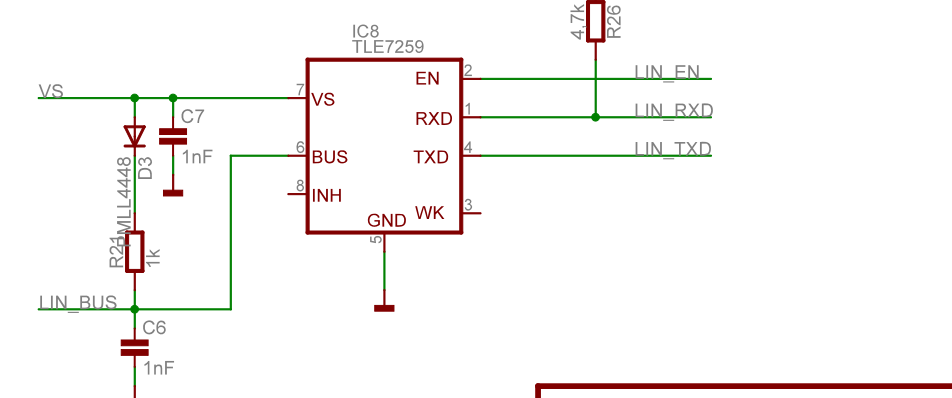
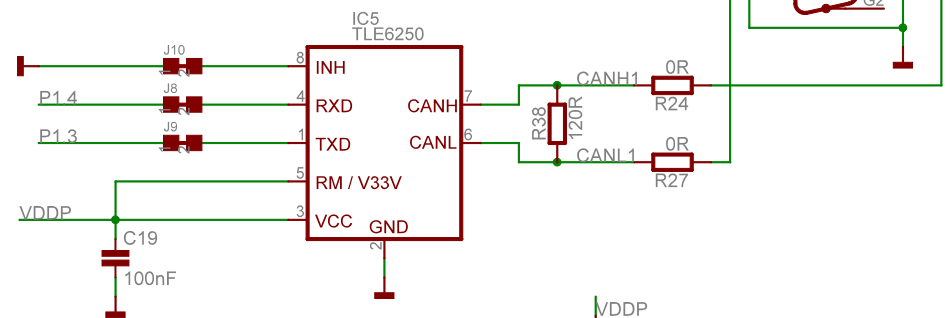
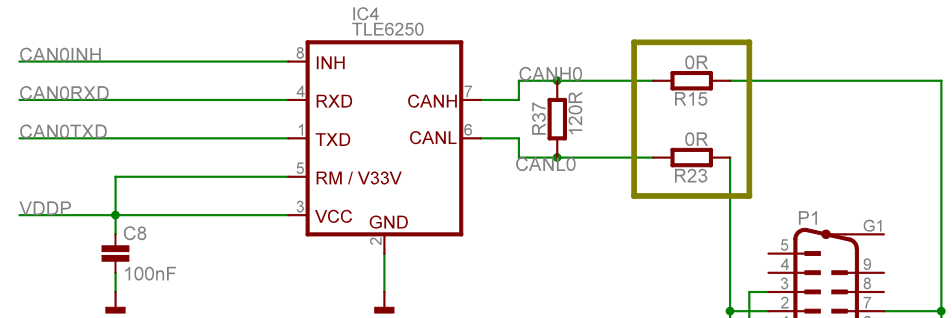
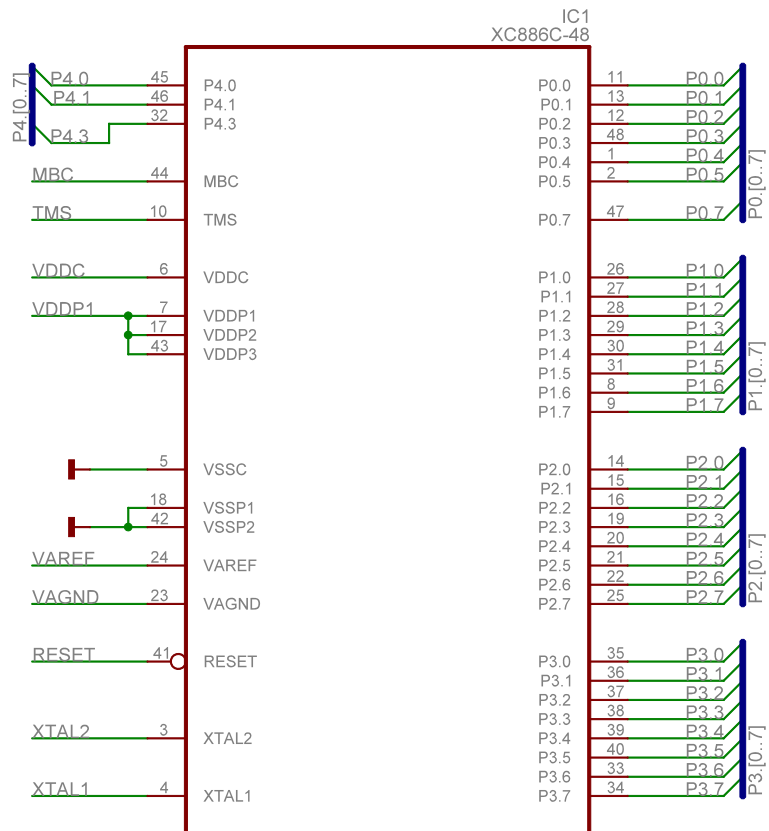
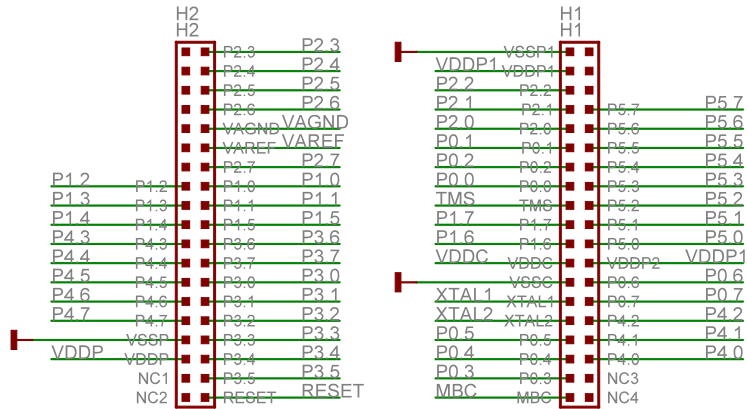
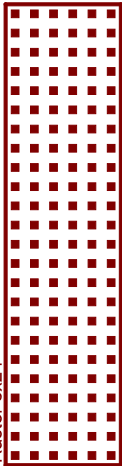


KEIL SOFTWARE

Project-Version: MCBXC88x-v30
 Date / Time: 28.02.2006 16:42:03
 Sheet: 2/3

Raster 6x24



KEIL SOFTWARE

Project-Version: MCBXC88x-v30
 Date / Time: 28.02.2006 16:42:03
 Sheet: 3/3