

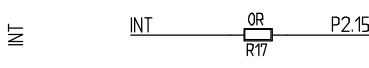
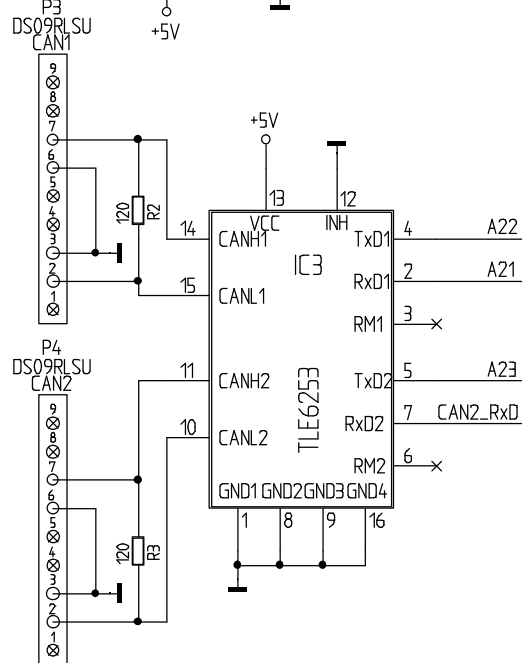
External Startup Configuration  
 SMOD (P0.2 - P0.5)  

P0.2	P0.3	P0.4	P0.5
R6	R10	D4	R12

 BTYP (P0.6 - P0.7)  

P0.6	P0.7
R37	R38

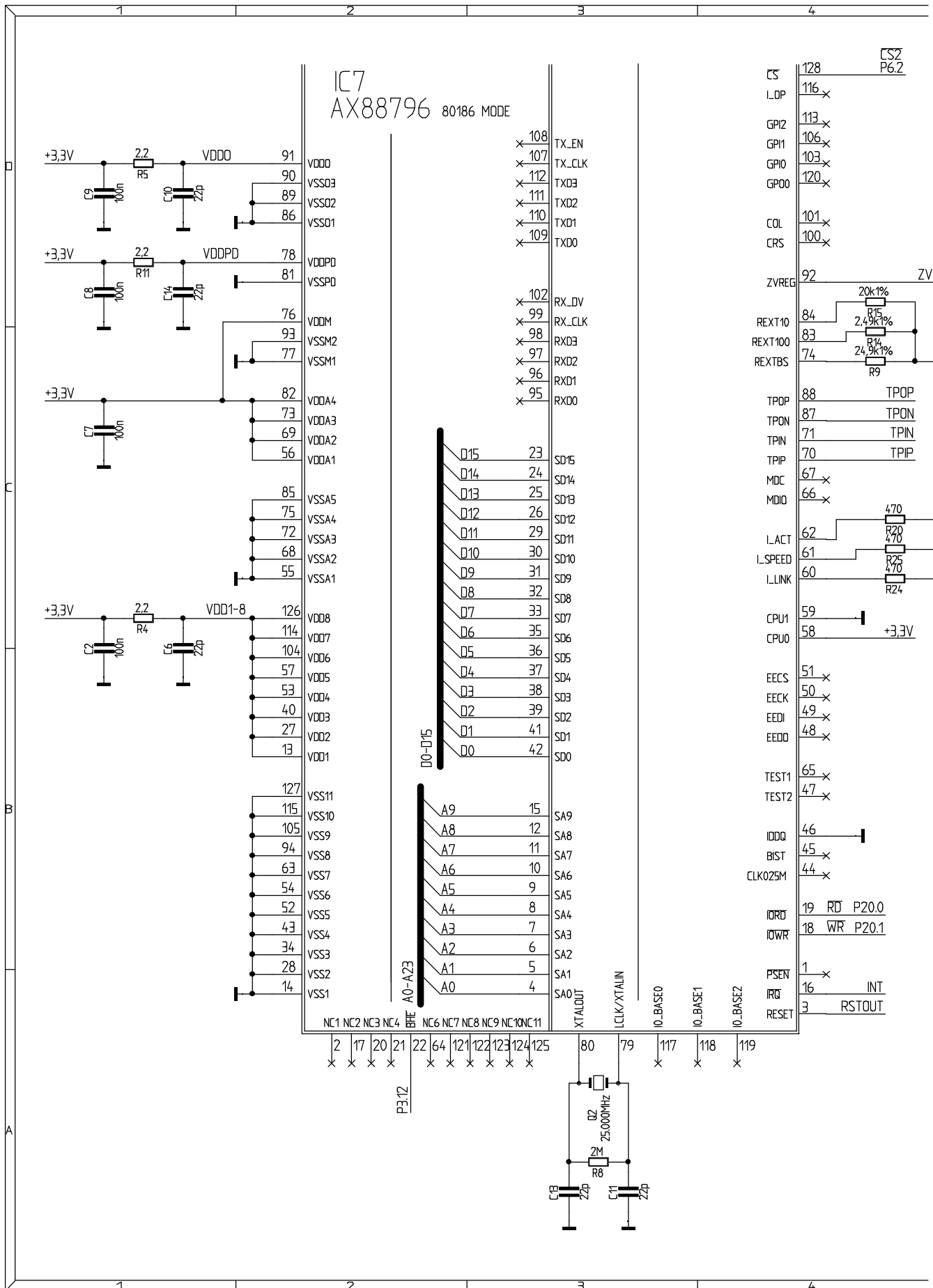
 ROC (P0.0)  
 ROC is configured via R40

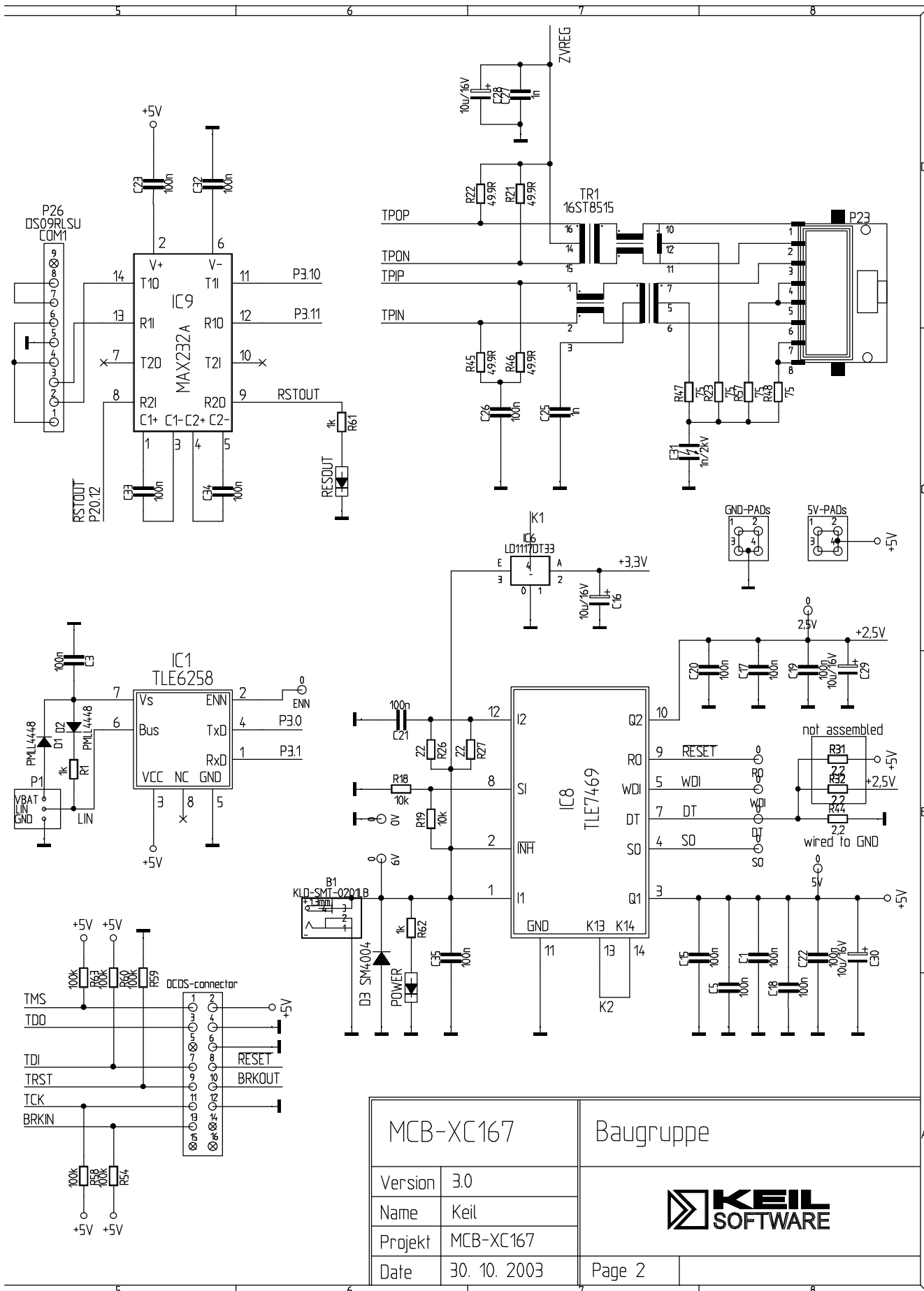


MCB-XC167	
Version	3.0
Name	Keil
Projekt	MCB-XC167
Date	30. 10. 2003

Baugruppe

Page 1





MCB-XC167		Baugruppe	
Version	3.0		
Name	Keil		
Projekt	MCB-XC167		
Date	30. 10. 2003		
		Page 2	

