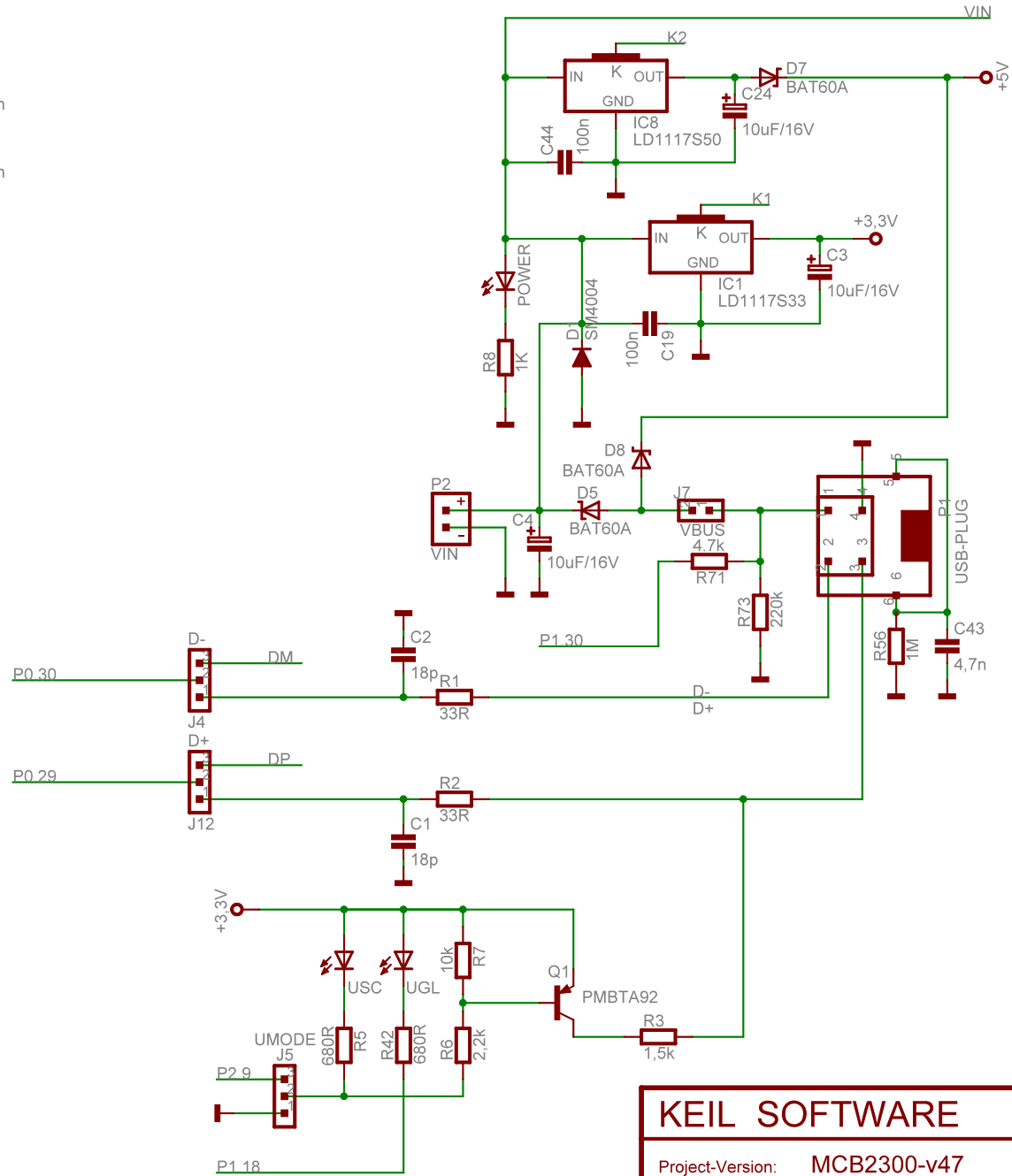
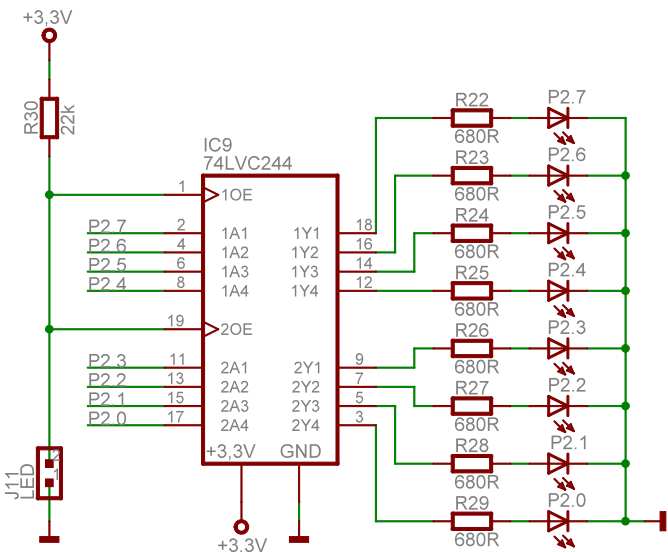
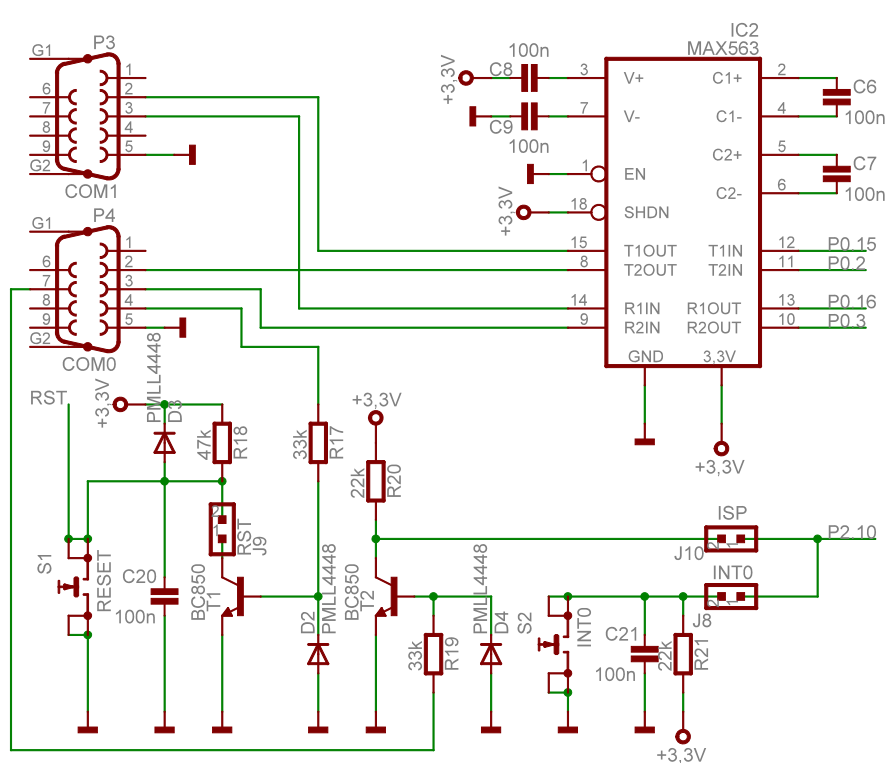


KEIL SOFTWARE

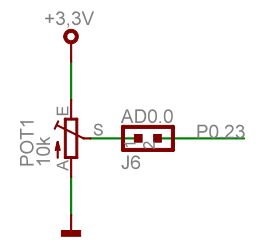
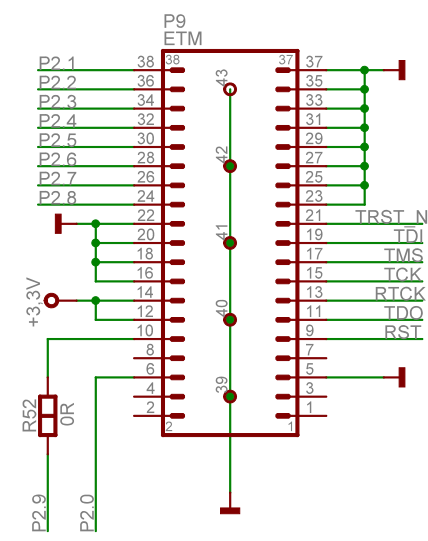
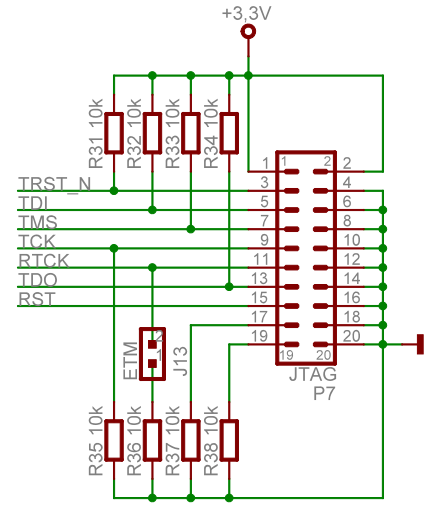
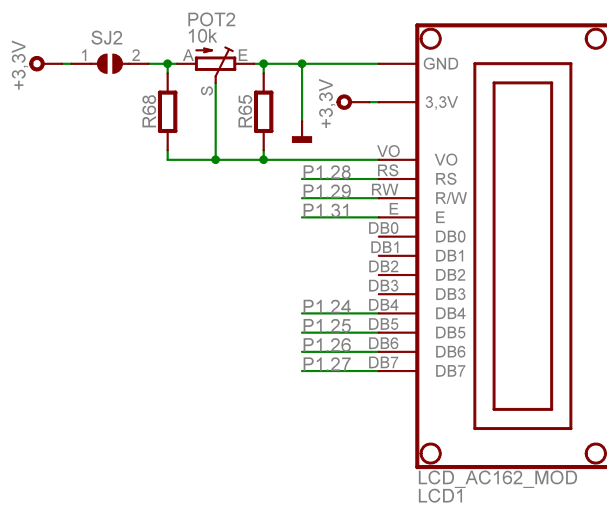
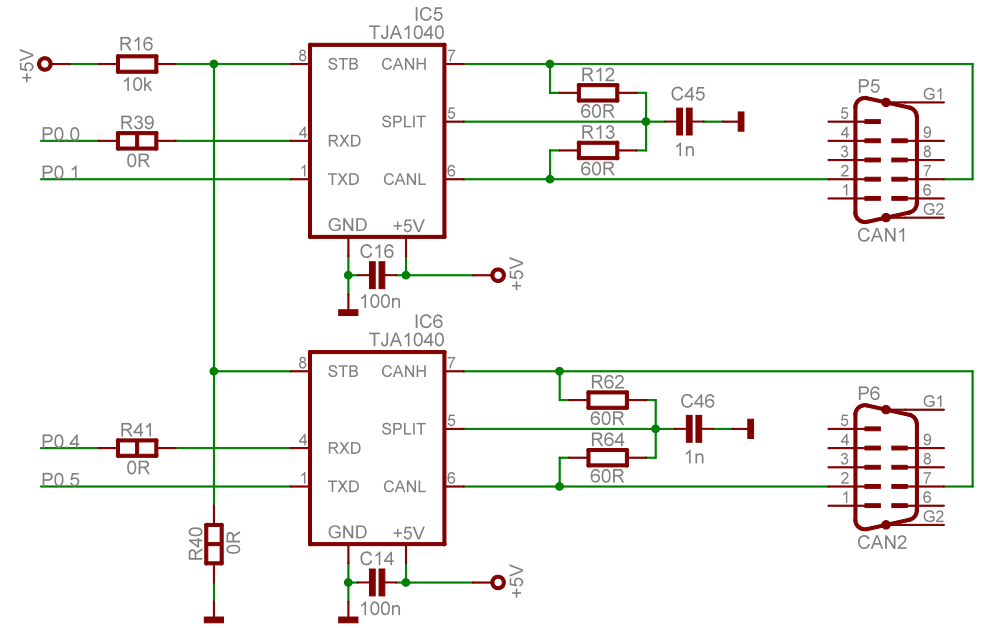
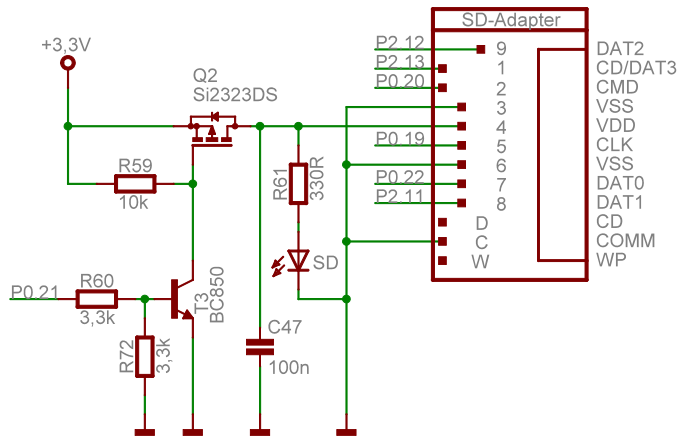
Project-Version: MCB2300-v47

Date / Time: 20.02.2008 11:14:54

Sheet: 1/8

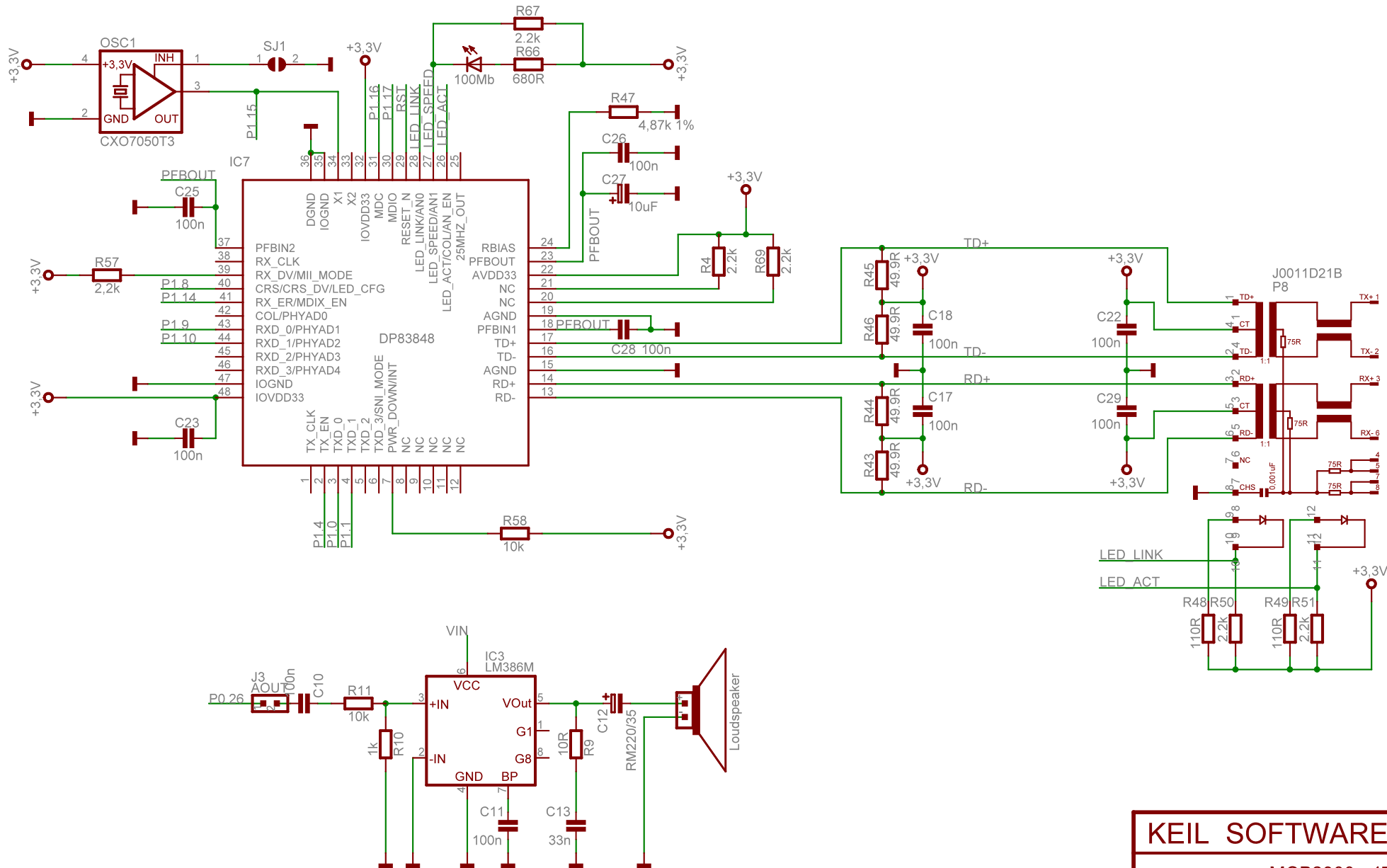


KEIL SOFTWARE	
Project-Version:	MCB2300-v47
Date / Time:	20.02.2008 11:14:54
Sheet:	2/8



KEIL SOFTWARE

Project-Version: MCB2300-v47
 Date / Time: 20.02.2008 11:14:54
 Sheet: 3/8



KEIL SOFTWARE	
Project-Version:	MCB2300-v47
Date / Time:	20.02.2008 11:14:54
Sheet:	4/8

IC10

LPC2368FBD100

LPC2387FDB100

TRST_N 4
TDI 2
TMS 3
TCK 5
RTCK 100
TDO 1
RST 17
RSTOUTN 14

TRST_N
TDI
TMS
TCK
RTCK
TDO
NRESET
RSTOUTN

VDDA 10

VDDA

VREFFA 12

VREFFA

DC-DC_3.3V_2 42

DC-DC_3.3V

84 CORE_3.3V

96 VDD_9

VDD_1-9 71

VDD_6

54 VDD_4

28 VDD_1

13 VDD

11 VSSA

83 CORE_VSS

41 CORE_VSS

GND 97

VSS_9

72 VSS_6

55 VSS_4

31 VSS_1

15 VSS

VBAT 19

VBAT

RTCX1 16

RTCX1

RTCX2 18

RTCX2

X1 22

X1

X2 23

X2

P1_0 95
P1_1 94
P1_1 93
P1_8 92
P1_9 91
P1_10 90
P1_14 89
P1_15 88

P1_16 87
P1_17 86
P1_18 32
P1_19 33
P1_20 34
P1_21 35
P1_22 36
P1_23 37

P1_24 38
P1_25 39
P1_26 40
P1_27 43
P1_28 44
P1_29 45
P1_30 21
P1_31 20

P2_0 75
P2_1 74
P2_2 73
P2_3 70
P2_4 69
P2_5 68
P2_6 67
P2_7 66

P2_8 65
P2_9 64
P2_10 53
P2_11 52
P2_12 51
P2_13 50

P3_25 27
P3_26 26

P1.0/ENET-TXD0
P1.1/ENET-TXD1
P1.4/ENET-TX_EN
P1.8/ENET_CRS
P1.9/ENET_RXD0
P1.10/ENET_RXD1
P1.14/ENET-RX_ER
P1.15/ENET-RX_CLK

P1.16/ENET-MDC
P1.17/ENET-MDIO
P1.18/LED-AN/PWM1.1/CAP1.0
P1.19/TX_E-AN/PORT_PWR-AN/CAP1.1
P1.20/TX_DP-A/PWM1.2/SCK0
P1.21/TX_DM-A/PWM1.3/SSEL0
P1.22/RCV-A/PWRD-AN/MAT1.0
P1.23/RX_DP-A/PWM1.4/MISO0

P1.24/RX_DM-A/PWM1.5/MOSI0
P1.25/LOW_SP-A/HOST_EN-AN/MAT1.1
P1.26/SUSPEND-A/PWM1.6/CAP0.0
P1.27/INT-AN/OVR_CRNT-AN/CAP0.1
P1.28/SCL-A/PCAP1.0/MAT0.0
P1.29/SDA-A/PCAP1.1/MAT0.1
P1.30/PWRD-BN/BUS-B/AD0.7
P1.31/OVR_CRNT-BN/SCK1/AD0.5

P2.0/PWM1.1/TXD1/TRACECLK
P2.1/PWM1.2/RXD1/PIPESTAT0
P2.2/PWM1.3/CTS1/PIPESTAT1
P2.3/PWM1.4/DCD1/PIPESTAT2
P2.4/PWM1.5/DSR1/TRACESYNC
P2.5/PWM1.6/DTR1/TRACEPKT0
P2.6/PCAP1.0/R11/TRACEPKT1
P2.7/CAN_RX2/RTS1/TRACEPKT2

P2.8/CAN_TX2/TXD2/TRACEPKT3
P2.9/RXD2/EXTIN0
P2.10/EINT0N
P2.11/EINT1N/MCIDAT1/I2STX_CLK
P2.12/EINT2N/MCIDAT2/I2STX_WS
P2.13/EINT3N/MCIDAT3/I2STX_SDA

P0.0/CAN_RX1/TXD3/SDA1
P0.1/CAN_TX1/RXD3/SCL1
P0.2/TXD0
P0.3/RXD0
P0.4/I2SRX_CLK/CAN_RX2/CAP2.0
P0.5/I2SRX_WS/CAN_TX2/CAP2.1
P0.6/I2SRX_SDA/SSEL1/MAT2.0
P0.7/I2STX_CLK/SCK1/MAT2.1

P0.8/I2STX_WS/MISO1/MAT2.2
P0.9/I2STX_SDA/MOSI1/MAT2.3
P0.10/TXD2/SDA2/MAT3.0
P0.11/RXD2/SCL2/MAT3.1

P0.15/TXD1/SCK0/SCK

P0.16/RXD1/SSEL0/SSEL
P0.17/CTS1/MISO0/MISO
P0.18/DCD1/MOSI0/MOSI1
P0.19/DSR1/MCICLK/SDA1
P0.20/DTR1/MCICMD/SCL1
P0.21/R11/MCIPWR/CAN_RX1
P0.22/RTS1/MCIDAT0/CAN_TX1
P0.23/AD0.0/I2SRX_CLK/CAP3.0

P0.24/AD0.1/I2SRX_WS/CAP3.1
P0.25/AD0.2/I2SRX_SDA/TXD3
P0.26/AD0.3/AOUT/RXD3
P0.27/SDA0
P0.28/SCL0
P0.29/USBDA+A
P0.30/USBDA-A

P4.28/BLS2/MAT2.0/TXD3
P4.29/BLS3/MAT2.1/RXD3

46 P0_0
47 P0_1
98 P0_2
99 P0_3
81 P0_4
80 P0_5
79 P0_6
78 P0_7

77 P0_8
76 P0_9
48 P0_10
49 P0_11

62 P0_15

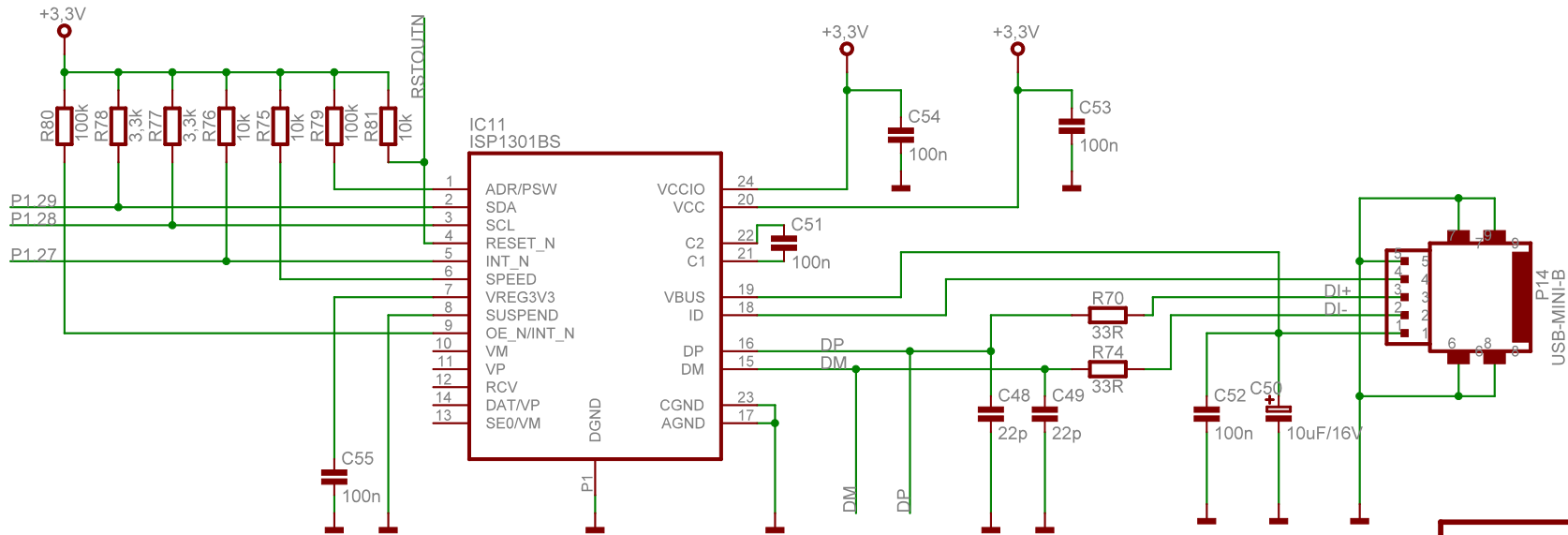
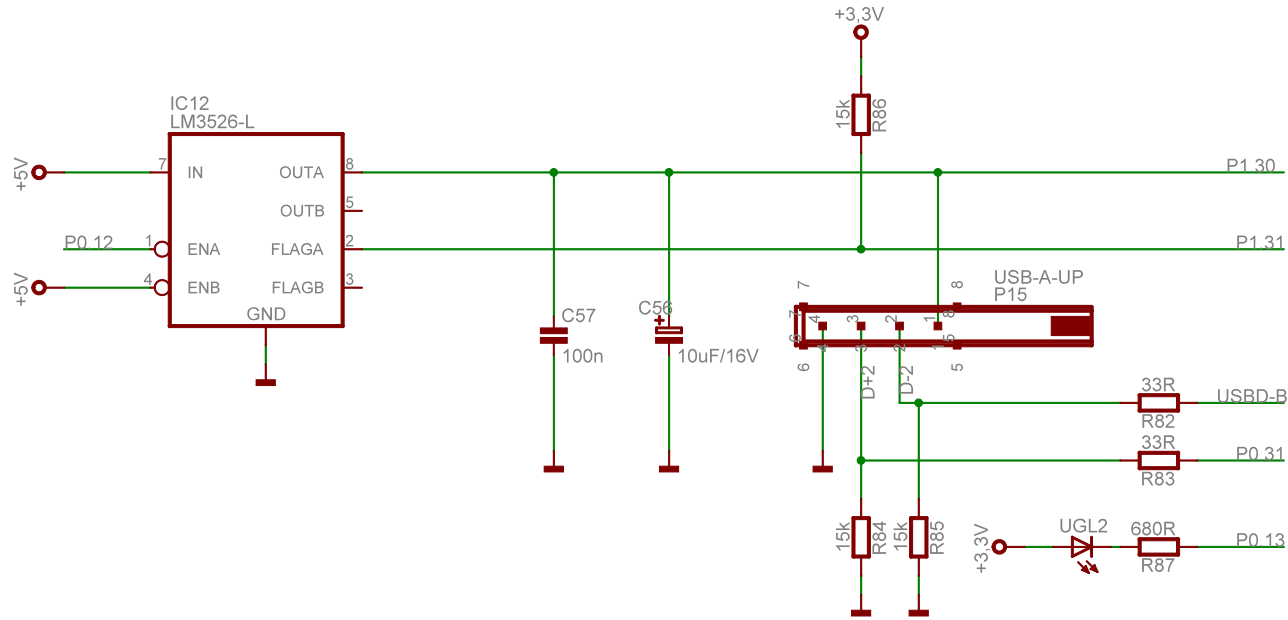
63 P0_16
61 P0_17
60 P0_18
59 P0_19
58 P0_20
57 P0_21
56 P0_22
9 P0_23

8 P0_24
7 P0_25
6 P0_26
25 P0_27
24 P0_28
29 P0_29
30 P0_30

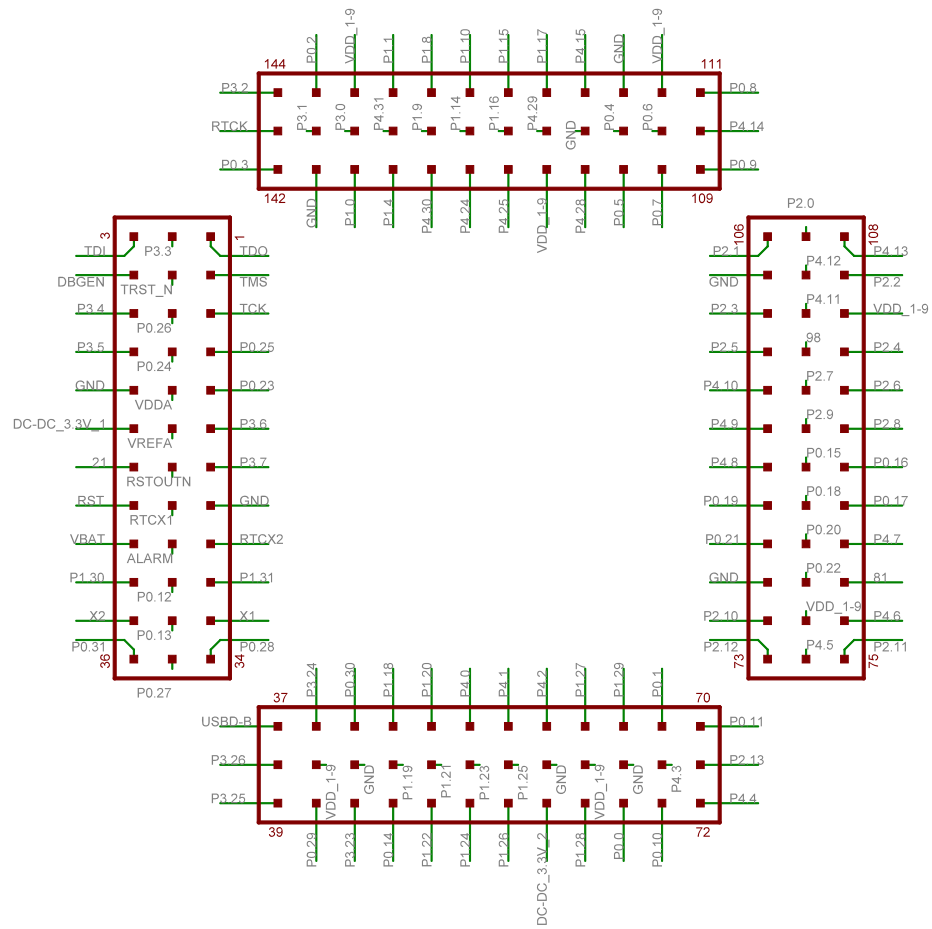
82 P4_28
85 P4_29

KEIL SOFTWARE

Project-Version: MCB2300-v47
Date / Time: 20.02.2008 11:14:54
Sheet: 5/8



KEIL SOFTWARE	
Project-Version:	MCB2300-v47
Date / Time:	20.02.2008 11:14:54
Sheet:	6/8



KEIL SOFTWARE

Project-Version: MCB2300-v47
 Date / Time: 20.02.2008 11:14:54
 Sheet: 7/8

