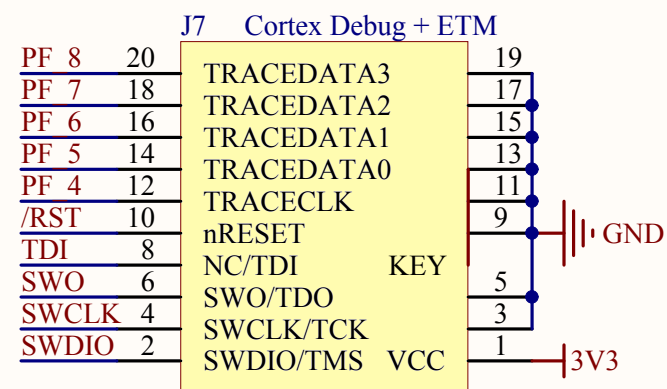
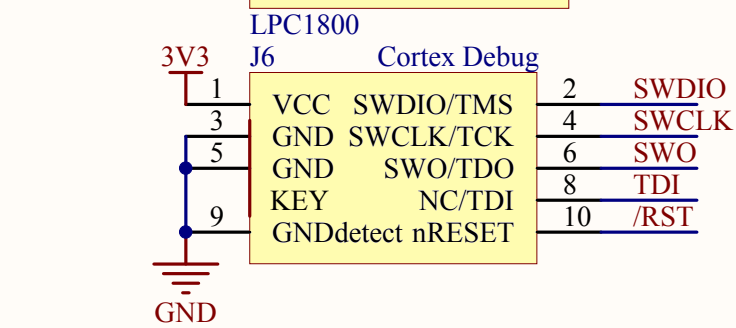
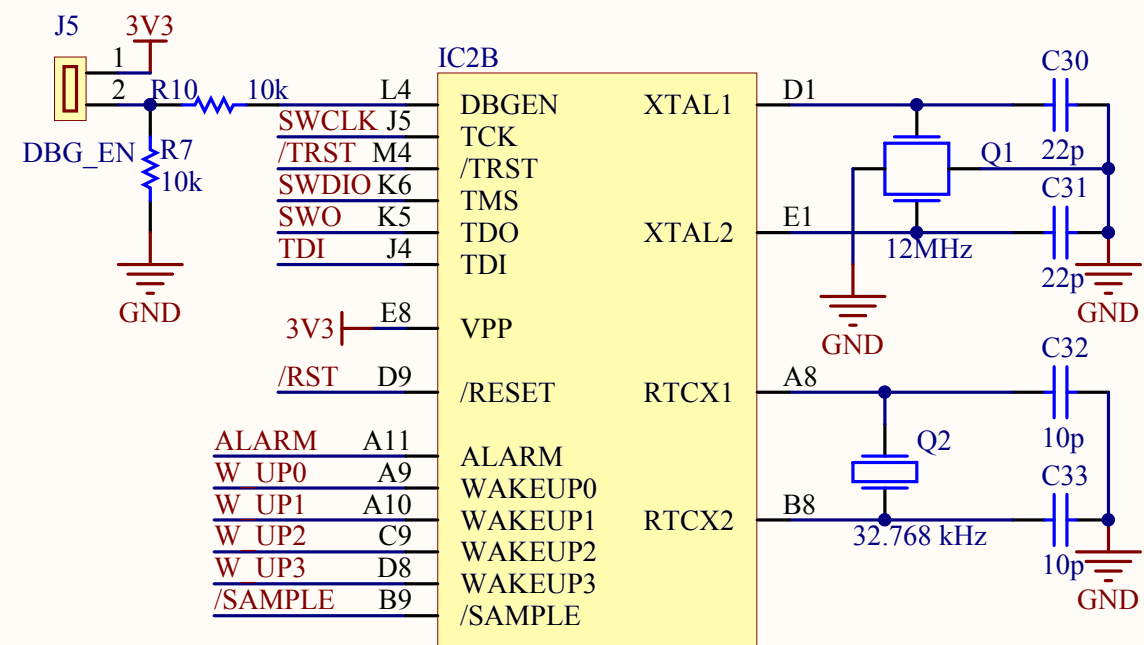
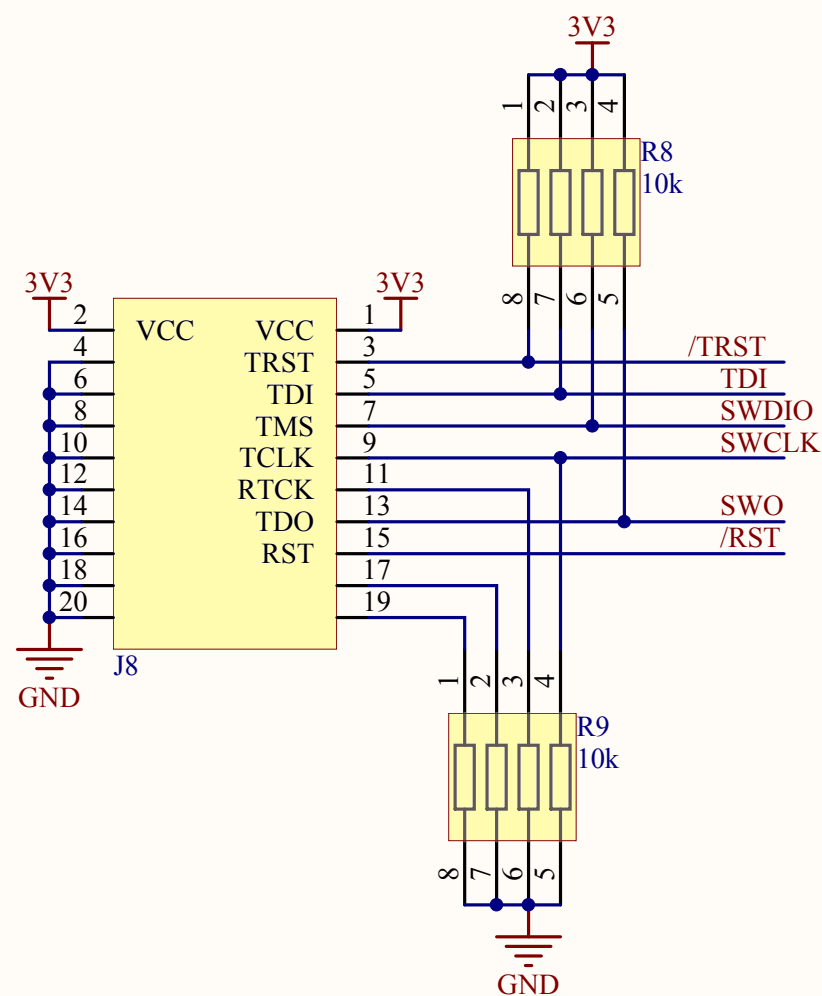
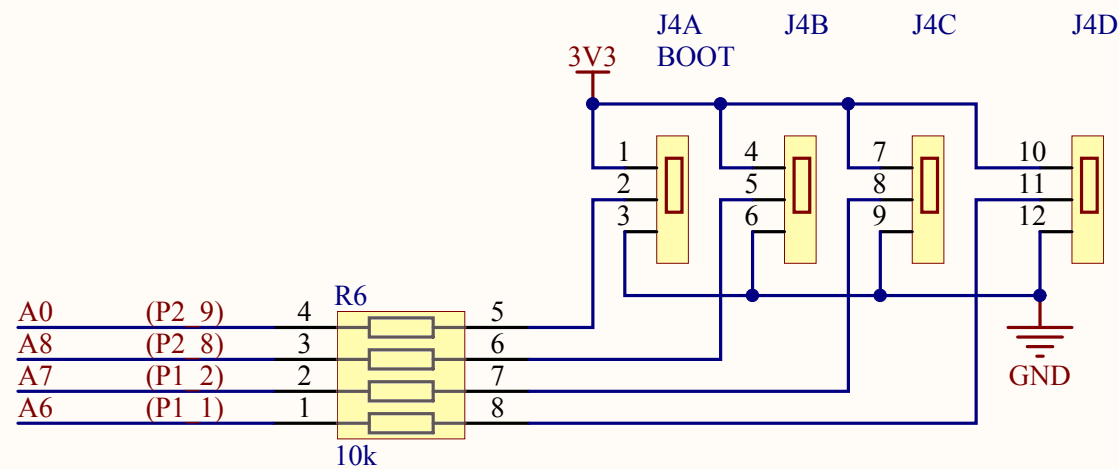


MCB1800/4300

Power.SchDoc	Revision: 1.2
Size: A4	Sheet 1 of 12
Date: 2/13/2012	Web: www.keil.com





MCB1800/4300


Debug.SchDoc
Size: A4
Date: 2/13/2012

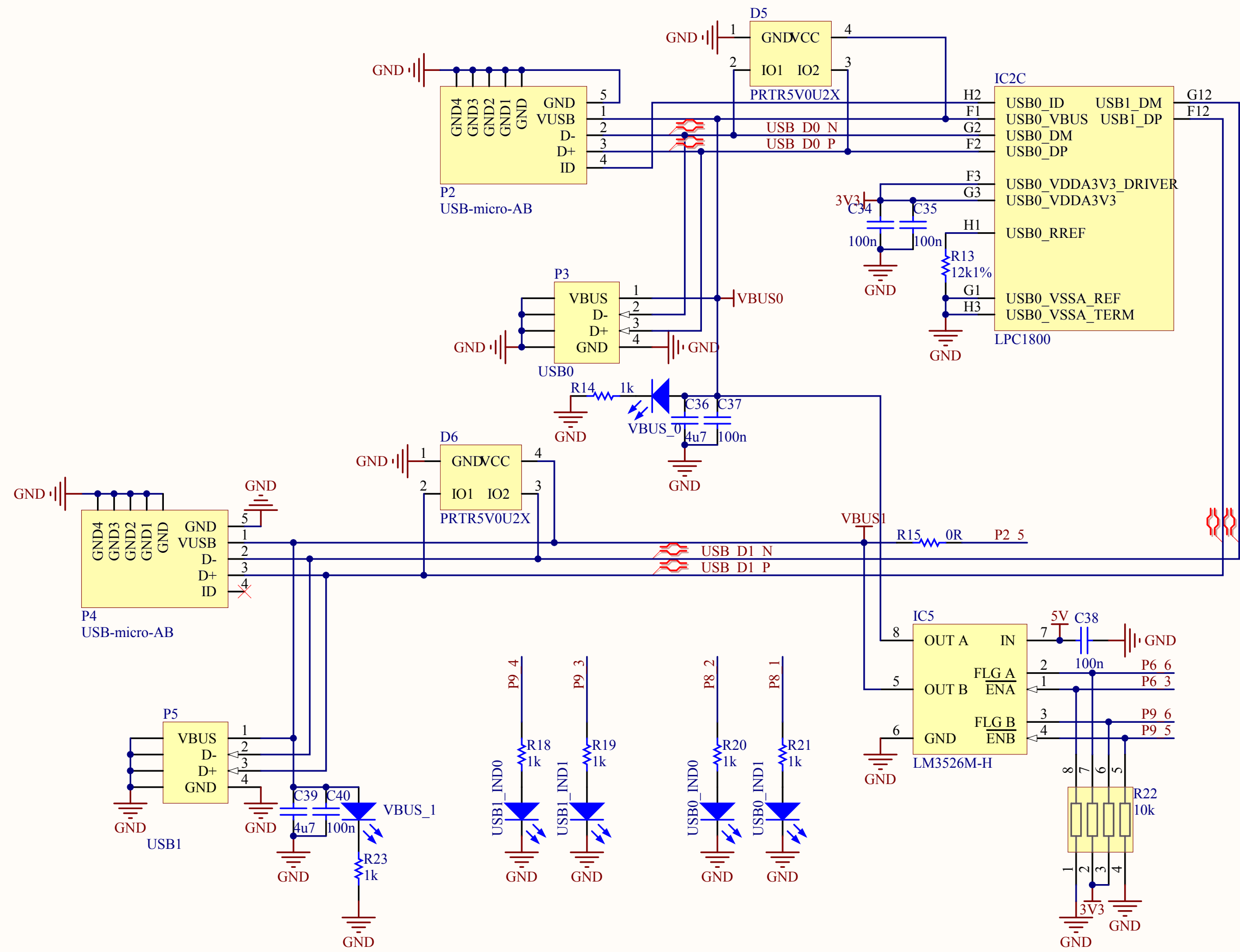
Revision: 1.2
Sheet 2 of 12
Web: www.keil.com



IC2E		LPC1800	
A5	P2	P1_0	P5_0
A6	R2	P1_1	P5_1
A7	R3	P1_2	P5_2
/OE	P5	P1_3	P5_3
P1_4	T3	P1_4	P5_4
/CS0	R5	P1_5	P5_5
/WE	T4	P1_6	P5_6
D0	T5	P1_7	P5_7
D1	R7	P1_8	
D2	T7	P1_9	P6_0
D3	R8	P1_10	P6_1
D4	T9	P1_11	P6_2
D5	R9	P1_12	P6_3
D6	R10	P1_13	P6_4
D7	R11	P1_14	P6_5
P1_15	T12	P1_15	P6_6
P1_16	M7	P1_16	P6_7
P1_17	M8	P1_17	P6_8
P1_18	N12	P1_18	P6_9
P1_19	M11	P1_19	P6_10
P1_20	M10	P1_20	P6_11
			P6_12
A13	T16	P2_0	
A12	N15	P2_1	P7_0
A11	M15	P2_2	P7_1
P2_3	J12	P2_3	P7_2
P2_4	K11	P2_4	P7_3
P2_5	K14	P2_5	P7_4
A10	K16	P2_6	P7_5
A9	H14	P2_7	P7_6
A8	J16	P2_8	P7_7
A0	H16	P2_9	
A1	G16	P2_10	P8_0
A2	F16	P2_11	P8_1
A3	E15	P2_12	P8_2
A4	C16	P2_13	P8_3
			P8_4
AUD BCKI	F13	P3_0	P8_5
P3_1	G11	P3_1	P8_6
P3_2	F11	P3_2	P8_7
SPIFI SCK	B14	P3_3	P8_8
SPIFI IO3	A15	P3_4	
SPIFI IO2	C12	P3_5	P9_0
SPIFI IO1	B13	P3_6	P9_1
SPIFI IO0	C11	P3_7	P9_2
SPIFI /CS	C10	P3_8	P9_3
			P9_4
P4_0	D5	P4_0	P9_5
LCD VD19	A1	P4_1	P9_6
LCD VD3	D3	P4_2	
P4_3	C2	P4_3	
P4_4	B1	P4_4	
LCD VSYNC	D2	P4_5	
LCD EN	C1	P4_6	P0_0
LCD DOTCLK	H4	P4_7	P0_1
P4_8	E2	P4_8	
LCD VD11	L2	P4_9	
LCD VD10	M3	P4_10	

IC2D		LPC1800	
PA_0	L12	PA_0	PD_0
PA_1	J14	PA_1	PD_1
PA_2	K15	PA_2	PD_2
PA_3	H11	PA_3	PD_3
A23	G13	PA_4	PD_4
			PD_5
LCD VD23	B15	PB_0	PD_6
LCD VD22	A14	PB_1	PD_7
LCD VD21	B12	PB_2	PD_8
LCD VD20	A13	PB_3	PD_9
LCD VD15	B11	PB_4	PD_10
LCD VD14	A12	PB_5	PD_11
LCD VD13	A6	PB_6	PD_12
			PD_13
PC_0	D4	PC_0	PD_14
PC_1	E4	PC_1	PD_15
PC_2	F6	PC_2	PD_16
PC_3	F5	PC_3	
PC_4	F4	PC_4	PE_0
PC_5	G4	PC_5	PE_1
PC_6	H6	PC_6	PE_2
PC_7	G5	PC_7	PE_3
PC_8	N4	PC_8	PE_4
PC_9	K2	PC_9	PE_5
PC_10	M5	PC_10	PE_6
PC_11	L5	PC_11	PE_7
PC_12	L6	PC_12	PE_8
PC_13	M1	PC_13	PE_9
PC_14	N1	PC_14	PE_10
			PE_11
PF_0	D12	PF_0	PE_12
PF_1	E11	PF_1	PE_13
PF_2	D11	PF_2	PE_14
PF_3	E10	PF_3	PE_15
PF_4	D10	PF_4	
PF_5	E9	PF_5	
PF_6	E7	PF_6	ADC0
PF_7	B7	PF_7	ADC1
PF_8	E6	PF_8	ADC2
PF_9	D6	PF_9	ADC3
PF_10	A3	PF_10	ADC4
PF_11	A2	PF_11	ADC5
			ADC6
CLK0	N5	CLK0	ADC7
CLK1	T10	CLK1	
CLK2	D14	CLK2	SCL
CLK3	P12	CLK3	SDA

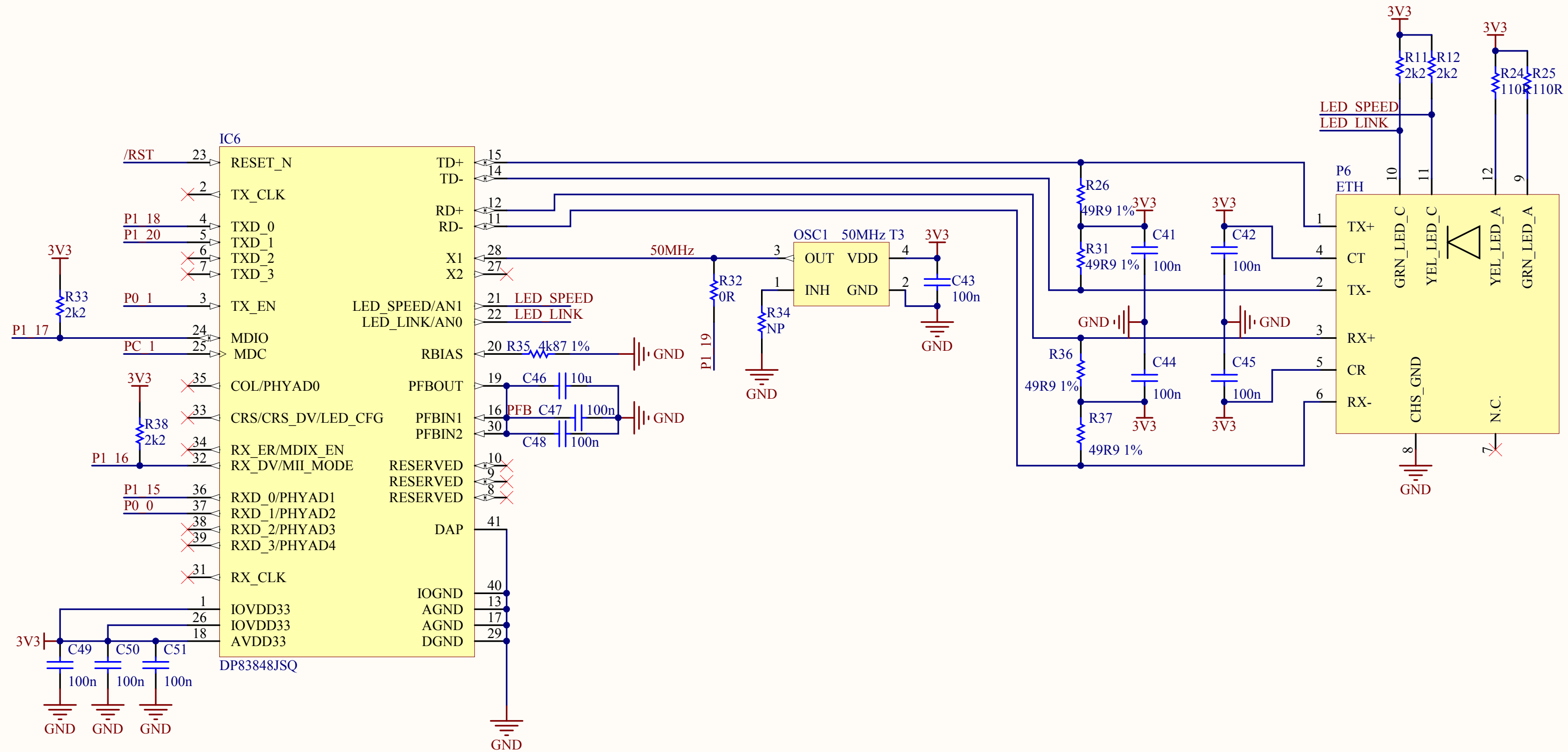
MCB1800/4300		
uC.SchDoc	Revision: 1.2	
Size: A4	Sheet 3 of 12	
Date: 2/13/2012	Web: www.keil.com	



MCB1800/4300

USB.SchDoc	Revision: 1.2
Size: A4	Sheet 4 of 12
Date: 2/13/2012	Web: www.keil.com

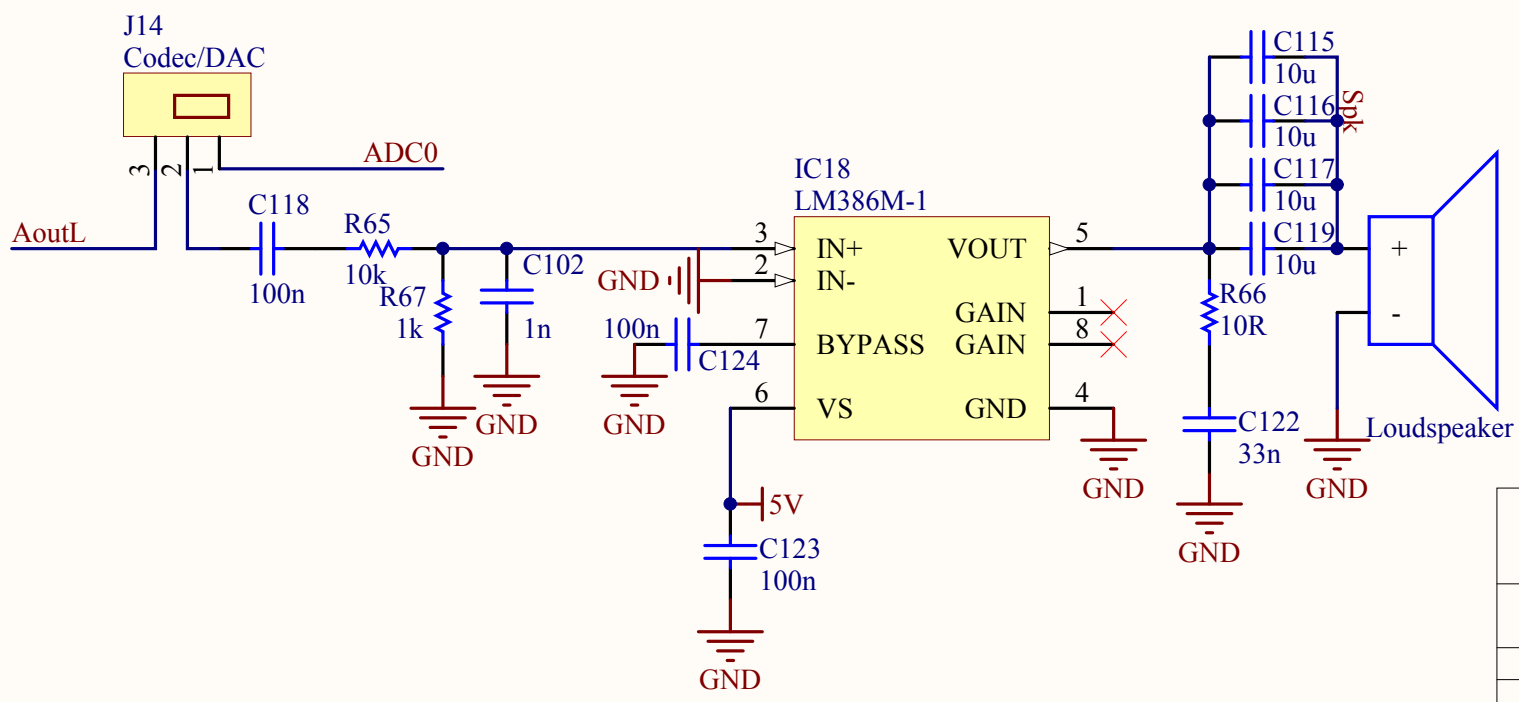
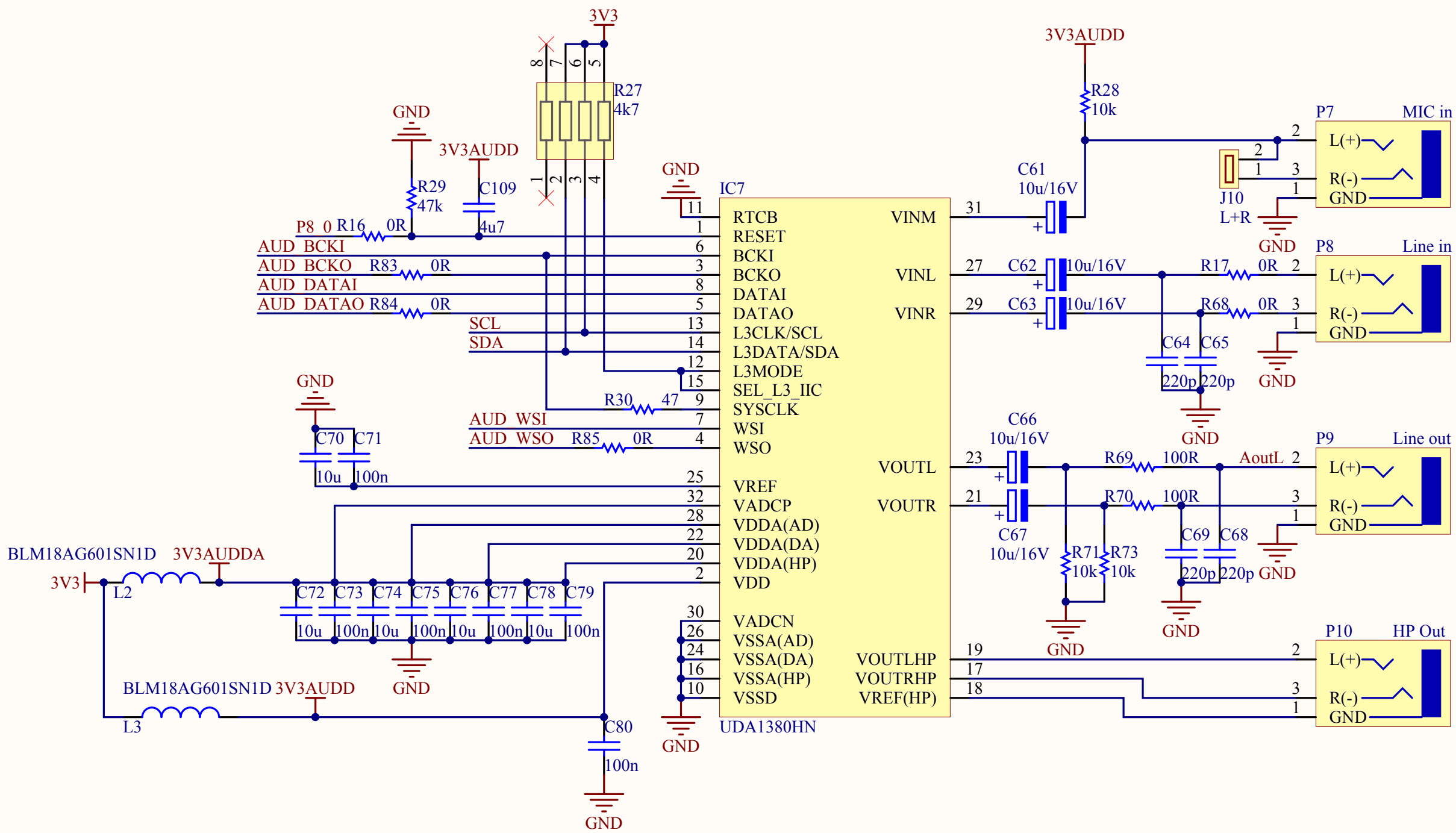




MCB1800/4300

Ethernet.SchDoc	Revision: 1.2
Size: A4	Sheet 5 of 12
Date: 2/13/2012	Web: www.keil.com

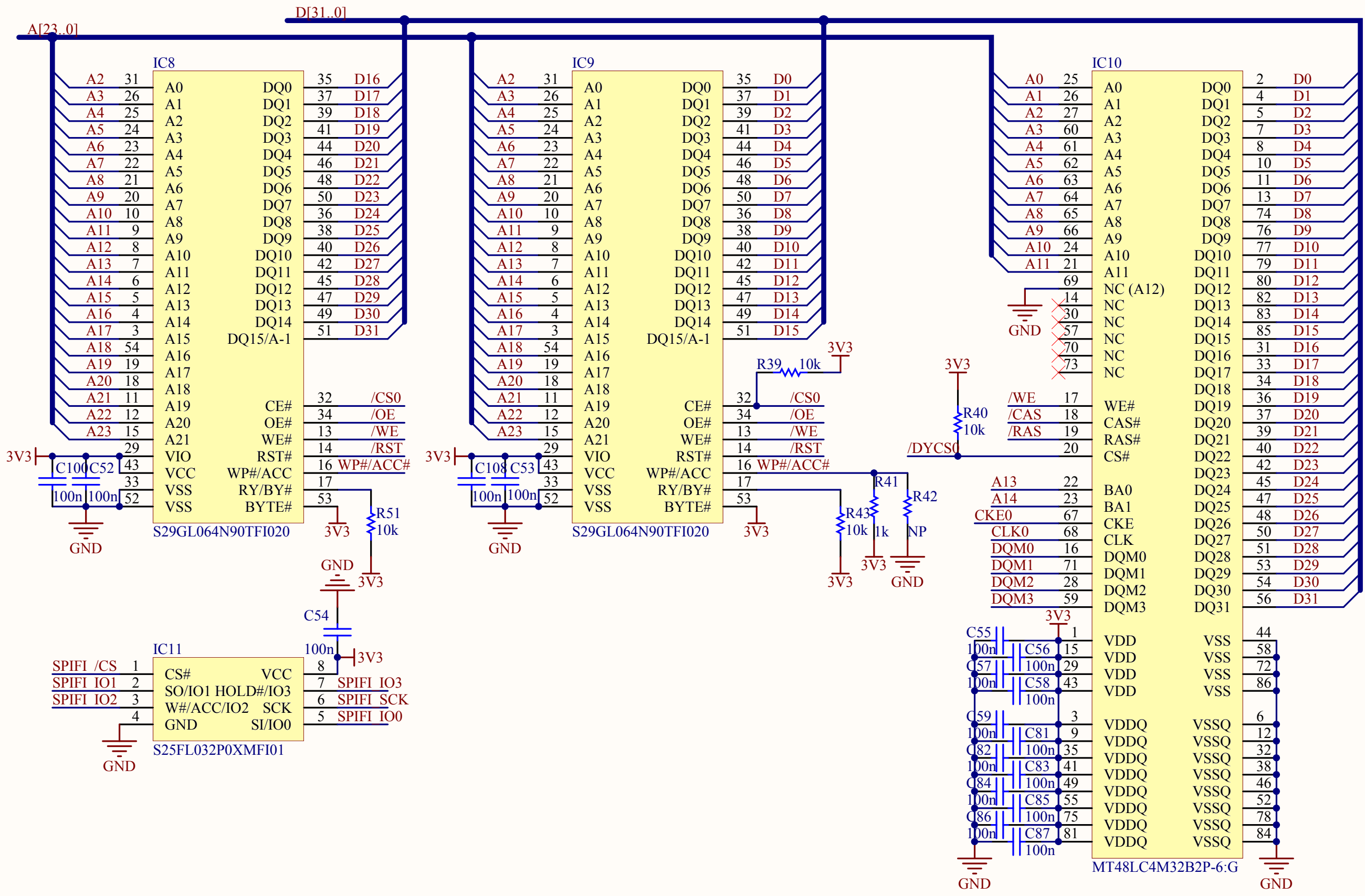




MCB1800/4300

Audio.SchDoc	Revision: 1.2
Size: A4	Sheet 6 of 12
Date: 2/13/2012	Web: www.keil.com

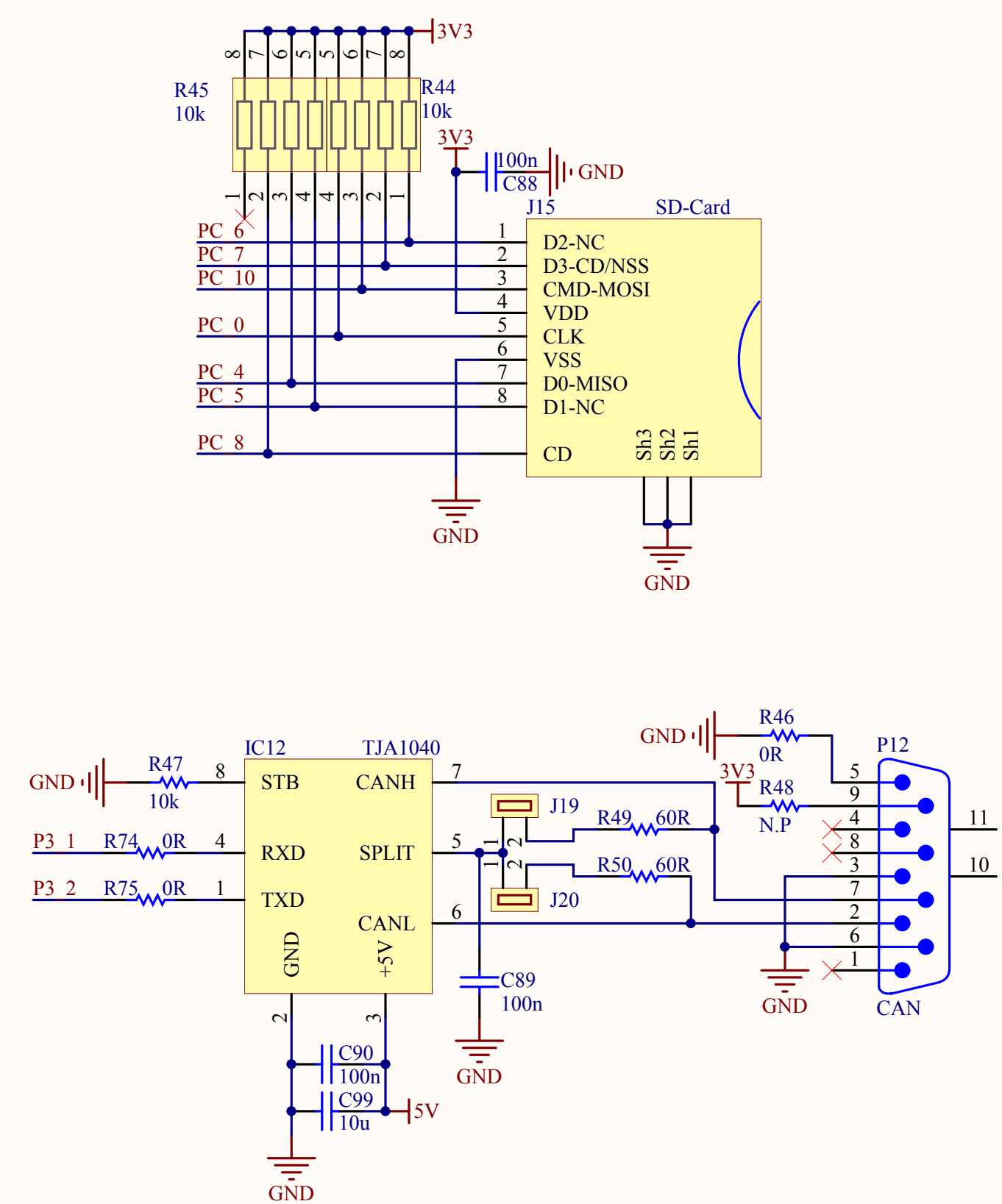
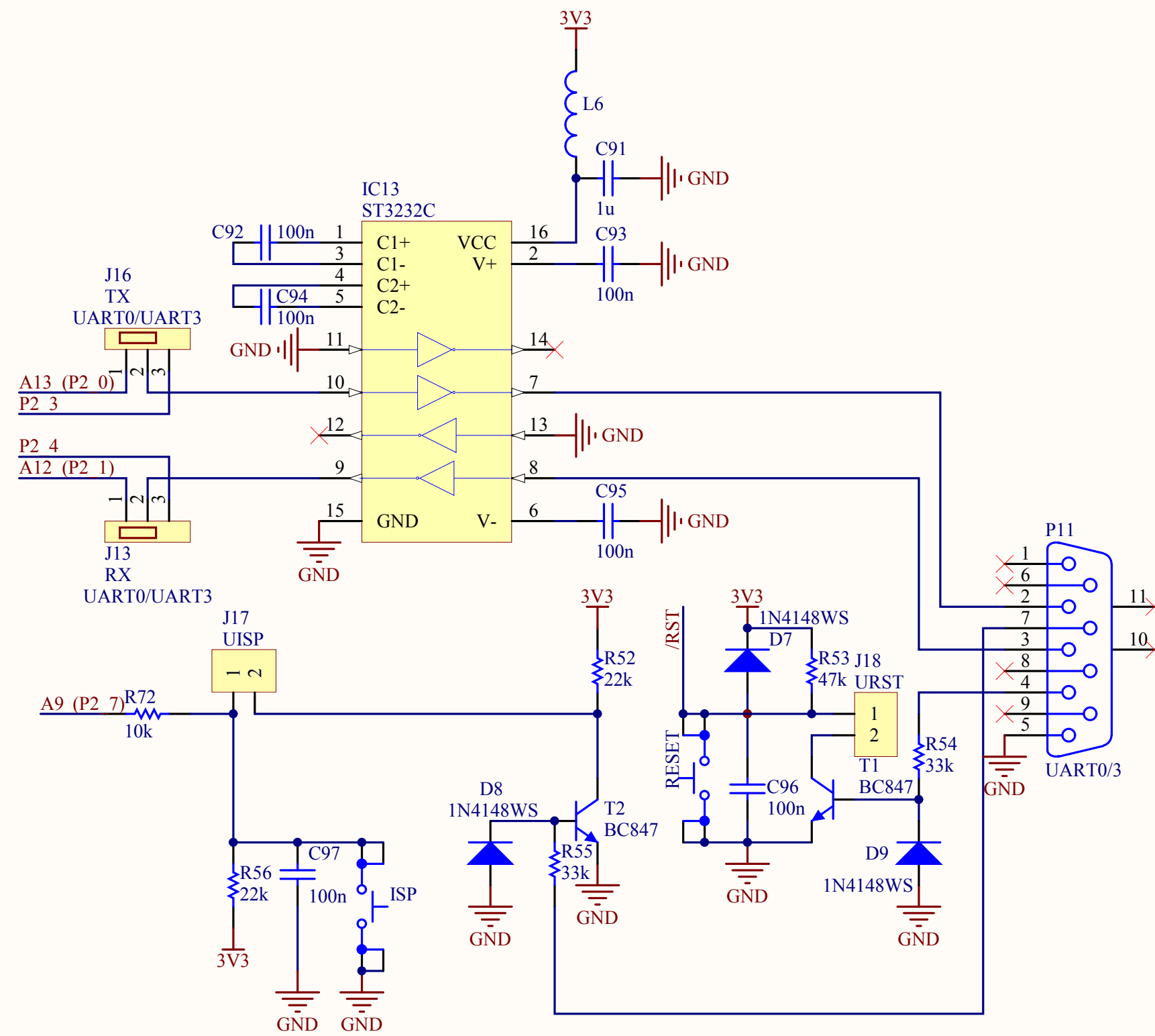




MCB1800/4300

Memory.SchDoc	Revision: 1.2
Size: A4	Sheet 7 of 12
Date: 2/13/2012	Web: www.keil.com

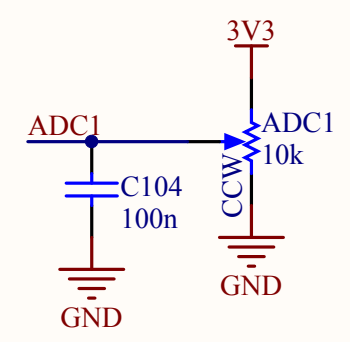
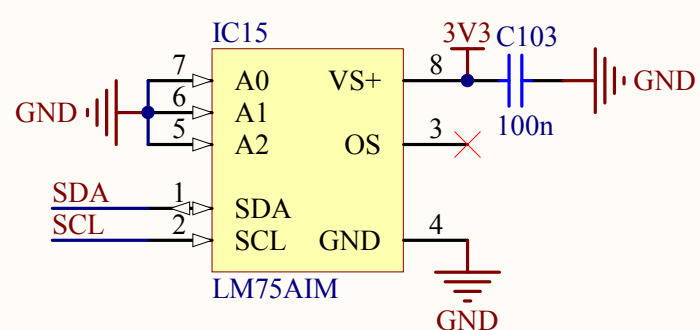
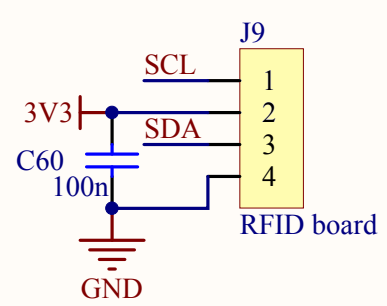
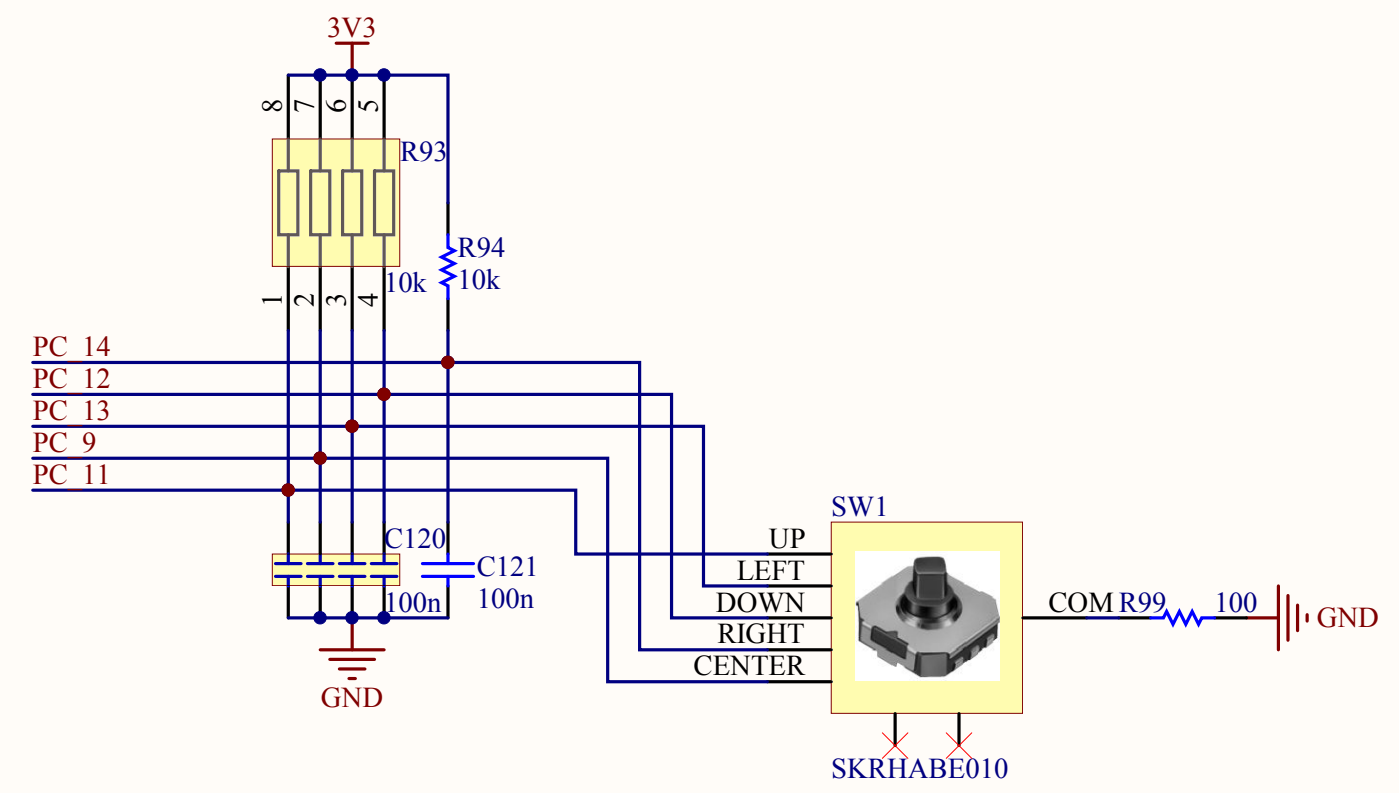
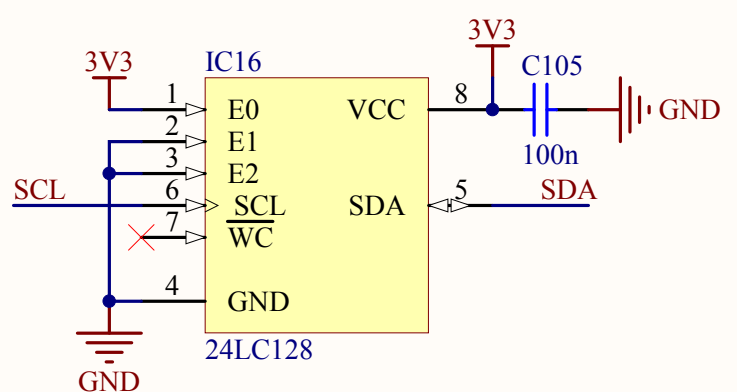
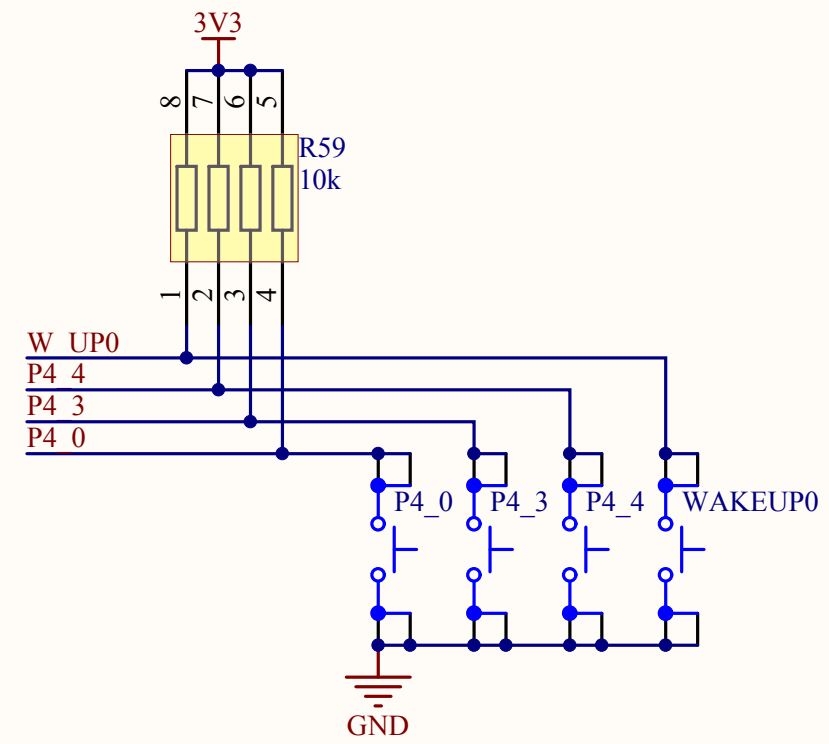
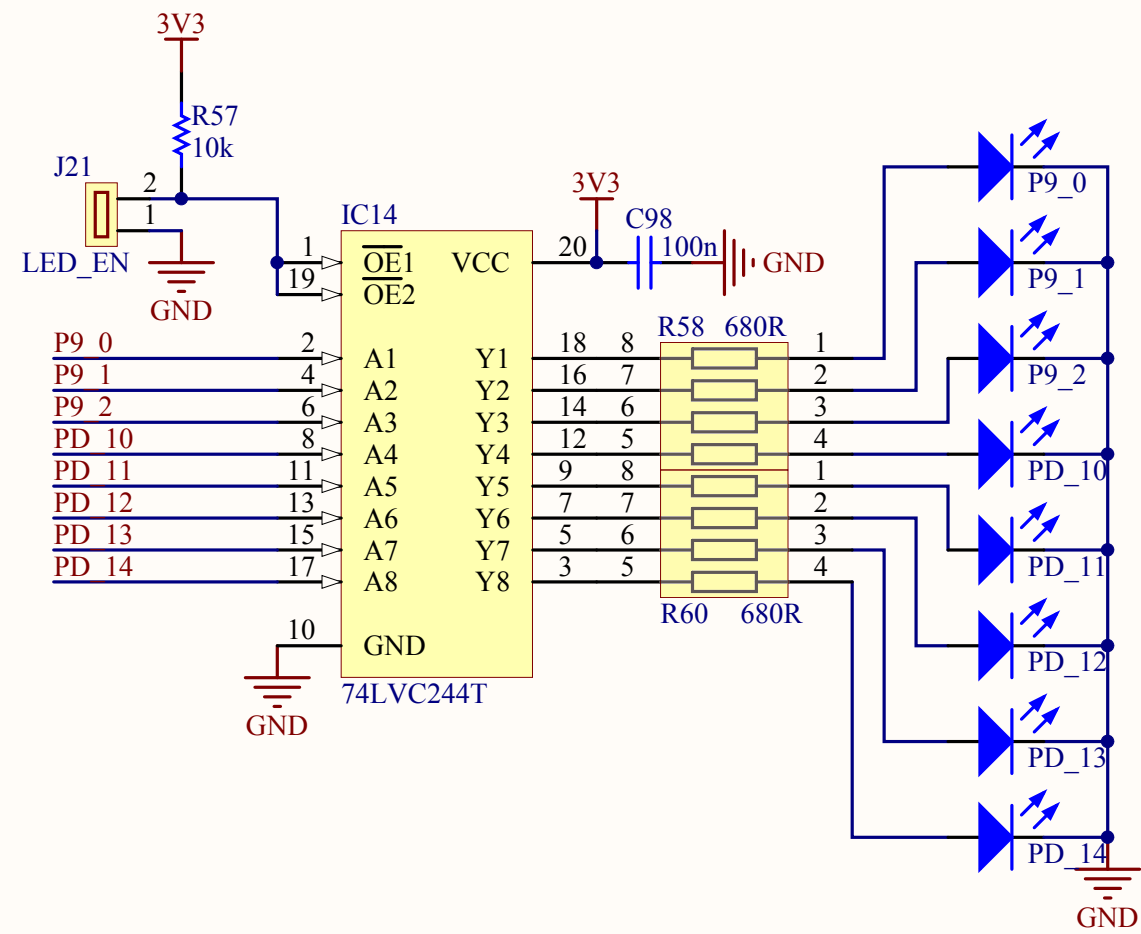




MCB1800/4300

SD - CAN - RS232.SchDoc	Revision: 1.2
Size: A4	Sheet 8 of 12
Date: 2/13/2012	Web: www.keil.com

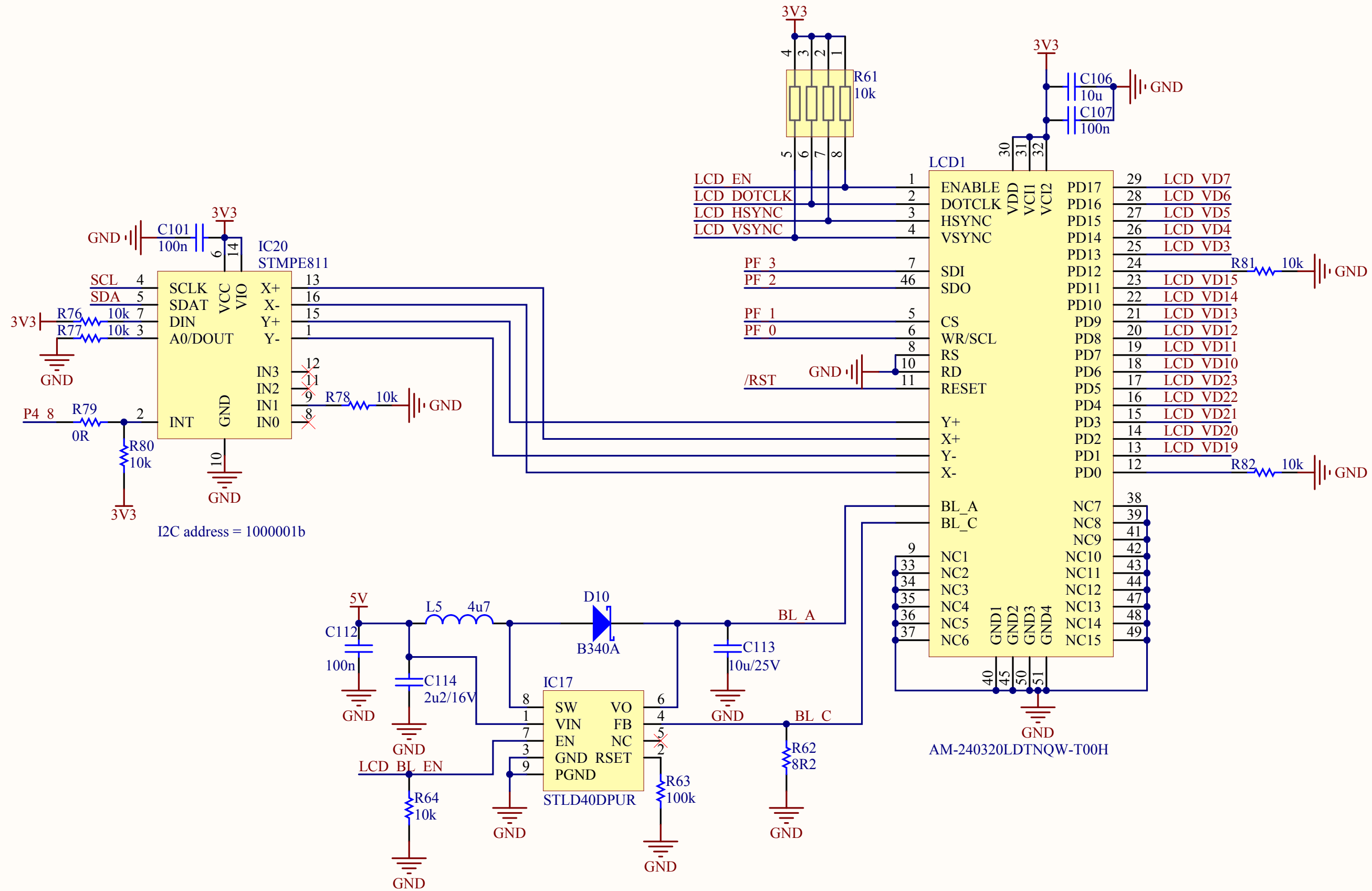




MCB1800/4300

LED - SWITCH -TEMP.SchDoc	Revision: 1.2
Size: A4	Sheet 9 of 12
Date: 2/13/2012	Web: www.keil.com

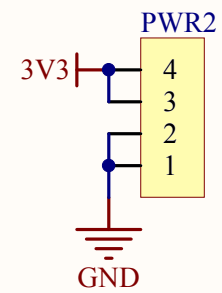
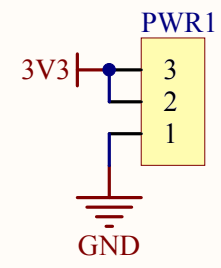
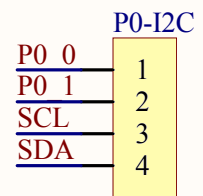
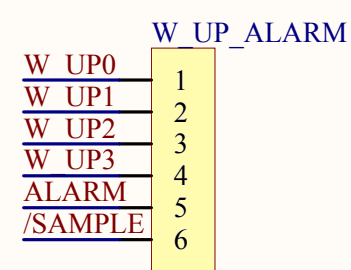
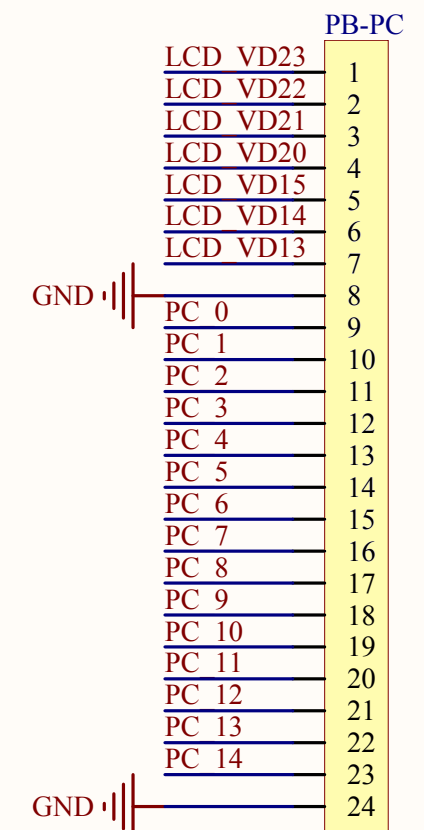
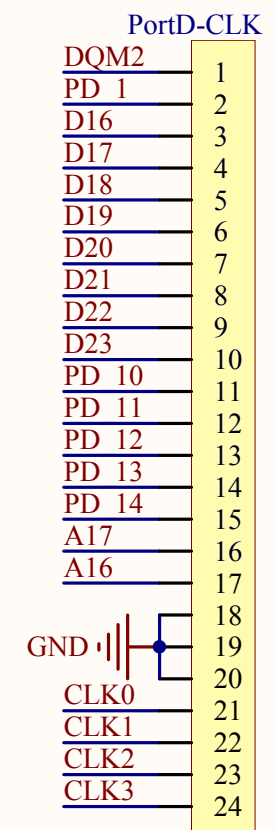
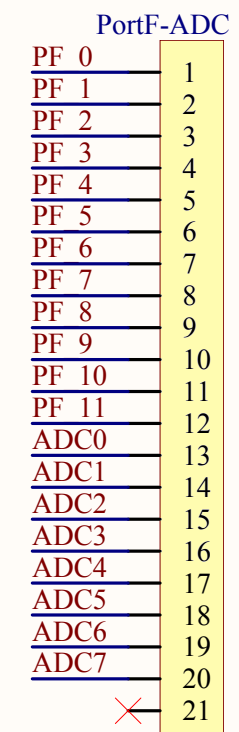
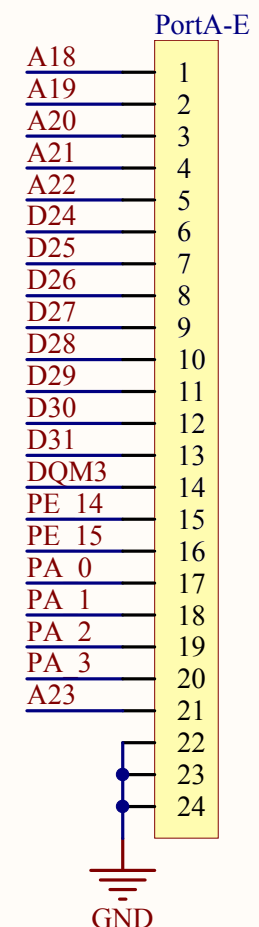
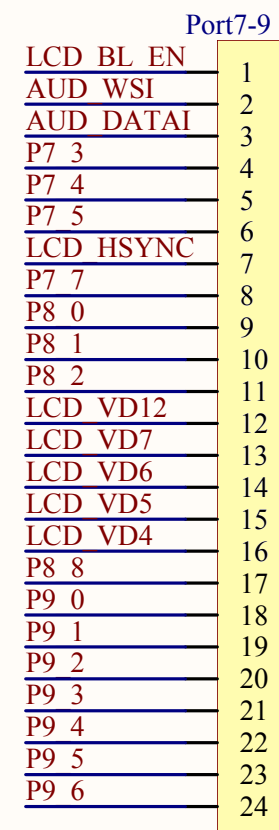
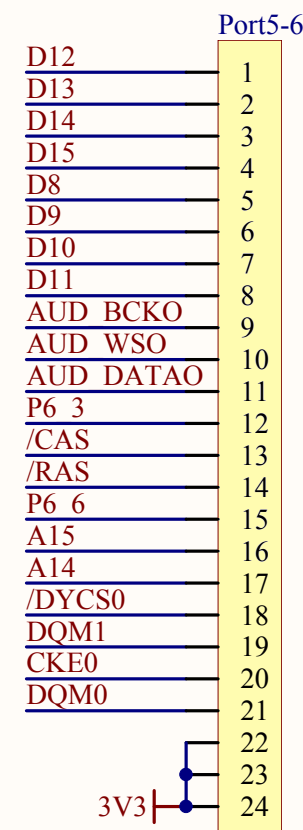
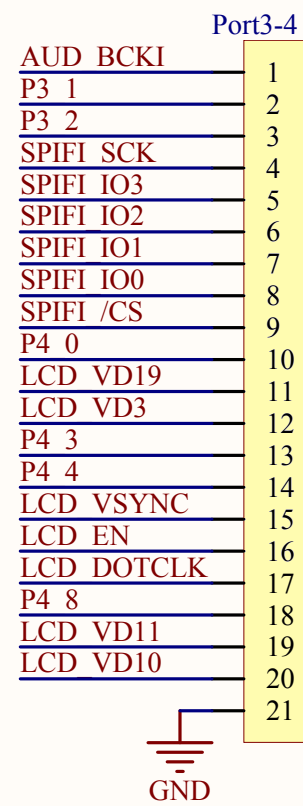
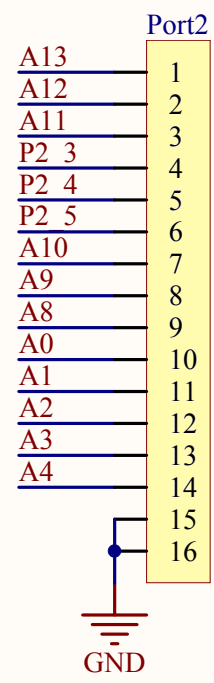
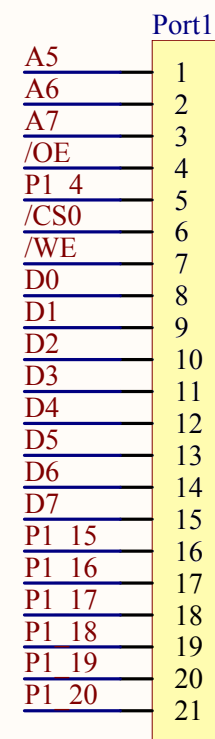




MCB1800/4300

LCD.SchDoc	Revision: 1.2
Size: A4	Sheet 10 of 12
Date: 2/13/2012	Web: www.keil.com





MCB1800/4300

Headers.SchDoc	Revision: 1.2
Size: A4	Sheet 11 of 12
Date: 2/13/2012	Web: www.keil.com

