

Preliminary W78C33B



8-BIT MICROCONTROLLER

GENERAL DESCRIPTION

The W78C33B microcontroller supplies a wider frequency range than most 8-bit microcontrollers on the market. It is functional compatible with the industry standard 80C32 microcontroller series except the one extra 4-bit bit-addressable I/O port (Port 4).

The W78C33B contains four 8-bit bidirectional parallel ports, three 16-bit timer/counters, and a serial port. These peripherals are supported by a six-source, two-level interrupt capability. There are 256 bytes of RAM, and the device supports ROMless operation for application programs.

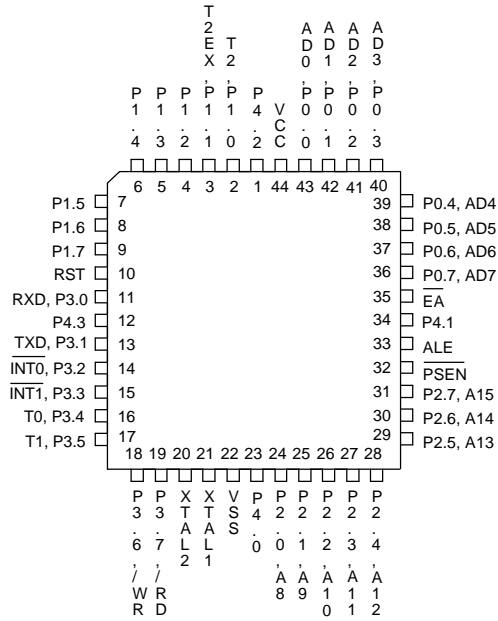
The W78C33B microcontroller has two power reduction modes, idle mode and power-down mode, both of which are software selectable. The idle mode turns off the processor clock but allows for continued peripheral operation. The power-down mode stops the crystal oscillator for minimum power consumption. The external clock can be stopped at any time and in any state without affecting the processor.

FEATURES

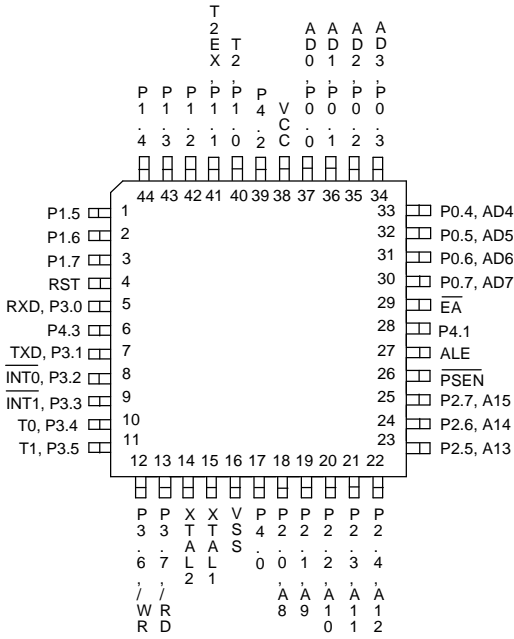
- 8-bit CMOS microcontroller
- Fully static design
- Low standby current at full supply voltage
- DC-40 MHz operation
- 256 bytes of on-chip scratchpad RAM
- ROMless operation
- 64K bytes program memory address space
- 64K bytes data memory address space
- Four 8-bit bidirectional ports
- One extra 4-bit bidirectional port
- Three 16-bit timer/counters
- One full duplex serial port
- Boolean processor
- Six-source, two-level interrupt capability
- Built-in power management
- Packages:
 - PLCC 44: W78C33BP-24/40
 - QFP 44: W78C33BF-24/40
 - TQFP 44: W78C33BM-24/40

PIN CONFIGURATIONS

44-Pin PLCC (W78C33BP)



44-Pin QFP/TQFP (W78C33BF/W78C33BM)





PIN DESCRIPTION

P0.0- P0.7

Port 0, Bits 0 through 7. Port 0 is a bi-directional I/O port. This port also provides a multiplexed low order address/data bus during accesses to external memory.

P1.0- P1.7

Port 1, Bits 0 through 7. Port 1 is a bi-directional I/O port with internal pull-ups. Pins P1.0 and P1.1 also serve as T2 (Timer 2 external input) and T2EX (Timer 2 capture/reload trigger), respectively.

P2.0- P2.7

Port 2, Bits 0 through 7. Port 2 is a bi-directional I/O port with internal pull-ups. This port also provides the upper address bits for accesses to external memory.

P3.0- P3.7

Port 3, Bits 0 through 7. Port 3 is a bi-directional I/O port with internal pull-ups. All bits have alternate functions, which are described below:

| PIN | ALTERNATE FUNCTION |
|------|---|
| P3.0 | RXD Serial Receive Data |
| P3.1 | TXD Serial Transmit Data |
| P3.2 | $\overline{\text{INT0}}$ External Interrupt 0 |
| P3.3 | $\overline{\text{INT1}}$ External Interrupt 1 |
| P3.4 | T0 Timer 0 Input |
| P3.5 | T1 Timer 1 Input |
| P3.6 | $\overline{\text{WR}}$ Data Write Strobe |
| P3.7 | $\overline{\text{RD}}$ Data Read Strobe |

P4.0- P4.3

Port 4, Bits 0 through 3. Port 4 is a bi-directional I/O port with internal pull-ups.

$\overline{\text{EA}}$

External Address Input, active low. This pin forces the processor to execute out of external ROM. This pin should be kept low for all W78C33B operations.

RST

Reset Input, active high. This pin resets the processor. It must be kept high for at least two machine cycles in order to be recognized by the processor.

Preliminary W78C33B



ALE

Address Latch Enable Output, active high. ALE is used to enable the address latch that separates the address from the data on Port 0. ALE runs at 1/6th of the oscillator frequency. A single ALE pulse is skipped during external data memory accesses. ALE goes to a high state during reset with a weak pull-up.

PSEN

Program Store Enable Output, active low. $\overline{\text{PSEN}}$ enables the external ROM onto the Port 0 address/data bus during fetch and MOV_C operations. $\overline{\text{PSEN}}$ goes to a high state during reset with a weak pull-up.

XTAL1

Crystal 1. This is the crystal oscillator input. This pin may be driven by an external clock.

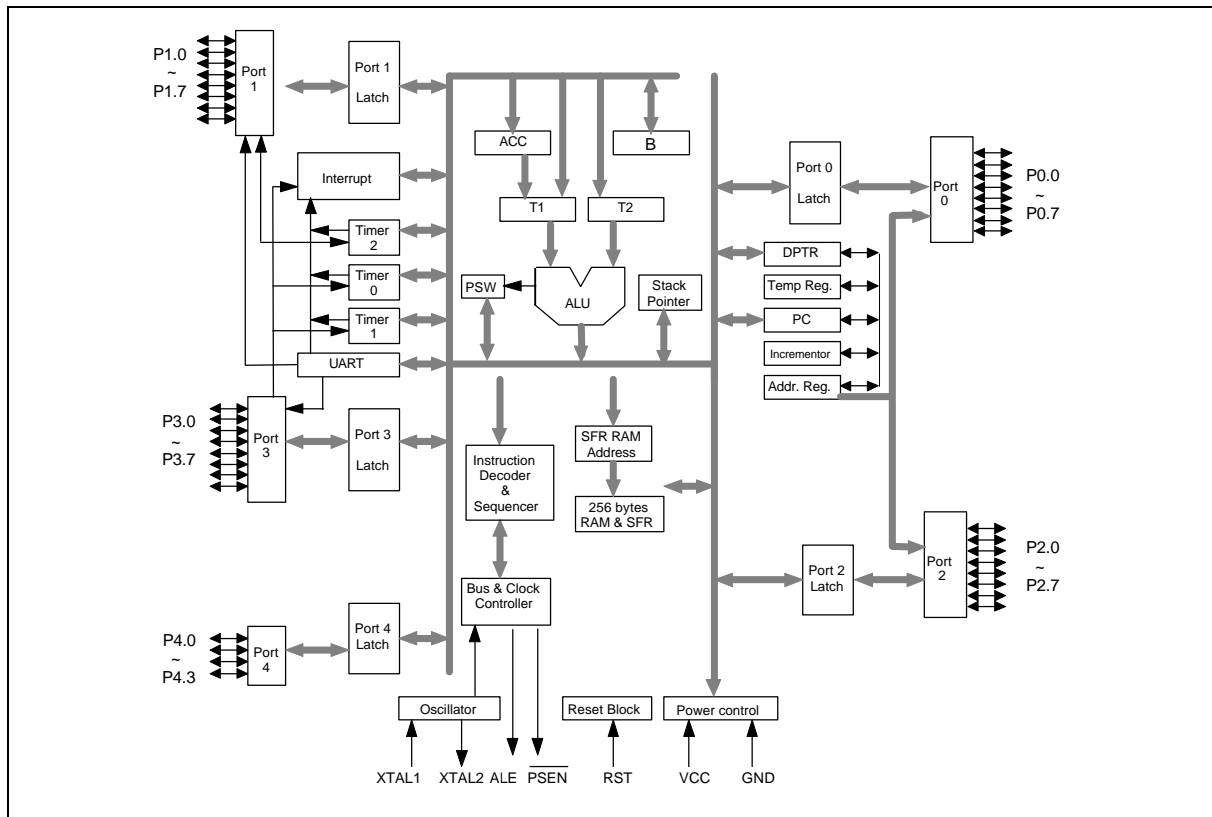
XTAL2

Crystal 2. This is the crystal oscillator output. It is the inversion of XTAL1.

Vss, Vcc

Power Supplies. These are the chip ground and positive supplies.

BLOCK DIAGRAM





FUNCTIONAL DESCRIPTION

The W78C33B architecture consists of a core controller surrounded by various registers, five general purpose I/O ports, 256 bytes of RAM, three timer/counters, and a serial port. The processor supports 111 different instruction and references both a 64K program address space and a 64K data storage space.

Timers 0, 1, and 2

Timers 0, 1, and 2 each consist of two 8-bit data registers. These are called TL0 and TH0 for Timer 0, TL1 and TH1 for Timer 1, and TL2 and TH2 for Timer 2. The TCON and TMOD registers provide control functions for timers 0, 1. The T2CON register provides control functions for Timer 2. RCAP2H and RCAP2L are used as reload/capture registers for Timer 2.

The operations of Timer 0 and Timer 1 are the same as in the W78C31. Timer 2 is a special feature of the W78C33B: it is a 16-bit timer/counter that is configured and controlled by the T2CON register. Like Timers 0 and 1, Timer 2 can operate as either an external event counter or as an internal timer, depending on the setting of bit C/T2 in T2CON. Timer 2 has three operating modes: capture, auto-reload, and baud rate generator. The clock speed at capture or auto-reload mode is the same as that of Timers 0 and 1.

Clock

The W78C33B is designed to be used with either a crystal oscillator or an external clock. Internally, the clock is divided by two before it is used. This makes the W78C33B relatively insensitive to duty cycle variations in the clock.

Crystal Oscillator

The W78C33B incorporates a built-in crystal oscillator. To make the oscillator work, a crystal must be connected across pins XTAL1 and XTAL2. In addition, a load capacitor must be connected from each pin to ground, and a resistor must also be connected from XTAL1 to XTAL2 to provide a DC bias when the crystal frequency is above 24 MHz.

External Clock

An external clock should be connected to pin XTAL1. Pin XTAL2 should be left unconnected. The XTAL1 input is a CMOS-type input, as required by the crystal oscillator. As a result, the external clock signal should have an input one level of greater than 3.5 volts.

Power Management

Idle Mode

The idle mode is entered by setting the IDL bit in the PCON register. In the idle mode, the internal clock to the processor is stopped. The peripherals and the interrupt logic continue to be clocked. The processor will exit idle mode when either an interrupt or a reset occurs.

Power-down Mode

When the PD bit of the PCON register is set, the processor enters the power-down mode. In this mode all of the clocks, including the oscillator are stopped. The only way to exit power-down mode is by a reset.

Preliminary W78C33B



Reset

The external RESET signal is sampled at S5P2. To take effect, it must be held high for at least two machine cycles while the oscillator is running.

An internal trigger circuit in the reset line is used to deglitch the reset line when the W78C33B is used with an external RC network. The reset logic also has a special glitch removal circuit that ignores glitches on the reset line.

During reset, the ports are initialized to FFH, the stack pointer to 07H, PCON (with the exception of bit 4) to 00H, and all of the other SFR registers except SBUF to 00H. SBUF is not reset.

2. PORT4

Another bit-addressable port P4 is also available and only 4 bits (P4<3:0>) can be used. This port address is located at 0D8H with the same function as that of port P1.

Example: P4 REG 0D8H

MOV P4, #0AH ; Output data "A" through P4.0–P4.3.

MOV A, P4 ; Read P4 status to Accumulator.

SETB P4.0 ; Set bit P4.0

CLR P4.1 ; Clear bit P4.1

ABSOLUTE MAXIMUM RATINGS

| PARAMETER | SYMBOL | MIN. | MAX. | UNIT |
|-----------------------|----------------------------------|----------------------|----------------------|------|
| DC Power Supply | V _{CC} -V _{SS} | -0.3 | +7.0 | V |
| Input Voltage | V _{IN} | V _{SS} -0.3 | V _{CC} +0.3 | V |
| Operating Temperature | T _A | 0 | 70 | °C |
| Storage Temperature | T _{ST} | -55 | +150 | °C |

Note: Exposure to conditions beyond those listed under Absolute Maximum Ratings may adversely affect the life and reliability of the device.

Preliminary W78C33B



DC CHARACTERISTICS

(V_{DD}-V_{SS} = 5V ±10%, T_A = 25°C, F_{osc} = 20 MHz, unless otherwise specified.)

| PARAMETER | SYM. | SPECIFICATION | | UNIT | TEST CONDITIONS |
|---|----------------------|---------------|-----------------------|------|---|
| | | MIN. | MAX. | | |
| Operating Voltage | V _{DD} | 4.5 | 5.5 | V | |
| Operating Current | I _{DD} | - | 20 | mA | No load V _{DD} = 5.5V |
| Idle Current | I _{IDLE} | - | 6 | mA | Idle mode V _{DD} = 5.5V |
| Power Down Current | I _{PWDN} | - | 50 | μA | Power-down mode V _{DD} = 5.5V |
| Input Current P1, P2, P3, P4 | I _{IN1} | -50 | +10 | μA | V _{DD} = 5.5V V _{IN} = 0V or V _{DD} |
| Input Current RST | I _{IN2} | -10 | +300 | μA | V _{DD} = 5.5V 0 < V _{IN} < V _{DD} |
| Input Leakage Current P0, \overline{EA} | I _{LK} | -10 | +10 | μA | V _{DD} = 5.5V 0V < V _{IN} < V _{DD} |
| Logic 1 to 0 Transition Current P1, P2, P3, P4 | I _{TL} [*4] | -500 | -200 | μA | V _{DD} = 5.5V V _{IN} = 2.0V |
| Input Low Voltage P0, P1, P2, P3, P4, \overline{EA} | V _{IL1} | 0 | 0.8 | V | V _{DD} = 4.5V |
| Input Low Voltage RST | V _{IL2} | 0 | 0.8 | V | V _{DD} = 4.5V |
| Input Low Voltage XTAL1[*4] | V _{IL3} | 0 | 0.8 | V | V _{DD} = 4.5V |
| Input High Voltage P0, P1, P2, P3, P4, \overline{EA} | V _{IH1} | 2.4 | V _{DD} + 0.2 | V | V _{DD} = 5.5V |
| Input High Voltage RST | V _{IH2} | 3.5 | V _{DD} + 0.2 | V | V _{DD} = 5.5V |
| Input High Voltage XTAL1 [*4] | V _{IH3} | 3.5 | V _{DD} + 0.2 | V | V _{DD} = 5.5V |
| Output Low Voltage P1, P2, P3, P4 | V _{OL1} | - | 0.45 | V | V _{DD} = 4.5V I _{OL} = +2 mA |

Preliminary W78C33B



DC Characteristics, continued

| PARAMETER | SYM. | SPECIFICATION | | UNIT | TEST CONDITIONS |
|---|------|---------------|------|---------|----------------------------------|
| | | MIN. | MAX. | | |
| Output Low Voltage P0, ALE, $\overline{\text{PSEN}}$ [*3] | VOL2 | - | 0.45 | V | VDD = 4.5V IOL = +4mA |
| Sink Current P1, P2, P3, P4 | ISK1 | 4 | 8 | mA | VDD = 4.5V Vs = 0.45V |
| Sink Current P0, ALE, $\overline{\text{PSEN}}$ | ISK2 | 10 | 14 | mA | VDD = 4.5V Vs = 0.45V |
| Output High Voltage P1, P2, P3, P4 | VOH1 | 2.4 | - | V | VDD = 4.5V IOH = -100 μ A |
| Output High Voltage P0, ALE, $\overline{\text{PSEN}}$ [*3] | VOH2 | 2.4 | - | V | VDD = 4.5V IOH = -400 μ A |
| Source Current P1, P2, P3, P4 | ISR1 | -120 | -180 | μ A | VDD = 4.5V Vs = 2.4V |
| Source Current P0, ALE, $\overline{\text{PSEN}}$ | ISR2 | -10 | -14 | mA | VDD = 4.5V Vs = 2.4V |

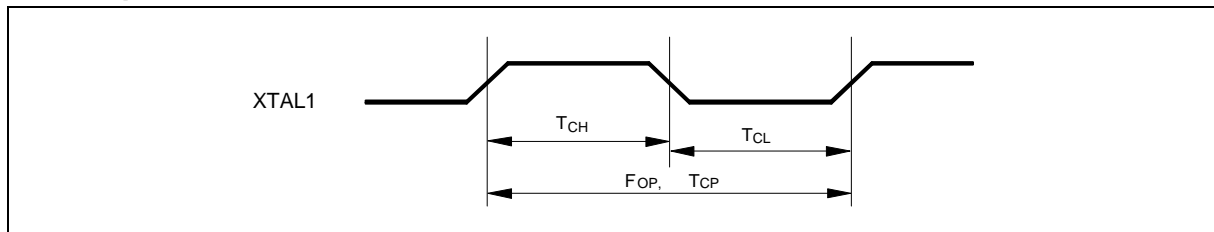
Notes:

- *1. RST pin is a Schmitt trigger input. RST has internal pull-low resistors of about 30 K Ω .
- *3. P0, ALE and $\overline{\text{PSEN}}$ are tested in the external access mode.
- *4. XTAL1 is a CMOS input.
- *5. Pins of P1, P2, P3, P4 can source a transition current when they are being externally driven from 1 to 0. The transition current reaches its maximum value when V_{IN} approximates to 2V.

AC CHARACTERISTICS

The AC specifications are a function of the particular process used to manufacture the part, the ratings of the I/O buffers, the capacitive load, and the internal routing capacitance. Most of the specifications can be expressed in terms of multiple input clock periods (TCP), and actual parts will usually experience less than a ± 20 nS variation. The numbers below represent the performance expected from a 1.2 micron CMOS process when using 2 and 4 mA output buffers.

Clock Input Waveform



Preliminary W78C33B



Continued

| PARAMETER | SYMBOL | MIN. | TYP. | MAX. | UNIT | NOTES |
|-----------------|--------|------|------|------|------|-------|
| Operating Speed | FOP | 0 | - | 40 | MHz | 1 |
| Clock Period | TCP | 25 | - | - | nS | 2 |
| Clock High | TCH | 10 | - | - | nS | 3 |
| Clock Low | TCL | 10 | - | - | nS | 3 |

Notes:

1. The clock may be stopped indefinitely in either state.
2. The TCP specification is used as a reference in other specifications.
3. There are no duty cycle requirements on the XTAL1 input.

Program Fetch Cycle

| PARAMETER | SYMBOL | MIN. | TYP. | MAX. | UNIT | NOTES |
|--|--------|---------|------------------|---------------------|------|-------|
| Address Valid to ALE Low | TAAS | 1 TCP-Δ | - | - | nS | 4 |
| Address Hold after ALE Low | TAAH | 1 TCP-Δ | - | - | nS | 1, 4 |
| ALE Low to $\overline{\text{PSEN}}$ Low | TAPL | 1 TCP-Δ | 1T _{cp} | 1T _{cp} +Δ | nS | 4 |
| $\overline{\text{PSEN}}$ Low to Data Valid | TPDA | - | - | 2 TCP | nS | 2 |
| Data Hold after $\overline{\text{PSEN}}$ High | TPDH | 0 | - | 1 TCP | nS | 3 |
| Data Float after $\overline{\text{PSEN}}$ High | TPDZ | 0 | - | 1 TCP | nS | |
| ALE Pulse Width | TALW | 2 TCP-Δ | 2 TCP | - | nS | 4 |
| $\overline{\text{PSEN}}$ Pulse Width | TPSW | 3 TCP-Δ | 3 TCP | - | nS | 4 |

Notes:

1. P0.0–P0.7, P2.0–P2.7 remain stable throughout entire memory cycle.
2. Memory access time is 3 TCP.
3. Data have been latched internally prior to $\overline{\text{PSEN}}$ going high.
4. "Δ" (due to buffer driving delay and wire loading) is 20 nS.

Data Read Cycle

| PARAMETER | SYMBOL | MIN. | TYP. | MAX. | UNIT | NOTES |
|--|--------|---------|-------|---------|------|-------|
| ALE Low to $\overline{\text{RD}}$ Low | TDAR | 3 TCP-Δ | - | 3 TCP+Δ | nS | 1, 2 |
| $\overline{\text{RD}}$ Low to Data Valid | TDDA | - | - | 4 TCP | nS | 1 |
| Data Hold after $\overline{\text{RD}}$ High | TDDH | 0 | - | 2 TCP | nS | |
| Data Float after $\overline{\text{RD}}$ High | TDDZ | 0 | - | 2 TCP | nS | |
| $\overline{\text{RD}}$ Pulse Width | TDRD | 6 TCP-Δ | 6 TCP | - | nS | 2 |

Notes:

1. Data memory access time is 8 TCP.
2. "Δ" (due to buffer driving delay and wire loading) is 20 nS.



Data Write Cycle

| PARAMETER | SYMBOL | MIN. | TYP. | MAX. | UNIT |
|-------------------------------------|-----------|---------------------|------------|---------------------|------|
| ALE Low to \overline{WR} Low | T_{DAW} | $3 T_{CP} - \Delta$ | - | $3 T_{CP} + \Delta$ | nS |
| Data Valid to \overline{WR} Low | T_{DAD} | $1 T_{CP} - \Delta$ | - | - | nS |
| Data Hold from \overline{WR} High | T_{DWD} | $1 T_{CP} - \Delta$ | - | - | nS |
| \overline{WR} Pulse Width | T_{DWR} | $6 T_{CP} - \Delta$ | $6 T_{CP}$ | - | nS |

Note: " Δ " (due to buffer driving delay and wire loading) is 20 nS.

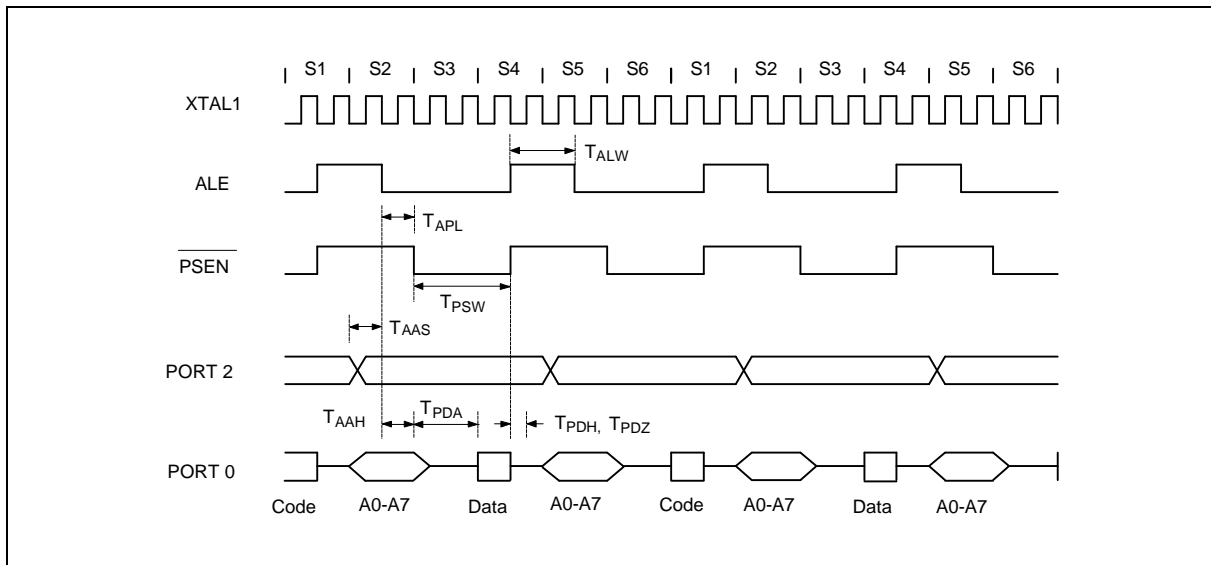
Port Access Cycle

| PARAMETER | SYMBOL | MIN. | TYP. | MAX. | UNIT |
|------------------------------|-----------|------------|------|------|------|
| Port Input Setup to ALE Low | T_{PDS} | $1 T_{CP}$ | - | - | nS |
| Port Input Hold from ALE Low | T_{PDH} | 0 | - | - | nS |
| Port Output to ALE | T_{PDA} | $1 T_{CP}$ | - | - | nS |

Note: Ports are read during S5P2, and output data becomes available at the end of S6P2. The timing data are referenced to ALE, since it provides a convenient reference.

TIMING WAVEFORMS

Program Fetch Cycle

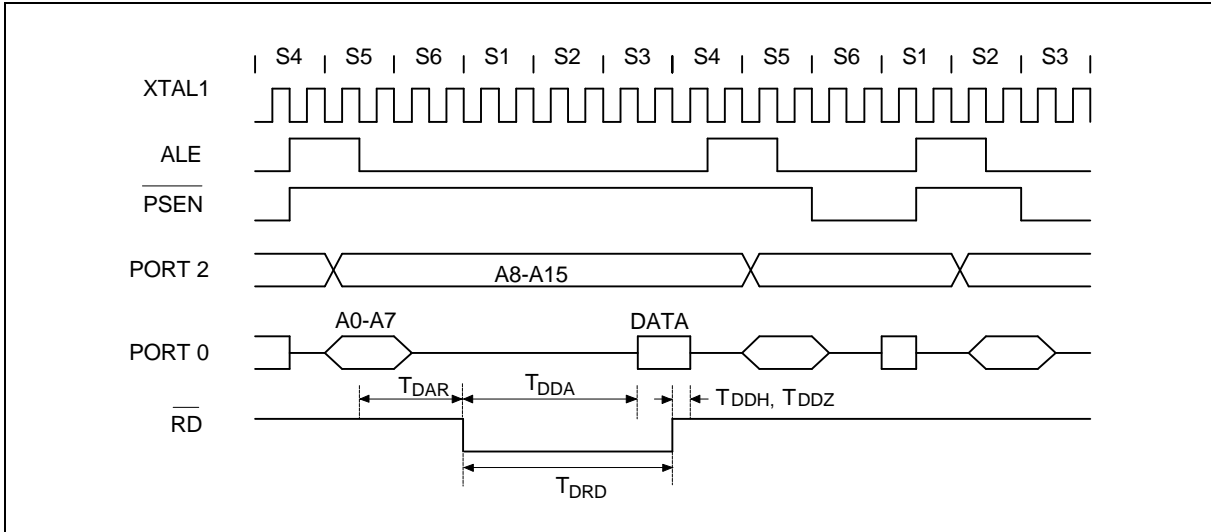


Preliminary W78C33B

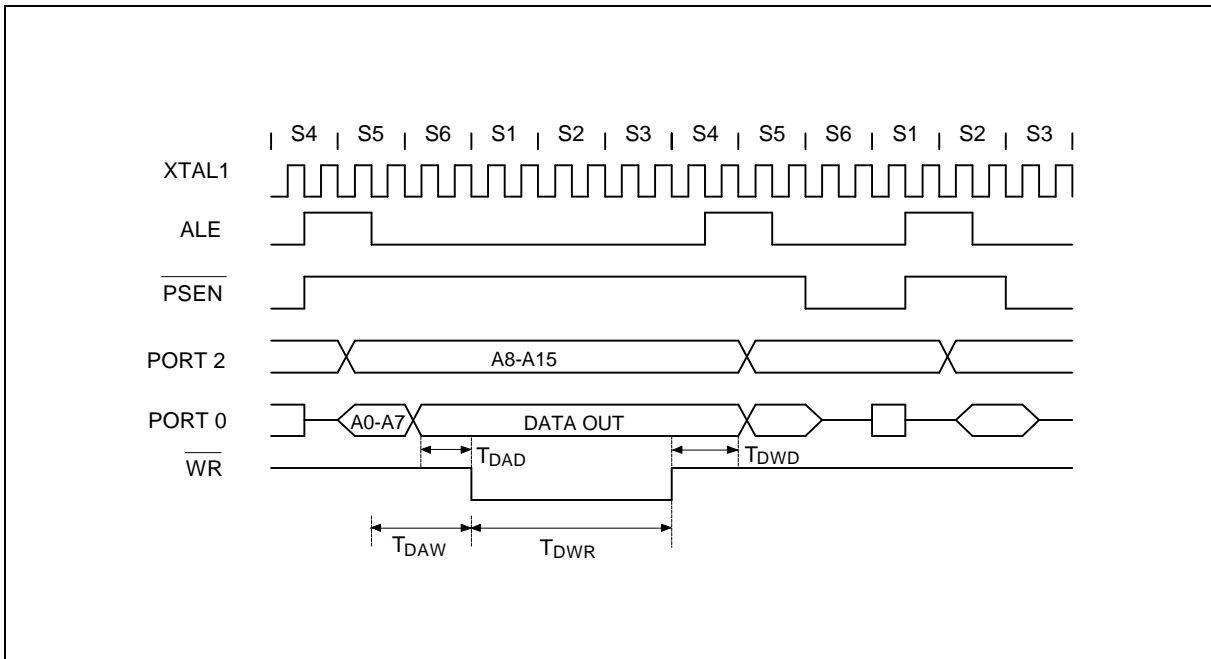


Timing Waveforms, continued

Data Read Cycle



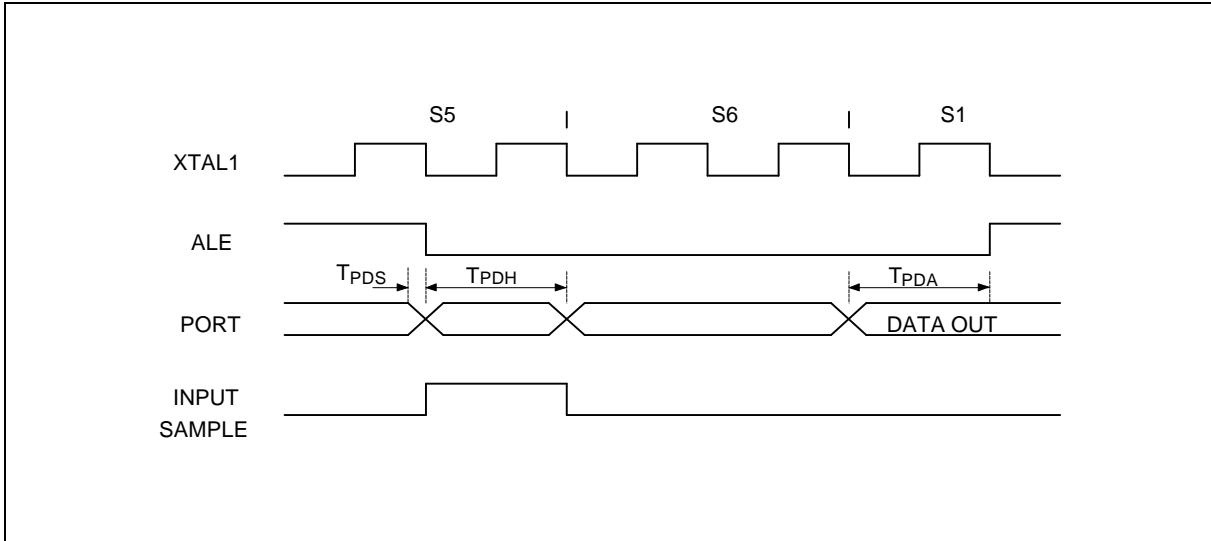
Data Write Cycle





Timing Waveforms, continued

Port Access Cycle



Preliminary W78C33B



TYPICAL APPLICATION CIRCUIT

Using External Program Memory and Crystal

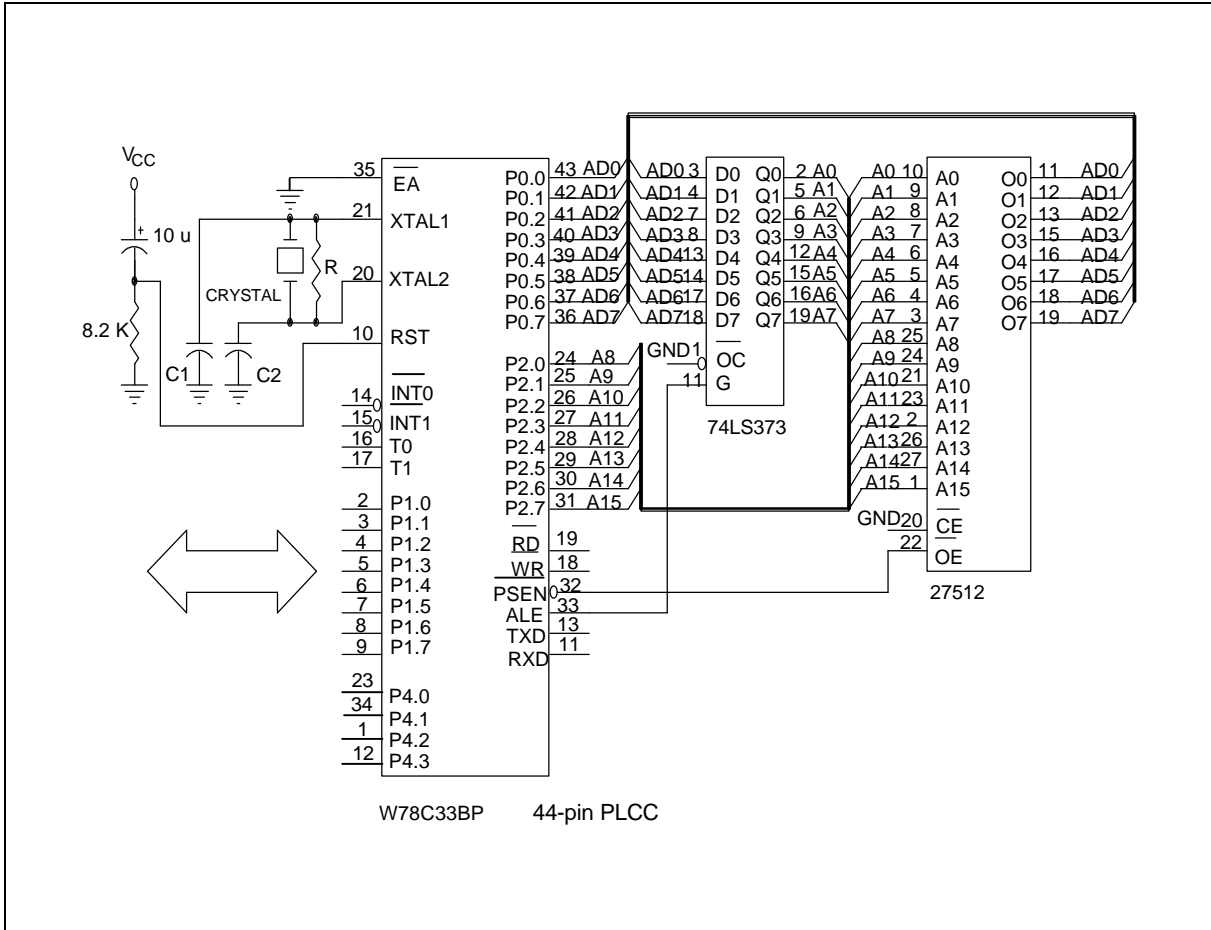


Figure A

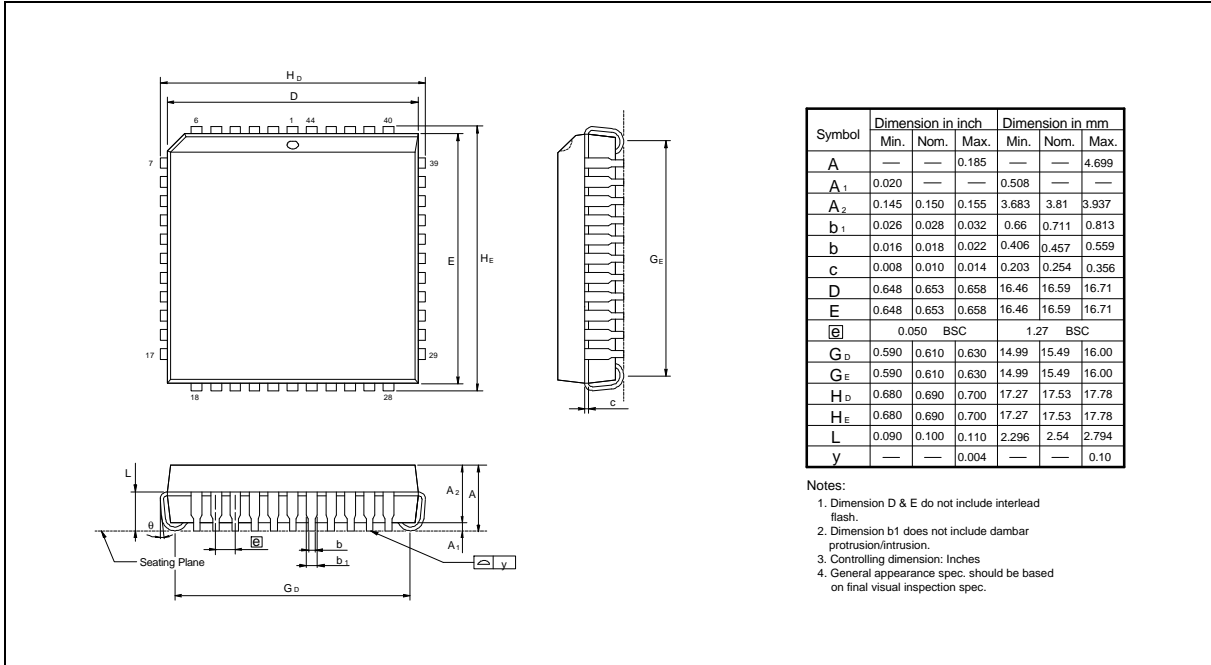
| CRYSTAL | C1 | C2 | R |
|---------|-----|-----|------|
| 16 MHz | 30P | 30P | - |
| 24 MHz | 15P | 15P | - |
| 33 MHz | 10P | 10P | 6.8K |
| 40 MHz | 5P | 5P | 6.8K |

Above table shows the reference values for crystal applications.

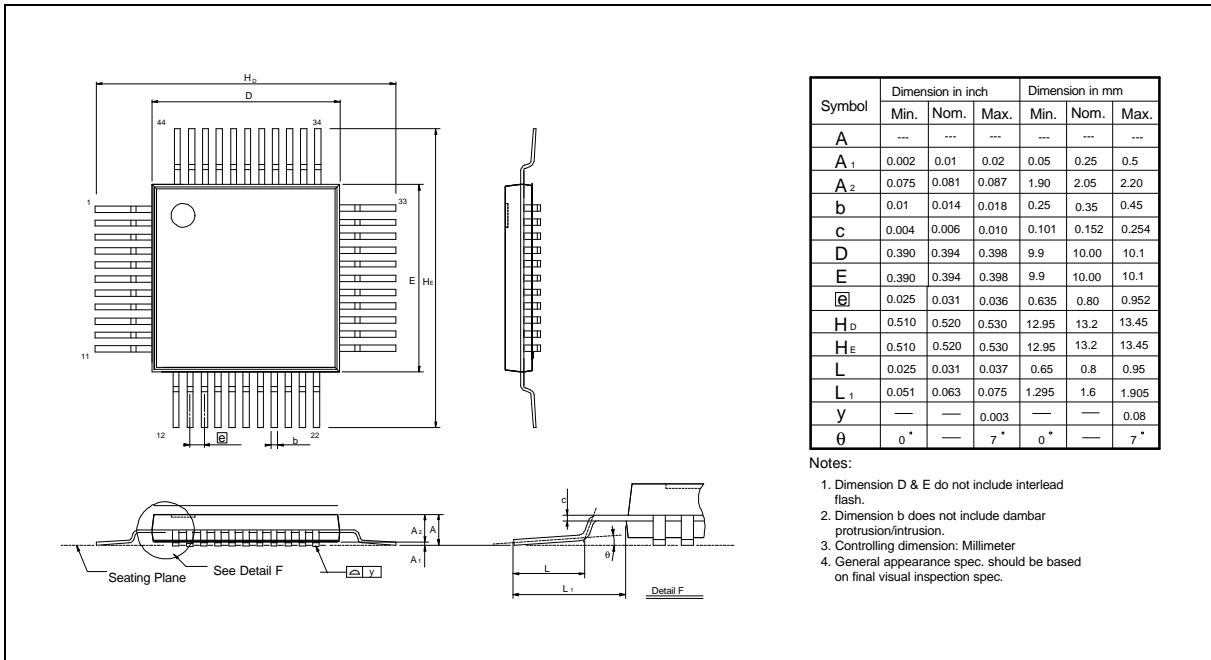
Note: C1, C2, R components refer to Figure A.

PACKAGE DIMENSIONS

44-pin PLCC



44-pin QFP



Preliminary W78C33B



Headquarters

No. 4, Creation Rd. III,
Science-Based Industrial Park,
Hsinchu, Taiwan
TEL: 886-3-5770066
FAX: 886-3-5792766
<http://www.winbond.com.tw/>
Voice & Fax-on-demand: 886-2-27197006

Taipei Office

11F, No. 115, Sec. 3, Min-Sheng East Rd.,
Taipei, Taiwan
TEL: 886-2-27190505
FAX: 886-2-27197502

Winbond Electronics (H.K.) Ltd.

Rm. 803, World Trade Square, Tower II,
123 Hoi Bun Rd., Kwun Tong,
Kowloon, Hong Kong
TEL: 852-27513100
FAX: 852-27552064

Winbond Electronics North America Corp.

Winbond Memory Lab.
Winbond Microelectronics Corp.
Winbond Systems Lab.
2727 N. First Street, San Jose,
CA 95134, U.S.A.
TEL: 408-9436666
FAX: 408-5441798

Note: All data and specifications are subject to change without notice.