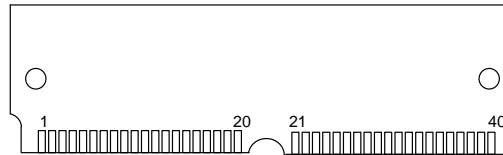


## FEATURES

- 8051 compatible microcontroller for secure/sensitive applications
  - 32K, 64K, or 128K bytes of nonvolatile SRAM for program and/or data storage
  - In-system programming via on-chip serial port
  - Capable of modifying its own program or data memory in the end system
- Firmware Security Features:
  - Memory stored in encrypted form
  - Encryption using on-chip 64-bit key
  - Automatic true random key generator
  - SDI Self Destruct Input
  - Improved security over previous generations
  - Protects memory contents from piracy
- Crashproof Operation
  - Maintains all nonvolatile resources for over 10 years in the absence of power
  - Power-fail Reset
  - Early Warning Power-fail Interrupt
  - Watchdog Timer
  - Precision reference for power monitor
- Fully 8051 Compatible
  - 128 bytes scratchpad RAM
  - Two timer/counters
  - On-chip serial port
  - 32 parallel I/O port pins
- Permanently powered real time clock

## PACKAGE OUTLINE



40-Pin SIMM

## DESCRIPTION

The DS2252T is an 8051 compatible microcontroller based on nonvolatile RAM technology. It is designed for systems that need to protect memory contents from disclosure. This includes key data, sensitive algorithms, and proprietary information of all types. Like other members of the Secure Microcontroller family, it provides full compatibility with the 8051 instruction set, timers, serial port, and parallel I/O ports. By using NVRAM instead of ROM, the user can program, then reprogram the microcontroller while in-system. This allows frequent changing of sensitive processes with minimal effort. The DS2252T provides an array of mechanisms to prevent an attacker from examining the memory. It is designed to resist all levels of threat including observation, analysis, and physical attack. As a result, a massive effort would be required to obtain any information about memory contents. Furthermore, the "Soft" nature of the DS2252T allows frequent modification of secure information. This minimizes that value of any information that is obtained.

Using a security system based on the DS5002FP, the DS2252T protects the memory contents from disclosure. It loads program memory via its serial port and encrypts it in real-time prior to storing it in SRAM. Once encrypted, the RAM contents and the program flow are unintelligible. The real data exists only inside the processor chip after being decrypted. Any attempt to discover the on-chip data, encryption keys, etc., results in its destruction. Extensive use of nonvolatile lithium backed technology create a microcontroller that retains data for over 10 years at room temperature, but which can be erased instantly if tampered with. The DS2252T even interfaces directly to external tamper protection hardware.

The DS2252T provides a permanently powered real time lock with interrupts for time stamp and date. It keeps time to one hundredth of a second using its on-board 32 KHz crystal.

Like other Secure Microcontrollers in the family, the DS2252T provides crashproof operation in portable systems or systems with unreliable power. These features include the ability to save the operating state,

Power-fail Reset, Power-fail Interrupt, and Watchdog Timer. All nonvolatile memory and resources are maintained for over 10 years at room temperature in the absence of power.

A user loads programs into the DS2252T via its on-chip Serial Bootstrap Loader. This function supervises the loading of software into NVRAM, validates it, then becomes transparent to the user. It also manages the loading of new encryption keys automatically. Software is stored in on-board CMOS SRAM. Using its internal Partitioning, the DS2252T can divide a common RAM into user selectable program and data segments. This Partition can be selected at program loading time, but can be modified anytime later. The microcontroller will decode memory access to the SRAM, access memory via its Byte-wide bus and write-protect the memory portion designated as program (ROM).

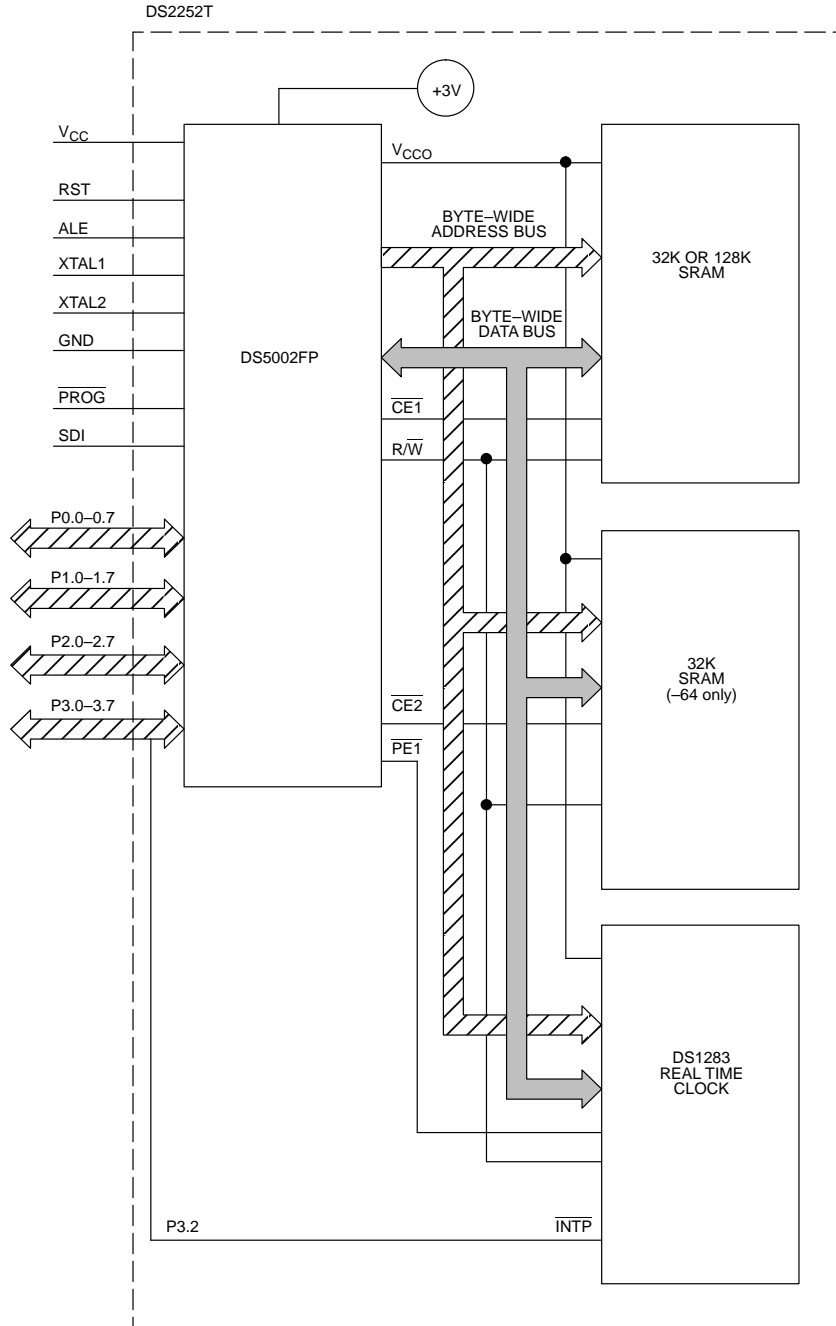
A detailed summary of the security features is provided in the User's Guide section of the Secure Microcontroller data book. An overview is also available in the DS5002FP data sheet.

#### ORDERING INFORMATION

PART NUMBER	RAM SIZE	MAX CRYSTAL SPEED	TIMEKEEPING?
DS2252T-32-16	32K bytes	16 MHz	Yes
DS2252T-64-16	64K bytes	16 MHz	Yes
DS2252T-128-16	128K bytes	16 MHz	Yes

Operating information is contained in the User's Guide section of the Secure Microcontroller Data Book. This data sheet provides ordering information, pinout, and electrical specifications.

DS2252T BLOCK DIAGRAM Figure 1



**PIN ASSIGNMENT**

1	P1.0	11	P1.5	21	P3.1 TXD	31	P3.6 $\overline{WR}$
2	V <sub>CC</sub>	12	P0.4	22	ALE	32	P2.4
3	P1.1	13	P1.6	23	P3.2 $\overline{INT0}$	33	P3.7 $\overline{RD}$
4	P0.0	14	P0.5	24	$\overline{PROG}$	34	P2.3
5	P1.2	15	P1.7	25	P3.3 $\overline{INT1}$	35	XTAL2
6	P0.1	16	P0.6	26	P2.7	36	P2.2
7	P1.3	17	RST	27	P3.4 T0	37	XTAL1
8	P0.2	18	P0.7	28	P2.6	38	P2.1
9	P1.4	19	P3.0 RXD	29	P3.5 T1	39	GND
10	P0.3	20	SDI	30	P2.5	40	P2.0

**PIN DESCRIPTION**

PIN	DESCRIPTION
4, 6, 8, 10, 12, 14, 16, 18	<b>P0.0 – P0.7.</b> General purpose I/O Port 0. This port is open-drain and can not drive a logic 1. It requires external pull-ups. Port 0 is also the multiplexed Expanded Address/Data bus. When used in this mode, it does not require pull-ups.
1, 3, 5, 7, 9, 11, 13, 15	<b>P1.0 – P1.7.</b> General purpose I/O Port 1.
40, 38, 36, 34, 32, 30, 28, 26	<b>P2.0 – P2.7.</b> General purpose I/O Port 2. Also serves as the MSB of the Expanded Address bus.
19	<b>P3.0 RXD.</b> General purpose I/O port pin 3.0. Also serves as the receive signal for the on board UART. This pin should <u>NOT</u> be connected directly to a PC COM port.
21	<b>P3.1 TXD.</b> General purpose I/O port pin 3.1. Also serves as the transmit signal for the on board UART. This pin should <u>NOT</u> be connected directly to a PC COM port.
23	<b>P3.2 <math>\overline{INT0}</math>.</b> General purpose I/O port pin 3.2. Also serves as the active low External Interrupt 0. This pin is also connected to the $\overline{INTP}$ output of the DS1283 Real Time Clock.
25	<b>P3.3 <math>\overline{INT1}</math>.</b> General purpose I/O port pin 3.3. Also serves as the active low External Interrupt 1.
27	<b>P3.4 T0.</b> General purpose I/O port pin 3.4. Also serves as the Timer 0 input.
29	<b>P3.5 T1.</b> General purpose I/O port pin 3.5. Also serves as the Timer 1 input.
31	<b>P3.6 <math>\overline{WR}</math>.</b> General purpose I/O port pin. Also serves as the write strobe for Expanded bus operation.
33	<b>P3.7 <math>\overline{RD}</math>.</b> General purpose I/O port pin. Also serves as the read strobe for Expanded bus operation.
17	<b>RST</b> – Active high reset input. A logic 1 applied to this pin will activate a reset state. This pin is pulled down internally, can be left unconnected if not used. An RC power-on reset circuit is not needed and is <u>NOT</u> recommended.
22	<b>ALE</b> – Address Latch Enable. Used to de-multiplex the multiplexed Expanded Address/Data bus on Port 0. This pin is normally connected to the clock input on a '373 type transparent latch.

PIN	DESCRIPTION
35, 37	<b>XTAL2, XTAL1.</b> Used to connect an external crystal to the internal oscillator. XTAL1 is the input to an inverting amplifier and XTAL2 is the output.
39	<b>GND</b> – Logic ground.
2	<b>V<sub>CC</sub> – +5V.</b>
24	<b>PROG</b> – Invokes the Bootstrap loader on a falling edge. This signal should be debounced so that only one edge is detected. If connected to ground, the microcontroller will enter Bootstrap loading on power up. This signal is pulled up internally.
20	<b>SDI</b> – Self Destruct Input. A logic 1 applied to this input causes a hardware unlock. This involves the destruction of Encryption Keys, Vector RAM, and the momentary removal of power from V <sub>CCO</sub> . This pin should be grounded if not used.

### INSTRUCTION SET

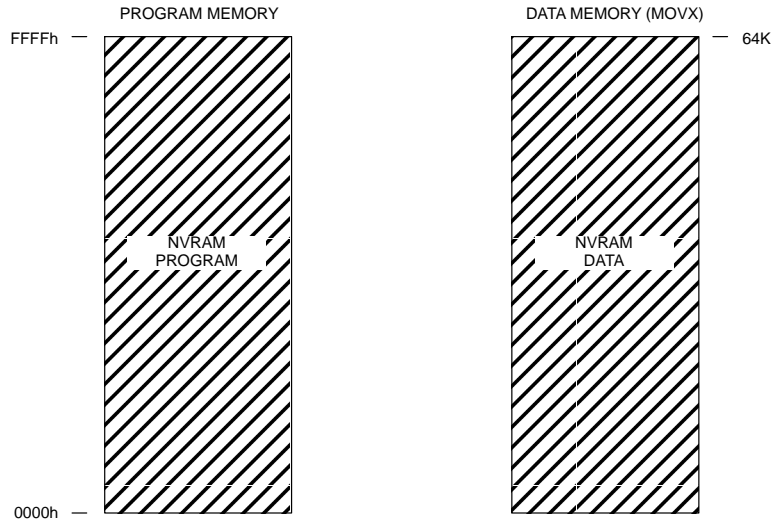
The DS2252T executes an instruction set that is object code compatible with the industry standard 8051 microcontroller. As a result, software development packages such as assemblers and compilers that have been written for the 8051 are compatible with the DS2252T. A complete description of the instruction set and operation are provided in the User's Guide section of the Secure Microcontroller Data Book.

### MEMORY ORGANIZATION

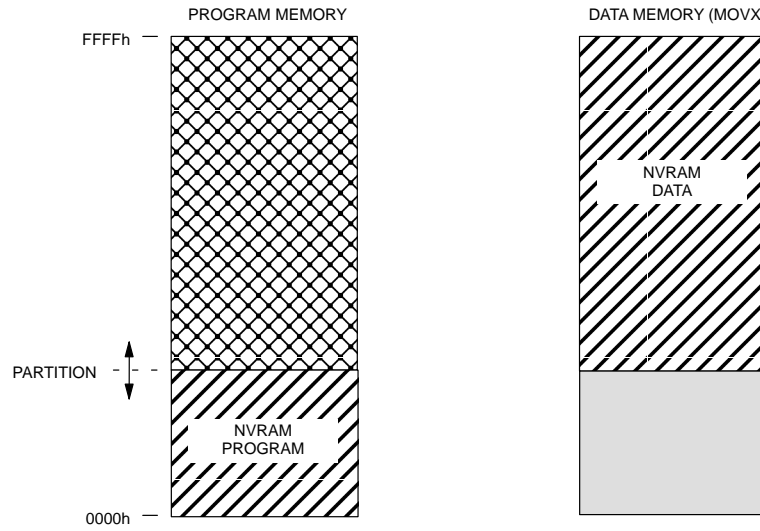
Figure 2 illustrates the memory map accessed by the DS2252T. The entire 64K of program and 64K of data

are available to the Byte-wide bus. This preserves the I/O ports for application use. An alternate configuration allows dynamic Partitioning of a 64K space as shown in Figure 3. Any data area not mapped into the NVRAM is reached via the Expanded bus on Ports 0 and 2. Off-board program memory is not available for security reasons. Selecting PES=1 provides access to the Real-time Clock as shown in Figure 4. These selections are made using Special Function Registers. The memory map and its controls are covered in detail in the User's Guide section of the Secure Microcontroller Data Book.

**DS2252T MEMORY MAP IN NON-PARTITIONABLE MODE (PM=1) Figure 2**



**DS2252T MEMORY MAP IN PARTITIONABLE MODE (PM=0) Figure 3**



NOTE: PARTITIONABLE MODE IS NOT SUPPORTED ON THE 128KB VERSION OF THE DS2252T.

LEGEND:



= NVRAM MEMORY

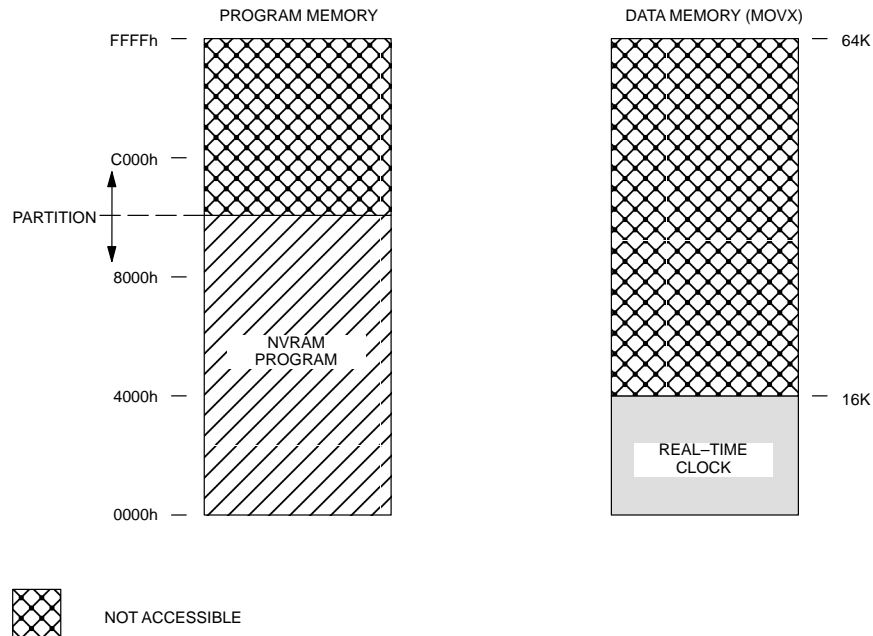


= NOT AVAILABLE



= EXPANDED BUS (PORTS 0 AND 2)

DS2252T MEMORY MAP WITH (PES=1) Figure 4



### POWER MANAGEMENT

The DS2252T monitors  $V_{CC}$  to provide Power-fail Reset, early warning Power-fail Interrupt, and switch over to lithium backup. It uses an internal band-gap reference in determining the switch points. These are called  $V_{PFW}$ ,  $V_{CCMIN}$ , and  $V_{LI}$  respectively. When  $V_{CC}$  drops below  $V_{PFW}$ , the DS2252T will perform an interrupt vector to location 2Bh if the power fail warning was enabled. Full processor operation continues regardless. When power falls further to  $V_{CCMIN}$ , the DS2252T invokes a reset state. No further code execution will be

performed unless power rises back above  $V_{CCMIN}$ . All decoded chip enables and the  $R/\overline{W}$  signal go to an inactive (logic 1) state.  $V_{CC}$  is still the power source at this time. When  $V_{CC}$  drops further to below  $V_{LI}$ , internal circuitry will switch to the built-in lithium cell for power. The majority of internal circuits will be disabled and the remaining nonvolatile states will be retained. The User's Guide has more information on this topic. The trip points  $V_{CCMIN}$  and  $V_{PFW}$  are listed in the electrical specifications.

**ABSOLUTE MAXIMUM RATINGS\***

Voltage on Any Pin Relative to Ground	-0.3V to +7.0V
Operating Temperature	0°C to 70°C
Storage Temperature	-40°C to +70°C
Soldering Temperature	260°C for 10 seconds

\* This is a stress rating only and functional operation of the device at these or any other conditions above those indicated in the operation sections of this specification is not implied. Exposure to absolute maximum rating conditions for extended periods of time may affect reliability.

**DC CHARACTERISTICS**(t<sub>A</sub>=0°C to 70°C; V<sub>CC</sub>=5V ± 10%)

PARAMETER	SYMBOL	MIN	TYP	MAX	UNITS	NOTES
Input Low Voltage	V <sub>IL</sub>	-0.3		+0.8	V	1
Input High Voltage	V <sub>IH1</sub>	2.0		V <sub>CC</sub> +0.3	V	1
Input High Voltage (RST, XTAL1, PROG)	V <sub>IH2</sub>	3.5		V <sub>CC</sub> +0.3	V	1
Output Low Voltage @ I <sub>OL</sub> =1.6 mA (Ports 1, 2, 3)	V <sub>OL1</sub>		0.15	0.45	V	1
Output Low Voltage @ I <sub>OL</sub> =3.2 mA (Ports 0, ALE)	V <sub>OL2</sub>		0.15	0.45	V	1
Output High Voltage @ I <sub>OH</sub> =-80 μA (Ports 1, 2, 3)	V <sub>OH1</sub>	2.4	4.8		V	1
Output High Voltage @ I <sub>OH</sub> =-400 μA (Ports 0, ALE)	V <sub>OH2</sub>	2.4	4.8		V	1
Input Low Current V <sub>IN</sub> =0.45V (Ports 1, 2, 3)	I <sub>IL</sub>			-50	μA	
Transition Current; 1 to 0 V <sub>IN</sub> =2.0V (Ports 1, 2, 3)	I <sub>TL</sub>			-500	μA	
Input Leakage Current 0.45<V <sub>IN</sub> <V <sub>CC</sub> (Port 0)	I <sub>IL</sub>			±10	μA	
RST Pulldown Resistor	R <sub>RE</sub>	40		150	KΩ	
Power Fail Warning Voltage	V <sub>PRW</sub>	4.25	4.37	4.50	V	1
Minimum Operating Voltage	V <sub>CCMIN</sub>	4.00	4.12	4.25	V	1
Operating Current @ 16 MHz	I <sub>CC</sub>			45	mA	4
Idle Mode Current @ 12 MHz	I <sub>IDLE</sub>			7.0	mA	5
Stop Mode current	I <sub>STOP</sub>			80	μA	6
Pin Capacitance	C <sub>IN</sub>			10	pF	7
Reset Trip Point in Stop Mode w/BAT=3.0V w/BAT=3.3V		4.0 4.4		4.25 4.65	V	1
SDI Input Low Voltage	V <sub>ILS</sub>			0.4	V	1
SDI Input High Voltage	V <sub>IHS</sub>	2.0		V <sub>CC</sub>	V	1, 2
SDI Input High Voltage	V <sub>IHS</sub>	2.0		3.5	V	1, 2
SDI Pull-Down Resistor	R <sub>SDI</sub>	25		60	KΩ	



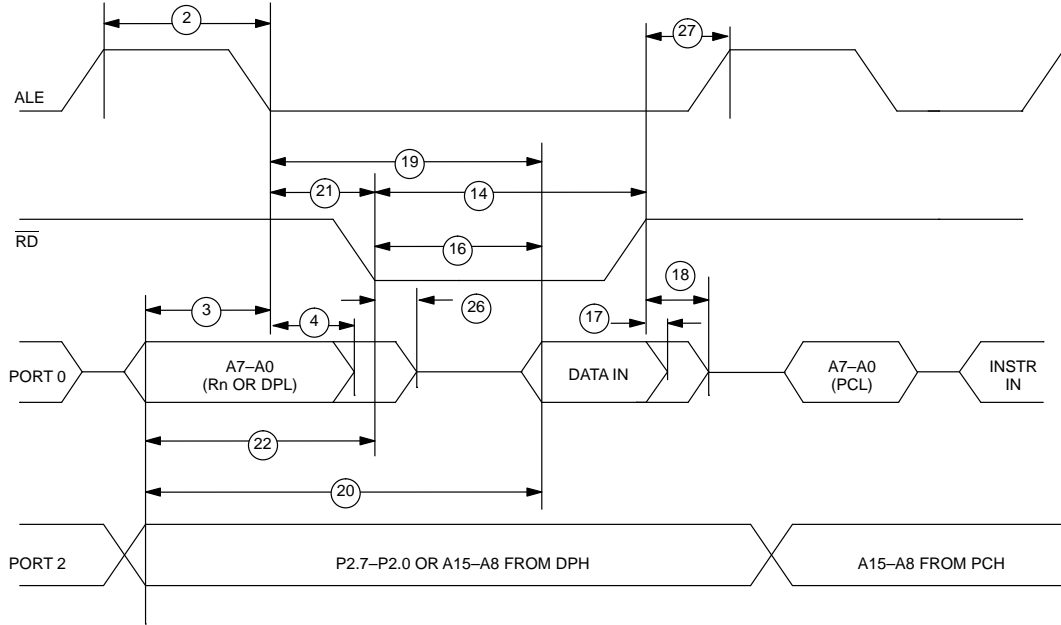
**AC CHARACTERISTICS** $(t_A = 0^\circ\text{C to } 70^\circ\text{C}; V_{CC} = 0\text{V to } 5\text{V})$ 

PARAMETER	SYMBOL	MIN	TYP	MAX	UNITS	NOTES
SDI Pulse Reject	$t_{SPR}$			2	$\mu\text{s}$	3
SDI Pulse Accept	$t_{SPA}$	10			$\mu\text{s}$	3

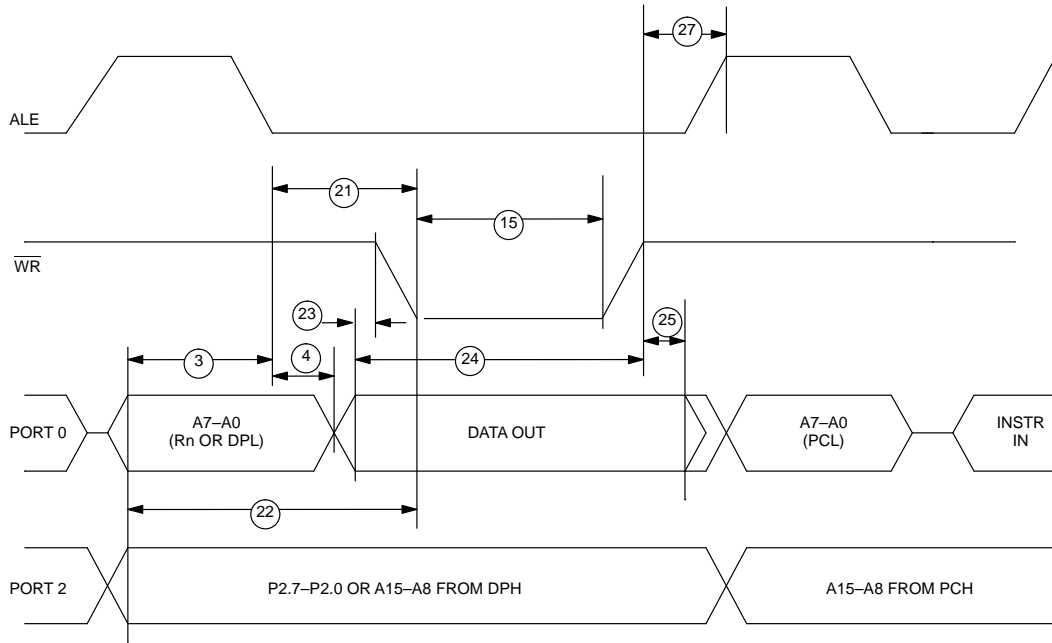
**AC CHARACTERISTICS****EXPANDED BUS MODE TIMING SPECIFICATIONS** $(t_A = 0^\circ\text{C to } 70^\circ\text{C}; V_{CC} = 5\text{V} \pm 10\%)$ 

#	PARAMETER	SYMBOL	MIN	MAX	UNITS
1	Oscillator Frequency	$1/t_{CLK}$	1.0	16 (-16)	MHz
2	ALE Pulse Width	$t_{ALPW}$	$2t_{CLK}-40$		ns
3	Address Valid to ALE Low	$t_{AVALL}$	$t_{CLK}-40$		ns
4	Address Hold After ALE Low	$t_{AVAAV}$	$t_{CLK}-35$		ns
14	$\overline{RD}$ Pulse Width	$t_{RDPW}$	$6t_{CLK}-100$		ns
15	$\overline{WR}$ Pulse Width	$t_{WRPW}$	$6t_{CLK}-100$		ns
16	$\overline{RD}$ Low to Valid Data In @ 12 MHz @ 16 MHz	$t_{RDLDV}$		$5t_{CLK}-165$ $5t_{CLK}-105$	ns ns
17	Data Hold after $\overline{RD}$ High	$t_{RDHDV}$	0		ns
18	Data Float after $\overline{RD}$ High	$t_{RDHDZ}$		$2t_{CLK}-70$	ns
19	ALE Low to Valid Data In @ 12 MHz @ 16 MHz	$t_{ALLVD}$		$8t_{CLK}-150$ $8t_{CLK}-90$	ns ns
20	Valid Addr. to Valid Data In @ 12 MHz @ 16 MHz	$t_{AVDV}$		$9t_{CLK}-165$ $9t_{CLK}-105$	ns ns
21	ALE Low to $\overline{RD}$ or $\overline{WR}$ Low	$t_{ALLRDL}$	$3t_{CLK}-50$	$3t_{CLK}+50$	ns
22	Address Valid to $\overline{RD}$ or $\overline{WR}$ Low	$t_{AVRDL}$	$4t_{CLK}-130$		ns
23	Data Valid to $\overline{WR}$ Going Low	$t_{DVWRL}$	$t_{CLK}-60$		ns
24	Data Valid to $\overline{WR}$ High @ 12 MHz @ 16 MHz	$t_{DVWRH}$	$7t_{CLK}-150$ $7t_{CLK}-90$		ns ns
25	Data Valid after $\overline{WR}$ High	$t_{WRHDV}$	$t_{CLK}-50$		ns
26	$\overline{RD}$ Low to Address Float	$t_{RDLAZ}$		0	ns
27	$\overline{RD}$ or $\overline{WR}$ High to ALE High	$t_{RDHALH}$	$t_{CLK}-40$	$t_{CLK}+50$	ns

**EXPANDED DATA MEMORY READ CYCLE**

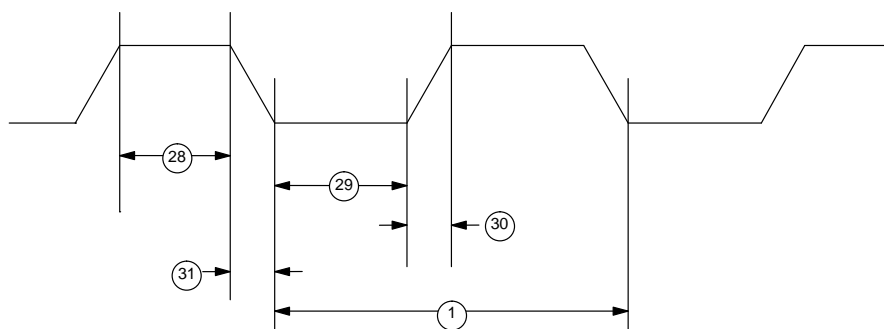


**EXPANDED DATA MEMORY WRITE CYCLE**

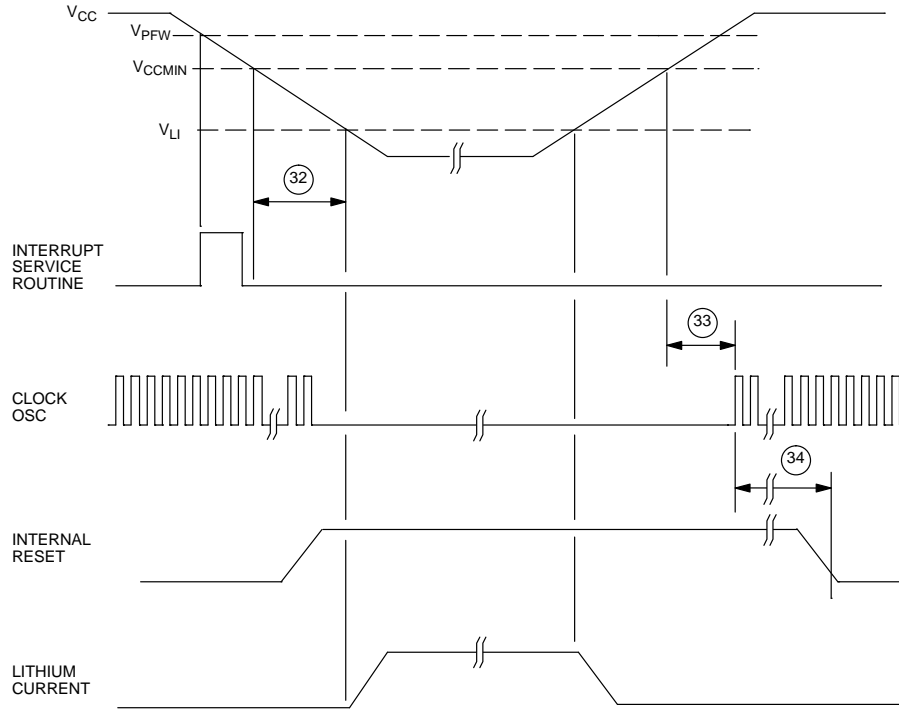


**AC CHARACTERISTICS (cont'd)****EXTERNAL CLOCK DRIVE** $(t_A = 0^\circ\text{C to }70^\circ\text{C}; V_{CC} = 5V \pm 10\%)$ 

#	PARAMETER	SYMBOL	MIN	MAX	UNITS
28	External Clock High Time @12 MHz @16 MHz	$t_{CLKHPW}$	20 15		ns ns
29	External Clock Low Time @12 MHz @16 MHz	$t_{CLKLPW}$	20 15		ns ns
30	External Clock Rise Time @12 MHz @16 MHz	$t_{CLKR}$		20 15	ns ns
31	External Clock Fall Time @12 MHz @16 MHz	$t_{CLKF}$		20 15	ns ns

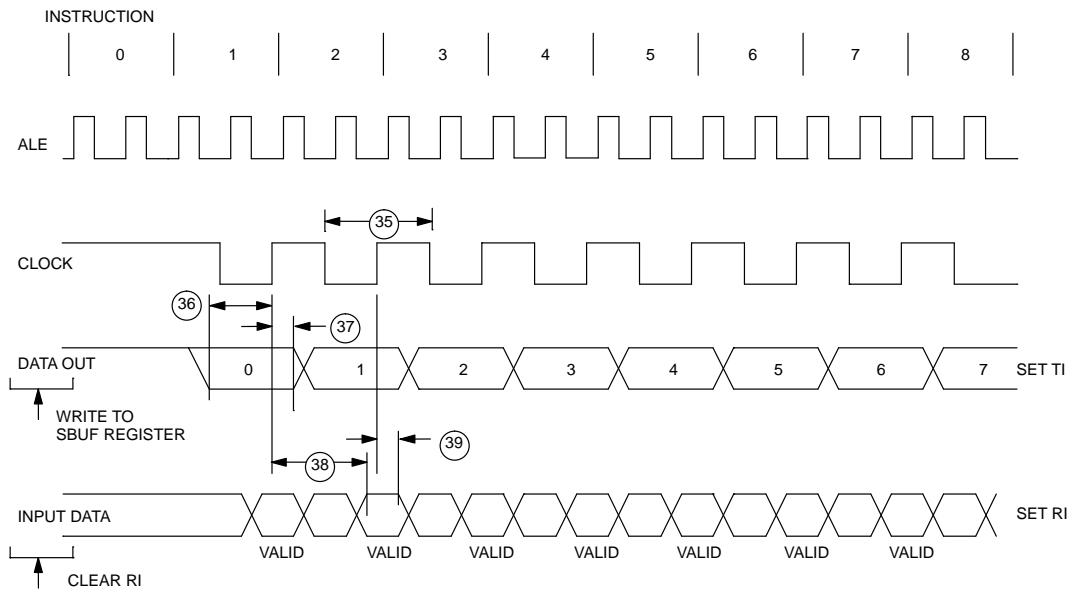
**EXTERNAL CLOCK TIMING****AC CHARACTERISTICS (cont'd)****POWER CYCLING TIMING** $(t_A = 0^\circ\text{C to }70^\circ\text{C}; V_{CC} = 5V \pm 10\%)$ 

#	PARAMETER	SYMBOL	MIN	MAX	UNITS
32	Slew Rate from $V_{CCMIN}$ to $V_{LI}$	$t_F$	130		$\mu\text{s}$
33	Crystal Start up Time	$t_{CSU}$		(note 8)	
34	Power On Reset Delay	$t_{POR}$		21504	$t_{CLK}$

**POWER CYCLE TIMING****AC CHARACTERISTICS (cont'd)****SERIAL PORT TIMING – MODE 0** $(t_A = 0^\circ\text{C to } 70^\circ\text{C}; V_{CC} = 5\text{V} \pm 10\%)$ 

#	PARAMETER	SYMBOL	MIN	MAX	UNITS
35	Serial Port Clock Cycle Time	$t_{SPCLK}$	$12t_{CLK}$		$\mu\text{s}$
36	Output Data Setup to Rising Clock Edge	$t_{DOCH}$	$10t_{CLK}-133$		ns
37	Output Data Hold after Rising Clock Edge	$t_{CHDO}$	$2t_{CLK}-117$		ns
38	Clock Rising Edge to Input Data Valid	$t_{CHDV}$		$10t_{CLK}-133$	ns
39	Input Data Hold after Rising Clock Edge	$t_{CHDIV}$	0		ns

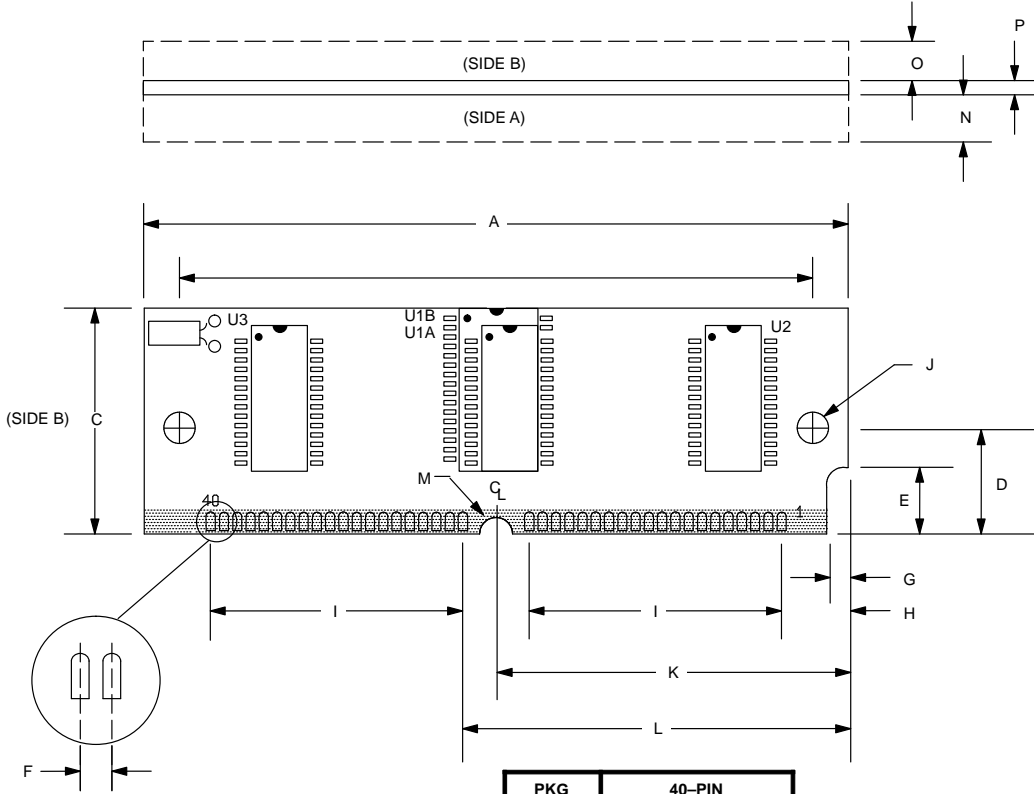
## SERIAL PORT TIMING – MODE 0



### NOTES:

1. All voltage referenced to ground.
2. SDI should be taken to a logic high when  $V_{CC}=+5V$ , and to approximately 3V when  $V_{CC}<3V$ .
3. SDI is deglitched to prevent accidental destruction. The pulse must be longer than  $t_{SPR}$  to pass the deglitcher, but SDI is not guaranteed unless it is longer than  $t_{SPA}$ .
4. Maximum operating  $I_{CC}$  is measured with all output pins disconnected; XTAL1 driven with  $t_{CLKR}$ ,  $t_{CLKF}=10$  ns,  $V_{IL} = 0.5V$ ; XTAL2 disconnected; RST = PORT0 =  $V_{CC}$ .
5. Idle mode  $I_{IDLE}$  is measured with all output pins disconnected; XTAL1 driven with  $t_{CLKR}$ ,  $t_{CLKF} = 10$  ns,  $V_{IL} = 0.5V$ ; XTAL2 disconnected; PORT0 =  $V_{CC}$ , RST =  $V_{SS}$ .
6. Stop mode  $I_{STOP}$  is measured with all output pins disconnected; PORT0 =  $V_{CC}$ ; XTAL2 not connected; RST = XTAL1 =  $V_{SS}$ .
7. Pin capacitance is measured with a test frequency – 1 MHz,  $t_A = 25^\circ C$ .
8. Crystal start-up time is the time required to get the mass of the crystal into vibrational motion from the time that power is first applied to the circuit until the first clock pulse is produced by the on-chip oscillator. The user should check with the crystal vendor for a worst case specification on this time.

**PACKAGE DRAWING**



PKG	40-PIN		
	DIM	MIN	MAX
A	2.645	2.655	
B	2.379	2.389	
C	0.995	1.005	
D	0.395	0.405	
E	0.245	0.255	
F	0.050 BSC		
G	0.075	0.085	
H	0.245	0.255	
I	0.950 BSC		
J	0.120	0.130	
K	1.320	1.330	
L	1.445	1.455	
M	0.057	0.067	
N	-	0.300	
O	-	0.165	
P	-	0.054	