

## Features

- **Audio Processor**
  - Proprietary Digital Signal Processor
  - MP3 (Full MPEG I/II-Layer 3) Decoder <sup>(1)</sup>
  - Windows Media<sup>®</sup> Audio (WMA) Decoder <sup>(1)</sup>
  - OGG (Vorbis) Decoder <sup>(2)</sup>
  - WAV PCM Decoder/Encoder
  - ADPCM Decoder/Encoder (G726: 40, 32, 24, 16 Kbps)
- **Audio Codec**
  - 16-bit Stereo D/A Converters<sup>(3)</sup>
  - Headphone Amplifier with Analog Volume Control<sup>(3)</sup>
  - Microphone Pre-Amplifier with Bias Control
  - 16-bit Mono A/D Converter: Microphone or Line Inputs Recording
  - Stereo Lines Input for FM Playback or Mono Recording
  - Baseband Sound Processor with Digital Volume Control, Bass, Medium, and Treble Control, Bass Boost and Virtual Surround Effects
- **Digital Audio DAC Interface**
  - PCM / I<sup>2</sup>S Format Compatible
- **USB Rev 2.0 Controller**
  - High Speed Mode (480 Mbps)
  - Full Speed Mode (12 Mbps)
  - On The Go Full Speed Mode
- **Data Flow Controller**
  - 16-bit Multimedia Bus with 2 DMA Channels for high speed transfer with USB
- **Nand Flash Controller**
  - Up to four Memories with Page Size: 512B, 1KB, 2KB or 4KB
  - Built-in ECC and Hardware Write Protection
  - xD-Picture Card<sup>™</sup> and SmartMedia<sup>®</sup> Card Interface
- **MultiMediaCard<sup>®</sup> Controller**
  - MultiMediaCard 1-bit / 4-bits Modes (V4.0 compatible)
  - Secure Digital Card 1-bit / 4-bit Modes
- **Man Machine Interface**
  - Glueless Generic LCD Interface
  - Keyboard Interface
- **Remote Controlled / Streaming**
  - PSI I80 Slave Interface (EBI Compatible) up to 6Mbyte/s
  - SPI Master and Slave Modes
  - Full Duplex UART with Baud Rate Generator up to 6 Mbit/s (Rx, Tx, RTS, CTS)
- **Control Processor**
  - Enhanced 8-bit MCU C51 Core ( $F_{MAX} = 24$  MHz)
  - 64K Bytes of Internal RAM for application code and data
  - Boot ROM Memory: Secured Nand Flash Boot Strap (standard), USB Boot Loader
  - Two 16-bit Timers/Counters
  - Hardware Watchdog Timer
- **Power Management**
  - 1.8V 40 mA Single AAA or AA Battery Powered<sup>(4)</sup>
  - Direct USB  $V_{BUS}$  Supply
  - 3V - 50 mA Regulator Output
  - 1.8V - 50 mA Regulator Output
  - Battery Voltage Monitoring
  - Power-on Reset
  - Software Programmable MCU Clock
  - Idle, Power-Down, Power-Off Modes
- **On Chip Debug**
- **Operating Conditions**
  - Supply 0.9V to 5V
  - 25 mA Typical Operating at 25°C (estimation to be confirmed)
  - Temperature Range: -40°C to +85°C



## Single-Chip Digital Audio Decoder - Encoder with USB 2.0 Interface

AT85C51SND3B1  
AT85C51SND3B2  
AT85C51SND3B3

Preliminary

7632A-MP3-03/06



- **Packages**

- LQFP100, BGA100, Dice

- Notes:
1. See Ordering Information
  2. Future product
  3. AT85C51SND3B2 & AT85C51SND3B3 only
  4. AT85C51SND3B3 only

## Description

Digital Music Players, Mobile Phones need ready to use low-cost solutions for very fast time to market. The AT85C51SND3Bx with associated firmware embeds in a single chip all features, hardware and software, for Digital Music Players, Mobile Phones and Car Audio Systems: MP3 decoder, WMA decoder, Display interface, serial interface, parallel interface, USB high speed and USB host.

Close to a plug and play solution for most applications, the AT85C51SND3Bx drastically reduces system development for the best time to market. The AT85C51SND3Bx handles full file system management with Nand Flash and Flash Cards, including full detection and operation of a thumb drive. The AT85C51SND3A is used either as a master controller, or as a slave controller interfacing easily with most of the base-band or host processors available on the market.

In addition to the MP3 and WMA format, the AT85C51SND3Bx associated firmware will also later support, the OGG format, basic MIDI features for low cost mobile phones and JPEG still pictures decoding. The AT85C51SND3B is ideally fitting mass production markets.

The AT85C51SND3Bx includes Power Management with: 5V USB  $V_{BUS}$  direct supply, 2.7V to 3.6V supply, 1.8V supply or alkaline battery supply (0.9V to 1.8V). External Nand Flash or Flash Card can be supplied by the AT85C51SND3B at 1.8V or 3V.

The AT85C51SND3Bx supports many applications including: mobile phones, music players, portable navigation, car audio, music in shopping centers, applications including MMC/SD Flash Cards in Industrial applications.

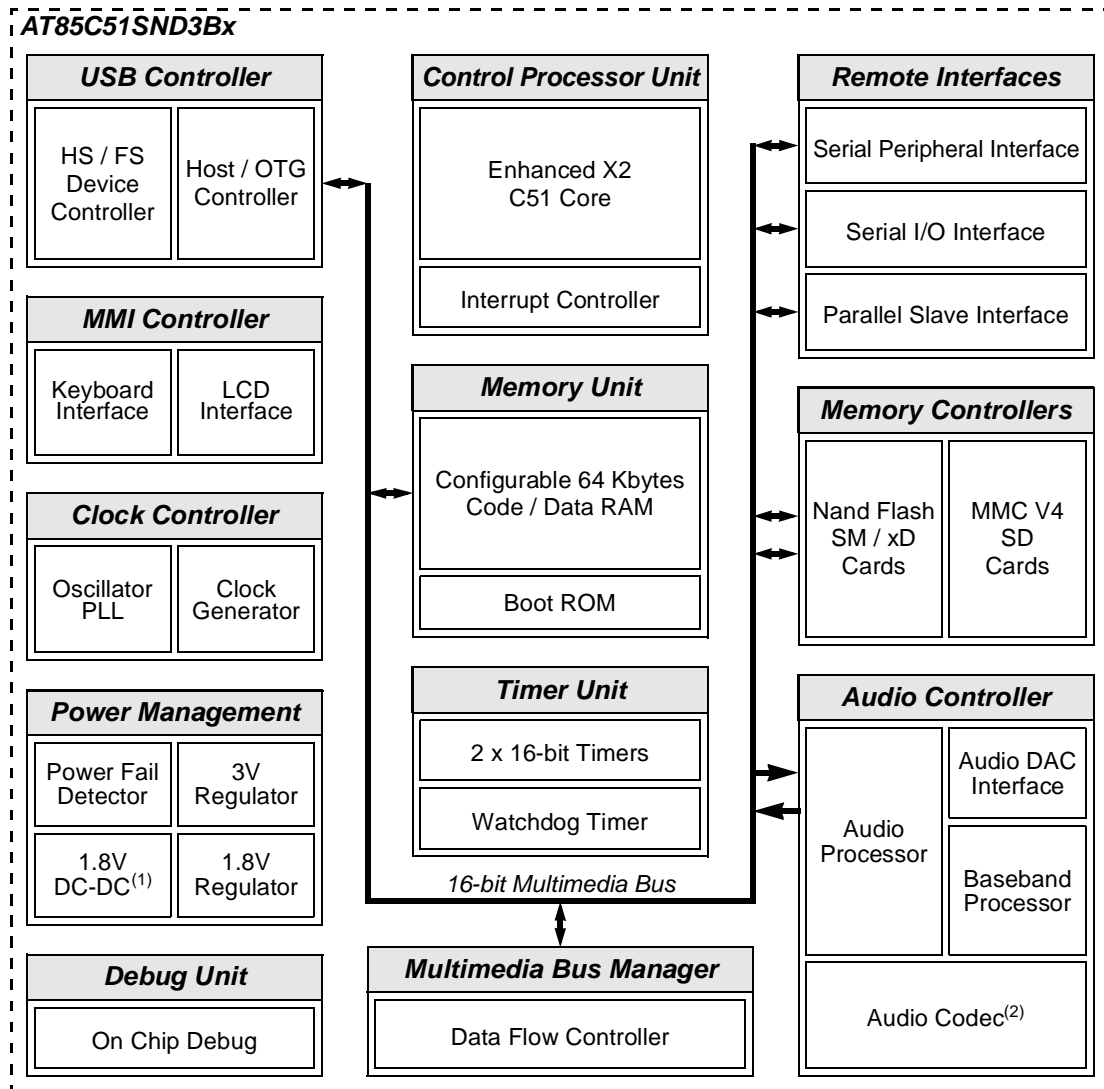
To facilitate custom applications with the AT85C51SND3Bx, a development kit AT85DVK-07 is available with hardware and firmware database.

## Key Features

- Firmware to support
  - MP3
  - WMA
  - ADPCM/WAV voice or line recording
  - and coming soon OGG, MIDI and JPEG Decoder
- Audio Codec
  - Internal DAC
  - FM inputs
- Memory Support
  - Up to 4x Nand-Flash
  - SD/MMC cards
- USB
  - High Speed, Full Speed
  - OTG (reduced Host)

## Block Diagram

Figure 1. AT85C51SND3Bx Block Diagram



- Notes: 1. AT85C51SND3B3 only  
 2. AT85C51SND3B2 & AT85C51SND3B3 only

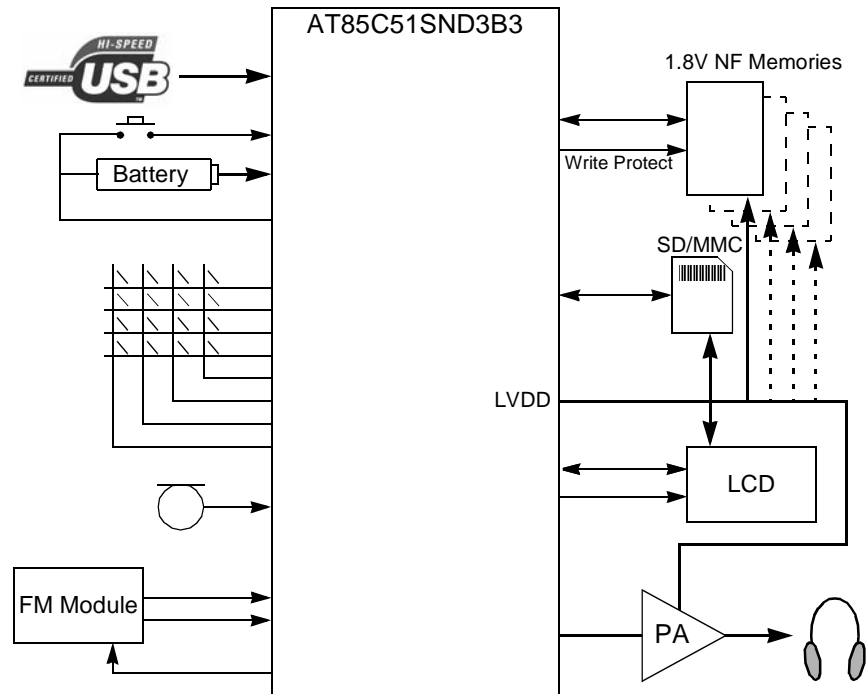
## Application Information

The AT85C51SND3Bx allow design of 2 typical applications which differentiate by the power supply voltage:

- The Very Low Voltage System  
The player operates at 1.8V and allows very low power consumption.
- The Low Voltage System  
The player operates at 3V and allows low power consumption.

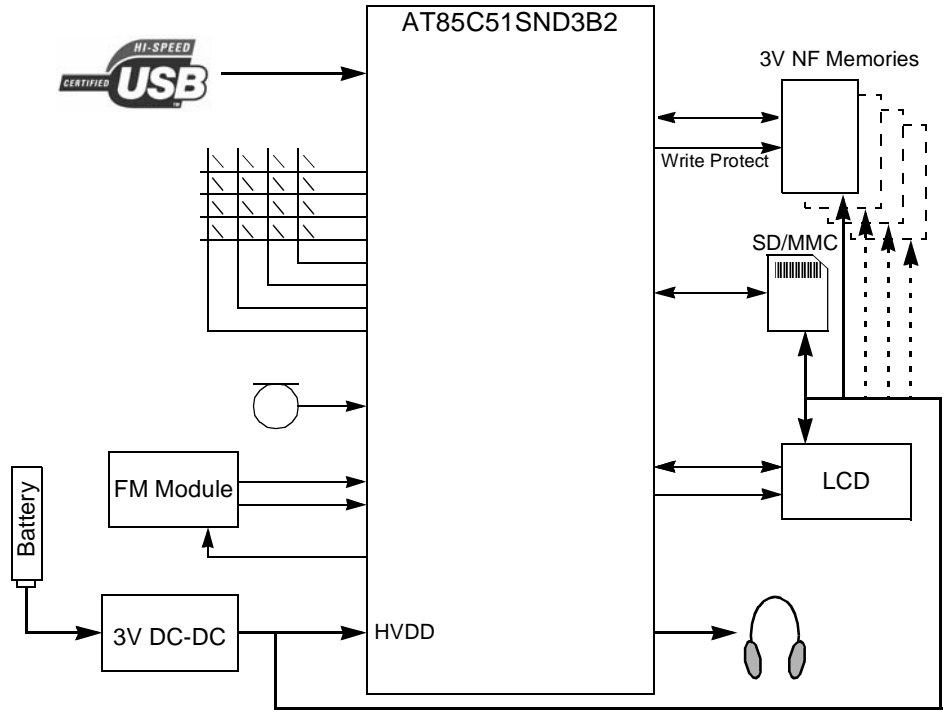
### Very Low Voltage 1.8V System

Figure 2. Typical Very Low Voltage 1.8V Application



Low Voltage 3V System

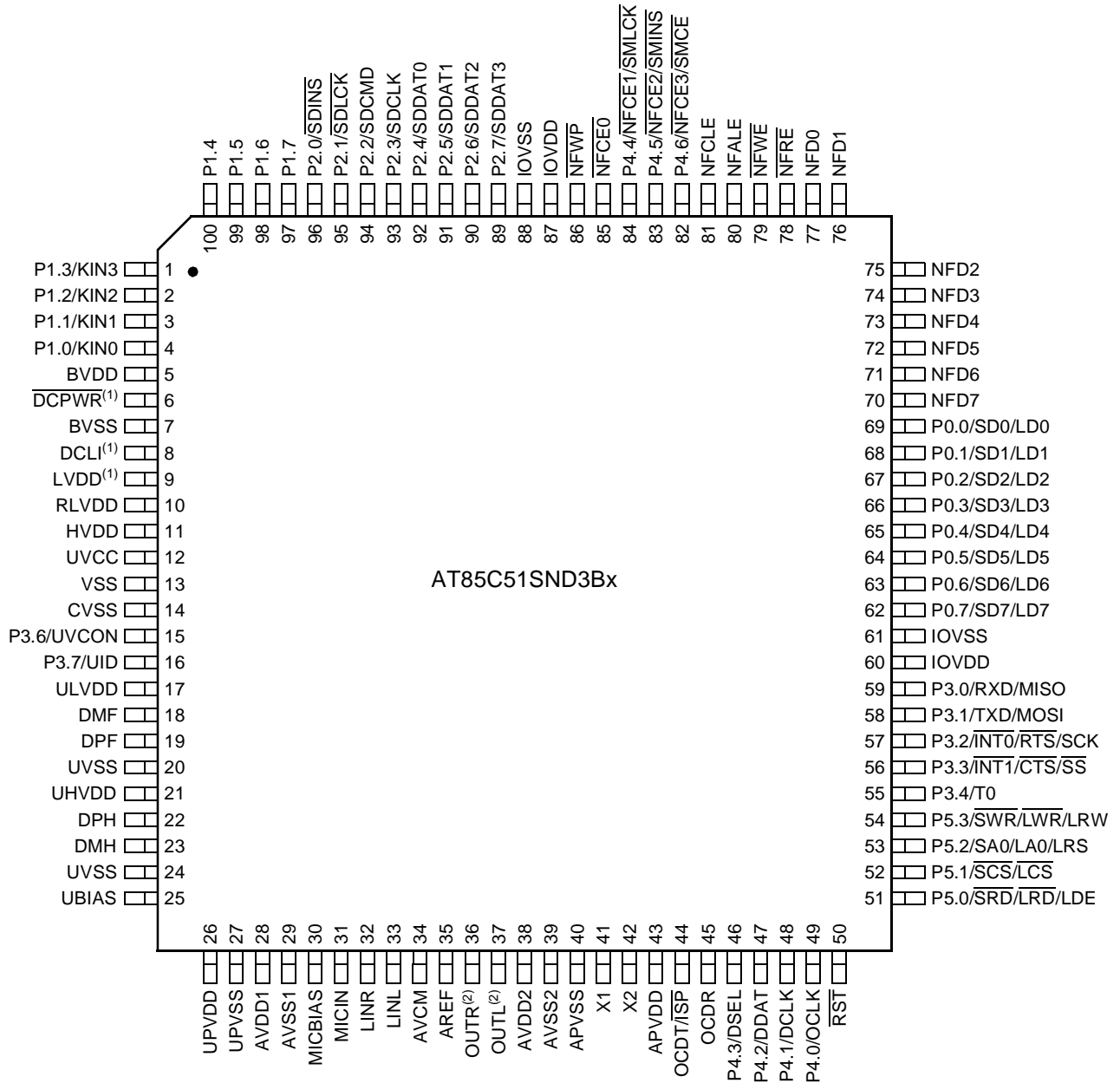
Figure 3. Typical Low Voltage 3V Application



# Pin Description

## Pinouts

Figure 4. AT85C51SND3Bx 100-pin QFP Package



- Notes:
1. Leave these pins unconnected for AT85C51SND3B1 & AT85C51SND3B2 products
  2. Leave these pins unconnected for AT85C51SND3B1 product

Signals Description

System

Table 1. System Signal Description

Signal Name	Type	Description	Alternate Function
$\overline{\text{RST}}$	I/O	<p><b>Reset Input</b> Holding this pin low for 64 oscillator periods while the oscillator is running resets the device. The Port pins are driven to their reset conditions when a voltage lower than <math>V_{IL}</math> is applied, whether or not the oscillator is running.</p> <p>This pin has an internal pull-up resistor (<math>R_{RST}</math>) which allows the device to be reset by connecting a capacitor between this pin and <math>V_{SS}</math>. Asserting <math>\overline{\text{RST}}</math> when the chip is in Idle mode or Power-Down mode returns the chip to normal operation.</p> <p>In order to reset external components connected to the <math>\overline{\text{RST}}</math> line a low level 96-clock period pulse is generated when the watchdog timer reaches its time-out period.</p>	-
$\overline{\text{ISP}}$	I	<p><b>In System Programming</b> Assert this pin during reset phase to enter the in system programming mode.</p>	OCDT

Table 2. Ports Signal Description

Signal Name	Type	Description	Alternate Function
P0.7:0	I/O	<p><b>Port 0</b> P0 is an 8-bit bidirectional I/O port with internal pull-ups.</p>	LD7:0
P1.7:0	I/O	<p><b>Port 1</b> P1 is an 8-bit bidirectional I/O port with internal pull-ups.</p>	KIN3:0
P2.7:0	I/O	<p><b>Port 2</b> P2 is an 8-bit bidirectional I/O port with internal pull-ups.</p>	$\overline{\text{SDINS}}$ $\overline{\text{SDLCK}}$ $\overline{\text{SDCMD}}$ $\overline{\text{SDCLK}}$ $\overline{\text{SDDAT3:0}}$
P3.4:0 P3.7:6	I/O	<p><b>Port 3</b> P3 is a 7-bit bidirectional I/O port with internal pull-ups.</p>	RXD MISO TXD MOSI $\overline{\text{INT0}}$ $\overline{\text{RTS}}$ $\overline{\text{SCK}}$ $\overline{\text{INT1}}$ $\overline{\text{CTS}}$ $\overline{\text{SS}}$ TO UVCON UID

Signal Name	Type	Description	Alternate Function
P4.6:0	I/O	<b>Port 4</b> P4 is a 7-bit bidirectional I/O port with internal pull-ups.	OCLK DCLK DDAT DSEL <u>NFCE1/SMLCK</u> <u>NFCE2/SMINS</u> <u>NFCE3/SMCE</u>
P5.3:0	I/O	<b>Port 5</b> P5 is a 4-bit bidirectional I/O port with internal pull-ups.	<u>LRD/LDE</u> SDR <u>LCS</u> SCS LA0/LRS SA0 <u>LWR/LRW</u> SWR

**Table 3.** Timer 0 and Timer 1 Signal Description

Signal Name	Type	Description	Alternate Function
<u>INT0</u>	I	<b>Timer 0 Gate Input</b> <u>INT0</u> serves as external run control for timer 0, when selected by GATE0 bit in TCON register. <b>External Interrupt 0</b> <u>INT0</u> input sets IE0 in the TCON register. If bit IT0 in this register is set, bit IE0 is set by a falling edge on <u>INT0</u> . If bit IT0 is cleared, bit IE0 is set by a low level on <u>INT0</u> .	P3.2 <u>RTS</u> SCK
<u>INT1</u>	I	<b>Timer 1 Gate Input</b> <u>INT1</u> serves as external run control for timer 1, when selected by GATE1 bit in TCON register. <b>External Interrupt 1</b> <u>INT1</u> input sets IE1 in the TCON register. If bit IT1 in this register is set, bit IE1 is set by a falling edge on <u>INT1</u> . If bit IT1 is cleared, bit IE1 is set by a low level on <u>INT1</u> .	P3.3 <u>CTS</u> SS
T0	I	<b>Timer 0 External Clock Input</b> When timer 0 operates as a counter, a falling edge on the T0 pin increments the count.	P3.4



## Clock Controller

**Table 4.** Clock Signal Description

Signal Name	Type	Description	Alternate Function
X1	I	<b>Input of the on-chip inverting oscillator amplifier</b> To use the internal oscillator, a crystal/resonator circuit is connected to this pin. If an external oscillator is used, its output is connected to this pin. X1 is the clock source for internal timing.	-
X2	O	<b>Output of the on-chip inverting oscillator amplifier</b> To use the internal oscillator, a crystal/resonator circuit is connected to this pin. If an external oscillator is used, leave X2 unconnected.	-
UPVDD	PWR	<b>USB PLL Supply voltage</b> Connect this pin to LVDD pin.	-
UPVSS	GND	<b>USB PLL Circuit Ground</b> Connect this pin to LVSS pin.	-
APVDD	PWR	<b>Audio PLL Supply voltage</b> Connect this pin to LVDD pin.	-
APVSS	GND	<b>Audio PLL Circuit Ground</b> Connect this pin to LVSS pin.	-

## Memory Controllers

**Table 5.** Secure Digital Card / MultiMediaCard Controller Signal Description

Signal Name	Type	Description	Alternate Function
SDCLK	O	<b>SD/MMC Clock</b> Data or command clock transfer.	P2.3
SDCMD	I/O	<b>SD/MMC Command Line</b> Bidirectional command line used for commands and responses transfer.	P2.2
SDDAT3:0	I/O	<b>SD/MMC Data Lines</b> Bidirectional data lines. In 1-bit mode configuration SDDAT0 is the DAT signal and SDDAT3:1 are not used and can be reused as I/O ports.	P2.7:4
$\overline{\text{SDINS}}$	I	<b>SD/MMC Card Insertion Signal</b> $\overline{\text{SDINS}}$ is the card presence signal. A low level on this input indicates the card is present in its slot. Note: This signal is generated by the SD/MMC card connector.	P2.0
$\overline{\text{SDLCK}}$	I	<b>SD Card Write Lock Signal</b> $\overline{\text{SDLCK}}$ is the SD Card write protected input. A low level on this pin indicates the card is write protected. Note: This signal is generated by the SD/MMC card connector.	P2.1

**Table 6.** Nand Flash / SmartMedia Card Controller Signal Description

Signal Name	Type	Description	Alternate Function
NFD7:0	I/O	<b>Memory Data Bus</b> 8-bit bidirectional data bus.	-
NFALE	O	<b>Address Latch Enable Signal</b> Asserted high during address write cycle.	-

Signal Name	Type	Description	Alternate Function
NFCLE	O	<b>Command Latch Enable Signal</b> Asserted high during command write cycle.	-
$\overline{\text{NFRE}}$	O	<b>Read Enable Signal</b> Read signal asserted low during NF/SMC read operation.	-
$\overline{\text{NFWE}}$	O	<b>Write Enable Signal</b> Write signal asserted low during NF/SMC write operation.	-
$\overline{\text{NFCE0}}$	O	<b>Nand Flash 0 Chip Enable</b> $\overline{\text{NFCE0}}$ is active low and is asserted by the nand flash controller each time it makes access to the device 0.	-
$\overline{\text{NFCE1}}$	O	<b>Nand Flash 1 Chip Enable</b> $\overline{\text{NFCE1}}$ is active low and is asserted by the nand flash controller each time it makes access to the selected device.	P4.4
$\overline{\text{SMLCK}}$	I	<b>SmartMediaCard/xD-Picture Card Write Lock Signal</b> $\overline{\text{SMLCK}}$ is the card write protected input. A low level on this pin indicates the card is write protected. Note: When used as $\overline{\text{SMLCK}}$ input, pad has internal pull-up.	
$\overline{\text{NFCE2}}$	O	<b>Nand Flash 2 Chip Enable</b> $\overline{\text{NFCE2}}$ is active low and is asserted by the nand flash controller each time it makes access to the selected device.	P4.5
$\overline{\text{SMINS}}$	I	<b>SmartMediaCard/xD-Picture Card Insertion Signal</b> $\overline{\text{SMINS}}$ is the card presence signal. A low level on this input indicates the card is present in its slot. Note: When used as $\overline{\text{SMINS}}$ input, pad has internal pull-up.	
$\overline{\text{NFCE3}}$	O	<b>Nand Flash 3 Chip Enable</b> $\overline{\text{NFCE3}}$ is active low and is asserted by the nand flash controller each time it makes access to the selected device.	P4.6
$\overline{\text{SMCE}}$		<b>SmartMediaCard/xD-Picture Card Chip Enable</b> $\overline{\text{SMCE}}$ is active low and is asserted by the nand flash controller each time it makes access to the card.	
$\overline{\text{NFWP}}$	O	<b>Write Protect Signal</b> $\overline{\text{NFWP}}$ is the Nand Flash / SmartMediaCard/xD-Picture Card write protect signal. This signal is active low and is set to low during reset in order to protect the memory against parasitic writes.	-

## USB Controller

**Table 7.** USB Controller Signal Description

Signal Name	Type	Description	Alternate Function
DPF	I/O	<b>USB Full Speed Positive Data Upstream Port</b>	-
DMF	I/O	<b>USB Full Speed Minus Data Upstream Port</b>	-
DPH	I/O	<b>USB High Speed Plus Data Upstream Port</b>	-
DMH	I/O	<b>USB High Speed Minus Data Upstream Port</b>	-
UVCON	O	<b>USB VBUS Control line</b> UVCON is used to control the external VBUS power supply ON or OFF. Note: This output is requested for OTG mode.	P3.6

Signal Name	Type	Description	Alternate Function
UID	I	<b>USB OTG Identifier Input</b> This pin monitors the function of the OTG device. Note: This input is requested for OTG mode.	P3.7
UVCC	PWR	<b>USB Supply Voltage</b> Connect this pin to USB $V_{BUS}$ power line.	-
ULVDD	PWR	<b>USB Pad Low Voltage</b> Connect this pin to LVDD pin.	-
UHVDD	PWR	<b>USB Pad High Voltage</b> Connect this pin to HVDD pin.	-
UVSS	GND	<b>USB Ground</b>	-
UBIAS	O	<b>USB Bias</b> Connect this pin to external resistor and capacitor.	

## Audio Processor

**Table 8.** I2S Output Description

Signal Name	Type	Description	Alternate Function
OCLK	O	<b>Over-sampling Clock Line</b>	P4.0
DCLK	O	<b>Data Clock Line</b>	P4.1
DDAT	O	<b>Data Lines</b>	P4.2
DSEL	O	<b>Data Channel Selection Line</b>	P4.3

**Table 9.** Audio Codec Description

Signal Name	Type	Description	Alternate Function
LINR	I	<b>Right Channel Analog Input</b>	-
LINL	I	<b>Left Channel Analog Input</b>	-
MICIN	I	<b>Electret Microphone Analog Input</b>	-
MICBIAS	O	<b>Electret Microphone Bias Output</b>	-
OUTR	O	<b>Right Channel Output</b> Do not connect on AT85C51SND3B1 product	-
OUTL	O	<b>Left Channel Output</b> Do not connect on AT85C51SND3B1 product	-
AVCM	I	<b>Analog Common Mode Voltage</b> Connect this pin to external decoupling capacitor.	-
AREF	O	<b>Analog Reference Voltage</b> Connect this pin to external decoupling capacitor.	-
AVDD1	PWR	<b>Analog Power Supply 1</b> Connect this pin to LVDD pin.	-
AVSS1	GND	<b>Analog Ground 1</b> Connect this pin to LVSS pin.	-

Signal Name	Type	Description	Alternate Function
AVDD2	PWR	<b>Analog Power Supply 2</b> Low Voltage system: connect this pin to LVDD pin. High voltage system: connect this pin to external +3V power supply.	-
AVSS2	GND	<b>Analog Ground 2</b> Low Voltage system: connect this pin to LVSS pin. High voltage system: connect this pin to external +3V ground.	-

## Parallel Slave Interface

**Table 10.** PSI Signal Description

Signal Name	Type	Description	Alternate Function
SD7:0	I/O	<b>Slave Data Bus</b> 8-bit bidirectional data bus.	P0.7:0 LD7:0
$\overline{\text{SRD}}$	I	<b>Slave Read Signal</b> Read signal asserted low during external host read operation.	P5.0 $\overline{\text{LRD/LDE}}$
$\overline{\text{SWR}}$	I	<b>Slave Write Signal</b> Write signal asserted low during external host write operation.	P5.3 $\overline{\text{LWR/LRW}}$
$\overline{\text{SCS}}$	I	<b>Slave Chip Select</b> Select signal asserted low during external host read or write operation.	P5.1 $\overline{\text{LCS}}$
SA0	I	<b>Slave Address Bit 0</b> Address signal asserted during external host read or write operation.	P5.2 LA0/LRS

## Serial Interfaces

**Table 11.** SPI Controller Signal Description

Signal Name	Type	Description	Alternate Function
MISO	I/O	<b>SPI Master Input Slave Output Data Line</b> When in master mode, MISO receives data from the slave peripheral. When in slave mode, MISO outputs data to the master controller.	P3.0 RXD
MOSI	I/O	<b>SPI Master Output Slave Input Data Line</b> When in master mode, MOSI outputs data to the slave peripheral. When in slave mode, MOSI receives data from the master controller.	P3.1 TXD
SCK	I/O	<b>SPI Clock Line</b> When in master mode, SCK outputs clock to the slave peripheral. When in slave mode, SCK receives clock from the master controller.	P3.2 $\overline{\text{INT0}}$ RTS
$\overline{\text{SS}}$	I	<b>SPI Slave Select Line</b> When in controlled slave mode, $\overline{\text{SS}}$ enables the slave mode.	P3.3 $\overline{\text{INT1}}$ $\overline{\text{CTS}}$

**Table 12.** SIO Signal Description

Signal Name	Type	Description	Alternate Function
RXD	I/O	<b>Receive Serial Data</b> RXD sends and receives data in serial I/O mode 0 and receives data in serial I/O modes 1, 2 and 3.	P3.0 MISO

Signal Name	Type	Description	Alternate Function
TXD	O	<b>Transmit Serial Data</b> TXD outputs the shift clock in serial I/O mode 0 and transmits data in serial I/O modes 1, 2 and 3.	P3.1 MOSI
$\overline{\text{RTS}}$	O	<b>Request To Send Hardware Handshake Line</b> Asserted low by hardware when SIO is ready to receive data.	P3.2 $\overline{\text{INT0}}$ SCK
$\overline{\text{CTS}}$	I	<b>Clear To Send Hardware Handshake Line</b> Asserted low by external hardware when SIO is allowed to send data.	P3.3 $\overline{\text{INT1}}$ $\overline{\text{SS}}$

## MMI Interface

**Table 13.** Keypad Controller Signal Description

Signal Name	Type	Description	Alternate Function
KIN3:0	I	<b>Keypad Input lines</b> Holding one of these pins high or low for 24 oscillator periods triggers a keypad interrupt.	P1.3:0

**Table 14.** LCD Interface Signal Description

Signal Name	Type	Description	Alternate Function
LD7:0	I/O	<b>Display Data Bus</b> 8-bit bidirectional data bus.	P0.7:0 SD7:0
$\overline{\text{LRD/LDE}}$	O	<b>Read Signal/Enable Signal</b> 8080: Read signal asserted low during display read access. 6800: Enable signal asserted high during display access.	P5.0 $\overline{\text{SRD}}$
$\overline{\text{LWR/LRW}}$	O	<b>Write Signal/Read Write Signal</b> 8080: Write signal asserted low during display write access. 6800: Read/Write signal asserted low/high during display read/write access	P5.3 $\overline{\text{SWR}}$
$\overline{\text{LCS}}$	O	<b>Display Chip Select</b> Select signal asserted low during display access.	P5.1 $\overline{\text{SCS}}$
LA0/LRS	O	<b>Display Address Bit 0/Register Select</b> Address signal asserted during display access.	P5.2 SA0

## Power Management

**Table 15.** Power Signal Description

Signal Name	Type	Description	Alternate Function
$\overline{\text{DCPWR}}$	I	<b>DC-DC Power ON Input</b> Connect $\overline{\text{DCPWR}}$ to $V_{SS}$ to start the DC-DC converter.	-
DCLI	PWR	<b>DC-DC Inductance Input</b> Connect low ESR inductance to DCLI and BVDD.	
BVDD	PWR	<b>Battery Supply Voltage</b> Connect this pin to the positive pin of the battery.	-

Signal Name	Type	Description	Alternate Function
BVSS	GND	<b>Battery Ground</b> Connect this pin to the negative pin of the battery.	-
LVDD	PWR	<b>Low Voltage DC-DC Power Supply output</b> This pin outputs +1.8V typ. from internal DC-DC (battery powered).	-
RLVDD	PWR	<b>Low Voltage Regulator Power Supply Output</b> This pin outputs +1.8V typ. from internal regulator (USB powered or +3V external power supply). Connect this pin to LVDD incase of internal DC-DC usage.	-
HVDD	PWR	<b>High Voltage Power Supply</b> This pin outputs +3V typ. from internal regulator (USB powered). Connect this pin to +3V external power supply.	-
VSS	GND	<b>Power Ground</b> Connect this pin to the system ground.	-
CVSS	GND	<b>Core Ground</b> Connect this pin to VSS pin.	-
IOVDD	PWR	<b>Input/Output Supply voltage</b> Connect this pin to LVDD or HVDD pin.	-
IOVSS	GND	<b>Input/Output Circuit Ground</b> Connect this pin to VSS pin.	-

## OCD Interface

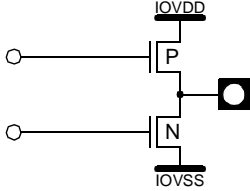
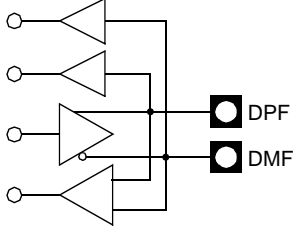
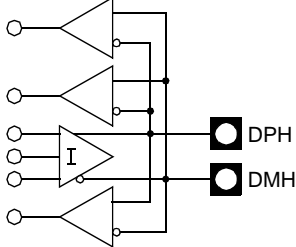
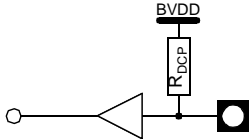
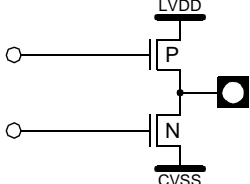
**Table 16.** OCD Signal Description

Signal Name	Type	Description	Alternate Function
OCDR	I	<b>On Chip Debug Receive Input</b> OCDR receives data.	-
OCDT	I/O	<b>On Chip Debug Transmit Output</b> OCDT transmits data.	$\overline{\text{ISP}}$

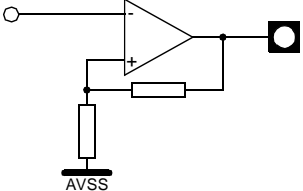
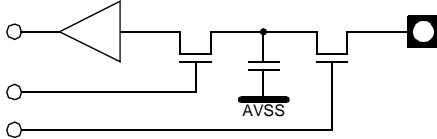
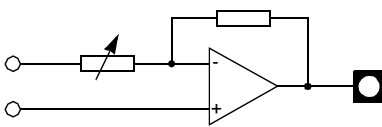
Internal Pin Structure

Table 17. Detailed Internal Pin Structure

Circuit <sup>(1)</sup>	Type	Pins
	Input/Output	$\overline{\text{RST}}$
	Input/Output	P0.7:0 P1.7:0 P2.7:0 P3.5:0 P4.6:0 P5.3:0 OCDT
	Input/Output	P3.7:6
	Input	KIN3:0 $\overline{\text{SDINS}}$ $\overline{\text{SDLCK}}$ $\overline{\text{SMINS}}$ $\overline{\text{SMLCK}}$ $\overline{\text{TST}}$ $\overline{\text{ISP}}$ $\overline{\text{UID}}$ $\overline{\text{INT0}}$ $\overline{\text{INT1}}$ TO RXD OCDR
	Input	$\overline{\text{SWR}}$ $\overline{\text{SA0}}$ $\overline{\text{SRD}}$ $\overline{\text{SCS}}$ $\overline{\text{SS}}$
	Input/Output	NFD7:0 SD7:0 LD7:0 SDCMD SDDAT3:0 MISO MOSI

Circuit <sup>(1)</sup>	Type	Pins
	Output	SDCLK SCK NFCE3:0 NFCLE NFALE NFWE NFRE NFWP SMCE DSEL DDAT DCLK OCLK OCLK LWR/LE LAO/LRS LRD/LRW LCS UVCON TXD
	Input/Output	DPF DMF
	Input/Output	DPH DMH
	Input	$\overline{\text{DCPWR}}^{(2)}$
	-	DCLI <sup>(2)</sup>



Circuit <sup>(1)</sup>	Type	Pins
	Output	MICBIAS
	Input	MICIN LINR LINL
	Output	OUTR <sup>(2)</sup> OUTL <sup>(2)</sup>

- Notes:
1. For information on resistor value, input/output levels, and drive capability, refer to Section "DC Characteristics", page 241.
  2. AT85C51SND3B3 only
  3. AT85C51SND3B2 & AT85C51SND3B3 only

## Power Management

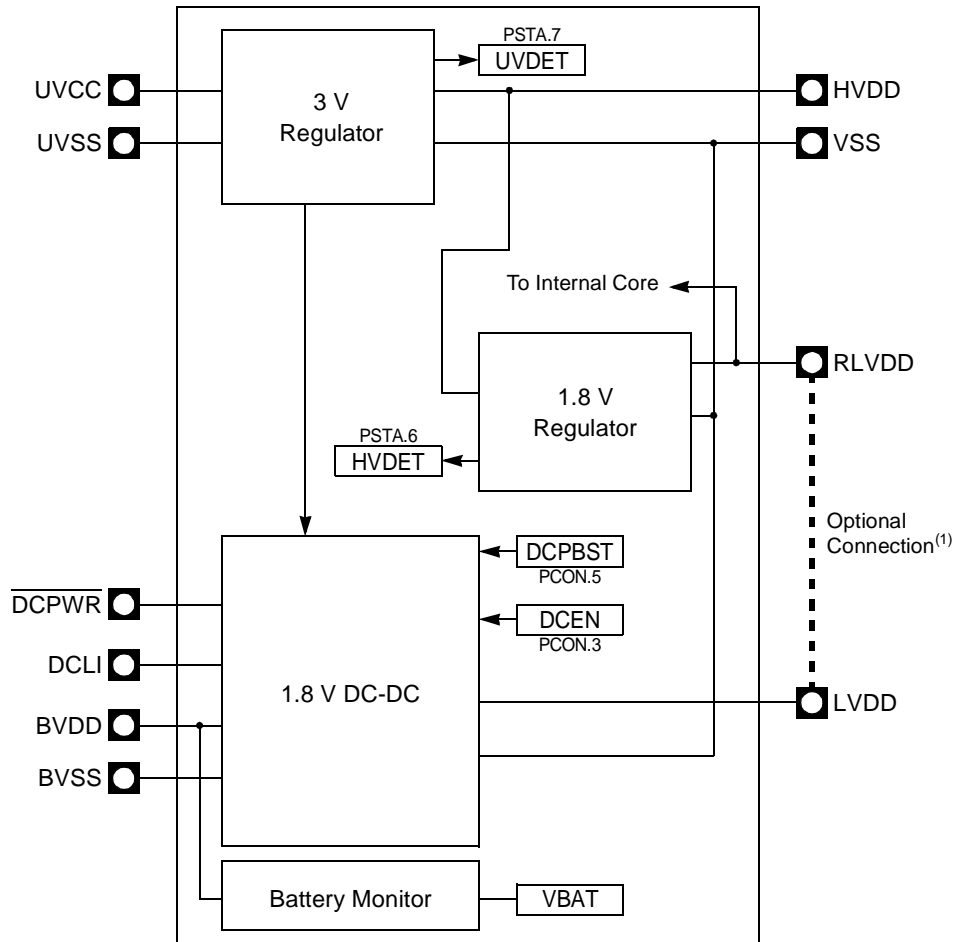
The Power Management implements all the internal power circuitry (regulators, links...) as well as power failure detector and reset circuitry.

## Power Supply

The AT85C51SND3B3 embeds the regulators and a DC to DC step-up convertor to be able to operate from either USB power supply (5V nominal) or from a single cell battery such as AAA battery.

The AT85C51SND3B1 and AT85C51SND3B2 embed the regulators to be able to operate from either USB power supply (5V nominal) or from an external 3 volts supply.

**Figure 5.** Power Supply Diagram



Note: 1. External connection mandatory when 1.8V DC-DC is used.

## Regulators

The high voltage regulator supplies power to the external devices through HVDD power pin. Its nominal voltage output is 3V.

The low voltage regulator supplies power to the internal device and external devices through RLVD power pin. Its nominal voltage output is 1.8V.

Figure 6 shows how to connect external components, capacitors value along with power characteristics are specified in the section "DC characteristics".

## Schematic

**Figure 6. Regulator Connection**



Note: Depending on power supply scheme,  $C_{LV}$  may replace  $C_{DC}$  capacitor (see Figure 8).

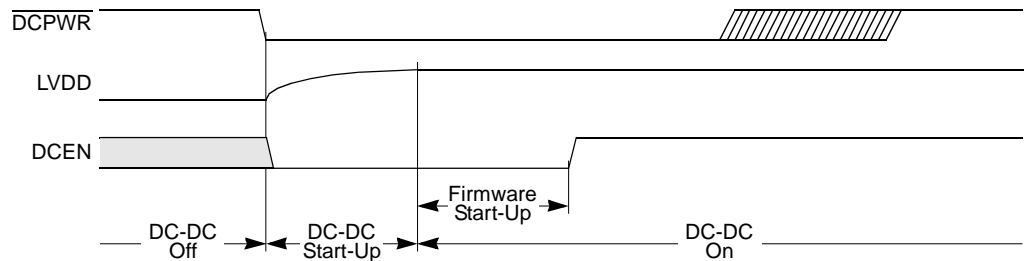
## Low Voltage DC-DC in AT85C51SND3B3

The low voltage output DC-DC converter supplies power to the internal device and external devices through LVDD power pin. It operates from a single AAA battery. Its nominal voltage output is 1.8V.

## DC-DC Start-Up

DC-DC start-up is done by asserting the  $\overline{DCPWR}$  input until the voltage reaches its nominal value (see Section “Power Fail Detector”) and firmware starts execution and sets the DCEN bit in PCON to maintain the DC-DC enabled.  $\overline{DCPWR}$  input can then be released. As shown in Figure 8  $\overline{DCPWR}$  input is asserted by pressing a key connected to BVSS.

**Figure 7. DC-DC Start-Up Phase**



## DC-DC Shut-Down

DC-DC shut-down is done by two different ways:

- Clearing the DCEN bit while  $\overline{DCPWR}$  pin is de-asserted
- Detecting the presence of an internal or external 3V supply, e.g. when the device is connected to USB, DC-DC is disabled to save battery power<sup>(1)</sup>.

Note: 1. If DCEN bit is left set, the DC-DC will restart as soon as the USB power supply disappears.

## DC-DC Connection

Figure 8 shows how to connect external components, inductance and components value along with power characteristics are specified in the section “DC characteristics”.

**Figure 8. Battery DC-DC Connection**



Note: Depending on power supply scheme,  $C_{DC1}$  may replace  $C_{LV}$  capacitor (see Figure 6).

## Battery Voltage Monitor

The battery voltage monitor is a 5-bit / 50 mV resolution A to D converter with fixed conversion range as detailed in Table 18.

**Table 18.** Battery Voltage Value

VB4:0	Battery Voltage (V)
00000	[0.9 - 0.95[
00001	[0.95 - 1.0[
00010	[1.0 - 1.05[
...	...
01110	[1.6 - 1.65[
01111	[1.65 - 1.7[
10000	[1.7 - 1.75[

## Conversion Management

The battery voltage monitor is turned on by setting the VBPEN and VBCEN bits in PCON (see Table 20). VBPEN bit is set first and VBCEN bit is set 1 ms later. An additional delay of 16 cycles is required before launching any conversion. Launching a conversion is done by setting VBEN bit in VBAT (see Table 22). VBEN is automatically cleared at the end of the conversion which takes 34 clock periods. At this step two cases occur:

- Voltage is valid (inside conversion range)  
VBERR is cleared and conversion value is set in VB4:0 according to Table 18.
- Voltage is invalid (out of conversion range)  
VBERR is set and value reported by VB4:0 is indeterminate.

## Power Reduction Mode

Two power reduction modes are implemented in the AT85C51SND3B: the Idle mode and the Power-down mode. These modes are detailed in the following sections. In addition to these power reduction modes, the clocks of the core and peripherals can be dynamically divided by 2 using the X2 mode as detailed in Section “X2 Feature”, page 30.

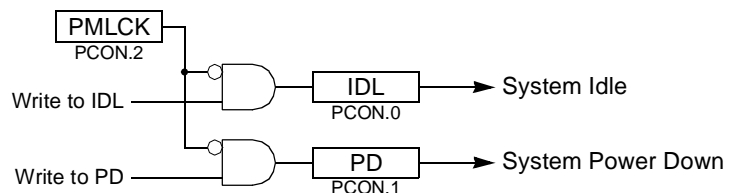
## Lock Mode

In order to allow firmware to efficiently enter in idle mode and not to lose any events that should come from one or more interrupts, power reduction modes entry are conditioned to an hardware bit: PMLCK in PCON.

PMLCK is set by software in each ISR that needs to report an event to the system and thus disables entry in power reduction mode and allows immediate processing of this event. It is cleared by software after exiting power reduction mode.

As shown in Figure 9, when power reduction modes are disabled by setting PMLCK, IDL and PD bits in PCON can not be set and idle or power down modes are not entered.

**Figure 9.** Power Reduction Controller Block Diagram



**Idle Mode**

Idle mode is a power reduction mode that reduces the power consumption. In this mode, program execution halts. Idle mode freezes the clock to the CPU at known states while the peripherals continue to be clocked (refer to Section “System Clock Generator”, page 29). The CPU status before entering Idle mode is preserved, i.e., the program counter and program status word register retain their data for the duration of Idle mode. The contents of the SFRs and RAM are also retained.

*Entering Idle Mode*

To enter Idle mode, the user must set the IDL bit in PCON register while PMLCK is cleared. The AT85C51SND3B enters Idle mode upon execution of the instruction that sets IDL bit. The instruction that sets IDL bit is the last instruction executed.

Note: If IDL bit and PD bit are set simultaneously, the AT85C51SND3B enter Power-down mode. Then it does not go in Idle mode when exiting Power-down mode.

*Exiting Idle Mode*

There are 2 ways to exit Idle mode:

1. Generate an enabled interrupt.
  - Hardware clears IDL bit in PCON register which restores the clock to the CPU. Execution resumes with the interrupt service routine. Upon completion of the interrupt service routine, program execution resumes with the instruction immediately following the instruction that activated Idle mode. The general-purpose flags (GF1 and GF0 in PCON register) may be used to indicate whether an interrupt occurred during normal operation or during Idle mode. When Idle mode is exited by an interrupt, the interrupt service routine may examine GF1 and GF0.
2. Generate a reset.
  - A logic high on the RST pin clears IDL bit in PCON register directly and asynchronously. This restores the clock to the CPU. Program execution momentarily resumes with the instruction immediately following the instruction that activated the Idle mode and may continue for a number of clock cycles before the internal reset algorithm takes control. Reset initializes the AT85C51SND3B and vectors the CPU to address 0000h.

Note: During the time that execution resumes, the internal RAM cannot be accessed; however, it is possible for the Port pins to be accessed. To avoid unexpected outputs at the Port pins, the instruction immediately following the instruction that activated Idle mode should not write to a Port pin or to the external RAM.

**Power-down Mode**

The Power-down mode places the AT85C51SND3B in a very low power state. Power-down mode stops the oscillator and freezes all clocks at known states (refer to the Section “Oscillator”, page 27). The CPU status prior to entering Power-down mode is preserved, i.e., the program counter, program status word register retain their data for the duration of Power-down mode. In addition, the SFRs and RAM contents are preserved.

*Entering Power-down Mode*

To enter Power-down mode, set PD bit in PCON register while PMLCK is cleared. The AT85C51SND3B enters the Power-down mode upon execution of the instruction that sets PD bit. The instruction that sets PD bit is the last instruction executed.

*Exiting Power-down Mode*

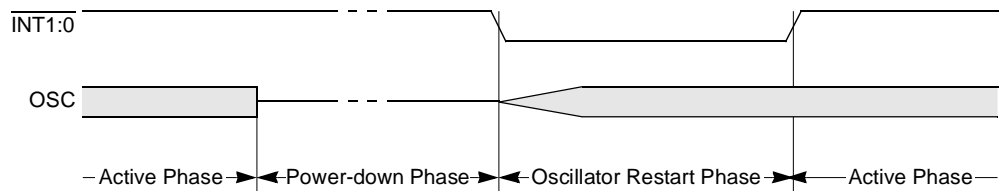
There are 2 ways to exit the Power-down mode:

1. Generate an enabled external interrupt.
  - The AT85C51SND3B provides capability to exit from Power-down using  $\overline{\text{INT0}}$ , INT1, and KIN3:0 inputs. In addition, using KIN input provides high or low level exit capability (see Section “Keyboard Interface”, page 239). Hardware clears PD bit in PCON register which starts the oscillator and restores

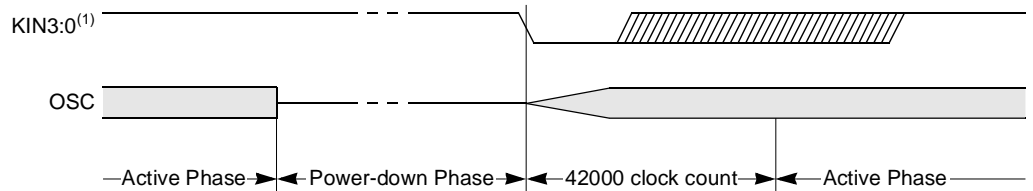
the clocks to the CPU and peripherals. Using  $\overline{\text{INTn}}$  input, execution resumes when the input is released (see Figure 10) while using KINx input, execution resumes after counting 1024 clock ensuring the oscillator is restarted properly (see Figure 11). This behavior is necessary for decoding the key while it is still pressed. In both cases, execution resumes with the interrupt service routine. Upon completion of the interrupt service routine, program execution resumes with the instruction immediately following the instruction that activated Power-down mode.

- Note:
1. The external interrupt used to exit Power-down mode must be configured as level sensitive (INT0 and INT1) and must be assigned the highest priority. In addition, the duration of the interrupt must be long enough to allow the oscillator to stabilize. The execution will only resume when the interrupt is de-asserted.
  2. Exit from power-down by external interrupt does not affect the SFRs nor the internal RAM content.

**Figure 10.** Power-down Exit Waveform Using  $\overline{\text{INT1:0}}$



**Figure 11.** Power-down Exit Waveform Using KIN3:0



- Note:
1. KIN3:0 can be high or low-level triggered.
2. Generate a reset.
    - A logic high on the RST pin clears PD bit in PCON register directly and asynchronously. This starts the oscillator and restores the clock to the CPU and peripherals. Program execution momentarily resumes with the instruction immediately following the instruction that activated Power-down mode and may continue for a number of clock cycles before the internal reset algorithm takes control. Reset initializes the AT85C51SND3B and vectors the CPU to address 0000h.

- Notes:
1. During the time that execution resumes, the internal RAM cannot be accessed; however, it is possible for the Port pins to be accessed. To avoid unexpected outputs at the Port pins, the instruction immediately following the instruction that activated the Power-down mode should not write to a Port pin or to the external RAM.
  2. Exit from power-down by reset redefines all the SFRs, but does not affect the internal RAM content.

## Reset

In order to secure the product functionality while in power-up or power-down phase or while in running phase, a number of internal mechanisms have been implemented. These mechanisms are listed below and detailed in the following paragraphs.

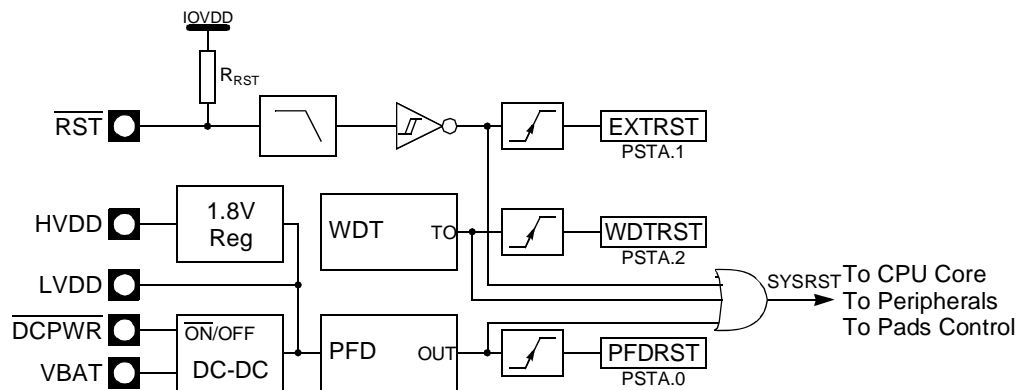
- External  $\overline{\text{RST}}$  input
- Power Fail Detector (brown-out)
- Watchdog timer
- Pads control

Figure 12 details the internal reset circuitry.

## Reset Source Reporting

In order for the firmware to take specific actions depending on the source which has currently reset the device, activated reset source is reported to the CPU by EXTRST, WDTRST, and PFDRST flags in PSTA register.

**Figure 12.** Internal Reset Circuitry



## Pads Level Control

As soon as one reset source is asserted, the pads go to their reset value. This ensures that pads level is steady during reset (e.g.  $\overline{\text{NFWP}}$  set to low level and then protecting Nand Flash against spurious writing).

The status of the Port pins during reset is detailed in Table 19.

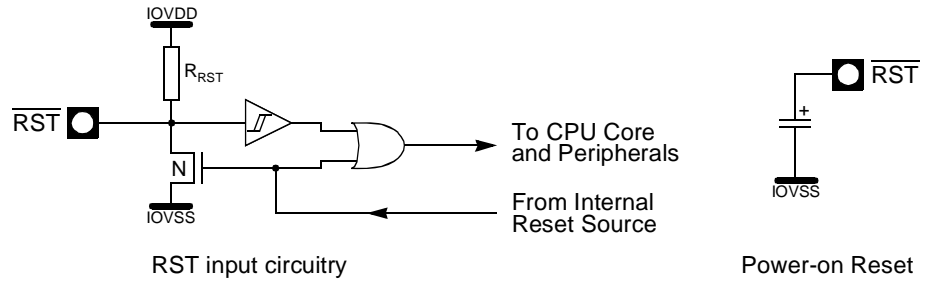
**Table 19.** Pin State Under Reset Condition.

Port 0	Port 1	Port 2	Port 3	Port 4	Port 5	NFD7:0	$\overline{\text{NFWP}}$	$\overline{\text{NFCE0}}$
Float	H	H	H	H	H	Float	L	H

## External $\overline{\text{RST}}$ Input

In order to start-up (cold reset) or to restart (warm reset) properly the microcontroller, a low level has to be applied on the  $\overline{\text{RST}}$  pin. A bad level leads to a wrong initialization of the internal registers like SFRs, Program Counter... and to unpredictable behavior of the microcontroller. A proper device reset initializes the AT85C51SND3B and vectors the CPU to address 0000h.  $\overline{\text{RST}}$  input has a pull-up resistor allowing power-on reset by simply connecting an external capacitor to  $V_{SS}$  as shown in Figure 13. A warm reset can be applied either directly on the  $\overline{\text{RST}}$  pin or indirectly by an internal reset source such as the watchdog timer. Resistor value and input characteristics are discussed in the Section "DC Characteristics", page 241.

**Figure 13. Reset Circuitry and Power-On Reset**



**Cold Reset**

2 conditions are required before enabling a CPU start-up:

- $V_{DD}$  must reach the specified  $V_{DD}$  range
- The level on X1 input pin must be outside the specification ( $V_{IH}$ ,  $V_{IL}$ )

If one of these 2 conditions are not met, the microcontroller does not start correctly and can execute an instruction fetch from anywhere in the program space. An active level applied on the  $\overline{RST}$  pin must be asserted till both of the above conditions are met. A reset is active when the level  $V_{IL}$  is reached and when the pulse width covers the period of time where  $V_{DD}$  and the oscillator are not stabilized. 2 parameters have to be taken into account to determine the reset pulse width:

- $V_{DD}$  rise time,
- Oscillator startup time.

To determine the capacitor value to implement, the highest value of these 2 parameters has to be chosen.

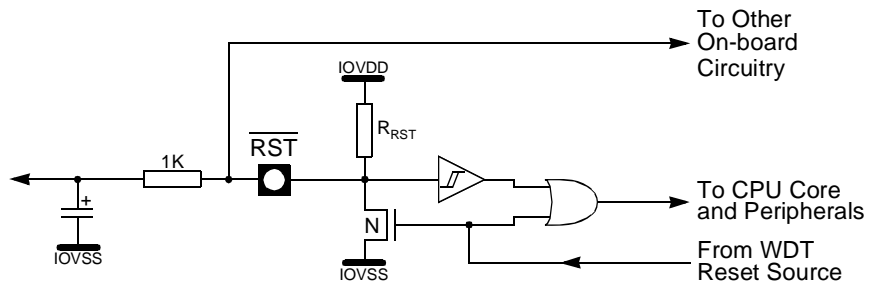
**Warm Reset**

To achieve a valid reset, the reset signal must be maintained for at least 2 machine cycles (24 oscillator clock periods) while the oscillator is running. The number of clock periods is mode independent (X2 or X1).

**Watchdog Timer Reset**

As detailed in Section “Watchdog Timer”, page 75, the WDT generates a 96-clock period pulse on the  $\overline{RST}$  pin. In order to properly propagate this pulse to the rest of the application in case of external capacitor or power-supply supervisor circuit, a 1 k $\Omega$  resistor must be added as shown in Figure 14.

**Figure 14. Reset Circuitry for WDT Reset-out Usage**



**Power Fail Detector**

The Power Fail Detector (PFD) ensures that whole product is in reset when internal voltage is out of its limits specification. PFD limits are detailed in the Section “DC Characteristics”, page 241.



Registers

**Table 20.** PCON Register

PCON (0.87h) – Power Control Register

7	6	5	4	3	2	1	0
VBCEN	VBPEN	DCPBST	GF0	DCEN	PMLCK	PD	IDL
Bit Number	Bit Mnemonic	Description					
7	VBCEN	<b>Battery Monitor Clock Enable Bit</b> Set to enable the clock of the battery monitoring. Clear to disable the clock of the battery monitoring.					
6	VBPEN	<b>Battery Monitor Power Enable Bit</b> Set to power the battery monitoring. Clear to unpower the battery monitoring.					
5	DCPBST	<b>DC-DC Converter Power Boost Bit</b> Set to disable DC-DC high power boost mode. Clear to enable DC-DC high power boost mode.					
4	GF0	<b>General-purpose flag 0</b> One use is to indicate whether an interrupt occurred during normal operation or during Idle mode.					
3	DCEN	<b>DC-DC Converter Enable Bit</b> Set to start the DC-DC converter or maintain its activity while $\overline{DCPWR}$ pin is asserted. Clear to stop the DC-DC converter and shut off the device if not powered by an external power supply.					
2	PMLCK	<b>Power Mode Lock Bit</b> Set to lock power-down or Idle mode entry by preventing PD or IDL bits from being set by software. Clear to unlock power-down or Idle mode entry.					
1	PD	<b>Power-down Mode bit</b> Cleared by hardware when an interrupt or reset occurs. Set to activate the Power-down mode when PMLCK is cleared. If IDL and PD are both set, PD takes precedence.					
0	IDL	<b>Idle Mode bit</b> Cleared by hardware when an interrupt or reset occurs. Set to activate the Idle mode when PMLCK is cleared. If IDL and PD are both set, PD takes precedence.					

Reset Value = 00011 0000b

**Table 21.** PSTA Register

PSTA (0.86h) – Power Status Register

7	6	5	4	3	2	1	0
UVDET	HVDET	-	-	-	WDTRST	EXTRST	PFDRST
Bit Number	Bit Mnemonic	Description					
7	UVDET	<b>USB Voltage Detect Flag</b> Set by hardware when 5V is detected on UVDD pin. Cleared by hardware when 5V is not detected on UVDD pin.					

Bit Number	Bit Mnemonic	Description
6	HVDET	<b>High Voltage Detect Flag</b> Set by hardware when 3V is detected on HVDD pin. Cleared by hardware when 3V is not detected on HVDD pin.
5-3	-	<b>Reserved</b> The value of these bits is always 0. Do not set these bits.
2	WDTRST	<b>Watchdog Timer Reset Flag</b> Set by hardware when the watchdog timer has overflowed triggering and internal reset. Must be cleared by software at power-up.
1	EXTRST	<b>External Reset Flag</b> Set by hardware when the external $\overline{RST}$ pin is asserted (warm reset). Must be cleared by software at power-up.
0	PFDRST	<b>Power Failure Detector Reset Flag</b> Set by hardware when the power voltage has been triggered outside its specified value (cold reset). Must be cleared by software at power-up.

Reset Value = XX00 0XXXb<sup>(1)</sup>

Note: 1. Reset value depends on the power supply presence and on the internal reset source.

**Table 22.** VBAT Register

VBAT (0.85h) – Battery Voltage Monitor Register

7	6	5	4	3	2	1	0
VBEN	VBERR	-	VB4	VB3	VB2	VB1	VB0

Bit Number	Bit Mnemonic	Description
7	VBEN	<b>Battery Monitor Enable Bit</b> Set to enable the battery monitoring. Cleared by hardware at the end of conversion
6	VBERR	<b>Battery Monitor Error Flag</b> Set by hardware when conversion is out of min/max values.
5	-	<b>Reserved</b> The value read from this bit is always 0. Do not set this bit.
4-0	VB4:0	<b>Battery Value</b> Refer to Table 18 for voltage value correspondence.

Reset Value = 0000 0000b

## Clock Controller

The AT85C51SND3Bx clock controller is based on an on-chip oscillator feeding two on-chip Phase Lock Loop (PLL) dedicated for the USB controller (see Section “USB Controller”, page 85) and the Audio Controller (see Section “Audio Controller”, page 149). All internal clocks to the peripherals and CPU core are generated by this controller.

## Oscillator

X1 and X2 pins of AT85C51SND3Bx are the input and the output of a frequency power-optimized single-stage on-chip inverter (see Figure 15) that can be configured with off-chip components such as a Pierce oscillator (see Figure 16). Value of capacitors and crystal characteristics are detailed in the Section “DC Characteristics”, page 241.

## Authorized frequency

In order to be able to properly detect the oscillating frequency when in In System Programming mode and then generate the 480MHz requested for USB connection, only the following frequencies are authorized:

12MHz, 13MHz, 16MHz, 19.2MHz, 19.5MHz, 20MHz, 24MHz and 26MHz.

## Power Optimization

In order to optimize the power consumption, oscillator gain can be adjusted by software depending on the crystal frequency. Such optimization is done after reset using OSCF1:0 bits in CKCON register (see Table 31) according to Table 23. Moreover if external frequency signal is input (X1 driven by a remote host) it is possible to switch off the internal amplifier by setting the OSCAMP bit in CKCON register as shown in Figure 15.

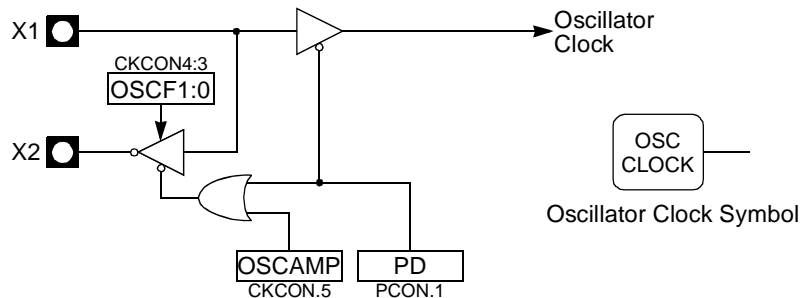
**Table 23.** Oscillator Frequency Configuration

OSCF1:0	Crystal Clock Frequency Range ( $F_{osc}$ )
00	22 - 26 MHz (default)
01	18 - 22 MHz
10	14 - 18 MHz.
11	10 - 14 MHz

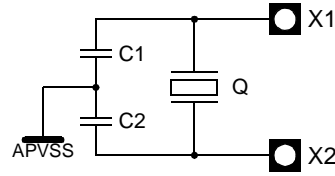
The oscillator outputs a clock: the oscillator clock used to feed the clock generator and the system clock generator.

The oscillator clock can be disabled by entering the power-down reduction mode as detailed in the Section “Power Management”, page 18.

**Figure 15.** Oscillator Block Diagram and Symbol



**Figure 16. Crystal Connection**



## Clock Generator

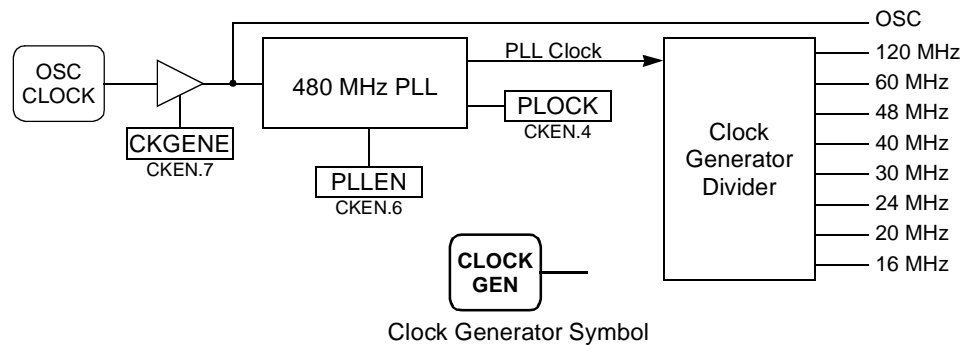
The clock generator provides the oscillator and higher frequency clocks to the System, the DFC, the memory controllers: Nand Flash and MMC controllers, the USB and the high speed Serial I/O port. It is based on a 480 MHz PLL namely the PLL clock followed by a frequency divider giving a broad range of available clock frequency: the CLOCK GEN clocks.

The clock generation is enabled by setting CKGENE bit in CKEN (see Table 32).

The PLL is enabled by setting PLEN bit in CKEN and reports a filtered lock status by the PLOCK Flag in CKEN.

As soon as the PLL is locked, the generated clocks can be used by the peripherals as detailed in the following sections.

**Figure 17. Clock Generator Block Diagram and Symbol**



## 480 MHz PLL

The AT85C51SND3Bx PLL is based on a Phase Frequency Comparator and Lock Detector block (PFLD) which makes the comparison between the reference clock coming from the 4-bit N divider ( $PLL3:0 + 1$  in PLLCLK) and the reverse clock coming from either fixed frequencies or the 4-bit R divider ( $PLLR3:0 + 1$  in PLLCLK) and generates some pulses on the Up or Down signal depending on the edge position of the reverse clock. These pulses feed the Charge Pump block (CHP) that generates a voltage reference to the 480 MHz Voltage Controlled Oscillator (VCO) by injecting or extracting charges from an internal filter. The reverse clock selection mechanism is implemented in order to support many oscillator frequencies and to minimize the PLL output jitter.

Figure 18. PLL Block Diagram and Symbol

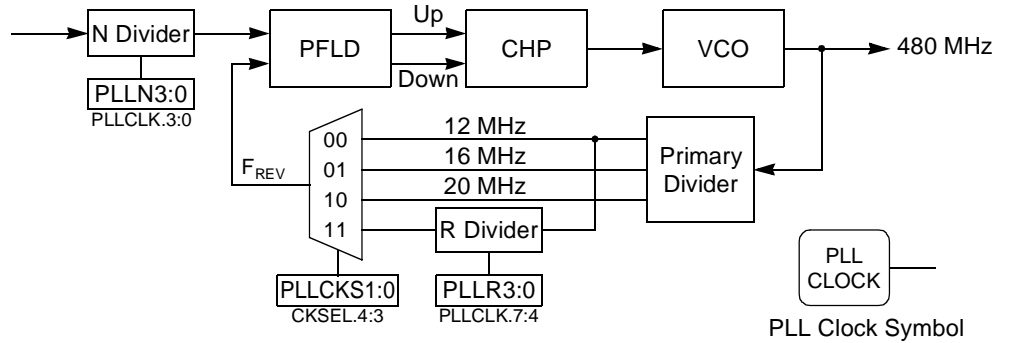


Table 24. PLL Reverse Clock Selection

PLLCKS1:0	Clock Selection (F <sub>REV</sub> )
00	12 MHz (default)
01	16 MHz
10	20 MHz
11	12 MHz ÷ (PLLR + 1)

PLL Programming

The PLL is programmed depending on the oscillator clock frequency. In order to minimize the output jitter, F<sub>REV</sub> must be as higher as possible. Table 26 shows the PLL programming values and reverse frequency depending on some oscillator frequency.

Table 25. PLL Programming Values versus Input Frequency

F <sub>osc</sub> (MHz)	PLLCKS1:0	PLLN3:0 / N	PLLR3:0 / R	F <sub>REV</sub> (MHz)
12	00	0000	XXXX	12
13	11	1100 / 13	1011 / 12	1
16	01	0000	XXXX	16
19.2	11	0111 / 8	0100 / 5	2.4
19.5	11	1100 / 13	0111 / 8	1.5
20	10	0000	XXXX	20
24	00	0001 / 2	XXXX	12
26	11	1100 / 13	0101 / 6	2

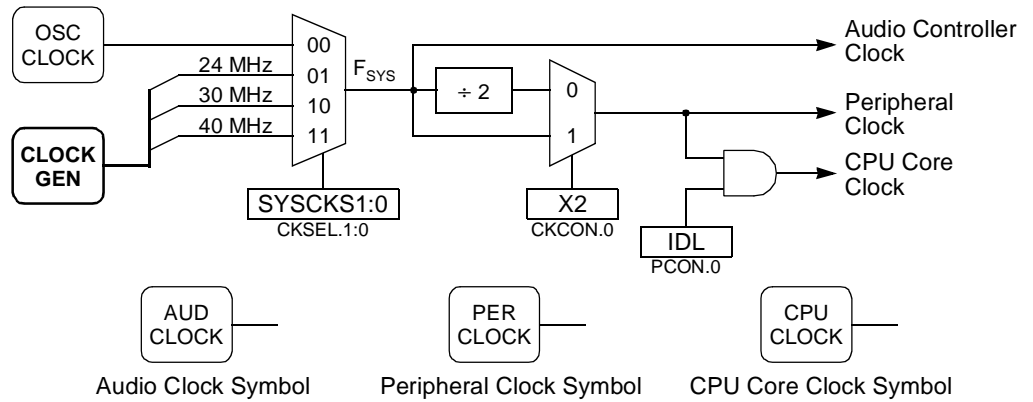
System Clock Generator

In order to increase the system computation throughput, it is possible to switch the system clock to higher value when PLL is enabled. System clock generator block diagram is shown in Figure 19 and is based on a frequency selector controlled by SYSCKS1:0 bits in CKSEL (see Table 34) according to Table 26.

The CPU clock can be disabled by entering the idle reduction mode as detailed in the Section “Power Management”, page 18.

Note: In order to prevent any incorrect operation while dynamically switching the system frequency, user must be aware that all peripherals using the peripheral clock as time reference (timers, etc...) will have their time reference modified by this frequency change.

**Figure 19. System Clock Generator Block Diagram and Symbols**



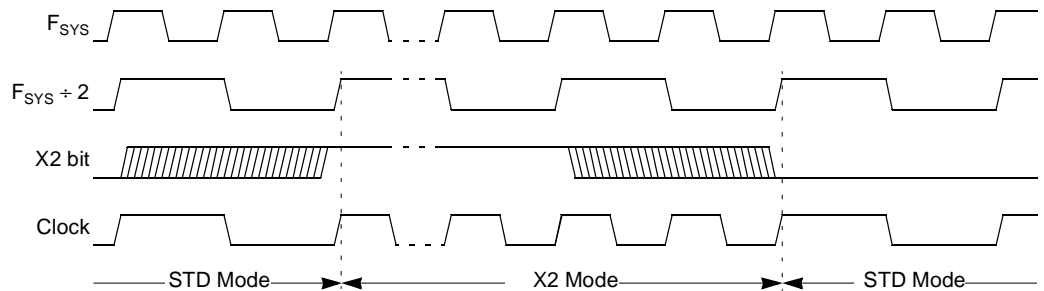
**Table 26. System Clock Selection**

SYSCKSEL1:0	Clock Selection ( $F_{SYS}$ )
00	$F_{OSC}$ (default)
01	24 MHz
10	30 MHz
11	40 MHz

**X2 Feature**

Unlike standard C51 products that require 12 clock periods per machine cycle, the AT85C51SND3Bx need only 6 clock periods per machine cycle. This feature called the “X2 feature” can be enabled using the X2 bit<sup>(1)</sup> in CKCON and allows the AT85C51SND3Bx to operate in 6 or 12 clock periods per machine cycle. As shown in Figure 19, both CPU and peripheral clocks are affected by this feature. Figure 20 shows the X2 mode switching waveforms. After reset the standard mode is activated. In standard mode the CPU and peripheral clock frequency is the oscillator frequency divided by 2 while in X2 mode, it is the oscillator frequency.

**Figure 20. Mode Switching Waveforms**



**DFC/NFC Clock Generator**

In order to optimize the data transfer throughput between the DFC and the NFC, both peripherals share the same clock frequency. The DFC and NFC clock generator block diagram is shown in Figure 21 and is based on a frequency selector. Frequency selection is done using DNFCKSEL2:0 bits in CKSEL (see Table 33) according to Table 27. Frequency is enabled by setting DNFCKEN bit in CKEN.

Figure 21. DFC/NFC Clock Generator Block Diagram and Symbol

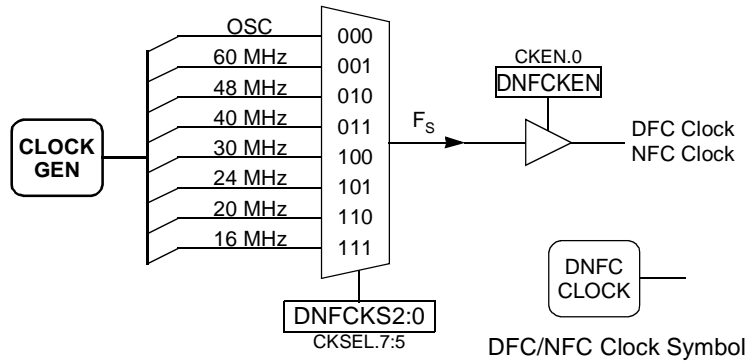


Table 27. DFC/NFC Clock Selection

DNFCKS2:0	Clock Selection ( $F_s$ )
000	$F_{OSC}$ (default)
001	60 MHz
010	48 MHz
011	40 MHz
100	30 MHz
101	24 MHz
110	20 MHz
111	16 MHz

### MMC Clock Generator

The MMC clock generator block diagram is shown in Figure 22 and is based on a frequency selector followed by a frequency divider.

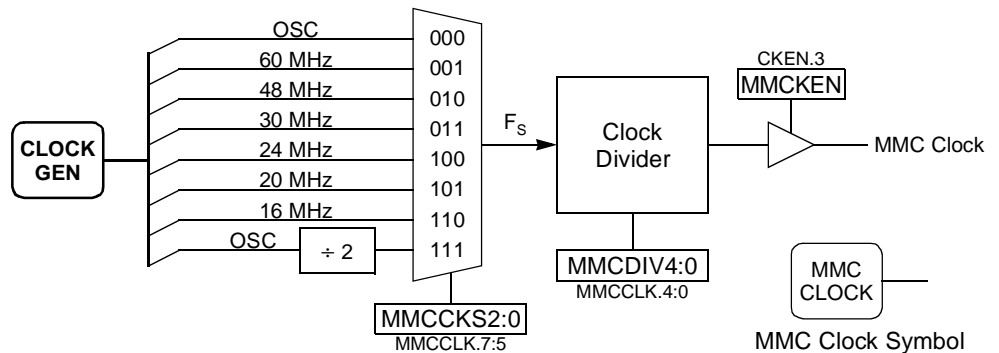
Frequency selection is done using MMCKS2:0 bits in MMCCLK (see Table 35) according to Table 28<sup>(1)</sup>.

Frequency division is done using MMCDIV4:0 bits in MMCCLK according to Table 29.

Frequency configuration (selection and division) must be done prior to enable the MMC clock generation by setting MMCKEN bit in CKEN.

Note: 1. To allow low frequency as low as 400 KHz (frequency needed in MMC identification phase),  $F_{OSC}$  selection can be divided by 2.

Figure 22. MMC Clock Generator Block Diagram and Symbol



**Table 28. MMC Clock Selection**

MMCKS2:0	Clock Selection ( $F_s$ )
000	$F_{OSC}$ (default)
001	60 MHz
010	48 MHz
011	30 MHz
100	24 MHz
101	20 MHz
110	16 MHz
111	$F_{OSC} \div 2$

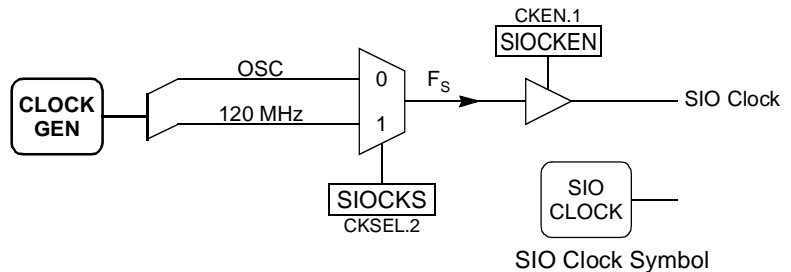
**Table 29. MMC Clock Divider**

MMCDIV4:0	Clock Division
00000	Disabled (no clock out)
$\geq 00001$	$F_{MMC} = F_s \div MMCDIV$

## SIO Clock Generator

As detailed in Figure 23, the SIO clock which feeds the internal SIO baud rate generator can be programmed using SIOCKS bit in CKSEL register according to Table 30 to generate either the oscillator frequency or a very high frequency allowing very high baud rate when PLL is enabled. SIO clock is enabled by SIOCKEN bit in CKEN register.

**Figure 23. SIO Clock Generator Block Diagram and Symbol**



**Table 30. SIO Clock Selection**

SIOCKS	Clock Selection ( $F_s$ )
0	$F_{OSC}$
1	120 MHz



Registers

**Table 31.** CKCON Register

CKCON (0.8Fh) – Clock Control Register

7	6	5	4	3	2	1	0
-	WDX2	OSCAMF	OSCF1	OSCF0	T1X2	T0X2	X2
Bit Number	Bit Mnemonic	Description					
7	-	<b>Reserved</b> The value read from this bit is always 0. Do not set this bit.					
6	WDX2	<b>Watchdog Clock Control Bit</b> Set to select the oscillator clock divided by 2 as watchdog clock input (X2 independent). Clear to select the peripheral clock as watchdog clock input (X2 dependent).					
5	OSCAMF	<b>Oscillator Amplifier Control Bit</b> Set to optimize power consumption by disabling the oscillator amplifier when an external clock is used. Clear to enable the oscillator amplifier in case of crystal usage (default).					
4-3	OSCF1:0	<b>Oscillator Frequency Range Bits</b> Set this bits according to Table 23 to optimize power consumption.					
2	T1X2	<b>Timer 1 Clock Control Bit</b> Set to select the oscillator clock divided by 2 as timer 1 clock input (X2 independent). Clear to select the peripheral clock as timer 1 clock input (X2 dependent).					
1	T0X2	<b>Timer 0 Clock Control Bit</b> Set to select the oscillator clock divided by 2 as timer 0 clock input (X2 independent). Clear to select the peripheral clock as timer 0 clock input (X2 dependent).					
0	X2	<b>System Clock Control Bit</b> Clear to select 12 clock periods per machine cycle (STD mode, $F_{CPU} = F_{PER} = F_{OSC}/2$ ). Set to select 6 clock periods per machine cycle (X2 mode, $F_{CPU} = F_{PER} = F_{OSC}$ ).					

Reset Value = 0000 0000b

**Table 32.** CKEN Register

CKEN (0.B9h) – Clock Enable Register

7	6	5	4	3	2	1	0
CKGENE	PLLEN	-	PLOCK	MMCKEN	-	SIOCKEN	DNFCKEN
Bit Number	Bit Mnemonic	Description					
7	CKGENE	<b>Clock Generator Enable Bit</b> Set to enable the clock generator. Clear to disable the clock generators.					
6	PLLEN	<b>PLL Enable Bit</b> Set to enable the 480 MHz PLL. Clear to disable the 480 MHz PLL.					
5	-	<b>Reserved</b> The value read from this bit is always 0. Do not set this bit.					
4	PLOCK	<b>PLL Lock Flag</b> Set by hardware when the PLL is locked. Cleared by hardware when the PLL is not locked.					
3	MMCKEN	<b>MMC Controller Clock Enable Bit</b> Set to enable the MMC controller Clock. Clear to disable the MMC controller Clock.					
2	-	<b>Reserved</b> The value read from this bit is always 0. Do not set this bit.					
1	SIOCKEN	<b>SIO Controller Clock Enable Bit</b> Set to enable the SIO Clock. Clear to disable the SIO Clock.					
0	DNFCKEN	<b>DF Controller / NF Controller Clock Enable Bit</b> Set to enable the DFC/NFC Clock. Clear to disable the DFC/NFC Clock.					

Reset Value = 0000 0000b

**Table 33.** CKSEL Register

CKSEL (0.BAh) – Clock Selection Register

	7	6	5	4	3	2	1	0
	DNFCKS2	DNFCKS1	DFCKS0	PLLCKS1	PLLCKS0	SIOCKS	SYCKS1	SYCKS0

Bit Number	Bit Mnemonic	Description
7-5	DNFCKS2:0	<b>DFC/NFC Clock Select Bits</b> Refer to Table 27 for information on selected clock value.
4-3	PLLCKS1:0	<b>PLL Reverse Clock Select Bits</b> Refer to Table 24 for information on selected clock value.
2	SIOCKS	<b>SIO Clock Select Bit</b> Refer to Table 30 for information on divided clock value.
1-0	SYCKS1:0	<b>System Clock Select Bits</b> Refer to Table 26 for information on divided clock value.

Reset Value = 0000 0000b

**Table 34.** PLLCLK Register

PLLCLK (0.BCh) – PLL Clock Control Register

	7	6	5	4	3	2	1	0
	PLL3	PLL2	PLL1	PLL0	PLL3	PLL2	PLL1	PLL0

Bit Number	Bit Mnemonic	Description
7-4	PLL3:0	<b>PLL R Divider Bits</b> 4-bit R divider, R from 1 (PLL3:0 = 0000) to 16 (PLL3:0 = 1111).
3-0	PLL3:0	<b>PLL N Divider Bits</b> 4-bit N divider, N from 1 (PLL3:0 = 0000) to 16 (PLL3:0 = 1111).

Reset Value = 0000 0000b

**Table 35.** MMCCLK Register

MMCCLK (0.BDh) – MMC Clock Control Register

	7	6	5	4	3	2	1	0
	MMCKS2	MMCKS1	MMCKS0	MMCDIV4	MMCDIV3	MMCDIV2	MMCDIV1	MMCDIV0

Bit Number	Bit Mnemonic	Description
7-5	MMCKS2:0	<b>MMC Clock Select Bits</b> Refer to Table 28 for information on selected clock value.
4-0	MMCDIV4:0	<b>MMC Clock Divider Bits</b> Refer to Table 29 for information on divided clock value.

Reset Value = 0000 0000b



## Special Function Registers

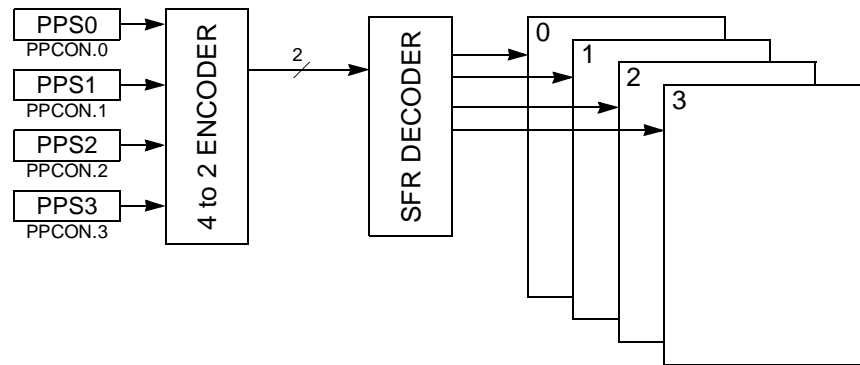
### SFR Pagination

The AT85C51SND3Bx implement a SFR pagination mechanism which allows mapping of high number of peripherals in the SFR space. As shown in Figure 24, four pages are accessible through the PPCON (Peripheral Pagination Control) register (see Table 37). The four bits of PPCON: PPS0 to PPS3 are used to select one page as detailed in Table 36. Setting one bit of PPCON using the *setb* instruction automatically clears the 7 others: e.g. if page 0 is selected, selecting page 3 is done by the instruction *setb* PPS3 which clears PPS0.

By default, after reset selected page is page 0.

The PPCON content is automatically saved in a specific stack at each interrupt service routine entry during vectorization and restored at exit during *reti* execution.

**Figure 24.** SFR Pagination Block diagram



**Table 36.** Page Selection Truth Table

PPS3	PPS2	PPS1	PPS0	Selected Page
0	0	0	0	Page 0
X	X	X	1	Page 0
X	X	1	0	Page 1
X	1	0	0	Page 2
1	0	0	0	Page 3

**Table 37.** PPCON Register

PPCON (Y.C0h) – Peripheral Page Control Register

7	6	5	4	3	2	1	0
-	-	-	-	PPS3	PPS2	PPS1	PPS0

Bit Number	Bit Mnemonic	Description
7-4	-	<b>Reserved</b> The value read from these bits is always 0. Do not set these bits.
3-0	PPS3:0	<b>Peripheral Page Select Bits</b> Refer to Table 36 for page decoding information.

Reset Value = 0000 0001b

## SFR Registers

The Special Function Registers (SFRs) of the AT85C51SND3Bx fall into the categories detailed in Table 39 to Table 58. Address is identified as “P.XXh” where P can take the values detailed in Table 38 and XXh is the hexadecimal address from 80h to FFh

**Table 38.** Page Address Notation

P	Comment
Y	Register mapped in all pages
3-0	Register mapped in the corresponding page

The SFRs mapping within pages is provided together with SFR reset value in Table 58 to Table 58. In these tables, the bit-addressable registers are identified by Note 1.

**Table 39.** C51 Core SFRs

Mnemonic	Add	Name	7	6	5	4	3	2	1	0
ACC	Y.E0h	Accumulator								
B	Y.F0h	B Register								
PSW	Y.D0h	Program Status Word	CY	AC	F0	RS1	RS0	OV	F1	P
SP	Y.81h	Stack Pointer								
DPL	Y.82h	Data Pointer Low Byte								
DPH	Y.83h	Data Pointer High Byte								
PPCON	Y.C0h	Peripheral Pagination	-	-	-	-	PPS3:0			

**Table 40.** Power and System Management

Mnemonic	Add	Name	7	6	5	4	3	2	1	0
PCON	0.87h	Power Control	VBCEN	VBPEN	DCPBST	GF0	DCEN*	PMLCK	PD	IDL
PSTA	0.86h	Power Status	UVDET	HVDET	-	-	-	WDTRST	EXTRST	PFDRST
AUXR1	0.A2h	Auxiliary Register 1	-	-	-	-	GF3	0	-	DPS
VBAT	0.85h	Battery Voltage Monitoring	VBEN	VBERR	-	VB4:0				
SVERS	3.97h	Silicon Version	SV7:0							

Note: Available in AT85C51SND3B3 only.

**Table 41.** Clock Management Unit SFRs

Mnemonic	Add	Name	7	6	5	4	3	2	1	0
CKCON	0.8Fh	Clock Control	-	WDX2	-	OSCF1:0		T1X2	T0X2	X2
CKEN	0.B9h	Clock Enable	CKGENE	PLLEN	-	PLOCK	MMCKEN	-	SIOCKEN	DFCKEN
CKSEL	0.BAh	Clock Selection	DNFCKS2:0			PLLCKS1:0		SIOCKS	SYSCKS1:0	
PLLCLK	0.BCh	PLL Clock	PLLR3:0				PLLN3:0			
MMCLK	0.BDh	MMC Clock	MMCKS2:0			MMCDIV4:0				

**Table 42. Interrupt SFRs**

Mnemonic	Add	Name	7	6	5	4	3	2	1	0
IEN0	0.A8h	Interrupt Enable Control 0	EA	EAUP	EDFC	ES	ET1	EX1	ET0	EX0
IEN1	0.B1h	Interrupt Enable Control 1	-	-	EMMC	ENFC	ESPI	EPSI	EKB	EUSB
IPH0	0.B7h	Interrupt Priority Control High 0	-	IPHAUP	IPHDFC	IPHS	IPHT1	IPHX1	IPHT0	IPHX0
IPL0	0.B8h	Interrupt Priority Control Low 0	-	IPLAUP	IPLDFC	IPLS	IPLT1	IPLX1	IPLT0	IPLX0
IPH1	0.B3h	Interrupt Priority Control High 1	-	-	IPHMMC	IPHNFC	IPHSPI	IPHPSI	IPHKB	IPHUSB
IPL1	0.B2h	Interrupt Priority Control Low 1	-	-	IPLMMC	IPLNFC	IPLSPI	IPLPSI	IPLKB	IPLUSB

**Table 43. I/O Port SFRs**

Mnemonic	Add	Name	7	6	5	4	3	2	1	0
P0	Y.80h	8-bit Port 0								
P1	Y.90h	8-bit Port 1								
P2	Y.A0h	8-bit Port 2								
P3	Y.B0h	8-bit Port 3								
P4	0.98h	8-bit Port 4								
P5	0.C8h	4-bit Port 5								

**Table 44. Timer SFRs**

Mnemonic	Add	Name	7	6	5	4	3	2	1	0
TCON	0.88h	Timer/Counter 0 and 1 Control	TF1	TR1	TF0	TR0	IE1	IT1	IE0	IT0
TMOD	0.89h	Timer/Counter 0 and 1 Modes	GATE1	C/T1#	M11	M01	GATE0	C/T0#	M10	M00
TL0	0.8Ah	Timer/Counter 0 Low Byte								
TH0	0.8Ch	Timer/Counter 0 High Byte								
TL1	0.8Bh	Timer/Counter 1 Low Byte								
TH1	0.8Dh	Timer/Counter 1 High Byte								
WDRST	0.A6h	Watchdog Timer Reset								
WDTPRG	0.A7h	Watchdog Timer Program	-	-	-	-	-	WTO2:0		

**Table 45. RAM Interface**

Mnemonic	Add	Name	7	6	5	4	3	2	1	0
RDFCAL	1.FDh	RAM DFC Low Address Byte	RA7	RA6	RA5	RA4	RA3	RA2	RA1	RA0
RDFCAM	1.FEh	RAM DFC Medium Address Byte	RA15	RA14	RA13	RA12	RA11	RA10	RA9	RA8
RDFCAH	1.FFh	RAM DFC Higher Address Byte	-	-	-	-	-	-	-	RA16

**Table 46. Memory Management SFRs**

Mnemonic	Add	Name	7	6	5	4	3	2	1	0
MEMCBAX	0.F2h	Memory CODE Base Address	CBAX16:9							
MEMDBAX	0.F3h	Memory DATA Base Address	DBAX16:9							
MEMXBAX	0.F4h	Memory XDATA Base Address	XBAX16:9							
MEMCSX	0.F5h	Memory CODE Size	CSX7:0							
MEMXSX	0.F6h	Memory XDATA Size	XSX7:0							

**Table 47. Scheduler SFRs**

Mnemonic	Add	Name	7	6	5	4	3	2	1	0
SCHCLK	0.FEh	Scheduler Clocks	-	SCHIDL2:0			-	-	-	-
SCHGPR3	Y.F9h	32-bit General Purpose Register	GPR31:24							
SCHGPR2	Y.FAh	32-bit General Purpose Register	GPR23:16							
SCHGPR1	Y.FBh	32-bit General Purpose Register	GPR15:8							
SCHGPR0	Y.FCh	32-bit General Purpose Register	GPR7:0							

**Table 48. Data Flow Controller SFRs**

Mnemonic	Add	Name	7	6	5	4	3	2	1	0
DFCON	1.89h	DFC Control		DFRES	-	DFCRCEN	DFPRIO1:0		DFABTM	DFEN
DFCSTA	1.88h	DFC Channel Status	DRDY1	SRDY1	EOF1	DFBSY1	DRDY0	SRDY0	EOF0	DFBSY0
DFCCON	1.85h	DFC Channel Control	DFABT1	EOFE1	EOFIA1	-	DFABT0	EOFE0	EOFIA0	-
DFD0	1.8Ah	DFC Channel 0 Descriptor	DFD0D7:0							
DFD1	1.8Bh	DFC Channel 1 Descriptor	DFD1D7:0							
DFCRC	1.8Ch	DFC CRC16 Data	CRCD7:0							

**Table 49. USB Controller SFRs**

Mnemonic	Add	Name	7	6	5	4	3	2	1	0
USB General Registers										
USBCON	1.E1h	USB General Control	USBE	HOST	FRZCLK	OTGPADE	-	-	IDTE	VBUSTE
USBSTA	1.E2h	USB General Status	-	-	-	-	-	SPEED	ID	VBUS
USBINT	1.E3h	USB General Interrupt	-	-	-	-	-	-	IDTI	VBUSTI
UDPADDH	1.E4h	USB DPRAM Direct Access High	DPACC	-	-	-	-	DPADD10:8		
UDPADDL	1.E5h	USB DPRAM Direct Access Low	DPADD7:0							
OTGCON	1.E6h	USB OTG Control	-	-	HNPREQ	SRPREQ	SRPSEL	VBUSHWC	VBUSREQ	VBUSRQC
OTGIEN	1.E7h	USB OTG Interrupt Enable	-	-	STOE	HNPERR	ROLEEXE	BCERRE	VBERRE	SRPE
OTGINT	1.D1h	USB OTG Interrupt	-	-	STOI	HNPERRI	ROLEEXI	BCERRI	VBERRI	SRPI

**Table 49. USB Controller SFRs**

Mnemonic	Add	Name	7	6	5	4	3	2	1	0
USB Device Registers (HOST cleared)										
UDCON	1.D9h	Device Global Control	-	-	-	-	-	-	RMWKUP	DETACH
UDINT	1.D8h	Device Global Interrupt (bit addressable)	-	UPRSMI	EORSMI	WAKEUPI	EORSTI	SOFI	MSOFI	SUSPI
UDIEN	1.DAh	Device Global Interrupt Enable	-	UPRSMI	EORSME	WAKEUPE	EORSTE	SOFE	MSOFE	SUSPE
UDADDR	1.DBh	Device Address	ADDEN	UADDR6:0						
UDFNUMH	1.DCh	Device Frame Number High	-	-	-	-	-	FNUM10:8		
UDFNUML	1.DDh	Device Frame Number Low	FNUM7:0							
UDMFN	1.DEh	Device Micro Frame Number	-	-	-	FNCERR	-	MFNUM2:0		
UDTST	1.DFh	Device Test	-	-	OPMODE2	TSTPCKT	TSTK	TSTJ	SPDCONF	
USB Host Registers (HOST set)										
UHCON	1.D9h	USB Host General Control	-	-	-	-	-	RESUME	RESET	SOFE
UHINT	1.D8h	USB Host General Interrupt (bit addressable)	-	HWUPI	HSOFI	RXRSMI	RSMEDI	RSTI	DDISCI	DCONNI
UHIEN	1.DAh	USB Host General Interrupt En	-	HWUPE	HSOFE	RXRSMI	RSMEDI	RSTE	DDISCE	DCONNE
UHADDR	1.DBh	USB Host Address	-	HADDR6:0						
UHFNUMH	1.DCh	USB Host Frame Number High	-	-	-	-	-	FNUM10:8		
UHFNUML	1.DDh	USB Host Frame Number Low	FNUM7:0							
UHFLEN	1.DEh	USB Host Frame Length	FLEN7:0							
USB Device Endpoint Registers (HOST cleared)										
UENUM	1.C9h	Endpoint Number Selection	-	-	-	-	-	EPNUM2:0		
UERST	1.CAh	Endpoint Reset	-	EPRST6:0						
UECONX	1.CBh	Endpoint Control	-	-	STALLRQ	STALLRQC	RSTDT	EPNUMS	DFCRDY	EPEN
UECFG0X	1.CCh	Endpoint Configuration 1	EPTYPE1:0		-	-	ISOSW	AUTOSW	NYETDIS	EPDIR
UECFG1X	1.CDh	Endpoint Configuration 0	-	EPSIZE2:0			EPBK1:0		ALLOC	-
UESTA0X	1.CEh	Endpoint Status 0	CFGOK	OVERFI	UNDERFI	ZLPSEEN	DTSEQ1:0		NBUSYBK1:0	
UESTA1X	1.CFh	Endpoint Status 1	-	-	-	-	-	CTRLDIR	CURRBK1:0	
UEINTX	1.C8h	Endpoint Interrupt (bit addressable)	FIFOCON	NAKINI	RWAL	NAKOUTI	RXSTPI	RXOUTI	STALLI	TXINI
UEIENX	1.D2h	Endpoint Interrupt Enable	FLERRE	NAKINE	-	NAKOUTE	RXSTPE	RXOUTE	STALLE	TXINE
UEDATX	1.D3h	Endpoint Data	DAT7:0							
UEBCHX	1.D4h	Endpoint Byte Counter High	-	-	-	-	-	BYCT10:8		
UEBCLX	1.D5h	Endpoint Byte Counter Low	BYCT7:0							
UEINT	1.D6h	Endpoint Interrupt	-	EPINT6:0						



**Table 49. USB Controller SFRs**

Mnemonic	Add	Name	7	6	5	4	3	2	1	0
USB Pipe Registers (HOST set)										
UPNUM	1.C9h	USB Host Pipe Number	-	-	-	-	-	PNUM2:0		
UPRST	1.CAh	USB Host Pipe Reset	-	PRST6:0						
UPCONX	1.CBh	USB Pipe Control	-	PFREEZE	INMODE	AUTOSW	RSTDT	PNUMS	DFCRDY	PEN
UPCFG0X	1.CCh	USB Pipe Configuration 0	PTYPE1:0		PTOKEN1:0		PEPNUM3:0			
UPCFG1X	1.CDh	USB Pipe Configuration 1	-	PSIZE2:0		PBK1:0		ALLOC	-	
UPCFG2X	1.CFh	USB Pipe Configuration 2	INTFRQ7:0							
UPSTAX	1.CEh	USB Pipe Status	CFGOK	OVERFI	UNDERFI	-	DTSEQ1:0		NBUSYBK1:0	
UPINRQX	1.DFh	USB Pipe IN Request	INRQ7:0							
UPERRX	1.D7h	USB Pipe Error	-	COUNTER1:0		CRC16	TIMEOUT	PID	DATAPID	DATATGL
UPINTX	1.C8h	USB Pipe Interrupt (bit addressable)	FIFOCON	NAKEDI	RWAL	PERRI	TXSTPI	TXOUTI	RXSTALLI	RXINI
UPIENX	1.D2h	USB Pipe Interrupt Enable	FLERRE	NAKEDE	-	PERRE	TXSTPE	TXOUTE	RXSTALLE	RXINE
UPDATX	1.D3h	USB Pipe Data	PDAT7:0							
UPBCHX	1.D4h	USB Pipe Byte Counter (high)	-	-	-	-	-	PBYCT10:8		
UPBCLX	1.D5h	USB Pipe Byte Counter (low)	PBYCT7:0							
UPINT	1.D6h	USB Pipe General Interrupt	PINT7:0							

**Table 50. NFC SFRs**

Mnemonic	Add	Name	7	6	5	4	3	2	1	0
NFCFG	1.99h	NF Configuration (FIFO 8 B)	CFG7:0							
NFLOG	1.9Ah	NF Logical Value (2 B)	LOG7:0							
NFCON	1.9Bh	NF Control	-	-	TRS	RESET	WP	SPZEN	ECCEN	EN
NFERR	1.9Ch	NF Error Information (FIFO 4 B)	ERR7:0							
NFADR	1.9Dh	NF Row Address	ADR7:0							
NFADC	1.9Eh	NF Column Address	ADC7:0							
NFCMD	1.9Fh	NF Command	CMD7:0							
NFACT	1.A1h	NF Action	-	-	-	EXT1:0		ACT2:0		
NFDAT	1.A2h	NF Data	DAT7:0							
NFDATF	1.A3h	NF Data and Fetch Next	DATF7:0							
NFSTA	1.98h	NF Controller Status	SMCD	SMLCK	-	EOP	NECC2:0		RUN	
NFECC	1.A4h	NF ECC 1 and 2 (FIFO 6 B)	ECC7:0							
NFINT	1.A5h	NF Interrupt	-	-	-	SMCTI	ILGLI	ECCRDYI	ECCERRI	STOPI
NFIEN	1.A6h	NF Interrupt Enable	-	-	-	SMCTE	ILGLE	ECCRDYE	ECCERRE	STOPE
NFUDAT	1.A7h	NF User Data	UDATA7:0							

**Table 50. NFC SFRs**

Mnemonic	Add	Name	7	6	5	4	3	2	1	0
NFBPH	1.94h	NF Byte Position (MSB)	BP15:8							
NFBPL	1.95h	NF Byte Position (LSB)	BP7:0							

**Table 51. MMC Controller SFRs**

Mnemonic	Add	Name	7	6	5	4	3	2	1	0
MMCON0	1.B1h	MMC Control 0	-	DPTRR	CRPTR	CTPTR	MBLOCK	DFMT	RFMT	CRCDIS
MMCON1	1.B2h	MMC Control 1	BLEN11:8				DATDIR	DATEN	RXCEN	TXCEN
MMCON2	1.B3h	MMC Control 2	FCK	DCR	CCR	DBSIZE1:0		DATD1:0		MMCEN
MMBLP	1.B4h	MMC Block Length	BLEN7:0							
MMSTA	1.B5h	MMC Status	SDWP	CDET	CBUSY	CRC16S	DATFS	CRC7S	WFRS	HFRS
MMDAT	1.B6h	MMC Data	MD7:0							
MMCMD	1.B7h	MMC Command	MC7:0							
MMINT	1.BEh	MMC Interrupt	CDETI	EORI	EOCI	EOFI	WFRI	HFRI	EOBI	-
MMMSK	1.BFh	MMC Interrupt Mask	CDETM	EORM	EOCM	EOFM	WFRM	HFRM	EOBM	-

**Table 52. Audio Controller SFRs**

Mnemonic	Add	Name	7	6	5	4	3	2	1	0
AUCON	1.F1h	Audio Controller Control	BPEN	VSURND	BBOOST	MIXEN	EQUDIS	-	-	ACCKEN
APCON0	1.F2h	Audio Processor Control 0	0	APCMD6:0						
APCON1	1.F3h	Audio Processor Control 1	-	-	ABACC	ABWPR	ABRPR	ABSPLIT	APLOAD	DAPEN
APSTA	1.EAh	Audio Processor Status	APSTAT7:0							
APDAT	1.EBh	Audio Processor Data	APDAT7:0							
APINT	1.F4h	Audio Processor Interrupt	APGPI3	APGPI2	APGPI1	APGPI0	APEVTI	ACLIPI	APRDYI	APREQI
APIEN	1.E9h	Audio Processor Interrupt Enable	APGPE3	APGPE2	APGPE1	APGPE0	APEVTE	ACLIPPE	APRDYE	APREQE
APTIM0	2.C6h	Audio Processor Timer 0	APT7:0							
APTIM1	2.C7h	Audio Processor Timer 1	APT15:8							
APTIM2	2.C9h	Audio Processor Timer 2	APT23:16							
APRDVOL	2.F1h	Audio Processor Right Channel Digital Volume	-	-	-	DVR4:0				
APLDVOL	2.F2h	Audio Processor Left Channel Digital Volume	-	-	-	DVL4:0				
APBDVOL	2.F3h	Audio Processor Bass Band Digital Volume	-	-	-	DVB4:0				
APMDVOL	2.F4h	Audio Processor Medium Band Digital Volume	-	-	-	DVM4:0				
APTDVOL	2.F5h	Audio Processor Treble Band Digital Volume	-	-	-	DVT4:0				

**Table 52. Audio Controller SFRs**

Mnemonic	Add	Name	7	6	5	4	3	2	1	0
APEBS	2.F6h	Audio Processor Equalizer Band Select	-	-	-	-	0	EQBS2:0		
APELEV	2.F7h	Audio Processor Equalizer Level	-	-	-	EQLEV4:0				
ACCON	2.EAh	Audio Codec Control	-	AMBSEL	AMBEN	AISSEL	AIEN	AODRV*	AOSSEL*	AOEN*
ACAUX	2.E4h	Audio Codec Auxiliary	-	-	-	-	-	-	AODIS*	AOPRE*
ACORG*	2.EBh	Audio Codec Right Output Gain	-	-	-	AORG4:0*				
ACOLG*	2.ECh	Audio Codec Left Output Gain	-	-	-	AOLG4:0*				
ACIPG	2.EDh	Audio Codec Input Preamp Gain	-	-	-	-	AILPG	AIPG2:0		
ADICON0	2.EEh	Audio DAC Interface Control 0	-	-	-	CSPOL	DSIZE	OVERS1:0		ADIEN
ADICON1	2.EFh	Audio DAC Interface Control 1	-	-	-	JUST4:0				

Note: Available in AT85C51SND3B2 & AT85C51SND3B3 only.

**Table 53. Audio Stream Codec SFRs**

Mnemonic	Add	Name	7	6	5	4	3	2	1	0
ASCON	2.E1h	Audio Stream Control	Depends on the audio codec firmware							
ASSTA0	2.E2h	Audio Stream Status 0								
ASSTA1	2.E3h	Audio Stream Status 1								
ASSTA2	2.E9h	Audio Stream Status 2								

**Table 54. PSI Controller SFRs**

Mnemonic	Add	Name	7	6	5	4	3	2	1	0
PSISTH	1.ACh	PSI Status Host	PSHBSY	PSSTH6:0						
PSICON	1.ADh	PSI Control	PSEN	PSBSYE	PSRUNE	PSWS2:0			-	-
PSISTA	1.AEh	PSI Status	PSEMPY	PSBSY	PSRUN	PSRDY	-	-	-	-
PSIDAT	1.AFh	PSI Data	PSD7:0							

**Table 55. SPI Controller SFRs**

Mnemonic	Add	Name	7	6	5	4	3	2	1	0
SPCON	1.91h	SPI Control	SPR2	SPEN	SSDIS	MSTR	CPOL	CPHA	SPR1	SPR0
SPSCR	1.92h	SPI Status and Control	SPIF	-	OVR	MODF	SPTTE	UARTM	SPTEIE	MODFIE
SPDAT	1.93h	SPI Data	SPD7:0							

**Table 56. Serial I/O Port SFRs**

Mnemonic	Add	Name	7	6	5	4	3	2	1	0
SCON	0.91h	SIO Control	SIOEN	PMOD1:0		PBEN	STOP	DLEN	GBIT1:0	
SFCON	0.95h	SIO Flow Control	OVSF3:0				CTSEN	RTSEN	RTSTH1:0	

**Table 56. Serial I/O Port SFRs**

Mnemonic	Add	Name	7	6	5	4	3	2	1	0
SINT	1.A8h	SIO Interrupt	-	-	EOTI	OEI	PEI	FEI	TI	RI
SIEN	1.A9h	SIO Interrupt Enable	-	-	EOTIE	OEIE	PEIE	FEIE	TIE	RIE
SBUF	1.AAh	SIO Data Buffer	SIOD7:0							
SBRG0	0.92h	SIO Baud Rate Generator 0	CDIV7:0							
SBRG1	0.93h	SIO Baud Rate Generator 1	BDIV7:0							
SBRG2	0.94h	SIO Baud Rate Generator 2	ADIV7:0							

**Table 57. LCD Interface SFRs**

Mnemonic	Add	Name	7	6	5	4	3	2	1	0
LCDCON0	1.96h	LCD Control 0	BUINV	LCIFS	ADSUH1	ADSUH0	ACCW3	ACCW2	ACCW1	ACCW0
LCDCON1	1.8Eh	LCD Control 1	SLW1:0		RSCMD	LCYCW	LCYCT	LCEN	LCRD	LCRS
LCDSTA	1.8Fh	LCD Status	-	-	-	-	-	-	-	LCBUSY
LCDDAT	1.97h	LCD Data	LD7:0							
LCDBUM	1.8Dh	LCD Busy Mask	BUM7:0							

**Table 58. Keyboard Interface SFRs**

Mnemonic	Add	Name	7	6	5	4	3	2	1	0
KBCON	0.A3h	Keyboard Control	KINL3:0				KINM3:0			
KBSTA	0.A4h	Keyboard Status	KPDE	KDCPE	KDCPL	-	KINF3:0			

**Table 59.** SFR Page 0: Addresses and Reset Values

	0/8	1/9	2/A	3/B	4/C	5/D	6/E	7/F	
<b>F8h</b>		SCHGPR3 0000 0000	SCHGPR2 0000 0000	SCHGPR1 0000 0000	SCHGPR0 0000 0000		SCHCLK 0000 0000		<b>FFh</b>
<b>F0h</b>	B <sup>(1)</sup> 0000 0000	MEMCON 0000 0001	MEMCBAX 0 0000 000	MEMDBAX 0 1111 111	MEMXBAX 0 1111 000	MEMCSX 1110 1111	MEMXSX 0000 1110		<b>F7h</b>
<b>E8h</b>									<b>EFh</b>
<b>E0h</b>	ACC <sup>(1)</sup> 0000 0000								<b>E7h</b>
<b>D8h</b>									<b>DFh</b>
<b>D0h</b>	PSW <sup>(1)</sup> 0000 0000								<b>D7h</b>
<b>C8h</b>	P5 <sup>(1)</sup> 1111 1111								<b>CFh</b>
<b>C0h</b>	PPCON <sup>(1)</sup> 0000 0001								<b>C7h</b>
<b>B8h</b>	IPL0 <sup>(1)</sup> X000 0000	CKEN 0000 0000	DFCCLK 0000 0000		NFCCLK 0000 0000	MMCCLK 0000 0000			<b>BFh</b>
<b>B0h</b>	P3 <sup>(1)</sup> 1111 1111	IEN1 0000 0000	IPL1 0000 0000	IPH1 0000 0000				IPH0 X000 0000	<b>B7h</b>
<b>A8h</b>	IEN0 <sup>(1)</sup> 0000 0000								<b>AFh</b>
<b>A0h</b>	P2 <sup>(1)</sup> 1111 1111		AUXR1 XXXX 00X0	KBCON 0000 1111	KBSTA 0010 0000		WDTRST XXXX XXXX	WDTPRG XXXX X000	<b>A7h</b>
<b>98h</b>	P4 <sup>(1)</sup> 1111 1111								<b>9Fh</b>
<b>90h</b>	P1 <sup>(1)</sup> 1111 1111	SCON 0000 0000	SBRG0 0000 0000	SBRG1 0000 0000	SBRG2 0000 0000	SFCON 0000 0000			<b>97h</b>
<b>88h</b>	TCON <sup>(1)</sup> 0000 0000	TMOD 0000 0000	TL0 0000 0000	TL1 0000 0000	TH0 0000 0000	TH1 0000 0000		CKCON 0000 0000	<b>8Fh</b>
<b>80h</b>	P0 <sup>(1)</sup> 1111 1111	SP 0000 0111	DPL 0000 0000	DPH 0000 0000		VBAT 0000 0000	PSTA XX00 0XXX	PCON 0011 0000	<b>87h</b>
	0/8	1/9	2/A	3/B	4/C	5/D	6/E	7/F	

Notes: 1. SFR registers with least significant nibble address equal to 0 or 8 are bit-addressable.

**Table 60. SFR Page 1: Addresses and Reset Values**

	0/8	1/9	2/A	3/B	4/C	5/D	6/E	7/F	
F8h		SCHGPR3 0000 0000	SCHGPR2 0000 0000	SCHGPR1 0000 0000	SCHGPR0 0000 0000	RDFCAL 0000 0000	RDFCAM 0000 0000	RDFCAH 0000 0000	FFh
F0h	B <sup>(1)</sup> 0000 0000	AUCON 0000 0000	APCON0 0000 0000	APCON1 0000 0000	APINT 0000 0000				F7h
E8h		APIEN 0000 0000	APSTA 0000 0000	APDAT 0000 0000					EFh
E0h	ACC <sup>(1)</sup> 0000 0000	USBCON 0010 0000	USBSTA 0000 00XX	USBINT 0000 000X	UDPADDH 0000 0000	UDPADDL 0000 0000	OTGCON 0000 0000	OTGIEN 0000 0000	E7h
D8h	UDINT <sup>(1)</sup> 0000 0000	UDCON 0000 0001	UDIEN 0000 0000	UDADDR 0000 0000	UDFNUMH 0000 0000	UDFNUML 0000 0000	UDMFN 0000 0000	UDTST 0000 0000	DFh
	UHINT <sup>(1)</sup> 0000 0000	UHCON 0000 0000	UHIEN 0000 0000	UHADDR 0000 0000	UHFNUMH 0000 0000	UHFNUML 0000 0000	UHFLEN 0000 0000	UPINRQX 0000 0000	
D0h	PSW <sup>(1)</sup> 0000 0000	OTGINT 0000 0000	UEIENX 0000 0000	UEDATX 0000 0000	UEBCHX 0000 0000	UEBCLX 0000 0000	UEINT 0000 0000	UPERRX 0000 0000	D7h
			UPIENX 0000 0000	UPDATX 0000 0000	UPBCHX 0000 0000	UPBCLX 0000 0000	UPINT 0000 0000		
C8h	UEINTX <sup>(1)</sup> 0000 0000	UENUM 0000 0000	UERST 0000 0000	UECONX 0000 0000	UECFG0X 0000 0000	UECFG1X 0000 0000	UESTA0X 0000 0000	UESTA1X 0000 0000	CFh
	UPINTX <sup>(1)</sup> 0000 0000	UPNUM 0000 0000	UPRST 0000 0000	UPCONX 0000 0000	UPCFG0X 0000 0000	UPCFG1X 0000 0000	UPSTAX 0000 0100	UPCFG2X 0000 0000	
C0h	PPCON <sup>(1)</sup> 0000 0001								C7h
B8h							MMINT 0000 0000	MMMSK 1111 1110	BFh
B0h	P3 <sup>(1)</sup> 1111 1111	MMCON0 0000 0010	MMCON1 0000 0000	MMCON2 0000 0000	MMBLP 0000 0000	MMSTA XX00 0000	MMDAT 1111 1111	MMCMD 1111 1111	B7h
A8h	SINT <sup>(1)</sup> 0X10 0010	SIEN 0000 0000	SBUF XXXX XXXX		PSITH 0000 0000	PSICON 0000 0000	PSISTA 1000 0000	PSIDAT 0000 0000	AFh
A0h	P2 <sup>(1)</sup> 1111 1111	NFACT 0000 0000	NFDAT 0000 0000	NFDATF 0000 0000	NFECC 0000 0000	NFINT 0000 0000	NFIEN 0000 0000	NFUDAT XXXX XXXX	A7h
98h	NFSTA <sup>(1)</sup> 0000 0000	NFCFG 0000 0000	NFLOG 0000 0000	NFCON 0000 0000	NFERR 0000 0000	NFADR 0000 0000	NFADC 0000 0000	NFCMD 0000 0000	9Fh
90h	P1 <sup>(1)</sup> 1111 1111	SPCON 0001 0100	SPSCR 0000 1000	SPDAT XXXX XXXX	NFBPH 0000 0000	NFBPL 0000 0000	LCDCON0 0000 0000	LCDDAT 0000 0000	97h
88h	DFCSTA <sup>(1)</sup> 0000 0000	DFCON 0000 0000	DFD0 0000 0000	DFD1 0000 0000	DFCRC 0000 0000	LCDBUM 0000 0000	LCDCON1 0000 0000	LCDSTA 0000 0000	8Fh
80h	P0 <sup>(1)</sup> 1111 1111	SP 0000 0111	DPL 0000 0000	DPH 0000 0000		DFCCON 0000 0000			87h
	0/8	1/9	2/A	3/B	4/C	5/D	6/E	7/F	

Note: 1. SFR registers with least significant nibble address equal to 0 or 8 are bit-addressable.

**Table 61.** SFR Page 2: Addresses and Reset Values

	0/8	1/9	2/A	3/B	4/C	5/D	6/E	7/F	
<b>F8h</b>		SCHGPR3 0000 0000	SCHGPR2 0000 0000	SCHGPR1 0000 0000	SCHGPR0 0000 0000				<b>FFh</b>
<b>F0h</b>	B <sup>(1)</sup> 0000 0000	APRDVOL 0000 0011	APLDVOL 0000 0011	APBDVOL 0001 1111	APMDVOL 0001 1111	APTDVOL 0001 1111			<b>F7h</b>
<b>E8h</b>		ASSTA2 0000 0000	ACCON 0000 0000	ACORG <sup>(1)</sup> 0000 0000	ACOLG <sup>(1)</sup> 0000 0000	ACIPG 0000 0000	ADICON0 0000 0000	ADICON1 0000 0000	<b>EFh</b>
<b>E0h</b>	ACC <sup>(1)</sup> 0000 0000	ASCON 0000 0000	ASSTA0 0000 0000	ASSTA1 0000 0000	ACAUX 0000 0000				<b>E7h</b>
<b>D8h</b>									<b>DFh</b>
<b>D0h</b>	PSW <sup>(1)</sup> 0000 0000								<b>D7h</b>
<b>C8h</b>		APTIM2 0000 0000							<b>CFh</b>
<b>C0h</b>	PPCON <sup>(1)</sup> 0000 0001						APTIM0 0000 0000	APTIM1 0000 0000	<b>C7h</b>
<b>B8h</b>									<b>BFh</b>
<b>B0h</b>	P3 <sup>(1)</sup> 1111 1111								<b>B7h</b>
<b>A8h</b>									<b>AFh</b>
<b>A0h</b>	P2 <sup>(1)</sup> 1111 1111								<b>A7h</b>
<b>98h</b>									<b>9Fh</b>
<b>90h</b>	P1 <sup>(1)</sup> 1111 1111								<b>97h</b>
<b>88h</b>									<b>8Fh</b>
<b>80h</b>	P0 <sup>(1)</sup> 1111 1111	SP 0000 0111	DPL 0000 0000	DPH 0000 0000					<b>87h</b>
	0/8	1/9	2/A	3/B	4/C	5/D	6/E	7/F	

- Notes:
1. SFR registers with least significant nibble address equal to 0 or 8 are bit-addressable.
  2. Available in AT85C51SND3B2 & AT85C51SND3B3 only.

**Table 62.** SFR Page 3: Addresses and Reset Values

	0/8	1/9	2/A	3/B	4/C	5/D	6/E	7/F	
F8h		SCHGPR3 0000 0000	SCHGPR2 0000 0000	SCHGPR1 0000 0000	SCHGPR0 0000 0000				FFh
F0h	B <sup>(1)</sup> 0000 0000								F7h
E8h									EFh
E0h	ACC <sup>(1)</sup> 0000 0000								E7h
D8h									DFh
D0h	PSW <sup>(1)</sup> 0000 0000								D7h
C8h									CFh
C0h	PPCON <sup>(1)</sup> 0000 0001								C7h
B8h									BFh
B0h	P3 <sup>(1)</sup> 1111 1111								B7h
A8h									AFh
A0h	P2 <sup>(1)</sup> 1111 1111								A7h
98h									9Fh
90h	P1 <sup>(1)</sup> 1111 1111							SVERS <sup>(2)</sup> XXXX XXXX	97h
88h									8Fh
80h	P0 <sup>(1)</sup> 1111 1111	SP 0000 0111	DPL 0000 0000	DPH 0000 0000					87h
	0/8	1/9	2/A	3/B	4/C	5/D	6/E	7/F	

- Notes:
1. SFR registers with least significant nibble address equal to 0 or 8 are bit-addressable.
  2. SVERS reset value depends on the silicon version 1111 1011 for AT85C51SND3B product.



## Memory Space

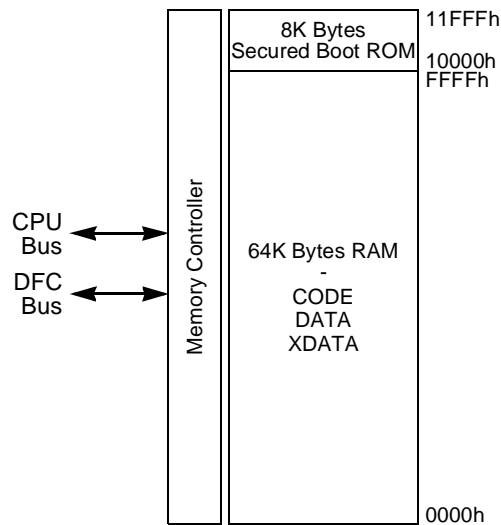
The AT85C51SND3Bx provide an “all in one” 64K bytes of RAM split between the three standard C51 memory segments:

- CODE
- DATA
- XDATA

To satisfy application needs in term of CODE and XDATA sizes, size and base address of XDATA and CODE segments and base address of DATA segment can be dynamically configured.

Figure 25 shows the memory space organization.

**Figure 25.** Memory Organization



## Memory Segments

### CODE Segment

The AT85C51SND3Bx execute up to 64K Bytes of program/code memory.

The AT85C51SND3Bx implement an additional 4K Bytes of on-chip boot ROM memory. This boot memory is delivered programmed with a boot strap software allowing loading of the application code from the Nand Flash Memory to the internal RAM. It also contains a boot loader software allowing In-System Programming (ISP).

### DATA Segment

The DATA segment is mapped in two separate segments:

- The lower 128 Bytes RAM segment
- The upper 128 Bytes RAM segment

#### Lower 128 Bytes

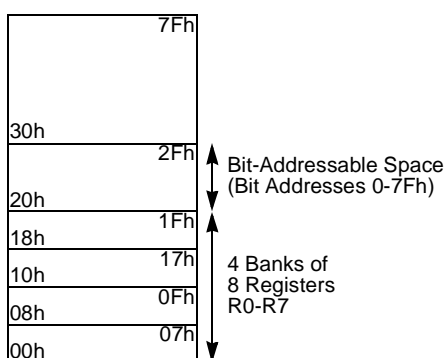
The lower 128 Bytes of RAM (see Figure 26) are accessible from address 00h to 7Fh using direct or indirect addressing modes. The lowest 32 Bytes are grouped into 4 banks of 8 registers (R0 to R7). 2 bits RS0 and RS1 in PSW register (see Table 64) select which bank is in use according to Table 63. This allows more efficient use of code space, since register instructions are shorter than instructions that use direct addressing, and can be used for context switching in interrupt service routines.

**Table 63.** Register Bank Selection

RS1	RS0	Description
0	0	Register bank 0 from 00h to 07h
0	1	Register bank 1 from 08h to 0Fh
1	0	Register bank 2 from 10h to 17h
1	1	Register bank 3 from 18h to 1Fh

The next 16 Bytes above the register banks form a block of bit-addressable memory space. The C51 instruction set includes a wide selection of single-bit instructions, and the 128 bits in this area can be directly addressed by these instructions. The bit addresses in this area are 00h to 7Fh.

**Figure 26.** Lower 128 Bytes Internal RAM Organization



*Upper 128 Bytes*

The upper 128 Bytes of RAM are accessible from address 80h to FFh using only indirect addressing mode. Using direct addressing mode within this address range selects the Special Function Registers, SFRs. For information on this segment, refer to the Section “Special Function Registers”, page 36.

**XDATA Segment**

The on-chip expanded RAM (XRAM) are accessible using indirect addressing mode through MOVX instructions.

**Memory Configuration**

As shown in Figure 25, the 64KB addressing space of the C51 is artificially increased by usage of logical address over a physical one. For example, the boot memory which contains the bootstrap software is implemented at physical address 10000h but is starting at logical address code 0000h which means that the bootstrap is first executed when a system reset occurs.

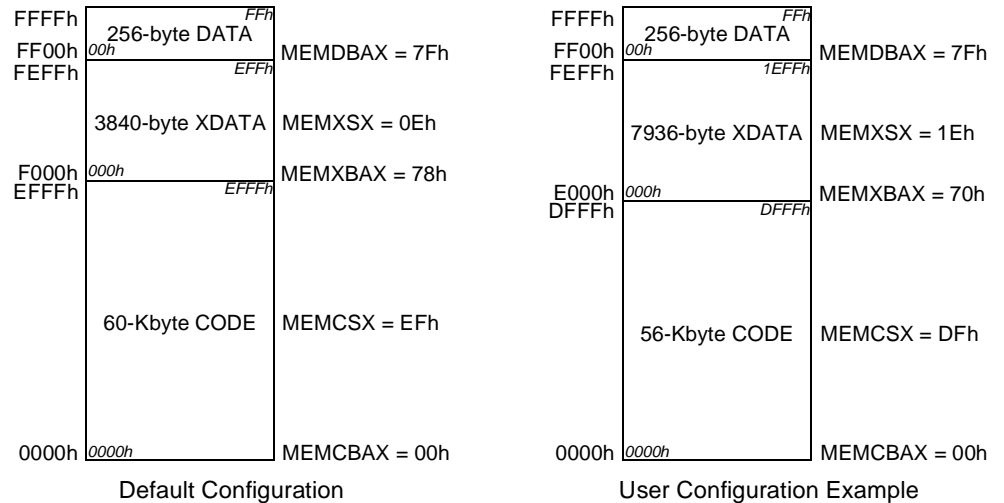
To achieve such logical mapping over the physical memory, some registers have been implemented to give the base address of the memory segments and their size:

- MEMCBAX (see Table 65) for the code segment base address.
- MEMDBAX (see Table 66) for the data segment base address.
- MEMXBAX (see Table 67) for the xdata segment base address.
- MEMCSX (see Table 68) for the code segment size.
- MEMXSX (see Table 69) for the code segment size.

The data segment is not programmable in size as it is a fixed 256-byte segment.

The Figure 27 shows the memory segments configuration after bootstrap execution along with an example of user memory segments configuration done during firmware start-up. In this figure italicized address are the logical address within segments.

**Figure 27.** Memory Segment Configuration



## Registers

**Table 64.** PSW Register

PSW (S:8Eh) – Program Status Word Register

7	6	5	4	3	2	1	0
CY	AC	F0	RS1	RS0	OV	F1	P
Bit Number	Bit Mnemonic	Description					
7	CY	<b>Carry Flag</b> Carry out from bit 1 of ALU operands.					
6	AC	<b>Auxiliary Carry Flag</b> Carry out from bit 1 of addition operands.					
5	F0	<b>User Definable Flag 0</b>					
4-3	RS1:0	<b>Register Bank Select Bits</b> Refer to Table 63 for bits description.					
2	OV	<b>Overflow Flag</b> Overflow set by arithmetic operations.					
1	F1	<b>User Definable Flag 1</b>					
0	P	<b>Parity Bit</b> Set when ACC contains an odd number of 1's. Cleared when ACC contains an even number of 1's.					

Reset Value = 0000 0000b

**Table 65.** MEMCBAX Register

MEMCBAX (0.F2h) – Memory Management CODE Base Address Register

7	6	5	4	3	2	1	0
CBAX16	CBAX15	CBAX14	CBAX13	CBAX12	CBAX11	CBAX10	CBAX9
Bit Number	Bit Mnemonic	Description					
7-0	CBAX16:9	<b>CODE Base Address Most Significant Bits of Context MEMPID</b> 17-bit CODE Base Address: X XXXX XXX0 0000 0000b. 512-byte alignment, no offset.					

Reset Value MEMCBA0 = 0 0000 000b

**Table 66.** MEMDBAX Register

MEMDBAX (0.F3h) – Memory Management DATA Base Address Register

7	6	5	4	3	2	1	0
DBAX16	DBAX15	DBAX14	DBAX13	DBAX12	DBAX11	DBAX10	DBAX9
Bit Number	Bit Mnemonic	Description					
7-0	DBAX16:9	<b>DATA Base Address Most Significant Bits of Context MEMPID</b> 17-bit DATA Base Address: X XXXX XXX1 0000 0000b. 512-byte alignment with 256-byte offset.					

Reset Value MEMDBAX = 0 1111 111b

**Table 67.** MEMXBAX Register

MEMXBAX (0.F4h) – Memory Management XDATA Base Address Registers

7	6	5	4	3	2	1	0
XBAX16	XBAX15	XBAX14	XBAX13	XBAX12	XBAX11	XBAX10	XBAX9
Bit Number	Bit Mnemonic	Description					
7-0	XBAX16:9	<b>XDATA Base Address Most Significant Bits of Context MEMPID</b> 17-bit CODE Base Address: X XXXX XXX0 0000 0000b. 512-byte alignment, no offset.					

Reset Value MEMXBAX = 0 1111 000b

**Table 68.** MEMCSX Register

MEMCSX (0.F5h) – Memory Management CODE Size Register

7	6	5	4	3	2	1	0
CSX7	CSX6	CSX5	CSX4	CSX3	CSX2	CSX1	CSX0

Bit Number	Bit Mnemonic	Description
7-0	CSX7:0	<b>CODE Size Bits of Context MEMPID</b> Size is equals to (CSX+1) x 256 bytes. CODE sizes available: from 256 bytes to 64 Kbytes, by 256-byte steps.

Reset Value MEMCSX = 1110 1111b

**Table 69.** MEMXSX Register

MEMXSX (0.F6h) – Memory Management XDATA Size Register

7	6	5	4	3	2	1	0
<b>XSX7</b>	<b>XSX6</b>	<b>XSX5</b>	<b>XSX4</b>	<b>XSX3</b>	<b>XSX2</b>	<b>XSX1</b>	<b>XSX0</b>

Bit Number	Bit Mnemonic	Description
7-0	XSX7:0	<b>XDATA Size Bits of Context MEMPID</b> Size is equals to (XSX+1) x 256 bytes. XDATA sizes available: from 256 bytes to 64 Kbytes, by 256-byte steps.

Reset Value MEMXSX = 0000 1110b



## Interrupt System

The AT85C51SND3Bx, like other control-oriented computer architectures, employ a program interrupt method. This operation branches to a subroutine and performs some service in response to the interrupt. When the subroutine completes, execution resumes at the point where the interrupt occurred. Interrupts may occur as a result of internal AT85C51SND3Bx activity (e.g., timer overflow) or at the initiation of electrical signals external to the microcontroller (e.g., keyboard). In all cases, interrupt operation is programmed by the system designer, who determines priority of interrupt service relative to normal code execution and other interrupt service routines. All of the interrupt sources are enabled or disabled by the system designer and may be manipulated dynamically.

A typical interrupt event chain occurs as follows:

- An internal or external device initiates an interrupt-request signal. The AT85C51SND3Bx, latch this event into a flag buffer.
- The priority of the flag is compared to the priority of other interrupts by the interrupt handler. A high priority causes the handler to set an interrupt flag.
- This signals the instruction execution unit to execute a context switch. This context switch breaks the current flow of instruction sequences. The execution unit completes the current instruction prior to a save of the program counter (PC) and reloads the PC with the start address of a software service routine.
- The software service routine executes assigned tasks and as a final activity performs a RETI (return from interrupt) instruction. This instruction signals completion of the interrupt, resets the interrupt-in-progress priority and reloads the program counter. Program operation then continues from the original point of interruption.

Six interrupt registers are used to control the interrupt system:

- Two 8-bit registers are used to enable separately the interrupt sources: IEN0 and IEN1 registers (see Table 72 and Table 73).
- Four 8-bit registers are used to establish the priority level of the different sources: IPH0, IPL0, IPH1 and IPL1 registers (see Table 74 to Table 77).

## Interrupt System Priorities

Each interrupt sources of the AT85C51SND3Bx can be individually programmed to one of four priority levels. This is accomplished by one bit in the Interrupt Priority High registers (IPH0 and IPH1) and one bit in the Interrupt Priority Low registers (IPL0 and IPL1). This provides each interrupt source four possible priority levels according to Table 70.

**Table 70.** Priority Levels

IPHxx	IPLxx	Priority Level
0	0	0 Lowest
0	1	1
1	0	2
1	1	3 Highest

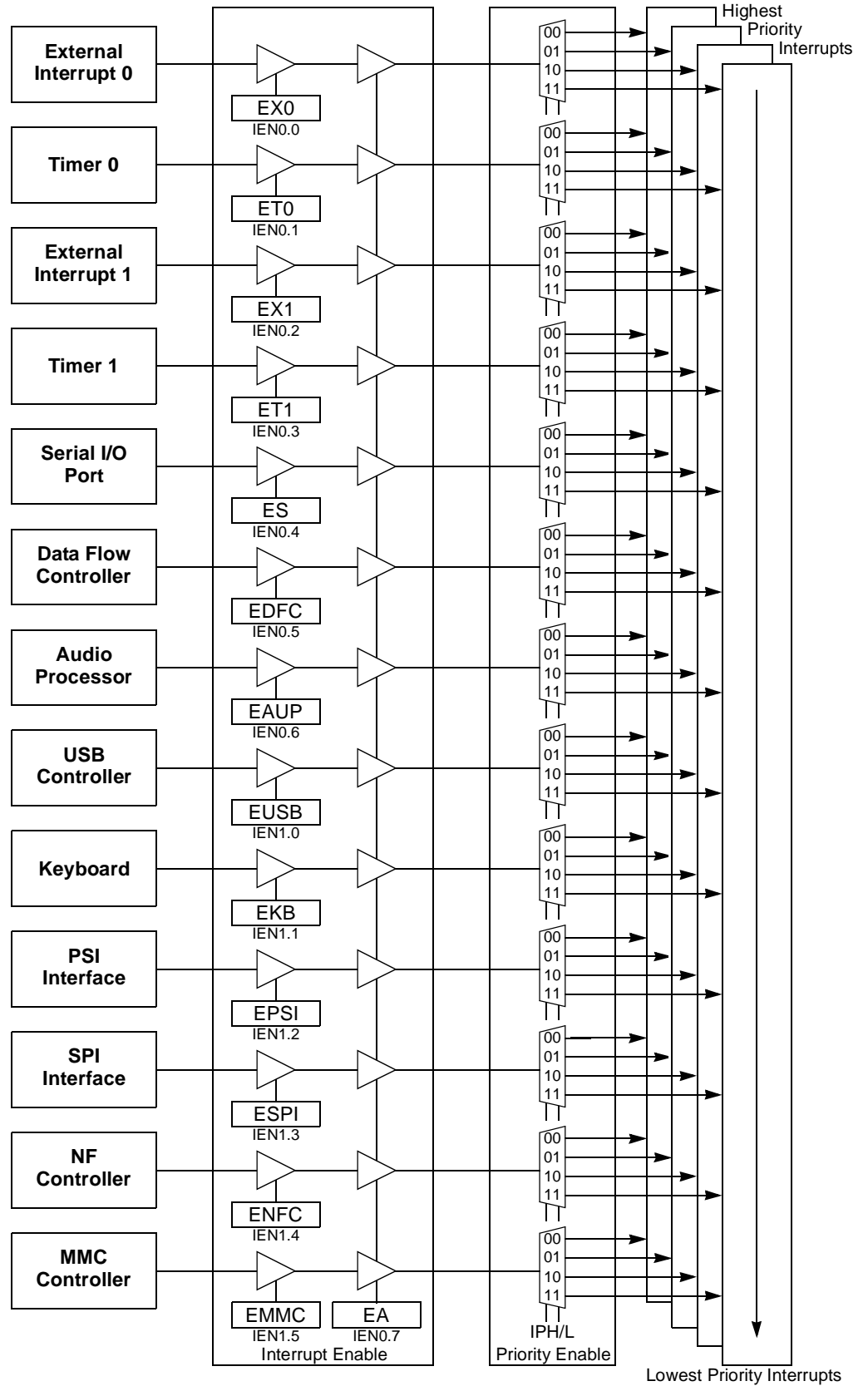
A low-priority interrupt is always interrupted by a higher priority interrupt but not by another interrupt of lower or equal priority. Higher priority interrupts are serviced before lower priority interrupts. The response to simultaneous occurrence of equal priority interrupts is determined by an internal hardware polling sequence detailed in Table 71. Thus, within each priority level there is a second priority structure determined by the polling sequence. The interrupt control system is shown in Interrupt Control System.

**Table 71.** Priority Within Same Level

Interrupt Name	Priority Number	Interrupt Address Vectors	Interrupt Request Flag Cleared by Hardware (H) or by Software (S)
$\overline{\text{INT0}}$	0 (Highest Priority)	C:0003h	H if edge, S if level
Timer 0	1	C:000Bh	H
$\overline{\text{INT1}}$	2	C:0013h	H if edge, S if level
Timer 1	3	C:001Bh	H
Serial I/O Port	4	C:0023h	S
Data Flow Controller	5	C:002Bh	S
Audio Processor	6	C:0033h	S
USB Controller	7	C:003Bh	S
Keyboard	8	C:0043h	S
Parallel Slave Interface	9	C:004Bh	S
Serial Peripheral Interface	10	C:0053h	S
Nand Flash Controller	11	C:005Bh	S
MMC Controller	12	C:0063h	S
Reserved	13	C:006Bh	-
Reserved	14 (Lowest Priority)	C:0073h	-



Figure 28. Interrupt Control System



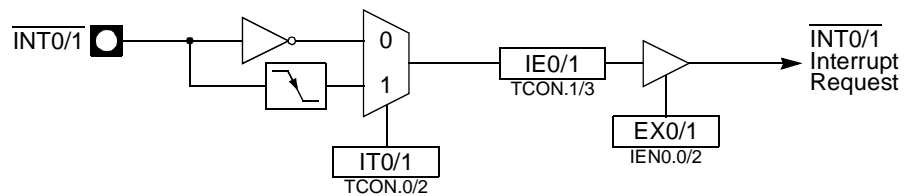
## External Interrupts

### $\overline{\text{INT1:0}}$ Inputs

External interrupts  $\overline{\text{INT0}}$  and  $\overline{\text{INT1}}$  ( $\overline{\text{INTn}}$ ,  $n = 0$  or  $1$ ) pins may each be programmed to be level-triggered or edge-triggered, dependent upon bits  $\text{IT0}$  and  $\text{IT1}$  ( $\text{ITn}$ ,  $n = 0$  or  $1$ ) in  $\text{TCON}$  register as shown in  $\overline{\text{INT1:0}}$  Input Circuitry. If  $\text{ITn} = 0$ ,  $\overline{\text{INTn}}$  is triggered by a low level at the pin. If  $\text{ITn} = 1$ ,  $\overline{\text{INTn}}$  is negative-edge triggered. External interrupts are enabled with bits  $\text{EX0}$  and  $\text{EX1}$  ( $\text{EXn}$ ,  $n = 0$  or  $1$ ) in  $\text{IEN0}$ . Events on  $\overline{\text{INTn}}$  set the interrupt request flag  $\text{IEn}$  in  $\text{TCON}$  register. If the interrupt is edge-triggered, the request flag is cleared by hardware when vectoring to the interrupt service routine. If the interrupt is level-triggered, the interrupt service routine must clear the request flag and the interrupt must be de-asserted before the end of the interrupt service routine.

$\overline{\text{INT0}}$  and  $\overline{\text{INT1}}$  inputs provide both the capability to exit from Power-down mode on low level signals as detailed in Section “Exiting Power-down Mode”, page 21.

**Figure 29.**  $\overline{\text{INT1:0}}$  Input Circuitry



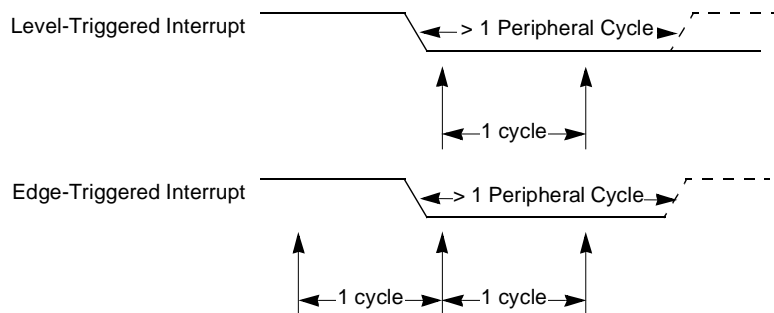
### $\text{KIN3:0}$ Inputs

External interrupts  $\text{KIN0}$  to  $\text{KIN3}$  provide the capability to connect a matrix keyboard. For detailed information on these inputs, refer to Section “Keyboard Interface”, page 239.

### Input Sampling

External interrupt pins ( $\overline{\text{INT1:0}}$  and  $\text{KIN3:0}$ ) are sampled once per peripheral cycle (6 peripheral clock periods) (see Minimum Pulse Timings). A level-triggered interrupt pin held low or high for more than 6 peripheral clock periods (12 oscillator in standard mode or 6 oscillator clock periods in X2 mode) guarantees detection. Edge-triggered external interrupts must hold the request pin low for at least 6 peripheral clock periods.

**Figure 30.** Minimum Pulse Timings



Registers

**Table 72.** IEN0 Register

IEN0 (0.A8h) – Interrupt Enable Register 0

7	6	5	4	3	2	1	0
EA	EAUP	EDFC	ES	ET1	EX1	ET0	EX0
Bit Number	Bit Mnemonic	Description					
7	EA	<b>Enable All Interrupt Bit</b> Set to enable all interrupts. Clear to disable all interrupts. If EA = 1, each interrupt source is individually enabled or disabled by setting or clearing its interrupt enable bit.					
6	EAUP	<b>AUP Interrupt Enable Bit</b> Set to enable audio processor interrupt. Clear to disable audio processor interrupt.					
5	EDFC	<b>DFC Enable Bit</b> Set to enable data flow interrupt. Clear to disable data flow interrupt.					
4	ES	<b>SIO Interrupt Enable Bit</b> Set to enable serial port interrupt. Clear to disable serial port interrupt.					
3	ET1	<b>T1 Overflow Interrupt Enable Bit</b> Set to enable timer 1 overflow interrupt. Clear to disable timer 1 overflow interrupt.					
2	EX1	<b>EX1 Interrupt Enable bit</b> Set to enable external interrupt 1. Clear to disable external interrupt 1.					
1	ET0	<b>T0 Overflow Interrupt Enable Bit</b> Set to enable timer 0 overflow interrupt. Clear to disable timer 0 overflow interrupt.					
0	EX0	<b>EX0 Interrupt Enable Bit</b> Set to enable external interrupt 0. Clear to disable external interrupt 0.					

Reset Value = 0000 0000b

**Table 73.** IEN1 Register

IEN1 (0.B1h) – Interrupt Enable Register 1

7	6	5	4	3	2	1	0
-	-	EMMC	ENFC	ESPI	EPSI	EKB	EUSB
Bit Number	Bit Mnemonic	Description					
7-6	-	<b>Reserved</b> The value read from these bits is always 0. Do not set these bits.					
5	EMMC	<b>MMC/SD Interrupt Enable Bit</b> Set to enable MMC/SD interrupt. Clear to disable MMC/SD interrupt.					
4	ENFC	<b>NFC Interrupt Enable Bit</b> Set to enable IDE interrupt. Clear to disable IDE interrupt.					
3	ESPI	<b>SPI Interrupt Enable Bit</b> Set to enable SPI interrupt. Clear to disable SPI interrupt.					
2	EPSI	<b>PSI Interrupt Enable Bit</b> Set to enable PSI interrupt. Clear to disable PSI interrupt.					
1	EKB	<b>KBD Interrupt Enable Bit</b> Set to enable Keyboard interrupt. Clear to disable Keyboard interrupt.					
0	EUSB	<b>USB Interrupt Enable Bit</b> Set this bit to enable USB interrupt. Clear this bit to disable USB interrupt.					

Reset Value = 0000 0000b

**Table 74.** IPH0 Register

IPH0 (0.B7h) – Interrupt Priority High Register 0

7	6	5	4	3	2	1	0
-	IPHAUP	IPHDFC	IPHS	IPHT1	IPHX1	IPHT0	IPHX0
Bit Number	Bit Mnemonic	Description					
7	-	<b>Reserved</b> The value read from this bit is indeterminate. Do not set this bit.					
6	IPHAUP	<b>AUP Interrupt Priority Level Msb</b> Refer to Table 70 for priority level description.					
5	IPHDFC	<b>DFC Interrupt Priority Level Msb</b> Refer to Table 70 for priority level description.					
4	IPHS	<b>SIO Interrupt Priority Level Msb</b> Refer to Table 70 for priority level description.					
3	IPHT1	<b>T1 Interrupt Priority Level Msb</b> Refer to Table 70 for priority level description.					
2	IPHX1	<b>EX1 Interrupt Priority Level Msb</b> Refer to Table 70 for priority level description.					
1	IPHT0	<b>T0 Interrupt Priority Level Msb</b> Refer to Table 70 for priority level description.					
0	IPHX0	<b>EX0 Interrupt Priority Level Msb</b> Refer to Table 70 for priority level description.					

Reset Value = X000 0000b

**Table 75.** IPH1 Register

IPH1 (0.B3h) – Interrupt Priority High Register 1

7	6	5	4	3	2	1	0
-	-	IPHMMC	IPHNFC	IPHSPI	IPHPSI	IPHKB	IPHUSB
Bit Number	Bit Mnemonic	Description					
7-6	-	<b>Reserved</b> The value read from these bits is always 0. Do not set these bits.					
5	IPHMMC	<b>MMC/SD Interrupt Priority Level Msb</b> Refer to Table 70 for priority level description.					
4	IPHNFC	<b>NFC Interrupt Priority Level Msb</b> Refer to Table 70 for priority level description.					
3	IPHSPI	<b>SPI Interrupt Priority Level Msb</b> Refer to Table 70 for priority level description.					
2	IPHPSI	<b>PSI Interrupt Priority Level Msb</b> Refer to Table 70 for priority level description.					
1	IPHKB	<b>KBD Interrupt Priority Level Msb</b> Refer to Table 70 for priority level description.					
0	IPHUSB	<b>USB Interrupt Priority Level Msb</b> Refer to Table 70 for priority level description.					

Reset Value = 0000 0000b

**Table 76.** IPL0 Register

IPL0 (0.B8h) - Interrupt Priority Low Register 0

7	6	5	4	3	2	1	0
-	IPLAUP	IPLDFC	IPLS	IPLT1	IPLX1	IPLT0	IPLX0
Bit Number	Bit Mnemonic	Description					
7	-	<b>Reserved</b> The value read from this bit is indeterminate. Do not set this bit.					
6	IPLAUP	<b>AUP Interrupt Priority Level Lsb</b> Refer to Table 70 for priority level description.					
5	IPLDFC	<b>DFC Interrupt Priority Level Lsb</b> Refer to Table 70 for priority level description.					
4	IPLS	<b>SIO Interrupt Priority Level Lsb</b> Refer to Table 70 for priority level description.					
3	IPLT1	<b>T1 Interrupt Priority Level Lsb</b> Refer to Table 70 for priority level description.					
2	IPLX1	<b>EX1 Interrupt Priority Level Lsb</b> Refer to Table 70 for priority level description.					
1	IPLT0	<b>T0 Interrupt Priority Level Lsb</b> Refer to Table 70 for priority level description.					
0	IPLX0	<b>EX0 Interrupt Priority Level Lsb</b> Refer to Table 70 for priority level description.					

Reset Value = X000 0000b

**Table 77.** IPL1 Register

IPL1 (0.B2h) – Interrupt Priority Low Register 1

7	6	5	4	3	2	1	0
-	-	IPLMMC	IPLNFC	IPLSPI	IPLPSI	IPLKB	IPLUSB
Bit Number	Bit Mnemonic	Description					
7-6	-	<b>Reserved</b> The value read from these bits is always 0. Do not set these bits.					
5	IPLMMC	<b>MMC/SD Interrupt Priority Level Lsb</b> Refer to Table 70 for priority level description.					
4	IPLNFC	<b>NFC Interrupt Priority Level Lsb</b> Refer to Table 70 for priority level description.					
3	IPLSPI	<b>SPI Interrupt Priority Level Lsb</b> Refer to Table 70 for priority level description.					
2	IPLPSI	<b>PSI Interrupt Priority Level Lsb</b> Refer to Table 70 for priority level description.					
1	IPLKB	<b>KBD Interrupt Priority Level Lsb</b> Refer to Table 70 for priority level description.					
0	IPLUSB	<b>USB Interrupt Priority Level Lsb</b> Refer to Table 70 for priority level description.					

Reset Value = 0000 0000b



## Timers/Counters

The AT85C51SND3Bx implement 2 general-purpose, 16-bit Timers/Counters. They are identified as Timer 0 and Timer 1, and can be independently configured to operate in a variety of modes as a Timer or as an event Counter. When operating as a Timer, the Timer/Counter runs for a programmed length of time, then issues an interrupt request. When operating as a Counter, the Timer/Counter counts negative transitions on an external pin. After a preset number of counts, the Counter issues an interrupt request.

The various operating modes of each Timer/Counter are described in the following sections.

### Timer/Counter Operations

For instance, a basic operation is Timer registers THx and TLx ( $x = 0, 1$ ) connected in cascade to form a 16-bit Timer. Setting the run control bit (TRx) in TCON register (see Table 81) turns the Timer on by allowing the selected input to increment TLx. When TLx overflows it increments THx; when THx overflows it sets the Timer overflow flag (TFx) in TCON register. Setting the TRx does not clear the THx and TLx Timer registers. Timer registers can be accessed to obtain the current count or to enter preset values. They can be read at any time but TRx bit must be cleared to preset their values, otherwise, the behavior of the Timer/Counter is unpredictable.

The C/Tx# control bit selects Timer operation or Counter operation by selecting the divided-down peripheral clock or external pin Tx as the source for the counted signal. TRx bit must be cleared when changing the mode of operation, otherwise the behavior of the Timer/Counter is unpredictable.

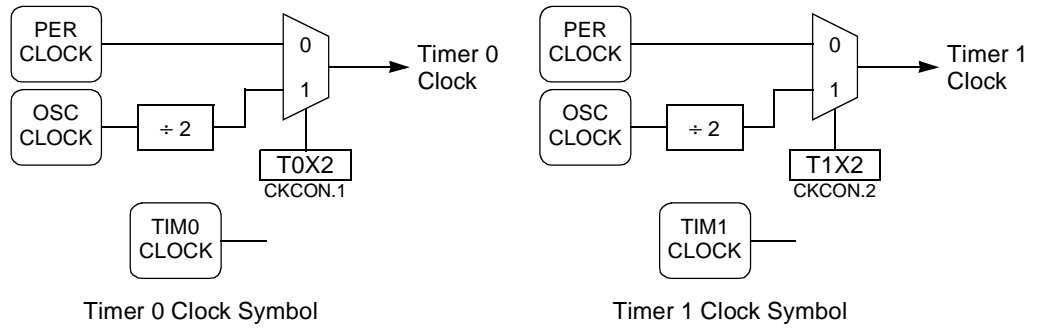
For Timer operation ( $C/Tx\# = 0$ ), the Timer register counts the divided-down peripheral clock. The Timer register is incremented once every peripheral cycle (6 peripheral clock periods). The Timer clock rate is  $F_{PER}/6$ , i.e.,  $F_{OSC}/12$  in standard mode or  $F_{OSC}/6$  in X2 mode.

For Counter operation ( $C/Tx\# = 1$ ), the Timer register counts the negative transitions on the Tx external input pin. The external input is sampled every peripheral cycles. When the sample is high in one cycle and low in the next one, the Counter is incremented. Since it takes 2 cycles (12 peripheral clock periods) to recognize a negative transition, the maximum count rate is  $F_{PER}/12$ , i.e.,  $F_{OSC}/24$  in standard mode or  $F_{OSC}/12$  in X2 mode. There are no restrictions on the duty cycle of the external input signal, but to ensure that a given level is sampled at least once before it changes, it should be held for at least one full peripheral cycle.

### Timer Clock Controller

As shown in Figure 31, the Timer 0 (FT0) and Timer 1 (FT1) clocks are derived from either the peripheral clock ( $F_{PER}$ ) or the oscillator clock ( $F_{OSC}$ ) depending on the T0X2 and T1X2 bits in CKCON register. These clocks are issued from the Clock Controller block as detailed in Section “Oscillator”, page 27. When T0X2 or T1X2 bit is set, the Timer 0 or Timer 1 clock frequency is fixed and equal to the oscillator clock frequency divided by 2. When cleared, the Timer clock frequency is equal to the oscillator clock frequency divided by 2 in standard mode or to the oscillator clock frequency in X2 mode.

**Figure 31.** Timer 0 and Timer 1 Clock Controller and Symbols



## Timer 0

Timer 0 functions as either a Timer or event Counter in four modes of operation. Figure 32, Figure 34, Figure 36, and Figure 38 show the logical configuration of each mode.

Timer 0 is controlled by the four lower bits of TMOD register (see Table 82) and bits 0, 1, 4 and 5 of TCON register (see Table 81). TMOD register selects the method of Timer gating (GATE0), Timer or Counter operation (C/T0#) and mode of operation (M10 and M00) according to Table 78. TCON register provides Timer 0 control functions: overflow flag (TF0), run control bit (TR0), interrupt flag (IE0) and interrupt type control bit (IT0).

For normal Timer operation (GATE0 = 0), setting TR0 allows TL0 to be incremented by the selected input. Setting GATE0 and TR0 allows external pin INT0 to control Timer operation.

Timer 0 overflow (count rolls over from all 1s to all 0s) sets TF0 flag generating an interrupt request.

It is important to stop Timer/Counter before changing mode.

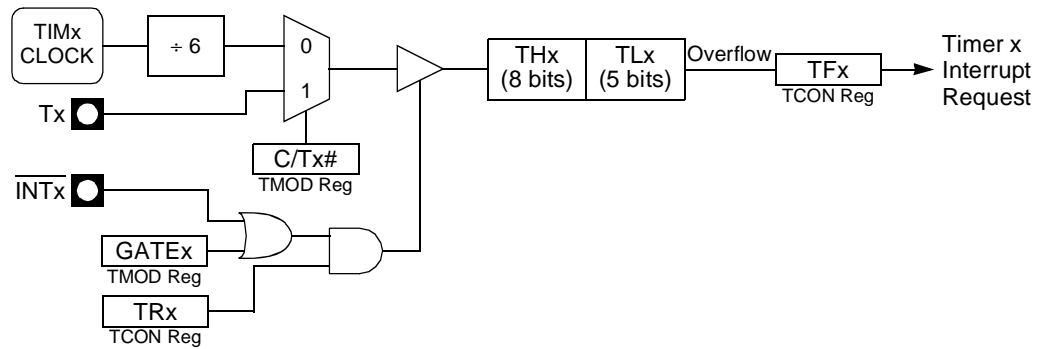
**Table 78.** Timer/counter 0 Operating Modes

M10	M00	Mode	Operation
0	0	0	8-bit Timer/Counter (TH0) with 5-bit prescaler (TL0).
0	1	1	16-bit Timer/Counter.
1	0	2	8-bit auto-reload Timer/Counter (TL0).
1	1	3	TL0 is an 8-bit Timer/Counter. TH0 is an 8-bit Timer using Timer 1's TR0 and TF0 bits.

### Mode 0 (13-bit Timer)

Mode 0 configures Timer 0 as a 13-bit Timer which is set up as an 8-bit Timer (TH0 register) with a modulo 32 prescaler implemented with the lower five bits of TL0 register (see Figure 32). The upper three bits of TL0 register are indeterminate and should be ignored. Prescaler overflow increments TH0 register. Figure 33 gives the overflow period calculation formula.

**Figure 32.** Timer/Counter x (x = 0 or 1) in Mode 0



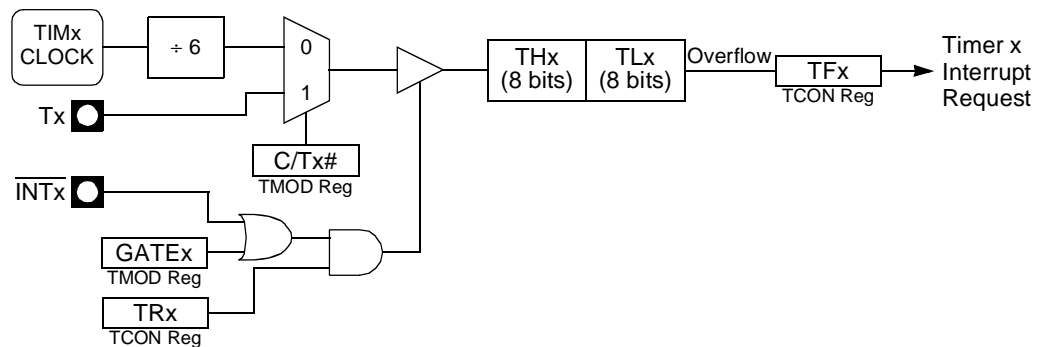
**Figure 33.** Mode 0 Overflow Period Formula

$$TFx_{PER} = \frac{6 \cdot (16384 - (THx, TLx))}{F_{TIMx}}$$

**Mode 1 (16-bit Timer)**

Mode 1 configures Timer 0 as a 16-bit Timer with TH0 and TL0 registers connected in cascade (see Figure 34). The selected input increments TL0 register. Figure 35 gives the overflow period calculation formula when in timer mode.

**Figure 34.** Timer/Counter x (x = 0 or 1) in Mode 1



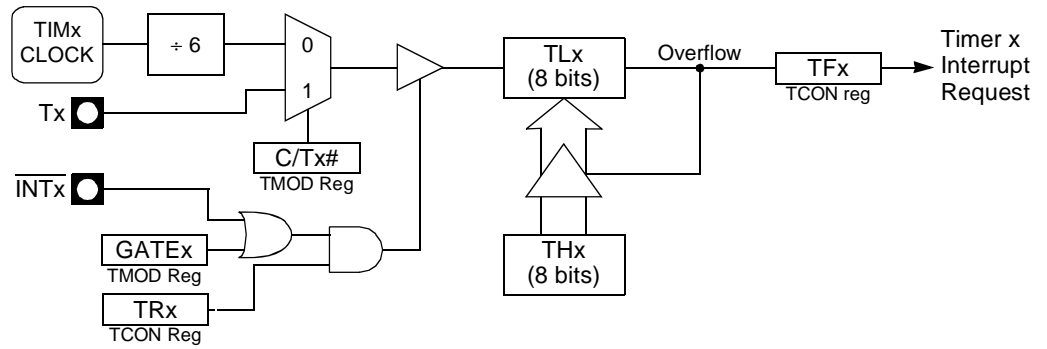
**Figure 35.** Mode 1 Overflow Period Formula

$$TFx_{PER} = \frac{6 \cdot (65536 - (THx, TLx))}{F_{TIMx}}$$

**Mode 2 (8-bit Timer with Auto-Reload)**

Mode 2 configures Timer 0 as an 8-bit Timer (TL0 register) that automatically reloads from TH0 register (see Figure 36). TL0 overflow sets TF0 flag in TCON register and reloads TL0 with the contents of TH0, which is preset by software. When the interrupt request is serviced, hardware clears TF0. The reload leaves TH0 unchanged. The next reload value may be changed at any time by writing it to TH0 register. Figure 37 gives the auto-reload period calculation formula when in timer mode.

**Figure 36.** Timer/Counter x (x = 0 or 1) in Mode 2



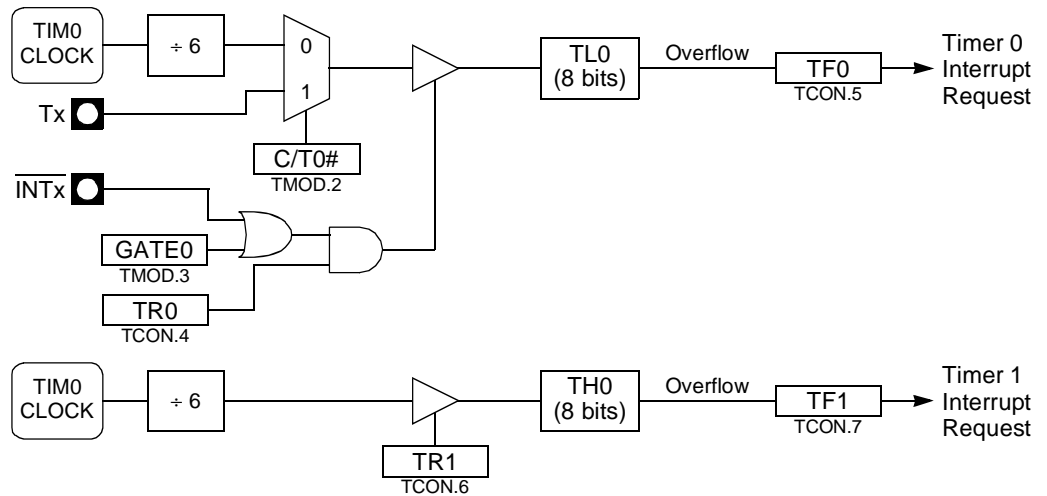
**Figure 37.** Mode 2 Auto-reload Period Formula

$$TF_{xPER} = \frac{6 \cdot (256 - TH_x)}{F_{TIM_x}}$$

**Mode 3 (2 x 8-bit Timers)**

Mode 3 configures Timer 0 such that registers TL0 and TH0 operate as separate 8-bit Timers (see Figure 38). This mode is provided for applications requiring an additional 8-bit Timer or Counter. TL0 uses the Timer 0 control bits C/T0# and GATE0 in TMOD register, and TR0 and TF0 in TCON register in the normal manner. TH0 is locked into a Timer function (counting  $F_{TF1}/6$ ) and takes over use of the Timer 1 interrupt (TF1) and run control (TR1) bits. Thus, operation of Timer 1 is restricted when Timer 0 is in mode 3. Figure 39 gives the auto-reload period calculation formulas for both TF0 and TF1 flags.

**Figure 38.** Timer/Counter 0 in Mode 3: 2 8-bit Counters



**Figure 39.** Mode 3 Overflow Period Formula

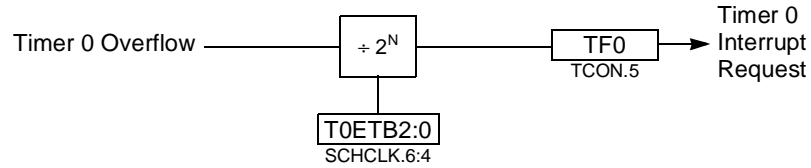
$$TF_{0PER} = \frac{6 \cdot (256 - TL_0)}{F_{TIM_0}}$$

$$TF_{1PER} = \frac{6 \cdot (256 - TH_0)}{F_{TIM_0}}$$

## Timer 0 Enhanced Mode

Timer 0 overflow period can be increased in all modes by enabling a divider as detailed in Figure 40. This mode is implemented to allow higher time periods as it can be used for example as a scheduler time base with auto-reload (mode 2). Timer 0 enhanced mode is enabled by programming T0ETB2:0 bits in SCHCLK (see Table 87) to a value other than 000b and according to Table 79.

**Figure 40.** Timer/Counter 0 Enhanced Mode



**Table 79.** Timer/counter 0 Enhanced Overflow Period

T0ETB2	T0ETB1	T0ETB0	New TF0 Overflow Period
0	0	0	$TF0_{PER} \div 1$ (divider disable)
0	0	1	$TF0_{PER} \div 2$
0	1	0	$TF0_{PER} \div 4$
0	1	1	$TF0_{PER} \div 8$
1	0	0	$TF0_{PER} \div 16$
1	0	1	$TF0_{PER} \div 32$
1	1	0	$TF0_{PER} \div 64$
1	1	1	$TF0_{PER} \div 128$

## Timer 1

Timer 1 is identical to Timer 0 except for Mode 3 which is a hold-count mode and for the enhanced mode which is not available. The following comments help to understand the differences:

- Timer 1 functions as either a Timer or event Counter in three modes of operation. Figure 32, Figure 34, and Figure 36 show the logical configuration for modes 0, 1, and 2. Timer 1's mode 3 is a hold-count mode.
- Timer 1 is controlled by the four high-order bits of TMOD register (see Table 82) and bits 2, 3, 6 and 7 of TCON register (see Table 81). TMOD register selects the method of Timer gating (GATE1), Timer or Counter operation (C/T1#) and mode of operation (M11 and M01) according to Table 80. TCON register provides Timer 1 control functions: overflow flag (TF1), run control bit (TR1), interrupt flag (IE1) and interrupt type control bit (IT1).
- Timer 1 can serve as the Baud Rate Generator for the Serial Port. Mode 2 is best suited for this purpose.
- For normal Timer operation (GATE1 = 0), setting TR1 allows TL1 to be incremented by the selected input. Setting GATE1 and TR1 allows external pin INT1 to control Timer operation.
- Timer 1 overflow (count rolls over from all 1s to all 0s) sets the TF1 flag generating an interrupt request.
- When Timer 0 is in mode 3, it uses Timer 1's overflow flag (TF1) and run control bit (TR1). For this situation, use Timer 1 only for applications that do not require an interrupt (such as a Baud Rate Generator for the Serial Port) and switch Timer 1 in and out of mode 3 to turn it off and on.

- It is important to stop the Timer/Counter before changing modes.

**Table 80.** Timer/counter 1 Operating Modes

M11	M01	Mode	Operation
0	0	0	8-bit Timer/Counter (TH1) with 5-bit prescaler (TL1).
0	1	1	16-bit Timer/Counter.
1	0	2	8-bit auto-reload Timer/Counter (TL1).
1	1	3	Timer/Counter halted. Retains count.

**Mode 0 (13-bit Timer)**

Mode 0 configures Timer 1 as a 13-bit Timer, which is set up as an 8-bit Timer (TH1 register) with a modulo-32 prescaler implemented with the lower 5 bits of the TL1 register (see Figure 32). The upper 3 bits of TL1 register are ignored. Prescaler overflow increments TH1 register.

**Mode 1 (16-bit Timer)**

Mode 1 configures Timer 1 as a 16-bit Timer with TH1 and TL1 registers connected in cascade (see Figure 34). The selected input increments TL1 register.

**Mode 2 (8-bit Timer with Auto-Reload)**

Mode 2 configures Timer 1 as an 8-bit Timer (TL1 register) with automatic reload from TH1 register on overflow (see Figure 36). TL1 overflow sets TF1 flag in TCON register and reloads TL1 with the contents of TH1, which is preset by software. The reload leaves TH1 unchanged.

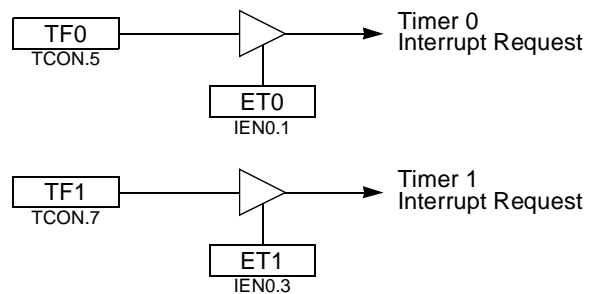
**Mode 3 (Halt)**

Placing Timer 1 in mode 3 causes it to halt and hold its count. This can be used to halt Timer 1 when TR1 run control bit is not available i.e. when Timer 0 is in mode 3.

**Interrupt**

Each Timer handles one interrupt source that is the timer overflow flag TF0 or TF1. This flag is set every time an overflow occurs. Flags are cleared when vectoring to the Timer interrupt routine. Interrupts are enabled by setting ETx bit in IEN0 register. This assumes interrupts are globally enabled by setting EA bit in IEN0 register.

**Figure 41.** Timer Interrupt System



Registers

**Table 81.** TCON Register

TCON (0.88h) – Timer/Counter Control Register

7	6	5	4	3	2	1	0
TF1	TR1	TF0	TR0	IE1	IT1	IE0	IT0
Bit Number	Bit Mnemonic	Description					
7	TF1	<b>Timer 1 Overflow Flag</b> Cleared by hardware when processor vectors to interrupt routine. Set by hardware on Timer/Counter overflow, when Timer 1 register overflows.					
6	TR1	<b>Timer 1 Run Control Bit</b> Clear to turn off Timer/Counter 1. Set to turn on Timer/Counter 1.					
5	TF0	<b>Timer 0 Overflow Flag</b> Cleared by hardware when processor vectors to interrupt routine. Set by hardware on Timer/Counter overflow, when Timer 0 register overflows.					
4	TR0	<b>Timer 0 Run Control Bit</b> Clear to turn off Timer/Counter 0. Set to turn on Timer/Counter 0.					
3	IE1	<b>Interrupt 1 Edge Flag</b> Cleared by hardware when interrupt is processed if edge-triggered (see IT1). Set by hardware when external interrupt is detected on INT1 pin.					
2	IT1	<b>Interrupt 1 Type Control Bit</b> Clear to select low level active (level triggered) for external interrupt 1 ( $\overline{\text{INT1}}$ ). Set to select falling edge active (edge triggered) for external interrupt 1.					
1	IE0	<b>Interrupt 0 Edge Flag</b> Cleared by hardware when interrupt is processed if edge-triggered (see IT0). Set by hardware when external interrupt is detected on $\overline{\text{INT0}}$ pin.					
0	IT0	<b>Interrupt 0 Type Control Bit</b> Clear to select low level active (level triggered) for external interrupt 0 ( $\overline{\text{INT0}}$ ). Set to select falling edge active (edge triggered) for external interrupt 0.					

Reset Value = 0000 0000b

**Table 82.** TMOD Register

TMOD (0.89h) – Timer/Counter Mode Control Register

7	6	5	4	3	2	1	0
<b>GATE1</b>	<b>C/T1#</b>	<b>M11</b>	<b>M01</b>	<b>GATE0</b>	<b>C/T0#</b>	<b>M10</b>	<b>M00</b>
Bit Number	Bit Mnemonic	Description					
7	GATE1	<b>Timer 1 Gating Control Bit</b> Clear to enable Timer 1 whenever TR1 bit is set. Set to enable Timer 1 only while $\overline{INT1}$ pin is high and TR1 bit is set.					
6	C/T1#	<b>Timer 1 Counter/Timer Select Bit</b> Clear for Timer operation: Timer 1 counts the divided-down system clock. Set for Counter operation: Timer 1 counts negative transitions on external pin T1.					
5	M11	<b>Timer 1 Mode Select Bits</b> Refer to Table 80 for Timer 1 operation.					
4	M01						
3	GATE0	<b>Timer 0 Gating Control Bit</b> Clear to enable Timer 0 whenever TR0 bit is set. Set to enable Timer/Counter 0 only while $\overline{INT0}$ pin is high and TR0 bit is set.					
2	C/T0#	<b>Timer 0 Counter/Timer Select Bit</b> Clear for Timer operation: Timer 0 counts the divided-down system clock. Set for Counter operation: Timer 0 counts negative transitions on external pin T0.					
1	M10	<b>Timer 0 Mode Select Bit</b> Refer to Table 78 for Timer 0 operation.					
0	M00						

Reset Value = 0000 0000b

**Table 83.** TH0 Register

TH0 (0.8Ch) – Timer 0 High Byte Register

7	6	5	4	3	2	1	0
-	-	-	-	-	-	-	-
Bit Number	Bit Mnemonic	Description					
7-0		<b>High Byte of Timer 0</b>					

Reset Value = 0000 0000b



**Table 84.** TL0 Register

TL0 (0.8Ah) – Timer 0 Low Byte Register

7	6	5	4	3	2	1	0
-	-	-	-	-	-	-	-
Bit Number	Bit Mnemonic	Description					
7-0		Low Byte of Timer 0					

Reset Value = 0000 0000b

**Table 85.** TH1 Register

TH1 (0.8Dh) – Timer 1 High Byte Register

7	6	5	4	3	2	1	0
-	-	-	-	-	-	-	-
Bit Number	Bit Mnemonic	Description					
7-0		High Byte of Timer 1					

Reset Value = 0000 0000b

**Table 86.** TL1 Register

TL1 (0.8Bh) – Timer 1 Low Byte Register

7	6	5	4	3	2	1	0
-	-	-	-	-	-	-	-
Bit Number	Bit Mnemonic	Description					
7-0		Low Byte of Timer 1					

Reset Value = 0000 0000b

**Table 87.** SCHCLK Register

SCHCLK (0.FEh) – Scheduler Clocks Register

7	6	5	4	3	2	1	0
-	T0ETB2	T0ETB1	T0ETB0	-	-	-	-

Bit Number	Bit Mnemonic	Description
7	-	<b>Reserved</b> The value read from this bit is always 0. Do not set this bit.
6-4	T0ETB2:0	<b>Timer 0 Enhanced Time Base Bits</b> Refer to Table 79 for dividing values.
3-0	-	<b>Reserved</b> The value read from these bits is always 0. Do not set these bits.

Reset Value = 0000 0000b

## Watchdog Timer

The AT85C51SND3Bx implement a hardware Watchdog Timer (WDT) that automatically resets the chip if it is allowed to time out. The WDT provides a means of recovering from routines that do not complete successfully due to software or hardware malfunctions.

### Description

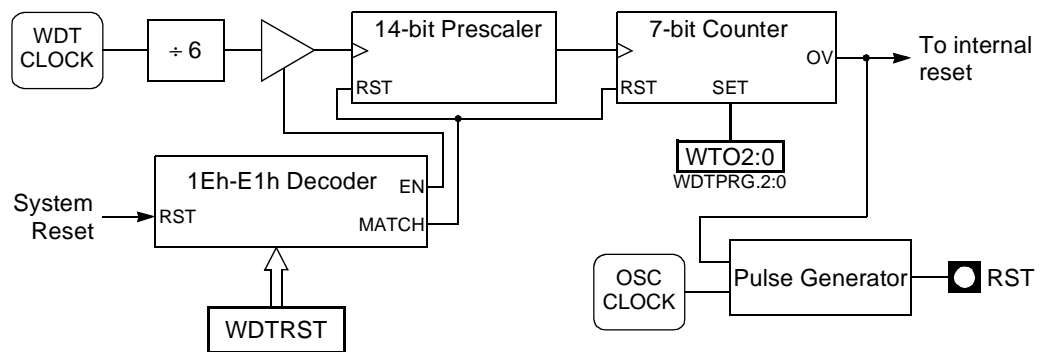
The WDT consists of a 14-bit prescaler followed by a 7-bit programmable counter. As shown in Figure 42, the 14-bit prescaler is fed by the WDT clock detailed in Section “Clock Controller”.

The Watchdog Timer Reset register (WDTRST, see Table 89) provides control access to the WDT, while the Watchdog Timer Program register (WDTPRG, see Figure 90) provides time-out period programming.

Three operations control the WDT:

- Chip reset clears and disables the WDT.
- Programming the time-out value to the WDTPRG register.
- Writing a specific 2-Byte 1Eh-E1h sequence to the WDTRST register clears and enables the WDT.

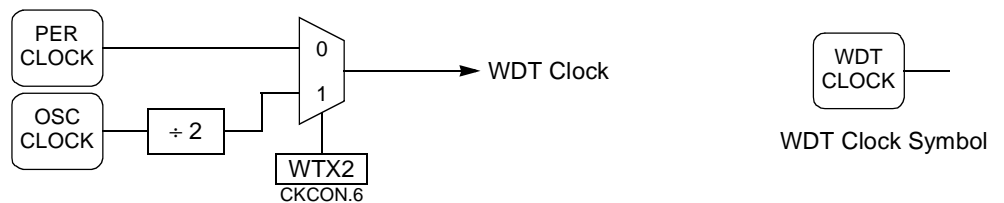
**Figure 42.** WDT Block Diagram



### Clock Controller

As shown in Figure 43 the WDT clock ( $F_{WDT}$ ) is derived from either the peripheral clock ( $F_{PER}$ ) or the oscillator clock ( $F_{OSC}$ ) depending on the WTX2 bit in CKCON register. These clocks are issued from the Clock Controller block as detailed in Section “Oscillator”, page 27. When WTX2 bit is set, the WDT clock frequency is fixed and equal to the oscillator clock frequency divided by 2. When cleared, the WDT clock frequency is equal to the oscillator clock frequency divided by 2 in standard mode or to the oscillator clock frequency in X2 mode.

**Figure 43.** WDT Clock Controller and Symbol



## Operation

After reset, the WDT is disabled. The WDT is enabled by writing the sequence 1Eh and E1h into the WDTRST register. As soon as it is enabled, there is no way except the chip reset to disable it. If it is not cleared using the previous sequence, the WDT overflows and forces a chip reset. This overflow generates a low level 96 oscillator periods pulse on the RST pin to globally reset the application (refer to Section “Watchdog Timer Reset”, page 24).

The WDT time-out period can be adjusted using WTO2:0 bits located in the WDTPRG register accordingly to the formula shown in Figure 44. In this formula, WTOval represents the decimal value of WTO2:0 bits. Table 88 reports the time-out period depending on the WDT frequency.

**Figure 44.** WDT Time-Out Formula

$$WDT_{TO} = \frac{6 \cdot (2^{14} \cdot 2^{WTOval})}{F_{WDT}}$$

**Table 88.** WDT Time-Out Computation

WTO2	WTO1	WTO0	WDT <sub>TO</sub> (ms) / F <sub>WDT</sub>						
			6 MHz <sup>(1)</sup>	8 MHz <sup>(1)</sup>	10 MHz <sup>(1)</sup>	12 MHz	16 MHz <sup>(2)</sup>	20 MHz <sup>(2)</sup>	24 MHz <sup>(2)</sup>
0	0	0	16.38	12.28	9.83	8.19	6.14	4.92	4.1
0	0	1	32.77	24.57	19.66	16.38	12.28	9.83	8.19
0	1	0	65.54	49.14	39.32	32.77	24.57	19.66	16.36
0	1	1	131.07	98.28	78.64	65.54	49.14	39.32	32.77
1	0	0	262.14	196.56	157.29	131.07	98.28	78.64	65.54
1	0	1	524.29	393.1	314.57	262.14	196.56	157.29	131.07
1	1	0	1049	786.24	629.15	524.29	393.12	314.57	262.14
1	1	1	2097	1572	1258	1049	786.24	629.15	524.29

- Notes:
1. These frequencies are achieved in X1 mode or in X2 mode when WTX2 = 1:  
 $F_{WDT} = F_{OSC} \div 2$ .
  2. These frequencies are achieved in X2 mode when WTX2 = 0:  $F_{WDT} = F_{OSC}$ .

## Behavior during Idle and Power-down Modes

Operation of the WDT during power reduction modes deserves special attention.

The WDT continues to count while the CPU core is in Idle mode. This means that you must dedicate some internal or external hardware to service the WDT during Idle mode. One approach is to use a peripheral Timer to generate an interrupt request when the Timer overflows. The interrupt service routine then clears the WDT, reloads the peripheral Timer for the next service period and puts the CPU core back into Idle mode.

The Power-down mode stops all phase clocks. This causes the WDT to stop counting and to hold its count. The WDT resumes counting from where it left off if the Power-down mode is terminated by  $\overline{INT0}$ ,  $\overline{INT1}$  or keyboard interrupt. To ensure that the WDT does not overflow shortly after exiting the Power-down mode, it is recommended to clear the WDT just before entering Power-down mode.

The WDT is cleared and disabled if the Power-down mode is terminated by a reset.

Registers

**Table 89.** WDTRST Register

WDTRST (0.A6h Write only) – Watchdog Timer Reset Register

7	6	5	4	3	2	1	0
-	-	-	-	-	-	-	-
Bit Number	Bit Mnemonic	Description					
7-0	-	Watchdog Control Value					

Reset Value = XXXX XXXXb

**Table 90.** WDTPRG Register

WDTPRG (0.A7h) – Watchdog Timer Program Register

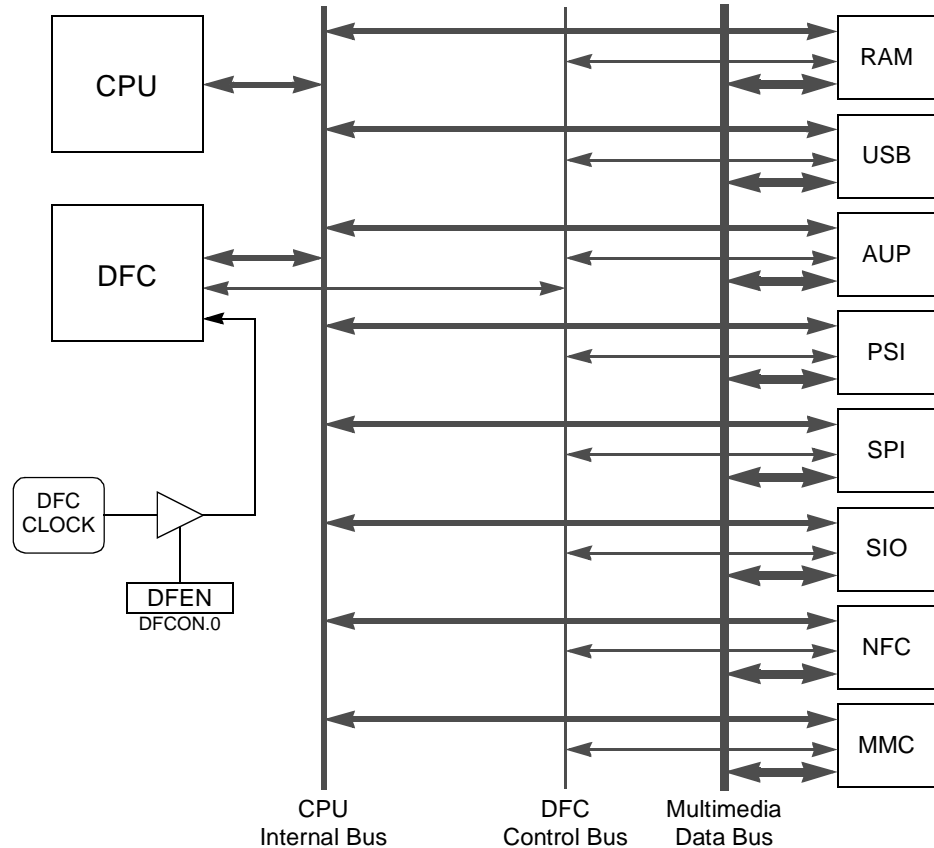
7	6	5	4	3	2	1	0
-	-	-	-	-	WTO2	WTO1	WTO0
Bit Number	Bit Mnemonic	Description					
7-3	-	<b>Reserved</b> The value read from these bits is indeterminate. Do not set these bits.					
2-0	WTO2:0	<b>Watchdog Timer Time-Out Selection Bits</b> Refer to Table 88 for time-out periods.					

Reset Value = XXXX X000b

## Data Flow Controller

The Data Flow Controller (DFC) embedded in the AT85C51SND3Bx is the multimedia data transfer manager. Up to two data transfers can be established through two physical data channels between a source peripheral and a destination peripheral. Figure 45 shows which peripherals are connected to the internal bus which are: the CPU internal bus, the multimedia data bus and the DFC control bus.

**Figure 45.** DFC Internal Architecture



### CPU Interface

The DFC interfaces to the C51 core through the following special function registers: DFCON the DFC control register, DFCSTA the channel status register, DFCCON the channel control register, DFD0 and DFD1, the physical channel 0 and channel 1 data flow descriptor registers and DFCRC the CRC data register.

### Clock Unit

The DFC clock is generated based on the clock generator as detailed in Section “DFC/NFC Clock Generator”, page 30. Depending on the power mode (USB powered or battery powered) and the throughput desired, different clock values may be selected to control the data transfer. The DFC does not receive its system clock until DFEN bit in DFCON is set, i.e. DFC enabled.

### Data Flow Descriptor

As shown in Table 91 the data flow is characterized by a 5-byte data flow descriptor: the DFD composed of 4 fields. The data flow descriptor is written byte by byte to DFD0 (channel 0) or to DFD1 (channel 1). As soon as a DFD has been fully written, the channel is enabled and data flow transfer starts when both source and destination are ready to send and receive data respectively.

Table 92 shows the different peripherals (source or destination) ID number. These numbers are used to program the SID and the DID in the DFD.

**Table 91.** Data Flow Descriptor Content

Byte Number	Byte Mnemonic	Description
0	SID	<b>Source Identifier</b> See Table 92 for peripheral ID number.
1	DID	<b>Destination Identifier</b> See Table 92 for peripheral ID number.
2	DPS	<b>Data Packet Size</b> Decimal value giving the packet size as $2^{DPS}$ . DPS takes value from 0 (1-byte packet size) to 13 (8192-byte packet size). Packet size is limited to 8192 bytes in case of DPS value greater than 13
3	DFSH	<b>Data Flow Size</b> 16-bit wide data leading to data flow size from 1 to $2^{16} - 1$ data packets. Writing 0x0000 to this field enables continuous data flow.
4	DFSL	

**Table 92.** Peripheral ID Number

ID Number	Peripheral
0	C51 RAM
1	USB Controller
2	Audio Controller 1
3	Audio Controller 2
4	PSI Controller
5	SPI Controller
6	SIO Controller
7	Nand Flash Controller
8	MMC/SD Controller
$9 \leq n \leq 14$	Reserved
15	Null Device

## CRC Processor

In order to verify integrity of data transferred through the DFC, a CRC calculation can be enabled using DFCRCEN bit in DFCON. It consists in a 16-bit CRC which is the remainder after transfer data (MSB first) is divided by  $G(X)$ . Polynomial formula is:  $G(X) = X^{16} + X^{15} + X^2 + 1$ .

CRC16 operates on channel 0 only.

After an hardware reset, the CRC value is 0x0000 but can be set to any initial value by writing two bytes<sup>(1)</sup> (MSB first) in the DFCRC register.

At the end of the data flow transfer<sup>(2)</sup>, CRC is available to user by reading two bytes<sup>(1)</sup> (MSB first) from the DFCRC register.

- Notes:
1. This double write or read sequence can be reset by clearing the CRCEN bit.
  2. The CRC value is not reset at start-up of a new data transfer.

## Null Device

The null device is used to allow CRC calculation on some data transfer (see Section “CRC Processor”). When selected as destination, the null device is always ready and simply acknowledges and discards data coming from the source. When

selected as source, the null device is always ready and sends the data (2 bytes) of the initialized CRC value MSB first.

### Channel Priority

The Data Flow Controller bandwidth is shared between Channel 0 and Channel 1. In case both channels are ready to transfer data, bus bandwidth is shared on a byte by byte basis.

In order to allocate maximum bandwidth to a specified channel, priority can be assigned to channel 0 or to channel 1 by setting the DFPRIO1:0 bits in DFCON according to Table 93.

DFPRIO1:0 can be modified at any time while transfer is on-going or not.

**Table 93.** Channel Priority Assignment

DFPRIO1	DFPRIO0	Assignment Description
0	0	No priority assigned: channel 0 & channel 1 have same priority.
0	1	Priority assigned to channel 0.
1	0	Priority assigned to channel 1.
1	1	Reserved, do not set both bits.

### Data Flow Status

An on-going data flow transfer is reported to user using the bits DFBSY0 and DFBSY1 in DFCSTA. These bits are set as soon as the DFD has been fully written to the corresponding channel and cleared at the end of transfer or abort.

Source peripheral and destination peripheral status is dynamically reported by SRDY0, DRDY0, SRDY1, DRDY1 ready flags in DFCSTA.

### Data Flow Abort

The DFC allows asynchronous abort of any on-going flow. Abort is controlled by the DFABT0, DFABT1, the Channel Data Flow Abort control bits in DFCCON and DFABTM the Data Flow Abort Mode control bit in DFCON.

Setting DFABT0 or DFABT1 while a flow transfer is on-going triggers on the corresponding channel an immediate or delayed abort depending on the DFABTM value. DFABTM cleared triggers an immediate abort where data flow transfer is stopped at the end of the on-going byte transfer while DFABTM set triggers a delayed abort where data flow transfer is stopped at the end of the on-going data packet transfer. Above abort modes set the End of Flow interrupt flag of the corresponding channel.

Setting DFABT0 or DFABT1 while a DFD is under writing will reset the DFD content of the corresponding channel. Such abort does not set the End of Flow interrupt flag of the corresponding channel.

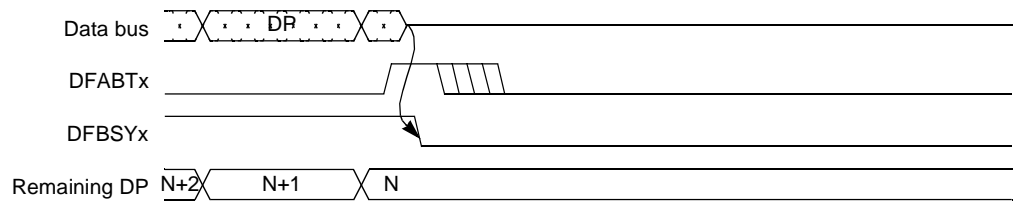
### Abort Status

In case a data flow transfer is aborted, the remaining number of data packets to be transmitted can be retrieved by reading two bytes with MSB first from the data flow descriptor register DFD0 (channel 0) or to DFD1 (channel 1). This feature is of interest in case of logical data flow management over a physical channel.

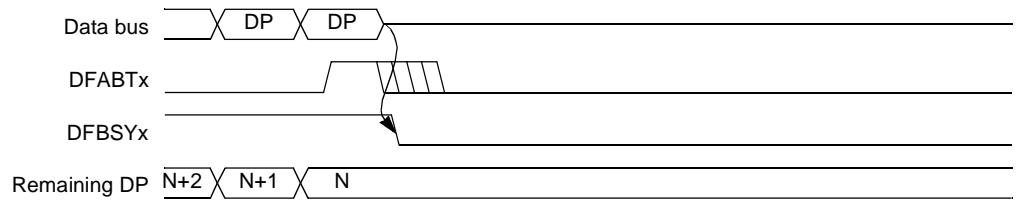
Note: In case of immediate abort, returned value is not significant since part of the DP is already transmitted.



**Figure 46. Immediate Data Flow Abort Diagram**



**Figure 47. Delayed Data Flow Abort Diagram**



## Data Flow Configuration

Prior to any operation, the DFC must be configured in term of clock source and channel priority, then DFC can be enabled.

Each time a data flow must be established, a data flow descriptor must be written to the DFC.

## Interrupts

As shown in Figure 48, the DFC interrupt request is generated by 2 different sources: the EOFI0 flag or EOFI1 flag in DFCSTA. Both sources can be enabled separately by using the EOFE0 and EOFE1 bits in DFCCON. A global enable of the DFC interrupt is provided by setting the EDFC bit in IENx register.

The interrupt is requested each time one of the 2 sources is asserted.

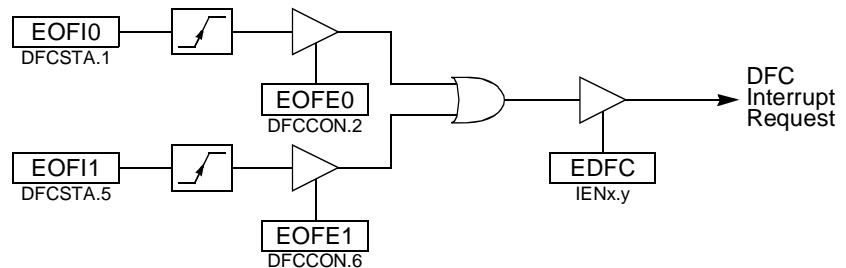
EOFI0 or EOFI1 flags are set:

- at the end of a data flow on respective channel.
- after an immediate abort command at the end of the byte transfer.
- after a delayed abort at the end of the data packet transfer.

Note: An abort command never sets flags while in the process of writing DFD.

EOFI0 and EOFI1 flags must be cleared by software by setting EOFIA0 and EOFIA1 bits in DFCCON, in order to acknowledge the interrupt. Setting these flags by software has no effect.

**Figure 48. DFC Interrupt System**



## Registers

**Table 94.** DFCON Register

DFCON (1.89h) – DFC Control Register

7	6	5	4	3	2	1	0
-	DFRES	-	DFCRCEN	DFPRIO1	DFPRIO0	DFABTM	DFEN
Bit Number	Bit Mnemonic	Description					
5	-	<b>Reserved</b> The value read from this bit is always 0. Do not set this bit.					
6	DFRES	<b>Data Flow Controller Reset Bit</b> Set then clear this bit to reset the Data Flow Controller by software.					
5	-	<b>Reserved</b> The value read from this bit is always 0. Do not set this bit.					
4	DFCRCEN	<b>CRC Enable Bit</b> Set to enable CRC calculation on channel 0. Clear to disable CRC calculation.					
3-2	DFPRIO1:0	<b>Data Flow Channel Priority Assignment Bits</b> Refer to Table 93 for channel priority assignment description.					
1	DFABTM	<b>Data Flow Abort Mode Bit</b> Set to trigger a delayed abort. Clear to trigger an immediate abort.					
0	DFEN	<b>Data Flow Controller Enable Bit</b> Set to enable the Data Flow Controller. Clear to disable the Data Flow Controller.					

Reset Value = 0000 0000b

**Table 95.** DFCSTA Register

DFCSTA (1.88h Bit Addressable) – DFC Channel Status Register

7	6	5	4	3	2	1	0
DRDY1	SRDY1	EOF1	DFBSY1	DRDY0	SRDY0	EOF0	DFBSY0
Bit Number	Bit Mnemonic	Description					
7	DRDY1	<b>Channel 1 Destination Ready Flag</b> Set by hardware when the destination peripheral of channel 1 is ready. Cleared by hardware when the destination peripheral of channel 1 is not ready.					
6	SRDY1	<b>Channel 1 Source Ready Flag</b> Set by hardware when the source peripheral of channel 1 is ready. Cleared by hardware when the source peripheral of channel 1 is not ready.					
5	EOF1	<b>Channel 1 End Of Data Flow Interrupt Flag</b> Set by hardware at the end of a channel 1 data flow transfer. Cleared by software by setting EOFIA1 in DFCCON. Can not be set by software.					
4	DFBSY1	<b>Channel 1 Busy Flag</b> Set by hardware when a transfer is on-going on channel 1. Cleared by hardware when no transfer is on-going on channel 1.					

Bit Number	Bit Mnemonic	Description
3	DRDY0	<b>Channel 0 Destination Ready Flag</b> Set by hardware when the source peripheral of channel 0 is ready. Cleared by hardware when the source peripheral of channel 0 is not ready.
2	SRDY0	<b>Channel 0 Source Ready Flag</b> Set by hardware when the destination peripheral of channel 0 is ready. Cleared by hardware when the destination peripheral of channel 0 is not ready.
1	EOFIO	<b>Channel 0 End Of Data Flow Interrupt Flag</b> Set by hardware at the end of a channel 0 data flow transfer. Cleared by software by setting EOFIA0 in DFCCON. Can not be set by software.
0	DFBSY0	<b>Channel 0 Busy Flag</b> Set by hardware when a transfer is on-going on channel 0. Cleared by hardware when no transfer is on-going on channel 0.

Reset Value = 0000 0000b

**Table 96.** DFCCON Register

DFCCON (1.85h) – DFC Channel Control Register

7	6	5	4	3	2	1	0
DFABT1	EOFE1	EOFIA1	-	DFABT0	EOFE0	EOFIA0	-

Bit Number	Bit Mnemonic	Description
7	DFABT1	<b>Channel 1 Abort Control Bit</b> Set to trigger an abort on channel 1. This bit is cleared by hardware.
6	EOFE1	<b>Channel 1 End Of Data Flow Interrupt Enable Bit</b> Set to enable channel 1 EOF interrupt. Clear to disable channel 1 EOF interrupt.
5	EOFIA1	<b>Channel 1 End Of Flow Interrupt Acknowledge Bit</b> Set to acknowledge the channel 1 EOF interrupt (clear EOFI1 flag). Clearing this bit has no effect. The value read from this bit is always 0.
4	-	<b>Reserved</b> The value read from this bit is always 0. Do not set this bit.
3	DFABT0	<b>Channel 0 Abort Control Bit</b> Set to trigger an abort on channel 0. This bit is cleared by hardware.
2	EOFE0	<b>Channel 0 End Of Data Flow Interrupt Enable Bit</b> Set to enable channel 0 EOF interrupt. Clear to disable channel 0 EOF interrupt.
1	EOFIA0	<b>Channel 0 End Of Flow Interrupt Acknowledge Bit</b> Set to acknowledge the channel 0 EOF interrupt (clear EOFIO flag). Clearing this bit has no effect. The value read from this bit is always 0.
0	-	<b>Reserved</b> The value read from this bit is always 0. Do not set this bit.

Reset Value = 0000 0000b



**Table 97.** DFD0 Register

DFD0 (1.8Ah) – DFC Channel 0 Data Flow Descriptor Register

7	6	5	4	3	2	1	0
DFD0D7	DFD0D6	DFD0D5	DFD0D4	DFD0D3	DFD0D2	DFD0D1	DFD0D0
Bit Number	Bit Mnemonic	Description					
7-0	DFD0D7:0	<b>Channel 0 Data Flow Descriptor Data</b> Write data flow descriptor to this register as detailed in Table 91. Read to get the remaining number of data packet after a delayed abort. MSB is read first.					

Reset Value = 0000 0000b

**Table 98.** DFD1 Register

DFD1 (1.8Bh) – DFC Channel 1 Data Flow Descriptor Register

7	6	5	4	3	2	1	0
DFD1D7	DFD1D6	DFD1D5	DFD1D4	DFD1D3	DFD1D2	DFD1D1	DFD1D0
Bit Number	Bit Mnemonic	Description					
7-0	DFD1D7:0	<b>Channel 1 Data Flow Descriptor Data</b> Write data flow descriptor to this register as detailed in Table 91. Read to get the remaining number of data packet after a delayed abort. MSB is read first.					

Reset Value = 0000 0000b

**Table 99.** DFCRC Register

DFCRC (1.8Ch) – DFC CRC Data Register

7	6	5	4	3	2	1	0
CRCD7	CRCD6	CRCD5	CRCD4	CRCD3	CRCD2	CRCD1	CRCD0
Bit Number	Bit Mnemonic	Description					
7-0	CRCD7:0	<b>CRC 2-byte Data FIFO</b> First reading of DFCRC returns the MSB of the CRC16 data while second reading returns the LSB. First writing to DFCRC writes the MSB of the initial value of the CRC16 data while second writing writes the LSB.					

Reset Value = 0000 0000b

## USB Controller

The AT85C51SND3Bx Implements a USB controller allowing the AT85C51SND3Bx to act as a USB device or a USB host.

The main features of the USB controller:

- Full-speed and high-speed device.
- Full-speed host with OTG compliance.
- Automatic Data Flow Controller (DFC) transfer without CPU support.
- 2368 bytes of DPRAM.
- Up to 7 endpoints/pipes
  - 1 endpoint of 64 bytes (default control),
  - 2 endpoints of 512 bytes max, (one or two banks),
  - 4 endpoints of 64 bytes max, (one or two banks).

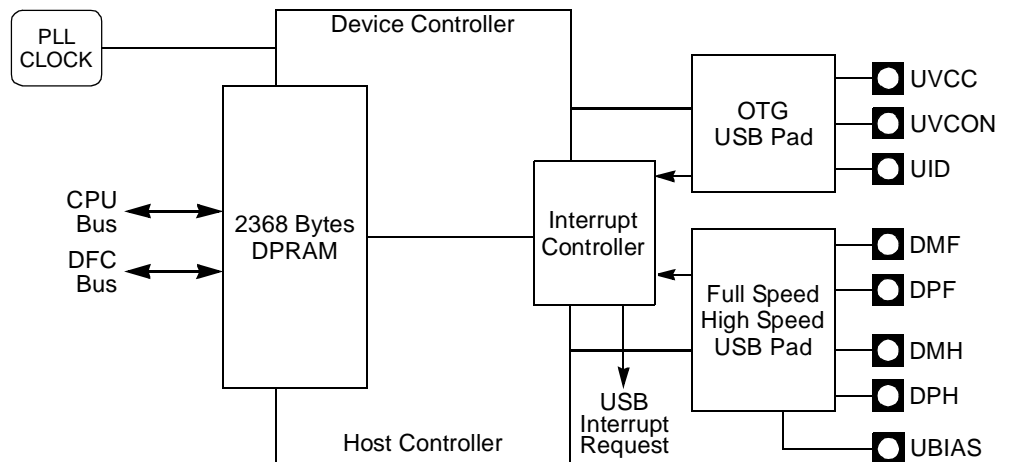
## Description

The C51 core interfaces with the USB Controller using a set of special function registers detailed in Table 49, page 39.

As shown in Figure 49, the USB controller is based on seven functional blocks:

- the PLL clock (see Section “Clock Generator”, page 28) which delivers 480 MHz clock for USB high-speed mode support.
- the USB HS/FS pad supporting speed negotiation, attach/detach and data transfer
- the USB OTG pad supporting OTG negotiation
- the device controller allowing AT85C51SND3B to act as a device
- the host controller allowing AT85C51SND3B to act as a device
- the 2368-byte dual port RAM for endpoints and pipes memory
- the interrupt controller

**Figure 49.** USB Controller Block Diagram

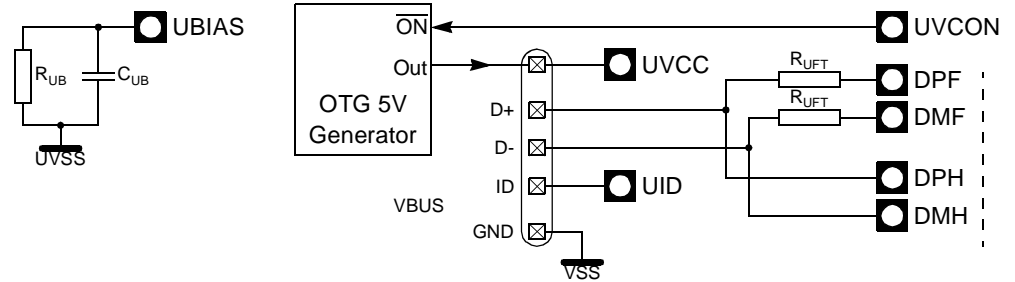


## USB Connection

Figure 50 shows the connection of the AT85C51SND3B to the USB connector and the connection of the RC filter to the UBIAS pin. DPF and DMF pins are connected through 2 termination resistors.

Value of all discrete components is detailed in the Section “DC Characteristics”, page 241.

**Figure 50. USB Connection**



## General Operating Modes

### Introduction

After a hardware reset, the USB controller is disabled.

When enabled, the USB controller has to run the Device Controller or the Host Controller. This is performed using the ID detection.

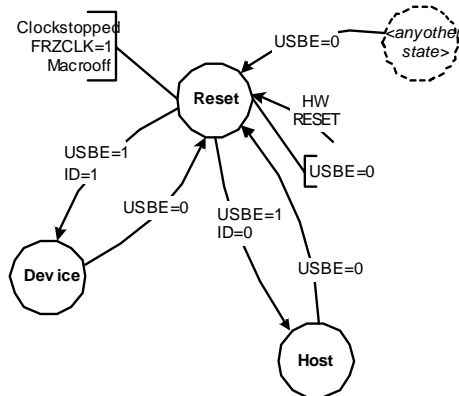
- If the ID pin is not connected to ground, the ID bit is set by hardware (internal pull up on the UID pad) and the USB Device controller is selected.
- The ID bit is cleared by hardware when a low level has been detected on the ID pin. The Device controller is then disabled and the Host controller enabled.

The software anyway has to select the mode (Host, Device) in order to access to the Device controller registers or to the Host controller registers, which are multiplexed. For example, even if the USB controller has detected a Device mode (pin ID high), the software shall select the device mode (bit HOST cleared), otherwise it will access to the host registers. This is also true for the Host mode.

### Power-On and Reset

Figure 51 shows the USB controller main states after power-on.

**Figure 51. USB Controller Reset State Machine**



USB Controller state after an hardware reset is 'Reset'. In this state:

- $USB_E$  is not set,
- the macro clock is stopped in order to minimize the power consumption ( $FRZCLK=1$ ),
- the macro is disabled,
- the pad is in the suspend mode,
- the Host and Device USB controllers internal states are reset.

- The DPACC bit and the DPADD10:0 field can be set by software. The DPRAM is not cleared.
- The SPDCONF bits can be set by software.

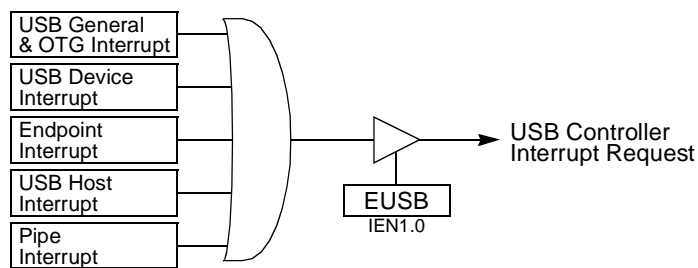
After setting USBE, the USB Controller enters in the Host or in the Device state (according to the UID pin level). The selected controller is 'Idle'.

The USB Controller can at any time be 'stopped' by clearing USBE. In fact, clearing USBE acts as an hardware reset.

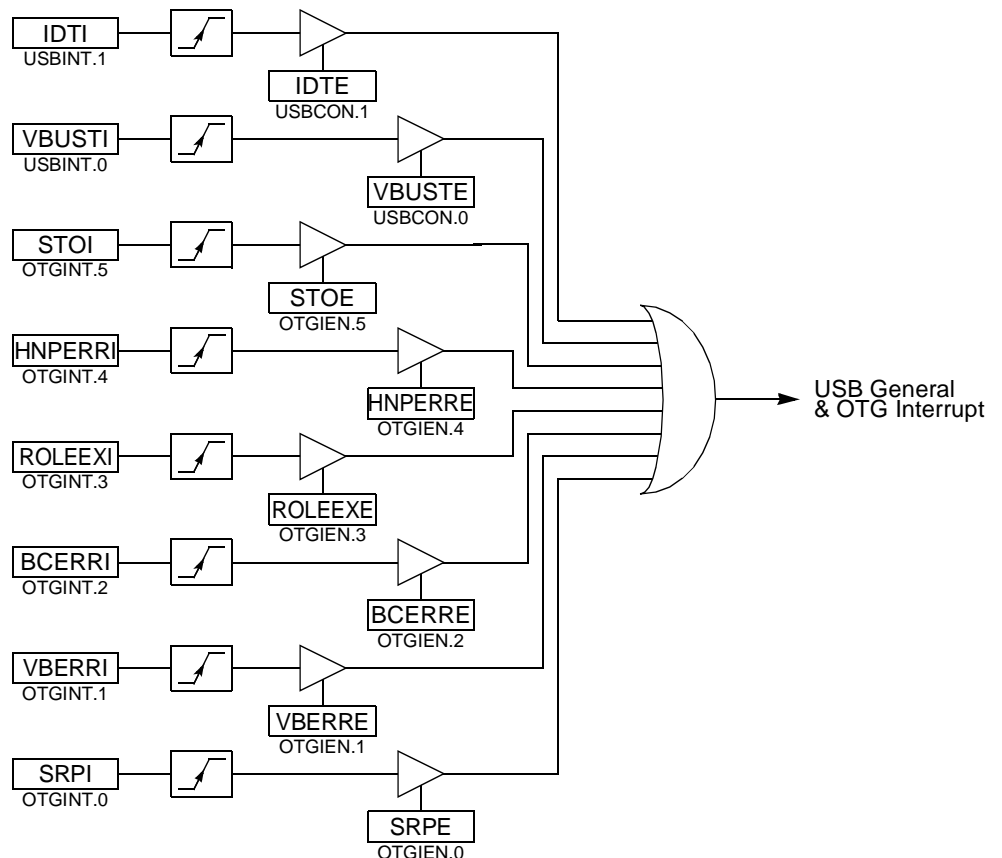
## Interrupts

As shown in Figure 52, the USB controller implements five main global interrupt sources: the USB general and OTG interrupts detailed in Figure 53, the USB device and endpoint interrupts detailed in Section "Interrupts", page 113, and the USB host and pipe interrupts detailed in Section "Interrupt", page 134.

**Figure 52.** USB Interrupt System



**Figure 53.** USB General and OTG Interrupt System



There are 2 kinds of interrupts: processing (i.e. their generation are part of the normal processing) and exception (errors).

Processing interrupts are generated when the following events are triggered:

- IDTI: ID Pad detection (insert, remove)
- VBUSTI: VBUS plug-in detection (insert, remove)
- SRPI: SRP detected
- ROLEEXI: Role Exchanged

Exception Interrupts are generated when the following events are triggered:

- VBERRI: Drop on VBUS Detected
- BCERRI: Error during the B-Connection
- HNPERRI: HNP Error
- STOI: Time-out detected during Suspend mode

## Power modes

### Idle Mode

In this mode, the CPU core is halted (CPU clock stopped). The Idle mode is taken regardless of the USB controller state (running or not). The CPU wakes up on any USB interrupts.

### Power Down

In this mode, the oscillator and PLL are stopped and the CPU and peripherals are frozen. The CPU “wakes up” when:

- the WAKEUPI interrupt is triggered in the Peripheral mode (HOST cleared),
- the RXRSMI or the SRPI interrupt is triggered in the Host mode (HOST set).
- the IDTI interrupt is triggered
- the VBUSTI interrupt is triggered

### Freeze Clock

The firmware has the ability to reduce the power consumption by setting the FRZCLK bit, which freezes the clock of USB controller. When FRZCLK is set, it is still possible to have an access to the following registers:

- USBCON, USBSTA, USBINT
- DPRAM direct access (DPADD10:0, UxDATX)
- UDCON (detach, ...)
- UDINT
- UDIEN
- UHCON
- UHINT
- UHIEN

Moreover, when FRZCLK is set, only the following interrupts may be triggered:

- WAKEUPI
- IDTI
- VBUSTI



## Speed Control

### Device Mode

When the USB interface is configured in device mode, the speed selection (Full Speed or High Speed) is performed automatically by the USB controller during the USB Reset. At the end of the USB reset, the USB controller automatically enables or disables high-speed terminations and pull-up.

Note: It is possible to force the speed of the protocol, through the SPDCONF1:0 bits. For normal operations, SPDCONF1:0 must be cleared. For all other operations (e.g. running in Full-Speed only), SPDCONF1:0 shall be written before enabling the controller (USBEN set), in order to avoid any side effects. The following table summarizes all the possible configurations:

**Table 100.** Speed configuration

Mode	SPDCONF1:0	Description
Peripheral	00	<b>Normal Mode (default)</b> Use High-Speed pad in Full-Speed or High-Speed.
	01	<b>Full-Speed only mode (Full-Speed pad)</b> Shall be done before setting USBEN.
	10	<b>High-Speed only mode (High-Speed pad)</b> Shall be used in debug mode.
	11	<b>Full-Speed only mode (High-Speed pad)</b>
Host	XX	<b>Use Full-Speed pad</b>

Clearing USBEN resets SPDCONF1:0.

### Host Mode

When the USB interface is configured in host mode, internal pull down resistors are activated on both DMF and DPF lines.

### Memory Access Capability

The CPU has the capability to directly access to the USB internal memory (DPRAM). The memory access mode is performed using UDPADDH and UDPADDL registers.

To enter in this mode:

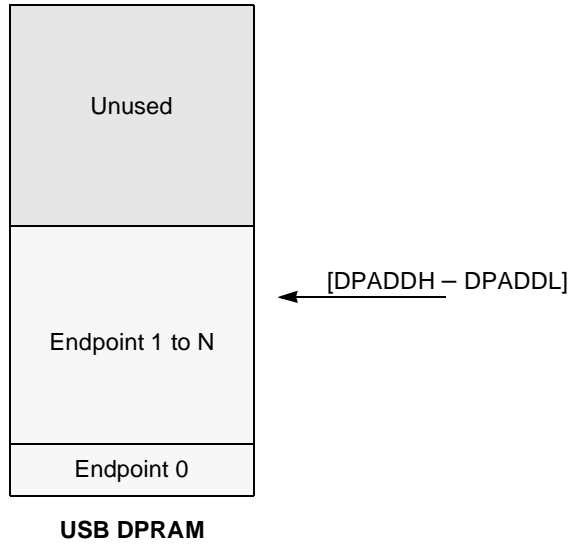
- USBEN bit must be cleared.
- DPACC bit and the base address DPADD10:0 must be set.

The DPACC bit and DPADD10:0 field can be used by the firmware even if the USBEN bit is cleared.

Then, a read or a write in UEDATX (device mode) or in UPDATX (host mode) is performed according to DPADD10:0 and the base address DPADD10:0 field is automatically increased. The endpoint FIFO pointers and the value of the UxNUM registers are discarded in this mode.

The aim of this functionality is to use the DPRAM as extra-memory.

When using this mode, there is no influence over the USB controller.



## Memory Management

The controller only supports the following memory allocation management:

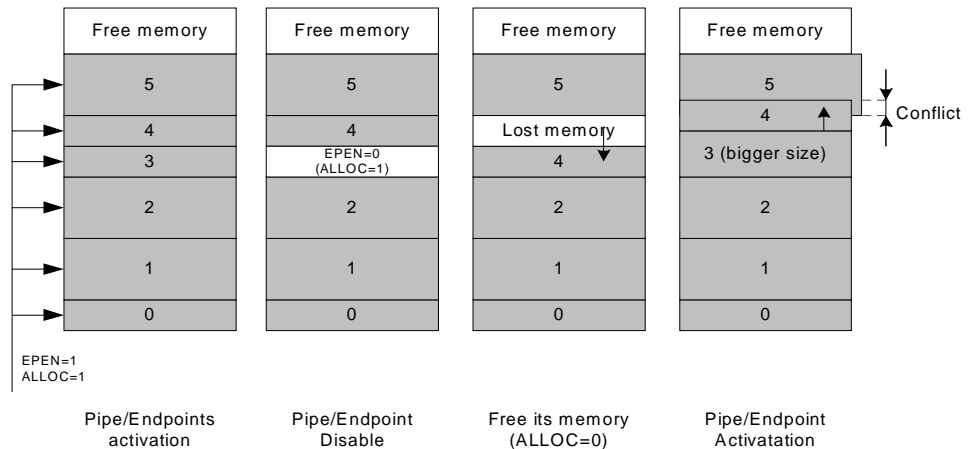
The reservation of a Pipe or an Endpoint can only be made in the growing order (Pipe/Endpoint 0 to the last Pipe/Endpoint). The firmware shall thus configure them in the same order.

The reservation of a Pipe or an Endpoint “ $k^i$ ” is done when its ALLOC bit is set. Then, the hardware allocates the memory and insert it between the Pipe/Endpoints “ $k^{i-1}$ ” and “ $k^{i+1}$ ”. The “ $k^{i+1}$ ” Pipe/Endpoint memory “slides” up and its data is lost. Note that the “ $k^{i+2}$ ” and upper Pipe/Endpoint memory does not slide.

Clearing a Pipe enable (PEN) or an Endpoint enable (EPEN) does not clear neither its ALLOC bit, nor its configuration (EPSIZE/PSIZE, EPBK/PBK). To free its memory, the firmware should clear ALLOC. Then, the “ $k^{i+1}$ ” Pipe/Endpoint memory automatically “slides” down. Note that the “ $k^{i+2}$ ” and upper Pipe/Endpoint memory does not slide.

The following figure illustrates the allocation and reorganization of the USB memory in a typical example:

**Figure 54.** Allocation and reorganization USB memory flow



- First, Pipe/Endpoint 0 to Pipe/Endpoint 5 are configured, in the growing order. The memory of each is reserved in the DPRAM.
- Then, the Pipe/Endpoint 3 is disabled (EPEN=0), but its memory reservation is internally kept by the controller.
- Its ALLOC bit is cleared: the Pipe/Endpoint 4 “slides” down, but the Pipe/Endpoint 5 does not “slide”.
- Finally, if the firmware chooses to reconfigure the Pipe/Endpoint 3, with a bigger size. The controller reserved the memory after the endpoint 2 memory and automatically “slide” the Pipe/Endpoint 4. The Pipe/Endpoint 5 does not move and a memory conflict appear, in that both Pipe/Endpoint 4 and 5 use a common area. The data of those endpoints are potentially lost.

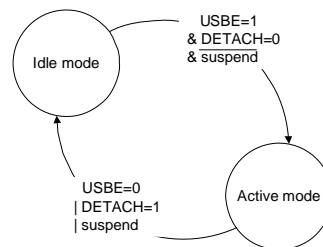
- Notes:
1. the data of Pipe/Endpoint 0 are never lost whatever the activation or deactivation of the higher Pipe/Endpoint. Its data is lost if it is deactivated.
  2. Deactivate and reactivate the same Pipe/Endpoint with the same parameters does not lead to a “slide” of the higher endpoints. For those endpoints, the data are preserved.
  3. CFGOK is set by hardware even in the case that there is a “conflict” in the memory allocation.

## PAD suspend

Figure 55 and Figure 56 illustrate the pad behaviour:

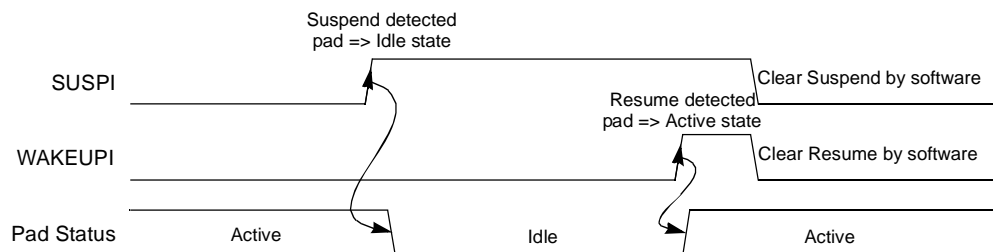
- In the “idle” mode, the pad is put in low power consumption mode.
- In the “active” mode, the pad is working.

**Figure 55.** Pad Behaviour State Machine



The SUSPI flag indicates that a suspend state has been detected on the USB bus. This flag automatically puts the USB pad in Idle state. The detection of a non-idle event sets the WAKEUPI flag and wakes-up the USB pad.

**Figure 56.** Pad Behavior Waveforms



Moreover, the pad can also be put in the “idle” mode if the DETACH bit is set. It come back in the active mode when the DETACH bit is cleared.

## OTG Timers Customizing

It is possible to refine some OTG timers thanks to the OTGTCON register (see Table 108). This register is multiplexed with the OTGCON register. The timers are as defined in the OTG specification:

- AWaitVrise time-out. [OTG] chapter 6.6.5.1
- VbBusPulsing. [OTG] chapter 5.3.4
- PdTmOutCnt. [OTG] chapter 5.3.2
- SRPDetTmOut. [OTG] chapter 5.3.3

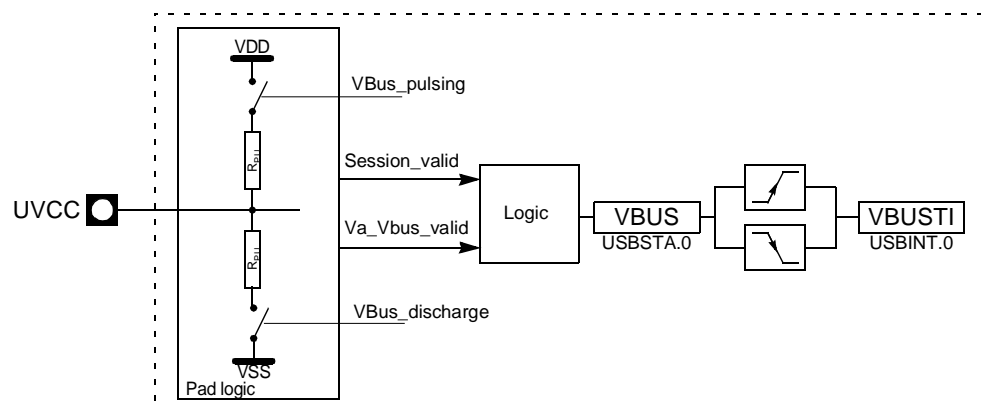
**Table 101.** OTG Timer Configuration

PAGE1:0	VALUE2:0	Timing Parameter
00	00	AWaitVrise time-out = 20 ms.
	01	AWaitVrise time-out = 50 ms.
	10	AWaitVrise time-out = 70 ms.
	11	AWaitVrise time-out = 100 ms.
01	00	VbBusPulsing = 15 ms.
	01	VbBusPulsing = 23 ms.
	10	VbBusPulsing = 31 ms.
	11	VbBusPulsing = 40 ms.
10	00	PdTmOutCnt = 96 ms.
	01	PdTmOutCnt = 105 ms.
	10	PdTmOutCnt = 118 ms.
	11	PdTmOutCnt = 131 ms.
11	00	SRPDetTmOut = 10 $\mu$ s.
	01	SRPDetTmOut = 100 $\mu$ s.
	10	SRPDetTmOut = 1 ms.
	11	SRPDetTmOut = 11 ms.

## Plug-in detection

The USB connection is detected by the VBUS pad, thanks to the following architecture:

**Figure 57.** Plug-in Detection Input Block Diagram



The control logic of the UVCC pad outputs 2 signals:

- The “session\_valid” signal is active high when the voltage on the UVCC pin is higher or equal to 1.4V.
- The “Va\_Vbus\_valid” signal is active high when the voltage on the UVCC pin is higher or equal to 4.4V.

In the Host mode, the VBUS flag follows the next hysteresis rule:

- VBUS is set when the voltage on the UVCC pin is higher or equal to 4.4 V.
- VBUS is cleared when the voltage on the UVCC pin is lower than 1.4 V.

In the Peripheral mode, the VBUS flag follows the next rule:

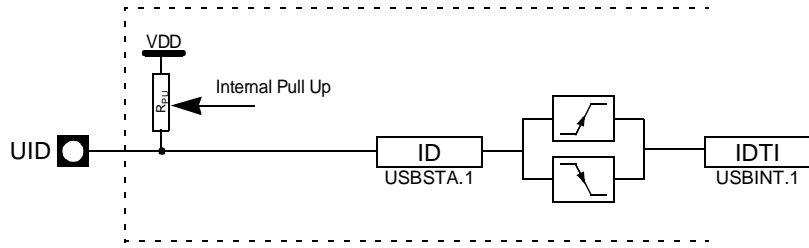
- VBUS is set when the voltage on the UVCC pin is higher or equal to 1.4 V.
- VBUS is cleared when the voltage on the UVCC pin is lower than 1.4 V.

The VBUSTI interrupt is triggered at each transition of the VBUS flag.

## ID Detection

The ID pin transition is detected thanks to the following architecture:

**Figure 58.** ID Detection Input Block Diagram



By default, (no A-plug or B-plug), the macro is in the Peripheral mode (internal pull-up). The IDTI interrupt is triggered when a A-plug (Host) is plugged or unplugged. The interrupt is not triggered when a B-plug (Peripheral) is plugged or unplugged.

The IDTI interrupt may be triggered even if the USB controller is disabled.

## Registers

### USB general registers

**Table 102.** USBCON Register

USBCON (1.E1h) – USB General Control Register

7	6	5	4	3	2	1	0
USBE	HOST	FRZCLK	OTGPADE	-	-	IDTE	VBUSTE
Bit Number	Bit Mnemonic	Description					
7	USBE	<b>USB Controller Enable Bit</b> Set to enable the USB controller. Clear to disable and reset the USB controller, to disable the USB transceiver and to disable the USB controller clock inputs.					
6	HOST	<b>HOST Bit</b> Set to access to the Host registers. Clear to access to the Device registers.					
5	FRZCLK	<b>Freeze USB Clock Bit</b> Set to disable the clock inputs (the “Resume Detection” is still active) and save power consumption. Clear to enable the clock inputs.					
4	OTGPADE	<b>OTG Pad Enable</b> Set to enable the OTG pad. Clear to disable the OTG pad. Note that this bit can be set/cleared even if USBE= 0 (this allows the VBUS detection even if the USB macro is disable).					
3-2	-	<b>Reserved</b> The value read from these bits is always 0. Do not set these bits.					
1	IDTE	<b>ID Transition Interrupt Enable Bit</b> Set this bit to enable the ID Transition interrupt generation. Clear this bit to disable the ID Transition interrupt generation.					

Bit Number	Bit Mnemonic	Description
0	VBUSTE	<b>VBUS Transition Interrupt Enable Bit</b> Set this bit to enable the VBUS Transition interrupt generation. Clear this bit to disable the VBUS Transition interrupt generation.

Reset Value = 0010 0000b

**Table 103.** USBSTA Register

USBSTA (1.E2h) – USB General Status Register

7	6	5	4	3	2	1	0
-	-	-	-	-	SPEED	ID	VBUS

Bit Number	Bit Mnemonic	Description
7-3	-	<b>Reserved</b> The value read from these bits is always 0. Do not set these bits.
2	SPEED	<b>Speed Status Flag</b> Set by hardware when the controller is in HIGH-SPEED mode. Cleared by hardware when the controller is in FULL-SPEED mode.
1	ID	<b>IUD Pin Flag</b> Set / cleared by hardware and reflects the state of the UID pin.
0	VBUS	<b>VBus Flag</b> Set / cleared by hardware and reflects the level of the UVCC pin. See Section “Plug-in detection” for more details.

Reset Value = 0000 0000b

**Table 104.** USBINT Register

USBINT (1.E3h) – USB Global Interrupt Register

7	6	5	4	3	2	1	0
-	-	-	-	-	-	IDTI	VBUSTI

Bit Number	Bit Mnemonic	Description
7-2	-	<b>Reserved</b> The value read from these bits is always 0. Do not set these bits.
1	IDTI	<b>ID Transition Interrupt Flag</b> Set by hardware when a transition (high to low, low to high) has been detected on the UID pin. Shall be cleared by software.
0	VBUSTI	<b>VBUS Transition Interrupt Flag</b> Set by hardware when a transition (high to low, low to high) has been detected on the UVCC pin. Shall be cleared by software.

Reset Value = 0000 0000b



**Table 105.** UDPADDH Register

UDPADDH (1.E4h) – USB Dual Port Ram Direct Access High Register

7	6	5	4	3	2	1	0
DPACC	-	-	-	-	DPADD10:8		

Bit Number	Bit Mnemonic	Description
7	DPACC	<b>DPRAM Direct Access Bit</b> Set this bit to directly read the content the Dual-Port RAM (DPR) data through the UEDATX or UPDATX registers. See Section “Memory Access Capability” for more details. Clear this bit for normal operation and access the DPR through the endpoint FIFO.
6-3	-	<b>Reserved</b> The value read from these bits is always 0. Do not set these bits.
2-0	DPADD10:8	<b>DPRAM Address High Bit</b> DPADD10:8 is the most significant part of DPADD. The least significant part is provided by the UDPADDL register.

Reset Value = 0000 0000b

**Table 106.** UDPADDL Register

UDPADDL (1.E5h) – USB Dual Port Ram Direct Access High Register

7	6	5	4	3	2	1	0
DPADD7:0							

Bit Number	Bit Mnemonic	Description
7-0	DPADD7:0	<b>DPRAM Address Low Bit</b> DPADD7:0 is the least significant part of DPADD. The most significant part is provided by the UDPADDH register.

Reset Value = 0000 0000b

**Table 107.** OTGCON Register

OTGCON (1.E6h) – USB OTG Control Register

7	6	5	4	3	2	1	0
0	-	HNPREQ	SRPREQ	SRPSEL	VBUSHWC	VBUSREQ	VBUSRQC

Bit Number	Bit Mnemonic	Description
7	0	<b>OTGCON pagination</b> This bit must be cleared to access the OTGCON register.
6	-	<b>Reserved</b> The value read from these bits is always 0. Do not set these bits.



Bit Number	Bit Mnemonic	Description
5	HNPREQ	<b>HNP Request Bit</b> Set to initiate the HNP when the controller is in the Device mode (B). Set to accept the HNP when the controller is in the Host mode (A). Cleared by hardware after the HNP completion.
4	SRPREQ	<b>SRP Request Bit</b> Set to initiate the SRP when the controller is in Device mode. Cleared by hardware when the controller is initiating a SRP.
3	SRPSEL	<b>SRP Selection Bit</b> Set to choose VBUS pulsing as SRP method. Clear to choose data line pulsing as SRP method.
2	VBUSHWC	<b>VBus Hardware Control Bit</b> Set to disable the hardware control over the UVCON pin. Clear to enable the hardware control over the UVCON pin.
1	VBUSREQ	<b>VBUS Request Bit</b> Set to assert the UVCON pin in order to enable the VBUS power supply generation. This bit shall be used when the controller is in the Host mode. Cleared by hardware when VBUSRQC is set.
0	VBUSRQC	<b>VBUS Request Clear Bit</b> Set to deassert the UVCON pin in order to enable the VBUS power supply generation. This bit shall be used when the controller is in the Host mode. Cleared by hardware immediately after the set.

Reset Value = 0000 0000b

**Table 108.** OTGTCON Register

OTGTCON (1.E6h) – USB OTG Timer Control Register

7	6	5	4	3	2	1	0
1	PAGE1:0	-	-	VALUE2:0			
Bit Number	Bit Mnemonic	Description					
7	1	<b>OTGTCON Pagination</b> This bit must be set to access the OTGTCON register.					
6-5	PAGE1:0	<b>Timer Page Access Bit</b> Set/clear to access a special timer register. See Section “OTG Timers Customizing” for more details.					
4-3	-	<b>Reserved</b> The value read from these bits is always 0. Do not set these bits.					
2-0	VALUE2:0	<b>Value Bit</b> Set to initialize the new value of the timer. See Section “OTG Timers Customizing” for more details.					

Reset Value = 0000 0000b



**Table 109.** OTGIEN Register

OTGIEN (1.E7h) – USB OTG Interrupt Enable Register

7	6	5	4	3	2	1	0
-	-	STOE	HNPERRR	ROLEEXE	BCERRE	VBERRE	SRPE
Bit Number	Bit Mnemonic	Description					
7-6	-	<b>Reserved</b> The value read from these bits is always 0. Do not set these bits.					
5	STOE	<b>Suspend Time-out Error Interrupt Enable Bit</b> Set to enable the STOI interrupt. Clear to disable the STOI interrupt.					
4	HNPERRR	<b>HNP Error Interrupt Enable Bit</b> Set to enable the HNPERRI interrupt. Clear to disable the HNPERRI interrupt.					
3	ROLEEXE	<b>Role Exchange Interrupt Enable Bit</b> Set to enable the ROLEEXI interrupt. Clear to disable the ROLEEXI interrupt.					
2	BCERRE	<b>B-Connection Error Interrupt Enable Bit</b> Set to enable the BCERRI interrupt. Clear to disable the BCERRI interrupt.					
1	VBERRE	<b>VBus Error Interrupt Enable Bit</b> Set to enable the VBERRI interrupt. Clear to disable the VBERRI interrupt.					
0	SRPE	<b>SRP Interrupt Enable Bit</b> Set to enable the SRPI interrupt. Clear to disable the SRPI interrupt.					

Reset Value = 0000 0000b

**Table 110.** OTGINT Register

OTGINT (1.D1h) – USB Global Interrupt Register

7	6	5	4	3	2	1	0
-	-	STOI	HNPERRI	ROLEEXI	BCERRI	VBERRI	SRPI
Bit Number	Bit Mnemonic	Description					
7-6	-	<b>Reserved</b> The value read from these bits is always 0. Do not set these bits.					
5	STOI	<b>Suspend Time-out Error Interrupt Flag</b> Set by hardware when a time-out error (more than 150 ms) has been detected after a suspend. Shall be cleared by software. See for more details.					
4	HNPERRI	<b>HNP Error Interrupt Flag</b> Set by hardware when an error has been detected during the protocol. Shall be cleared by software. See for more details.					

Bit Number	Bit Mnemonic	Description
3	ROLEEXI	<b>Role Exchange Interrupt Flag</b> Set by hardware when the USB controller has successfully swapped its mode, due to an HNP negotiation: Host to Device or Device to Host. Shall be cleared by software. See for more details.
2	BCERRI	<b>B-Connection Error Interrupt Flag</b> Set by hardware when an error occur during the B-Connection. Shall be cleared by software.
1	VBERRI	<b>V-Bus Error Interrupt Flag</b> Set by hardware when a drop on VBus has been detected. Shall be cleared by software.
0	SRPI	<b>SRP Interrupt Flag</b> Set by hardware when a SRP has been detected. Shall be used in the Host mode only. Shall be cleared by software.

Reset Value = 0000 0000b

## USB Software Operating modes

Depending on the USB operating mode, the software should perform some of the following operations:

### Power On the USB interface

- Power-On USB pads regulator
- Wait USB pads regulator ready state
- Configure PLL interface
- Enable PLL
- Check PLL lock
- Enable USB interface
- Configure USB interface (USB speed, Endpoints configuration...)
- Wait for USB VBUS information connection
- Attach USB device

### Power Off the USB interface

- Detach USB interface
- Disable USB interface
- Disable PLL
- Disable USB pin regulator

### Suspending the USB interface

- Clear Suspend Bit
- Set USB suspend clock
- Disable PLL
- Be sure to have interrupts enable to exit sleep mode
- Make the MCU enter sleep mode

### Resuming the USB interface

- Enable PLL
- Wait PLL lock
- Clear USB suspend clock
- Clear Resume information

## USB Device Operating modes

### Introduction

The USB device controller supports high speed and full speed data transfers. In addition to the default control endpoint, it provides six other endpoints, which can be configured in control, bulk, interrupt or isochronous modes:

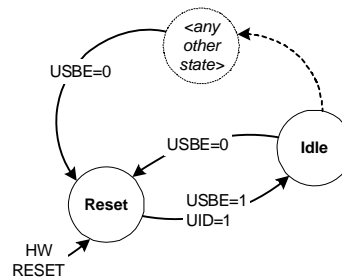
- Endpoint 0:  
programmable size FIFO up to 64 bytes, default control endpoint.
- Endpoints 1 and 2:  
programmable size FIFO up to 512 bytes in ping-pong mode.
- Endpoints 3 to 6:  
programmable size FIFO up to 64 bytes in ping-pong mode.

The controller starts in the “idle” mode. In this mode, the pad consumption is reduced to the minimum.

### Power-On and Reset

Figure 59 shows the USB device controller main states after power-on.

**Figure 59.** USB Device Controller Reset State Machine



The reset state of the Device controller is:

- the macro clock is stopped in order to minimize the power consumption (FRZCLK set)
- the USB device controller internal state is reset (all the registers are reset to their default value. Note that DETACH is set.)
- the endpoint banks are reset
- the D+ or D- pull up are not activated (mode Detach)

The D+ or D- pull-up will be activated as soon as the DETACH bit is cleared and VBUS is present.

The macro is in the ‘Idle’ state after reset with a minimum power consumption and does not need to have the PLL activated to enter in this state.

The USB device controller can at any time be reset by clearing USBE.

### Speed Identification

The high-speed reset is managed by the hardware. At the connection, the host makes a reset that can be:

- a classic reset (Full-speed) or
- a High-speed reset (High-speed).

At the end of the reset process (Full or High), the end of reset interrupt (EORSTI) is generated. Then the CPU should read the SPEED bit to know the speed mode of the device.

Note that the USB device controller starts in the Full-speed mode after power on.

## Endpoint Reset

An endpoint can be reset at any time by setting in the UERST register the bit corresponding to the endpoint (EPRST<sub>x</sub>). This resets:

- the internal state machine on that endpoint,
- the Rx and Tx banks are cleared and their internal pointers are restored,
- the UEINTX, UESTA0X and UESTA1X are restored to their reset value.

The data toggle field remains unchanged.

The other registers remain unchanged.

The endpoint configuration remains active and the endpoint is still enabled.

The endpoint reset may be associated with a clear of the data toggle command (RSTDT bit) as an answer to the CLEAR\_FEATURE USB command.

## USB Reset

When an USB reset is detected on the USB line, the next operations are performed by the controller:

- all the endpoints are disabled, except the default control endpoint,
- the default control endpoint is reset (see Section “Endpoint Reset” for more details).
- The data toggle of the default control endpoint is cleared.

## Endpoint Selection

Prior to any operation performed by the CPU, the endpoint must first be selected. This is done by:

- Clearing EPNUMS.
- Setting EPNUM with the endpoint number which will be managed by the CPU.

The CPU can then access to the various endpoint registers and data.

In the same manner, if the endpoint must be accessed by the DFC, it must first be selected. This is done by:

- Setting EPNUMS.
- Setting EPNUM with the endpoint number which will be managed by the DFC.
- Setting DFCDY when the data-flow is ready to take place.

The DFC can then access to the banks (read / write).

The controller internally keeps in memory the EPNUM for the CPU and the EPNUM for the DFC. In fact, there are 2 EPNUM registers multiplexed by the EPNUMS bit. Each of them can be read or written by the CPU.

These two registers permits to easily switch from an endpoint under DFC data transfer to the default control endpoint when a SETUP is received, without reprogramming the EPNUM register:

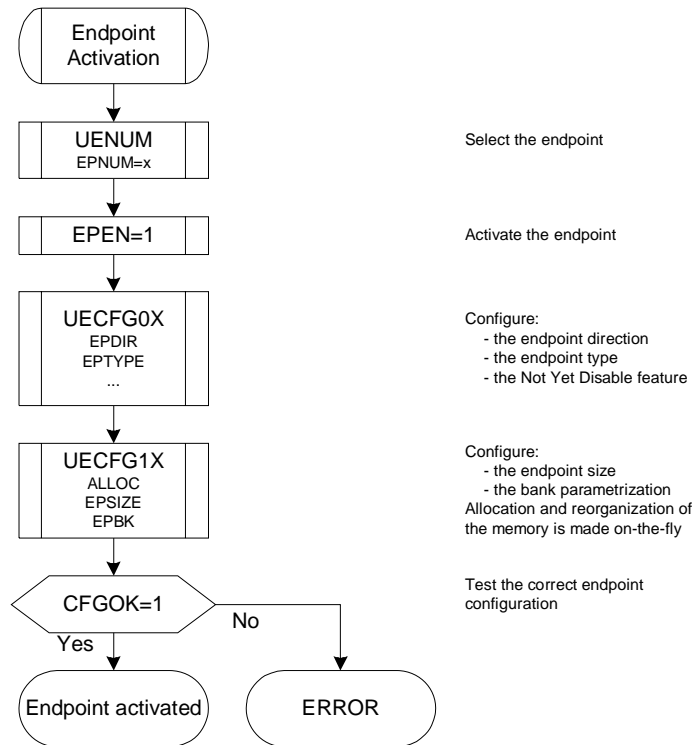
- Set EPNUMS,
- EPNUM = endpoint<sub>x</sub>
- Set DFCDY when the DFC transfer is ready to take place,
- ...<DFC transfer>...
- SETUP received on endpoint<sub>0</sub> (EPINT0 set, RXSTPI set),

- Clear DFCDY to freeze the DFC transfer,
- If the CPU EPNUM has to be changed: EPNUMS cleared, EPNUM = endpoint<sub>0</sub>
- Read endpoint<sub>0</sub> data (UEDATX)
- Set DFCDY. This resumes the DFC transfer.

**Endpoint Activation**

The endpoint is maintained under reset as long as the EPEN bit is not set. The following flow must be respected in order to activate an endpoint:

**Figure 60.** Endpoint activation flow:



As long as the endpoint is not correctly configured (CFGOK cleared), the hardware does not acknowledge the packets sent by the host.

CFGOK is will not be sent if the Endpoint size parameter is bigger than the DPRAM size.

A clear of EPEN acts as an endpoint reset (see Section “Endpoint Reset” for more details). It also performs the next operation:

- The configuration of the endpoint is kept (EPSIZE, EPBK, ALLOC kept)
- It resets the data toggle field.
- The DPRAM memory associated to the endpoint is still reserved.

See Section “Memory Management”, page 90 for more details about the memory allocation/reorganization.

**Address Setup**

The USB device address is set up according to the USB protocol:

- the USB device, after power-up, responds at address 0

- the host sends a **SETUP** command (SET\_ADDRESS(addr)),
- the firmware records that address in UADD, but keep ADDEN cleared,
- the USB device sends an **IN** command of 0 bytes (IN 0 Zero Length Packet),
- then, the firmware can enable the USB device address by setting ADDEN. The only accepted address by the controller is the one stored in UADD.

ADDEN and UADD shall not be written at the same time.

UADD contains the default address 00h after a power-up or USB reset.

ADDEN is cleared by hardware:

- after a power-up reset,
- when an USB reset is received,
- or when the macro is disabled (USBE cleared)

When this bit is cleared, the default device address 00h is used.

## Suspend, Wake-Up and Resume

After a period of 3 ms during which the USB line was inactive, the controller switches to the full-speed mode and triggers (if enabled) the SUSPI (suspend) interrupt. The firmware may then set the FRZCLK bit.

The CPU can also, depending on software architecture, enter in the idle mode to lower again the power consumption.

There are two ways to recover from the “Suspend” mode:

- First one is to clear the FRZCLK bit. This is possible if the CPU is not in the Idle mode.
- Second way, if the CPU is “idle”, is to enable the WAKEUPI interrupt (WAKEUPE set). Then, as soon as a non-idle signal is seen by the controller, the WAKEUPI interrupt is triggered. The firmware shall then clear the FRZCLK bit to restart the transfer.

There are no relationship between the SUSPI interrupt and the WAKEUPI interrupt: the WAKEUPI interrupt is triggered as soon as there are non-idle patterns on the data lines. Thus, the WAKEUPI interrupt can occur even if the controller is not in the “suspend” mode.

When the WAKEUPI interrupt is triggered, if the SUSPI interrupt bit was already set, it is cleared by hardware.

When the SUSPI interrupt is triggered, if the WAKEUPI interrupt bit was already set, it is cleared by hardware.

## Detach

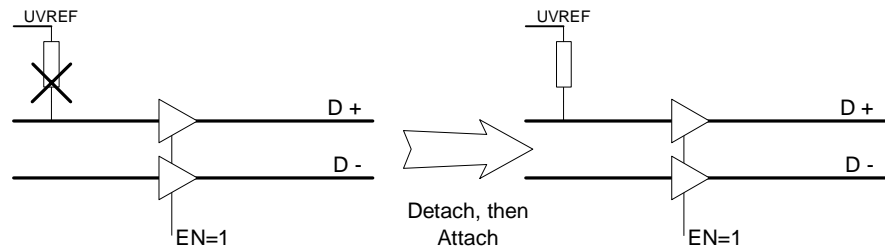
The reset value of the DETACH bit is 1.

It is possible to re-enumerate a device, simply by setting and clearing the DETACH bit.

- If the USB device controller is in full-speed mode, setting DETACH will disconnect the pull-up on the D+ or D- pad (depending on full or low speed mode selected). Then, clearing DETACH will connect the pull-up on the D+ or D- pad.



Figure 61. Detach a device in Full-speed:



## Remote Wake-Up

The “Remote Wake-up” (or “upstream resume”) request is the only operation allowed to be sent by the device on its own initiative. Anyway, to do that, the device should first have received a DEVICE\_REMOTE\_WAKEUP request from the host.

- First, the USB controller must have detected the “suspend” state of the line: the remote wake-up can only be sent after a SUSPI interrupt has been triggered.
- The firmware has then the ability to set RMWKUP to send the “upstream resume” stream. This will automatically be done by the controller after 5ms of inactivity on the USB line.
- When the controller starts to send the “upstream resume”, the UPRSMI interrupt is triggered (if enabled). If SUSPI was set, SUSPI is cleared by hardware.
- RMWKUP is cleared by hardware at the end of the “upstream resume”.
- If the controller detects a good “End Of Resume” signal from the host, an EORSMI interrupt is triggered (if enabled).

## STALL Request

For each endpoint, the STALL management is performed using 2 bits:

- STALLRQ (enable stall request)
- STALLRQC (disable stall request)
- STALLI (stall sent interrupt)

To send a STALL handshake at the next request, the STALLRQ request bit has to be set. All following requests will be handshak’ed with a STALL until the STALLRQC bit is set.

Setting STALLRQC automatically clears the STALLRQ bit. The STALLRQC bit is also immediately cleared by hardware after being set by software. Thus, the firmware will never read this bit as set.

Each time the STALL handshake is sent, the STALLI flag is set by the USB controller and the EPINTx interrupt will be triggered (if enabled).

**The incoming packets will be discarded (RXOUTI and RWAL will not be set).**

The host will then send a command to reset the STALL: the firmware just has to set the STALLRQC bit and to reset the endpoint.

## Special Consideration for Control Endpoints

A SETUP request is always ACK’ed.

If a STALL request is set for a Control Endpoint and if a SETUP request occurs, the SETUP request has to be ACK’ed and the STALLRQ request and STALLI sent flags are automatically reset (RXSETUPI set, TXINI cleared, STALLI cleared, TXINI cleared...).

This management simplifies the enumeration process management. If a command is not supported or contains an error, the firmware set the STALL request flag and can return to the main task, waiting for the next SETUP request.

This function is compliant with the Chapter 8 test from PMTC that send extra status for a GET\_DESCRIPTOR. The firmware sets the STALL request just after receiving the status. All extra status will be automatically STALL'ed until the next SETUP request.

### STALL Handshake and Retry Mechanism

The Retry mechanism has priority over the STALL handshake. A STALL handshake is sent if the STALLRQ request bit is set and if there is no retry required.

### CONTROL Endpoint Management

A SETUP request is always ACK'ed. When a new setup packet is received, the RXSTPI interrupt is triggered (if enabled). The RXOUTI interrupt is not triggered.

The FIFOCON and RWAL fields are irrelevant with CONTROL endpoints. The firmware shall thus never use them on that endpoints. When read, their value is always 0.

CONTROL endpoints are managed by the following bits:

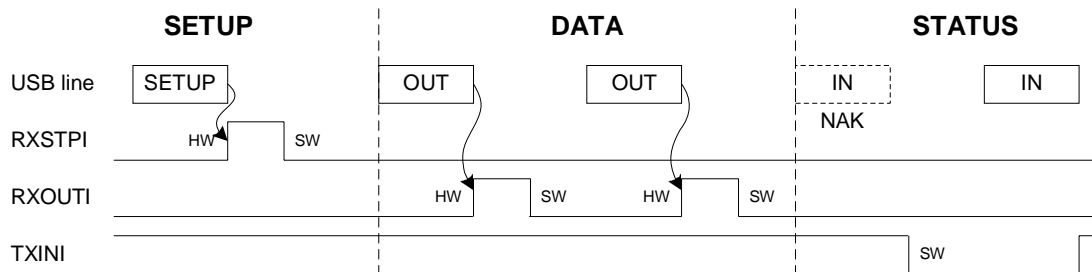
- RXSTPI is set when a new SETUP is received. It shall be cleared by firmware to acknowledge the packet **and to clear the endpoint bank.**
- RXOUTI is set when a new OUT data is received. It shall be cleared by firmware to acknowledge the packet **and to clear the endpoint bank.**
- TXINI is set when the bank is ready to accept a new IN packet. It shall be cleared by firmware to **send the packet and to clear the endpoint bank.**

CONTROL endpoints should not be managed by interrupts, but only by polling the status bits.

### Control Write

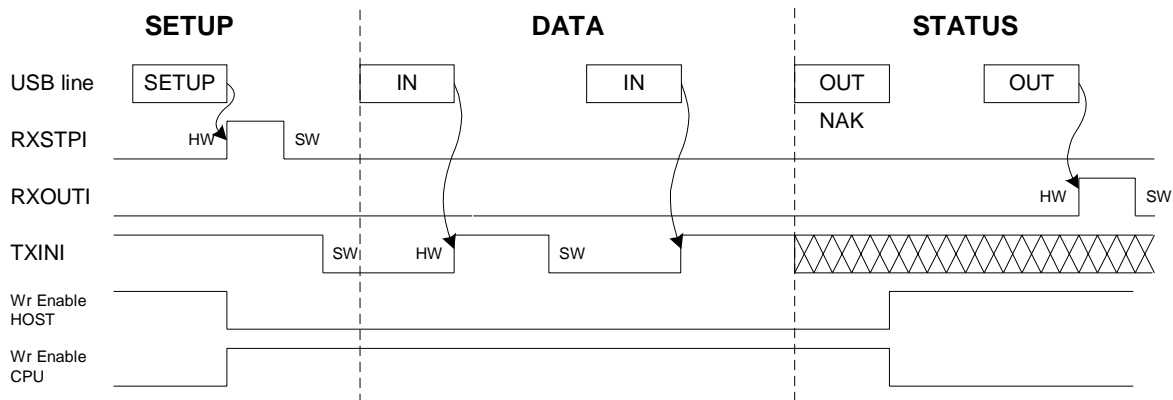
The next figure shows a control write transaction. During the status stage, the controller will not necessary send a NAK at the first IN token:

- If the firmware knows the exact number of descriptor bytes that must be read, it can then anticipate on the status stage and send a ZLP for the next IN token,
- or it can read the bytes and poll NAKINI, which tells that all the bytes have been sent by the host, and the transaction is now in the status stage.



## Control Read

The next figure shows a control read transaction. The USB controller has to manage the simultaneous write requests from the CPU and the USB host:



A NAK handshake is always generated at the first status stage command.

When the controller detect the status stage, all the data written by the CPU are erased, and clearing TXINI has no effects.

The firmware checks if the transmission is complete or if the reception is complete.

The OUT retry is always ack'ed. This reception:

- set the RXOUTI flag (received OUT data)
- set the TXINI flag (data sent, ready to accept new data)

software algorithm:

```

set transmit ready
wait (transmit complete OR Receive complete)
if receive complete, clear flag and return
if transmit complete, continue
    
```

Once the OUT status stage has been received, the USB controller waits for a SETUP request. The SETUP request have priority over any other request and has to be ACK'ed. This means that any other flag should be cleared and the fifo reset when a SETUP is received.

**WARNING:** the byte counter is reset when the OUT Zero Length Packet is received. The firmware has to take care of this.

## OUT Endpoint Management

### Overview

#### "Manual" Mode

OUT packets are sent by the host. All the data can be read by the CPU, which acknowledges or not the bank when it is empty.

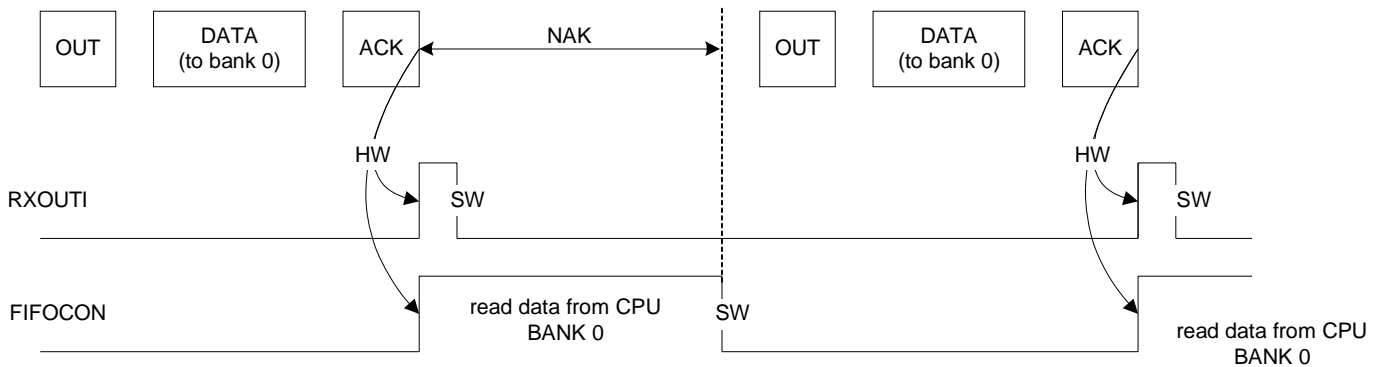
The Endpoint must be configured first.

Each time the current bank is full, the RXOUTI and the FIFOCON bits are set. This triggers an interrupt if the RXOUTE bit is set. The firmware can acknowledge the USB interrupt by clearing the RXOUTI bit. The Firmware read the data and clear the FIFOCON bit in order to free the current bank. If the OUT Endpoint is composed of multiple

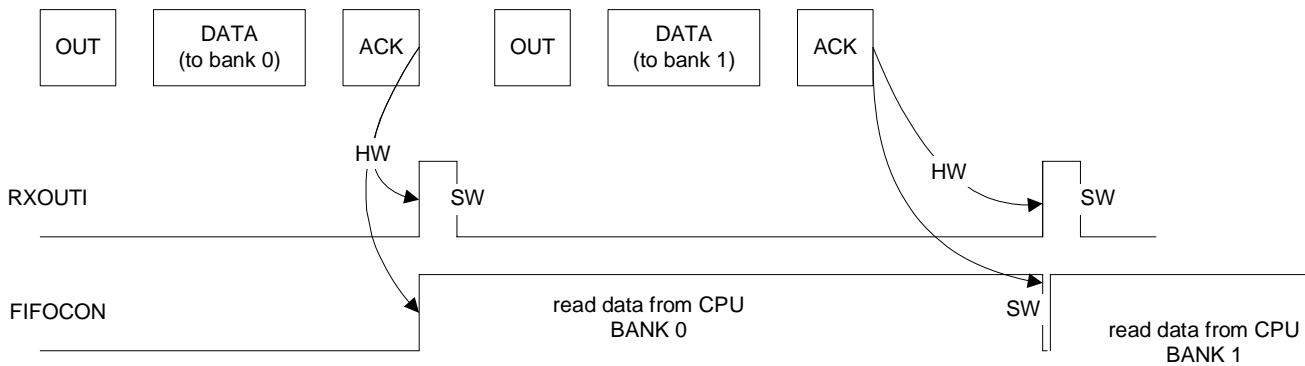
banks, clearing the FIFOCON bit will switch to the next bank. The RXOUTI and FIFOCON bits are then updated by hardware in accordance with the status of the new bank. RXOUTI shall always be cleared before clearing FIFOCON.

The RWAL bit always reflects the state of the current bank. This bit is set if the firmware can read data from the bank, and cleared by hardware when the bank is empty.

Example with 1 OUT data bank



Example with 2 OUT data banks



*“Autoswitch” Mode*

In this mode, the clear of the FIFOCON bit is performed automatically by hardware each time the Endpoint bank is empty. The firmware has to check if the next bank is empty or not before reading the next data. On RXOUTI interrupt, the firmware reads a complete bank. A new interrupt will be generated each time the current bank contains data to read.

The acknowledge of the RXOUTI interrupt is always performed by software.

**Detailed Description**

*standard Mode Without AUTOSW*

In this mode (AUTOSW cleared), the data are read by the CPU, following the next flow:

- When the bank is filled by the host, an endpoint interrupt (EPINTx) is triggered, if enabled (RXOUTE set) and RXOUTI is set. The CPU can also poll RXOUTI or FIFOCON, depending on the software architecture,
- The CPU acknowledges the interrupt by clearing RXOUTI,
- The CPU can read the number of byte (N) in the current bank (N=BYCT),

- The CPU can read the data from the current bank (“N” read of UEDATX),
- The CPU can free the bank by clearing FIFOCON when all the data is read, that is:
  - after “N” read of UEDATX,
  - as soon as RWAL is cleared by hardware.

If the endpoint uses 2 banks, the second one can be filled by the HOST while the current one is being read by the CPU. Then, when the CPU clear FIFOCON, the next bank may be already ready and RXOUTI is set immediately.

## *Standard Mode with AUTOSW*

In this mode (AUTOSW set), the flow operation is the same as Section “standard Mode Without AUTOSW”, page 108, with the exception that the CPU does not have to free the bank (FIFOCON cleared): this will automatically be done when the CPU read the last byte of the bank.

- EPINTx (RXOUTE set, RXOUTI set) or polling on RXOUTI=1 or FIFOCON=1,
- The CPU acknowledges the interrupt by clearing RXOUTI,
- The CPU read the number of byte (N) in the current bank (N=BYCT) (or already knows the number “N” of bytes at each packet),
- The CPU can read the data from the current bank (“N” read of UEDATX, or can read while RWAL is set).

A clear of FIFOCON does not have any effects in this mode.

## *Using the DFC with AUTOSW*

In this mode (AUTOSW set, DFC programmed), the data are handled by the DFC without any intervention from the CPU. The flow is:

- programming of the DFC,
- poll End Of Transfer from the DFC.

The bank switching is automatically done: when a bank is emptied, it is freed and the switch occurs. If the End Of Transfer occurs while the bank is not emptied, the CPU has the responsibility to free it.

The CPU shall not use UEDATX or the byte counter BYCT in this mode. A clear of FIFOCON does not have any effects in this mode.

If a ZLP is received, it will be filtered by the USB device controller, and the flag ZLP-SEEN is set.

## *Using the DFC without AUTOSW*

In this mode (AUTOSW cleared, DFC programmed), the data are handled by the DFC but the CPU have to acknowledge each bank read.

- programming of the DFC,
- EPINTx (RXOUTE set, RXOUTI set) or polling on RXOUTI=1 or FIFOCON=1,
- The CPU acknowledges the interrupt by clearing RXOUTI,
- poll the wait of the transfer: (while RWAL is set: wait),
- Clear FIFOCON which frees the bank and switch to the next one.

## **IN Endpoint Management**

IN packets are sent by the USB device controller, upon an IN request from the host. All the data can be written by the CPU, which acknowledge or not the bank when it is full.

### **Overview**

The Endpoint must be configured first.

### *“Manual” Mode*

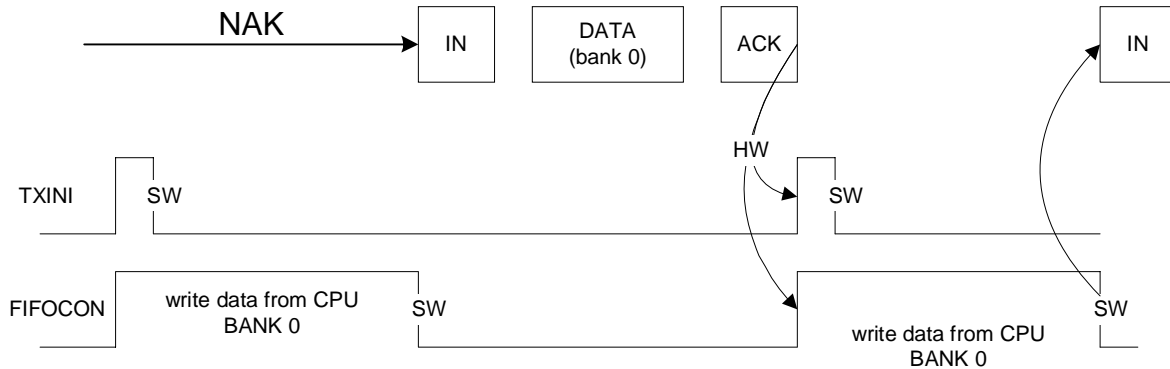
The TXINI bit is set by hardware when the current bank becomes free. This triggers an interrupt if the TXINE bit is set. The FIFOCON bit is set at the same time. The CPU

writes into the FIFO and clears the FIFOCON bit to allow the USB controller to send the data. If the IN Endpoint is composed of multiple banks, this also switches to the next data bank. The TXINI and FIFOCON bits are automatically updated by hardware regarding the status of the next bank.

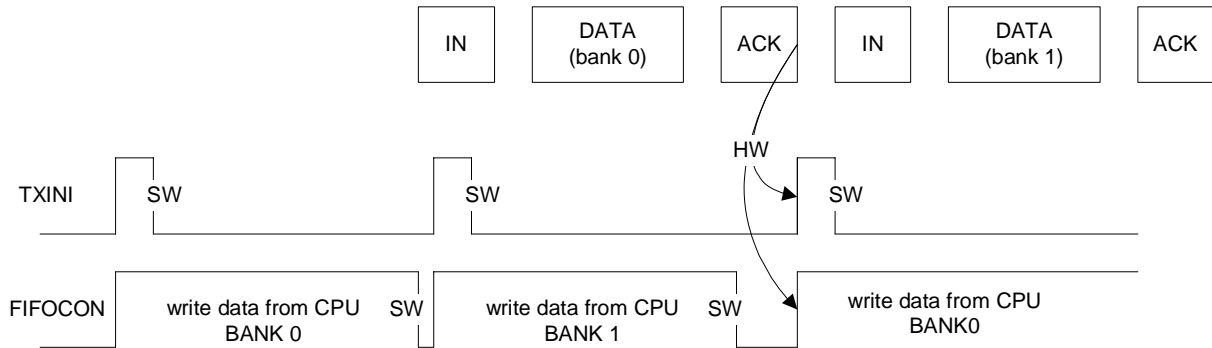
TXINI shall always be cleared before clearing FIFOCON.

The RWAL bit always reflects the state of the current bank. This bit is set if the firmware can write data to the bank, and cleared by hardware when the bank is full.

Example with 1 IN data bank



Example with 2 IN data banks



*“Autoswitch” Mode*

In this mode, the clear of the FIFOCON bit is performed automatically by hardware each time the Endpoint bank is full. The firmware has to check if the next bank is empty or not before writing the next data. On TXINI interrupt, the firmware fills a complete bank. A new interrupt will be generated each time the current bank becomes free.

**Detailed Description**

*Standard Mode without AUTOSW*

In this mode (AUTOSW cleared), the data are written by the CPU, following the next flow:

- When the bank is empty, an endpoint interrupt (EPINTx) is triggered, if enabled (TXINE set) and TXINI is set. The CPU can also poll TXINI or FIFOCON, depending the software architecture choice,
- The CPU acknowledges the interrupt by clearing TXINI,
- The CPU can write the data into the current bank (write in UEDATX),

- The CPU can free the bank by clearing FIFOCON when all the data are written, that is:
  - after “N” write into UEDATX
  - as soon as RWAL is cleared by hardware.

If the endpoint uses 2 banks, the second one can be read by the HOST while the current is being written by the CPU. Then, when the CPU clears FIFOCON, the next bank may be already ready (free) and TXINI is set immediately.

### *Standard Mode with AUTOSW*

In this mode (AUTOSW set), the flow operation is the same as Section “Standard Mode without AUTOSW”, page 110, with the exception that the CPU does not have to free the bank (FIFOCON cleared): this will automatically be done when the CPU fills the bank.

- EPINTx (TXINE set, TXINI set) or polling on TXINI=1 or FIFOCON=1,
- The CPU acknowledges the interrupt by clearing TXINI,
- The CPU can write the data to the current bank (write in UEDATX) while RWAL is set.

A clear of FIFOCON does not have any effects in this mode.

### *Using the DFC with AUTOSW*

In this mode (AUTOSW set, DFC programmed), the data are handled by the DFC without any intervention from the CPU. The flow is:

- programming of the DFC,
- poll End Of Transfer from the DFC.

The bank switching is automatically done: when a bank is filled, it is freed and the switch occurs. If the End Of Transfer occurs while the bank is not filled, the CPU has the responsibility to free it.

The CPU shall not use UEDATX or the byte counter BYCT in this mode. A clear of FIFOCON does not have any effects in this mode.

### *Using the DFC without AUTOSW*

In this mode (AUTOSW=0, DFC programmed), the data are handled by the DFC but the CPU have to acknowledge each bank written:

- programming of the DFC,
- EPINTx (TXINE set, TXINI set) or polling on TXINI=1 or FIFOCON=1,
- The CPU acknowledges the interrupt by clearing TXINI,
- poll the wait of the transfer: (while RWAL is set: wait),
- Clear FIFOCON which frees the bank and switch to the next one.

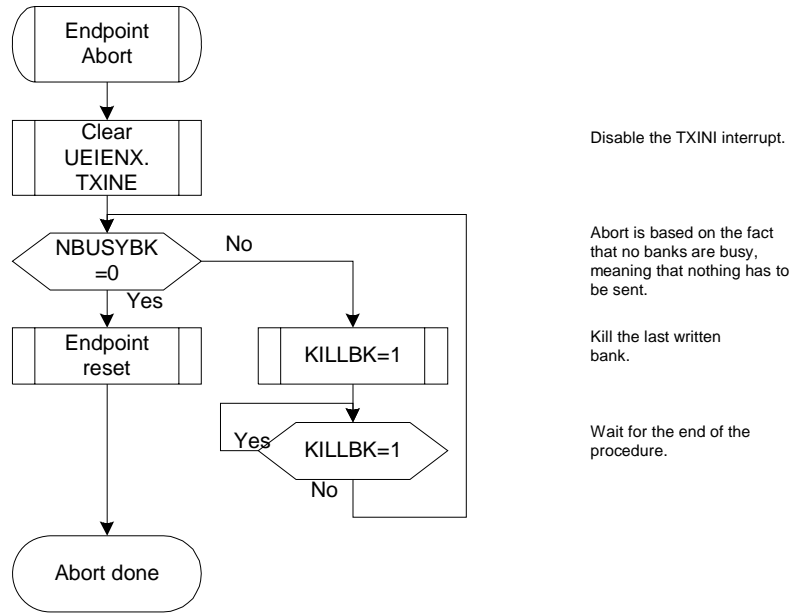
### *Abort*

An “abort” stage can be produced by the host in some situations:

- In a control transaction: ZLP data OUT received during a IN stage,
- In an isochronous IN transaction: ZLP data OUT received on the OUT endpoint during a IN stage on the IN endpoint
- ...

The KILLBK bit is used to kill the last “written” bank. The best way to manage this abort is to perform the following operations:

**Table 111.** Abort flow



### Isochronous Mode

For Isochronous IN endpoints, it is possible to automatically switch the banks on each start of frame (SOF). This is done by setting ISOSW. The CPU has to fill the bank of the endpoint; the bank switching will be automatic as soon as a SOF is seen by the hardware.

A clear of FIFOCON does not have any effects in this mode.

In the case that a SOF is missing (noise on USB pad, ...), the controller will automatically build internally a “pseudo” start of frame and the bank switching is made. The SOFI interrupt is triggered and the frame number FNUM10:0 is increased.

### Underflow

An underflow can occur during IN stage if the host attempts to read a bank which is empty. In this situation, the UNDERFI interrupt is triggered.

An underflow can also occur during OUT stage if the host send a packet while the banks are already full. Typically, he CPU is not fast enough. The packet is lost.

It is not possible to have underflow error during OUT stage, in the CPU side, since the CPU should read only if the bank is ready to give data (RXOUTI=1 or RWAL=1)

### CRC Error

A CRC error can occur during OUT stage if the USB controller detects a bad received packet. In this situation, the STALLI interrupt is triggered. This does not prevent the RXOUTI interrupt from being triggered.

### Overflow

In Control, Isochronous, Bulk or Interrupt Endpoint, an overflow can occur during OUT stage, if the host attempts to write in a bank that is too small for the packet. In this situation, the OVERFI interrupt is triggered (if enabled). The packet is acknowledged and the RXOUTI interrupt is also triggered (if enabled). The bank is filled with the first bytes of the packet.

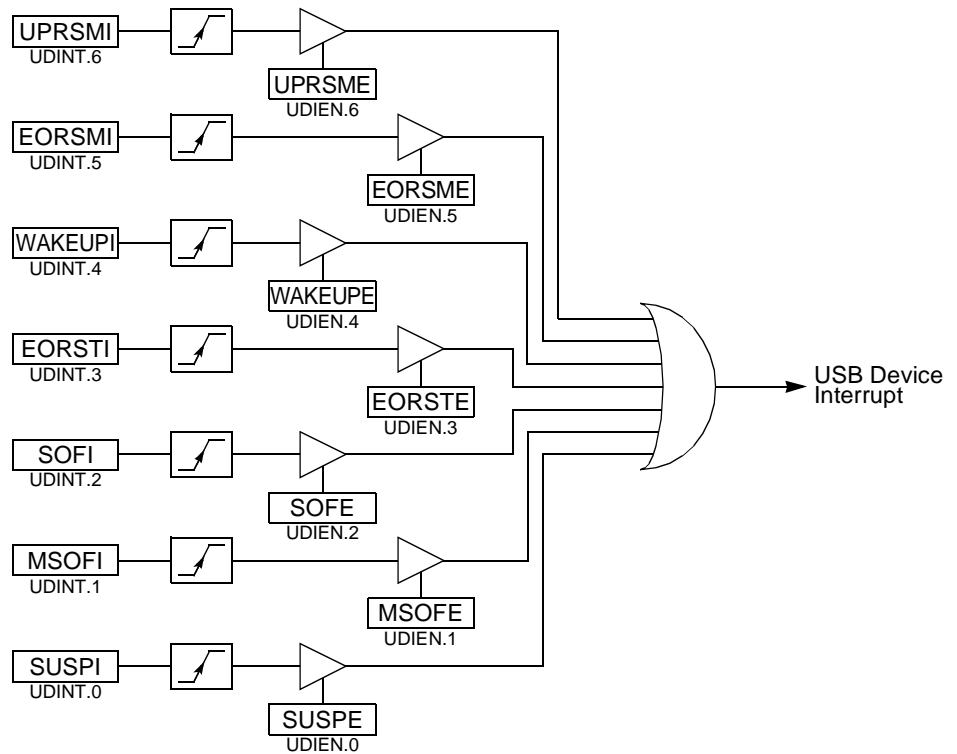
It is not possible to have overflow error during IN stage, in the CPU side, since the CPU should write only if the bank is ready to access data (TXINI=1 or RWAL=1).



Interrupts

Figure 62 shows all the device interrupts sources while Figure 63 details the endpoint interrupt sources.

Figure 62. USB Device Controller Interrupt System



There are 2 kinds of interrupts: processing (i.e. their generation are part of the normal processing) and exception (errors).

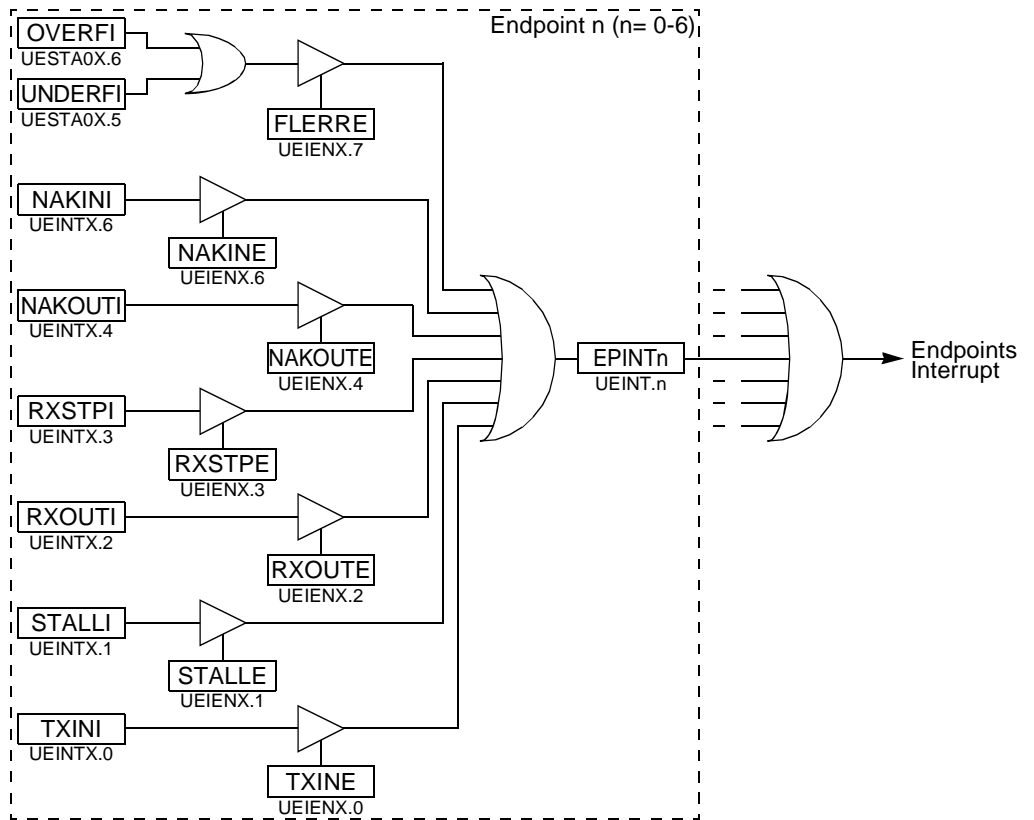
Processing interrupts are generated when the following events are triggered:

- VBUSTI: VBUS plug-in detection (insert, remove)
- UPRSMI: upstream resume
- EORSMI: end of resume
- WAKEUPI: Wake up
- EORSTI: end of reset (Speed Initialization)
- SOFI: start of frame (FNCERR= 0)
- MSOFI: micro start of frame (FNCERR= 0)
- SUSPI: suspend detected after 3 ms of inactivity

Exception Interrupts are generated when the following events are triggered:

- SOFI: CRC error in frame number of SOF (FNCERR= 1)
- MSOFI: CRC error in frame number of micro-SOF (FNCERR= 1)

**Figure 63.** USB Device Controller Endpoint Interrupt System



Processing interrupts are generated when the following events are triggered:

- TXINI: ready to accept IN data
- RXOUTI: OUT data received
- RXSTPI: SETUP received

Exception Interrupts are generated when the following events are triggered:

- STALLI: stalled packet
- STALLI: CRC error on OUT in isochronous mode
- OVERFI: overflow in isochronous mode
- UNDERFI: underflow in isochronous mode
- NAKINI: NAK IN sent
- NAKOUTI: NAK OUT sent

Registers

USB Device General Registers

**Table 112.** UDCON Register

UDCON (1.D9h) – USB Device General Control Register

7	6	5	4	3	2	1	0
-	-	-	-	-	-	RMWKUP	DETACH

Bit Number	Bit Mnemonic	Description
7-2	-	<b>Reserved</b> The value read from these bits is always 0. Do not set these bits.
1	RMWKUP	<b>Remote Wake-up Bit</b> Set to send an “upstream-resume” to the host for a remote wake-up. Cleared by hardware. Clearing by software has no effect. See Section “Remote Wake-Up” for more details.
0	DETACH	<b>Detach Bit</b> Set to physically detach de device. Clear to reconnect the device. See Section “Detach” for more details.

Reset Value = 0000 0001b

**Table 113.** UDINT Register

UDINT (1.D8h) – USB Device Global Interrupt Register

7	6	5	4	3	2	1	0
-	UPRSMI	EORSMI	WAKEUPI	EORSTI	SOFI	MSOFI	SUSPI

Bit Number	Bit Mnemonic	Description
7	-	<b>Reserved</b> The value read from these bits is always 0. Do not set these bits.
6	UPRSMI	<b>Upstream Resume Interrupt Flag</b> Set by hardware when the USB controller is sending a resume signal called “Upstream Resume”. This triggers an USB interrupt if UPRSME is set. Shall be cleared by software (USB clocks must be enabled before). Setting by software has no effect.
5	EORSMI	<b>End Of Resume Interrupt Flag</b> Set by hardware when the USB controller detects a good “End Of Resume” signal initiated by the host. This triggers an USB interrupt if EORSME is set. Shall be cleared by software. Setting by software has no effect.
4	WAKEUPI	<b>Wake-up CPU Interrupt Flag</b> Set by hardware when the USB controller is re-activated by a filtered non-idle signal from the lines (not by an upstream resume). This triggers an interrupt if WAKEUPE is set. Shall be cleared by software (USB clock inputs must be enabled before). Setting by software has no effect. See Section “Suspend, Wake-Up and Resume” for more details.

Bit Number	Bit Mnemonic	Description
3	EORSTI	<b>End Of Reset Interrupt Flag</b> Set by hardware when an “End Of Reset” has been detected by the USB controller. This triggers an USB interrupt if EORSTE is set. Shall be cleared by software. Setting by software has no effect.
2	SOFI	<b>Start Of Frame Interrupt Flag</b> Set by hardware when an USB “Start Of Frame” PID (SOF) has been detected (every 1 ms). This triggers an USB interrupt if SOFE is set.
1	MSOFI	<b>Micro-Start Of Frame Interrupt Flag</b> Set by hardware when an USB “Micro-Start Of Frame” PID ( $\mu$ SOF) has been detected (every 125 $\mu$ s). This triggers an USB interrupt if MSOFE is set.
0	SUSPI	<b>Suspend Interrupt Flag</b> Set by hardware when an USB “Suspend” ‘idle bus for 3 frame periods: a J state for 3 ms) is detected. This triggers an USB interrupt if SUSPE is set. Shall be cleared by software. Setting by software has no effect. See Section “Suspend, Wake-Up and Resume” for more details.

Reset Value = 0000 0000b

**Table 114.** UDIEN Register

UDIEN (1.DAh) – USB Device Global Interrupt Enable Register

7	6	5	4	3	2	1	0
-	UPRSME	EORSME	WAKEUPE	EORSTE	SOFE	MSOFE	SUSPE

Bit Number	Bit Mnemonic	Description
7	-	<b>Reserved</b> The value read from these bits is always 0. Do not set these bits.
6	UPRSME	<b>Upstream Resume Interrupt Enable Bit</b> Set to enable the UPRSME interrupt. Clear to disable the UPRSME interrupt.
5	EORSME	<b>End Of Resume Interrupt Enable Bit</b> Set to enable the EORSME interrupt. Clear to disable the EORSME interrupt.
4	WAKEUPE	<b>Wake-Up CPU Interrupt Enable Bit</b> Set to enable the WAKEUPI interrupt. Clear to disable the WAKEUPI interrupt.
3	EORSTE	<b>End Of Reset Interrupt Enable Bit</b> Set to enable the EORSTI interrupt. This bit is set after a reset. Clear to disable the EORSTI interrupt.
2	SOFE	<b>Start Of Frame Interrupt Enable Bit</b> Set to enable the SOFI interrupt. Clear to disable the SOFI interrupt.
1	MSOFE	<b>Micro-Start Of Frame Interrupt Enable Bit</b> Set to enable the MSOFI interrupt. Clear to disable the MSOFI interrupt.

Bit Number	Bit Mnemonic	Description
0	SUSPE	<b>Suspend Interrupt Enable Bit</b> Set to enable the SUSPI interrupt. Clear to disable the SUSPI interrupt.

Reset Value = 0000 0000b

**Table 115.** UDADDR Register

UDADDR (1.DBh) – USB Device Address Register

7	6	5	4	3	2	1	0
ADDEN	UADD6	UADD5	UADD4	UADD3	UADD2	UADD1	UADD0

Bit Number	Bit Mnemonic	Description
7	ADDEN	<b>Address Enable Bit</b> Set to activate the UADD (USB address). Cleared by hardware. Clearing by software has no effect. See Section “Address Setup” for more details.
6-0	UADD6:0	<b>USB Address Bits</b> Set to configure the device address. Shall not be cleared.

Reset Value = 0000 0000b

**Table 116.** UDFNUMH Register

UDFNUMH (1.DCh) – USB Device Frame Number High Register

7	6	5	4	3	2	1	0
-	-	-	-	-	FNUM10	FNUM9	FNUM8

Bit Number	Bit Mnemonic	Description
7-3	-	<b>Reserved</b> The value read from these bits is always 0. Do not set these bits.
2-0	FNUM10:8	<b>Frame Number Upper Flag</b> Set by hardware. These bits are the 3 MSB of the 11-bits Frame Number information. They are provided in the last received SOF packet. FNUM is updated if a corrupted SOF is received.

Reset Value = 0000 0000b

**Table 117.** UDFNUML Register

UDFNUML (1.DDh) – USB Device Frame Number Low Register

7	6	5	4	3	2	1	0
FNUM7	FNUM6	FNUM5	FNUM4	FNUM3	FNUM2	FNUM1	FNUM0

Bit Number	Bit Mnemonic	Description
7-0	FNUM7:0	<b>Frame Number Lower Flag</b> Set by hardware. These bits are the 8 LSB of the 11-bits Frame Number information.

Reset Value = 0000 0000b

**Table 118.** UDMFN Register

UDMFN (1.DEh) – USB Device Frame Number Register

7	6	5	4	3	2	1	0
-	-	-	FNCERR	-	-	-	-

Bit Number	Bit Mnemonic	Description
7-5	-	<b>Reserved</b> The value read from these bits is always 0. Do not set these bits.
4	FNCERR	<b>Frame Number CRC Error Flag</b> Set by hardware when a corrupted Frame Number in start of frame packet is received. This bit and the SOFI interrupt are updated at the same time.
3-0	-	<b>Reserved</b> The value read from these bits is always 0. Do not set these bits.

Reset Value = 0000 0000b

## USB Device Endpoint Registers

**Table 119.** UENUM Register

UENUM (1.C9h) – USB Endpoint Number Selection Register

7	6	5	4	3	2	1	0
-	-	-	-	-	EPNUM2	EPNUM1	EPNUM0

Bit Number	Bit Mnemonic	Description
7-3	-	<b>Reserved</b> The value read from these bits is always 0. Do not set these bits.
2-0	EPNUM2:0	<b>Endpoint Number Bits</b> Set to select the number of the endpoint which shall be accessed by the CPU. See Section “Endpoint Selection” for more details. EPNUM = 111b is forbidden.

Reset Value = 0000 0000b

**Table 120.** UERST Register

UERST (1.CAh) – USB Endpoint Reset Register

7	6	5	4	3	2	1	0
-	EPRST6	EPRST5	EPRST4	EPRST3	EPRST2	EPRST1	EPRST0

Bit Number	Bit Mnemonic	Description
7	-	<b>Reserved</b> The value read from these bits is always 0. Do not set these bits.
6-0	EPRST6:0	<b>Endpoint FIFO Reset Bits</b> Set to reset the selected endpoint FIFO prior to any other operation, upon hardware reset or when an USB bus reset has been received. See Section "Endpoint Reset" for more information. Then, cleared by software to complete the reset operation and start using the FIFO.

Reset Value = 0000 0000b

**Table 121.** UECONX Register

UECONX (1.CBh) – USB Endpoint Control Register

7	6	5	4	3	2	1	0
-	-	STALLRQ	STALLRQC	RSTDT	EPNUMS	DFCRDY	EPEN

Bit Number	Bit Mnemonic	Description
7-6	-	<b>Reserved</b> The value read from these bits is always 0. Do not set these bits.
5	STALLRQ	<b>STALL Request Handshake Bit</b> Set to request a STALL answer to the host for the next handshake. Cleared by hardware when a new SETUP is received. Clearing by software has no effect. See Section "STALL Request" for more details.
4	STALLRQC	<b>STALL Request Clear Handshake Bit</b> Set to disable the STALL handshake mechanism. Cleared by hardware immediately after the set. Clearing by software has no effect. See Section "STALL Request" for more details.
3	RSTDT	<b>Reset Data Toggle Bit</b> Set to automatically clear the data toggle sequence: For OUT endpoint: the next received packet will have the data toggle 0. For IN endpoint: the next packet to be sent will have the data toggle 0. Cleared by hardware instantaneously. The firmware does not have to wait that the bit is cleared. Clearing by software has no effect.
2	EPNUMS	<b>Endpoint Number Select Bit</b> Set to configure the EPNUM used by the DFC. Clear to select the EPNUM used by the CPU.
1	DFCRDY	<b>DFC Ready Bit</b> Set to resume/enable the DFC interface. Clear to pause the DFC interface.
0	EPEN	<b>Endpoint Enable Bit</b> Set to enable the endpoint according to the device configuration. Endpoint 0 shall always be enabled after a hardware or USB reset and participate in the device configuration. Clear this bit to disable the endpoint. See Section "Endpoint Activation" for more details.

Reset Value = 0000 0000b



**Table 122.** UECFG0X Register

UECFG0X (1.CCh) – USB Endpoint Configuration 1 Register

7	6	5	4	3	2	1	0
EPTYPE1:0		-	-	ISOSW	AUTOSW	NYETDIS	EPDIR
Bit Number	Bit Mnemonic	Description					
7-6	EPTYPE1:0	<b>Endpoint Type Bits</b> Set this bit according to the endpoint configuration: 00b: Control 10b: Bulk 01b: Isochronous 11b: Interrupt					
5-4	-	<b>Reserved</b> The value read from these bits is always 0. Do not set these bits.					
3	ISOSW	<b>Isochronous Switch Bit</b> Set to automatically switch banks on each SOF. Clear to disable the automatic bank switching on each SOF. See Section “Isochronous Mode” for more details.					
2	AUTOSW	<b>Automatic Switch Bit</b> Set to automatically switch bank when it is ready. Clear to disable the automatic bank switching. See Section “OUT Endpoint Management” and Section “IN Endpoint Management” for more details.					
1	NYETDIS	<b>Not Yet Disable Bit</b> Set to automatically send a “ACK” handshake instead of “Not Yet” handshake. Thus, the host will not have to “ping” for the next packet. Clear to automatically send “Not Yet” handshake. Thus, the host will have to “ping” for the next packet.					
0	EPDIR	<b>Endpoint Direction Bit</b> Set to configure an IN direction for bulk, interrupt or isochronous endpoints. Clear to configure an OUT direction for bulk, interrupt, isochronous or control endpoints.					

Reset Value = 0000 0000b

**Table 123.** UECFG1X Register

UECFG1X (1.CDh) – USB Endpoint Configuration 0 Register

7	6	5	4	3	2	1	0
-	EPSIZE2	EPSIZE1	EPSIZE0	EPBK1	EPBK	ALLOC	-
Bit Number	Bit Mnemonic	Description					
7	-	<b>Reserved</b> The value read from these bits is always 0. Do not set these bits.					
6-4	EPSIZE2:0	<b>Endpoint Size Bits</b> Set this bit according to the endpoint size: 000b: 8 bytes 100b: 128 bytes 001b: 16 bytes 101b: 256 bytes 010b: 32 bytes 110b: 512 bytes 011b: 64 bytes 111b: Reserved. Do not use this configuration.					



Bit Number	Bit Mnemonic	Description
3-2	EPBK1:0	<b>Endpoint Bank Bits</b> Set this field according to the endpoint size: 00b: Single bank 01b: Double bank 1xb: Reserved. Do not use this configuration.
1	ALLOC	<b>Endpoint Allocation Bit</b> Set this bit to allocate the endpoint memory. Clear to free the endpoint memory. See Section "Endpoint Activation" for more details.
0	-	<b>Reserved</b> The value read from these bits is always 0. Do not set these bits.

Reset Value = 0000 0000b

**Table 124.** UESTA0X Register

UESTA0X (1.CEh) – USB Endpoint Status 0 Register

	7	6	5	4	3	2	1	0
	CFGOK	OVERFI	UNDERFI	ZLPSEEN	DTSEQ1	DTSEQ0	NBUSYBK1	NBUSYBK0

Bit Number	Bit Mnemonic	Description
7	CFGOK	<b>Configuration Status Flag</b> Set by hardware when the endpoint X size parameter (EPSIZE) and the bank parametrization (EPBK) are correct compared to the max FIFO capacity and the max number of allowed bank. This bit is updated when the bit ALLOC is set. If this bit is cleared, the user should reprogram the UEFCFG1X register with correct EPSIZE and EPBK values.
6	OVERFI	<b>Overflow Error Interrupt Flag</b> Set by hardware when an overflow error occurs in an isochronous endpoint. An interrupt (EPINTx) is triggered (if enabled). See Section "Isochronous Mode" for more details. Shall be cleared by software. Setting by software has no effect.
5	UNDERFI	<b>Flow Error Interrupt Flag</b> Set by hardware when an underflow error occurs in an isochronous endpoint. An interrupt (EPINTx) is triggered (if enabled). See Section "Isochronous Mode" for more details. Shall be cleared by software. Setting by software has no effect.
4	ZLPSEEN	<b>Zero Length Packet Seen (bit / Flag)</b> Set by hardware, as soon as a ZLP has been filtered during a transfer. Shall be cleared by the software. Setting by software has no effect.
3-2	DTSEQ1:0	<b>Data Toggle Sequencing Flag</b> Set by hardware to indicate the PID data of the current bank: 00b: Data0 01b: Data1 1xb: Reserved. For OUT transfer, this value indicates the last data toggle received on the current bank. For IN transfer, it indicates the Toggle that will be used for the next packet to be sent. This is not relative to the current bank.

Bit Number	Bit Mnemonic	Description
1-0	NBUSYBK1:0	<b>Busy Bank Flag</b> Set by hardware to indicate the number of busy bank. For IN endpoint, it indicates the number of busy bank(s), filled by the user, ready for IN transfer. For OUT endpoint, it indicates the number of busy bank(s) filled by OUT transaction from the host. 00b: All banks are free 01b: 1 busy bank 10b: 2 busy banks 11b: Reserved.

Reset Value = 0000 0000b

**Table 125.** UESTA1X Register

UESTA1X (1.CFh) – USB Endpoint Status 1 Register

7	6	5	4	3	2	1	0
-	-	-	-	-	CTRLDIR	CURRBK1	CURRBK0

Bit Number	Bit Mnemonic	Description
7-3	-	<b>Reserved</b> The value read from these bits is always 0. Do not set these bits.
2	CTRLDIR	<b>Control Direction (Flag, and bit for debug purpose)</b> Set by hardware after a SETUP packet, and gives the direction of the following packet: - 1 for IN endpoint - 0 for OUT endpoint. Can not be set or cleared by software.
1-0	CURRBK1:0	<b>Current Bank (all endpoints except Control endpoint) Flag</b> Set by hardware to indicate the number of the current bank: 00b: Bank0 01b: Bank1 1xb: Reserved. Can not be set or cleared by software.

Reset Value = 0000 0000b

**Table 126.** UEINTX Register (bit addressable)

UEINTX (1.C8h) – USB Endpoint Interrupt Register

	7	6	5	4	3	2	1	0
	FIFOCON	NAKINI	RWAL	NAKOUTI	RXSTPI	RXOUTI	STALLI	TXINI

Bit Number	Bit Mnemonic	Description
7	FIFOCON	<p><b>FIFO Control Bit</b>                      For OUT and SETUP Endpoint:                      Set by hardware when a new OUT message is stored in the current bank, at the same time than RXOUT or RXSTP.                      Clear to free the current bank and to switch to the following bank. Setting by software has no effect.</p> <p>For IN Endpoint:                      Set by hardware when the current bank is free, at the same time than TXIN.                      Clear to send the FIFO data and to switch the bank. Setting by software has no effect.</p>
6	NAKINI	<p><b>NAK IN Received Interrupt Flag</b>                      Set by hardware when a NAK handshake has been sent in response of a IN request from the host. This triggers an USB interrupt if NAKINE is sent.                      Shall be cleared by software. Setting by software has no effect.</p>
5	RWAL	<p><b>Read/Write Allowed Flag</b>                      Set by hardware to signal:                      - for an IN endpoint: the current bank is not full i.e. the firmware can push data into the FIFO,                      - for an OUT endpoint: the current bank is not empty, i.e. the firmware can read data from the FIFO.                      The bit is never set if STALLRQ is set, or in case of error.                      Cleared by hardware otherwise.                      This bit shall not be used for the control endpoint.</p>
4	NAKOUTI	<p><b>NAK OUT Received Interrupt Flag</b>                      Set by hardware when a NAK handshake has been sent in response of a OUT/PING request from the host. This triggers an USB interrupt if NAKOUTE is sent.                      Shall be cleared by software. Setting by software has no effect.</p>
3	RXSTPI	<p><b>Received SETUP Interrupt Flag</b>                      Set by hardware to signal that the current bank contains a new valid SETUP packet. An interrupt (EPINTx) is triggered (if enabled).                      Shall be cleared by software to handshake the interrupt. Setting by software has no effect.                      This bit is inactive (cleared) if the endpoint is an IN endpoint.</p>
2	RXOUTI / KILLBK	<p><b>Received OUT Data Interrupt Flag</b>                      Set by hardware to signal that the current bank contains a new packet. An interrupt (EPINTx) is triggered (if enabled).                      Shall be cleared by software to handshake the interrupt. Setting by software has no effect.</p> <p><b>Kill Bank IN Bit</b>                      Set this bit to kill the last written bank.                      Cleared by hardware when the bank is killed. Clearing by software has no effect.                      See Section "Abort" for more details on the Abort.</p>

Bit Number	Bit Mnemonic	Description
1	STALLI	<b>Stall Interrupt Flag</b> Set by hardware to signal that a STALL handshake has been sent, or that a CRC error has been detected in a OUT isochronous endpoint. Shall be cleared by software. Setting by software has no effect.
0	TXINI	<b>Transmitter Ready Interrupt Flag</b> Set by hardware to signal that the current bank is free and can be filled. An interrupt (EPINTx) is triggered (if enabled). Shall be cleared by software to handshake the interrupt. Setting by software has no effect. This bit is inactive (cleared) if the endpoint is an OUT endpoint.

Reset Value = 0000 0000b

**Table 127.** UEIENX Register

UEIENX (1.D2h) – USB Endpoint Interrupt Enable Register

7	6	5	4	3	2	1	0
FLERRE	NAKINE	-	NAKOUTE	RXSTPE	RXOUTE	STALLE	TXINE
Bit Number	Bit Mnemonic	Description					
7	FLERRE	<b>Flow Error Interrupt Enable Flag</b> Set to enable an endpoint interrupt (EPINTx) when OVERFI or UNDERFI are sent. Clear to disable an endpoint interrupt (EPINTx) when OVERFI or UNDERFI are sent.					
6	NAKINE	<b>NAK IN Interrupt Enable Bit</b> Set to enable an endpoint interrupt (EPINTx) when NAKINI is set. Clear to disable an endpoint interrupt (EPINTx) when NAKINI is set.					
5	-	<b>Reserved</b> The value read from these bits is always 0. Do not set these bits.					
4	NAKOUTE	<b>NAK OUT Interrupt Enable Bit</b> Set to enable an endpoint interrupt (EPINTx) when NAKOUTI is set. Clear to disable an endpoint interrupt (EPINTx) when NAKOUTI is set.					
3	RXSTPE	<b>Received SETUP Interrupt Enable Flag</b> Set to enable an endpoint interrupt (EPINTx) when RXSTPI is sent. Clear to disable an endpoint interrupt (EPINTx) when RXSTPI is sent.					
2	RXOUTE	<b>Received OUT Data Interrupt Enable Flag</b> Set to enable an endpoint interrupt (EPINTx) when RXOUTI is sent. Clear to disable an endpoint interrupt (EPINTx) when RXOUTI is sent.					
1	STALLE	<b>Stall Interrupt Enable Flag</b> Set to enable an endpoint interrupt (EPINTx) when STALLI is sent. Clear to disable an endpoint interrupt (EPINTx) when STALLI is sent.					
0	TXINE	<b>Transmitter Ready Interrupt Enable Flag</b> Set to enable an endpoint interrupt (EPINTx) when TXINI is sent. Clear to disable an endpoint interrupt (EPINTx) when TXINI is sent.					

Reset Value = 0000 0000b

**Table 128.** UEDATX Register

UEDATX (1.D3h) – USB Endpoint Data Register

7	6	5	4	3	2	1	0
DAT7	DAT6	DAT5	DAT4	DAT3	DAT2	DAT1	DAT0
Bit Number	Bit Mnemonic	Description					
7-0	DAT7:0	<b>Data Bits</b> Set by the software to read/write a byte from/to the endpoint FIFO selected by EPNUM.					

Reset Value = 0000 0000b

**Table 129.** UEBCHX Register

UEBCHX (1.D4h) – USB Endpoint Byte Counter High Register

7	6	5	4	3	2	1	0
-	-	-	-	-	BYCT10	BYCT9	BYCT8
Bit Number	Bit Mnemonic	Description					
7-3	-	<b>Reserved</b> The value read from these bits is always 0. Do not set these bits.					
2-0	BYCT10:8	<b>Byte count (high) Bits</b> Set by hardware. This field is the MSB of the byte count of the FIFO endpoint. The LSB part is provided by the UEBCLX register.					

Reset Value = 0000 0000b

**Table 130.** UEBCLX Register

UEBCLX (1.D5h) – USB Endpoint Byte Counter Low Register

7	6	5	4	3	2	1	0
BYCT7	BYCT6	BYCT5	BYCT4	BYCT3	BYCT2	BYCT1	BYCT0
Bit Number	Bit Mnemonic	Description					
7-0	BYCT7:0	<b>Byte Count (low) Bits</b> Set by the hardware. BYCT10:0 is: <ul style="list-style-type: none"> <li>- (for IN endpoint) increased after each writing into the endpoint and decremented after each byte sent,</li> <li>- (for OUT endpoint) increased after each byte sent by the host, and decremented after each byte read by the software.</li> </ul>					

Reset Value = 0000 0000b



**Table 131.** UEINT Register

UEINT (1.D6h) – USB Endpoint Interrupt Register

7	6	5	4	3	2	1	0
-	EPINT6	EPINT5	EPINT4	EPINT3	EPINT2	EPINT1	EPINT0
Bit Number	Bit Mnemonic	Description					
7	-	<b>Reserved</b> The value read from these bits is always 0. Do not set these bits.					
6-0	EPINT6:0	<b>Endpoint Interrupts Bits</b> Set by hardware when an interrupt is triggered by the UEINTX register and if the corresponding endpoint interrupt enable bit is set. Cleared by hardware when the interrupt source is served.					

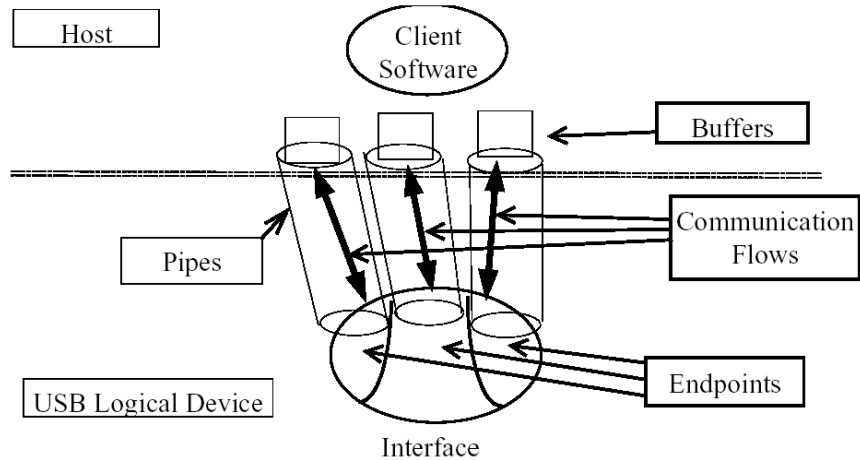
Reset Value = 0000 0000b.

## USB Host Operating Modes

### Pipe Description

For the USB Host controller, the term of Pipe is used instead of Endpoint for the USB Device controller (see Figure 64). A Host Pipe corresponds to a Device Endpoint, as described in the USB specification.

**Figure 64.** Pipes and Endpoints in a USB system



In the USB host controller, a Pipe will be associated to a Device Endpoint, considering the Device Configuration Descriptors.

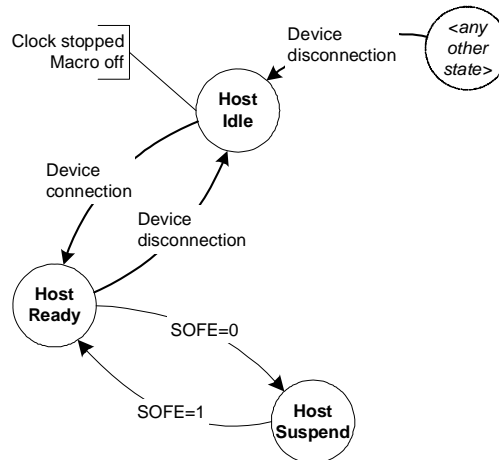
### Detach

The reset value of the DETACH bit is 1. Thus, the firmware has the responsibility of clearing this bit before switching to the Host mode (HOST set).

### Power-on and Reset

Figure 65 shows the USB host controller main states after power-on.

**Figure 65.** USB Host Controller Reset State Machine



USB host controller state after an hardware reset is 'Reset'. When the USB controller is enabled and the USB Host controller is selected, the USB controller is in 'Idle' state. In this state, the USB Host controller waits for the Device connection, **with a minimum power consumption**. The USB Pad should be in Idle mode. The macro does not need to have the PLL activated to enter in 'Host Ready' state.

The Host controller enters in Suspend state when the USB bus is in Suspend state, i.e. when the Host controller doesn't generate the Start of Frame. In this state, the USB consumption is minimum. The Host controller exits to the Suspend state when starting to generate the SOF over the USB line.

## Device Detection

A Device is detected by the USB controller when the USB bus is different from D+ and D- low. In other words, when the USB Host Controller detects the Device pull-up on the D+ line. To enable this detection, the Host Controller has to provide the Vbus power supply to the Device.

The Device Disconnection is detected by the USB Host controller when the USB Idle correspond to D+ and D- low on the USB line.

## Pipe Selection

Prior to any operation performed by the CPU, the Pipe must first be selected. This is done by:

- Clearing PNUMS.
- Setting PNUM with the Pipe number which will be managed by the CPU.

The CPU can then access to the various Pipe registers and data.

In the same manner, if the Pipe must be accessed by the DFC, it must first be selected. This is done by:

- Setting PNUMS.
- Setting PNUM with the Pipe number which will be managed by the DFC.
- Setting DFCDY when the data-flow is ready to take place.

The DFC can then access to the banks (read / write).

The controller internally keeps in memory the PNUM for the CPU and the PNUM for the DFC. In fact, there are 2 PNUM registers multiplexed by the PNUMS bit. Each of them can be read or written by the CPU.

These two registers permits to easily switch from a Pipe under DFC data transfer to the default control Pipe when a SETUP has to be sent, without reprogramming the EPNUM register:

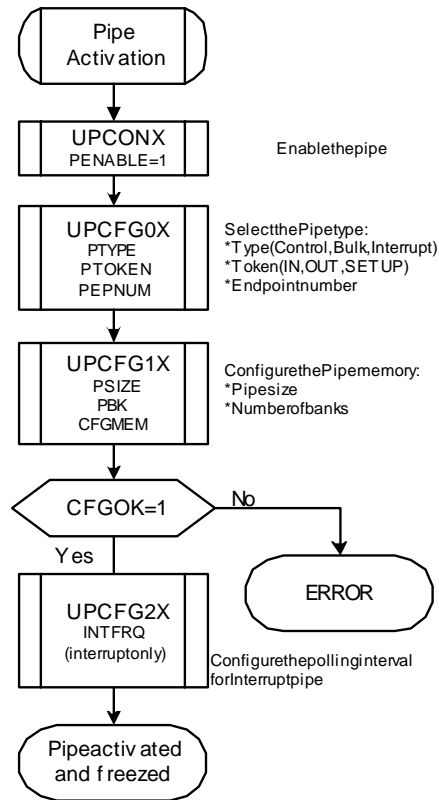
- Set PNUMS,
- PNUM = Pipe<sub>x</sub>
- Set DFCDY when the DFC transfer is ready to take place,
- ...<DFC transfer>...
- SETUP required on Pipe<sub>0</sub>,
- Clear DFCDY to freeze the DFC transfer,
- PNUMS cleared,
- PNUM = Pipe<sub>0</sub>
- Manage Pipe<sub>0</sub> data
- Set DFCDY. This resumes the DFC transfer.



**Pipe Configuration**

The following flow must be respected in order to activate a Pipe:

**Figure 66.** Pipe activation flow:



Once the Pipe is activated (EPEN set) and, the hardware is ready to send requests to the Device.

When configured (CFGOK = 1), only the Pipe Token (PTOKEN) and the polling interval for Interrupt pipe can be modified.

A Control type pipe supports only 1 bank. Any other value will lead to a configuration error (CFGOK = 0).

A clear of PEN will reset the configuration of the Pipe. All the corresponding Pipe registers are reset to their reset values. Please refer to the Memory Management chapter for more details.

Note: The firmware has to configure the Default Control Pipe with the following parameters:

- Type: Control
- Token: SETUP
- Data bank: 1
- Size: 64 Bytes

The firmware asks for 8 bytes of the Device Descriptor sending a GET\_DESCRIPTOR request. These bytes contain the MaxPacketSize of the Device default control endpoint and the firmware re-configures the size of the Default Control Pipe with this size parameter.

## USB Reset

The USB controller sends a USB Reset when the firmware set the RESET bit. The RSTI bit is set by hardware when the USB Reset has been sent. This triggers an interrupt if the RSTE has been set.

When a USB Reset has been sent, all the Pipe configuration and the memory allocation are reset. The General Host interrupt enable register is left unchanged.

If the bus was previously in suspend mode (SOFE = 0), the USB controller automatically switches to the resume mode (HWUPI is set) and the SOFE bit is set by hardware in order to generate SOF immediately after the USB Reset.

## Address Setup

Once the Device has answer to the first Host requests with the default address (0), the Host assigns a new address to the device. The Host controller has to send a USB reset to the device and perform a SET ADDRESS control request, with the new address to be used by the Device. This control request ended, the firmware write the new address into the UHADDR register. All following requests, on every Pipes, will be performed using this new address.

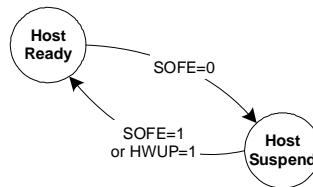
When the Host controller send a USB reset, the UHADDR register is reset by hardware and the following Host requests will be performed using the default address (0).

## Remote Wake-Up Detection

The Host Controller enters in Suspend mode when clearing the SOFE bit. No more Start Of Frame is sent on the USB bus and the USB Device enters in Suspend mode 3ms later.

The Device awakes the Host Controller by sending an Upstream Resume (Remote Wake-Up feature). The Host Controller detects a non-idle state on the USB bus and set the HWUPI bit. If the non-Idle correspond to an Upstream Resume (K state), the RXRSMI bit is set by hardware. The firmware has to generate a downstream resume within 1ms and for at least 20ms by setting the RESUME bit.

Once the downstream Resume has been generated, the SOFE bit is automatically set by hardware in order to generate SOF immediately after the USB resume.



## USB Pipe Reset

The firmware can reset a Pipe using the pipe reset register. The configuration of the pipe and the data toggle remains unchanged. Only the bank management and the status bits are reset to their initial values.

To completely reset a Pipe, the firmware has to disable and then enable the pipe.

## Pipe Data Access

In order to read or to write into the Pipe Fifo, the CPU selects the Pipe number with the UPNUM register and performs read or write action on the UPDATX register.

## Control Pipe Management

A Control transaction is composed of 3 phases:

- SETUP
- Data (IN or OUT)
- Status (OUT or IN)

The firmware has to change the Token for each phase.

The initial data toggle is set for the corresponding token (ONLY for Control Pipe):

- SETUP: Data0
- OUT: Data1
- IN: Data1 (expected data toggle)

## **OUT Pipe Management**

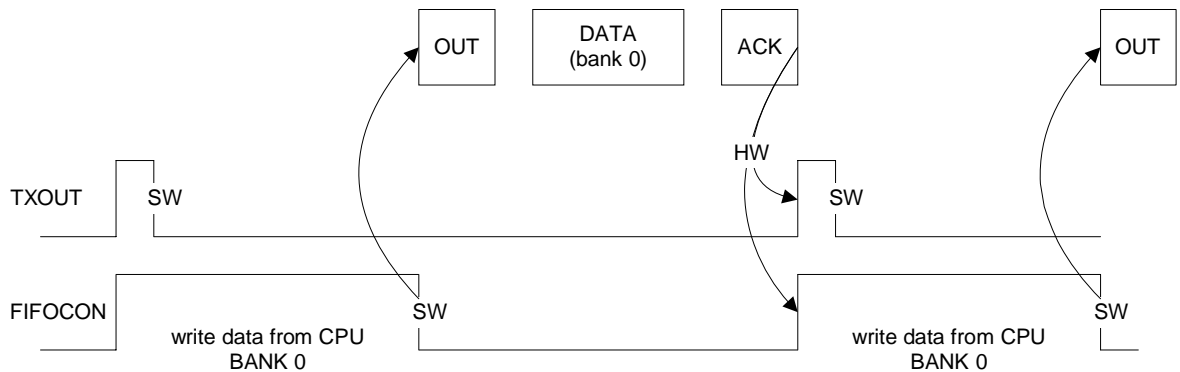
The Pipe must be configured and not frozen first.

Note: if the firmware decides to switch to suspend mode (clear SOFE) even if a bank is ready to be sent, the USB controller will automatically exit from Suspend mode and the bank will be sent.

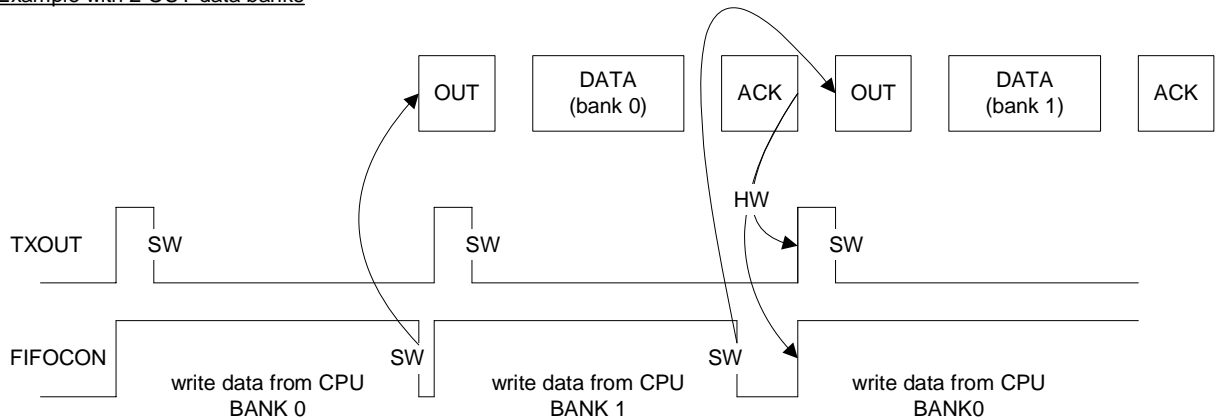
### “Manual” Mode

The TXOUT bit is set by hardware when the current bank becomes free. This triggers an interrupt if the TXOUTE bit is set. The FIFOCON bit is set at the same time. The CPU writes into the FIFO and clears the FIFOCON bit to allow the USB controller to send the data. If the OUT Pipe is composed of multiple banks, this also switches to the next data bank. The TXOUT and FIFOCON bits are automatically updated by hardware regarding the status of the next bank.

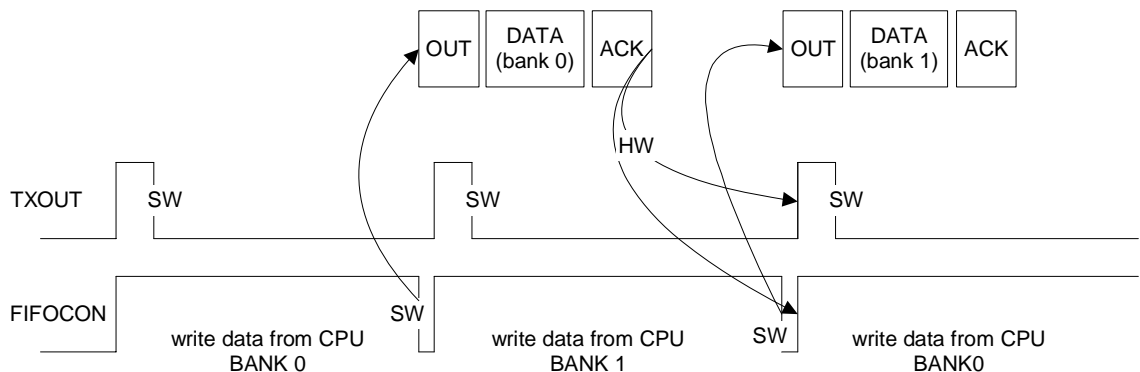
Example with 1 OUT data bank



Example with 2 OUT data banks



Example with 2 OUT data banks



## “Autoswitch” Mode

In this mode, the clear of the FIFOCON bit is performed automatically by hardware each time the Pipe bank is full. The firmware has to check if the next bank is empty or not before writing the next data. On TXOUT interrupt, the firmware fills a complete bank. A new interrupt will be generated each time the current bank becomes free.

## IN Pipe management

The Pipe must be configured first.

## “Manual” Mode

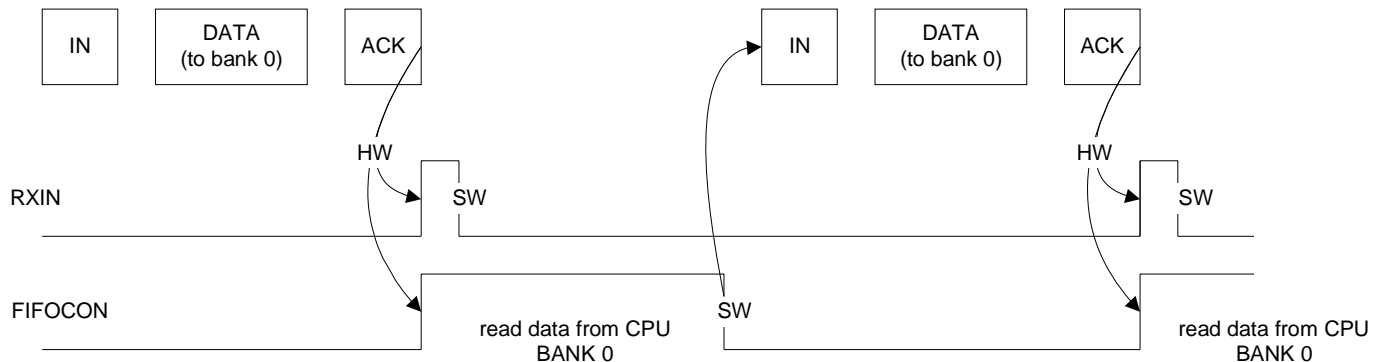
When the Host requires data from the device, the firmware has to determine first the IN mode to use using the INMODE bit:

- INMODE = 0. The INRQX register is taken in account. The Host controller will perform (INRQX+1) IN requests on the selected Pipe before freezing the Pipe. This mode avoids to have extra IN requests on a Pipe.
- INMODE = 1. The USB controller will perform infinite IN request until the firmware freezes the Pipe.

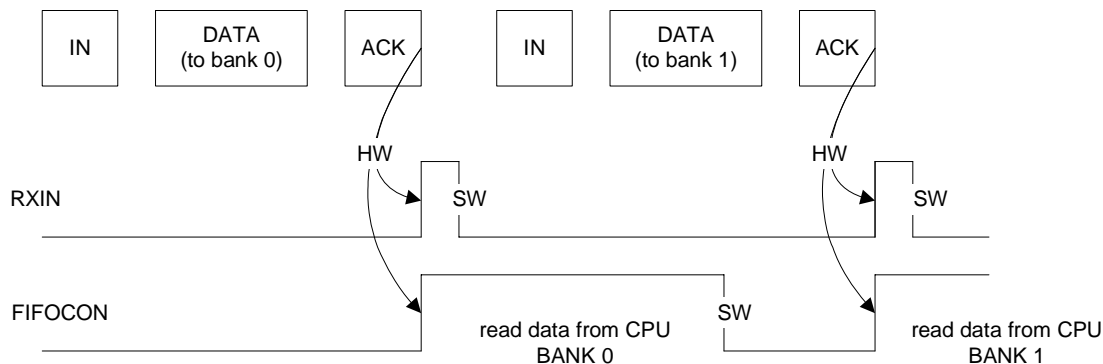
The IN request generation will start when the firmware clear the PFREEZE bit.

Each time the current bank is full, the RXIN and the FIFOCON bits are set. This triggers an interrupt if the RXINE bit is set. The firmware can acknowledge the USB interrupt by clearing the RXIN bit. The Firmware read the data and clear the FIFOCON bit in order to free the current bank. If the IN Pipe is composed of multiple banks, clearing the FIFOCON bit will switch to the next bank. The RXIN and FIFOCON bits are then updated by hardware in accordance with the status of the new bank.

### Example with 1 IN data bank



### Example with 2 IN data banks



### “Autoswitch” Mode

In this mode, the clear of the FIFOCON bit is performed automatically by hardware each time the Pipe bank is empty. The firmware has to check if the next bank is empty or not before reading the next data. On RXIN interrupt, the firmware reads a complete bank. A new interrupt will be generated each time the current bank contains data to read.

The acknowledge of the RXIN interrupt is always performed by software.

### CRC Error (isochronous only)

A CRC error can occur during IN stage if the USB controller detects a bad received packet. In this situation, the STALLEDI/CRCERRI interrupt is triggered. This does not prevent the RXINI interrupt from being triggered.

### Interrupt

Figure 67 shows all the host interrupts sources while Figure 68 details the pipe interrupt sources.

**Figure 67.** USB Host Controller Interrupt System

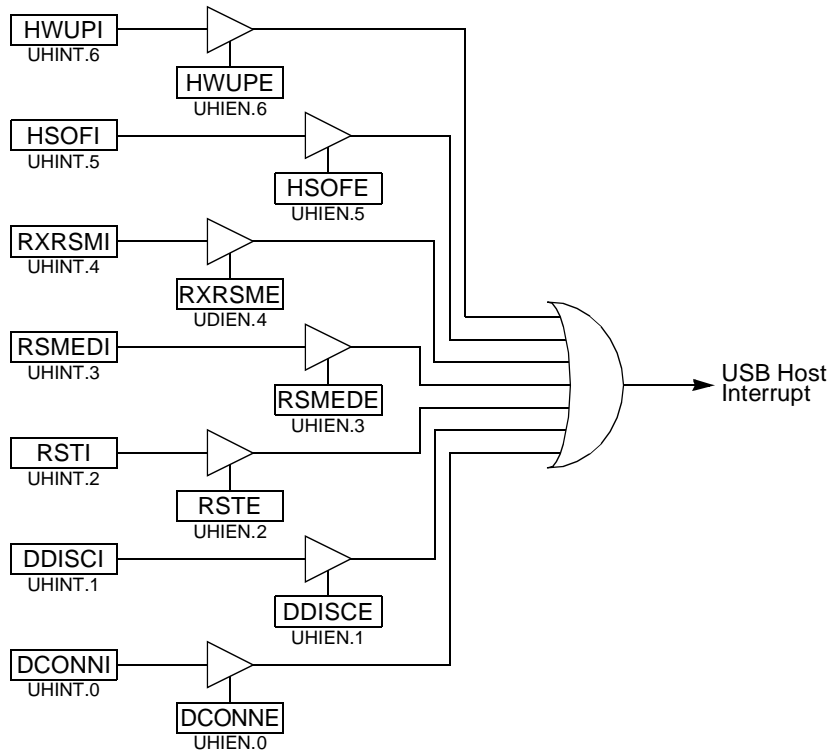
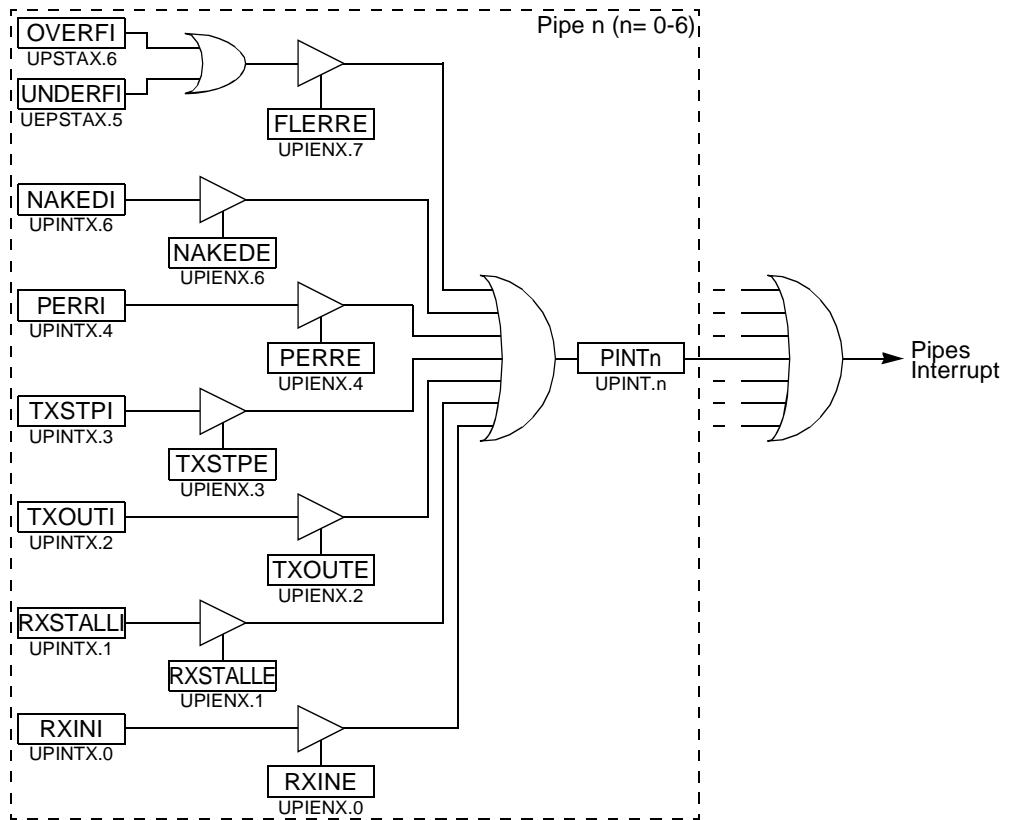


Figure 68. USB Host Controller Pipe Interrupt System



## Registers

### General USB Host Registers

**Table 132.** UHCON Register

UHCON (1.D9h) – USB Host General Control Register

7	6	5	4	3	2	1	0
-	-	-	-	-	RESUME	RESET	SOFE
Bit Number	Bit Mnemonic	Description					
7-3	-	<b>Reserved</b> The value read from these bits is always 0. Do not set these bits.					
2	RESUME	<b>Send USB Resume</b> Set this bit to generate a USB Resume on the USB bus. Cleared by hardware when the USB Resume has been sent. Clearing by software has no effect.					
1	RESET	<b>Send USB Reset</b> Set this bit to generate a USB Reset on the USB bus. Cleared by hardware when the USB Reset has been sent. Clearing by software has no effect. Refer to the USB reset section for more details.					
0	SOFE	<b>Start Of Frame Generation Enable</b> Set this bit to generate SOF on the USB bus. Clear this bit to disable the SOF generation and to leave the USB bus in Idle state.					

Reset Value = 0000 0000b

**Table 133.** UHINT Register

UHINT (1.D8h) – USB Host General Interrupt Register

7	6	5	4	3	2	1	0
-	HWUP	HSON	RXRSMI	RSMEDI	RSTI	DDISCI	DCONNI
Bit Number	Bit Mnemonic	Description					
7	-	<b>Reserved</b> The value read from this bit is always 0. Do not set this bit.					
6	HWUP	<b>Host Wake-Up Interrupt</b> Set by hardware when a non-idle state is detected on the USB bus. Shall be clear by software to acknowledge the interrupt. Setting by software has no effect.					
5	HSON	<b>Host Start Of Frame Interrupt</b> Set by hardware when a SOF is issued by the Host controller. This triggers a USB interrupt when HSON is set. Shall be cleared by software to acknowledge the interrupt. Setting by software has no effect.					



Bit Number	Bit Mnemonic	Description
4	RXRSMI	<b>Upstream Resume Received Interrupt</b> Set by hardware when an Upstream Resume has been received from the Device. Shall be cleared by software. Setting by software has no effect.
3	RSMEDI	<b>Downstream Resume Sent Interrupt</b> Set by hardware when a Downstream Resume has been sent to the Device. Shall be cleared by software. Setting by software has no effect.
2	RSTI	<b>USB Reset Sent Interrupt</b> Set by hardware when a USB Reset has been sent to the Device. Shall be cleared by software. Setting by software has no effect.
1	DDISCI	<b>Device Disconnection Interrupt</b> Set by hardware when the device has been removed from the USB bus. Shall be cleared by software. Setting by software has no effect.
0	DCONNI	<b>Device Connection Interrupt</b> Set by hardware when a new device has been connected to the USB bus. Shall be cleared by software. Setting by software has no effect.

Reset Value = 0000 0000b

**Table 134.** UHIEN Register

UHIEN (1.DAh) – USB Host General Interrupt Enable Register

7	6	5	4	3	2	1	0
-	HWUPE	HSONE	RXRSME	RSMEME	RSTE	DDISCE	DCONNE

Bit Number	Bit Mnemonic	Description
7	-	<b>Reserved</b> The value read from this bit is always 0. Do not set this bit.
6	HWUPE	<b>Host Wake-Up Interrupt Enable</b> Set this bit to enable HWUP interrupt. Clear this bit to disable HWUP interrupt.
5	HSONE	<b>Host Start Of frame Interrupt Enable</b> Set this bit to enable HSOF interrupt. Clear this bit to disable HSOF interrupt.
4	RXRSME	<b>Upstream Resume Received Interrupt Enable</b> Set this bit to enable the RXRSMI interrupt. Clear this bit to disable the RXRSMI interrupt.
3	RSMEME	<b>Downstream Resume Sent Interrupt Enable</b> Set this bit to enable the RSMEDI interrupt. Clear this bit to disable the RSMEDI interrupt.
2	RSTE	<b>USB Reset Sent Interrupt Enable</b> Set this bit to enable the RSTI interrupt. Clear this bit to disable the RSTI interrupt.
1	DDISCE	<b>Device Disconnection Interrupt Enable</b> Set this bit to enable the DDISCI interrupt. Clear this bit to disable the DDISCI interrupt.

Bit Number	Bit Mnemonic	Description
0	DCONNE	<b>Device Connection Interrupt Enable</b> Set this bit to enable the DCONN1 interrupt. Clear this bit to disable the DCONN1 interrupt.

Reset Value = 0000 0000b

**Table 135.** UHADDR Register

UHADDR (1.DBh) – USB Host Address Register

7	6	5	4	3	2	1	0
-	HADDR6	HADDR5	HADDR4	HADDR3	HADDR2	HADDR1	HADDR0

Bit Number	Bit Mnemonic	Description
7	-	<b>Reserved</b> The value read from this bit is always 0. Do not set this bit.
6-0	HADDR6:0	<b>USB Host Address</b> These bits contains the address of the USB Device.

Reset Value = 0000 0000b

**Table 136.** UHFNUMH Register

UHFNUMH (1.DCh) – USB Host Frame Number High Register

7	6	5	4	3	2	1	0
-	-	-	-	-	FNUM10	FNUM9	FNUM8

Bit Number	Bit Mnemonic	Description
7-4	-	<b>Reserved</b> The value read from these bits is always 0. Do not set these bits.
3-0	FNUM10:8	<b>Frame Number</b> The value contained in tis register is the current SOF number. This value can be modified by software.

Reset Value = 0000 0000b

**Table 137.** UHFNUML Register

UHFNUML (1.DDh) – USB Host Frame Number Low Register

7	6	5	4	3	2	1	0
FNUM7	FNUM6	FNUM5	FNUM4	FNUM3	FNUM2	FNUM1	FNUM0
Bit Number	Bit Mnemonic	Description					
7-0	FNUM7:0	<b>Frame Number</b> The value contained in tis register is the current SOF number. This value can be modified by software.					

Reset Value = 0000 0000b

**Table 138.** UHFLEN Register

UHFLEN (1.DEh) – USB Host Frame Length Register

7	6	5	4	3	2	1	0
FLEN7	FLEN6	FLEN5	FLEN4	FLEN3	FLEN2	FLEN1	FLEN0
Bit Number	Bit Mnemonic	Description					
7-0	FLEN7:0	<b>Frame Length</b> The value contained					

Reset Value = 0000 0000b

**USB Host Pipe Registers**

**Table 139.** UPNUM Register

UPNUM (1.C9h) – USB Host Pipe Number Register

7	6	5	4	3	2	1	0
-	-	-	-	-	PNUM2	PNUM1	PNUM0
Bit Number	Bit Mnemonic	Description					
7-3	-	<b>Reserved</b> The value read from these bits is always 0. Do not set these bits.					
2-0	PNUM2:0	<b>Pipe Number</b> Select the pipe using this register. The USB Host registers ended by a X correspond then to this number. This number is used for the USB controller following the value of the PNUMD bit.					

Reset Value = 0000 0000b

**Table 140.** UPRST Register

UPRST (1.CAh) – USB Host Pipe Reset Register

	7	6	5	4	3	2	1	0
	-	P6RST	P5RST	P4RST	P3RST	P2RST	P1RST	P0RST

Bit Number	Bit Mnemonic	Description
7	-	<b>Reserved</b> The value read from this bit is always 0. Do not set this bit.
6	P6RST	<b>Pipe 6 Reset</b> Set this bit to 1 and reset this bit to 0 to reset the Pipe 6.
5	P5RST	<b>Pipe 5 Reset</b> Set this bit to 1 and reset this bit to 0 to reset the Pipe 5.
4	P4RST	<b>Pipe 4 Reset</b> Set this bit to 1 and reset this bit to 0 to reset the Pipe 4.
3	P3RST	<b>Pipe 3 Reset</b> Set this bit to 1 and reset this bit to 0 to reset the Pipe 3.
2	P2RST	<b>Pipe 2 Reset</b> Set this bit to 1 and reset this bit to 0 to reset the Pipe 2.
1	P1RST	<b>Pipe 1 Reset</b> Set this bit to 1 and reset this bit to 0 to reset the Pipe 1.
0	P0RST	<b>Pipe 0 Reset</b> Set this bit to 1 and reset this bit to 0 to reset the Pipe 0.

Reset Value = 0000 0000b

**Table 141.** UPCONX Register

UPCONX (1.CBh) – USB Host Pipe Control Register

	7	6	5	4	3	2	1	0
	-	PFREEZE	INMODE	AUTOSW	RSTDT	PNUM	DFCRDY	PEN

Bit Number	Bit Mnemonic	Description
7	-	<b>Reserved</b> The value read from this bit is always 0. Do not set this bit.
6	PFREEZE	<b>Pipe Freeze</b> Set this bit to Freeze the Pipe requests generation. Clear this bit to enable the Pipe request generation. This bit is set by hardware when: - the pipe is not configured - a STALL handshake has been received on this Pipe - An error occurs on the Pipe (PERR = 1) - (INRQ+1) In requests have been processed This bit is set at 1 by hardware after a Pipe reset or a Pipe enable.

Bit Number	Bit Mnemonic	Description
5	INMODE	<b>IN Request mode</b> Set this bit to allow the USB controller to perform infinite IN requests when the Pipe is not frozen. Clear this bit to perform a pre-defined number of IN requests. This number is stored in the UINRQX register.
4	AUTOSW	<b>Auto Switch Bank</b> Set this bit to allow the auto switch bank mode for this Pipe. Clear this bit to otherwise.
3	RSTDT	<b>Reset Data Toggle</b> Set this bit to reset the Data Toggle to its initial value for the current Pipe. Cleared by hardware when proceed. Clearing by software has no effect.
2	PNUMS	<b>Pipe Number Select Bit</b> Set to configure the PNUM used by the DFC. Clear to configure the PNUM used by the CPU.
1	DFCRDY	<b>DFC Ready Bit</b> Set to resume/enable the DFC interface. Clear to pause the DFC interface.
0	PEN	<b>Pipe Enable</b> Set to enable the Pipe. Clear to disable and reset the Pipe.

Reset Value = 0000 0000b

**Table 142.** UPCFG0X Register

UPCFG0X (1.CCh) – USB Pipe Configuration 0 Register

7	6	5	4	3	2	1	0
PTYPE1	PTYPE0	PTOKEN1	PTOKEN0	PEPNUM3	PEPNUM2	PEPNUM1	PEPNUM0
Bit Number	Bit Mnemonic	Description					
7-6	PTYPE1:0	<b>Pipe Type</b> Select the type of the Pipe: - 00: Control - 01: Isochronous - 10: Bulk - 11: Interrupt					
5-4	PTOKEN1:0	<b>Pipe Token</b> Select the Token to associate to the Pipe: - 00: SETUP - 01: IN - 10: OUT - 11: reserved					
3-0	PEPNUM3:0	<b>Pipe Endpoint Number</b> Set this field according to the Pipe configuration. Set the number of the Endpoint targeted by the Pipe. This value is from 0 and 15.					

Reset Value = 0000 0000b



**Table 143.** UPCFG1X Register

UPCFG1X (1.CDh) – USB Pipe Configuration 1 Register

7	6	5	4	3	2	1	0
-	PSIZE2	PSIZE1	PSIZE0	PBK1	PBK0	ALLOC	-
Bit Number	Bit Mnemonic	Description					
7	-	<b>Reserved</b> The value read from this bit is always 0. Do not set this bit.					
6-4	PSIZE2:0	<b>Pipe Size</b> Select the size of the Pipe: - 000: 8 - 001: 16 - 010: 32 - 011: 64 - 100: 128 - 101: 256 - 110: 512 - 111: 1024					
3-2	PBK1:0	<b>Pipe Bank</b> Select the number of bank to declare for the current Pipe. - 00: 1 bank - 01: 2 banks - 10: invalid - 11: invalid					
1	ALLOC	<b>Configure Pipe Memory</b> Set to configure the pipe memory with the characteristics. Clear to update the memory allocation. Refer to the Memory Management chapter for more details.					
0	-	<b>Reserved</b> The value read from these bits is always 0. Do not set these bits.					

Reset Value = 0000 0000b

**Table 144.** UPCFG2X Register

UPCFG2X (1.CFh) – USB Pipe Configuration 2 Register

7	6	5	4	3	2	1	0
INTFRQ7	INTFRQ6	INTFRQ5	INTFRQ4	INTFRQ3	INTFRQ2	INTFRQ1	INTFRQ0
Bit Number	Bit Mnemonic	Description					
7-0	INTFRQ7:0	<b>Interrupt Pipe Request Frequency</b> These bits are the maximum value in millisecond of the pulling period for an Interrupt Pipe. This value has no effect for a non-Interrupt Pipe.					

Reset Value = 0000 0000b

**Table 145.** UPSTAX Register

UPSTAX (1.CEh) – USB Pipe Status Register

7	6	5	4	3	2	1	0
CFGOK	OVERFI	UNDERFI	-	DTSEQ1	DTSEQ0	NBUSYBK1	NBUSYBK0
Bit Number	Bit Mnemonic	Description					
7	CFGOK	<b>Configure Pipe Memory OK</b> Set by hardware if the required memory configuration has been successfully performed. Cleared by hardware when the pipe is disabled. The USB reset and the reset pipe have no effect on the configuration of the pipe.					
6	OVERFI	<b>Overflow</b> Set by hardware when a the current Pipe has received more data than the maximum length of the current Pipe. An interrupt is triggered if the FLERRE bit is set. Shall be cleared by software. Setting by software has no effect.					
5	UNDERFI	<b>Underflow</b> Set by hardware when a transaction underflow occurs in the current isochronous or interrupt Pipe. The Pipe can't send the data flow required by the device. A ZLP will be sent instead. An interrupt is triggered if the FLERRE bit is set. Shall be cleared by software. Setting by software has no effect. Note: the Host controller has to send a OUT packet, but the bank is empty. A ZLP will be sent and the UNDERFI bit is set underflow for interrupt Pipe:					
4	-	<b>Reserved</b> The value read from this bit is always 0. Do not set this bit.					
3-2	DTSEQ1:0	<b>Toggle Sequencing Flag</b> Set by hardware to indicate the PID data of the current bank: 00bData0 01bData1 1xbReserved. For OUT Pipe, this value indicates the next data toggle that will be sent. This is not relative to the current bank. For IN Pipe, this value indicates the last data toggle received on the current bank.					
1-0	NBUSYBK1:0	<b>Busy Bank Flag</b> Set by hardware to indicate the number of busy bank. For OUT Pipe, it indicates the number of busy bank(s), filled by the user, ready for OUT transfer. For IN Pipe, it indicates the number of busy bank(s) filled by IN transaction from the Device. 00bAll banks are free 01b1 busy bank 10b2 busy banks 11bReserved.					

Reset Value = 0000 0000b



**Table 146.** UPINRQX Register

UPINRQX (1.DFh) – USB Pipe IN Number Of Request Register

7	6	5	4	3	2	1	0
INRQ7	INRQ6	INRQ5	INRQ4	INRQ3	INRQ2	INRQ1	INRQ0
Bit Number	Bit Mnemonic	Description					
7-0	INRQ7:0	<b>IN Request Number Before Freeze</b> Enter the number of IN transactions before the USB controller freezes the pipe. The USB controller will perform (INRQ+1) IN requests before to freeze the Pipe. This counter is automatically decreased by 1 each time a IN request has been successfully performed.					

Reset Value = 0000 0000b

**Table 147.** UPERRX Register

UPERRX (1.D7h) – USB Pipe Error Register

7	6	5	4	3	2	1	0
-	COUNTER1	COUNTER0	CRC16	TIMEOUT	PID	DATAPID	DATATGL
Bit Number	Bit Mnemonic	Description					
7-6	-	<b>Reserved</b> The value read from these bits is always 0. Do not set these bits.					
5	COUNTER1:0	<b>Error counter</b> This counter is increased by the USB controller each time an error occurs on the Pipe. When this value reaches 3, the Pipe is automatically frozen. Clear these bits by software.					
4	CRC16	<b>CRC16 Error</b> Set by hardware when a CRC16 error has been detected. Shall be cleared by software. Setting by software has no effect.					
3	TIMEOUT	<b>Time-out Error</b> Set by hardware when a time-out error has been detected. Shall be cleared by software. Setting by software has no effect.					
2	PID	<b>PID Error</b> Set by hardware when a PID error has been detected. Shall be cleared by software. Setting by software has no effect.					
1	DATAPID	<b>Data PID Error</b> Set by hardware when a data PID error has been detected. Shall be cleared by software. Setting by software has no effect.					
0	DATATGL	<b>Bad Data Toggle</b> Set by hardware when a data toggle error has been detected. Shall be cleared by software. Setting by software has no effect.					

Reset Value = 0000 0000b



**Table 148.** UPINTX Register

UPINTX (1.C8h) – USB Pipe Interrupt Register

7	6	5	4	3	2	1	0
FIFOCON	NAKEDI	RWAL	PERRI	TXSTPI	TXOUTI	RXSTALLI	RXINI
Bit Number	Bit Mnemonic	Description					
7	FIFOCON	<p><b>FIFO Control</b>            For OUT and SETUP Pipe:            Set by hardware when the current bank is free, at the same time than TXOUT or TXSTP.            Clear to send the FIFO data and to switch the bank. Setting by software has no effect.</p> <p>For IN Pipe:            Set by hardware when a new IN message is stored in the current bank, at the same time than RXIN.            Clear to free the current bank and to switch to the following bank. Setting by software has no effect.</p>					
6	NAKEDI	<p><b>NAK Handshake received</b>            Set by hardware when a NAK has been received on the current bank of the Pipe. This triggers an interrupt if the NAKEDI bit is set in the UPIENX register. Shall be clear to handshake the interrupt. Setting by software has no effect.</p>					
5	RWAL	<p><b>Read/Write Allowed</b>            OUT Pipe:            Set by hardware when the firmware can write a new data into the Pipe FIFO. Cleared by hardware when the current Pipe FIFO is full.</p> <p>IN Pipe:            Set by hardware when the firmware can read a new data into the Pipe FIFO. Cleared by hardware when the current Pipe FIFO is empty.            This bit is also cleared by hardware when the RXSTALL or the PERR bit is set</p>					
4	PERRI	<p><b>PIPE Error</b>            Set by hardware when an error occurs on the current bank of the Pipe. This triggers an interrupt if the PERRI bit is set in the UPIENX register. Refers to the UPERRX register to determine the source of the error.            Automatically cleared by hardware when the error source bit is cleared.</p>					
3	TXSTPI	<p><b>SETUP Bank ready</b>            Set by hardware when the current SETUP bank is free and can be filled. This triggers an interrupt if the TXSTPI bit is set in the UPIENX register. Shall be cleared to handshake the interrupt. Setting by software has no effect.</p>					
2	TXOUTI	<p><b>OUT Bank ready</b>            Set by hardware when the current OUT bank is free and can be filled. This triggers an interrupt if the TXOUTI bit is set in the UPIENX register. Shall be cleared to handshake the interrupt. Setting by software has no effect.</p>					
1	RXSTALLI / CRCERR	<p><b>STALL Received / Isochronous CRC Error</b>            Set by hardware when a STALL handshake has been received on the current bank of the Pipe. The Pipe is automatically frozen. This triggers an interrupt if the RXSTALLI bit is set in the UPIENX register. Shall be cleared to handshake the interrupt. Setting by software has no effect.</p> <p>For Isochronous Pipe:            Set by hardware when a CRC error occurs on the current bank of the Pipe. This triggers an interrupt if the TXSTPI bit is set in the UPIENX register. Shall be cleared to handshake the interrupt. Setting by software has no effect.</p>					

Bit Number	Bit Mnemonic	Description
0	RXINI	<b>IN Data received</b> Set by hardware when a new USB message is stored in the current bank of the Pipe. This triggers an interrupt if the RXINE bit is set in the UPIENX register. Shall be cleared to handshake the interrupt. Setting by software has no effect.

Reset Value = 0000 0000b

**Table 149.** UPIENX Register

UPIENX (1.D2h) – USB Pipe Interrupt Enable Register

7	6	5	4	3	2	1	0
FLERRE	NAKEDE	-	PERRE	TXSTPE	TXOUTE	RXSTALLE	RXINE

Bit Number	Bit Mnemonic	Description
7	FLERRE	<b>Flow Error Interrupt enable</b> Set to enable the OVERFI and UNDERFI interrupts. Clear to disable the OVERFI and UNDERFI interrupts.
6	NAKEDE	<b>NAK Handshake Received Interrupt Enable</b> Set to enable the NAKEDI interrupt. Clear to disable the NAKEDI interrupt.
5	-	<b>Reserved</b> The value read from this bit is always 0. Do not set this bit.
4	PERRE	<b>PIPE Error Interrupt Enable</b> Set to enable the PERRI interrupt. Clear to disable the PERRI interrupt.
3	TXSTPE	<b>SETUP Bank ready Interrupt Enable</b> Set to enable the TXSTPI interrupt. Clear to disable the TXSTPI interrupt.
2	TXOUTE	<b>OUT Bank ready Interrupt Enable</b> Set to enable the TXOUTI interrupt. Clear to disable the TXOUTI interrupt.
1	RXSTALLE	<b>STALL Received Interrupt Enable</b> Set to enable the RXSTALLI interrupt. Clear to disable the RXSTALLI interrupt.
0	RXINE	<b>IN Data received Interrupt Enable</b> Set to enable the RXINI interrupt. Clear to disable the RXINI interrupt.

Reset Value = 0000 0000b

**Table 150.** UPDATX Register

UPDATX (1.D3h) – USB Pipe Data Register

7	6	5	4	3	2	1	0
PDAT7	PDAT6	PDAT5	PDAT4	PDAT3	PDAT2	PDAT1	PDAT0

Bit Number	Bit Mnemonic	Description
7-0	PDAT7:0	<b>Pipe Data Bits</b> Set by the software to read/write a byte from/to the Pipe FIFO selected by PNUM.

Reset Value = 0000 0000b

**Table 151.** UPBCHX Register

UPBCHX (1.D4h) – USB Pipe Data Counter High Register

7	6	5	4	3	2	1	0
-	-	-	-	-	PBYCT10	PBYCT9	PBYCT8

Bit Number	Bit Mnemonic	Description
7-3	-	<b>Reserved</b> The value read from these bits is always 0. Do not set these bits.
2-0	PBYCT10:8	<b>Byte count (high) Bits</b> Set by hardware. This field is the MSB of the byte count of the FIFO endpoint. The LSB part is provided by the UPBCLX register.

Reset Value = 0000 0000b

**Table 152.** UPBCLX Register

UPBCLX (1.D5h) – USB Pipe Data Counter Low Register

7	6	5	4	3	2	1	0
PBYCT7	PBYCT6	PBYCT5	PBYCT4	PBYCT3	PBYCT2	PBYCT1	PBYCT0

Bit Number	Bit Mnemonic	Description
7-0	PBYCT7:0	<b>Byte Count (low) Bits</b> Set by the hardware. PBYCT10:0 is: - (for OUT Pipe) increased after each writing into the Pipe and decremented after each byte sent, - (for IN Pipe) increased after each byte received by the host, and decremented after each byte read by the software.

Reset Value = 0000 0000b

**Table 153.** UPINT Register

UPINT (1.D6h) – USB Pipe IN Number Of Request Register

7	6	5	4	3	2	1	0
-	PINT6	PINT5	PINT4	PINT3	PINT2	PINT1	PINT0
Bit Number	Bit Mnemonic	Description					
7	-	<b>Reserved</b> The value read from this bit is always 0. Do not set this bit.					
6-0	PINT6:0	<b>Pipe Interrupts Bits</b> Set by hardware when an interrupt is triggered by the UPINTX register and if the corresponding endpoint interrupt enable bit is set. Cleared by hardware when the interrupt source is served.					

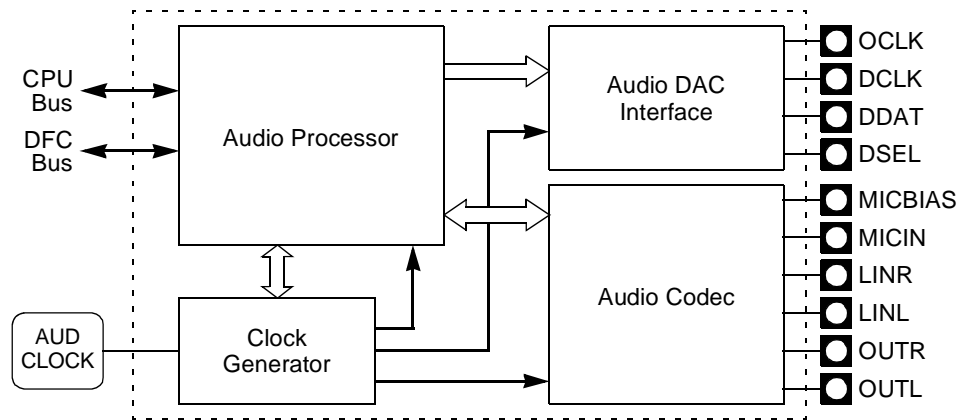
Reset Value = 0000 0000b

## Audio Controller

The Audio Controller embedded in AT85C51SND3Bx is based on four functional blocks detailed in the following sections:

- The Clock Generator
- The Audio Processor
- The Audio Codec
- The Audio DAC Interface

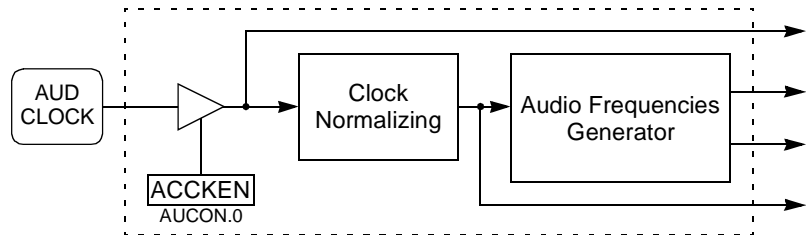
**Figure 69.** Audio Controller Block Diagram



## Clock Generator

The clock generator generates the audio controller clocks based on the audio clock issued by the clock controller as detailed in Section “System Clock Generator”, page 29. As shown in Figure 70, it contains an Audio Frequencies Generator able to generate the audio sampling and over-sampling frequencies fed by a normalized clock. This generator is based on a PLL and is entirely controlled by the audio processor depending on the encoded or decoded audio stream characteristics.

**Figure 70.** Audio Controller Clock Generator

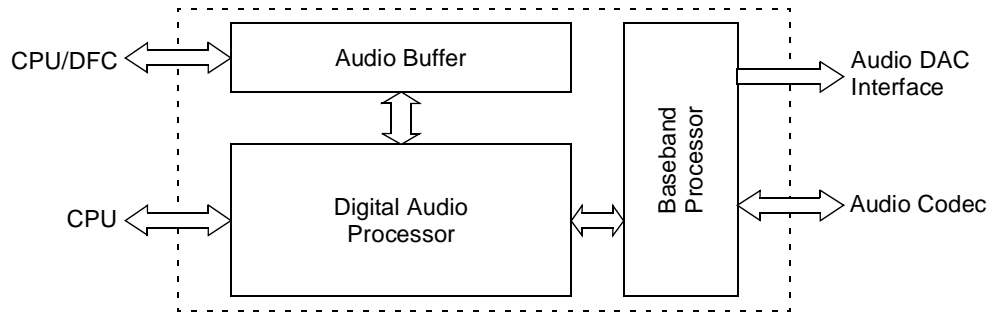


## Audio Processor

The audio processor is based on three functional blocks as shown in Figure 71.

- The Audio Buffer
- The Digital Audio Processor
- The Baseband Processor

**Figure 71. Audio Processor Block Diagram**



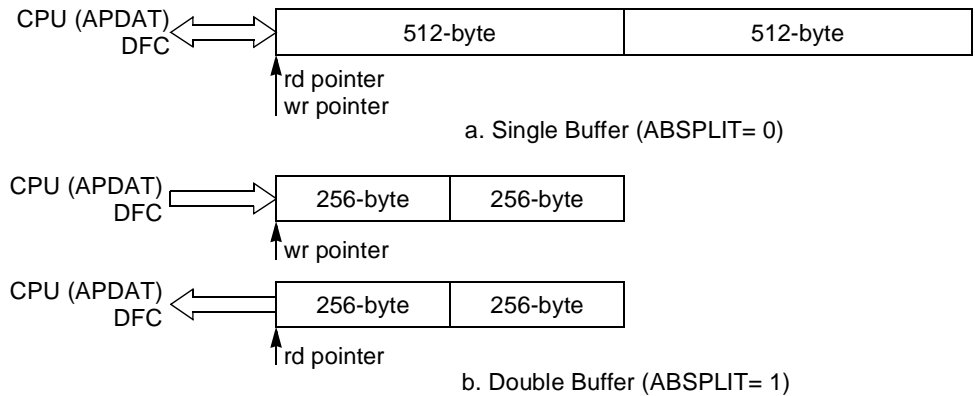
## Audio Buffer

The audio buffer receives the audio data flow coming from DFC or the C51. It is based on 1 Kbyte of dual-port RAM.

### Buffer Description

The audio buffer can be accessed in read or write mode by both C51 and DFC. Access selection is done by the ABACC bit in APCON1. Considering the DFC, two channels can be established at the same time one in which the audio processor is the source and one in which the audio processor is the destination. To achieve such scheme, the audio buffer can be configured using ABSPLIT in APCON1 as one (see Figure 72a) or two (see Figure 72b) buffers, each containing two data packets of 512 or 256 bytes size.

**Figure 72. Audio Buffer Configuration**



Internal read or write pointers can be reset at any time by setting respectively ABRPR and ABWPR bits in APCON1. These bits are automatically reset by hardware.

### Buffer Management

The C51 reads from or writes to the buffer through the APDAT register. Management is controlled by a couple of flags informing the user that data can be written to the buffer or read from the buffer depending on the current operation.

In case of write (audio stream decoding or codec firmware update) APREQI flag in APINT is set every time a data packet (256 or 512 bytes) can be written to the buffer i.e. buffer empty or half full. APREQI is cleared when the buffer becomes full.

In case of read (audio stream encoding) APRDYI flag in APINT is set every time a data packet (256 or 512 bytes) can be retrieved from the buffer i.e. buffer full or half full. APRDYI is cleared when the buffer becomes empty.

These flags can generate an interrupt when APREQE bit and APRDYE bit in APIEN are respectively set (see Section "Interrupts").

In order to avoid any spurious interrupts on the CPU side when a data transfer with the data flow controller is established, APREQE and APRDYE must be left cleared.

## **Digital Audio Processor**

The digital audio processor is based on a proprietary digital signal processor. It provides capability to decode many digital audio formats like MP3, WMA, G726, RAW PCM... and to encode some digital audio formats like G726, RAW PCM...

### *Processor Initialization*

Prior to enable the digital audio processor by setting the DAPEN bit in APCON1<sup>(1)</sup>, the C51 must load the processor codec firmware which is the stream decoder or encoder. This can be achieved by setting APLOAD<sup>(2)</sup> bit in APCON1 and loading data using the C51 (through APDAT) or the DFC as detailed in the Section "Audio Buffer". As soon as the codec firmware is fully loaded, the digital audio processor can be enabled with the effect to start the codec execution. Then the audio stream type that can be decoded or encoded depends on the codec firmware loaded.

Note:    1. Clearing DAPEN bit resets the code writing pointer address to 0000h.  
          2. Toggling APLOAD bit leaves the code writing pointer address unchanged.

### *Processor Interface*

The C51 interfacing the processor through 3 registers: APCON0 by using APCMD6:0 bits, APSTA and APINT by using APEVTI bit. APCMD field is used to send commands to the processor while APSTA and APEVTI are used by the processor to trigger an event or give a status to the C51. Command and status relies on the processor codec firmware and are beyond the scope of this document.

### *Play Time*

In order to allow time stamping in case of synchronized lyrics (karaoke mode), a 24-bit time stamp is provided by APTIM2:0 registers with APTIM2 being the MSB and APTIM0 being the LSB. Time unit is millisecond.

Getting the time value is done by reading first APTIM0, then APTIM1 and APTIM2. The counter value is latched during read sequence, avoiding bad reading if increment occurs.

Initializing the time value is done by writing first APTIM0, then APTIM1 and APTIM2. The counter is updated after writing last time stamp byte APTIM2.

Time value is automatically updated by the audio processor in case of fast forward/rewind operating mode. Time value is reset when operating mode switches from Stop to Play mode and frozen when in Pause mode.

### *Audio Stream Interface*

Every codec firmwares (decoder or encoder) share a set of registers allowing to perform configuration and control and to get status from the decoding or encoding process. This set of registers is composed of ASCON, the audio stream control register and ASSTA0 ASSTA1 and ASSTA2, the audio stream status registers. The content of these registers depends on the codec firmware loaded and are beyond the scope of this document.

## **Baseband Processor**

Several digital baseband treatments can be applied to the digital audio signal immediately before internal or external D/A conversion:

- Digital volume control
- 3-bands equalizer
- Bass boost effect
- Virtual surround effect
- Mixing mode

The baseband processor is enabled by setting BPEN bit in AUCON. When disabled (BPEN bit cleared) all of the above treatments are disabled.

### Digital Volume Control

The digital volume is controlled separately on right and left channel by setting the DVR4:0 and DVL4:0 bits respectively in APRDVOL and APLDVOL according to Table 154.

**Table 154.** Digital Volume Control Gain

DVx4:0	Gain Value	DVx4:0	Gain Value	DVx4:0	Gain Value
00000	+6 dB	01011	-16dB	10110	-38 dB
00001	+4 dB	01100	-18 dB	10111	-40 dB
00010	+2 dB	01101	-20 dB	11000	-42 dB
00011	+0 dB	01110	-22 dB	11001	-44 dB
00100	-2 dB	01111	-24 dB	11010	-46 dB
00101	-4 dB	10000	-26 dB	11011	-48 dB
00110	-6 dB	10001	-28 dB	11100	-50 dB
00111	-8 dB	10010	-30 dB	11101	-52 dB
01000	-10 dB	10011	-32 dB	11110	-54 dB
01001	-12 dB	10100	-34 dB	11111	Mute <sup>(1)</sup>
01010	-14 dB	10101	-36 dB		

Note: 1. When DVR4:0 and DVL4:0 are set to mute, audio processor is still sending data to the audio codec or the audio interface with data set to the corresponding 0 value.

### Equalizer Volume Control

A 3-band equalizer control is provided for tone adjustment or predefined tone shapes like classic, jazz, rock...

The equalizer gain is controlled in each band by programming DVB4:0 in APBDVOL for the bass band, DVM4:0 in APMDVOL for the medium band and DVT4:0 in APTDVOL for the treble band according to Table 154. Cut frequencies are defined in Table 155.

In order to optimize the power consumption, the 3-band equalizer can be disabled by setting EQU DIS in AUCON. In this case the band gain control is saved but no filtering is applied.

**Table 155.** Equalizer Band Frequency

Band	Frequencies
Bass	$F < 750 \text{ Hz}$
Medium	$750 \text{ Hz} < F < 3300 \text{ Hz}$
Treble	$F > 3300 \text{ Hz}$

### Bass Boost Effect

A bass boost effect can be established by setting BBOOST bit in AUCON. It consists in a gain increase of +6 dB in the frequency range under 200 Hz.

### Virtual surround Effect

A virtual surround effect can be established by setting VSURND bit in AUCON. It consists in applying a spatial effect to sound on both right and left channels.

### Equalizer Bar-Graph

An 8-band bar-graph equalizer allows dynamic audio volume report inside 8 frequency bands. To read the level of each band, first select the band by setting the EQBS2:0 bits in APEBS from 000b (lowest frequency band) to 111b (highest frequency band) then get the 5-bit band level by reading EQLEV4:0 bits in APELEV.



*Mixing Mode*

A mixing mode can be established by setting MIXEN bit in AUCON. It consists in mixing the ADC output coming from microphone or line-in inputs with the output coming from the audio processor before feeding the internal or external audio DAC.

*Signal Clipping*

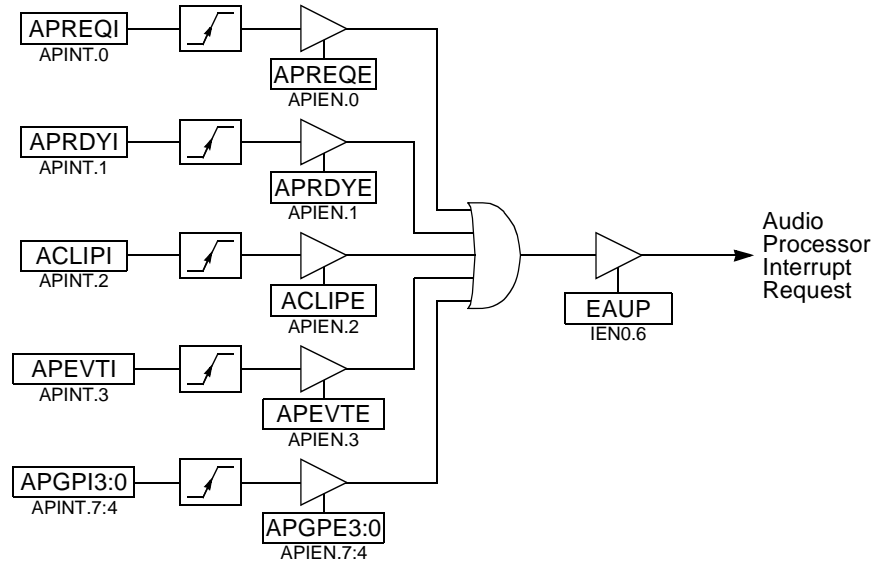
When volume controls (global + equalizer + bass boost) leads to signal saturation, output signal is clipped and ACLIPI flag is set in APINT. In such case, strategy to reduce volume is under user's firmware responsibility. ACLIPI flag can generate an interrupt by setting ACLIPE bit in APIEN.

**Interrupts**

As shown in Figure 73, the audio processor interrupt request is generated by 8 different sources: the APREQI, APRDYI, ACLIPI and APGPI4:0 flags in APINT. Both sources can be enabled separately by using the APREQE, APRDYE, ACLIPE and APGPE4:0 bits in APIEN. A global enable of the audio processor interrupt is provided by setting the EAUP bit in IEN0 register.

The interrupt is requested each time one of the sources is asserted.

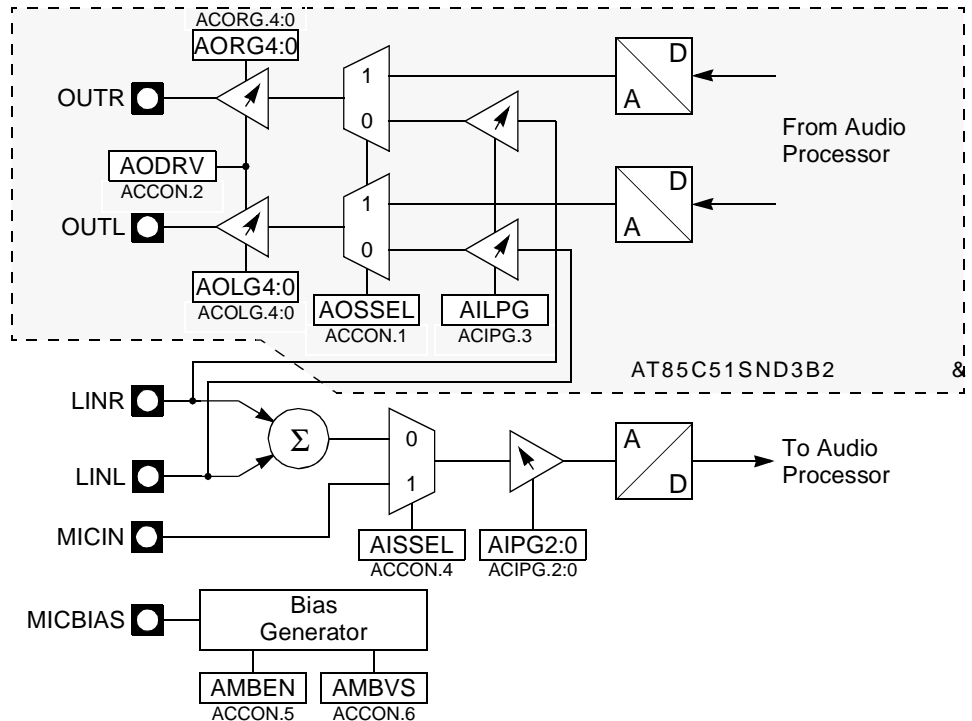
**Figure 73.** Audio Processor Interrupt System



## Audio Codec

The audio codec is controlled by four registers as detailed in Figure 74:

**Figure 74.** Audio Codec Block Diagram



### Audio Outputs AT85C51SND3B2 & AT85C51SND3B3

The audio output system of AT85C51SND3B2 & AT85C51SND3B3 is based on a pair of sigma-delta D/A converter used to convert the audio data with high linearity and high S/N. It is enabled by setting the AOEN bit in ACCON (see Table 177). Audio input system features are detailed in the following sections.

### Anti-Pop Circuitry

In order to avoid any noise when enabling the audio output system an anti-pop circuitry has been implemented on the audio outputs (OUTR and OUTL). It consists in a discharge circuit controlled by AODIS bit in ACAUX (see Table 178) and a preload circuit controlled by AOPRE bit in ACAUX. Prior to enable the audio output system, user must take care to discharge then charge the audio outputs.

### Output Sources

The audio output source can come from either the audio processor or the stereo lines Inputs sources. The selection of the source is done by setting or clearing the AOSSEL bit in ACCON according to Table 156.

**Table 156.** Audio Codec Output Source Selection

AOSSEL	Selection
0	Line Input (stereo)
1	Audio Processor (mono or stereo) <sup>(1)</sup>

Note: 1. Stereo or mono choice is done by the audio processor depending on the audio flow under decoding.

### Output Gain Control

Analog volume is controlled separately on both channel by setting the AORG4:0 bits in ACORG for the right channel and the AOLG4:0 bits in ACOLG for the left channel. Table 157 shows the gain value versus the programmed AORG or AOLG value.

**Table 157.** Audio Codec Output Gain

AORG4:0 AOLG4:0	Gain Value	AORG4:0 AOLG4:0	Gain Value	AORG4:0 AOLG4:0	Gain Value
00000	6 dB	00111	-8 dB	01110	-22 dB
00001	4 dB	01000	-10 dB	01111	-24 dB
00010	2 dB	01001	-12 dB	10000	-26 dB
00011	0 dB	01010	-14 dB	10001	-28 dB
00100	-2 dB	01011	-16 dB	10010	-30 dB
00101	-4 dB	01100	-18 dB	≥ 10011	Mute
00110	-6 dB	01101	-20 dB		

*Output Drive Control*

Output buffers can operate in two modes depending on the power supply voltage. These are low impedance or high impedance modes. The low impedance mode is only available in high power supply configuration and allows to drive a typical 32 Ω stereo headphone, while the high impedance mode is available in low or high voltage power supply configurations and allows to drive a typical 50 KΩ stereo amplifier. Control is done by setting or clearing AODRV bit in ACCON according to Table 158.

**Table 158.** Audio Codec Output Drive Selection

AODRV	Drive Selection
0	Low/high voltage 50 KΩ drive
1	High voltage 32 Ω drive

**Audio Inputs**

The audio input system is based on a single sigma-delta A/D converter provided for mono recording. It is enabled by setting the AIEN bit in ACCON. Audio input system features are detailed in the following sections.

*Inputs Sources*

The audio input source can come from either an electret type microphone input or the stereo lines inputs sources. The selection of the source is done by setting or clearing the AISSEL bit in ACCON according to Table 159. When line inputs are selected as audio input source, stereo channels are combined together in a mono signal prior to feed the preamplifier.

**Table 159.** Audio Codec Input Source Selection

AISSEL	Selection
0	Line Inputs
1	Microphone Input

*Audio Input Preamplifier Gain*

The signals coming from audio inputs goes through a preamplifier to adapt levels prior to feed the A/D converter. The preamplifier gain is controlled by AIPG2:0 bits in ACIPG according to Table 160.

**Table 160.** Audio Codec Input Preamplifier Gain

AIPG2:0	Gain Value	AIPG2:0	Gain Value	AIPG2:0	Gain Value
000	0 dB	010	+12 dB	100	+24 dB

AIPG2:0	Gain Value	AIPG2:0	Gain Value	AIPG2:0	Gain Value
001	+6 dB	011	+18 dB	≥ 101	Reserved

### Line Inputs Preamplifier Gain

In AT85C51SND3B2 & AT85C51SND3B3, when Line Inputs are selected as output source (e.g. FM decoder playback) two preamplifier gain values can be applied by setting or clearing AILPG bit in ACIPG according to Table 161.

**Table 161.** Audio Codec Line Inputs Preamplifier Gain

AILPG	Gain Value
0	+6 dB
1	+12 dB

### Microphone Bias

In addition, voltage supply function for an electret type microphone is integrated delivering High bias (1.5V) or low bias (2v) voltage. The high bias voltage output is only available in high power supply configuration, while the low bias voltage output is available in low or high voltage power supply configurations. Bias voltage output is selected by AMBSEL bit in ACCON according to Table 163 and is enabled by AMBEN bit in ACCON according to Table 162.

**Table 162.** Audio Codec Microphone Bias Control

AMBEN	Control
0	Microphone bias output disabled
1	Microphone bias output enabled

**Table 163.** Audio Codec Microphone Bias Voltage Selection

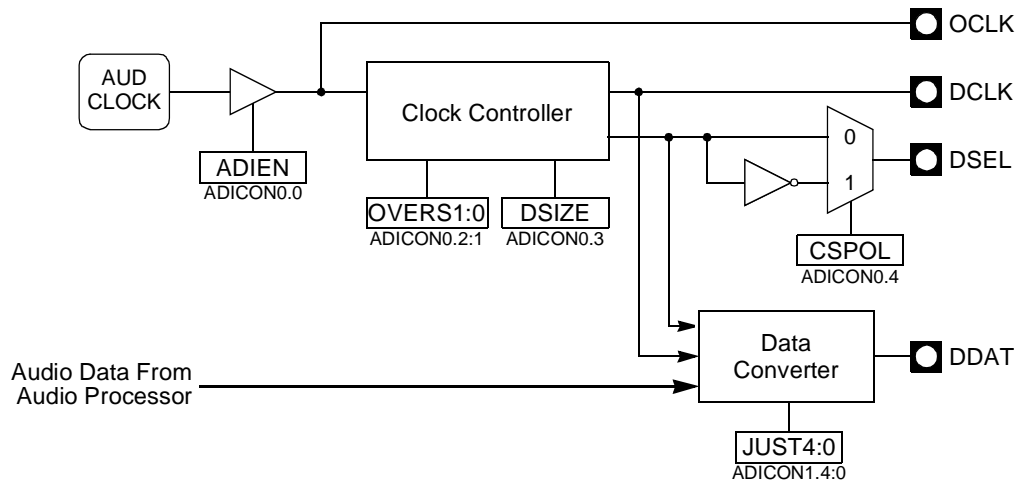
AMBSEL	Voltage Selection
0	high bias voltage 2V output
1	Low bias voltage 1.5 V output

### Audio DAC Interface

The C51 core interfaces to the audio DAC interface through two special function registers: ADICON0 and ADICON1, the Audio DAC Interface Control registers (see Table 182 and Table 183).

Figure 75 shows the audio interface block diagram where blocks are detailed in the following sections.

Figure 75. Audio DAC Interface Block Diagram



**Clock Controller**

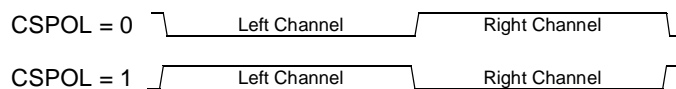
As soon as audio DAC interface is enabled by setting ADIEN bit in ADICON0, the master clock generated by the clock generator (see Section “Clock Generator”) is output on the OCLK pin which is the DAC over-sampling clock. The over-sampling ratio is defined by OVERS1:0 bits in ADICON0 according to Table 164 and is selected depending on the DAC capabilities.

Table 164. Audio DAC Interface Over-sampling Ratio

OVERS1:0	Over-sampling Ratio
00	Reserved
01	$128 \cdot F_s$
10	$256 \cdot F_s$
11	$384 \cdot F_s$

For DAC compatibility, the bit clock frequency is programmable for outputting 16 bits or 32 bits per channel using the DSIZE bit in ADICON0 (see Section "Data Converter", page 157), and the word selection signal (DSEL) is programmable for outputting left channel on low or high level according to CSPOL bit in ADICON0 as shown in Figure 76.

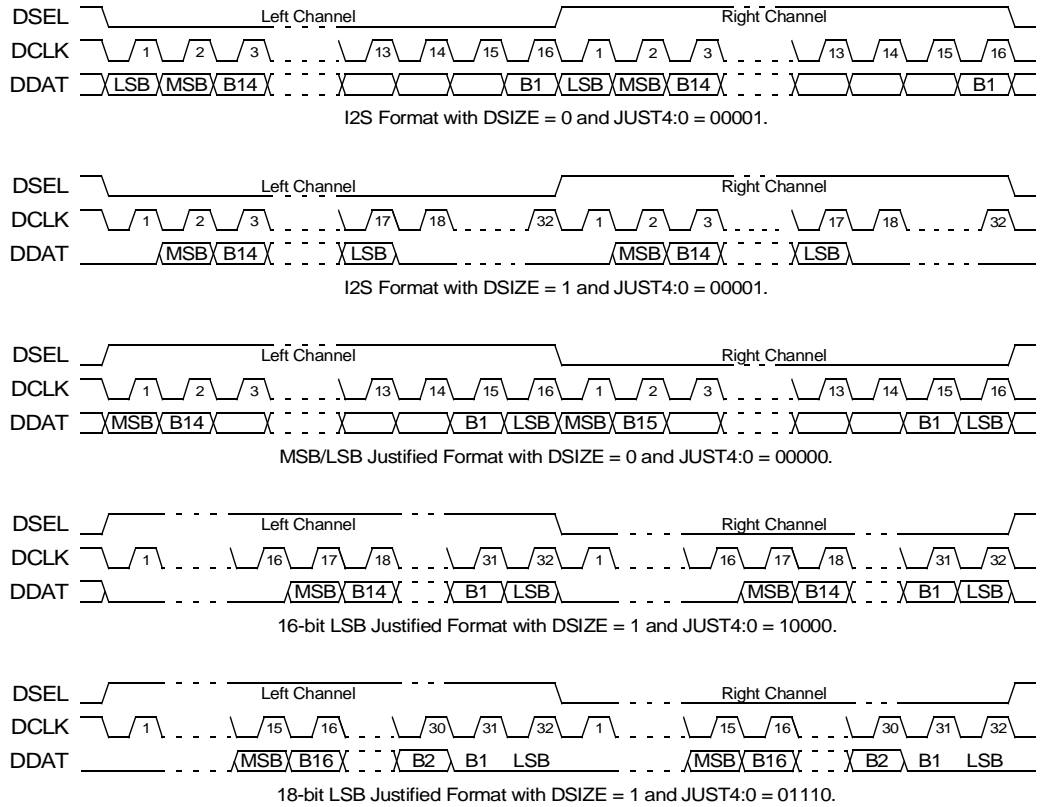
Figure 76. DSEL Output Polarity



**Data Converter**

The data converter block converts the audio stream coming from the audio processor to a serial format. For accepting all PCM formats and I<sup>2</sup>S format, JUST4:0 bits in ADICON1 register are used to shift the data output point. As shown in Figure 77, these bits allow MSB justification by setting JUST4:0 = 00000, LSB justification by setting JUST4:0 = 10000, I<sup>2</sup>S Justification by setting JUST4:0 = 00001, and more than 16-bit LSB justification by filling the low significant bits with logic 0.

**Figure 77. Audio Output Format**



## Registers

**Table 165. AUCON Register**

AUCON (1.F1h) – Audio Controller Control Register

7	6	5	4	3	2	1	0
BPEN	VSURND	BBOOST	MIXEN	EQUDIS	-	-	ACCKEN
Bit Number	Bit Mnemonic	Description					
7	BPEN	<b>Baseband Processor Enable Bit</b> Set to enable the baseband processing. Clear to bypass the baseband processing and disable the baseband features.					
6	VSURND	<b>Virtual Surround Enable Bit</b> Set to enable the virtual surround effect. Clear to disable the virtual surround effect.					
5	BBOOST	<b>Bass Boost Enable Bit</b> Set to enable the bass boost effect. Clear to disable the bass boost effect.					
4	MIXEN	<b>Mixing Enable Bit</b> Set to enable mixing of ADC output with DAC output. Clear to disable mixing of ADC output with DAC output.					
3	EQUDIS	<b>Equalizer Disable Bit</b> Set to disable the 3-band equalizer. Clear to enable the 3-band equalizer.					

Bit Number	Bit Mnemonic	Description
2-1	-	<b>Reserved</b> The value read from these bits is always 0. Do not set these bits.
0	ACCKEN	<b>Audio Controller Clock Enable Bit</b> Set to enable the Audio Controller Clock. Clear to disable the Audio Controller Clock.

Reset Value = 0000 0000b

**Table 166.** APCON0 Register

APCON0 (1.F2h) – Audio Processor Control Register 0

	7	6	5	4	3	2	1	0
	0	APCMD6	APCMD5	APCMD4	APCMD3	APCMD2	APCMD1	APCMD0

Bit Number	Bit Mnemonic	Description
7	0	<b>Always 0</b> The value read from this bit is always 0. Can not be set by software.
6-0	APCMD6:0	<b>Audio Processor Operating Command Bits</b> Codec firmware dependant.

Reset Value = 0000 0000b

**Table 167.** APCON1 Register

APCON1 (1.F3h) – Audio Processor Control Register 1

	7	6	5	4	3	2	1	0
	-	-	ABACC	ABWPR	ABRPR	ABSPLIT	APLOAD	DAPEN

Bit Number	Bit Mnemonic	Description
7-5	-	<b>Reserved</b> The value read from these bits is always 0. Do not set these bits.
5	ABACC	<b>Audio Buffer Access Bit</b> Set to enable buffer access by C51 core. Clear to enable buffer access by DFC.
4	ABWPR	<b>Audio Buffer Write Pointer Reset Bit</b> Set to reset the audio buffer write pointer. Cleared by hardware when write pointer is reset. Can not be cleared by software.
3	ABRPR	<b>Audio Buffer Read Pointer Reset Bit</b> Set to reset the audio buffer read pointer. Cleared by hardware when read pointer is reset. Can not be cleared by software.
2	ABSPLIT	<b>Audio Buffer Split Bit</b> Set to configure the audio buffer as a double buffer. Clear to configure the audio buffer as a single buffer.



Bit Number	Bit Mnemonic	Description
1	APLOAD	<b>Audio Processor Load Enable Bit</b> Set to enable audio processor codec code update. Clear to disable audio processor codec code update.
0	DAPEN	<b>Digital Audio Processor Enable Bit</b> Set to enable the digital audio processor. Clear to disable the digital audio processor.

Reset Value = 0000 0000b

**Table 168.** APSTA Register

APSTA (1.EAh) – Audio Processor Status Register

7	6	5	4	3	2	1	0
APSTAT7	APSTAT6	APSTAT5	APSTAT4	APSTAT3	APSTAT2	APSTAT1	APSTAT0
Bit Number	Bit Mnemonic	Description					
7-0	APSTAT7:0	<b>Audio Processor Status Byte</b> Codec firmware dependant.					

Reset Value = 0000 0000b

**Table 169.** APINT Register

APINT (1.F4h) – Audio Processor Interrupt Register

7	6	5	4	3	2	1	0
APGPI3	APGPI2	APGPI1	APGPI0	APEVTI	ACLIPI	APRDYI	APREQI
Bit Number	Bit Mnemonic	Description					
7-4	APGPI3:0	<b>Audio Processor General Purpose Interrupt Flag</b> Set by hardware to trigger a general purpose interrupt. Cleared by hardware after writing APCON0.					
3	APEVTI	<b>Audio Processor Event Interrupt Flag</b> Set by hardware to signal an event from the audio processor. Cleared by hardware after writing APCON0.					
2	ACLIPI	<b>Audio Clipping Interrupt Flag</b> Set by hardware when audio gain (digital volume or bass boost) leads to saturation. Cleared by hardware after writing APCON0.					
1	APRDYI	<b>Audio Packet Ready Interrupt Flag</b> Set by hardware when audio buffer has at least one data packet ready to be read (512 or 256 bytes depending on buffer configuration). Cleared by hardware when audio buffer is empty.					
0	APREQI	<b>Audio Packet Request Interrupt Flag</b> Set by hardware when audio buffer is able to receive one data packet (512 or 256 bytes depending on buffer configuration). Cleared by hardware when audio buffer is full.					

Reset Value = 0000 0000b



**Table 170.** APIEN Register

APIEN (1.E9h) – Audio Processor Interrupt Enable Register

7	6	5	4	3	2	1	0
APGPE3	APGPE2	APGPE1	APGPE0	APEVTE	ACLIPE	APRDYE	APREQE
Bit Number	Bit Mnemonic	Description					
7-4	APGPE3:0	<b>Audio Processor General Purpose Interrupt Enable Bits</b> Set to enable the audio processor general purpose interrupt. Clear to disable the audio processor general purpose interrupt.					
3	APEVTE	<b>Audio Processor Event Interrupt Enable Bit</b> Set to enable the audio processor event interrupt. Clear to enable the audio processor event interrupt.					
2	ACLIPE	<b>Audio Clipping Interrupt Enable Bit</b> Set to enable the audio clipping interrupt. Clear to disable the audio clipping interrupt.					
1	APRDYE	<b>Audio Packet Ready Interrupt Enable Bit</b> Set to enable the audio packet ready interrupt. Clear to disable the audio packet ready interrupt.					
0	APREQE	<b>Audio Packet Request Interrupt Enable Bit</b> Set to enable the audio packet request interrupt. Clear to disable the audio packet request interrupt.					

Reset Value = 0000 0000b

**Table 171.** APTIM0 Register

APTIM0 (2.C6h) – Audio Processor Timer Register 0

7	6	5	4	3	2	1	0
APT7	APT6	APT5	APT4	APT3	APT2	APT1	APT0
Bit Number	Bit Mnemonic	Description					
7-0	APT7:0	<b>Audio Processor Timer Least Significant Byte.</b>					

Reset Value = 0000 0000b

**Table 172.** APTIM1 Register

APTIM1 (2.C7h) – Audio Processor Timer Register 1

7	6	5	4	3	2	1	0
APT15	APT14	APT13	APT12	APT11	APT10	APT9	APT8
Bit Number	Bit Mnemonic	Description					
7-0	APT15:8	<b>Audio Processor Timer Intermediate Significant Byte.</b>					

Reset Value = 0000 0000b



**Table 173.** APTIM2 Register

APTIM2 (2.C9h) – Audio Processor Timer Register 2

7	6	5	4	3	2	1	0
APT23	APT22	APT21	APT20	APT19	APT18	APT17	APT16
Bit Number	Bit Mnemonic	Description					
7-0	APT23:16	<b>Audio Processor Timer Most Significant Byte.</b>					

Reset Value = 0000 0000b

**Table 174.** APRDVOL, APLDVOL, APBDVOL, APMDVOL, APTDVOL Registers

APRDVOL, APLDVOL, APBDVOL, APMDVOL, APTDVOL (2.F1h, 2.F2h, 2.F3h, 2.F4h, 2.F5h) – Audio Processor Right, Left, Bass, Medium, Treble Digital Volume Registers

7	6	5	4	3	2	1	0
-	-	-	ADVOL4	ADVOL3	ADVOL2	ADVOL1	ADVOL0
Bit Number	Bit Mnemonic	Description					
6-5	-	<b>Reserved</b> The value read from these bits is always 0. Do not set these bits.					
4-0	ADVOL4:0	<b>Digital Volume</b> Refer to Table 154 for information on gain control values.					

Reset Value = 0000 0000b

**Table 175.** APEBS Register

APEBS (2.F6h) - Audio Processor Equalizer Band Select Register

7	6	5	4	3	2	1	0
-	-	-	-	0	EQBS2	EQBS1	EQBS0
Bit Number	Bit Mnemonic	Description					
7-4	-	<b>Reserved</b> The value read from these bits is always 0. Do not set these bits.					
3	0	<b>Always Cleared</b> This bit is permanently cleared by hardware to allow INC APEBS without affecting bits 7-4.					
2-0	EQBS2:0	<b>Equalizer Band Selection</b> 000b: lowest frequency band to 111b highest frequency band.					

**Table 176.** APELEV Register  
APELEV (2.F7h) - Audio Processor Equalizer Level Status Register

7	6	5	4	3	2	1	0
-	-	-	EQLEV4	EQLEV3	EQLEV2	EQLEV1	EQLEV0
Bit Number	Bit Mnemonic	Description					
7-5	-	<b>Reserved</b> The value read from these bits is always 0. Do not set these bits.					
4-0	EQLEV4:0	<b>Equalizer Audio Level</b> 00000b: min. level to 11111b: max. level.					

Reset Value = 0000 0000b

**Table 177.** ACCON Register  
ACCON (2.EAh) – Audio Codec Control Register

7	6	5	4	3	2	1	0
-	AMBSEL	AMBEN	AISSEL	AIEN	AODRV -	AOSSEL -	AOEN -
Bit Number	Bit Mnemonic	Description					
7	-	<b>Reserved</b> The value read from this bit is always 0. Do not set this bit.					
5	AMBSEL	<b>Microphone Bias Select Bit</b> Set to select 1.5V bias output voltage in high or low voltage configuration. Clear to select 2V bias output voltage in high voltage configuration.					
5	AMBEN	<b>Microphone Bias Enable Bit</b> Set to enable the microphone bias output. Clear to disable the microphone bias output.					
4	AISSEL	<b>Audio Input Source Select Bit</b> Set to select the microphone as input source. Clear to select the line inputs as input source.					
3	AIEN	<b>Audio Input Enable Bit</b> Set to enable the audio input system. Clear to disable the audio input system.					
2	AODRV -	<b>AT85C51SND3B2 and AT85C51SND3B3: Audio Output Drive Select Bit</b> Set to select the 32 $\Omega$ drive in high voltage configuration. Clear to select the 50 K $\Omega$ drive in high or low voltage configuration. <b>AT85C51SND3B1: Reserved</b> The value read from this bit is always 0. Do not set this bit.					
1	AOSSEL -	<b>AT85C51SND3B2 and AT85C51SND3B3: Audio Output Source Select Bit</b> Set to select the audio processor as output source. Clear to select the line inputs as output source. <b>AT85C51SND3B1: Reserved</b> The value read from this bit is always 0. Do not set this bit.					

Bit Number	Bit Mnemonic	Description
0	AOEN -	<b>AT85C51SND3B2 and AT85C51SND3B3: Audio Output Enable Bit</b> Set to enable the audio output system. Clear to disable the audio output system. <b>AT85C51SND3B1: Reserved</b> The value read from this bit is always 0. Do not set this bit.

Reset Value = 0000 0000b

**Table 178.** ACAUX Register (AT85C51SND3B2 and AT85C51SND3B3 only)

ACAUX (2.E4h) – Audio Codec Auxiliary Register

7	6	5	4	3	2	1	0
-	-	-	-	-	-	AODIS	AOPRE

Bit Number	Bit Mnemonic	Description
7-2	-	<b>Reserved</b> The value read from these bits is always 0. Do not set these bits.
1	AODIS	<b>Audio Output Discharge Bit</b> Set to enable the audio output discharge mechanism. Clear to disable the audio output discharge mechanism.
0	AOPRE	<b>Audio Output Preload Bit</b> Set to enable the audio output preload mechanism. Clear to disable the audio output preload mechanism.

Reset Value = 0000 0000b

**Table 179.** ACORG Register (AT85C51SND3B2 and AT85C51SND3B3 only)

ACORG (2.EBh) – Audio Codec Right Output Gain Register

7	6	5	4	3	2	1	0
-	-	-	AORG4	AORG3	AORG2	AORG1	AORG0

Bit Number	Bit Mnemonic	Description
7-5	-	<b>Reserved</b> The value read from these bits is always 0. Do not set these bits.
4-0	AORG4:0	<b>Audio Output Right Gain</b> Refer to Table 157 for gain value.

Reset Value = 0000 0000b

**Table 180.** ACOLG Register (AT85C51SND3B2 and AT85C51SND3B3 only)

ACOLG (2.ECh) – Audio Codec Left Output Gain Register

7	6	5	4	3	2	1	0
-	-	-	AOLG4	AOLG3	AOLG2	AOLG1	AOLG0
Bit Number	Bit Mnemonic	Description					
7-5	-	<b>Reserved</b> The value read from these bits is always 0. Do not set these bits.					
4-0	AOLG4:0	<b>Audio Output Left Gain</b> Refer to Table 157 for gain value.					

Reset Value = 0000 0000b

**Table 181.** ACIPG Register

ACIPG (2.EDh) – Audio Codec Input Preamplifier Gain Register

7	6	5	4	3	2	1	0
-	-	-	-	AILPG -	AIPG2	AIPG1	AIPG0
Bit Number	Bit Mnemonic	Description					
7-4	-	<b>Reserved</b> The value read from these bits is always 0. Do not set these bits.					
3	AILPG	<b>AT85C51SND3B2 and AT85C51SND3B3: Audio Input Line Preamplifier Gain</b> Refer to Table 161 for gain value. <b>AT85C51SND3B1: Reserved</b> The value read from this bit is always 0. Do not set this bit.					
2-0	AIPG4:0	<b>Audio Input Preamplifier Gain</b> Refer to Table 160 for gain value.					

Reset Value = 0000 0000b

**Table 182.** ADICON0 Register

ADICON0 (2.EEh) – Audio DAC Interface Control Register 0

7	6	5	4	3	2	1	0
-	-	-	CSPOL	DSIZE	OVERS1	OVERS0	ADIEN
Bit Number	Bit Mnemonic	Description					
7-5	-	<b>Reserved</b> The value read from these bits is always 0. Do not set these bits.					
4	CSPOL	<b>Channel Select DSEL Signal Output Polarity Bit</b> Set to output the left channel on high level of DSEL output (PCM mode). Clear to output the left channel on the low level of DSEL output (I <sup>2</sup> S mode).					
3	DSIZE	<b>Audio Data Size Bit</b> Set to select 32-bit data output format. Clear to select 16-bit data output format.					

Bit Number	Bit Mnemonic	Description
1-2	OVERS1:0	<b>Audio Oversampling Ratio Bits</b> Refer to Table 164 for bits description.
0	ADIEN	<b>Audio DAC Interface Enable Bit</b> Set to enable the audio DAC interface. Clear to disable the audio DAC interface.

Reset Value = 0000 0000b

**Table 183.** ADICON1 Register

ADICON1 (2.EFh) – Audio DAC Interface Control Register 1

7	6	5	4	3	2	1	0
-	-	-	JUST4	JUST3	JUST2	JUST1	JUST0

Bit Number	Bit Mnemonic	Description
7-5	-	<b>Reserved</b> The value read from these bits is always 0. Do not set these bits.
4-0	JUST4:0	<b>Audio Stream Justification Bits</b> Refer to Section “Audio DAC Interface” for bits description.

Reset Value = 0000 1000b

**Table 184.** ASCON Register

ASCON (2.E1h) – Audio Stream Control Register

7	6	5	4	3	2	1	0
ASC7	ASC6	ASC5	ASC4	ASC3	ASC2	ASC1	ASC0

Bit Number	Bit Mnemonic	Description
7-0	ASC7:0	<b>Audio Stream Control Byte</b> Bits content depends on the audio codec firmware.

Reset Value = 0000 0000b

**Table 185.** ASSTA0 Register

ASSTA0 (2.E2h) – Audio Stream Status Register 0

7	6	5	4	3	2	1	0
AS0S7	AS0S6	AS0S5	AS0S4	AS0S3	AS0S2	AS0S1	AS0S0

Bit Number	Bit Mnemonic	Description
7-0	AS0S7:0	<b>Audio Stream Status Byte 0</b> Bits content depends on the audio codec firmware.

Reset Value = 0000 0000b

**Table 186.** ASSTA1 Register

ASSTA1 (2.E3h) – Audio Stream Status Register 1

7	6	5	4	3	2	1	0
AS1S7	AS1S6	AS1S5	AS1S4	AS1S3	AS1S2	AS1S1	AS1S0
Bit Number	Bit Mnemonic	Description					
7-0	AS1S7:0	<b>Audio Stream Status Byte 1</b> Bits content depends on the audio codec firmware.					

Reset Value = 0000 0000b

**Table 187.** ASSTA2 Register

ASSTA2 (2.E9h) – Audio Stream Status Register 2

7	6	5	4	3	2	1	0
AS2S7	AS2S6	AS2S5	AS2S4	AS2S3	AS2S2	AS2S1	AS2S0
Bit Number	Bit Mnemonic	Description					
7-0	AS2S7:0	<b>Audio Stream Status Byte 2</b> Bits content depends on the audio codec firmware.					

Reset Value = 0000 0000b

## Nand Flash Controller

The AT85C51SND3Bx implement a hardware Nand Flash Controller (NFC) embedding the following features:

- Up to 4 Nand Flash (NF) memories
- SMC/XD support with up to 3 NF memories
- 512-byte, 1024-byte, 2048-byte page size support (provision for up to 8192-byte page size)
- Hardware ECC support
- High speed: up to 35 ns cycle time NF support
- Two separated secured memory segments:
  - application segment for user codes, audio codec codes, fonts, screens...
  - mass storage segment for FAT formatting
- Hardware write protection management for application code segment
- Very high data transfer rate in read and write using DFC interface
- Proprietary wear-levelling support with extremely reduced CPU load

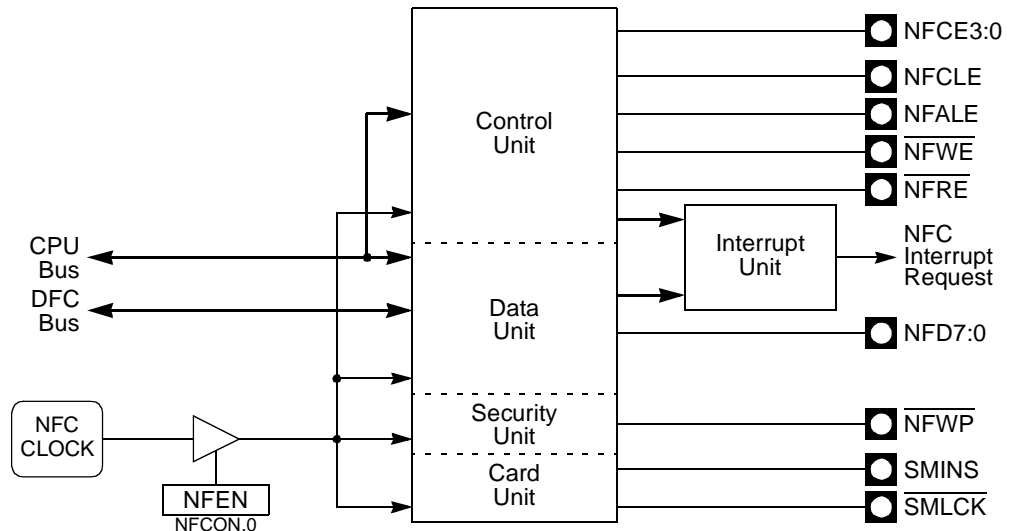
## Functional overview

As shown in Figure 78 the NFC architecture is based on six hardware units:

- The Clock unit
- The Control unit
- The Data unit
- The Security unit
- The Card Unit
- The Interrupt unit

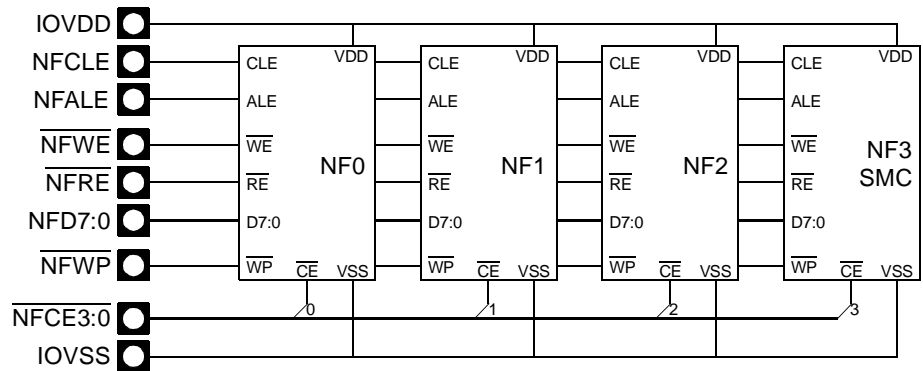
These units are detailed in the following sections.

**Figure 78.** NFC Controller Block Diagram





**Figure 79.** Nand Flash Connection



## Clock Unit

The NFC clock is generated based on the clock generator as detailed in Section "DFC/NFC Clock Generator", page 30. As soon as NFEN bit in NFCON is set, the NFC controller receives its system clock and can then be configured.

## Control Unit

The Control unit configures the NFC and gives the user all the flexibility to interface the NF devices. All the flash commands must be produced by the software, and the NFC just sends to the Flash basic operations such as "read Id", "write a byte", "erase a block", ...

## Configuration Descriptor

Prior to any operation, the NFC must be configured with static information concerning the NF devices connected to the product as well as other important information relevant to the desired behavior. The configuration is done by writing a descriptor byte by byte in the NFCFG register. The NF descriptor is composed of eight bytes (detailed in Table 188). The first byte written is byte 0.

After writing a descriptor, a new one can be written to the NFC.

**Table 188.** Configuration Descriptor Content

Byte Offset	Byte Mnemonic	Description
0	NFPGCFG	<b>NF Device Page Configuration Register</b> Refer to Table 189 for register content organization.
1	SMPGCFG	<b>SMC Device Page Configuration Register</b> Refer to Table 189 for register content organization.
2	SCFG1	<b>Sub Configuration Register 1</b> Refer to Table 190 for register content organization.
3	SCFG2	<b>Sub Configuration Register 2</b> Refer to Table 191 for register content organization.
4	FPBH	<b>NF Device First Protected Block Address Registers</b> First address block of protected area. Refer to Section "Write Protection" for detailed information. Reset Value is 0000 0000b, 0000 0000b.
5	FPBL	
6	LPBH	<b>NF Device Last Protected Block Address Registers</b> First address block of protected area. Refer to Section "Write Protection" for detailed information. Reset Value is 0000 0000b, 0000 0000b.
7	LPBL	

**Table 189.** NFPGCFG / SMPGCFG Registers

NFPGCFG / SMPGCFG – NF / SMC Device Page Configuration Registers

7	6	5	4	3	2	1	0
NDB3	NDB2	NDB1	NDB0	NDB4	-	-	-
Bit Number	Bit Mnemonic	Description					
7-3	NDB4:0	<b>Page Data Number</b> Number of data bytes in a page (unit is 512 bytes).					
2-0	-	<b>Reserved</b> The value read from these bits is always 0. Do not set these bits.					

Reset Value = 0000 0000b

**Table 190.** SCFG1 Register

SCFG1 – Sub Configuration Register 1

7	6	5	4	3	2	1	0
-	NUMDEV1	NUMDEV0	PDEV3	PDEV2	PDEV1	PDEV0	SMCEN
Bit Number	Bit Mnemonic	Description					
7	-	<b>Reserved</b> The value read from this bit is always 0. Do not set this bit.					
6-5	NUMDEV1:0	<b>Nand Flash Device Number</b> Write the number of devices connected (SMC/XD included) minus 1.					
4-1	PDEV3:0	<b>Protected Device Configuration Bits</b> Refer to Table 198 for more details.					
0	SMCEN	<b>SmartMedia/XD Card Enable Bit</b> Set to enable SMC support. Clear to disable SMC support.					

Reset Value = 0001 1110b

**Table 191.** SCFG2 Register

SCFG2 – Sub Configuration Register 2

7	6	5	4	3	2	1	0
-	-	-	-	-	-	BSIZE1	BSIZE0
Bit Number	Bit Mnemonic	Description					
7-2	-	<b>Reserved</b> The value read from these bits is always 0. Do not set these bits.					

Bit Number	Bit Mnemonic	Description
1-0	BSIZE1:0	<p><b>Block Size Bits</b></p> <p>Write following value to specify the number of pages per block. This information is needed by the controller for the block protection management.</p> <p>0 0: 32 pages per block            0 1: 64 pages per block            1 0: 128 pages per block            1 1: 256 pages per block</p>

Reset Value = 0000 0000b

### Specific Action

As soon as the NFC is configured, the NFC is 'idle', i.e. ready for operation and its running status flag NFRUN in NFSTA is cleared. The controller is ready to accept events, typically to prepare a page for read or write.

As long as the NFC remains in the running state (NFRUN flag set), any attempt to new event will lead to an ILLEGAL interrupt.

Here is the list of the possible events:

Writing in the NFACT register as detailed in Table 192 launches a specific action:

- select a device,
- begin a read data transfer (thus the spare zone will be checked),
- begin a write data transfer (thus the spare zone will be set),
- stop a data transfer before the end of a page,
- force CE low.

**Table 192.** Action Decoding

EXT1:0		ACT2:0			Launched Action
x	x	0	0	0	No action
DEV		0	0	1	Device selection. The device number is selected by EXT.
x	x	0	1	0	Read session.
x	x	0	1	1	Write session.
x	CELOW	1	0	0	Selected $\overline{\text{NFCE}}$ signal assertion.
x	x	1	0	1	Data transfer stop.
A9	A8	1	1	0	Column address extension.
x	x	1	1	1	Reserved for future use.

### Device Selection

This command selects the device which will receive the next incoming events. The device number is memorized until a new device selection action is performed.

DEV is the device number. SMC shall always be connected on device 3. Table 193 summarizes the possible configurations: if DEV is a device that does not comply with the configuration allowed, an illegal interrupt is triggered.

**Table 193.** Device Selection Allowed Configuration

SMCEN	NUMDEV	Allowed DEV	Comment
0	0	0	
	1	0, 1	
	2	0, 1, 2	
	3	0, 1, 2, 3	
1	0	3 (SMC)	No NF memory is selected
	1	3 (SMC), 0	
	2	3 (SMC), 0, 1	The $\overline{\text{SMLCK}}$ signal can not be used in this configuration, the SMLCK bit is irrelevant.
	3	3 (SMC), 0, 1, 2	Neither $\overline{\text{SMLCK}}$ nor $\overline{\text{SMINS}}$ signals can be used in this configuration. SMCD and SMLCK bits have an irrelevant value. SMCTE shall be cleared.

*“Read” Session*

A “read” session is launched and the DFC flow control is enabled. When processing the spare zone, its information will be checked.

*“Write” Session*

A “write” session is launched and the DFC flow control is enabled. When processing the spare zone, its information will be set.

*$\overline{\text{NFCE}}$  Signal Force Low*

The 512B-pages memories need to keep asserted the  $\overline{\text{NFCE}}$  line during the access time of a data. This can be done by setting the CELOW bit. In this case, the  $\overline{\text{NFCEx}}$  signal selected by the last ‘device select’ action is asserted ( $\text{NFCE}[\text{DEV}] = \text{L}$ ).

If a new ‘device select’ action occurs while the CELOW bit is set, the  $\overline{\text{NFCEx}}$  signal of the old selected device is de-asserted ( $\text{NFCE}[\text{OLD\_DEV}] = \text{H}$ ), and the  $\overline{\text{NFCEx}}$  signal of the new one is asserted ( $\text{NFCE}[\text{NEW\_DEV}] = \text{L}$ ).

Clearing the CELOW bit does not force the  $\overline{\text{NFCE}}$  signal high:

- The  $\overline{\text{NFCE}}$  signal is automatically asserted at the beginning of the execution of any new commands.
- The  $\overline{\text{NFCE}}$  signal is automatically de-asserted at the completion of the commands.

*Data Transfer Stop*

This action stops the NFC when the data transfer is finished. In this case, the controller state becomes “not running” (NFRUN bit cleared). This can also be used as an abort signal in streaming mode.

*Column Address Extension*

The 512B-pages memories have different kind of read commands (00h, 01h, 50h) depending the data zone that need to be processed (1st half, 2nd half or spare). The column address given is relative to the zone chosen by the read command. The NFC needs to have the absolute column address to stop automatically at the end of the page. The column address extension is given thanks to that command. A9:8 holds the address extension.

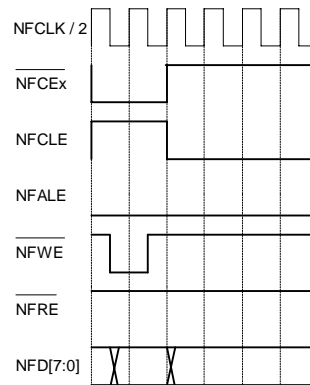
- 00h selects the 1st half zone, i.e. the 0-255 range in the data zone. This is the default value. A read or a write in NFADC resets A9:8 to 00h.
- 01h selects the 2nd half zone, i.e. the 256-511 range in the data zone.
- 10h selects the spare zone, i.e. the 512-527 range in the data zone.

Note that it is not possible to reset A9:8 after each command (write in NFCMD): the device status read command is used after opening a page (for read) to poll the busy status.

## Command Sending

Writing a command in NFCMD generates the following cycles:

Assembly code: `mov direct, #`



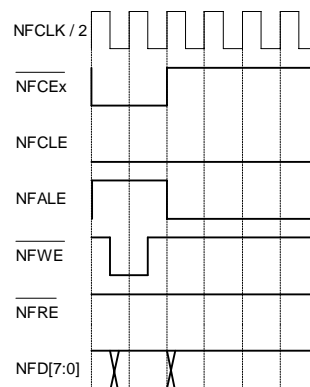
Command

A write in that register re-initializes the ECC engine and the ECC FIFO. A read in that register returns an unexpected value.

## Address Sending

Writing an address in NFADC (column address) or NFADR (row address) generates the following cycles:

Assembly code: `mov direct, #`



Address

The NFADC register is used to select the column address. The NFC uses that information to build an internal byte counter in the page, thus allowing it to stop at the end of the page. 512B NF memories (NDB= 1) have 1 column cycle. Other NF memories have 2 column cycles.

The NFADR register is used to select the row address, i.e. the page address. The NFC uses that information to verify if the block is protected or not.

Both kind of information are reset after a read of a write of the NFCMD register. A read in NFADC or NFADR returns an unexpected value.

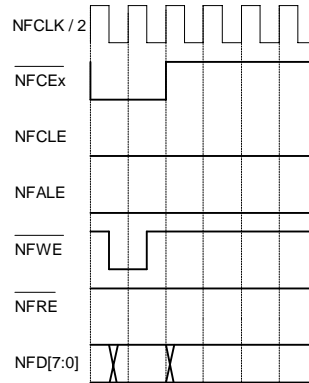
## Data Reading/Writing

The NFDAT and NFDATF registers allow reading or writing of a byte without the use of the DFC as detailed in the Section “Data Unit”. It launches an immediate read or write NF cycle, depending if the software reads or writes in those registers.

Note: The ECC is also computed when byte are read or written via NFDAT or NFDATF.

- A write in NFDAT or NFDATF will produce an immediate “write cycle” (the NF signals will be asserted accordingly) to store the byte given by the CPU.

Assembly code: `mov direct, #`



Write data

- A read of NFDATF or NFADC returns to the CPU the byte contained in that register and launches in background a new “read cycle” (the NF signals will be asserted accordingly). Once the “read cycle” is completed, the byte is held in the NFDAT and NFDATF or NFADC registers. (*The NFC stays in the running state (NFRUN set) as long as the “read cycle” is not performed.*)

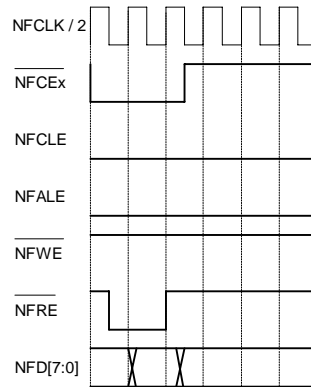
Note: The NFADC register is particularly suitable to read and poll the nand flash(es) status register.

Depending on the Nand Flash manufacturer, read cycle waveform may differ on the NFRE pulse width parameter. In order to be compliant with all memories, NFRE read pulse width can be programmed using TRS bit in NFCON according to Table 194.

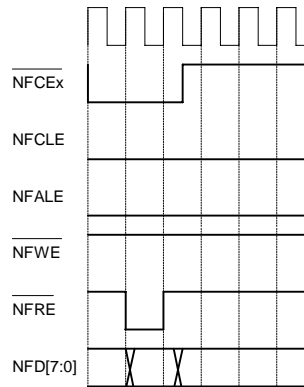
**Table 194.** Read Cycle Configuration

TRS	Description
0	<b>[1.5; 0.5] Cycle</b> NFRE asserted during 1.5 clock period and deasserted during 0.5 clock period.
1	<b>[1.0;1.0] Cycle</b> NFRE asserted during 1 clock period and deasserted during 1 clock period.

Assembly code: `mov #, direct`



Read data, TRS cleared  
CPU: 40 ns setup, timing [1.5; 0.5]  
[15;30] ns hold



Read data, TRS set  
CPU: 40 ns setup Timing [1; 1]  
[15;30] ns hold

- A read of NFDAT returns to the CPU the byte contained in that register, but does not launch an extra background “read cycle”.

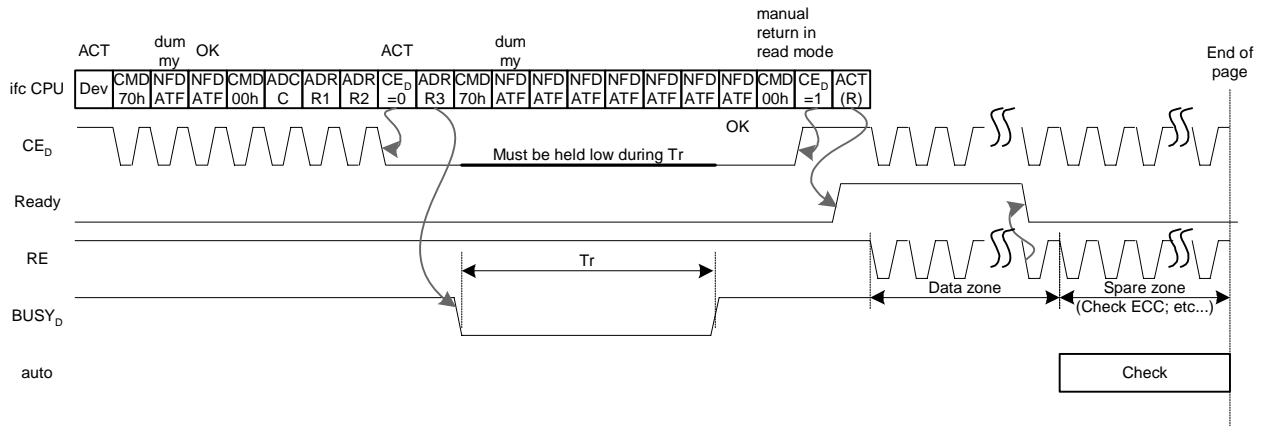
Assembly code: `mov #, direct`

In all the previous examples, the  $\overline{\text{NFCE}}$  line is asserted low and de-asserted at the end of the cycle. This allows minimizing the power consumption.

**Access Example**

Figure 80 shows a read access in a 512B page. Note that the  $\overline{\text{NFCE}}$  must be held low during the access time for that kind of memory:

**Figure 80. Nand Flash Read Example**



**Legend:**

- "ifc CPU" illustrates the commands given by the CPU to the NFC.
- "auto" illustrates the actions automatically launched by the NFC.
- "ready" is the flow control line between the DFC macro and the NFC interface.
- "BUSY<sub>D</sub>" is the busy state of the device D.
- "P" is the Polling action.

**Data Unit**

The Data Unit works closely to the DFC and is responsible of all the data transfer between the NF memories and on-chip memories (USB, SRAM, ...).

**Data and Spare Zone**

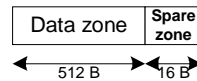
For management convenience, the controller is mapping a memory page as some data and spare zones.

A 'data zone' is a data area composed of NDB contiguous bytes.

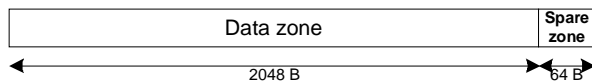
The 'spare zone' is located after the 'data zone' until the end of the page.

NDB is part of the configuration descriptor (see Table 189) and its use is described in the following examples:

- SMC page, "512B" NF page, "512B" XD card  
A page is composed of 512 contiguous data bytes (NDB= 1), followed by a spare zone of 16 bytes.



- "2kB" NF page  
A page is composed of 1024 contiguous data bytes (NDB= 4), followed by a spare zone of 64 bytes.



**Spare Zone Content**

The "16-byte" spare zone contains information as specified in Table 195.



**Table 195.** Spare Zone Content

Offset	Description
0-1	User Data Area. Shall be managed by software.
2	ECC Valid. Managed by NFC.
3	User Data Byte. Managed by NFC through NFUDAT register.
4	Data Status Flag. Shall be managed by software.
5	Block Status Flag. Shall be managed by software.
6-7	Logical Block Address. Managed by NFC through NFLOG register (see Section "Logical Block Address").
8-10	ECC Area-2. Managed by NFC.
11-12	Logical Block Address. Managed by NFC through NFLOG register (see Section "Logical Block Address").
13-15	ECC Area-1. Managed by NFC.

The bytes which are not managed by the NFC are written to FFh.

**Write Session**

The spare zone is processed after the 'data zone'.

The NFC will initialize the byte at offset 3 with the byte contained in the NFUDAT register, and the 'Logical Block Address' (offsets 6-7, also duplicated at offsets 11-12) with the 2-bytes-descriptor stored in NFLOG (see Table 197, page 179 for more details).

Then the ECC is written at position 13, 14 and 15 for the ECC group 1 (from data byte 0 to data byte 255), and at position 8, 9 and 10 for ECC group 2 (from data byte 256 to data byte 511).

The ECC used can detects 2 wrong bits or more, and correct one bit.

**Read Session**

The NFC does only check (depending configuration explained in the next chapter) the ECC (ECC-1 and ECC-2).

**Spare Zone Management**

The way the spare zone is handled depends on 3 bits: the SPZEN bit in NFCON which is the automatic management enable bit, the ECCEN which is the ECC management enable bit and the ECCRDYE bit which is the ECC ready interrupt enable bit. Table 196 summarizes the spare zone behavior according to those control bits. Following section give detail on the management modes.

**Table 196.** Spare Zone Management Modes

SPZEN	ECCEN	ECCRDYE	Description
0	0	X	<b>Spare Zone Management Mode 1</b> The spare zone is not managed by the NFC.
1	1	0	<b>Spare Zone Management Mode 2</b> The spare zone is entirely managed by the NFC.
X	1	1	<b>Spare Zone Management Mode 3</b> The spare zone is not automatically managed by the NFC. However, an interrupt is triggered when the ECC FIFO is full, so after each 512 bytes processed. The user must program/verify the spare zone.

SPZEN	ECCEN	ECCRDYE	Description
0	1	0	<b>Not Supported</b> This configuration is reserved and must not be programmed.
1	0	X	<b>Not Supported</b> This configuration is reserved and must not be programmed.

### Spare Zone Mode 1

The spare zone is not managed by the NFC. The data zone is contiguous.

The user sends the commands to prepare the page for read or write. The data flow starts when the READ or WRITE bits are set by the user (write in NFACT). The NFC did not manage the spare zone, and did not stop when the ECC FIFO is full. Thus, NFC stops when it reaches the end of the data zone, or when it receives a STOP action.

### Spare Zone Mode 2

The spare zone is entirely managed by the NFC. The ECC is computed when the data flow starts. Each 256 bytes met, a 3-bytes ECC is built and stored in an ECC FIFO. When the ECC FIFO is full, the NFC stops the flow control to the DFC, and process the spare zone (ECC, logical value, parity... described later).

If the data flow stops before the end of the data zone, the user has the responsibility to stop the NFC and to program the spare zone.

The NFC will stop (idle mode) when it meet the end of the page. In this case, according to NECC, the controller will program/verify the appropriate spare zone(s). Let's take an example with 2kB memories:

- if the flow starts from the beginning of the page, NECC is 4 and the 4 spare zones will be verified or checked
- if the flow starts at offset 512, NECC is 3 and the 3 last spare zones of the page be verified or checked.
- etc.

Note that;

- For WRITE session, the byte at offset 2 is written to 0 (ECC valid) when the spare zone is written.
- For READ session, the ECC is verified only if the ECC is valid (byte at offset 2 is 0).

This mechanism ensures that the ECC is verified when it is valid.

This mode is particularly well suited for 512B and 2kB memories. For other kind of memories, mode 3 is preferable.

### Spare Zone Mode 3

The spare zone is not automatically managed by the NFC. The ECC is computed and stored in the ECC FIFO. When the ECC FIFO is full, the flow control is stopped and an interrupt is sent. The NFC returns to the idle state.

For 512B memories, the ECCRDYI interrupt is always triggered after 512 data bytes seen.

For 2kB memories and higher memories, the ECCRDYI interrupt is always triggered after 2048 data bytes seen.

The ECC engine is reset after a write in the NFCMD register. NECC gives the number of ECC in the FIFO.

Depending on the mapping of the page, the user have the possibility to:

- send the right events to program/verify the spare zone (reading the ECC FIFO). The READ or WRITE bits must be set (write in NFACT) to resume the data transfer, until the end of the page or an STOP action. The firmware shall also re-initialize the ECC FIFO by writing to NFECC.

- read the ECC FIFO, (keeping the ECCs in memory), re-initialize it, resume the data transfer, and to write all the ECC bytes at the end of the page.

## Logical Block Address

In order to automatically and properly fill the spare zone, the logical block address must be provided to the NFC. This is done by writing a 2-bytes descriptor byte by byte to the NFLOG register according to Table 197. The first byte written is byte 0. The logical block addresses must be updated each time the data flow reaches the beginning of new logical blocks.

**Table 197.** Logical Block Address descriptor Content

Byte Offset	Byte Mnemonic	Description
0	LBAH	Logical Block Address (MSB).
1	LBAL	Logical Block Address (LSB).

Reset Value = 0000 0000b for each byte.

In order to keep SMC compatibility, LBA will be organized as follow:

```

0 0 0 1 0 A A A
A A A A A A A P
    
```

Header 00010b and parity “P” are handled by software. “A” represents the logical block address.

## End of Data Transfer

When the data transfer stops, an interrupt is sent by the DFC macro to the CPU. The CPU has then to stop the NFC macro by sending a STOP action. This action can also be considered as an abort signal in a streaming mode. A STOP action makes the NFC return cleanly to the idle state (NFRUN cleared): it does not stop a spare area processing.

## End of Transfer Closing

When the NFC stops following a STOP action, in the case of a write session, the user must properly stop the page programming by copying old sectors to the new page. Moreover, the spare zone shall also be managed by the software.

To do this, the user needs to know where the NFC stopped: the NFBPH and NFBPL registers contain the byte position of the next data to be read or written. For example, it contains 0 after a reset, and 528 if the controller stops in a 512B page after the spare zone processing.

This register is incremented each time a byte is read through NFDATF or written through NFDAT or NFDATF, spare zone included.

A read of NFDAT or NFADC does not increment the NFBP counter.

The NFBP counter can be updated by software. Anyway, this shall be done in debug mode, and only when the NFC is not running.

Moreover, the NECC counter is updated when the controller reaches the end of the page. It gives the number of ECC that is ready to be written/updated. This feature shall be used when the flow does not start from the beginning of a page. For example, it contains 3 if the flow starts at offset 512 till the end of the page. In this situation, the three last ECC can be written/checked.

## Security Unit

The Security Unit provides hardware mechanisms to protect NF content from any firmware crash and prevent data loss and provides data recovery capability through ECC management.

## Write Protection

The NFC provides a hardware mechanism to protect full or part of the memory against any spurious writing. This is achieved by using the  $\overline{\text{NFWP}}$  signal and connecting it to the WP pins of the memories.

The  $\overline{\text{NFWP}}$  signal is automatically asserted in the following conditions:

- The internal voltage is out of specified value (brown-out detection)
- An external reset has been applied to the device
- A watchdog reset has been triggered (bad code execution)
- A write or erase to the protected area has been triggered (bad code execution)

## User Whole Memory Protection

The user has the possibility to protect all the flash devices (NF and SMC) by asserting the external  $\overline{\text{NFWP}}$  signal. This is achieved by setting the NFWP bit in NFWP. All the memories are protected at the same time, i.e. NF and SMC if a SMC is present.

## Hardware Protected Area

A user defined area in the memories (a certain amount of blocks) can be locked against writing or erasing. This is done by giving to the controller the first protected block (FPB) address, the last protected block address (LPB) and the device number to be locked (PDEV). All this information is part of the Configuration Descriptor. Table 198 summarizes which device is locked or not.

The protected area is practically used for user firmwares, codec firmwares, fonts and other configuration data.

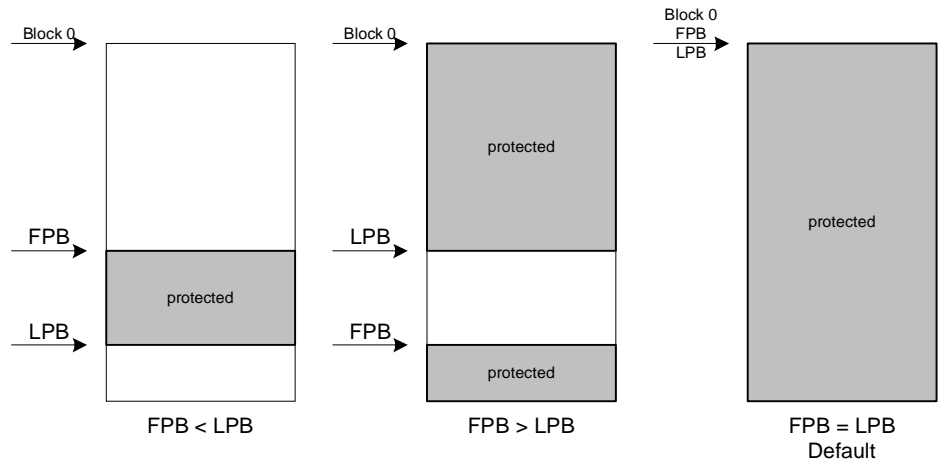
**Table 198.** Protected Device versus PDEV Value

PDEV3	PDEV2	PDEV1	PDEV0	Description
0	0	0	0	No locked devices
x	x	x	1	The blocks [FPB; LPB] of NF device 0 are locked
x	x	1	x	The blocks [FPB; LPB] of NF device 1 are locked
x	1	x	x	The blocks [FPB; LPB] of NF device 2 are locked
1	x	x	x	The blocks [FPB; LPB] of NF device 3 (SMCEN=0) or of SMC (SMCEN=1) are locked

Then, if a device is protected, the following policy is applied:

- If FPB is lower than LPB, the protected area is a contiguous area starting from FPB to LPB.
- If FPB is higher than LPB, there are two protected areas: any block address that is below LPB and any block address that is above FPB.
- If FPB is equal to LPB, all the flash is protected. This is the default behavior.

**Figure 81.** Nand Flash Write Protection Scheme



Since the  $\overline{\text{NFWP}}$  signal state is part of the device status, the user can detect a fault by reading it.

**ECC Error Management**

When an ECC error is detected, the ECCERRI flag is set in NFINT and the 4-byte ECC error FIFO is updated. The FIFO content is read byte by byte using the NFERR register as detailed in Table 199.

First byte of the FIFO returns a status if the error can or can not be corrected. If it can not be corrected other 3-byte FIFO are cleared, If it can be corrected, the following 3 bytes return the address of the byte in error within the page (2 bytes) and the address of the bit in error within the byte (1 byte).

For example, if the byte read at offset 1921 (starting from 0) in a 2K page is E3 (wrong) instead of A3:

- byte offset MSB will be 07h
- byte offset LSB will be 81h
- bit offset will be 06h

**Table 199.** ECC Error Descriptor

Offset	Description
0	<b>Error Identification Byte</b> Refer to Table 200 for information on byte content.
1	<b>First 256-byte group of the sector</b> Byte offset
2	<b>Second 256-byte group of the sector</b> Byte offset
3	<b>Bit offset in the byte</b> Refer to Table 200 for information on byte content.

**Table 200.** ECC Error Identification Byte

7	6	5	4	3	2	1	0
0	0	0	0	SHERRID1	SHERRID0	FHERRID1	FHERRID0

Bit Number	Bit Mnemonic	Description
7-0	0	<b>Reserved</b> The value read from these bits is always 0.
3-2	SHERRID1-0	<b>Second Half Error Id Flag</b> Id of the error in the second "256-byte" group of the sector. 1: Correctable error. 2: Not correctable error. 3: Not correctable error in the ECC. Anyway, the data is good.
1-0	FHERRID1-0	<b>First Half Error Id Flag</b> Id of the error in the first "256-byte" group of the sector. 1: Correctable error. 2: Not correctable error. 3: Not correctable error in the ECC. Anyway, the data is good.

**Table 201.** ECC Error Identification Byte

7	6	5	4	3	2	1	0
0	0	SHFB2	SHFB1	SHFB0	FHFB2	FHFB1	FHFB0

Bit Number	Bit Mnemonic	Description
7-6	-	<b>Reserved</b> The value read from these bits is always 0.
5-3	SHFB2:0	<b>Second Half Fail Bit Flag</b>
2-0	FHFB2:0	<b>First Half Fail Bit Flag</b>

## Card Unit

### Enable

Smartmedia or XD card management is enabled by setting SMCEN bit in SCFG1 register as detailed in Section "Configuration Descriptor" where specific configuration must also be set.

### Card Detect Input

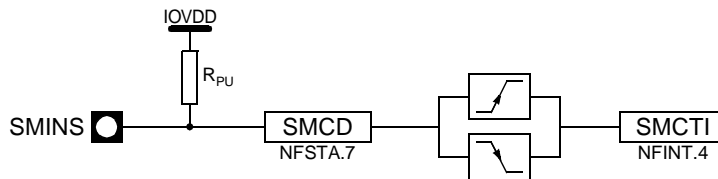
As shown in Figure 82 the SMINS (SMC/XD Card Detect) input implements an internal pull-up, in order to provide static high level when card is not present in the socket.

SMINS level is reported by SMCD bit<sup>(1)</sup> in NFSTA.

As soon as SMC is enabled, all level modifications on SMINS input from H to L or from L to H (card insertion or removal) set SMCTI, the SM Card Toggle Interrupt flag in NFINT.

Note: 1. SMCD bit is not relevant until SMC management is enabled.

**Figure 82.** Card Detection Input Block Diagram



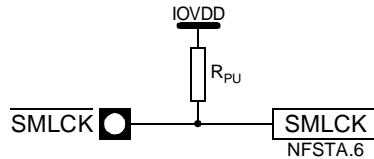
**Card Lock Input**

As shown in Figure 83 the  $\overline{\text{SMLCK}}$  (SMC/XD Lock) input implements an internal pull-up, in order to provide static high level when card is not present in the socket.

$\overline{\text{SMLCK}}$  level is reported by SMLCK bit<sup>(1)</sup> in NFSTA register.

Note: 1. SDWP bit is not relevant until SMC management is enabled and a card is present in the socket (SMCD = 0).

**Figure 83.** Card Write Protection Input Block Diagram



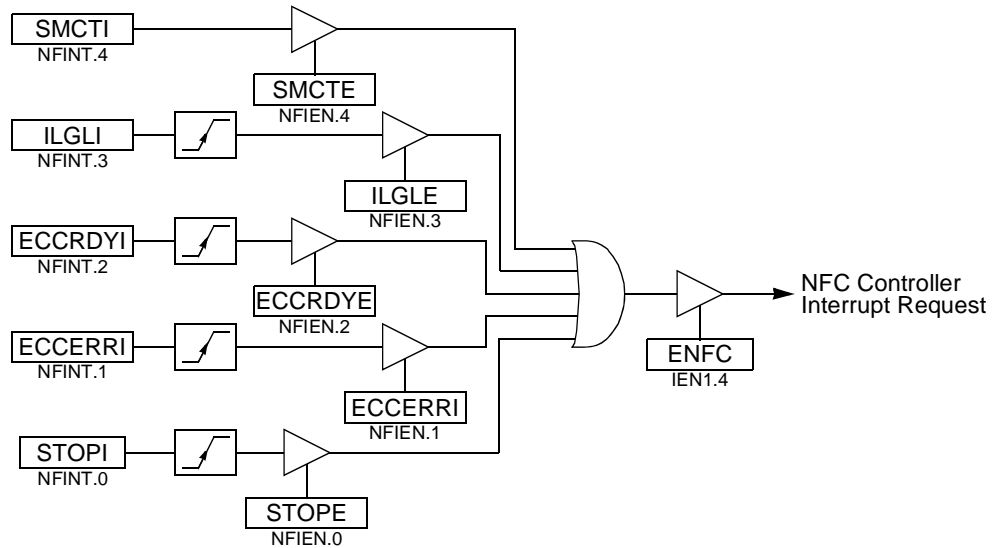
**Interrupt Unit**

As shown in Figure 84, the NF controller implements five interrupt sources reported in SMCTI, ILGLI, ECCRDYI, ECCERRI, STOPI flags in NFINT register. These flags must be cleared by software when processing the interrupt service routine.

All these sources are enabled separately using SMCTE, ILGLE, ECCRDYE, ECCERRE, STOPE enable bits respectively in NFIEN register.

The interrupt request is generated each time an enabled flag is set, and the global NFC controller interrupt enable bit is set (ENFC in IEN1 register).

**Figure 84.** NFC Controller Interrupt System



There are 2 kinds of interrupts: processing (i.e. their generation is part of the normal processing) and exception (i.e. their generation correspond to error cases).

Processing interrupts are generated when:

- running to not running state transition (STOPI)
- ECC ready for operation (ECCRDYI)
- SMC insertion or removal (SMCTI)

Exception Interrupts are generated when the following events are met:

- ECC error (ECCERRI)

- or illegal operation (ILGLI)
  - Attempt to access a NF device which is not declared (e.g. DEV= 4 while NUMDEV= 2)
  - Write of events (NFDATF, NFDAT, NFCMD, NFADC, NFADR) while NFC is running (NFRUN= 1).  
Note that writing in NFACT while NFC is running (RUN=1) does not lead to an ILGLI interrupt.

As soon as an enabled interrupt is triggered, the NFC becomes not running (NFRUN= 0).

## Registers

**Table 202.** NFCFG Register

NFCFG (1.99h) – Nand Flash Controller Configuration Register

	7	6	5	4	3	2	1	0
	NFGD7	NFGD6	NFGD5	NFGD4	NFGD3	NFGD2	NFGD1	NFGD0

Bit Number	Bit Mnemonic	Description
7-0	NFGD7:0	<b>Nand Flash Configuration 8-byte Data FIFO</b> <b>Read Mode</b> Reading from this register resets the FIFO manager. <b>Write Mode</b> Write 8 bytes of data to update the NFC configuration registers according to Table 188.

Reset Value = 0000 0000b

**Table 203.** NFLOG Register

NFLOG (1.9Ah) – Nand Flash Controller Logical Block Address Register

	7	6	5	4	3	2	1	0
	NFLAD7	NFLAD6	NFLAD5	NFLAD4	NFLAD3	NFLAD2	NFLAD1	NFLAD0

Bit Number	Bit Mnemonic	Description
7-0	NFLAD7:0	<b>Nand Flash Logical Address 2-byte Data FIFO</b> <b>Read Mode</b> Reading from this register resets the FIFO manager logical block address. <b>Write Mode</b> Write 2 bytes of data (MSB first) to update the NFC logical block address according to Table 197.

Reset Value = 0000 0000b



**Table 204.** NFCON Register

NFCON (1.9Bh) – Nand Flash Controller Control Register

7	6	5	4	3	2	1	0
-	-	-	TRS	NFWP	SPZEN	ECCEN	NFEN
Bit Number	Bit Mnemonic	Description					
7-5	-	<b>Reserved</b> The value read from these bits is always 0. Do not set these bits.					
4	TRS	<b>Timing Read Select Bit</b> Set to use timing [1; 1] for read cycle. Clear to use timing [1.5; 0.5] for read cycle.					
3	NFWP	<b>Write Protect Bit</b> Set to unprotect the flash devices ( $\overline{\text{NFWP}}$ signal de-asserted). Clear to protect the flash devices (NFWP signal asserted).					
2	SPZEN	<b>Spare Zone management enable Bit</b> Set to enable the spare zone management Clear to disable the spare zone management.					
1	ECCEN	<b>ECC management enable Bit</b> Set to enable the ECC calculation. Clear to disable the ECC calculation.					
0	NFEN	<b>General NFC Enable Bit</b> Set to enable the NF controller. Clear to put the NFC is in the 'suspend' state.					

**Table 205.** NFERR Register

NFERR (1.9Ch) – Nand Flash Controller ECC Error Information Register

7	6	5	4	3	2	1	0
ERR7	ERR6	ERR5	ERR4	ERR3	ERR2	ERR1	ERR0
Bit Number	Bit Mnemonic	Description					
7-0	ERR7:0	<b>Error Descriptor 4-byte Data FIFO</b> Sequential reading returns the 4-byte ECC error descriptor (see Table 199). This register is updated following an ECC error (ECCERRI set).					

Reset Value = 0000 0000b

**Table 206.** NFADR Register

NFADR (1.9Dh) – Nand Flash Controller Row Address Register

7	6	5	4	3	2	1	0
NFRAD7	NFRAD6	NFRAD5	NFRAD4	NFRAD3	NFRAD2	NFRAD1	NFRAD0
Bit Number	Bit Mnemonic	Description					
7-0	NFRAD7:0	<b>Row Address Byte</b>					

Reset Value = 0000 0000b



**Table 207.** NFADC Register

NFADC (1.9Eh) – Nand-Flash Controller Column Address Register

7	6	5	4	3	2	1	0
NFCAD7	NFCAD6	NFCAD5	NFCAD4	NFCAD3	NFCAD2	NFCAD1	NFCAD0
Bit Number	Bit Mnemonic	Description					
7-0	NFCAD7:0	Column Address Byte					

Reset Value = 0000 0000b

A read of that register returns an unexpected value.

**Table 208.** NFCMD Register

NFCMD (1.9Fh) – Nand-Flash Controller Command Register

7	6	5	4	3	2	1	0
CMD7	CMD6	CMD5	CMD4	CMD3	CMD2	CMD1	CMD0
Bit Number	Bit Mnemonic	Description					
7-0	CMD7:0	Command Data Byte					

Reset Value = 0000 0000b

**Table 209.** NFACT Register

NFACT (1.A1h) – Nand-Flash Controller Action Register

7	6	5	4	3	2	1	0
-	-	-	EXT1	EXT0	ACT2	ACT1	ACT0
Bit Number	Bit Mnemonic	Description					
7-5	-	<b>Reserved</b> The value read from these bits is always 0. Do not set these bits.					
4-3	EXT1:0	<b>Extension Bits</b> Refer to Table 192 for the bit description.					
2-0	ACT2:0	<b>Action Bits</b> Refer to Table 192 for the bit description.					

Reset Value = 0000 0000b

**Table 210.** NFDAT Register

NFDAT (1.A2h) – Nand-Flash Controller Data Access Register

	7	6	5	4	3	2	1	0
	DATD7	DATD6	DATD5	DATD4	DATD3	DATD2	DATD1	DATD0

Bit Number	Bit Mnemonic	Description
7-0	DATD7:0	<b>Data Byte</b> Writing data sends a data to the currently selected NF. Reading data gets the data returned by the last read cycle.

Reset Value = 0000 0000b

**Table 211.** NFDATF Register

NFDATF (1.A3h) – Nand-Flash Controller Data Access and Fetch Next Data Register

	7	6	5	4	3	2	1	0
	DATFD7	DATFD6	DATFD5	DATFD4	DATFD3	DATFD2	DATFD1	DATFD0

Bit Number	Bit Mnemonic	Description
7-0	DATFD7:0	<b>Data Byte</b> Writing data sends a data to the currently selected NF. Reading data gets the data returned by the last read cycle and relaunch a read cycle on the currently selected NF.

Reset Value = 0000 0000b

**Table 212.** NFSTA Register

NFSTA (1.98h) – Nand Flash Controller Status Register

	7	6	5	4	3	2	1	0
	SMCD	SMLCK	-	NFEOP	NECC2	NECC1	NECC0	NFRUN

Bit Number	Bit Mnemonic	Description
7	SMCD	<b>SmartMediaCard Detection Flag</b> Set by hardware when the SMINS input is High. Cleared by hardware when the SMINS input is Low.
6	SMLCK	<b>SmartMedia Card Lock Flag</b> Set by hardware when the SMC is write-protected. Cleared by hardware when the SMC is not write-protected.
5	-	<b>Reserved</b> The value read from this bit is always 0. Do not set this bit.
4	NFEOP	<b>End Of Page Flag</b> Set by hardware when the controller stops at the end of the page. clear by hardware if the controller did not reach the end of the page.
3-1	NECC2:0	<b>Number of ECC Bits</b> Set/clear by hardware. See Section “ECC Error Management” for more details.



Bit Number	Bit Mnemonic	Description
0	NFRUN	<b>Running Flag</b> Set by hardware to signal that it is currently running. Cleared by hardware to signal it is not running.

Reset Value = 0000 0000b

**Table 213.** NFECC Register

NFECC (1.A4h) – Nand Flash Controller ECC 1 and ECC 2 Register

7	6	5	4	3	2	1	0
NFED7	NFED6	NFED5	NFED4	NFED3	NFED2	NFED1	NFED0
Bit Number	Bit Mnemonic	Description					
7-0	NFED7:0	<b>Nand Flash ECC 6-byte Data FIFO</b> <b>Read Mode</b> Sequential reading returns 2 ECC values of 3 bytes. <b>Write Mode</b> Writing any data resets the ECC engine and the FIFO manager.					

Reset Value = 0000 0000b

**Table 214.** NFINT Register

NFINT (1.A5h) – Nand Flash Controller Interrupt Register

7	6	5	4	3	2	1	0
-	-	-	SMCTI	ILGLI	ECCRDYI	ECCERRI	STOPI
Bit Number	Bit Mnemonic	Description					
7-5	-	<b>Reserved</b> The value read from these bits is always 0. Do not set these bits.					
4	SMCTI	<b>SmartMedia Card Transition Interrupt Flag</b> Set by hardware every time SMCD bit in NFSTA is toggling. Shall be cleared by software.					
3	ILGLI	<b>ILLEGAL operation Interrupt Flag</b> Set by hardware when an illegal operation is performed. Shall be cleared by software.					
2	ECCRDYI	<b>ECC Ready Interrupt Flag</b> Set by hardware when the ECCs (6 bytes) are ready for operation. This bit is set/clear even if the spare zone is automatically managed (ECCEN). Shall be cleared by software.					
1	ECCERRI	<b>ECC Error Interrupt Flag</b> Set by hardware when a bad ECC is seen. Shall be cleared by software.					
0	STOPI	<b>Stop Interrupt Flag</b> Set by hardware when a running (NFRUN= 1) to not running (NFRUN= 0) transition is met (end of page, end of data transfer, ...) Shall be cleared by software.					

Reset Value = 0000 0000b

**Table 215.** NFIEN Register

NFIEN (1.A6h) – Nand Flash Controller Interrupt Enable Register

7	6	5	4	3	2	1	0
-	-	-	SMCTE	ILGLE	ECCRDYE	ECCERRE	STOPE
Bit Number	Bit Mnemonic	Description					
7-5	-	<b>Reserved</b> The value read from these bits is always 0. Do not set these bits.					
4	SMCTE	<b>SMC Transition Interrupt Enable Bit</b> Set to enable the SMCTI interrupt. Clear to disable the SMCTI interrupt.					
3	ILGLE	<b>Illegal Operation Interrupt Enable Bit</b> Set to enable the ILGLI interrupt. Clear to disable the ILGLI interrupt.					
2	ECCRDYE	<b>ECC Ready Interrupt Enable Bit</b> Set to enable the ECCRDYI interrupt. Clear to disable the ECCRDYI interrupt.					
1	ECCERRE	<b>ECC Error Interrupt Enable Bit</b> Set to enable the ECCERRI interrupt. Clear to disable the ECCERRI interrupt.					
0	STOPE	<b>Stop Interrupt Enable Bit</b> Set to enable the STOPI interrupt. Clear to disable the STOPI interruption.					

Reset Value = 0000 0000b

**Table 216.** NFUDAT Register

NFUDAT (1.A7h) – Nand Flash Controller User Data Register

7	6	5	4	3	2	1	0
NFUD7	NFUD6	NFUD5	NFUD4	NFUD3	NFUD2	NFUD1	NFUD0
Bit Number	Bit Mnemonic	Description					
7-0	NFUD7:0	<b>Nand Flash User Data Byte</b> User defined byte stored in byte position 3 of each spare zone.					

Reset Value = 0000 0000b



**Table 217.** NFBPH Register

NFUDAT (1.94h) – Nand Flash Controller Byte Position (MSB) Register

7	6	5	4	3	2	1	0
BP15	BP14	BP13	BP12	BP11	BP10	BP9	BP8
Bit Number	Bit Mnemonic	Description					
7-0	BP15:8	<b>Nand Flash Position High Byte</b> Most significant byte of the Byte Position counter.					

Reset Value = 0000 0000b

**Table 218.** NFBPL Register

NFUDAT (1.95h) – Nand Flash Controller Byte Position (LSB) Register

7	6	5	4	3	2	1	0
BP7	BP6	BP5	BP4	BP3	BP2	BP1	BP0
Bit Number	Bit Mnemonic	Description					
7-0	BP7:0	<b>Nand Flash Position Low Byte</b> Least significant byte of the Byte Position counter.					

Reset Value = 0000 0000b

## MMC/SD Controller

The AT85C51SND3Bx embed a MMC/SD controller allowing connecting of MMC and SD cards in 1-bit or 4-bit modes. For MMC, 4-bit mode rely on the MMC Specification V4.0.

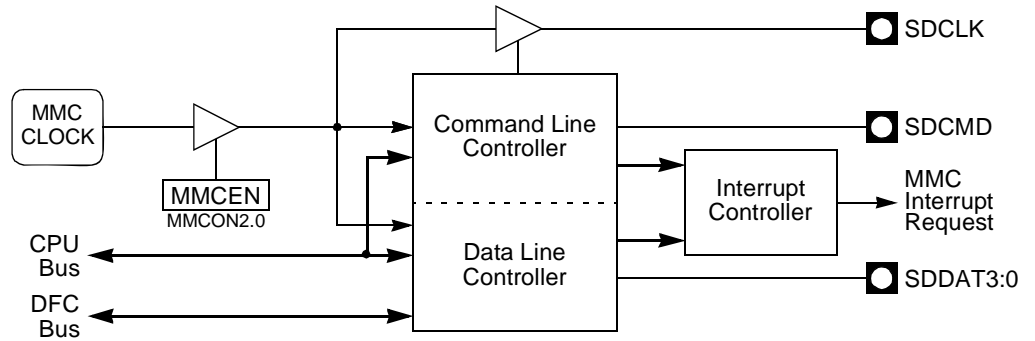
The MMC/SD controller interfaces to the C51 core through the following special function registers:

MMCON0, MMCON1, MMCON2, the three MMC control registers (see Table 221 to Table 223); MMBLP, the MMC Block Length register (see Table 224); MMSTA, the MMC status register (see Table 225); MMINT, the MMC interrupt register (see Table 226); MMMSK, the MMC interrupt mask register (see Table 227); MMCMD, the MMC command register (see Table 228); and MMDAT, the MMC data register (see Table 229).

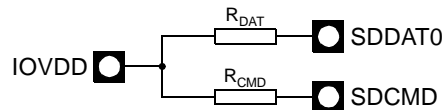
As shown in Figure 85, the MMC controller is based on four functional blocks: the clock generator that handles the SDCLK (formally the MMC/SD CLK) output to the card, the command line controller that handles the SDCMD (formally the MMC/SD CMD) line traffic to or from the card, the data line controller that handles the SDDAT (formally the MMC/SD DAT) line traffic to or from the card, and the interrupt controller that handles the MMC controller interrupt sources. These blocks are detailed in the following sections.

Figure 86 shows the external components to add for connecting a MMC or a SD card to the AT85C51SND3B. SDDAT0 and SDCMD signals are connected to pull-up resistors. Value of these resistors is detailed in the Section "DC Characteristics", page 241.

**Figure 85.** MMC Controller Block Diagram



**Figure 86.** MMC Connection



## Clock Generator

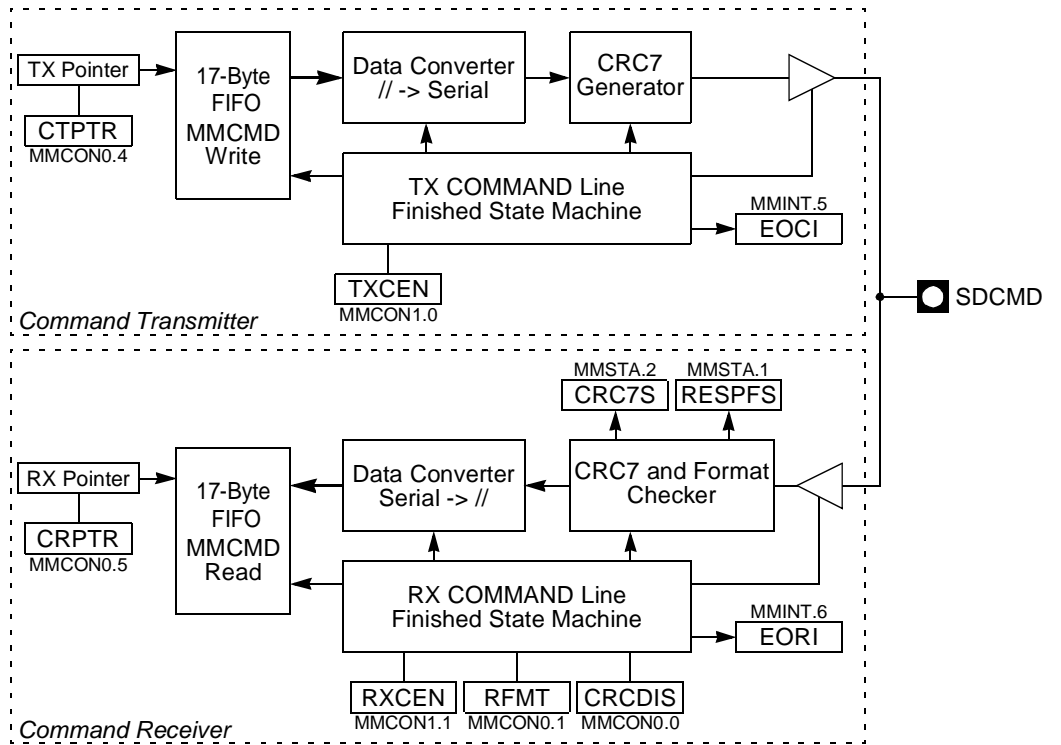
The MMC clock is generated based on the clock generator as detailed in Section "MMC Clock Generator", page 31. As soon as MMCEN bit in MMCON2 is set, the MMC controller receives its system clock. The MMC command and data clock is generated on SDCLK output and sent to the command line and data line controllers.

## Command Line Controller

As shown in Figure 87, the command line controller is divided in 2 channels: the command transmitter channel that handles the command transmission to the card through the SDCMD line and the command receiver channel that handles the response recep-

tion from the card through the SDCMD line. These channels are detailed in the following sections.

**Figure 87.** Command Line Controller Block Diagram



### Command Transmitter

For sending a command to the card, the command index (1 Byte) and argument (4 Bytes) must be loaded in the command transmit FIFO using the MMCMD register. Before starting transmission by setting the TXCEN bit in MMCON1 register, software must first configure:

- RXCEN bit in MMCON1 register to indicate whether a response is expected or not.
- RFMT bit in MMCON0 register to indicate the response size expected.
- CRCDIS bit in MMCON0 register to indicate whether the CRC7 included in the response will be computed or not. In order to avoid CRC error, CRCDIS may be set for response that do not include CRC7.

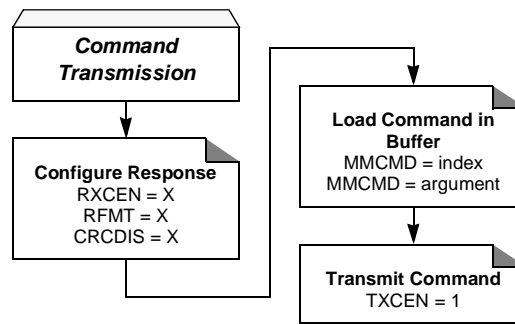
Figure 88 summarizes the command transmission flow.

The TXCEN flag is set until the end of transmission. The end of the command transmission is signalled by the EOCI flag in MMINT register becoming set. This flag may generate an interrupt request as detailed in Section “Interrupt”. The end of the command transmission also clears the TXCEN flag.

Command loading may be aborted by setting and clearing the CTPTR bit in MMCON0 register which resets the write pointer to the transmit FIFO.



Figure 88. Command Transmission Flow



**Command Receiver**

The end of the response reception is signalled by the EORI flag in MMINT register. This flag may generate an interrupt request as detailed in Section "Interrupt". When this flag is set, 2 other flags (RXCEN in MMCON1 register and CRC7S in MMSTA register) give a status on the response received. RXCEN is cleared when the response format is correct or not: the size is the one expected (48 bits or 136 bits) and a valid End bit has been received, and CRC7S indicates if the CRC7 computation is correct or not. The Flag CRC7S is cleared when a command is sent to the card and updated when the response has been received.

Response reading may be aborted by setting and clearing the CRPTR bit in MMCON0 register which resets the read pointer to the receive FIFO.

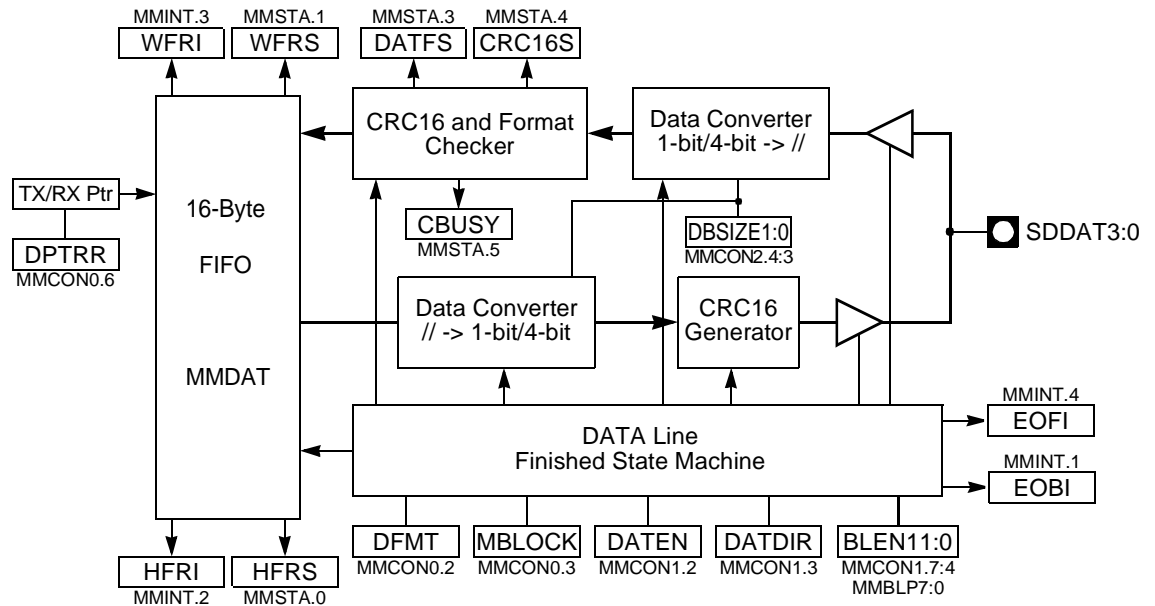
According to the MMC specification delay between a command and a response (formally  $N_{CR}$  parameter) can not exceed 64 MMC clock periods. To avoid any locking of the MMC controller when card does not send its response (e.g. physically removed from the bus), a time-out timer must be launched to recover from such situation. In case of time-out the command controller and its internal state machine may be reset by setting and clearing the CCR bit in MMCON2 register.

This time-out may be disarmed when receiving the response.

## Data Line Controller

As shown in Figure 89, the data line controller is based on a 16-Byte FIFO used both by the data transmitter channel and by the data receiver channel. Data transfer can be handled in transmission or received by the Data Flow Controller (see Section “Data Flow Controller”, page 78) or by the C51 using MMDAT register.

**Figure 89.** Data Line Controller Block Diagram



## Bus Width Control

The data line controller supports the SD card and the new MMC 4.0 4-bit bus mode allowing higher transfer rate. The 4-bit bus width is controlled by software by setting the DBSIZE1:0 bits in MMCON2 register according to Table 219. In case of 1-bit bus width (card default), SDDAT0 is used as SDDAT line and SDDAT3:1 lines are released as I/O port.

**Table 219.** Data Bus Size

DBSIZE1:0	Bus Size
0	1-bit SDDAT0 data bus.
1	4-bit SDDAT3:0 data bus.
2-3	Reserved for future use, do not program these values.

## FIFO Implementation

The 16-Byte FIFO is managed using 1 pointer and four flags indicating the status ready of whole or half FIFO.

Pointer value is not accessible by software but can be reset at any time by setting and clearing DPTRR bit in MMCON0 register. Resetting the pointer is equivalent to abort the writing or reading of data.

FIFO flags indicate when FIFO is ready to be read in receive mode or to be written in transmit mode. WFR1 is set when 16 bytes are available in writing or reading. HFRI is set when 8 bytes are available. These flags are cleared when read. These flags may generate an interrupt request as detailed in Section “Interrupt”. WFRS and HFRS give the status of the FIFO. They are set when respectively 16 bytes or 8 bytes are ready to be read or written depending on the receive or transmit mode.

## Data Configuration

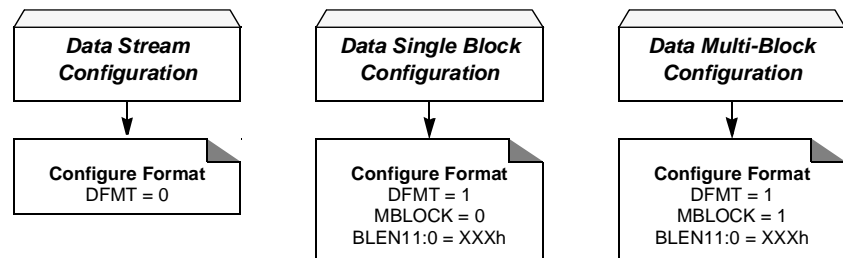
Before sending or receiving any data, the data line controller must be configured according to the type of the data transfer considered. This is achieved using the Data Format bit: DFMT in MMCON0 register. Clearing DFMT bit enables the data stream format while setting DFMT bit enables the data block format. In data block format, the single or multi-block mode must also be configured by clearing or setting the MBLOCK bit in MMCON0 register and the block length in bytes using BLEN11:0<sup>(1)</sup> bits in MMCON1 and MMBLP according to Table 220. Figure 90 summarizes the data modes configuration flows. BLEN can have any value between 1 to 2048.

**Table 220.** Block Length Programming

Register	Description
<b>MMBLP7:0</b>	Block Size LSB: BLEN11:8
<b>MMCON1.7:4</b>	Block Size MSB (LSN): BLEN7:0

Note: 1. BLEN = 1to 2048

**Figure 90.** Data Controller Configuration Flows



## Data Transmitter

### Configuration

For transmitting data to the card the data controller must be configured in transmission mode by setting the DATDIR bit in MMCON1 register.

Figure 91 summarizes the data stream transmission flows in both polling and interrupt modes while Figure 92 summarizes the data block transmission flows in both polling and interrupt modes, these flows assume that block length is greater than 16 Bytes.

### DFC Data Loading

In case the data transfer is handled by the DFC, a DFC channel must be configured with the MMC controller as destination peripheral. The programmed number of data is autonomously transferred from the source peripheral to the FIFO without any intervention from the firmware.

In case both FIFO are empty (e.g. source peripheral busy), card clock is automatically frozen stopping card data transfer thanks to the controller automatic flow control.

### C51 Data Loading

In case the data transfer is handled by the C51<sup>(1)</sup>, data is loaded byte by byte in the FIFO by writing to MMDAT register. Number of data loaded may vary from 1 to 16 Bytes. Then if necessary (more than 16 Bytes to send) software must ensure that all FIFO or half FIFO becomes empty (WFRS or HFRS set) before loading 16 or 8 new data.

In case both FIFO are empty, card clock is automatically frozen stopping card data transfer thanks to the controller automatic flow control.

Note: 1. An enabled DFC transfer always takes precedence on a C51 transfer, it is under software responsibility not to write to MMDAT register while a DFC transfer is enabled.

### *Data Transmission*

Transmission is enabled by setting DATEN bit in MMCON1 register. FIFO must be filled after this flag is set.

If at least the FIFO is half full, data is transmitted immediately when the response to the write command has already been received, or is delayed after the reception of the response if its status is correct. In both cases transmission is delayed if a card sends a busy state on the data line until the end of this busy condition.

According to the MMC specification, the data transfer from the host to the card may not start sooner than 2 MMC clock periods after the card response was received (formally  $N_{WR}$  parameter). To address all card types, this delay can be programmed using DATD1:0 bits in MMCON2 register from 3 MMC clock periods when DATD1:0 bits are cleared to 9 MMC clock periods when DATD1:0 bits are set, by step of 2 MMC clock periods.

### *End of Transmission*

In data stream mode, the end of a data frame transmission is signalled by the EOFI flag in MMINT register. This flag may generate an interrupt request as detailed in Section “Interrupt”. It is set, after reception of the End bit. This assumes that the STOP command has previously been sent to the card, which is the only way to stop stream transfer.

In data single block mode, the end of a data frame transmission is signalled by the EOFI flag in MMINT register. This flag may generate an interrupt request as detailed in Section “Interrupt”. It is set after the end of busy signal on SDDAT0 line.

After reception of the CRC status token, two other flags in MMSTA register: DATFS and CRC16S report a status on the frame sent. DATFS indicates if the CRC status token format is correct or not, and CRC16S indicates if the card has found the CRC16 of the block correct or not. CRC16S must be reset by software by setting DCR bit in MMCON2 register.

EOBI flag in MMINT register is also set at the same time as EOFI, and may generate an interrupt request as detailed in Section “Interrupt”

In data multi block mode, the end of a data frame transmission is signalled by the EOFI flag in MMINT register. This flag may generate an interrupt request as detailed in Section “Interrupt”. It is set after the end of busy signal on SDDAT0 line. This assumes that the STOP command has previously been sent to the card, which is the only way to stop stream transfer.

The end of a block transmission is signalled by the EOBI flag in MMINT register. This flag may generate an interrupt request as detailed in Section “Interrupt”. It is set after the end of busy signal on SDDAT0 line.

After reception of the CRC status token of a block, two other flags in MMSTA register: DATFS and CRC16S report a status on the frame sent. DATFS indicates if the CRC status token format is correct or not, and CRC16S indicates if the card has found the CRC16 of the block correct or not. CRC16S must be reset by software by setting DCR bit in MMCON2 register.

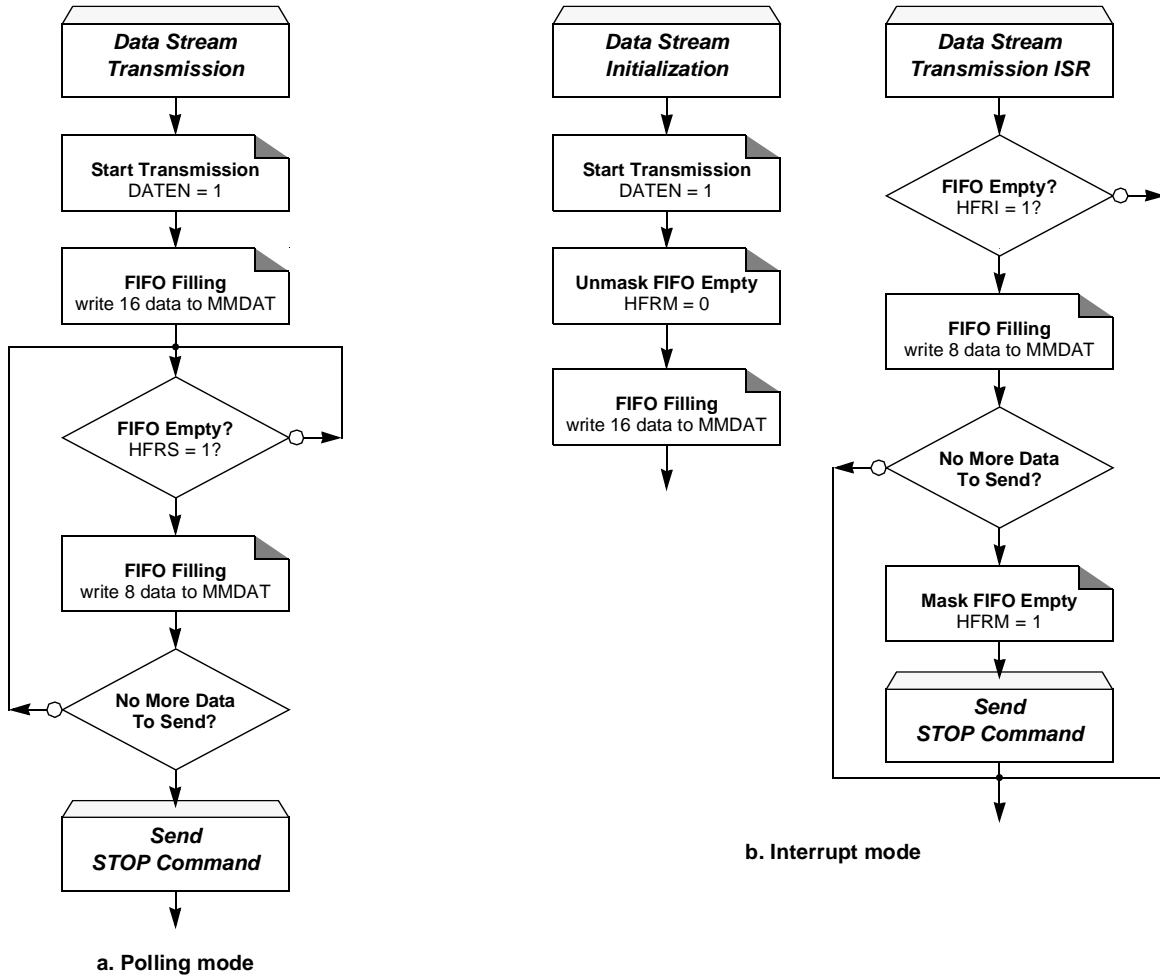
### *Busy Status*

The card uses a busy token during a block write operation. This busy status is reported by the CBUSY flag in MMSTA register.

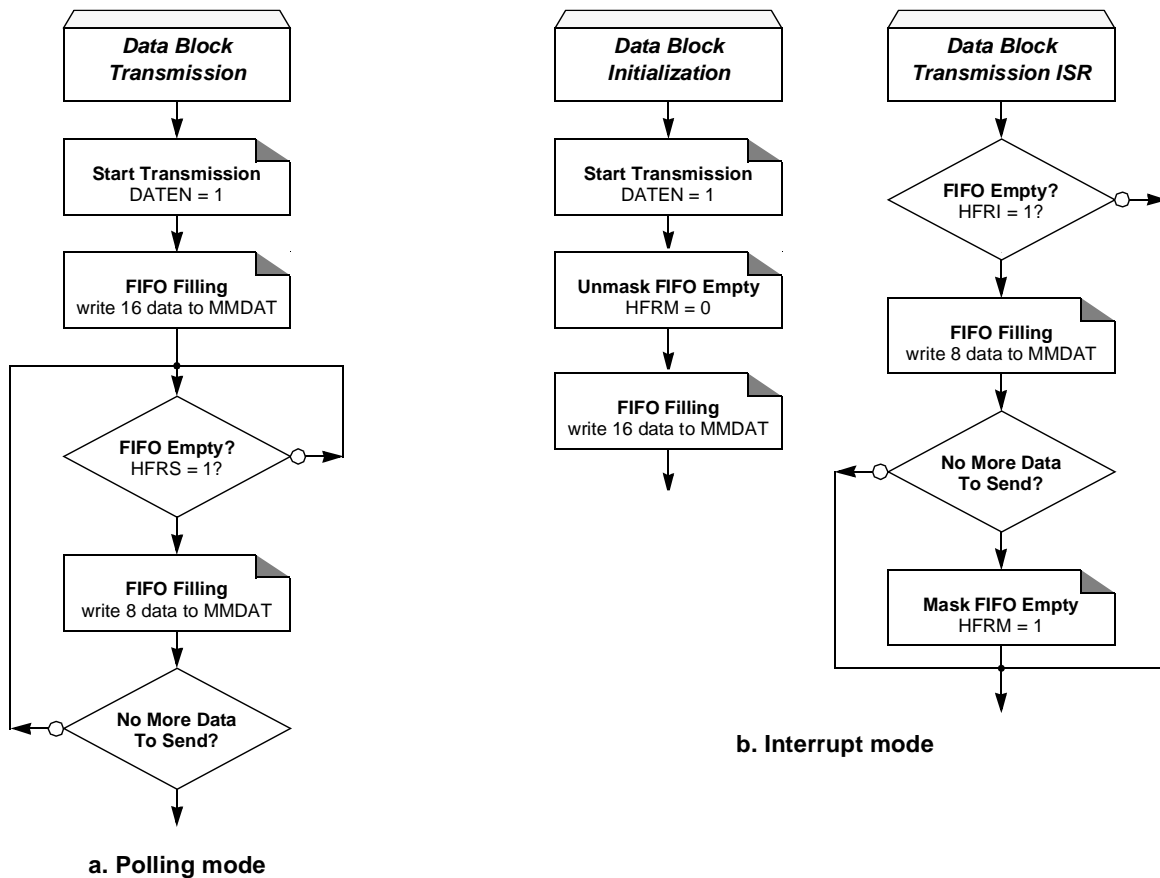
The busy signal is set to 0 by the card after the CRC token. At the end of busy signal, the flag DATEN is cleared and EOFI flag is set.

Note: some cards do not respect MMC specification, and the busy status is reported too late on the dat0 line, considering the  $N_{st}$  parameter. So CBUSY flag is not set. In this case, status of the card must be asked with a card command.

Figure 91. Data Stream Transmission Flows



**Figure 92. Data Block Transmission Flows**



## Data Receiver

### Configuration

To receive data from the card the data controller must be configured in reception mode by clearing the DATDIR bit in MMCON1 register.

Figure 93 summarizes the data stream reception flows in both polling and interrupt modes while Figure 94 summarizes the data block reception flows in both polling and interrupt modes, these flows assume that block length is greater than 16 Bytes.

### Data Reception

Reception is enabled by setting DATEN bit in MMCON1 register. The end of a data frame (block(s) or stream) reception is signalled by the EOFI flag in MMINT register. In multiblock mode, OEBI flag signals the reception of one block. These flags may generate an interrupt request as detailed in Section “Interrupt”. When EOFI flag is set, 2 other flags in MMSTA register: DATFS and CRC16S give a status on the frame received. DATFS indicates if the frame format is correct or not: a valid End bit has been received, and CRC16S indicates if the CRC16 computation is correct or not. CRC16S must be reset by software by setting DCR bit in MMCON2 register. In case of data stream CRC16S has no meaning and stays cleared. DATEN flag is cleared when EOFI is set.

According to the MMC specification data transmission from the card starts after the access time delay (formally  $N_{AC}$  parameter) beginning from the End bit of the read command. To avoid any locking of the MMC controller when card does not send its data (e.g. physically removed from the bus), a time-out timer must be launched to recover

from such situation. In case of time-out, the data controller and its internal state machine may be reset by setting and clearing the DCR bit in MMCON2 register.

This time-out may be disarmed after receiving 8 data (HFRS flag set) or after receiving end of frame (EOFI flag set) in case of block length less than 8 data (1, 2 or 4).

### DFC Data Reading

In case the data transfer is handled by the DFC, a DFC channel must be configured with the MMC controller as source peripheral. The programmed number of data is autonomously transferred from the FIFO to the destination peripheral without any intervention from the firmware.

In case both FIFO are full (e.g. destination peripheral busy), card clock is automatically frozen stopping card data transfer thanks to the controller automatic flow control.

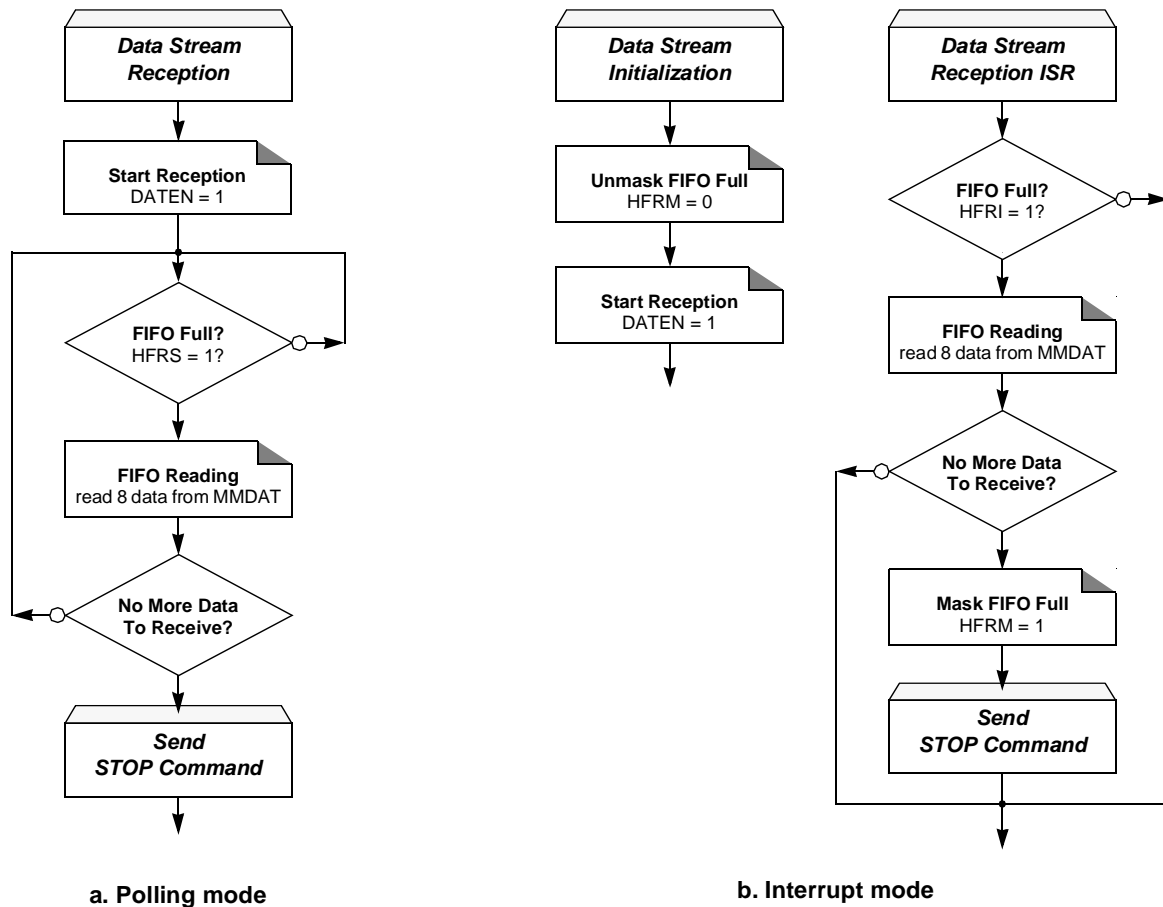
### C51 Data Reading

In case the data transfer is handled by the C51<sup>(1)</sup>, data is read byte by byte from the FIFO by reading MMDAT register. Each time FIFO becomes full or half full (WFRI or HFRS set), software is requested to flush this FIFO by reading 16 or 8 data.

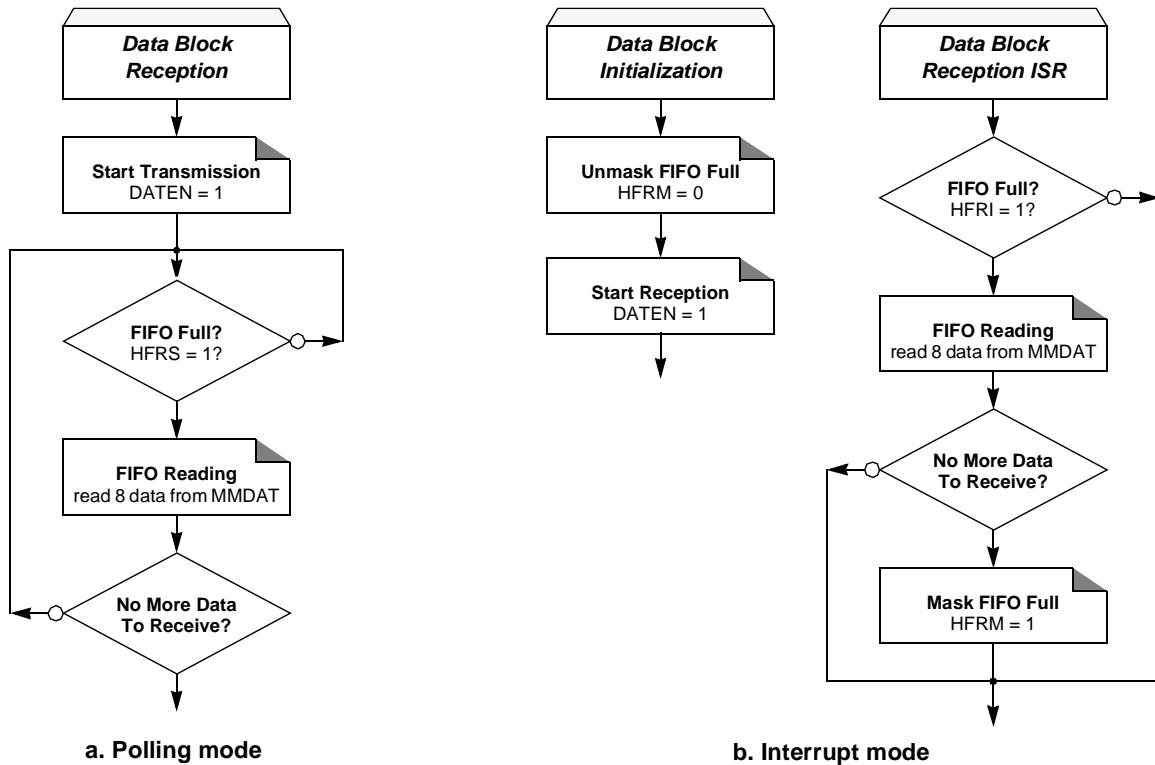
In case FIFO is full, card clock is automatically frozen stopping card data transfer thanks to the controller automatic flow control.

Note: 1. An enabled DFC transfer always takes precedence on a C51 transfer, it is under software responsibility not to read from MMDAT register while a DFC transfer is enabled.

**Figure 93.** Data Stream Reception Flows



**Figure 94. Data Block Reception Flows**



## Card Management

### Card Detect Input

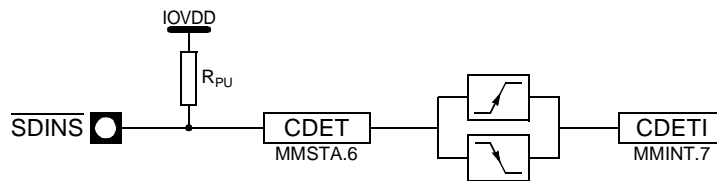
As shown in Figure 95 the  $\overline{\text{SDINS}}$  (MMC/SD Card Detect) input implements an internal pull-up, in order to provide static high level when card is not present in the socket.

$\overline{\text{SDINS}}$  level is reported by CDET bit<sup>(1)</sup> in MMSTA.

As soon as MMC controller is enabled, all level modifications on  $\overline{\text{SDINS}}$  input from H to L or from L to H (card insertion or removal) set CDETI, the Card Detect Interrupt flag in MMINT (see Table 226).

Note: 1. CDET bit is not relevant until MMC controller is enabled (MMCEN = 1).

**Figure 95. Card Detection Input Block Diagram**



### Card Lock Input

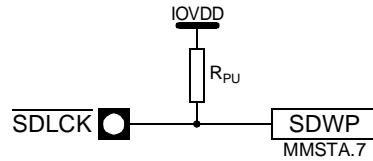
As shown in Figure 96 the  $\overline{\text{SDLCK}}$  (SD Lock) input implements an internal pull-up, in order to provide static high level when card is not present in the socket.

$\overline{\text{SDLCK}}$  level is reported by SDWP bit<sup>(1)</sup> in MMSTA register.

Note: 1. SDWP bit is not relevant until MMC controller is enabled (MMCEN = 1) and a card is present in the socket (CDET = 0).



Figure 96. SD Card Write Protection Input Block Diagram



**Interrupt**

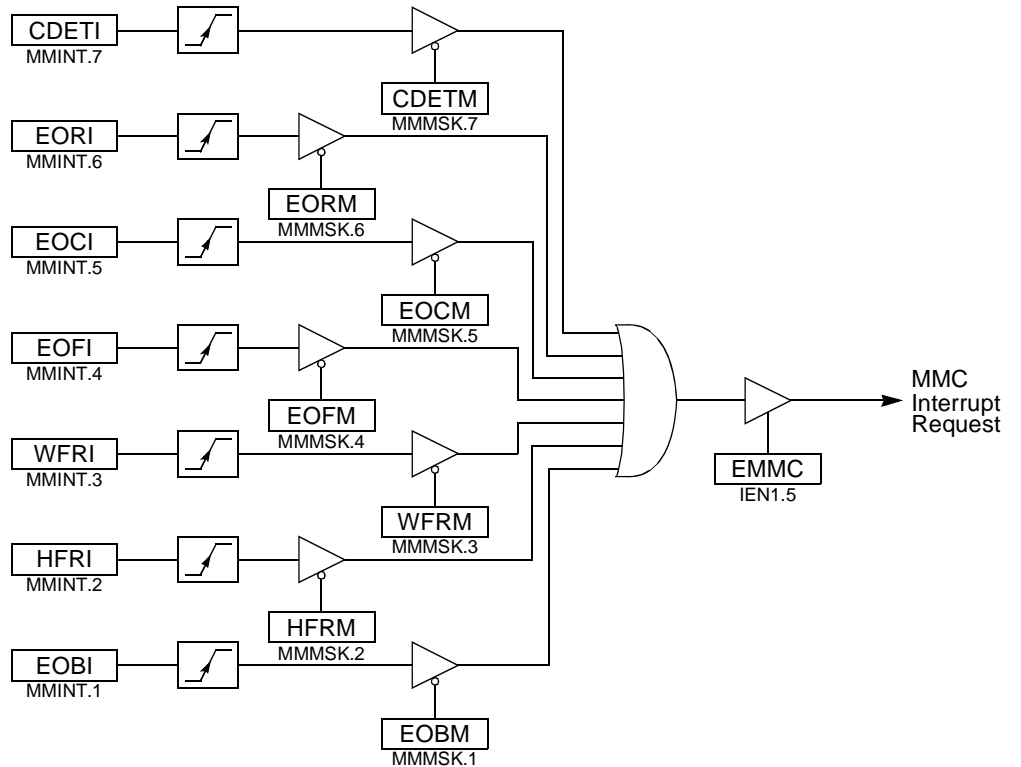
As shown in Figure 97, the MMC controller implements eight interrupt sources reported in CDETI, EORI, EOCI, EOFI, WFRI, HFRI and EOBI flags in MMCINT register. These flags are detailed in the previous sections.

All these sources are maskable separately using CDETM, EORM, EOVM, EOFM, WFRM, HFRM and EOVM mask bits respectively in MMMSK register.

The interrupt request is generated each time an unmasked flag is set, and the global MMC controller interrupt enable bit is set (EMMC in IEN1 register).

Reading the MMINT register automatically clears the interrupt flags (acknowledgment). This implies that register content must be saved, and tested flag by flag to be sure not to forget any interrupts.

Figure 97. MMC Controller Interrupt System



## Registers

**Table 221.** MMCON0 Register

MMCON0 (1.B1h) – MMC Control Register 0

7	6	5	4	3	2	1	0	
-	DPTRR	CRPTR	CTPTR	MBLOCK	DFMT	RFMT	CRCDIS	
Bit Number	Bit Mnemonic	Description						
7	-	<b>Reserved</b> The value read from this bit is always 0. do not set this bit						
6	DPTRR	<b>Data Pointer Reset Bit</b> Set to reset the read and write pointer of the data FIFO. Cleared by hardware after pointer reset is achieved.						
5	CRPTR	<b>Command Receive Pointer Reset Bit</b> Set to reset the read pointer of the receive command FIFO. Cleared by hardware after pointer reset is achieved.						
4	CTPTR	<b>Command Transmit Pointer Reset Bit</b> Set to reset the write pointer of the transmit command FIFO. Cleared by hardware after pointer reset is achieved.						
3	MBLOCK	<b>Multi-block Enable Bit</b> Set to select multi-block data format. Clear to select single block data format.						
2	DFMT	<b>Data Format Bit</b> Set to select the block-oriented data format. Clear to select the stream data format.						
1	RFMT	<b>Response Format Bit</b> Set to select the 48-bit response format. Clear to select the 136-bit response format.						
0	CRCDIS	<b>CRC7 Disable Bit</b> Set to disable the CRC7 computation when receiving a response. Clear to enable the CRC7 computation when receiving a response.						

Reset Value = 0000 0010b

**Table 222.** MMCON1 Register

MMCON1 (1.B2h) – MMC Control Register 1

7	6	5	4	3	2	1	0	
BLEN3	BLEN2	BLEN1	BLEN0	DATDIR	DATEN	RESPEN	CMDEN	
Bit Number	Bit Mnemonic	Description						
7-4	BLEN11:8	<b>Block Length Bits</b> Refer to Table 220 for bits description.						
3	DATDIR	<b>Data Direction Bit</b> Set to select data transfer from host to card (write mode). Clear to select data transfer from card to host (read mode).						

Bit Number	Bit Mnemonic	Description
2	DATEN	<b>Data Transfer Enable Bit</b> Set to enable data transmission or reception immediately or after response has been received. Cleared by hardware after the CRC reception in reception mode or after the busy status if any in transmission mode.
1	RXCEN	<b>Response Command Enable Bit</b> Set to enable the reception of a response following a command transmission. Cleared by hardware when response is received.
0	TXCEN	<b>Command Transmission Enable Bit</b> Set to enable transmission of the command FIFO to the card. Cleared by hardware when command is transmitted.

Reset Value = 0000 0000b

**Table 223.** MMCON2 Register

MMCON2 (1.B3h) – MMC Control Register 2

	7	6	5	4	3	2	1	0
	FCK	DCR	CCR	DBSIZE1	DBSIZE0	DATD1	DATD0	MMCEN

Bit Number	Bit Mnemonic	Description
7	FCK	<b>MMC Force Clock Bit</b> Set to enable the MCLK clock out permanently. Clear to disable the MCLK clock and enable flow control.
6	DCR	<b>Data Controller Reset Bit</b> Set to reset the data line controller in case of transfer abort, or to reset CRC16S bit after an error occurs. Cleared by hardware after the data line controller reset is achieved.
5	CCR	<b>Command Controller Reset Bit</b> Set to reset the command line controller in case of transfer abort. Cleared by hardware after the data line controller reset is achieved.
4-3	DBSIZE1:0	<b>Data Bus Size</b> Refer to Table 219 for bits description.
2-1	DATD1:0	<b>Data Transmission Delay Bits</b> Used to delay the data transmission after a response from 3 MMC clock periods (all bits cleared) to 9 MMC clock periods (all bits set) by step of 2 MMC clock periods.
0	MMCEN	<b>MMC Clock Enable Bit</b> Set to enable the MMC clocks and activate the MMC controller. Clear to disable the MMC clocks and freeze the MMC controller.

Reset Value = 0000 0000b

**Table 224.** MMBLP Register

MMCON2 (1.B4h) – MMC Block Length LSB Register

	7	6	5	4	3	2	1	0
	BLEN7	BLEN6	BLEN5	BLEN4	BLEN3	BLEN2	BLEN1	BLEN0

Bit Number	Bit Mnemonic	Description
7-0	BLEN7:0	<b>Block Length LSB</b> Refer to Table 220 for byte description

Reset Value = 0000 0000b

**Table 225.** MMSTA Register

MMSTA (1.B5h Read Only) – MMC Status Register

7	6	5	4	3	2	1	0
SDWP	CDET	CBUSY	CRC16S	DATFS	CRC7S	WFRS	HFRS
Bit Number	Bit Mnemonic	Description					
7	SDWP	<b>SD Card Write Protect Bit</b> Set by hardware when the SD card socket WP switch is opened. Cleared by hardware when the SD card socket WP switch is closed.					
6	CDET	<b>Card Detection Bit</b> Set by hardware when the SD card socket presence switch is opened. Cleared by hardware when the SD card socket presence switch is closed.					
5	CBUSY	<b>Card Busy Flag</b> Set by hardware when the card sends a busy state on the data line. Cleared by hardware when the card no more sends a busy state on the data line.					
4	CRC16S	<b>CRC16 Status Bit</b> <b>Transmission mode</b> Set by hardware when the token response reports a bad CRC. Cleared by software by setting DCR bit in MMCON2. <b>Reception mode</b> Set by hardware when the CRC16 received in the data block is not correct. Cleared by software by setting DCR bit in MMCON2.					
3	DATFS	<b>Data Format Status Bit</b> <b>Transmission mode</b> Set by hardware when the format of the token response is correct. Cleared by hardware when the format of the token response is not correct. <b>Reception mode</b> Set by hardware when the format of the frame is correct. Cleared by hardware when the format of the frame is not correct.					
2	CRC7S	<b>CRC7 Status Bit</b> Set by hardware when the CRC7 computed in the response is correct. Cleared by hardware when the CRC7 computed in the response is not correct. This bit is not relevant when CRCDIS is set.					
1	WFRS	<b>Whole FIFO Ready Status Bit</b> Set by hardware when 16 bytes can be read in receive mode or written in transmit mode. Cleared by hardware when FIFO is not ready.					
0	HFRS	<b>Half FIFO Ready Status Bit</b> Set by hardware when 8 bytes can be read in receive mode or written in transmit mode. Cleared by hardware when FIFO is not ready.					

Reset Value = XX00 0000b, depends whether a card is present in the socket or not and if it is locked or not.

**Table 226.** MMINT Register

MMINT (1.BEh Read Only) – MMC Interrupt Register

7	6	5	4	3	2	1	0
CDETI	EORI	EOCI	EOFI	WFRI	HFRI	EOBI	-
Bit Number	Bit Mnemonic	Description					
7	CDETI	<b>Card Detection Interrupt Flag</b> Set by hardware every time CDET bit in MMSTA is toggling. Cleared when reading MMINT.					
6	EORI	<b>End of Response Interrupt Flag</b> Set by hardware at the end of response reception. Cleared when reading MMINT.					
5	EOCI	<b>End of Command Interrupt Flag</b> Set by hardware at the end of command transmission. Cleared when reading MMINT.					
4	EOFI	<b>End of Frame Interrupt Flag</b> Set by hardware at the end of frame (stream, single block or multi block) transfer. Clear when reading MMINT.					
3	WFRI	<b>Whole FIFO Ready Interrupt Flag</b> Set by hardware when 16 bytes can be read in receive mode or written in transmit mode. Cleared when reading MMINT.					
2	HFRI	<b>Half FIFO Ready Interrupt Flag</b> Set by hardware when 8 bytes can be read in receive mode or written in transmit mode. Cleared when reading MMINT.					
1	EOBI	<b>End of Block Interrupt Flag</b> Set by hardware at the end of block (single block or multi block) transfer. Cleared when reading MMINT.					
0	-	<b>Reserved</b> The value read from this bit is always 0. Do not set this bit.					

Reset Value = 0000 0000b

**Table 227.** MMMSK Register

MMMSK (1.BFh) – MMC Interrupt Mask Register

7	6	5	4	3	2	1	0
MCBM	EORM	EOCM	EOFM	WFRM	HFRM	EOBM	-
Bit Number	Bit Mnemonic	Description					
7	CDETM	<b>Card Detection Interrupt Mask Bit</b> Set to prevent CDETI flag from generating an interrupt. Clear to allow CDETI flag to generate an interrupt.					



Bit Number	Bit Mnemonic	Description
6	EORM	<b>End Of Response Interrupt Mask Bit</b> Set to prevent EORI flag from generating an interrupt. Clear to allow EORI flag to generate an interrupt.
5	EOCM	<b>End Of Command Interrupt Mask Bit</b> Set to prevent EOCI flag from generating an interrupt. Clear to allow EOCI flag to generate an interrupt.
4	EOFM	<b>End Of Frame Interrupt Mask Bit</b> Set to prevent EOFI flag from generating an interrupt. Clear to allow EOFI flag to generate an interrupt.
3	WFRM	<b>Whole FIFO Ready Interrupt Mask Bit</b> Set to prevent WFRI flag from generating an interrupt. Clear to allow WFRI flag to generate an interrupt.
2	HFRM	<b>Half FIFO Ready Full Interrupt Mask Bit</b> Set to prevent HFRI flag from generating an interrupt. Clear to allow HFRI flag to generate an interrupt.
1	EOBM	<b>End Of Block Interrupt Mask Bit</b> Set to prevent EOBI flag from generating an interrupt. Clear to allow EOBI flag to generate an interrupt.
0	-	<b>Reserved</b> The value read from this bit is always 0. Do not set this bit.

Reset Value = 1111 1110b

**Table 228.** MMCMD Register

MMCMD (1.B7h) – MMC Command Register

7	6	5	4	3	2	1	0
MC7	MC6	MC5	MC4	MC3	MC2	MC1	MC0
Bit Number	Bit Mnemonic	Description					
7-0	MC7:0	<b>MMC Command Receive Byte</b> Output (read) register of the response FIFO. <b>MMC Command Transmit Byte</b> Input (write) register of the command FIFO.					

Reset Value = 1111 1111b

**Table 229.** MMDAT Register

MMDAT (1.B6h) – MMC Data Register

7	6	5	4	3	2	1	0
MD7	MD6	MD5	MD4	MD3	MD2	MD1	MD0
Bit Number	Bit Mnemonic	Description					
7-0	MD7:0	<b>MMC Data Byte</b> Input (write) or output (read) register of the data FIFO.					

Reset Value = 1111 1111b

## Parallel Slave Interface

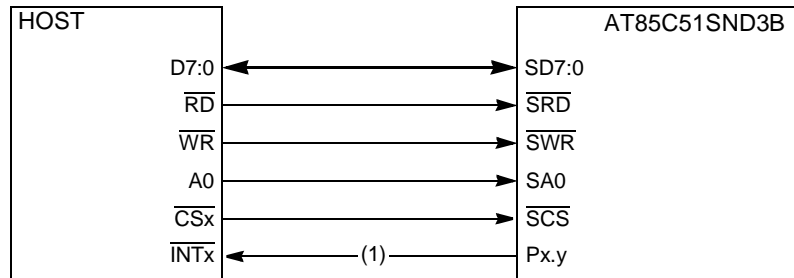
The AT85C51SND3Bx implement a Parallel Slave Interface (PSI) allowing parallel connection with a host for remote control and data transfer. By using this interface, the AT85C51SND3Bx can be seen as a multimedia co-processor and be remotely controlled by the host.

The main features of the PSI Interface are:

- ARM / I80 glueless interface capability
- 8-bit parallel data bus
- 1-bit address bus
- 16-byte FIFO with MCU interrupt capability
- Bi-directional multimedia bus connection through one DFC Channel

Figure 98 shows a typical PSI host connection. Interface consists in a 8-bit data bus, a 1-bit address bus and read and write signals along with a chip select.

**Figure 98.** Typical PSI Host Connection



Note: 1. Optional signal for slave to host signaling.

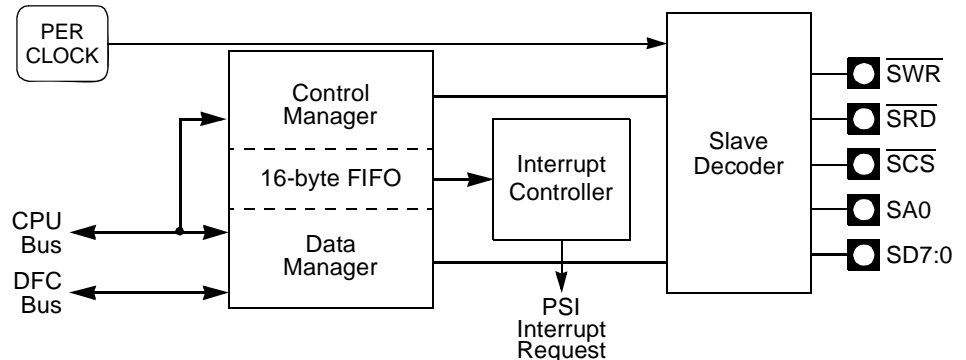
## Description

The C51 core interfaces with the PSI using the following Special Function Registers: PSICON (see Table 231) the control register, PSISTA (see Table 232) the status register, PSIDAT (see Table 233) the data register and PSISTH (see Table 234) the host status register.

The PSI is enabled by setting the PSEN bit in PSICON.

As soon as the PSI is enabled, I/O ports are programmed in input and I/O pull-ups are disabled.

**Figure 99.** PSI Block Diagram



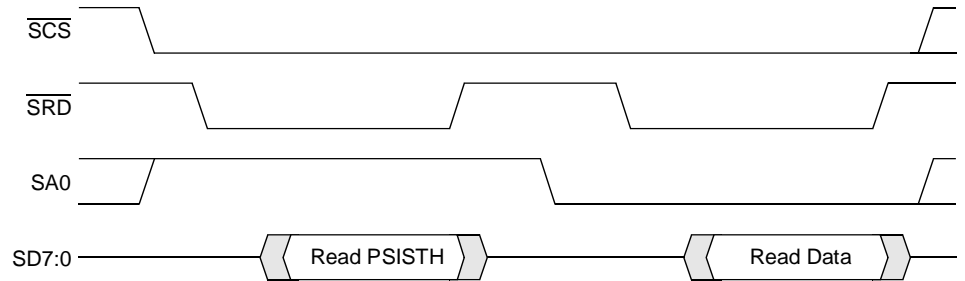
## PSI Addressing

The AT85C51SND3Bx are accessible by a host in read or write at two different address locations by setting or clearing the SA0 address signal. The data management is detailed in following sections and differs depending on SA0 level. Table 234 shows the addressing truth table. Figure 100 and Figure 101 show the read and write host cycles.

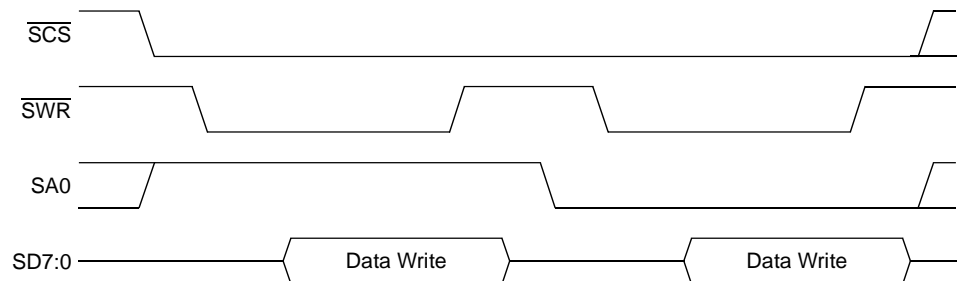
**Table 230.** PSI Addressing Truth Table

SA0	$\overline{\text{SRD}} / \overline{\text{SWR}}$	Selection
1	Read	Host reads the PSISTH register to get PSI status from both hardware and software.
1	Write	Host writes in the FIFO.
0	Read	<b>DFC transfer</b> (PSI is destination) Host reads data from the source peripheral through the FIFO. <b>CPU transfer</b> Host reads data from the FIFO.
0	Write	<b>DFC transfer</b> (PSI is source) Host writes data to the destination peripheral through the FIFO. <b>CPU transfer</b> Host writes data in the FIFO.

**Figure 100.** Host Read Waveforms



**Figure 101.** Host Write Waveforms



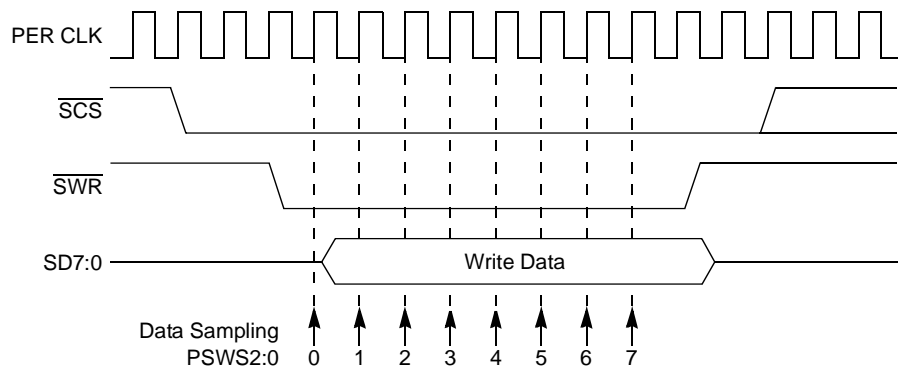
### Write Data Sampling

In order to be compliant with hosts depending on write cycle timing, a delay from  $\overline{\text{SRW}}$  signal assertion can be programmed for sampling data written by the host. This delay is programmable from 0 to 7 peripheral clock periods using PSWS2:0 bits in PSICON. Figure 102 shows the write sampling delay waveform.

Depending on the system clock frequency, host may need to add wait states inside read or write cycles.



**Figure 102.** Write Data Sampling Configuration



**“SA0= H” Mode**

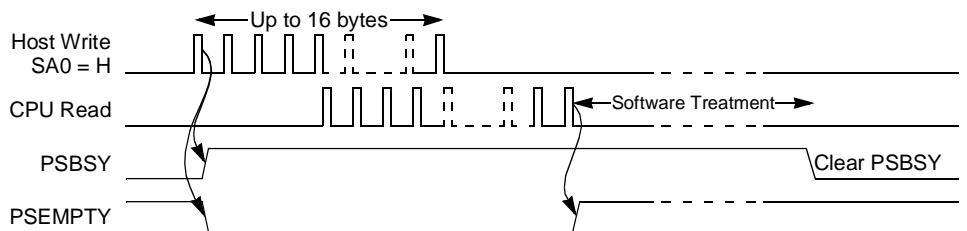
The “SA0= H” mode is particularly fitting control management over a protocol. Figure 103 shows a data cycle from host to device. Prior to send any data bytes, the host must take care of the PSI state by reading the AT85C51SND3Bx with SA0 signal set. This returns PSISTH: the host status register content. While PSHBSY bit in PSISTH is set, the host must not start sending data.

As soon as PSHBSY bit is released, the host can send up to 16 bytes of data. First data writing automatically sets PSBSY flag in PSISTA and consequently PSHBSY bit so that host knows that system is now busy and processing. An interrupt can be generated when PSBSY flag is set by enabling PSBSYE bit in PSICON while global PSI interrupt is enabled in IEN1 (see Figure 104).

The software can start reading and process the data after first byte reception. As soon as data processing is done, PSBSY flag is cleared and consequently PSHBSY bit so that host knows that system has finished processing. A software status can have been previously written to PSISTH for reporting to the host.

Note: If software reading is quicker than host writing, PSEEMPTY bit must be polled before reading new data byte.

**Figure 103.** Data Management (SA0 = H)



**“SA0= L” Mode**

The “SA0= L” mode is particularly fitting data transfer with huge amount of data. Transfer can be done in read and write using the DFC for high throughput or the CPU. After control processing (PSBSY cleared) and relying to the protocol, the host starts transferring data. In all cases the host which is the master controls the data transfer by reading from or writing to the slave.

*CPU Transfer*

In case of transfer handled by the CPU, the data transfer is done byte by byte. As the host runs usually quicker than the slave, a software handshake must be established to avoid underrun or overrun condition.

*DFC Transfer*

In case of transfer handled by the DFC, the slave can acknowledge its control processing (PSBSY cleared) as soon as destination (host write) or source (host read) is ready.

Host can then read or write by burst an amount of data defined by the protocol (see Section “Data Flow Controller”, page 78).  
 In order to avoid any underrun or overrun condition during burst transfer, host must be slower than the DFC destination peripheral (host write) or the DFC source peripheral (host read).

*Overrun - Underrun Conditions*

An overrun condition occurs when the hosts writes data quicker than the slave can consume it.  
 An underrun condition occurs when the host read data quicker than the slave can deliver it.  
 As soon as one of these two conditions is triggered, the PSRUN flag in PSISTA is set. An interrupt can be generated when PSRUN bit is set by enabling PSRUNE bit in PSICON while global PSI interrupt is enabled in IEN1 (see Figure 104).

- Notes:
1. Overrun and underrun conditions may appear in both transfer modes (CPU or DFC).
  2. In overrun condition, the data written by the host is discarded.
  3. In underrun condition, the data read by the host is the same as the previous one.

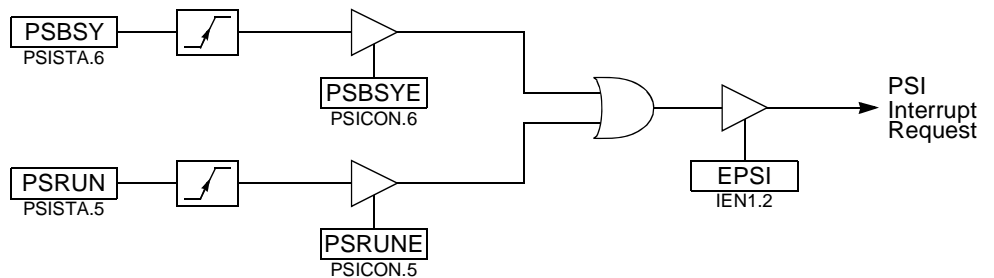
**Interrupts**

As shown in Figure 104, the PSI implements two interrupt sources reported in PSBSY and PSRUN flags in PSISTA. These flags are detailed in the previous sections.

These sources are enabled separately using PSBSYE, and PSRUNE enable bits respectively in PSICON.

The interrupt request is generated each time an enabled flag is set, and the global PSI interrupt enable bit is set (EPSI in IEN1 register).

**Figure 104.** PSI Controller Interrupt System



Registers

**Table 231.** PSICON Register

PSICON (1.ADh) – PSI Control Register

7	6	5	4	3	2	1	0
PSEN	PSBSYE	PSRUNE	PSWS2	PSWS1	PSWS0	-	-
Bit Number	Bit Mnemonic	Description					
7	PSEN	<b>Interface Enable Bit</b> Set to enable the PSI controller. Clear to disable the PSI controller.					
6	PSBSYE	<b>Busy Interrupt Enable Bit</b> Set to enable the busy interrupt. Clear to disable the busy interrupt.					
5	PSRUNE	<b>Overrun/Underrun Interrupt Enable Bit</b> Set to enable the overrun interrupt. Clear to disable the overrun interrupt.					
4-2	PSWS2:0	<b>Write Sampling Bits</b> Data write sampling wait states after $\overline{WR}$ signal assertion from 1 clock up to 7 clock periods					
1-0	-	<b>Reserved</b> The value read from these bits is always 0. Do not set these bits.					

Reset Value = 0000 0000b

**Table 232.** PSISTA Register

PSISTA (1.AEh) – PSI Status Register

7	6	5	4	3	2	1	0
PSEEMPTY	PSBSY	PSOVR	PSRDY	-	-	-	-
Bit Number	Bit Mnemonic	Description					
7	PSEEMPTY	<b>FIFO Empty Flag</b> Set by hardware when the FIFO is empty. Cleared by hardware when at least one data byte is present in the FIFO.					
6	PSBSY	<b>Busy Flag</b> Set by hardware when the FIFO becomes not empty (host has sent data with SA0 = H). Can be set or cleared by software.					
5	PSRUN	<b>Overrun/Underrun Flag</b> Overrun Set by hardware when the host sends a data and the FIFO is full. Clear by software to acknowledge the overrun condition. Underrun Set by hardware when the host reads a data and the FIFO is empty. Clear by software to acknowledge the underrun condition.					
4	PSRDY	<b>Ready Flag</b> Set by hardware when a data is ready to be sent to the host. Cleared by hardware at the end of a host read cycle.					

Bit Number	Bit Mnemonic	Description
3-0	-	<b>Reserved</b> The value read from these bits is always 0. Do not set these bits.

Reset Value = 1000 0000b

**Table 233.** PSISTH Register

PSISTH (1.ACh) – PSI Host Status Register

7	6	5	4	3	2	1	0
PSHBSY	PSSTH6	PSSTH5	PSSTH4	PSSTH3	PSSTH2	PSSTH1	PSSTH0
Bit Number	Bit Mnemonic	Description					
7	PSHBSY	<b>Interface Busy Flag</b> <b>Host Access (Read with SA0 = H)</b> Copy of the PSBSY flag. <b>Software Access</b> Always returned as logic 0. Can not be written by software.					
6-0	PSSTH6:0	<b>7-bit Host Status Data</b> Set by software to report status to the host.					

Reset Value = 0000 0000b

**Table 234.** PSIDAT Register

PSIDAT (1.AFh) – PSI Data Register

7	6	5	4	3	2	1	0
PSD7	PSD6	PSD5	PSD4	PSD3	PSD2	PSD1	PSD0
Bit Number	Bit Mnemonic	Description					
7-0	PSD7:0	<b>Data Bits</b> Reading this register returns the data written by the host in the FIFO. Writing this register set data in the FIFO read later by the host.					

Reset Value = 0000 0000b

## Serial I/O Port

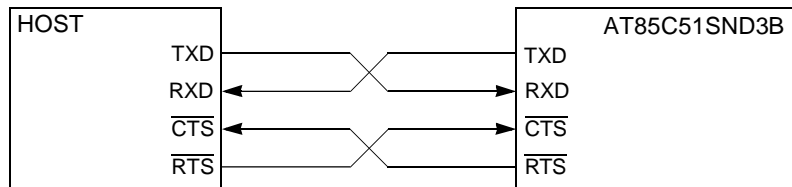
The AT85C51SND3Bx implement a Serial Input/Output Port (SIO) allowing serial communication. By using this interface, the AT85C51SND3B can be seen as a multimedia co-processor and be remotely controlled by the host.

The main features of the SIO Interface are:

- Asynchronous mode (UART: Rx, Tx)
- Hardware flow control ( $\overline{\text{CTS}}$ ,  $\overline{\text{RTS}}$ )
- High speed baud rate generator
- 16-byte input buffer with MCU interrupt capability
- Bi-directional multimedia bus connection through one DFC Channel

Figure 105 shows a typical SIO host connection. Interface consists in a 2-bit receive/transmit bus and a 2-bit flow control bus.

**Figure 105.** Typical SIO Host Connection



## Description

The C51 core interfaces with the SIO using the following Special Function Registers: SCON, the SIO Control register (see Table 242); SFCN, the SIO Flow Control register (see Table 243); SINT, the SIO Interrupt Source register (see Table 244); SIEN, the SIO Interrupt Enable register (see Table 245); SBUF, the SIO Buffer register (see Table 246); SBRG0, SBRG1 and SBRG2, the SIO Baud Rate Generator registers (see Table 247 to Table 249). As shown in Figure 106 the SIO is based on three main functional blocks detailed in the following sections: the baud rate generator that generates an over-sampling clock for both receiver and transmitter, the receiver that handles the characters reception and the transmitter that handles the characters transmission.

## Data Transfer

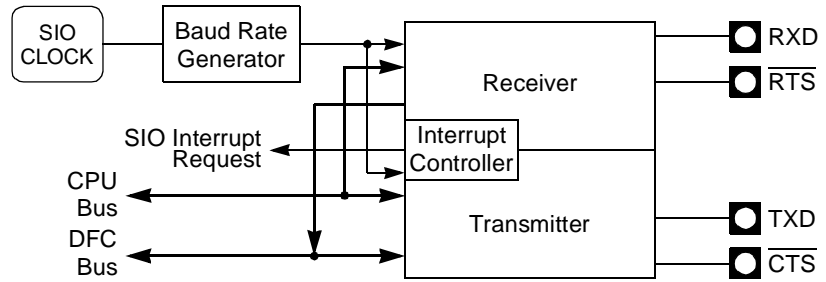
The data transfers can be handled completely by the C51 in full duplex, i.e. C51 manages character transmission by writing data to SBUF register and character reception by reading data from SBUF. It is obvious that using C51 for data transfer leads to low throughput. In order to increase throughput and take advantage of high bit rates up to 8Mbit/s, a DFC channel can be associated to the SIO in read or write (see Section “Data Flow Controller”, page 78). DFC can be used used for data reception (SIO considered as source) or data transmission (SIO considered as destination). In both cases, the data transfer is still full duplex since C51 continues to handle transmission or reception but at lower throughput.

Table 235 summarizes the data transfer modes association. DFC usage is enabled as soon as a DFC transfer is enabled by selecting SIO as source or destination.

**Table 235.** Data Transfer Modes

Transfer Modes	Reception Handling	Transmission Handling
High Throughput Reception	DFC (SIO is source)	C51
High Throughput Transmission	C51	DFC (SIO is destination)
Low Throughput Transfer (default)	C51	C51

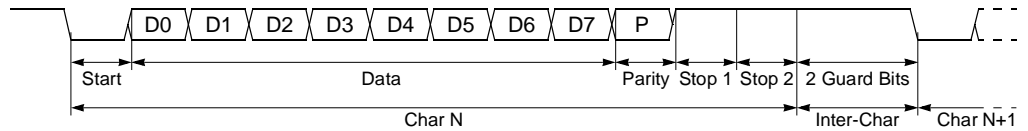
**Figure 106.** SIO Block Diagram



**Character Format**

The character consists of five fields: start, data, parity, stop and guard fields. Figure 107 shows a character example with 8 data bits, 1 parity bit, 2 stop bits and 2 guard bits.

**Figure 107.** Character Format Example



*Start Field*

The start field is fixed and composed of 1 bit transmitted or received at low level.

*Data Field*

The data field is composed of 7 or 8 bits by programming DLEN bit in SCON according to Table 236. The least significant bit is always first transmitted.

**Table 236.** Data Bit Number Selection

DLEN	Description
0	7-bit Data Length.
1	8-bit Data Length.

*Parity Field*

The parity field is optional and enabled by PBEN bit in SCON. This field is composed of 1 bit and its mode is programmable by PMOD1:0 bits in SCON according to Table 237.

**Table 237.** Parity Mode Selection

PMOD1	PMOD0	Description
0	0	MARK: high Level
0	1	SPACE: Low Level
1	0	EVEN: High Level if the number of bits at high level in the data field is even.
1	1	ODD: Low Level if the number of bits at high level in the data field is odd.

*Stop Field*

The stop field is composed of 1 or 2 bits transmitted or received at high level by programming STOP bit in SCON according to Table 238.

**Table 238.** Stop Bit Number Selection

STOP	Description
0	1 Stop Bit.
1	2 Stop Bits.

### Guard Field

The guard field is not part of a character and is an optional inter-character spacing composed of 0 to 3 bits transmitted at high level by programming GBIT1:0 bits in SCON according to Table 239. The guard field allows transmitter to be compliant with connected host (overrun avoiding) and is emitted after the last stop bit of a character.

**Table 239.** Guard Field Size Selection

GBIT1	GBIT0	Description
0	0	0 guard bit inserted (default).
0	1	1 guard bit inserted.
1	0	2 guard bits inserted.
1	1	3 guard bits inserted.

### Baud Rate Generator

The Baud Rate Generator is fed by the SIO clock as detailed in Section “SIO Clock Generator”, page 32. The maximum baud rate can be achieved by selecting the high frequency issued by a division of the PLL clock. The clock generated is an oversampling clock. The oversampling factor is programmable using OVRSF3:0 bits in SFCON with oversampling factor equal to OVRSF3:0 + 1 (e.g.: OVRSF3:0= 11 for a 12x oversampling).

### Baud Rate Calculation

As shown in Figure 109, the baud rate generator is composed of an integer divider followed by a fractional divider. The baud rate formula is given by Figure 108. In this formula, variables must be chosen as followed:

- OVRSF  
The oversampling factor depends mainly on the frequency and the quality of the medium transporting the data. In any case, OVRSF3:0 must not be less than 4 for proper majority vote in bit reception.
- ADIV  
Must be greater than BDIV and less than (K · OVRSF). K being the number of bit in a character (from 9 to 11).
- BDIV  
Must be greater than 1/ε according to the tolerance on the real baud rate BR<sub>R</sub> compare to the theoretical baud rate BR<sub>T</sub>.  
ε being the error:  $\epsilon = K \cdot |1/BB_T - 1/BR_R|$ .

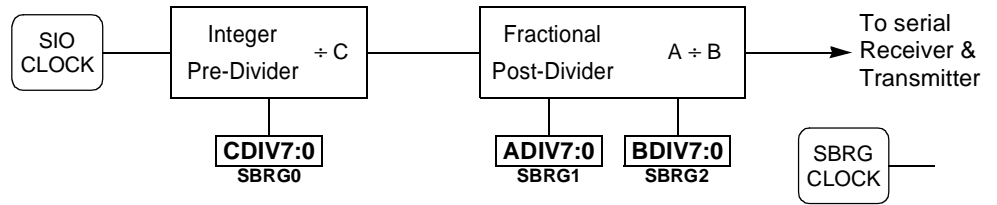
Table 240 shows some programming values depending on the SIO frequency and considering an oversampling factor of 12 (OVRSF3:0= 11).

**Figure 108.** Baud Rate Formula

$$\text{Baud\_Rate} = \frac{F_{\text{SIO}} \cdot \text{BDIV}}{\text{ADIV} \cdot \text{CDIV} \cdot \text{OVRSF}}$$



**Figure 109.** Baud Rate Generator Block Diagram



**Table 240.** Baud Rate Generator Value (12x oversampling)

Baud Rate	$F_{SIO} = 12 \text{ MHz}$				$F_{SIO} = 16 \text{ MHz}$				$F_{SIO} = 20 \text{ MHz}$				$F_{SIO} = 24 \text{ MHz}$				$F_{SIO} = 120 \text{ MHz}^{(1)}$			
	A	B	C	$\epsilon \%$	A	B	C	$\epsilon \%$	A	B	C	$\epsilon \%$	A	B	C	$\epsilon \%$	A	B	C	$\epsilon \%$
9600	125	6	5	0	110	99	125	0	124	5	7	0.007	125	3	5	0	110	15	142	0.033
19200	125	12	5	0	125	9	5	0	124	10	7	0.007	125	6	5	0	110	49	232	0.004
38400	125	24	5	0	125	18	5	0	124	20	7	0.007	125	12	5	0	110	49	116	0.004
57600	125	36	5	0	125	27	5	0	124	30	7	0.007	125	18	5	0	124	5	7	0.007
115200	125	72	5	0	125	54	5	0	124	60	7	0.007	125	36	5	0	124	10	7	0.007
230400	115	53	2	0.016	125	108	5	0	120	83	5	0.067	125	72	5	0	217	5	1	0.007
460800	115	53	1	0.016	120	83	2	0.067	112	31	1	0.111	115	53	2	0.016	217	10	1	0.007
921600	115	106	1	0.016	120	83	1	0.067	112	62	1	0.111	115	53	1	0.016	118	87	8	0.002
1M	1	1	1	0	112	84	1	0	115	69	1	0	110	55	1	0	120	12	1	0
1.5M	-	-	-	-	-	-	-	-	110	99	1	0	112	84	1	0	120	18	1	0
2M	-	-	-	-	-	-	-	-	-	-	-	-	1	1	1	0	115	23	1	0
4M	-	-	-	-	-	-	-	-	-	-	-	-	-	-	-	-	115	46	1	0
8M	-	-	-	-	-	-	-	-	-	-	-	-	-	-	-	-	115	92	1	0

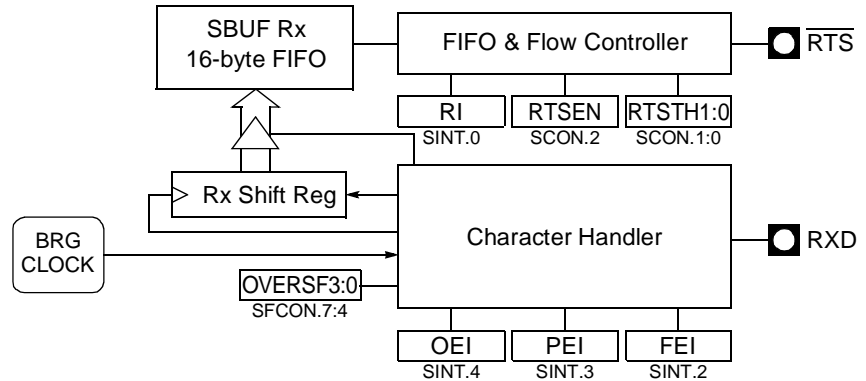
Note: 1. This high frequency available through the clock generator requires PLL usage. It is recommended to use it only for high baud rate that can not be achieved using oscillator frequency.



**Receiver**

As shown in Figure 110, the receiver is based on a character handler taking care of character integrity check and feeding the reception shift register filling itself a 16-byte data FIFO managed by the FIFO and flow controller.

**Figure 110.** Receiver Block Diagram



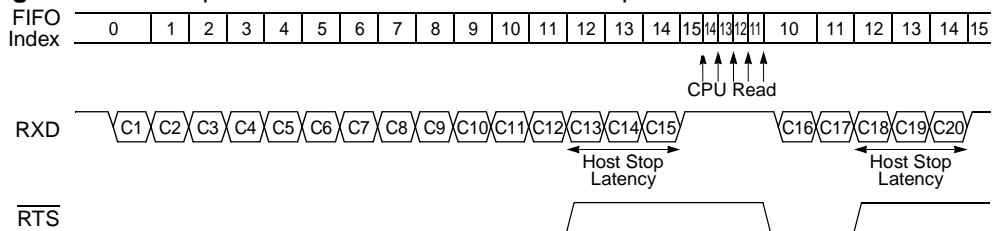
**Flow Control**

The reception flow can be controlled by hardware using the  $\overline{\text{RTS}}$  pin. The goal of the flow control is to inform the external transmitter when the Rx FIFO is full of a certain amount of data. Thus the transmitter can stop sending characters.  $\overline{\text{RTS}}$  usage and so associated flow control is enabled using RTSEN bit in SFCON.

To support transmitter that has stop latency, a threshold can be programmed to allow characters reception after  $\overline{\text{RTS}}$  has been deasserted. The threshold can be programmed using RTSTH1:0 in SFCON according to Table 241. As soon as enough data has been read from the Rx FIFO,  $\overline{\text{RTS}}$  is asserted again to allow transmitter to continue transmission. To avoid any glitch on  $\overline{\text{RTS}}$  signal, an hysteresis on 1 data is implemented.

Figure 111 shows a reception example using a threshold of 4 data and a host transmitter latency of 3 characters.

**Figure 111.** Reception Flow Control Waveform Example



**Table 241.**  $\overline{\text{RTS}}$  Deassertion Threshold

RTSTH1	RTSTH0	Description
0	0	$\overline{\text{RTS}}$ deasserted when Rx FIFO is full.
0	1	$\overline{\text{RTS}}$ deasserted when 2 data can still be loaded in Rx FIFO.
1	0	$\overline{\text{RTS}}$ deasserted when 4 data can still be loaded in Rx FIFO.
1	1	$\overline{\text{RTS}}$ deasserted when 8 data can still be loaded in Rx FIFO.

## Receiver Errors

There are three kinds of errors that can be set during character reception: the framing error, the parity error, and the overrun error detailed in the following sections.

### Framing Error

A framing error occurs when the stop field of a received character is not at high level. Framing error is reported in FEI flag in SINT. Framing error condition is acknowledged by clearing the FEI flag.

### Parity Error

A parity error occurs when the parity field of a received character does not matches the programmed one in PMOD1:0 bits. Parity error is reported in PEI flag in SINT. Parity error condition is acknowledged by clearing the PEI flag.

### Overrun Error

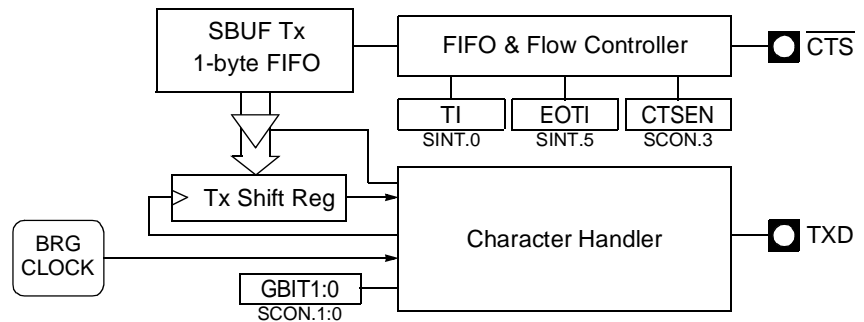
An overrun error occurs when a character is received while the Rx shift register is full (Rx FIFO full). In this case, received character is discarded. Overrun error is reported in OEI flag in SINT. Overrun error condition is acknowledged by clearing the OEI flag.

Note: In case of data burst reception, the error flags report an error within the data burst. It is obvious to discard the whole data burst and to handle the errors by the protocol (retry...).

## Transmitter

As shown in Figure 112, the transmitter is based on a character handler taking care of character transmission and fed by the transmission shift register filled itself by a 1-byte data FIFO managed by the FIFO and flow controller.

**Figure 112.** Transmitter Block Diagram



## Flow Control

The transmission flow can be controlled by hardware using the  $\overline{\text{CTS}}$  pin controlled by the external receiver. The goal of the flow control is to stop transmission when the receiver is full of data.  $\overline{\text{CTS}}$  usage and so associated flow control is enabled using CTSEN bit in SFCN.

The transmitter stop latency may vary from 0 to a maximum of 1 character, meaning that transmission always stops at the end of the character under transmission if any.

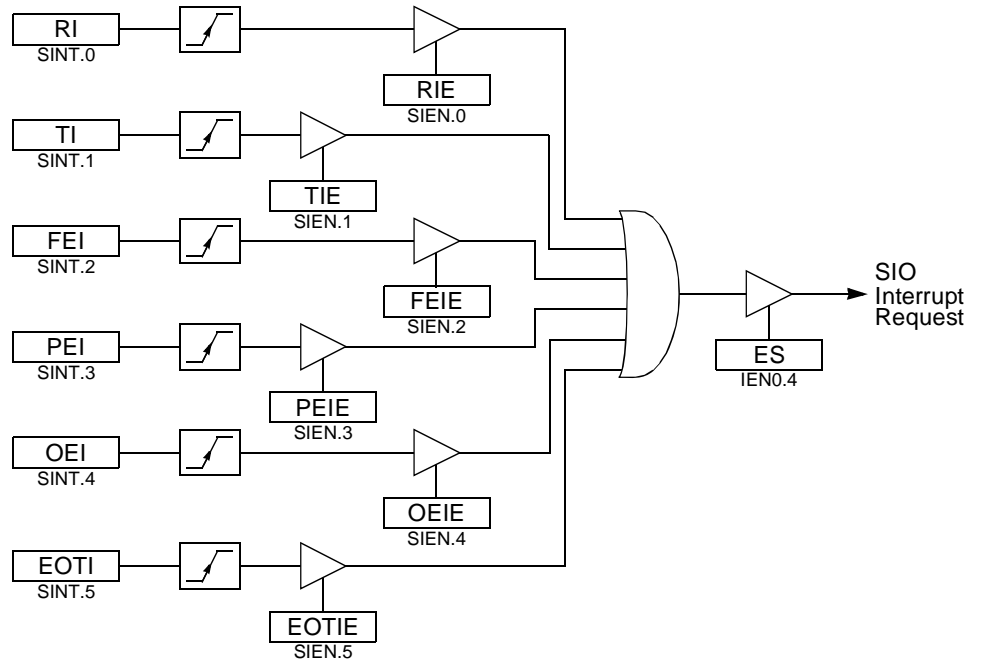
## Interrupts

As shown in Figure 113, the SIO implements five interrupt sources reported in RI, TI, FEI, PEI, OEI and EOTI flags in SINT. These flags are detailed in the previous sections.

These sources are enabled separately using RIE, TIE, FEIE, PEIE, OEIE and EOTIE enable bits respectively in SIEN.

The interrupt request is generated each time an enabled source flag is set, and the global SIO interrupt enable bit is set (ES in IEN0 register).

Figure 113. SIO Controller Interrupt System



Registers

Table 242. SCON Register

SCON (0.91h) – SIO Control Register

7	6	5	4	3	2	1	0
SIOEN	PMOD1	PMOD0	PBEN	STOP	DLEN	GBIT1	GBIT0
Bit Number	Bit Mnemonic	Description					
7	SIOEN	<b>SIO Enable Bit</b> Set to enable the Serial Input/Output port. Clear to disable the Serial Input/Output port.					
6-5	PMOD1:0	<b>Parity Mode Bits</b> Refer to Table 237 for information on parity mode					
4	PBEN	<b>Parity Bit Enable Bit</b> Set to enable parity generation according to PMOD1:0 bits. Clear to disable parity generation.					
3	STOP	<b>Stop Bit Number</b> Set to enable generation of 2 stop bits. Clear to enable generation of 1 stop bit.					
2	DLEN	<b>Data Length Bit</b> Set to enable generation of 7 data bits. Clear to enable generation of 8 data bits.					
1-0	GBIT1:0	<b>Guard Bit Number</b> Number of guard bits (from 0 to 3) transmitted after the last stop bit in transmission mode.					

Reset Value = 0000 0000b

**Table 243.** SFCON Register

SFCON (0.95h) – SIO Flow Control Register

7	6	5	4	3	2	1	0
OVRSF3	OVRSF2	OVRSF1	OVRSF0	CTSEN	RTSEN	RTSTH1	RTSTH0
Bit Number	Bit Mnemonic	Description					
7-4	OVRSF3:0	<b>Over Sampling Factor Bits</b> Number of time a data bit is sampled for level determination. Oversampling factor = OVRSF3:0 + 1.					
3	CTSEN	<b>Clear To send Enable Bit</b> Set to enable transmission hardware flow control using $\overline{\text{CTS}}$ signal. Clear to disable transmission hardware flow control.					
2	RTSEN	<b>Request To send Enable Bit</b> Set to enable reception hardware flow control using $\overline{\text{RTS}}$ signal. Clear to disable reception hardware flow control.					
1-0	RTSTH1:0	<b>Request To send Assertion Threshold</b> Refer to Table 241 for information on threshold values.					

Reset Value = 0000 0000b

**Table 244.** SINT Register

SINT (1.A8h) – SIO Interrupt Source Register

7	6	5	4	3	2	1	0
-	-	EOTI	OEI	PEI	FEI	TI	RI
Bit Number	Bit Mnemonic	Description					
7	-	<b>Reserved</b> The value read from this bit is always 0. Do not set this bit.					
6	-	<b>Reserved</b> The value read from this bit is indeterminate. Do not set this bit.					
5	EOTI	<b>End Of Transmission Interrupt Flag</b> Set by hardware when both Tx FIFO and Tx shift register are empty; actual end of transmission. Cleared by hardware when the Tx FIFO or Tx shift register are not empty.					
4	OEI	<b>Overrun Reception Error Interrupt Flag</b> Set by hardware when a character is received while the Rx shift register is full (Rx FIFO full). Clear by software to acknowledge interrupt.					
3	PEI	<b>Parity Reception Error Interrupt Flag</b> Set by hardware when a parity error occurs in a received character. Clear by software to acknowledge interrupt.					
2	FEI	<b>Framing Reception Error Interrupt Flag</b> Set by hardware when a framing error occurs in a received character. Clear by software to acknowledge interrupt.					

Bit Number	Bit Mnemonic	Description
1	TI	<b>Transmission Interrupt Flag</b> Set by hardware when the Tx FIFO is not full: a character can be loaded through SBUF. Cleared by hardware when the Tx FIFO becomes full: no more character can be loaded.
0	RI	<b>Reception Interrupt Flag</b> Set by hardware when the Rx FIFO is not empty: character ready to be read through SBUF. Cleared by hardware when the Rx FIFO becomes empty: no more character to be read.

Reset Value = 0X10 0010b

**Table 245.** SIEN Register

SIEN (1.A9h) – SIO Interrupt Enable Register

7	6	5	4	3	2	1	0
-	-	EOTIE	OEIE	PEIE	FEIE	TIE	RIE

Bit Number	Bit Mnemonic	Description
7-6	-	<b>Reserved</b> The value read from these bits is always 0. Do not set these bits.
5	EOTIE	<b>End Of Transmission Interrupt Enable Bit</b> Set to enable end of transmission interrupt generation. Clear to disable end of transmission interrupt generation.
4	OEIE	<b>Overrun Error Interrupt Enable Bit</b> Set to enable overrun error interrupt generation. Clear to disable overrun error interrupt generation.
3	PEIE	<b>Parity Error Interrupt Enable Bit</b> Set to enable parity error interrupt generation. Clear to disable parity error interrupt generation.
2	FEIE	<b>Framing Error Interrupt Enable Bit</b> Set to enable framing error interrupt generation. Clear to disable framing error interrupt generation.
1	TIE	<b>Transmission Interrupt Enable Bit</b> Set to enable transmission interrupt generation. Clear to disable transmission interrupt generation.
0	RIE	<b>Reception Interrupt Enable Bit</b> Set to enable reception interrupt generation. Clear to disable reception interrupt generation.

Reset Value = 0000 0000b

**Table 246.** SBUF Register

SBUF (1.AAh) – SIO Data Buffer Register

7	6	5	4	3	2	1	0
SIOD7	SIOD6	SIOD5	SIOD4	SIOD3	SIOD2	SIOD1	SIOD0
Bit Number	Bit Mnemonic	Description					
7-0	SIOD7:0	8-Bit data Buffer.					

Reset Value = XXXX XXXXb

**Table 247.** SBRG0 Register

SBRG0 (0.92h) – SIO Baud Rate Generator Register 0

7	6	5	4	3	2	1	0
CDIV7	CDIV6	CDIV5	CDIV4	CDIV3	CDIV2	CDIV1	CDIV0
Bit Number	Bit Mnemonic	Description					
7-0	CDIV7:0	Baud Rate Generator 8-bit C divider.					

Reset Value = 0000 0000b

**Table 248.** SBRG1 Register

SBRG1 (0.93h) – SIO Baud Rate Generator Register 1

7	6	5	4	3	2	1	0
ADIV7	ADIV6	ADIV5	ADIV4	ADIV3	ADIV2	ADIV1	ADIV0
Bit Number	Bit Mnemonic	Description					
7-0	ADIV7:0	Baud Rate Generator 8-bit A divider.					

Reset Value = 0000 0000b

**Table 249.** SBRG2 Register

SBRG2 (0.94h) – SIO Baud Rate Generator Register 2

7	6	5	4	3	2	1	0
BDIV7	BDIV6	BDIV5	BDIV4	BDIV3	BDIV2	BDIV1	BDIV0
Bit Number	Bit Mnemonic	Description					
7-0	BDIV7:0	Baud Rate Generator 8-bit B divider.					

Reset Value = 0000 0000b

## Serial Peripheral Interface

The AT85C51SND3Bx implement a Synchronous Peripheral Interface (SPI) allowing full-duplex, synchronous, serial communication between the MCU and peripheral devices, including other MCUs.

Features of the SPI module include the following:

- Full-duplex, three-wire synchronous transfers
- Master or Slave operation
- Programmable Master clock rates in master mode
- Serial clock with programmable polarity and phase
- Master Mode fault error flag with MCU interrupt capability

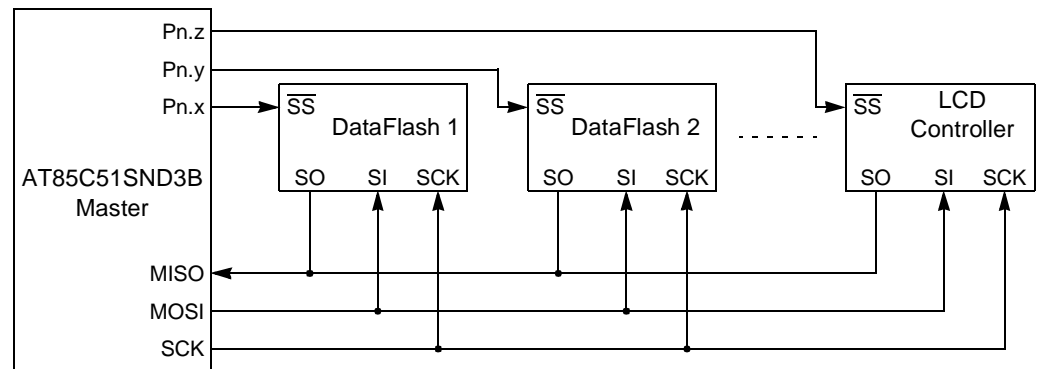
Figure 114 shows a SPI bus configuration using the AT85C51SND3Bx as master connected to slave peripherals while Figure 115 shows a SPI bus configuration using the AT85C51SND3Bx as slave of an other master.

The bus is made of three wires connecting all the devices together:

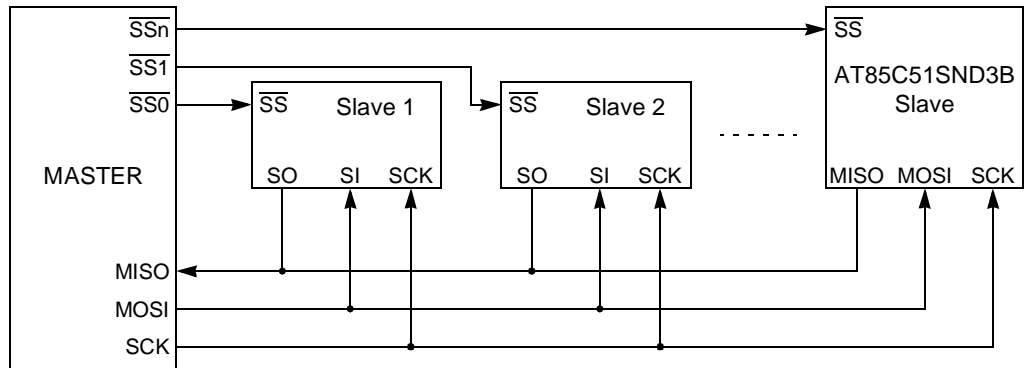
- Master Output Slave Input (MOSI): it is used to transfer data in series from the master to a slave.  
It is driven by the master.
- Master Input Slave Output (MISO): it is used to transfer data in series from a slave to the master.  
It is driven by the selected slave.
- Serial Clock (SCK): it is used to synchronize the data transmission both in and out the devices through their MOSI and MISO lines. It is driven by the master for eight clock cycles which allows to exchange one byte on the serial lines.

Each slave peripheral is selected by one Slave Select pin ( $\overline{SS}$ ). If there is only one slave, it may be continuously selected with  $\overline{SS}$  tied to a low level. Otherwise, the AT85C51SND3Bx may select each device by software through port pins (Pn.x). Special care should be taken not to select 2 slaves at the same time to avoid bus conflicts.

**Figure 114.** Typical Master SPI Bus Configuration



**Figure 115.** Typical Slave SPI Bus Configuration

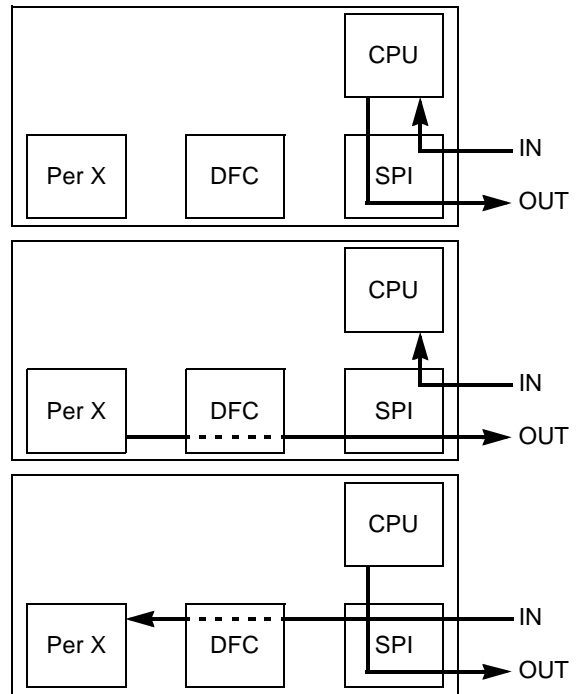


**Description**

The SPI controller interfaces with the C51 core through three special function registers: SPCON, the SPI control register (see Table 251); SPSCR, the SPI status and control register (see Table 252); and SPDAT, the SPI data register (see Table 253). Data flow transfer can be fully handled by the C51 by writing and reading SPDAT or partially by the C51 and the DFC. The SPI controller implements only one DFC channel, meaning only reception flow or transmission flow can be handled by the DFC at a time. The Figure 116 summarizes the different data flow configuration allowed.

**Figure 116.** SPI Data Flow Configurations

- Data flow is fully handled by the CPU.
- Peripheral X is configured as source and SPI as destination of a DFC channel. CPU is still able to read incoming data (usually status) at its own rate.
- Peripheral X is configured as destination and SPI as source of a DFC channel. CPU is still able to output data (usually status) at its own rate.



**Master Mode**

The SPI operates in master mode when the MSTR bit in SPCON is set.

Note: The SPI Module should be configured as a master before it is enabled (SPEN set). In a system, the master SPI should be configured before the slave SPI device.

Figure 117 shows the SPI block diagram in master mode. Only a master SPI module can initiate transmissions.



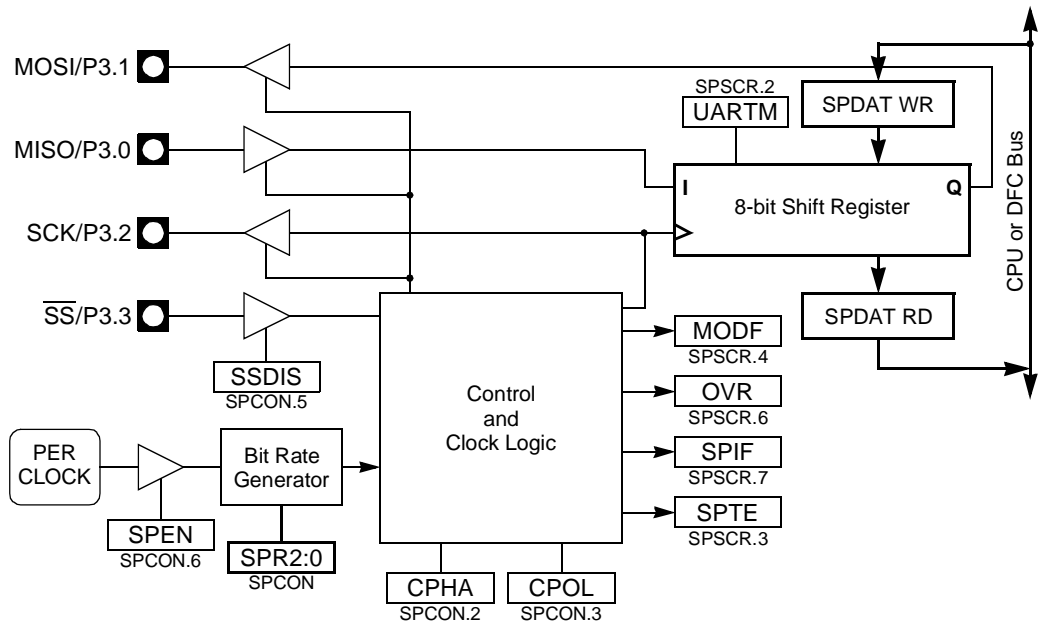
The transmission begins by writing to SPDAT through CPU or DFC. Writing to SPDAT writes to an intermediate register which is automatically loaded to the shift register if no transmission is in progress. Reading SPDAT through CPU or DFC reads an intermediate register updated at the end of each transfer.

The byte begins shifting out on the MOSI pin under the control of the bit rate generator. This generator also controls the shift register of the slave peripheral through the SCK output pin. As the byte shifts out, another byte shifts in from the slave peripheral on the MISO pin. The byte is transmitted most significant bit (MSB) first when UARTM bit in SPCR is cleared or least significant bit (LSB) first when UARTM bit in SPCR is set. The end of transfer is signaled by SPIF being set.

In case SPI is the source of a DFC channel (slave device data read), SPDAT is first loaded with a dummy byte (FFh value) to initiate the transfer. Then transfer continues by transmitting the shift register content which is the last data received.

When the AT85C51SND3Bx is the only master on the bus, it can be useful not to use  $\overline{SS}$  pin and get it back to I/O functionality. This is achieved by setting SSDIS bit in SPCON.

**Figure 117. SPI Master Mode Block Diagram**



Note: MSTR bit in SPCON is set to select master mode.

## Slave Mode

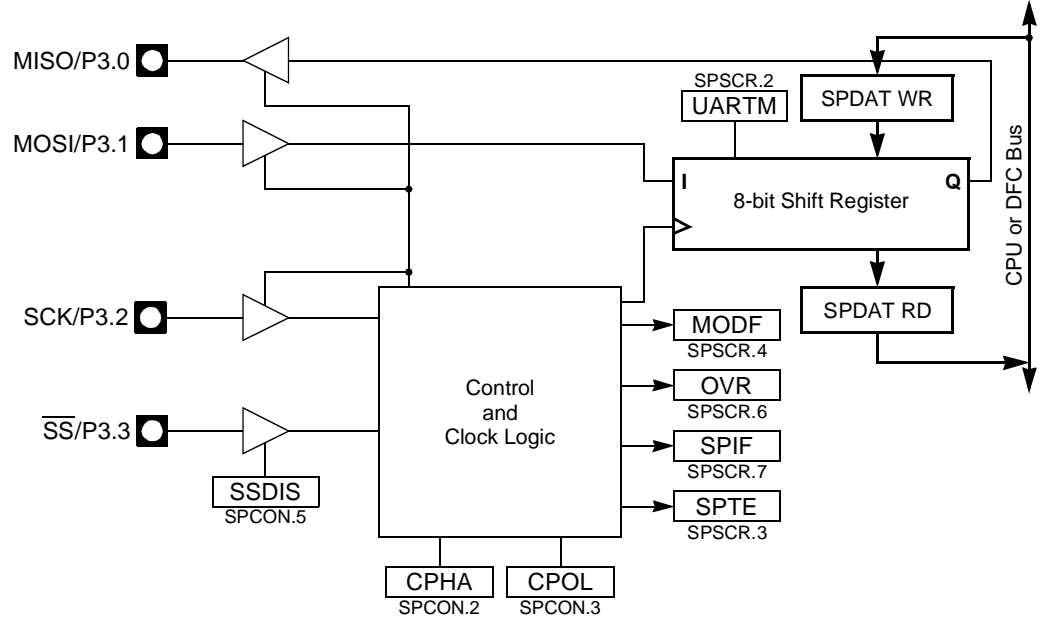
The SPI operates in slave mode when the MSTR bit in SPCON is cleared and data has been loaded in SPDAT.

Note: The SPI Module should be configured as a slave before it is enabled (SPEN set).

Figure 118 shows the SPI block diagram in slave mode. In slave mode, before a data transmission occurs, the  $\overline{SS}$  pin of the slave SPI must be asserted to low level.  $\overline{SS}$  must remain low until the transmission of the byte is complete. In the slave SPI module, data enters the shift register through the MOSI pin under the control of the serial clock provided by the master SPI module on the SCK input pin. When the master starts a transmission, the data in the shift register begins shifting out on the MISO pin. The end of transfer is signaled by SPIF being set.

When the AT85C51SND3Bx is the only slave on the bus, it can be useful not to use  $\overline{SS}$  pin and get it back to I/O functionality. This is achieved by setting SSDIS bit in SPCON. This bit has no effect when CPHA is cleared (see Section "SS Management", page 227).

**Figure 118.** SPI Slave Mode Block Diagram



Note: MSTR bit in SPCON is cleared to select slave mode.

**Bit Rate**

In master mode, the bit rate can be selected from seven predefined bit rates using the SPR2, SPR1 and SPR0 control bits in SPCON according to Table 250. These bit rates are derived from the peripheral clock ( $F_{PER}$ ) issued from the Clock Controller block as detailed in Section "Clock Controller", page 27.

In slave mode, the maximum baud rate allowed on the SCK input is limited to  $F_{OSC} \div 4$ .

**Table 250.** Serial Bit Rates

SPR2	SPR1	SPR0	Bit Rate (kHz) Vs $F_{PER}$ (MHz)							$F_{PER}$ Divider
			6 <sup>(1)</sup>	8 <sup>(1)</sup>	10 <sup>(1)</sup>	12 <sup>(1)(2)</sup>	16 <sup>(2)</sup>	20 <sup>(2)</sup>	24 <sup>(2)</sup>	
0	0	0	3000	4000	5000	6000	8000	10000	12000	2
0	0	1	1500	2000	2500	3000	4000	5000	6000	4
0	1	0	750	1000	1250	1500	2000	2500	3000	8
0	1	1	375	500	625	750	1000	1250	1500	16
1	0	0	187.5	250	312.5	375	500	625	750	32
1	0	1	93.75	125	156.25	187.5	250	312.5	375	64
1	1	0	46.875	62.5	78.125	93.75	125	156.25	187.5	128
1	1	1	-	-	-	-	-	-	-	Reserved

Notes: 1. These frequencies are achieved in X1 mode,  $F_{PER} = F_{OSC} \div 2$ .  
 2. These frequencies are achieved in X2 mode,  $F_{PER} = F_{OSC}$ .

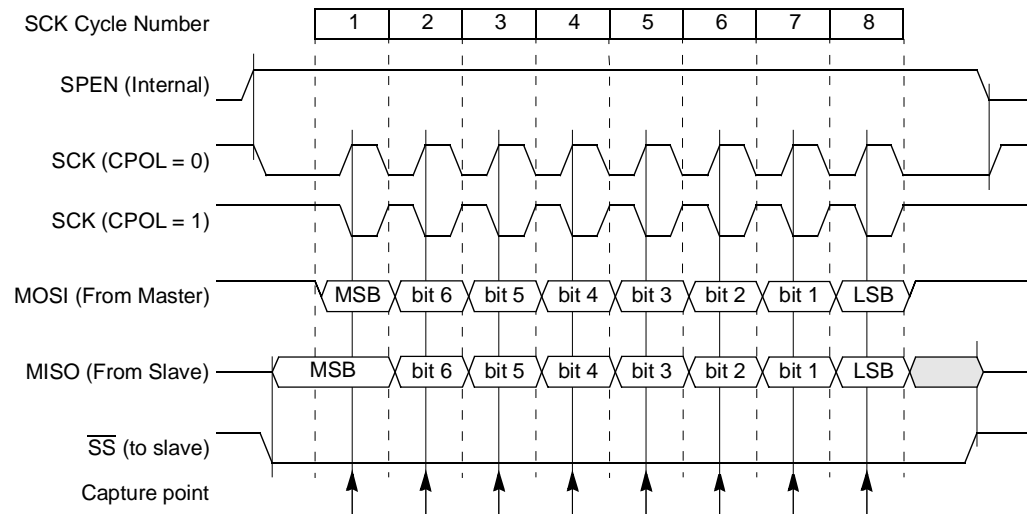
## Data Transfer

The Clock Polarity bit (CPOL in SPCON) defines the default SCK line level in idle state<sup>(1)</sup> while the Clock Phase bit (CPHA in SPCON) defines the edges on which the input data are sampled and the edges on which the output data are shifted (see Figure 119 and Figure 120).

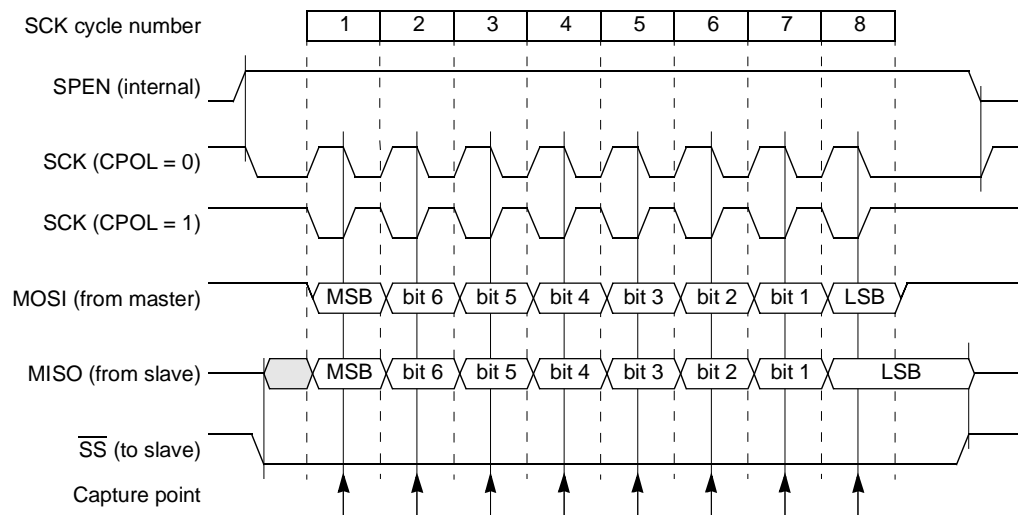
For simplicity, Figure 119 and Figure 120 depict the SPI waveforms in idealized form and do not provide precise timing information. For timing parameters refer to the Section “AC Characteristics”, page 246.

Note: 1. When the peripheral is disabled (SPEN = 0), default SCK line is high level.

**Figure 119.** Data Transmission Format (CPHA = 0, UARTM = 0)



**Figure 120.** Data Transmission Format (CPHA = 1, UARTM = 0)



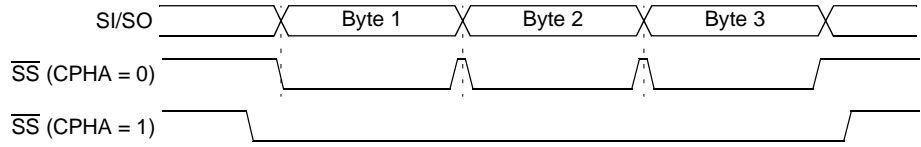
## SS Management

Figure 119 shows a SPI transmission with CPHA = 0, where the first SCK edge is the MSB capture point. Therefore the slave starts to output its MSB as soon as it is selected: SS asserted to low level. SS must then be de-asserted between each byte transmission (see Figure 121). SPDAT must be loaded with a data before SS is asserted again.

Note: In master mode, SPI transmission with CPHA = 0 is not allowed in case of DFC transfer.

Figure 120 shows a SPI transmission with CPHA = 1, where the first SCK edge is used by the slave as a start of transmission signal. Therefore,  $\overline{SS}$  may remain asserted between each byte transmission (see Figure 121). This format may be preferred in systems having only one master and only one slave driving the MISO data line.

**Figure 121.**  $\overline{SS}$  Timing Diagram



## Queuing Transmission

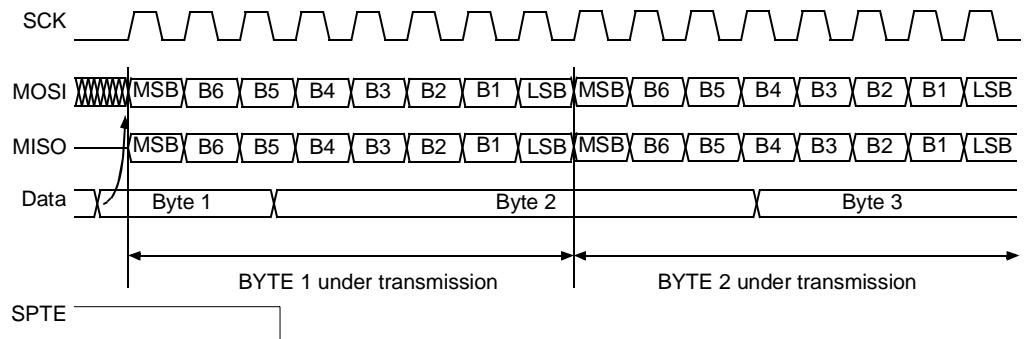
For a SPI configured in master or slave mode, a queued data byte must be transmitted/received immediately after the previous transmission has completed.

When a transmission is in progress a new data can be queued and sent as soon as transmission has been completed. So it is possible to transmit bytes without latency, useful in some applications.

The SPTE bit in SPSCR is set as long as the transmission buffer is free. It means that the user application can write SPDAT with the next data to be transmitted until the SPTE becomes cleared.

Figure 122 shows a queuing transmission in master mode. Once the Byte 1 is ready, it is immediately sent on the bus. Meanwhile another byte is prepared (and the SPTE is cleared), it will be sent at the end of the current transmission. The next data must be ready before the end of the current transmission.

**Figure 122.** Queuing Transmission In Master Mode



In slave mode it is almost the same except it is the external master that starts the transmission. Also, in slave mode, if no new data is ready, the last value received will be the next data byte transmitted.

## Error Conditions

The following flags in SPSCR register signal the SPI error conditions:

- MODF signals a mode fault condition.
- OVR signals an overrun condition.

### Mode Fault in Master Mode

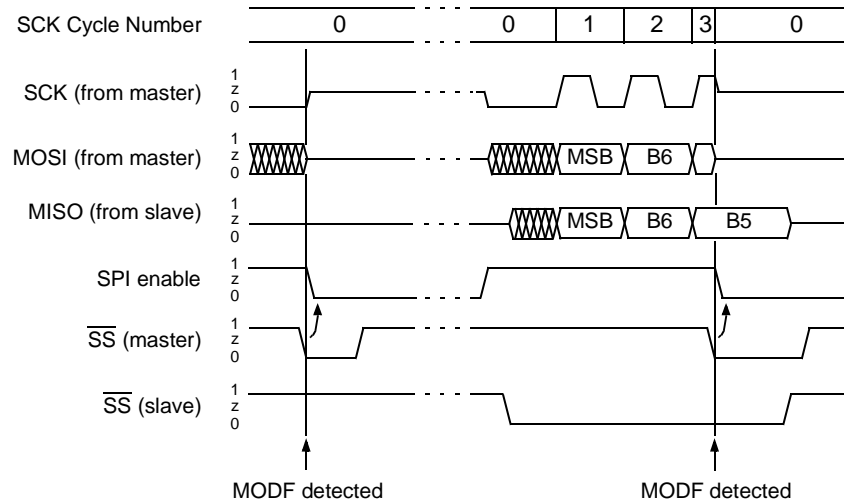
MODF is set to warn that there may be a multi-master conflict for system control. In this case, the SPI controller is affected in the following ways:

- a SPI receiver/error CPU interrupt request is generated
- the SPEN bit in SPCON is cleared. This disables the SPI

- the MSTR bit in SPCON is cleared

Clearing the MODF bit is accomplished by reading SPSCR with MODF bit set, followed by a write to SPCON. SPI controller may be re-enabled (SPEN = 1) after the MODF bit is cleared.

**Figure 123.** Mode Fault Conditions in Master Mode (CPHA = 1 / CPOL = 0)



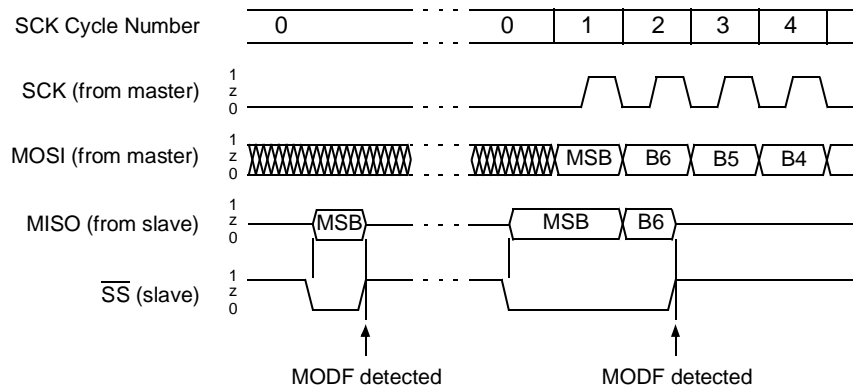
Note: When  $\overline{SS}$  is disabled (SSDIS set) it is not possible to detect a MODF error in master mode because the SPI is internally unselected and the SS pin is a general purpose I/O.

*Mode Fault in Slave Mode*

MODF error is detected when  $\overline{SS}$  goes high during a transmission. A transmission begins when  $\overline{SS}$  goes low and ends once the incoming SCK goes back to its idle level following the shift of the eighth data bit. A MODF error occurs if a slave is selected ( $\overline{SS}$  is low) and later unselected ( $\overline{SS}$  is high) even if no SCK is sent to that slave.

At any time, a '1' on the  $\overline{SS}$  pin of a slave SPI puts the MISO pin in a high impedance state and internal state counter is cleared. Also, the slave SPI ignores all incoming SCK clocks, even if it was already in the middle of a transmission. A new transmission will be performed as soon as  $\overline{SS}$  pin returns low.

**Figure 124.** Mode Fault Conditions in Slave Mode



Note: when  $\overline{SS}$  is disabled (SSDIS set) it is not possible to detect a MODF error in slave mode because the SPI is internally selected. Also the  $\overline{SS}$  pin becomes a general purpose I/O.

### OverRun Condition

This error means that the speed is not adapted for the running application. An OverRun condition occurs when a byte has been received whereas the previous one has not been read by the application yet. The last byte (which generate the overrun error) does not overwrite the unread data so that it can still be read. Therefore, an overrun error always indicates the loss of data.

### Interrupt

The SPI handles 3 interrupt sources that are the “end of transfer”, the “mode fault” and the “transmit register empty” flags.

As shown in Figure 125, these flags are combined together to appear as a single interrupt source for the C51 core.

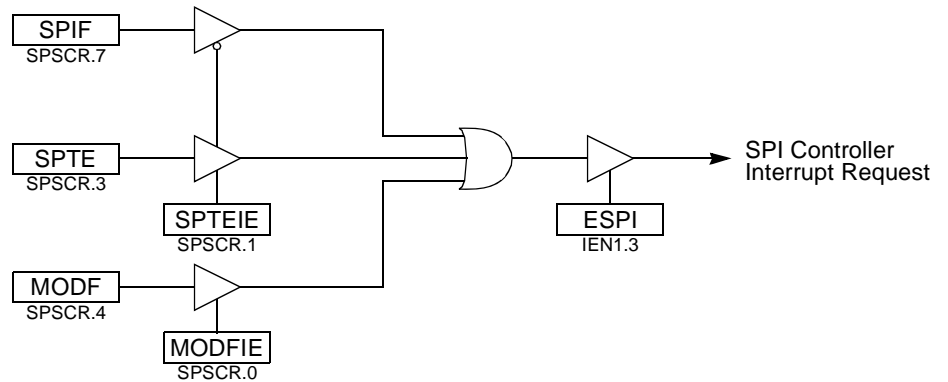
The SPIF flag is set at the end of an 8-bit shift in and out and is cleared by reading SPSCR and then reading from or writing to SPDAT.

The MODF flag is set in case of mode fault error and is cleared by reading SPSCR and then writing to SPCON.

The SPTE flag is set when the transmit register is empty and ready to receive new data. When SPTE interrupt source is enabled, SPIF flag does not generate any interrupt.

The SPI interrupt is enabled by setting ESPI bit in IEN1 register. This assumes interrupts are globally enabled by setting EA bit in IEN0 register.

**Figure 125.** SPI Interrupt System



### Registers

**Table 251.** SPCON Register

SPCON (1:91h) – SPI Control Register

7	6	5	4	3	2	1	0
SPR2	SPEN	SSDIS	MSTR	CPOL	CPHA	SPR1	SPR0
Bit Number	Bit Mnemonic	Description					
7	SPR2	<b>SPI Rate Bit 2</b> Refer to Table 250 for bit rate description.					
6	SPEN	<b>SPI Enable Bit</b> Set to enable the SPI interface. Clear to disable the SPI interface.					
5	SSDIS	<b>Slave Select Input Disable Bit</b> Set to disable $\overline{SS}$ in both master and slave modes. In slave mode this bit has no effect if CPHA = 0. Clear to enable $\overline{SS}$ in both master and slave modes.					

Bit Number	Bit Mnemonic	Description
4	MSTR	<b>Master Mode Select</b> Set to select the master mode. Clear to select the slave mode.
3	CPOL	<b>SPI Clock Polarity Bit</b> Set to have the clock output set to high level in idle state. Clear to have the clock output set to low level in idle state.
2	CPHA	<b>SPI Clock Phase Bit</b> Set to have the data sampled when the clock returns to idle state (see CPOL). Clear to have the data sampled when the clock leaves the idle state (see CPOL).
1-0	SPR1:0	<b>SPI Rate Bits 0 and 1</b> Refer to Table 250 for bit rate description.

Reset Value = 0001 0100b

**Table 252.** SPSCR Register

SPSCR (1.92h) – SPI Status and Control Register

7	6	5	4	3	2	1	0
SPIF	-	OVR	MODF	SPTE	UARTM	SPTEIE	MODFIE

Bit Number	Bit Mnemonic	Description
7	SPIF	<b>SPI Interrupt Flag</b> Set by hardware when an 8-bit shift is completed. Cleared by hardware to indicate data transfer is in progress or has been acknowledged by a clearing sequence: reading or writing SPDAT after reading SPSCR.
6	-	<b>Reserved</b> The value read from this bit is indeterminate. Do not set this bit.
5	OVR	<b>Overrun Error Flag</b> Set by hardware when a byte is received whereas SPIF is set (the previous received data is not overwritten). Cleared by hardware when reading SPSCR.
4	MODF	<b>Mode Fault Interrupt Flag</b> Set by hardware to indicate that the $\overline{SS}$ pin is in inappropriate logic level. Cleared by hardware when reading SPSCR When MODF error occurred: - In slave mode: SPI interface ignores all transmitted data while $\overline{SS}$ remains high. A new transmission is performed as soon as $\overline{SS}$ returns low. - In master mode: SPI interface is disabled (SPEN=0, see description for SPEN bit in SPCON register).
3	SPTE	<b>Serial Peripheral Transmit register Empty Interrupt Flag</b> Set by hardware when transmit register is empty (if needed, SPDAT can be loaded with another data). Cleared by hardware when transmit register is full (no more data should be loaded in SPDAT).
2	UARTM	<b>Serial Peripheral UART mode</b> Set to select UART mode: data is transmitted LSB first. Clear to select SPI mode: data is transmitted MSB first.

Bit Number	Bit Mnemonic	Description
1	SPTEIE	<b>SPTE Interrupt Enable Bit</b> Set to enable SPTE interrupt generation. Clear to disable SPTE interrupt generation.
0	MODFIE	<b>MODF Interrupt Enable Bit</b> Set and cleared by software: - Set to enable MODF interrupt generation - Clear to disable MODF interrupt generation

Reset Value = 0000 1000b

**Table 253.** SPDAT Register

SPDAT (1:93h) – Synchronous Serial Data Register

7	6	5	4	3	2	1	0
SPD7	SPD6	SPD5	SPD4	SPD3	SPD2	SPD1	SPD0
Bit Number	Bit Mnemonic	Description					
7-0	SPD7:0	<b>Synchronous Serial Data.</b>					

Reset Value = XXXX XXXXb



## Display Interface

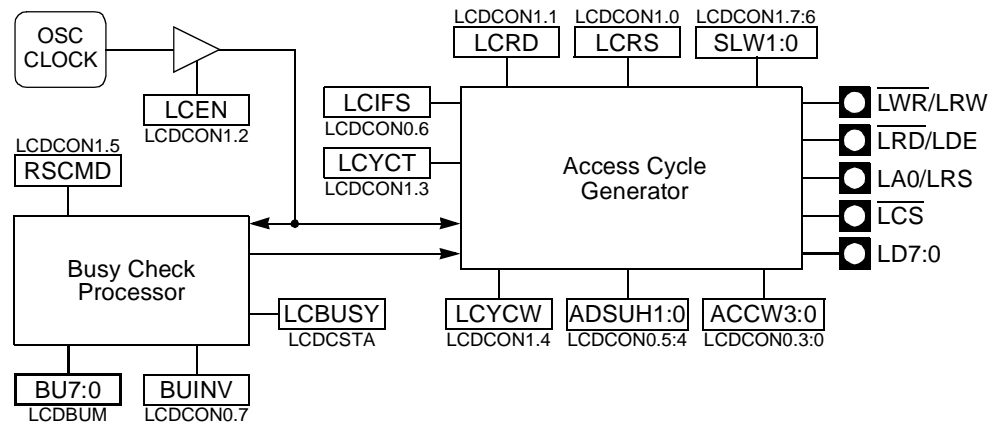
The AT85C51SND3Bx implement a display interface allowing glueless direct interfacing (thanks to its highly configurable capability) to almost all of the LCD controllers found in either graphic or text LCD display.

These LCD controllers interface is from either 6800 or 8080 compatible type with some variant in the implementation.

The display interfaces to the C51 core through the following special function registers: LCDCON0, LCDCON1, the LCD control registers (see Table 255 and Table 256); LCDSTA, the LCD status register (see Table 257); LCDBUM, the LCD busy mask register (see Table 258); and LCDDAT, the LCD data register (see Table 259).

As shown in Figure 126, the Display Interface is divided in two major blocks: the Access Cycle Generator which generates read or write cycles to the LCD controller, and the Busy Check Processor which enables automatic busy checking after any read or write cycles.

**Figure 126.** Display Interface Block Diagram



## Configuration

### Interface Enable

Setting LCEN bit in LCDCON1 enables the display interface. When this bit is cleared, all signals to the controller are switch back to I/O port alternate function. Thus after reset, all signals are set to high level.

### Interface Selection

The display interface is programmed in 6800 type or 8080 type by setting or clearing the LCIFS bit LCDCON0. Table 254 shows the pin configuration depending on the interface selected.

**Table 254.** Pin Configuration vs. LCD Controller Interface Type (6800/8080)

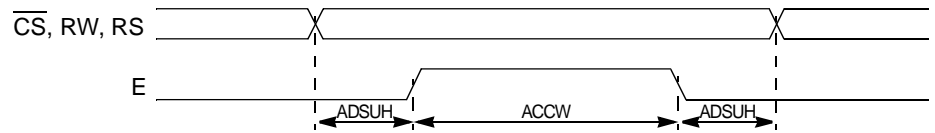
Pin Name	8080 Type Controller	6800 Type Controller
$\overline{\text{LWR}}/\text{LRW}$	$\overline{\text{WR}}$	RW
$\overline{\text{LRD}}/\text{LDE}$	$\overline{\text{RD}}$	E
LA0/LRS	A0	RS
$\overline{\text{LCS}}$	$\overline{\text{CS}}$	$\overline{\text{CS}}$
LD7:0	D7:0	D7:0

## Access Cycles

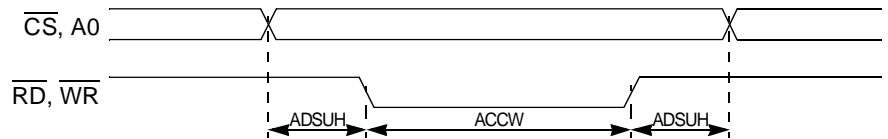
The AT85C51SND3Bx enables connection of LCD controller with normalized 6800 and 8080 interface as shown in Figure 127 and Figure 128, but also enables connection of LCD controller with non normalized 6800 and 8080 interface as shown in Figure 129 and Figure 130.

This is achieved by setting or clearing CYCT bit in LCDCON1 for selecting non normalized or normalized access type.

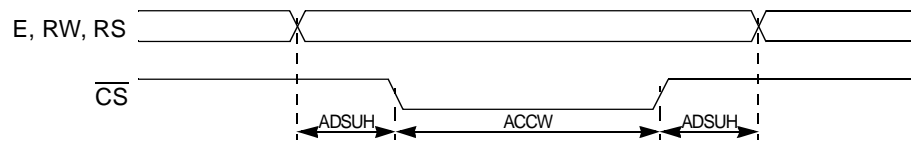
**Figure 127.** 6800 Normalized Type Access Cycle



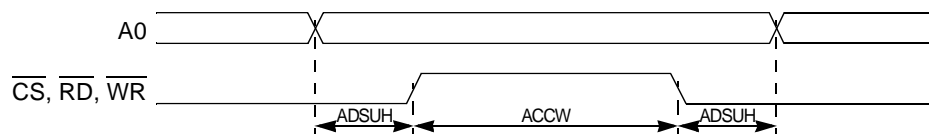
**Figure 128.** 8080 Normalized Type Access Cycle



**Figure 129.** 6800 Special Type Access Cycle



**Figure 130.** 8080 Special Type Access Cycle



## Timings Configuration

As detailed in Figure 131, access cycle timing can be configured to comply with the LCD controller specification. These timing parameters are:

- Address set-up time
- Access width time
- Address hold time
- Sleep Wait time

### Address Set-Up and Hold Time

The address set-up and hold time can be programmed by ADSUH1:0 bits in LCDCON0 from 1 oscillator clock period up to 4 oscillator clock periods. These timing are not dissociated and must be programmed to the highest time value of the set-up and hold time parameters.

### Access Width Time

The access width time can be programmed by ACCW3:0 bits in LCDCON0 from 1 oscillator clock period up to 16 oscillator clock period.

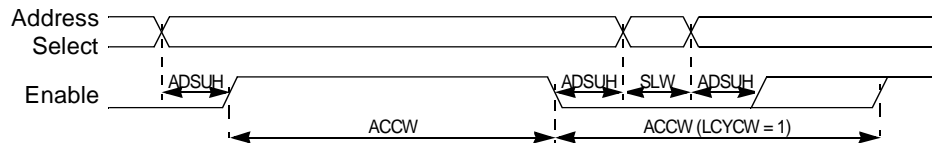
## Sleep Wait Time

The sleep wait time is the time between two consecutive access cycle. It can be programmed by SLW1:0 bits in LCDCON1 from 1 oscillator clock period up to 4 oscillator clock periods

## Full Access Cycle Time

The full access cycle time can be computed by adding the address set-up time, the access width time, the address hold time and the sleep wait time. However, some LCD controller may require that the inactive state of the selection signal being equal to the access width time. In such case, LCYCW bit in LCDCON1 must be set.

**Figure 131.** Full Access Cycle Timing



## Automatic Busy Process

An automatic busy check process can be enabled after any read or write access to the LCD controller to verify this one is ready to execute next instruction.

Busy check configuration uses BUINV bit in LCDCON0, BUM7:0 data in LCDBUM and RSCMD bit in LCDCON1.

RSCMD is used to program the address of the status register (L or H depending on the LCD controller) during the status read cycle.

The busy process performs reads of the LCD controller status register until all relevant busy bits are deasserted (i.e. controller ready). Relevant bits are selected by the BUM7:0 bits set. And busy asserted level is programmed by BUINV, set this bit when busy bit(s) are asserted low, clear it otherwise.

When LCDBUM is reset (i.e. all bits cleared), no busy check is performed.

## Busy Report

The busy state report is done by the LCBUSY flag in LCDSTA. LCBUSY is set at the beginning of any read or write cycles and cleared at the end of any access cycle (after the sleep wait time) when the automatic busy check process is disabled or at the end of the first LCD controller ready status read cycle (after the sleep wait time) when the automatic busy check process is enabled.

LCBUSY flag must be checked before performing any read or write cycle to the LCD controller.

## Read / Write Operation

LCD controllers have two registers, the display data register and instruction/status register. To determine which register will be accessed, LCRS bit in LCDCON1 must be configured according to the LCD controller.

## Write Access

While the display interface is enabled, writing a data to LCDDAT launches a write cycle to the LCD controller according to the programmed configuration.

## Read Access

While the display interface is enabled, setting LCRD bit in LCDCON1 launches a read cycle to the LCD controller according to the programmed configuration. At the end of the read cycle, including busy time, data can be retrieved by reading LCDAT. Reading LCDAT automatically relaunches a new read cycle to the LCD controller allowing continuous read of data.

## Registers

**Table 255.** LCDCON0 Register

LCDCON0 (1.96h) – LCD Control Register 0

7	6	5	4	3	2	1	0
BUIV	LCIFS	ADSUH1	ADSUH0	ACCW3	ACCW2	ACCW1	ACCW0
Bit Number	Bit Mnemonic	Description					
7	BUIV	<b>Busy Invert Active</b> Set to check busy bits selected in LCDBUM as active low. Clear to check busy bits selected in LCDBUM as active high.					
6	LCIFS	<b>Interface Select Bit</b> Set to select 6800 interface type. Clear to select 8080 interface type.					
5-4	ADSUH1:0	<b>Address Setup/Hold</b> Address Setup and hold length in clock periods (from 1 to 4 clock periods).					
3-0	ACCW3:0	<b>Access Cycle Width</b> Access width in clock periods (from 1 to 16 clock periods). In 8080 mode, corresponds to WR or RD low state. In 6800 mode, corresponds to E high state.					

Reset Value= 0000 0000b

**Table 256.** LCDCON1 Register

LCDCON1 (1.8Eh) – LCD Control Register 1

7	6	5	4	3	2	1	0
SLW1	SLW0	RSCMD	LCYCW	LCYCT	LCEN	LCRD	LCRS
Bit Number	Bit Mnemonic	Description					
7-6	SLW1:0	<b>Sleep Wait States</b> <b>Busy check process enabled</b> Number of wait states between a read or write access and a busy check process (from 1 to 4 clock periods). <b>Busy check process disabled</b> Number of wait states between two read or write accesses (from 1 to 4 clock periods).					
5	RSCMD	<b>RS Command/Status</b> Set to output high level on LA0/LRS pin during busy check process. Clear to output low level on LA0/LRS pin during busy check process. This value depends on the LCD controller.					
4	LCYCW	<b>Deassertion Cycle Width</b> Set to program E or $\overline{RD}/\overline{WR}$ signals deassertion time to the number of clock set in ACCW3:0 bits. Clear to let E or $\overline{RD}/\overline{WR}$ signals deassertion time to the number of clock set in ADSUH1:0 + SLW1:0.					

Bit Number	Bit Mnemonic	Description
3	LCYCT	<b>Cycle Type Selection</b> Set to select non normalized access cycles (6800 or 8080 interface). Clear to select normalized access cycles (6800 or 8080 interface).
2	LCEN	<b>LCD Interface Enable</b> Set to enable the LCD Interface. Clear to disable the LCD Interface.
1	LCRD	<b>LCD Read Command</b> Set to initiate a read data or status register from LCD controller. Cleared by hardware at the end of read.
0	LCRS	<b>LCD Register Select</b> Set to output high level on LA0/LRS pin during next read or write access. Clear to output low level on LA0/LRS pin during next read or write access. This value depends on the LCD controller.

Reset Value= 0000 0000b

**Table 257.** LCDSTA Register

LCDSTA (1.8Fh) – LCD Status Register

7	6	5	4	3	2	1	0
-	-	-	-	-	-	-	<b>LCBUSY</b>

Bit Number	Bit Mnemonic	Description
7:1	-	<b>Reserved</b> The value read from these bits is always 0. Do not set these bits.
0	LCBUSY	<b>Busy Flag</b> Set by hardware during any access to the LCD controller and while LCD controller is busy if busy check process is enabled.

Reset Value= 0000 0000b

**Table 258.** LCDBUM Register

LCDBUM (1.8Dh) – LCD Busy Mask Register

7	6	5	4	3	2	1	0
<b>BUM7</b>	<b>BUM6</b>	<b>BUM5</b>	<b>BUM4</b>	<b>BUM3</b>	<b>BUM2</b>	<b>BUM1</b>	<b>BUM0</b>

Bit Number	Bit Mnemonic	Description
7:0	BUM7:0	<b>Busy Mask</b> Set bits to be checked during the busy check process and thus enable the busy check process. Clear all bits to disable the busy check process.

Reset Value= 0000 0000b

**Table 259.** LCDDAT Register

LCDDAT (1.97h) – LCD Data Register

7	6	5	4	3	2	1	0
LD7	LD6	LD5	LD4	LD3	LD2	LD1	LD0
Bit Number	Bit Mnemonic	Description					
7:0	LD7:0	<b>LCD Data Byte</b> Reading a data automatically initiates a new read cycle to the LCD controller.					

Reset Value= 0000 0000b

## Keyboard Interface

The AT85C51SND3Bx implement a keyboard interface allowing the connection of a 4 x n matrix keyboard. It is based on 4 inputs with programmable interrupt capability on both high or low level. These inputs are available as alternate function of P1.3:0 and allow exit from idle and power down modes.

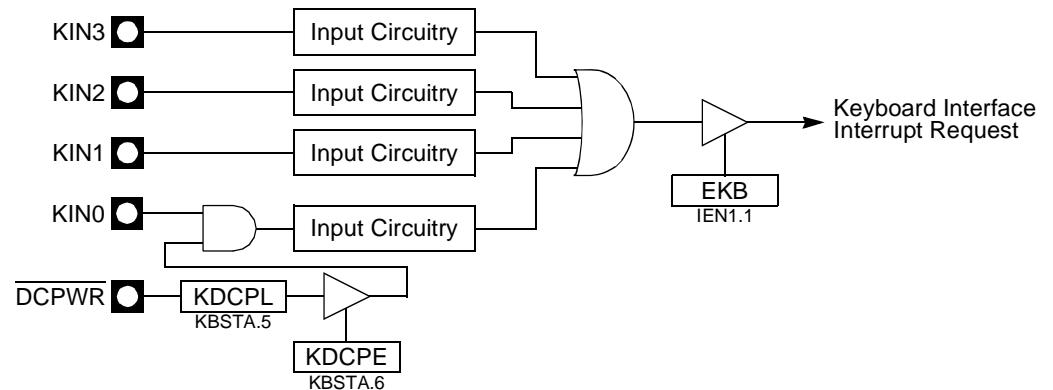
## Description

The keyboard interfaces with the C51 core through 2 special function registers: KBCON, the keyboard control register (see Table 260); and KBSTA, the keyboard control and status register (see Table 261).

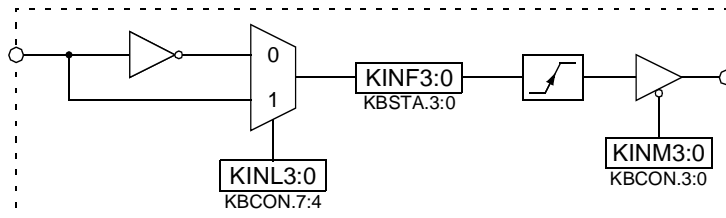
The keyboard inputs are considered as 4 independent interrupt sources sharing the same interrupt vector. An interrupt enable bit (EKB in IEN1 register) allows global enable or disable of the keyboard interrupt (see Figure 132). As detailed in Figure 133 each keyboard input has the capability to detect a programmable level according to KINL3:0 bit value in KBCON register. Level detection is then reported in interrupt flags KINF3:0 in KBSTA register.

A keyboard interrupt is requested each time one of the four flags is set, i.e. the input level matches the programmed one. Each of these four flags can be masked by software using KINM3:0 bits in KBCON register and is cleared by reading KBSTA register. This structure allows keyboard arrangement from 1 by n to 4 by n matrix and allows usage of KIN inputs for any other purposes.

**Figure 132.** Keyboard Interface Block Diagram



**Figure 133.** Keyboard Input Circuitry



## Power Reduction Modes

KIN3:0 inputs allow exit from idle and power-down modes as detailed in Section “Power Reduction Mode”, page 20. To enable power-down mode exit, KPDE bit in KBSTA register must be set.

Due to the asynchronous keypad detection in power down mode (all clocks are stopped), exit may happen on parasitic key press. In this case, no key is detected and software returns to power down again.

## Registers

**Table 260.** KBCON Register

KBCON (0.A3h) – Keyboard Control Register

7	6	5	4	3	2	1	0
KINL3	KINL2	KINL1	KINL0	KINM3	KINM2	KINM1	KINM0
Bit Number	Bit Mnemonic	Description					
7-4	KINL3:0	<b>Keyboard Input Level Bit</b> Set to enable a high level detection on the respective KIN3:0 input. Clear to enable a low level detection on the respective KIN3:0 input.					
3-0	KINM3:0	<b>Keyboard Input Mask Bit</b> Set to prevent the respective KINF3:0 flag from generating a keyboard interrupt. Clear to allow the respective KINF3:0 flag to generate a keyboard interrupt.					

Reset Value = 0000 1111b

**Table 261.** KBSTA Register

KBSTA (0.A4h) – Keyboard Control and Status Register

7	6	5	4	3	2	1	0
KPDE	KDCPE	KDCPL	-	KINF3	KINF2	KINF1	KINF0
Bit Number	Bit Mnemonic	Description					
7	KPDE	<b>Keyboard Power Down Enable Bit</b> Set to enable exit of power down mode by the keyboard interrupt. Clear to disable exit of power down mode by the keyboard interrupt.					
6	KDCPE	<b>Keyboard <math>\overline{\text{DCPWR}}</math> Pin Enable</b> Set to connect $\overline{\text{DCPWR}}$ pin on KIN0 input. Clear to isolate $\overline{\text{DCPWR}}$ pin from KIN0 input.					
5	KDCPL	<b>Keyboard <math>\overline{\text{DCPWR}}</math> Pin Line</b> Set by hardware and represent the level on $\overline{\text{DCPWR}}$ input.					
4	-	<b>Reserved</b> The value read from this bit is always 0. Do not set this bit.					
3-0	KINF3:0	<b>Keyboard Input Interrupt Flag</b> Set by hardware when the respective KIN3:0 input detects a programmed level. Cleared when reading KBSTA.					

Reset Value = 0010 0000b



## Electrical Characteristics

### Absolute Maximum Rating

Storage Temperature .....	-65 to +150°C	<b>*NOTICE:</b> Stressing the device beyond the “Absolute Maximum Ratings” may cause permanent damage. These are stress ratings only. Operation beyond the “operating conditions” is not recommended and extended exposure beyond the “Operating Conditions” may affect device reliability.
Voltage on any other Pin to $V_{SS}$ .....	-0.3 to +4.0 V	
$I_{OL}$ per I/O Pin .....	5 mA	
Power Dissipation .....	1 W	
Operating Conditions		
Ambient Temperature Under Bias.....	-40 to +85°C	
$V_{DD}$ .....	TBD V	

### DC Characteristics

#### Digital Logic

**Table 257.** Digital DC Characteristics

$IOV_{DD} = 1.65$  to  $3.6$  V;  $T_A = -40$  to  $+85^\circ\text{C}$

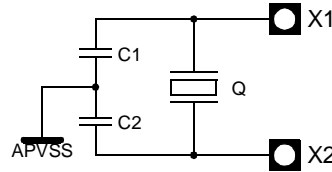
Symbol	Parameter	Min	Typ <sup>(1)</sup>	Max	Units	Test Conditions
$V_{IL}$	Input Low Voltage	-0.5		$0.25 \cdot IOV_{DD}$	V	
$V_{IH1}$	Input High Voltage (except X1)	$0.65 \cdot IOV_{DD}$		$IOV_{DD} + 0.5$	V	
$V_{IH2}$	Input High Voltage ( X1)	$0.7 \cdot IOV_{DD}$		$IOV_{DD} + 0.5$	V	
$V_{OL}$	Output Low Voltage			0.4	V	$I_{OL} = 3$ mA
$V_{OH1}$	Output High Voltage (P0, P1, P2, P3, P4, P5)	$IOV_{DD} - 0.7$			V	$I_{OH} = -30$ $\mu\text{A}$
$V_{OH2}$	Output High Voltage (NFD7:0, NFALE, NFCLE, NFRE, NFWF, NFCE3:0, LD7:0, SDCMD, SDLCK, SDDAT3:0, RXD, TXD, MISO, MOSI, $\overline{\text{RTS}}$ , $\overline{\text{LCS}}$ , LA0/LRS, $\overline{\text{LRD/LDE}}$ , $\overline{\text{LWR/LRW}}$ , $\overline{\text{SCS}}$ , $\overline{\text{SRD}}$ , $\overline{\text{SWR}}$ , SA0, $\overline{\text{OCLK}}$ , $\overline{\text{DCLK}}$ , $\overline{\text{DDAT}}$ , $\overline{\text{DSEL}}$ )	$IOV_{DD} - 0.7$			V	$I_{OH} = -3$ mA
$I_{IL}$	Logical 0 Input Current (P0, P1, P2, P3, P4, P5)			-50	$\mu\text{A}$	$V_{IN} = 0.4$ V
$I_{LI}$	Input Leakage Current (NFD7:0, NFALE, NFCLE, NFRE, NFWF, NFCE0)			10	$\mu\text{A}$	$0 < V_{IN} < V_{DD}$
$I_{TL}$	Logical 1 to 0 Transition Current (P0, P1, P2, P3, P4 and P5)			-650	$\mu\text{A}$	$V_{IN} = 1.0$ V $V_{IN} = 2.0$ V
$R_{RST}$	$\overline{\text{RST}}$ Pull-Up Resistor	10	16	21	k $\Omega$	
$C_{IO}$	Pin Capacitance		10		pF	$T_A = 25^\circ\text{C}$

Notes: 1. Typical values are obtained at  $T_A = 25^\circ\text{C}$ . They are not tested and there is no guarantee on these values.

## Oscillator & Crystal

### Schematic

**Figure 134.** Crystal Connection



Note: For operation with most standard crystals, no external components are needed on X1 and X2. It may be necessary to add external capacitors on X1 and X2 to ground in special cases (max 10 pF).

### Parameters

**Table 258.** Oscillator & Crystal Characteristics

$V_{DD} = 1.65$  to  $3.6$  V;  $T_A = -40$  to  $+85^\circ\text{C}$

Symbol	Parameter	Min	Typ	Max	Unit
$C_{X1}$	Internal Capacitance (X1 - VSS)		10		pF
$C_{X2}$	Internal Capacitance (X2 - VSS)		10		pF
$C_L$	Equivalent Load Capacitance (X1 - X2)		5		pF
DL	Drive Level			50	$\mu\text{W}$
F	Crystal Frequency <sup>(1)</sup>	12		24	MHz
RS	Crystal Series Resistance			40	$\Omega$
CS	Crystal Shunt Capacitance			6	pF

Notes: 1. Authorized crystal frequencies are 12, 16, 20 and 24 MHz  
 2. Authorised input frequencies are 12, 13, 16, 19.2, 19.5, 20, 24 and 26MHz

## DC to DC Convertor

### Schematic

**Figure 135.** Battery DC-DC Connection



Notes: 1. Mandatory connection if DC-DC is used.  
 2. Depending on power supply scheme,  $C_{DC1}$  may replace  $C_{LV}$  capacitor (see Figure 136).

Parameters

**Table 259.** DC-DC Filter Characteristics

$T_A = -40$  to  $+85^\circ\text{C}$

Symbol	Parameter	Min	Typ	Max	Unit
$L_{DC}$	DC-DC Inductance		10		$\mu\text{H}$
$C_{DC1}$	Low ESR Decoupling Capacitor		20		$\mu\text{F}$
$C_{DC2}$	Low ESR Decoupling Capacitor		100		nF

**Table 260.** DC-DC Power Characteristics

$V_{BAT} = 0.9$  to  $3.6$  V;  $T_A = -40$  to  $+85^\circ\text{C}$

Symbol	Parameter	Min	Typ	Max	Unit	Test Conditions
$V_{BAT}$	DC-DC Input Voltage	0.9		3.6	V	$I_{DC} = 40$ mA
$V_{DC}$	DC-DC Output Voltage	1.6	1.75	1.9	V	$I_{DC} = 40$ mA
$I_{DC}$	DC-DC Output Current			40	mA	$V_{BAT} = 1.0$ V
$H_{MAX}$	Maximum Efficiency	92			%	$V_{BAT} = 1.5$ V
$F_{SWITCH}$	Switching Frequency	0.5	1.5	3	MHz	
$R_{DCP}$	DCPWR Input Pull-Up Resistor		30		K $\Omega$	

Regulators

Schematic

**Figure 136.** Regulator Connection



Note: Depending on power supply scheme,  $C_{LV}$  may replace  $C_{DC1}$  capacitor (see Figure 135).

Parameters

**Table 261.** Regulator Filter Characteristics

$T_A = -40$  to  $+85^\circ\text{C}$

Symbol	Parameter	Min	Typ	Max	Unit
$C_{HV}$	Decoupling Capacitor		10		$\mu\text{F}$
$C_{LV}$	Decoupling Capacitor		20		$\mu\text{F}$

**Table 262.** High Voltage Regulator Power Characteristics

$UV_{CC} = 4.4$  to  $5.5$  V;  $T_A = -40$  to  $+85^\circ\text{C}$

Symbol	Parameter	Min	Typ	Max	Unit	Test Conditions
$V_{HV}$	High Voltage Regulator Output Voltage	3.1	3.3	3.5	V	$I_{DC} = 50$ mA
$I_{HV}$	High Voltage Regulator Output Current			50	mA	

**Table 263.** Low Voltage Regulator Power Characteristics

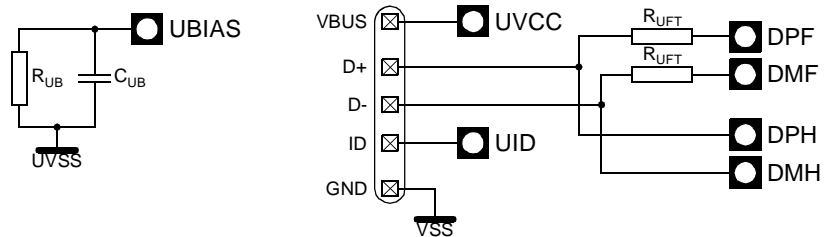
$HV_{DD} = 3 \text{ to } 3.6 \text{ V}$ ;  $T_A = -40 \text{ to } +85^\circ\text{C}$

Symbol	Parameter	Min	Typ	Max	Unit	Test Conditions
$V_{LV}$	Low Voltage Regulator Output Voltage	1.7	1.8	1.9	V	$I_{DC} = 50 \text{ mA}$
$I_{LV}$	Low Voltage Regulator Output Current			50	mA	

## USB

### Schematic

**Figure 137.** USB Connection



### Parameters

**Table 264.** USB Component Characteristics

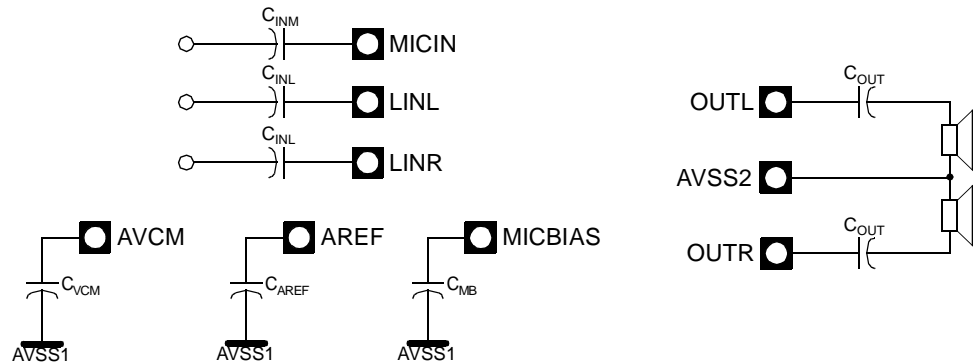
$T_A = -40 \text{ to } +85^\circ\text{C}$

Symbol	Parameter	Min	Typ	Max	Unit
$R_{UFT}$	USB Full Speed Termination Resistor		39		$\Omega$
$R_{UB}$	USB Bias Filter Resistor		6810		$\Omega$
$C_{UB}$	USB Bias Filter Capacitor		10		pF

## Audio Codec

### Schematic

**Figure 138.** Audio Codec Connection



Parameters

**Table 265.** Audio Codec Components Characteristics

$T_A = -40$  to  $+85^\circ\text{C}$

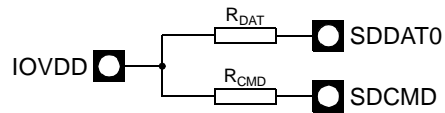
Symbol	Parameter	Min	Typ	Max	Unit
$C_{OUT}$	OUTR/OUTL DC-Decoupling Capacitor		100 <sup>(1)</sup> 0.1 <sup>(2)</sup>		$\mu\text{F}$
$C_{INL}$	LINR/LINL DC-Decoupling Capacitor		1		$\mu\text{F}$
$C_{INM}$	MICIN DC-Decoupling Capacitor		1		$\mu\text{F}$
$C_{VCM}$	AVCM Filter Capacitor		100		nF
$C_{AREF}$	AREF Filter Capacitor		1		$\mu\text{F}$
$C_{MB}$	MICBIAS Filter Capacitor		10		nF

Notes: 1. Value in low impedance mode (Headphone mode when AODRV = 1)  
2. Value in high impedance mode (Line out mode when AODRV = 0)

**MMC Controller**

Schematic

**Figure 139.** MMC Connection



Parameters

**Table 266.** MMC Components Characteristics

$T_A = -40$  to  $+85^\circ\text{C}$

Symbol	Parameter	Min	Typ	Max	Unit
$R_{CMD}$	MMC/SD Command Line Pull-Up Resistor		100		$\text{K}\Omega$
$R_{DAT}$	MMC/SD Data Line Pull-Up Resistor		10		$\text{K}\Omega$

## AC Characteristics

### NFC Interface

#### Definition of Symbols

**Table 1.** NFC Interface Timing Symbol Definitions

Signals	
D	NFD7:0 In
O	NFD7:0 Out
R	$\overline{\text{NFRE}}$
W	$\overline{\text{NFE}}$
E	$\overline{\text{NFCEn}}$
A	NFALE
C	NFCLE

Conditions	
H	High
L	Low
V	Valid
X	No Longer Valid
Z	Floating

#### Timings

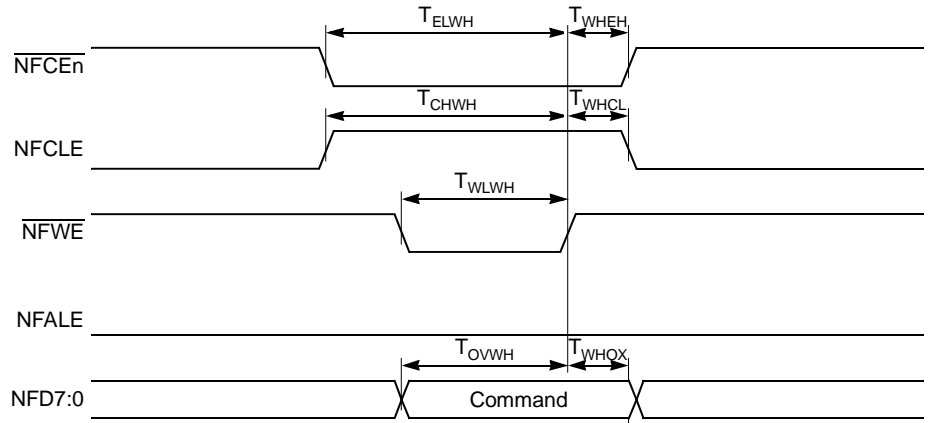
**Table 267.** NFC Interface AC timings

$V_{DD} = 1.65 \text{ to } 3.6 \text{ V}$ ;  $T_A = -40 \text{ to } +85^\circ\text{C}$ ,  $CL \leq 40\text{pF}$  (4 NF)

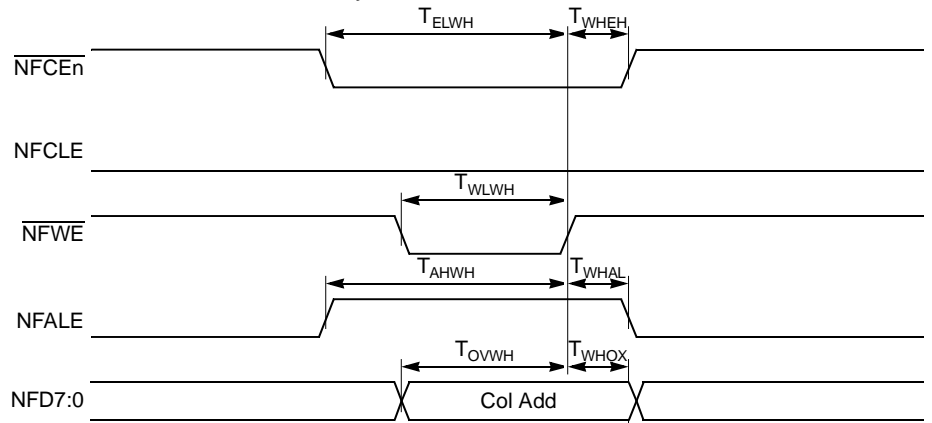
Symbol	Parameter	Min	Max	Unit
$T_{ELWH}$	$\overline{\text{NFCEn}}$ Write Setup Time	$3 \cdot T_{NFC}^{??}$		ns
$T_{WHEH}$	$\overline{\text{NFCEn}}$ Write Hold Time	$1 \cdot T_{NFC}^{??}$		ns
$T_{CHWH}$	NFCLE Setup Time	$3 \cdot T_{NFC}^{??}$		ns
$T_{WHCL}$	NFCLE Hold Time	$1 \cdot T_{NFC}^{??}$		ns
$T_{AHWH}$	NFALE Setup Time	$3 \cdot T_{NFC}^{??}$		ns
$T_{WHAL}$	NFALE Hold Time	$1 \cdot T_{NFC}^{??}$		ns
$T_{WLWH}$	$\overline{\text{NFE}}$ Pulse Width	$2 \cdot T_{NFC}^{??}$		ns
$T_{OVWH}$	Data Setup Time	$2 \cdot T_{NFC}^{??}$		ns
$T_{WHOX}$	Data Hold Time	$1 \cdot T_{NFC}^{??}$		ns
$T_{ELDV}$	$\overline{\text{NFCEn}}$ Access Time		??	ns
$T_{RLRH}$	$\overline{\text{NFRE}}$ Pulse Width	$2 \cdot T_{NFC}^{??}$ $3 \cdot T_{NFC}^{??}$		ns <sup>(1)</sup>
$T_{RLDV}$	$\overline{\text{NFRE}}$ Access Time		??	ns
$T_{RHDX}$	Data Hold Time	??		ns
$T_{RHDZ}$	Data Float after $\overline{\text{NFRE}}$ High		??	ns
$T_{EHDZ}$	Data Float after $\overline{\text{NFCEn}}$ High		??	ns

Note: 1. Refer to TRS bit in NFCON register.

**Figure 140.** NFC Command Latch Cycle Waveforms



**Figure 141.** NFC Address Latch Cycle Waveforms



**Figure 142.** NFC Read Cycle Waveforms

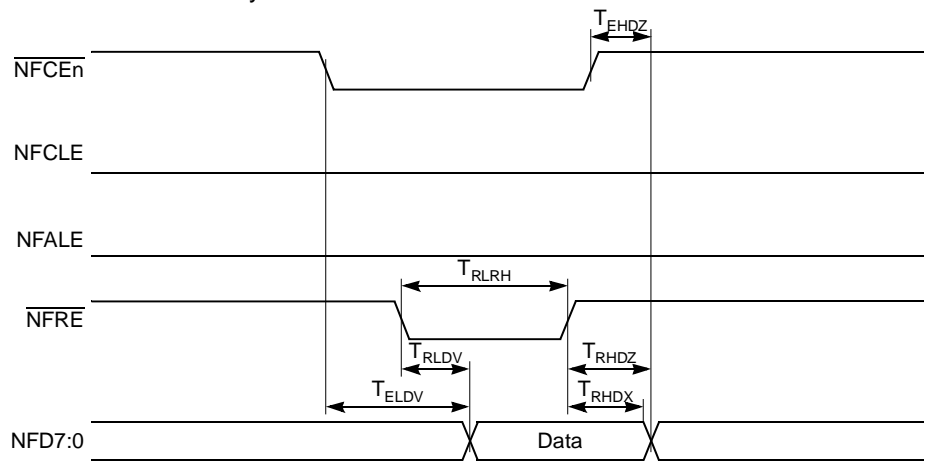
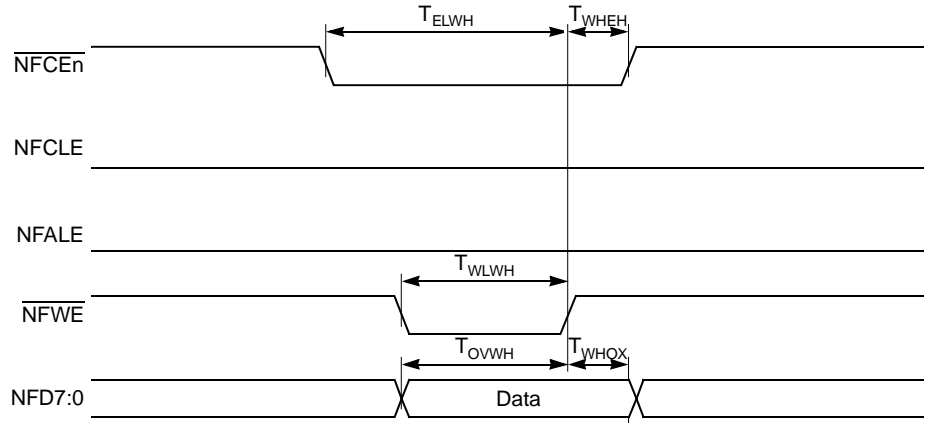


Figure 143. NFC Write Cycle Waveforms



MMC Interface

Definition of symbols

Table 268. MMC Interface Timing Symbol Definitions

Signals	
C	Clock
D	Data In
O	Data Out

Conditions	
H	High
L	Low
V	Valid
X	No Longer Valid

Timings

Table 269. MMC Interface AC timings

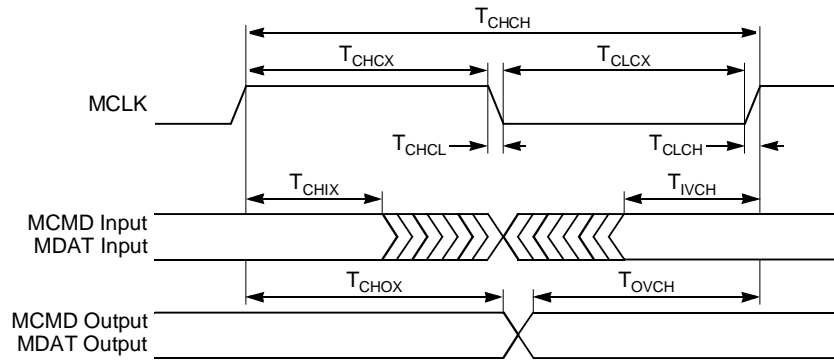
$V_{DD} = 1.65 \text{ to } 3.6 \text{ V}$ ;  $T_A = -40 \text{ to } +85^\circ\text{C}$ ,  $CL \leq 40\text{pF}$  (4 cards)

Symbol	Parameter	Min	Max	Unit
$T_{CHCH}$	Clock Period	40		ns
$T_{CHCX}$	Clock High Time	10		ns
$T_{CLCX}$	Clock Low Time	10		ns
$T_{CLCH}$	Clock Rise Time		10	ns
$T_{CHCL}$	Clock Fall Time		10	ns
$T_{DVCH}$	Input Data Valid to Clock High	3		ns
$T_{CHDX}$	Input Data Hold after Clock High	3		ns
$T_{CHOX}$	Output Data Hold after Clock High	5		ns
$T_{OVCH}$	Output Data Valid to Clock High	5		ns



Waveforms

**Figure 144.** MMC Input-Output Waveforms



**LCD Interface**

To be defined

Definition of Symbols

Timings

Waveforms

**SIO Interface**

To be defined

Definition of Symbols

Timings

Waveforms

**SPI Interface**

Definition of Symbols

**Table 270.** SPI Interface Timing Symbol Definitions

Signals	
C	Clock
I	Data In
O	Data Out

Conditions	
H	High
L	Low
V	Valid
X	No Longer Valid
Z	Floating

Timings

Test conditions: capacitive load on all pins= 50 pF.

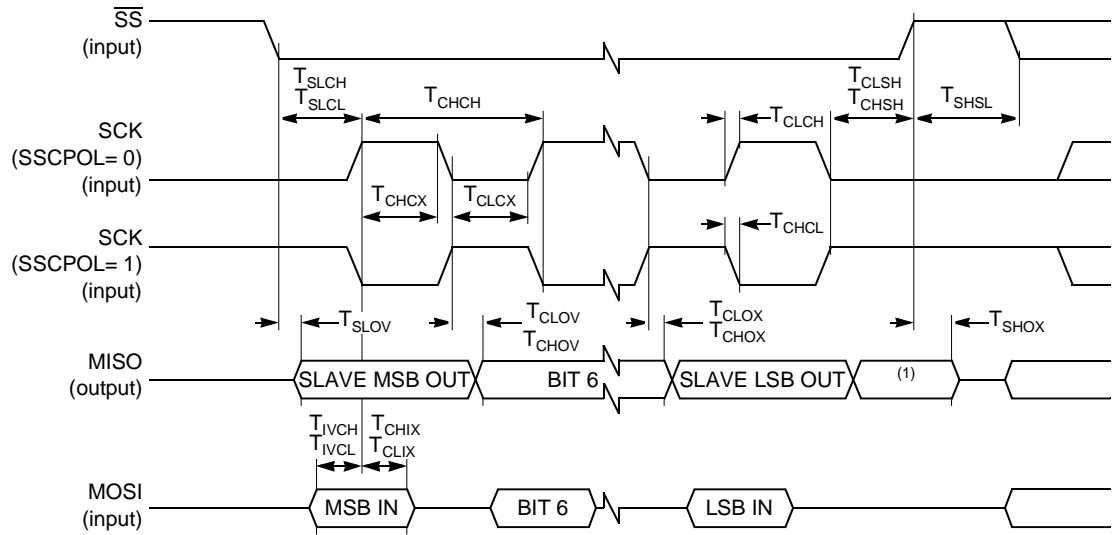
**Table 271.** SPI Interface Master AC Timing

$V_{DD} = 1.65$  to  $3.6$  V;  $T_A = -40$  to  $+85^\circ\text{C}$

Symbol	Parameter	Min	Max	Unit
<b>Slave Mode</b>				
$T_{CHCH}$	Clock Period	2		$T_{PER}$
$T_{CHCX}$	Clock High Time	0.8		$T_{PER}$
$T_{CLCX}$	Clock Low Time	0.8		$T_{PER}$
$T_{SLCH}, T_{SLCL}$	$\overline{SS}$ Low to Clock edge	100		ns
$T_{IVCL}, T_{IVCH}$	Input Data Valid to Clock Edge	40		ns
$T_{CLIX}, T_{CHIX}$	Input Data Hold after Clock Edge	40		ns
$T_{CLOV}, T_{CHOV}$	Output Data Valid after Clock Edge		40	ns
$T_{CLOX}, T_{CHOX}$	Output Data Hold Time after Clock Edge	0		ns
$T_{CLSH}, T_{CHSH}$	$\overline{SS}$ High after Clock Edge	0		ns
$T_{SLOV}$	$\overline{SS}$ Low to Output Data Valid		50	ns
$T_{SHOX}$	Output Data Hold after $\overline{SS}$ High		50	ns
$T_{SHSL}$	$\overline{SS}$ High to $\overline{SS}$ Low	(1)		
$T_{ILIH}$	Input Rise Time		2	$\mu\text{s}$
$T_{IHIL}$	Input Fall Time		2	$\mu\text{s}$
$T_{OLOH}$	Output Rise time		100	ns
$T_{OHOL}$	Output Fall Time		100	ns
<b>Master Mode</b>				
$T_{CHCH}$	Clock Period	2		$T_{PER}$
$T_{CHCX}$	Clock High Time	0.8		$T_{PER}$
$T_{CLCX}$	Clock Low Time	0.8		$T_{PER}$
$T_{IVCL}, T_{IVCH}$	Input Data Valid to Clock Edge	20		ns
$T_{CLIX}, T_{CHIX}$	Input Data Hold after Clock Edge	20		ns
$T_{CLOV}, T_{CHOV}$	Output Data Valid after Clock Edge		40	ns
$T_{CLOX}, T_{CHOX}$	Output Data Hold Time after Clock Edge	0		ns
$T_{ILIH}$	Input Data Rise Time		2	$\mu\text{s}$
$T_{IHIL}$	Input Data Fall Time		2	$\mu\text{s}$
$T_{OLOH}$	Output Data Rise time		50	ns
$T_{OHOL}$	Output Data Fall Time		50	ns

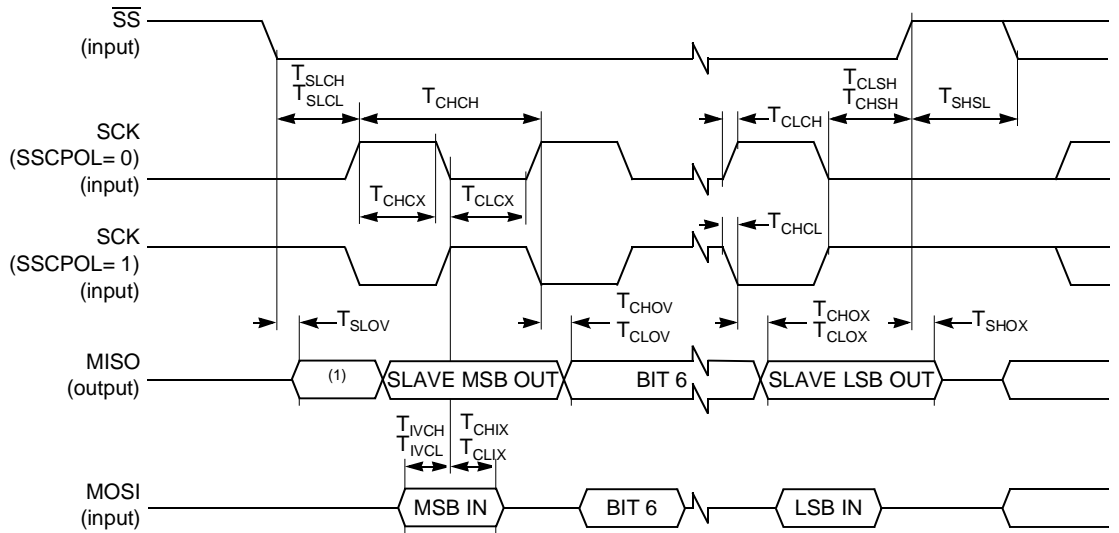
Note: 1. Value of this parameter depends on software.

**Figure 145. SPI Slave Waveforms (SSCPHA= 0)**



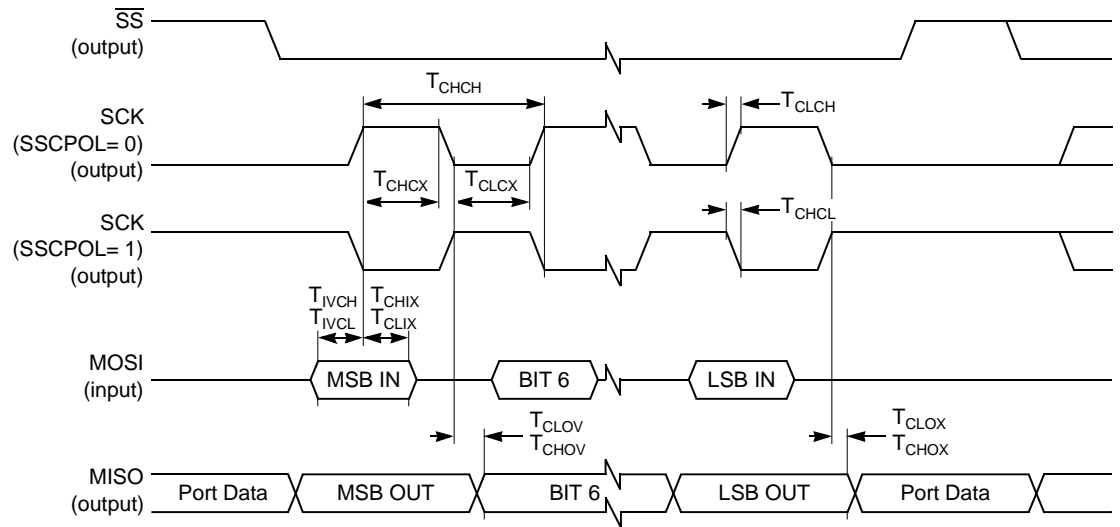
Note: 1. Not Defined but generally the MSB of the character which has just been received.

**Figure 146. SPI Slave Waveforms (SSCPHA= 1)**



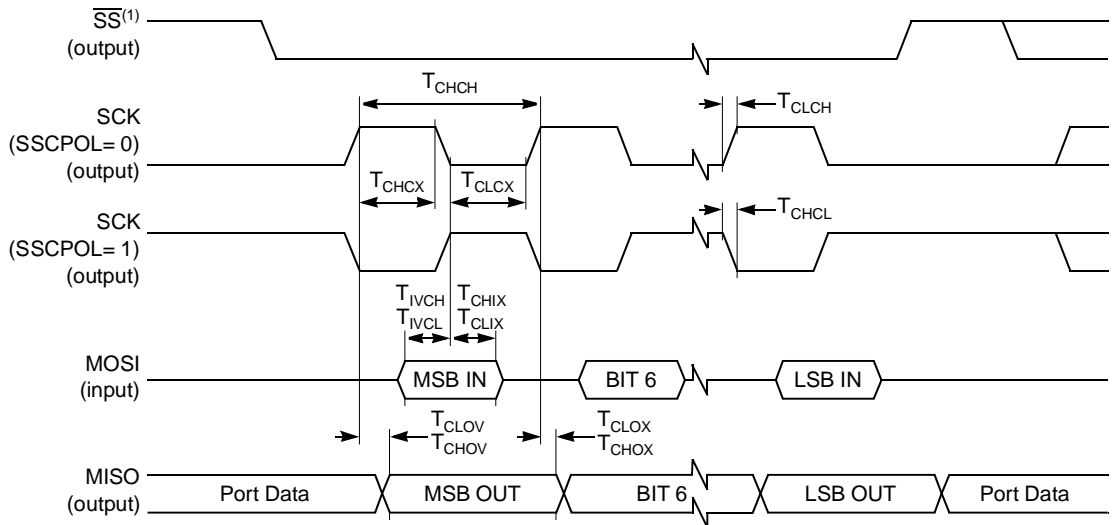
Note: 1. Not Defined but generally the LSB of the character which has just been received.

Figure 147. SPI Master Waveforms (SSCPHA= 0)



Note:  $\overline{SS}$  handled by software using general purpose port pin.

Figure 148. SPI Master Waveforms (SSCPHA= 1)



Note:  $\overline{SS}$  handled by software using general purpose port pin.

## Audio DAC Interface

### Definition of symbols

**Table 272.** Audio DAC Interface Timing Symbol Definitions

Signals	
C	Clock
O	Data Out
S	Data Select

Conditions	
H	High
L	Low
V	Valid
X	No Longer Valid

### Timings

**Table 273.** Audio Interface AC timings

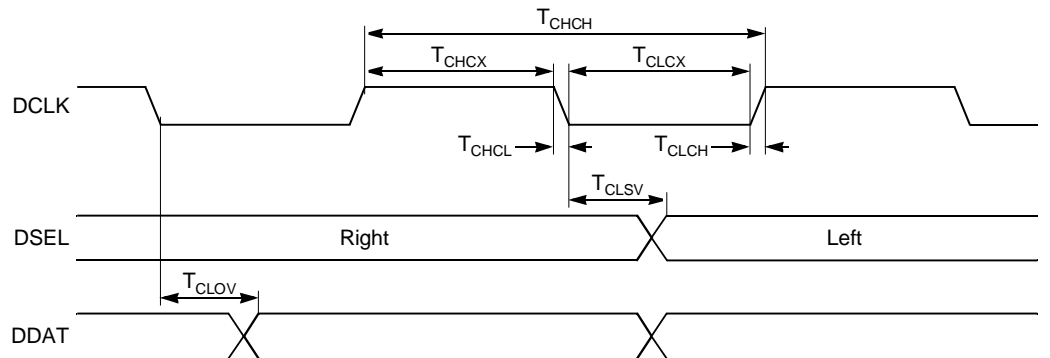
$V_{DD} = 1.65$  to  $3.6$  V;  $T_A = -40$  to  $+85^\circ\text{C}$ ,  $CL \leq 30$  pF

Symbol	Parameter	Min	Max	Unit
$T_{CHCH}$	Clock Period		325.5 <sup>(1)</sup>	ns
$T_{CHCX}$	Clock High Time	30		ns
$T_{CLCX}$	Clock Low Time	30		ns
$T_{CLCH}$	Clock Rise Time		10	ns
$T_{CHCL}$	Clock Fall Time		10	ns
$T_{CLSV}$	Clock Low to Select Valid		10	ns
$T_{CLOV}$	Clock Low to Data Valid		10	ns

Note: 1. 32-bit format with  $F_s = 48$  KHz.

### Waveforms

**Figure 149.** Audio Interface Waveforms



## External Clock Interface

### Definition of symbols

**Table 274.** External Clock Timing Symbol Definitions

Signals	
C	Clock

Conditions	
H	High
L	Low
X	No Longer Valid

Timings

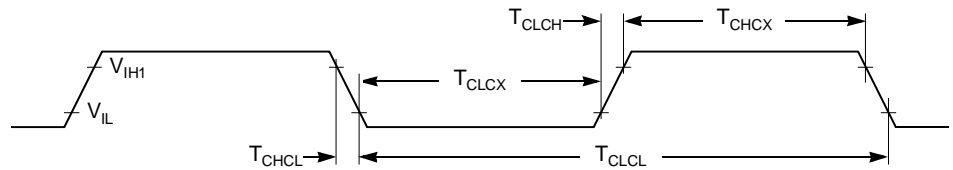
**Table 275.** External Clock AC Timings

$V_{DD} = 1.65$  to  $3.6$  V;  $T_A = -40$  to  $+85^\circ\text{C}$

Symbol	Parameter	Min	Max	Unit
$T_{CLCL}$	Clock Period	38		ns
$T_{CHCX}$	High Time	10		ns
$T_{CLCX}$	Low Time	10		ns
$T_{CLCH}$	Rise Time	3		ns
$T_{CHCL}$	Fall Time	3		ns
$T_{CR}$	Cyclic Ratio in X2 mode	40	60	%

Waveforms

**Figure 150.** External Clock Waveform



## Ordering Information

**Table 280.** Ordering Information

Part Number	Temp. Range	Package	Packing	Product Marking
85C51SND3B1n <sup>(1)</sup> -RTTUL	Industrial & Green	LQFP100	Tray	85C51SND3B1n <sup>(1)</sup> -UL
85C51SND3B1n <sup>(1)</sup> -7FTUL	Industrial & Green	CTBGA100 <sup>(2)</sup>	Tray	85C51SND3B1n <sup>(1)</sup> -UL
85C51SND3B2n <sup>(1)</sup> -RTTUL	Industrial & Green	LQFP100	Tray	85C51SND3B2n <sup>(1)</sup> -UL
85C51SND3B2n <sup>(1)</sup> -7FTUL	Industrial & Green	CTBGA100 <sup>(2)</sup>	Tray	85C51SND3B2n <sup>(1)</sup> -UL
85C51SND3B3n <sup>(1)</sup> -RTTUL	Industrial & Green	LQFP100	Tray	85C51SND3B3n <sup>(1)</sup> -UL
85C51SND3B3n <sup>(1)</sup> -7FTUL	Industrial & Green	CTBGA100 <sup>(2)</sup>	Tray	85C51SND3B3n <sup>(1)</sup> -UL

Notes: 1. Codec option, see Table 281 below.  
2. Contact sales office for availability.

**Table 281.** Part Number Codec Option

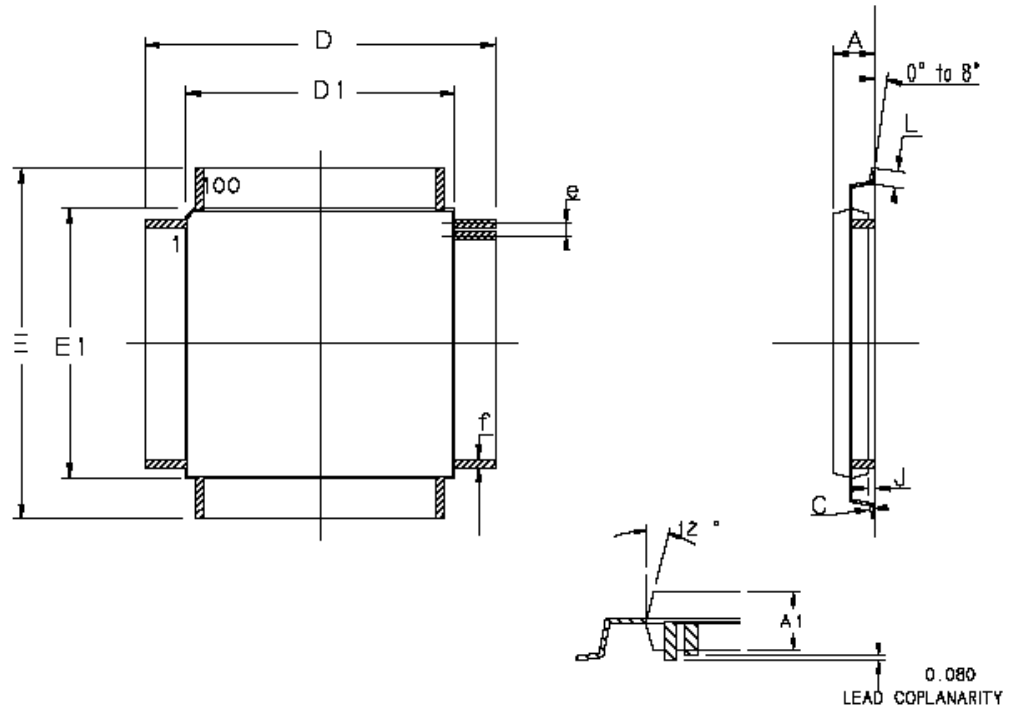
Part Number	MP3	WMA
85C51SND3Bx00	No	No
85C51SND3Bx01	Yes	No
85C51SND3Bx02	No	Yes
85C51SND3Bx03	Yes	Yes

**Table 282.** Part Number Information

Part Number	1.8V DC-DC	Audio Codec
85C51SND3B1	No	No
85C51SND3B2	No	Yes
85C51SND3B3	Yes	Yes

# Package Information

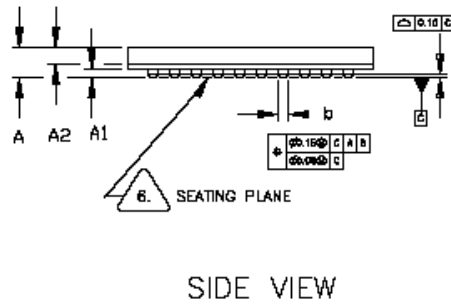
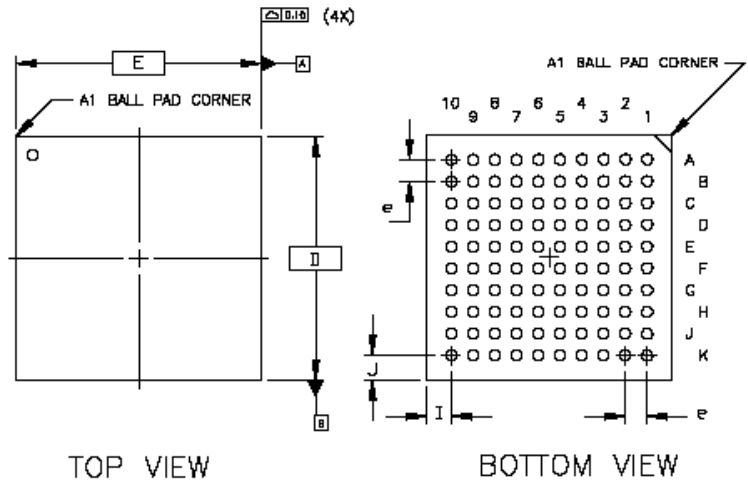
## LQFP 100



	MM		INCH	
	Min	Max	Min	Max
A	1.40	1.60	.055	.063
A1	1.35	1.45	.053	.057
C	0.17 BSC		.007 BSC	
D	15.80	16.20	.622	.638
D1	13.90	14.10	.547	.555
E	15.80	16.20	.622	.638
E1	13.90	14.10	.547	.555
J	0.05	0.15	.002	.006
L	0.45	0.75	.018	.030
e	0.50 BSC		.0197 BSC	
f	0.22 BSC		.009 BSC	



## CTBGA 100



	mm		
	MIN	NOM	MAX
A	1.00	1.10	1.20
A1	0.25	0.30	0.35
A2	0.55	0.60	0.65
e	0.80 BSC		
b	0.40 TYP		
E/D	8.95	9.00	9.05
I/J	0.90 REF		

## Table of Contents

<b>Features .....</b>	<b>1</b>
<b>Description .....</b>	<b>2</b>
<b>Key Features .....</b>	<b>2</b>
<b>Block Diagram .....</b>	<b>3</b>
<b>Application Information .....</b>	<b>4</b>
Very Low Voltage 1.8V System .....	4
Low Voltage 3V System.....	5
<b>Pin Description .....</b>	<b>6</b>
Pinouts.....	6
Signals Description .....	7
Internal Pin Structure .....	15
<b>Power Management .....</b>	<b>18</b>
Power Supply.....	18
Power Reduction Mode .....	20
Reset .....	23
Registers.....	25
<b>Clock Controller .....</b>	<b>27</b>
Oscillator.....	27
Clock Generator.....	28
System Clock Generator.....	29
DFC/NFC Clock Generator.....	30
MMC Clock Generator .....	31
SIO Clock Generator .....	32
Registers.....	33
<b>Special Function Registers .....</b>	<b>36</b>
SFR Pagination.....	36
SFR Registers .....	37
<b>Memory Space .....</b>	<b>49</b>
Memory Segments.....	49
Memory Configuration .....	50
Registers.....	51
<b>Interrupt System .....</b>	<b>55</b>
Interrupt System Priorities .....	55
External Interrupts .....	58

Registers.....	59
<b>Timers/Counters .....</b>	<b>65</b>
Timer/Counter Operations .....	65
Timer Clock Controller .....	65
Timer 0.....	66
Timer 1.....	69
Interrupt .....	70
Registers.....	71
<b>Watchdog Timer .....</b>	<b>75</b>
Description.....	75
Clock Controller .....	75
Operation .....	76
Registers.....	77
<b>Data Flow Controller .....</b>	<b>78</b>
CPU Interface .....	78
Clock Unit .....	78
Data Flow Descriptor .....	78
CRC Processor.....	79
Null Device.....	79
Channel Priority .....	80
Data Flow Status .....	80
Data Flow Abort.....	80
Data Flow Configuration .....	81
Interrupts.....	81
Registers.....	82
<b>USB Controller.....</b>	<b>85</b>
Description.....	85
General Operating Modes .....	86
Interrupts.....	87
Power modes.....	88
Speed Control.....	89
Memory Access Capability .....	89
Memory Management.....	90
PAD suspend.....	91
OTG Timers Customizing .....	92
Plug-in detection.....	92
ID Detection .....	94
Registers.....	94
USB Software Operating modes.....	100
<b>USB Device Operating modes.....</b>	<b>101</b>
Introduction .....	101

Power-On and Reset .....	101
Speed Identification .....	101
Endpoint Reset .....	102
USB Reset .....	102
Endpoint Selection .....	102
Endpoint Activation .....	103
Address Setup .....	103
Suspend, Wake-Up and Resume .....	104
Detach .....	104
Remote Wake-Up .....	105
STALL Request .....	105
CONTROL Endpoint Management .....	106
OUT Endpoint Management .....	107
IN Endpoint Management .....	109
Isochronous Mode .....	112
Overflow .....	112
Interrupts .....	113
Registers .....	115
<b>USB Host Operating Modes .....</b>	<b>127</b>
Pipe Description .....	127
Detach .....	127
Power-on and Reset .....	127
Device Detection .....	128
Pipe Selection .....	128
Pipe Configuration .....	129
USB Reset .....	130
Address Setup .....	130
Remote Wake-Up Detection .....	130
USB Pipe Reset .....	130
Pipe Data Access .....	130
Control Pipe Management .....	130
OUT Pipe Management .....	131
IN Pipe management .....	133
Interrupt .....	134
Registers .....	136
<b>Audio Controller .....</b>	<b>149</b>
Clock Generator .....	149
Audio Processor .....	149
Audio Codec .....	154
Audio DAC Interface .....	156
Registers .....	158
<b>Nand Flash Controller .....</b>	<b>168</b>
Functional overview .....	168

Clock Unit .....	169
Control Unit.....	169
Data Unit.....	176
End of Data Transfer .....	179
Security Unit .....	179
Card Unit.....	182
Interrupt Unit.....	183
Registers.....	184
<b>MMC/SD Controller.....</b>	<b>191</b>
Clock Generator.....	191
Command Line Controller.....	191
Data Line Controller.....	194
Card Management.....	200
Interrupt .....	201
Registers.....	202
<b>Parallel Slave Interface .....</b>	<b>207</b>
Description.....	207
Interrupts.....	210
Registers.....	211
<b>Serial I/O Port.....</b>	<b>213</b>
Description.....	213
Baud Rate Generator.....	215
Receiver.....	217
Transmitter.....	218
Interrupts.....	218
Registers.....	219
<b>Serial Peripheral Interface .....</b>	<b>223</b>
Description.....	224
Interrupt .....	230
Registers.....	230
<b>Display Interface.....</b>	<b>233</b>
Configuration .....	233
Registers.....	236
<b>Keyboard Interface.....</b>	<b>239</b>
Description.....	239
Registers.....	240
<b>Electrical Characteristics .....</b>	<b>241</b>
Absolute Maximum Rating.....	241
DC Characteristics.....	241

AC Characteristics ..... 246

**Ordering Information..... 253**

**Package Information ..... 254**

    LQFP 100 ..... 254

    CTBGA 100 ..... 255



## Atmel Corporation

2325 Orchard Parkway  
San Jose, CA 95131, USA  
Tel: 1(408) 441-0311  
Fax: 1(408) 487-2600

## Regional Headquarters

### Europe

Atmel Sarl  
Route des Arsenaux 41  
Case Postale 80  
CH-1705 Fribourg  
Switzerland  
Tel: (41) 26-426-5555  
Fax: (41) 26-426-5500

### Asia

Room 1219  
Chinachem Golden Plaza  
77 Mody Road Tsimshatsui  
East Kowloon  
Hong Kong  
Tel: (852) 2721-9778  
Fax: (852) 2722-1369

### Japan

9F, Tonetsu Shinkawa Bldg.  
1-24-8 Shinkawa  
Chuo-ku, Tokyo 104-0033  
Japan  
Tel: (81) 3-3523-3551  
Fax: (81) 3-3523-7581

## Atmel Operations

### Memory

2325 Orchard Parkway  
San Jose, CA 95131, USA  
Tel: 1(408) 441-0311  
Fax: 1(408) 436-4314

### Microcontrollers

2325 Orchard Parkway  
San Jose, CA 95131, USA  
Tel: 1(408) 441-0311  
Fax: 1(408) 436-4314

La Chantrerie  
BP 70602  
44306 Nantes Cedex 3, France  
Tel: (33) 2-40-18-18-18  
Fax: (33) 2-40-18-19-60

### ASIC/ASSP/Smart Cards

Zone Industrielle  
13106 Rousset Cedex, France  
Tel: (33) 4-42-53-60-00  
Fax: (33) 4-42-53-60-01

1150 East Cheyenne Mtn. Blvd.  
Colorado Springs, CO 80906, USA  
Tel: 1(719) 576-3300  
Fax: 1(719) 540-1759

Scottish Enterprise Technology Park  
Maxwell Building  
East Kilbride G75 0QR, Scotland  
Tel: (44) 1355-803-000  
Fax: (44) 1355-242-743

### RF/Automotive

Theresienstrasse 2  
Postfach 3535  
74025 Heilbronn, Germany  
Tel: (49) 71-31-67-0  
Fax: (49) 71-31-67-2340

1150 East Cheyenne Mtn. Blvd.  
Colorado Springs, CO 80906, USA  
Tel: 1(719) 576-3300  
Fax: 1(719) 540-1759

### Biometrics/Imaging/Hi-Rel MPU/ High Speed Converters/RF Datacom

Avenue de Rochepleine  
BP 123  
38521 Saint-Egreve Cedex, France  
Tel: (33) 4-76-58-30-00  
Fax: (33) 4-76-58-34-80

---

## Literature Requests

[www.atmel.com/literature](http://www.atmel.com/literature)

**Disclaimer:** The information in this document is provided in connection with Atmel products. No license, express or implied, by estoppel or otherwise, to any intellectual property right is granted by this document or in connection with the sale of Atmel products. **EXCEPT AS SET FORTH IN ATMEL'S TERMS AND CONDITIONS OF SALE LOCATED ON ATMEL'S WEB SITE, ATMEL ASSUMES NO LIABILITY WHATSOEVER AND DISCLAIMS ANY EXPRESS, IMPLIED OR STATUTORY WARRANTY RELATING TO ITS PRODUCTS INCLUDING, BUT NOT LIMITED TO, THE IMPLIED WARRANTY OF MERCHANTABILITY, FITNESS FOR A PARTICULAR PURPOSE, OR NON-INFRINGEMENT. IN NO EVENT SHALL ATMEL BE LIABLE FOR ANY DIRECT, INDIRECT, CONSEQUENTIAL, PUNITIVE, SPECIAL OR INCIDENTAL DAMAGES (INCLUDING, WITHOUT LIMITATION, DAMAGES FOR LOSS OF PROFITS, BUSINESS INTERRUPTION, OR LOSS OF INFORMATION) ARISING OUT OF THE USE OR INABILITY TO USE THIS DOCUMENT, EVEN IF ATMEL HAS BEEN ADVISED OF THE POSSIBILITY OF SUCH DAMAGES.** Atmel makes no representations or warranties with respect to the accuracy or completeness of the contents of this document and reserves the right to make changes to specifications and product descriptions at any time without notice. Atmel does not make any commitment to update the information contained herein. Unless specifically provided otherwise, Atmel products are not suitable for, and shall not be used in, automotive applications. Atmel's products are not intended, authorized, or warranted for use as components in applications intended to support or sustain life.

© Atmel Corporation 2006. All rights reserved. Atmel®, logo and combinations thereof, are registered trademarks, and Everywhere You Are® are the trademarks of Atmel Corporation or its subsidiaries. Other terms and product names may be trademarks of others.



Printed on recycled paper.