

### DESCRIPTION

The 73M2901CL is a single-chip modem that combines all the controller (DTE) and data pump functions necessary to implement an intelligent V.22bis data modem.

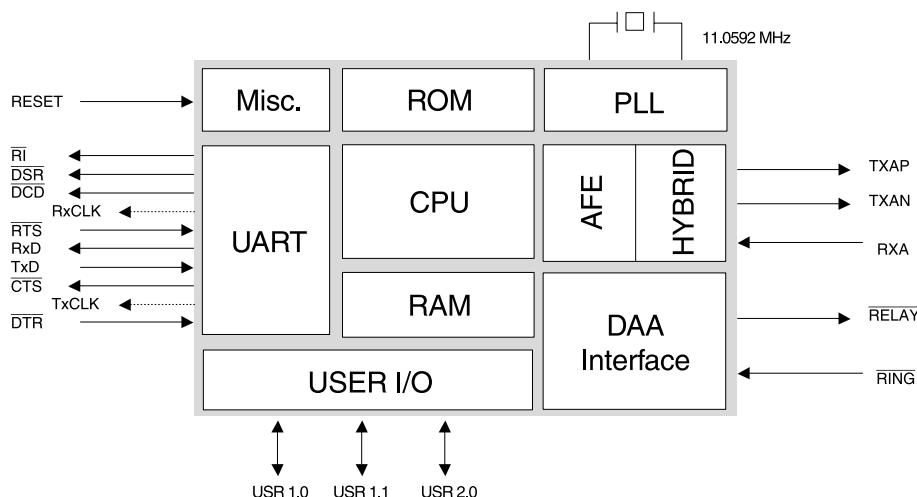
It is adequately suited for embedded applications where a data return channel is needed through the telephone network such as Set top Box, Point of Sale Terminal, Automatic Teller machine, Hand Held Communication Device and Smart Card Reader.

This device is based on TDK Semiconductor's implementation of the industry standard 8032 microcontroller core with a proprietary Multiply/ACcumulate (MAC) coprocessor; Sigma-Delta A/D and D/A converters (CODEC); and an analog DAA drivers. The ROM and RAM necessary to operate the modem are contained on the device. Additionally, the 73M2901CL provides an on-chip oscillator and hybrid.

### FEATURES

- True one chip solution for embedded systems
- Low power  
*As low as 9.5mA operating with standby and power down mode available*
- Power supply operation from 3.6V to 2.7V
- Data speed:  
*V.22bis – 2400bps*  
*V.22/Bell212 – 1200bps*  
*V.21/Bell103 – 300bps*  
*V.23 – 1200/75bps (with PAVI turnaround)*  
*Bell202 – 1200bps*  
*Bell202/V23 4-wire operations*
- International Call Progress support  
*FCC68, CTR21, JATE, etc.*
- Worldwide Caller ID capability  
*Type I and II support*  
*EIA 716 compliant*
- DTMF generation and detection
- On chip hybrid driver
- Blacklisting capability
- Line-In-Use and Parallel Pick-Up (911) detection capability
- Manufacturing Self Test capability
- Packaging:  
*32 pin PLCC / 32 pin TQFP / 44 pin LQFP*

### BLOCK DIAGRAM



# 73M2901CL

## V.22bis Single Chip Modem

---

### HARDWARE DESCRIPTION

The 73M2901CL is designed to operate from a +3.6 to +2.7 volt supply with low power consumption (~30mW @ 3.0 volts). The modem supports automatic standby idle mode. The modem will also accept a request to power down from the DTE via hardware control. No additional major components are required to complete the modem core logic. The modem provides direct firmware LED support via port pins.

### HARDWARE FEATURES

- Fully self-contained. "AT" Command interpreter and data pump
- User pins available
- Synchronous serial data I/O available
- Asynchronous serial port
- On-chip hybrid and line driver.
- Autobaud capability from 300bps to 9600bps

### POWER SUPPLY

Power is supplied to the 73M2901CL via the VPD and VPA pins. The 73M2901CL is designed for a single +3.6 to +2.7 volt supply and for low power consumption (~30mW @ 3.0 volts). Ground is supplied to the 73M2901CL via VND and VNA pins.

The 73M2901CL has been designed with separated analog and digital supplies to insure the best performance of the part by using different filtered power supplies. It is recommended that separate locally bypassed traces be used to apply power to the analog supply VPA and the digital supply VPD.

### LOW POWER MODE

The TDK 73M2901CL supports a low power standby mode. If the low power standby option is enabled the 73M2901CL will go into a power saving mode when idle. The oscillator will be running, clocks will be supplied to the UART, timers and interrupt blocks;

but no clocks will be supplied to the CPU. Instruction processing and activity on the internal busses is halted. Normal operation is resumed when an interruption such as assertion of  $\overline{DTR}$  or  $\overline{RING}$ , a character is sent to the 73M2901CL TXD input, or a reset occurs.

### ANALOG LINE / HYBRID INTERFACE

The 73M2901CL provides a differential analog output (TXAP and TXAN) and a single-ended analog input (RXA) with internal A/D and D/A converters. A driver is provided for an internal hybrid function.

The internal hybrid driver is capable of driving an external load matching impedance and a line-coupling transformer. The internal hybrid/line driver senses the load and adapts itself to its requirements.

The 73M2901CL provides firmware control for a hook relay driver ( $\overline{RELAY}$ ) as well as interrupt support for a ring detect opto-coupler ( $\overline{RING}$ ).

### INTERRUPT PINS

The external interrupt sources,  $\overline{DTR}$  and  $\overline{RING}$ , come from dedicated input pins of the same name.

DTR informs the 73M2901CL that the host has requested the 73M2901CL perform a specific function. The function of  $\overline{DTR}$  can be changed by "AT" commands (described in full in the TDK 73M2901CL User's Guide).

RING is used to inform the 73M2901CL that the external DAA circuitry has detected a ring signal.

In addition, sending any character on the TXD line also generates an internal interrupt.

### CRYSTAL OSCILLATOR

The TDK 73M2901CL single chip modem can use an external 11.0592 MHz reference clock or can generate a clock using only a crystal and two capacitors. If an external clock is used, it should be applied to OSCIN.

# 73M2901CL

## V.22bis Single Chip Modem

### SPECIFYING A CRYSTAL

The manufacturer of a crystal resonator verifies its frequency of oscillation in a test set-up, but to ensure that the same frequency is obtained in the application, the circuit conditions must be the same. The TDK 73M2901CL modem requires a parallel mode (anti-resonant) crystal, the important specifications of which are as follows:

Mode: Parallel (anti-resonant)  
 Frequency: 11.0592 MHz  
 Frequency tolerance: ±50 ppm at initial temperature.

Temperature drift:  
 An additional ±50 ppm over full range.

Load capacitance: 18pF or 20pF  
 ESR: 75Ω max.  
 Drive level: Less than 1mW.

The peak voltage level of the oscillator should be checked to assure it will not violate the maximum voltage levels allowed on the oscillator pins. A resistor in series with the crystal can be used, if necessary, to reduce the oscillator's peak voltage levels.

### PIN DESCRIPTIONS

#### POWER PIN DESCRIPTION

PIN NAME	32 pin PLCC	32 pin TQFP	44 pin LQFP	TYPE	DESCRIPTION
VPA	15	10	16	I	Positive analog voltage (Analog supply)
VNA	21	16	22	I	Negative analog voltage (Analog ground)
VPD	6, 25, 29	2, 20, 25	2, 12, 27, 33	I	Positive digital voltage (Digital supply)
VND	5, 22, 26	1, 17, 22	11, 24, 44, 28	I	Negative digital voltage (Digital ground)

#### ANALOG INTERFACE PIN DESCRIPTION

PIN NAME	32 pin PLCC	32 pin TQFP	44 pin LQFP	TYPE	DESCRIPTION
RXA	20	15	21	I	Receive Analog input
TXAN	16	11	17	O	Transmit Analog - output
TXAP	17	12	18	O	Transmit Analog + output
VBG	19	14	20	O	Analog Band Gap voltage reference (0.1μF to VNA). This pin must not be connected to external circuitry other than the decoupling capacitor.
VREF	18	13	19	O	Analog reference voltage (0.1μF to VNA)

Crystals with low ESRs may oscillate at higher than specified voltage levels.

### RESET

A reset is accomplished by holding the RESET pin high. To ensure a proper power-on reset, the reset pin must be held high for a minimum of 3μs. At power on, the voltage at VPD, VPA, and RESET must come up at the same time for a proper reset. The signals DCD, CTS and DSR will be held inactive for 25ms, acknowledging the reset operation, within a 250ms time window after the reset-triggering event. The 73M2901CL is ready for operation after that 250ms window and/or after the signals  $\overline{DCD}$ ,  $\overline{CTS}$  and  $\overline{DSR}$  become active.

### ASYNCHRONOUS AND SYNCHRONOUS SERIAL DATA INTERFACE

The serial data interface consists of the TXD and RXD data paths (LSB shifted in and out first, respectively); and the TXCLK and RXCLK serial clock outputs associated with the data pins;  $\overline{CTS}/\overline{RTS}$  flow control;  $\overline{DCD}$ ,  $\overline{DSR}$  and  $\overline{DTR}$ . In synchronous mode, the data is passed at the bit rate (tolerance is +1%, -2.5%).

# 73M2901CL

## V.22bis Single Chip Modem

### DIGITAL INTERFACE PIN DESCRIPTION

PIN NAME	32 pin PLCC	32 pin TQFP	44 pin LQFP	TYPE	DESCRIPTION
RESET	13	9	9	I	Reset
RXCLK	31	27	36	O	Receive data synchronous clock
TXCLK	28	24	31	O	Transmit data synchronous clock
TXD	27	23	30	I	Serial data input from DTE
RXD	30	26	35	O	Serial output to DTE
USR10	12	8	8	I/O	Programmable I/O port. This pin optionally be used to control an external switch for external Line In Use circuitry.
USR11	11	7	7	I/O	Programmable I/O port. This pin can optionally be used to control an external switch for caller ID operation.
$\overline{\text{RTS}}$	10	6	6	I	Request to send
$\overline{\text{CTS}}$	9	5	5	O	Clear to send
$\overline{\text{DSR}}$	8	4	4	O	Data set ready
$\overline{\text{DCD}}$	7	3	3	O	Data carrier detect
$\overline{\text{RI}}$	4	32	43	O	Ring indicator
RELAY	3	31	40	O	Relay driver output
USR20	1	29	38	I/O	Programmable I/O port

### EXTERNAL INTERRUPTS PIN DESCRIPTION

PIN NAME	32 pin PLCC	32 pin TQFP	44 pin LQFP	TYPE	DESCRIPTION
$\overline{\text{RING}}$	2	30	39	I	External interrupt – Line interface ring detection circuitry input
$\overline{\text{DTR}}$	32	28	37	I	External interrupt – DTE DTR signal input

### OSCILLATOR PIN DESCRIPTION

PIN NAME	32 pin PLCC	32 pin TQFP	44 pin LQFP	TYPE	DESCRIPTION
OSCIN	24	19	26	I	Crystal input for internal oscillator, also input for external source
OSCOUT	23	18	25	O	Crystal oscillator output

# 73M2901CL

## V.22bis Single Chip Modem

### ELECTRICAL SPECIFICATIONS

#### ABSOLUTE MAXIMUM RATINGS

PARAMETER	RATING
Supply Voltage	-0.5V to +4.0V
Pin Input Voltage (except OSCIN)	-0.5V to + 6.0V
Pin Input Voltage (OSCIN)	-0.5V to VPD + 0.5V
Storage Temperature	-55°C to 150°C

NOTE: This is a stress rating only and functional operation of the device at these or any other conditions above those indicated in the operation sections of this specification is not implied. Exposure to absolute maximum conditions for extended periods of time may affect reliability.

#### RECOMMENDED OPERATING CONDITIONS

PARAMETER	RATING
Supply Voltage	2.7V – 3.6V
Oscillator Frequency	11.0592MHz +/- 50ppm
Operating Temperature	-40°C to 85°C

#### RECEIVER

PARAMETER	CONDITIONS	MIN	NOM	MAX	UNIT
Carrier detect On	Tip and Ring	-43			dBm0 <sup>*</sup>
Carrier detect Off	Tip and Ring	-48			dBm0 <sup>*</sup>
Carrier Detect Hysteresis	Tip and Ring		2		dB
Receive Level	Tip and Ring	-43		-9	dBm0 <sup>*</sup>
Idle channel noise	0.2KHz – 4.0KHz		-70	-65	dB
Input impedance	RXA	150			kΩ
Receive Gain Boost	SFR 96.2h = 1	18.8	19.3	19.8	dB
Max Input Level at RxA	Vref=1.25V	0.587	0.622	0.658	Vpk
Total Harmonic Distortion (THD)	1KHz 450mVpk on RXA THD=2 <sup>nd</sup> and 3 <sup>rd</sup> harmonic		-70	-50	dB

<sup>\*</sup> dBm0 refers to the TDK recommended line interface (8dB loss from transmit pins to the line and 5dB loss from the line to the receiver pin). Results may vary depending on the selected DAA components. 0dBm=0.775mV<sub>rms</sub>; dBm=10log(V<sub>rms</sub><sup>2</sup>/(1mW)(600Ω))

# 73M2901CL

## V.22bis Single Chip Modem

### TRANSMITTER

PARAMETER	CONDITIONS	MIN	NOM	MAX	UNIT
ITU Guard tone power	550Hz (relative to carrier)	-5	-3.5	-2	dB
	1800Hz (relative to carrier)	-8	-6.5	-5	dB
Calling Tone	1300Hz	-11	-10	-9	dBm0 <sup>*</sup>
Answer Tone power	2225Hz/2100Hz	-11	-10	-9	dBm0 <sup>*</sup>
DTMF Transmit power	High band tones	-12	-11.5	-11	dBm0 <sup>*</sup>
	Low band tones	-13.7	-13.2	-12.7	dBm0 <sup>*</sup>
Gain adjust tolerance	By step	-0.3	0	0.3	dBm0 <sup>*</sup>
Total Harmonic Distortion (THD)	1KHz sine wave at output (TXAP-TXAN) 1.5Vpk(2.7dBm) for Vref=1.25V THD=2 <sup>nd</sup> and 3 <sup>rd</sup> harmonic			-50	dB
Intermod Distortion	At output (TXAP-TXAN) 1KHz, 1.2KHz sine waves summed 2Vpk for Vref=1.25V	Each unwanted frequency component		-33	dBm
		Sum of unwanted frequency components in pass band		-20	dB below low tone
Power supply rejection ratio	-30dBm signal at VPA 300Hz-30KHz. Measured TXAP to TXAN			30	dB

### MAXIMUM TRANSMIT LEVEL

PARAMETER	CONDITIONS	MIN	NOM	MAX	UNIT
QAM	Vref=1.25V VPA=3.3V			-9.6	dBm0 <sup>*</sup>
DPSK	Vref=1.25V VPA=3.3V			-7.4	dBm0 <sup>*</sup>
FSK	Vref=1.25V VPA=3.3V			-5.3	dBm0 <sup>*</sup>
DTMF (HIGH TONE)	Vref=1.25V S13=\$20, VPA=3.3V S85=80	-8		-7	dBm0 <sup>*</sup>
DTMF (LOW TONE)	Vref=1.25V S13=\$20, VPA=3.3V S85=80	-9.7		-8.7	dBm0 <sup>*</sup>

<sup>\*</sup> dBm0 refers to the TDK recommended line interface (8.5dB loss from transmit pins to the line and 3.5dB loss from the line to the receiver pin). Results may vary depending on the selected DAA components. 0dBm=0.775mV<sub>rms</sub>; dBm=20log(V<sub>rms</sub>/(0.775mV<sub>rms</sub>))

# 73M2901CL

## V.22bis Single Chip Modem

### DC CHARACTERISTICS VCC=3.3V (Vdd stands for VPD and VPA)

PARAMETER	SYMBOL	CONDITIONS	MIN	NOM	MAX	UNIT
Input low voltage (except OSCIN)	VIL		-0.5		0.8	V
Input low voltage OSCIN	VIL		-0.5		0.2Vdd	V
Input high voltage (except OSCIN)	VIH		0.7Vdd		+5.5	V
Input high voltage OSCIN	VIH		0.7Vdd		Vdd+0.5	V
Output low voltage (except OSCOUT)	VOL	IOL=4mA			0.45	V
Output low voltage OSCOUT	VOLOSC	IOL=3mA			0.7	V
Output high voltage (except OSCOUT)	VOH	IOH=-4mA	Vdd-0.45			V
Output high voltage OSCOUT	VOHOSC	IOH=-3mA	Vdd-0.9			V
Input leakage current (except OSCIN)	I <sub>IH</sub>	V <sub>ss</sub> <V <sub>in</sub> <V <sub>dd</sub>			1	μA
Input leakage current OSCIN	I <sub>IH</sub>	V <sub>ss</sub> <V <sub>in</sub> <V <sub>dd</sub>	1		30	μA

PARAMETER	CONDITIONS	MIN	NOM	MAX	UNIT
VBG	Vdd=3.3V	1.19	1.25	1.31	V
VREF	Vdd=3.3V	1.19	1.25	1.31	V
TXAP to TXAN offset	Vdd=3.3V, steady state			50	mV

### DC SUPPLY CURRENT VDD = 2.7V (BATTERY EOL)

PARAMETER	SYMBOL	CONDITIONS	MIN	NOM	MAX	UNIT
Maximum Power supply, normal operation	IDD1	30pF/pin		9.5	10.5	mA
Maximum power supply Idle mode	IDD2	30pF/pin		900	1500	μA
Maximum power supply Power down mode	IDD3	30pF/pin			10	μA

### DC SUPPLY CURRENT VDD = 3.0V

PARAMETER	SYMBOL	CONDITIONS	MIN	NOM	MAX	UNIT
Maximum Power supply, normal operation	IDD1	30pF/pin		10.6	11.9	mA
Maximum power supply Idle mode	IDD2	30pF/pin		1.1	1.7	mA
Maximum power supply Power down mode	IDD3	30pF/pin			10	μA

# 73M2901CL

## V.22bis Single Chip Modem

### DC SUPPLY CURRENT VDD = 3.3V

PARAMETER	SYMBOL	CONDITIONS	MIN	NOM	MAX	UNIT
Maximum Power supply, normal operation	IDD1	30pF/pin		11.8	13.6	mA
Maximum power supply Idle mode	IDD2	30pF/pin		1.25	1.85	mA
Maximum power supply Power down mode	IDD3	30pF/pin			10	μA

### DC SUPPLY CURRENT VDD = 3.6V

PARAMETER	SYMBOL	CONDITIONS	MIN	NOM	MAX	UNIT
Maximum Power supply, normal operation	IDD1	30pF/pin		13.4	15.5	mA
Maximum power supply Idle mode	IDD2	30pF/pin		1.4	2.0	mA
Maximum power supply Power down mode	IDD3	30pF/pin			10	μA



# 73M2901CL

## V.22bis Single Chip Modem

---

### FIRMWARE DESCRIPTION\*

An “AT” command interpreter provides command and configuration of the 73M2901CL. This provides the user a uniform interface to control the modem in embedded applications.

The signal processing is performed to provide data to the DAC and process data from the A/D converter. A MAC hardware coprocessor is provided for computation.

To provide maximum flexibility, the system host processor can access the internal RAM and Control Register space in the modem. This will allow the OEM user to modify parameters such as filter response, transmit levels through the AT command set using proprietary commands. The host processor can also access the modem I/O port pins, providing extended I/O capability.

### FIRMWARE REQUIREMENTS

The modem always powers up in the idle (on hook) mode. “AT” commands are issued via the serial interface from the host. All modem configuration commands are received in this manner. The data modem firmware is contained in an internal ROM. The firmware will automatically enter a power saving idle mode if the modem is on hook and there are no incoming host commands. The modem automatically powers up upon receiving the next command. This power up sequence occurs without delay to the host. This function, while saving power, is transparent to the host processor and can be disabled by the host via an “AT” command. The host can also program the modem to power down via external pin (DTR) or via a firmware command.

### FIRMWARE FEATURES

- “AT” command set
- Supports data standards through V.22bis
- Provides DAA control firmware (e.g. ring detect, hook control)
- Multinational Call progress support (FCC68, CTR21, JATE, etc.)
- Caller ID capability
  - *FSK demodulation (V23 or Bell202)*
  - *DTMF demodulation*
  - *Intra 1st/2nd ring CID data operation*
  - *Post Line reversal CID data operation*
- On hook Line-In-Use detection support (No line seizure will occur when a Line-In-Use condition is detected)
  - *Tip/Ring voltage sensing*
  - *Quiescent line validation*
- Off hook Parallel Pick-Up detection support (Line seizure will be aborted as soon as a Parallel Pick-Up condition is detected)
- Directly interfaces with standard V.24/EIA-232 bus drivers (3.3V inverted level) serial interface using the built in serial port and firmware control of port pins
- Provides tone generation and detection including four imprecise and four precise call progress detect filters with programmable frequency and detection threshold
- Blacklisting capability
- Long Space disconnect
- Inactivity timeout
- Host access to program RAM provided
- User programmable general purpose I/O

\* Refer to the TDK 73M2901CL User Guide for a complete description of the software.

# 73M2901CL

## V.22bis Single Chip Modem

---

TDK Semiconductor's 73M2901CL single chip modem includes all the basic modem functions. Programmable configuration options make this device highly adaptable to a wide variety of applications.

Unlike digital logic circuitry, modem designs must contend with precise frequency tolerances and verify low-level analog signals, to ensure acceptable performance. Using good analog circuit design practices will generally result in a sound design. The crystal oscillator should be held to a 50ppm tolerance. The following recommendations should be taken into consideration when starting new designs.

### LAYOUT CONSIDERATIONS

Good analog/digital design rules must be used to control system noise in order to obtain high performance in modem designs. The more digital circuitry present in the application, the more attention to noise control is needed.

High speed, digital devices should be locally bypassed, and the telephone line interface and the modem should be located next to each other near where the telephone line connection is accessed. It is recommended that power supplies and ground traces should be routed separately to the analog and digital portions on the board. Digital signals should not be routed near low-level or high impedance analog traces.

The 73M2901CL should be considered a high performance analog device. A 10 $\mu$ F electrolytic capacitor in parallel with a 0.1 $\mu$ F Ceramic capacitor should be placed between each VPD and VND pin as well as between VPA and VNA. A 0.1 $\mu$ F ceramic capacitor should be placed between VREF and VNA as well as VBG and VNA. Use of ground planes and large traces on power is recommended.

### 73M2901CL DESIGN COMPATIBILITY

The TDK 73M2901CL is an enhanced version of the TDK 73M2901C and has a number of new features. These parts are highly compatible with the earlier

73M2901 however special attention should be paid when changing an existing 73M2901 design to use the 73M2901CL. From a hardware standpoint, the key differences involve the User I/O pins USR10, USR11, the  $\overline{\text{ASRCH}}$  pin and the HB DEN pin. An additional user I/O pin USR20 replaces the  $\overline{\text{ASRCH}}$  pin on the 73M2901CL. This pin may remain safely connected to TXD as long as the host software does not reconfigure USR20 as an output (S104 bit0=0). The 73M2901CL contains a high efficiency low power hybrid driver. Due to this enhancement HB DEN is no longer required. This pin is an internal no-connect and can safely remain connected to its previous VPD or GND. The functions of USR10 and USR11 are related to Caller ID and Line In Use/Parallel Pickup support.

Software enhancements to the 73M2901CL are typically achieved by the addition of new AT commands. The device can be considered a superset of the 73M2901. When converting a design to the 73M2901CL it is recommended that the user check the commands and register settings for backward compatibility to the earlier parts\*.

### TELEPHONE LINE INTERFACE

Transmit levels at the line are dependent on the interface used between the pins and the line. The internal hybrid line drivers eliminate the need for additional active circuitry to drive the line-coupling transformer. The analog outputs (TXAP and TXAN) can be connected directly to the transformer (with the required impedance matching series resistor or network) however some low cost transformers may be affected by the limited amount of DC current generated by the analog outputs (DC offset); hence it is recommended to use a coupling capacitor with those transformers to insure maximum performance. The line interface circuit shown on the following page represents the basic components and values for interfacing the TDK 73M2901CL analog pins to the telephone line. The values of these components have been calculated to minimize the transmission and reception path hybrid losses and are linked by the following equation:  $R15=0.242 \times R13$ .

\* (refer to the TDK 73M2901CL User Guide for complete details)

# 73M2901CL

## V.22bis Single Chip Modem

### MODEM PERFORMANCE CHARACTERISTICS

The curves presented in this data sheet define modem IC performance under a variety of line conditions typical of those encountered over Public Switched Telephone Network.

#### BER VS. SNR

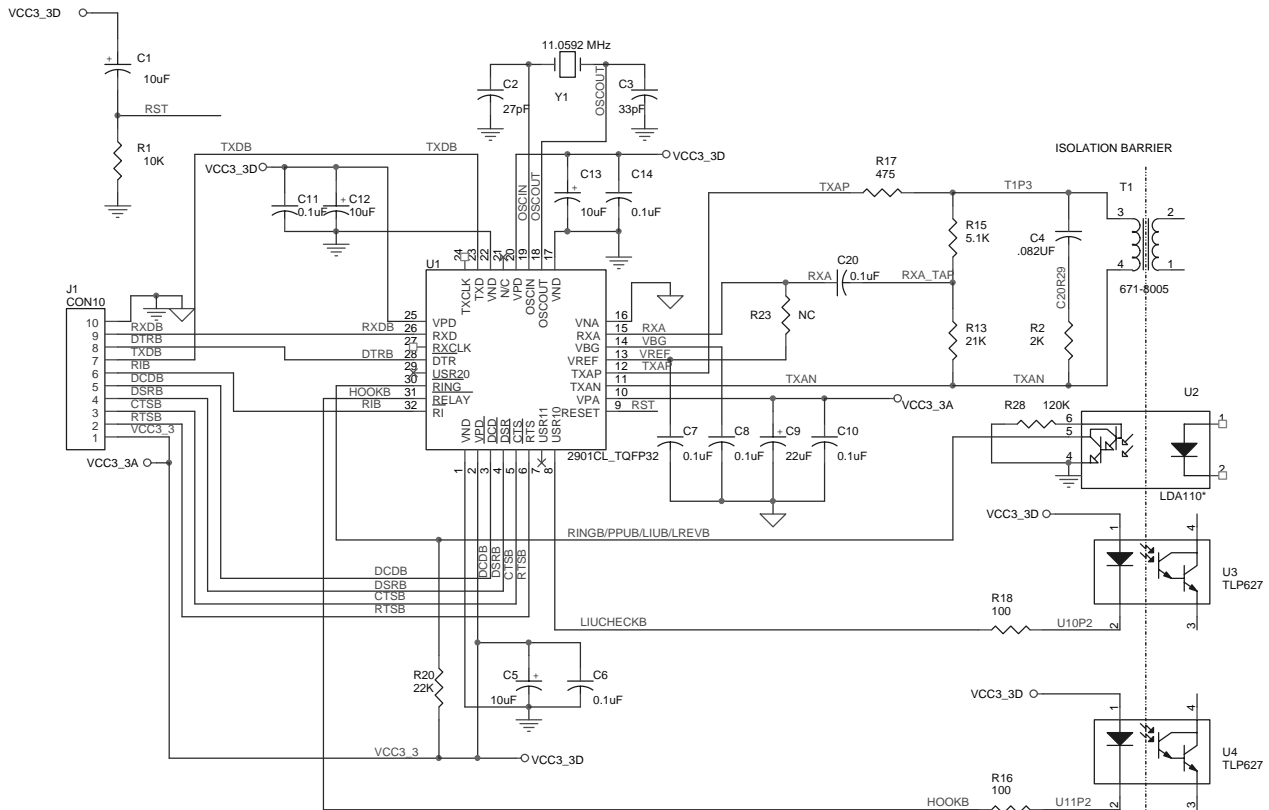
This test represents the ability of the modem to operate over noisy lines with a minimum amount of data transfer errors. Since some noise is generated in the best dial up lines, the modem must operate with the lowest signal to noise ratio (SNR) possible. Better modem performance is indicated by test curves that are closest to the BER axis. A narrow spread between curves representing the four line parameters indicates minimal variation in

performance while operating over a range of typical operating conditions. A DPSK modem will exhibit better BER performance test curves receiving in the low band (answer mode) than in the high band (originate mode).

#### BER VS. RECEIVE LEVEL

This test measures the dynamic range of the modem. Because signal levels vary widely over dial up lines, the widest possible dynamic range is desirable. The SNR is held constant at the indicated values as the Receive level is lowered from a very high to a very low signal level. The width of the bowl of these curves, taken at the BER break points is the measure of the dynamic range.

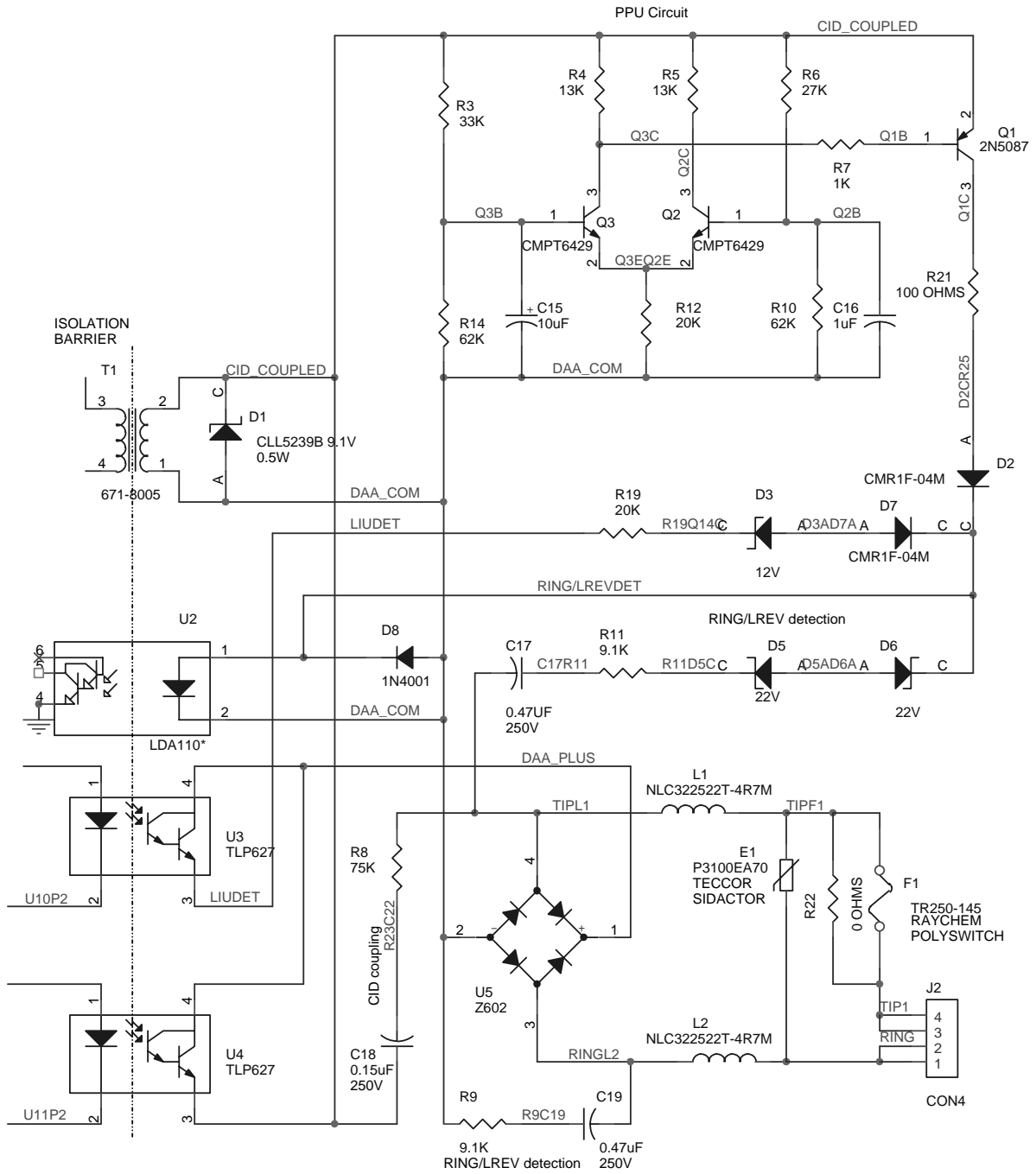
### RECOMMENDED SCHEMATIC ARRANGEMENT



[js1]

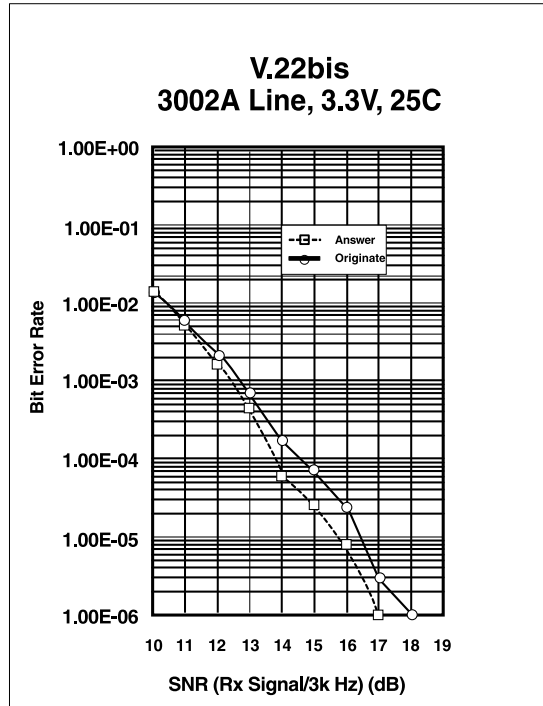
# 73M2901CL V.22bis Single Chip Modem

## TYPICAL USA APPLICATION SCHEMATIC

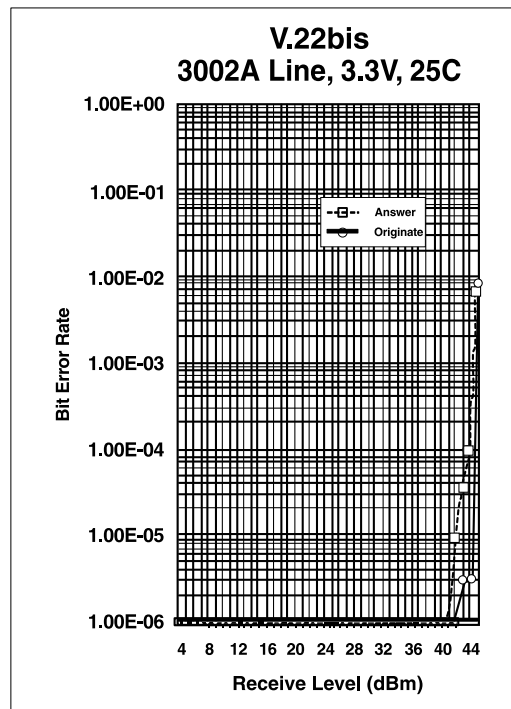


BER CURVES

BER vs. SNR



BER vs. Receive Level



# 73M2901CL

## V.22bis Single Chip Modem

### 32 PIN PLCC PIN-OUT

PIN	NAME	PIN	NAME	PIN	NAME	PIN	NAME
1	USR20	9	$\overline{\text{CTS}}$	17	TXAP	25	VPD
2	$\overline{\text{RING}}$	10	$\overline{\text{RTS}}$	18	VREF	26	VND
3	$\overline{\text{RELAY}}$	11	USR11	19	VBG	27	TXD
4	$\overline{\text{RI}}$	12	USR10	20	RXA	28	TXCLK
5	VND	13	RESET	21	VNA	29	VPD
6	VPD	14	NC	22	VND	30	RXD
7	$\overline{\text{DCD}}$	15	VPA	23	OSCOUT	31	RXCLK
8	$\overline{\text{DSR}}$	16	TXAN	24	OSCIN	32	$\overline{\text{DTR}}$

### 32 PIN TQFP PIN-OUT

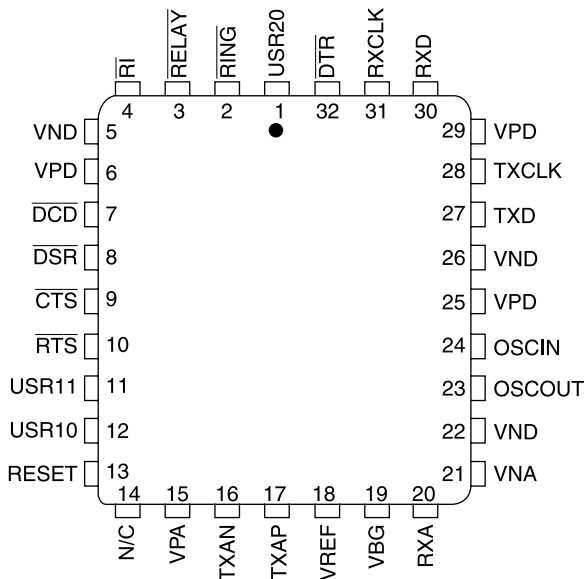
PIN	NAME	PIN	NAME	PIN	NAME	PIN	NAME
1	VND	9	RESET	17	VND	25	VPD
2	VPD	10	VPA	18	OSCOUT	26	RXD
3	$\overline{\text{DCD}}$	11	TXAN	19	OSCIN	27	RXCLK
4	$\overline{\text{DSR}}$	12	TXAP	20	VPD	28	$\overline{\text{DTR}}$
5	$\overline{\text{CTS}}$	13	VREF	21	NC	29	USR20
6	$\overline{\text{RTS}}$	14	VBG	22	VND	30	$\overline{\text{RING}}$
7	USR11	15	RXA	23	TXD	31	$\overline{\text{RELAY}}$
8	USR10	16	VNA	24	TXCLK	32	$\overline{\text{RI}}$

### 44 PIN LQFP PIN-OUT

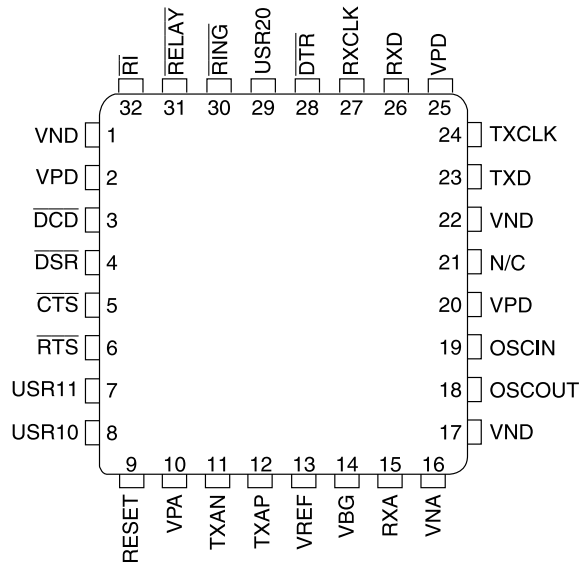
PIN	NAME	PIN	NAME	PIN	NAME	PIN	NAME
1	N/C	12	VPD	23	N/C	34	N/C
2	VPD	13	N/C	24	VND	35	RXD
3	$\overline{\text{DCD}}$	14	N/C	25	OSCOUT	36	RXCLK
4	$\overline{\text{DSR}}$	15	NC	26	OSCIN	37	$\overline{\text{DTR}}$
5	$\overline{\text{CTS}}$	16	VPA	27	VPD	38	USR20
6	$\overline{\text{RTS}}$	17	TXAN	28	VND	39	$\overline{\text{RING}}$
7	USR11	18	TXAP	29	N/C	40	$\overline{\text{RELAY}}$
8	USR10	19	VREF	30	TXD	41	N/C
9	RESET	20	VBG	31	TXCLK	42	N/C
10	N/C	21	RXA	32	N/C	43	$\overline{\text{RI}}$
11	VND	22	VNA	33	VPD	44	VND

# 73M2901CL V.22bis Single Chip Modem

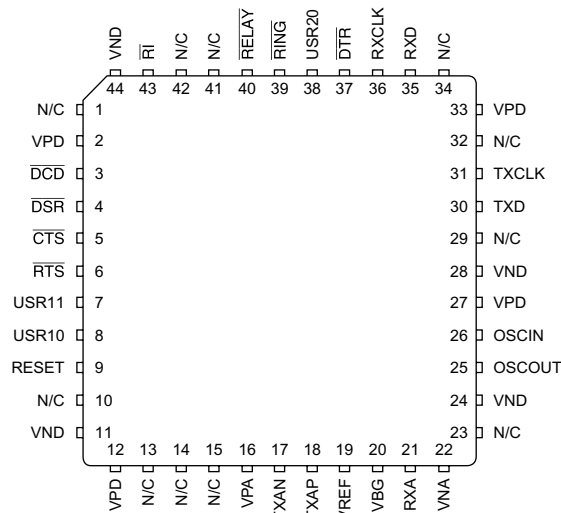
## PACKAGE PIN DESIGNATIONS (Top View)



**32-Lead PLCC  
73M2901CLIH**



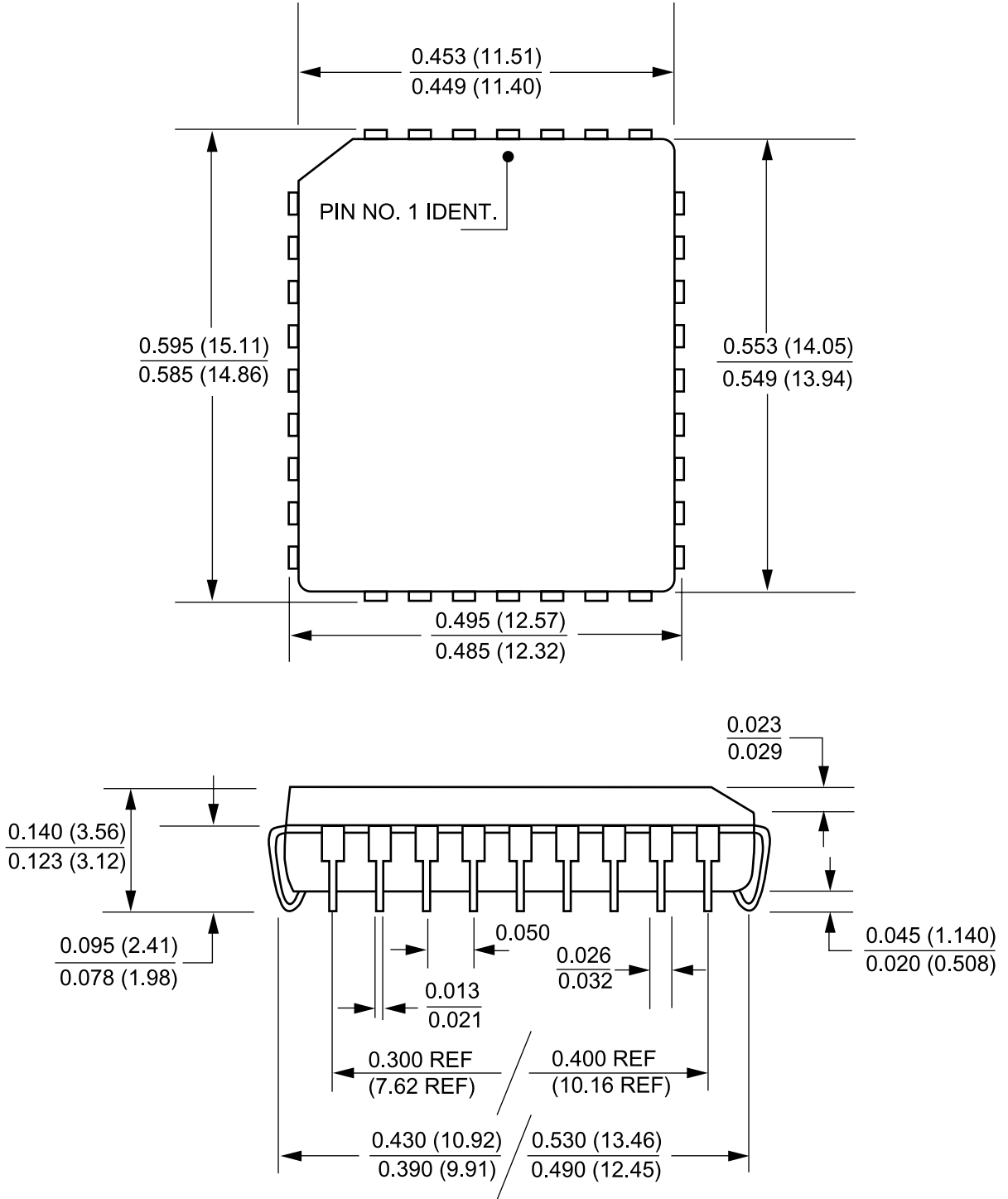
**32-Pin TQFP  
73M2901CLIGV**



**44-Pin LQFP  
73M2901CLIGT**

# 73M2901CL V.22bis Single Chip Modem

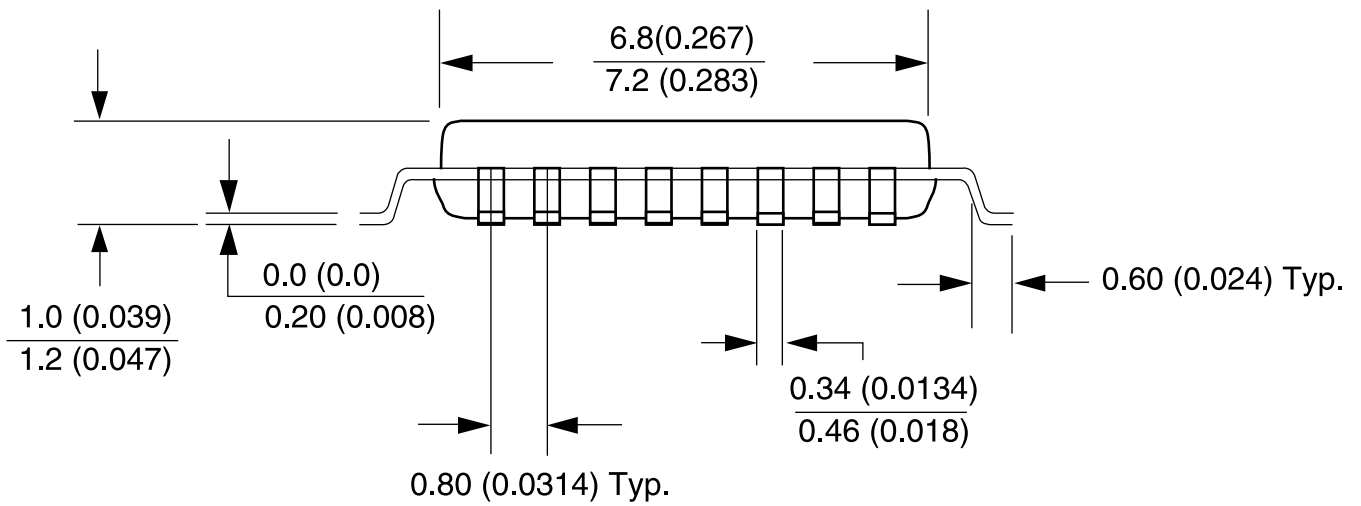
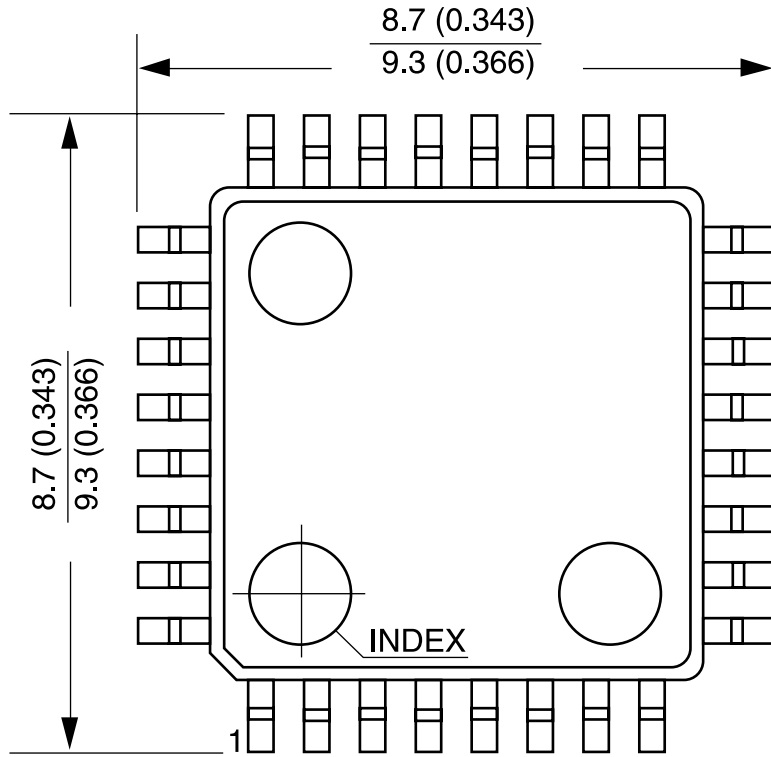
## MECHANICAL DRAWINGS



**32 Pin PLCC  
73M2901CLIH**



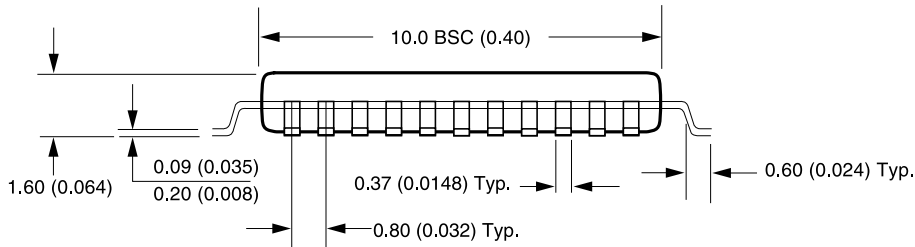
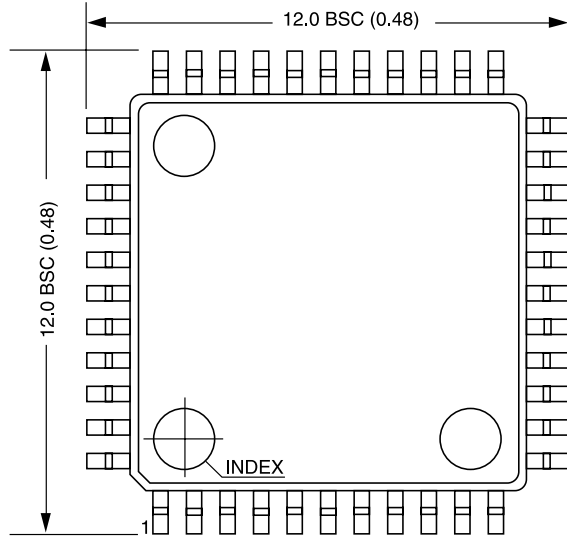
**73M2901CL**  
**V.22bis Single Chip Modem**



**32 Pin TQFP**  
**73M2901CLIGV**

# 73M2901CL

## V.22bis Single Chip Modem



**44 Pin LQFP**  
**73M2901CLIGT**

### ORDERING INFORMATION

PART DESCRIPTION	ORDER NUMBER	PACKAGING MARK
73M2901CL 32-Pin Plastic Leaded Chip Carrier	73M2901CLIH	73M2901CLIH
73M2901CL 32-Pin Thin Quad Flat Pack	73M2901CLIGV	73M2901CLIGV
73M2901CL 44-Pin Quad Flat Pack	73M2901CLIGT	73M2901CLIGT

No responsibility is assumed by TDK Semiconductor Corporation for use of this product nor for any infringements of patents and trademarks or other rights of third parties resulting from its use. No license is granted under any patents, patent rights or trademarks of TDK Semiconductor Corporation and the company reserves the right to make changes in specifications at any time without notice. Accordingly, the reader is cautioned to verify that you are referencing the most current data sheet before placing orders. To do so, see our web site at <http://www.tdksemiconductor.com> or contact your local TDK Semiconductor representative.

TDK Semiconductor Corp., 2642 Michelle Dr., Tustin, CA 92780, (714) 508-8800, FAX (714) 508-8877, <http://www.tdksemiconductor.com>