



LH7A404

User's Guide

2007 August 27



Content Revisions

This document contains the following changes to content, causing it to differ from previous versions. Minor typographical changes, where they do not affect content, are not tracked here.

Record of Revisions

DATE	PAGE NO.	SECTION, TABLE, OR ILLUSTRATION	SUMMARY OF CHANGES
5-17-04	xl	Text	References to pin numbers corrected within text and register tables.
	3-6	Text	
	6-6	Text	
	7-7 – 7-9	Text	
	8-2 – 8-4	Tables 8-1, 8-2, 8-3	
	8-7	Table 8-6	
	8-8	Tables 8-7, 8-8, and text	
	12-8	Table 12-13	
	15-1	Text	
	15-3	Text	
	16-11	Text	
	17-6	Table 17-4	
	17-15	Tables 17-17, 17-18, and text	
	17-16	Text, Table 17-20	
	19-14	Table 19-11	
	22-1	Text	
	23-1	Text	
	24-3	Text	
	24-6	Table 24-4	
	24-7	Table 24-7	
	25-1	Text	
	25-8	Table 25-13	
	26-2 – 26-5	Text	
26-8	Text		
26-45	Table 26-64		
28-7	Text		
Throughout	Text, Tables, Figures	Bootwidth[1:0] changed to Width[1:0] for consistency with LH7A400.	
xxxix	Text	Corrected package listing to 325 pin CABGA.	

Record of Revisions (Cont'd)

DATE	PAGE NO.	SECTION, TABLE, OR ILLUSTRATION	SUMMARY OF CHANGES
5-17-04	1-3	Table 1-1	INTBOOT, pin Y20 added.
	Chapter 3	Text	Minor reorganization.
	4-1	Text	'Reset' clarified to 'rising edge of nPOR'.
	4-4, 4-5	Text, Table 4-3	Clarified 'logging' during boot to 'logged into the Boot Status memory area'. Also added 'Contents' column to Table 4-3.
	9-2	Text, Table 9-1	Corrected to state that both VIC1 and VIC2 FIQ interrupts have equal priority.
	9-9	Table 9-5	Bit 6, CODECIN description clarified.
	9-40	Tables 9-49, 9-50, and text	Description of ITOP2 register added.
	11-4	Figure 11-3	LCDCLKIN added to Panel CLock Generation Block.
	11-12	Figure 11-5	LCDCLKIN instead of 14.7456 MHz used label for input to Clock Source Select.
	11-23	Table 11-14	Bit 5, CSEL corrected from 'Reserved'.
	11-24	Table 11-15	Description of Bit 5, CSEL added.
	18-5, 18-6	Text	MMC operation clarified.
	18-15	Text	'Busy Sequence' corrected.
	18-25, 18-26	Table 18-9	Definitions of the CLK_DIS, FIFO_FULL, and FIFO_EMPTY bits corrected to reflect observed behavior.
	18-27	Table 18-10	RATE register definitions and text corrected to reflect observed behavior.
	18-32	Text	Example added.
	20-22	Text	Recommendation to add delay added.
	20-28	Table 20-27	Description corrected to reflect observed behavior.
	20-33	Table 20-37	
20-37	Table 20-47		
20-38	Table 20-49		
20-39	Table 20-51		
1-14-05	Book	All	Rolled revision from Preliminary to Version 1.0
	2-4	Text	Highest priority interrupt corrected to Brownout.
	5-19	Table 5-9	Made requirement to program RBLE to 1 for Writes more explicit.
	6-8	Section 6.1.3.3	Pin references deleted.
	6-16, 6-29	Section 6.1.4.7, Table 6-22	Clarified that programming the GBLCNFG:CKSD bit to 1 causes the SCKEx clock to free-run only when the SDMC controls the EBI, and that it stops when the SMC controls the EBI.
	6-23	Section 6.1.6	Synchronous Flash section removed.
	7-5	Table 7-2	Corrected divisors for the Timers.
	11-20	Table 11-12	Removed "TIMING3" register from description; register does not exist.
	11-46	Figure 11-10	Replaced with correct figure.
	11-48	Figure 11-12	Replaced with correct figure.

Record of Revisions (Cont'd)

DATE	PAGE NO.	SECTION, TABLE, OR ILLUSTRATION	SUMMARY OF CHANGES
1-14-05	17-2, 17-11 – 17-13	Table 17-2, Table 17-10 – Table 17-13, text	Corrected Port E to default to Output after reset.
	18-22	Table 18-5	Corrected typographical errors.
	18-34	Table 18-27, Table 18-28	Reserved bits 3 and 4 (They do not function as interrupt clear bits).
	19-5	Numbered steps	Steps 1 and 3 corrected; 0 enables pull up; 1 disables pull up.
	19-14	Table 19-10	Corrected DCP_CTRL from RO to RW.
	20-19	Table 20-13	Corrected definition of the IR bit; description of 1 and 0 states reversed (bit should always be 0).
	Chapter 23	All	Corrected register name errors.
3-30-06	23-38	Table 23-26	Corrected definition of DIVFACT field.
	Throughout		Corrected minor typographical errors; rolled revision number to Version 1.1.
	4-5	Table 4-3	Corrected order of bits at address 0xB0013FFC.
	Chapter 4	Throughout	Corrected minor typos.
	5-15	Section 5.1.7.3	Added section and illustration to clarify nWAIT; clarified nPCWAIT description .
	6-2	Text	Description of SDRAM memory banks corrected.
	7-4 & 7-19	Table 7-1 & Table 7-19	Corrected values for FCLK=132 MHz/HCLK=66 MHz and FCLK=166 MHz/HCLK=83 MHz.
	7-7	Section 7.1.2.1.1 and Section 7.1.2.1.2	Clarified that Standby and Halt will not be exited by the TICK interrupt.
	7-7	Section 7.1.2.2.1	Added "Because of ARM922T pipelining, five NOP instructions must follow this read."
	7-13	Table 7-8	Corrected example for PGMCLK bit.
	8-3	Section 8.1.2	Corrected pin number reference for UART1.
	8-7	Text	Added sentence that in 4-bit mono mode, Ports D and E can be used for GPIO.
	10-34	Table 10-34	Interrupt servicing information added to NFBINT.
	10-35	Table 10-36	DONE definition corrected for 0 state; interrupt servicing information added to NFB.
	10-39	Table 10-40	Corrected size of register (32-bits).
	10-41	Table 10-42	
	11-22	Table 11-16	Corrected STN behavior of VBP, VFP, VSW.
	11-29	LCD Control Register (CONTROL)	Clarified how to change operating modes.
	11-30	Table 11-27	Corrected definition of the WATERMARK bit.
	11-41	Table 11-47	Corrected definition of the REVDEL field.
13-1	Text	Added statement that WDT inactive in STANDBY and HALT Modes.	

Record of Revisions (Cont'd)

DATE	PAGE NO.	SECTION, TABLE, OR ILLUSTRATION	SUMMARY OF CHANGES
3-30-06	13-2	Section 13.1.1.2	Added section.
	13-7	Section 13.2.2.4	Corrected reset value of COUNT2 Register.
	14-2	Text	Slight rewording of text.
	16-9 & 16-23	Table 16-2 & Table 16-12	Corrected divisor values for: 28800, 38400, 57600, 76800, 115200, 153600, and 230400.
	16-13	Section 16.1.4.1	Corrected pin number references.
	17-11	Table 17-10	Corrected '1' state for Port E.
	19-1, 19-2, 19-3	Figure 19-1, Table 19-2, Figure 19-2	Corrected EP0 FIFO size (16 Bytes) and MAXP (16 Bytes).
	19-12	Section 19.2.2	Corrected register name to USBDRESET.
	19-11	Text	Minor rewording of text.
	19-24	Table 19-33	Reworded definition of FIFO_NE bit.
	19-30	Table 19-40	Added missing reset states for bits [3:2].
	20-19	Table 20-13	Corrected BLE (bit 3) definition.
	20-28	Table 20-33	Corrected definition of BCED field.
	20-33	Table 20-47	Corrected order of bits: Bit 9 = NPS, Bit 8 = PSM.
	20-36	Table 20-52	Corrected bit 31 to RW and reset to 0.
	21-35	Table 21-53, Table 21-54	Added inadvertently-omitted bit SLOT2TXCMP (bit 6) to RIS register description.
	23-27	Section 23.2.1	Corrected Base Address from 0x80000.0F00 to 0x8000.0F00
	23-38	Table 23-25	Corrected PEF and BRFB bits to 'RW'.
	25-8	Table 25-12	Corrected table name to "SYNC2 Register".
	26-7	Section 26.1.5	Minor rewording.
	27-2	Figure 27-1	References to AN5 removed.
	27-4	Figure 27-2	
	27-12	Table 27-3	Minor correction to HW example.
27-17	Table 27-12	Minor rewording of NOC description.	
27-19	Table 27-15	Corrected "...wait one A2DCLK periods" to "...wait two..."	
27-23	Section 27.2.2.10	Corrected URL for Touch Screen Application Note.	

Record of Revisions (Cont'd)

DATE	PAGE NO.	SECTION, TABLE, OR ILLUSTRATION	SUMMARY OF CHANGES
6-15-07	Throughout		Corrected minor typographical errors; rolled revision number to Version 1.2.
	5-19	Table 5-9	RBLE definition clarified.
	5-20 - 5-21	Table 5-10 and Figure 5-6	Added text, Table, and Figure to clarify use of IDCY bit.
	6-16	Section 6.1.4.7	Corrected description of clock shutdown description.
	6-29	Table 6-22	Corrected description of the CKSD bit.
	7-4, 7-19	Table 7-1, Table 7-19	Added value for 266/133 MHz operation.
	7-11	Table 7-6	Corrected values for CHIPID field.
	7-17	Section 7.2.2.5	Corrected time in Standby state to "2 to 4 32-kHz clock periods."
	19-13	Section 19.2.2.2	Clarified the description of this register.
	19-14	Table 19-11	Definition of the UC_RESUME bit corrected to "USB Device generates RESUME signalling in SUSPEND mode when this bit is 1."
	19-20	Table 19-23	SUSINTEN definition corrected; "This bit also enables and disables the RESUME interrupt." removed.
	19-23	Section 19.2.3.2	EP0 maximum packet size corrected to 16 bits.
	23-19	Figure 23-12	Figure corrected.
23-18	Section 23.1.2.5.6	Text corrected to explain that PEC must be calculated by software and provides the formula.	
23-26, 23-43, 23-46	Table 23-4, Table 23-32, Table 23-34	Clarified condition that asserts the MTCI interrupt.	
8-27-07	All	—	All references to Sharp replaced with NXP. Revision number rolled to Version 1.3.

Table of Contents

Preface

Conventions and Terms	xli
Unconnected (Floating) Inputs	xli
Multiplexed Pins	xli
Pin Names	xlii
Peripheral Devices	xlii
Register Addresses	xlii
Register Tables	xliii

Chapter 1 – Introduction

1.1 Description	1-1
1.2 Power Supply Sequencing	1-2
1.3 Functional Pin List	1-2

Chapter 2 – System Overview

2.1 Introduction.....	2-1
2.2 Features	2-1
2.3 Block Diagram	2-3
2.4 Power Supply Sequencing	2-4

Chapter 3 – Core and Data Paths

3.1 Theory of Operation	3-1
3.1.1 Operating States	3-2
3.1.2 Instruction and Data Cache	3-3
3.1.3 Memory Management Unit	3-4
3.1.4 Internal and External Memory	3-4
3.1.4.1 Memory Map.....	3-5
3.1.5 Boot Modes	3-6
3.1.5.1 Internal Boot ROM.....	3-6
3.2 Buses	3-7
3.2.1 Advanced High-Performance Bus (AHB)	3-7
3.2.1.1 Arbitration	3-7
3.2.1.2 Clock Generation and Bus Clocking Modes	3-11
3.2.1.3 Standard Bus Clocking Modes	3-12
3.2.1.4 Fastbus Extension Bus Clocking Mode	3-13
3.2.2 Advanced Peripheral Bus (APB)	3-14
3.2.3 The AHB-to-APB Bridge	3-15
3.3 The DMA Controller.....	3-15

Chapter 4 – Boot ROM

4.1 Theory of Operation	4-1
4.1.1 Compatible External Boot Devices	4-1
4.1.2 Boot Device Selection	4-1
4.1.3 Booting From NAND Flash	4-3
4.1.4 Booting From an I2C Device	4-4
4.1.5 Booting From UART2 Using XMODEM	4-4
4.1.6 Logging and Error Handling	4-5
4.2 Register Reference	4-6
4.2.1 Memory Map	4-6
4.2.2 Register Descriptions	4-6
4.2.2.1 Boot ROM Clear Register (BOOTCLR)	4-6

Chapter 5 – Static Memory Controller (SMC)

5.1 Theory of Operation	5-1
5.1.1 Operation Overview	5-2
5.1.1.1 Configuring the Multiplexed Pins	5-2
5.1.1.2 Using External Memory	5-3
5.1.2 Using PCMCIA and CompactFlash	5-3
5.1.3 Pin Multiplexing	5-4
5.1.3.1 Non-SMC Systems	5-5
5.1.3.2 General Purpose I/O and SMC PC Card Multiplexing	5-5
5.1.4 Memory Bank Selection	5-9
5.1.4.1 PC Card Address Space	5-10
5.1.5 Byte Lane Write Control	5-11
5.1.6 Access Sequencing	5-13
5.1.7 Wait State Generation	5-13
5.1.7.1 Memory Bank Timing	5-13
5.1.7.2 PC Card Timing	5-14
5.1.7.3 nWAIT Signalling	5-15
5.1.8 Write Protection	5-16
5.1.9 External Bus Interface	5-16
5.2 Register Reference	5-17
5.2.1 Memory Map	5-17
5.2.2 Register Descriptions	5-18
5.2.2.1 Bank Configuration Registers (BCRx)	5-18
5.2.2.2 PC Card Attribute Space Registers (PCxATTRIB)	5-20
5.2.2.3 PC Card Common Memory Space Registers (PCxCOM)	5-21
5.2.2.4 PC Card I/O Space Registers (PCxIO)	5-22
5.2.2.5 PCMCIA Control Register (PCMCIACON)	5-23

Chapter 6 – Synchronous Dynamic Memory Controller

6.1 Theory of Operation	6-1
6.1.1 Memory Banks	6-2
6.1.2 Operational Overview	6-3
6.1.2.1 SDMC Operation	6-3
6.1.2.2 Designing an SDRAM System.....	6-4
6.1.2.3 Read and Write Operation.....	6-4
6.1.2.4 Other Functions	6-5
6.1.3 External Hardware System Design	6-5
6.1.3.1 Control Signals	6-5
6.1.3.2 Pin Multiplexing	6-6
6.1.3.3 Chip Select Decoding	6-8
6.1.3.4 Address, Data, and Control Requirements.....	6-8
6.1.4 Programming the SDMC	6-14
6.1.4.1 Determining Parameter Values	6-14
6.1.4.2 Auto Precharge.....	6-14
6.1.4.3 RAS to CAS Latency	6-15
6.1.4.4 CAS Latency.....	6-15
6.1.4.5 External Bus Width	6-15
6.1.4.6 Burst Length	6-15
6.1.4.7 Clock Enable and Clock Shutdown	6-16
6.1.4.8 Configuring the SDRAM device Load Mode Register	6-16
6.1.4.9 Configuring the Refresh Timer Register	6-20
6.1.5 Initializing the SDRAM Devices	6-21
6.1.5.1 Initialization When Debugging	6-21
6.1.5.2 General Initialization Sequence.....	6-21
6.1.5.3 JEDEC General SDRAM Initialization Sequence	6-22
6.1.5.4 Micron SDRAM Initialization Sequence.....	6-22
6.1.6 Self Refresh.....	6-23
6.2 Boot Modes	6-23
6.2.1 Synchronous Memory Boot Interrupt Behavior	6-24
6.3 Register Reference	6-25
6.3.1 Memory Map	6-25
6.3.2 Register Descriptions	6-26
6.3.2.1 Synchronous Domain Chip Select Configuration Registers (SDCSC)	6-26
6.3.2.2 SDRAM Global Configuration Register (GBLCNFG).....	6-29
6.3.2.3 Refresh Timer Register (RFSHTMR)	6-31
6.3.2.4 Boot Status Register (BOOTSTAT).....	6-32

Chapter 7 – Clock and State Controller (CSC)

7.1 Theory of Operation	7-1
7.1.1 Clock Domains	7-1
7.1.1.1 32.768 kHz Clock	7-2
7.1.1.2 14.7456 MHz Clock	7-2
7.1.1.3 Reset	7-5
7.1.1.4 TICK and TICK Timeout Interrupt Generation	7-6
7.1.2 State Controller	7-6
7.1.2.1 Run State	7-7
7.1.2.2 Halt State	7-7
7.1.2.3 Standby State	7-8
7.2 Register Reference	7-10
7.2.1 Memory Map	7-10
7.2.2 Register Descriptions	7-11
7.2.2.1 Power Reset Register (PWRSR)	7-11
7.2.2.2 Power Control Register (PWRCNT)	7-13
7.2.2.3 Halt and Standby Read-to-Enter Registers (HALT) (STBY)	7-15
7.2.2.4 Interrupt and Flag Clearing Registers (BLEOI, MCEOI, TEOI, STFCLR)	7-16
7.2.2.5 Clock Set Register (CLKSET)	7-17
7.2.2.6 General Purpose Storage Registers (SCRREGx)	7-20
7.2.2.7 USB Device Reset Register (USBRESET)	7-21
7.2.2.8 Bus Master Arbitration Register (BMAR)	7-22
7.2.2.9 Boot ROM Clear Register (BOOTCLR)	7-23

Chapter 8 – Pin and Signal Multiplexing

8.1 Theory of Operation	8-1
8.1.1 External Interrupt and GPIO Port F Multiplexing	8-2
8.1.2 UART and GPIO Port B and Port C Multiplexing	8-3
8.1.3 Memory, MultiMediaCard, GPIO Port G, GPIO Port H, and Address Multiplexing	8-4
8.1.3.1 PCMCIA/Compact Flash Multiplexing	8-5
8.1.3.2 Synchronous and Asynchronous Memory Controller External Address Bus Multiplexing	8-5
8.1.4 LCD and GPIO Multiplexing	8-6
8.1.4.1 Reset State	8-7
8.1.5 AC97, ACI, and GPIO Multiplexing	8-7
8.1.6 Smart Card Interface, GPIO, and Address Multiplexing	8-8
8.1.7 Battery Monitor Interface and GPIO Multiplexing	8-8

Chapter 9 – Vectored Interrupt Controller (VIC)

9.1 Theory of Operation	9-1
9.1.1 Interrupt Priority	9-2
9.1.2 Interrupt Assignment	9-3
9.2 Register Reference	9-5
9.2.1 Memory Map	9-5
9.2.2 Register Descriptions	9-7
9.2.2.1 IRQ Status Register (IRQSTATUS1 and IRQSTATUS2)	9-7
9.2.2.2 FIQ Status Register (FIQSTATUS1 and FIQSTATUS2)	9-13
9.2.2.3 Raw Interrupt Status Register (RAWINTR1 and RAWINTR2)	9-19
9.2.2.4 Interrupt Select Register (INTSEL1 and INTSEL2)	9-25
9.2.2.5 Interrupt Enable Register (INTEN1 and INTEN2).....	9-26
9.2.2.6 Interrupt Enable Clear Register (INTENCLR1 and INTENCLR2).....	9-27
9.2.2.7 Software Interrupt Register (SOFTINT1 and SOFTINT2)	9-28
9.2.2.8 Software Interrupt Clear Register (SOFTINTCLR1 and SOFTINTCLR2) 9-29	
9.2.2.9 Vector Address Register (VECTADDR1 and VECTADDR2).....	9-30
9.2.2.10 Non-Vectored Address Register (NVADDR1 and NVADDR2)	9-31
9.2.2.11 Vector Address Registers (VAD1[15:0] and VAD2[15:0]).....	9-32
9.2.2.12 Vector Control Registers (VECTCNTL1[15:0] and VECTCNTL2[15:0]) 9-34	
9.2.2.13 Test Control Register (ITCR1 and ITCR2)	9-36
9.2.2.14 Test Input Register (ITIP1)	9-37
9.2.2.15 Test Input Register (ITIP2)	9-38
9.2.2.16 Test Output Register (ITOP1).....	9-39
9.2.2.17 Test Output Register ITOP2	9-40

Chapter 10 – Direct Memory Access (DMA) Controller

10.1 Theory of Operation	10-1
10.1.1 DMA External Interface Signals	10-2
10.1.1.1 Interrupt Interface	10-5
10.1.1.2 Internal M2P/P2M Data Unpacker/Packer Description.....	10-5
10.1.2 M2M DMA Functional Description	10-6
10.1.2.1 Data Transfer Initiation	10-6
10.1.2.2 Data Transfer Termination.....	10-7
10.1.2.3 Memory Block Transfer	10-8
10.1.2.4 Bandwidth Control	10-8
10.1.2.5 External Peripheral DMA Request (DREQ) Mode.....	10-8
10.1.3 DMA Data Transfer Size Determination	10-9
10.1.3.1 Internal Peripheral and Software Initiated M2M Transfers	10-9
10.1.3.2 External M2P/P2M Transfers	10-10
10.1.4 Buffer Descriptors.....	10-10
10.1.4.1 Internal M2P/P2M Channel RX Buffer.....	10-10
10.1.4.2 Internal M2P/P2M Channel TX Buffer	10-10
10.2 Memory Map	10-13
10.2.1 Global DMA Register Map.....	10-14
10.2.1.1 Global Channel Arbitration Register (GCA).....	10-14
10.2.1.2 Global Interrupt Register (GIR).....	10-15

10.2.2 Memory-to-Peripheral/Peripheral-to-Memory	
Channel Register Map	10-17
10.2.2.1 Control Register (PCONTROL)	10-18
10.2.2.2 Interrupt Status Register (PINTERRUPT)	10-20
10.2.2.3 Peripheral Port Allocation Register (PPALLOC).....	10-21
10.2.2.4 Channel Status Register (PSTATUS).....	10-23
10.2.2.5 Bytes Remaining Register (REMAIN).....	10-25
10.2.2.6 Maximum Buffer Count Register (MAXCNT0 and MAXCNT1).....	10-26
10.2.2.7 Base Address Registers (BASE0 and BASE1)	10-27
10.2.2.8 Current Address Registers (CURRENT0 and CURRENT1).....	10-28
10.2.3 Memory-to-Memory Channel Register Map	10-29
10.2.3.1 Control Register (MCONTROL).....	10-30
10.2.3.2 Interrupt Status Register (MINTERRUPT).....	10-34
10.2.3.3 Channel Status Register (MSTATUS).....	10-35
10.2.3.4 Byte Count Remaining Registers (BCRx).....	10-38
10.2.3.5 Source Address Base Registers (SAR_BASEx)	10-39
10.2.3.6 Current Source Address Base Registers (SAR_CURRENTx)	10-40
10.2.3.7 Destination Address Base Registers (DAR_BASEx).....	10-41
10.2.3.8 Current Destination Address Base Register (DAR_CURRENTx)	10-42

Chapter 11 – Color LCD Controller

11.1 Introduction.....	11-1
11.1.1 LCD Panel Architecture	11-2
11.1.2 Features	11-3
11.1.3 Theory of Operation	11-3
11.1.3.1 Memory Management Unit	11-5
11.1.3.2 Dual-panel Color STN Operation.....	11-6
11.1.3.3 Dual-panel Monochrome STN Operation	11-6
11.1.3.4 Single-panel Color STN Operation	11-7
11.1.3.5 Single-panel Monochrome STN Operation.....	11-7
11.1.3.6 TFT Operation	11-7
11.1.3.7 Storing Pixels in the Frame Buffer.....	11-8
11.1.3.8 Pixel Serializer	11-8
11.1.3.9 How Pixels are Stored in Memory	11-8
11.1.4 LCD Panel Resolution	11-10
11.1.4.1 Color and Gray Scale Selection	11-10
11.1.5 LCD Data Multiplexing.....	11-12
11.1.6 CLCDC Clock Generation	11-13
11.1.7 LCD Interface Timing Signals.....	11-14
11.1.7.1 LCD Horizontal Timing Signals.....	11-14
11.1.7.2 LCD Vertical Timing Signals.....	11-15
11.1.8 LCD Power Sequencing at Turn-On and Turn-Off	11-15
11.1.8.1 Minimizing a Retained Image on the LCD	11-15
11.1.9 CLCDC Interrupts	11-16
11.1.9.1 Master Bus Error Interrupt — MBEI.....	11-17
11.1.9.2 Vertical Compare Interrupt — CVCI	11-17
11.1.9.3 LCD Next Base Address Update Interrupt — BUI	11-17
11.1.9.4 LCD FIFO Underflow Interrupt — FUI	11-17

11.2 Advanced LCD Interface	11-18
11.2.1 Theory of Operation	11-18
11.2.1.1 Bypass Mode.....	11-19
11.2.1.2 Active Mode.....	11-19
11.2.1.3 CLCDC Setup for AD-TFT or HR-TFT Operation.....	11-19
11.3 Register Reference	11-20
11.3.1 Memory Map	11-20
11.3.2 CLCDC Register Descriptions.....	11-21
11.3.2.1 LCD Timing 0 Register (TIMING0)	11-21
11.3.3 LCD Timing 1 Register (TIMING1)	11-22
11.3.4 LCD Timing 2 Register (TIMING2)	11-24
11.3.5 LCD Upper Panel Base Address Register (UPBASE)	11-26
11.3.6 LCD Lower Panel Base Address Register (LPBASE)	11-27
11.3.7 LCD Interrupt Enable Register (INTREN)	11-28
11.3.8 LCD Control Register (CONTROL)	11-29
11.3.9 Interrupt Status Register (STATUS).....	11-32
11.3.10 Interrupt Register (INTERRUPT).....	11-33
11.3.11 LCD Upper Panel Current Address Register (UPCUR).....	11-34
11.3.12 LCD Lower Panel Current Address Register (LPCUR)	11-35
11.3.13 LCD Overflow Register (OVERFLOW).....	11-36
11.3.14 LCD Palette Registers (PALETTE)	11-37
11.4 ALI Register Reference	11-38
11.4.1 ALI Memory Map	11-38
11.4.2 ALI Register Descriptions.....	11-38
11.4.3 ALI Setup Register (ALISSETUP)	11-39
11.4.4 ALI Control Register (ALICONTROL).....	11-40
11.4.5 ALI Timing 1 Register (ALITIMING1)	11-41
11.4.6 ALI Timing 2 Register (ALITIMING2)	11-42
11.5 Color LCD System Timing Waveforms.....	11-43
11.5.1 STN Horizontal Timing	11-43
11.5.2 TFT Horizontal Timing.....	11-43
11.5.3 TFT Vertical Timing	11-43
11.5.4 AD-TFT and HR-TFT Horizontal Timing Waveforms.....	11-48
11.5.5 AD-TFT and HR-TFT Vertical Timing.....	11-49
Chapter 12 – Timers	
12.1 Theory of Operation	12-1
12.2 Register Reference	12-2
12.2.1 Memory Map	12-2
12.2.2 Register Descriptions	12-3
12.2.2.1 Timer Load Registers (LOADx)	12-3
12.2.2.2 Timer Value Registers (VALUEx).....	12-4
12.2.2.3 Timer End-of-Interrupt Registers (TCEOIx).....	12-5
12.2.2.4 Timer Control Registers (CONTROLx).....	12-6
12.2.2.5 Timer Buzzer Count Register (BZCON)	12-8

Chapter 13 – Watchdog Timer (WDT)

13.1 Theory of Operation	13-1
13.1.1 WDT Configuration	13-1
13.1.1.1 Interrupt Generation	13-2
13.1.1.2 Initialization Following Reset	13-2
13.2 Register Reference	13-3
13.2.1 Memory Map	13-3
13.2.2 Register Descriptions	13-4
13.2.2.1 Control Register (CTL)	13-4
13.2.2.2 Counter Reset Register (RST)	13-5
13.2.2.3 Status Register (STATUS)	13-6
13.2.2.4 Current Watchdog Count Registers (COUNT[3:0])	13-7

Chapter 14 – Real Time Clock (RTC)

14.1 Theory of Operation	14-1
14.1.1 RTC Interrupt.....	14-1
14.1.2 Configuring the RTC for Use	14-1
14.2 Register Reference	14-2
14.2.1 Memory Map	14-2
14.2.2 Register Descriptions	14-3
14.2.2.1 RTC Data Register (RTCDR)	14-3
14.2.2.2 RTC Load Register (RTCLR)	14-4
14.2.2.3 RTC Match Register (RTCMR).....	14-5
14.2.2.4 RTC Interrupt Status and Interrupt Clear Register (RTCSTAT and RTCEOI)	14-6
14.2.2.5 RTC Control Register (RTCCR)	14-8

Chapter 15 – Synchronous Serial Port (SSP)

15.1 Theory of Operation	15-1
15.1.1 Clocking.....	15-1
15.1.2 FIFOs	15-1
15.1.3 Interrupts	15-2
15.1.4 SSP Data Formats	15-3
15.1.4.1 Texas Instruments Synchronous Serial Format	15-3
15.1.4.2 Motorola SPI Format	15-4
15.1.4.3 National Semiconductor MICROWIRE Format.....	15-7
15.2 Register Reference	15-8
15.2.1 Memory Map	15-8
15.2.2 Register Descriptions	15-9
15.2.2.1 Control 0 Register (CR0)	15-9
15.2.2.2 Control 1 Register (CR1)	15-11
15.2.2.3 Interrupt Identification Register (IIR).....	15-13
15.2.2.4 Receive Overrun End-of-Interrupt Register (RXEOI)	15-14
15.2.2.5 Data Register (DR)	15-15
15.2.2.6 Clock Prescale Register (CPR)	15-16
15.2.2.7 SSP Status Register (SR)	15-17

Chapter 16 – Universal Asynchronous Receiver/Transmitter (UART)

16.1 Theory of Operation	16-1
16.1.1 UART Overview.....	16-1
16.1.1.1 Data Protocol.....	16-5
16.1.1.2 Operation Summary	16-6
16.1.2 Configuring the UARTs	16-8
16.1.2.1 Selecting FIFO or Non-FIFO Operation.....	16-8
16.1.2.2 Specifying the Data Size	16-8
16.1.2.3 Enabling and Specifying Parity.....	16-8
16.1.2.4 Specifying the Baud Rate	16-8
16.1.2.5 Setting Low Power Mode for Infrared Operation	16-10
16.1.2.6 Selecting Signal Polarity.....	16-10
16.1.2.7 Configuring the UART3 Multiplexed Pins	16-10
16.1.2.8 Configuring UART1 for Infrared Operation	16-10
16.1.3 Managing the Receive Operation	16-10
16.1.3.1 UART Input Pins.....	16-11
16.1.3.2 Framing	16-11
16.1.3.3 Data Handling.....	16-11
16.1.3.4 Checking Parity	16-12
16.1.3.5 Identifying a Break.....	16-12
16.1.4 Managing the Transmit Operation.....	16-13
16.1.4.1 Configuring the Output Pins	16-13
16.1.4.2 Framing and Generating Parity	16-13
16.1.4.3 Entering a Break State	16-13
16.1.4.4 Handling the Data.....	16-13
16.1.5 Using the External Modem Control Signals.....	16-14
16.1.6 Configuring and Handling Interrupts.....	16-15
16.1.7 Configuring Loopback Mode	16-18
16.2 Register Reference	16-19
16.2.1 Memory Map	16-19
16.2.2 Register Descriptions	16-20
16.2.2.1 Data Register (DATA).....	16-20
16.2.2.2 FIFO and Framing Control Register (FCON).....	16-22
16.2.2.3 Baud Rate Control Register (BRCON)	16-23
16.2.2.4 Control Register (CONx)	16-24
16.2.2.5 Status Register (STATUS)	16-26
16.2.2.6 Raw Interrupt Register (RAWISR).....	16-27
16.2.2.7 Interrupt Enable Register (INTEN)	16-29
16.2.2.8 Masked Interrupt Status Register (MISR).....	16-30
16.2.2.9 Read Error Status and Clear Register (RES)	16-31
16.2.2.10 Error Interrupt Clear Register (EIC).....	16-32
16.2.2.11 DMA Control Register (DMACR).....	16-33

Chapter 17 – GPIO and External Interrupts

17.1 Theory of Operation	17-1
17.1.1 GPIO Nomenclature	17-1
17.1.2 GPIO Port Usage	17-2
17.1.2.1 Programming GPIO Pins	17-2
17.1.2.2 Input/Output Data	17-2
17.1.3 Port F External Interrupts	17-3
17.1.3.1 Configuring the Interrupts	17-4
17.1.3.2 Enabling and Clearing Interrupts	17-6
17.2 Register Reference	17-7
17.2.1 Memory Map	17-7
17.2.2 Register Descriptions	17-9
17.2.2.1 GPIO Data Registers (PyD).....	17-9
17.2.2.2 GPIO Pin Data Registers (PyPD).....	17-10
17.2.2.3 GPIO Data Direction Registers (PyDD).....	17-11
17.2.2.4 GPIO Keyboard Control Register (KBDCTL).....	17-15
17.2.2.5 GPIO Pin Multiplexing Register (PINMUX).....	17-16
17.2.2.6 Interrupt Type 1 Register (INTTYPE1)	17-18
17.2.2.7 Interrupt Type 2 Register (INTTYPE2)	17-20
17.2.2.8 GPIO Port F End-of-Interrupt Register (GPIOFEOI)	17-21
17.2.2.9 GPIO Port F Interrupt Enable Register (GPIOINTEN).....	17-22
17.2.2.10 GPIO Port F Interrupt Status Register (INTSTATUS)	17-23
17.2.2.11 GPIO Port F Raw Interrupt Status Register (RAWINSTATUS) ..	17-24
17.2.2.12 GPIO Port F Debounce Register (GPIODB).....	17-25

Chapter 18 – Secure Digital (SD) and MultiMediaCard (MMC) Controller

18.1 Theory of Operation	18-1
18.1.1 Interface	18-2
18.1.1.1 SD/MMC Card Registers	18-2
18.1.2 SD/MMC Memory Organization	18-3
18.1.3 Reset	18-4
18.1.4 Clock Generation and Control	18-4
18.1.5 DMA Operation.....	18-5
18.1.6 SD/MMC Card Communication Overview	18-6
18.1.6.1 Identification Mode	18-6
18.1.6.2 Data Transfer Mode.....	18-7
18.1.7 Command Operation and Protocols	18-10
18.1.7.1 Basic, No Data, Command-Response Sequence	18-10
18.1.7.2 Data Transfer.....	18-11
18.1.7.3 Busy Sequence	18-14
18.1.8 Error Detection	18-15
18.1.9 Interrupts	18-15
18.1.10 Transaction Examples	18-16
18.1.10.1 Initialize.....	18-16
18.1.10.2 No Data Command and Response Transaction.....	18-17
18.1.10.3 Erase	18-17
18.1.10.4 Single Block Write	18-17
18.1.10.5 Single Block Read	18-18

18.1.10.6 Multiple Block Write	18-19
18.1.10.7 Multiple Block Read	18-20
18.1.10.8 Stream Write	18-20
18.1.10.9 Stream Read	18-21
18.2 Register Reference	18-22
18.2.1 Memory Map	18-22
18.2.2 Register Descriptions	18-23
18.2.2.1 Clock Control Register (CLKC)	18-23
18.2.2.2 Status Register (STATUS)	18-24
18.2.2.3 Clock Rate Divisor Register (RATE)	18-26
18.2.2.4 Clock Predivide Register (PREDIV)	18-27
18.2.2.5 Command and Control Register (CMDCON)	18-28
18.2.2.6 Response Timeout Register (RES_TO)	18-30
18.2.2.7 Read Timeout Register (READ_TO)	18-30
18.2.2.8 Block Length Register (BLK_LEN)	18-31
18.2.2.9 Number of Blocks Register (NOB)	18-32
18.2.2.10 Interrupt Status Register (INT_STATUS)	18-33
18.2.2.11 End of Interrupt Register (EOI)	18-34
18.2.2.12 Interrupt Mask Register (INT_MASK)	18-35
18.2.2.13 Command Register (CMD)	18-36
18.2.2.14 Argument Register (ARGUMENT)	18-36
18.2.2.15 Response FIFO Register (RES_FIFO)	18-37
18.2.2.16 Data FIFO Register (DATA_FIFO)	18-38
Chapter 19 – Universal Serial Bus (USB) Device	
19.1 Theory of Operation	19-1
19.1.1 Architecture	19-2
19.1.1.1 Endpoints	19-2
19.1.1.2 FIFOs	19-3
19.1.1.3 Serial Interface	19-3
19.1.1.4 DMA Channels	19-3
19.1.2 Programming the USB Device	19-4
19.1.2.1 USB Transactions	19-4
19.1.2.2 AHB Transactions	19-4
19.1.2.3 USB Reset	19-5
19.1.3 Operational Details	19-6
19.1.3.1 Initializing the USB	19-6
19.1.3.2 Interrupt Servicing	19-6
19.1.3.3 Using DMA for BULK Data Transfers	19-8
19.1.3.4 Using Double-Buffered Mode	19-9
19.1.3.5 Example of Processing a Chapter 9 Command	19-9
19.1.3.6 Important Sent Stall Interrupt Issues	19-10
19.2 Register Reference	19-10
19.2.1 Memory Map	19-10
19.2.1.1 Indexed Register Addressing	19-11
19.2.2 Register Descriptions	19-12
19.2.2.1 USB Device Reset Register (USBDRESET)	19-12
19.2.2.2 Function Address Register (FAR)	19-13

19.2.2.3 Power Management Register (PMR).....	19-14
19.2.2.4 IN Interrupt Register (IIR)	19-15
19.2.2.5 OUT Interrupt Register (OIR)	19-16
19.2.2.6 USB Interrupt Register (UIR).....	19-17
19.2.2.7 IN Interrupt Enable Register (IIE)	19-18
19.2.2.8 OUT Interrupt Enable Register (OIE)	19-19
19.2.2.9 USB Interrupt Enable Register (UIE).....	19-20
19.2.2.10 Frame Number Registers (FRAME1 and FRAME2).....	19-21
19.2.3 Indexed Registers	19-22
19.2.3.1 Index Register (INDEX)	19-22
19.2.3.2 Maximum Packet Size Register (INMAXP/OUTMAXP).....	19-23
19.2.3.3 IN Control and Status Register (INCSR1)	19-24
19.2.3.4 IN Control and Status Register (INCSR2)	19-26
19.2.3.5 OUT Control and Status Register 1 (OUTCSR1)	19-27
19.2.3.6 OUT Control and Status Register 2 (OUTCSR2)	19-29
19.2.3.7 Endpoint 0 Control and Status Register (EP0CSR)	19-30
19.2.3.8 Out FIFO Write Count Register (COUNT1)	19-32
Chapter 20 – USB Host Controller	
20.1 Theory of Operation	20-2
20.1.1 USB Host Controller Block Descriptions	20-2
20.1.1.1 AHB Master and Slave	20-2
20.1.1.2 Host Controller.....	20-2
20.1.1.3 Root Hub and Host Serial Interface Engine.....	20-4
20.1.1.4 Differential Output Transceivers	20-4
20.1.2 Host Controller Driver Software.....	20-5
20.1.2.1 USB Access Scheduling.....	20-5
20.1.2.2 List Management	20-6
20.1.2.3 Root Hub	20-6
20.1.3 Endpoint Descriptors and Transfer Descriptors	20-6
20.1.3.1 Endpoint Descriptors	20-8
20.1.3.2 Transfer Descriptors	20-10
20.1.4 Data Transfer Types.....	20-15
20.1.5 Host Controller Communications Area (HCCA).....	20-16
20.1.6 Protected Power Switch Technology.....	20-16
20.1.7 Interrupts	20-16
20.2 Register Reference	20-17
20.2.1 Memory Map	20-17
20.2.2 Register Descriptions	20-18
20.2.2.1 Revision Register (HcRevision).....	20-18
20.2.2.2 Control Register (HcControl)	20-19
20.2.2.3 Command and Status Register (HcCommandStatus).....	20-21
20.2.2.4 Interrupt Status Register (HcInterruptStatus)	20-22
20.2.2.5 Interrupt Enable Register (HcInterruptEnable)	20-24
20.2.2.6 Interrupt Disable Register (HcInterruptDisable).....	20-25
20.2.2.7 Host Controller Communication Area Register (HcHCCA).....	20-26
20.2.2.8 Current Periodic List Pointer Register (HcPeriodCurrentED)	20-26

20.2.2.9 Control List First Endpoint Address Register (HcControlHeadED).....	20-27
20.2.2.10 Control List Current Endpoint Address Register (HcControlCurrentED)	20-27
20.2.2.11 Bulk List First Endpoint Address Register (HcBulkHeadED).....	20-28
20.2.2.12 Bulk List Current Endpoint Address Register (HcBulkCurrentED).....	20-28
20.2.2.13 Last Completed Transfer Descriptor Register (HcDoneHead) ...	20-29
20.2.2.14 Frame Bit Time Interval Register (HcFmInterval)	20-30
20.2.2.15 Current Frame Remaining Time Register (HcFmRemaining)	20-31
20.2.2.16 Frame Number Register (HcFmNumber)	20-31
20.2.2.17 Periodic Start Register (HcPeriodicStart)	20-32
20.2.2.18 Low Speed Threshold Register (HcLSThreshold)	20-32
20.2.2.19 Root Hub Descriptor A Register (HcRhDescriptorA)	20-33
20.2.2.20 Root Hub Descriptor B Register (HcRhDescriptorB)	20-34
20.2.2.21 Root Hub Status Register (HcRhStatus)	20-35
20.2.2.22 Root Hub Port Status Registers (HcRhPortStatus[2:1])	20-36

Chapter 21 – AC97 Controller

21.1 Theory of Operation	21-1
21.1.1 Data Protocol.....	21-2
21.1.2 AC97 Architecture	21-3
21.1.2.1 Channels and FIFOs	21-4
21.1.2.2 FIFOs.....	21-6
21.1.2.3 Unpackers and Resizers	21-6
21.1.3 DMA Interface Bus Protocol	21-7
21.1.4 Serial Interface Protocol	21-8
21.1.4.1 ACOUT Slot Data	21-8
21.1.4.2 ACIN Slot Data	21-14
21.1.5 External Reset Modes	21-18
21.1.5.1 Cold Reset.....	21-18
21.1.5.2 Warm Reset.....	21-18
21.1.5.3 Register Reset.....	21-19
21.1.6 Power Considerations	21-19
21.1.6.1 Low Power Mode.....	21-19
21.1.7 Clock Gating.....	21-19
21.1.8 Interrupts	21-20
21.1.8.1 Important Note on Global Interrupt Timing	21-20
21.1.9 System Loopback Testing	21-20
21.2 Register Reference	21-21
21.2.1 Memory Map	21-21
21.2.2 Register Descriptions	21-22
21.2.2.1 Data Registers (DRx)	21-22
21.2.2.2 Receive Control Registers (RXCRx)	21-23
21.2.2.3 Transmit Control Registers (TXCRx).....	21-25
21.2.2.4 Controller Status Registers (SRx)	21-27
21.2.2.5 Raw Interrupt Status Registers (RISRx).....	21-28
21.2.2.6 Interrupt Status Registers (ISRx).....	21-30

21.2.2.7 Interrupt Enable Registers (IEx)	21-31
21.2.2.8 Slot 1 Data Register (S1DATA)	21-32
21.2.2.9 Slot 2 Data Register (S2DATA)	21-33
21.2.2.10 Slot 12 Data Register (S12DATA)	21-34
21.2.2.11 Raw Global Interrupt Status Register (RGIS)	21-35
21.2.2.12 Global Interrupt Status Register (GIS)	21-37
21.2.2.13 Global Interrupt Enable Register (GIEN)	21-38
21.2.2.14 Global End-of-Interrupt Register (GEOI)	21-39
21.2.2.15 Global Control Register (GCR)	21-40
21.2.2.16 Reset Register (RESET)	21-41
21.2.2.17 SYNC Port Register (SYNC)	21-42
21.2.2.18 Global Control Interrupt Status Register (GCIS)	21-43
Chapter 22 – Audio Codec Interface (ACI)	
22.1 Theory of Operation	22-1
22.1.1 Transmit and Receive Mode Control	22-1
22.1.2 Multiplexing	22-1
22.1.3 Clocking	22-2
22.1.4 Receive FIFO	22-2
22.1.5 Transmit FIFO	22-3
22.1.6 Interrupts	22-3
22.1.7 Loopback	22-4
22.2 Register Reference	22-4
22.2.1 Memory Map	22-4
22.2.2 Register Descriptions	22-5
22.2.2.1 ACI Data Register (DATA)	22-5
22.2.2.2 ACI Control Register (CTL)	22-6
22.2.2.3 ACI Status Register (STATUS)	22-7
22.2.2.4 ACI End-of-Interrupt Register (EOI)	22-8
22.2.2.5 ACI Clock Divisor Register (CLKDIV)	22-9
Chapter 23 – Battery Monitor Interface (BMI)	
23.1 Theory of Operation	23-1
23.1.1 Single Wire Interface	23-1
23.1.1.1 SWI Overview	23-2
23.1.1.2 Protocol	23-2
23.1.1.3 Configuration	23-4
23.1.1.4 Writes and Reads	23-4
23.1.1.5 Timeout and Break	23-5
23.1.2 Smart Battery Interface	23-5
23.1.2.1 SBI Overview	23-5
23.1.2.2 FIFOs	23-6
23.1.2.3 System Management Bus	23-7
23.1.2.4 Using the SMBus	23-11
23.1.2.5 Smart Battery Interface Master and Slave Modes	23-13
23.1.2.6 Command Protocol Summary	23-19
23.1.3 BMI Interrupts	23-25
23.2 Register Reference	23-27

23.2.1 Memory Map	23-27
23.2.2 Register Descriptions	23-28
23.2.2.1 Single Wire Interface Data Register (SWIDR).....	23-28
23.2.2.2 Single Wire Interface Control Register (SWICR).....	23-29
23.2.2.3 BMI Single Wire Interface Status Register (SWISR).....	23-30
23.2.2.4 BMI Single Wire Interface Raw Interrupt Status and Clear Register (SWIRSR and SWIEOI)	23-32
23.2.2.5 BMI Single Wire Interface Interrupt Status Register (SWIISR).....	23-33
23.2.2.6 BMI Single Wire Interface Interrupt Enable Register (SWIIER).....	23-34
23.2.2.7 BMI Single Wire Interface Timing Register (SWITR).....	23-35
23.2.2.8 BMI Single Wire Interface Break Register (SWIBR).....	23-36
23.2.2.9 BMI Smart Battery Data Register (SBIDR).....	23-37
23.2.2.10 BMI Smart Battery Control Register (SBICR).....	23-38
23.2.2.11 BMI Smart Battery Count Register (SBICOUNT)	23-40
23.2.2.12 IBMI Smart Battery Status Register (SBISR)	23-41
23.2.2.13 BMI Smart Battery Raw Interrupt Status Register and End-of-Interrupt Register (SBIRISR and SBIEOI)	23-43
23.2.2.14 BMI Smart Battery Interrupt Status Register (SBIISR)	23-45
23.2.2.15 BMI Smart Battery Interrupt Enable Register (SBIIER).....	23-47
 Chapter 24 – Direct Current to Direct Current (DC-DC) Converter Interface	
24.1 Theory of Operation	24-1
24.1.1 Operation Summary	24-3
24.1.1.1 Hardware Setup.....	24-3
24.1.1.2 Programming.....	24-4
24.2 Register Reference	24-5
24.2.1 Memory Map	24-5
24.2.2 Register Descriptions	24-5
24.2.2.1 DC-DC Duty Cycle Configuration Register (DCDCCON).....	24-5
24.2.2.2 DC-DC Frequency Configuration Register (DCDCFREQ)	24-7
 Chapter 25 – Pulse Width Modulator (PWM)	
25.1 Theory of Operation	25-1
25.1.1 Output Programming	25-2
25.2 Register Reference	25-3
25.2.1 Memory Map	25-3
25.2.2 Register Descriptions	25-4
25.2.2.1 Terminal Count Registers (TC2 and TC3).....	25-4
25.2.2.2 Duty Cycle Register (DC2 and DC3).....	25-5
25.2.2.3 PWM Enable Register (EN2 and EN3).....	25-6
25.2.2.4 Output Invert Registers (INV2 and INV3)	25-7
25.2.2.5 Synchronous Mode Registers (SYNC2).....	25-8
25.3 PWM Programming Examples	25-9
25.3.1 Static Programming (PWM not running) Example.....	25-9
25.3.2 Dynamic Programming (PWM Running) Example	25-9
25.3.3 Programming Rules.....	25-9

Chapter 26 – Smart Card Interface (SCI)

26.1 Theory of Operation	26-1
26.1.1 SCI Operation Summary	26-2
26.1.1.1 Card Insertion and Detection.....	26-2
26.1.1.2 Activation and Answer-to-Reset (ATR).....	26-2
26.1.1.3 Transaction Execution	26-2
26.1.1.4 Deactivation and Card Removal.....	26-3
26.1.1.5 Warm Reset.....	26-3
26.1.2 Enabling the SCI and Card Signals.....	26-3
26.1.3 Clocking and Timing SCI Operations	26-3
26.1.3.1 Supplying the Smart Card Clock Signal	26-4
26.1.3.2 Specifying the etu	26-4
26.1.4 Detecting, Activating, and Deactivating a Card	26-5
26.1.4.1 Detecting the Card.....	26-5
26.1.4.2 Activating the Card	26-5
26.1.4.3 Deactivating the Card	26-6
26.1.5 Handling Answer-to-Reset (ATR)	26-7
26.1.6 Receiving and Transmitting Data	26-8
26.1.7 SCI In Standby Mode	26-11
26.1.8 Boundary Scan Mode.....	26-11
26.2 Register Reference	26-12
26.2.1 Memory Map	26-12
26.2.2 Register Descriptions	26-13
26.2.2.1 Data Register (DATA).....	26-13
26.2.2.2 Control 0 Register (CR0)	26-14
26.2.2.3 Control 1 Register (CR1)	26-15
26.2.2.4 Control 2 Register (CR2)	26-16
26.2.2.5 Interrupt Enable Register (IER)	26-17
26.2.2.6 Retry Limit Register (RETRY)	26-19
26.2.2.7 Watermark Register (WMARK)	26-20
26.2.2.8 Transmit FIFO Count and Clear Register (TXCOUNT)	26-21
26.2.2.9 Receive FIFO Count and Clear Register (RXCOUNT).....	26-22
26.2.2.10 FIFO Status Register (FR).....	26-23
26.2.2.11 Receive Read Time-Out Register (RXTIME).....	26-24
26.2.2.12 Direct Status Register (DSTAT)	26-25
26.2.2.13 Debounce Timer Register (STABLE)	26-27
26.2.2.14 Activation Time Register (ATIME)	26-28
26.2.2.15 Deactivation Event Time Register (DTIME).....	26-28
26.2.2.16 ATR Reception Start Time Register (ATRSTIME).....	26-29
26.2.2.17 ATR Duration Register (ATRDTIME).....	26-29
26.2.2.18 Receive Block Time-Out Register (BLKTIME).....	26-30
26.2.2.19 Character-to-Character Time-Out Register (CHTIME)	26-31
26.2.2.20 Clock Frequency Register (CLKDIV).....	26-32
26.2.2.21 Baud Rate Register (BAUD).....	26-33
26.2.2.22 Baud Cycles Register (CYCLES)	26-34
26.2.2.23 Character-to-Character Guard Time Register (CHGUARD).....	26-35
26.2.2.24 Block Guard Time Register (BLKGUARD)	26-36

26.2.2.25 Asynchronous and Synchronous Multiplexing Register (SYNCCR)	26-37
26.2.2.26 Synchronous Data Register (SYNCDATA).....	26-38
26.2.2.27 Raw I/O and Clock Status Register (RAWSTAT)	26-39
26.2.2.28 Interrupt Identification and Clear Register (IIR) (ICR)	26-40
26.2.2.29 Control Register (CONTROL).....	26-43

Chapter 27 – Analog-to-Digital Converter/Brownout Detector

27.1 Theory of Operation	27-1
27.1.1 Operational Summary	27-1
27.1.2 Bias-and-Control Network	27-3
27.1.3 Clock Generator	27-5
27.1.4 Brownout Detector.....	27-5
27.1.5 Battery Control Feature	27-5
27.1.6 SAR Architecture	27-6
27.1.7 Control Bank State Machine.....	27-8
27.1.8 Timing Formulas.....	27-9
27.1.9 Interrupts	27-9
27.1.9.1 Brownout Interrupt.....	27-10
27.1.9.2 Pen Interrupt.....	27-10
27.1.9.3 End-of-Sequence Interrupt	27-10
27.1.9.4 FIFO Watermark Interrupt	27-10
27.1.9.5 FIFO Overrun Interrupt.....	27-10
27.1.10 Application Details	27-10
27.2 Register Reference	27-11
27.2.1 Memory Map	27-11
27.2.2 Register Descriptions	27-12
27.2.2.1 High Word Register (HW).....	27-12
27.2.2.2 Control Bank Low Word Register (LW)	27-14
27.2.2.3 Results Register (RR).....	27-15
27.2.2.4 Interrupt Mask Register (IM).....	27-16
27.2.2.5 Power Configuration Register (PC)	27-17
27.2.2.6 General Configuration Register (GC)	27-19
27.2.2.7 General Status Register (GS).....	27-20
27.2.2.8 Raw Interrupt Status Register (IS).....	27-21
27.2.2.9 FIFO Status Register (FS).....	27-22
27.2.2.10 Control Bank Registers.....	27-23
27.2.2.11 Idle High Word Register (IHWCTRL).....	27-24
27.2.2.12 Idle Low Word Register (ILWCTRL)	27-25
27.2.2.13 Masked Interrupt Status Register (MIS)	27-26
27.2.2.14 Interrupt Clear Register (IC)	27-27

Chapter 28 – Keyboard and Mouse Interface

28.1 Theory of Operation	28-2
28.1.1 Keyboard Clock and Data Signals.....	28-3
28.1.1.1 Data Sent from the Keyboard/Mouse	28-3
28.1.1.2 Data Sent to the Keyboard	28-4
28.2 Register Reference	28-4
28.2.1 Memory Map	28-4
28.2.2 Register Descriptions	28-5
28.2.2.1 KMI Control Register (KMICR)	28-5
28.2.2.2 KMI Status Register (KMISTAT).....	28-6
28.2.2.3 KMI Data Register (KMIDATA).....	28-7
28.2.2.4 Clock Divisor Register (CLKDIV).....	28-8
28.2.2.5 KMI Interrupt Status Register (ISR).....	28-9

Chapter 29 – Glossary

List of Figures

Preface

Figure 1. Multiplexer.....	xliv
Figure 2. Register with Bit-Field Named.....	xlv
Figure 3. Register with Multiple Bit-Fields Named	xlv
Figure 4. Register with Bit-Field Numbered	xlv

Chapter 2 – System Overview

Figure 2-1. LH7A404 Block Diagram.....	2-3
--	-----

Chapter 3 – Core and Data Paths

Figure 3-1. LH7A404 ARM Core and Memory Interfaces	3-1
Figure 3-2. ARM9TDMI Core Organization	3-3
Figure 3-3. Memory Controller Address Range.....	3-5
Figure 3-4. AHB Masters and Slaves	3-9
Figure 3-5. LH7A404 External Memory Interface.....	3-10
Figure 3-6. Standard Mode Clocking.....	3-12
Figure 3-7. Fastbus Mode Clocking	3-13

Chapter 4 – Boot ROM

Figure 4-1. Recommended Connection to NAND Flash	4-3
--	-----

Chapter 5 – Static Memory Controller (SMC)

Figure 5-1. SMC Block Diagram.....	5-1
Figure 5-2. CompactFlash Single Card Example (PC12EN = 01)	5-6
Figure 5-3. PCMCIA and CompactFlash Dual Card Example (PC12EN = 11)	5-7
Figure 5-4. Memory Banks Constructed from 8-bit Memory	5-12
Figure 5-5. SMC Timing Showing nWAIT Delay	5-16

Chapter 6 – Synchronous Dynamic Memory Controller

Figure 6-1. SDMC and EBI Block Diagram	6-1
Figure 6-2. SDRAM Device Interfacing	6-7
Figure 6-3. Memory Mapping for nSCS3 and nCS0 Boot Sources	6-33

Chapter 7 – Clock and State Controller (CSC)

Figure 7-1. Clock Generation	7-1
Figure 7-2. Clock Signal Derivation.....	7-3
Figure 7-3. State Transition Diagram	7-6

Chapter 8 – Pin and Signal Multiplexing

Figure 8-1. LH7A404 Multiplexing Block Diagram.....	8-1
---	-----

Chapter 9 – Vectored Interrupt Controller (VIC)

Figure 9-1. VIC System Block Diagram.....	9-1
---	-----

Chapter 10 – Direct Memory Access (DMA) Controller

Figure 10-1. DMA Controller Block Diagram	10-3
Figure 10-2. Peripheral DMA Interface Receive Timing.....	10-4
Figure 10-3. Peripheral DMA Interface Transmit Timing.....	10-5
Figure 10-4. Edge-Triggered DREQ Mode.....	10-9
Figure 10-5. DMA M2P Finite State Machine.....	10-11

Chapter 11 – Color LCD Controller

Figure 11-1. LCD Controller Block Diagram.....	11-1
Figure 11-2. Block Diagram of a Typical Advanced LCD Panel.....	11-2
Figure 11-3. Color LCD Controller Simplified Block Diagram.....	11-4
Figure 11-4. Large Frame Buffer Overflow Example.....	11-5
Figure 11-5. LCDDCLK Clock Generation	11-13
Figure 11-6. LCD Panel Power Sequencing	11-16
Figure 11-7. ALI Simplified Block Diagram.....	11-18
Figure 11-8. STN Horizontal Timing Diagram	11-44
Figure 11-9. STN Vertical Timing Diagram	11-45
Figure 11-10. TFT Horizontal Timing Diagram.....	11-46
Figure 11-11. TFT Vertical Timing Diagram.....	11-47
Figure 11-12. AD-TFT and HR-TFT Horizontal Timing Diagram.....	11-48
Figure 11-13. AD-TFT and HR-TFT Vertical Timing Diagram.....	11-49

Chapter 14 – Real Time Clock (RTC)

Figure 14-1. RTC Interrupt Timing	14-2
---	------

Chapter 15 – Synchronous Serial Port (SSP)

Figure 15-1. Texas Instruments Synchronous Serial Frame Format (Single Transfer).....	15-3
Figure 15-2. Texas Instruments Synchronous Serial Frame Format (Continuous Transfer)	15-4
Figure 15-3. Motorola SPI Frame Format (Single Transfer) with SPO = 0 and SPH = 0.....	15-4
Figure 15-4. Motorola SPI Frame Format (Continuous Transfer) with SPO = 0 and SPH = 0.....	15-5
Figure 15-5. Motorola SPI Frame Format (Single Transfer) with SPO = 0 and SPH = 1	15-5
Figure 15-6. Motorola SPI Frame Format (Continuous Transfer) with SPO = 0 and SPH = 1	15-5
Figure 15-7. Motorola SPI Frame Format (Continuous Transfer) with SPO = 1 and SPH = 1	15-5
Figure 15-8. Motorola SPI Frame Format (Single Transfer) with SPO = 1 and SPH = 0.....	15-6
Figure 15-9. Motorola SPI Frame Format (Continuous Transfer) with SPO = 1 and SPH = 0.....	15-6
Figure 15-10. Motorola SPI Frame Format (Single Transfer) with SPO = 1 And SPH = 1	15-6
Figure 15-11. National Semiconductor MICROWIRE Format (Single Transfer)	15-7
Figure 15-12. National Semiconductor MICROWIRE Format (Continuous Transfer)	15-7

Chapter 16 – Universal Asynchronous Receiver/Transmitter (UART)	
Figure 16-1. UART1 Block Diagram.....	16-2
Figure 16-2. UART2 Modem Operation	16-3
Figure 16-3. UART3 Modem Operation	16-4
Figure 16-4. UART Data Frame	16-5
Figure 16-5. Infrared Pulse Timing.....	16-9
Figure 16-6. UART1 Interrupt Generation.....	16-16
Figure 16-7. UART2 and UART3 Interrupt Generation	16-17
Chapter 17 – GPIO and External Interrupts	
Figure 17-1. External Interrupt Configuration.....	17-4
Chapter 18 – Secure Digital (SD) and MultiMediaCard (MMC) Controller	
Figure 18-1. Stream Mode Data Transfer	18-8
Figure 18-2. Single Block Mode Data Transfers	18-8
Figure 18-3. Multiple Block Mode Data Transfer.....	18-9
Figure 18-4. Byte Order For the Response FIFO Register	18-37
Chapter 19 – Universal Serial Bus (USB) Device	
Figure 19-1. USB Device Block Diagram	19-1
Figure 19-2. USB Communication Endpoints.....	19-2
Figure 19-3. Host-Device Application Circuit.....	19-5
Chapter 20 – USB Host Controller	
Figure 20-1. USB Host Controller Block Diagram	20-1
Figure 20-2. USB Host Controller State Diagram.....	20-3
Figure 20-3. Frame Bandwidth Allocation	20-5
Figure 20-4. USB Communication Endpoints.....	20-6
Figure 20-5. Endpoint Descriptor Logic.....	20-7
Chapter 21 – AC97 Controller	
Figure 21-1. AC97 Block Diagram.....	21-1
Figure 21-2. AC-Link Data Stream	21-2
Figure 21-3. Block Diagram of One Channel	21-4
Figure 21-4. AC97 Link Connections	21-8
Figure 21-5. AC97 Bidirectional Audio Frame.....	21-9
Figure 21-6. Start of Audio Frame Output.....	21-9
Figure 21-7. Start of Audio Frame Input.....	21-14
Figure 21-8. Cold Reset Timing	21-18
Figure 21-9. Warm Reset Timing	21-19
Chapter 23 – Battery Monitor Interface (BMI)	
Figure 23-1. SWI Data Bit Frame Protocol.....	23-2
Figure 23-2. SWI Data Bit Frame for a 0 Data Value	23-3
Figure 23-3. SWI Data Bit Frame for a 1 Data Value	23-3
Figure 23-4. SWI Three Bit Data Bit Frame for a 010 Data Stream	23-3
Figure 23-5. SMBus Arbitration	23-8
Figure 23-6. SMBus Start and Stop Conditions	23-10
Figure 23-7. SMBus Data Transfer	23-10
Figure 23-8. Start-Data-Stop Sequence.....	23-10
Figure 23-9. SMBus ACK and NACK.....	23-15

Figure 23-10. SMBus Clock LOW Extending	23-16
Figure 23-11. SMBus Synchronization.....	23-17
Figure 23-12. Quick Command Protocol	23-19
Figure 23-13. Send Byte Protocols	23-19
Figure 23-14. Receive Byte Protocols.....	23-20
Figure 23-15. Write Byte and Write Word Protocols	23-21
Figure 23-16. Read Byte and Read Word Protocols	23-22
Figure 23-17. Process Call Protocols.....	23-23
Figure 23-18. Block Read Protocol	23-24
Figure 23-19. Block Write Protocol.....	23-24
Figure 23-20. Modified Write Word Protocol	23-25
Chapter 24 – Direct Current to Direct Current (DC-DC) Converter Interface	
Figure 24-1. DC-DC Converter Interface Functional Diagram	24-2
Figure 24-2. Complete DC-DC Converter	24-4
Chapter 25 – Pulse Width Modulator (PWM)	
Figure 25-1. Functional Block Diagram	25-2
Figure 25-2. INVx Example	25-7
Chapter 27 – Analog-to-Digital Converter/Brownout Detector	
Figure 27-1. ADC Block Diagram	27-2
Figure 27-2. Bias-and-Control Network Block Diagram	27-4
Figure 27-3. Use of the BATCNTL Pin	27-5
Figure 27-4. Simplified N-bit SAR Architecture	27-6
Figure 27-5. Example of a 4-bit SAR ADC Operation	27-7
Chapter 28 – Keyboard and Mouse Interface	
Figure 28-1. KMI Block Diagram	28-2

List of Tables

Preface

Table 1. Register Name	0-xliii
Table 2. Bit Fields.....	0-xliii

Chapter 3 – Core and Data Paths

Table 3-1. Boot Mode Signals	3-6
Table 3-2. AHB Blocks	3-9
Table 3-3. Clocking Mode Comparisons	3-11
Table 3-4. APB Peripheral Address Map	3-14

Chapter 4 – Boot ROM

Table 4-1. Boot Modes	4-2
Table 4-2. NAND Flash Electrical Connections.....	4-3
Table 4-3. Boot Log Memory Map.....	4-5
Table 4-4. BOOTCLR Register	4-6
Table 4-5. BOOTCLR Bit Fields	4-6

Chapter 5 – Static Memory Controller (SMC)

Table 5-1. SMC Multiplexing	5-4
Table 5-2. PC Card Signal Multiplexing	5-8
Table 5-3. SMC Memory Bank Selection	5-9
Table 5-4. PC Card Address Space	5-10
Table 5-5. SMC Byte Lane Write Control	5-11
Table 5-6. PC Card Access Enable.....	5-11
Table 5-7. SMC Memory Map	5-17
Table 5-8. BCRx Registers.....	5-18
Table 5-9. BCRx Fields	5-19
Table 5-10. PCxATTRIB Registers	5-20
Table 5-11. PCxATTRIB Fields	5-20
Table 5-12. PCxCOM Registers.....	5-21
Table 5-13. PCxCOM Fields	5-21
Table 5-14. PCxIO Registers	5-22
Table 5-15. PCxIO Fields	5-22
Table 5-16. PCMCIA CON Register.....	5-23
Table 5-17. PCMCIA CON Fields.....	5-23

Chapter 6 – Synchronous Dynamic Memory Controller

Table 6-1. SDMC Control Signals	6-5
Table 6-2. SDRAM Clock Enable Multiplexing	6-6
Table 6-3. Address Line Multiplexing	6-6
Table 6-4. Chip Select Address Coding	6-8
Table 6-5. Memory System Examples	6-9
Table 6-7. Address Mapping for 256 Mbit SDRAM	6-10
Table 6-6. Synchronous Memory Address Decoding.....	6-10
Table 6-8. Address Ranges for 32-bit-wide Devices	6-11
Table 6-9. Address Ranges for 16-bit-wide Devices	6-13

Table 6-10. Mode Register Command Coding for 32-bit External Systems.....	6-18
Table 6-11. Synchronous Memory Command Word CAS Coding and SDCSCx CAS Latency Programming	6-18
Table 6-12. Synchronous Memory RAS and Write Burst Length Coding.....	6-19
Table 6-13. Burst Length for SDRAM and SFLASH.....	6-19
Table 6-14. Burst Length for SRAM.....	6-19
Table 6-15. Read Addresses and Parameters for 32-bit External Devices.....	6-19
Table 6-16. Read Addresses and Parameters for 16-bit External Devices.....	6-20
Table 6-17. Boot Mode Signal Values.....	6-24
Table 6-18. SDRAM Controller Memory Map.....	6-25
Table 6-19. SDCSC[3:0] Registers	6-26
Table 6-20. SDCSC[3:0] Fields	6-27
Table 6-21. GBLCNFG Register	6-29
Table 6-22. GBLCNFG Fields	6-29
Table 6-23. Synchronous Memory Command Encoding.....	6-30
Table 6-24. RFSHTMR Register	6-31
Table 6-25. RFSHTMR Fields	6-31
Table 6-26. BOOTSTAT Register	6-32
Table 6-27. BOOTSTAT Fields	6-32

Chapter 7 – Clock and State Controller (CSC)

Table 7-1. FCLK and HCLK Frequency Settings for CLKSET Register.....	7-4
Table 7-2. Peripheral Primary Clock Inputs.....	7-5
Table 7-3. Effect of nEXTPWR and BATOK on Standby to Run Transition.....	7-8
Table 7-4. Clock and State Controller Memory Map	7-10
Table 7-5. PWRSR Register	7-11
Table 7-6. PWRSR Bit Fields	7-11
Table 7-7. PWRCNT Register	7-13
Table 7-8. PWRCNT Fields.....	7-13
Table 7-9. HALT and STBY Registers	7-15
Table 7-10. HALT Field	7-15
Table 7-11. STBY Field.....	7-15
Table 7-12. BLEOI, MCEOI, TEOI and STRCLR Registers.....	7-16
Table 7-13. BLEOI Fields.....	7-16
Table 7-14. MCEOI Fields.....	7-16
Table 7-15. TEOI Fields	7-16
Table 7-16. STFCLR Fields.....	7-16
Table 7-17. CLKSET Register.....	7-17
Table 7-18. CLKSET Fields.....	7-17
Table 7-19. FCLK and HCLK Frequency Settings for CLKSET Register.....	7-19
Table 7-20. SCRREG[1:0] Registers.....	7-20
Table 7-21. SCRREG[1:0] Fields	7-20
Table 7-22. USBDRESET Register Description.....	7-21
Table 7-23. USBDRESET Fields.....	7-21
Table 7-24. BMAR Register	7-22
Table 7-25. BMAR Fields	7-22
Table 7-26. PRIORITY Field Definition	7-22
Table 7-27. BOOTCLR Register	7-23
Table 7-28. BOOTCLR Fields	7-23

Chapter 8 – Pin and Signal Multiplexing

Table 8-1. GPIO Port F External Interrupt Multiplexing.....	8-2
Table 8-2. UART Multiplexing	8-3
Table 8-3. Memory and MMC Multiplexing.....	8-4
Table 8-4. PC Card Enable Fields.....	8-5
Table 8-5. LCD Controller Pins	8-6
Table 8-6. CLCDC Mode Configuration	8-7
Table 8-7. SCI Multiplexing	8-8
Table 8-8. BMI Multiplexing.....	8-8

Chapter 9 – Vectored Interrupt Controller (VIC)

Table 9-1. LH7A404 Interrupt Hierarchy, Ordered by Priority	9-2
Table 9-2. VIC Interrupt Assignments	9-3
Table 9-3. VIC Register Memory Map.....	9-5
Table 9-4. IRQSTATUS1 Register	9-7
Table 9-5. IRQSTATUS1 Fields	9-7
Table 9-6. IRQSTATUS2 Register	9-10
Table 9-7. IRQSTATUS2 Fields	9-10
Table 9-8. FIQSTATUS1 Register.....	9-13
Table 9-9. FIQSTATUS1 Fields	9-13
Table 9-10. FIQSTATUS2 Register.....	9-16
Table 9-11. FIQSTATUS2 Fields	9-16
Table 9-12. RAWINTR1 Register	9-19
Table 9-13. RAWINTR1 Fields.....	9-19
Table 9-14. RAWINTR2 Register	9-21
Table 9-15. RAWINTR2 Fields.....	9-22
Table 9-16. INTSEL1 Register	9-25
Table 9-17. INTSEL2 Register	9-25
Table 9-18. INTSEL1 and INTSEL2 Fields	9-25
Table 9-19. INTEN1 Register	9-26
Table 9-20. INTEN2 Register	9-26
Table 9-21. INTEN1 and INTEN2 Fields	9-26
Table 9-22. INTENCLR1 Register.....	9-27
Table 9-23. INTENCLR2 Register.....	9-27
Table 9-24. INTENCLR1 and INTENCLR2 Fields.....	9-27
Table 9-25. SOFTINT1 Register	9-28
Table 9-26. SOFTINT2 Register	9-28
Table 9-27. SOFTINT1 and SOFTINT2 Fields.....	9-28
Table 9-28. SOFTINTCLR1 Register	9-29
Table 9-29. SOFTINTCLR2 Register	9-29
Table 9-30. SOFTINTCLR1 and SOFTINTCLR2 Fields	9-29
Table 9-31. VECTADDR1 and VECTADDR2 Registers	9-30
Table 9-32. VECTADDR1 and VECTADDR2 Fields.....	9-30
Table 9-33. NVADDR1 and NVADDR2 Registers.....	9-31
Table 9-34. NVADDR1 and NVADDR2 Fields	9-31
Table 9-35. VAD1[15:0] and VAD2[15:0] Registers	9-32
Table 9-36. VAD1[15:0] and VAD2[15:0] Fields.....	9-32
Table 9-37. VAD1[15:0] and VAD2[15:0] Register Addresses	9-33

Table 9-38. VECTCNTL1[15:0] and VECTCNTL2[15:0] Registers	9-34
Table 9-39. VECTCNTL1[15:0] and VECTCNTL2[15:0] Fields.....	9-34
Table 9-40. VECTCNTL1[15:0] and VECTCNTL2[15:0] Addresses	9-35
Table 9-41. ITCR1 and ITCR2 Registers	9-36
Table 9-42. ITCR1 and ITCR2 Fields.....	9-36
Table 9-43. ITIP1 Register	9-37
Table 9-44. ITIP1 Fields	9-37
Table 9-45. ITIP2 Register	9-38
Table 9-46. ITIP2 Fields	9-38
Table 9-47. ITOP1 Register	9-39
Table 9-48. ITOP1 Fields	9-39
Table 9-49. ITOP2 Register	9-40
Table 9-50. ITOP2 Fields	9-40

Chapter 10 – Direct Memory Access (DMA) Controller

Table 10-1. Data Transfer Size	10-10
Table 10-2. DMA Memory Map	10-13
Table 10-3. Internal M2P/P2M Channel Register Map.....	10-14
Table 10-4. GCA Register	10-14
Table 10-5. GCA Fields.....	10-14
Table 10-6. GIR Register	10-15
Table 10-7. GIR Fields	10-15
Table 10-8. Internal M2P/P2M Channel Register Map.....	10-17
Table 10-9. PCONTROL Registers	10-18
Table 10-10. PCONTROL Fields.....	10-18
Table 10-11. PINTERRUPT Register	10-20
Table 10-12. PINTERRUPT Fields.....	10-20
Table 10-13. PPALLOC Register	10-21
Table 10-14. PPALLOC Fields	10-21
Table 10-15. IPPALLOC Register Bits for Transmit Channels (0, 2, 4, 6, and 8) ..	10-22
Table 10-16. PCONTROL Register PPALLOC Bits for Receive Channels (1, 3, 5, 7, 9).....	10-22
Table 10-17. PPALLOC Register Reset Values.....	10-22
Table 10-18. PSTATUS Register	10-23
Table 10-19. PSTATUS Fields	10-23
Table 10-20. REMAIN Register.....	10-25
Table 10-21. REMAIN Fields.....	10-25
Table 10-22. MAXCNTx Registers	10-26
Table 10-23. MAXCNTx Fields.....	10-26
Table 10-24. BASEx Registers.....	10-27
Table 10-25. BASEx Fields	10-27
Table 10-26. CURRENTx Registers.....	10-28
Table 10-27. CURRENTx Fields	10-28
Table 10-28. M2M Channel Register Map	10-29
Table 10-29. M2M Channel Register Base Addresses	10-29
Table 10-30. MCONTROL Register	10-30
Table 10-31. MCONTROL Fields	10-30
Table 10-32. BWC Values.....	10-33

Table 10-33. MINTERRUPT Register	10-34
Table 10-34. MINTERRUPT Fields	10-34
Table 10-35. MSTATUS Register.....	10-35
Table 10-36. MSTATUS Fields	10-35
Table 10-37. BCRx Registers.....	10-38
Table 10-38. BCRx Fields	10-38
Table 10-39. SAR_BASEx Registers	10-39
Table 10-40. SAR_BASEx Fields.....	10-39
Table 10-41. SAR_CURRENTx Registers	10-40
Table 10-42. SAR_CURRENTx Fields.....	10-40
Table 10-43. DAR_BASEx Registers	10-41
Table 10-44. DAR_BASEx Fields.....	10-41
Table 10-45. DAR_CURRENTx Registers.....	10-42
Table 10-46. DAR_CURRENTx Fields.....	10-42

Chapter 11 – Color LCD Controller

Table 11-1. 16 BPP Direct, 5:5:5 + Intensity, BGR = 0	11-8
Table 11-2. 16 BPP Direct, 5:6:5, BGR = 0 (TFT Only; includes AD-TFT and HR-TFT)	11-8
Table 11-3. Pixel Display Arrangement.....	11-9
Table 11-4. Frame Buffer Pixel Storage Format, Bits [31:16]	11-9
Table 11-5. Frame Buffer Pixel Storage Format, Bits [15:0]	11-9
Table 11-6. Supported TFT, AD-TFT, and HR-TFT LCD Panels	11-10
Table 11-7. Supported Color STN LCD Panels.....	11-11
Table 11-8. Supported Mono-STN LCD Panels.....	11-11
Table 11-9. Color STN Intensities From Grayscale Modulation	11-11
Table 11-10. LCD Controller Pins	11-12
Table 11-11. Usable Minimum Values Affecting STN Back Porch Width.....	11-14
Table 11-12. CLCDC Register Summary	11-20
Table 11-13. TIMING0 Register	11-21
Table 11-14. TIMING0 Fields	11-21
Table 11-15. TIMING1 Register	11-22
Table 11-16. TIMING1 Fields	11-22
Table 11-17. TIMING2 Register	11-24
Table 11-18. TIMING2 Fields	11-24
Table 11-19. TIMING2:PCD Restrictions in STN Modes	11-25
Table 11-20. UPBASE Register	11-26
Table 11-21. UPBASE Fields	11-26
Table 11-22. LPBASE Register.....	11-27
Table 11-23. LPBASE Register Bit Fields	11-27
Table 11-24. INTREN Register	11-28
Table 11-25. INTREN Fields	11-28
Table 11-26. CONTROL Register	11-29
Table 11-27. CONTROL Fields	11-30
Table 11-28. STATUS Register.....	11-32
Table 11-29. STATUS Fields	11-32
Table 11-30. INTERRUPT Register	11-33
Table 11-31. INTERRUPT Fields	11-33

Table 11-32. UPCUR Register	11-34
Table 11-33. UPCUR Register Bit Fields	11-34
Table 11-34. LPCUR Register.....	11-35
Table 11-35. LPCUR Fields	11-35
Table 11-36. OVERFLOW Register	11-36
Table 11-37. OVERFLOW Fields	11-36
Table 11-38. PALETTE Registers	11-37
Table 11-39. PALETTE Register Bit Fields, BGR = 0, 5:5:5 + Intensity TFT	11-37
Table 11-40. PALETTE Register Bit Fields, BGR = 0, 5:6:5 TFT	11-38
Table 11-41. Register Summary	11-38
Table 11-42. ALISETUP Register	11-39
Table 11-43. ALISETUP Register Bits	11-39
Table 11-44. ALICONTROL Register.....	11-40
Table 11-45. ALICONTROL Register Bit Fields.....	11-40
Table 11-46. ALITIMING1 Register.....	11-41
Table 11-47. ALITIMING1 Bits	11-41
Table 11-48. ALITIMING2 Register.....	11-42
Table 11-49. ALITIMING2 Fields.....	11-42

Chapter 12 – Timers

Table 12-1. Timers Memory Map	12-2
Table 12-2. LOADx Registers	12-3
Table 12-3. LOADx Fields	12-3
Table 12-4. VALUEx Registers	12-4
Table 12-5. VALUEx Fields	12-4
Table 12-6. TCEOIx Registers	12-5
Table 12-7. TCEOIx Fields.....	12-5
Table 12-8. CONTROL[2:1] Registers	12-6
Table 12-9. CONTROL[2:1] Fields	12-6
Table 12-10. CONTROL3 Register	12-7
Table 12-11. CONTROL3 Fields	12-7
Table 12-12. BZCON Register	12-8
Table 12-13. BZCON Fields	12-8
Table 12-14. BUZ Operation	12-8

Chapter 13 – Watchdog Timer (WDT)

Table 13-1. Watchdog Timer Memory Map.....	13-3
Table 13-2. CTL Register	13-4
Table 13-3. CTL Fields.....	13-4
Table 13-4. RST Description	13-5
Table 13-5. RST Field	13-5
Table 13-6. STATUS Description	13-6
Table 13-7. STATUS Fields	13-6
Table 13-8. COUNTx Description (Except COUNT2)	13-7
Table 13-9. COUNTx Fields (Except COUNT2).....	13-7
Table 13-10. COUNT2 Description	13-7
Table 13-11. COUNT2 Fields.....	13-7

Chapter 14 – Real Time Clock (RTC)

Table 14-1. RTC Register Summary	14-2
Table 14-2. RTCDR Register	14-3
Table 14-3. RTCDR Field	14-3
Table 14-4. RTCLR Register	14-4
Table 14-5. RTCLR Field	14-4
Table 14-6. RTCMR Register	14-5
Table 14-7. RTCMR Field	14-5
Table 14-8. RTCSTAT Register	14-6
Table 14-9. RTCSTAT Fields	14-6
Table 14-10. RTCEOI Register	14-7
Table 14-11. RTCEOI Fields	14-7
Table 14-12. RTCCR Register	14-8
Table 14-13. RTCCR Fields	14-8

Chapter 15 – Synchronous Serial Port (SSP)

Table 15-1. SSP Interrupts	15-2
Table 15-2. SSP Register Memory Map	15-8
Table 15-3. CR0 Register	15-9
Table 15-4. CR0 Fields	15-9
Table 15-5. CR1 Register	15-11
Table 15-6. CR1 Fields	15-11
Table 15-7. SPO and SPH Definition	15-12
Table 15-8. IIR Register	15-13
Table 15-9. IIR Fields	15-13
Table 15-10. RXEOI Register	15-14
Table 15-11. RXEOI Fields	15-14
Table 15-12. DR Register	15-15
Table 15-13. DR Fields	15-15
Table 15-14. CPR Register	15-16
Table 15-15. CPR Fields	15-16
Table 15-16. SR Register	15-17
Table 15-17. SR Register description	15-17

Chapter 16 – Universal Asynchronous Receiver/Transmitter (UART)

Table 16-1. Data Size and Location	16-8
Table 16-2. Example Baud Rates and BAUDDIV Values	16-9
Table 16-3. Modem Status Inputs	16-14
Table 16-4. UART Register Memory Map	16-19
Table 16-5. DATA Register as Used for Receive Operation	16-20
Table 16-6. DATA Register as Used for Transmit Operation	16-20
Table 16-7. DATA Fields	16-21
Table 16-8. FCON Register	16-22
Table 16-9. FCON Fields	16-22
Table 16-10. BRCON Register	16-23
Table 16-11. BRCON Fields	16-23
Table 16-12. Example Baud Rates and BAUDDIV Values	16-23
Table 16-13. CONx Register	16-24

Table 16-14. CONx Fields.....	16-24
Table 16-15. STATUS Register.....	16-26
Table 16-16. STATUS Fields	16-26
Table 16-17. RAWISR Register, Write.....	16-27
Table 16-18. RAWISR Register, Read.....	16-27
Table 16-19. RAWISR Fields	16-28
Table 16-20. INTEN Register	16-29
Table 16-21. INTEN Fields.....	16-29
Table 16-22. MISR Register.....	16-30
Table 16-23. MISR Fields.....	16-30
Table 16-24. RES Register	16-31
Table 16-25. RES Fields	16-31
Table 16-26. EIC Register.....	16-32
Table 16-27. EIC Fields.....	16-32
Table 16-28. DMACR Register.....	16-33
Table 16-29. DMACR Fields	16-33

Chapter 17 – GPIO and External Interrupts

Table 17-1. GPIO Multiplexing by Function.....	17-1
Table 17-2. GPIO Port Configuration after Reset.....	17-2
Table 17-3. External Interrupt and Interrupt Controller Correspondence	17-3
Table 17-4. GPIO Port F Pin Names, Numbers, and Register Bit Positions	17-6
Table 17-5. GPIO Register Memory Map.....	17-8
Table 17-6. P[A:H]D	17-9
Table 17-7. P[A:H]D	17-9
Table 17-8. P[A:H]PD.....	17-10
Table 17-9. P[A:H]PD.....	17-10
Table 17-10. GPIO Pin Data Directions	17-11
Table 17-11. P[A:H]DD Registers (except for PEDD)	17-12
Table 17-12. PyDD Fields for Ports A, B, F, and H.....	17-12
Table 17-13. PyDD Fields for Ports C, D, and G.....	17-13
Table 17-14. PEDD Register.....	17-14
Table 17-15. PEDD Fields.....	17-14
Table 17-16. KBDCTL Register.....	17-15
Table 17-17. KBDCTL Fields	17-15
Table 17-18. CSTATE VALUES.....	17-15
Table 17-19. PINMUX Multiplexing Control.....	17-16
Table 17-20. UART Multiplexing	17-16
Table 17-21. PINMUX Register.....	17-17
Table 17-22. PINMUX Fields.....	17-17
Table 17-23. INTTYPE1	17-18
Table 17-24. INTTYPE1 Fields	17-19
Table 17-25. INTTYPE2	17-20
Table 17-26. INTTYPE2 Fields	17-20
Table 17-27. GPIOFEOI.....	17-21
Table 17-28. GPIOFEOI Fields	17-21
Table 17-29. GPIOINTEN	17-22
Table 17-30. GPIOINTEN Fields.....	17-22

Table 17-31. INTSTATUS	17-23
Table 17-32. INTSTATUS Fields.....	17-23
Table 17-33. RAWINTSTATUS.....	17-24
Table 17-34. RAWINTSTATUS Fields	17-24
Table 17-35. GPIODB	17-25
Table 17-36. GPIODB Fields.....	17-25

Chapter 18 – Secure Digital (SD) and MultiMediaCard (MMC) Controller

Table 18-1. MMCCLK_PREDIV	18-5
Table 18-2. MMCCLK Frequency.....	18-5
Table 18-3. Error Detection	18-15
Table 18-4. MMC Interrupts	18-16
Table 18-5. SD/MMC Memory Map.....	18-22
Table 18-6. CLKC Register	18-23
Table 18-7. CLKC Fields	18-23
Table 18-8. STATUS Register.....	18-24
Table 18-9. STATUS Fields	18-24
Table 18-10. RATE Register	18-26
Table 18-11. RATE Fields	18-26
Table 18-12. PREDIV Register	18-27
Table 18-13. PREDIV Fields	18-27
Table 18-14. CMDCON Register.....	18-28
Table 18-15. CMDCON Fields	18-28
Table 18-16. RESPONSE_FORMAT Values	18-29
Table 18-17. RES_TO Register	18-30
Table 18-18. RES_TO Fields	18-30
Table 18-19. READ_TO Register.....	18-30
Table 18-20. READ_TO Fields.....	18-30
Table 18-21. BLK_LEN Register	18-31
Table 18-22. BLK_LEN Fields.....	18-31
Table 18-23. NOB Register	18-32
Table 18-24. NOB Fields.....	18-32
Table 18-25. INT_STATUS Register.....	18-33
Table 18-26. SD/MMC INT_STATUS Register	18-33
Table 18-27. EOI Register.....	18-34
Table 18-28. SD/MMC EOI Fields.....	18-34
Table 18-29. INT_MASK Register.....	18-35
Table 18-30. INT_MASK Fields.....	18-35
Table 18-31. CMD Register.....	18-36
Table 18-32. CMD Fields	18-36
Table 18-33. ARGUMENT Register	18-36
Table 18-34. ARGUMENT Fields	18-36
Table 18-35. RES_FIFO Register	18-37
Table 18-36. RES_FIFO Fields	18-37
Table 18-37. Data FIFO Register	18-38
Table 18-38. Data FIFO Fields.....	18-38

Chapter 19 – Universal Serial Bus (USB) Device

Table 19-1. Endpoint Function	19-2
Table 19-2. Endpoint FIFO Characteristics	19-3
Table 19-3. USB Non-indexed Control Register Memory Map	19-10
Table 19-4. USB Indexed Control Register Memory Map	19-11
Table 19-5. USB FIFO Register Memory Map	19-11
Table 19-6. USBDRESET Register.....	19-12
Table 19-7. USBDRESET Fields.....	19-12
Table 19-8. FAR Register.....	19-13
Table 19-9. FAR Fields	19-13
Table 19-10. PMR Register.....	19-14
Table 19-11. PMR Bit Fields	19-14
Table 19-12. IIR Register	19-15
Table 19-13. IIR Fields	19-15
Table 19-14. OIR Register	19-16
Table 19-15. OIR Fields	19-16
Table 19-16. UIR Register.....	19-17
Table 19-17. UIR Fields	19-17
Table 19-18. IIE Register	19-18
Table 19-19. IIE Fields	19-18
Table 19-20. OIE Register.....	19-19
Table 19-21. OIE Fields	19-19
Table 19-22. UIE Register.....	19-20
Table 19-23. UIE Fields.....	19-20
Table 19-24. FRAME1 Register	19-21
Table 19-25. FRAME2 Register	19-21
Table 19-26. FRAME1 Fields	19-21
Table 19-27. FRAME2 Fields	19-21
Table 19-28. INDEX Register.....	19-22
Table 19-29. INDEX Fields.....	19-22
Table 19-30. INMAXP/OUTMAXP Register	19-23
Table 19-31. INMAXP/OUTMAXP Fields.....	19-23
Table 19-32. INCSR1 Register.....	19-24
Table 19-33. INCSR1 Fields	19-24
Table 19-34. INCSR2	19-26
Table 19-35. INCSR2 Register Fields	19-26
Table 19-36. OUTCSR1	19-27
Table 19-37. OUTCSR1 Register Fields.....	19-27
Table 19-38. OUTCSR2	19-29
Table 19-39. OUTCSR2 Register Fields	19-29
Table 19-40. EP0CSR Register	19-30
Table 19-41. EP0CSR Fields	19-30
Table 19-42. COUNT1 Registers	19-32
Table 19-43. COUNT1 Fields.....	19-32

Chapter 20 – USB Host Controller

Table 20-1. Endpoint Descriptor Data Structure	20-8
Table 20-2. Endpoint Descriptor Fields	20-8
Table 20-3. General Transfer Descriptor Data Structure	20-10
Table 20-4. General Transfer Descriptor Fields	20-11
Table 20-5. Isochronous Transfer Descriptor Data Structure.....	20-12
Table 20-6. Isochronous Transfer Fields.....	20-13
Table 20-7. Condition Code Values	20-14
Table 20-8. HCCA Format.....	20-16
Table 20-9. USB Host Controller Registers.....	20-17
Table 20-10. HcRevision Register.....	20-18
Table 20-11. HcRevision Fields	20-18
Table 20-12. HcControl Register.....	20-19
Table 20-13. HcControl Fields.....	20-19
Table 20-14. HcCommandStatus Register.....	20-21
Table 20-15. HcCommandStatus Fields	20-21
Table 20-16. HcInterruptStatus Register.....	20-22
Table 20-17. HcInterruptStatus Fields.....	20-22
Table 20-18. HcInterruptEnable Register.....	20-24
Table 20-19. HcInterruptEnable Fields.....	20-24
Table 20-20. HcInterruptDisable Register	20-25
Table 20-21. HcInterruptDisable Fields.....	20-25
Table 20-22. HcHCCA Register	20-26
Table 20-23. HcHCCA Fields	20-26
Table 20-24. HcPeriodCurrent Register	20-26
Table 20-25. HcPeriodCurrent Fields.....	20-26
Table 20-26. HcControlHeadED Register	20-27
Table 20-27. HcControlHeadED Fields	20-27
Table 20-28. HcControlCurrentED Register.....	20-27
Table 20-29. HcControlCurrentED Fields.....	20-27
Table 20-30. HcBulkHeadED Register.....	20-28
Table 20-31. HcBulkHeadED Fields.....	20-28
Table 20-32. HcBulkCurrentED Register	20-28
Table 20-33. HcBulkCurrentED Fields	20-28
Table 20-34. HcDoneHead Register	20-29
Table 20-35. HcDoneHead Fields	20-29
Table 20-36. HcFmInterval Register	20-30
Table 20-37. HcFmInterval Fields	20-30
Table 20-38. HcFmRemaining Register.....	20-31
Table 20-39. HcFmRemaining Fields.....	20-31
Table 20-40. HcFmNumber Register	20-31
Table 20-41. HcFmNumber Fields	20-31
Table 20-42. HcPeriodicStart Register.....	20-32
Table 20-43. HcPeriodicStart Fields.....	20-32
Table 20-44. HcLSThreshold Register	20-32
Table 20-45. HcLSThreshold Fields.....	20-32
Table 20-46. HcRhDescriptorA Register	20-33

Table 20-47. HcRhDescriptorA Fields.....	20-33
Table 20-48. HcRhDescriptorB Register.....	20-34
Table 20-49. HcRhDescriptorB Fields.....	20-34
Table 20-50. HcRhStatus Register.....	20-35
Table 20-51. HcRhStatus Fields.....	20-35
Table 20-52. HcRhPortStatus[2:1] Register.....	20-36
Table 20-53. HcRhPortStatus[2:1] Fields.....	20-36

Chapter 21 – AC97 Controller

Table 21-1. Outgoing Slot Definitions.....	21-2
Table 21-2. Incoming Slot Definitions.....	21-3
Table 21-3. Slot 0 Output Bit Definitions.....	21-10
Table 21-4. Slot 1 Output Bit Definitions.....	21-10
Table 21-5. Slot 2 Output Bit Definitions.....	21-11
Table 21-6. Slot 3 Output Bit Definitions.....	21-11
Table 21-7. Slot 4 Output Bit Definitions.....	21-11
Table 21-8. Slot 5 Output Bit Definitions.....	21-11
Table 21-9. Slot 6 Output Bit Definitions.....	21-12
Table 21-10. Slot 7 Output Bit Definitions.....	21-12
Table 21-11. Slot 8 Output Bit Definitions.....	21-12
Table 21-12. Slot 9 Output Bit Definitions.....	21-12
Table 21-13. Slot 10 Output Bit Definitions.....	21-13
Table 21-14. Slot 11 Output Bit Definitions.....	21-13
Table 21-15. Slot 12 Output Bit Definitions.....	21-13
Table 21-16. Slot 0 Input Bit Definitions.....	21-15
Table 21-17. Slot 1 Input Bit Definitions.....	21-15
Table 21-18. Slot 2 Input Bit Definitions.....	21-16
Table 21-19. Slot 3 Input Bit Definitions.....	21-16
Table 21-20. Slot 4 Input Bit Definitions.....	21-16
Table 21-21. Slot 5 Input Bit Definitions.....	21-16
Table 21-22. Slot 6 Input Bit Definitions.....	21-17
Table 21-23. Slot 10 Input Bit Definitions.....	21-17
Table 21-24. Slot 11 Input Bit Definitions.....	21-17
Table 21-25. Slot 12 Input Bit Definitions.....	21-17
Table 21-26. AC97 Controller Memory Map.....	21-21
Table 21-27. DRx, Standard Mode.....	21-22
Table 21-28. DRx Register Fields, Standard Mode.....	21-22
Table 21-31. RXCRx.....	21-23
Table 21-29. DRx, Compact Mode.....	21-23
Table 21-30. DRx Register Fields, Compact Mode.....	21-23
Table 21-32. RXCRx Register Fields.....	21-24
Table 21-33. TXCRx.....	21-25
Table 21-34. TXCRx Register Fields.....	21-25
Table 21-35. Compact Mode Programming.....	21-26
Table 21-36. SRx.....	21-27
Table 21-37. SRx Register Fields.....	21-27
Table 21-38. RISRx.....	21-28
Table 21-39. RISRx Register Fields.....	21-29

Table 21-40. ISRx	21-30
Table 21-41. ISRx Register Fields	21-30
Table 21-42. IEx	21-31
Table 21-43. IEx Register Fields	21-31
Table 21-44. S1DATA Receive	21-32
Table 21-45. S1DATA Transmit	21-32
Table 21-46. S1DATA Register Fields	21-32
Table 21-47. S2DATA Receive	21-33
Table 21-48. S2DATA Transmit	21-33
Table 21-49. S2DATA Register Fields	21-33
Table 21-50. S12DATA Receive	21-34
Table 21-51. S12DATA Transmit	21-34
Table 21-52. S12DATA Register Fields	21-34
Table 21-53. RGIS	21-35
Table 21-54. RGIS Register Fields	21-35
Table 21-55. GIS	21-37
Table 21-56. GIS Register Fields	21-37
Table 21-57. GIEN	21-38
Table 21-58. GIEN Register Fields	21-38
Table 21-59. GEOI	21-39
Table 21-60. GEOI Register Fields	21-39
Table 21-61. GCR	21-40
Table 21-62. GCR Register Fields	21-40
Table 21-63. RESET	21-41
Table 21-64. RESET Register Fields	21-41
Table 21-65. SYNC	21-42
Table 21-66. SYNC Register Fields	21-42
Table 21-67. GCIS	21-43
Table 21-68. GCIS Register Fields	21-43

Chapter 22 – Audio Codec Interface (ACI)

Table 22-1. SWI Interrupts	22-3
Table 22-2. ACI Register Summary	22-4
Table 22-3. DATA Register	22-5
Table 22-4. DATA Fields	22-5
Table 22-5. CTL Register	22-6
Table 22-6. CTL Fields	22-6
Table 22-7. STATUS Register	22-7
Table 22-8. STATUS Fields	22-7
Table 22-9. EOI Register	22-8
Table 22-10. EOI Fields	22-8
Table 22-11. CLKDIV Register	22-9
Table 22-12. CLKDIV Fields	22-9

Chapter 23 – Battery Monitor Interface (BMI)

Table 23-1. Reserved Slave Addresses	23-12
Table 23-2. Reserved SMBus Slave Addresses	23-12
Table 23-3. SWI Interrupts	23-26
Table 23-4. SBI Interrupts	23-26
Table 23-5. BMI Single Wire Memory Map	23-27
Table 23-6. BMI Smart Battery Memory Map	23-27
Table 23-7. SWIDR	23-28
Table 23-8. SWIDR Fields.....	23-28
Table 23-9. SWICR Register.....	23-29
Table 23-10. SWICR Fields.....	23-29
Table 23-11. SWISR Register	23-30
Table 23-12. SWISR Fields.....	23-30
Table 23-13. SWIRISR and SWIEOI Register	23-32
Table 23-14. SWIRISR and SWIEOI Fields	23-32
Table 23-15. SWIISR Register	23-33
Table 23-16. SWIISR Fields.....	23-33
Table 23-17. SWIIER	23-34
Table 23-18. Single Wire Interface Interrupt Enable Register Fields	23-34
Table 23-19. SWITR.....	23-35
Table 23-20. Single Wire Interface Timing Register Fields	23-35
Table 23-21. SWIBR Register	23-36
Table 23-22. SWIBR Fields.....	23-36
Table 23-23. SBIDR Register.....	23-37
Table 23-24. SBIDR Fields.....	23-37
Table 23-25. SBICR Register.....	23-38
Table 23-26. SBICR Fields.....	23-38
Table 23-27. SBICOUNT Register	23-40
Table 23-28. SBICOUNT Fields	23-40
Table 23-29. SBISR Register	23-41
Table 23-30. SBISR Fields.....	23-41
Table 23-31. SBIRISR and SBIEOI Register	23-43
Table 23-32. SBIRISR and SBIEOI Fields	23-43
Table 23-33. SBIISR Register	23-45
Table 23-34. SBIISR Fields.....	23-45
Table 23-35. SBIIER Register	23-47
Table 23-36. SBIIER Fields.....	23-47

Chapter 24 – Direct Current to Direct Current (DC-DC) Converter Interface

Table 24-1. DC-DC Frequency and Duty Cycle Selection	24-3
Table 24-2. DC-DC Converter Interface Memory Map.....	24-5
Table 24-3. DCDCCON Register	24-5
Table 24-4. DCDCCON Fields	24-6
Table 24-5. Duty Cycle Programming	24-6
Table 24-6. DCDCFREQ Register	24-7
Table 24-7. DCDCFREQ Fields	24-7
Table 24-8. Prescale Frequency Selection	24-7

Chapter 25 – Pulse Width Modulator (PWM)

Table 25-1. PWM Register Memory Map	25-3
Table 25-2. TC2 and TC3 Registers	25-4
Table 25-3. PWMx_TC Fields	25-4
Table 25-4. TCx Frequency Examples	25-4
Table 25-5. DC2 and DC3 Registers	25-5
Table 25-6. DC2 and DC3 Fields	25-5
Table 25-7. Example Duty Cycle Values	25-5
Table 25-8. EN2 and EN3 Registers	25-6
Table 25-9. EN2 and EN3 Fields	25-6
Table 25-10. INV2 and INV3 Registers	25-7
Table 25-11. INV2 and INV3 Fields	25-7
Table 25-12. SYNC2 Register	25-8
Table 25-13. SYNC2 Fields	25-8
Table 25-14. Static Programming Steps	25-9
Table 25-15. Dynamic Programming Steps	25-9

Chapter 26 – Smart Card Interface (SCI)

Table 26-1. Smart Card Interface Memory Map	26-12
Table 26-2. DATA Register	26-13
Table 26-3. DATA Fields	26-13
Table 26-4. CR0 Register	26-14
Table 26-5. CR0 Fields	26-14
Table 26-6. CR1 Register	26-15
Table 26-7. CR1 Fields	26-15
Table 26-8. CR2 Register	26-16
Table 26-9. CR2 Fields	26-16
Table 26-10. IER Register	26-17
Table 26-11. IER Fields	26-17
Table 26-12. RETRY Register	26-19
Table 26-13. RETRY Fields	26-19
Table 26-14. WMARK Register	26-20
Table 26-15. WMARK Fields	26-20
Table 26-16. TXCOUNT Register	26-21
Table 26-17. TXCOUNT Fields	26-21
Table 26-18. TXCLEAR Register	26-21
Table 26-19. TXCOUNT Fields	26-21
Table 26-20. RXCOUNT Register	26-22
Table 26-21. RXCOUNT Fields	26-22
Table 26-22. RXCLEAR Register	26-22
Table 26-23. RXCLEAR Fields	26-22
Table 26-24. FR Register	26-23
Table 26-25. FR Field	26-23
Table 26-26. RXTIME Register	26-24
Table 26-27. RXTIME Fields	26-24
Table 26-28. DSTAT Register	26-25
Table 26-29. DSTAT Fields	26-26
Table 26-30. STABLE Register	26-27

Table 26-31. STABLE Fields.....	26-27
Table 26-32. ATIME Register.....	26-28
Table 26-33. ATIME Fields.....	26-28
Table 26-34. DTIME Register.....	26-28
Table 26-35. DTIME Fields	26-28
Table 26-36. ATRSTIME Register.....	26-29
Table 26-37. ATRSTIME Fields	26-29
Table 26-38. ATRDTIME Register	26-29
Table 26-39. ATRDTIME Fields	26-29
Table 26-40. BLKTIME Register	26-30
Table 26-41. BLKTIME Fields	26-30
Table 26-42. CHTIME Register	26-31
Table 26-43. CHTIME Fields.....	26-31
Table 26-44. CLKDIV Register.....	26-32
Table 26-45. CLKDIV Fields.....	26-32
Table 26-46. BAUD Register.....	26-33
Table 26-47. BAUD Fields.....	26-33
Table 26-48. CYCLES Register	26-34
Table 26-49. CYCLES Fields	26-34
Table 26-50. Character-to-Character Guard Times for TC0 and TC1.....	26-35
Table 26-51. CHGUARD Register.....	26-35
Table 26-52. CHGUARD Fields	26-35
Table 26-53. BLKGUARD Register	26-36
Table 26-54. BLKGUARD Fields.....	26-36
Table 26-55. SYNCCR Register.....	26-37
Table 26-56. SYNCCR Fields	26-37
Table 26-57. SYNCDATA Register	26-38
Table 26-58. SYNCDATA Fields	26-38
Table 26-59. RAWSTAT Register	26-39
Table 26-60. RAWSTAT Fields.....	26-39
Table 26-61. IIR/ICR Register	26-40
Table 26-62. IIR/ICR Read/Write Register Bits.....	26-41
Table 26-63. CONTROL Register	26-43
Table 26-64. CONTROL Fields.....	26-43

Chapter 27 – Analog-to-Digital Converter/Brownout Detector

Table 27-1. ADC Register Summary.....	27-11
Table 27-2. HW Register.....	27-12
Table 27-3. HW Fields.....	27-12
Table 27-4. In + Mux Definition	27-13
Table 27-5. LW Register	27-14
Table 27-6. LW Fields	27-14
Table 27-7. RR Register.....	27-15
Table 27-8. RR Fields	27-15
Table 27-9. IM Register.....	27-16
Table 27-10. IM Fields.....	27-16
Table 27-11. PC Register.....	27-17
Table 27-12. PC Fields.....	27-17

Table 27-13. Touch Screen Controller Power Modes	27-18
Table 27-14. GC Register	27-19
Table 27-15. GC Fields	27-19
Table 27-16. GS Register.....	27-20
Table 27-17. GS Fields	27-20
Table 27-18. IS Register	27-21
Table 27-19. IS Fields	27-21
Table 27-20. FS Register	27-22
Table 27-21. FS Fields	27-22
Table 27-22. IHWCTRL Register	27-24
Table 27-23. IHWCTRL Fields	27-24
Table 27-24. ILWCTRL Register	27-25
Table 27-25. ILWCTRL Fields.....	27-25
Table 27-26. MIS Register	27-26
Table 27-27. MIS Fields	27-26
Table 27-28. IC Register	27-27
Table 27-29. IC Fields	27-27

Chapter 28 – Keyboard and Mouse Interface

Table 28-1. KMI Logic	28-3
Table 28-2. KMI Memory Map.....	28-4
Table 28-3. KMICR Register	28-5
Table 28-4. KMICR Fields	28-5
Table 28-5. KMISTAT Register	28-6
Table 28-6. KMISTAT Fields.....	28-6
Table 28-7. KMIDATA Register.....	28-7
Table 28-8. KMIDATA Fields.....	28-7
Table 28-9. CLKDIV Register.....	28-8
Table 28-10. CLKDIV Fields.....	28-8
Table 28-11. ISR Register.....	28-9
Table 28-12. ISR Fields.....	28-9

Preface

The NXP LH7A404 is a complete MCU. This User's Guide is the principal technical reference for this device. This document assumes the reader is familiar with ARM922T programming. For more information on programming the ARM922T core, see the library of methods and downloads available from ARM Ltd., at <http://www.nxp.com/redirect/arm.com>.

For an abridged version of this User's Guide, consult the LH7A404 Data Sheet and the single page Product Brief. For details, contact a NXP representative or see the NXP Semiconductors website (<http://www.nxp.com>).

Application Notes and further information on connecting, programming and implementing the LH7A404, along with suggestions for companion parts, can be found on NXP's website (<http://www.nxp.com>).

IMPORTANT: The following sections contain important design information about the LH7A404. Please take a moment to read the 'Conventions and Terms' section in its entirety.

Conventions and Terms

For information on specific terms and acronyms see the Glossary in this User's Guide.

Unconnected (Floating) Inputs

Many applications employing the LH7A404 require extremely low standby and operating current consumption, especially in battery operated devices. To achieve minimum current, unused inputs must never be left floating (unconnected). Each input must be pulled up or pulled down with a 33 k Ω resistor (or smaller). In addition to terminating input pins, this also allows the designer to specify the reset state of input pins by selecting pull up (logical 1 at reset) or pull down (logical 0 at reset) resistors.

Multiplexed Pins

The LH7A404 is manufactured in a CABGA package with 325 pins. Some pins have only one function, but others are multiplexed and may carry as many as three functions. Designers must be aware that multiplexed pins cannot simultaneously support more than one function; a choice is required prior to designing the MCU into an application.

Pin Names

Package pins are named to indicate the signal(s) or functionality available at the pin. If the signal or function is active LOW, the name is prefixed with a lower-case 'n', such as nSCS2. Multiplexed pins are named to indicate all available functions, such as Pin W10: PE1/LCDVD5, which can function as either GPIO Port E bit 1, or LCD Data bit 5.

These naming conventions help designers recognize and avoid collisions between multiplexed functions but can complicate explanatory text, so this User's Guide uses the name appropriate to the context. A discussion about Port E bit 1 would use PE1, for example, but information about LCD data would refer to signal LCDVD5. Readers must be aware that these are separate signals, with distinctly different functionality, which happen to be available on the same pin. Such signals are not simultaneously available at the pin.

Peripheral Devices

The LH7A404 is an MCU built using the ARM922T RISC core as a base. Objects within the chip but external to the core processor and its support devices are referred to throughout this User's Guide as 'blocks' or 'Peripheral Devices'.

The LH7A404 includes two buses: an Advanced High-Performance Bus (AHB) and an Advanced Peripheral Bus (APB). The devices shown on the APB in the block diagrams are an example of Peripheral Devices in this document. Devices that are external to the chip are referred to as 'External Devices'.

Register Addresses

The LH7A404 is a memory-mapped device with programmable, internal registers that control its operation. Each internal register is located at a unique address in the memory map and the registers are generally grouped in the map by subsystem.

In this User's Guide, the addresses for all registers are expressed as a base address and an offset from that base. The base address indicates where in the map a group of registers begins and the offset locates a particular register, relative to its base address. Thus, any register's absolute address is the sum of its base address and its offset. Programmers will find this base+offset representation convenient for creating software structures to access the registers. The absolute addresses are also provided for convenient reference.

Register Tables

All Registers are presented in tabular format. A primary table presents each register's name, address, permissions, bit-field names and the register's contents at reset. Subsequent tables detail the specific names and function(s) of all bit fields in the register and explain any important variations that may exist.

An important detail to note is that all registers are not perfectly writable and readable. Some will exhibit different characteristics on a write, while a read may not return the expected result. At the same time, there will be registers whose function on a write is to clear a value or a set of stored values, while on a read will return a specific set of values. This is particularly true in registers that handle interrupts. Writing to a specific register may clear a set of interrupts, while reading that same register will yield which interrupts are set.

Similarly, not all bit fields in all registers can be written, nor can all register bit fields yield useful information when read. These restricted register bit fields will be specifically called out with three slashes (///) and the word 'Reserved', along with their special conditions in the bit field tables. See Table 1 and Table 2 for examples of this practice.

Table 1. Register Name

BIT	31	30	29	28	27	26	25	24	23	22	21	20	19	18	17	16
FIELD	///						F25	///								
RESET	0	0	0	0	0	0	0	0	0	0	0	0	0	0	0	0
TYPE	RO	RO	RO	RO	RO	RO	RW	RO	RO	RO	RO	RO	RO	RO	RO	RO
ADDR	—															
BIT	15	14	13	12	11	10	9	8	7	6	5	4	3	2	1	0
FIELD	///							F07	F06	F05	F04	F03	F02	F01	F00	
RESET	0	0	0	0	0	0	0	0	0	0	0	0	0	0	0	0
TYPE	RO	RO	RO	RO	RO	RO	RO	RO	RW	RW	RW	RW	RW	RW	RW	RW
ADDR	REGISTERBASE + 0x0004															

Table 2. Bit Fields

BITS	FIELD NAME	FUNCTION
31:26	///	Reserved Reading returns 0. Values written cannot be read.
25	F25	Field 25 A description of this bit's functionality will be found in this space.
24:8	///	Reserved Reading returns 0. Writing to this field will have no effect.
7:0	F7:F0	Field Bits [7:0] A description of these bits' functionality will be found in this space.

Numeric Values

Binary values are prefixed with 0b; for example, 0b00001000.

Hexadecimal values are expressed with UPPERCASE letters and prefixed with 0x; for example, 0x0FBC.

All numeric values not specifically identified with the above prefixes as either binary or hexadecimal are decimal values.

Registers and bit fields with 0b0 in all bits are referred to as 'cleared' or as 0. Registers and bit fields with 0b1 values in all bits are referred to as 'set', or as the binary, hexadecimal, or decimal value of the entire field or register. When truth tables are used, the '0b' prefix is omitted for textual clarity.

Block Diagrams

The functional descriptions in this User's Guide include block diagrams with symbols representing logical or mathematical operations or selections, usually the result of writing a value to a register. Figure 1 shows one such multiplexer with three inputs and one output (the result).

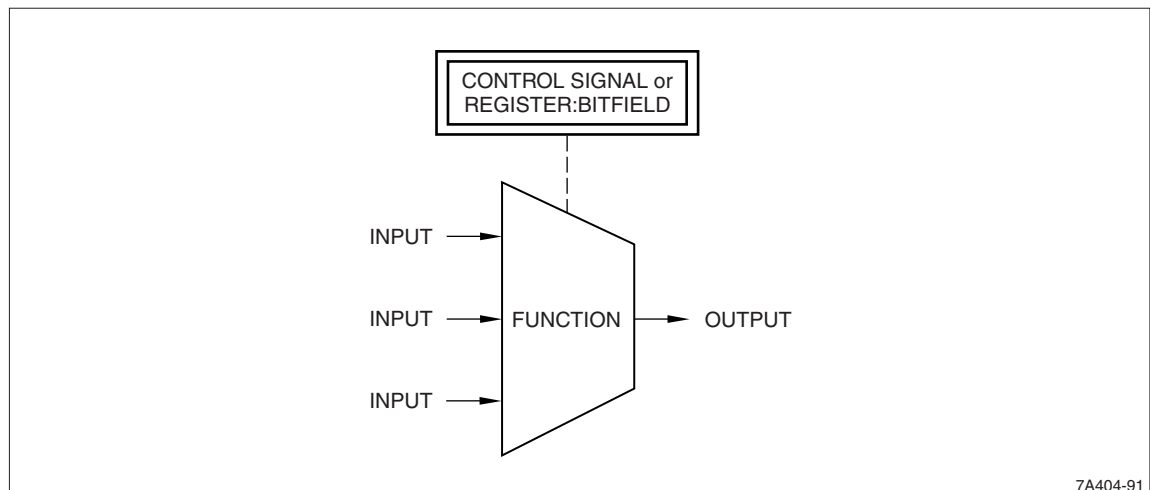


Figure 1. Multiplexer

7A404-91

Block diagrams can include symbols representing Registers and the bit fields within them. Figure 2 shows that the BITFIELDNAME bit field in the REGISTERNAME register enables or disables the signal named OUTPUT.

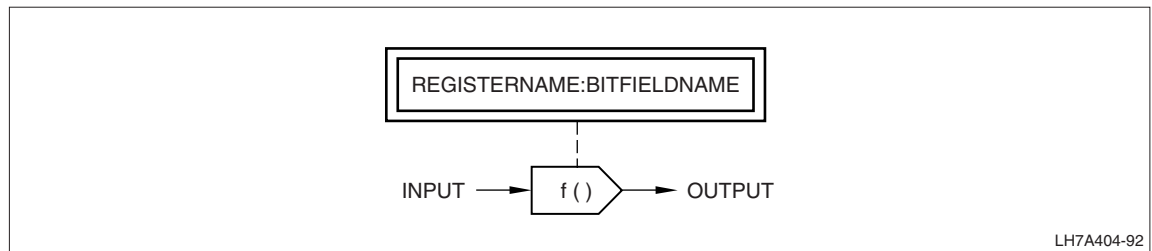


Figure 2. Register with Bit-Field Named

Figure 3 is similar to Figure 2 except that Figure 3 references multiple (different) BITFIELDS in the REGISTERNAME register.

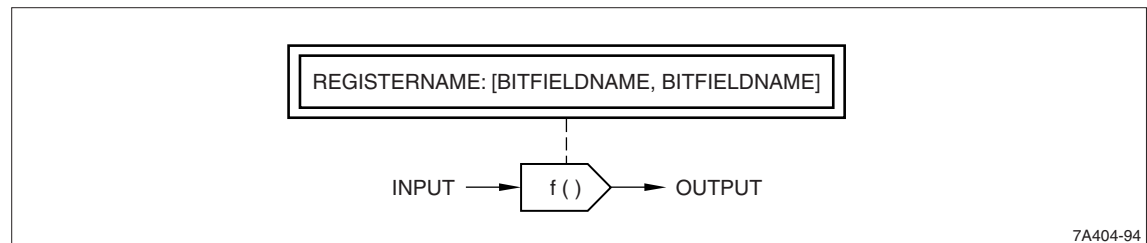


Figure 3. Register with Multiple Bit-Fields Named

Not all bit fields are named. If a bit field has no name, the Register is shown with numbers indicating the appropriate bit positions, with the least significant bit on the right, as in Figure 4. This bit ordering matches that of the Register tables, shown in Table 1.

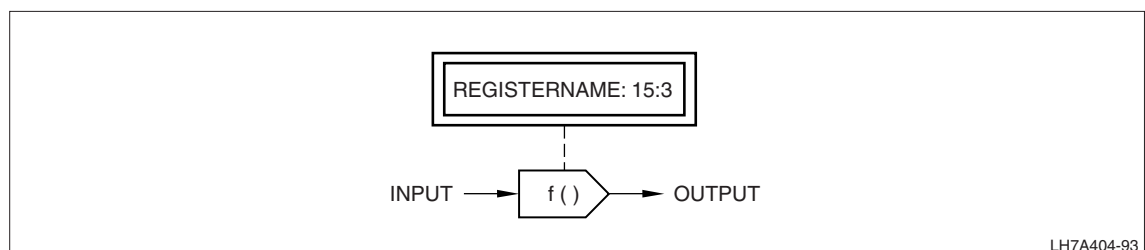


Figure 4. Register with Bit-Field Numbered

What's in This User's Guide

Chapter 1 – Introduction

This contains the complete LH7A404 BGA pinout is presented in tabular format. Included is the pin description, reset state, standby state, and output drive current (for output pins).

Chapter 2 – System Overview

This Chapter lists the features of the LH7A404 MCU and presents a simplified block diagram of the device, with the major architectural features identified.

Chapter 3 – Core and Memory Systems

This Chapter presents the theory of operation of the LH7A404 MCU, including an overview of the ARM922T processor and MMU. The theory of operation covers bus architecture, bus arbitration, and the base addresses for each of the Advanced High-Performance Bus (AHB) and Advanced Peripheral Bus (APB) devices and the APB Bridge. Coverage of the memory system includes memory mapping, memory remapping, and the External Bus Interface (EBI). This Chapter provides programmer's models, programmable parameters, default memory widths, address mapping, and includes a register summary and register descriptions for the core and memory map.

Chapter 4 – Boot ROM

The LH7A404 can be booted from either an external device, or from the internal Boot ROM. Booting from the internal ROM results in the ROM code determining the type and location of an external non-volatile device from which boot code will be loaded for LH7A404 core execution. Using the internal Boot ROM allows multiple boot devices and scenarios to be used in different applications. This Chapter describes programming, address mapping for each type of device, and includes a register summary and register descriptions.

Chapter 5 – Static Memory Controller

This Chapter presents the theory of operation of the LH7A404 Static Memory Controller (SMC), including programmable parameters, default memory widths, and address mapping. Also included in this chapter is operational description of the PCMCIA and CompactFlash cards. This Chapter includes a register summary and register descriptions for the SMC.

Chapter 6 – SDRAM Controller

This Chapter presents the theory of operation of the LH7A404 Synchronous Dynamic RAM Memory Controller (SDMC), including programmable parameters, device selection, memory widths, and address mapping. This Chapter includes a register summary and register descriptions for the SDRAM Controller.

Chapter 7 – Clock State Controller

This Chapter presents an overview of the LH7A404 Clock and State Controller (CSC), including a block diagram, a list of clock signals, power control modes, programmer's model, register summaries, state diagram, and register descriptions.

Chapter 8 – I/O Control and Multiplexing

This Chapter is an overview of the LH7A404 I/O Controls and pin Multiplexing. The Chapter provides a block diagram, programmer's model, register summary and descriptions.

Chapter 9 – Vectored Interrupt Controller

This Chapter describes the LH7A404 Vectored Interrupt Controller. The Chapter includes a short overview, a block diagram, programmer's model, interrupt channel list, register summaries, and register descriptions.

Chapter 10 – DMA Controller

This Chapter describes the DMA operations available in the LH7A404 MCU, latencies from one process to another, and the interrupts involved.

Chapter 11 – Color LCD Controller

This Chapter describes the Color LCD Controller (CLCDC) and the Advance LCD Interface Controller (ALI) functional blocks within the LH7A404. The Chapter includes a brief overview, lists the types of panels supported, and at what bit-depths. The Chapter also lists and explains the programmable parameters and includes a register summary. Register descriptions, with reset values, and horizontal timing restrictions are provided.

Chapter 12 – Timers

This Chapter describes the LH7A404 Timers. The Chapter includes a short overview and block diagram, signal descriptions, operation sequences, register summaries, register descriptions, and interface signals.

Chapter 13 – Watchdog Timer

This Chapter describes the LH7A404 Watchdog Timer (WDT). The Chapter includes a short overview, block diagram, programmer's model, signal descriptions, operating sequences, register summaries and register descriptions.

Chapter 14 – Real Time Clock

This Chapter describes the LH7A404 Real Time Clock (RTC). The Chapter includes a short overview, a block diagram, a list of clock signals, programmer's model, signal descriptions, operating sequences, register summaries, register descriptions and interface signals.

Chapter 15 – Synchronous Serial Ports

This Chapter presents an overview of the LH7A404 Synchronous Serial Ports, a block diagram, programmer's model, register summary, register descriptions, Interrupts, and register locations.

Chapter 16 – UARTs

This Chapter presents the LH7A404 UART blocks. The Chapter includes a brief overview, block diagram, programmer's model, programmable parameters, register summary and register descriptions.

Chapter 17 – General Purpose Input/Output

This Chapter presents the LH7A404 General Purpose Input/Output (GPIO) systems, beginning with a brief overview, and including a block diagram, programmer's model, register summary, and register descriptions.

Chapter 18 – Secure Digital/MultiMediaCard Controller

This Chapter presents the LH7A404 MultiMediaCard (MMC) Controller and Secure Digital (SD) Controller, beginning with a brief overview, and including a block diagram, programmer's model, register summary, and register descriptions.

Chapter 19 – USB Device

This Chapter presents the LH7A404 USB Device, beginning with a brief overview, and including a block diagram, programmer's model, register summary, and register descriptions.

Chapter 20 – USB Host

The USB Host port is described in this chapter along with register addresses and descriptions.

Chapter 21 – AC97 Codec Controller

This Chapter presents the LH7A404 AC97 Codec Controller, beginning with a brief overview, and including a block diagram, programmer's model, register summary, and register descriptions.

Chapter 22 – Audio Codec Controller

This Chapter presents the LH7A404 Audio Codec Controller, beginning with a brief overview, and including a block diagram, programmer's model, register summary, and register descriptions.

Chapter 23 – Battery Monitor Interface

This Chapter presents the LH7A404 Battery Monitor Interface (BMI), beginning with a brief overview, and including a block diagram, programmer's model, register summary, and register descriptions.

Chapter 24 – DC-DC Converter Interface

This Chapter presents the LH7A404 DC-DC Converter interface, beginning with a brief overview, and including a block diagram, programmer's model, register summary, and register descriptions.

Chapter 25 – Pulse Width Modulator

The two Pulse Width Modulators (PWM) on board the LH7A404 are described in this chapter. The theory of operation and register addresses and descriptions are provided.

Chapter 26 – Smart Card Interface

This Chapter presents the LH7A404 Smart Card Interface (SCI), beginning with a brief overview, and including a block diagram, programmer's model, register summary, and register descriptions.

Chapter 27 – Analog-to-Digital Converter and Touch Screen Controller

This chapter covers the Analog-to-Digital Converter (ADC). The ADC can also be configured as a Touch Screen Controller (TSC). The chapter describes the operation and presents the register memory map and descriptions.

Chapter 28 – Keyboard and Mouse Interface

The Keyboard and Mouse Interface (KMI) allows direct connection of a standard keyboard and mouse to the LH7A404. Operation and registers are described in the chapter.

Appendix – Glossary

This appendix contains an alphabetical listing of common terminology appearing in the LH7A404 User's Guide.

Chapter 1

Introduction

1.1 Description

The LH7A404 is a fully-integrated MCU based on the 32-bit ARM922T™ core. The core comprises an ARM9TDMI™ RISC CPU, Cache RAM, a Write buffer, and Memory Management Unit (MMU). Complementing the core are a Direct Memory Access Controller, Interrupt Controller, Color LCD Controller, 80KB of internal SRAM, and high performance functional blocks that provide a glueless interface to external memory. A fully static design provides low voltage operation and a complete set of power management features. Primary features include:

- Synchronous Memory Controller for SDRAM, SyncFlash, and Sync Masked ROM
- Asynchronous Memory Controller for SRAM and ROM
- Up to 64 bits of General Purpose Peripheral I/O
- Audio Codec interface
- AC97 Audio Codec Controller
- Color LCD Controller with support from sub 1/4 VGA to XGA at 1, 2, 4, 8, or 16 bits per pixel, at a fully programmable refresh rate
- Advanced LCD Interface (ALI) provides AD-TFT and HR-TFT panel support
- USB Device interface with 12 Mbit/s bandwidth
- USB Host interface (2 ports)
- MultiMediaCard/Secure Digital interface with 20 Mbit/s bandwidth
- 3 Full duplex high speed UARTs, one with IrDA SIR support (up to 115 kbit/s)
- Three 16-bit general purpose Counter/Timers
- A 32-bit Real Time Clock and Comparator
- Four PWMs, two DC-DC converters, two high-resolution (16 bits)
- Synchronous Serial Port for Microwire™, and SPI peripherals
- Configurable PLL for selectable processor speeds up to 200 MHz
- PCMCIA/CompactFlash interface control for up to two cards
- Smart Card interface (ISO7816)
- Battery Monitor interfaces
- Touch Screen Controller (9-channel, 10-bit A/Ds) and brownout detector
- Programmable bus arbitration
- PS/2 Keyboard/Mouse interface (KMI)
- 64KB factory masked ROM

1.2 Power Supply Sequencing

NXP recommends that the 1.8 V power supply be energized before the 3.3 V supply. If this is not possible, the 1.8 V supply may not lag the 3.3 V supply by more than 100 μ s. Any longer delay may cause latchup.

1.3 Functional Pin List

The current pin listings are located in the LH7A404 Data Sheet.

Chapter 2

System Overview

2.1 Introduction

This Chapter introduces the NXP LH7A404 Universal MCU, lists the features, and describes the architecture and operation in general terms. Subsequent chapters explain the major features and functions in more detail. This chapter and the Terms and Conventions in the Preface provide a foundation for the detailed chapters.

2.2 Features

The NXP LH7A404, powered by an ARM922T core, is a complete MCU designed with a high level of integration to satisfy a wide range of requirements and expectations. This design lowers overall system costs, reduces development cycle time, and accelerates product introduction. The LH7A404 includes the following features:

- ARM922T Core
 - 32-bit ARM9TDMI RISC Core
 - 16KB Cache: 8KB Instruction Cache and
 - 8KB Data Cache
 - MMU (WinCE™ Enabled)
- High Performance (200 MHz)
- 80KB On-Chip Memory
- External Bus Interface
 - 100 MHz
 - Asynchronous SRAM/ROM/Flash
 - Synchronous DRAM/Flash
 - PCMCIA
 - CompactFlash
- Clock and Power Management
 - 32.768 kHz and 14.7456 MHz Oscillators
 - Programmable System Clocks
 - Programmable Clock Divider Output
- Low Power Modes
 - Run (147 mA)
 - Halt (41 mA)
 - Standby (70 μ A)
- 5 V Tolerant Digital Inputs

- Programmable LCD Controller
 - Up to 1,024 × 768 Resolution
 - Supports STN, Color STN, AD-TFT, HR-TFT, TFT
 - Up to 64,000 Colors and 15 Gray Shades
- DMA (10 Channels)
 - AC97
 - MMC
 - USB Host
 - Off Chip DMA
- 10-bit Analog-to-Digital Converter (9 Channels)
- Touch Screen Controller (TSC)
- USB Device Interface (USB 2.0 Full Speed)
- USB Host Interface (USB 2.0 Full Speed)
- Synchronous Serial Port (SSP)
 - Motorola SPI™
 - Texas Instruments SSI
 - National MICROWIRE™
- Three Programmable Timers
- Three UARTs
 - Classic IrDA (115 kbit/s)
- Smart Card Interface (ISO7816)
- DC-to-DC Converters
- MultiMediaCard™ Interface
- Secure Digital Card Interface
- AC97 Codec Interface
- Smart Battery Monitor Interface
- Real Time Clock (RTC)
- Up to 64 General Purpose I/Os (GPIO)
- Vectored Interrupt Controller
- Watchdog Timer
- JTAG Debug Interface and Boundary Scan
- PS/2 Keyboard/Mouse Interface (KMI)
- Operating Voltage
 - 1.8 V Core
 - 3.3 V Input/Output
- Temperature
 - 0°C to +70°C Commercial
 - -40°C to +85°C Industrial
- 324-Ball CABGA 17mm × 17mm Package

2.3 Block Diagram

The LH7A404, shown in Figure 2-1, is organized around two 32-bit internal buses and operates with two external crystals, as described below and shown in Figure 2-1:

- 32.768 kHz crystal to control power-down operations and the Real Time Clock (RTC)
- 14.7456 MHz crystal to generate the main system clock domains

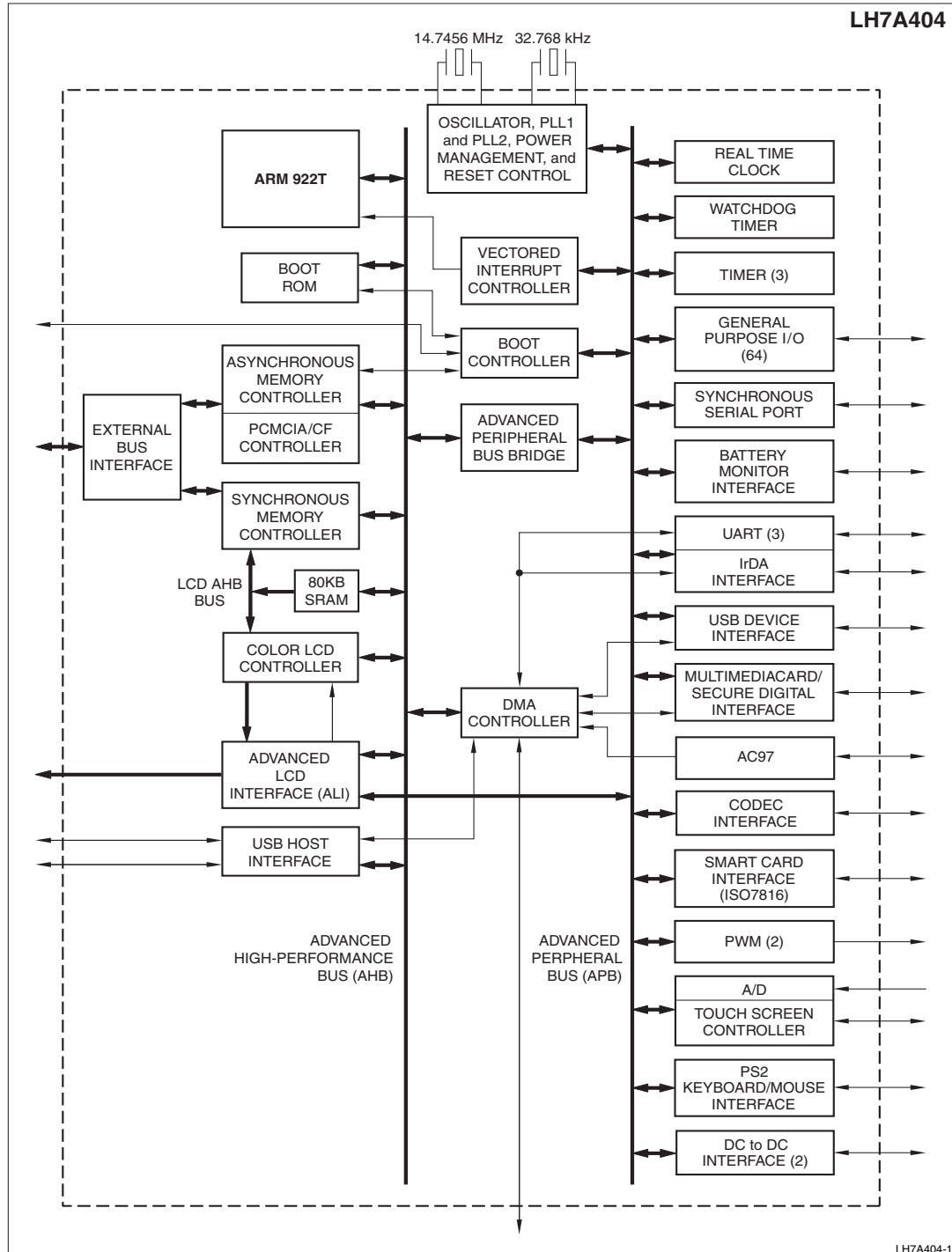


Figure 2-1. LH7A404 Block Diagram

The LH7A404 includes an ARM922T core, a 10-channel Direct Memory Access (DMA) controller (DMAC) and a DMA-enabled Color LCD Controller (CLCDC) on a 32-bit Advanced High-Performance Bus (AHB). This high level of integration promotes the concurrency of tasks such as LCD flat-panel refresh while the core is operating in cache.

The LH7A404 on-chip memory resources include 80KB of internal Static RAM (SRAM) embedded memory, a Static (asynchronous) Memory Controller (SMC), and a Synchronous Dynamic RAM (SDRAM) Controller for interfacing to external memory devices. The embedded memory is designed to be used for storing code, data, or LCD frame data and to be contiguous with external SDRAM. The 80KB is large enough to store a QVGA panel (320 × 240) at eight bits per pixel, equivalent to 70KB of information. Speed-critical memory interface control signals are pipelined to facilitate the use of the fast, local modes offered by industry-standard dynamic RAM (DRAM) devices.

Essential on-chip peripherals are accessed via a 32-bit Advanced Peripheral Bus (APB) connected to the Advanced High speed Bus (AHB) by a 32-bit Bridge. The AHB, APB, and Bridge conform to the ARM Advanced Microcontroller Bus Architecture (AMBA) specification. The 10-channel DMAC can transfer data between memory and peripherals to promote efficient AHB bandwidth utilization.

The LH7A404 integrates two Vectored Interrupt Controllers (VICs). Each can handle 32 interrupt sources, with up to 16 of those configurable as vectored interrupts. The highest priority is the Brownout interrupt.

The LH7A404 can be reset by external input or by an internal signal from the WDT. The active LOW Power On Reset (nPOR), active LOW Power Failure (nPWRFL), and active LOW User Reset (nURESET) external signals generate system resets. The nPOR signal generates a full system reset. The nPWRFL and nURESET signals allow the system to maintain the Real Time Clock and SDRAM contents.

The LH7A404 has three operational states for power efficiency:

- In Run State, all clocks can be active including the processor clock. Software can activate and deactivate individual clocks.
- In Halt State, the device is functioning but the processor clock is halted, waiting for an event such as a key press.
- In Standby State, the main oscillator is shut down, shutting down all peripheral clocks, and the LCD is disabled. Only the 32.768 kHz oscillator, the RTC, and the State Controller remain active. This is the lowest power state of the chip.

Additional information and documentation about AMBA, AHB, APB, and other ARM concepts is available from ARM at <http://www.nxp.com/redirect/arm.com>.

2.4 Power Supply Sequencing

NXP recommends that the 1.8 V power supply be energized before the 3.3 V supply. If this is not possible, the 1.8 V supply may not lag the 3.3 V supply by more than 100 μs. Any longer delay may cause latchup.

Chapter 3

Core and Data Paths

3.1 Theory of Operation

The LH7A404 includes an ARM922T Core, 80KB of embedded SRAM (eSRAM), and on-chip memory controllers for a glueless interface to external memories. The Core and memory controllers use a 32-bit AHB for system interfaces and an External Bus Interface (EBI) for external interfaces. On-chip peripherals are accessed via a 32-bit APB, connected to the AHB through a 32-bit APB Bridge. Figure 3-1 shows the Core, buses, memory controllers, EBI, DMA paths, and eSRAM.

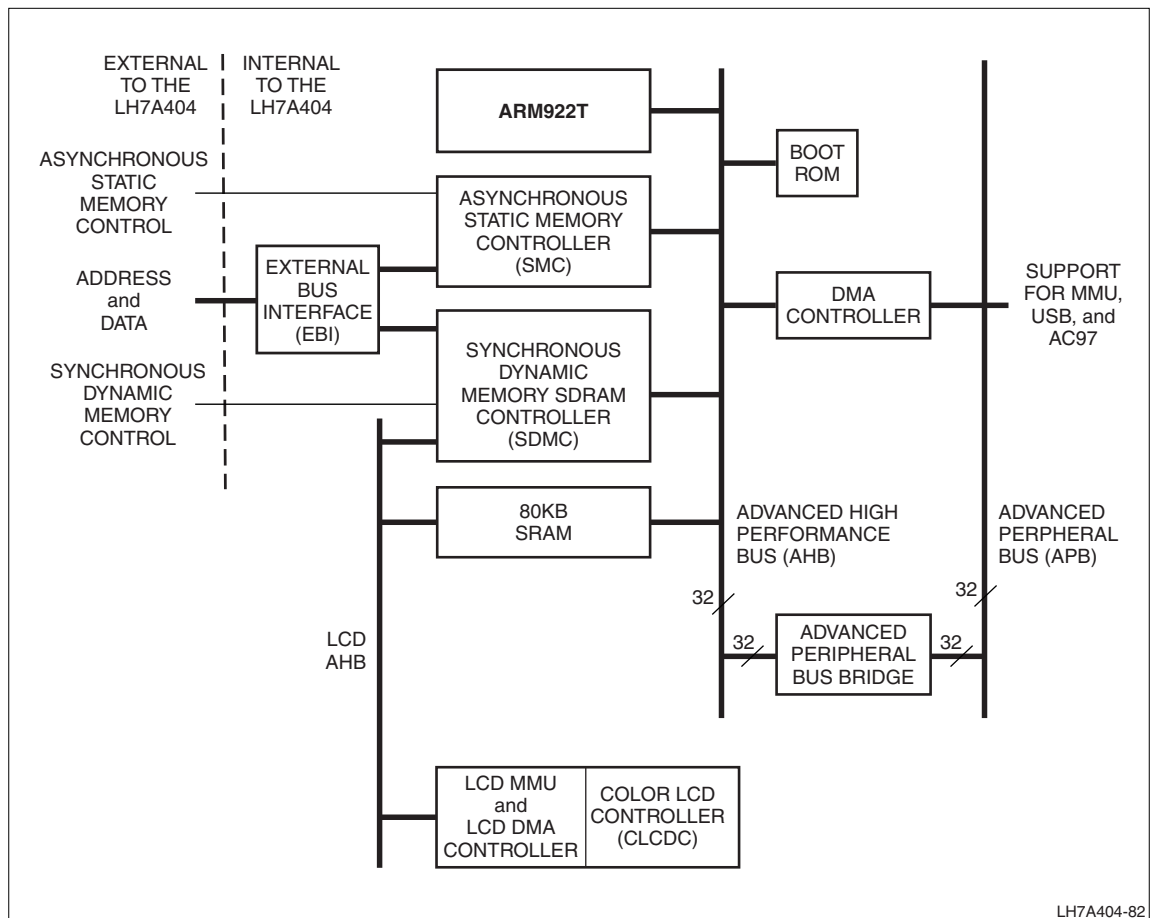


Figure 3-1. LH7A404 ARM Core and Memory Interfaces

The address bus is 32 bits wide. With this bus, the Core can address 4 banks of 256MB synchronous memory, 6 banks of 256MB static memory and 80KB of internal memory. The ARM core has a virtual address space of 4GB. This memory space is divided into banks allocated to the Static Memory Controller (SMC) or to the Synchronous Dynamic Memory Controller (SDMC). Multiple boot modes are available for booting from

SynchFlash, on-board ROM, or external Asynchronous ROM or Flash. Little-endian storage is used throughout the LH7A404.

The LH7A404 includes two AHB Masters, the ARM922T Core and the on-chip DMA Controller, with a fixed hardware priority. The DMA Controller supports streams from the MultiMediaCard Adapter (MMC), AC97 Codec (AC97), and Universal Serial Bus (USB) peripherals. The Color LCD Controller (CLCDC) includes a separate, dedicated LCD AHB for specific CLCDC accesses to the 80KB of eSRAM and to the SDMC.

Because the ARM922T is a fully static design, the LH7A404 Core and bus clock signals can be stopped indefinitely, with no loss of internal data.

3.1.1 Operating States

The LH7A404 operates in three possible states: Run, Standby, and Halt.

The Run state is the normal operation of the system. All clocks can be active; the CPU may set some clocks to inactive in the Run state. All peripherals and controllers can also be active in the Run state.

The Halt state provides a low-power option when the system is waiting for an event, such as a keyboard input. In this mode, processor clocks are deactivated and other clocks may be deactivated by software. The LCD and all other peripherals remain active.

The Halt state can only be entered from Run by the CPU reading the Halt memory location 0x8000.0408. Halt exit and return to Run is triggered by:

- IRQ
- FIQ
- User Reset
- Power Fail signal.

In the Standby state, only the clocks derived from the 32.768 kHz clock are active. With these clocks enabled, only the Real Time Clock and state controller remain active. Although the other clocks are disabled, the internal chip state is maintained so normal program flow can continue upon exiting Standby. This is the lowest power consumption state.

Standby can be entered by:

- Read from STBY location, 0x8000.040C
- LOW nPWRFL (Power Fail) signal
- LOW nURESET (User Reset) signal
- LOW nPOR (Power On Reset) signal
- Write to CLKSET register

Standby exits to Run when an interrupt occurs (except as described below), on a rising edge on the Wakeup pin, or upon exit from a CLKSET Write. When transitioning from Reset to Run, a delay of 8 - 16 ms occurs to allow the PLL to stabilize. If Standby was entered due to a nPOR signal, interrupts will be disabled and cannot trigger an exit from Standby to Run.

3.1.2 Instruction and Data Cache

The ARM922T Core includes separate 8KB Instruction and Data Caches, Cache Controllers, MMU, and a Write Buffer. These elements and the associated information flows are shown in Figure 3-2.

The Cache is an important Core feature because the AHB carries all Core, DMA, SMC, SDMC, and eSRAM traffic. For best bandwidth utilization, structure software to ensure the Core runs from within cache whenever possible. When the MMU is used, software can specify memory cachability by segment or by page.

At reset, the Write Buffer, Caches and MMUs are disabled and the MMU Translation Lookaside Buffers (TLB) are flushed.

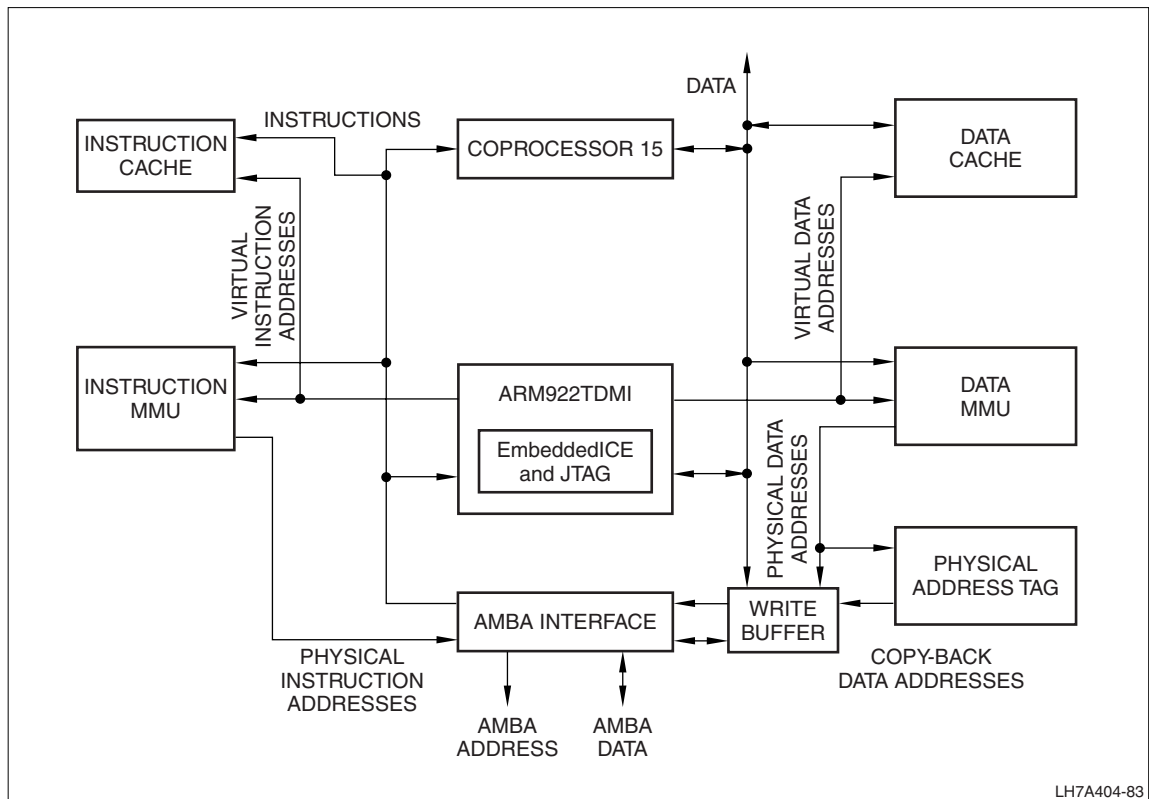


Figure 3-2. ARM9TDMI Core Organization

LH7A404-83

3.1.3 Memory Management Unit

The ARM922T Data and Instruction MMUs perform the following primary functions:

- Translate virtual addresses into physical addresses
- Enable cache and write buffering for particular ranges of virtual addresses
- Control memory access permissions.

The MMU is turned off at reset. When the MMU is turned off, all virtual addresses are output directly onto the physical address bus (the AHB).

Each MMU supports memory accesses based on the following memory block sizes:

- Sections are 1MB blocks of memory
- Tiny pages are 1KB blocks of memory
- Small pages are 4KB blocks of memory
- Large pages are 64KB blocks of memory.

Large pages allow mapping a large region with a single entry in the Translation Lookaside Buffer (TLB). Additional access control mechanisms are extended to 16KB subpages.

For information on the ARM922T MMU, see the ARM922T Technical Reference Manual, ARM DDI 0184B, available from ARM, Ltd. at <http://www.nxp.com/redirect/arm.com>.

3.1.4 Internal and External Memory

The LH7A404 can use both on-chip and external memory. The on-chip eSRAM is 80KB. The amount and type of external memory depends on the application.

The LH7A404 External Bus Interface (EBI) and memory controllers provide access for the following external memory technologies:

- The SDMC provides the Chip Selects and other interface signals for external SDRAM, often the only external volatile memory used in a system. The SDMC also provides the necessary signals for accessing synchronous ROM and SyncFlash.
- The SMC provides the chip selects and interface signals for other types of external memory such as RAM, ROM, and Flash memory; and for external devices with similar memory interfaces. The byte-lane signals interface with 8-, 16-, and 32-bit-wide devices. Synchronous Banks can include memory of varying technologies and widths. However, all devices within a Bank controlled by the LH7A404 SMC must have similar access characteristics, such as bus width, access time, and number of wait states. The SMC includes PCMCIA PC Card and CompactFlash (CF) support.

3.1.4.1 Memory Map

The 32-bit wide address bus can address up to 4GB of memory. This space is subdivided into a number of memory banks and control registers (see Figure 3-3):

- Four 256MB banks are allocated to the SDMC.
- Eight 256MB banks are allocated to the SMC. Two of these banks support PCMCIA and CF PC Card systems.
- Part of the remaining memory space is allocated to the eSRAM and the bus control registers.
- The remainder of the space is reserved.

Each Memory Controller and peripheral controller in the LH7A404 is assigned to a specific range of the memory map, as shown in Figure 3-3. For external memory, this assignment determines the range of addresses over which each chip select signal is valid. This assignment provides the following flexibility:

- Two versions of the memory map are available as default configurations after reset, to support booting from synchronous or asynchronous memory. (See Section 3.1.5.)
- Software can reconfigure the virtual memory map via the ARM MMU. Designers can use this flexibility to optimize system performance at low cost.

When memory is addressed on word (4 byte) boundaries, both the SMC and the SDMC provide sequential Load and Store contiguity between the external memory banks. In addition to programmable wait states, the LH7A404 provides an nWAIT input for peripherals with very long or indeterminate access times. When nWAIT is pulled LOW by an external device, the SMC enters Wait Mode and suspends all operation until the nWAIT signal goes back HIGH. If nWAIT is not used, it should be pulled HIGH with a 33 kΩ resistor.

F000.0000	ASYNC. MEM (nCS0)	SYNC. MEM (nSDCE3)	256MB
E000.0000	SYNC. MEM (nSDCE2)	SYNC. MEM (nSDCE2)	256MB
D000.0000	SYNC. MEM (nSDCE1)	SYNC. MEM (nSDCE1)	256MB
C000.0000	SYNC. MEM (nSDCE0)	SYNC. MEM (nSDCE0)	256 MB
B001.4000	NOT USED	NOT USED	
B000.0000	EMBEDDED SRAM	EMBEDDED SRAM	80KB
8000.3800	NOT USED	NOT USED	
8000.2000	AHB MAPPED REGISTERS	AHB MAPPED REGISTERS	
8000.0000	APB MAPPED REGISTERS	APB MAPPED REGISTERS	
7000.0000	ASYNC. MEM (nCS7)	ASYNC. MEM (nCS7)	256MB
6000.0000	ASYNC. MEM (nCS6)	ASYNC. MEM (nCS6)	256MB
5000.0000	PC CARD/CF (SLOT1)	PC CARD/CF (SLOT1)	256MB
4000.0000	PC CARD/CF (SLOT0)	PC CARD/CF (SLOT0)	256MB
3000.0000	ASYNC. MEM (nCS3)	ASYNC. MEM (nCS3)	256MB
2000.0000	ASYNC. MEM (nCS2)	ASYNC. MEM (nCS2)	256MB
1000.0000	ASYNC. MEM (nCS1)	ASYNC. MEM (nCS1)	256MB
0000.0000	SYNC. ROM (nSDCE3)	ASYNC. ROM (nCS0)	256MB
	SYNC. MEMORY BOOT	ASYNC. MEMORY BOOT	

LH7A404-7

Figure 3-3. Memory Controller Address Range

3.1.5 Boot Modes

The LH7A404 can boot from either SynchFlash, internal ROM, external Asynchronous ROM, or external Flash memory. The boot mode is specified at power-on reset by the Media Change signal (MEDCHG, pin E4) and the Boot Width signals (WIDTH[1:0], pins W13 and Y13, respectively) and the Internal Boot pin (INTBOOT, pin Y20). The signal values for each boot mode are shown in Table 3-1.

The boot mode determines the memory mapping, as shown in Figure 3-3. To boot from external Synchronous memory, configure the WIDTH and MEDCHG signals to map SDMC Bank 3 (nSCS3) to memory location 0x0000.0000. To boot from external Asynchronous memory, map SMC Bank 0 (nCS0) to memory location 0x0000.0000. Booting from the internal ROM is described in the next section.

After the LH7A404 has booted, software can reconfigure the mapping.

Table 3-1. Boot Mode Signals

BOOT MODE	WIDTH [1:0]	MEDCHG	INTBOOT
8-bit ROM	00	0	0
16-bit ROM	01	0	0
32-bit ROM	10	0	0
Invalid: Do not allow this condition.	11	0	0
16-bit SynchFlash (Initializes device MODE Register)	00	1	0
16-bit SROM (Initializes device MODE Register)	01	1	0
32-bit SynchFlash (Initializes device MODE Register)	10	1	0
32-bit SROM (Initializes device MODE Register)	11	1	0
Boot from internal Boot ROM; see Chapter 4	xx	x	1

3.1.5.1 Internal Boot ROM

Booting from on-chip ROM can also be selected by tying the INTBOOT pin HIGH. See Chapter 4 for details about using the internal Boot ROM.

3.2 Buses

The LH7A404 AMBA bus backbone is shown in Figure 3-1. The Color LCD Controller (CLCDC), DMA controller, eSRAM, external Synchronous and Asynchronous Memory Controllers (SDMC and SMC), and the ARM922T Core are connected to the AMBA AHB. The other peripheral interface blocks are connected to the AMBA APB. The AHB and APB are connected together via the Bridge. The EBI provides a 32-bit wide gateway to external memory, supporting the Synchronous and Asynchronous external memories.

Additional data paths within the system include:

- The LCD AHB. This bus connects the CLCDC to the eSRAM and the SDMC, allowing the CLCDC to automatically refresh the video screen from eSRAM, external DRAM, or both without using the system AHB.
- The DMA controller provides AHB access for the higher speed USB, MMC, and AC97 peripherals. This allows data to be quickly and efficiently transferred to these blocks without the intervention of the ARM922T Core.

3.2.1 Advanced High-Performance Bus (AHB)

The LH7A404 includes an AHB for high-performance, fast system modules. The AHB connects the Core and all other on-chip blocks capable of mastering the AHB with all memory resources and peripherals. The main AHB data and address lines use a multiplexed bus, removing the need for tristate buffers and bus holders and simplifying bus arbitration.

The AHB allows connection of CPUs, on-chip memory, and off-chip external memory interfaces with low-power peripherals. The APB Bridge transparently converts AHB access into the slower speed APB accesses. All control registers for the APB peripherals are programmed using the AHB Bridge.

3.2.1.1 Arbitration

The LH7A404 has three system bus masters that control the movement of data over the primary AHB:

- DMA Controller
- USB Host
- ARM922T Core (default master)

Since the ARM922T is the default master, it can access the bus without a mastership change delay when the other masters are not active.

Except for the ARM922T, each master also has an AHB slave port that provides access to its control and status registers. The other slaves are:

- Color LCD Controller (CLCDC)
- Two Vectored Interrupt Controllers (VIC1 and VIC2)
- Embedded SRAM (eSRAM)
- Synchronous Dynamic Memory Controller (SDMC)
- Static Memory Controller (SMC)

As Figure 2-1 and Figure 3-1 show, the Color LCD Controller has a separate AHB, the LCD AHB, on which it is the only master. This allows the CLCDC to keep its pixel data FIFO full. This design feature makes it possible for the LH7A404 to support larger displays easily by preventing USB Host, DMA, or ARM922T activity from starving the display FIFO.

Table 3-2 and Figure 3-4 show the blocks residing on the AHB. Arbitration ensures only one Master has access to the bus at any one time. The arbiters observe all concurrent bus requests and identify the highest priority Master requesting the bus.

The priority order of bus mastership is:

- USB Host and DMA Controller (programmable)
- ARM922TDMI Core
- TIC Controller
- During normal operation, the masters are the USB Host, DMA Controller, and ARM Core. Priority is controlled in the Bus Master Arbitration Register (BMAR) in the CSC. BMAR allows priority of the USB Host and DMA Controller to be swapped. Also, the priority of the ARM Core can be exchanged with the USB Host/DMA Controller, or always be lower priority. See the description of BMAR in the Clock and State Controller chapter.

The following comprise the LH7A404 arbitration scheme, as shown in Figure 3-4:

- The main AHB system bus arbiter controls system AHB access for the ARM922T Core and the DMA controller. The ARM922T Core and the DMA Controller have the following order of priority, corresponding to the system clocking and power states:
 - In Halt and Standby, the arbiter grants bus mastery to the default bus Master, the ARM922T Core.
 - The DMA Controller Halt request has a higher priority than the ARM922T Core request. In normal operation, when the ARM922T has bus mastery and a Halt request occurs, the ARM922T loses bus mastery. The DMA Controller bus can be used during Halt, but is shut down while the LH7A404 is entering Standby.
- The eSRAM Slave arbiter, controlling system AHB and LCD AHB access for the eSRAM. The LCD AHB has priority.
- The SDMC Slave arbiter, controlling system AHB and LCD AHB access for the SDMC. The LCD AHB has priority.
- The EBI arbiter, controlling SDMC and SMC access for the EBI. The SDMC has priority. External Bus Interface

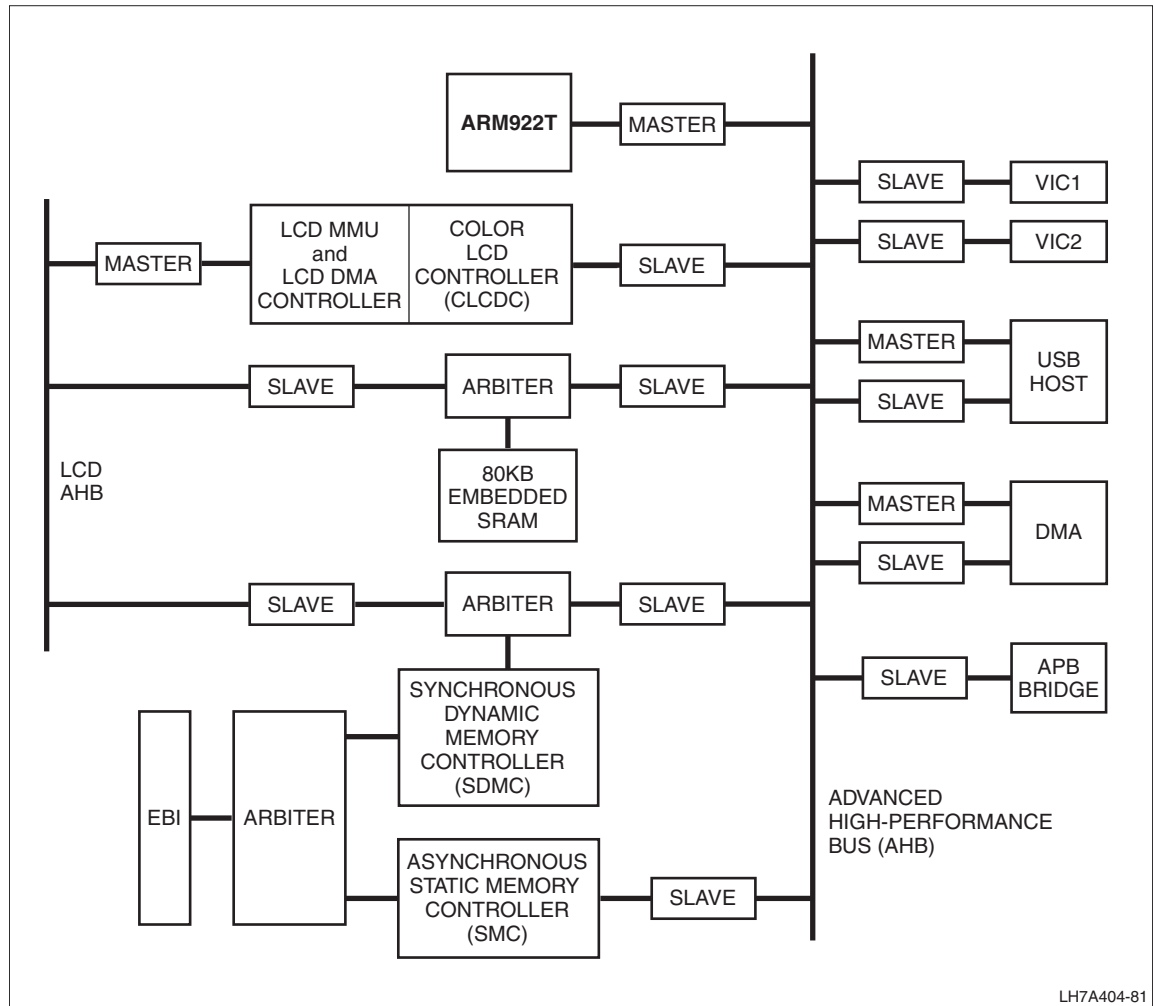


Figure 3-4. AHB Masters and Slaves

Table 3-2. AHB Blocks

ADDRESS RANGE	REGISTER WIDTH	BLOCK
0x8000.A000 - 0x8000.AFFC	32 bits	VIC2
0x8009.9000 - 0x8000.9FFC	32 bits	USB Host
0x8000.8000 - 0x8000.8FFC	32 bits	VIC1
0x8000.3000 - 0x8000.37FC	32 bits	Color LCD Controller (CLCDC), including palette
0x8000.2800 - 0x8000.2BFC	32 bits	DMA Controller (DMAC)
0x8000.2400 - 0x8000.27FC	32 bits	Synchronous DRAM Controller (SDMC)
0x8000.2000 - 0x8000.23FC	32 bits	Static (Asynchronous) Memory Controller (SMC)

The 32-bit-wide EBI, shown in Figure 3-5, provides external memory access for the ARM922T Core, the CLCDC, USB Host DMA, and the DMA controller. Memory devices supported:

- Asynchronous RAM, ROM, and Flash
- Synchronous DRAM and Flash
- PC Cards (PCMCIA and CompactFlash)

The SDMC and SMC use the EBI for activity involving the ARM922T Core, the DMA controller, and the CLCDC. The ARM922T Core, USB Host, and the DMA Controller share the system AHB, providing access to eSRAM and via the SDMC and SMC to all external memory devices. The CLCDC can use an internal frame buffer in the eSRAM and an extension buffer in external SDRAM, accessed via the SDMC, for dual panel or large displays. The EBI arbiter grants control only when an existing access has been completed.

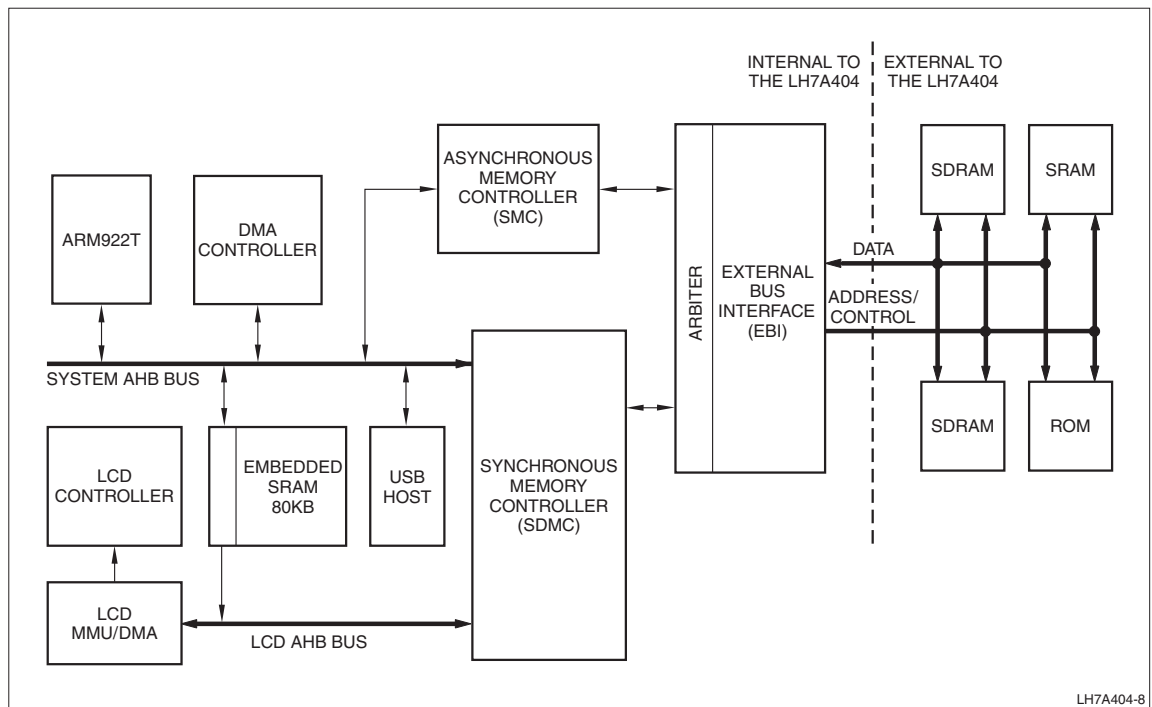


Figure 3-5. LH7A404 External Memory Interface

3.2.1.2 Clock Generation and Bus Clocking Modes

The AHB clocking modes determine the relative operating frequencies of the ARM922T Core and the AHB, and the associated AHB access considerations. The Core and Cache and the AHB interface can operate in any of the clocking modes summarized in Table 3-3:

- Fastbus Extension
- Synchronous Bus
- Asynchronous Bus Mode is not supported

The clocking modes can have significant impact on power consumption and system throughput, depending on the application and the speed of external memory. For example:

- Separate signals clock the Core and the AHB. The Core can operate at a much higher frequency than the AHB. This higher Core speed benefits applications running from the Cache more than applications needing frequent AHB access, because each AHB access requires resynchronizing the Core and AHB.
- Core and AHB activity can operate in parallel with buffered writes to the AHB. However, all read accesses stall the Core until bus access is completed. Software can use the bus clocking modes to maximize throughput by reducing the resynchronization delays; that is, by minimizing the number of wait states.

Table 3-3. Clocking Mode Comparisons

PARAMETER	STANDARD	FASTBUS EXTENSION
	SYNCHRONOUS BUS	
Clock Signals	HCLK, FCLK	HCLK, HCLK_CPU
Function	HCLK clocks the AHB. FCLK clocks the Core.	HCLK clocks the AHB. HCLK_CPU clocks the Core.
Clock Signal Frequency Limitations	Requires $FCLK \geq HCLK$. FCLK must be an integer multiple (harmonic) of HCLK.	The Core operating speed is limited by the maximum AHB speed.
Synchronization	The Core and the AHB are always synchronized, but can be operated at different frequencies.	The Core and the AHB are inherently synchronized. No additional synchronization logic is required.
AHB Access	1 wait state minimum.	No wait states.
Advantages	The Core can operate much faster than the AHB, but the Core speed must be an even integer multiple (harmonic) of the AHB frequency. Using a slower HCLK can reduce the power consumption.	The Core and the AHB operate at the same frequency, driven by the same clock. Inherent synchronization avoids the logic required in the other two bus clocking modes and requires no wait states.
Limitations	The Core operating speed is limited by the maximum Core and AHB speeds. Memory accesses impose delays when the Core and bus operate at different speeds.	The Core operating speed is limited by the maximum AHB speed. Memory access imposes no synchronization delays.
Uses	For CPU-intensive applications	For memory-access intensive applications

3.2.1.3 Standard Bus Clocking Modes

The standard Synchronous bus clocking mode is useful for processor-intensive operations that can operate out of cache for a relatively high percentage of the time. Standard bus clocking uses two clocks: HCLK and FCLK.

For information on clock generation and clock domains, see the chapter in this User's Guide entitled Clock and State Controller.

The AHB interface is clocked by HCLK, qualified by a WAIT signal. Figure 3-6 shows the Standard mode clocking. FCLK drives the Core and Cache, while HCLK drives the bus. FCLK must always be \geq HCLK, on a cycle-by-cycle basis.

In Synchronous Bus mode, the FCLK frequency must be programmed as an even, integer multiple of the HCLK frequency (an even harmonic). Synchronous Bus mode accesses require a re-synchronization delay of at least one wait state.

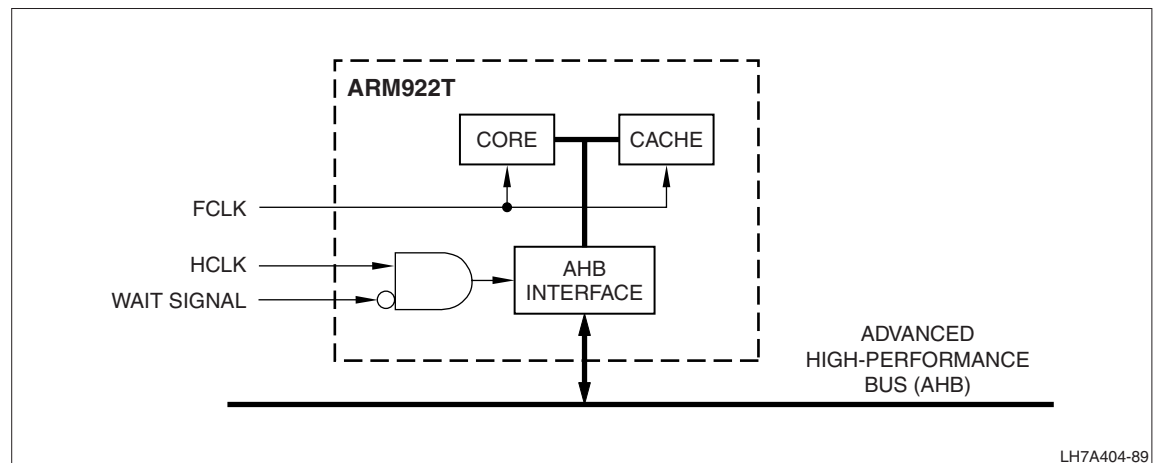


Figure 3-6. Standard Mode Clocking

3.2.1.4 Fastbus Extension Bus Clocking Mode

Designs involving frequent high-speed memory accesses can benefit from the Fastbus Extension mode. This inherently synchronous mode clocks the Core, Cache, and AHB at the same frequency. In contrast to the Standard mode usage of two different clocks, the Fastbus Extension mode operates the Core, Cache, and AHB interface using two signals derived from the same source — essentially, the same clock. Figure 3-7 shows the Fastbus Extension clocking. Fastbus Extension mode accesses require no re-synchronization delays.

The Fastbus Extension mode is useful for applications involving frequent AHB accesses. Although the Core frequency is limited by the AHB maximum frequency, the Fastbus Extension mode avoids the wait state penalties imposed by the Standard modes.

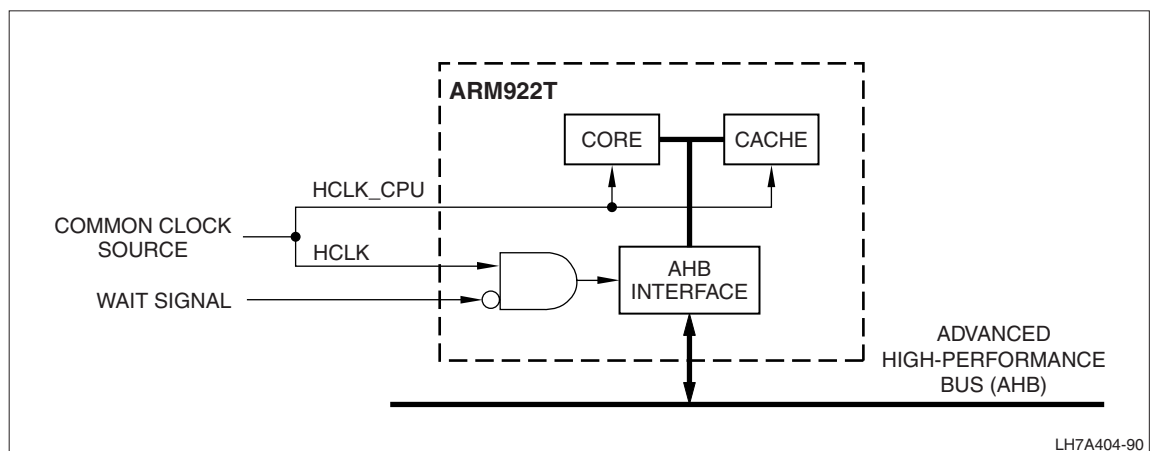


Figure 3-7. Fastbus Mode Clocking

3.2.1.4.1 Reset Condition

After reset, the LH7A400 is in Fastbus Extension mode, using only HCLK and not FCLK. Switch to Synchronous Bus mode to use FCLK for internal cached operations and HCLK for external (AHB) operations.

To switch modes, use Coprocessor 15 (CP15) Register 1, as described in the ARM documentation. The programming sequence depends on the switching direction:

- When switching from a divide ratio of 1 to 2 or more, change the bus mode to Synchronous Bus mode before writing the CLKSET register.
- When switching from a divide ratio of 2 or more to 1, change the bus mode to Fastbus Extension mode after writing to the CLKSET register and returning out of Standby.

3.2.2 Advanced Peripheral Bus (APB)

The LH7A404 includes an APB for on-chip peripherals. The APB peripherals communicate with the AHB through a Bridge. The APB is designed for low-speed peripherals requiring lower performance than a pipelined interface such as the AHB. Table 3-4 shows the addresses of the peripherals on the APB.

Table 3-4. APB Peripheral Address Map

ADDRESS RANGE	REGISTER WIDTH	PERIPHERAL
0x8000.2000 - 0x8FFF.FFFF	32 bits	AHB peripherals
0x8000.1500 - 0x8000.1FFC		Reserved
0x8000.1400 - 0x8000.14FC	16 bits	Watchdog Timer (WDT)
0x8000.1300 - 0x8000.13FC	16 bits	Touch Screen Controller (TSC)
0x8000.1200 - 0x8000.12FC	16 bits	PS/2 Keyboard/Mouse Interface (KMI)
0x8000.1100 - 0x8000.11FC	16 bits	Pulse Width Modulators (PWM3, PWM4)
0x8000.1000 - 0x8000.10FC	16 bits	Advanced LCD Interface (ALI)
0x8000.0F00 - 0x8000.0FFC	32 bits	Battery Monitor Interface (BMI)
0x8000.0E00 - 0x8000.0EFC	16 bits	General Purpose Input and Output (GPIO Ports A through F)
0x8000.0D00 - 0x8000.0DFC	32 bits	Real Time Clock (RTC)
0x8000.0C00 - 0x8000.0CFC	16 bits	Timer Counters (TC1, TC2, TC3)
0x8000.0B00 - 0x8000.0BFC	16 bits	Synchronous Serial Port Controller (SSP)
0x8000.0A00 - 0x8000.0AFC	16 bits	Audio Codec Interface
0x8000.0900 - 0x8000.09FC	16 bits	DC-DC Converters (PWM0, PWM1)
0x8000.0800 - 0x8000.08FC	16 bits	UART3
0x8000.0700 - 0x8000.07FC	16 bits	UART2
0x8000.0600 - 0x8000.06FC	16 bits	UART1 and Infrared Interface
0x8000.0500 - 0x8000.05FC		Reserved
0x8000.0400 - 0x8000.04FC	16 bits	Clock and State Controller (CSC)
0x8000.0300 - 0x8000.03FC	32 bits	Smart Card Interface (SCI)
0x8000.0200 - 0x8000.02FC	32 bits	USB Device
0x8000.0100 - 0x8000.01FC	32 bits	MultiMediaCard/SD Controller (MMC/SD)
0x8000.0000 - 0x8000.00FC	16 bits	AC97 Codec Interface (AC97)

3.2.3 The AHB-to-APB Bridge

The Bridge provides the ARM922T Core with transparent access to each peripheral on the APB. The Bridge is an AHB slave, providing an interface between the high speed AHB and the low power APB. Read and write transfers on the AHB are converted into equivalent transfers on the APB. Because the APB is not pipelined, wait states are added during transfers to and from the APB when the AHB must wait for the APB.

The Bridge includes the following blocks:

- AHB slave bus interface
- APB transfer state machine, independent of the device memory map
- APB output signal generation.

The APB bridge responds to transaction requests from the current AHB Master and converts AHB transactions into APB transactions. When an undefined location is accessed, normal system operation continues, but no peripherals are selected.

Software can select the APB speed to be a 2, 4, or 8 division of the AHB speed.

3.3 The DMA Controller

The DMA Controller provides alternative Core access for the SD/MMC, USB Device, UART, and AC97 peripheral blocks. The DMA controller can also perform memory-to-memory transfers between any device on the AHB, including external memory and external memory-mapped I/O devices.

Using a DMA operation to access a peripheral block can improve system performance, when the software is structured to ensure the Core runs in Cache during the DMA operation. The DMA Controller can block Core AHB or APB access.

Chapter 4

Boot ROM

4.1 Theory of Operation

The LH7A404 can be booted from either an external device, or from the internal Boot ROM. Booting from the internal ROM results in the ROM code determining the type and location of an external non-volatile device from which boot code will be loaded for LH7A404 core execution. Once the device and location is determined, the Boot ROM code reads exactly 4KB of code from that location and stores it at physical address 0xB0000000. Finally, the Boot ROM transfers control to that code by setting the Program Counter to 0xB0000000 and writes to the BOOTCLR register in the Clock and State Controller, removing the Boot ROM from the memory map. Using the internal Boot ROM allows multiple boot devices and scenarios to be used in different applications.

The Boot ROM employs no error checking other than that specified by a protocol, if applicable, and does not utilize the MMU or caches. The Boot ROM code assumes a 14.7456 MHz crystal is connected to the LH7A404. The system clock speeds are not altered from the power-up default.

4.1.1 Compatible External Boot Devices

The Boot ROM code supports booting from these nonvolatile external memory devices:

- 3-, 4-, and 5-byte address NAND flash with an 8-bit or 16-bit interface
- I²C EEPROM with 2-byte addresses (4KB to 256KB)
- XMODEM over UART2 at 115kbits/s, no parity, 8 data bits, 1 stop bit.

4.1.2 Boot Device Selection

The device from which the LH7A404 will boot is selected by reading the state of five pins: INTBOOT, MEDCHG, WIDTH0, WIDTH1 and GPIO PA7 pins. The state of these pins is latched on the rising edge of nPOR. Table 4-1 shows the boot selections with INTBOOT = 1. Refer to Chapter 3 for details regarding booting from an external device (INTBOOT = 0).

Table 4-1. Boot Modes

BOOT DEVICE	GPIO PA7	LATCHED MEDCHG	LATCHED WIDTH1	LATCHED WIDTH0	LATCHED INTBOOT
External device	x	x	x	x	0
8-bit interface, 3-byte address NAND Flash	0	0	0	0	1
8-bit interface, 4-byte address NAND Flash	0	0	0	1	1
8-bit interface, 5-byte address NAND Flash	0	0	1	0	1
16-bit interface, 3-byte address NAND Flash	1	0	0	0	1
16-bit interface, 4-byte address NAND Flash	1	0	0	1	1
16-bit interface, 5-byte address NAND Flash	1	0	1	0	1
XMODEM using UART2	0	1	0	0	1
I ² C EEPROM	0	1	0	1	1
Undefined	0	0	1	1	1
	0	1	1	1	1
	1	0	1	1	1
	1	1	x	x	1

NOTE: 'x' = Don't Care

4.1.3 Booting From NAND Flash

The Boot ROM code supports 3-, 4-, and 5-byte address NAND Flash devices in both 8- and 16-bit configurations. The Boot ROM assumes that the NAND Flash device is connected to the LH7A404 as shown in Table 4-2.

The Boot ROM code assumes that the nCS6 address space is reserved for NAND Flash. System designers must ensure that there are no contending devices in this space. It is highly recommended that the write-enable and read-enable signals be qualified with nCS6 as shown in the schematic in Figure 4-1.

Table 4-2. NAND Flash Electrical Connections

LH7A404 SIGNAL	NAND FLASH SIGNAL
D[7:0] or D[15:0]	I/O[7:0] or I/O[15:0]
PC6	nCE
nWE	nWE
nOE	nRE
A20	ALE
A21	CLE

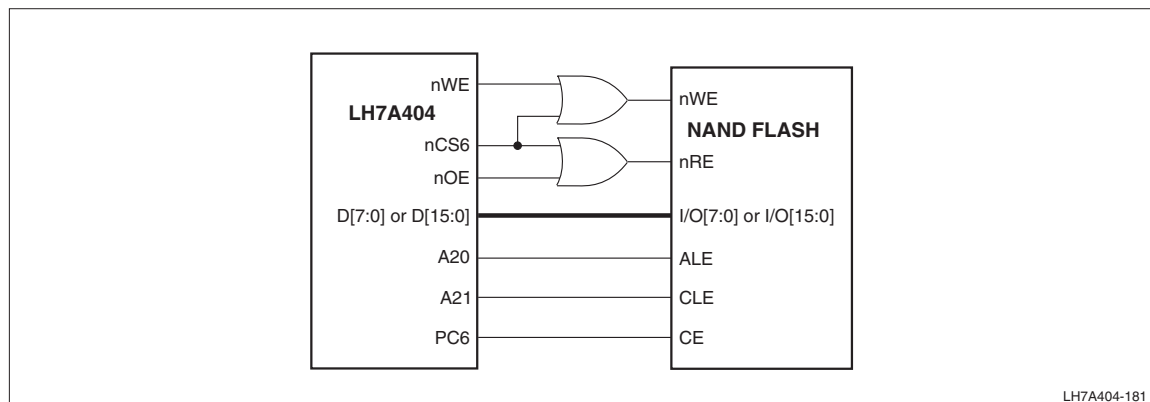


Figure 4-1. Recommended Connection to NAND Flash

Following reset, GPIO Port C6 output is LOW. This is changed to output a HIGH by the Boot ROM code. Boot ROM code reads the states of MEDCHG, WIDTH0, WIDTH1 and GPIO PA7 to determine the type of NAND flash device (or other device) that is connected to the LH7A404. This information is logged in the Boot Status memory area, defined in Table 4-3, for debug purposes. If the state of the pins and the device connected do not match, the boot process may be terminated unexpectedly (see Section 4.1.6). The Boot ROM code will transfer 4KB starting at page 0 of the NAND flash device into internal RAM starting at physical address 0xB0000000. The Boot ROM code will not perform any error checking and will ignore the ECC blocks. Once 4KB has been transferred, the Boot ROM code sets the program counter to 0xB0000000 and writes to the BOOTCLR register. This removes the internal Boot ROM from the memory map and transfers control to the LH7A404 operating software at address 0xB0000000.

4.1.4 Booting From an I²C Device

The Boot ROM code supports booting from I²C EEPROM devices. If the MEDCHG, WIDTH0, WIDTH1 and GPIO PA7 pins are configured to indicate an I²C boot device, the Boot ROM code assumes that the I²C EEPROM is connected to the SMB pins with SMBCLK to I²C Clock and SMBD to I²C Data. The device address when booting from I²C is 0xA0.

This information is logged in the Boot Status memory area, defined in Table 4-3, for debug purposes. The Boot ROM code configures the BMI controller to SMB mode and attempts to read 4KB from the device. The Boot ROM code assumes that the I²C device uses a two-byte addressing scheme. This restricts the I²C device size to be between 4KB and 256KB. Data is transferred to internal SRAM at 0xB0000000. Once 4KB has been transferred, the Boot ROM code sets the program counter to 0xB0000000 and writes to the BOOTCLR register. This removes the internal Boot ROM from the memory map and transfers control to the LH7A404 operating software at address 0xB0000000.

4.1.5 Booting From UART2 Using XMODEM

The Boot ROM code supports booting via XMODEM over UART2. If the MEDCHG, WIDTH0, WIDTH1 and GPIO PA7 pins are configured to indicate that the boot device is UART, the Boot ROM code logs this into the Boot Status memory area, defined in Table 4-3, for debug purposes.

The XMODEM checksum protocol is used to perform the file transfers. Only 128-byte data packets are supported. XMODEM CRC and XMODEM 1K are not supported by the Boot ROM code. Popular Windows-based terminal emulators like Hyperterminal and Tera-Term Pro support the XMODEM protocol mode used by the Boot ROM code.

The Boot ROM code sends the XMODEM NACK character at 10-second intervals, waiting for the transmitter to start. Characters other than the XMODEM Start of Header (SOH) are echoed back. This allows users to bring up a terminal emulator and type characters to ensure that the LH7A404 is alive and responsive. On receiving an XMODEM SOH character (0x01), the Boot ROM code switches to XMODEM transfer mode and receives data according to the XMODEM protocol. The one departure from the XMODEM specification is with regard to the one-second timeout per character during a packet transfer. The Boot ROM code times out an entire packet in one second. This should not be an issue with modern terminal emulators operating at 115 kbits/s, where an entire packet should get transferred in less than 15 ms.

Once 4KB has been transferred, the Boot ROM code sets the program counter to 0xB0000000 and writes to the BOOTCLR register. This removes the internal Boot ROM from the memory map and transfers control to the LH7A404 operating software at address 0xB0000000.

4.1.6 Logging and Error Handling

The top of internal RAM is used for logging useful information for debugging. The highest word address in internal RAM, 0xB0013FFC, is used to log the boot mode pins state. Below that is a 32-word area used to log boot-device-specific information. For example, if the boot device is NAND flash, the manufacturer ID and device ID are logged in this area. A 32-word area below this is used to log error debug information.

If, during the boot process, an error occurs that causes the processor to enter any of the error exception modes, a default handler traps the exception and logs processor state — the CPSR, SPSR, and all registers — to the error log area. It then waits in a loop, allowing a debugger to break in and examine the memory contents to determine the error state.

The memory map of high internal memory is shown in Table 4-3.

The Boot Device Log Area contains information read from the boot device as well as the ARM9, and is different for each boot device. For NAND flash, it contains the Manufacturer ID and the Device ID. The Log Area is unused for I²C EEPROM and UART.

Table 4-3. Boot Log Memory Map

ADDRESS	CONTENTS
0xB0013FFF	Top of Internal SRAM
0xB0013FFC	Latched state of pins GPIO PA7, MEDCHG, WIDTH1, and WIDTH0, in that order, right justified.
0xB0013FF0	Top of Save Status Store address
0xB0013FEC	ARM9 Exception Mode Link Register
0xB0013FE8	ARM9 Exception Mode Stack Pointer
0xB0013FE4	ARM9 Exception Mode Current Processor Status Register
0xB0013FE0	ARM9 Exception Mode Saved Processor Status Register
0xB0013FDC – 0xB0013FAC	ARM9 Registers R12 through R0 (in that order)
0xB0013FA8	ARM9 MMU Control Register Value
0xB0013FA4	ARM9 MMU Translation Table Register
0xB0013FA0	ARM9 MMU Fault Status Register
0xB0013F9C	ARM9 MMU Fault Address Register
0xB0013F98	ARM9 MMU Domain Access Control Register
0xB0013F94	ARM9 Faulting Mode Link Register
0xB0013F90	ARM9 Faulting Mode Stack Pointer
0xB0013F8C	ARM9 Faulting Mode Saved Processor Status Register (if Fault Mode is not User or System)
0xB0013F70	Top of Boot Status Log Area
0xB0013FF0	Bottom of Boot Status Log Area
0xB0013EF1	NAND Flash Manufacturer ID
0xB0013EF0	NAND Flash Device ID

4.2 Register Reference

This section describes the Boot ROM register.

4.2.1 Memory Map

The Boot ROM register offset is relative to the Clock and State Controller base address (CSCBase), 0x8000.0400.

4.2.2 Register Descriptions

The following section describes the contents and use of the register bit fields.

4.2.2.1 Boot ROM Clear Register (BOOTCLR)

This register is a write-only register that, when written to, removes the Boot ROM from the memory map.

Table 4-4. BOOTCLR Register

BIT	31	30	29	28	27	26	25	24	23	22	21	20	19	18	17	16
FIELD	BOOTCLR															
RESET	0	0	0	0	0	0	0	0	0	0	0	0	0	0	0	0
TYPE	WO	WO	WO	WO	WO	WO	WO	WO	WO	WO	WO	WO	WO	WO	WO	WO
BIT	15	14	13	12	11	10	9	8	7	6	5	4	3	2	1	0
FIELD	BOOTCLR															
RESET	0	0	0	0	0	0	0	0	0	0	0	0	0	0	0	0
TYPE	WO	WO	WO	WO	WO	WO	WO	WO	WO	WO	WO	WO	WO	WO	WO	WO
ADDR	0x8000.0458															

Table 4-5. BOOTCLR Bit Fields

BITS	NAME	DESCRIPTION
31:0	BOOTCLR	Boot ROM Clear This field always reads as 0. Writing any value to this field causes the Boot ROM to be removed from the memory map.

Chapter 5

Static Memory Controller (SMC)

5.1 Theory of Operation

The Static Memory Controller (SMC) is an AHB slave device, providing an interface between the LH7A404 Advanced High-Speed Bus (AHB) and external memory devices. Figure 5-1 shows a block diagram of the LH7A404 SMC.

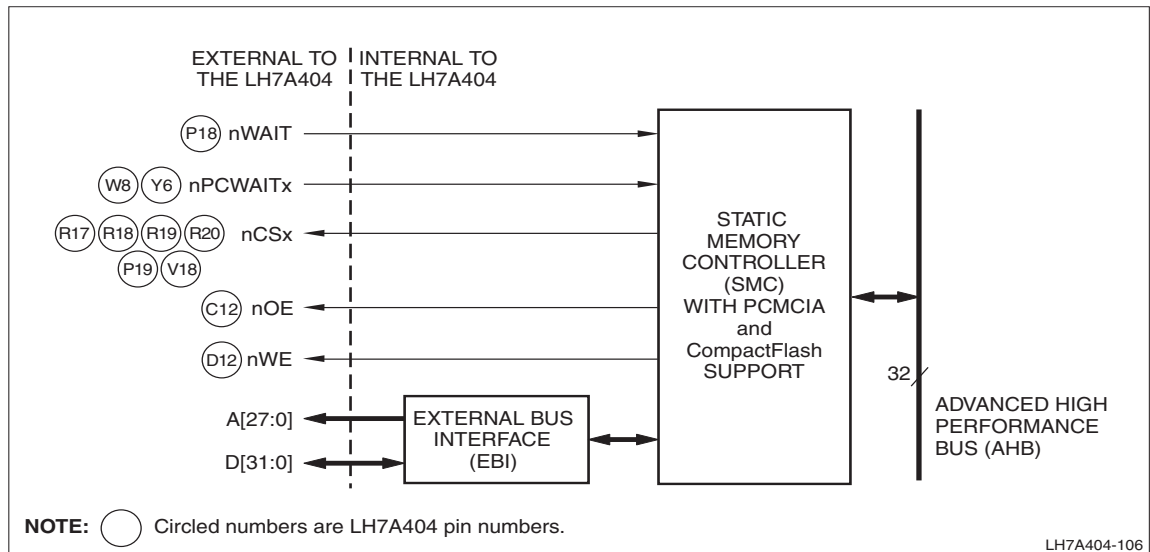


Figure 5-1. SMC Block Diagram

The SMC provides access to static memory devices on the external bus, and can be used to interface to a wide variety of external device types, including SRAM, ROM, and PC Cards. The LH7A404 includes separate memory controllers for SDRAM devices and for the 80KB of embedded SRAM.

The SMC supports eight independently configurable memory banks:

- Two banks dedicated to PCMCIA and CompactFlash (CF) interfaces
- Six banks of external memory, each addresses up to 256MB using external chip select signals.

Each memory bank can use devices with either 8-, 16-, or 32-bit external data paths. The SMC supports asynchronous page mode and burst mode read operations and allows up to 32 programmable wait states and programmable bus turnaround cycles.

The following parameters are programmable for each bank of external memory controlled by the SMC:

- Bus turnaround (idle) cycles
- Read and Write wait states, for static RAM devices
- Initial and subsequent burst read wait states
- Write protection
- Burst mode operation for burst ROM devices
- 8-, 16-, or 32-bit external memory width
- Byte lane enable controls
- nPCWAITx handshake for PCMCIA and CF; nWAIT for SRAM and other memory mapped peripherals

The base address of each bank is hard-coded by the address decoder. A separate SMC Chip Select signal (nCS[3:0] and nCS[7:6]) is provided for each bank of memory.

Byte-Lane Enable signals (nBLE[3:0]) are available for use with memory devices of varying widths. Each SMC memory bank has an associated configuration register specifying memory width.

5.1.1 Operation Overview

The SMC performs six primary functions:

- Memory bank selection
- Access sequencing
- Wait state generation
- Byte lane write control
- External bus interface
- CF or PCMCIA interfacing.

Upon power-on reset, the software must configure the SMC for the external devices connected to the system. Configuring and operating the SMC is outlined here.

5.1.1.1 Configuring the Multiplexed Pins

Many of the pins used by the SMC are multiplexed with other LH7A404 functional blocks. Application design must take into account which functions will be used and the pins required for those functions.

Upon reset, software must configure the pins used by the SMC by writing to the PINMUX register.

5.1.1.2 Using External Memory

After the pin multiplexing is complete, software must set up the memory bank registers to be compatible with the hardware present. The SMC can interface with external static memory of a variety of data widths and timing requirements. This is done by programming the Bank Configuration registers (BCRx) for each bank with the memory width (8-, 16-, or 32-bit), wait states, read/write turnaround times, and specific SRAM and ROM parameters.

External memory is mapped into up to six banks, each with 256MB of addressable space. Addressing within each bank takes place on the 28 external address pins of the LH7A404. Bank selection is determined with active LOW chip select pins (nCS[3:0] and nCS[7:6]). The hardware design determines memory bank addressing and memory device type.

Once set up, the SMC then handles all necessary timing, including the logic for making transfers of disparate width data between the external memory bus and the internal AHB. For example, if the external data path is 8 bits, when reading the SMC will assemble four 8-bit bytes into one 32-bit word for transfer on the AHB. When writing, the SMC parses a 32-bit word from the AHB into four 8-bit bytes to be sequentially sent over the external data bus to the external memory devices.

5.1.2 Using PCMCIA and CompactFlash

Two of the eight addressable banks are configured to support PC Cards (PCMCIA and CF devices). The two PC Card slots are selected by the CF and PCMCIA address pins (CFA[10:8] and PCMCIA[25:24]). Three sets of parameters must be programmed by software for each of the two PC Card slots. These three registers contain parameters for the PC Card Attribute address space, Common Memory address space, and I/O address space. If a PCMCIA device is used in one or both slots, parameters specific to the PCMCIA must be programmed by software writing to the PCMCIA Control register (PCMCIACON).

Once configured, the SMC handles all timing, data sequencing, and PC Card access logic.

5.1.3 Pin Multiplexing

The SMC CABGA pin assignments and multiplexing are shown in Table 5-1.

Table 5-1. SMC Multiplexing

PIN	SIGNAL	DESCRIPTION	MULTIPLEXING
Y6	CFA10	CF address bit 10, in single card mode	GPIO Port H5
	PCMCIAA24	PCMCIA address bit 24, in single card mode	
	nPCWAIT2	CF and PCMCIA, in dual card mode, wait state extension for Card 2	
U6	CFA9	CF address bit 9, in single card mode	GPIO Port H3
	PCMCIAA25	PCMCIA address bit 25, in single card mode	
	nPCSLOTE2	CF and PCMCIA Card 2 Enable, in dual card mode, gating other control signals to the PC Card in Bank 5	
Y5	CFA8	CF address bit 8, in single card mode	GPIO Port H1
	PCRESET2	CF and PCMCIA, in dual card mode, Reset Card 2	
W5	nPCCE1	CF and PCMCIA Card Enable 1, used with nPCCE2 by both PC Cards for decoding low and high byte accesses	GPIO Port G5
Y4	nPCCE2	CF and PCMCIA Card Enable 2, used with nPCCE1 by both PC Cards for decoding low and high byte accesses	GPIO Port G6
W7	nPCSLOTE1	CF and PCMCIA Card 1 Enable, in single or dual card mode, gating other control signals to the PC Card in Bank 4	GPIO Port H2
Y2	nPCOE	CF and PCMCIA Output Enable Attribute and Common Memory space read control	GPIO Port G0
U7	nPCSTATRE	CF and PCMCIA Status Enable, for enabling a data bus buffer to read the Battery Voltage Detect and Voltage Sense card signals	GPIO Port H7
Y2	nPCWE	CF and PCMCIA Write Enable, Attribute and Common Memory space write control	GPIO Port G1
A7	PCRDY1	CF and PCMCIA, in single or dual card mode, ready for Card 1	GPIO Port F6 or External IRQ Interrupt 5
A9	PCRDY2	CF and PCMCIA, in dual card mode, ready for Card 2	GPIO Port F7 or External IRQ Interrupt 6
T5	nPCREG	CF and PCMCIA Attribute or Common Memory space selection	GPIO Port G4
W8	nPCWAIT1	CF and PCMCIA, in single or dual card mode, wait state extension for Card 1	GPIO Port H4
Y3	nPCIOR	CF and PCMCIA I/O space read control	GPIO Port G2
U5	nPCIW	CF and PCMCIA I/O space write control	GPIO Port G3
W6	PCDIR	CF and PCMCIA Data Direction	GPIO Port G7
V6	PCRESET1	CF and PCMCIA, in single or dual card mode, Reset Card 1	GPIO Port H0

5.1.3.1 Non-SMC Systems

When the MultiMediaCard (MMC) adapter is enabled, the SMC Bank 3 Chip Select pin is used by the MMC for the SPI Chip Select signal.

5.1.3.2 General Purpose I/O and SMC PC Card Multiplexing

The PCMCIA and CompactFlash (CF) signals are multiplexed with GPIO Ports G, H, F6, and F7. To select between Card or GPIO operation, and to configure the system for one or two cards (any combination of PCMCIA and CF Cards), set the PCMCIA Control register PC Cards 1 and 2 Enable field (PCMCIACON:PC12EN[1:0]):

- 00 disables both cards, configuring ports G and H as GPIO.
- 01 enables one card in CF mode at 0x4000.0000 (Slot 0).
- 10 enables one card in PCMCIA mode at Slot 0.
- 11 enables two cards, with Card 1 at Slot 0 and Card 2 at 0x5000.0000 (Slot 1). Either card can be CF or PCMCIA.

At reset, all pins default to GPIO, and Port G and H pin states at reset are:

- Port G Output LOW
- Port H Input
- No cards enabled; Ports G and H configured as GPIO (PC12EN = 00).

Figure 5-2 shows an example of a single card configuration with a CompactFlash card (PC12EN = 01).

Figure 5-3 shows an example of a dual card configuration (PC12EN = 11) with a PCMCIA card in Slot 0 (Card 1) and a CompactFlash card in Slot 1 (Card 2).

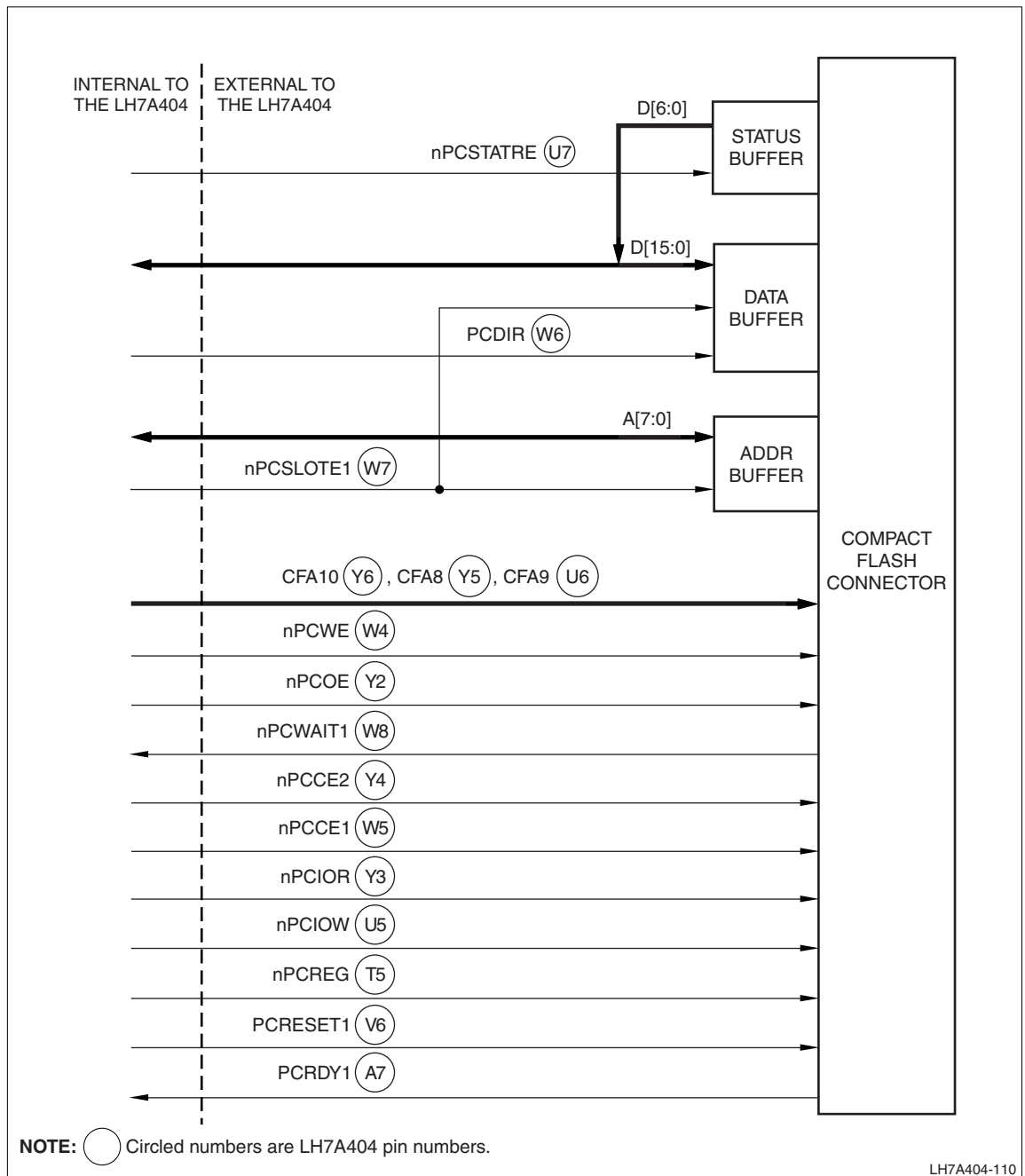


Figure 5-2. CompactFlash Single Card Example (PC12EN = 01)

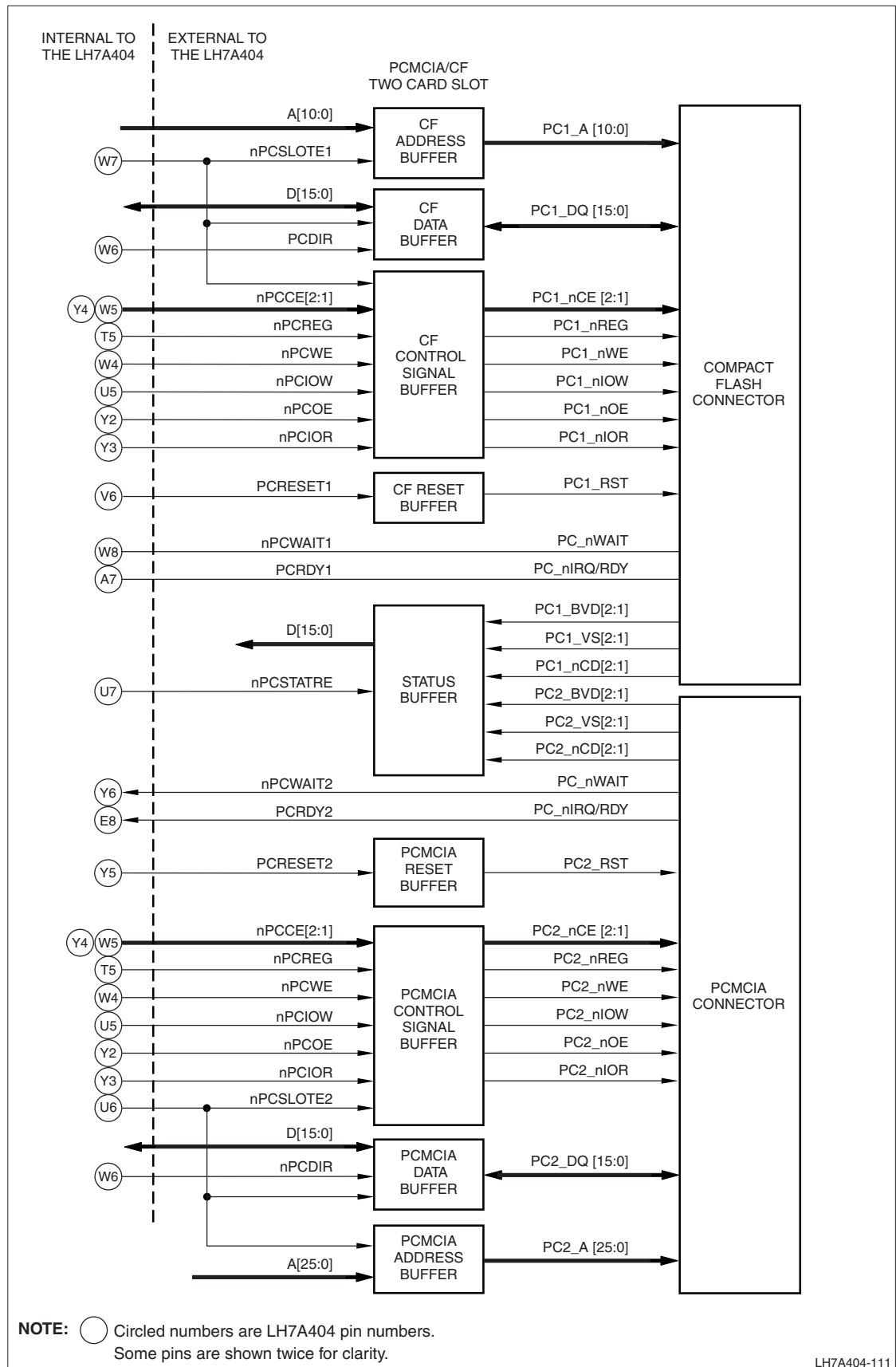


Figure 5-3. PCMCIA and CompactFlash Dual Card Example (PC12EN = 11)

When selected by PCMCIACON programming for SMC use, the PC Card signals are further multiplexed for PCMCIA or CF configuration and for one card or two card configuration, as shown in Table 5-2.

When two cards are present, the following control signals are gated for the appropriate card by asserting nPCSLOTE1 (for the card in Bank 4) or nPCSLOTE2 (for the card in Bank 5):

- nPCOE
- nPCREG
- nPCWE
- nPCCE1
- nPCIOR
- nPCCE2
- nPCIOW

When only one card is present, the CompactFlash address lines CFA8, CFA9, and CFA10 and the PCMCIA addresses PCMCIAA24 and PCMCIAA25 are also gated with PCSLOTE1, based on whether the card is PCMCIA or CompactFlash. In a two card system, buffer these signals from the main address bus.

The nPREG signal can be independently configured for GPIO or PCMCIA control of the rest of the PCMCIA multiplexing configuration. Setting PCMCIACON:MPREG configures nPREG for control via the GPIO interface.

Table 5-2. PC Card Signal Multiplexing

PIN	GPIO PORT	ONE CARD, CF MODE	ONE CARD, PCMCIA MODE	TWO CARDS*
A7	F6	PCRDY1	PCRDY2	PCRDY1
E8	F7			PCRDY2
Y2	G0	nPCOE	nPCOE	nPCOE
W4	G1	nPCWE	nPCWE	nPCWE
Y3	G2	nPCIOR	nPCIOR	nPCIOR
U5	G3	nPCIOW	nPCIOWR	nPCIOWR
T5	G4	nPCREG	nPCREG	nPCREG
W5	G5	nPCCE1	nPCCE1	nPCCE1
Y4	G6	nPCCE2	nPCCE2	nPCCE2
W6	G7	PCDIR	PCDIR	PCDIR
V6	H0	PCRESET1	PCRESET1	nPCRESET1
Y5	H1	CFA8		PCRESET2
W7	H2	nPCSLOTE1	nPCSLOTE1	nPCSLOTE1
U6	H3	CFA9	PCMCIAA25	nPCSLOTE2
W8	H4	nPCWAIT1	nPCWAIT1	nPCWAIT1
Y6	H5	CFA10	PCMCIAA24	nPCWAIT2
U7	H7	nPCSTATRE	nPCSTATRE	nPCSTATRE

NOTE: *Any Combination of PCMCIA/CF

5.1.4 Memory Bank Selection

Of the eight independently configurable memory banks, Chip Select outputs are available for Banks 0 through 3, 6, and 7. These outputs are the Chip Select signals nCS[3:0] and nCS[7:6], respectively. Instead of Chip Select signals, the PC card control uses Slot Select signals:

- nPCSLOTE1 gates control signals to Card 1 in Bank 4, in both single card and dual card PCMCIA and CF configurations.
- nPCSLOTE2 gates control signals to Card 2 in Bank 5, in dual card PCMCIA and CF configurations.

nCS[3:0] and nCS[7:6] are active LOW. Both nPCSLOTE_x signals are active LOW (where x is 1 for Card 1 and 2 for Card 2). The physical address ranges for each Chip Select and Slot Select are fixed, as shown in Table 5-3. Table 5-4 shows the address spaces of PC cards.

Table 5-3. SMC Memory Bank Selection

ADDRESS RANGE	nCS[7:6]	nCS[3:0]	nPCSLOTE[1:0]	MEMORY CONFIGURATION
0x0000.0000 - 0x0FFF.FFFF	11	1110	xx	Bank 0
0x1000.0000 - 0x1FFF.FFFF	11	1101	xx	Bank 1
0x2000.0000 - 0x2FFF.FFFF	11	1011	xx	Bank 2
0x3000.0000 - 0x3FFF.FFFF	11	0111	xx	Bank 3
0x4000.0000 - 0x4FFF.FFFF	11	1111	01	PC Card Slot 0 Select (Bank 4)
0x5000.0000 - 0x5FFF.FFFF	11	1111	10	PC Card Slot 1 Select (Bank 5)
0x6000.0000 - 0x6FFF.FFFF	10	1111	xx	Bank 6
0x7000.0000 - 0x7FFF.FFFF	01	1111	xx	Bank 7

NOTE: x = 'don't care'.

5.1.4.1 PC Card Address Space

Table 4-6 shows the PC Card (PCMCIA card) address space. In addition to the linear addressing, the status of PCMCIA signals may be read by asserting the nPCSTATRE (PC Card Status Read Enable) pin. Software issues a Read command to the first location in the reserved space for the appropriate card (0x4400.0000 for PC Card 0, or 0x5400.0000 for PC Card 1). This asserts nPCSTATRE for five clock cycles and returns the current value of the data bus. This may be used for sensing the Card Detect, and Voltage signals, and to enable the correct application of power to the card.

Because the data I/O enables may not be configured for a read, software must first perform a dummy read of either attribute memory, common memory, or I/O memory, then execute a status read. This dummy read must be inserted before every status read for proper operation.

The number of status signals depends on the board design. If eight or fewer status signals are used, AHB byte-reads may be used. If more than eight status signals are used, a 16-bit AHB read must be used.

CAUTION

With wait states enabled, an attempt to read a slot without a card present will result in the CPU hanging (continuing to wait for data).

Table 5-4. PC Card Address Space

ADDRESS	SPACE
0X5C00.0000	Socket 2 common memory space
0X5800.0000	Socket 2 attribute space
0X5400.0004	Reserved
0X5400.0000	nPCSTATRE
0X5000.0000	Socket 2 I/O space
0X4C00.0000	Socket 1 common memory space
0X4800.0000	Socket 1 attribute space
0X4400.0004	Reserved
0X4400.0000	nPCSTATRE
0X4000.0000	Socket 1 I/O space

5.1.5 Byte Lane Write Control

Since each bank of external memory must be configured according to the hardware design, the LH7A404 accommodates this through the use of the SMC Bank Configuration Register (BCRx, where x is 0 through 3, 6, or 7). This register allows programming the Chip Select signals (nCS[3:0] and nCS[7:6]) and the Byte Lane Enable signals (nBLE[3:0]) for each bank. The Byte Lane Enable signal operation depends on:

- The bank width programmed in the Bank Configuration Register
- The required transfer width (an 8-bit, 16-bit, or 32-bit access)

Table 5-5 shows the signal coding for 8-bit, 16-bit, and 32-bit little-endian external memory systems. For a PC Card, the two Card Enable signals (nPCCE[2:1]) select the access as high or low byte, as shown in Table 5-6.

Table 5-5. SMC Byte Lane Write Control

ACCESS	EXTERNAL DEVICE WIDTH				
	8-BIT		16-BIT		32-BIT
	A[1:0]	nBLE[0]	A[1]	nBLWE[1:0]	nBLE[3:0]
Word	xx	0	x	00	0000
Half Word	1x	0	1	00	0011
Half Word	0x	0	0	00	1100
Byte	11	0	1	10	0111
Byte	10	0	1	01	1011
Byte	01	0	0	10	1101
Byte	00	0	0	01	1110

Table 5-6. PC Card Access Enable

nPCCE2	nPCCE1	A[0]	D[15:8]	D[7:0]	MODE	ACCESS
1	1	x	High-Z	High-Z	Standby	No Access
1	0	0	High-Z	Even Byte	8- or 16-bit	Even Byte
1	0	1	High-Z	Odd Byte	8- or 16-bit	Odd Byte
0	1	x	Odd Byte	High-Z	16-bit	Odd Byte
0	0	x	Odd Byte	Even byte	16-bit	Even and Odd Byte

External memory can be composed of 8-bit devices or devices partitioned into multiples of a byte. The type of memory devices used for each bank determine how the interface signals must be connected in order to provide byte, half-word or word-wide accesses. For example, Figure 5-4 shows 8-bit wide memory devices connected to the LH7A404 in three different width bank configurations.

The SMC uses the programmed width of each bank (BCRx:MW) to determine how many bytes of the external bus to drive. For example, a byte write to a bank of external memory programmed to be 16 bits wide drives only the lower 16 external interface lines. To ensure the external bus never floats, tie the pins for unused lines either HIGH or LOW through a resistor.

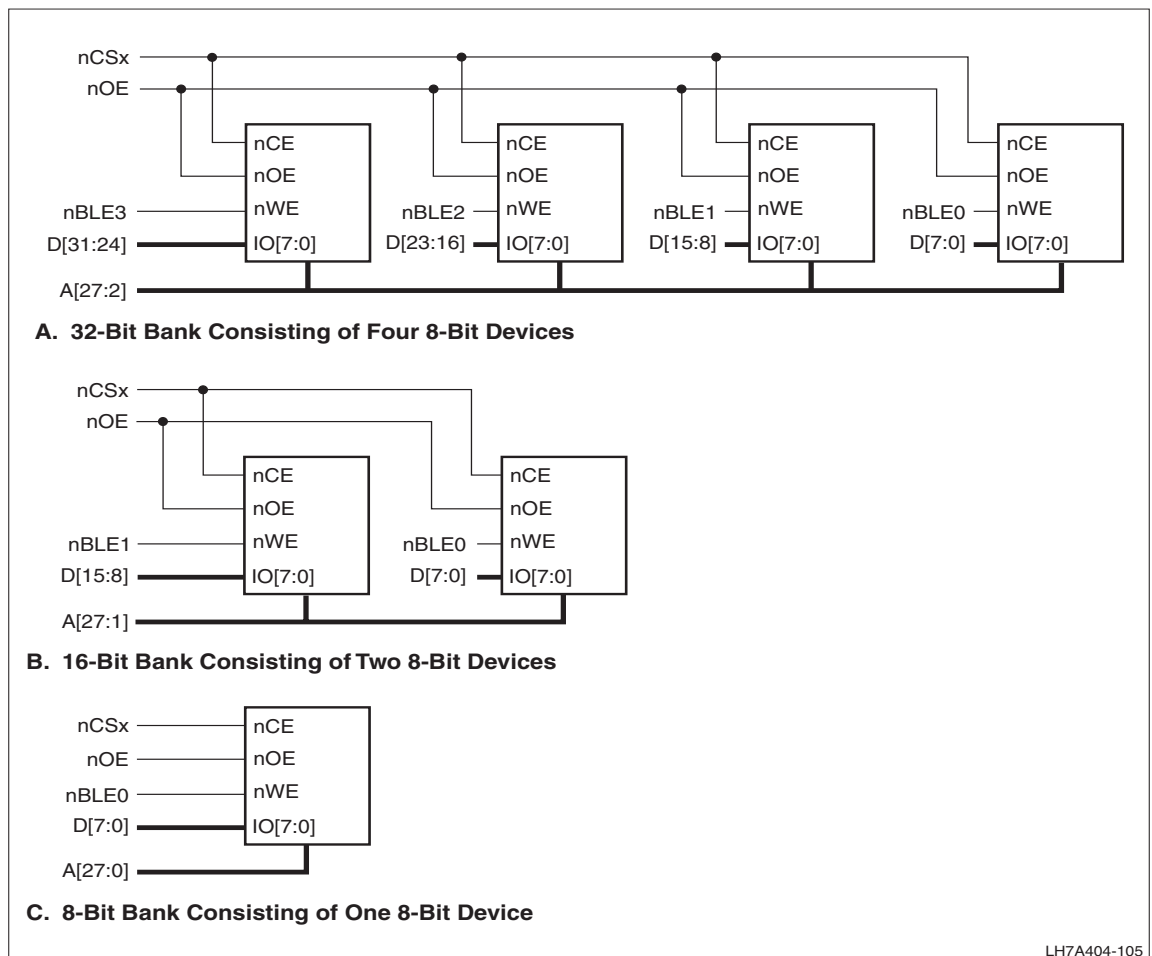


Figure 5-4. Memory Banks Constructed from 8-bit Memory

5.1.6 Access Sequencing

The number of cycles required to complete an AMBA transfer depends on the access width and the external memory width. To configure the external memory device data widths, program the SMC Bank Configuration Registers (BCR[3:0] and BCR[7:6]).

An internal bus transfer can require several external bus transfers when the external memory bus is narrower than the transfer initiated from the SMC. For example, a 32-bit AMBA transfer to an 8-bit external device requires four external accesses. When Bank 0 is configured as 8-bit wide memory, and a 32-bit read is initiated, the AHB stalls while the SMC reads four consecutive bytes from memory and the four bytes are assembled into one 32-bit word. See Chapter 24 for a timing diagram of 32-bit access to an 8-bit device.

The access sequencing supports little-endian operation.

5.1.7 Wait State Generation

Wait State control refers to external bus transfer wait states. This section discusses timing requirements and programming for the SMC Memory Banks 0 through 3, 6, 7, and PCMCIA and CF Banks 4 and 5.

5.1.7.1 Memory Bank Timing

WST1 is used for both read and write wait state insertion, and results in identical numbers of wait states for both operations. WST2 is only relevant for Page Mode operation. With Page Mode enabled, burst read timing behaves as follows:

1. The first transfer cycle duration is $WST1 + 1$ clocks
2. The second and third transfer cycle durations are $WST2 + 1$ clocks
3. The fourth transfer cycle is $WST2 + 2$ clocks
4. For 16-bit accesses only:
 - The fifth transfer is repeat of the address in the third transfer but for a duration of $WST1 + 1$ clocks
 - The sixth transfer is a repeat of the fourth transfer
 - The seventh transfer is the one that should have occurred as the fifth, is the first of a new burst and timed at $WST1 + 1$ clocks
5. For 32-bit accesses only, the fourth transfer is timed at $WST2 + 5$ clocks
6. For 8-bit accesses only, the third access is timed at $WST2 + 2$ clocks.

5.1.7.2 PC Card Timing

For the PCMCIA interface, configure the Address Pre-Charge Times, the Read/Write Access Times, and the Hold Times for the Attribute, Common Memory, and I/O Spaces for each card as they may be different for different cards. These Pre-Charge, Access, and Hold Times are configured in the Attribute, Common, and I/O registers for Bank 4, supporting Card 1, and for Bank 5, supporting Card 2:

- The Pre-Charge Delay Time determines the number of clock cycles for the PC card address to be asserted before the PC card nOE or nWE is asserted. Program this value in the PCxATTRIB register Pre-charge delay time for Attribute space field (PCxATTRIB:PA), the PCxCOM register Pre-charge delay time for Common space field (PCxCOM:PC), and the PCxIO register Pre-charge delay time for I/O space field (PCxIO:PI). (Where x in each register name is 1 or 2, corresponding to Card 1 or Card 2.) The time specified by the field value is $(\text{value} + 1) \times \text{HCLK}$.
- External PC cards can extend the access cycles using wait states. Regardless of external wait states, the Access Delay Time defines the minimum width, in clock cycles, of the PC card nOE or nWE signal. Program this value in the PCxATTRIB register Access time for Attribute space field (PCxATTRIB:AA), the PCxCOM register Access time for Common space field (PCxCOM:AC), and the PCxIO register Access time for I/O space field (PCxIO:AI). The time specified by the field value is $(\text{value} + 1) \times \text{HCLK}$.
- The Hold Time defines the minimum number of clock cycles between releasing the nOE or nWE signal and releasing the PC card chip select/data/address. Program this value in the PCxATTRIB register, PCxCOM register, and PCxIO register Hold Time fields (PCxATTRIB:HT, PCxCOM:HT, and PCxIO:HT). The time specified by the field value is $(\text{HT} + 1) \times \text{HCLK}$.

Support of nPCWAITx signaling in the controller allows slower cards to stretch the access cycles to the maximum of 12 ms. To protect the system from malfunctioning cards, disable the nPCWAITx signal while reading Attribute memory space, and explicitly re-enable nPCWAITx once the card is verified as functioning correctly. The PCMCIA Control register (PCMCIACON) Wait State Enable 1 (WEN1) and Wait State Enable 2 (WEN2) bits enable and disable nPCWAITx signal acceptance:

- PCMCIACON:WEN1 controls wait states for Card 1.
- PCMCIACON:WEN2 controls wait states for Card 2.

The longest cycle time required by the PCMCIA specification is 600 ns. This cycle time is the mandated access speed for initial reads to attribute memory of an unknown 3.3 VDC card. A 5 VDC card attribute memory is initially read at 300 ns. In both cases, the maximum required programmable delay is half the full cycle time: 300 ns or 150 ns, respectively.

The Card Information Structure (CIS), read from the Attribute space, provides the access times for the remainder of the card structure. The SMC can be configured to generate the appropriate delays. At the fastest expected bus speed of 100 MHz (a 10 ns cycle), the longest output enable access time is 300 ns. The equivalent maximum required Pre-Charge time for the 600 ns cycle time cards is 100 ns.

Care must be exercised when using the nPCWAITx signal in order to meet PCMCIA specification. The PCMCIA specification requires that an nPCWAITx assertion be ignored until the bus cycle timing is complete. The LH7A404 allows the access time portion of the bus cycle to be extended if nPCWAITx is asserted before that portion of the cycle is complete. The length of the access time phase is controlled by nPCWAITx, so if that signal is deasserted early, the access time phase of the cycle will terminate early. This situation would result in an out-of-compliance bus cycle time.

If this out-of-compliance bus cycle time cannot be tolerated by the system, program the LH7A404 to deny PCMCIA card requests to use the nPCWAITx signal. This results in the access time phase to be as specified in the LH7A404 setup, and in compliance with the PCMCIA specification.

5.1.7.3 nWAIT Signalling

The nWAIT pin allows slower external memory and memory mapped peripherals to extend a transaction to accommodate slower response times. Devices having nWAIT capability assert this signal to extend the transaction in progress. Figure 5-5 shows how the transaction is extended — essentially suspended — until the nWAIT signal is deasserted. The nWAIT signal is asynchronous; thus, the zero-wait-state condition shown in Figure 5-5 transpires in the normal two HCLK edges once nWAIT is deasserted.

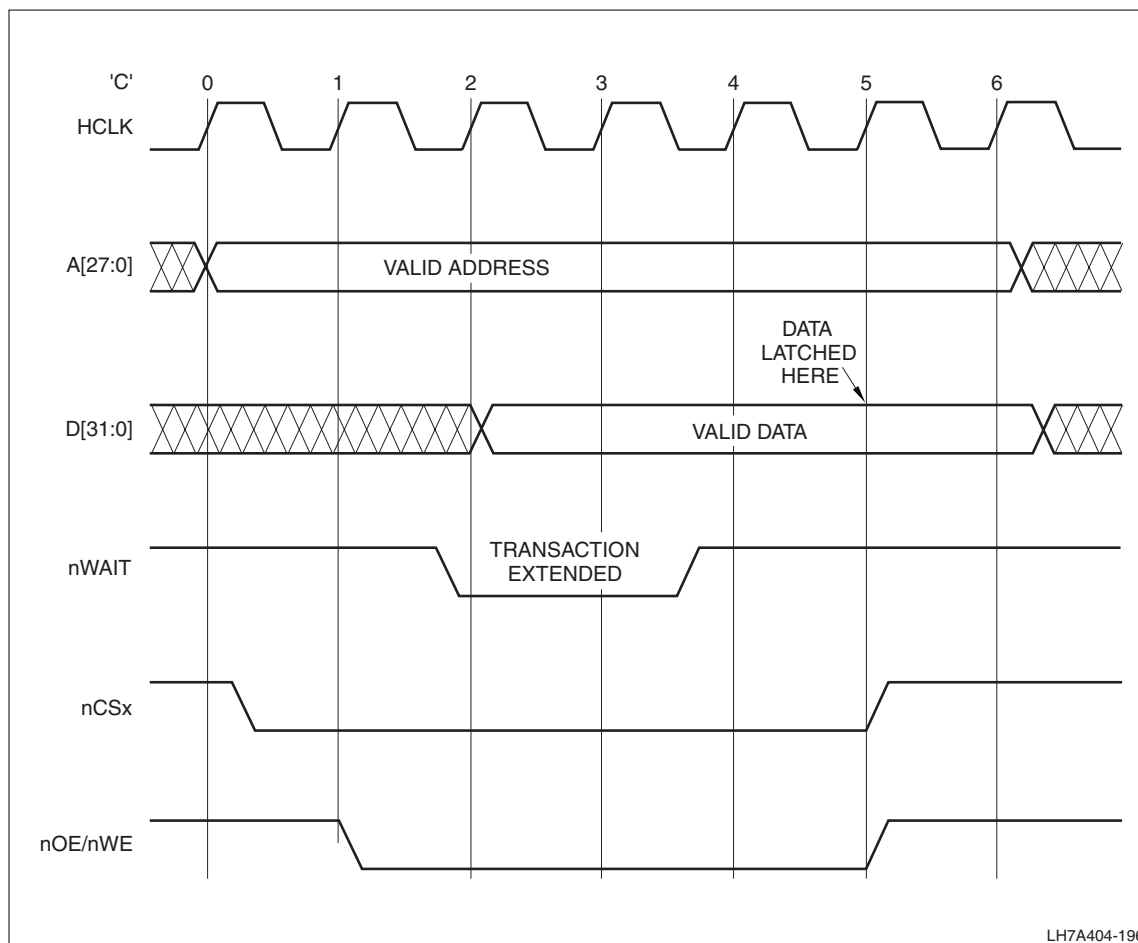


Figure 5-5. SMC Timing Showing nWAIT Delay

5.1.8 Write Protection

Each bank of external memory controlled by an SMC Chip Select can be configured for write protection. Although external SRAM is normally unprotected, and ROM devices are normally write-protected, the external SRAM devices can also be write protected. To define a bank as ROM or write-protected RAM, program the corresponding BCR Write Protect bit (BCR:WP) to 1. To define the bank as SRAM, program WP to 0. A write access to a write-protected bank of memory asserts the corresponding BCR Write Protect Error field (BCR:WPERR). A write access to unprotected ROM, for example, causes no error. To clear WPERR, write any value to WPERR.

5.1.9 External Bus Interface

For low power operation, the external address bus transitions are minimized by enabling the address bus transitions only during external memory accesses. The data-out path allows conversion of 32-bit AMBA writes into several external memory half-word or byte writes. The LH7A404 drives all bits of the data bus in accordance with the width programmed for that bank of memory, regardless of the requested width of a data write operation. The data-in path can construct 32-bit AMBA data words from half-word-wide and byte-wide external static memory devices.

5.2 Register Reference

This section describes the SMC registers.

5.2.1 Memory Map

The register offsets shown in Table 5-7 are relative to the SMC base address, 0x8000.2000.

Table 5-7. SMC Memory Map

ADDRESS OFFSET	NAME	DESCRIPTION
0x00	BCR0	Bank 0 (0x0000.0000) Configuration
0x04	BCR1	Bank 1 (0x1000.0000) Configuration
0x08	BCR2	Bank 2 (0x2000.0000) Configuration
0x0C	BCR3	Bank 3 (0x3000.0000) Configuration
0x10 - 0x17	///	Reserved
0x18	BCR6	Bank 6 (0x6000.0000) Configuration
0x1C	BCR7	Bank 7 (0x7000.0000) Configuration
0x20	PC1ATTIB	PC Card 1 (0x4000.0000) Attribute Space Configuration
0x24	PC1COM	PC Card 1 Common Memory Space Configuration
0x28	PC1IO	PC Card 1 I/O Space Configuration
0x2C	///	Reserved
0x30	PC2ATTIB	PC Card 2 (0x5000.000) Attribute Space Configuration
0x34	PC2COM	PC Card 2 Common Memory Space Configuration
0x38	PC2IO	PC Card 2 I/O Space Configuration
0x3C	///	Reserved
0x40	PCMCIACON	PCMCIA Control

5.2.2 Register Descriptions

The following sections describe the contents and use of the registers.

5.2.2.1 Bank Configuration Registers (BCRx)

To program the parameters and timing for each memory bank, use the corresponding Bank Configuration register, described in Table 5-8 and Table 5-9.

Table 5-8. BCRx Registers

BIT	31	30	29	28	27	26	25	24	23	22	21	20	19	18	17	16
FIELD	///		MW		PME	WP	WPERR	///								
RESET	0	0	WIDTH1	WIDTH0	0	0	0	0	0	0	0	0	0	0	0	0
TYPE	RO		RW	RW	RW	RW	RO	RO	RO	RO	RO	RO	RO	RO	RO	RO
BIT	15	14	13	12	11	10	9	8	7	6	5	4	3	2	1	0
FIELD	WST2					RBLE	WST1					///	IDCY			
RESET	1	1	1	1	1	0/1*	1	1	1	1	1	0	0	0	0	0
TYPE	RW	RW	RW	RW	RW	RW	RW	RW	RW	RW	RW	RO	RW	RW	RW	RW
ADDR	0x8000.2000 for BCR0, controlling nCS0 0x8000.2004 for BCR1, controlling nCS1 0x8000.2008 for BCR2, controlling nCS2 0x8000.200C for BCR3, controlling nCS3 0x8000.2018 for BCR6, controlling nCS6 0x8000.201C for BCR7, controlling nCS7															

NOTE: *The RBLE bit (bit 10) resets to 1 for BCR0 and 0 for all other BCRx registers.

Table 5-9. BCRx Fields

BITS	NAME	DESCRIPTION
31:30	///	Reserved Reading returns 0. Values written cannot be read.
29:28	MW	<p>Memory Width Selects the external device memory width:</p> <p>00 = 8 bits 01 = 16 bits 10 = 32 bits 11 = Do not use this value; it can cause unpredictable operation.</p> <p>To support different boot ROM widths, holding MEDCHG LOW after a power-on reset automatically configures this field for nCS0. This configuration programs MW to the state of the WIDTH1 and WIDTH0 pins. When booting from ROM via nCS0, ensure at least one of WIDTH1 or WIDTH0 is LOW. The currently programmed value can be ascertained by reading this field.</p>
27	PME	<p>Page Mode Enable</p> <p>1 = Enables page mode for burst ROM access, providing fast quad-word accesses in burst mode by toggling the least two significant address bits on quad word boundaries. 0 = Disables page mode.</p>
26	WP	<p>Write Protect Selects the memory access protection level:</p> <p>1 = ROM and write protected RAM 0 = SRAM</p>
25	WPERR	<p>Write Protect Error</p> <p>1 = A write protect error has occurred. 0 = No write protect error.</p> <p>Writing any value to this field clears an existing Write Protect error.</p>
24:16	///	Reserved Reading returns 0. Values written cannot be read.
15:11	WST2	<p>Wait State 2 WST2 is only relevant for Page Mode operation. With Page Mode enabled, burst read timing behaves as follows:</p> <ol style="list-style-type: none"> 1. The first transfer cycle duration is WST1 + 1 clocks 2. The second and third transfer cycle durations are WST2 + 1 clocks 3. The fourth transfer cycle is WST2 + 2 clocks 4. For 16-bit accesses only: <ul style="list-style-type: none"> – The fifth transfer is repeat of the address in the third transfer but for a duration of WST1 + 1 clocks – The sixth transfer is a repeat of the fourth transfer – The seventh transfer is the one that should have occurred as the fifth, is the first of a new burst and timed at WST1 + 1 clocks. 5. For 32-bit accesses only, the fourth transfer is timed at WST2 + 5 clocks 6. For 8-bit accesses only, the third access is timed at WST2 + 2 clocks
10	RBLE	<p>Read Byte Lane Enables This bit MUST be programmed to 1 for memory Writes.</p> <p>1 = The appropriate nBLE[3:0] bits are driven LOW during external memory Reads or Writes (Reset state for bank 0). nWE functions as a memory write signal as usual. 0 = The appropriate nBLE[3:0] bits are driven HIGH during external memory Reads and LOW for memory Writes (Reset state for banks 1, 2, 3, 6, and 7). (nBLE[3:0] functions as the memory write signals in this mode). nWE is always held high.</p>
9:5	WST1	<p>Wait State 1 Program this value to set the SRAM and ROM read and write access time, and the first access for burst ROM accesses in Page Mode. Access Time = (WST1 + 1) × HCLK. The currently programmed value can be ascertained by reading this field. After reset, this value is 0x1F, to accommodate booting from ROM.</p>
4	///	Reserved Reading returns 0. Values written cannot be read.

Table 5-9. BCRx Fields

BITS	NAME	DESCRIPTION
3:0	IDCY	Idle Cycle Program this value to set the memory data bus turnaround time, from a read cycle to a write cycle: $(IDCY + 1) \times HCLK$. The currently programmed value can be ascertained by reading this field.

The IDCY field allows the SMC to be configured for each memory bank to use external bus turnaround cycles between Read and Write memory accesses. Values between 1 and 16 bus-turnaround wait states can be programmed. This avoids bus contention on the external memory data bus. The number of bus turnaround cycles that are generated between external bus transfers are shown in Table 5-10 and a typical timing diagram is shown in Figure 5-6.

Table 5-10. Bus Turnaround Cycles

EXTERNAL BUS TRANSFER	TURNAROUND CYCLES
Read to Write to same memory bank	Generated
Read to Write to different memory bank	Generated
Write to Write to same memory bank	Not generated
Write to Write to different memory bank	Generated ¹
Write to Read to same memory bank	Not Generated
Write to Read to different memory bank	Generated ¹

1. Although the SMC inserts turnaround cycles for these accesses, they are not strictly necessary

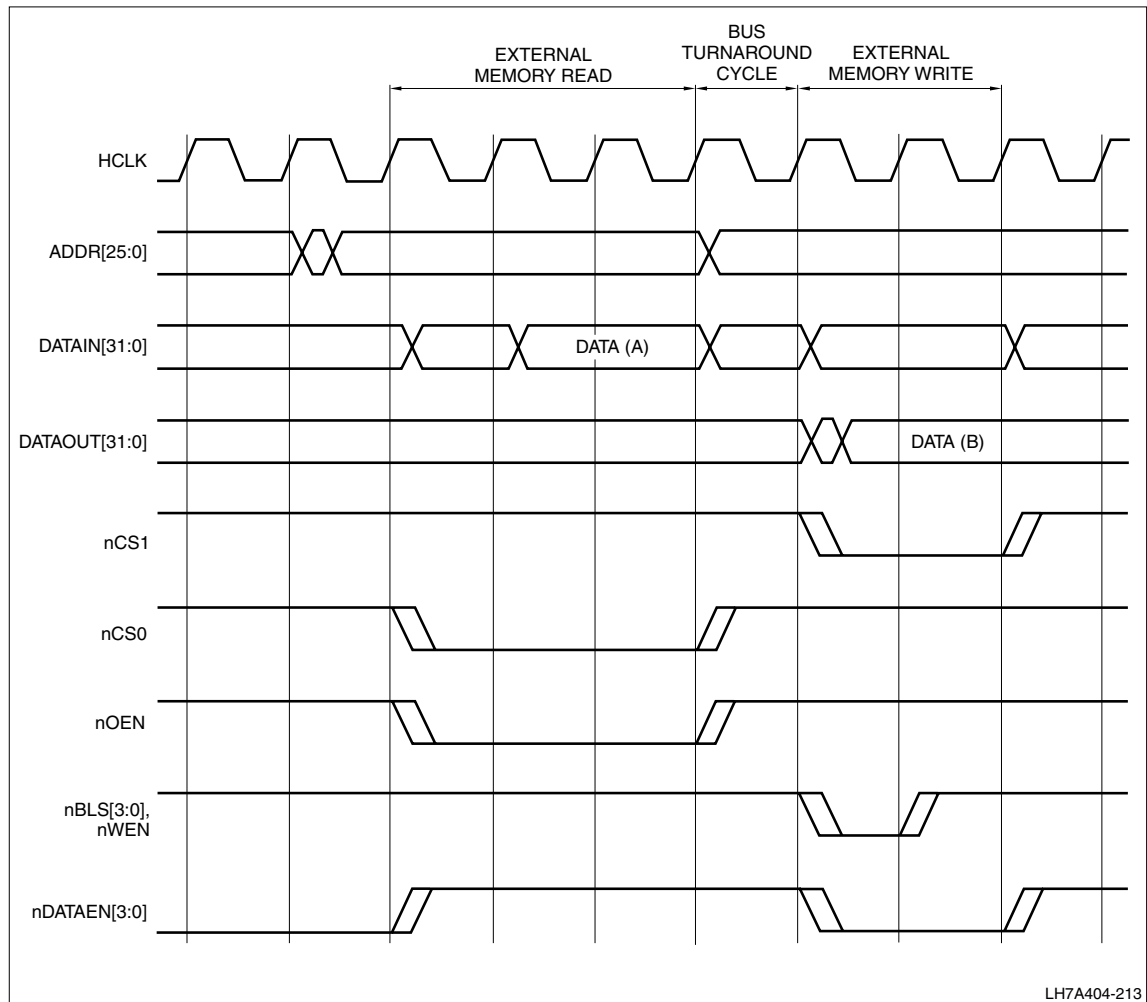


Figure 5-6. Timing for Typical Bus Turnaround

LH7A404-213

5.2.2.2 PC Card Attribute Space Registers (PCxATTRIB)

SMC Banks 4 and 5 support PCMCIA and CF PC Cards:

- Bank 4 supports Card 1, addressed at 0x4000.0000.
- Bank 5 supports Card 2, addressed at 0x5000.0000.

In each bank, PC Card Attribute, Common Memory, and I/O Configuration register set controls the wait state and device width for these address spaces. The PC card Attribute configuration registers, described in Table 5-11 and Table 5-12, allows programming the attributes of the two PC Cards. PC1ATTRIB corresponds to Bank 4 and PC2ATTRIB corresponds to Bank 5.

Table 5-11. PCxATTRIB Registers

BIT	31	30	29	28	27	26	25	24	23	22	21	20	19	18	17	16
FIELD	WA	///							AA							
RESET	0	0	0	0	0	0	0	0	0	0	0	0	0	0	0	0
TYPE	RW	RO	RO	RO	RO	RO	RO	RO	RW	RW	RW	RW	RW	RW	RW	RW
BIT	15	14	13	12	11	10	9	8	7	6	5	4	3	2	1	0
FIELD	///				HT				PA							
RESET	0	0	0	0	0	0	0	0	0	0	0	0	0	0	0	0
TYPE	RO	RO	RO	RO	RW	RW	RW	RW	RW	RW	RW	RW	RW	RW	RW	RW
ADDR	0x8000.2020 for Card 1, controlling nPCSLOTE1 0x8000.2030 for Card 2, controlling nPCSLOTE2															

Table 5-12. PCxATTRIB Fields

BITS	NAME	DESCRIPTION
31	WA	Width of Attribute Address Space Selects the attribute address space width: 1 = 16 bits 0 = 8 bits.
30:24	///	Reserved Reading returns 0. Values written cannot be read.
23:16	AA	Access Time for Attribute Space Program this value to set the attribute space access time: (AA+1) × HCLK. The currently programmed value can be ascertained by reading this field.
15:12	///	Reserved Reading returns 0. Values written cannot be read.
11:8	HT	Hold Time Program this value to set the hold time between the nOE or nWE signal release and the chip select/address/data signal release: (HT+1) × HCLK. The currently programmed value can be ascertained by reading this field.
7:0	PA	Pre-charge Delay Time for Attribute Space Program this value to set the attribute space pre-charge delay time: (PA+1) × HCLK. The currently programmed value can be ascertained by reading this field.

5.2.2.3 PC Card Common Memory Space Registers (PCxCOM)

The PC card Common memory configuration register, described in Table 5-13 and Table 5-14 allows programming the Common Memory space parameters and timing. PC1COM corresponds to Bank 4 and PC2COM corresponds to Bank 5.

Table 5-13. PCxCOM Registers

BIT	31	30	29	28	27	26	25	24	23	22	21	20	19	18	17	16	
FIELD	WC	///							AC								
RESET	0	0	0	0	0	0	0	0	0	0	0	0	0	0	0	0	
TYPE	RW	RO	RO	RO	RO	RO	RO	RO	RW	RW	RW	RW	RW	RW	RW	RW	
BIT	15	14	13	12	11	10	9	8	7	6	5	4	3	2	1	0	
FIELD	///				HT				PC								
RESET	0	0	0	0	0	0	0	0	0	0	0	0	0	0	0	0	
TYPE	RO	RO	RO	RO	RW	RW	RW	RW	RW	RW	RW	RW	RW	RW	RW	RW	
ADDR	0x8000.2024 for Card 1, controlling nPCSLOTE1 0x8000.2034 for Card 2, controlling nPCSLOTE2																

Table 5-14. PCxCOM Fields

BITS	NAME	DESCRIPTION
31	WC	Width of Common Memory Address Space Selects the common memory address space width: 1 = 16 bits 0 = 8 bits.
30:24	///	Reserved Reading returns 0. Values written cannot be read.
23:16	AC	Access Time for Common Memory Program this value to set the common memory space access time: $(AC + 1) \times HCLK$. The currently programmed value can be ascertained by reading this field.
15:12	///	Reserved Reading returns 0. Values written cannot be read.
11:8	HT	Hold Time Program this value to set the hold time between the data signal release and the chip select signal release: $HT \times HCLK$. The currently programmed value can be ascertained by reading this field.
7:0	PC	Pre-charge Delay Time for Common Memory Program this value to set the common memory space pre-charge delay time: $(PC + 1) \times HCLK$. The currently programmed value can be ascertained by reading this field.

5.2.2.4 PC Card I/O Space Registers (PCxIO)

The PC Card I/O Space Configuration registers, described in Table 5-15 and Table 5-16, allow programming the I/O Space parameters and timing.

Table 5-15. PCxIO Registers

BIT	31	30	29	28	27	26	25	24	23	22	21	20	19	18	17	16
FIELD	WI	///							AI							
RESET	0	0	0	0	0	0	0	0	0	0	0	0	0	0	0	0
TYPE	RW	RO	RO	RO	RO	RO	RO	RO	RW	RW	RW	RW	RW	RW	RW	RW
BIT	15	14	13	12	11	10	9	8	7	6	5	4	3	2	1	0
FIELD	///				HT				PI							
RESET	0	0	0	0	0	0	0	0	0	0	0	0	0	0	0	0
TYPE	RO	RO	RO	RO	RW	RW	RW	RW	RW	RW	RW	RW	RW	RW	RW	RW
ADDR	0x8000.2028 for Card 1, controlling nPCSLOTE1 0x8000.2038 for Card 2, controlling nPCSLOTE2															

Table 5-16. PCxIO Fields

BITS	NAME	DESCRIPTION
31	WI	Width of I/O Address Space Selects the I/O address space width: 0 = 8 bits 1 = 16 bits.
30:24	///	Reserved Reading returns 0. Values written cannot be read.
23:16	AI	Access Time for I/O Space Program this value to set the I/O space access time: $(AI + 1) \times HCLK$. The currently programmed value can be ascertained by reading this field.
15:12	///	Reserved Reading returns 0. Values written cannot be read.
11:8	HT	Hold Time Program this value to set the hold time between the data signal release and the chip select signal release: $HT \times HCLK$. The currently programmed value can be ascertained by reading this field.
7:0	PI	Pre-charge Delay Time for I/O Space Program this value to set the I/O space pre-charge delay time: $(PI + 1) \times HCLK$. The currently programmed value can be ascertained by reading this field.

5.2.2.5 PCMCIA Control Register (PCMCIACON)

This register, described in Table 5-17 and Table 5-18, allows configuration of the PCMCIA and CF parameters and timing.

Table 5-17. PCMCIACON Register

BIT	31	30	29	28	27	26	25	24	23	22	21	20	19	18	17	16	
FIELD	///																
RESET	0	0	0	0	0	0	0	0	0	0	0	0	0	0	0	0	
TYPE	RO	RO	RO	RO	RO	RO	RO	RO	RO	RO	RO	RO	RO	RO	RO	RO	
BIT	15	14	13	12	11	10	9	8	7	6	5	4	3	2	1	0	
FIELD	///							MPREG	///			WEN2	WEN1	PC2RST	PC1RST	PC12EN	
RESET	0	0	0	0	0	0	0	0	0	0	0	0	0	0	0	0	
TYPE	RO	RO	RO	RO	RO	RO	RO	RW	RO	RO	RW	RW	RW	RW	RW	RW	
ADDR	0x8000.2040																

Table 5-18. PCMCIACON Fields

BITS	NAME	DESCRIPTION
31:9	///	Reserved Reading returns 0. Values written cannot be read.
8	MPREG	Manual Control of PCREG This value selects the source for nPCREG signal generation when PCMCIA operation is enabled: 1 = Allow manual operation of nPCREG, via GPIO Port G4 programming. 0 = Automatically generate nPCREG.
7:6	///	Reserved Reading returns 0. Values written cannot be read.
5	WEN2	Wait State Enable for Card 2 1 = Enable external wait states for Card 2. 0 = Disable external wait states for Card 2.
4	WEN1	Wait State Enable for Card 1 1 = Enable external wait states for Card 1. 0 = Disable external wait states for Card 1.
3	PC2RST	PC Card 2 Reset 1 = Reset PCMCIA Card 2. 0 = No reset issued.
2	PC1RST	PC Card 1 Reset 1 = Reset PCMCIA Card 1. 0 = No reset issued.
1:0	PC12EN	PC Card 1 and 2 Enable Enables or disables the PC Cards: 00 = No cards enabled. 01 = One card enabled in CF mode, addressed at 0x4000.0000 10 = One card enabled in PCMCIA mode, addressed at 0x4000.0000 11 = Two cards enabled, each in either CF or PCMCIA mode, addressed at 0x4000.0000 (Card 1) and 0x5000.0000 (Card 2).

Chapter 6

Synchronous Dynamic Memory Controller

6.1 Theory of Operation

SDRAM memory technology is very different from the simpler memory technologies interfaced by the LH7A404 SMC. The Synchronous Dynamic Memory Controller (SDMC) provides an interface between the AHB and external synchronous memory devices. The LH7A404 includes an asynchronous Static Memory Controller (SMC) for all other external memory devices and a separate memory controller for the 80KB of embedded SRAM.

The LH7A404 has one external address bus, shared by the SMC and the SDMC. This sharing is automatically coordinated by the External Bus Interface (EBI) block shown in Figure 6-1.

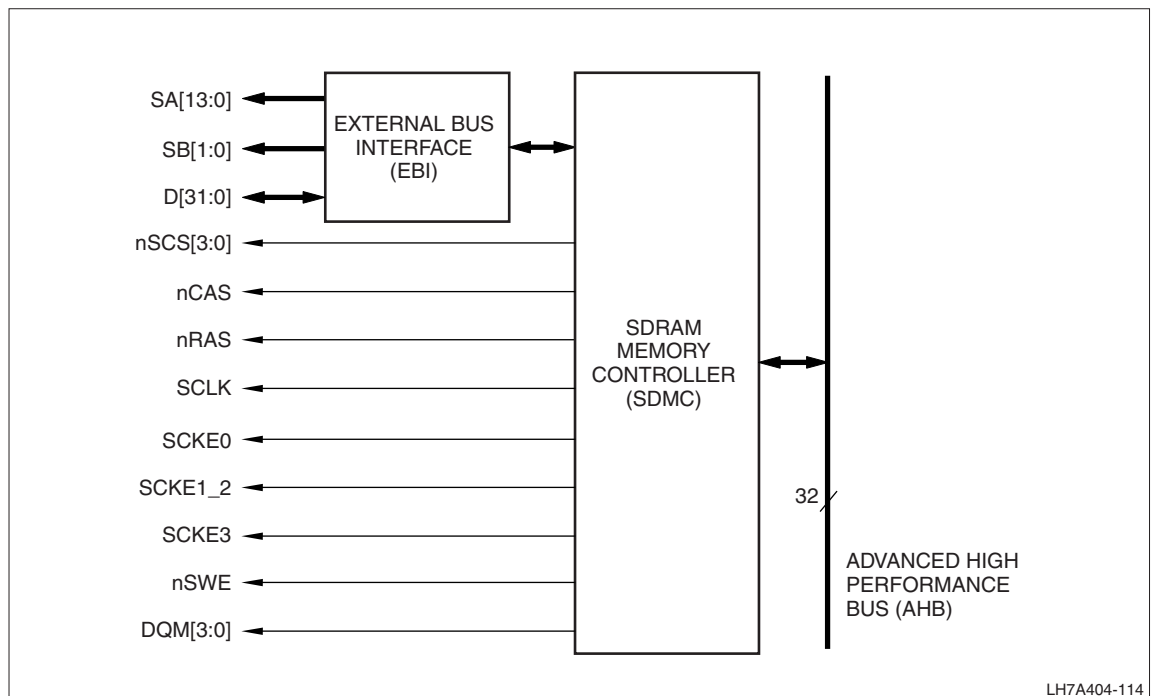


Figure 6-1. SDMC and EBI Block Diagram

The SDMC features include:

- An LCD DMA port for high bandwidth
- Up to four independently configurable, synchronous memory Banks
- Up to 256MB addressable per memory Bank
- Support for Synchronous ROM (SROM), Synchronous Flash (SFLASH), and SDRAM operation
- Synchronous Flash device programming using write and erase commands
- Configuration sequences for booting from SROM or SFLASH, before releasing the processor from reset
- 16-bit or 32-bit data bus
- Two reset domains to preserve SDRAM contents during a user reset (nURESET) or power failure (nPWRFL)
- Power saving synchronous memory clock enable and external clock modes
- Read Buffer and a Merging Write buffer. The Read Buffer can be disabled in software.

Note that it is not possible to read the device ID or the device protect bit from a single 16-bit SyncFlash device.

6.1.1 Memory Banks

The SDMC can accommodate four banks of external SDRAM memory, each with up to 256MB of addressing space. The LH7A404 SDMC provides separate SDRAM Chip Select signals (nSCS[3:0]) for each range of addresses accessed by the SDMC.

Note that the term 'bank', when referring to the LH7A404 bank select signals (SB[1:0]), refers to selection of the particular bank within the SDRAM chip. The SDRAM chips have corresponding Bank Address (BA[0:1]) pins.

For example, a 128Mb SDRAM may have, internally, four banks of 32Mb. The ACTIVE, READ, WRITE, and PRECHARGE commands are applied only to the bank selected with the Bank Address signals.

6.1.2 Operational Overview

There are many speed and power advantages to using SDRAM. However, the flexibility as well as lack of complete device standardization, makes design and use more complicated as well. This section provides an overview of designing and using SDRAM with the SDMC; more detailed information appears in following sections.

6.1.2.1 SDMC Operation

Before normal operation can occur, the SDRAM devices must be initialized by the LH7A404 software. The programming is handled by the SDMC writing to the SDRAM Mode register using several address lines to carry the programming data.

SDRAM is addressed with row and column addresses, gated on Row Address Strobe (nRAS) and Column Address Strobe (nCAS) signals. With SDRAM, the data is actually clocked on the SCLK rising edge instead of nRAS and nCAS. Instead of edge-sensitive 'strokes' used for asynchronous DRAM, they actually function as level-sensitive signals. This requires the linear, physical address transmitted by the CPU over the AHB to the SDMC to be translated to the appropriate row and column address, and proper Bank Select and Chip Select signals. The SDMC and the EBI automatically handle the logic, address translation, and timing based on programming for the specific SDRAM devices used. This includes nRAS and nCAS timing required for the specific SDRAM devices.

The total number of address bits necessary to address a specific SDRAM device depends on its size and organization. The column address is contained in least significant bits on the AHB, and the row address in the bits immediately more significant than the column address. A detailed description of address translation appears later in this chapter.

The SDMC enables the row and bank component of the logical address onto the address lines, usually coincident with the appropriate chip select signal (nSCSx) and the row address (nRAS) signal. This is done by the SDMC prior to the next rising edge of SCLK, early enough to allow the address lines time to settle before the SCLK rising edge causes the device to become active and simultaneously latches the row and bank address into the SDRAM device. The RAS-to-CAS delay commences, and then nSCSx and nRAS are driven HIGH, nominally half a bus clock cycle after registration.

After the RAS-to-CAS-delay, the SDMC again drives nSCSx LOW, only this time the column address (nCAS) signal and the column and bank component of the logical address is concurrently LOW. If the action is a READ from the SDRAM device, the nWE signal remains HIGH; if the action is a WRITE to the SDRAM device, the nWE signal goes LOW concurrently with nCSx and nCAS. When SDCLK registers the column address, the CAS latency period commences and then the SDMC sets HIGH nSCSx, nRAS, nCAS, and nWE (if applicable). After the CAS latency period has elapsed, data on the data lines is valid, and is latched into the LH7A404 for a READ, or into the SDRAM device for a WRITE. Both the RAS-to-CAS latency and the CAS latency values are established by the programmer during SDMC and SDRAM Initialization.

6.1.2.2 Designing an SDRAM System

More than any other functional block in the LH7A404, the SDMC requires careful coordination between the external hardware system design, programming of the SDMC, and programming to initialize and use the external SDRAM. Because SDRAM devices are available in a wide range of sizes and organizations (i.e. a 256Mb device could be arranged as $16M \times 4 \times 4$ banks, $8M \times 8 \times 4$ banks, or $4M \times 16 \times 4$), and they are not universally standardized in terms of programming, programming the SDMC and the SDRAM is tightly coupled to the particular hardware implementation chosen. In addition, each chip select can access a different memory configuration.

6.1.2.2.1 Hardware System Design

The hardware design depends heavily on the particular devices selected. While this chapter provides documentation regarding the SDMC behavior and physical design, it is impossible to cover all available SDRAM hardware configurations. It is up to the designer to select the SDRAM and refer to the manufacturer's data sheet to complete the interconnection between the LH7A404 and the SDRAM devices.

The major considerations during hardware design include the number of SDRAM devices, specifications of the SDRAM devices, external bus width, and the bus clock frequency that is used. Once the devices have been selected and connected, the addressing and programming become known and the SDMC and SDRAMs can be programmed.

6.1.2.2.2 Programming the SDMC

The SDMC, coupled with the EBI, provide a very intelligent interface to SDRAM once set up. The first task upon power up is to configure the SDMC. The SDMC is programmed with information regarding the external bus structure, bus speed, SDRAM device parameters and specifications, SDMC operating configuration and power modes.

6.1.2.2.3 Initialization of the SDRAM Devices

Unlike conventional memory, SDRAM has onboard intelligence that must be programmed prior to writing to or reading from the memory. Parameters that must be initialized include the bus speed, device parameters (including burst length and type, CAS latency, refresh, precharge, and operating mode), and SDRAM configuration.

6.1.2.3 Read and Write Operation

Once the SDMC and SDRAM have been programmed and initialized, normal read and write operation can commence. Again unlike conventional memory, SDRAM is accessed not only by simple hardware signals, but also by sending commands to the devices. Commands include Read and Write, of course, but also Burst commands, Precharge commands, Refresh, Power down, Clock suspend commands, and others, depending on the particular SDRAM device.

Study of the device manufacturer's data sheet will reveal which commands are compatible with the device used and the optimum implementation. Typically, the ability to transact burst writes and reads using the SDMC onboard buffers increases memory throughput considerably. When running in full burst mode, data can be read or written on each rising HCLK edge after the latency for the first data to appear.

6.1.2.4 Other Functions

The SDMC is also capable of controlling Synchronous Flash and Synchronous ROM memory. These require different setup programming of the SDMC than SDRAM does. This is discussed in detail later in this chapter.

6.1.3 External Hardware System Design

This section describes hardware system design considerations, however, these design factors directly effect SDMC and SDRAM programming as well. The actual SDRAM devices used dictate many of the hardware decisions.

The SDRAM system addressing is decoded from the processor physical memory map into four address domains, each being 256MB. The memory devices used within an address domain must be all of the same type, but different domains can use different memory devices and timing characteristics. Because all the memory devices share a common bus, the total number of devices is limited by the maximum bus capacitance allowable by the SDRAM device manufacturer's specifications, regardless of the Chip Select domain.

6.1.3.1 Control Signals

In addition to the standard address and data signals, SDRAM requires several control signals, some of which have more than one purpose. Table 6-1 describes the control signals and their function.

Table 6-1. SDMC Control Signals

SIGNAL	DESCRIPTION
nSCSx	When LOW, the Chip Select signal selects a given domain of SDRAM devices to which it is connected.
nRAS	The Row Address Strobe is LOW concurrent with nSCSx, causing the device to become 'Active' and the Row Address to be latched on the next SCLK rising edge.
nCAS	The Column Address Strobe is LOW concurrent with nSCSx, causing the Column Address to be latched on the next SCLK rising edge, beginning a Read or Write operation.
nSWE	The Synchronous Write Enable, when LOW concurrently with nSCSx and nCAS causes a Write operation to begin. If it is HIGH concurrently with these two signals, a read operation commences.
DQMx	The Data Mask signals control the width of the Read or Write operation. When connected to an SDRAM DQL input, it enables the LSB in a two-byte wide device, and when connected to the SDRAM DQH input, it enables the MSB. For a word-width operation, both signals are LOW; for a byte-width operation, only the appropriate signal is LOW. These are automatically controlled by the SDMC based on its programming. See the example in Table 6-5.
SCKEx	These four Clock Enable signals allow control of the SDRAM clocks separately for each domain. During normal operation, the SCKEx signal is continuously HIGH. With SCKEx LOW concurrently with an Auto Refresh command causes the SDRAM to enter Self Refresh Mode. Note that because of pin multiplexing (see Section 6.1.3.2), external hardware is required to uniquely decode all four SCKEx signals; however, it may not be necessary in a particular system design to decode all four uniquely.
SCLK	The Synchronous Clock is based on the LH7A404 HCLK and provides the clock for synchronous operation of all SDRAM devices (except when they are in Self Refresh mode).
SA10	The synchronous address bit SA10 on the LH7A404 is used during the Precharge command and during Read and Write command. If SA10 is HIGH concurrently with a Read or Write command, it causes an Auto Precharge command to be applied automatically at the end of the burst. If it is HIGH during a Precharge command, the devices selected with the Bank Select (SB[1:0]) signal to be pre-charged. If it is LOW during a Precharge command, all banks are precharged.

6.1.3.2 Pin Multiplexing

Pin C14 multiplexes the SDMC clock signals SCKE1_2 and SCKE0. The SDMC signal multiplexing is selected with the PINMUX register, as shown in Table 6-2. (See the Pin Multiplexing chapter for more details.) Pin C14 should be configured based on the hardware design. External logic is necessary if the application requires four uniquely decoded Clock Enable signals.

After reset, both CLK0EN and CLK12EN are LOW, resulting in all four SCKE[3:0] signals being ORed together at pin C14.

Synchronous memory devices require multiplexed address signals for row-column-bank addressing. The addresses placed on the external address bus during memory accesses are automatically multiplexed from the address sent via the AHB by the SDMC. In addition, the SDMC and the SMC share the LH7A404 external address bus. Because the LH7A404 A[1:0] signals are also used as SMC Memory Write Enable (nWE[2:1]) signals, the SDMC Synchronous Address bus (SA[13:0]) and Bank Select (SB[1:0]) signals are multiplexed with SMC pins used as A[17:2], as shown in Table 6-3.

Table 6-2. SDRAM Clock Enable Multiplexing

PINMUX		OUTPUT SIGNAL VALUES ON PIN C14
CLK0EN	CLK12EN	
0	0	SCKE0 <OR> SCKE1 <OR> SCKE2 <OR> SCKE3
0	1	SCKE0 <OR> SCKE3
1	0	SCKE1 <OR> SCKE2 <OR> SCKE3
1	1	SCKE3

Table 6-3. Address Line Multiplexing

PIN	SYNCHRONOUS ADDRESS	DESCRIPTION	ASYNCHRONOUS ADDRESS
H19	SB[1]	Synchronous Bank Select	A[17]
H22	SB[0]		A[16]
J20	SA[13]	Synchronous Address Bus	A[15]
J22	SA[12]		A[14]
K22	SA[11]		A[13]
L20	SA[10]		A[12]
L22	SA[9]		A[11]
M21	SA[8]		A[10]
N19	SA[7]		A[9]
N22	SA[6]		A[8]
P22	SA[5]		A[7]
R20	SA[4]		A[6]
R22	SA[3]		A[5]
T19	SA[2]		A[4]
U19	SA[1]		A[3]
U21	SA[0]		A[2]

To manage the address multiplexing for particular Synchronous memory devices, consult the data sheets supplied by the device manufacturers. Connect the devices to the LH7A404 and program the SDMC registers according to the device specifications in the data sheets and the SDMC operation described in this chapter. Figure 6-2 shows an example of connecting the LH7A404 SDMC to an external SDRAM memory array.

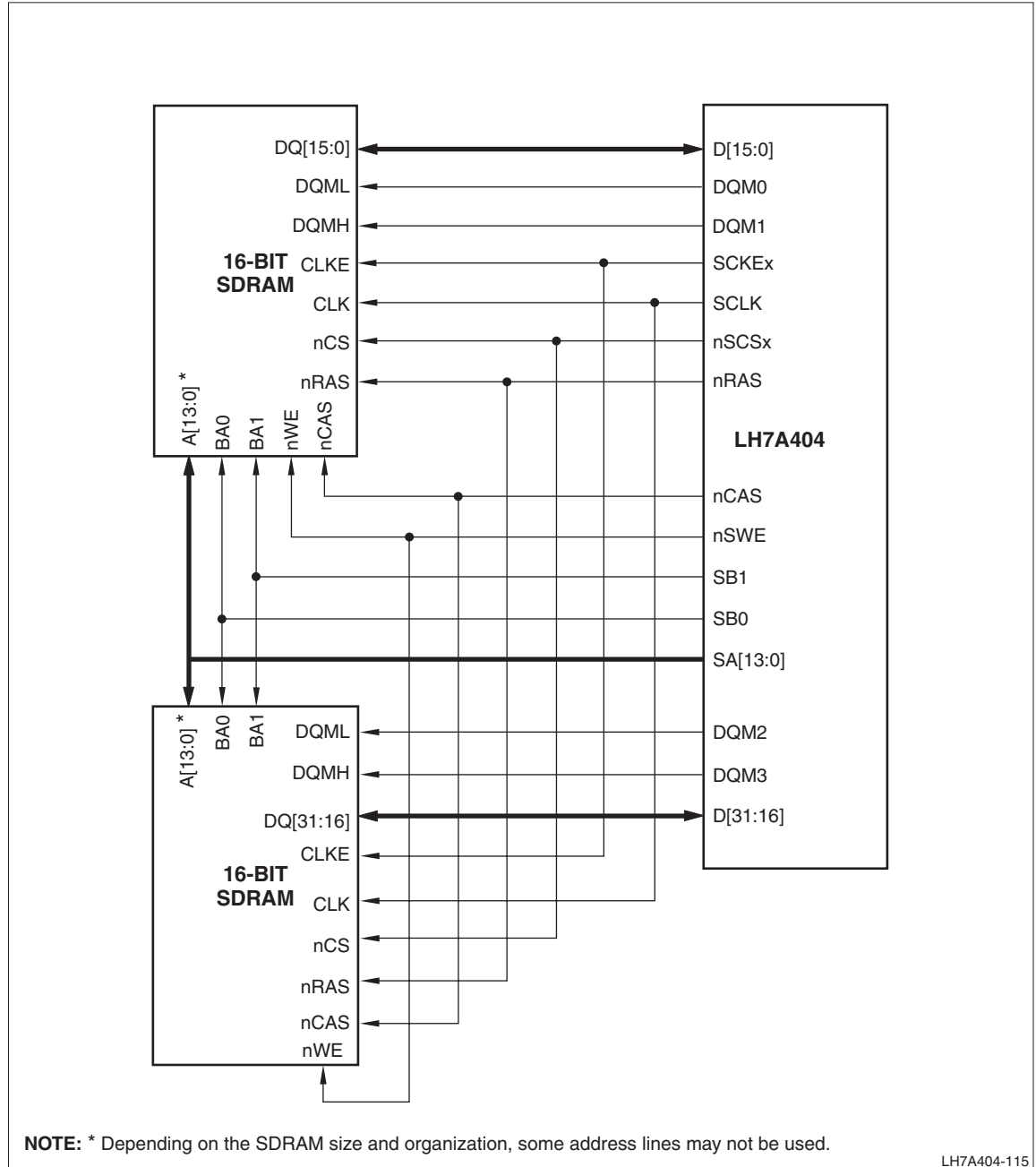


Figure 6-2. SDRAM Device Interfacing

6.1.3.3 Chip Select Decoding

Each Synchronous Memory address domain is selected by one of the SDMC Chip Select signals, nSCS[3:0]. The SDMC is configured to control each address domain by programming the Synchronous Domain Chip Select Configuration register (SDCSC[3:0], respectively) corresponding to the particular chip select signal. The nSCS[3:0] signals are decoded from the most significant bits of the AHB address bus, as shown in Table 6-4.

Each Synchronous memory domain can be configured as either 16 or 32 bits wide, and to support word, half word, and byte transfers from the AHB. When the external memory system is 16 bits wide, two external bus cycles occur for each 32-bit operand.

Booting can be configured to use SROM located in the nSCS3 address domain. The MEDCHG signal selects the boot source, as shown in the right-most columns in Table 6-4. With MEDCHG programmed to 1, SDMC Bank 3 (nSCS3) becomes the boot location from SROM or SFLASH, mapped to 0x0000.0000. Alternatively, with MEDCHG programmed to 0, SMC Bank 0 (nCS0) becomes the boot location from asynchronous memory, mapped to 0x0000.0000, with SDMC Bank 3 mapped to 0xF000.0000.

Table 6-4. Chip Select Address Coding

CHIP SELECT	A31	A30	A29	A28	MEDCHG	Boot Option
nSCS3	0	0	0	0	1	SROM Bank 3
nSCS3	1	1	1	1	0	SMC Bank 0
nSCS2	1	1	1	0	x	x
nSCS1	1	1	0	1	x	x
nSCS0	1	1	0	0	x	x

6.1.3.4 Address, Data, and Control Requirements

The device type, bank count, and latency timing specifications can vary between the SDMC Chip Select domains, to accommodate various memory devices in each domain. The bank count refers to the number of banks within the SDRAM, addressed as a single SDMC memory domain.

6.1.3.4.1 Data Mask Signals

Depending on the external memory system width and the operand size, one or two memory cycles may be required for operand transfer. The Data Mask signals (DQM[3:0]) select the data phase for each cycle, as shown in Table 6-5.

- For 32-bit wide memory systems, only one memory cycle is required for any data transfer width, with the DQM bits configured on write cycles to disable bytes unaffected by the transfer.
- For 16-bit wide memory systems, DQM[1] is used as the memory system upper data mask (UDQM) and DQM[0] is used as the lower data mask (LDQM).
- For 32-bit transfers in 16-bit wide memory systems, two memory data phases are required to complete the memory cycles. Half word (16-bit) and byte-width transfers complete in one data phase.

Table 6-5. Memory System Examples

MEMORY SYSTEM	SIZE	DATA BUS	AHB PHYSICAL ADDRESS	BYTE ENABLES
16M by 16-bit	32MB	D[15:0]	A[24:1]	DQM[1:0]
16M by 32-bit	64MB	D[31:0]	A[25:2]	DQM[3:0]
64M by 16-bit	128MB	D[15:0]	A[26:1]	DQM[1:0]
64M by 32-bit	256MB	D[31:0]	A[27:2]	DQM[3:0]

6.1.3.4.2 Address Pins

Each nSCS domain can be connected to a variety of device types, provided the total device capacitance on any address, control, or data pin does not exceed the SDRAM manufacturer's specified operating limit.

Addresses from the LH7A404 CPU are presented to the SDMC via the AHB. The addresses are parsed by the SDMC into Row Address, Column Address, Bank Select, and Chip Select signals.

Because of the row-column-bank architecture of Synchronous memory devices, the mapping of such devices into the LH7A404 memory space is not necessarily obvious. The memory in an SDRAM system may appear non-contiguous to the LH7A404 chip. For example, a 32MB SDRAM device can appear as eight blocks of 4MB each. This non-contiguous appearance is due to the LH7A404 address pin usage, as shown in Table 6-6. The header row of this table shows the Synchronous Address signals (SA_x) connected to the SDRAM device. The remaining rows show how the linear address presented to the SDMC on the AHB maps onto the external LH7A404 Synchronous Address pins.

Table 6-6. Synchronous Memory Address Decoding

MUXING SCHEME	ADDRESS	SB1	SB0	SA13	SA12	SA11	SA10	SA9	SA8	SA7	SA6	SA5	SA4	SA3	SA2	SA1	SA0
Data Width 16	Row/Bank	A27	A26	A22	A21	A20	A19	A18	A17	A16	A15	A14	A13	A12	A11	A10	A9
	Column	A27	A26				AP*	A25	A24	A8	A7	A6	A5	A4	A3	A2	A1
Data Width 32	Row/Bank	A27	A26	A23	A22	A21	A20	A19	A18	A17	A16	A15	A14	A13	A12	A11	A10
	Column	A27	A26				AP*	A25	A24	A9	A8	A7	A6	A5	A4	A3	A2
2K Page Mode, Data Width 32	Row/Bank	A27	A26	A24	A23	A22	A21	A20	A19	A18	A17	A16	A15	A14	A13	A12	A11
	Column	A27	A26				AP*	A25	A24	A9	A8	A7	A6	A5	A4	A3	A2
SRAM512, Data Width 32	Row/Bank	A27	A26	A22	A21	A20	A19	A18	A17	A16	A15	A14	A13	A12	A11	A10	A9
	Column	A27	A26					A25	A24	A23	A8	A7	A6	A5	A4	A3	A2
SRAM Lookalike, Data Width 16	Row/Bank	A22	A21	A27	A26	A20	A19	A18	A17	A16	A15	A14	A13	A12	A11	A10	A9
	Column	A22	A21				AP*	A25	A24	A8	A7	A6	A5	A4	A3	A2	A1
SRAM Lookalike, Data Width 32	Row/Bank	A23	A22	A27	A26	A21	A20	A19	A18	A17	A16	A15	A14	A13	A12	A11	A10
	Column	A23	A22					A25	A24	A9	A8	A7	A6	A5	A4	A3	A2

NOTE: * AP = SA10 used to control Auto Precharge.

Each device configuration corresponds to a row and column, showing the addresses presented to the synchronous memory device for row and column access. For the specific address lines used in addressing a device, consult the data sheet from the device manufacturer. Because some address lines are unused, the memory appears non-contiguous.

Power consumption can be lowered by ensuring that multiple banks within a device are not always activated. To take maximum advantage of this, use LH7A404 A[26] and A[27] to ensure the memory map appears the same for both Flash and SRAM devices and use the 'SRAM Lookalike' mode.

The first two rows of Table 6-6 (reproduced in Table 6-7 for clarity) show the address mapping for an example of a 256Mb device:

- 16 bits wide
- 24 address lines: 13 row addresses, nine column addresses, and two bank signals
- Address lines A22, A23, and A25 are unused in this address, because the row and column are 13 and 9, respectively. The non-use of these address lines results in the non-continuous memory map of the SDRAM.

Table 6-7. Address Mapping for 256 Mbit SDRAM

MUXING SCHEME	ADDRESS	SB1	SB0	SA13	SA12	SA11	SA10	SA9	SA8	SA7	SA6	SA5	SA4	SA3	SA2	SA1	SA0
Data Width 16	Row/Bank	A27	A26	A22	A21	A20	A19	A18	A17	A16	A15	A14	A13	A12	A11	A10	A9
	Column	A27	A26	Unused			AP	A25	A24	A8	A7	A6	A5	A4	A3	A2	A1

Set SDCSCx:SR0M512 to ensure a linear addressing range for highly rectangular organized devices. Burst accesses must also be prevented from crossing the 512 byte boundary.

To prevent vacant addresses in the AHB address space, set SDCSCx:SR0MLL to use a SyncFLASH device to mimic an SR0M device or to configure a SDRAM device as a flat address space. SDCSCx:EBW specifies the data width. SDCSCx:SR0MLL must be programmed to 0 prior to writing to SyncFlash.

Table 6-8 and Table 6-9 show the address ranges used by a variety of different device configurations and sizes, for 32-bit wide data, using two 16-bit-wide devices. The Read addresses shown in these tables are offset from each memory Bank base address specified by the four most significant bits of the address (the Chip Select signals, nSCS[3:0]).

Table 6-8. Address Ranges for 32-bit-wide Devices

DEVICE SIZE (SYSTEM TYPE)	ADDRESS MATRIX	TOTAL DOMAIN SIZE	CONTIGUOUS ADDRESS RANGE*	SEGMENT SIZE
64Mb (32-bit-wide device)	12 × 8 × 2 banks	8MB	0xN000.0000-0xN03F.FFFF	4MB
			0xN400.0000-0xN43F.FFFF	
64Mb (32-bit-wide device)	11 × 8 × 4 banks	8MB	0xN000.0000-0xN01F.FFFF	2MB
			0xN400.0000-0xN41F.FFFF	
			0xN800.0000-0xN81F.FFFF	
			0xNC00.0000-0xNC1F.FFFF	
64Mb (Two 16-bit-wide devices)	12 × 8 × 4 banks	16MB	0xN000.0000-0xN03F.FFFF	4MB
			0xN400.0000-0xN43F.FFFF	
			0xN800.0000-0xN83F.FFFF	
			0xNC00.0000-0xNC3F.FFFF	
128Mb (32-bit-wide device)	12 × 8 × 4 banks	16MB	0xN000.0000-0xN03F.FFFF	4MB
			0xN400.0000-0xN43F.FFFF	
			0xN800.0000-0xN83F.FFFF	
			0xNC00.0000-0xNC3F.FFFF	
128Mb (Two 16-bit-wide devices)	12 × 9 × 4 banks	32MB	0xN000.0000-0xN03F.FFFF	4MB
			0xN100.0000-0xN13F.FFFF	
			0xN400.0000-0xN43F.FFFF	
			0xN500.0000-0xN53F.FFFF	
			0xN800.0000-0xN83F.FFFF	
			0xN900.0000-0xN93F.FFFF	
			0xNC00.0000-0xNC3F.FFFF	
			0xND00.0000-0xND3F.FFFF	
256Mb (32-bit-wide device)	13 × 8 × 4 banks	32MB	0xN000.0000-0xN07F.FFFF	8MB
			0xN400.0000-0xN47F.FFFF	
			0xN800.0000-0xN87F.FFFF	
			0xNC00.0000-0xNC7F.FFFF	

Table 6-8. Address Ranges for 32-bit-wide Devices (Cont'd)

DEVICE SIZE (SYSTEM TYPE)	ADDRESS MATRIX	TOTAL DOMAIN SIZE	CONTIGUOUS ADDRESS RANGE*	SEGMENT SIZE
256Mb (Two 16-bit-wide devices)	13 × 9 × 4 banks	64MB	0xN000.0000-0xN07F.FFFF	8MB
			0xN100.0000-0xN17F.FFFF	
			0xN400.0000-0xN47F.FFFF	
			0xN500.0000-0xN57F.FFFF	
			0xN800.0000-0xN87F.FFFF	
			0xN900.0000-0xN97F.FFFF	
			0xNC00.0000-0xNC7F.FFFF	
			0xND00.0000-0xND7F.FFFF	
512Mb (Two 16-bit-wide devices)	13 × 10 × 4 banks	128MB	0xN000.0000-0xN07F.FFFF	8MB
			0xN100.0000-0xN17F.FFFF	
			0xN200.0000-0xN27F.FFFF	
			0xN300.0000-0xN37F.FFFF	
			0xN400.0000-0xN47F.FFFF	
			0xN500.0000-0xN57F.FFFF	
			0xN600.0000-0xN67F.FFFF	
			0xN700.0000-0xN77F.FFFF	
			0xN800.0000-0xN87F.FFFF	
			0xN900.0000-0xN97F.FFFF	
			0xNA00.0000-0xNA7F.FFFF	
			0xNB00.0000-0xNB7F.FFFF	
			0xNC00.0000-0xNC7F.FFFF	
			0xND00.0000-0xND7F.FFFF	
			0xNE00.0000-0xNE7F.FFFF	
			0xNF00.0000-0xNF7F.FFFF	

NOTE: *'N' = MSB of particular SDRAM Domain

Table 6-9. Address Ranges for 16-bit-wide Devices

DEVICE SIZE (SYSTEM TYPE)	ADDRESS MATRIX	TOTAL BANK SIZE	CONTINUOUS ADDRESS RANGE	SEGMENT SIZE
64MB (16-bit-wide device)	12 × 8 × 4 banks	8MB	0xN000.0000-0xN01F.FFFF	2MB
			0xN400.0000-0xN41F.FFFF	
			0xN800.0000-0xN81F.FFFF	
			0xNC00.0000-0xNC1F.FFFF	
128MB (16-bit-wide device)	12 × 9 × 4 banks	16MB	0xN000.0000-0xN01F.FFFF	2MB
			0xN100.0000-0xN11F.FFFF	
			0xN400.0000-0xN41F.FFFF	
			0xN500.0000-0xN51F.FFFF	
			0xN800.0000-0xN81F.FFFF	
			0xN900.0000-0xN91F.FFFF	
			0xNC00.0000-0xNC1F.FFFF	
256Mb (16-bit-wide device)	13 × 9 × 4 banks	32MB	0xN000.0000-0xN03F.FFFF	4MB
			0xN100.0000-0xN13F.FFFF	
			0xN400.0000-0xN43F.FFFF	
			0xN500.0000-0xN53F.FFFF	
			0xN800.0000-0xN83F.FFFF	
			0xN900.0000-0xN93F.FFFF	
			0xNC00.0000-0xNC3F.FFFF	
			0xND00.0000-0xND3F.FFFF	
512Mb (16-bit-wide device)	13 × 10 × 4 banks	64MB	0xN000.0000-0xN03F.FFFF	4MB
			0xN100.0000-0xN13F.FFFF	
			0xN200.0000-0xN23F.FFFF	
			0xN300.0000-0xN33F.FFFF	
			0xN400.0000-0xN43F.FFFF	
			0xN500.0000-0xN53F.FFFF	
			0xN600.0000-0xN63F.FFFF	
			0xN700.0000-0xN73F.FFFF	
			0xN800.0000-0xN83F.FFFF	
			0xN900.0000-0xN93F.FFFF	
			0xNA00.0000-0xNA3F.FFFF	
			0xNB00.0000-0xNB3F.FFFF	
			0xNC00.0000-0xNC3F.FFFF	
			0xND00.0000-0xND3F.FFFF	
0xNE00.0000-0xNE3F.FFFF				
0xNF00.0000-0xNF3F.FFFF				

NOTE: * 'N' = MSB of particular SDRAM Domain

6.1.4 Programming the SDMC

The SDMC is configured by entering the proper parameter values into its four Synchronous Domain Chip Select Configuration registers (SDCSC[3:0]), Global Configuration register (GBLCNFG), and Refresh Timer register (RFSHTMR), in the proper sequence during initialization. This is done by writing the configuration data directly to their memory-mapped location under program control.

The Global Configuration register is programmed with information common to all SDRAM domains. The SDCSC registers contain information specific to each domain, based on the Chip Select signal. Exact use of the registers is described in Section 6.3.2.

The SDRAM devices are configured by programming their onboard Mode Registers. This is done by programming bits [1:0] in the GBLCNFG register to 1 to cause the SDMC to generate the Load Mode Register command to the SDRAM, then performing a read operation to the SDRAM device. The value to be programmed is encoded onto the address signals during the read from the configuration data contained in the SDCSC register associated with the particular SDRAM domain. The coded address is formed by combining the base address of the applicable chip select with the bit pattern with the values to be loaded into corresponding bits of the Mode Register.

6.1.4.1 Determining Parameter Values

For initialization, the user must:

- Decide whether or not to enable Auto Pre-charge.
- Determine the permitted RAS to CAS latency.
- Determine the permitted CAS latency.
- Define the external bus width.
- Determine the necessary burst length.
- Identify the specific type of SDRAM attached to each of the Chip Select signals, that is, determine the number of internal banks in the respective SDRAM devices, and determine the address multiplexing scheme they use.
- Determine the Write Burst Mode: either programmed burst length or single location access should be selected in conjunction with enabling or disabling the SDMC Write Buffers.
- Decide which of the four Clock Enable signals will be used.

6.1.4.2 Auto Precharge

During normal operation, it is desirable to use Auto Precharge, so Auto Precharge would usually be enabled. In general, manual precharge is used for page size bursting transfers under program control.

6.1.4.3 RAS to CAS Latency

The RAS to CAS latency is the number of SCLKs between the ACTIVE command and the READ or WRITE command.

The LH7A404 only allows RAS to CAS latency (RCD) values of 2 or 3.

Of these two values, the RAS to CAS latency is selected by inspecting the SDRAM AC operating conditions in the manufacturer's data sheet.

The RAS-to-CAS setting is specified in integral counts of SCLK. The required count value is the least integral number of SCLKs multiplied by the bus clock period that results in a value greater than or equal to the minimum ACTIVE to READ or ACTIVE to WRITE delay.

That is, the following inequality must be satisfied:

$$\text{Period(SCLK)} \times \text{RCD} \geq t_{\text{RCD}}$$

6.1.4.4 CAS Latency

The CAS latency identifies the number of SCLKs between incidence of the READ or WRITE command and the presence of valid data. A CAS latency of 2 means that data is valid on the second SCLK after the READ or WRITE SCLK.

Understanding CAS latency is somewhat confusing because the actual latency for a WRITE is different than the actual latency for a READ for a specific configured value of CAS latency. If CAS latency is set to 2, then the actual CAS latency for a READ is 2 SCLKs, while the actual CAS latency for a WRITE is 3 SCLKS.

The SDMC can accommodate CAS latencies of 2-8.

6.1.4.5 External Bus Width

External bus width is established by the physical hardware. The External Bus Width (EBW) bit in the SDCSC registers establishes the external bus width from the LH7A404's viewpoint. The value selected also determines which Burst Length must be programmed into the SDRAM device.

6.1.4.6 Burst Length

The burst length is automatically determined by the value programmed for the GBLCNFG[EBW] bit. If the bus width selected is 16 bits, the burst length is 8. If the bus width selected is 32 bits, the burst length is 4.

6.1.4.7 Clock Enable and Clock Shutdown

Clock Enable and Clock Shutdown are configured using GBLCNFG[CKE] and GBLCNFG[CKSD]. When Clock Enable is programmed to 0, the SDMC drives the SCKEx signal LOW when all SDRAM devices are idle to conserve power. When Clock Enable is programmed to 1, the SCKEx signal is set HIGH to all SDRAM devices continuously. Clock Shutdown affects the SCLK signal. If Clock Shutdown is programmed to 0, SCLK is free-running. If Clock Control is programmed to 1, SCLK runs continuously while either the SDRAMC or the SMC is in control of the EBI. The clock is dynamically gated when no accesses occur to any device.

Note that programming both Clock Control and Clock Enable to 1 is a forbidden condition. That is, configuring SDCLK to stop when idle while configuring GBLCNFG[CKE] to HIGH continuously must not be done.

6.1.4.8 Configuring the SDRAM device Load Mode Register

Using GBLCNFG under program control, the SDMC can generate one of four specific commands, or resume normal operation. The commands are:

- Generate a NOP command
- Generate a PRECHARGE ALL command
- Generate an SDRAM LOAD MODE REGISTER command
- Generate a Synchronous Flash LOAD COMMAND REGISTER command
- Resume normal operation.

When GBLCNFG[MRS] and GBLCNFG[Initialize] are set, the subsequent Read Instruction address on the AHB Address Bus A[23:10] is output on SA[13:0] as the SYNCHRONOUS MODE command. The Read Address specifies the Command Word. The four most significant address bits specify the memory Bank receiving this Command Word. When the LH7A404 is configured to boot from SROM or SFLASH, the four most significant address bits are 0x0, corresponding to Bank 3 (nSDCS[3]).

For Mode register programming, the Command Word put onto the address lines depends on whether the device is SROM, SDRAM, or SFLASH. Table 6-10 shows the Command Word coding for various device types with a 32-bit external bus. After programming the device Mode register for a Chip Select (nSCSx), program the corresponding SDMC SDCSCx register:

- The read Burst Length (BL) shown in Table 6-10 is 4 because the device types covered by this table are 32-bit. The smallest burst length supported by LH7A404 is a quad word. Program the SDMC external device bus width to match the device BL:
 - Program SDCSCx:EBW to 0, specifying a 32-bit external memory system with a BL of 4. In the corresponding Command Word, code BL[2:0] = 0b010 for SDRAM and SFLASH, or BL[1:0] = 0b01 for SROM.
 - Program SDCSCx:EBW to 1, specifying a 16-bit memory system with a BL of 8. In the corresponding Command Word, code BL[2:0] = 0b011 for SDRAM and SFLASH, or BL[1:0] = 0b10 for SROM.
- Enable or disable Auto-Precharge in SDCSCx:AutoPrecharge, to match the Command Word Auto Precharge (AP) coding.
- The Write Burst Length (WBL) varies by device type, as follows:
 - For SDRAM devices, specify single location write accesses by programming SDCSCx:WBL to 1. Specify write burst accesses the same length as BL by programming SDCSCx:WB to 0.
 - SFLASH devices can be written to in only single word writes, not in bursts. For SFLASH devices, program SDCSCx:WBL to 0.
 - For SROM devices, program SDCSCx:WBL to 0, disabling burst write accesses.
- In the Command Word, the device Operating Mode (OPM[1:0]) is 0b00 for normal operation, unless otherwise specified in the device data sheet. No corresponding programming is required for the SDMC.
- Program SDCSCx:CasLat[2:0] with a Column Access Strobe (CAS) latency corresponding to CAS[2:0] in the Command Word, as shown in Table 6-11.
- In the Command Word, the Burst Access Type (BAT) specifies sequential (0) or interleaved (1) burst addressing. No corresponding programming is required for the SDMC.
- For SDRAM and SFLASH devices, program SDCSCx:RasToCas[1:0] for a latency equal to or greater than the latency specified in the device data sheet. Only SROM devices require Command Word RAS coding. For SROM devices, program SDCSCx:RasToCas[1:0]:
 - When Command Word RAS = 0b0, specifying a RAS of 2, program SDCSCx:RasToCas[1:0] = 0b10.
 - When Command Word RAS = 0b1, specifying a RAS of 3, program SDCSCx:RasToCas[1:0] = 0b11.
- Example 1 is for a SDRAM device. The Command Word coding and corresponding SDMC programming are:
 - The Command Word specifies the Write Burst Length is the same as the Read Burst Length (WBL = 0b0). Clear SDCSCx:WBL.
 - The Command Word specifies the CAS latency is 3 (CAS[2:0] = 0b011). Program SDCSCx:CasLat[2:0] = 0b010.
 - The Command Word specifies sequential burst access (BAT = 0b0).

- Example 2 is for a SROM device. The Command Word coding and corresponding SDMC programming are:
 - The Command Word specifies the RAS latency is 2 (RAS = 1). Program SDCSCx:RasToCas[1:0] = 0b10.
 - The Command Word specifies the CAS latency is 5 (CAS[2:0] = 0b100). Program SDCSCx:CasLat[2:0] = 0b100.
 - The Command Word specifies sequential burst access (BAT = 0b0).

Table 6-11, Table 6-12, and Table 6-13 show the standard codings for CAS, RAS, BAT, BL, and WBL. Table 6-15 and Table 6-16 show examples of the Read addresses to configure various parameters on 32-bit-wide and 16-bit-wide external devices. The Read addresses shown in these tables are offset from each memory Bank base address specified by the four most significant bits of the address (the Chip Select signals, nSCS[3:0]).

Table 6-10. Mode Register Command Coding for 32-bit External Systems

MEMORY TYPE	SDRAM ADDRESS LINES											
	SA11	AP/SA10	SA9	SA8	SA7	SA6	SA5	SA4	SA3	SA2	SA1	SA0
	CORRESPONDING AHB ADDRESS LINES											
	A21	A20	A19	A18	A17	A16	A15	A14	A13	A12	A11	A10
SDRAM or SFLASH	///	///	WBL	OPM[1:0]		CAS[2:0]		BAT		BL[2:0]		
EXAMPLE 1	0	0	0	00		011		0		010		
SROM	///	///	///	///	///	RAS	CAS[2:0]		BAT		BL[1:0] = 0b01	
EXAMPLE 2	0	0	0	0	0	1	100		0		01	

Table 6-11. Synchronous Memory Command Word CAS Coding and SDCSCx CAS Latency Programming

COMMAND WORD CAS[2:0]	SDRAM CAS	SFLASH CAS	SDRAM and SFLASH SDCSCx:CasLat[2:0]	SROM CAS	SROM SDCSCx:CasLat[2:0]
000			000		000
001		1	Unsupported	2	001
010	2	2	001	3	010
011	3	3	010	4	011
100				5	100
101				6	101
110				7	110
111				8	111

Table 6-12. Synchronous Memory RAS and Write Burst Length Coding

COMMAND WORD	SDCSCx REGISTER	SDRAM	SFLASH	SROM
RAS = 0	RAS[1:0] = 0b10			RAS = 2
RAS = 1	RAS[1:0] = 0b11			RAS = 3
BAT = 0		Sequential	Sequential	Sequential
BAT = 1		Interleaved	Interleaved	Interleaved
WBL = 0	WBL = 0	WBL = BL	As Initialized	As Initialized
WBL = 1	WBL = 1	Single Location	Single Location	

Table 6-13. Burst Length for SDRAM and SFLASH

SDCSCx:EBW	COMMAND WORD	SDRAM (SDCSCx:WBL = 0b1) BURST LENGTH (WORDS)	SFLASH (SDCSCx:WBL = 0b0) BURST LENGTH (WORDS)
Unsupported	BL[2:0] = 000	1	1
Unsupported	BL[2:0] = 001	2	2
0 (32-bit)	BL[3:0] = 010	4	4
1 (16-bit)	BL[3:0] = 011	8	8
x	BL[3:0] = 111	Full Page or Reserved	Full Page or Reserved

Table 6-14. Burst Length for SROM

SDCSx:EBW	COMMAND WORD	SROM (SDCSCx:WBL = 0b1) BURST LENGTH (WORDS)
0 (32-bit)	BL[1:0] = 01	4
1 (16-bit)	BL[1:0] = 10	8

Table 6-15. Read Addresses and Parameters for 32-bit External Devices

READ ADDRESS OFFSET	PARAMETERS
SDRAM default Read Address 0x0000.C800	WBL = Same as BL OPM = Normal mode CAS = 3 BAT = Sequential BL = 4
SFLASH default Read Address 0x0008.C800	WBL = Single location access OPM = Normal mode CAS = 3 BAT = Sequential BL = 4
SROM default Read Address 0x0001.8400	RAS = 2 CAS = 5 BAT = Sequential BL = 4

Table 6-16. Read Addresses and Parameters for 16-bit External Devices

READ ADDRESS OFFSET	PARAMETERS
SDRAM default Read Address 0x0000.6600	WBL = Same as BL OPM = Normal mode CAS = 3 BAT = Sequential BL = 8
SFLASH default Read Address 0x0004.6600	WBL = Single location access OPM = Normal mode CAS = 3 BAT = Sequential BL = 8
SROM default Read Address 0x0000.C400	RAS = 2 CAS = 5 BAT = Sequential BL = 8

6.1.4.9 Configuring the Refresh Timer Register

As with any DRAM, Synchronous DRAM must be refreshed periodically to maintain its data integrity. The number of SCLKs between Auto Refreshes is determined by the value in RFSHTMR. This value is dependent upon the required SDRAM refresh rate and the SCLK frequency.

6.1.5 Initializing the SDRAM Devices

After a power-on reset, software must first initialize the SDMC, then initialize each device connected to the SDMC.

Synchronous memory devices must be powered-up and configured as specified by the device manufacturers. The device initialization sequence varies by manufacturer. Sequences other than as specified by the manufacturer can cause unpredictable operation. The initialization sequences in this section are presented as guidelines and examples.

6.1.5.1 Initialization When Debugging

SDRAM accesses attempted before initialization is complete cause an AHB error and the LH7A404 must be reset to recover. This affects debugging if there is an open debugger window for SDRAM space when the chip is reset. The debugger attempts to restore contents of the memory window after a reset, but before the SDRAM initialization has completed; and the resulting AHB conflict locks up the chip.

6.1.5.2 General Initialization Sequence

The following is a general initialization sequence, showing typical steps, times, and effects:

1. Wait 100 ms to allow the device power and clocks to stabilize.
2. Program the External Bus Width field (SDCSCx:EBW), for each memory Bank in use, according to the device width.
3. Program the SDMC Global Configuration register Initialize, MODE Register Select, and Clock Enable bits to 1 (GBLCNFG:Initialize, GBLCNFG:MRS, and GBLCNFG:CKE, respectively), to issue continuous NOP commands.
4. Wait 200 ms, as required by the device.
5. Program the device MODE register.
6. Write 10 to the SDMC Refresh Timer register (RFSHTMR), specifying a refresh every 10 HCLK cycles.
7. Wait at least 80 HCLK cycles, to provide 8 refresh cycles to all devices.
8. Program RFSHTMR to specify normal refresh operation.
9. Program each device MODE register. Clear Initialize and set MRS, to select the MODE Register Update mode, and read each device. The read address specifies the value written to the MODE register, as described in the device data sheet. This address depends on the SDCSCx:EBW configuration (step 2), because the SDMC address pin mapping differs between 16- and 32-bit wide memory systems.
10. Program each SDCSCx register according to the corresponding device Mode register programming. This step initializes the SDMC timing.
11. Program Initialize and MRS to 0 and program other GBLCNFG fields to normal operating values.

6.1.5.3 JEDEC General SDRAM Initialization Sequence

The following is a general JEDEC initialization sequence:

1. Apply power. Apply VDD/VDDQ equally, and ensure the device clock is stable.
2. Wait at least 200 ms.
3. Select the device PRECHARGE ALL mode.
4. Perform eight AUTO REFRESH commands.
5. Issue a LOAD MODE register command to the SDRAM.

6.1.5.4 Micron SDRAM Initialization Sequence

A stable clock is defined as a signal cycling within the timing constraints specified by the SDRAM device manufacturer for that device's clock pin. When power has been applied and the clock is stable, SDRAM devices usually require a delay prior to issuing any commands other than a COMMAND INHIBIT or a NOP. The COMMAND INHIBIT or NOP commands should be applied to the device throughout this delay.

When the delay has expired, a PRECHARGE ALL command should be issued. All SDRAM banks must then be precharged, thereby placing the SDRAM device in the ALL BANKS IDLE state.

Once the SDRAM device is in the IDLE state, 2 AUTO REFRESH cycles must be performed. When the 2 AUTO REFRESH cycles are completed, the SDRAM device is ready for MODE REGISTER programming. The SDRAM device's MODE register powers up in an unknown state, and should be programmed before any other operational commands are issued to the SDRAM device.

Although Micron SDRAM devices can be initialized with a JEDEC sequence, Micron devices also permit a faster initialization sequence:

1. APPLY POWER (Apply VDD/VDDQ equally, and ensure that the CLK is stable.)
2. Wait at least 100 ms (Begin and continue applying NOP or COMMAND INHIBITs during this delay.)
3. Issue a PRECHARGE ALL command to the SDRAM device.
4. Issue 2 (or more) AUTO REFRESH commands to the SDRAM device. (The order of the AUTO REFRESH and LOAD MODE REGISTER commands can be reversed if preferred.)
5. Issue a LOAD MODE REGISTER to the SDRAM.

The SDRAM is ready for operation.

6.1.6 Self Refresh

When entering Low Power mode (Standby), the SDMC automatically does the following before the processor is stopped:

- Pre-charge all active banks.
- Issue a NOP command.
- Drive Clock Enable (CLKE3, CLKE1_2, and CLKE0) LOW.
- Issue an AUTO REFRESH command.
- Enter SELF REFRESH Mode.

When exiting Standby, the SDMC automatically does the following before the processor is started:

- Allow clock stabilization.
- Drive Clock Enable HIGH.
- Issue 10 NOP commands.
- Issue an AUTO REFRESH command.
- Enter AUTO REFRESH Mode.

6.2 Boot Modes

The LH7A404 can boot from SROM or from SFLASH on Chip Select 3, depending on the WIDTH[1:0] and MEDCHG signals (pins N12, N11, and C3, respectively). Table 6-17 shows the boot mode control signals.

To support these boot modes, the SDMC Chip Select 3 register (SDCSC3) and GBLCNFG have the following values after an LH7A404 reset:

- When booting from SROM, SDCSC3:CasLat[2:0] is reset to 0b100, specifying a CAS latency of 5.
- When booting from SFLASH, SDCSC3:CasLat[2:0] is reset to 0b010, specifying a CAS latency of 3.
- When booting from SROM or SFLASH, GBLCNFG:CKE is reset to 0b1, driving all clock enable signals (CLKE0, CLKE12, and CLKE3, on pins G9, B10, and C10, respectively) continuously HIGH.

When booting from SROM, a short configuration sequence occurs before the ARM922T processor is released from RESET. This sequence ensures a known configuration, regardless of the device attached, to accommodate differences in SROM default Burst Lengths. This configuration is:

- SDCSC3:RasToCas[1:0] = 0b10, specifying a RAS latency of 2.
- SDCSC3:CasLat[2:0] = 0b100, specifying a CAS latency of 5.
- SDCSC3:EBW = 0, specifying a 32-bit External Bus Width and Burst Length = 4.

The following automatic sequence occurs on booting from SFLASH:

- SDCSC3:WBL is set, specifying a single word write burst length. SFLASH devices cannot be written in bursts.
- SDCSC3:CasLat[2:0] = 0b010, specifying a CAS latency of 3.
- SDCSC3:EBW = 0, specifying a 32-bit External Bus Width and Burst Length = 4.

Table 6-17. Boot Mode Signal Values

BOOT MODE	WIDTH[1:0]	MEDCHG
8-bit ROM	00	0
16-bit ROM	01	0
32-bit ROM	10	0
Invalid: Do not allow this condition	11	0
16-bit SFLASH (Initializes Mode Register)	00	1
16-bit SROM (Initializes Mode Register)	01	1
32-bit SFLASH (Initializes Mode Register)	10	1
32-bit SROM (Initializes Mode Register)	11	1

This power-up sequence occurs after a power-on reset:

1. Power is applied to the circuit, with the input signals SCKEx and DQM pulled HIGH to rise with the supplies VDD and VDDQ.
2. After power-up, the processor is held in the reset state while the clock runs. A NOP command is put on the Command pins (SA[13:0]) for 200 ms by programming GBLCNFG:Initialize and GBLCNFG:MRS to 1 and programming GBLCNFG:LCR to 0, while the SROM device is clocked.
3. The default configuration is written to the device MODE register, by programming GBLCNFG:Initialize and GBLCNFG:LCR to 0, programming GBLCNFG:MRS to 1, and reading the appropriate address.
4. Three clock cycles after the MODE register configuration cycle, the device is ready for power-up. All data outputs are in a high impedance state. The processor is released from the reset state.

6.2.1 Synchronous Memory Boot Interrupt Behavior

Following a Synchronous Memory boot, the MEDCHG interrupt will be set and pending. Therefore, prior to enabling interrupts, the MEDCHG interrupt should be cleared in the end of interrupt register (EOI:MCEOI). See Chapter 8 for details on this register.

6.3 Register Reference

This section describes the SDRAM Controller registers.

6.3.1 Memory Map

The register offsets shown in Table 6-18 are relative to the SDMC base address, 0x8000.2400.

Table 6-18. SDRAM Controller Memory Map

ADDRESS OFFSET	NAME	DESCRIPTION
0x00	///	Reserved Do not access this location.
0x04	GBLCNFG	Global Configuration Controls SDMC operation and reports SDMC status.
0x08	RFSHTMR	Refresh Timer Specifies the time period between synchronous memory refresh commands.
0x0C	BOOTSTAT	Boot Status Reports the boot configuration pin states.
0x10	SDCSC0	Synchronous Domain Chip Select Configuration Each register (SDCSC[3:0]) configures the SDMC for the specific memory device at the corresponding chip select (nSCS[3:0]).
0x14	SDCSC1	
0x18	SDCSC2	
0x1C	SDCSC3	

6.3.2 Register Descriptions

6.3.2.1 Synchronous Domain Chip Select Configuration Registers (SDCSC)

The Synchronous Domain Chip Select Configuration registers (SDCSC[3:0]), described in Table 6-19 and Table 6-20, configure the SDMC for the characteristics of the external synchronous memory devices connected to the Synchronous Chip Select signals (nSCS[3:0]). Each signal corresponds to a memory Bank. Each Bank can be configured with different device characteristics. The configuration must correspond to the device mode register programming.

Although this chapter describes the memory addressed by each SCS signal as a separate memory Bank, avoid confusing these Banks with the banks of memory internal to Synchronous devices. Each device can contain multiple banks, as specified by the device manufacturer.

In each SDCSC register, only one of the SROM512, SROMLL, and 2KPAGE fields can be set at any one time. For correct SDMC operation, at least two of these fields must be cleared. The SROM512 and 2KPAGE paging methods operate in multiples of 32-bit data width regardless of the external bus width. The RAS latency has one additional clock cycle over the programmed value when performing a write operation.

Changes to the SDCSCx registers take effect only when the SDMC is idle. Disable interrupts and DMA operations before changing these registers.

Table 6-19. SDCSC[3:0] Registers

BIT	31	30	29	28	27	26	25	24	23	22	21	20	19	18	17	16
FIELD	///							AutoPrecharge	///			RasToCas	WBL	CasLat		
RESET	0	0	0	0	0	0	0	1	0	0	1	0	0	*	*	0
TYPE	RO	RO	RO	RO	RO	RO	RO	RW	RW	RW	RW	RW	RW	RW	RW	RW
BIT	15	14	13	12	11	10	9	8	7	6	5	4	3	2	1	0
FIELD	///									2KPAGE	SROMLL	SROM512	BankCount	EBW	///	
RESET	0	0	0	0	0	0	0	0	0	0	0	0	1	0	0	0
TYPE	RO	RO	RO	RO	RO	RO	RO	RO	RO	RO	RW	RW	RW	RW	RO	RO
ADDR	0x8000.2410 for SDCSC0 0x8000.2414 for SDCSC1 0x8000.2418 for SDCSC2 0x8000.241C for SDCSC3															

NOTE: *SDCSCx:CasLat[2:0] reset to 0b010. When the LH7A404 boots from SROM, SDCSC3:CasLat[2:0] resets to 0b100.

Table 6-20. SDCSC[3:0] Fields

BIT	NAME	DESCRIPTION
31:25	///	Reserved Reading returns 0. Values written cannot be read.
24	AutoPrecharge	AutoPrecharge Specifies the Auto-Precharge (AP) value. 1 = Enable auto precharge. 0 = Disable auto precharge.
23:22	///	Reserved Reading returns 0. Values written cannot be read.
21:20	RasToCas	Row Address Strobe To Column Address Strobe Selects the synchronous memory RAS-to-CAS latency. 00 = Reserved; do not program this value. 01 = Reserved; do not program this value. 10 = RAS latency is 2. 11 = RAS latency is 3. The RAS latencies shown are for read operations. For write operations, RAS latency has one additional clock cycle. This field value resets to 10, to support booting from SROM.
19	WBL	Write Burst Length Selects the write burst length. 1 = Writes are single location only, and write bursting is disabled. 0 = Write burst length is the same as the read burst length. The read burst length is specified by the EBW bit of this register. With WBL set to 1 for a device, the SDMC recognizes the device as SFLASH or SROM and issues no auto-refresh command for the corresponding Chip Select.
18:16	CasLat	Column Address Strobe Latency Selects the CAS latency. 000 = Reserved; do not program this value. 001 = CAS latency is 2 010 = CAS latency is 3 011 = CAS latency is 4 100 = CAS latency is 5 101 = CAS latency is 6 110 = CAS latency is 7 111 = CAS latency is 8
15:7	///	Reserved Reading returns 0. Values written cannot be read.
6	2KPAGE	2K PAGE Depth 1 = Synchronous memory page depth is 2K. The SROMLL and SROM512 bits in this register must be programmed to 0. 0 = Synchronous memory page depth is not 2K.
5	SROMLL	SROM Lookalike 1 = Swap the multiplexed bank address SB0 and SB1 signals with the synchronous address signals A12 and A13. In this configuration, the synchronous flash can mimic a SROM device. The EBW bit must specify the data width. The 2KPAGE and SROM512 bits must be programmed to 0. 0 = Normal operation (no swapping). This bit must be programmed to 0 before writing to SyncFlash.

Table 6-20. SDCSC[3:0] Fields (Cont'd)

BIT	NAME	DESCRIPTION
4	SROM512	<p>SROM Page Depth 512 The SROM maximum burst size is 512 bytes. This field selects the synchronous memory page.</p> <p>1 = Synchronous memory page depth is 512. The 2KPAGE and SROMLL bits in this register must be programmed to 0.</p> <p>0 = Synchronous memory page depth is not 512.</p>
3	BankCount	<p>Bank Count Selects the number of banks within the external memory connected to the corresponding Chip Select.</p> <p>1 = Four bank devices.</p> <p>0 = Two bank devices.</p> <p>Although this chapter describes the memory addressed by each SDRAM Controller Chip Select signal (nSCS[3:0]) as a separate memory bank, avoid confusing these banks with the banks of memory internal to synchronous devices. The nSCSx signals address separate memory banks. The SB[1:0] signals provide the bank address of the device row-column-bank addressing scheme within each nSCSx address space. The BankCount field specifies how many banks are available to be addressed by SB[1:0].</p>
2	EBW	<p>External Bus Width Selects the external memory system width.</p> <p>1 = Memory device bus widths are 16 bits. The read burst length is 8. The page burst depth is 512 bytes.</p> <p>0 = Memory device bus widths are 32 bits. The read burst length is 4.</p>
1:0	///	Reserved Reading returns 0. Values written cannot be read.

6.3.2.2 SDRAM Global Configuration Register (GBLCNFG)

The Global Memory Configuration register, described in Table 6-21 and Table 6-22, contains additional control and status bits for use during configuration. The Initialize, MRS, and LCR fields provide synchronous memory commands unavailable during normal read and write cycles, as shown in Table 6-23.

Table 6-21. GBLCNFG Register

BIT	31	30	29	28	27	26	25	24	23	22	21	20	19	18	17	16	
FIELD	CKE	CKSD	///														
RESET	0 unless booting from SROM or SFLASH	0	0	0	0	0	0	0	0	0	0	0	0	0	0	0	
TYPE	RW	RW	RO	RO	RO	RO	RO	RO	RO	RO	RO	RO	RO	RO	RO	RO	
BIT	15	14	13	12	11	10	9	8	7	6	5	4	3	2	1	0	
FIELD	///										LCR	SMEMBust	///			MRS	Initialize
RESET	0	0	0	0	0	0	0	0	0	0	0	0	0	0	0	0	
TYPE	RO	RO	RO	RO	RO	RO	RO	RO	RO	RW	RO	RO	RO	RO	RW	RW	
ADDR	0x8000.2404																

Table 6-22. GBLCNFG Fields

BIT	NAME	DESCRIPTION
31	CKE	Clock Enable Controls the synchronous memory clock enables. 1 = Drive all clock enables HIGH. 0 = Set all idle device clock enables LOW, saving power.
30	CKSD	Clock Shutdown Controls the synchronous memory clock shutdowns. 1 = CLK is free-running 0 = CLK is free running only if the SDRAMC or the SMC control the EBI. The CLK is dynamically gated when no accesses occur to any device. Before programming CKSD to 1, program the CKE bit to 0.
29:7	///	Reserved Reading returns 0. Values written cannot be read.
6	LCR	Load Command Register 1 = Output subsequent read instruction addresses on lines A[23:10] as the SFLASH LOAD Command Word on SA[13:0]. The four most significant address bits determine the corresponding memory Bank. 0 = Normal operation. Table 6-23 shows the action of the LCR, MRS, and Initialize bits.

Table 6-22. GBLCNFG Fields (Cont'd)

BIT	NAME	DESCRIPTION
5	SMEMBust	Synchronous Memory Busy State 1 = Synchronous Memory Engine busy 0 = Synchronous Memory Engine idle
4:2	///	Reserved Reading returns 0. Values written cannot be read.
1	MRS	MODE Register in Synchronous device 1 = Next read instruction output as the MODE Command Word on SA[13:0]. The four most significant address bits determine the corresponding memory bank. 0 = Normal operation. Table 6-23 shows the action of the LCR, MRS, and Initialize bits.
0	Initialize	Initialize 1 = Issue a NOP or PRECHARGE ALL command to the Synchronous device. The four most significant address bits determine the corresponding memory bank. 0 = Do not issue a NOP or PRECHARGE ALL command. Table 6-23 shows the action of the LCR, MRS, and Initialize bits.

Table 6-23. Synchronous Memory Command Encoding

INITIALIZE	MRS	LCR	EFFECT
0	0	0	Normal operation
0	0	1	Reserved; do not program this value.
0	1	0	Enable access to Synchronous device MODE register
0	1	1	Enable access to SFLASH Memory devices LOAD COMMAND registers
1	0	0	Issue PRECHARGE ALL to Synchronous memory. Only the first PRECHARGE ALL command is issued. No subsequent PRECHARGE ALL commands are output.
1	0	1	Reserved; do not program this value.
1	1	0	Issue NOP to Synchronous memory
1	1	1	Reserved; do not program this value.

6.3.2.3 Refresh Timer Register (RFSHTMR)

The refresh timer register, described in Table 6-24 and Table 6-25, specifies the period between refresh cycles in multiples of the bus clock period (HCLK). For example, for a 16 μ s refresh period based on a 20 ns clock period, program the register to 800 (0x320).

Reset sets the refresh counter to 128 (0x10000000). During initialization, set this register to the correct value for the memory system. Programming to 0 stops the refresh cycles.

Table 6-24. RFSHTMR Register

BIT	31	30	29	28	27	26	25	24	23	22	21	20	19	18	17	16
FIELD	///															
RESET	0	0	0	0	0	0	0	0	0	0	0	0	0	0	0	0
TYPE	RO	RO	RO	RO	RO	RO	RO	RO	RO	RO	RO	RO	RO	RO	RO	RO
BIT	15	14	13	12	11	10	9	8	7	6	5	4	3	2	1	0
FIELD	REFCNT															
RESET	1	0	0	0	0	0	0	0	0	0	0	0	0	0	0	0
TYPE	RW	RW	RW	RW	RW	RW	RW	RW	RW	RW	RW	RW	RW	RW	RW	RW
ADDR	0x8000.2408															

Table 6-25. RFSHTMR Fields

BIT	NAME	DESCRIPTION
31:16	///	Reserved Reading returns 0. Values written cannot be read.
15:0	REFCNT	Refresh Count Controls the refresh counter. Nonzero = The period between refresh cycles in multiples of HCLK. 0 = Stop the refresh counter.

6.3.2.4 Boot Status Register (BOOTSTAT)

The boot status register, described in Table 6-26 and Table 6-27, reports the boot mode option pin states, indicating the device configuration after booting. The field values indicate the levels latched at reset for the corresponding pins.

The WIDTH[1:0] field reports the latched value of the WIDTH1 and WIDTH0 signals (pins N12 and N11, respectively). Booting from asynchronous ROM maps the static (asynchronous) memory Bank 0 (nCS0) to address 0x0000.0000. Booting from synchronous ROM maps the Synchronous memory Bank 3 (nSCS3) to address 0x0000.0000. The boot mapping, shown in Figure 6-3, persists until a reset.

Table 6-26. BOOTSTAT Register

BIT	31	30	29	28	27	26	25	24	23	22	21	20	19	18	17	16
FIELD	///															
RESET	0	0	0	0	0	0	0	0	0	0	0	0	0	0	0	0
RW	RO	RO	RO	RO	RO	RO	RO	RO	RO	RO	RO	RO	RO	RO	RO	RO
BIT	15	14	13	12	11	10	9	8	7	6	5	4	3	2	1	0
FIELD	///													MEDCHG	WIDTH[1]	WIDTH[0]
RESET	0	0	0	0	0	0	0	0	0	0	0	0	0	0	0	0
RW	RO	RO	RO	RO	RO	RO	RO	RO	RO	RO	RO	RO	RO	RO	RO	RO
ADDR	0x8000.240C															

Table 6-27. BOOTSTAT Fields

BIT	NAME	DESCRIPTION
31:3	///	Reserved Reading returns 0. Values written cannot be read.
2	MEDCHG	Media Change This bit reports the latched value of the MEDCHG signal (pin E4). MEDCHG controls the boot source. 1 = Synchronous ROM. 0 = Asynchronous ROM.
1:0	WIDTH[1:0]	Boot Memory Width For static (asynchronous) external memory on nCS0, WIDTH[1:0] indicate the memory width: 00 = 8-bit 01 = 16-bit 10 = 32-bit 11 = 32-bit For Synchronous external memory on nSCS3, WIDTH[1:0] indicate the memory width: 00 = 16 bit SFLASH, with WBL = 1, CAS = 3, and BL = 8. 01 = 16 bit SROM, with RAS = 2, CAS = 5, BL = 8. 10 = 32 bit SFLASH, with WBL = 1, CAS = 3, BL = 4. 11 = 32 bit SROM, with RAS = 2, CAS = 5, BL = 4. The 8-bit width is unavailable for SROM.

F000.0000	ASYNC. MEM (nCS0)	SYNC. MEM (nSDCE3)	256MB
E000.0000	SYNC. MEM (nSDCE2)	SYNC. MEM (nSDCE2)	256MB
D000.0000	SYNC. MEM (nSDCE1)	SYNC. MEM (nSDCE1)	256MB
C000.0000	SYNC. MEM (nSDCE0)	SYNC. MEM (nSDCE0)	256 MB
B001.4000	NOT USED	NOT USED	
B000.0000	EMBEDDED SRAM	EMBEDDED SRAM	80KB
8000.3800	NOT USED	NOT USED	
8000.2000	AHB MAPPED REGISTERS	AHB MAPPED REGISTERS	
8000.0000	APB MAPPED REGISTERS	APB MAPPED REGISTERS	
7000.0000	ASYNC. MEM (nCS7)	ASYNC. MEM (nCS7)	256MB
6000.0000	ASYNC. MEM (nCS6)	ASYNC. MEM (nCS6)	256MB
5000.0000	PC CARD/CF (SLOT1)	PC CARD/CF (SLOT1)	256MB
4000.0000	PC CARD/CF (SLOT0)	PC CARD/CF (SLOT0)	256MB
3000.0000	ASYNC. MEM (nCS3)	ASYNC. MEM (nCS3)	256MB
2000.0000	ASYNC. MEM (nCS2)	ASYNC. MEM (nCS2)	256MB
1000.0000	ASYNC. MEM (nCS1)	ASYNC. MEM (nCS1)	256MB
0000.0000	SYNC. ROM (nSDCE3)	ASYNC. ROM (nCS0)	256MB
	SYNC. MEMORY BOOT	ASYNC. MEMORY BOOT	

LH7A404-7

Figure 6-3. Memory Mapping for nSCS3 and nCS0 Boot Sources

Chapter 7

Clock and State Controller (CSC)

7.1 Theory of Operation

The Clock and State Controller (CSC) performs clock generation, clock frequency division, clock gating, and processor state and power mode control. The power mode and clock gating depend on the selected operational state.

7.1.1 Clock Domains

Two primary oscillator inputs provide the timebases for all clock domains:

- 32.768 kHz to control the power-down operations and real time clock (RTC).
- 14.7456 MHz to generate the main system clocks.

These two primary timebases are divided and gated to produce all other required clocks for the CPU and onboard peripherals, as well as an output clock (PGMCLK), as shown in Figure 7-1.

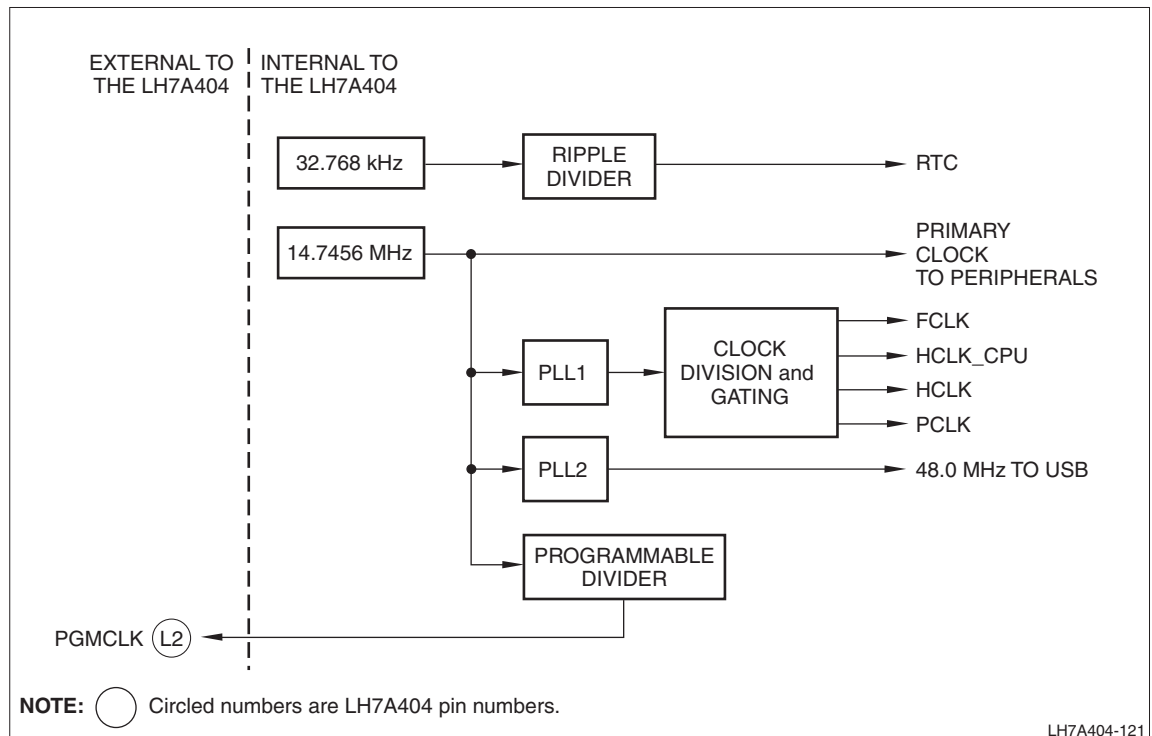


Figure 7-1. Clock Generation

7.1.1.1 32.768 kHz Clock

The 32.768 kHz clock is the only permanently running clock in the LH7A404. In addition to providing the timebase for the RTC, it is used to condition the wakeup signals, control transition between power saving states, and by other peripherals. The 32.768 kHz-derived clocks also control interlocks to allow the two PLLs to obtain lock before their system clock is supplied.

The 32.768 kHz division uses a ripple divider to conserve power. This two-stage divider produces the 1 Hz signal for the RTC as well as intermediate frequencies of 16 kHz and 8 kHz for the state controller and PLL interlocks (frequencies other than the primary oscillator frequency have been rounded for easier discussion in this chapter). A 64 Hz divided signal provides the TICK interrupt used by wakeup control. See Section 7.1.1.4 for more on the TICK interrupt.

7.1.1.2 14.7456 MHz Clock

The 14.7456 MHz clock provides the timebase for all other LH7A404 peripherals and functions. As shown in Figure 7-2, PLL1 generates an internal clock signal called GCLK, which is the same frequency as FCLK. The clock controller divides GCLK as specified in the CLKSET register, to generate:

- The Synchronous Bus Mode core clocking (FCLK)
- The FASTBUS Mode core clocking (HCLK_CPU)
- APB and peripheral clocking (PCLK) This is the main clock for:
 - Watchdog Timer
 - Synchronous Serial Port
- AHB and peripheral clocking (HCLK). HCLK is the main clock for:
 - All memory interfaces, including the SDRAM used in the system
 - Bus arbitration
 - Keyboard/Mouse Interface
 - All Advanced High-performance Bus (AHB) peripherals.

HCLK must be at least twice as fast as the fastest active peripheral clock frequency (except the USB Host and USB Device). For example, if the UART is used at its highest baud rate, HCLK must be greater than 29.49 MHz.

These clock signals are all generated as shown in Figure 7-2. Divisor values for Main Divider 1, Main Divider 2, HCLKDIV, PCLKDIV, and the PS exponent are specified by software in the Clock Set register (CLKSET).

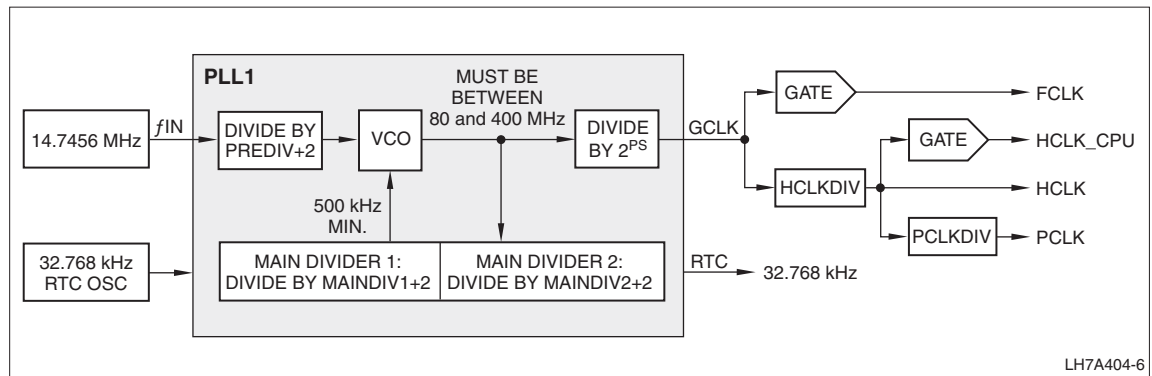


Figure 7-2. Clock Signal Derivation

The equation governing the PLL1 output (GCLK), using the CLKSET register MAINDIV1, MAINDIV2, PREDIV, and PS fields is:

$$GCLK = \frac{(MAINDIV1 + 2) \times (MAINDIV2 + 2) \times 14.7456 \text{ MHz}}{(PREDIV + 2) \times (2^{PS})}$$

Software must specify the CLKSET field values such that the feedback frequency to the PLL1 voltage controlled oscillator (VCO) is greater than 500 kHz and the VCO output frequency is within the range of 80 MHz to 400 MHz.

The system clocks generated from GCLK are:

- FCLK, which is the same as GCLK, with a maximum frequency of 266 MHz.
- HCLK, generated from FCLK using CLKSET:HCLKDIV (maximum HCLK = 133 MHz), is:

$$HCLK = \frac{FCLK}{HCLKDIV + 1}$$

- PCLK, generated from HCLK using CLKSET:PCLKDIV is:

$$PCLK = \frac{HCLK}{PCLKDIV}$$

The HCLK frequency must be less than or equal to FCLK. Table 7-1 illustrates all permissible frequencies for FCLK, HCLK, and PCLK. Any other frequency may cause unpredictable results.

The FCLK and HCLK columns show the nominal frequency, with the actual frequency in parenthesis.

Table 7-1. FCLK and HCLK Frequency Settings for CLKSET Register

FCLK	HCLK	CLKSET REGISTER WITH PCLK = HCLK/2	CLKSET REGISTER WITH PCLK = HCLK/4
33 (32.9836 MHz)	33 (32.9836 MHz)	000847C4	000947C4
50 (50.0068 MHz)	50 (50.0068 MHz)	000455D4	000555D4
66 (65.9672 MHz)	33 (32.9836 MHz)	000447C5	000547C5
	66 (65.9672 MHz)	000447C4	000547C4
75 (75.0102 MHz)	75 (75.0102 MHz)	000485D4	000585D4
100 (99.9936 MHz)	50 (49.9968 MHz)	0004EAB9	0005EAB9
	100 (99.9936 MHz)	0004EAB8	0005EAB8
132 (132.7104 MHz)	33 (33.1776 MHz)	00088513	00098513
	66 (66.3552 MHz)	00088511	00098511
150 (150.0891 MHz)	75 (75.0446 MHz)	00048EB1	00058EB1
166 (165.8880 MHz)	83 (82.9440 MHz)	0004CEC1	0005CEC1
200 (199.9872 MHz)	50 (49.9968 MHz)	0004EE3B	0005EE3B
	66 (66.6624 MHz)	0004EE3A	0005EE3A
	100 (99.9936 MHz)	0004EE39	0005EE39
266 (265.4208 MHz)	133 (132.7104 MHz)	000BDC1	—

7.1.1.2.1 Peripheral Clocks

Table 7-2 shows the derived clocks for each peripheral and the necessary divisor. Each of these clocks is synchronized to HCLK.

Table 7-2. Peripheral Primary Clock Inputs

PERIPHERAL	PRIMARY CLOCK INPUT	14.7456 MHz DIVISOR
SSI	7.3728 MHz	2
BMI	7.3728 MHz	2
UART1	14.7456 or 7.3728 MHz	1 or 2
UART2	14.7456 or 7.3728 MHz	1 or 2
UART3	14.7456 or 7.3728 MHz	1 or 2
DC-DC Converters (PWM0 and PWM1)	2.9491 MHz	5
PWM2 and PWM3	Derived from HCLK	
ACI	128.2226 kHz	115
AC97	2.9491 MHz	5
Timers 1 and 2	508.4690 kHz and 1.9940 kHz	29 and 7,395
Timer 3	3.6864 MHz	4
USB Host/USB Device	48 MHz	Output of PLL2
MMC	Derived from HCLK	
SCI	Derived from HCLK	
ADC/TSC	1.8432 MHz	8
KMI	Derived from HCLK	
LCD Controller	HCLK or External Source	

7.1.1.3 Reset

After a power-on reset, the 32.768 kHz clock is the only valid clock and both PLLs are disabled. On entering the Run state, PLL1 is enabled and the CLKSET register is reset to generate 33 MHz on both FCLK and HCLK. See the State Controller section in this chapter for more information about operating state transitions.

Coming out of reset, the LH7A404 core executes in FASTBUS mode. In this mode, it only uses HCLK_CPU and ignores FCLK. This mode provides fastest code execution when the AHB clock and the core clock have the same frequency, that is, when CLKSET:HCLKDIV value is zero, indicating divide by 1. If CLKSET:HCLKDIV is programmed to be anything other than zero, the core uses FCLK for internal operations and HCLK_CPU for AHB accesses. The LH7A404 core must be switched to Synchronous mode in order to do this. See the Register section for a description of CLKSET:HCLKDIV operation. Reset timing appears in the LH7A404 Data Sheet.

7.1.1.4 TICK and TICK Timeout Interrupt Generation

The clock and state controller also provide the functionality to generate the 64 Hz TICK Interrupt (TINTR). This interrupt is asserted on every rising edge of the internal 64 Hz clock signal. This 64 Hz clock is derived from the ripple counter that divides the 32.768 kHz oscillator input down to 1 Hz for the real time clock. This interrupt is cleared by writing to the TEOI register.

An extension of the TICK Interrupt is the TICK Timeout Interrupt (TTINT). This interrupt will become active on a rising edge of the periodic 64 Hz tick interrupt clock if the TICK Interrupt is still active. i.e. if a TICK Interrupt has not been serviced for a complete TICK period. TTINT is cleared by writing to the TEOI register.

7.1.2 State Controller

The LH7A404 has three operating states: Run, Halt, and Standby. These are used to reduce power consumption. In Halt, some clocks and peripherals are disabled, reducing power from the Run state. In Standby, only the 32.768 kHz clock and state controller are operational, resulting in the minimum power consumption possible. The operational states and state transitions are shown in Figure 7-3. In the figure, 'Cold Boot Status' is a short-term Standby state.

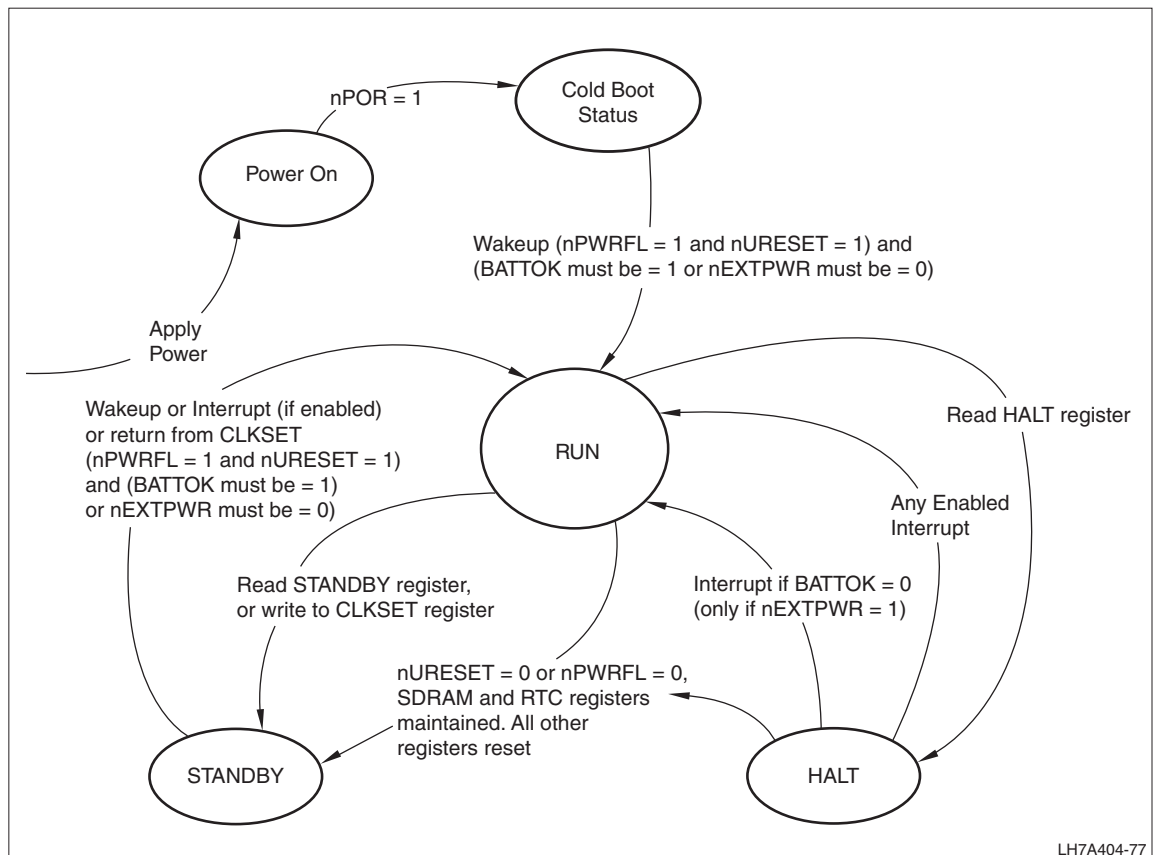


Figure 7-3. State Transition Diagram

7.1.2.1 Run State

In Run state, both oscillator inputs and all clocks are hardware enabled. Software can specify the other active and inactive clocks.

The Run state can be entered from Standby or Halt.

7.1.2.1.1 Standby to Run Transition

The Run state can be entered from Standby through any one of three ways.

- From Standby, Run is entered in response to a rising edge on WAKEUP (pin F3). Because power-on reset disables interrupts, this signal is the only way to enter Run from Standby after power-on reset. This condition is the 'Cold Boot Status' in Figure 7-3.
 - Note that there is a delay of 1-2 seconds before Run is entered. This is to allow sampling the BATOK and nEXTPWR signals.
- From Standby, Run is entered following an exit from a clock set register (CLKSET) write. Writing to the CLKSET register causes the LH7A404 to enter Standby for an interval long enough for PLL1 to lock. Once the interval expires, the LH7A404 returns to Run.
- From Standby, with interrupts enabled, Run is entered in response to an interrupt (IRQ) or fast interrupt (FIQ) falling edge (interrupts are active LOW). This takes approximately 10-15 ms. Note that Standby cannot be exited by the TICK interrupt or the PENIRQ.

7.1.2.1.2 Halt-to-Run Transition

The Run state can be entered from Halt:

- From Halt, with interrupts enabled, Run is entered in response to an interrupt (IRQ) or fast interrupt (FIQ) falling edge (interrupts are active LOW). Note that Halt cannot be exited by the TICK interrupt or the PENIRQ.
- If the interrupt is generated in response to BATOK = 0 (low battery condition), run is entered only if nEXTPWR = 1 (i.e. battery only power). In this instance, BATOK must be stable for at least 61 μ s to generate an interrupt.

7.1.2.2 Halt State

The Halt state is designed to reduce system power consumption while the LH7A404 waits for an event such as keyboard input. Although the 14.7456 MHz oscillator input is enabled, the processor clock is halted; software can specify the other active and inactive clocks. The LCD screen image is maintained. Power consumption is reduced from the Run state, but since the 14.7456 MHz oscillator continues to run, Halt consumes more power than when in the Standby state.

7.1.2.2.1 Run to Halt Transition

While in the Run state, reading the HALT register puts the LH7A404 in Halt state. This is the only method to enter the Halt state. Because of ARM922T pipelining, five NOP instructions must follow this read.

7.1.2.3 Standby State

Standby is the lowest power state. Only the 32.768 kHz oscillator is enabled in this state. The RTC and state controller are the only active functional blocks. The 14.7456 MHz oscillator input is disabled and all associated clocks are halted, and the LCD controller is disabled. When Standby transition is initiated, the CLKEN signal goes LOW and can be used to disable an external 14.7456 oscillator circuit.

The LH7A404 enters the Standby state from the Run state, a reset, at power on, and temporarily when software writes to the CLKSET register. The SDRAM Controller automatically places the SDRAM in self refresh before the clocks are disabled in Standby, allowing their contents to be maintained.

IMPORTANT: All pending interrupts must be cleared prior to entering Standby. Failure to do so can result in unpredictable behavior.

7.1.2.3.1 Run to Standby Transition

Four conditions transition the LH7A404 from Run to Standby. Two of these are under software control, and two are independent of the LH7A404 software.

- From the Run state, a read of the STBY register allows software to program a transition to the Standby state. Because of ARM922T pipelining, five NOP instructions must follow this read.
- When in Run and the CLKSET register is written (new divisors set for the system clocks), the LH7A404 enters Standby while the PLL stabilizes, then automatically returns to Run.
- From Run state, a valid LOW on nPWRFL changes to the Standby state. After this transition, the state controller will hold the Standby state for one to two 16.384 kHz clocks (61 μ s to 122 μ s) before allowing any further state transitions, thus defining a minimum Standby period (allowing clocks to stabilize). The external power (nEXTPWR) and battery supply (BATOK) signals can block any subsequent transition from Standby to Run, as shown in Table 7-3. The signal sampling is delayed by one or two seconds, to avoid any false good indication caused by alkaline battery recovery (voltage bounce) after a battery low power-off. Note that Standby is entered immediately following the current bus cycle without software cooperation.
- From Run state, a valid LOW level on nURESET (pin E1) changes to the Standby state. After this transition, the state controller will hold the Standby state for one to two 16.384 kHz clocks (61 μ s to 122 μ s) before allowing any further state transitions, thus defining a minimum Standby period (allowing clocks to stabilize).

From Standby, the system can enter only the Run state. After transitioning to the Run state, software can read the PWRSR register to identify the reset nature and source.

Table 7-3. Effect of nEXTPWR and BATOK on Standby to Run Transition

nEXTPWR	BATOK	EFFECT
0	0	Using external power supply. Transition is possible.
0	1	
1	0	Invalid
1	1	Using battery. Battery is OK. Transition is possible.

7.1.2.3.2 Halt to Standby Transition

Standby can also be entered from the Halt state. In the same way as Run-to-Standby transitions without software intervention, the same two hardware conditions cause a transition from Halt to Standby.

- From Halt state, a valid LOW on nPWRFL (pin F4) changes to the Standby state. After this transition, the state controller will hold the Standby state for one to two 16.384 kHz clocks (61 μ s to 122 μ s) before allowing any further state transitions, thus defining a minimum Standby period (allowing clocks to stabilize). The external power (nEXTPWR) and battery supply (BATOK) signals can block any subsequent transition from Standby to Run, as shown in Table 7-3.
- From Halt state, a valid LOW level on nURESET (pin E1) changes to the Standby state. After this transition, the state controller will hold the Standby state for one to two 16.384 kHz clocks (61 to 122 μ s) before allowing any further state transitions, thus defining a minimum Standby period (allowing clocks to stabilize).

7.2 Register Reference

This section describes the CSC registers.

7.2.1 Memory Map

The CSC registers offsets shown in Table 7-4 are relative to the clock and state controller base address (CSCBase), 0x8000.0400.

Table 7-4. Clock and State Controller Memory Map

ADDRESS OFFSET	NAME	DESCRIPTION
0x00	PWRSR	Read to identify the current operational state.
0x04	PWRCNT	Write to specify or read to identify the clock and debug control status.
0x08	HALT	Read to enter Halt.
0x0C	STBY	Read to enter Standby.
0x10	BLEOI	Write to clear a Low Battery interrupt (BLINT). See the Vectored Interrupt Controller chapter in this book.
0x14	MCEOI	Write to clear a Media Changed interrupt (MCINT). See the Vectored Interrupt Controller chapter in this book.
0x18	TEOI	Write to clear a Tick Interrupt (TINTR). See the Vectored Interrupt Controller chapter in this book.
0x1C	STFCLR	Write to clear a New Battery (NBFLG), User Reset (RSTFLG), Power Fail (PFFLG) and Cold Start (CLDFLG) flags. These flags can be read in the PWRSR register.
0x20	CLKSET	Write to specify or read to identify the clock speed.
0x40	SCRREG0	Use for general purpose storage.
0x44	SCRREG1	Use for general purpose storage.
0x48	///	Reserved. Reading returns unpredictable values. Do not write.
0x4C	USBRESET	Write to reset the USB, APB, and I/O controls.
0x50	///	Reserved. Reading returns unpredictable values. Do not write.
0x54	BMAR	Bus Master Arbitration register.
0x58	BOOTCLR	Boot Mode Clear register.

7.2.2 Register Descriptions

The following sections describe the contents and use of the register bit fields.

7.2.2.1 Power Reset Register (PWRSR)

From a reset or power-on, the LH7A404 enters the Standby state and can transition to the Run state on events as described in the State Controller section of this Chapter. In the Run state, read PWRSR to identify the cause of reset and related conditions.

This register is defined in Table 7-5 and Table 7-6.

Table 7-5. PWRSR Register

BIT	31	30	29	28	27	26	25	24	23	22	21	20	19	18	17	16
FIELD	CHIPMAN								CHIPID							
RESET	0	1	0	1	0	0	1	1	*	*	*	*	*	*	*	*
TYPE	RO	RO	RO	RO	RO	RO	RO	RO	RO	RO	RO	RO	RO	RO	RO	RO
BIT	15	14	13	12	11	10	9	8	7	6	5	4	3	2	1	0
FIELD	WDTFLG	LCKFLG	CLDFLG	PFFLG	RSTFLG	NBFLG	WUON	WUDR	DCDET	MCDR	RTCDIV					
RESET	0	0	0	0	0	0	0	0	0	0	0	0	0	0	0	0
TYPE	RO	RO	RO	RO	RO	RO	RO	RO	RO	RO	RO	RO	RO	RO	RO	RO
ADDR	0X8000.0400															

Table 7-6. PWRSR Bit Fields

BITS	NAME	DESCRIPTION
31:24	CHIPMAN	Chip Manufacturer ID This field contains the ID code for NXP: 0x53.
23:16	CHIPID	Chip Identification This field contains the chip revision number. This field changes with each revision. Revision A.0 = 0x21 Revision B.0 = 0x22 Revision B.1A = 0x22 Revision B3 = 0x22
15	WDTFLG	Watchdog Flag If the MCU is reset by an expiration of the WDT, this bit is set to allow software to determine the cause of the reset. 1 = MCU has been reset by the WDT. Clear this bit by writing STFCLR. 0 = The WDT has not reset the MCU
14	LCKFLG	PLL2 Lock Flag 1 = PLL2 is locked and software enabled. The software enable signal is a logical OR of all peripheral enable signals. 0 = PLL2 is unlocked.
13	CLDFLG	Cold Start Status Flag 1 = Power-on reset has occurred. Clear this bit by writing STFCLR. 0 = No power-on reset has occurred since this bit was last cleared.

Table 7-6. PWRSR Bit Fields (Cont'd)

BITS	NAME	DESCRIPTION
12	PFFLG	<p>Power Fail Status Flag</p> <p>1 = A LOW on nPWRFL has caused a power-fail reset. Clear this bit by writing STFCLR. 0 = No power-fail reset has occurred since this bit was last cleared.</p>
11	RSTFLG	<p>User Reset Status Flag</p> <p>1 = A LOW on nRESET has caused a user reset. Clear this bit by writing STFCLR. 0 = No user reset has occurred since this bit was last cleared.</p>
10	NBFLG	<p>New Battery Status Flag</p> <p>1 = A rising edge on nBATCHG indicates a new battery has been connected. Clear this bit by writing STFCLR. 0 = No battery change signal has occurred since this bit was last cleared.</p>
9	WUON	<p>Wake Up On</p> <p>1 = A rising edge on Wakeup has brought the system out of Standby. Clear this bit with a system reset or by writing HALT, STDBY, or STFCLR. 0 = The system has not entered Standby since this bit was last cleared.</p>
8	WUDR	<p>Wakeup Direct This value is the non-latched state of the Wakeup signal.</p>
7	DCDET	<p>Direct Current Detect</p> <p>1 = External power is powering the system. DCDET is the inverted nEXTPWR signal value. 0 = The system is being powered by a battery.</p>
6	MCDR	<p>Media Change Direct Read Non-latched value of the media changed (MEDCHG) signal.</p>
5:0	RTCDIV[5:0]	<p>Real Time Clock Divisor This value is the number of 64 Hz ticks that have elapsed since the last Real Time Clock Data Register (RTCDR) counter increment. Each bit of RTCDIV is a frequency output:</p> <ul style="list-style-type: none"> • Bit 5 is the 2 Hz output. • Bit 4 is the 4 Hz output. • Bit 3 is the 8 Hz output. • Bit 2 is the 16 Hz output. • Bit 1 is the 32 Hz output. • Bit 0 is the 64 Hz output. <p>For a 38-bit counter, synchronize RTCDIV with RTCDR.</p>

7.2.2.2 Power Control Register (PWRCNT)

The CSC generates and gates peripheral clocks based on the external 14.7456 MHz oscillator input. Write the power control register to enable the clocks used by the DMA Controller and set the programmable clock divider for the PGMCLK output.

The DMAM2MCHx and DMAM2PCHx fields enable and disable the DMA clock (HCLK) for DMA on the particular channel. Writing a 0 to a channel bit disables the clock; writing a 1 enables the clock. Several clock cycles must transpire between enabling the clock and when the DMA Controller is operational. The number of cycles needed depends on the HCLK and PCLK divisor specified in CLKSET. To save power, ensure all unused DMA channel bits in this field are 0s.

Note that at reset all bits are zero, disabling the Program Clock, UARTs, and the DMA Controller.

This register is defined in Table 7-7 and Table 7-8.

Table 7-7. PWRCNT Register

BIT	31	30	29	28	27	26	25	24	23	22	21	20	19	18	17	16	
FIELD	///		UARTBAUD	USHEN	DMAM2MCH1	DMAM2MCH0	DMAM2PCH8	DMAM2PCH9	DMAM2PCH6	DMAM2PCH7	DMAM2PCH4	DMAM2PCH5	DMAM2PCH2	DMAM2PCH3	DMAM2PCH0	DMAM2PCH1	
RESET	0	0	0	0	0	0	0	0	0	0	0	0	0	0	0	0	
TYPE	RO	RO	RW	RW	RW	RW	RW	RW	RW	RW	RW	RW	RW	RW	RW	RW	
BIT	15	14	13	12	11	10	9	8	7	6	5	4	3	2	1	0	
FIELD	PGMCLK									///						WAKEDIS	WDTSEL
RESET	0	0	0	0	0	0	0	0	0	0	0	0	0	0	0	0	
TYPE	RW	RW	RW	RW	RW	RW	RW	RW	RO	RO	RO	RO	RO	RO	RW	RW	
ADDR	0x8000.0404																

Table 7-8. PWRCNT Fields

BITS	NAME	DESCRIPTION
31:30	///	Reserved Reading returns 0. Write the reset value.
29	UARTBAUD	<p>UART Baud Clock Source This bit controls the clock frequency to the UARTs. The input to the UARTs is either the main oscillator frequency (14.7456 MHz) or 1/2 of that (7.3728 MHz). This allows control over the maximum and minimum baud rates, arrived at by the UART baud rate divider. At 14.7456 MHz, the maximum baud rate is 921 kbps; at 7.3728 MHz the maximum baud rate is 460 kbps.</p> <p>1 = 14.7456 MHz UART clock input 0 = 7.3728 MHz UART clock input</p>

Table 7-8. PWRCNT Fields (Cont'd)

BITS	NAME	DESCRIPTION
28	USHEN	<p>USB Host Clock Enable This bit can be used to save power by gating the HCLK to the USB Host when it is inactive. At reset, it is 0. This bit must be set to 1 prior to accessing any register in the USB Host. There is a finite delay before the USB Host becomes active following writing a 1 to this bit.</p> <p>The state of this bit is reflected on the USBHPWR pin.</p> <p>1 = Clock enabled 0 = Clock disabled</p>
27:26	DMAM2MCHx	<p>DMA M2M Clock Enable These two bits enable the clock to the respective DMA channel. The bit must be programmed to 1 before the DMA controller can be read or written to. A delay of at least 10 clock cycles must be inserted before accessing the DMA Controller.</p> <p>For lowest power consumption, ensure all unused bits are 0.</p> <p>1 = Clock enabled 0 = Clock disabled</p>
25:16	DMAM2PCHx	<p>DMA M2P Clock Enable These bits enable the clocks to the individual DMA controller channels. The particular channel's enable bit must be asserted before any register within the DMA Controller can be read or written to. A delay of at least 10 clock cycles must be inserted before accessing the DMA Controller.</p> <p>For lowest power consumption, ensure all unused bits are 0.</p> <p>1 = Enables HCLK to the DMA Controller for selected DMA channel. 0 = Disables HCLK to the DMA Controller for selected DMA channel.</p>
15:8	PGMCLK	<p>Program Clock Divisor Specifies the PGMCLK clock divisor. The PGMCLK output frequency is 14.7456 MHz divided by this field value. Only even-numbered divisors and 1 may be used. The following examples of the highest and lowest divider values show the output frequency range (0xFF is not an allowable divisor):</p> <p>0x02 = PGMCLK output is $14.7456/2 = 7.3728$ MHz. 0xFE = PGMCLK output is $14.7456/254 = 58.053$ kHz. 0 = Disable the PGMCLK output.</p>
7:2	///	Reserved Reading returns 0. Write the reset value.
1	WAKEDIS	<p>Wakeup Disable</p> <p>1 = Disable waking-up from Standby via the WAKEUP. 0 = Enable waking-up from Standby via the WAKEUP.</p>
0	WDTSEL	<p>Watchdog Timer Reset Select This bit must always be programmed to 0.</p> <p>1 = Invalid 0 = WDT generates a WDT reset.</p>

7.2.2.3 Halt and Standby Read-to-Enter Registers (HALT) (STBY)

Reading STBY or HALT puts the LH7A404 into the Standby or Halt power saving operational state. Five NOP instructions must immediately follow any read from STBY to accommodate ARM922T instruction pipelining.

This register is defined in Table 7-9, Table 7-10, and Table 7-11.

Table 7-9. HALT and STBY Registers

BIT	31	30	29	28	27	26	25	24	23	22	21	20	19	18	17	16
FIELD	HALT or STBY															
RESET	0	0	0	0	0	0	0	0	0	0	0	0	0	0	0	0
TYPE	RO	RO	RO	RO	RO	RO	RO	RO	RO	RO	RO	RO	RO	RO	RO	RO
BIT	15	14	13	12	11	10	9	8	7	6	5	4	3	2	1	0
FIELD	HALT or STBY															
RESET	0	0	0	0	0	0	0	0	0	0	0	0	0	0	0	0
TYPE	RO	RO	RO	RO	RO	RO	RO	RO	RO	RO	RO	RO	RO	RO	RO	RO
ADDR	0x8000.0408 HALT 0x8000.040C STBY															

Table 7-10. HALT Field

BITS	NAME	DESCRIPTION
31:0	HALT	Reading this field causes a transition to the Halt state. Writing this field has no effect on the register contents or on the operational state.

Table 7-11. STBY Field

BITS	NAME	DESCRIPTION
31:0	STBY	Reading this field causes a transition to the Standby state. Writing this field has no effect on the register contents or on the operational state. After a read, 5 NOP instructions must be executed to accommodate pipelining.

7.2.2.4 Interrupt and Flag Clearing Registers (BLEOI, MCEOI, TEOI, STFCLR)

Writing any value to one of these four registers causes the associated interrupt flag to be cleared to 0. Reading these registers returns unusable data; do not read. The registers are defined in Table 7-12 through Table 7-16.

Table 7-12. BLEOI, MCEOI, TEOI and STRCLR Registers

BIT	31	30	29	28	27	26	25	24	23	22	21	20	19	18	17	16
FIELD	CLEAR FLAG															
RESET	0															
TYPE	WO	WO	WO	WO	WO	WO	WO	WO	WO	WO	WO	WO	WO	WO	WO	WO
BIT	15	14	13	12	11	10	9	8	7	6	5	4	3	2	1	0
FIELD	CLEAR FLAG															
RESET	0															
TYPE	WO	WO	WO	WO	WO	WO	WO	WO	WO	WO	WO	WO	WO	WO	WO	WO
ADDR	0x8000.0410 (BLEOI) 0x8000.0414 (MCEOI) 0x8000.0418 (TEOI) 0x8000.041C (STFCLR)															

Table 7-13. BLEOI Fields

BITS	NAME	DESCRIPTION
31:0	BLEOI	Writing any value clears the Battery Low interrupt (BLINT).

Table 7-14. MCEOI Fields

BITS	NAME	DESCRIPTION
31:0	MCEOI	Writing any value clears the Media Change interrupt (MCINT).

Table 7-15. TEOI Fields

BITS	NAME	DESCRIPTION
31:0	TEOI	Writing any value clears the TICK Interrupt (TINTR) and the TICK Timeout Interrupt (TTINT).

Table 7-16. STFCLR Fields

BITS	NAME	DESCRIPTION
31:0	STFCLR	Writing any value clears the New Battery (NBFLG), User Reset (RSTFLG), Power Fail (PFFLG), Watchdog Timer Flag (WDTFLG) and Cold Start (CLDFLG) flags in the PWRSR register.

7.2.2.5 Clock Set Register (CLKSET)

The CLKSET register is defined in Table 7-17 and Table 7-18. Write this register to enable and specify the divisors and gates used by PLL1 for providing the system and peripheral clocks. Writing this register puts the LH7A404 in Standby state for 2 to 4 32-kHz clock periods, allowing time for any PLL1 changes to take effect.

The reset value for CLKSET is 0x000847C4, resulting in FCLK = HCLK = 33 MHz and PCLK = 16.5 MHz. See Table 7-19 for example CLKSET values.

Table 7-17. CLKSET Register

BIT	31	30	29	28	27	26	25	24	23	22	21	20	19	18	17	16
FIELD	///							SMCROM	///				PS		PCLKDIV	
RESET	0	0	0	0	0	0	0	0	0	0	0	0	1	0	0	0
TYPE	RO	RO	RO	RO	RO	RO	RO	RW	RW	RW	RW	RW	RW	RW	RW	RW
BIT	15	14	13	12	11	10	9	8	7	6	5	4	3	2	1	0
FIELD	MAINDIV2					MAINDIV1				PREDIV				HCLKDIV		
RESET	0	1	0	0	0	1	1	1	1	1	0	0	0	1	0	0
TYPE	RW	RW	RW	RW	RW	RW	RW	RW	RW	RW	RW	RW	RW	RW	RW	RW
ADDR	0x8000.0420															

Table 7-18. CLKSET Fields

BITS	NAME	DESCRIPTION
31:25	///	Reserved Reading returns 0. Write the reset value.
24	SMCROM	SCM Clock Disable 1 = Disables the HCLK gate to the Static Memory Controller (SMC) in Halt to save power. In Halt, no instruction code fetches occur. With no DMA operations requiring the SMC, no SMC controller accesses need occur. 0 = HCLK gate to SMC is enabled.
23:20	///	Reserved Reading returns 0. Write the reset value.
19:18	PS	PS Divisor Specifies the divisor (2^{PS}) for the output clock signal from PLL1: 00 = divide-by-1 01 = divide-by-2 10 = divide-by-4 11 = divide-by-8 After a power-on reset, PS = 0b10 (divide-by-4).

Table 7-18. CLKSET Fields (Cont'd)

BITS	NAME	DESCRIPTION
17:16	PCLKDIV	<p>PCLK Divisor Specifies the divisor for the HCLK AHB clock to generate the PCLK APB clock:</p> <p>00 = divide-by-2 01 = divide-by-4 10 = divide-by-8 11 = divide-by-8</p> <p>After power-on reset, PCKLKDIV = 00 (divide-by-2). When specifying PCLKDIV, be sure to maintain the required minimum ratio between PCLK and the peripheral clock.</p> <p>Note that the SmartCard interface cannot be used with PCLKDIV set to 8.</p>
15:11	MAINDIV2	<p>Main Divisor 2 Specifies a divisor value used in PLL1. After a power-on reset, MAINDIV2 = 0b01000. See Section 7.1.1.2 for the equation.</p>
10:7	MAINDIV1	<p>Main Divisor 1 Specifies a divisor value used in PLL1. After a power-on reset, MAINDIV1 = 0b1111. See Section 7.1.1.2 for the equation.</p>
6:2	PREDIV	<p>Predivisor Specifies the pre-divisor value used in PLL1. After a power-on reset, PREDIV = 0b10001.</p>
1:0	HCLKDIV	<p>HCLK Divisor Specifies the divisor value for HCLK to generate the FCLK processor clock:</p> <p>00 = divide-by-1. With FCLK = HCLK, the processor runs in FASTBUS mode for maximum core-to-AHB efficiency. 01 = divide by 2 10 = divide by 3 11 = divide by 4</p> <p>After a power-on reset, HCLKDIV = 00. For any selection other than divide-by-1, configure LH7A404 in synchronous bus mode. (See the documentation from ARM on coprocessor 15, register 1.) In this mode, the processor core uses FCLK for internal operations, either between registers or within the cache, but uses HCLK_CPU for all external operations involving the AHB bus. This dual clock runs the processor core and cache at maximum speed and the external peripherals at optimum speed.</p> <p>Changing from FASTBUS mode to Synchronous Bus mode must be done:</p> <ul style="list-style-type: none"> When switching from a divide ratio of 1 to 2 or more, change to Synchronous Bus mode before writing the CLKSET register. <p>Changing from Synchronous Bus mode to FASTBUS mode must be done:</p> <ul style="list-style-type: none"> When switching from a divide ratio of 2 or more to 1, change to FASTBUS mode after writing the CLKSET register and the associated return from Standby. Switching from FCLK to HCLK_CPU introduces a delay of between 1/2 to 1 HCLK_CPU cycles. Switching back to FCLK introduces a delay of between 1/2 to 1 FCLK cycles. <p>Switching from FCLK to HCLK_CPU introduces a delay of between 1/2 to 1 HCLK_CPU cycles. Switching back to FCLK introduces a delay of between 1/2 to 1 FCLK cycles.</p>

The equation governing the PLL1 output (GCLK), using the CLKSET register MAINDIV1, MAINDIV2, PREDIV, and PS fields is:

$$GCLK = \frac{(MAINDIV1 + 2) \times (MAINDIV2 + 2) \times 14.7456 \text{ MHz}}{(PREDIV + 2) \times (2^{PS})}$$

Software must specify the CLKSET field values such that the feedback frequency to the PLL1 voltage controlled oscillator (VCO) is greater than 500 kHz and the VCO output frequency is within the range of 80 MHz to 400 MHz.

The system clocks generated from GCLK are:

- FCLK, which is the same as GCLK, with a maximum frequency of 200 MHz.
- HCLK, generated from FCLK using CLKSET:HCLKDIV (maximum HCLK = 100 MHz), is:

$$HCLK = \frac{FCLK}{HCLKDIV + 1}$$

- PCLK, generated from HCLK using CLKSET:PCLKDIV is:

$$PCLK = \frac{HCLK}{PCLKDIV}$$

The HCLK frequency must be less than or equal to FCLK.

Table 7-19. FCLK and HCLK Frequency Settings for CLKSET Register

FCLK	HCLK	CLKSET REGISTER WITH PCLK = HCLK/2	CLKSET REGISTER WITH PCLK = HCLK/4
33 (32.9836 MHz)	33 (32.9836 MHz)	000847C4*	000947C4
50 (50.0068 MHz)	50 (50.0068 MHz)	000455D4	000555D4
66 (65.9672 MHz)	33 (32.9836 MHz)	000447C5	000547C5
	66 (65.9672 MHz)	000447C4	000547C4
75 (75.0102 MHz)	75 (75.0102 MHz)	000485D4	000585D4
100 (99.9936 MHz)	50 (49.9968 MHz)	0004EAB9	0005EAB9
	100 (99.9936 MHz)	0004EAB8	0005EAB8
132 (132.7104 MHz)	33 (33.1776 MHz)	00088513	00098513
	66 (66.3552 MHz)	00088511	00098511
150 (150.0891 MHz)	75 (75.0446 MHz)	00048EB1	00058EB1
166 (165.8880 MHz)	83 (82.9440 MHz)	0004CEC1	0005CEC1
200 (199.9872 MHz)	50 (49.9968 MHz)	0004EE3B	0005EE3B
	66 (66.6624 MHz)	0004EE3A	0005EE3A
	100 (99.9936 MHz)	0004EE39	0005EE39
266 (265.4208 MHz)	133 (132.7104 MHz)	0000BDC1	—

NOTE: *Value following reset

7.2.2.6 General Purpose Storage Registers (SCRREGx)

SCRREG0 and SCRREG1 are 32-bit RW scratch registers for general purpose storage. A power-on reset clears these registers. Other system resets have no effect on the contents of these registers.

The register field bit positions, names, access types and reset values are shown in Table 7-20.

Table 7-20. SCRREG[1:0] Registers

BIT	31	30	29	28	27	26	25	24	23	22	21	20	19	18	17	16
FIELD	SCRREG1 or SCRREG0															
RESET	0	0	0	0	0	0	0	0	0	0	0	0	0	0	0	0
TYPE	RW	RW	RW	RW	RW	RW	RW	RW	RW	RW	RW	RW	RW	RW	RW	RW
BIT	15	14	13	12	11	10	9	8	7	6	5	4	3	2	1	0
FIELD	SCRREG1 or SCRREG0															
RESET	0	0	0	0	0	0	0	0	0	0	0	0	0	0	0	0
TYPE	RW	RW	RW	RW	RW	RW	RW	RW	RW	RW	RW	RW	RW	RW	RW	RW
ADDR	0x8000.0440 SCRREG0 0x8000.0444 SCRREG1															

Table 7-21. SCRREG[1:0] Fields

BITS	NAME	DESCRIPTION
31:0	SCRREG0 and SCRREG1	Scratch Register 0 and 1 In both registers, this field and be used as temporary storage at the user's discretion.

7.2.2.7 USB Device Reset Register (USB DRESET)

This register puts the processor in control of resetting the USB Device controller. Because a USB host controller can send a reset command to the USB peripheral, the LH7A404 must also be able to reset the APB registers in response.

The register is defined in Table 7-22 and Table 7-23.

Table 7-22. USB DRESET Register Description

BIT	31	30	29	28	27	26	25	24	23	22	21	20	19	18	17	16
FIELD	///															
RESET	0	0	0	0	0	0	0	0	0	0	0	0	0	0	0	0
TYPE	RO	RO	RO	RO	RO	RO	RO	RO	RO	RO	RO	RO	RO	RO	RO	RO
BIT	15	14	13	12	11	10	9	8	7	6	5	4	3	2	1	0
FIELD	///														APRESETREG	IORESETREG
RESET	0	0	0	0	0	0	0	0	0	0	0	0	0	0	0	0
TYPE	RO	RO	RO	RO	RO	RO	RO	RO	RO	RO	RO	RO	RO	RO	RW	RW
ADDR	0x8000.044C															

Table 7-23. USB DRESET Fields

BITS	NAME	DESCRIPTION
31:2	///	Reserved Reading returns 0. Write the reset value.
1	APBRESETREG	APB Reset Register 1 = Reset the USB Device control side. 0 = No reset.
0	IORESETREG	I/O Reset Register 1 = Reset the USB Device I/O side. 0 = No Reset.

7.2.2.8 Bus Master Arbitration Register (BMAR)

The BMAR register allows software to re-order the priority of the USB Host and the DMA Controller, change DMA response to interrupt requests, and change the priority assigned to the ARM core.

Table 7-24. BMAR Register

BIT	31	30	29	28	27	26	25	24	23	22	21	20	19	18	17	16
FIELD	///															
RESET	0	0	0	0	0	0	0	0	0	0	0	0	0	0	0	0
TYPE	RO	RO	RO	RO	RO	RO	RO	RO	RO	RO	RO	RO	RO	RO	RO	RO
BIT	15	14	13	12	11	10	9	8	7	6	5	4	3	2	1	0
FIELD	///											DENIRQ	DENFIQ	PRICORE	///	PRIORITY
RESET	0	0	0	0	0	0	0	0	0	0	0	0	0	0	0	0
TYPE	RO	RO	RO	RO	RO	RO	RO	RO	RO	RO	RW	RW	RW	RO	RW	RW
ADDR	0x8000.0454															

Table 7-25. BMAR Fields

BITS	NAME	DESCRIPTION
31:6	///	Reserved Reading returns 0. Write the reset value.
5	DENIRQ	De-grant DMA IRQ This bit allows instructing the system to de-grant DMA from the AHB bus and ignore subsequent requests from DMA when an IRQ is active. When the IRQ is cleared, DMA requests are honored again. 1 = De-grand DMA requests if IRQ active 0 = Do not de-grant DMA
4	DENFIQ	De-grant DMA FIQ This bit allows instructing the system to de-grant DMA from the AHB bus and ignore subsequent requests from DMA when an FIQ is active. When the FIQ is cleared, DMA requests are honored again. 1 = De-grand DMA requests if FIQ active 0 = Do not de-grant DMA
3	PRICORE	ARM Core Priority This bit changes priority of the ARM core. 1 = The priority given the ARM core is dependent on the previous granted master. If the previous grant was to the USB Host or DMA, the core gets top priority. IF the previous grant was to the ARM, the priority is determined by the PRIORITY field. 0 = Normal core priority
2	///	Reserved Reading returns 0. Write the reset value.
1:0	PRIORITY	Priority Order This field allows re-ordering the priority of the USB Host and the DMA Controller. The TIC remains the highest overall priority and the ARM Core the lowest. Table 7-26 defines these bits.

Table 7-26. PRIORITY Field Definition

PRIORITY [1:0]	DESCRIPTION
00	Priority order: USB Host, DMA Controller
01	Priority order: DMA Controller, USB Host
10	Priority order: DMA Controller, USB Host
11	Priority order: USB Host, DMA Controller

7.2.2.9 Boot ROM Clear Register (BOOTCLR)

This register is a write-only register that, when written to, removes the Boot ROM from the memory map.

Table 7-27. BOOTCLR Register

BIT	31	30	29	28	27	26	25	24	23	22	21	20	19	18	17	16
FIELD	BOOTCLR															
RESET	0	0	0	0	0	0	0	0	0	0	0	0	0	0	0	0
TYPE	WO	WO	WO	WO	WO	WO	WO	WO	WO	WO	WO	WO	WO	WO	WO	WO
BIT	15	14	13	12	11	10	9	8	7	6	5	4	3	2	1	0
FIELD	BOOTCLR															
RESET	0	0	0	0	0	0	0	0	0	0	0	0	0	0	0	0
TYPE	WO	WO	WO	WO	WO	WO	WO	WO	WO	WO	WO	WO	WO	WO	WO	WO
ADDR	0x8000.0458															

Table 7-28. BOOTCLR Fields

BITS	NAME	DESCRIPTION
31:0	BOOTCLR	Boot ROM Clear This field always reads as 0. Writing any value to this field causes the Boot ROM to be removed from the memory map.

Chapter 8

Pin and Signal Multiplexing

8.1 Theory of Operation

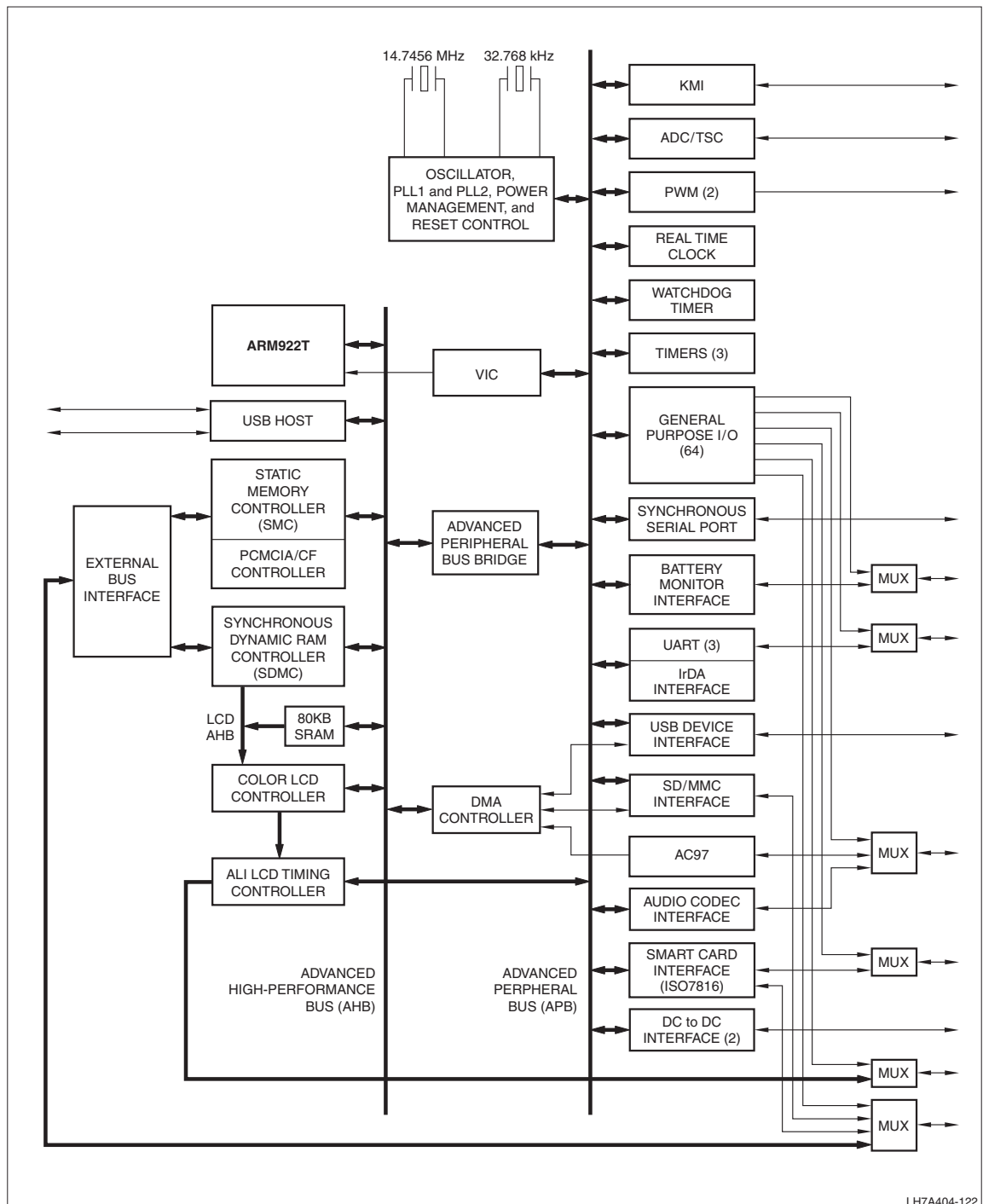


Figure 8-1. LH7A404 Multiplexing Block Diagram

Many pins on the LH7A404 PBGA package are multiplexed to support two or more different signals. This chapter summarizes the multiplexing scheme and describes how to activate each signal for each pin.

After power up or a reset, each multiplexed pin assumes a predetermined function. The function following a reset is defined in Chapter 1. Particular function of a given pin can be changed from the default setting by one of three methods:

- Setting the proper bits in one or more registers specifying the signal operation of the pin
- Enabling or disabling a specific LH7A404 subsystem
- Detection of an external connection on the pins.

All multiplexed signals are represented in the Multiplexing Block Diagram in Figure 8-1.

8.1.1 External Interrupt and GPIO Port F Multiplexing

After reset, the GPIO Port F[7:0] pins are configured as GPIO inputs. Software can configure each pin of Port F independently as an external interrupt source to be handled by the LH7A404 Interrupt Controller. To configure Port F pins as external interrupts, set the corresponding fields in the GPIO Interrupt Enable register (GPIOINTEN), as described in the GPIO chapter.

Port F Interrupt multiplexing and VIC assignment is shown in Table 8-1.

Table 8-1. GPIO Port F External Interrupt Multiplexing

PIN NUMBER	INTERRUPT NAME	VIC ASSIGNMENT	GPIO
E8	INT7	VIC 2, number 0x12	PF7
A7	INT6	VIC 2, number 0x11	PF6
D8	INT5	VIC 2, number 0x10	PF5
B8	INT4	VIC 2, number 0x0F	PF4
C8	INT3	VIC 1, number 0x16	PF3
A8	INT2	VIC 1, number 0x15	PF2
D9	INT1	VIC 1, number 0x14	PF1
A9	INT0	VIC 1, number 0x13	PF0

8.1.2 UART and GPIO Port B and Port C Multiplexing

The UART1 and UART3 data signals along with the UART3 modem status signals are multiplexed with GPIO Ports B[5:0] and C0, as shown in Table 8-2.

To configure the pins for UART3 data and modem status signals:

- Set the UART3 Control register UART Enable field (CON3:UARTEN) to enable UART3 operation (See Chapter 16).
- Set the PINMUX register UART3 Configuration field (PINMUX:UART3CON) (See Chapter 16).

Configure the pins for UART1 data signals by setting the UART1 Control register UART Enable field (CON1:UARTEN). Enabling UART1 infrared operation does not automatically reconfigure pins N4 (B0/UARTRX1) and P4 (C0/UARTRX1) as GPIO Ports. During infrared operation, UART1 continuously asserts UARTRX1 and ignores input on UARTRX1. To reconfigure the pins as GPIO, both the UARTEN and SIRD bits in CON1 must be programmed to 0 (See Chapter 16).

Table 8-2. UART Multiplexing

PIN	UART	GPIO
N4	UARTRX1	Port B0
P3	UARTTX3	Port B1
P2	UARTRX3	Port B2
P1	UARTCTS3	Port B3
R3	UARTDCD3	Port B4
N5	UARTDSR3	Port B5
P4	UARTTX1	Port C0

8.1.3 Memory, MultiMediaCard, GPIO Port G, GPIO Port H, and Address Multiplexing

The Static Memory Controller (SMC), Synchronous Dynamic Memory Controller (SDMC), MultiMediaCard (MMC) Interface, GPIO Port G and Port H, Asynchronous Address Line, and Synchronous Address Line signals are multiplexed as shown in Table 8-3.

Table 8-3. Memory and MMC Multiplexing

PIN	SMC	MMC	SDMC	GPIO
Y2	nPCOE			Port G0
W4	nPCWE			Port G1
Y3	nPCIOR			Port G2
U5	nPCIOW			Port G3
T5	nPCREG			Port G4
W5	nPCCE1			Port G5
Y4	nPCCE2			Port G6
W6	PCDIR			Port G7
V6	PCRESET1			Port H0
Y5	CFA8/PCRESET2			Port H1
W7	nPCSLOTE1			Port H2
U6	CFA9/PCMCIAA25/nPCSLOTE2			Port H3
W8	nPCWAIT1			Port H4
Y6	CFA10/PCMCIAA24/nPCWAIT2			Port H5
U7	nPCSTATRE			Port H7
N17	A2		SA0	
M19	A3		SA1	
M20	A4		SA2	
L20	A5		SA3	
M17	A6		SA4	
K18	A7		SA5	
K20	A8		SA6	
K19	A9		SA7	
J20	A10		SA8	
H20	A11		SA9	
J17	A12		SA10	
H18	A13		SA11	
F20	A14		SA12	
G18	A15		SA13	
H16	A16		SB0	
F18	A17		SB1	

8.1.3.1 PCMCIA/Compact Flash Multiplexing

The PCMCIA and CompactFlash (CF) PC Card support is multiplexed with the GPIO Ports G and H. To select PC Card or GPIO operation, set the PCMCIA Control register PC Cards 1 and 2 Enable fields (PCMCIACON:PC12EN), shown in Table 8-4 (Also see Chapter 5 for more details):

The GPIO Port G and H pin states at reset are:

- Port G Output (all bits driven LOW)
- Port H Input
- No cards enabled; Ports G and H configured as GPIO (PCMCIACON:PC12EN = 0b00).

Table 8-4. PC Card Enable Fields

PC12EN		FUNCTION
BIT 1	BIT 0	
0	0	Disables both cards, configuring Ports G and H as GPIO
0	1	Enables one card in CF mode at 0x4000.0000 (Slot 0)
1	0	Enables one card in PCMCIA mode at 0x4000.0000 (Slot 0)
1	1	Enables two cards, with the first card at 0x4000.0000 (Slot 0) and the second card at 0x5000.0000 (Slot 1). Either card can be CF or PCMCIA.

8.1.3.2 Synchronous and Asynchronous Memory Controller External Address Bus Multiplexing

The SDMC address signals SA[13:0] and the device bank select signals (SB[1:0]) are multiplexed with SMC address signals A[17:2], as shown in Table 8-3. The signals present on the LH7A404 external pins depend entirely on whether the external memory being accessed is in the Synchronous or Asynchronous memory space. For more information, see the SDRAM Controller Chapter.

8.1.4 LCD and GPIO Multiplexing

The Color LCD Controller (CLCDC) and the Advanced LCD Interface (ALI) signals are multiplexed with some GPIO signals. Depending on the LCD in use, the interface signals will be different for STN, TFT, or AD-TFT panels. Table 8-5 summarizes the signal multiplexing.

Table 8-5. LCD Controller Pins

CABGA PIN	RESET STATE	LCD SIGNAL	STN						TFT	AD-TFT/ HR-TFT
			MONO 4-BIT		MONO 8-BIT		COLOR			
			SINGLE PANEL	DUAL PANEL	SINGLE PANEL	DUAL PANEL	SINGLE PANEL	DUAL PANEL		
L4	PA1	LCDVD17								LOW
M2	PA0	LCDVD16								LOW
Y12	PD7	LCDVD15				MLSTN7		CLSTN7	Intensity	Intensity
V12	PD6	LCDVD14				MLSTN6		CLSTN6	BLUE4	BLUE4
U11	PD5	LCDVD13				MLSTN5		CLSTN5	BLUE3	BLUE3
W11	PD4	LCDVD12				MLSTN4		CLSTN4	BLUE2	BLUE2
V11	PD3	LCDVD11				MLSTN3		CLSTN3	BLUE1	BLUE1
W12	PD2	LCDVD10				MLSTN2		CLSTN2	BLUE0	BLUE0
U10	PD1	LCDVD9				MLSTN1		CLSTN1	GREEN4	GREEN4
Y11	PD0	LCDVD8				MLSTN0		CLSTN0	GREEN3	GREEN3
T9	PE3	LCDVD7		MLSTN3	MUSTN7	MUSTN7	CUSTN7	CUSTN7	GREEN2	GREEN2
V10	PE2	LCDVD6		MLSTN2	MUSTN6	MUSTN6	CUSTN6	CUSTN6	GREEN1	GREEN1
W10	PE1	LCDVD5		MLSTN1	MUSTN5	MUSTN5	CUSTN5	CUSTN5	GREEN0	GREEN0
Y9	PE0	LCDVD4		MLSTN0	MUSTN4	MUSTN4	CUSTN4	CUSTN4	RED4	RED4
Y8	LCDVD3	LCDVD3	MUSTN3	MUSTN3	MUSTN3	MUSTN3	CUSTN3	CUSTN3	RED3	RED3
W9	LCDVD2	LCDVD2	MUSTN2	MUSTN2	MUSTN2	MUSTN2	CUSTN2	CUSTN2	RED2	RED2
T8	LCDVD1	LCDVD1	MUSTN1	MUSTN1	MUSTN1	MUSTN1	CUSTN1	CUSTN1	RED1	RED1
V8	LCDVD0	LCDVD0	MUSTN0	MUSTN0	MUSTN0	MUSTN0	CUSTN0	CUSTN0	RED0	RED0
U3	LCDCLS	LCDCLS								LCDCLS
Y10	LCDDCLK	LCDDCLK	LCDDCLK	LCDDCLK	LCDDCLK	LCDDCLK	LCDDCLK	LCDDCLK	LCDDCLK	LCDDCLK
T4	LCDFP	LCDFP/ LCDSPS	LCDFP	LCDFP	LCDFP	LCDFP	LCDFP	LCDFP	LCDFP	LCDSPS
V2	LCDLP	LCDLP/ LCDHRLP	LCDLP	LCDLP	LCDLP	LCDLP	LCDLP	LCDLP	LCDLP	LCDHRLP
W2	LCDMOD	LCDMOD								LCDMOD
V5	LCDPS	LCDPS								LCDPS
W3	LCDREV	LCDREV								LCDREV
V3	LCDSPL	LCDSPL								LCDSPL
V4	LCDLBR	LCDLBR								LCDLBR
W1	LCDSPR	LCDSPR								LCDSPR
U4	LCDUBL	LCDUBL								LCDUBL
Y1	LCDVDDEN	LCDVDDEN								LCDVDDEN
U8	LCDCLKIN	LCDCLKIN	LCDCLKIN	LCDCLKIN	LCDCLKIN	LCDCLKIN	LCDCLKIN	LCDCLKIN	LCDCLKIN	LCDCLKIN
V9	LCDENAB	LCDENAB/ LCDM	LCDM	LCDM	LCDM	LCDM	LCDM	LCDM	LCDENAB	

Table 8-6 shows how to configure the CLCDC multiplexed pins. Note that if the monochrome 4-bit interface is used, Ports D and E can be used as GPIO.

Table 8-6. CLCDC Mode Configuration

PIN	GPIO	CLCDC	CONFIGURATION METHOD
M2	PA0	LCDVD16	Program the ALI Setup Register Conversion field (ALISSETUP:CR) with the value 0b01 to turn on the ALI.
L4	PA1	LCDVD17	
Y11	PD0	LCDVD8	To use these pins for LCD signals, program the PINMUX register Port D Output Control field (PINMUX:PDOCON) to 1.
U10	PD1	LCDVD9	
W12	PD2	LCDVD10	
V11	PD3	LCDVD11	
W11	PD4	LCDVD12	
U11	PD5	LCDVD13	
V12	PD6	LCDVD14	
Y12	PD7	LCDVD15	To use these pins for LCD signals, program PINMUX register Port E Output Control field (PINMUX:PEOCON) to 1.
Y9	PE0	LCDVD4	
W10	PE1	LCDVD5	
V10	PE2	LCDVD6	
T9	PE3	LCDVD7	

8.1.4.1 Reset State

Resetting the LH7A404 has the following effects and software must handle any necessary reconfiguration after reset:

- Reset activates the GPIO signals and deactivates the LCD signals.
- Reset configures the ALI to Bypass mode, for use with STN or TFT panels.

8.1.5 AC97, ACI, and GPIO Multiplexing

The AC97 Codec Reset signal (nAC97RESET) is multiplexed with GPIO Port H6. To use this pin for nAC97RESET, program the following registers:

- Set the AC97 General Control Register AC97 'Initialize FIFOs and Enable' field (GCR:IFE) to enable the AC97 Codec Interface.
- Clear the GPIO PINMUX register 'Codec On' field (PINMUX:CODECON) to disable the non-AC97 Audio Codec Interface (ACI).

The other AC97 Codec signals are multiplexed on the following pins:

- AC97 or ACI Bit Clock (ACBITCLK) pin C7
- AC97 or ACI Output (ACOUT) pin B7
- AC97 or ACI Synchronize (ACSYNC) pin A6
- AC97 or ACI Input (ACIN) pin B6

To configure these pins for ACI use, program PINMUX:CODECON to 1. To configure these pins for AC97 use, program PINMUX:CODECON to 0. After reset, the PINMUX:CODECON is 0.

8.1.6 Smart Card Interface, GPIO, and Address Multiplexing

The SCDETECT signal is multiplexed with Port F5 and INT5, as shown in Table 8-7.

Table 8-7. SCI Multiplexing

PIN	SCI	GPIO	INT
D8	SCDETECT	PF5	INT5

8.1.7 Battery Monitor Interface and GPIO Multiplexing

The following types of Battery Monitor Interfaces (BMI) can be configured under software control on the LH7A404:

- Single Wire Interface (SWI)
- Smart Battery Interface (SBI), a two-wire interface.

The SWI and SBI signals are multiplexed with the GPIO Port B[7:6] signals on pins R1 and R2, as shown in Table 8-8. Enabling either the SWI or the SBI automatically configures these pins as needed for the BMI:

- To enable SWI, set the SWI Control Register SWI Enable field (SWICR:SWIEN). Pin R2 is configured as the SWI Data signal (SWID). Pin R1 is configured as PB7.
- To enable SBI, set the SBI Control Register SBI Enable field (SBICR:SBI_EN). Pin R2 is configured as the SBI System Management Bus Data signal (SMBD). Pin R1 is configured as the SBI System Management Bus Clock signal (SMBCLK).

When both SWI and SBI are enabled, SWI signals take priority on pin R2.

Table 8-8. BMI Multiplexing

PIN	SWI	SBI	GPIO
R2	SWID	SMBD	PB6
R1		SMBCLK	PB7

Chapter 9

Vectored Interrupt Controller (VIC)

The LH7A404 incorporates two Vectored Interrupt Controllers (VIC1 and VIC2). A vectored interrupt has improved latency as it provides direct information about where service routines are located and eliminates levels of software arbitration needed with a more simple interrupt controller. Throughout this chapter, 'VIC' refers to both controllers. Information applying to a specific controller is noted as either 'VIC1' or 'VIC2'.

9.1 Theory of Operation

The LH7A404 provides hardware for initial prioritization and processing of up to 64 interrupts (32 interrupts per VIC). Of these 64 interrupts, 40 are routed from internal sources (such as the DMA controller, the Watchdog Timer, etc.); 16 are 'spare' and can be used as software interrupts; and 8 are available for external interrupts routed through GPIO Port F. Up to 16 interrupts on each VIC can be assigned as vectored interrupts. The VIC is programmed by application software, as other functional blocks, via a set of registers. The VIC block diagram appears in Figure 9-1.

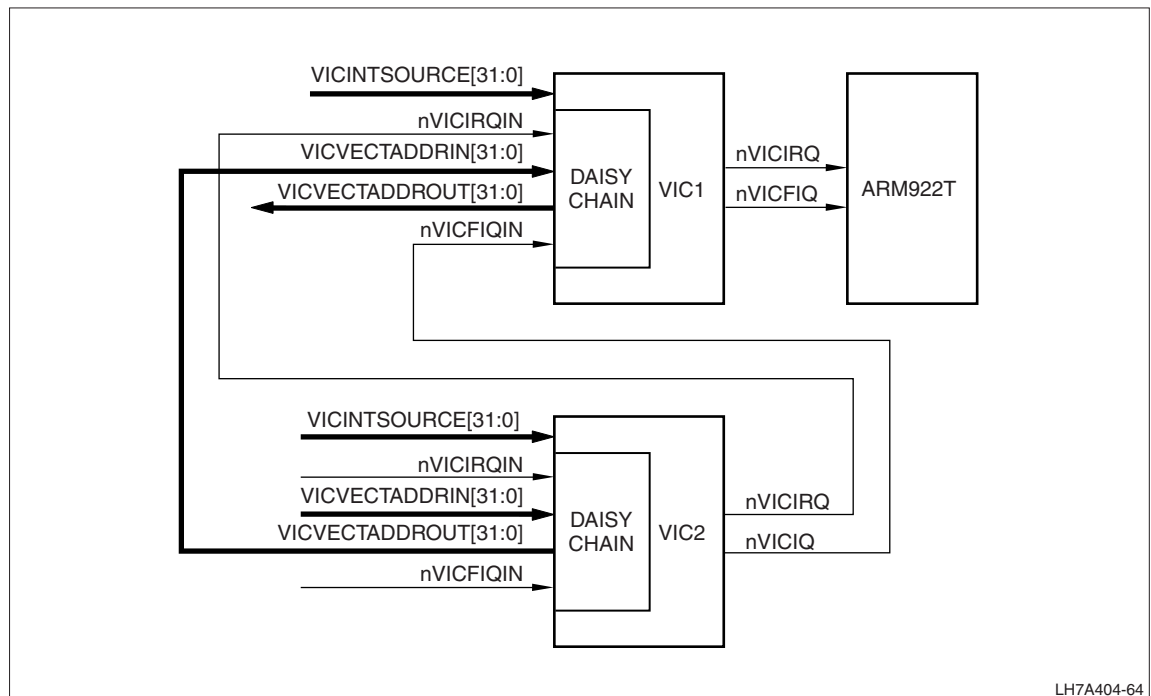


Figure 9-1. VIC System Block Diagram

Registers in the VIC use a bit position for each different interrupt source. The bit position is fixed but the handling of each interrupt is configurable by software. Software can control each request line to generate software interrupts.

The VIC provides processing of three levels of interrupts:

- Fast Interrupt Requests (FIQ) for fast, low latency interrupt handling
- Vectored Interrupt Requests (IRQ) for prioritized general interrupts
- Non-vectored Interrupt Requests (IRQ) for non-prioritized general interrupts.

The Interrupt Service Routine (ISR) addresses for vectored and non-vectored IRQ interrupts are programmed into the VIC by software. Non-vectored interrupts are routed to a single ISR; vectored interrupts have a separate ISR for each one.

The VIC priority hardware controls the order in which interrupts are processed. Unless an ISR explicitly enables IRQ exceptions, only an FIQ can interrupt an in-process ISR. However, if the ISR enables IRQ exceptions, only higher priority interrupts interrupt an ISR. Once an ISR completes, the VIC priority hardware determines the next-highest priority pending interrupt and directs the CPU to its ISR address.

9.1.1 Interrupt Priority

Interrupts mapped as FIQ all have equal priority regardless of which VIC originated the FIQ. All VIC1 IRQ interrupts are higher priority than any VIC2 IRQ interrupts. Table 9-1 lists the interrupt priority hierarchy in order.

The FIQ interrupt has the highest priority, followed by interrupt vector 0 through interrupt vector 15. Non-vectored IRQ interrupts have the lowest priority. Any of the non-vectored interrupts can be programmed to be either an FIQ or an IRQ by programming the INTSEL register, and any 16 of the 32 interrupts per VIC can be programmed to be vectored or non-vectored. Interrupts are programmed to be vectored through the Vector Control registers.

The IRQ and FIQ request logic has an asynchronous path. This allows interrupts to be asserted when the clock is disabled.

Table 9-1. LH7A404 Interrupt Hierarchy, Ordered by Priority

VIC	INTERRUPT TYPE
VIC1/VIC2	FIQ Interrupt(s)
VIC1	Vectored IRQ Interrupts 0-15 (in that order)
VIC1	Non-vectored IRQ Interrupts
VIC2	Vectored IRQ Interrupts 0-15 (in that order)
VIC2	Non-vectored IRQ Interrupts

9.1.2 Interrupt Assignment

Hardware interrupts are permanently assigned to each VIC. In addition, several interrupt inputs are 'UNASSIGNED'. These may be used as software programmable interrupts. They are set by software programming a 1 to an UNASSIGNED bit in the Interrupt Status register. These are then processed as defined by software. The assignment of interrupts is shown in Table 9-2. Actual bit positions of the interrupts within the registers can be found in Table 9-5.

Table 9-2. VIC Interrupt Assignments

VIC ASSIGNMENT	INTERRUPT NUMBER	NAME	DESCRIPTION
VIC1	0x00	BROWN	Brownout Interrupt
VIC1	0x01	WDTIN	Watchdog Timer Interrupt
VIC1	0x02	COMMSRX	ARM Comm Rx for Debug
VIC1	0x03	COMMSTX	ARM Comm Tx for Debug
VIC1	0x04	T1UI	TC1 under flow Interrupt (Timer 1)
VIC1	0x05	T2UI	TC2 under flow Interrupt (Timer 2)
VIC1	0x06	CODECIN	CODEC sound interrupt/Advanced Audio Codec Interrupt
VIC1	0x07	DMAPIN0	DMA Memory to Peripheral Interrupt 0
VIC1	0x08	DMAPIN1	DMA Memory to Peripheral Interrupt 1
VIC1	0x09	DMAPIN2	DMA Memory to Peripheral Interrupt 2
VIC1	0x0A	DMAPIN3	DMA Memory to Peripheral Interrupt 3
VIC1	0x0B	DMAPIN4	DMA Memory to Peripheral Interrupt 4
VIC1	0x0C	DMAPIN5	DMA Memory to Peripheral Interrupt 5
VIC1	0x0D	DMAPIN6	DMA Memory to Peripheral Interrupt 6
VIC1	0x0E	DMAPIN7	DMA Memory to Peripheral Interrupt 7
VIC1	0x0F	DMAPIN8	DMA Memory to Peripheral Interrupt 8
VIC1	0x10	DMAPIN9	DMA Memory to Peripheral Interrupt 9
VIC1	0x11	DMAMIN0	DMA Memory to Memory Interrupt 0
VIC1	0x12	DMAMIN1	DMA Memory to Memory Interrupt 1
VIC1	0x13	GPIO0IN	GPIO Port F Interrupt 0
VIC1	0x14	GPIO1IN	GPIO Port F Interrupt 1
VIC1	0x15	GPIO2IN	GPIO Port F Interrupt 2
VIC1	0x16	GPIO3IN	GPIO Port F Interrupt 3
VIC1	0x17	UNASSIGNED	Available as a software Interrupt
VIC1	0x18	UNASSIGNED	Available as a software Interrupt
VIC1	0x19	UNASSIGNED	Available as a software Interrupt
VIC1	0x1A	UNASSIGNED	Available as a software Interrupt
VIC1	0x1B	UNASSIGNED	Available as a software Interrupt
VIC1	0x1C	UNASSIGNED	Available as a software Interrupt
VIC1	0x1D	UNASSIGNED	Available as a software Interrupt

Table 9-2. VIC Interrupt Assignments (Cont'd)

VIC ASSIGNMENT	INTERRUPT NUMBER	NAME	DESCRIPTION
VIC1	0x1E	UNASSIGNED	Available as a software Interrupt
VIC1	0x1F	UNASSIGNED	Available as a software Interrupt
VIC2	0x00	BLIN	Battery Low Interrupt
VIC2	0x01	BMIIN	BMI Interrupt (battery monitor interface)
VIC2	0x02	MCIN	Media Change Interrupt
VIC2	0x03	TIN	64 Hz tick Interrupt
VIC2	0x04	TTIN	TICK Timeout Interrupt
VIC2	0x05	RTCMI	RTC compare match Interrupt
VIC2	0x06	UART1IN	UART 1 Interrupt (including error)
VIC2	0x07	UART1ERR	UART 1 error Interrupt
VIC2	0x08	UART2IN	UART 2 Interrupt (including error)
VIC2	0x09	UART2ERR	UART 2 error Interrupt
VIC2	0x0A	UART3IN	UART 3 Interrupt (including error)
VIC2	0x0B	UART3ERR	UART 3 error Interrupt
VIC2	0x0C	SCIIN	SCI interrupt (smart card interface)
VIC2	0x0D	TSCIN	Touchscreen Controller Interrupt
VIC2	0x0E	KMIIN	KMI Interrupt (keyboard and mouse interface)
VIC2	0x0F	GPIO4IN	GPIO Port F Interrupt 4
VIC2	0x10	GPIO5IN	GPIO Port F Interrupt 5
VIC2	0x11	GPIO6IN	GPIO Port F Interrupt 6
VIC2	0x12	GPIO7IN	GPIO Port F Interrupt 7
VIC2	0x13	T3UI	TC3 Underflow Interrupt (Timer 3)
VIC2	0x14	LCDIN	LCD Interrupt
VIC2	0x15	SSPIN	Synchronous serial port Interrupt
VIC2	0x16	SDIN	SD Interrupt
VIC2	0x17	USBIN	USB Device Interrupt
VIC2	0x18	USHIN	USB Host Interrupt
VIC2	0x19	UNASSIGNED	Available as a software Interrupt
VIC2	0x1A	UNASSIGNED	Available as a software Interrupt
VIC2	0x1B	UNASSIGNED	Available as a software Interrupt
VIC2	0x1C	UNASSIGNED	Available as a software Interrupt
VIC2	0x1D	UNASSIGNED	Available as a software Interrupt
VIC2	0x1E	UNASSIGNED	Available as a software Interrupt
VIC2	0x1F	UNASSIGNED	Available as a software Interrupt

9.2 Register Reference

This section provides the VIC register memory mapping and bit fields. Unless specified, the registers are the same for both VIC1 and VIC2.

9.2.1 Memory Map

Except for the Test Input and Output registers, the two VIC blocks have identical register definitions. The offset from the respective base address is the same:

- VIC1 Base address: 8000.8000
- VIC2 Base Address: 8000.A000

It is possible to remap the VIC base address to 0xFFFFF000 using the ARM MMU giving an even better interrupt latency (one instruction to read VECTADDR instead of 3). See the 'ARM 1026EJ-S Technical Reference Manual for details on remapping the ARM MMU.

Table 9-3 shows the register memory map for the VICs. Each listing has two registers; one for VIC1 and one for VIC2. For example, the listing 'FIQSTATUS' actually defines two registers, FIQSTATUS1 and FIQSTATUS2. The default address offset for FIQSTATUS1 is 8000.8004 and the address offset for FIQSTATUS2 is 8000.A004.

Table 9-3. VIC Register Memory Map

ADDRESS OFFSET	NAME	DESCRIPTION
VIC base +0x000	IRQSTATUS	IRQ Status Register
VIC base +0x004	FIQSTATUS	FIQ Status Register
VIC base +0x008	RAWINTR	Raw Interrupt Status Register
VIC base +0x00C	INTSEL	Interrupt select Register
VIC base +0x010	INTEN	Interrupt enable Register
VIC base +0x014	INTENCLR	Interrupt enable Clear Register
VIC base +0x018	SOFTINT	Software Interrupt Register
VIC base +0x01C	SOFTINTCLR	Software Interrupt Clear Register
VIC base +0x020	///	Reserved Do not access
VIC base +0x030	VECTADDR	Vector Address Register
VIC base +0x034	NVADDR	Non-vectored Address Register
VIC base +0x100	VAD0	Vector Address 0 Register
VIC base +0x104	VAD1	Vector Address 1 Register
VIC base +0x108	VAD2	Vector Address 2 Register
VIC base +0x10C	VAD3	Vector Address 3 Register
VIC base +0x110	VAD4	Vector Address 4 Register
VIC base +0x114	VAD5	Vector Address 5 Register
VIC base +0x118	VAD6	Vector Address 6 Register
VIC base +0x11C	VAD7	Vector Address 7 Register
VIC base +0x120	VAD8	Vector Address 8 Register
VIC base +0x124	VAD9	Vector Address 9 Register
VIC base +0x128	VAD10	Vector Address 10 Register

Table 9-3. VIC Register Memory Map (Cont'd)

ADDRESS OFFSET	NAME	DESCRIPTION
VIC base +0x12C	VAD11	Vector Address 11 Register
VIC base +0x130	VAD12	Vector Address 12 Register
VIC base +0x134	VAD13	Vector Address 13 Register
VIC base +0x138	VAD14	Vector Address 14 Register
VIC base +0x13C	VAD15	Vector Address 15 Register
VIC base +0x200	VECTCNTL0	Vector Control 0 Register
VIC base +0x204	VECTCNTL1	Vector Control 1 Register
VIC base +0x208	VECTCNTL2	Vector Control 2 Register
VIC base +0x20C	VECTCNTL3	Vector Control Register
VIC base +0x210	VECTCNTL4	Vector Control 4 Register
VIC base +0x214	VECTCNTL5	Vector Control 5 Register
VIC base +0x218	VECTCNTL6	Vector Control 6 Register
VIC base +0x21C	VECTCNTL7	Vector Control 7 Register
VIC base +0x220	VECTCNTL8	Vector Control 8 Register
VIC base +0x224	VECTCNTL9	Vector Control 9 Register
VIC base +0x228	VECTCNTL10	Vector Control 10 Register
VIC base +0x22C	VECTCNTL11	Vector Control 11 Register
VIC base +0x230	VECTCNTL12	Vector Control 12 Register
VIC base +0x234	VECTCNTL13	Vector Control 13 Register
VIC base +0x238	VECTCNTL14	Vector Control 14 Register
VIC base +0x23C	VECTCNTL15	Vector Control 15 Register
VIC base +0x300	ITCR	Test Control Register
VIC base +0x304	ITIP1	Test Input Register 1
VIC base +0x308	ITIP2	Test Input Register 2
VIC base +0x30C	ITOP1	Test Output Register 1
VIC base +0x310	ITOP2	Test Output Register 2
VIC base +0xFE0 – 0xFFF	///	Reserved Do not access

9.2.2 Register Descriptions

This section describes the bit fields, reset values, and uses of the registers. For simplicity, all of the following register tables indicate the default base addresses.

9.2.2.1 IRQ Status Register (IRQSTATUS1 and IRQSTATUS2)

The IRQSTATUSx register provides the status of interrupts [31:0] after IRQ masking. This register is the result of a logical AND of the RAWINTRx register and the INTEN register. Upon Reset, all interrupts are disabled and must be enabled by software. The status is only valid for interrupts that have been configured as IRQ-type interrupts via the INTSEL register. Table 9-4 through Table 9-7 define the IRQSTATUS registers.

Table 9-4. IRQSTATUS1 Register

BIT	31	30	29	28	27	26	25	24	23	22	21	20	19	18	17	16	
FIELD	UNASSIGNED										GPIO3IN	GPIO2IN	GPIO1IN	GPIO0IN	DMAMIN1	DMAMIN0	DMAPIN9
RESET	0	0	0	0	0	0	0	0	0	0	0	0	0	0	0	0	
TYPE	RO	RO	RO	RO	RO	RO	RO	RO	RO	RO	RO	RO	RO	RO	RO	RO	
BIT	15	14	13	12	11	10	9	8	7	6	5	4	3	2	1	0	
FIELD	DMAPIN8	DMAPIN7	DMAPIN6	DMAPIN5	DMAPIN4	DMAPIN3	DMAPIN2	DMAPIN1	DMAPIN0	CODECIN	T2UI	T1UI	COMMSTX	COMMSRX	WDTIN	BROWN	
RESET	0	0	0	0	0	0	0	0	0	0	0	0	0	0	0	0	
TYPE	RO	RO	RO	RO	RO	RO	RO	RO	RO	RO	RO	RO	RO	RO	RO	RO	
ADDR	0x8000.8000 IRQSTATUS1																

Table 9-5. IRQSTATUS1 Fields

BIT	NAME	DESCRIPTION
31:23	UNASSIGNED	UNASSIGNED These interrupts are unassigned to hardware, but may be assigned to application-specific software interrupts. 1 = Interrupt active and enabled 0 = No interrupt pending
22	GPIO3IN	GPIO F3 INTERRUPT This bit reflects the status of an external interrupt on GPIO Port F3. Port F must be configured for interrupt usage; see the GPIO chapter for details. 1 = Interrupt active and enabled 0 = No interrupt pending
21	GPIO2IN	GPIO F2 INTERRUPT This bit reflects the status of an external interrupt on GPIO Port F2. Port F must be configured for interrupt usage; see the GPIO chapter for details. 1 = Interrupt active and enabled 0 = No interrupt pending

Table 9-5. IRQSTATUS1 Fields (Cont'd)

BIT	NAME	DESCRIPTION
20	GPIO1IN	GPIO F1 INTERRUPT This bit reflects the status of an external interrupt on GPIO Port F1. Port F must be configured for interrupt usage; see the GPIO chapter for details. 1 = Interrupt active and enabled 0 = No interrupt pending
19	GPIO0IN	GPIO F0 INTERRUPT This bit reflects the status of an external interrupt on GPIO Port F0. Port F must be configured for interrupt usage; see the GPIO chapter for details. 1 = Interrupt active and enabled 0 = No interrupt pending
18	DMAMIN1	DMA Memory-to-Memory Interrupt Channel 1 Refer to the DMA chapter for details. 1 = Interrupt active and enabled 0 = No interrupt pending
17	DMAMIN0	DMA Memory-to-Memory Interrupt Channel 0 Refer to the DMA chapter for details. 1 = Interrupt active and enabled 0 = No interrupt pending
16	DMA PIN9	DMA Memory-to-Peripheral Interrupt Channel 9 Refer to the DMA chapter for details. 1 = Interrupt active and enabled 0 = No interrupt pending
15	DMA PIN8	DMA Memory-to-Peripheral Interrupt Channel 8 Refer to the DMA chapter for details. 1 = Interrupt active and enabled 0 = No interrupt pending
14	DMA PIN7	DMA Memory-to-Peripheral Interrupt Channel 7 Refer to the DMA chapter for details. 1 = Interrupt active and enabled 0 = No interrupt pending
13	DMA PIN6	DMA Memory-to-Peripheral Interrupt Channel 6 Refer to the DMA chapter for details. 1 = Interrupt active and enabled 0 = No interrupt pending
12	DMA PIN5	DMA Memory-to-Peripheral Interrupt Channel 5 Refer to the DMA chapter for details. 1 = Interrupt active and enabled 0 = No interrupt pending
11	DMA PIN4	DMA Memory-to-Peripheral Interrupt Channel 4 Refer to the DMA chapter for details. 1 = Interrupt active and enabled 0 = No interrupt pending
10	DMA PIN3	DMA Memory-to-Peripheral Interrupt Channel 3 Refer to the DMA chapter for details. 1 = Interrupt active and enabled 0 = No interrupt pending
9	DMA PIN2	DMA Memory-to-Peripheral Interrupt Channel 2 Refer to the DMA chapter for details. 1 = Interrupt active and enabled 0 = No interrupt pending

Table 9-5. IRQSTATUS1 Fields (Cont'd)

BIT	NAME	DESCRIPTION
8	DMAPIN1	DMA Memory-to-Peripheral Interrupt Channel 1 Refer to the DMA chapter for details. 1 = Interrupt active and enabled 0 = No interrupt pending
7	DMAPIN0	DMA Memory-to-Peripheral Interrupt Channel 0 Refer to the DMA chapter for details. 1 = Interrupt active and enabled 0 = No interrupt pending
6	CODECIN	Codec Interrupt This interrupt is the logical OR of the AC97 and ACI interrupt request signals. The interrupt indicates the CODEC interface is enabled and the CODEC data FIFO has reached half full or empty (depending on the interface direction). It is cleared by writing to the EOI Register for the ACI or the GEOI Register for the AC97. Both the ACI and AC97 peripherals should not be enabled at the same time. See the appropriate chapter for more detail. 1 = Interrupt active and enabled 0 = No interrupt pending
5	T2UI	Timer 2 Underflow Interrupt This interrupt becomes active on the next falling edge of the Timer 2 clock after the Timer has underflowed (counted past zero). It is cleared by writing to the EOIx register (see the 'Timers' chapter). 1 = Interrupt active and enabled 0 = No interrupt pending
4	T1UI	Timer 1 Underflow Interrupt This interrupt becomes active on the next falling edge of the Timer 1 clock after the Timer has underflowed (counted past zero). It is cleared by writing to the EOIx register (see the 'Timers' chapter). 1 = Interrupt active and enabled 0 = No interrupt pending
3	COMMSTX	COMMS Transmit Interrupt This interrupt allows using a debugger connected through the JTAG pin to the COMMS channel on the ARM 922T. For details on using the COMMS channel, refer to the ARM 922T technical reference manual. 1 = COMMS transmit buffer is empty and this interrupt is enabled 0 = No interrupt pending
2	COMMSRX	COMMS Receive Interrupt This interrupt allows using a debugger connected through the JTAG pin to the COMMS channel on the ARM 922T. For details on using the COMMS channel, refer to the ARM 922T technical reference manual. 1 = COMMS receive buffer contains data and this interrupt is enabled 0 = No interrupt pending
1	WDTIN	Watchdog Timer Interrupt This interrupt is asserted if the timer in the watchdog counter block times out. 1 = Interrupt active and enabled 0 = No interrupt pending IMPORTANT: Failure to service this interrupt will cause a system reset.
0	BROWN	Brownout Interrupt The brownout detector is an asynchronous voltage comparator. Once the +3.3 VDC supply dips below a trip point this interrupt is set. 1 = Interrupt active and enabled 0 = No interrupt pending

Table 9-6. IRQSTATUS2 Register

BIT	31	30	29	28	27	26	25	24	23	22	21	20	19	18	17	16
FIELD	UNASSIGNED							USHIN	USBIN	SDIN	SSPIN	LCDIN	T3UI	GPIO7IN	GPIO6IN	GPIO5IN
RESET	0	0	0	0	0	0	0	0	0	0	0	0	0	0	0	0
TYPE	RO	RO	RO	RO	RO	RO	RO	RO	RO	RO	RO	RO	RO	RO	RO	RO
BIT	15	14	13	12	11	10	9	8	7	6	5	4	3	2	1	0
FIELD	GPIO4IN	KMIIN	TSCIN	SCIIN	UART3ERR	UART3IN	UART2ERR	UART2IN	UART1ERR	UART1IN	RTCMI	TTIN	TIN	MCIN	BMIIN	BLIN
RESET	0	0	0	0	0	0	0	0	0	0	0	0	0	0	0	0
TYPE	RO	RO	RO	RO	RO	RO	RO	RO	RO	RO	RO	RO	RO	RO	RO	RO
ADDR	0x8000.A000															

Table 9-7. IRQSTATUS2 Fields

BIT	NAME	DESCRIPTION
31:25	UNASSIGNED	UNASSIGNED These interrupts are unassigned to hardware, but may be assigned to application-specific software interrupts. 1 = Interrupt active and enabled 0 = No interrupt pending
24	USHIN	USB Host Interrupt Refer to the USB Host chapter for operation and interrupt generation. 1 = Interrupt active and enabled 0 = No interrupt pending
23	USBIN	USB Device Interrupt Refer to the USB Device chapter for operation and interrupt generation. 1 = Interrupt active and enabled 0 = No interrupt pending
22	SDIN	Secure Digital Card Interrupt Refer to the SD/MMC chapter for details. 1 = Interrupt active and enabled 0 = No interrupt pending
21	SSPIN	Synchronous Serial Port Interrupt Refer to the SSP chapter for details. 1 = Interrupt active and enabled 0 = No interrupt pending
20	LCDIN	LCD Interrupt Refer to the LCD Controller chapter for details. 1 = Interrupt active and enabled 0 = No interrupt pending
19	T3UI	Timer 3 Underflow Interrupt This interrupt becomes active on the next falling edge of the Timer 3 clock after the timer counter has underflowed (counted past zero). It is cleared by writing to the TC3EOI location. 1 = Interrupt active and enabled 0 = No interrupt pending

Table 9-7. IRQSTATUS2 Fields (Cont'd)

BIT	NAME	DESCRIPTION
18	GPIO7IN	GPIO Port F Interrupt 7 This bit reflects the status of an external interrupt on GPIO Port F7. Port F must be configured for interrupt usage. Refer to the GPIO chapter for details. 1 = Interrupt active and enabled 0 = No interrupt pending
17	GPIO6IN	GPIO Port F Interrupt 6 This bit reflects the status of an external interrupt on GPIO Port F6. Port F must be configured for interrupt usage. Refer to the GPIO chapter for details. 1 = Interrupt active and enabled 0 = No interrupt pending
16	GPIO5IN	GPIO Port F Interrupt 5 This bit reflects the status of an external interrupt on GPIO Port F5. Port F must be configured for interrupt usage. Refer to the GPIO chapter for details. 1 = Interrupt active and enabled 0 = No interrupt pending
15	GPIO4IN	GPIO Port F Interrupt 4 This bit reflects the status of an external interrupt on GPIO Port F4. Port F must be configured for interrupt usage. Refer to the GPIO chapter for details. 1 = Interrupt active and enabled 0 = No interrupt pending
14	KMIIN	Keyboard & Mouse Interface Interrupt KMIIN is asserted if either receive or transmit interrupts (KMIRXIN and KMITXIN) are active and unmasked in the KMI. Refer to Chapter 28 for more details. 1 = Interrupt active and enabled 0 = No interrupt pending
13	TSCIN	Touchscreen Controller Interrupt This is the general interrupt from the TSC. 1 = Interrupt active and enabled 0 = No interrupt pending
12	SCIIN	Smart Card Interface Interrupt Refer to the Smart Card Interface chapter for operational details. 1 = Interrupt active and enabled 0 = No interrupt pending
11	UART3ERR	UART 3 Error Interrupt This interrupt is set if there is an error (break, overrun, parity or framing) on the received data. This interrupt allows error-free data to be processed without checking the status on every byte. 1 = Interrupt active and enabled 0 = No interrupt pending
10	UART3IN	UART 3 Interrupt (including error) This interrupt is active if any UART3 interrupt (includingUARTEIN) is active. 1 = Interrupt active and enabled 0 = No interrupt pending
9	UART2ERR	UART 2 Error Interrupt This interrupt is set if there is an error (break, overrun, parity or framing) on the received data. Use of this interrupt allows error-free data to be processed without checking the status on every byte. 1 = Interrupt active and enabled 0 = No interrupt pending

Table 9-7. IRQSTATUS2 Fields (Cont'd)

BIT	NAME	DESCRIPTION
8	UART2IN	UART 2 Interrupt (including error) This interrupt is active if any UART2 interrupt (including UARTEIN) is active. 1 = Interrupt active and enabled 0 = No interrupt pending
7	UART1ERR	UART 1 Error Interrupt This interrupt is set if there is an error (break, overrun, parity or framing) on the received data. Use of this interrupt allows error-free data to be processed without checking the status on every byte. 1 = Interrupt active and enabled 0 = No interrupt pending
6	UART1IN	UART 1 Interrupt (including error) This interrupt is active if any UART1 interrupt (including UARTEIN) is active. See Chapter 16 for description of the interrupt sources within the UART. Interrupt service routines must read the relevant status bits within the UART to determine the source of the interrupt. All sources are individually maskable within the UART. 1 = Interrupt active and enabled 0 = No interrupt pending
5	RTCMI	Real Time Clock Compare Match Interrupt This interrupt becomes active on the next rising edge of the 1 Hz real time clock after the 32-bit time written to the real time clock match register exactly matches the current time in the RTC. It is cleared by writing to the REOI location. Refer to Chapter 14 for more details. 1 = Interrupt active and enabled 0 = No interrupt pending
4	TTIN	TICK Timeout Interrupt Refer to Chapter 7 for details of operation. 1 = Interrupt active and enabled 0 = No interrupt pending
3	TIN	64 Hz Tick Interrupt This interrupt becomes active on every rising edge of the internal 64 Hz clock signal. This 64 Hz clock is derived from the counter that divides the 32.768 kHz oscillator input down to 1 Hz for the real time clock. This interrupt is cleared by writing to the TEOI location. Refer to Chapter 14 for more details. 1 = Interrupt active and enabled 0 = No interrupt pending
2	MCIN	Media Change Interrupt This interrupt will be active after a rising edge on the MEDCHG input pin has been detected. This input is conditioned with a 16 kHz clock so an interrupt is only generated if it is active for longer than 62.5 ms. It is cleared by writing to the MCEOI location. 1 = Interrupt active and enabled 0 = No interrupt pending
1	BMIIN	Battery Monitor Interface Interrupt Refer to the BMI chapter for details. 1 = Interrupt active and enabled 0 = No interrupt pending
0	BLIN	Battery Low Interrupt This interrupt occurs if no external supply is present (NEXTPWR is HIGH) and the battery OK input pin [BATOK] is externally driven LOW. This interrupt is conditioned with a 16 kHz clock so it only generates an interrupt if it is active for longer than 62.5 ms. It is cleared by writing to the BLEOI location. 1 = Interrupt active and enabled 0 = No interrupt pending

9.2.2.2 FIQ Status Register (FIQSTATUS1 and FIQSTATUS2)

The FIQSTATUSx register provides the status of the interrupts after FIQ masking. For these bits to be valid, the interrupts must first be configured as FIQ interrupts using the INTSEL register. For bits configured as FIQ interrupts, this register is the result of a logical AND of the RAWINTRx register and the INTEN register. Table 9-8 through Table 9-11 define the FIQSTATUS registers.

Table 9-8. FIQSTATUS1 Register

BIT	31	30	29	28	27	26	25	24	23	22	21	20	19	18	17	16
FIELD	UNASSIGNED									GPIO3IN	GPIO2IN	GPIO1IN	GPIO0IN	DMAMIN1	DMAMIN0	DMAPIN9
RESET	0	0	0	0	0	0	0	0	0	0	0	0	0	0	0	0
TYPE	RO	RO	RO	RO	RO	RO	RO	RO	RO	RO	RO	RO	RO	RO	RO	RO
BIT	15	14	13	12	11	10	9	8	7	6	5	4	3	2	1	0
FIELD	DMAPIN8	DMAPIN7	DMAPIN6	DMAPIN5	DMAPIN4	DMAPIN3	DMAPIN2	DMAPIN1	DMAPIN0	CODECIN	T2UI	T1UI	COMMSTX	COMMSFX	WDTIN	BROWN
RESET	0	0	0	0	0	0	0	0	0	0	0	0	0	0	0	0
TYPE	RO	RO	RO	RO	RO	RO	RO	RO	RO	RO	RO	RO	RO	RO	RO	RO
ADDR	0x8000.8004															

Table 9-9. FIQSTATUS1 Fields

BIT	NAME	DESCRIPTION
31:23	UNASSIGNED	UNASSIGNED These interrupts are unassigned to hardware, but may be assigned to application-specific software interrupts. 1 = Interrupt active and enabled 0 = No interrupt pending
22	GPIO3IN	GPIO F3 INTERRUPT This bit reflects the status of an external interrupt on GPIO Port F3. Port F must be configured for interrupt usage; see the GPIO chapter for details. 1 = Interrupt active and enabled 0 = No interrupt pending
21	GPIO2IN	GPIO F2 INTERRUPT This bit reflects the status of an external interrupt on GPIO Port F2. Port F must be configured for interrupt usage; see the GPIO chapter for details. 1 = Interrupt active and enabled 0 = No interrupt pending
20	GPIO1IN	GPIO F1 INTERRUPT This bit reflects the status of an external interrupt on GPIO Port F1. Port F must be configured for interrupt usage; see the GPIO chapter for details. 1 = Interrupt active and enabled 0 = No interrupt pending
19	GPIO0IN	GPIO F0 INTERRUPT This bit reflects the status of an external interrupt on GPIO Port F0. Port F must be configured for interrupt usage; see the GPIO chapter for details. 1 = Interrupt active and enabled 0 = No interrupt pending

Table 9-9. FIQSTATUS1 Fields (Cont'd)

BIT	NAME	DESCRIPTION
18	DMAMIN1	DMA Memory-to-Memory Interrupt Channel 1 Refer to the DMA chapter for details. 1 = Interrupt active and enabled 0 = No interrupt pending
17	DMAMIN0	DMA Memory-to-Memory Interrupt Channel 0 Refer to the DMA chapter for details. 1 = Interrupt active and enabled 0 = No interrupt pending
16	DMA PIN9	DMA Memory-to-Peripheral Interrupt Channel 9 Refer to the DMA chapter for details. 1 = Interrupt active and enabled 0 = No interrupt pending
15	DMA PIN8	DMA Memory-to-Peripheral Interrupt Channel 8 Refer to the DMA chapter for details. 1 = Interrupt active and enabled 0 = No interrupt pending
14	DMA PIN7	DMA Memory-to-Peripheral Interrupt Channel 7 Refer to the DMA chapter for details. 1 = Interrupt active and enabled 0 = No interrupt pending
13	DMA PIN6	DMA Memory-to-Peripheral Interrupt Channel 6 Refer to the DMA chapter for details. 1 = Interrupt active and enabled 0 = No interrupt pending
12	DMA PIN5	DMA Memory-to-Peripheral Interrupt Channel 5 Refer to the DMA chapter for details. 1 = Interrupt active and enabled 0 = No interrupt pending
11	DMA PIN4	DMA Memory-to-Peripheral Interrupt Channel 4 Refer to the DMA chapter for details. 1 = Interrupt active and enabled 0 = No interrupt pending
10	DMA PIN3	DMA Memory-to-Peripheral Interrupt Channel 3 Refer to the DMA chapter for details. 1 = Interrupt active and enabled 0 = No interrupt pending
9	DMA PIN2	DMA Memory-to-Peripheral Interrupt Channel 2 Refer to the DMA chapter for details. 1 = Interrupt active and enabled 0 = No interrupt pending
8	DMA PIN1	DMA Memory-to-Peripheral Interrupt Channel 1 Refer to the DMA chapter for details. 1 = Interrupt active and enabled 0 = No interrupt pending
7	DMA PIN0	DMA Memory-to-Peripheral Interrupt Channel 0 Refer to the DMA chapter for details. 1 = Interrupt active and enabled 0 = No interrupt pending

Table 9-9. FIQSTATUS1 Fields (Cont'd)

BIT	NAME	DESCRIPTION
6	CODECIN	<p>Codec Interrupt This interrupt indicates the CODEC interface is enabled and the CODEC data FIFO has reached half full or empty (depending on the interface direction). It is cleared by writing to the EOI Register for the Audio Codec or the GEOI Register for the AC97.</p> <p>1 = Interrupt active and enabled 0 = No interrupt pending</p>
5	T2UI	<p>Timer 2 Underflow Interrupt This interrupt becomes active on the next falling edge of the Timer 2 clock after the Timer has underflowed (counted past zero). It is cleared by writing to the EOIx register.</p> <p>1 = Interrupt active and enabled 0 = No interrupt pending</p>
4	T1UI	<p>Timer 1 Underflow Interrupt This interrupt becomes active on the next falling edge of the Timer 1 clock after the Timer has underflowed (counted past zero). It is cleared by writing to the EOIx register.</p> <p>1 = Interrupt active and enabled 0 = No interrupt pending</p>
3	COMMSTX	<p>COMMS Transmit Interrupt This interrupt allows using a debugger connected through the JTAG pin to the COMMS channel on the ARM 922T. For details on using the COMMS channel, refer to the ARM 922T technical reference manual.</p> <p>1 = COMMS transmit buffer is empty and this interrupt is enabled 0 = No interrupt pending</p>
2	COMMSRX	<p>COMMS Receive Interrupt This interrupt allows using a debugger connected through the JTAG pin to the COMMS channel on the ARM 922T. For details on using the COMMS channel, refer to the ARM 922T technical reference manual.</p> <p>1 = COMMS receive buffer contains data and this interrupt is enabled 0 = No interrupt pending</p>
1	WDTIN	<p>Watchdog Timer Interrupt This interrupt is asserted if the timer in the watchdog counter block times out.</p> <p>1 = Interrupt active and enabled 0 = No interrupt pending</p> <p>IMPORTANT: Failure to service this interrupt will cause a system reset.</p>
0	BROWN	<p>Brownout Interrupt The brownout detector is an asynchronous voltage comparator. Once the +3.3 VDC supply dips below a trip point this interrupt is set.</p> <p>1 = Interrupt active and enabled 0 = No interrupt pending</p>

Table 9-10. FIQSTATUS2 Register

BIT	31	30	29	28	27	26	25	24	23	22	21	20	19	18	17	16
FIELD	UNASSIGNED							USHIN	USBIN	SDIN	SSPIN	LCDIN	T3UI	GPIO7IN	GPIO6IN	GPIO5IN
RESET	0	0	0	0	0	0	0	0	0	0	0	0	0	0	0	0
TYPE	RO	RO	RO	RO	RO	RO	RO	RO	RO	RO	RO	RO	RO	RO	RO	RO
BIT	15	14	13	12	11	10	9	8	7	6	5	4	3	2	1	0
FIELD	GPIO4IN	KMIIN	TSCIN	SCIIN	UART3ERR	UART3IN	UART2ERR	UART2IN	UART1ERR	UART1IN	RTCMI	TTIN	TIN	MCIN	BMIIN	BLIN
RESET	0	0	0	0	0	0	0	0	0	0	0	0	0	0	0	0
TYPE	RO	RO	RO	RO	RO	RO	RO	RO	RO	RO	RO	RO	RO	RO	RO	RO
ADDR	0x8000.A004															

Table 9-11. FIQSTATUS2 Fields

BIT	NAME	DESCRIPTION
31:25	UNASSIGNED	UNASSIGNED These interrupts are unassigned to hardware, but may be assigned to application-specific software interrupts. 1 = Interrupt active and enabled 0 = No interrupt pending
24	USHIN	USB Host Interrupt Refer to Chapter 20 for USB Host operation and interrupt generation. 1 = Interrupt active and enabled 0 = No interrupt pending
23	USBIN	USB Device Interrupt Refer to Chapter 19 for USB Device operation and interrupt generation. 1 = Interrupt active and enabled 0 = No interrupt pending
22	SDIN	Secure Digital Card Interrupt Refer to Chapter 18 for details of operation. 1 = Interrupt active and enabled 0 = No interrupt pending
21	SSPIN	Synchronous Serial Port Interrupt Refer to Chapter 15 for details of operation. 1 = Interrupt active and enabled 0 = No interrupt pending
20	LCDIN	LCD Interrupt Refer to Chapter 11 for details of operation. 1 = Interrupt active and enabled 0 = No interrupt pending
19	T3UI	Timer 3 Underflow Interrupt This interrupt becomes active on the next falling edge of the Timer 3 clock after the timer counter has underflowed (counted past zero). It is cleared by writing to the T3EOI location. Refer to Chapter 12 for details. 1 = Interrupt active and enabled 0 = No interrupt pending

Table 9-11. FIQSTATUS2 Fields (Cont'd)

BIT	NAME	DESCRIPTION
18	GPIO7IN	GPIO Port F Interrupt 7 This bit reflects the status of an external interrupt on GPIO Port F7. Port F must be configured for interrupt usage. Refer to Chapter 17 for details. 1 = Interrupt active and enabled 0 = No interrupt pending
17	GPIO6IN	GPIO Port F Interrupt 6 This bit reflects the status of an external interrupt on GPIO Port F6. Port F must be configured for interrupt usage. Refer to Chapter 17 for details. 1 = Interrupt active and enabled 0 = No interrupt pending
16	GPIO5IN	GPIO Port F Interrupt 5 This bit reflects the status of an external interrupt on GPIO Port F5. Port F must be configured for interrupt usage. Refer to Chapter 17 for details. 1 = Interrupt active and enabled 0 = No interrupt pending
15	GPIO4IN	GPIO Port F Interrupt 4 This bit reflects the status of an external interrupt on GPIO Port F4. Port F must be configured for interrupt usage. Refer to Chapter 17 for details. 1 = Interrupt active and enabled 0 = No interrupt pending
14	KMIIN	Keyboard & Mouse Interface Interrupt KMIIN is asserted if either receive or transmit interrupts (KMIRXIN and KMITXIN) are active and unmasked in the KMI. Refer to Chapter 28 for more details. 1 = Interrupt active and enabled 0 = No interrupt pending
13	TSCIN	Touchscreen Controller Interrupt This is the general interrupt from the TSC. Refer to Chapter 27 for more details. 1 = Interrupt active and enabled 0 = No interrupt pending
12	SCIIN	Smart Card Interface Interrupt Refer to Chapter 26 for details of operation. 1 = Interrupt active and enabled 0 = No interrupt pending
11	UART3ERR	UART 3 Error Interrupt This interrupt is set if there is an error (break, overrun, parity or framing) on the received data. This interrupt allows error-free data to be processed without checking the status on every byte. 1 = Interrupt active and enabled 0 = No interrupt pending
10	UART3IN	UART 3 Interrupt (including error) This interrupt is active if any UART3 interrupt (including UARTEIN) is active. 1 = Interrupt active and enabled 0 = No interrupt pending
9	UART2ERR	UART 2 Error Interrupt This interrupt is set if there is an error (break, overrun, parity or framing) on the received data. Use of this interrupt allows error-free data to be processed without checking the status on every byte. 1 = Interrupt active and enabled 0 = No interrupt pending

Table 9-11. FIQSTATUS2 Fields (Cont'd)

BIT	NAME	DESCRIPTION
8	UART2IN	UART 2 Interrupt (including error) This interrupt is active if any UART2 interrupt (including UARTEIN) is active. 1 = Interrupt active and enabled 0 = No interrupt pending
7	UART1ERR	UART 1 Error Interrupt This interrupt is set if there is an error (break, overrun, parity or framing) on the received data. Use of this interrupt allows error-free data to be processed without checking the status on every byte. 1 = Interrupt active and enabled 0 = No interrupt pending
6	UART1IN	UART 1 Interrupt (including error) This interrupt is active if any UART1 interrupt (including UARTEIN) is active. See the UART documentation for description of the interrupt sources within the UART. Interrupt service routines must read the relevant status bits within the UART to determine the source of the interrupt. All sources are individually maskable within the UART. 1 = Interrupt active and enabled 0 = No interrupt pending
5	RTCMI	Real Time Clock Compare Match Interrupt This interrupt becomes active on the next rising edge of the 1 Hz real time clock after the 32-bit time written to the real time clock match register exactly matches the current time in the RTC. It is cleared by writing to the REOI location. Refer to Chapter 14 for more details. 1 = Interrupt active and enabled 0 = No interrupt pending
4	TTIN	TICK Timeout Interrupt Refer to Chapter 7 for details of operation. 1 = Interrupt active and enabled 0 = No interrupt pending
3	TIN	64 Hz Tick Interrupt This interrupt becomes active on every rising edge of the internal 64 Hz clock signal. This 64 Hz clock is derived from the counter that divides the 32.768 kHz oscillator input down to 1 Hz for the real time clock. This interrupt is cleared by writing to the TEOI location. Refer to Chapter 14 for more details. 1 = Interrupt active and enabled 0 = No interrupt pending
2	MCIN	Media Change Interrupt This interrupt will be active after a rising edge on the MEDCHG input pin has been detected. This input is conditioned with a 16 kHz clock so an interrupt is only generated if it is active for longer than 62.5 ms. It is cleared by writing to the MCEOI location. 1 = Interrupt active and enabled 0 = No interrupt pending
1	BMIIN	Battery Monitor Interface Interrupt Refer to Chapter 23 for details of operation. 1 = Interrupt active and enabled 0 = No interrupt pending
0	BLIN	Battery Low Interrupt This interrupt occurs if no external supply is present (NEXTPWR is HIGH) and the battery OK input pin [BATOK] is externally driven LOW. This interrupt is conditioned with a 16 kHz clock so it only generates an interrupt if it is active for longer than 62.5 ms. It is cleared by writing to the BLEOI location. Refer to Chapter 23 for more details. 1 = Interrupt active and enabled 0 = No interrupt pending

9.2.2.3 Raw Interrupt Status Register (RAWINTR1 and RAWINTR2)

The RAWINTRx registers provides the status of all interrupts to the VIC. RAWINTR1 provides VIC1 status and RAWINTR2 provides VIC2 status. Table 9-12, through Table 9-15 define the RAWINTR registers.

Table 9-12. RAWINTR1 Register

BIT	31	30	29	28	27	26	25	24	23	22	21	20	19	18	17	16	
FIELD	UNASSIGNED										GPIO3IN	GPIO2IN	GPIO1IN	GPIO0IN	DMAMIN1	DMAMIN0	DMAPI9
RESET	0	0	0	0	0	0	0	0	0	0	0	0	0	0	0	0	
TYPE	RO	RO	RO	RO	RO	RO	RO	RO	RO	RO	RO	RO	RO	RO	RO	RO	
BIT	15	14	13	12	11	10	9	8	7	6	5	4	3	2	1	0	
FIELD	DMAPI8	DMAPI7	DMAPI6	DMAPI5	DMAPI4	DMAPI3	DMAPI2	DMAPI1	DMAPI0	CODECIN	T2UI	T1UI	COMMSTX	COMMSRX	WDTIN	BROWN	
RESET	0	0	0	0	0	0	0	0	0	0	0	0	0	0	0	0	
TYPE	RO	RO	RO	RO	RO	RO	RO	RO	RO	RO	RO	RO	RO	RO	RO	RO	
ADDR	0x8000.8008																

Table 9-13. RAWINTR1 Fields

BIT	NAME	DESCRIPTION
31:23	UNASSIGNED	UNASSIGNED These interrupts are unassigned to hardware, but may be assigned to application-specific software interrupts. 1 = Interrupt active 0 = No interrupt pending
22	GPIO3IN	GPIO F3 INTERRUPT This bit reflects the status of an external interrupt on GPIO Port F3. Port F must be configured for interrupt usage; see Chapter 17 for details. 1 = Interrupt active 0 = No interrupt pending
21	GPIO2IN	GPIO F2 INTERRUPT This bit reflects the status of an external interrupt on GPIO Port F2. Port F must be configured for interrupt usage; see Chapter 17 for details. 1 = Interrupt active 0 = No interrupt pending
20	GPIO1IN	GPIO F1 INTERRUPT This bit reflects the status of an external interrupt on GPIO Port F1. Port F must be configured for interrupt usage; see Chapter 17 for details. 1 = Interrupt active 0 = No interrupt pending
19	GPIO0IN	GPIO F0 INTERRUPT This bit reflects the status of an external interrupt on GPIO Port F0. Port F must be configured for interrupt usage; see Chapter 17 for details. 1 = Interrupt active 0 = No interrupt pending
18	DMAMIN1	DMA Memory-to-Memory Interrupt Channel 1 Refer to Chapter 10 for details. 1 = Interrupt active 0 = No interrupt pending

Table 9-13. RAWINTR1 Fields (Cont'd)

BIT	NAME	DESCRIPTION
17	DMAMIN0	DMA Memory-to-Memory Interrupt Channel 0 Refer to Chapter 10 for details. 1 = Interrupt active 0 = No interrupt pending
16	DMA PIN9	DMA Memory-to-Peripheral Interrupt Channel 9 Refer to Chapter 10 for details. 1 = Interrupt active 0 = No interrupt pending
15	DMA PIN8	DMA Memory-to-Peripheral Interrupt Channel 8 Refer to Chapter 10 for details. 1 = Interrupt active 0 = No interrupt pending
14	DMA PIN7	DMA Memory-to-Peripheral Interrupt Channel 7 Refer to Chapter 10 for details. 1 = Interrupt active 0 = No interrupt pending
13	DMA PIN6	DMA Memory-to-Peripheral Interrupt Channel 6 Refer to Chapter 10 for details. 1 = Interrupt active 0 = No interrupt pending
12	DMA PIN5	DMA Memory-to-Peripheral Interrupt Channel 5 Refer to Chapter 10 for details. 1 = Interrupt active 0 = No interrupt pending
11	DMA PIN4	DMA Memory-to-Peripheral Interrupt Channel 4 Refer to Chapter 10 for details. 1 = Interrupt active 0 = No interrupt pending
10	DMA PIN3	DMA Memory-to-Peripheral Interrupt Channel 3 Refer to Chapter 10 for details. 1 = Interrupt active 0 = No interrupt pending
9	DMA PIN2	DMA Memory-to-Peripheral Interrupt Channel 2 Refer to Chapter 10 for details. 1 = Interrupt active 0 = No interrupt pending
8	DMA PIN1	DMA Memory-to-Peripheral Interrupt Channel 1 Refer to Chapter 10 for details. 1 = Interrupt active 0 = No interrupt pending
7	DMA PIN0	DMA Memory-to-Peripheral Interrupt Channel 0 Refer to Chapter 10 for details. 1 = Interrupt active 0 = No interrupt pending
6	CODECIN	Codec Interrupt This interrupt indicates the CODEC interface is enabled and the CODEC data FIFO has reached half full or empty (depending on the interface direction). It is cleared by writing to the EOI Register for the Audio Codec or the GEOI Register for the AC97. 1 = Interrupt active 0 = No interrupt pending
5	T2UI	Timer 2 Underflow Interrupt This interrupt becomes active on the next falling edge of the Timer 2 clock after the Timer has underflowed (counted past zero). It is cleared by writing to the EOIX register (see Chapter 12). 1 = Interrupt active 0 = No interrupt pending

Table 9-13. RAWINTR1 Fields (Cont'd)

BIT	NAME	DESCRIPTION
4	T1UI	Timer 1 Underflow Interrupt This interrupt becomes active on the next falling edge of the Timer 1 clock after the Timer has underflowed (counted past zero). It is cleared by writing to the EOIX register (see Chapter 12). 1 = Interrupt active 0 = No interrupt pending
3	COMMSTX	COMMS Transmit Interrupt This interrupt allows using a debugger connected through the JTAG pin to the COMMS channel on the ARM 922T. For details on using the COMMS channel, refer to the ARM 922T technical reference manual. 1 = COMMS transmit buffer is empty 0 = No interrupt pending
2	COMMSRX	COMMS Receive Interrupt This interrupt allows using a debugger connected through the JTAG pin to the COMMS channel on the ARM 922T. For details on using the COMMS channel, refer to the ARM 922T technical reference manual. 1 = COMMS receive buffer contains data 0 = No interrupt pending
1	WDTIN	Watchdog Timer Interrupt This interrupt is asserted if the timer in the watchdog counter block times out. 1 = Interrupt active 0 = No interrupt pending IMPORTANT: Failure to service this interrupt will cause a system level reset
0	BROWN	Brownout Interrupt The brownout detector is an asynchronous voltage comparator. Once the +3.3 VDC supply dips below a trip point this interrupt is set. 1 = Interrupt active 0 = No interrupt pending

Table 9-14. RAWINTR2 Register

BIT	31	30	29	28	27	26	25	24	23	22	21	20	19	18	17	16
FIELD	UNASSIGNED							USHIN	USBIN	SDIN	SSPIN	LCDIN	T3UI	GPIO7IN	GPIO6IN	GPIO5IN
RESET	0	0	0	0	0	0	0	0	0	0	0	0	0	0	0	0
TYPE	RO	RO	RO	RO	RO	RO	RO	RO	RO	RO	RO	RO	RO	RO	RO	RO
BIT	15	14	13	12	11	10	9	8	7	6	5	4	3	2	1	0
FIELD	GPIO4IN	KMIIN	TSCIN	SCIIN	UART3ERR	UART3IN	UART2ERR	UART2IN	UART1ERR	UART1IN	RTCMI	TTIN	TIN	MCIN	BMIIN	BLIN
RESET	0	0	0	0	0	0	0	0	0	0	0	0	0	0	0	0
TYPE	RO	RO	RO	RO	RO	RO	RO	RO	RO	RO	RO	RO	RO	RO	RO	RO
ADDR	0x8000.A008															

Table 9-15. RAWINTR2 Fields

BIT	NAME	DESCRIPTION
31:25	UNASSIGNED	UNASSIGNED These interrupts are unassigned to hardware, but may be assigned to application-specific software interrupts. 1 = Interrupt active 0 = No interrupt pending
24	USHIN	USB Host Interrupt Refer to Chapter 20 for USB Host operation and interrupt generation. 1 = Interrupt active 0 = No interrupt pending
23	USBIN	USB Device Interrupt Refer to Chapter 19 for USB Device operation and interrupt generation. 1 = Interrupt active 0 = No interrupt pending
22	SDIN	Secure Digital Card Interrupt Refer to Chapter 18 for details of operation. 1 = Interrupt active 0 = No interrupt pending
21	SSPIN	Synchronous Serial Port Interrupt Refer to Chapter 15 for details of operation. 1 = Interrupt active 0 = No interrupt pending
20	LCDIN	LCD Interrupt Refer to Chapter 11 for details of operation. 1 = Interrupt active 0 = No interrupt pending
19	T3UI	Timer 3 Underflow Interrupt This interrupt becomes active on the next falling edge of the Timer 3 clock after the timer counter has underflowed (counted past zero). It is cleared by writing to the TC3EOI location. Refer to Chapter 12 for details. 1 = Interrupt active 0 = No interrupt pending
18	GPIO7IN	GPIO Port F Interrupt 7 This bit reflects the status of an external interrupt on GPIO Port F7. Port F must be configured for interrupt usage. Refer to Chapter 17 for details. 1 = Interrupt active 0 = No interrupt pending
17	GPIO6IN	GPIO Port F Interrupt 6 This bit reflects the status of an external interrupt on GPIO Port F6. Port F must be configured for interrupt usage. Refer to Chapter 17 for details. 1 = Interrupt active 0 = No interrupt pending
16	GPIO5IN	GPIO Port F Interrupt 5 This bit reflects the status of an external interrupt on GPIO Port F5. Port F must be configured for interrupt usage. Refer to Chapter 17 for details. 1 = Interrupt active 0 = No interrupt pending
15	GPIO4IN	GPIO Port F Interrupt 4 This bit reflects the status of an external interrupt on GPIO Port F4. Port F must be configured for interrupt usage. Refer to Chapter 17 for details. 1 = Interrupt active 0 = No interrupt pending

Table 9-15. RAWINTR2 Fields (Cont'd)

BIT	NAME	DESCRIPTION
14	KMIIN	Keyboard & Mouse Interface Interrupt KMIIN is asserted if either receive or transmit interrupts (KMIRXIN and KMITXIN) are active and unmasked in the KMI. Refer to Chapter 28 for more details. 1 = Interrupt active 0 = No interrupt pending
13	TSCIN	Touchscreen Controller Interrupt This is the general interrupt from the TSC. Refer to Chapter 27 for more details. 1 = Interrupt active 0 = No interrupt pending
12	SCIIN	Smart Card Interface Interrupt Refer to Chapter 26 for details of operation. 1 = Interrupt active 0 = No interrupt pending
11	UART3ERR	UART 3 Error Interrupt This interrupt is set if there is an error (break, overrun, parity or framing) on the received data. This interrupt allows error-free data to be processed without checking the status on every byte. 1 = Interrupt active 0 = No interrupt pending
10	UART3IN	UART 3 Interrupt (including error) This interrupt is active if any UART3 interrupt (including UARTEIN) is active. 1 = Interrupt active 0 = No interrupt pending
9	UART2ERR	UART 2 Error Interrupt This interrupt is set if there is an error (break, overrun, parity or framing) on the received data. Use of this interrupt allows error-free data to be processed without checking the status on every byte. 1 = Interrupt active 0 = No interrupt pending
8	UART2IN	UART 2 Interrupt (including error) This interrupt is active if any UART2 interrupt (including UARTEIN) is active. 1 = Interrupt active 0 = No interrupt pending
7	UART1ERR	UART 1 Error Interrupt This interrupt is set if there is an error (break, overrun, parity or framing) on the received data. Use of this interrupt allows error-free data to be processed without checking the status on every byte. 1 = Interrupt active 0 = No interrupt pending
6	UART1IN	UART 1 Interrupt (including error) This interrupt is active if any UART1 interrupt (including UARTEIN) is active. See the UART documentation for description of the interrupt sources within the UART. Interrupt service routines must read the relevant status bits within the UART to determine the source of the interrupt. All sources are individually maskable within the UART. 1 = Interrupt active 0 = No interrupt pending
5	RTCMI	Real Time Clock Compare Match Interrupt This interrupt becomes active on the next rising edge of the 1 Hz real time clock after the 32-bit time written to the real time clock match register exactly matches the current time in the RTC. It is cleared by writing to the REOI location. Refer to Chapter 14 for more details. 1 = Interrupt active 0 = No interrupt pending

Table 9-15. RAWINTR2 Fields (Cont'd)

BIT	NAME	DESCRIPTION
4	TTIN	TICK Timeout Interrupt Refer to Chapter 7 for details of operation. 1 = Interrupt active 0 = No interrupt pending
3	TIN	64 Hz Tick Interrupt This interrupt becomes active on every rising edge of the internal 64 Hz clock signal. This 64 Hz clock is derived from the counter that divides the 32.768 kHz oscillator input down to 1 Hz for the real time clock. This interrupt is cleared by writing to the TEOI location. Refer to Chapter 14 for more details. 1 = Interrupt active 0 = No interrupt pending
2	MCIN	Media Change Interrupt This interrupt will be active after a rising edge on the MEDCHG input pin has been detected. This input is conditioned with a 16 kHz clock so an interrupt is only generated if it is active for longer than 62.5 ms. It is cleared by writing to the MCEOI location. 1 = Interrupt active 0 = No interrupt pending
1	BMIIN	Battery Monitor Interface Interrupt Refer to Chapter 23 for details of operation. 1 = Interrupt active 0 = No interrupt pending
0	BLIN	Battery Low Interrupt This interrupt occurs if no external supply is present (NEXTPWR is HIGH) and the battery OK input pin [BATOK] is externally driven LOW. This interrupt is conditioned with a 16 kHz clock so it only generates an interrupt if it is active for longer than 62.5 ms. It is cleared by writing to the BLEOI location. Refer to Chapter 23 for more details. 1 = Interrupt active 0 = No interrupt pending

9.2.2.4 Interrupt Select Register (INTSEL1 and INTSEL2)

The INTSELx register selects whether the corresponding interrupt source generates an FIQ or IRQ interrupt. Table 9-16 through Table 9-18 define the INTSEL registers.

Table 9-16. INTSEL1 Register

BIT	31	30	29	28	27	26	25	24	23	22	21	20	19	18	17	16	
FIELD	UNASSIGNED										GPIO3IN	GPIO2IN	GPIO1IN	GPIO0IN	DMAMIN1	DMAMIN0	DMAPI9
RESET	0	0	0	0	0	0	0	0	0	0	0	0	0	0	0	0	
TYPE	RW	RW	RW	RW	RW	RW	RW	RW	RW	RW	RW	RW	RW	RW	RW	RW	
BIT	15	14	13	12	11	10	9	8	7	6	5	4	3	2	1	0	
FIELD	DMAPI8	DMAPI7	DMAPI6	DMAPI5	DMAPI4	DMAPI3	DMAPI2	DMAPI1	DMAPI0	CODECIN	T2UI	T1UI	COMMSTX	COMMSFX	WDTIN	BROWN	
RESET	0	0	0	0	0	0	0	0	0	0	0	0	0	0	0	0	
TYPE	RW	RW	RW	RW	RW	RW	RW	RW	RW	RW	RW	RW	RW	RW	RW	RW	
ADDR	0x8000.800C																

Table 9-17. INTSEL2 Register

BIT	31	30	29	28	27	26	25	24	23	22	21	20	19	18	17	16	
FIELD	UNASSIGNED								USHIN	USBIN	SDIN	SSPIN	LCDIN	T3UI	GPIO7IN	GPIO6IN	GPIO5IN
RESET	0	0	0	0	0	0	0	0	0	0	0	0	0	0	0	0	
TYPE	RW	RW	RW	RW	RW	RW	RW	RW	RW	RW	RW	RW	RW	RW	RW	RW	
BIT	15	14	13	12	11	10	9	8	7	6	5	4	3	2	1	0	
FIELD	GPIO4IN	KMIIN	TSCIN	SCIIN	UART3ERR	UART3IN	UART2ERR	UART2IN	UART1ERR	UART1IN	RTCMI	TTIN	TIN	MCIN	BMIIN	BLIN	
RESET	0	0	0	0	0	0	0	0	0	0	0	0	0	0	0	0	
TYPE	RW	RW	RW	RW	RW	RW	RW	RW	RW	RW	RW	RW	RW	RW	RW	RW	
ADDR	0x8000.A00C																

Table 9-18. INTSEL1 and INTSEL2 Fields

BIT	NAME	DESCRIPTION
31:0	*	Selects type of interrupt for each interrupt request: 1 = FIQ interrupt 0 = IRQ interrupt

NOTE: * See Table 9-16 and Table 9-17.

9.2.2.5 Interrupt Enable Register (INTEN1 and INTEN2)

The INTENx register enables interrupts to be forwarded to the core for processing. The INTEN registers are logically ANDed with the RAWINTR registers. Upon power up and Reset, all interrupts are disabled (all bits 0). Table 9-19 through Table 9-21 define the INTEN registers.

IMPORTANT: Interrupts can only be *enabled* by writing a 1 to the corresponding bit; a 0 cannot be written. To *disable* an interrupt, use the INTENCLR register.

Table 9-19. INTEN1 Register

BIT	31	30	29	28	27	26	25	24	23	22	21	20	19	18	17	16	
FIELD	UNASSIGNED										GPIO3IN	GPIO2IN	GPIO1IN	GPIO0IN	DMAMIN1	DMAMIN0	DMAPI9
RESET	0	0	0	0	0	0	0	0	0	0	0	0	0	0	0	0	
TYPE	RW	RW	RW	RW	RW	RW	RW	RW	RW	RW	RW	RW	RW	RW	RW	RW	
BIT	15	14	13	12	11	10	9	8	7	6	5	4	3	2	1	0	
FIELD	DMAPI8	DMAPI7	DMAPI6	DMAPI5	DMAPI4	DMAPI3	DMAPI2	DMAPI1	DMAPI0	CODECIN	T2UI	T1UI	COMMSTX	COMMSRX	WDTIN	BROWN	
RESET	0	0	0	0	0	0	0	0	0	0	0	0	0	0	0	0	
TYPE	RW	RW	RW	RW	RW	RW	RW	RW	RW	RW	RW	RW	RW	RW	RW	RW	
ADDR	0x8000.8010																

Table 9-20. INTEN2 Register

BIT	31	30	29	28	27	26	25	24	23	22	21	20	19	18	17	16	
FIELD	UNASSIGNED								USHIN	USBIN	SDIN	SSPIN	LCDIN	T3UI	GPIO7IN	GPIO6IN	GPIO5IN
RESET	0	0	0	0	0	0	0	0	0	0	0	0	0	0	0	0	
TYPE	RW	RW	RW	RW	RW	RW	RW	RW	RW	RW	RW	RW	RW	RW	RW	RW	
BIT	15	14	13	12	11	10	9	8	7	6	5	4	3	2	1	0	
FIELD	GPIO4IN	KMIIN	TSCIN	SCIIN	UART3ERR	UART3IN	UART2ERR	UART2IN	UART1ERR	UART1IN	RTCMI	TTIN	TIN	MCIN	BMIIN	BLIN	
RESET	0	0	0	0	0	0	0	0	0	0	0	0	0	0	0	0	
TYPE	RW	RW	RW	RW	RW	RW	RW	RW	RW	RW	RW	RW	RW	RW	RW	RW	
ADDR	0x8000.A010																

Table 9-21. INTEN1 and INTEN2 Fields

BIT	NAME	DESCRIPTION
31:0	*	Enables and disables interrupt requests. 1 = Interrupt enabled 0 = Interrupt disabled (read only)

NOTE: *See Table 9-19 and Table 9-20

9.2.2.6 Interrupt Enable Clear Register (INTENCLR1 and INTENCLR2)

The INTENCLR registers clear bits in the INTEN register and disables the interrupt corresponding to that bit. These are write-only registers. Table 9-22 through Table 9-24 define the INTENCLR registers.

IMPORTANT: Interrupts are *disabled* by writing a 1 to the corresponding bit in this register; a 0 cannot be written. To *enable* interrupts, use the INTEN register.

Table 9-22. INTENCLR1 Register

BIT	31	30	29	28	27	26	25	24	23	22	21	20	19	18	17	16	
FIELD	UNASSIGNED										GPIO3IN	GPIO2IN	GPIO1IN	GPIO0IN	DMAMIN1	DMAMIN0	DMAPIN9
RESET	—	—	—	—	—	—	—	—	—	—	—	—	—	—	—	—	
TYPE	WO	WO	WO	WO	WO	WO	WO	WO	WO	WO	WO	WO	WO	WO	WO	WO	
BIT	15	14	13	12	11	10	9	8	7	6	5	4	3	2	1	0	
FIELD	DMAPIN8	DMAPIN7	DMAPIN6	DMAPIN5	DMAPIN4	DMAPIN3	DMAPIN2	DMAPIN1	DMAPIN0	CODECIN	T2UI	T1UI	COMMSTX	COMMSRX	WDTIN	BROWN	
RESET	—	—	—	—	—	—	—	—	—	—	—	—	—	—	—	—	
TYPE	WO	WO	WO	WO	WO	WO	WO	WO	WO	WO	WO	WO	WO	WO	WO	WO	
ADDR	0x8000.8014																

Table 9-23. INTENCLR2 Register

BIT	31	30	29	28	27	26	25	24	23	22	21	20	19	18	17	16	
FIELD	UNASSIGNED								USHIN	USBIN	SDIN	SSPIN	LCDIN	T3UI	GPIO7IN	GPIO6IN	GPIO5IN
RESET	—	—	—	—	—	—	—	—	—	—	—	—	—	—	—	—	
TYPE	WO	WO	WO	WO	WO	WO	WO	WO	WO	WO	WO	WO	WO	WO	WO	WO	
BIT	15	14	13	12	11	10	9	8	7	6	5	4	3	2	1	0	
FIELD	GPIO4IN	KMIIN	TSCIN	SCIIN	UART3ERR	UART3IN	UART2ERR	UART2IN	UART1ERR	UART1IN	RTCMI	TTIN	TIN	MCIN	BMIIN	BLIN	
RESET	—	—	—	—	—	—	—	—	—	—	—	—	—	—	—	—	
TYPE	WO	WO	WO	WO	WO	WO	WO	WO	WO	WO	WO	WO	WO	WO	WO	WO	
ADDR	0x8000.A014																

Table 9-24. INTENCLR1 and INTENCLR2 Fields

BIT	NAME	DESCRIPTION
31:0	*	Clears corresponding bit to 0 in the INTEN register and disables that interrupt. 1 = Clears bit in INTEN register and disables the corresponding interrupt. 0 = Not valid

NOTE: *See Table 9-22 and Table 9-23.

9.2.2.7 Software Interrupt Register (SOFTINT1 and SOFTINT2)

The SOFTINTx register can be used by the application software to generate interrupts. Writing a 1 causes an interrupt to be generated, if enabled. A 0 cannot be written to this register; to clear an interrupt, use the SOFTINTCLR registers. Table 9-25 through Table 9-27 define the SOFTINT registers.

Note that any interrupt bit may be set by software through this register, including the interrupt bits that are not assigned to an internal or external hardware interrupt (UNASSIGNED). The application software can assign any meaning desired to those bits.

Table 9-25. SOFTINT1 Register

BIT	31	30	29	28	27	26	25	24	23	22	21	20	19	18	17	16
FIELD	UNASSIGNED									GPIO3IN	GPIO2IN	GPIO1IN	GPIO0IN	DMAMIN1	DMAMIN0	DMAPIN9
RESET	0	0	0	0	0	0	0	0	0	0	0	0	0	0	0	0
TYPE	RW	RW	RW	RW	RW	RW	RW	RW	RW	RW	RW	RW	RW	RW	RW	RW
BIT	15	14	13	12	11	10	9	8	7	6	5	4	3	2	1	0
FIELD	DMAPIN8	DMAPIN7	DMAPIN6	DMAPIN5	DMAPIN4	DMAPIN3	DMAPIN2	DMAPIN1	DMAPIN0	CODECIN	T2UI	T1UI	COMMSTX	COMMSFX	WDTIN	BROWN
RESET	0	0	0	0	0	0	0	0	0	0	0	0	0	0	0	0
TYPE	RW	RW	RW	RW	RW	RW	RW	RW	RW	RW	RW	RW	RW	RW	RW	RW
ADDR	0x8000.8018															

Table 9-26. SOFTINT2 Register

BIT	31	30	29	28	27	26	25	24	23	22	21	20	19	18	17	16	
FIELD	UNASSIGNED								USHIN	USBIN	SDIN	SSPIN	LCDIN	T3UI	GPIO7IN	GPIO6IN	GPIO5IN
RESET	0	0	0	0	0	0	0	0	0	0	0	0	0	0	0	0	
TYPE	RW	RW	RW	RW	RW	RW	RW	RW	RW	RW	RW	RW	RW	RW	RW	RW	
BIT	15	14	13	12	11	10	9	8	7	6	5	4	3	2	1	0	
FIELD	GPIO4IN	KMIIN	TSCIN	SCIIN	UART3ERR	UART3IN	UART2ERR	UART2IN	UART1ERR	UART1IN	RTCMI	TTIN	TIN	MCIN	BMIIN	BLIN	
RESET	0	0	0	0	0	0	0	0	0	0	0	0	0	0	0	0	
TYPE	RW	RW	RW	RW	RW	RW	RW	RW	RW	RW	RW	RW	RW	RW	RW	RW	
ADDR	0x8000.A018																

Table 9-27. SOFTINT1 and SOFTINT2 Fields

BIT	NAME	DESCRIPTION
31:0	*	Interrupts can be set by application software. 1 = Generate an interrupt for the source defined by the bit position. 0 = No software interrupt (read only)

NOTE: *See Table 9-25 and Table 9-26

9.2.2.8 Software Interrupt Clear Register (SOFTINTCLR1 and SOFTINTCLR2)

The SOFTINTCLR_x register clears bits in the SOFTINT registers. Writing a 1 to a bit in SOFTINTCLR_x clears the software interrupt associated with that bit and resets the bit in the SOFTINT register to 0. Writing a 0 to SOFTINTCLR_x has no effect. These are write-only registers. Table 9-28 through Table 9-30 define the SOFTINTCLR registers.

Table 9-28. SOFTINTCLR1 Register

BIT	31	30	29	28	27	26	25	24	23	22	21	20	19	18	17	16	
FIELD	UNASSIGNED										GPIO3IN	GPIO2IN	GPIO1IN	GPIO0IN	DMAMIN1	DMAMINO	DMAPIN9
RESET	—	—	—	—	—	—	—	—	—	—	—	—	—	—	—	—	
TYPE	WO	WO	WO	WO	WO	WO	WO	WO	WO	WO	WO	WO	WO	WO	WO	WO	
BIT	15	14	13	12	11	10	9	8	7	6	5	4	3	2	1	0	
FIELD	DMAPI8	DMAPI7	DMAPI6	DMAPI5	DMAPI4	DMAPI3	DMAPI2	DMAPI1	DMAPI0	CODECIN	T2UI	T1UI	COMMSTX	COMMSRX	WDTIN	BROWN	
RESET	—	—	—	—	—	—	—	—	—	—	—	—	—	—	—	—	
TYPE	WO	WO	WO	WO	WO	WO	WO	WO	WO	WO	WO	WO	WO	WO	WO	WO	
ADDR	0x8000.8014																

Table 9-29. SOFTINTCLR2 Register

BIT	31	30	29	28	27	26	25	24	23	22	21	20	19	18	17	16	
FIELD	UNASSIGNED								USHIN	USBIN	SDIN	SSPIN	LCDIN	T3UI	GPIO7IN	GPIO6IN	GPIO5IN
RESET	—	—	—	—	—	—	—	—	—	—	—	—	—	—	—	—	
TYPE	WO	WO	WO	WO	WO	WO	WO	WO	WO	WO	WO	WO	WO	WO	WO	WO	
BIT	15	14	13	12	11	10	9	8	7	6	5	4	3	2	1	0	
FIELD	GPIO4IN	KMIIN	TSCIN	SCIIN	UART3ERR	UART3IN	UART2ERR	UART2IN	UART1ERR	UART1IN	RTCOMI	TTIN	TIN	MCIN	BMIIN	BLIN	
RESET	—	—	—	—	—	—	—	—	—	—	—	—	—	—	—	—	
TYPE	WO	WO	WO	WO	WO	WO	WO	WO	WO	WO	WO	WO	WO	WO	WO	WO	
ADDR	0x8000.A014																

Table 9-30. SOFTINTCLR1 and SOFTINTCLR2 Fields

BIT	NAME	DESCRIPTION
31:0	*	Clears corresponding bit to 0 in the SOFTINT. 1 = Clears bit in SOFTINT register 0 = Not valid

NOTE: *See Table 9-28 and Table 9-29.

9.2.2.9 Vector Address Register (VECTADDR1 and VECTADDR2)

The VECTADDRx register contains the Interrupt Service Routine (ISR) address of the currently active interrupt. Table 9-31 and Table 9-32 define the VECTADDR registers.

Reading from this register provides the address of the ISR, and indicates to the priority hardware that the interrupt is in the process of being serviced. Writing to this register indicates to the priority hardware that the interrupt service routine is complete. The register should be used in this manner:

- The ISR reads the VECTADDR register when an IRQ interrupt is generated
- At the end of the ISR, software writes the VECTADDR register (with any value), to update the priority hardware.

Software must read from, or write to the VECTADDR register for the VIC from which the interrupt was generated.

IMPORTANT: An IRQ ISR always has to read the VIC1 vector address. Only an ISR that services a VIC2 interrupt should read from the VIC2 VECTADDR2 register. ISRs servicing VIC1 interrupts should only write to VECTADDR1, and an ISR servicing VIC2 interrupts should only write to VECTADDR2.

Table 9-31. VECTADDR1 and VECTADDR2 Registers

BIT	31	30	29	28	27	26	25	24	23	22	21	20	19	18	17	16
FIELD	VECTORADDR															
RESET	0	0	0	0	0	0	0	0	0	0	0	0	0	0	0	0
TYPE	RW	RW	RW	RW	RW	RW	RW	RW	RW	RW	RW	RW	RW	RW	RW	RW
BIT	15	14	13	12	11	10	9	8	7	6	5	4	3	2	1	0
FIELD	VECTORADDR															
RESET	0	0	0	0	0	0	0	0	0	0	0	0	0	0	0	0
TYPE	RW	RW	RW	RW	RW	RW	RW	RW	RW	RW	RW	RW	RW	RW	RW	RW
ADDR	0x8000.8030 (VECTADDR1) 0x8000.A030 (VECTADDR2)															

Table 9-32. VECTADDR1 and VECTADDR2 Fields

BIT	NAME	DESCRIPTION
31:0	VECTORADDR	Current Vector Address Contains the address of the currently active ISR. Any writes to this register indicate to the priority hardware that the interrupt service is complete and the interrupt has been cleared.

9.2.2.10 Non-Vectored Address Register (NVADDR1 and NVADDR2)

The NVADDRx register contains a 32-bit value that the ISR requires. Generally, this is the ISR address for non-vectored interrupts, but it can also be an index that the operating system's IRQ handler uses to service the interrupt, for example. All interrupts not explicitly assigned as vectored interrupts or FIQ interrupts default to non-vectored interrupt types.

Software must write the address of the default ISR to this register prior to enabling interrupts. A different address can be written to each of the NVADDR registers so that different ISRs can be used for each VIC, or the same address can be written to both registers.

Table 9-33 and Table 9-34 show the bit assignment of the NVADDR registers.

Table 9-33. NVADDR1 and NVADDR2 Registers

BIT	31	30	29	28	27	26	25	24	23	22	21	20	19	18	17	16
FIELD	NVADDRESS															
RESET	0	0	0	0	0	0	0	0	0	0	0	0	0	0	0	0
TYPE	RW	RW	RW	RW	RW	RW	RW	RW	RW	RW	RW	RW	RW	RW	RW	RW
BIT	15	14	13	12	11	10	9	8	7	6	5	4	3	2	1	0
FIELD	NVADDRESS															
RESET	0	0	0	0	0	0	0	0	0	0	0	0	0	0	0	0
TYPE	RW	RW	RW	RW	RW	RW	RW	RW	RW	RW	RW	RW	RW	RW	RW	RW
ADDR	0x8000.8034 (NVADDR1) 0x8000.A034 (NVADDR2)															

Table 9-34. NVADDR1 and NVADDR2 Fields

BIT	NAME	DESCRIPTION
31:0	NVADDRESS	Non-Vectored ISR Address Contains the address of the default non-vectored ISR handler.

9.2.2.11 Vector Address Registers (VAD1[15:0] and VAD2[15:0])

The sixteen VADx[15:0] registers per VIC contain the ISR vector addresses. The registers correlate to the 16 vectored addresses per VIC. For example, the highest priority vectored interrupt in VIC1 has its ISR address contained in VAD1[1]. Table 9-35 through Table 9-37 define the VADx registers.

The VADx register number provides the address for the corresponding VECTCNTLx register number. For example, the interrupt assigned to VECTCNTL1[3] has its ISR address in VAD1[3]. Prior to enabling interrupts, software must assign the interrupts in each VIC that are vectored (via the VECTCNTLx registers) and write the addresses of the ISR's for each vectored interrupt to the VADx registers.

If all 16 vectored interrupts are not assigned, leave the unassigned registers in their reset state.

Table 9-35. VAD1[15:0] and VAD2[15:0] Registers

BIT	31	30	29	28	27	26	25	24	23	22	21	20	19	18	17	16
FIELD	V_ISRAD															
RESET	0	0	0	0	0	0	0	0	0	0	0	0	0	0	0	0
TYPE	RW	RW	RW	RW	RW	RW	RW	RW	RW	RW	RW	RW	RW	RW	RW	RW
BIT	15	14	13	12	11	10	9	8	7	6	5	4	3	2	1	0
FIELD	V_ISRAD															
RESET	0	0	0	0	0	0	0	0	0	0	0	0	0	0	0	0
TYPE	RW	RW	RW	RW	RW	RW	RW	RW	RW	RW	RW	RW	RW	RW	RW	RW
ADDR	See Table 9-37															

Table 9-36. VAD1[15:0] and VAD2[15:0] Fields

BIT	NAME	DESCRIPTION
31:0	V_ISRAD	Vector ISR Address The address of the ISR assigned to the particular vectored interrupt is contained in this register. If all 16 vectored interrupts are not assigned, leave in the reset state.

Table 9-37. VAD1[15:0] and VAD2[15:0] Register Addresses

REGISTER	VAD1 ADDRESS	VAD2 ADDRESS
VADx[15]	0x8000.813C	0x8000.A13C
VADx[14]	0x8000.8138	0x8000.A138
VADx[13]	0x8000.8134	0x8000.A134
VADx[12]	0x8000.8130	0x8000.A130
VADx[11]	0x8000.812C	0x8000.A12C
VADx[10]	0x8000.8128	0x8000.A128
VADx[9]	0x8000.8124	0x8000.A124
VADx[8]	0x8000.8120	0x8000.A120
VADx[7]	0x8000.811C	0x8000.A11C
VADx[6]	0x8000.8118	0x8000.A118
VADx[5]	0x8000.8114	0x8000.A114
VADx[4]	0x8000.8110	0x8000.A110
VADx[3]	0x8000.810C	0x8000.A10C
VADx[2]	0x8000.8108	0x8000.A108
VADx[1]	0x8000.8104	0x8000.A104
VADx[0]	0x8000.8100	0x8000.A100

9.2.2.12 Vector Control Registers (VECTCNTL1[15:0] and VECTCNTL2[15:0])

The sixteen VECTCNTLx[15:0] registers select the interrupt source for each vectored interrupt. Any of the 32 (per VIC) interrupts can be assigned to any of the vectored interrupts. The highest-priority vector is 0 and the lowest is 15. The INTSOURCE field is programmed with the interrupt number found in Table 9-2.

For example, to assign the highest vectored priority to the GPIO F1 interrupt (VIC1, interrupt 0x14), software writes 0x14 to bits 4:0 of VECTCNTL1[0]. The address of the GPIO F1 ISR must be written to VAD1[0].

Table 9-38 through Table 9-40 define the VECTCNTL[0-15] registers. Note vectored interrupts are only generated if the interrupt is enabled.

Setting up vectored interrupts requires four steps:

- The interrupt is set to generate an IRQ interrupt in the INTSELx register.
- The interrupt is defined as vectored, enabled, and prioritized by programming the VECTCNTLx register.
- The ISR address is programmed into the VADx register.
- The specific interrupt is enabled in the INTENx register. This step must be done last.

This prevents multiple interrupts being generated from a single request if the controller is incorrectly programmed.

Table 9-38. VECTCNTL1[15:0] and VECTCNTL2[15:0] Registers

BIT	31	30	29	28	27	26	25	24	23	22	21	20	19	18	17	16	
FIELD	///																
RESET	0	0	0	0	0	0	0	0	0	0	0	0	0	0	0	0	
TYPE	RO	RO	RO	RO	RO	RO	RO	RO	RO	RO	RO	RO	RO	RO	RO	RO	
BIT	15	14	13	12	11	10	9	8	7	6	5	4	3	2	1	0	
FIELD	///											EN		INTSOURCE			
RESET	0	0	0	0	0	0	0	0	0	0	0	0	0	0	0	0	
TYPE	RO	RO	RO	RO	RO	RO	RO	RO	RO	RO	RO	RW	RW	RW	RW	RW	
ADDR	See Table 9-40																

Table 9-39. VECTCNTL1[15:0] and VECTCNTL2[15:0] Fields

BIT	NAME	DESCRIPTION
31:6	///	Reserved Reading returns 0. Write the reset value.
5	EN	Vector Interrupt Enable Enables vector interrupt. This bit is 0 on reset. 1 = Vectored interrupt enabled 0 = Vectored interrupt disabled
4:0	INTSOURCE	Interrupt Source The 5-bit hexadecimal value selects which interrupt source is assigned to this vector. Any of the interrupt sources that has not already been assigned may be selected, including 'UNASSIGNED' sources (for software interrupts).

Table 9-40. VECTCNTL1[15:0] and VECTCNTL2[15:0] Addresses

REGISTER	VECTCNTL1 ADDRESS	VECTCNTL2 ADDRESS
VECTCNTLx[15]	0x8000.823C	0x8000.A23C
VECTCNTLx[14]	0x8000.8238	0x8000.A238
VECTCNTLx[13]	0x8000.8234	0x8000.A234
VECTCNTLx[12]	0x8000.8230	0x8000.A230
VECTCNTLx[11]	0x8000.822C	0x8000.A22C
VECTCNTLx[10]	0x8000.8228	0x8000.A228
VECTCNTLx[9]	0x8000.8224	0x8000.A224
VECTCNTLx[8]	0x8000.8220	0x8000.A220
VECTCNTLx[7]	0x8000.821C	0x8000.A21C
VECTCNTLx[6]	0x8000.8218	0x8000.A218
VECTCNTLx[5]	0x8000.8214	0x8000.A214
VECTCNTLx[4]	0x8000.8210	0x8000.A210
VECTCNTLx[3]	0x8000.820C	0x8000.A20C
VECTCNTLx[2]	0x8000.8208	0x8000.A208
VECTCNTLx[1]	0x8000.8204	0x8000.A204
VECTCNTLx[0]	0x8000.8200	0x8000.A200

9.2.2.13 Test Control Register (ITCR1 and ITCR2)

The ITCR registers select test mode, and are de-selected on reset. In test mode, the ITIP registers become the inputs to the VICs instead of hardware (or programmed software) inputs. This allows interrupt debugging. Table 9-41 and Table 9-42 define the ITCR registers.

Table 9-41. ITCR1 and ITCR2 Registers

BIT	31	30	29	28	27	26	25	24	23	22	21	20	19	18	17	16	
FIELD	///																
RESET	0	0	0	0	0	0	0	0	0	0	0	0	0	0	0	0	
TYPE	RO	RO	RO	RO	RO	RO	RO	RO	RO	RO	RO	RO	RO	RO	RO	RO	
BIT	15	14	13	12	11	10	9	8	7	6	5	4	3	2	1	0	
FIELD	///															ITEN	
RESET	0	0	0	0	0	0	0	0	0	0	0	0	0	0	0	0	
TYPE	RO	RO	RO	RO	RO	RO	RO	RO	RO	RO	RO	RO	RO	RO	RO	RO	RW
ADDR	0x8000.8300 ITCR1 0x8000.A300 ITCR2																

Table 9-42. ITCR1 and ITCR2 Fields

BIT	NAME	DESCRIPTION
31:1	///	Reserved Reading returns 0. Write the reset value.
0	ITEN	Interrupt Test Enable Selects test mode, to use ITIP test registers in place of input signals. 1 = Test mode enabled 0 = Test mode disabled (normal mode)

9.2.2.14 Test Input Register (ITIP1)

The ITIP1 register indicates the status of the nVICIRQIN and nVICFIQIN daisy-chain VIC1 input lines from VIC2. Table 9-43 and Table 9-44 define the ITIP1 register.

Table 9-43. ITIP1 Register

BIT	31	30	29	28	27	26	25	24	23	22	21	20	19	18	17	16
FIELD	///															
RESET	0	0	0	0	0	0	0	0	0	0	0	0	0	0	0	0
TYPE	RO	RO	RO	RO	RO	RO	RO	RO	RO	RO	RO	RO	RO	RO	RO	RO
BIT	15	14	13	12	11	10	9	8	7	6	5	4	3	2	1	0
FIELD	///								II	FI	///					
RESET	0	0	0	0	0	0	0	0	0	0	0	0	0	0	0	0
TYPE	RO	RO	RO	RO	RO	RO	RO	RO	RO	RO	RO	RO	RO	RO	RO	RO
ADDR	0x8000.8304															

Table 9-44. ITIP1 Fields

BIT	NAME	DEFINITION
31:8	///	Reserved Reading returns 0. Write the reset value.
7	II	IRQ In Status Indicates status of nVICIRQIN when ITCR1:ITEN bit is 0
6	FI	FIQ In Status Indicates status of nVICFIQIN when ITCR1:ITEN bit is 0
5:0	///	Reserved Reading returns 0. Values written cannot be read.

9.2.2.15 Test Input Register (ITIP2)

The ITIP2 register indicates the status of the VECTADDRIN daisy-chain input lines to VIC1 from VIC2. One way for software to determine whether an IRQ originated from VIC1 or VIC2 is to compare the value in the ITIP2 register with the value read from the VIC1 VECTADDR register. If the values are equal, the highest priority pending interrupt is from VIC2. Table 9-45 and Table 9-46 defines the ITIP2 register.

Table 9-45. ITIP2 Register

BIT	31	30	29	28	27	26	25	24	23	22	21	20	19	18	17	16
FIELD	VECTORADDRIN															
RESET	0	0	0	0	0	0	0	0	0	0	0	0	0	0	0	0
TYPE	RO	RO	RO	RO	RO	RO	RO	RO	RO	RO	RO	RO	RO	RO	RO	RO
BIT	15	14	13	12	11	10	9	8	7	6	5	4	3	2	1	0
FIELD	VECTORADDRIN															
RESET	0	0	0	0	0	0	0	0	0	0	0	0	0	0	0	0
TYPE	RO	RO	RO	RO	RO	RO	RO	RO	RO	RO	RO	RO	RO	RO	RO	RO
ADDR	0x8000.8308															

Table 9-46. ITIP2 Fields

BIT	NAME	DESCRIPTION
31:0	VECTORADDRIN	VECTORADDRIN Value on VIC2 Indicates status of VECTADDRIN when ITCR2:ITEN bit is 0.

9.2.2.16 Test Output Register (ITOP1)

The ITOP1 register indicates the status of the nVICIRQ and nVICFIQ interrupt request lines from VIC 1 to the ARM922T CPU. Table 9-47 and Table 9-48 define the ITOP1 register.

Table 9-47. ITOP1 Register

BIT	31	30	29	28	27	26	25	24	23	22	21	20	19	18	17	16
FIELD	///															
RESET	0	0	0	0	0	0	0	0	0	0	0	0	0	0	0	0
TYPE	RO	RO	RO	RO	RO	RO	RO	RO	RO	RO	RO	RO	RO	RO	RO	RO
BIT	15	14	13	12	11	10	9	8	7	6	5	4	3	2	1	0
FIELD	///								IO	FO	///					
RESET	0	0	0	0	0	0	0	0	0	0	0	0	0	0	0	0
TYPE	RO	RO	RO	RO	RO	RO	RO	RO	RO	RO	RO	RO	RO	RO	RO	RO
ADDR	0x8000.830C															

Table 9-48. ITOP1 Fields

BIT	NAME	DESCRIPTION
31:8	///	Reserved Reading returns 0. Write the reset value.
7	IO	IRQ Out Status Status of nVICIRQ interrupt line. If 1, the interrupt request is active.
6	FO	FIQ Out Status Status of nVICFIQ interrupt line. If 1, the interrupt request is active.
5:0	///	Reserved Reading returns 0. Values written cannot be read.

9.2.2.17 Test Output Register ITOP2

The ITOP2 register indicates the status of the VECTADDRROUT lines from VIC2 to VIC1. Table 9-49 and Table 9-50 define the ITOP2 register.

Table 9-49. ITOP2 Register

BIT	31	30	29	28	27	26	25	24	23	22	21	20	19	18	17	16
FIELD	VECTORADDRIN															
RESET	0	0	0	0	0	0	0	0	0	0	0	0	0	0	0	0
TYPE	RO	RO	RO	RO	RO	RO	RO	RO	RO	RO	RO	RO	RO	RO	RO	RO
BIT	15	14	13	12	11	10	9	8	7	6	5	4	3	2	1	0
FIELD	VECTORADDRIN															
RESET	0	0	0	0	0	0	0	0	0	0	0	0	0	0	0	0
TYPE	RO	RO	RO	RO	RO	RO	RO	RO	RO	RO	RO	RO	RO	RO	RO	RO
ADDR	0x8000.8310															

Table 9-50. ITOP2 Fields

BIT	NAME	DESCRIPTION
31:0	VECTORADDRROUT	VECTORADDRIN Value on VIC2 Indicates the value of VECTADDRROUT when ITCR2:ITEN bit is 0.

Chapter 10

Direct Memory Access (DMA) Controller

The DMA Controller can interface streams from 20 internal peripherals to the system memory using 10 fully-independent programmable channels. These channels consist of five Memory-to-Peripheral channels (M2P, transmit) and five Peripheral-to-Memory channels (P2M, receive).

10.1 Theory of Operation

The following LH7A404 peripherals may be allocated to the 10 channels.

- USB Device (which contains 1 TX and 1 RX DMA Channel)
- SD/MMC (which contains 1 TX and 1 RX DMA Channel)
- AC97 (which contains 3 TX and 3 RX DMA Channels)
- UART1 (which contains 1 TX and 1 RX DMA Channel)
- UART2 (which contains 1 TX and 1 RX DMA Channel)
- UART3 (which contains 1 TX and 1 RX DMA Channel)

Each peripheral has its own bi-directional DMA bus capable of transferring data in both directions simultaneously. All memory transfers take place via the main system AHB bus.

The DMA Controller can also be used to interface streams from Memory-to-Memory (M2M) or Memory to External Peripheral (external M2P/P2M) using two dedicated M2M channels. External handshake signals are available to support Memory to/from External Peripheral transfers. A software trigger is available for Memory-to-Memory transfers only.

DMA Specific features include:

- Two dedicated channels for Memory-to-Memory and Memory-to-External Peripheral Transfers.
- Ten independent, programmable internal M2P/P2M channels (5 Tx and 5 Rx).
- Programmable internal M2P/P2M channels for use on one of a number of different peripherals.
- Independent source and destination address registers. Source and destination can be programmed to auto-increment or not for Memory-to-Memory channels.
- Two Buffer Descriptors per M2P and M2M channel to avoid potential data under/over-flow due to software-introduced latency. A Buffer refers to the system memory area characterized by a buffer descriptor, i.e., a start address and the length of the buffer in bytes.
- No AMBA wrapping bursts for DMA channels; only incrementing bursts are supported.
- For the internal M2P channels, buffer size is independent of the peripheral's packet size. Transfers can automatically switch between buffers.

- Maskable interrupt generation.
- Internal arbitration between DMA channels exists, plus support for an AHB bus arbiter.
- Byte, word and quad-word data transfers are supported.

A set of control and status registers are available to the system processor for setting up DMA operations and monitoring their status, system interrupts being generated when any/all of the DMA channels wish to inform the processor to update the buffer descriptor. The DMA controller can service 10 out of 20 possible peripherals using the ten internal M2P/P2M DMA channels, each with its own peripheral DMA bus capable of transferring data in both directions simultaneously.

The SD/MMC, UART1/2/3 and USB Device peripherals can each use two DMA channels, one for transmit and one for receive. The AC97 can use six DMA channels (three transmit and three receive) to allow different sample frequency data queues to be handled with low software overheads.

To perform block moves of data from one memory address space to another with minimum of program effort and time the DMA controller includes a memory-to-memory transfer feature. A M2M s/w trigger capability is provided. It can also fill a block of memory with data from a single location.

The DMA controller memory-to-memory channels can also be used in Memory to External Peripheral mode. A set of external handshake signals DREQ, DACK and TC/DEOT are provided for each of two memory-to-memory (M2M) channels.

DREQ (input) can be programmed edge or level active, and active HIGH or LOW. The peripheral may hold DREQ active for the duration of the block transfers or may assert/deassert on each transfer.

DACK (output) can be programmed active HIGH or LOW. DACK will cycle with each read or write, the timing is to coincide with the nOE or nWE of the EBI.

TC/DEOT is a bidirectional signal, the direction and the active sense is programmable. When configured as an output, the DMA will assert TC (Terminal Count) on the final transfer to coincide with the DACK, typically when the byte count has expired. When configured as an input, the peripheral must assert DEOT concurrent with DREQ for the final transfer in the block.

Transfer is terminated on the sooner occurrence of DEOT being asserted by the external peripheral or the byte count expiring. Status bits will indicate if the actual byte count is equal to the programmed limit, and also if the count was terminated by peripheral asserting DEOT. Termination of transfer will cause a DMA interrupt on that channel and rollover to the 'other' buffer if configured.

10.1.1 DMA External Interface Signals

Each of the two M2M channels has three dedicated handshake control signals for transfers involving an external peripheral device:

- DREQ input — DMA request which can be programmed edge or level sensitive as well as active HIGH/LOW. The DREQ from the peripheral will be synchronized using 2 HCLK flip-flops before being used internally in the DMA controller.

- DACK output — DMA acknowledge which can be programmed active HIGH or LOW. This DMA output will be re-timed to SMC/EBI before being output from the chip.
- DEOT/TC input/output — End-of-transfer/Terminal Count which marks the end of a DMA transfer, and can be programmed active HIGH or LOW. TC is an output of the DMA in the destination bus transaction if the byte transfer count is exhausted. DEOT may be used as an input to the DMA to indicate that the device being serviced requires no more transfers.

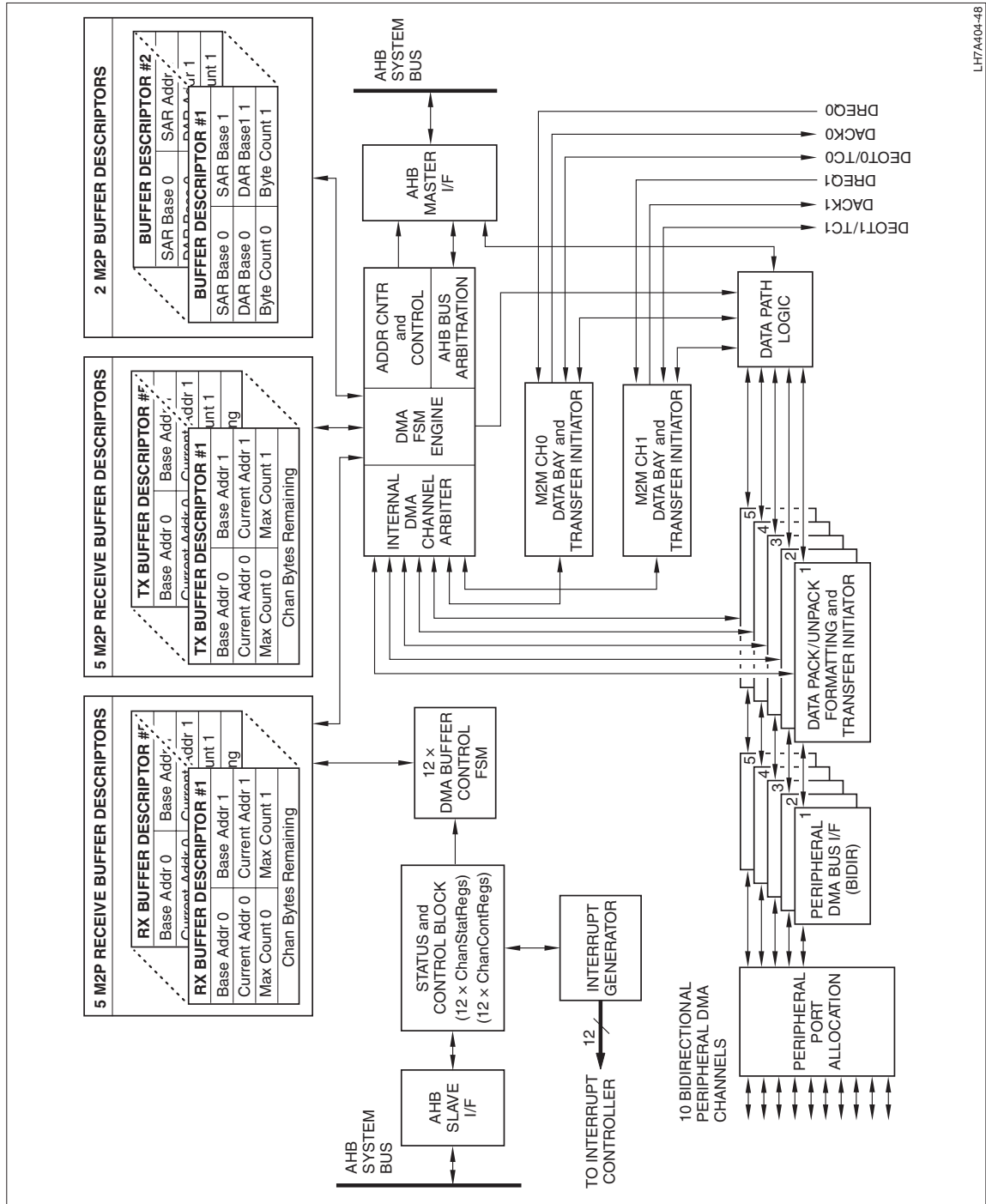


Figure 10-1. DMA Controller Block Diagram

These signals are used within the peripheral DMA bus protocol to transfer data between the DMA Controller and a peripheral. Data is transferred using a REQ-ACK handshake, transfers being synchronous to the rising edge of the system bus clock. Resynchronization within the peripheral is required if it uses a different clock domain.

The DMA Controller memory access latency is taken up by FIFOs in the peripherals.

Timing diagrams for the Peripheral DMA Bus interface signals is shown in the following diagrams. Note that the peripheral clock, PCLK and the AHB Clock, HCLK, are synchronously aligned, division of HCLK performed by removing pulses to form PCLK.

PCLK can be 2 to 8 times slower than HCLK. This fact is taken into account by the DMA Controller which extends the appropriate signals to allow the slower peripheral to respond.

In the Receive direction, RxAck and RxTC are extended.

In the Transmit direction, TxReq, TxData[7:0], TxTC are extended.

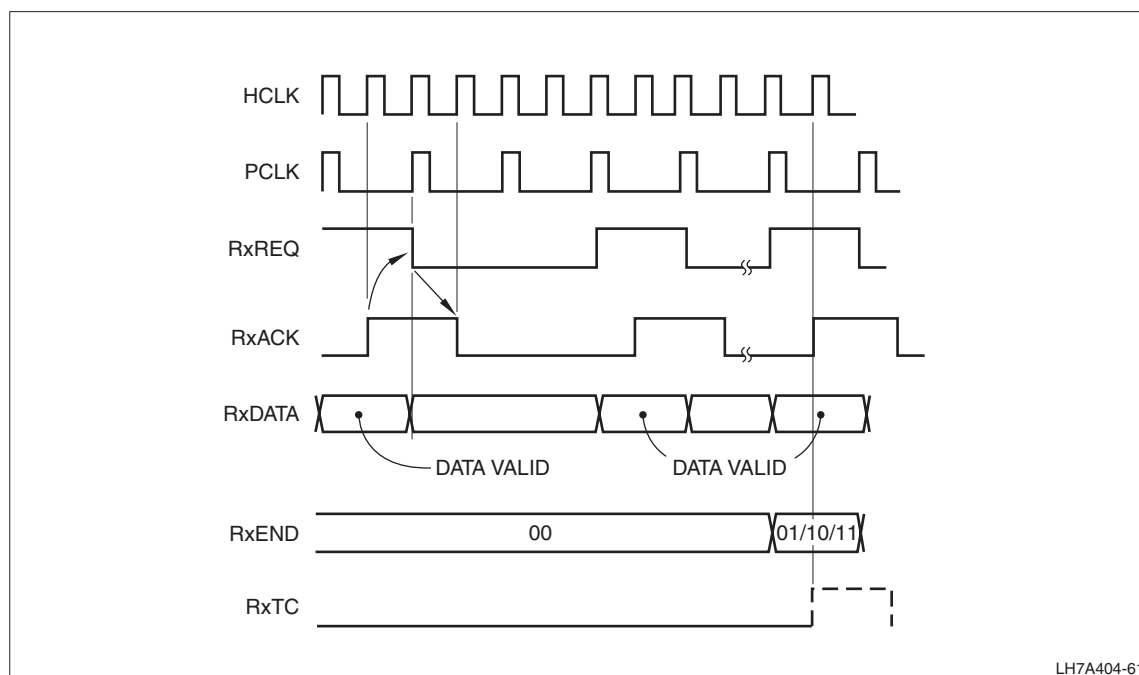


Figure 10-2. Peripheral DMA Interface Receive Timing

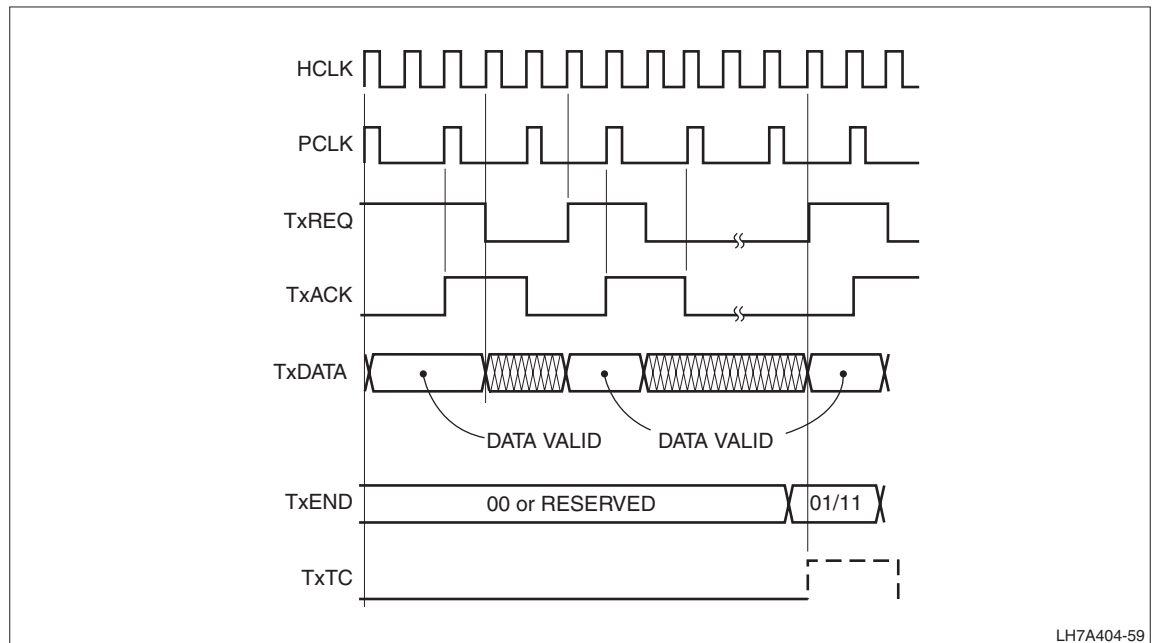


Figure 10-3. Peripheral DMA Interface Transmit Timing

10.1.1.1 Interrupt Interface

Each of the 12 DMA channels (10 M2P and 2 M2M) generates a single interrupt signal which is a combination of the interrupt sources for that channel. All 12 interrupts are passed to the interrupt controller.

10.1.1.2 Internal M2P/P2M Data Unpacker/Packer Description

The DMA controller transfers data to and from the system memory in four word bursts. The peripheral DMA bus protocol is used to transfer data to and from the peripherals as single bytes. In order to build the quad word bursts from the single bytes received from the peripheral, the DMA controller uses the Rx Burst Packers. To decompose the quad word bursts into byte transfers to the peripherals the Tx Burst Un-Packers are used.

The data received on each of the five peripheral receive DMA Rxdata buses is transferred into an internal receive packer unit. The packer unit is used to convert the byte-wide data received from the peripheral into words to be transferred over the system bus to the memory. The packer unit stores 4 words (one quad-word) of data, which is the size of the burst transfers to and from memory over the system bus. Provision for the memory access latency is provided by FIFOs within the peripheral. The size of the FIFOs can be selected as appropriate for the data rate generated by the peripheral.

Transmit data is fetched from system memory by the AHB master interface and placed into the transmit un-packer. The transmit un-packer converts the quad-word burst of DMA data into byte data for transmission over the transmit peripheral DMA bus. The transmit un-packer contains 4 words (one quad-word) of storage. Additional latency is provided by FIFOs within the peripheral, the size of which can be selected as appropriate for the peripheral.

The number of data transfers over the peripheral DMA bus (i.e. the number of bytes) are counted by packer/un-packer unit. If the number of bytes transferred reaches the Max-Transfer count, the appropriate RxTC/TxTC signal is asserted causing the flush to memory of data from a packer unit, and the invalidation of any data remaining in an un-packer unit.

10.1.2 M2M DMA Functional Description

10.1.2.1 Data Transfer Initiation

Memory-to-memory transfers require a memory read and write to complete each transfer.

The DMA Controller initiates memory-to-memory transfers in the receive direction (i.e. from memory/peripheral to DMA) when:

- A channel has been triggered by software i.e. setting the START bit to '1'. Setting the START bit causes the channel to request the bus, and when granted ownership it will start transferring data immediately. The DMA controller drives the SAR_BASEx value onto the internal AHB address bus. If MCONTROL[SCT] is not set, the SAR_BASEx increments by the appropriate number of bytes upon a successful read cycle. The DMA initiates the write portion of the transfer when the appropriate number of read cycles complete, i.e. either when the 16-byte data bay has been filled, or when it contains the number of bytes (less than 16) that remain to be transferred, or when it contains sufficient data for an unaligned byte/word access (dependent on the next address access).
- A channel receives a request from an external peripheral and the transfer mode is set to either memory-to-external peripheral mode or external peripheral-to-memory mode (i.e. MCONTROL[TM] = 01/10 respectively). DMA drives the SAR_BASEx value onto the address bus and requests a transfer size equal to the programmed peripheral width. In the case of MCONTROL[TM] = 10 where the external peripheral (which is the source for the data) is FIFO-based, it is up to software to program the SAH bit correctly (Source Address Hold), so that on successive transfers from the peripheral, the SAR_CURRENTx value will not increment as it must remain pointed at the top entry in the FIFO.
- When the current transfer terminates the DMA will check if the BCR register for the 'other' buffer (of the double-buffer set) has been programmed. If BCR is non-zero and MCONTROL[TM] = 00 i.e. software trigger mode, then the DMA will proceed to request the AHB bus and begin a transfer from memory to DMA using the other buffer descriptor. Software does *not* need to reprogram the START bit - it is enough to have the second buffer descriptor set up while the first buffer transfer is in progress. In the case where TM is such that external-peripheral mode is setup, then rollover to the other buffer will also occur if the current transfer terminates, *but* the DMA will wait until it receives a DREQ from the external peripheral before initiating a transfer.

The DMA Controller initiates memory-to-memory transfers in the transmit direction (i.e. from DMA to memory/peripheral) when:

- For a software triggered M2M transfer, a memory-write is initiated when the 16-byte data bay has been filled (in the case where 16 or more bytes remain to be transferred) or when it contains the appropriate number of bytes (equal to BCR register value if BCR is less than 16). The DMA controller drives the DAR_BASEx onto the address bus. This address can be any aligned byte address. The BCR register decrements by the appropriate number of bytes. When BCR = 0 then the transfer is complete. If BCR is greater than zero, another read/write transfer is initiated.
- For transfers involving external peripherals, the DMA memory-write phase is initiated when the data bay contains the byte/halfword/word data, depending on PW value i.e. peripheral width. The DMA will then drive the DAR_BASEx onto the address bus and will set the AMBA HSIZE signal in accordance with the PW value. In the case of MCONTROL[TM] = 01 and the external peripheral (which is the destination for the data) is FIFO-based, it is up to software to program the DAH bit correctly (Destination Address Hold), so that on successive transfers to the peripheral, the DAR_CURRENTx value will not increment as it must remain pointed at the top entry in the FIFO.

10.1.2.2 Data Transfer Termination

The DMA Controller terminates a memory-to-memory channel transfer under the following conditions:

- For s/w triggered transfers which use a single buffer, the transfer is terminated when the BCR register of the active buffer has reached zero. The DONE status bit and corresponding interrupt (if enabled) will be set. In the case of double/multiple buffer transfers, termination occurs when the BCR registers of both buffer descriptors has reached zero. The DONE status bit and corresponding interrupt (if enabled) will be set. When the DONE interrupt is set the processor can then write a one to clear the interrupt before reprogramming the DMA to carry out another M2M transfer.
- For operations involving external peripherals, using a single buffer, the transfer is terminated on the sooner occurrence of DEOT being asserted by the peripheral or the byte count expiring for the active buffer. In the case of the DMA receiving a DEOT from the peripheral (which is aligned to DREQ) the DMA knows that this is the final transfer to be performed. The DONE status bit and corresponding interrupt (if enabled) will be set. In the case of double/multiple buffer transfers, termination occurs on the sooner occurrence of the DMA receiving a DEOT from the peripheral while it is transferring to/from the last buffer (i.e. no other buffer has been set up), or when the BCR registers of both buffer descriptors has reached zero. When the DONE interrupt is set the processor can then write a one to clear the interrupt before reprogramming the DMA to carry out another external M2P/P2M transfer. If the DEOT_TC pin is configured as an output pin (TC), the DMA asserts TC when each buffers byte count expires. It then rolls over to the other buffer. If the DEOT_TC pin is configured as an input pin (DEOT), the DMA terminates transfers from the active buffer when DEOT is asserted and rolls over to the other buffer. The DONE interrupt is not asserted when the DMA has another buffer available to which it can roll over. However the NFB interrupt is generated when the roll over occurs.

10.1.2.3 Memory Block Transfer

The DMA Controller M2M channels provide a feature whereby block moves of data from one memory location can occur. If the PCONTROL[SCT] register bit is set for a channel then its source address will not increment. In order to use this feature both the source and destination addresses must be word-aligned, thus facilitating the transfer of a word of data from 1 location to a block of memory - the number of destination memory addresses written to will be determined by the byte count register e.g. to copy a word to 10 consecutive destination addresses then BCR must be set to 40.

10.1.2.4 Bandwidth Control

The Bandwidth Control feature makes it possible to force the DMA off the bus during M2M transfers, to allow access to another device/peripheral. MCONTROL:BWC register bits provide 12 levels of block transfer sizes. If the BCR decrements to within 15 bytes of a multiple of the decode of BWC, then the DMA bus request is negated until the bus cycle terminates, to allow the AHB bus arbiter to switch masters. If BWC is equal to zero, then the bus request stays asserted until BCR = zero (i.e. the transfer is finished).

If the initial value of BCR is equal to the BWC decode, the bus request will not be negated straight away. Some data must first be transferred.

10.1.2.5 External Peripheral DMA Request (DREQ) Mode

When the external peripheral requires DMA service, it asserts DREQ, which may be configured as either edge or level sensitive (using bit DREQP[1] of the MCONTROL register).

- With level-sensitive mode the external peripheral requests service by asserting DREQ and leaving it asserted as long as it needs service. The DMA synchronizes the DREQ input using 2 HCLK flip-flops for metastability protection. To prevent another transfer from taking place, the external peripheral must deassert the DREQ pin during the DACK (DMA Acknowledge) cycle. The number of cycles that DACK is asserted is governed by the number of wait states in the Static Memory Controller.
- For external peripherals that generate a pulsed signal for each transfer, edge-sensitive mode should be used. When the DMA detects a rising/falling edge on DREQ (as configured by bit DREQP[0] of the MCONTROL register), a request becomes pending. The DMA synchronizes the latched DREQ input using 2 HCLK flip-flops for metastability protection. The DREQS status bit is set to indicate that a request is pending. Subsequent changes on DREQ are ignored until the pending request begins to be serviced. When the pending request has begun to be serviced, the DREQS status bit is cleared and subsequent edge-triggered requests are again recognized (latched) by the DMA. The DREQS status bit can be cleared by a software write to the channel PSTATUS register, thus causing the DMA to ignore the request.

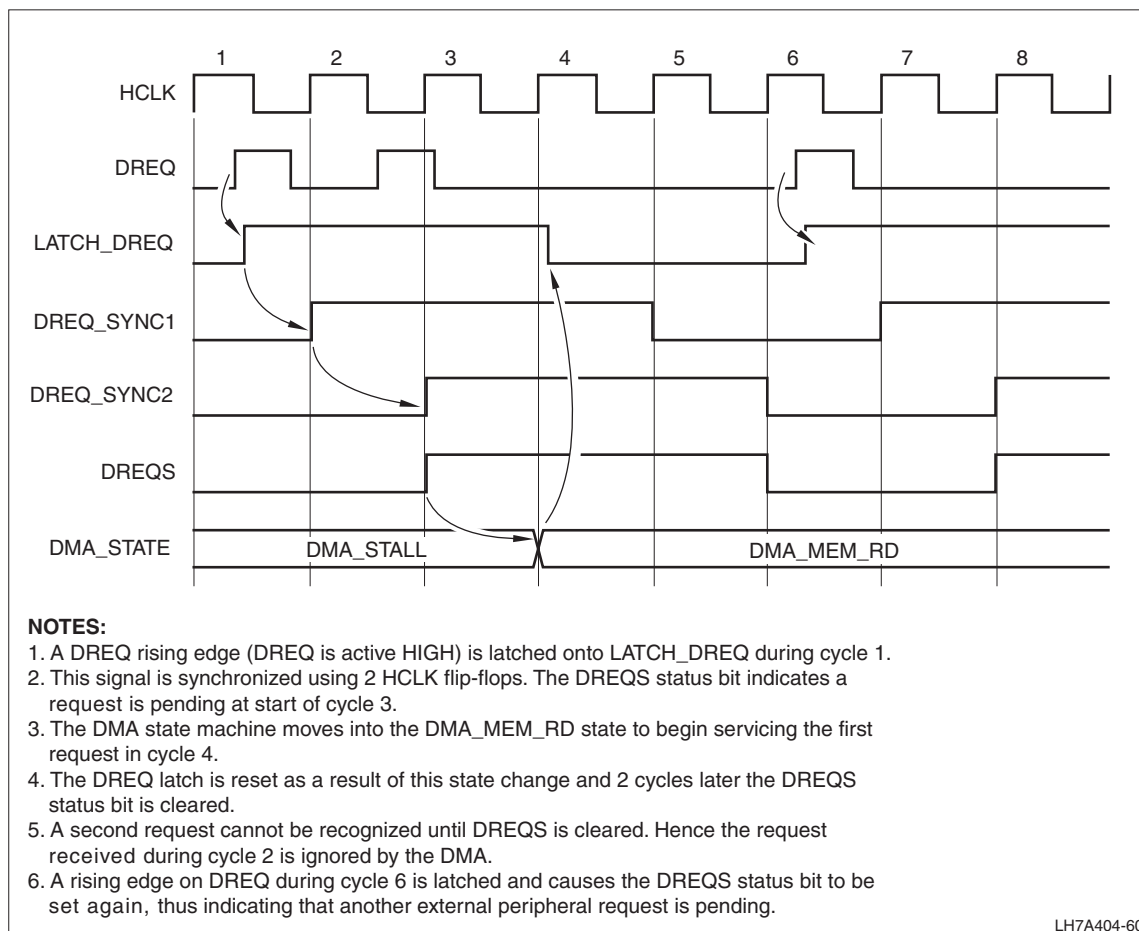


Figure 10-4. Edge-Triggered DREQ Mode

10.1.3 DMA Data Transfer Size Determination

10.1.3.1 Internal Peripheral and Software Initiated M2M Transfers

Data transfer size flexibility is guaranteed by aligning the start address of a DMA transfer to any arbitrary byte boundary.

At the start of a receive or transmit data transfer, the AHB Master Interface uses the low order 4 bits of the current DMA address to decide on the data transfer size to use. If the low-order 4 bits are zero, the first transfer is a quad word access. If they are not all zero, then if the low-order two bits are zero, the first transfer is a word transfer. Word transfers will continue, and the current address incremented each time by one word, until the low-order address bits indicate that the address is quad-word aligned. If the start address is not word aligned, then the first transfer is a byte transfer, and the current address is incremented by one byte each time, until the current address is word aligned. Transfers will then be performed as word transfers until the address is quad-word aligned. (Unless the address becomes quad-word aligned immediately, in which case quad word transfers are used). Note that in the case of the M2M channels, source address alignment takes precedence over destination address alignment. This means that if the source is aligned on a quad-word boundary and the destination address is aligned on a byte boundary, the channel will burst data into the FIFO and then perform byte transfers to the destination.

The maximum transfer count can be any arbitrary number of bytes.

The DMA Controller transfers data when it owns the AHB bus. Note that with byte/word/quad-word scheme that the DMA Controller employs, it can never burst across a 1KB boundary.

Table 10-1. Data Transfer Size

CURRENT DMA ADDRESS BITS [3:0]	TRANSFER TYPE
0000	Quad-Word access (unless there are less than 4 word addresses remaining)
0100, 1000, 1100	Word access
xx01, xx10, xx11	Byte access

10.1.3.2 External M2P/P2M Transfers

The data transfer size for DMA transfers to/from external peripherals is dictated by the peripheral width. For byte, half-word or word wide peripherals, the DMA is programmed, using the PW bits of a channels control register, to request byte, half-word or word wide transfers respectively. Each external peripheral request generates one peripheral width DMA transfer. If the memory involved is narrower than the peripheral then multiple memory accesses may be needed e.g. a word wide peripheral transferring to byte wide memory requires 4 memory transfers. The memory controller handles the generation of multiple memory accesses if necessary (and not the DMA).

10.1.4 Buffer Descriptors

A Buffer refers to the area in system memory that is characterized by a buffer descriptor, i.e., a start address and the length of the buffer in bytes.

10.1.4.1 Internal M2P/P2M Channel RX Buffer

There are five RX Buffer descriptors - one for each of the five receive channels. Only one RX Buffer Descriptor is allocated per transaction.

Each Buffer Descriptor allows channel double buffering scheme by containing programming for two buffers i.e. two system buffer base addresses and two buffer byte counts. This ensures that there is always one free buffer available for transfers to avoid potential data over/under-flow due to software introduced latency.

10.1.4.2 Internal M2P/P2M Channel TX Buffer

Only one TX Buffer Descriptor is allocated per transaction. There are five TX Buffer descriptors — one for each of the five transmit channels.

Each Buffer Descriptor allows a channel double buffering scheme by containing programming for two buffers i.e. two system buffer base addresses and two buffer byte counts. This ensures that there is always one free buffer available for transfers to avoid potential data over/under-flow due to software introduced latency.

10.1.4.2.1 M2M Channel Buffer Descriptors

Only one M2M channel buffer descriptor is allocated per transaction.

There are two M2M Buffer descriptors - one for each of the 2 M2M channels.

Each Buffer Descriptor allows a channel double buffering scheme by containing programming for two buffers i.e. two source base addresses, two destination base addresses and two buffer byte counts. This ensures that there is always one free buffer available for transfers to avoid potential data over/under-flow due to software introduced latency.

10.1.4.2.2 Internal M2P DMA Buffer Control State Machine

Each DMA internal M2P channel is controlled by a FSM which determines whether the channel is transferring data and whether it is currently generating an interrupt.

- CE: Channel (Peripheral) Error
- ICE:Control Register.D6 - Ignore Channel Error. This bit may be set for data streams whereby the end user can tolerate occasional bit errors. If it is not set then the DMA will abort its transfer in receipt of a peripheral error.
- DMA_IDLE
- The DMA Channel FSM always reset to the DMA_IDLE state.
- The DMA Channel FSM always enter the DMA_IDLE state when channel is disabled (MCONTROL Reg, D4).
- DMA_STALL

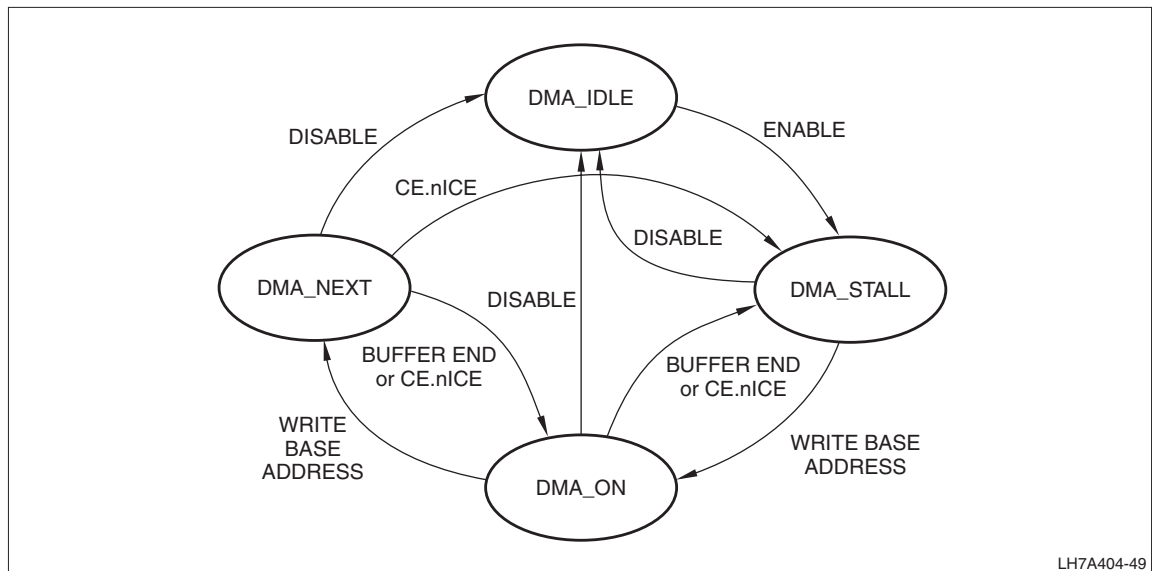


Figure 10-5. DMA M2P Finite State Machine

- The DMA Channel FSM enters the DMA_STALL state when channel enabled, no STALL interrupt generated for this condition.
 - The DMA Channel FSM enters the DMA_STALL state if a memory buffer completes in the ON state. A DMA_STALL interrupt is generated for this condition.
 - The DMA Channel FSM enters the DMA_STALL state and terminate the current memory buffer if there is a peripheral error (TxEnd/RxEnd indication) while in the DMA_ON state and ICE is not active.
 - The DMA Channel FSM enters the DMA_STALL state and terminates the current memory buffer if there is a peripheral error (TxEnd/RxEnd indication) while in the DMA_NEXT state and the ICE bit is inactive. No STALL interrupt is generated for this condition.
 - No data transfers occur in this state.
- DMA_ON
 - The DMA Channel FSM enters this state when a base address is written in the stall state.
 - Data transfers occur in this state.
 - The DMA Channel FSM enters this state when the current memory buffer expires, or when a peripheral error occurs and the ICE bit is set, whilst in the DMA_NEXT state. The transition from DMA_NEXT to DMA_ON state results in a NFB interrupt being generated.
- DMA_NEXT
 - The DMA Channel FSM enters this state when a base address register is written in the DMA_ON state (e.g. for buffer Y). The DMA will continue to transfer using the buffer (e.g. buffer X) that it began with in the DMA_ON state. When buffer X expires or when a peripheral error occurs (and ICE bit is set), then the DMA will automatically switch over to using the next buffer (buffer Y). It will generate an interrupt (NFBint) to signal to the processor that it is switching over to a new buffer and hence the old buffer descriptor (buffer X) is available to be updated. If the ICE bit is not set then the DMA will move to the STALL state.
 - Data transfers occur in this state.

10.2 Memory Map

Table 10-2 defines the DMA Controller mapping for each of 10 memory-to-peripheral channels (5 Tx and 5 Rx), plus 2 memory-to-memory channels.

For ease of understanding, even numbers are used to designate Tx channels and Tx ports. Odd numbers are used to designate Rx channels and Rx ports. Thus, Port 3 is a receive port, and likewise, Channel 2 is a transmit channel.

Before programming a channel, the clock for that channel must be turned on by setting the appropriate bit in the PWRCNT register of the Clock and State Controller block (see the Clock and State Controller chapter for details). The base address for each of these registers is defined in Table 10-2.

Table 10-2. DMA Memory Map

BASE ADDRESS	DESCRIPTION
0x8000.2800	M2P Channel 0 Registers (Tx)
0x8000.2840	M2P Channel 1 Registers (Rx)
0x8000.2880	M2P Channel 2 Registers (Tx)
0x8000.28C0	M2P Channel 3 Registers (Rx)
0x8000.2900	M2M Channel 0 Registers
0x8000.2940	M2M Channel 1 Registers
0x8000.2980	Reserved
0x8000.29C0	Reserved
0x8000.2A00	M2P Channel 5 Registers (Rx)
0x8000.2A40	M2P Channel 4 Registers (Tx)
0x8000.2A80	M2P Channel 7 Registers (Rx)
0x8000.2AC0	M2P Channel 6 Registers (Tx)
0x8000.2B00	M2P Channel 9 Registers (Rx)
0x8000.2B40	M2P Channel 8 Registers (Tx)
0x8000.2B80	Global Channel Arbitration Register
0x8000.2BC0	Global Interrupt Register
0x8000.2BC4	Reserved

10.2.1 Global DMA Register Map

The DMA Controller contains two global registers that are used for both M2P/P2M and M2M transfers. Table 10-3 shows the registers' address offset and descriptions.

Table 10-3. Internal M2P/P2M Channel Register Map

ADDRESS	NAME	DESCRIPTION
0x8000.2B80	GCA	Global Channel Arbitration Register This register controls the DMA channel arbitration.
0x8000.2BC0	GIR	Global Interrupt Register This register indicates which channels have an active interrupt.

10.2.1.1 Global Channel Arbitration Register (GCA)

The Global Channel Arbitration Register (GCA) allows software to configure the DMA Controller to prioritize either M2M or M2P/P2M transfers as the higher priority.

Table 10-4. GCA Register

BIT	31	30	29	28	27	26	25	24	23	22	21	20	19	18	17	16
FIELD	///															
RESET	0	0	0	0	0	0	0	0	0	0	0	0	0	0	0	0
TYPE	RO	RO	RO	RO	RO	RO	RO	RO	RO	RO	RO	RO	RO	RO	RO	RO
BIT	15	14	13	12	11	10	9	8	7	6	5	4	3	2	1	0
FIELD	///															CHARB
RESET	0	0	0	0	0	0	0	0	0	0	0	0	0	0	0	0
TYPE	RO	RO	RO	RO	RO	RO	RO	RO	RO	RO	RO	RO	RO	RO	RO	RW
ADDR	0X8000.2B80															

Table 10-5. GCA Fields

BIT	NAME	DESCRIPTION
31:1	///	Reserved Reading returns 0. Write the reset value.
0	CHARB	Channel Arbitration This bit controls the DMA channel arbitration. 1 = M2M transfers are higher priority than M2P 0 = M2P/P2M transfers are higher priority than M2M

10.2.1.2 Global Interrupt Register (GIR)

This register returns the status of interrupts by channel. The M2M and M2P/P2M interrupts are logically ORed together channel-by-channel to populate this register. Once each channel's Interrupts are cleared to 0 (in the PINTERRUPT or MINTERRUPT register), the associated channel interrupt bit in the GIR gets cleared to 0.

Table 10-6. GIR Register

BIT	31	30	29	28	27	26	25	24	23	22	21	20	19	18	17	16
FIELD	///															
RESET	0	0	0	0	0	0	0	0	0	0	0	0	0	0	0	0
TYPE	RO	RO	RO	RO	RO	RO	RO	RO	RO	RO	RO	RO	RO	RO	RO	RO
BIT	15	14	13	12	11	10	9	8	7	6	5	4	3	2	1	0
FIELD	///				MMI1	MMI0	MPI8	MPI9	MPI6	MPI7	MPI4	MPI5	MPI2	MPI3	MPI0	MPI1
RESET	0	0	0	0	0	0	0	0	0	0	0	0	0	0	0	0
TYPE	RO	RO	RO	RO	RO	RO	RO	RO	RO	RO	RO	RO	RO	RO	RO	RO
ADDR	0X8000.2BC0															

Table 10-7. GIR Fields

BIT	NAME	DESCRIPTION
31:12	///	Reserved Reading returns 0. Write the reset value.
11	MMI1	M2M Channel 1 Interrupt 1 = Interrupt pending 0 = Interrupt cleared
10	MMI0	M2M Channel 0 Interrupt 1 = Interrupt pending 0 = Interrupt cleared
9	MPI8	M2P Channel 8 Interrupt 1 = Interrupt pending 0 = Interrupt cleared
8	MPI9	M2P Channel 9 Interrupt 1 = Interrupt pending 0 = Interrupt cleared
7	MPI6	M2P Channel 6 Interrupt 1 = Interrupt pending 0 = Interrupt cleared
6	MPI7	M2P Channel 7 Interrupt 1 = Interrupt pending 0 = Interrupt cleared
5	MPI4	M2P Channel 4 Interrupt 1 = Interrupt pending 0 = Interrupt cleared

Table 10-7. GIR Fields (Cont'd)

BIT	NAME	DESCRIPTION
4	MPI5	M2P Channel 5 Interrupt 1 = Interrupt pending 0 = Interrupt cleared
3	MPI2	M2P Channel 2 Interrupt 1 = Interrupt pending 0 = Interrupt cleared
2	MPI3	M2P Channel 3 Interrupt 1 = Interrupt pending 0 = Interrupt cleared
1	MPI0	M2P Channel 0 Interrupt 1 = Interrupt pending 0 = Interrupt cleared
0	MPI1	M2P Channel 1 Interrupt 1 = Interrupt pending 0 = Interrupt cleared

10.2.2 Memory-to-Peripheral/Peripheral-to-Memory Channel Register Map

The DMA Memory Map in Table 10-2 includes the mapping for the channel registers for each of the 10 M2P/P2M channels that are shown in Table 10-8, the Channel Register Map. This mapping is identical for each DMA channel thus offset addresses from the bases in Table 10-2 are shown.

Table 10-8. Internal M2P/P2M Channel Register Map

ADDRESS OFFSET	NAME	DESCRIPTION
0x00	PCONTROL	Control Allows control of several DMA functions as well as enabling interrupts.
0x04	PINTERRUPT	Interrupt This register contains the status of the DMA interrupts, after ANDing with the enable bits in CONTROL.
0x08	PPALLOC	Peripheral Port Allocation Port definition and peripheral connections to the port are defined in this register.
0x0C	PSTATUS	Status The status of each interrupt, whether or not they are enabled, is contained in this register.
0x10	///	Reserved Do not access this location.
0x14	REMAIN	Bytes Remaining This register indicates the number of bytes remaining in the current DMA transfer.
0x18	///	Reserved Do not access this location.
0x1C	///	Reserved Do not access this location.
0x20	MAXCNT0	Maximum Byte Count for Buffer 0 This register specifies the maximum number of bytes to transfer to/from Buffer 0.
0x24	BASE0	Base Address 0 The address of the current and the next DMA transfer.
0x28	CURRENT0	Current Address 0 This register contains the beginning address of the current DMA transfer.
0x2C	///	Reserved Do not access this location.
0x30	MAXCNT1	Maximum Byte Count for Buffer 1 This register specifies the maximum number of bytes to transfer to/from Buffer 0.
0x34	BASE1	Base Address 1 The address of the current and the next DMA transfer.
0x38	CURRENT1	Current Address 1 This register contains the beginning address of the current DMA transfer.
0x3C	///	Reserved Do not access this location.

10.2.2.1 Control Register (PCONTROL)

The Control Register allows software to read and program the configuration of each DMA Channel. It is important that PCONTROL be read immediately after being written. This action allows the hardware state machines to complete transition and stabilize.

Each channel's PCONTROL register address is offset 0x00 from the channel's P2M/M2P base addresses, shown in Table 10-2.

Table 10-9. PCONTROL Registers

BIT	31	30	29	28	27	26	25	24	23	22	21	20	19	18	17	16	
FIELD	///																
RESET	0	0	0	0	0	0	0	0	0	0	0	0	0	0	0	0	
TYPE	RO	RO	RO	RO	RO	RO	RO	RO	RO	RO	RO	RO	RO	RO	RO	RO	
BIT	15	14	13	12	11	10	9	8	7	6	5	4	3	2	1	0	
FIELD	///										ICE	ABORT	ENABLE	CERRIEN	///	NFBIEN	STALLIEN
RESET	0	0	0	0	0	0	0	0	0	0	0	0	0	0	0	0	
TYPE	RO	RO	RO	RO	RO	RO	RO	RO	RO	RW	RW	RW	RW	RO	RW	RW	
ADDR	Channel Base + 0X00																

Table 10-10. PCONTROL Fields

BIT	NAME	DESCRIPTION
31:7	///	Reserved Reading returns 0. Write the reset value.
6	ICE	<p>Ignore Channel Error This bit causes the Channel Error Interrupt to be suppressed and does not result in Buffer termination. This bit can enable an increased data rate for data streams, where the application can tolerate occasional bit errors.</p> <p>1 = Ignore Channel Error; do not generate the Channel Error Interrupt 0 = Interrupt enabled and generated when Channel Error occurs</p>
5	ABORT	<p>Abort This bit determines how the DMA Channel State Machine behaves while in the NEXT state and in receipt of a peripheral error. This bit is ignored when the ICE bit is set.</p> <p>1 = Peripheral Error causes state transition from NEXT to STALL, effectively disabling the channel. No STALL Interrupt is set. 0 = Peripheral Error causes state transition from NEXT to ON, effectively ignoring the error.</p> <p>Note that this function can also be achieved using the ICE bit alone. If ICE = 1 and a peripheral error is received when the DMA is in the NEXT state, then the DMA will move to the ON state. If ICE = 0 and a peripheral error is received when the DMA is in the NEXT state, then the DMA will move to the STALL state.</p>

Table 10-10. PCONTROL Fields (Cont'd)

BIT	NAME	DESCRIPTION
4	ENABLE	<p>Enable Channel This bit enables the channel. When the channel is disabled, the remaining unpacker/packer data is discarded. The channel must always be enabled before writing the Base Address register.</p> <p>1 = Channel enabled 0 = Channel disabled</p>
3	CERRIEN	<p>Channel Error Interrupt Enable This bit enables the Channel Error Interrupt, which indicates that the buffer transfer occurred with an error.</p> <p>1 = Interrupt enabled 0 = Interrupt disabled</p>
2	///	<p>Reserved Reading returns 0. Write the reset value.</p>
1	NFBIEN	<p>Next Frame Buffer Interrupt Enable This bit enables generating an NFB (next frame buffer) interrupt in the ON State of the DMA Channel State Machine. Normally when the channel is enabled, this bit reads as 1. However, when the current buffer is the last buffer, this bit can be programmed to 0 to prevent generating an interrupt while the DMA State machine is in the ON State.</p> <p>1 = Interrupt enabled 0 = Interrupt disabled</p>
0	STALLIEN	<p>Stall Interrupt Enable This bit enables the STALL interrupt. The STALL interrupt is generated by the DMA State Machine when the Stall State is entered.</p> <p>1 = Interrupt enabled 0 = Interrupt disabled</p>

10.2.2.2 Interrupt Status Register (PINTERRUPT)

The status of each of the three DMA interrupts (if enabled) for each channel can be obtained by reading this register. Interrupts are enabled by programming the corresponding bits in the PCONTROL register.

Each channel's PINTERRUPT register address is offset 0x04 from the channel's base addresses, shown in Table 10-2.

Table 10-11. PINTERRUPT Register

BIT	31	30	29	28	27	26	25	24	23	22	21	20	19	18	17	16
FIELD	///															
RESET	0	0	0	0	0	0	0	0	0	0	0	0	0	0	0	0
TYPE	RO	RO	RO	RO	RO	RO	RO	RO	RO	RO	RO	RO	RO	RO	RO	RO
BIT	15	14	13	12	11	10	9	8	7	6	5	4	3	2	1	0
FIELD	///												CHEINT	///	NFBINT	STALLINT
RESET	0	0	0	0	0	0	0	0	0	0	0	0	See Table 10-17			
TYPE	RO	RO	RO	RO	RO	RO	RO	RO	RO	RO	RO	RO	RW	RO	RW	RW
ADDR	Channel Base + 0X04															

Table 10-12. PINTERRUPT Fields

BIT	NAME	DESCRIPTION
31:4	///	Reserved Reading returns 0. Write the reset value.
3	CHEINT	<p>Channel Error Interrupt This interrupt is generated when the peripheral attached to the DMA Channel detects an error in the data stream. The peripherals signal this error by ending the current transfer with a TxEnd/RxEnd Error Response. The interrupt is cleared by writing any value to this bit.</p> <p>1 = Interrupt pending 0 = No interrupt pending, or this interrupt is not enabled</p>
2	///	Reserved Reading returns 0. Write the reset value.
1	NFBINT	<p>Next Frame Buffer Interrupt An NFB (next frame buffer) Interrupt is generated in the ON State of the DMA Channel State Machine, indicating that the next frame buffer contents can be written. This interrupt is cleared by either:</p> <ol style="list-style-type: none"> Disabling the channel or writing a new base address, which moves the state machine to the ON state, or An 'end_buffer' condition, e.g. the DMA is in the ON state and the current buffer finishes with no other buffer programmed. In the last instance, the DMA goes to STALL state and the NFB interrupt is cleared. <p>1 = Interrupt pending 0 = No interrupt pending, or this interrupt is not enabled</p>
0	STALLINT	<p>Stall Interrupt This interrupt indicates that the channel has stalled. This interrupt is generated on a Channel State Machine transition from ON to STALL state. This is a critical interrupt as it indicates that an over/underflow condition will occur as soon as the peripheral's FIFO is full or empty. The interrupt is cleared by either disabling the channel or writing a new base address, which moves the state machine to the ON state.</p> <p>1 = Interrupt pending 0 = No interrupt pending, or this interrupt is not enabled</p>

10.2.2.3 Peripheral Port Allocation Register (PPALLOC)

The Peripheral Port Allocation register allows configuration of the internal M2P channel. Each channel can be uniquely assigned to one port, shown in Table 10-15 and Table 10-16.

DMA can accommodate 20 external peripherals — 10 Tx and 10 Rx — connected to the 20 ports of the DMA. The 10 internal M2P DMA channels can serve 10 of these ports at one time.

Two or more channels cannot be programmed to serve the same port. If software should attempt to program two or more channels to the same port, the lower channel number will be given priority. For example, if 0x01 was programmed to both Channel 0 and Channel 2 Tx PPALLOC[3:0], Channel 0 Tx will be configured for Port 0 and Channel 2 will not function correctly.

This register must be programmed prior to enabling the channel in the PCONTROL register. Otherwise, the default port allocation defined in Table 10-17 will be used.

Each channel's PPALLOC register address is offset 0x08 from the channel's base addresses, shown in Table 10-2.

Table 10-13. PPALLOC Register

BIT	31	30	29	28	27	26	25	24	23	22	21	20	19	18	17	16
FIELD	///															
RESET	0	0	0	0	0	0	0	0	0	0	0	0	0	0	0	0
TYPE	RO	RO	RO	RO	RO	RO	RO	RO	RO	RO	RO	RO	RO	RO	RO	RO
BIT	15	14	13	12	11	10	9	8	7	6	5	4	3	2	1	0
FIELD	///												PPALLOC			
RESET	0	0	0	0	0	0	0	0	0	0	0	0	See Table 10-17			
TYPE	RO	RO	RO	RO	RO	RO	RO	RO	RO	RO	RO	RO	RW	RW	RW	RW
ADDR	Channel Base + 0X08															

Table 10-14. PPALLOC Fields

BIT	NAME	DESCRIPTION
31:4	///	Reserved Reading returns 0. Write the reset value.
3:0	PPALLOC	Peripheral Port Allocation This field allows configuration and peripheral allocation for the 20 DMA channels. Refer to Table 10-15 through Table 10-17 for programming information.

Table 10-15. IPPALLOC Register Bits for Transmit Channels (0, 2, 4, 6, and 8)

PPALLOC[3:0]	PORT ALLOCATED	PERIPHERAL ALLOCATED
0000	PORT 0	USB Device Tx
0001	PORT 2	SD/MMC Tx
0010	PORT 4	AC97-1 Tx
0011	PORT 6	AC97-2 Tx
0100	PORT 8	AC97-3 Tx
0101	PORT 10	None
0110	PORT 12	UART1 Tx
0111	PORT 14	UART2 Tx
1000	PORT 16	UART3 Tx
1001	PORT 18	None
Other Values	Not Used	None

Table 10-16. PCONTROL Register PPALLOC Bits for Receive Channels (1, 3, 5, 7, 9)

PPALLOC[3:0]	PORT ALLOCATED	PERIPHERAL ALLOCATED
0000	PORT 1	USB Device Rx
0001	PORT 3	SD/MMC Rx
0010	PORT 5	AC97-1 Rx
0011	PORT 7	AC97-2 Rx
0100	PORT 9	AC97-3 Rx
0101	PORT 11	None
0110	PORT 13	UART1 Rx
0111	PORT 15	UART2 Rx
1000	PORT 17	UART3 Rx
1001	PORT 19	None
Other Values	Not Used	None

Table 10-17. PPALLOC Register Reset Values

M2P CHANNEL	PPALLOC[3:0]	DEFAULT PORT
0	0000	PORT 0
1	0000	PORT 1
2	0001	PORT 2
3	0001	PORT 3
4	0010	PORT 4
5	0010	PORT 5
6	0011	PORT 6
7	0011	PORT 7
8	0100	PORT 8
9	0100	PORT 9

10.2.2.4 Channel Status Register (PSTATUS)

This is the channel status register, which provides status information with respect to the DMA channel. This register also provides the raw (unmasked) status of the interrupts.

Each channel's PSTATUS register address is offset 0x0C from the channel's base addresses, shown in Table 10-2.

Table 10-18. PSTATUS Register

BIT	31	30	29	28	27	26	25	24	23	22	21	20	19	18	17	16
FIELD	///															
RESET	0	0	0	0	0	0	0	0	0	0	0	0	0	0	0	0
TYPE	RO	RO	RO	RO	RO	RO	RO	RO	RO	RO	RO	RO	RO	RO	RO	RO
BIT	15	14	13	12	11	10	9	8	7	6	5	4	3	2	1	0
FIELD	///				BYTES					NEXTBUF	CURRSTATE	CHERRINT	///	NFBRRINT	STALLRINT	
RESET	0	0	0	0	0	0	0	0	0	0	0	0	0	0	0	0
TYPE	RO	RO	RO	RO	RO	RO	RO	RO	RO	RO	RO	RO	RO	RO	RO	RO
ADDR	Channel Base + 0X0C															

Table 10-19. PSTATUS Fields

BIT	NAME	DESCRIPTION
31:12	///	Reserved Reading returns 0. Write the reset value.
11:7	BYTES	Data Bytes This field contains the number of valid DMA data bytes currently stored by the channel in the packer or unpacker. This field is usually used for test and debug.
6	NEXTBUF	<p>Next Buffer This field supplies the NFB service routine, following an NFB interrupt, which pair of BASEx/MAXCOUNTx registers is free for updating.</p> <p>0 = Update MAXCNT0/BASE0 1 = Update MAXCNT1/BASE1</p> <p>This bit is set to 1 when a write occurs to BASE0, and is reset to 0 when a write occurs to BASE1. This bit alone cannot be used to determine which of the two buffers is currently being accessed. For example, if BASE0 is written to, NEXTBUF is set to 1 and transfers will occur using Buffer0. If, during this transfer BASE1 gets written to, NextBuffer gets reset to 0, but the current transfer continues using Buffer0 until it terminates. Then the DMA switches to using BUFFER1. At that time, the NFB Interrupt is generated and software reads the NEXTBUF status bit to determine what buffer descriptor is now free for update; in the example case, it is Buffer0. The NEXTBUF status bit can be used in conjunction with the CurrentState status bits to determine the active buffer.</p> <p>If CurrentState = DMA_ON and NEXTBUF = 1, BUFFER0 is active. If CurrentState = DMA_ON and NEXTBUF = 0, BUFFER1 is active. If CurrentState = DMA_NEXT and NEXTBUF = 0, BUFFER0 is active. If CurrentState = DMA_NEXT and NEXTBUF = 1, BUFFER1 is active.</p>

Table 10-19. PSTATUS Fields

BIT	NAME	DESCRIPTION
5:4	CURRSTATE	<p>Current State Contains current state of the Channel State Machine:</p> <p>00 = IDLE 01 = STALL 10 = ON 11 = NEXT</p>
3	CHERINT	<p>Channel Error Raw Interrupt Indicates the raw (without regard to the enable bit in PCONTROL) status of the CHEINT:</p> <p>1 = Interrupt pending 0 = No interrupt pending</p>
2	///	<p>Reserved Reading returns 0. Write the reset value.</p>
1	NFBRINT	<p>Next Frame Buffer Raw Interrupt This interrupt indicates the Channel State Machine has moved from the NEXT State to the ON State. This means that the channel is currently transferring data from a DMA buffer, but the base address for the next buffer in the transfer has not been programmed, and can now be.</p> <p>1 = NFB Interrupt asserted; in the ON State, ready for next buffer BASE/ MAXCOUNT updates 0 = No interrupt; not in the ON State, not ready for next buffer update</p>
0	STALLRINT	<p>STALL Raw Interrupt This interrupt indicates channel is stalled and cannot currently transfer data because a base address STALLRINT not been programmed. When the channel is first enabled, the STALL bit is suppressed until the first buffer has been transferred; i.e. no stall interrupt generated when STALL state entered from IDLE state, only when entered from ON State.</p> <p>The STALL state can be cleared by writing a base address or disabling the DMA channel. The reason for channel completion can be ascertained by reading the BYTES_REMAINING register. A zero indicates that the channel was stopped by the DMA Controller. If it is non-zero, the peripheral ended transfer with TxEnd/ RxEnd. If the transfer ended with error, ChError interrupt is set.</p> <p>1 = Interrupt pending 0 = No interrupt pending</p>

10.2.2.5 Bytes Remaining Register (REMAIN)

The Bytes Remaining Register contains the number of bytes remaining in the current DMA transfer. Only the lower 16 bits are valid.

Each channel's REMAIN register address is offset 0x14 from the channel's base addresses, shown in Table 10-2.

Table 10-20. REMAIN Register

BIT	31	30	29	28	27	26	25	24	23	22	21	20	19	18	17	16
FIELD	///															
RESET	0	0	0	0	0	0	0	0	0	0	0	0	0	0	0	0
TYPE	RO	RO	RO	RO	RO	RO	RO	RO	RO	RO	RO	RO	RO	RO	RO	RO
BIT	15	14	13	12	11	10	9	8	7	6	5	4	3	2	1	0
FIELD	REMAIN															
RESET	0	0	0	0	0	0	0	0	0	0	0	0	0	0	0	0
TYPE	RO	RO	RO	RO	RO	RO	RO	RO	RO	RO	RO	RO	RO	RO	RO	RO
ADDR	Channel Base + 0X14															

Table 10-21. REMAIN Fields

BIT	NAME	DESCRIPTION
31:16	///	Reserved Reading returns 0. Write the reset value.
15:0	REMAIN	Bytes Remaining in Current Transfer This value is loaded from the Channel MAXCNT register when the DMA Channel State Machine enters the ON State. The DMA State Machine counts down one byte each time a byte is transferred between the DMA Controller and the Peripheral. When this register reaches zero, the current buffer transfer is complete and the TxTC/RxTC are generated and used to indicate this to the peripheral. DMA transfers may also be stopped with the TxEnd/RxEnd signals from the peripheral, whereby the REMAIN register is non-zero at the end of transfer requiring software to determine the last valid data in a buffer.

10.2.2.6 Maximum Buffer Count Register (MAXCNT0 and MAXCNT1)

Each channel has two Maximum Buffer Count Registers: MAXCNT0 and MAXCNT1. Each Buffer Descriptor allows a channel double buffering scheme by containing programming for two buffers i.e. two system buffer base addresses and two buffer byte counts. This ensures that there is always one free buffer available for transfers to avoid potential data overflow or underflow due to software-introduced latency.

Each channel's MAXCNT0 register address is offset 0x20 from the channel's base address and the MAXCNT1 register address is offset 0x30 from the channel's base addresses, shown in Table 10-2.

Table 10-22. MAXCNTx Registers

BIT	31	30	29	28	27	26	25	24	23	22	21	20	19	18	17	16
FIELD	///															
RESET	0	0	0	0	0	0	0	0	0	0	0	0	0	0	0	0
TYPE	RO	RO	RO	RO	RO	RO	RO	RO	RO	RO	RO	RO	RO	RO	RO	RO
BIT	15	14	13	12	11	10	9	8	7	6	5	4	3	2	1	0
FIELD	MAXCNT															
RESET	0	0	0	0	0	0	0	0	0	0	0	0	0	0	0	0
TYPE	RO	RO	RO	RO	RO	RO	RO	RO	RO	RO	RO	RO	RO	RO	RO	RO
ADDR	MAXCNT0 = Channel Base + 0X20 MAXCNT1 = Channel Base + 0X30															

Table 10-23. MAXCNTx Fields

BIT	NAME	DESCRIPTION
31:16	///	Reserved Reading returns 0. Write the reset value.
15:0	MAXCNT	Maximum Count This field is programmed by software with the maximum byte count for the buffer, with two buffers per channel. Only the low-order 16 bits are used. Each MAXCNTx register must be programmed prior to its corresponding BASEx register.

10.2.2.7 Base Address Registers (BASE0 and BASE1)

The Base Address Registers contain the address for the current DMA transfer, and the next DMA transfer.

Each channel's BASE0 register address is offset 0x24 from the channel's base address; each channel's BASE1 register address is offset 0x34 from the channel's base addresses, shown in Table 10-2.

Table 10-24. BASEx Registers

BIT	31	30	29	28	27	26	25	24	23	22	21	20	19	18	17	16
FIELD	BASEADDR															
RESET	0	0	0	0	0	0	0	0	0	0	0	0	0	0	0	0
TYPE	RW	RW	RW	RW	RW	RW	RW	RW	RW	RW	RW	RW	RW	RW	RW	RW
BIT	15	14	13	12	11	10	9	8	7	6	5	4	3	2	1	0
FIELD	BASEADDR															
RESET	0	0	0	0	0	0	0	0	0	0	0	0	0	0	0	0
TYPE	RW	RW	RW	RW	RW	RW	RW	RW	RW	RW	RW	RW	RW	RW	RW	RW
ADDR	BASE0 = Channel Base + 0X24 BASE1 = Channel Base + 0X34															

Table 10-25. BASEx Fields

BIT	NAME	DESCRIPTION
31:0	BASEADDR	Base Address This register contains the base address for the current and next DMA transfer. The BASEADDR should be loaded with the start address after enabling the DMA Channel. Concluding the current DMA transfer moves the Channel State Machine to the ON State. The conclusion of the next DMA transfer moves the Channel State Machine into the STALL state.

10.2.2.8 Current Address Registers (CURRENT0 and CURRENT1)

The Current registers contain the address from which the current DMA transfer began.

Each channel's CURRENT0 register address is offset 0x28 from the channel's base address; each channel's CURRENT1 register address is offset 0x38 from the channel's base addresses, shown in Table 10-2.

Table 10-26. CURRENTx Registers

BIT	31	30	29	28	27	26	25	24	23	22	21	20	19	18	17	16
FIELD	CURRENTADDR															
RESET	0	0	0	0	0	0	0	0	0	0	0	0	0	0	0	0
TYPE	RW	RW	RW	RW	RW	RW	RW	RW	RW	RW	RW	RW	RW	RW	RW	RW
BIT	15	14	13	12	11	10	9	8	7	6	5	4	3	2	1	0
FIELD	CURRENTADDR															
RESET	0	0	0	0	0	0	0	0	0	0	0	0	0	0	0	0
TYPE	RW	RW	RW	RW	RW	RW	RW	RW	RW	RW	RW	RW	RW	RW	RW	RW
ADDR	CURRENT0 = Channel Base + 0X28 CURRENT1 = Channel Base + 0X38															

Table 10-27. CURRENTx Fields

BIT	NAME	DESCRIPTION
31:0	CURRENTADDR	Current Address This value is the beginning address of the current DMA transfer. Upon enabling the DMA Channel and writing the BASEx Address Register, the contents of this register are loaded into the CURRENTx register and the x buffer becomes active. Following completion of a transfer from a buffer, the post-incremented address is stored in this register so that a software service routine can detect the point in the buffer at which the transfer was terminated.

10.2.3 Memory-to-Memory Channel Register Map

The DMA Memory Map defines the mapping for the channel registers for the two M2M channels, shown in Table 10-28. This mapping is common for both channels, thus the offset from the Channel M2M Base Addresses are shown.

Note that M2M Channel 0 is dedicated to servicing External Peripheral 0 and M2M Channel 1 is dedicated to servicing External Peripheral 1.

Table 10-28. M2M Channel Register Map

ADDRESS OFFSET	NAME	DESCRIPTION
0x00	MCONTROL	Control Register Allows configuration of the M2M Channel
0x04	MINTERRUPT	Interrupt Register Contains masked state of the M2M interrupts
0x08	///	Reserved Do not access this location
0x0C	MSTATUS	Status Register Contains M2M status
0x10	BCR0	Byte Count Register 0 Contains the number of bytes remaining in the current M2M transfer using Buffer0
0x14	BCR1	Byte Count Register 1 Contains the number of bytes remaining in the current M2M transfer using Buffer1
0x18	SAR_BASE0	Source Base Address Register 0 Contents have the base address for the source of the M2M data transfer
0x1C	SAR_BASE1	Source Base Address Register 1 Contents have the base address for the source of the M2M data transfer
0x20	///	Reserved Do not access this location
0x24	SAR_CURRENT0	Source Current Address Register 0 Contents have the address for the source of the M2M data transfer currently in progress
0x28	SAR_CURRENT1	Source Current Address Register 1 Contents have the address for the source of the M2M data transfer currently in progress
0x2C	DAR_BASE0	Destination Base Address Register 0 Contents have the base address for the destination of the M2M data transfer
0x30	DAR_BASE1	Destination Base Address Register 1 Contents have the base address for the destination of the M2M data transfer
0x34	DAR_CURRENT0	Destination Current Address Register 0 Contents have the address for the destination of the M2M data transfer currently in progress
0x38	///	Reserved Do not access this location
0x3C	DAR_CURRENT1	Destination Current Address Register 1 Contents have the address for the destination of the M2M data transfer currently in progress

Table 10-29. M2M Channel Register Base Addresses

Base Address	Register
0x8000.2900	M2M Channel 0 Registers
0x8000.2940	M2M Channel 1 Registers

10.2.3.1 Control Register (MCONTROL)

The MCONTROL register allows configuration of the DMA M2M Channel. All control bits must be programmed *before* the ENABLE bit is set.

The MCONTROL register address is offset 0x00 from the channel's M2M Base Addresses, shown in Table 10-29.

Table 10-30. MCONTROL Register

BIT	31	30	29	28	27	26	25	24	23	22	21	20	19	18	17	16
FIELD	///										NFBIE	DREQP		DACKP		ETDP
RESET	0	0	0	0	0	0	0	0	0	0	0	0	0	0	0	0
TYPE	RO	RO	RO	RO	RO	RO	RO	RO	RO	RO	RW	RW	RW	RW	RW	RW
BIT	15	14	13	12	11	10	9	8	7	6	5	4	3	2	1	0
FIELD	ETDP	TM		SAH	DAH	PW		BWC				START	ENABLE	DONEIE	SCT	STALLIE
RESET	0	0	0	0	0	0	0	0	0	0	0	0	0	0	0	0
TYPE	RW	RW	RW	RW	RW	RW	RW	RW	RW	RW	RW	RW	RW	RW	RW	RW
ADDR	M2M Channel Base + 0X00															

Table 10-31. MCONTROL Fields

BIT	NAME	DESCRIPTION
31:22	///	Reserved Reading returns 0. Write the reset value.
21	NFBIE	Next Frame Buffer Interrupt Enable Normally when the channel is enabled, this bit should be 1. However if the current buffer is the last buffer of data in the transfer, this bit can be cleared to prevent the generation of an interrupt while the DMA State machine is in the DMA_BUF_ON state. 1 = Interrupt enabled 0 = Interrupt disabled
20:19	DREQP	DMA Request Pin Polarity This field must be set before the channel's ENABLE bit is set. Otherwise, the reset value (00) will configure the DMA for an active LOW, level sensitive DREQ. 00 = DREQ is active LOW, level sensitive (Reset value) 01 = DREQ is active HIGH, level sensitive 10 = DREQ is active LOW, edge sensitive 11 = DREQ is active HIGH, edge sensitive
18:17	DACKP	DMA Acknowledge Pin Polarity The polarity of the DACK signal is selected via this field. If the ENABLE bit is set before programming this field (or if 00 or 01 is programmed), the DACK pin will be tristated and the DACK function disabled. 00 = Tristate 01 = Tristate 10 = DACK is active LOW 11 = DACK is active HIGH

Table 10-31. MCONTROL Fields (Cont'd)

BIT	NAME	DESCRIPTION
16:15	ETDP	<p>End-of-Transfer/Terminal Count Pin Direction and Polarity</p> <p>00 = DEOT/TC pin is active LOW end-of-transfer input 01 = DEOT/TC pin is active HIGH end-of-transfer input 10 = DEOT/TC pin is active LOW terminal count output 11 = DEOT/TC pin is active HIGH terminal count output</p>
14:13	TM	<p>Transfer Mode</p> <p>00 = Software initiated M2M transfer 01 = Hardware initiated external M2P transfer 10 = Hardware initiated external P2M transfer 11 = Invalid</p>
12	SAH	<p>Source Address Hold This bit is used for external P2M transfers where the external memory source is a memory-mapped, FIFO-based peripheral (with one address location). SAH is ignored for software triggered M2M transfers.</p> <p>1 = Hold source address throughout the transfer (no increment) 0 = Increment source address after each transfer in the transaction</p>
11	DAH	<p>Destination Address Hold This bit is used for external M2P transfers where the external memory destination is a memory-mapped FIFO-based peripheral (with one address location). It is ignored for software triggered M2M transfers.</p> <p>1 = Hold destination address throughout transfer (no increment) 0 = Increment destination address after each transfer</p>
10:9	PW	<p>Peripheral Width For external M2P/P2M transfers, these bits are used to program the DMA Controller to request byte/halfword/word wide AHB transfers, depending on the width of the external peripheral. These bits are not used for software-triggered M2M transfers.</p> <p>00 = Byte (8 bits) 01 = Halfword (16 bits) 10 = Word (32 bits) 11 = Not used</p> <p>The source/destination address must be aligned with the PW setting. For example, if the PW bits are set to a word, then the source/ destination address must be word-aligned.</p>
8:5	BWC	<p>Bandwidth Control This field contains the number of bytes in a block transfer. When the BCR register value is within 15 bytes of a multiple of the BWC value, the DMA releases the bus by negating the AHB bus request strobe allowing lower priority masters to be granted control of the bus. BWC = 0000 specifies the maximum transfer rate: other values specify a transfer rate limit.</p> <p>Table 10-32 defines the BWC field values. The BWC field should only be set for software triggered M2M transfers, where HREQ stays asserted throughout the transfer. For transfer to/from external peripherals, HREQ is released after every transfer, so bandwidth control is not needed.</p> <p>The BWC bits are ignored when in external M2P/P2M transfer mode. Example: if BWC = 1010 (1024 bytes), the DMA relinquishes control of the bus on completion of the current burst transfer after BCR values which are within 15 bytes of multiples of 1024.</p> <p>When MCONTROL:SCT=1, BWC cannot be 0x0 and the BCRx register must be a multiple of BWC.</p>

Table 10-31. MCONTROL Fields (Cont'd)

BIT	NAME	DESCRIPTION
4	START	<p>Start Transfer When programmed to 1, the DMA begins M2M transfer in accordance with the values in the control registers. START is automatically cleared after one clock cycle and is always read as 0. This bit provides a software-triggered DMA capability. At least one channel must be configured and enabled before setting the START bit. This bit is not used for external M2P/P2M transfers.</p> <p>For a double-buffer software-triggered DMA transfer, the START bit need only be set once, at the beginning of the transfer. It is sufficient for software to program the 'other' buffer descriptor only in order to guarantee roll-over to the second buffer when the byte count of the first buffer has been reached.</p>
3	ENABLE	<p>Enable This bit enables and disables the DMA. The channel must always be enabled <i>after</i> writing the Source/Destination Base address registers and the BCR register. When a channel is disabled the external peripheral signals will be placed in their inactive state.</p> <p>1 = Enabled 0 = Disabled</p>
2	DONIEIE	<p>DONE Interrupt Enable This bit enables the generation of the DONE Interrupt which indicates if the transfer completed successfully.</p> <p>1 = Enabled 0 = Disabled</p>
1	SCT	<p>Source Copy Transfer This bit is used to set up a block transfer from a single memory source location. To use this feature, the SAR_BASEx and DAR_BASEx registers must contain word-aligned addresses; the DMA will ignore the two least-significant-bits of the source and destination addresses to avoid any problems in the case where software erroneously programs a byte-aligned address. The SCT bit is used only when in M2M software triggered transfer mode.</p> <p>When SCT=1, MCONTROL:BWC cannot be 0x0 and the BCRx register must be a multiple of MCONTROL:BWC.</p> <p>1 = One word is read from the source memory location and copied to a block of memory (the number of destination locations written is determined by BCR) 0 = The source address increments normally after each successful transfer as determined by the transfer size.</p>
0	STALLIE	<p>STALL Interrupt Enable This enables generation of the STALL interrupt in the STALL State of the DMA Channel State Machine.</p> <p>1 = Enabled 0 = Disabled</p>

Table 10-32. BWC Values

BWC	BYTES
0000	Full DMA transfer completes
0001	16
0010	16
0011	16
0100	16
0101	32
0110	64
0111	128
1000	256
1001	512
1010	1,024
1011	2,048
1100	4,096
1101	8,192
1110	16,384
1111	32,768

10.2.3.2 Interrupt Status Register (MINTERRUPT)

The status of each of the three DMA interrupts (if enabled) for each channel can be obtained by reading this register. Interrupts are enabled by programming the corresponding bits in the MCONTROL register.

Each channel's MINTERRUPT register address is offset 0x04 from the channel's Base Address, shown in Table 10-29.

Table 10-33. MINTERRUPT Register

BIT	31	30	29	28	27	26	25	24	23	22	21	20	19	18	17	16
FIELD	///															
RESET	0	0	0	0	0	0	0	0	0	0	0	0	0	0	0	0
TYPE	RO	RO	RO	RO	RO	RO	RO	RO	RO	RO	RO	RO	RO	RO	RO	RO
BIT	15	14	13	12	11	10	9	8	7	6	5	4	3	2	1	0
FIELD	///													NFBINT	DONEINT	STALLINT
RESET	0	0	0	0	0	0	0	0	0	0	0	0	0	0	0	0
TYPE	RO	RO	RO	RO	RO	RO	RO	RO	RO	RO	RO	RO	RO	RW	RW	RW
ADDR	M2M Channel Base + 0X04															

Table 10-34. MINTERRUPT Fields

BIT	NAME	DESCRIPTION
31:3	///	Reserved Reading returns 0. Write the reset value.
2	NFBINT	<p>Next Frame Buffer Interrupt Indicates that a channel's buffer descriptor is free for update. This interrupt is generated when a transfer begins using the second buffer of the double-buffer set, thus informing software that it can now program the 'other' buffer. The interrupt is cleared by either disabling the channel or writing a new BCR value to set up a new buffer descriptor. The interrupt is not generated for a single-buffer transfer. In software triggered M2M mode, servicing of the NFB interrupt is dependent on the system level AHB arbitration since the DMA's HREQ (AHB request) may be continuously held HIGH.</p> <p>The interrupt status bit (MSTATUS:NFB) is cleared when the second buffer transfer ends. The interrupt service routine or register polling must be executed before the second buffer transfer ends. If the ratio (BCR/BWC) is too small, software may not have a chance to access the bus before the second buffer transfer ends.</p> <p>1 = Interrupt pending 0 = No interrupt pending, or this interrupt is not enabled</p>
1	DONEINT	<p>Transaction Done Interrupt When enabled, this interrupt occurs when all DMA controller transactions complete normally, as determined by the transfer count/external peripheral DEOT signal. When a transfer completes, software must clear DONEINT before reprogramming the DMA, by writing any value to this bit, even if the DMA interrupt is disabled. The DMA will ignore any more DREQs that it receives from the external peripheral (if operating in external peripheral mode) until software clears the DONEINT and reprograms the DMA with new BCRx values.</p>
0	STALLINT	<p>Stall Interrupt This bit indicates that the channel has stalled. This interrupt is generated upon a Channel State Machine transition from MEM_RD (memory read) or MEM_WR (memory write) to the STALL state, assuming STALLIE is 1. The interrupt is cleared by either disabling the channel or by a new transfer being triggered.</p>

10.2.3.3 Channel Status Register (MSTATUS)

This is the channel status register, used to provide status information with respect to the DMA channel. All register bits are read-only except for the DREQS status bit which can be cleared by writing any value. The MSTATUS register address is offset 0x0C from the channel's M2M Base, shown in Table 10-29.

Important Programming Note: When the channel is being used for the first time or when the DREQP field is modified, the DREQS bit must be cleared, by writing the MSTATUS register, before enabling the channel.

Table 10-35. MSTATUS Register

BIT	31	30	29	28	27	26	25	24	23	22	21	20	19	18	17	16
FIELD	///															
RESET	0	0	0	0	0	0	0	0	0	0	0	0	0	0	0	0
TYPE	RO	RO	RO	RO	RO	RO	RO	RO	RO	RO	RO	RO	RO	RO	RO	RO
BIT	15	14	13	12	11	10	9	8	7	6	5	4	3	2	1	0
FIELD	///		DREQS	NB	NFB	EOTS		TCS		DONE	CS				STALL	
RESET	0	0	0	0	0	0	0	0	0	0	0	0	0	0	0	0
TYPE	RO	RO	RW	RO	RO	RO	RO	RO	RO	RO	RO	RO	RO	RO	RO	RO
ADDR	M2M Channel Base + 0X0C															

Table 10-36. MSTATUS Fields

BIT	NAME	DESCRIPTION
31:14	///	Reserved Reading returns 0. Write the reset value.
13	DREQS	<p>DMA Request Status This bit reflects the status of the synchronized external peripheral's DMA Request signal (DREQ).</p> <p>0 = No external peripheral DMA request is pending. 1 = An external peripheral DMA request is pending.</p> <p>DREQS can be polled by software at any time. It can, for example, be used to determine whether or not the DMA needs to be set up for a transfer when the DMA is in the STALL state and is receiving DREQs, but the BCRx registers have not been programmed. Programming the channel MSTATUS register with any 32-bit value clears the DREQS bit. A write to the MSTATUS register <i>only</i> affects the DREQS bit. If an edge is detected on DREQ, when no previous request is still pending in the DMA (i.e. DREQS clear), the DREQS bit is set to 1 by the DMA to indicate that the external peripheral has requested service. The MSTATUS register must be written to by software to clear the DREQS status bit, thus causing the DMA to ignore the request.</p> <p>When the channel is being used for the first time, or when the DREQP field is modified, clearing the DREQS bit is required (by writing the MSTATUS register) before enabling the channel.</p> <p>A write to the MSTATUS register has no effect when in level-sensitive mode, as the DREQS bit would be constantly set and reset.</p>

Table 10-36. MSTATUS Fields (Cont'd)

BIT	NAME	DESCRIPTION
12	NB	<p>Next Buffer Status This bit is read by the NFB service routine, after a NFB interrupt, to determine which pair of SAR_BASEx/DAR_BASEx/BCRx registers is free for update.</p> <p>1 = Update SAR_BASE1/DAR_BASE1/BCR1 0 = Update SAR_BASE0/DAR_BASE0/BCR0</p> <p>The NextBuffer bit is 1 when a Write occurs to BCR0, and 0 when a Write occurs to BCR1. This bit alone cannot be used to determine which of the two buffers is currently active. For example if BCR0 is written to, then Next Buffer gets set to 1 and transfers will occur using Buffer0. If, during this transfer, BCR1 is programmed, Next Buffer gets changed to 0, but the current transfer continues using Buffer0 until it terminates. Then the DMA switches to Buffer1, at which time the NFB interrupt is generated and software reads the Next Buffer status bit to determine which buffer descriptor is now free for update.</p> <p>The Next Buffer status bit should be used in conjunction with the CS status bits to determine the active buffer.</p> <p>If CS[5:4] = DMA_BUF_ON and NB = 1, Buffer0 is active. If CS[5:4] = DMA_BUF_ON and NB = 0, Buffer1 is active. If CS[5:4] = DMA_BUF_NEXT and NB = 0, Buffer0 is active. If CS[5:4] = DMA_BUF_NEXT and NB = 1, Buffer1 is active.</p>
11	NFB	<p>Next Frame Buffer This interrupt is generated when the DMA Buffer state machine moves from the DMA_BUF_NEXT state to the DMA_BUF_ON state, i.e. when transfer begins using the second buffer of the double-buffer pair. For a double-buffer transfer, both BCR registers must be programmed before the NFB status bit can be used to determine when the next BCR register should be programmed.</p> <p>This bit is cleared when the second buffer transfer ends. The interrupt service routine or register polling must be executed before the second buffer transfer ends. If the ratio (BCR/BWC) is too small, software may not have a chance to access the bus before the second buffer transfer ends.</p> <p>1 = The channel is currently transferring data from a DMA buffer but the BCR for the next buffer in the transfer has not been programmed, and may now be. NFB interrupt generated. 0 = Not ready for next buffer update.</p>
10:9	EOTS	<p>End-Of-Transfer This bit is valid only if the DEOT/TC pin has been programmed for the DEOT function.</p> <p>00 = End of transfer has not been requested by external peripheral for either buffer descriptor 01 = End of transfer has been requested by external peripheral for buffer descriptor 0 only 10 = End of transfer has been requested by external peripheral for buffer descriptor 1 only 11 = End of transfer has been requested by external peripheral for both buffer descriptors</p>
8:7	TCS	<p>Terminal Count Status This field indicates whether or not the actual byte count has reached the programmed limit for buffer descriptor 1 or 0 respectively. Programming the BCR register of that buffer descriptor clears the TCS field.</p> <p>00 = TC has not been reached for either buffer descriptor 1 or 0 01 = TC has been reached for buffer 0 and not buffer 1 10 = TC has been reached for buffer 1 and not buffer 0 11 = TC has been reached for both buffer descriptors</p>

Table 10-36. MSTATUS Fields (Cont'd)

BIT	NAME	DESCRIPTION
6	DONE	<p>Transfer Done Transfer has completed successfully. The transfer is terminated on either DEOT being asserted by the peripheral or the byte count expiring, whichever is first. When a transfer completes, software must clear the DONE status bit before reprogramming the DMA by writing either a '0' or '1' to the MINTERRUPT:DONEINT bit. The DMA ignores all DREQs from the external peripheral (if operating in external peripheral mode) until software clears the DONEINT bit and reprograms the DMA with new BCRx values, even if the DMA interrupt is disabled.</p> <p>1 = Transfer done 0 = Transfer not done (or not in progress)</p>
5:1	CS	<p>Current State Indicates the current states that the M2M Channel Control State Machine and M2M Buffer State Machine. The CS of the Channel Control State Machine is contained in bits [3:1], and the Buffer State Machine CS is contained in bits [5:4].</p> <p>Bits [5:4] — State of Buffer State Machine 00 = DMA_NO_BUF 01 = DMA_BUF_ON 10 = DMA_BUF_NEXT 11 = Invalid</p> <p>Bits [3:1] — State of Channel Control State Machine 000 = DMA_IDLE 001 = DMA_STALL 010 = DMA_MEM_RD 011 = DMA_MEM_WR 100 = DMA_BWC_WAIT All other values = Invalid</p>
0	STALL	<p>STALL Raw Interrupt When the channel is first enabled, the STALL bit is suppressed until the first buffer has been transferred i.e. no stall interrupt generated when STALL state entered from IDLE state, only when entered from MEM_WR State. The STALL interrupt can be cleared by setting the START bit or by an external peripheral requesting service (depending on transfer mode) or by disabling the DMA channel.</p> <p>1 = Channel is stalled and cannot currently transfer data because the START bit has not been programmed, or an external peripheral has not asserted DREQ 0 = No interrupt asserted</p>

10.2.3.4 Byte Count Remaining Registers (BCRx)

The Channel Bytes Count Remaining Register contains the number of bytes yet to be transferred for a given block of data in an M2M transfer. Only the lower 16 bits are valid.

When MCONTROL:SCT=1, MCONTROL:BWC cannot be 0x0 and the BCRx register must be a multiple of MCONTROL:BWC.

The BCR0 register address is offset 0x10 from the channel's M2M Base Address, and BCR1 is offset 0x14. Base Addresses are shown in Table 10-29.

Table 10-37. BCRx Registers

BIT	31	30	29	28	27	26	25	24	23	22	21	20	19	18	17	16
FIELD	///															
RESET	0	0	0	0	0	0	0	0	0	0	0	0	0	0	0	0
TYPE	RO	RO	RO	RO	RO	RO	RO	RO	RO	RO	RO	RO	RO	RO	RO	RO
BIT	15	14	13	12	11	10	9	8	7	6	5	4	3	2	1	0
FIELD	BCOUNT															
RESET	0	0	0	0	0	0	0	0	0	0	0	0	0	0	0	0
TYPE	RW	RW	RW	RW	RW	RW	RW	RW	RW	RW	RW	RW	RW	RW	RW	RW
ADDR	BCR0 = M2M Channel Base + 0X10 BCR1 = M2M Channel Base + 0X14															

Table 10-38. BCRx Fields

BIT	NAME	DESCRIPTION
31:16	///	Reserved Reading returns 0. Write the reset value.
15:0	BCOUNT	<p>Byte Count Remaining The BCR register must be loaded with the number of byte to be transferred. The count decrements on the successful completion of the address transfer during the write-to-memory state of the M2M transfer. At least one of the BCRx registers must be programmed to a non-zero value before the MCONTROL:ENABLE bit and the MCONTROL:START bit (in the case of software triggering M2M mode) are programmed. Writing to a BCRx register causes a NEXTBUFFER update, i.e. only the BCR of the buffer descriptor has to be written to use that buffer; the SAR_BASEx and DAR_BASEx registers do not have to be continually updated. When transferring to an external peripheral, the value of BCOUNT must be consistent with the Peripheral Width (MCONTROL:PW) setting. For instance, when transferring words BCR must be a multiple of 4.</p> <p>For a double/multiple buffer transfer, the second buffer descriptor can be programmed while the transfer using the first buffer is being carried out, thus improving software latency. The NFB interrupt is generated when transfer begins using the second buffer. The NFB interrupt service routine can then be used to update the free buffer descriptor.</p> <p>If BCRx = 0 when the transfer is triggered then NO transfers will occur i.e. the DMA will stay in the STALL state.</p> <p>The maximum number of bytes that can be transferred in a single transaction is 65,534.</p>

10.2.3.5 Source Address Base Registers (SAR_BASEx)

The SAR_BASEx registers are programmed with the base memory address from which the DMA controller requests data. At least one of the SAR_BASEx registers must be programmed to a non-zero value before the MCONTROL:ENABLE bit and the MCONTROL:START bit (in the case of software triggering M2M mode) are programmed. The second buffer descriptor can be programmed while the transfer using the first buffer is being carried out, thus improving software latency. When transferring from an external peripheral to memory, the SAR_BASEx will contain the base address of the memory mapped peripheral. When transferring from an external peripheral, SAR_BASEx must be aligned correctly with the peripheral width (MCONTROL:PW) setting.

SAR_BASE0 is offset 0x18 from the M2M base, and SAR_BASE1 is offset 0x1C. Base Addresses are shown in Table 10-29.

Table 10-39. SAR_BASEx Registers

BIT	31	30	29	28	27	26	25	24	23	22	21	20	19	18	17	16
FIELD	SAB															
RESET	0	0	0	0	0	0	0	0	0	0	0	0	0	0	0	0
TYPE	RW	RW	RW	RW	RW	RW	RW	RW	RW	RW	RW	RW	RW	RW	RW	RW
BIT	15	14	13	12	11	10	9	8	7	6	5	4	3	2	1	0
FIELD	SAB															
RESET	0	0	0	0	0	0	0	0	0	0	0	0	0	0	0	0
TYPE	RW	RW	RW	RW	RW	RW	RW	RW	RW	RW	RW	RW	RW	RW	RW	RW
ADDR	SAR_BASE0 = M2M Channel Base + 0X18 SAR_BASE1 = M2M Channel Base + 0X1C															

Table 10-40. SAR_BASEx Fields

BIT	NAME	DESCRIPTION
31:0	SAB	Source Address Base This field contains the base memory address from which the DMA controller requests data.

10.2.3.6 Current Source Address Base Registers (SAR_CURRENTx)

The SAR_CURRENTx registers contain the value of the Channel Source Address Pointer. Upon programming the BCRx register, the content of the SAR_BASEx register is loaded into the SAR_CURRENTx register and the 'x' buffer becomes active. Upon completion of a transfer from a buffer, the post-incremented address is stored in the SAR_CURRENTx register so that a software service routine can detect the point in the buffer at which transfer was terminated.

SAR_CURRENT0 is offset 0x24 from the M2M base, and SAR_CURRENT1 is offset 0x28 from the base. Base Addresses are shown in Table 10-29.

Table 10-41. SAR_CURRENTx Registers

BIT	31	30	29	28	27	26	25	24	23	22	21	20	19	18	17	16
FIELD	SARCUR															
RESET	0	0	0	0	0	0	0	0	0	0	0	0	0	0	0	0
TYPE	RO	RO	RO	RO	RO	RO	RO	RO	RO	RO	RO	RO	RO	RO	RO	RO
BIT	15	14	13	12	11	10	9	8	7	6	5	4	3	2	1	0
FIELD	SARCUR															
RESET	0	0	0	0	0	0	0	0	0	0	0	0	0	0	0	0
TYPE	RO	RO	RO	RO	RO	RO	RO	RO	RO	RO	RO	RO	RO	RO	RO	RO
ADDR	SAR_CURRENT0 = M2M Channel Base + 0X24 SAR_CURRENT1 = M2M Channel Base + 0X28															

Table 10-42. SAR_CURRENTx Fields

BIT	NAME	DESCRIPTION
31:0	SARCUR	Current Source Address Base Returns the current value of the channel source address pointer.

10.2.3.7 Destination Address Base Registers (DAR_BASEx)

These registers contain the Base Address for the destination of the DMA transfer. At least one of the DAR_BASEx registers must be programmed to a non-zero value before the MCONTROL:ENABLE bit and the MCONTROL:START bit (in the case of software triggering M2M mode) are programmed. The second buffer descriptor can be programmed while the transfer using the first buffer is being carried out, thus improving software latency. When transferring to an external peripheral to memory, the DAR_BASEx will contain the base address of the memory mapped peripheral. When transferring to an external peripheral, SAR_BASEx must be correctly aligned with the peripheral width (MCONTROL:PW) setting.

DAR_BASE0 is offset 0x2C from the M2M base, and DAR_BASE1 is offset 0x30 from the base. The Base Addresses are shown in Table 10-29.

Table 10-43. DAR_BASEx Registers

BIT	31	30	29	28	27	26	25	24	23	22	21	20	19	18	17	16
FIELD	DAB															
RESET	0	0	0	0	0	0	0	0	0	0	0	0	0	0	0	0
TYPE	RW	RW	RW	RW	RW	RW	RW	RW	RW	RW	RW	RW	RW	RW	RW	RW
BIT	15	14	13	12	11	10	9	8	7	6	5	4	3	2	1	0
FIELD	DAB															
RESET	0	0	0	0	0	0	0	0	0	0	0	0	0	0	0	0
TYPE	RW	RW	RW	RW	RW	RW	RW	RW	RW	RW	RW	RW	RW	RW	RW	RW
ADDR	DAR_BASE0 = M2M Channel Base + 0X2C DAR_BASE1 = M2M Channel Base + 0X30															

Table 10-44. DAR_BASEx Fields

BIT	NAME	DESCRIPTION
31:0	DAB	Destination Address Base This field contains the base memory address to which the DMA controller sends data.

10.2.3.8 Current Destination Address Base Register (DAR_CURRENTx)

The DAR_CURRENTx registers contain the value of the Channel Destination Address Pointer. This allows software to interrogate the register to determine the point in the buffer at which transfer terminated. Upon programming the BCRx register, the content of the DAR_BASEx register is loaded into the DAR_CURRENTx register and the 'x' buffer becomes active. Upon completion of a transfer from a buffer, the post-incremented address is stored in the DAR_CURRENTx register so that a software service routine can detect the point in the buffer at which transfer was terminated.

DAR_CURRENT0 is offset 0x34 from the M2M base, and DAR_CURRENT1 is offset 0x3C from the base. The Base Addresses are shown in Table 10-29.

Table 10-45. DAR_CURRENTx Registers

BIT	31	30	29	28	27	26	25	24	23	22	21	20	19	18	17	16
FIELD	DARCUR															
RESET	0	0	0	0	0	0	0	0	0	0	0	0	0	0	0	0
TYPE	RW	RW	RW	RW	RW	RW	RW	RW	RW	RW	RW	RW	RW	RW	RW	RW
BIT	15	14	13	12	11	10	9	8	7	6	5	4	3	2	1	0
FIELD	DARCUR															
RESET	0	0	0	0	0	0	0	0	0	0	0	0	0	0	0	0
TYPE	RW	RW	RW	RW	RW	RW	RW	RW	RW	RW	RW	RW	RW	RW	RW	RW
ADDR	DAR_CURRENT0 = M2M Channel Base + 0X34 DAR_CURRENT1 = M2M Channel Base + 0X3C															

Table 10-46. DAR_CURRENTx Fields

BIT	NAME	DESCRIPTION
31:0	DARCUR	Current Destination Address Base Returns the current value of the channel destination address pointer.

Chapter 11

Color LCD Controller

This chapter discusses the LH7A404 Color LCD Controller (CLCDC) and its Advanced LCD Interface Peripheral (ALI) for AD-TFT, HR-TFT panels, and any technology of panel compatible with this signal system. The ALI-specific description begins in section 11.3.1.

11.1 Introduction

The CLCDC provides all necessary control and data signals to interface the LH7A404 directly to a variety of color and monochrome LCD panels, including STN and TFT panels. The ALI modifies the CLCDC output to allow the LH7A404 to connect directly to the Row and Column driver chips on superthin panels, including AD-TFT, HR-TFT, or any panel that supports this method of connection. Figure 11-1 shows a simplified diagram of the two controllers connected to the AHB, to the APB, and to each other.

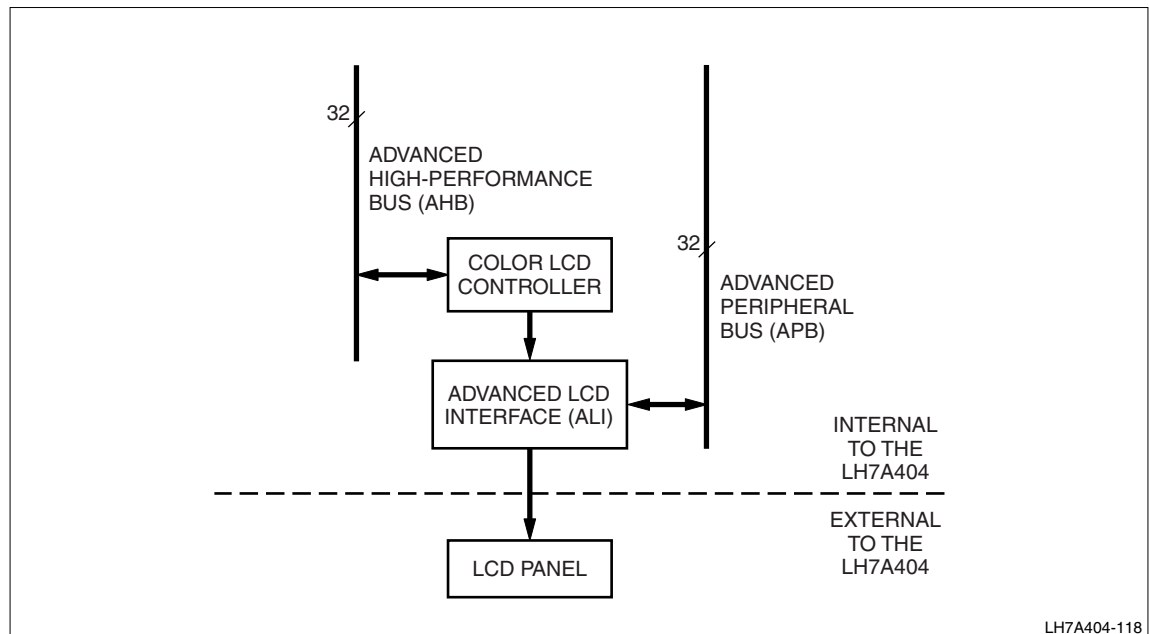


Figure 11-1. LCD Controller Block Diagram

11.1.1 LCD Panel Architecture

The CLCDC has an AHB slave interface to its registers and an AHB master interface for the LCD data. The ALI has an APB slave interface to its registers. Image data flows from the AHB, through the CLCDC and the ALI, to an external LCD panel. Although a particular LCD panel may not require the ALI, the ALI must be correctly programmed because all LCD data passes through it, even if it is set to bypass mode for STN and TFT applications.

Modern technology panels, including AD-TFT and HR-TFT panels, are thinner than ever. To achieve maximum space savings, they are manufactured without the large ASICs and DC-DC converter blocks built into STN and TFT panels. See Figure 11-2.

The ASIC in STN and TFT panels decodes input data into Row and Column information and builds the timing signals. It supplies this information to the panel's Row and Column driver chips to set the proper pixels at the proper intensity and at the proper times. The DC-DC converter runs the panel's power supplies and illuminator. Including these devices in STN and TFT panels, however, comes at the cost of bulk and weight.

The ALI eliminates the need for a separate timing ASIC, since it is able to drive the panel's Row and Column driver chips directly. The DC-DC conversion is also handled off-panel, by a separate device operating the panel's high voltage supplies and illuminator. The DC-DC conversion must be handled by a separate device, since the LH7A404 does not supply this function.

Unless the behavior is different, this User's Guide uses the term TFT to discuss all types of TFT panels whether the panel requires timing support from the ALI or not.

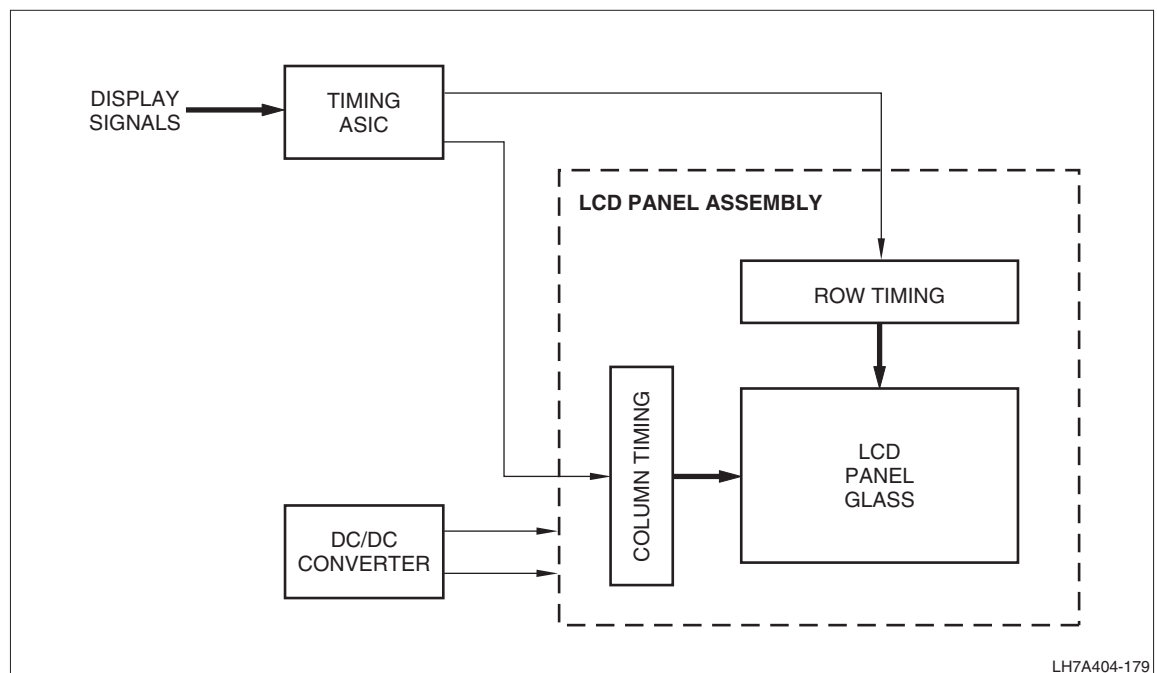


Figure 11-2. Block Diagram of a Typical Advanced LCD Panel

11.1.2 Features

The following parameters can be programmed in the CLCDC:

- Horizontal front and back porch width
- Horizontal synchronization pulse width
- Number of pixels per line
- Vertical front and back porch width
- Vertical synchronization pulse width
- Number of horizontal lines per panel
- Number of panel data clocks per line
- Programmable signal polarities, active HIGH or active LOW
- AC panel bias
- Panel data clock frequency (LCDDCLK)
- Bits-per-pixel
- Little-endian, big-endian, and WinCE™ data formatting
- Interrupt generation.

11.1.3 Theory of Operation

The CLCDC, shown in Figure 11-3, retrieves image data from a frame buffer, formats the data for the LCD panel, and writes it to the panel. The CLCDC also generates the control signals that enable the panel to display the formatted data.

Raw image data is stored in a frame buffer, which can be located in internal or external static memory, or in SDRAM. The CLCDC retrieves raw image data from the frame buffer by its own dedicated two channel DMA and formats the data as programmed. The CLCDC supports little-endian, big-endian, or WinCE pixel ordering in the frame buffer. WinCE pixel ordering is big-endian within a byte and little-endian within a word. The CLCDC can function as an AHB Master, and has the highest priority of the three LH7A404 AHB Masters.

The CLCDC utilizes two clock signals operating at considerably different frequencies. The two clocks need not be synchronous. DMA operations that access the frame buffer use the AHB (fast) clock. A second, slower clock drives the logic that creates the control signals and presents formatted data to the LCD panel. Although DMA operations always occur at the internal AHB rate, the LCD panel logic can be driven by an internally-generated clock or by an external clock source. In either case, the panel operates at a much lower frequency than the AHB. See Section 11.1.6 and Figure 11-5 for more information about the CLCDC clocks.

The CLCDC contains two DMA FIFO buffers for frame buffer data. The CLCDC requests the AHB whenever the level of data in a FIFO falls below the programmed Watermark (four or eight 32-bit words) for that FIFO. The CLCDC will not request the AHB unless a FIFO can accept at least four words. If necessary, the CLCDC will insert AHB busy cycles to ensure that the FIFOs are correctly written. When the CLCDC is granted access to the AHB, it can service either or both FIFOs. Dual panels do not double the overhead associated with mastering the AHB.

In the 1-, 2-, 4- or 8-Bit-Per-Pixel (BPP) modes, the data provides an index into a 16-bit wide color Look-Up Table, called the Palette RAM. In the 16 BPP mode of operation the Palette RAM is bypassed and the data is the actual pixel information. The 16 BPP mode is a direct mode.

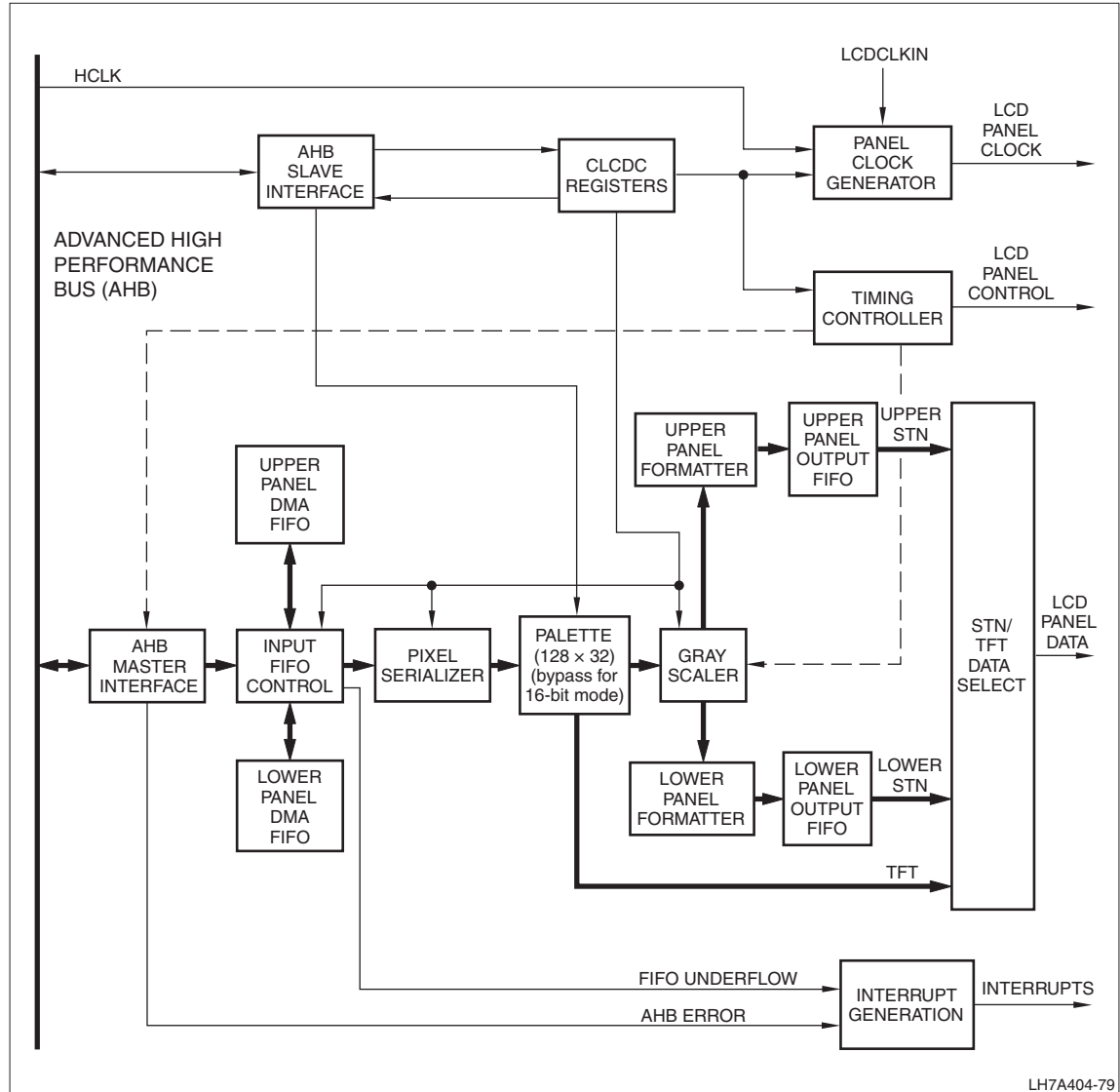


Figure 11-3. Color LCD Controller Simplified Block Diagram

LH7A404-79

11.1.3.1 Memory Management Unit

The CLCDC Memory Management Unit (LCD MMU) contiguously maps the LCD memory areas used in the embedded SRAM (eSRAM) and off-chip SDRAM. Typically the first 40KB of LCD data is stored in eSRAM with the balance stored in SDRAM.

The LCD MMU decodes the physical address generated by the CLCDC. If the addressed area is within 1 MB of the beginning of eSRAM, but beyond the first 40KB, the LCD MMU modifies the address by the address pointer contained in the OVERFLOW register, locating it within external SDRAM. Since the OVERFLOW register pointer is located on a 4KB boundary, the lower three nibbles are unchanged. If the physical address is already within external SDRAM, it is simply passed through unmodified.

In the example in Figure 11-4, a 300KB frame buffer is located with a physical base address at 0xB000.A000 and an overflow area at Synchronous Memory Bank 0 (nSCS0). This base address is the beginning of the upper 40KB of eSRAM, leaving the lower 40KB available for a different application. Memory selected by nSCS0 begins at physical address 0xC000.0000. During CLCDC configuration, software programs the UPBASE register with 0xB000.A000 and OVERFLOW with 0xC000.0000. For the first 40KB of the frame buffer, the LCD MMU accesses the upper 40KB of eSRAM. For the 260KB beyond physical address 0xB001.3FFC, the MMU uses OVERFLOW to offset the address instead of UPBASE.

A convenient design for handling large frame buffers is to use the LH7A404 MMU to map the eSRAM and external parts of the frame buffer as a contiguous address range. For information on the LH7A404 MMU, see the ARM922T MMU documentation available from ARM, Ltd.

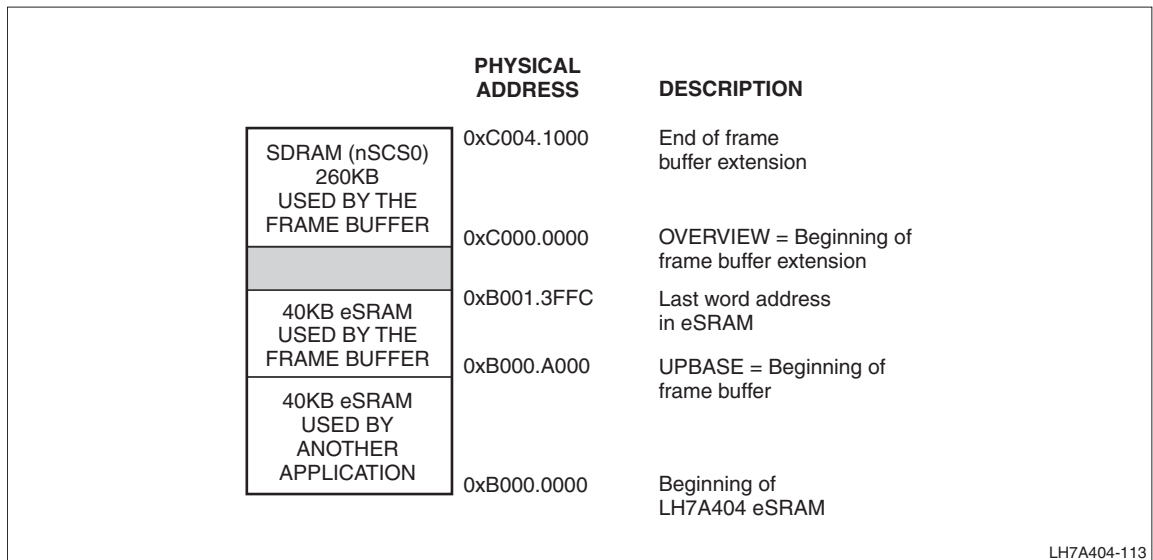


Figure 11-4. Large Frame Buffer Overflow Example

11.1.3.2 Dual-panel Color STN Operation

In the dual-panel color STN mode each FIFO (upper and lower) is fed by a separate DMA channel. The image data to be displayed on the upper and lower panels is read from the upper and lower regions of the frame buffer respectively and placed in the appropriate FIFO. Requests to each DMA channel are independently generated by each FIFO, according to the FIFO's demand. Data in each FIFO is continuously transferred to the Pixel Serializer where the data is separated into 16-, 8-, 4-, or 1-bit sections, according to the mode. The Pixel Serializer extracts the pixel data for the upper and lower panels on alternate clock cycles and passes the pixel data to the Palette RAM. The Palette RAM consists of a 128 × 32-bit dual-port RAM logically organized as 256 × 16 bits.

In the 8, 4, 2, and 1 BPP modes the Palette RAM provides the pixel's physical color value, passing the most significant 4 bits of each color bit field to the Grayscale.

In the 16 BPP mode the Palette RAM is bypassed and the most significant 4 bits of each color bit field of the Pixel Serializer's output are passed directly to the Grayscale. The Grayscale generates a 1-bit pixel for each color. Each 1-bit pixel will be either HIGH or LOW for a particular pixel on the display, in a particular frame. Each color's 1-bit Grayscale output is passed to the appropriate Formatter, to form an 8-bit data value in the Formatter's FIFO. The final data value for each pixel is output from the FIFO to the panel at 2-2/3 pixels per LCDDCLK cycle.

11.1.3.3 Dual-panel Monochrome STN Operation

In the dual-panel monochrome STN mode, image data is transferred from the frame buffer to the CLCDC input FIFOs by DMA operation, as it is for dual-panel color STN displays. Data also flows from these FIFOs, through the Pixel Serializer, to the Palette RAM in the same manner. In this mode the Palette RAM requires only 16 entries because only 1, 2, and 4 BPP formats are supported. Each Palette RAM entry represents 1 of 16 different displayable levels of gray. The Grayscale generates 1-bit pixels, each of which will be HIGH or LOW for a particular pixel in a particular frame. The Grayscale output is passed to the appropriate Formatter, to form a 4-bit or an 8-bit data value in the Formatter's (3 byte) FIFO, depending upon the LCD interface. The final data value is output from the Formatter's FIFO to the LCD panel at a rate of either 4 or 8 pixels per LCDDCLK cycle, depending upon the LCD interface.

11.1.3.4 Single-panel Color STN Operation

In the single-panel color STN mode, the Formatter for the lower panel is disabled and the upper and lower DMA FIFOs are utilized as a single FIFO of twice the capacity. Image data is transferred from the frame buffer to the FIFO by DMA operation. The data in the FIFO is split by the Pixel Serializer into 16-, 8-, 4-, 2-, or 1-bit sections, depending upon the programmed operating mode. The Pixel Serializer extracts the pixel data on every clock cycle and passes it to the Palette RAM or directly to the Grayscale, depending upon the mode.

In the 8, 4, 2, and 1 BPP modes, the Palette RAM functions in the same manner as for dual-panel color STN displays.

In the 16 BPP mode, the Palette RAM is bypassed and the Pixel Serializer passes the most significant 4 bits of each color bit field to the Grayscale.

As in dual-panel Color STN operation, the Grayscale generates a 1-bit pixel for each color. Each 1-bit pixel will be either HIGH or LOW for a particular pixel in a particular frame. The 1-bit pixel is passed to the upper Formatter to form an 8-bit data byte in the Formatter's output (3 byte) FIFO. The final data value is output from the FIFO at a rate of 2-2/3 pixels per LCDDCLK cycle.

11.1.3.5 Single-panel Monochrome STN Operation

In the single-panel monochrome STN mode, the lower panel's Formatter is disabled and the image data is transferred by DMA operation from the frame buffer to the doubled FIFO, as it is for single-panel color STN operation. The Pixel Serializer serializes the data and passes it to the Palette RAM. The Palette RAM provides the physical gray value of the pixel for 4, 2 or 1 BPP modes.

As in dual-panel Monochrome STN operation, the Grayscale generates 1-bit pixels, each pixel being either HIGH or LOW for a particular pixel in a particular frame. The chosen 1-bit grayscale output is passed to the Formatter to form a 4-bit or 8-bit data byte, depending upon the programmed width of the LCD interface (4 or 8-bits), and written to the (3 byte) FIFO. The final data value for the LCD panel is output at a rate of 4 or 8 pixels per LCDDCLK cycle, depending upon the programmed width of the Interface.

11.1.3.6 TFT Operation

The TFT mode is functionally similar to the single-panel color STN mode except that the Grayscale and the Formatter are both bypassed. The image data is transferred by DMA operation from the frame buffer to the doubled FIFO. Data from the FIFO is split by the Pixel Serializer into 16-, 8-, 4-, 2-, or 1-bit sections, depending upon the programmed operating mode.

In the 8-, 4-, 2-, or 1-BPP modes, the output of the Pixel Serializer is utilized as the Palette index, to extract the physical color. The Palette data is written to the LCD panel.

In the 16-BPP mode, the Palette RAM is bypassed and the output of the Pixel Serializer is directly utilized as the panel data.

11.1.3.7 Storing Pixels in the Frame Buffer

Tables 11-1 and 11-2 show the physical data structure in each frame buffer corresponding to the BPP combinations. The tables show only the first word of the data. In the tables 'B' represents blue, 'G' represents green, and 'R' represents red.

Table 11-1 describes color mode only. It shows the first word in the frame buffer for 16 BPP direct color, 5:5:5 + intensity bit, and the BGR bit programmed to 0 (see Section 11.3.8 for information about the BGR bit). For CSTN modes, the I bit and the least significant bit of the R, G, and B fields are unused.

Table 11-2 shows the first word in the frame buffer for 16 BPP direct color, 5:6:5 and the BGR bit programmed to 0 (see Section 11.3.8 for information about the BGR bit). It describes TFT modes, including AD-TFT and HR-TFT panels.

Table 11-1. 16 BPP Direct, 5:5:5 + Intensity, BGR = 0

BIT	31	30	29	28	27	26	25	24	23	22	21	20	19	18	17	16
FIELD	I Pixel 2	B Pixel 2					G Pixel 2					R Pixel 2				
BIT	15	14	13	12	11	10	9	8	7	6	5	4	3	2	1	0
FIELD	I Pixel 1	B Pixel 1					G Pixel 1					R Pixel 1				

Table 11-2. 16 BPP Direct, 5:6:5, BGR = 0 (TFT Only; includes AD-TFT and HR-TFT)

BIT	31	30	29	28	27	26	25	24	23	22	21	20	19	18	17	16
FIELD	B Pixel 2					G Pixel 2					R Pixel 2					
BIT	15	14	13	12	11	10	9	8	7	6	5	4	3	2	1	0
FIELD	B Pixel 1					G Pixel 1					R Pixel 1					

11.1.3.8 Pixel Serializer

The pixel serializer reads the 32-bit-wide LCD data from the output port of the LCD DMA FIFO and extracts 16, 8, 4, 2, or 1 bits per pixel (BPP) data, depending on the operating mode. In Dual Panel Mode, data alternately is read from the upper and lower LCD DMA FIFOs. Depending on the operating mode, the extracted data is either used to point to a color/gray scale value in the Palette RAM or directly applied to an LCD panel input.

11.1.3.9 How Pixels are Stored in Memory

Table 11-3 shows the pixel arrangement of a line on a display, with the first 32 pixels labeled p0 through p31. Table 11-4 and Table 11-5 show the data structure in each DMA FIFO word corresponding to pixel resolution (BPP) combinations. The required data for each panel display pixel must be extracted from the data word. The first pixel value in the frame corresponds to the color value encoded in pixel P0 (see Table 11-5), the second corresponds to P1, the third to P2, and so on (continuing in Table 11-4).

Table 11-3. Pixel Display Arrangement

p0	p1	p2	p3	p4	p5	p6	p7	p8	p9	p10	p11	p12	p13	p14	p15	p16	p17	p18	p19	p20	p21	p22	p23	p24	p25	p26	p27	p28	p29	p30	p31
----	----	----	----	----	----	----	----	----	----	-----	-----	-----	-----	-----	-----	-----	-----	-----	-----	-----	-----	-----	-----	-----	-----	-----	-----	-----	-----	-----	-----

Table 11-4. Frame Buffer Pixel Storage Format, Bits [31:16]

DMA FIFO OUTPUT BITS																	
	BIT	31	30	29	28	27	26	25	24	23	22	21	20	19	18	17	16
1 BPP	Pixel	p31	p30	p29	p28	p27	p26	p25	p24	p23	p22	p21	p20	p19	p18	p17	p16
	Bit	-	-	-	-	-	-	-	-	-	-	-	-	-	-	-	-
2 BPP	Pixel	p14		p13		p12		p11		p10			p9		p8		
	Bit	1	0	1	0	1	0	1	0	1	0	1	0	1	0	1	0
4 BPP	Pixel	p7				p6				p5				p4			
	Bit	3	2	1	0	3	2	1	0	3	2	1	0	3	2	1	0
8 BPP	Pixel	p3								p2							
	Bit	7	6	5	4	3	2	1	0	7	6	5	4	3	2	1	0
16 BPP	Pixel	p1															
	Bit	15	14	13	12	11	10	9	8	7	6	5	4	3	2	1	0

Table 11-5. Frame Buffer Pixel Storage Format, Bits [15:0]

DMA FIFO OUTPUT BITS																	
	BIT	15	14	13	12	11	10	9	8	7	6	5	4	3	2	1	0
1 BPP	Pixel	p15	p14	p13	p12	p11	p10	p9	p8	p7	p6	p5	p4	p3	p2	p1	p0
	Bit	-	-	-	-	-	-	-	-	-	-	-	-	-	-	-	-
2 BPP	Pixel	p7		p6		p5		p4		p3		p2		p1		p0	
	Bit	1	0	1	0	1	0	1	0	1	0	1	0	1	0	1	0
4 BPP	Pixel	p3				p2				p1				p0			
	Bit	3	2	1	0	3	2	1	0	3	2	1	0	3	2	1	0
8 BPP	Pixel	p1								p0							
	Bit	7	6	5	4	3	2	1	0	7	6	5	4	3	2	1	0
16 BPP	Pixel	p0															
	Bit	15	14	13	12	11	10	9	8	7	6	5	4	3	2	1	0

11.1.4 LCD Panel Resolution

LCD panel resolution is expressed as the addressable number of horizontal pixels with the addressable number of vertical pixels. The CLCDC supports STN, TFT, AD-TFT and HR-TFT LCD panels with a wide range of resolutions, including:

- 120 × 160
- 320 × 200, 320 × 240
- 640 × 200, 640 × 240, 640 × 480
- 800 × 600
- 1,024 × 768 (8 Bits-Per-Pixel MAX.)

11.1.4.1 Color and Gray Scale Selection

TFT, AD-TFT, and HR-TFT LCD panels utilize color palette RAM. For these panels, each 16-bit palette entry is composed of 5 Bits-Per-Pixel plus a common intensity bit. In addition, the total number of supported colors can be doubled from 32,768 to 65,536 if the Intensity bit is utilized and applied simultaneously to all three color components (R, G, and B). The CLCDC can drive up to 16 data lines for standard and thin TFT panel modules. Whether the LCD module requires the ALI to generate additional timing information does not affect the data line usage. The selection of colors that the CLCDC can drive a TFT panel to display is determined by the number of video data lines wired to the panel. If all 16 video data lines are wired to the TFT panel, 65,536 total colors are available. Possible settings are listed in Table 11-6.

The number of different colors displayable on the TFT panel at one time is programmed by the Bits-Per-Pixel (BPP) setting. Color and Monochrome STN panels are driven by a gray-scale algorithm. For Monochrome STN displays, this algorithm provides 15 different levels of gray. In the case of Color STN displays, the three color components (red, green, and blue) are simultaneously gray-scaled. The simultaneous gray-scaling provides 3,375 (15 × 15 × 15) possible levels of gray.

If the BGR bit in the CONTROL register is 0, the CLCDC outputs the color value in the palette entry (for palettized modes) or in the frame buffer entry (direct mode) onto video data lines. If the BGR bit is 1, then bits 4:0 of the palette entry or frame buffer entry are swapped with bits 14:10 before they are output.

Table 11-6. Supported TFT, AD-TFT, and HR-TFT LCD Panels

BPP	SOURCE	TFT, AD-TFT AND HR-TFT (UP TO 16-BIT BUS)
1	Palettized	2 colors selected from 65,536 available colors
2	Palettized	4 colors selected from 65,536 available colors
4	Palettized	16 colors selected from 65,536 available colors
8	Palettized	256 colors selected from 65,536 available colors
16	Direct	65,536 colors are encoded directly in the frame buffer

Table 11-8 shows the bit-depths (Bits-Per-Pixel) supported for Monochrome STN panels.

Table 11-7. Supported Color STN LCD Panels

BPP	SOURCE	COLOR STN (SINGLE AND DUAL PANEL, 8-BIT BUS)
1	Palettized	2 colors selected from 3,375
2	Palettized	4 colors selected from 3,375
4	Palettized	16 colors selected from 3,375
8	Palettized	256 colors selected from 3,375
16	Direct	4:4:4 RGB. Requires 12 data lines, 4 BPP are unused.

NOTE: 3375 colors = (15 RED) × (15 BLUE) × (15 GREEN).

Table 11-8. Supported Mono-STN LCD Panels

BPP	SOURCE	MONO STN (SINGLE AND DUAL, 4- AND 8-BIT BUS)
1	Palettized	2 gray shades selected from 15
2	Palettized	4 gray shades selected from 15
4	Palettized	15 gray shades selected from 15

The grayscale assembles 4-bit values into a sequence-of-activity per pixel, over several frames. The effectiveness of this relies on the characteristics of STN LCDs to produce a representation of a grayscale. Table 11-9 shows the intensity that can be obtained from each of the 16 possible 4-bit palette combinations. Only 15 of the combinations are useful because the 2 middle values (0b0111 and 0b1000) produce the same result.

Table 11-9. Color STN Intensities From Grayscale Modulation

4-BIT PALETTE VALUE	DUTY CYCLE ¹	RESULTING INTENSITY ²
0b0000	0/90	00.0%
0b0001	10/90	11.1%
0b0010	18/90	20.0%
0b0011	24/90	26.7%
0b0100	30/90	33.3%
0b0101	36/90	40.0%
0b0110	40/90	44.4%
0b0111	45/90	50.0%
0b1000	45/90	50.0%
0b1001	50/90	55.6%
0b1010	54/90	60.0%
0b1011	60/90	66.6%
0b1100	66/90	73.3%
0b1101	72/90	80.0%
0b1110	80/90	88.9%
0b1111	90/90	100.0%

NOTES:

1. Duty cycle is determined by (pixels on ÷ (pixels on + pixels off)).
2. Resulting intensity: 000% = black, 100% = white.

11.1.5 LCD Data Multiplexing

When LCD data is written to a LCD panel, the manner in which the LCD data is multiplexed onto the external data bus varies for STN, TFT, AD-TFT, or HR-TFT panels. Table 11-10 shows the data multiplexing for each supported panel.

Table 11-10. LCD Controller Pins

CABGA PIN	RESET STATE	LCD SIGNAL	STN						TFT	AD-TFT/HR-TFT
			MONO 4-BIT		MONO 8-BIT		COLOR			
			SINGLE PANEL	DUAL PANEL	SINGLE PANEL	DUAL PANEL	SINGLE PANEL	DUAL PANEL		
L4	PA1	LCDVD17								LOW
M2	PA0	LCDVD16								LOW
Y12	PD7	LCDVD15				MLSTN7		CLSTN7	Intensity	Intensity
V12	PD6	LCDVD14				MLSTN6		CLSTN6	BLUE4	BLUE4
U11	PD5	LCDVD13				MLSTN5		CLSTN5	BLUE3	BLUE3
W11	PD4	LCDVD12				MLSTN4		CLSTN4	BLUE2	BLUE2
V11	PD3	LCDVD11				MLSTN3		CLSTN3	BLUE1	BLUE1
W12	PD2	LCDVD10				MLSTN2		CLSTN2	BLUE0	BLUE0
U10	PD1	LCDVD9				MLSTN1		CLSTN1	GREEN4	GREEN4
Y11	PD0	LCDVD8				MLSTN0		CLSTN0	GREEN3	GREEN3
T9	PE3	LCDVD7		MLSTN3	MUSTN7	MUSTN7	CUSTN7	CUSTN7	GREEN2	GREEN2
V10	PE2	LCDVD6		MLSTN2	MUSTN6	MUSTN6	CUSTN6	CUSTN6	GREEN1	GREEN1
W10	PE1	LCDVD5		MLSTN1	MUSTN5	MUSTN5	CUSTN5	CUSTN5	GREEN0	GREEN0
Y9	PE0	LCDVD4		MLSTN0	MUSTN4	MUSTN4	CUSTN4	CUSTN4	RED4	RED4
Y8	LCDVD3	LCDVD3	MUSTN3	MUSTN3	MUSTN3	MUSTN3	CUSTN3	CUSTN3	RED3	RED3
W9	LCDVD2	LCDVD2	MUSTN2	MUSTN2	MUSTN2	MUSTN2	CUSTN2	CUSTN2	RED2	RED2
T8	LCDVD1	LCDVD1	MUSTN1	MUSTN1	MUSTN1	MUSTN1	CUSTN1	CUSTN1	RED1	RED1
V8	LCDVD0	LCDVD0	MUSTN0	MUSTN0	MUSTN0	MUSTN0	CUSTN0	CUSTN0	RED0	RED0
U3	LCDCLS	LCDCLS								LCDCLS
Y10	LCDDCLK	LCDDCLK	LCDDCLK	LCDDCLK	LCDDCLK	LCDDCLK	LCDDCLK	LCDDCLK	LCDDCLK	LCDDCLK
T4	LCDFP	LCDFP/ LCDSPS	LCDFP	LCDFP	LCDFP	LCDFP	LCDFP	LCDFP	LCDFP	LCDSPS
V2	LCDLP	LCDLP/ LCDHRLP	LCDLP	LCDLP	LCDLP	LCDLP	LCDLP	LCDLP	LCDLP	LCDHRLP
W2	LCDMOD	LCDMOD								LCDMOD
V5	LCDPS	LCDPS								LCDPS
W3	LCDREV	LCDREV								LCDREV
V3	LCDSPL	LCDSPL								LCDSPL
V4	LCDLBR	LCDLBR								LCDLBR
W1	LCDSPR	LCDSPR								LCDSPR
U4	LCDUBL	LCDUBL								LCDUBL
Y1	LCDVDDEN	LCDVDDEN								LCDVDDEN
U8	LCDCCLKIN	LCDCCLKIN	LCDCCLKIN	LCDCCLKIN	LCDCCLKIN	LCDCCLKIN	LCDCCLKIN	LCDCCLKIN	LCDCCLKIN	LCDCCLKIN
V9	LCDENAB	LCDENAB/ LCDM	LCDM	LCDM	LCDM	LCDM	LCDM	LCDM	LCDENAB	

11.1.6 CLCDC Clock Generation

The CLCDC and the ALI are driven by a common clock which can be generated from either HCLK or the 14.7456 MHz clock source. Figure 11-5 summarizes the LH7A404 CLCDC clock generation.

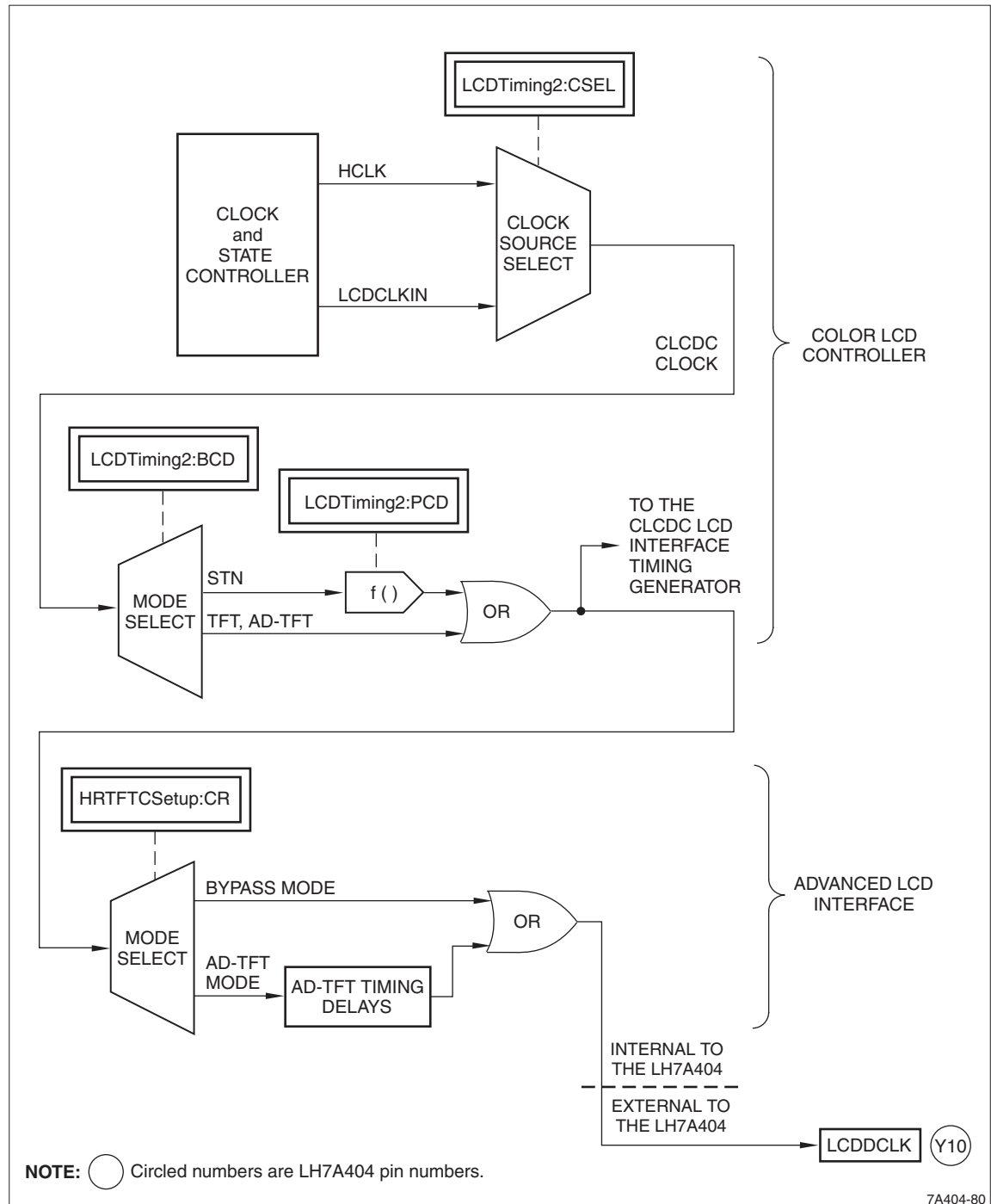


Figure 11-5. LCDDCLK Clock Generation

Together, the LH7A404 CLCDC and ALI generate all clock and timing signals required to drive STN, TFT, AD-TFT, and HR-TFT panels. The CLCDC generates the signals for STN and TFT displays. When enabled, the ALI intercepts the signals from the CLCDC and modifies their timing to drive AD-TFT/HR-TFT panels.

The CLCDC Panel Clock Generator and the CLCDC Timing Controller both receive the CLCDC CLOCK signal from the LH7A404 Clock Generation system. The Timing Controller uses the clock signal to generate frame pulse, line pulse, and AC bias signals for the LCD panel. The Panel Clock Generator creates the LCDDCLK output signal, which has a programmable period. The programmable period can vary the clock's frequency from (CLCDC CLOCK)/2 to (CLCDC CLOCK)/33, with a 50% Duty Cycle. In the Bypass mode, the CLCDC CLOCK is directly used as the LCDDCLK signal.

11.1.7 LCD Interface Timing Signals

LCD interface timing signals are categorized as either horizontal or vertical timing signals. These signals are created by the CLCDC, optionally modified by the ALI, and applied directly to an external LCD panel with no additional external hardware required, except for CGS panels.

11.1.7.1 LCD Horizontal Timing Signals

The horizontal components of LCD timing describe the process of writing one line of LCD data to a LCD panel and include programmable delays before and after the data is written to the panel. A line of data is composed of all pixel information for one displayed line. See Section 11.5 for timing diagrams.

11.1.7.1.1 STN Horizontal Timing Restrictions

The CLCDC's dedicated DMA system requests new data at the start of each horizontal display line. Time must be allowed for the DMA transfer operation to occur. Time must also be allowed for the data to propagate down the FIFO path within the LCD interface. These delays constitute LCD data path latency. The data path latency imposes some restrictions on the usable minimum values for horizontal back porch width when operating in the STN modes. The value restrictions are listed in Table 11-11.

Table 11-11. Usable Minimum Values Affecting STN Back Porch Width

HORIZONTAL TIMING VALUE	SINGLE-PANEL MODE	DUAL-PANEL MODE
TIMING0:HSW	3	3
TIMING0:HBP	5	5
TIMING0:HFP	5	5
TIMING2:PCD	1 × (CLCDC CLOCK/3)	5 × (CLCDC CLOCK/7)

NOTE: The minimum value for PCD is 4.

11.1.7.2 LCD Vertical Timing Signals

Data is written to an LCD panel in frames. Each frame is composed of a number of horizontal lines. The vertical components of LCD timing describe the process of writing one full frame to an LCD panel.

Each frame begins with a frame pulse or vertical synchronization pulse of programmable duration. Each frame pulse is followed by a programmable delay, the vertical back porch. When the vertical back porch expires, all line information for the frame is presented to the LCD panel. See Section 11.1.7.1. The line information is followed by another programmable delay, the vertical front porch.

11.1.8 LCD Power Sequencing at Turn-On and Turn-Off

Many LCD panels require ground, power for the digital logic, and high-voltage power supplies. To extend the life of these panels, the digital power must be applied before the high voltage is applied, and removed after they are removed. The logic signals driving the panel must be active before the panel voltages are applied, and the panel voltages must be removed before the logic signals are removed. This sequencing ensures that the panel is always operated with a net DC bias of 0 VDC.

Software must ensure that these conditions are met. The requisite delay is usually specified in the LCD panel's data sheet. If the proper power sequencing is not followed, the LSI drivers in the panel can latch and the display will freeze. Typically when this happens, the colors will be incorrect on STN panels. In addition the power down sequence must be followed or LCD life can be degraded.

Figure 11-6 is an example of these timing requirements for the SHARP LM057QCTT03 Color STN LCD Panel, and the accompanying timing specifications. Always refer to your specific LCD panel's Data Sheet to determine the specific turn-on and turn-off requirements for the panel being used in your application.

11.1.8.1 Minimizing a Retained Image on the LCD

While it is very important to follow the power turn-off sequence to ensure longevity of the LCD panel, this sequence alone will not ensure there is no retained image (ghosting) left on the LCD panel after the LCD has been powered down.

This ghost bleeds away slowly after powering down the LCD panel. It is most noticeable with LCD panels utilizing HR-TFT and AD-TFT technologies for image display. With these types of LCD panels the ambient light alone is enough to make the retained image visible. TFT-type LCD panels also have a retained image, but it is typically not as visible once the backlight source is turned off.

To minimize the appearance of a retained image on HR-TFT and AD-TFT LCD panels, software should write a complete frame of all 1's (white) to the LCD just prior to initiating the turn-off sequence.

To minimize the appearance of a retained image on a TFT LCD panel, software should write a complete frame of all 0's (black) just prior to initiating the turn-off sequence.

In all cases the illumination source should be turned off prior to initiating the turn-off sequence.

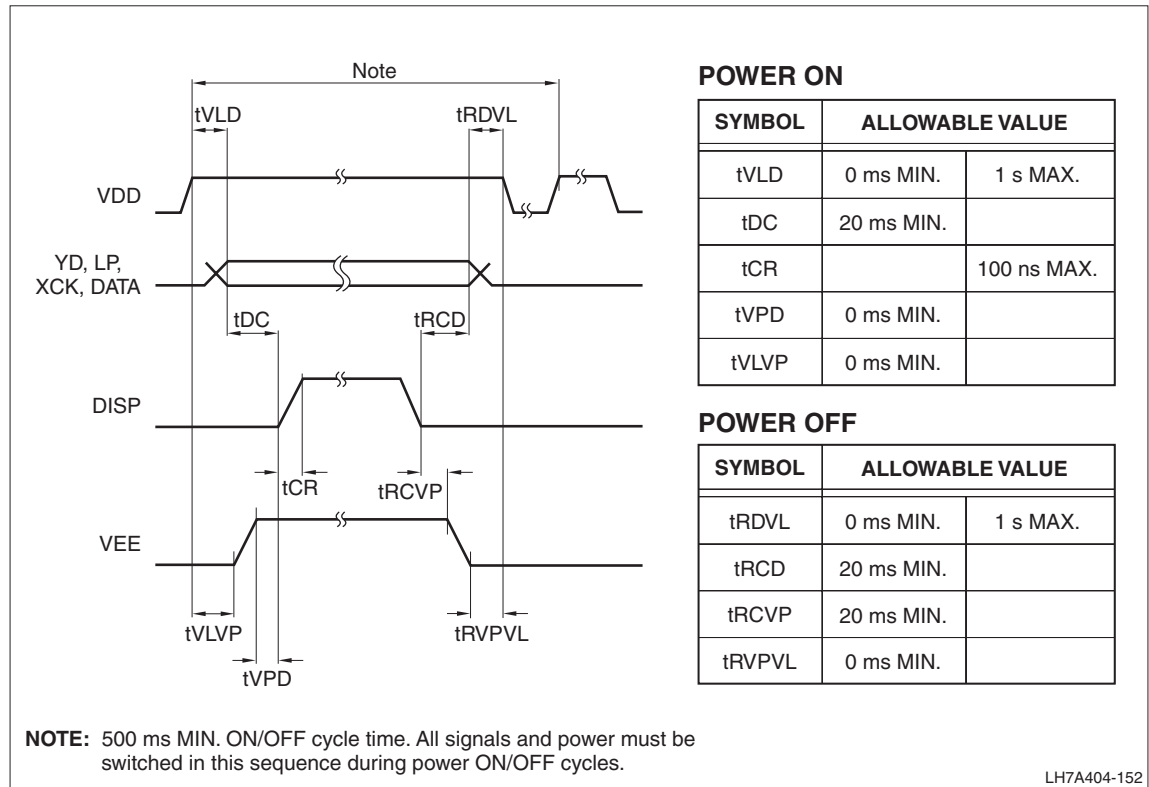


Figure 11-6. LCD Panel Power Sequencing

11.1.9 CLCDC Interrupts

The CLCDC can generate an interrupt for each of four different conditions:

- Master Bus Error Interrupt
- Vertical Compare Interrupt
- LCD Next Base Address Update Interrupt
- LCD FIFO Underflow Interrupt.

Software must acknowledge the interrupt by writing a 1 to the corresponding status register bit, after which the CLCDC resumes operation from the beginning of the current frame.

Each of the four individually-maskable interrupts is enabled or disabled by the mask bits in the INTREN register. The status of the individual interrupt sources can be read from the STATUS register.

The hardware executes a logical OR of the four interrupts and asserts one combined CLCDINTR interrupt to the Vectored Interrupt Controller (VIC).

11.1.9.1 Master Bus Error Interrupt — MBEI

The Master Bus Error Interrupt is asserted when an ERROR response is received by the AHB DMA master interface during a transaction with an AHB DMA slave. For example, this error occurs when the UPBASE Register is programmed to an address that is not in the LH7A404's memory map. When such an error is encountered, the master interface enters an error state and remains in this state until clearance of the error has been signalled to it. On completion of the interrupt service routine, clear the Master Bus Error Interrupt by writing a 1 to STATUS:MBEI. This action releases the master interface from its ERROR state, allowing a fresh frame of data display to be initiated.

11.1.9.2 Vertical Compare Interrupt — CVCI

The Vertical Compare Interrupt is asserted when one of four vertical display regions, selected via the CONTROL register, is accessed. This interrupt can be programmed to occur at the start of:

- Vertical Synchronization
- Vertical Back Porch
- Active Video
- Vertical Front Porch.

Clear the Vertical Compare Interrupt by writing a 1 to STATUS:VCI register.

11.1.9.3 LCD Next Base Address Update Interrupt — BUI

The LCD Next Base Address Update Interrupt is asserted when either the UPBASE or the LPBASE values have been transferred to the UPCUR or LPCUR incrementers respectively. This interrupt signals that it is valid to update the UPBASE or the LPBASE registers with new frame base address, if required.

Clear this interrupt by writing a 1 to STATUS:BUI register.

11.1.9.4 LCD FIFO Underflow Interrupt — FUI

The FIFO Underflow Interrupt is asserted when data is requested by the core from an empty CLCDC input FIFO. Clear the FIFO underflow interrupt by writing a 1 to the STATUS:FUI register.

11.2 Advanced LCD Interface

The Advanced LCD Interface (ALI) provides the additional processing required to interface the LH7A404 to AD-TFT, HR-TFT, or any display technology that uses this method of connection. Figure 11-7 shows the ALI between the CLCDC and the LCD output pins.

The ALI is programmed via its 16-bit APB interface and receives control signals and display data from the CLCDC. The ALI converts the display data to a format suitable for direct connection to the Row and Column driver ICs in AD-TFT, HR-TFT displays, or any display using similar technology.

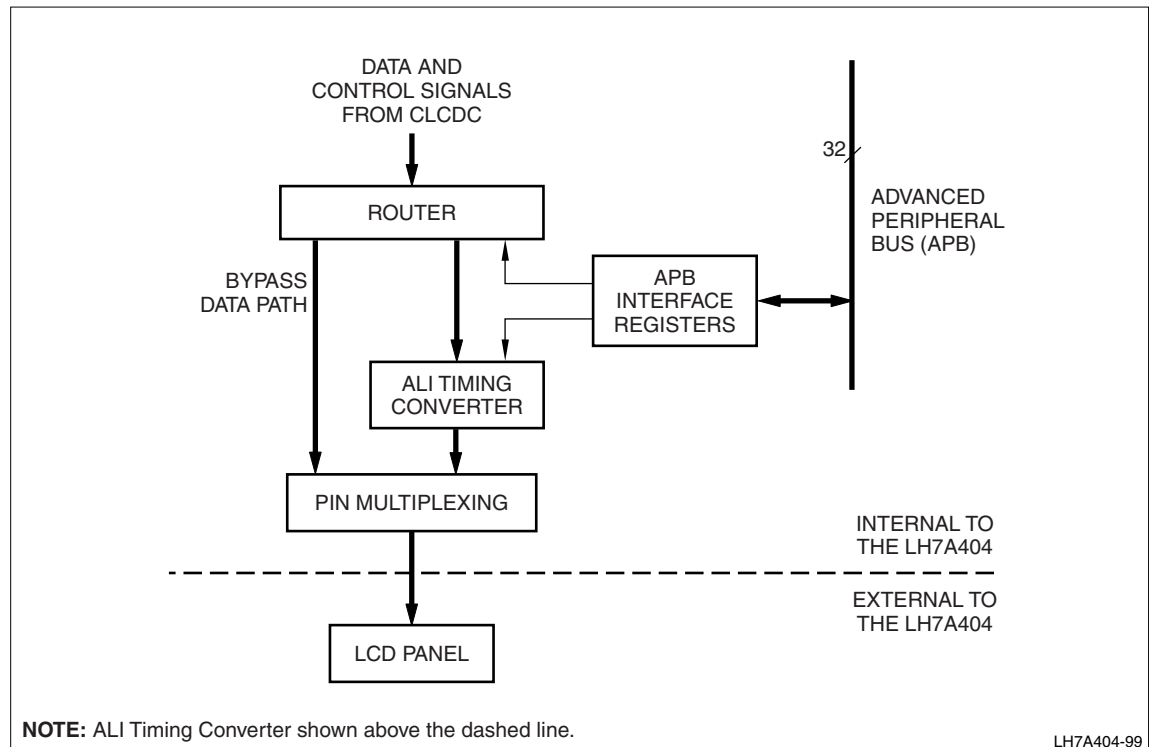


Figure 11-7. ALI Simplified Block Diagram

11.2.1 Theory of Operation

The ALI operates in two modes:

- Bypass Mode
- Active Mode

The ALI operating mode must be selected by software.

11.2.1.1 Bypass Mode

The ALI defaults to Bypass mode following reset. In this mode, signals and data received from the CLCDC simply pass unaltered through the ALI to the LCD output pins. Select the Bypass mode when the CLCDC is driving STN or TFT LCD panels that contain a timing ASIC.

11.2.1.2 Active Mode

In Active mode, the ALI reformats TFT data and control signals from the CLCDC to drive the Row and Column driver circuitry on the LCD panel. When ALISETUP:CR is programmed to select the Active mode, the ALI re-times TFT data from the CLCDC so that it is output on the falling edge of the output clock (LCDDCLK). In the Active mode the ALI also generates source driver, gate driver, and voltage-preparation control signals appropriate for AD-TFT and HR-TFT LCDs.

The correct programming sequence for the CLCDC and ALI registers in Active mode is:

1. Ensure that the CLCDC is not enabled
2. Program the ALISETUP register
3. Program the ALITIMING1 Register
4. Program the ALITIMING2 register
5. Program the ALICONTROL register
6. Enable the CLCDC.

11.2.1.3 CLCDC Setup for AD-TFT or HR-TFT Operation

To supply the correct waveforms, the ALI must receive the correct signals from the CLCDC. Software must:

- Program the CLCDC to scale the internal clock signal routed to the ALI from the CLCDC to a frequency appropriate for the AD-TFT or HR-TFT panel being connected. The ALI will modify this signal's timing but not its frequency. See Section 11.1.6 and Figure 11-5 for additional information regarding the clock frequency setup.
- Program the CLCDC to operate in TFT mode.
- Program the CLCDC to provide an enable signal (either LCDSPL or LCDSPL).
- Program the CLCDC to provide a continuous clock signal (LCDDCLK).
- Program TIMING0:HSW (Horizontal Sync Width) for the AD-TFT/HR-TFT display.
- Program TIMING1:VSW (Vertical Sync Width) for the AD-TFT/HR-TFT display.
- Program TIMING2:IVS to select the appropriate polarity for the LCDSPL (Row reset) signal.
- Program TIMING2:IHS to select the appropriate polarity for the LCDLP (Horizontal Sync) signal.
- Program TIMING2:IPC to drive data on the falling edge of the LCDDCLK signal.
- Program TIMING2:IOE to 0 to select the appropriate polarity for the LCDSPL/LCDSPL signal.

11.3 Register Reference

This section describes the CLCDC registers.

11.3.1 Memory Map

Table 11-12 shows the CLCDC registers at offsets from CLCDC base address, 0x8000.3000.

Table 11-12. CLCDC Register Summary

ADDRESS	NAME	DESCRIPTION
0x000	TIMING0	Horizontal axis panel control
0x004	TIMING1	Vertical axis panel control
0x008	TIMING2	Clock and signal polarity control
0x00C	///	Reserved. Do not access this location.
0x010	UPBASE	Upper panel frame base address
0x014	LPBASE	Lower panel frame base address
0x018	INTREN	Interrupt enable mask
0x01C	CONTROL	LCD panel pixel parameters
0x020	STATUS	Raw interrupt status
0x024	INTERRUPT	Final masked interrupts
0x028	UPCUR	LCD upper panel current address value
0x02C	LPCUR	LCD lower panel current address value
0x030	OVERFLOW	SDRAM overflow frame buffer address
0x034 - 0x1FC	///	Reserved. Do not access these locations.
0x200 - 0x3FC	PALETTE	256 × 16-bit color palette (128 entries × 2 entries per word)
0x400 - 0x7FF	///	Reserved. Do not access these locations.

11.3.2 CLCDC Register Descriptions

11.3.2.1 LCD Timing 0 Register (TIMING0)

The TIMING0 register sets the LCD panel's horizontal timing. The fields in the TIMING0 register control the Horizontal Synchronization pulse Width (HSW), the Horizontal Front Porch (HFP) period, the Horizontal Back Porch (HBP) period and the Pixels-Per-Line (PPL). Table 11-14 lists the bit assignments for the TIMING0 register.

Table 11-13. TIMING0 Register

BIT	31	30	29	28	27	26	25	24	23	22	21	20	19	18	17	16
FIELD	HBP								HFP							
RESET	0	0	0	0	0	0	0	0	0	0	0	0	0	0	0	0
TYPE	RW	RW	RW	RW	RW	RW	RW	RW	RW	RW	RW	RW	RW	RW	RW	RW
BIT	15	14	13	12	11	10	9	8	7	6	5	4	3	2	1	0
FIELD	HSW								PPL						///	
RESET	0	0	0	0	0	0	0	0	0	0	0	0	0	0	0	0
TYPE	RW	RW	RW	RW	RW	RW	RW	RW	RW	RW	RW	RW	RW	RW	RO	RO
ADDR	0x8000.3000															

Table 11-14. TIMING0 Fields

BITS	FIELD NAME	DESCRIPTION
31:24	HBP	Horizontal Back Porch HBP specifies the number of LCDDCLK periods between the end of the LCDLP signal and the beginning of valid data. HBP can be programmed for a delay of 1 to 256 pixel clock cycles. HBP = (LCDDCLK periods) – 1
23:16	HFP	Horizontal Front Porch HFP specifies the number of LCDDCLK periods between the end of valid data and the beginning of the LCDLP signal. HFP can be programmed for a delay of 1 to 256 pixel clock cycles. HFP = (LCDDCLK periods) – 1
15:8	HSW	Horizontal Synchronization Pulse Width HSW specifies the width of the LCDLP signal, in LCDDCLK periods. In STN modes, this signal is referred to as the 'line clock'. In TFT modes, this signal is referred to as the 'horizontal synchronization pulse'. HSW = (LCDDCLK periods) – 1
7:2	PPL	Pixels-Per-Line PPL specifies the number of pixels in each line of the LCD panel. The PPL value sets the number of pixel clocks that occur before the value in the HFP bit field is applied (that is, before the LCDLP signal is asserted). The PPL bit field is a 6-bit value that represents a number corresponding to the actual pixels-per-line, which can range from 16 to 1,024. At reset this field is 0, which corresponds to 16 actual pixels-per-line. PPL = (Actual pixels-per-line/16) – 1 Actual pixels-per-line = 16 × (PPL + 1)
1:0	///	Reserved Reading returns 0. Write the reset value.

NOTE: *The CLCDC DMA system requests new data at the beginning of each horizontal display line. The delays implicit in this operation must be considered when establishing the horizontal display timing. See Section 11.1.7.1.1 for additional information.

11.3.3 LCD Timing 1 Register (TIMING1)

The TIMING1 register controls the LCD panel's vertical timing.

TIMING1 controls the number of Lines-Per-Panel (LPP), the Vertical Synchronization pulse Width (VSW), the Vertical Front Porch (VFP) period and the Vertical Back Porch (VBP) period. Table 11-16 lists the bit definitions for the TIMING1 register.

Table 11-15. TIMING1 Register

BIT	31	30	29	28	27	26	25	24	23	22	21	20	19	18	17	16
FIELD	VBP								VFP							
RESET	0	0	0	0	0	0	0	0	0	0	0	0	0	0	0	0
TYPE	RW	RW	RW	RW	RW	RW	RW	RW	RW	RW	RW	RW	RW	RW	RW	RW
BIT	15	14	13	12	11	10	9	8	7	6	5	4	3	2	1	0
FIELD	VSW								LPP							
RESET	0	0	0	0	0	0	0	0	0	0	0	0	0	0	0	0
TYPE	RW	RW	RW	RW	RW	RW	RW	RW	RW	RW	RW	RW	RW	RW	RW	RW
ADDR	0x8000.3004															

Table 11-16. TIMING1 Fields

BITS	FIELD NAME	DESCRIPTION
31:24	VBP	<p>Vertical Back Porch VBP defines the number of inactive lines at the start of a frame, after the vertical synchronization period (after the framing pulse, LCDFP, is de-asserted). The VBP bit field specifies the number of horizontal line-clocks (LCDLP) inserted at the beginning of each frame. The value in the VBP bit field can generate from 0 to 255 additional line-clock cycles.</p> <p>TFT modes: The VBP delay begins after the vertical synchronization signal for the previous frame (LCDFP) has been deasserted.</p> <p>STN modes: This field can be programmed in STN modes, but the value has no effect on the vertical back porch. The vertical back porch is zero regardless of what is written to this field. Program VBP = 0 on STN displays.</p>
23:16	VFP	<p>Vertical Front Porch VFP defines the number of inactive lines at the end of a frame, before the vertical synchronization period (before the framing pulse, LCDFP, is asserted). VFP specifies the number of horizontal line-clocks (LCDLP) inserted at the end of each frame. The value in the VFP bit field can generate from 0 to 255 line-clock cycles.</p> <p>TFT modes: The vertical synchronization signal (LCDFP) is asserted after the VFP delay has expired.</p> <p>STN modes: This field can be programmed in STN modes, but the size of the vertical front porch can affect the display contrast. Typically, the larger the VFP, the worse the display contrast will be. To reduce display contrast issues, keep this value low, or program VFP = 0 on STN displays.</p>
15:10	VSW	<p>Vertical Synchronization (Pulse) Width VSW is the width of the LCDFP signal. VSW is specified in terms of the number of horizontal synchronization lines (LCDLP pulses). $VSW = (LCDLP \text{ Periods}) - 1$</p> <p>STN modes: This field can be programmed in STN modes, but the value has no effect upon the vertical sync width. The vertical sync width will always be one line regardless of what is written to this field. Programming any other value than zero causes VFP to be enlarged by whatever is programmed in this field. Therefore program VSW = 0 for STN LCDs.</p>

Table 11-16. TIMING1 Fields (Cont'd)

BITS	FIELD NAME	DESCRIPTION
9:0	LPP	<p>Lines Per Panel LPP specifies the number of active lines (rows of pixels) per panel. The LPP bit field is a 10-bit value allowing between 1 and 1,024 lines.</p> <p>$LPP = (\text{Active Lines}) - 1$</p> <p>Dual-Panel displays: The two panels in dual-panel displays are assumed to be of identical sizes. For dual-panel displays, the LPP bit field should be programmed to describe either the upper or the lower panel, and not be doubled.</p> <p>ALI Active modes: LPP and LCDREV must be considered together. Program LPP to an odd number of lines for AD-TFT and HR-TFT panels. AD-TFT and HR-TFT displays utilize the LCDREV signal as an AC bias signal. The LCDREV signal oscillates, driven HIGH during one frame and driven LOW during the next frame. To avoid long-term LCD damage, the AC bias applied to any line of an LCD panel should average to a net 0 VDC. When correctly programmed, the LCDREV signal will be HIGH for a line during one frame and LOW for the same line during the next frame. If the LPP bit field specifies an even number of Lines Per Panel, this oscillation will be mismatched to the display's lines and the lines will not receive a net 0 VDC bias. See ALITIMING1:REVDEL for additional information.</p>

11.3.4 LCD Timing 2 Register (TIMING2)

The TIMING2 register controls the generation of the CLCDC clocks for the LCD panel. Table 11-18 details this register's bit assignments.

Table 11-17. TIMING2 Register

BIT	31	30	29	28	27	26	25	24	23	22	21	20	19	18	17	16
FIELD	///					BCD	CPL									
RESET	0	0	0	0	0	0	0	0	0	0	0	0	0	0	0	0
TYPE	RO	RO	RO	RO	RO	RW	RW	RW	RW	RW	RW	RW	RW	RW	RW	RW
BIT	15	14	13	12	11	10	9	8	7	6	5	4	3	2	1	0
FIELD	///	IOE	IPC	IHS	IVS	ACB					CSEL	PCD				
RESET	0	0	0	0	0	0	0	0	0	0	0	0	0	0	0	0
TYPE	RO	RW	RW	RW	RW	RW	RW	RW	RW	RW	RW	RW	RW	RW	RW	RW
ADDR	0x8000.3008															

Table 11-18. TIMING2 Fields

BITS	FIELD NAME	DESCRIPTION
31:27	///	Reserved Reading returns 0. Write the reset value.
26	BCD	Bypass Pixel Clock Divider 1 = Bypass the pixel clock divider logic 0 = Use the pixel clock divider logic See the description of the PCD bit field, below.
25:16	CPL	Clocks Per Line CPL specifies the number of LCDDCLK pulses fed to the LCD panel during each horizontal line. The TIMING2:CPL and TIMING0:PPL fields work together; both must be programmed correctly in order for the CLCDC to function correctly. Actual Pixels Per Line (APPL) = 16 x (TIMING0:PPL – 1) TFT panels: CPL = (APPL – 1) 4-bit mono STN panels: CPL = ((APPL/4) – 1) 8-bit mono STN panels: CPL = ((APPL/8) – 1) Color STN panels: CPL = (((3 x APPL) / 8) – 1)
15	///	Reserved Reading returns 0. Write the reset value.
14	IOE	Invert Output Enable IOE applies only to TFT modes and should be programmed to 0 for all other modes. In the TFT mode, the LCDENAB pin indicates to the LCD panel that valid display data is available. IOE selects the active polarity of this output enable signal. In the TFT mode, data is driven onto the LCD data lines at the programmed edge of LCDDCLK when LCDENAB is asserted. 1 = The LCDENAB output pin is active LOW 0 = The LCDENAB output pin is active HIGH
13	IPC	Invert Panel Clock IPC selects the active edge of the LCDDCLK signal. 1 = Data is driven on the LCD data lines on the falling-edge of LCDDCLK 0 = Data is driven on the LCD data lines on the rising-edge of LCDDCLK
12	IHS	Invert Horizontal Synchronization IHS selects the polarity of the LCDLP signal. 1 = The LCDLP pin is active LOW 0 = The LCDLP pin is active HIGH

Table 11-18. TIMING2 Fields (Cont'd)

BITS	FIELD NAME	DESCRIPTION
11	IVS	Invert the Vertical Synchronization Signal IVS selects the polarity of the LCDFP signal. 1 = LCDFP is active LOW 0 = LCDFP is active HIGH
10:6	ACB	AC Bias Signal Frequency ACB sets the frequency of the LCDENAB signal. STN modes: ACB applies to the CLCDC when it is operating in the STN mode. STN displays require periodic reversal of the pixel voltages in order to prevent damage to the STN panel due to DC charge accumulation. Program this field to select the required number of line clocks (the LCDLP signal) between each toggle of the AC bias signal (LCDENAB). $ACB = (\text{line clocks}) - 1$ TFT modes: This field has no effect if the CLCDC is operating in TFT mode because the LCDENAB pin is instead utilized for a Data Enable signal.
5	CSEL	Clock Select Use this bit to select the source for the LCD Clock. 1 = Use signal on the LCDCLKIN pin for LCD Clock 0 = Use HCLK as the LCD Clock
4:0	PCD	Panel Clock Divisor Program this field to select the LCD panel clock frequency (LCDDCLK frequency) from the input CLCDC CLOCK frequency. $LCDDCLK = (\text{CLCDC CLOCK}) / (\text{PCD} + 2)$ Mono STN modes: LCDDCLK for mono STN panels with a four- (or eight-) bit interface should be programmed to be 1/4 (or 1/8) the desired individual pixel clock rate. Color STN modes: Color STN displays receive multiple pixels during each clock cycle. The pixel data for Color STN displays is stored and transferred in packed format, with each pixel represented by three bits (R,G and B). Therefore, one byte contains the pixel data for 2 2/3 pixels (RGB,RGB,RG) and three bytes contain the pixel data for eight complete pixels. For Color STN panels, each LCDDCLK cycle transfers one byte, containing 2 2/3 pixels, to the panel. LCDDCLK should be programmed to be as close as possible to 3/8 the desired individual pixel clock rate. See Table 11-19 for additional STN mode restrictions. TFT mode: For TFT displays, the pixel clock divider can be bypassed by programming TIMING2:BCD = 1.

NOTE: As shown in Figure 11-5, the CLCDC CLOCK signal is fed from the LH7A404 clock-generation circuitry to the CLCDC. The CLCDC CLOCK is an input to the CLCDC. Data path latency restricts the usable minimum values of the Panel Clock Divider (PCD) bit field when operating in STN modes, shown in Table 11-19.

Table 11-19. TIMING2:PCD Restrictions in STN Modes

PANEL	TYPE	INTERFACE	PCD MINIMUM VALUE
Single	Color	(All)	PCD = 1 (LCDDCLK = CLCDC CLOCK/3)
Dual	Color	(All)	PCD = 4 (LCDDCLK = CLCDC CLOCK/6)
Single	Mono	4-bit	PCD = 2 (LCDDCLK = CLCDC CLOCK/4)
Dual	Mono	4-bit	PCD = 6 LCDDCLK = CLCDC CLOCK/8)
Single	Mono	8-bit	PCD = 6 (LCDDCLK = CLCDC CLOCK/8)
Dual	Mono	8-bit	PCD = 14 (LCDDCLK = CLCDC CLOCK/16)

11.3.5 LCD Upper Panel Base Address Register (UPBASE)

The UPBASE register must be programmed with the base address of the upper panel's frame buffer. The UPBASE register is used for TFT displays, single-panel STN displays, and the upper panel of dual-panel STN displays. The value in the UPBASE register is used for Color LCD DMA operations (frame buffer-to-panel). Also see the LCD Lower Panel Base address register. Both registers contain frame buffer base addresses.

Software must initialize UPBASE (and LPBASE, for dual panels) prior to enabling the CLCDC. The value in UPBASE can be changed in mid-frame to allow double-buffered video displays to be created.

The value in the UPBASE register is copied to the UPCUR register upon each LCD vertical synchronization. This event sets STATUS:BUI and can optionally generate an interrupt. The interrupt can be used to trigger reprogramming the base address when generating double-buffered video.

Table 11-17 defines the bit fields in the UPBASE register.

Table 11-20. UPBASE Register

BIT	31	30	29	28	27	26	25	24	23	22	21	20	19	18	17	16
FIELD	A31	A30	A29	A28	A27	A26	A25	A24	A23	A22	A21	A20	A19	A18	A17	A16
RESET	0	0	0	0	0	0	0	0	0	0	0	0	0	0	0	0
TYPE	RW	RW	RW	RW	RW	RW	RW	RW	RW	RW	RW	RW	RW	RW	RW	RW
BIT	15	14	13	12	11	10	9	8	7	6	5	4	3	2	1	0
FIELD	A15	A14	A13	A12	A11	A10	A9	A8	A7	A6	A5	A4	A3	A2	A1	A0
RESET	0	0	0	0	0	0	0	0	0	0	0	0	0	0	0	0
TYPE	RW	RW	RW	RW	RW	RW	RW	RW	RW	RW	RW	RW	RW	RW	RW	RW
ADDR	0x8000.3010															

Table 11-21. UPBASE Fields

BITS	FIELD NAME	DESCRIPTION
31:2	A31:A2	LCD Upper Panel Base Address This is the start address of the upper panel frame data stored in memory and is word-aligned.
1:0	A1:A0	A1 and A0 These two bits read as 0 and must always be written as 0.

11.3.6 LCD Lower Panel Base Address Register (LPBASE)

The LPBASE register is used for the lower panel of dual-panel STN displays and must be programmed with the base address of the lower panel's frame buffer. LPBASE is used for Color LCD DMA operations (frame buffer-to-panel). Also see the LCD Upper Panel Base address register. Both of these registers contain frame buffer base addresses.

When driving dual panels, software must initialize LPBASE prior to enabling the CLCDC. The value in LPBASE can be changed in mid-frame to allow double-buffered video displays to be created.

The value in the LPBASE register is copied to the LPCUR register upon each LCD vertical synchronization. This event sets STATUS:BUI and can optionally generate an interrupt. The interrupt can trigger reprogramming the base address when generating double-buffered video.

Table 11-19 explains the bit fields in the LPBASE register.

Table 11-22. LPBASE Register

BIT	31	30	29	28	27	26	25	24	23	22	21	20	19	18	17	16
FIELD	A31	A30	A29	A28	A27	A26	A25	A24	A23	A22	A21	A20	A19	A18	A17	A16
RESET	0	0	0	0	0	0	0	0	0	0	0	0	0	0	0	0
TYPE	RW	RW	RW	RW	RW	RW	RW	RW	RW	RW	RW	RW	RW	RW	RW	RW
BIT	15	14	13	12	11	10	9	8	7	6	5	4	3	2	1	0
FIELD	A15	A14	A13	A12	A11	A10	A9	A8	A7	A6	A5	A4	A3	A2	A1	A0
RESET	0	0	0	0	0	0	0	0	0	0	0	0	0	0	0	0
TYPE	RW	RW	RW	RW	RW	RW	RW	RW	RW	RW	RW	RW	RW	RW	RW	RW
ADDR	0x8000.3014															

Table 11-23. LPBASE Register Bit Fields

BITS	FIELD	DESCRIPTION
31:2	A31:A2	LCD Lower Panel Base Address This is the start address of the lower panel frame data in memory and is word-aligned.
1:0	A1:A0	A1 and A0 These two bits read as 0 and must always be written as 0.

11.3.7 LCD Interrupt Enable Register (INTREN)

The INTREN register enables and disables raw CLCDC interrupts.

The bits in the INTREN register are logically ANDed with the corresponding raw interrupt STATUS bit values to be passed to the INTERRUPT register. Thus, the masked interrupt states are reflected in the INTERRUPT register.

Table 11-25 shows the bit assignments for the INTREN register.

Table 11-24. INTREN Register

BIT	31	30	29	28	27	26	25	24	23	22	21	20	19	18	17	16	
FIELD	///																
RESET	0	0	0	0	0	0	0	0	0	0	0	0	0	0	0	0	
TYPE	RO	RO	RO	RO	RO	RO	RO	RO	RO	RO	RO	RO	RO	RO	RO	RO	
BIT	15	14	13	12	11	10	9	8	7	6	5	4	3	2	1	0	
FIELD	///												MBEIEIEN	VCIEN	BUIEN	FUIEN	///
RESET	0	0	0	0	0	0	0	0	0	0	0	0	0	0	0	0	
TYPE	RO	RO	RO	RO	RO	RO	RO	RO	RO	RO	RO	RW	RW	RW	RW	RO	
ADDR	0x8000.3018																

Table 11-25. INTREN Fields

BITS	FIELD	DESCRIPTION
31:5	///	Reserved Reading returns 0. Write the reset value.
4	MBEIEIEN	Bus Master ERROR Interrupt Enable 1 = Interrupt enabled 0 = Interrupt disabled
3	VCIEN	Vertical Compare Interrupt Enable 1 = Interrupt enabled 0 = Interrupt disabled
2	BUIEN	Next Base Update Interrupt Enable 1 = Interrupt enabled 0 = Interrupt disabled
1	FUIEN	FIFO Underflow Interrupt Enable 1 = Interrupt enabled 0 = Interrupt disabled
0	///	Reserved Reading returns 0. Write the reset value.

11.3.8 LCD Control Register (CONTROL)

The CONTROL register selects the CLCDC's mode of operation. Table 11-27 shows the bit assignments for the CONTROL register. All registers should be set up prior to programming LCDEN to 1.

Note that the operating mode (color/mono, bits-per-pixel, etc.) can only be changed between frames to avoid corruption of the current frame data. To ensure this is done properly, use the Vertical Compare Interrupt to detect that the current frame is complete. To do this, follow these steps when changing operating mode:

1. Program the CONTROL: VCI bit to 0b00 to generate the Vertical Compare Interrupt on entry to the Sync State. Enable this interrupt by programming the INTREN:VCIEN bit to 1.
2. Program the CONTROL:LCDEN bit to 0. The controller will complete the current frame before sampling this bit.
3. Wait for the Vertical Compare Interrupt. Upon assertion of the interrupt, program the new mode (e.g. from color to monochrome using the CONTROL:BW bit).

Then program the CONTROL:LCDEN bit to 1 and clear the Vertical Compare Interrupt by writing a 1 to the STATUS:VCI bit. The CLCDC will resume operating, using the newly programmed parameters.

Table 11-26. CONTROL Register

BIT	31	30	29	28	27	26	25	24	23	22	21	20	19	18	17	16
FIELD	///															WATERMARK
RESET	0	0	0	0	0	0	0	0	0	0	0	0	0	0	0	0
TYPE	RO	RO	RO	RO	RO	RO	RO	RO	RO	RO	RO	RO	RO	RO	RO	RW
BIT	15	14	13	12	11	10	9	8	7	6	5	4	3	2	1	0
FIELD	///		VCI		PWR	BEPO	BEBO	BGR	DUAL	MONO8L	TFT	BW	BPP			LCDEN
RESET	0	0	0	0	0	0	0	0	0	0	0	0	0	0	0	0
TYPE	RO	RO	RW	RW	RW	RW	RW	RW	RW	RW	RW	RW	RW	RW	RW	RW
ADDR	0x8000.301C															

Table 11-27. CONTROL Fields

BITS	FIELD	DESCRIPTION
31:17	///	Reserved Reading returns 0. Write the reset value.
16	WATERMARK	LCD DMA FIFO Watermark Level 1 = Requests data when either of the DMA FIFOs have eight or more empty locations. 0 = Requests data when either of the two DMA FIFOs have four or more empty locations.
15:14	///	Reserved Reading returns 0. Write the reset value.
13:12	VCI	LCD Vertical Compare Program to generate an interrupt at: 00 = start of vertical synchronization 01 = start of back porch 10 = start of active video 11 = start of front porch
11	PWR	LCD Power Enable This bit controls power to the LCD panel. For this bit to be functional, both the CONTROL:LCDEN and ALISETUP:ALIEN bits must be programmed to 1. If either of those bits is programmed to 0, LCD power is off regardless of the setting of the PWR bit. 1 = LCD power on 0 = LCD power off
10	BEPO	Big-Endian Pixel Ordering The BEPO bit selects between little and big-endian pixel packing for 1, 2 and 4 bpp display modes. The BEPO bit has no effect on 8 or 16 bpp pixel formats. 1 = Big-endian pixel ordering within a byte 0 = Little-endian ordering within a byte
9	BEBO	Big-Endian Byte Ordering to the LCD 1 = Big-endian byte order 0 = Little-endian byte order
8	BGR	RGB or BGR Format Selection 1 = Bits 14:10 and 4:0 swapped (blue and red swapped) 0 = Display data normal output
7	DUAL	Dual Panel STN LCD 1 = Dual panel LCD is in use 0 = Single panel LCD is in use
6	MONO8L	Monochrome LCD LCD is Monochrome with an 8-bit interface. This bit controls whether a monochrome STN LCD uses a 4 or an 8-bit parallel interface. It should be programmed to 0 for all other types of displays. 1 = Mono LCD uses 8-bit interface 0 = Mono LCD uses 4-bit interface
5	TFT	TFT LCD 1 = LCD is TFT — do not use grayscale 0 = LCD is an STN display — use grayscale

Table 11-27. CONTROL Fields (Cont'd)

BITS	FIELD	DESCRIPTION
4	BW	<p>Monochrome STN LCD LCD is Monochrome (Black and White) STN. This bit has no effect in TFT mode.</p> <p>1 = STN LCD is monochrome 0 = STN LCD is color</p>
3:1	BPP	<p>LCD Bits-Per-Pixel</p> <p>000 = 1 BPP 001 = 2 BPP 010 = 4 BPP 011 = 8 BPP 100 = 16 BPP 101 = Invalid 110 = Invalid 111 = Invalid</p>
0	LCDEN	<p>Color LCD Controller Enable LCD displays usually require that their logical signals be operating before the high voltages are applied to the display. Thus, the LCDVDDEN output signal is not asserted unless both the LCDEN and PWR bit fields have been programmed to 1. Most LCD displays require that the controller be enabled (LCDEN = 1) approximately 20 ms before power is applied to the LCD (PWR = 1). Most LCD displays also specify that the power-down sequence be the reverse of the power-up sequence.</p> <p>1 = Color LCD Controller enabled 0 = Color LCD Controller disabled</p>

11.3.9 Interrupt Status Register (STATUS)

The STATUS register provides the status of the raw LCD interrupts. The STATUS register contains 4 interrupt flags. A bit value of 1 indicates that the corresponding interrupt is asserted, even if not enabled in the INTREN register. STATUS and INTREN are logically ANDed to derive the masked interrupt values in the INTERRUPT register.

Interrupts are cleared by writing a 1 to the corresponding bit. Writing a 0 has no effect.

Table 11-29 shows the bit assignments for the STATUS register.

Table 11-28. STATUS Register

BIT	31	30	29	28	27	26	25	24	23	22	21	20	19	18	17	16
FIELD	///															
RESET	0	0	0	0	0	0	0	0	0	0	0	0	0	0	0	0
TYPE	RO	RO	RO	RO	RO	RO	RO	RO	RO	RO	RO	RO	RO	RO	RO	RO
BIT	15	14	13	12	11	10	9	8	7	6	5	4	3	2	1	0
FIELD	///											MBEI	VCI	BUI	FUI	///
RESET	0	0	0	0	0	0	0	0	0	0	0	0	0	0	0	0
TYPE	RO	RO	RO	RO	RO	RO	RO	RO	RO	RO	RO	RW	RW	RW	RW	RW
ADDR	0x8000.3020															

Table 11-29. STATUS Fields

BITS	FIELD	DESCRIPTION
31:5	///	Reserved Reading returns 0. Write the reset value.
4	MBEI	AMBA AHB Master Bus Error Status Indicates that the CLCDC AHB master has encountered a bus error response from a slave. 1 = Interrupt asserted 0 = Interrupt cleared
3	VCI	Vertical Compare Set to 1 when one of the four vertical regions selected in the CONTROL register is reached. 1 = Interrupt asserted 0 = Interrupt cleared
2	BUI	LCD Next Base Address Update Mode dependent; set to 1 when the Current Base Address registers have been successfully updated with the data from Next Address registers. Signifies that a new Next Address can be loaded if double buffering is in use. 1 = Interrupt asserted 0 = Interrupt cleared
1	FUI	FIFO Underflow Set to 1 when either the upper or lower DMA FIFOs have been accessed when empty, resulting in an underflow condition 1 = Interrupt asserted 0 = Interrupt cleared
0	///	Reserved Reading returns 0. Write the reset value.

11.3.10 Interrupt Register (INTERRUPT)

The INTERRUPT register provides masked interrupt status indications.

Each of the four bits in the LCD Interrupt register represents a bit-by-bit logical AND of the corresponding bit in the STATUS register with the corresponding bit in the INTREN register. A logical OR of all enabled interrupts is sent to the interrupt controller as a single bit.

Table 11-31 shows the bit field assignments for the INTERRUPT register.

Table 11-30. INTERRUPT Register

BIT	31	30	29	28	27	26	25	24	23	22	21	20	19	18	17	16	
FIELD	///																
RESET	0	0	0	0	0	0	0	0	0	0	0	0	0	0	0	0	
TYPE	RO	RO	RO	RO	RO	RO	RO	RO	RO	RO	RO	RO	RO	RO	RO	RO	
BIT	15	14	13	12	11	10	9	8	7	6	5	4	3	2	1	0	
FIELD	///												MBEIM	VCIM	BUIM	FUIM	///
RESET	0	0	0	0	0	0	0	0	0	0	0	0	0	0	0	0	
TYPE	RO	RO	RO	RO	RO	RO	RO	RO	RO	RO	RO	RO	RO	RO	RO	RO	
ADDR	0x8000.3024																

Table 11-31. INTERRUPT Fields

BITS	FIELD	DESCRIPTION
31:5	///	Reserved Reading returns 0. Write the reset value.
4	MBEIM	Masked AHB Master Error Interrupt 1 = Interrupt asserted and enabled 0 = Interrupt cleared
3	VCIM	Masked Vertical Compare Interrupt 1 = Interrupt asserted and enabled 0 = Interrupt cleared
2	BUIM	Masked LCD Next Base Address Update Interrupt 1 = Interrupt asserted and enabled 0 = Interrupt cleared
1	FUIM	Masked FIFO Underflow Interrupt 1 = Interrupt asserted and enabled 0 = Interrupt cleared
0	///	Reserved Reading returns 0. Write the reset value.

11.3.11 LCD Upper Panel Current Address Register (UPCUR)

The UPCUR register contains the present upper-panel LCD DMA address.

This is a read-only register; do not write to this register.

When read, The UPCUR register returns the value of the present upper panel LCD data DMA address. The contents of this register change dynamically, and therefore should be used only as a mechanism to implement a coarse delay.

Table 11-33 shows the bit assignments for the UPCUR register.

Table 11-32. UPCUR Register

BIT	31	30	29	28	27	26	25	24	23	22	21	20	19	18	17	16
FIELD	A31	A30	A29	A28	A27	A26	A25	A24	A23	A22	A21	A20	A19	A18	A17	A16
RESET	0	0	0	0	0	0	0	0	0	0	0	0	0	0	0	0
TYPE	RO	RO	RO	RO	RO	RO	RO	RO	RO	RO	RO	RO	RO	RO	RO	RO
BIT	15	14	13	12	11	10	9	8	7	6	5	4	3	2	1	0
FIELD	A15	A14	A13	A12	A11	A10	A9	A8	A7	A6	A5	A4	A3	A2	A1	A0
RESET	0	0	0	0	0	0	0	0	0	0	0	0	0	0	0	0
TYPE	RO	RO	RO	RO	RO	RO	RO	RO	RO	RO	RO	RO	RO	RO	RO	RO
ADDR	0x8000.3028															

Table 11-33. UPCUR Register Bit Fields

BITS	FIELD	DESCRIPTION
31:0	A31:A0	A31:A0 of the current upper panel data DMA address. Values change dynamically. Read only.

11.3.12 LCD Lower Panel Current Address Register (LPCUR)

The LPCUR register contains the real-time lower-panel LCD DMA address.

This is a read-only register. Do not write to this register.

When read, The LPCUR register returns the value of the present lower panel LCD data DMA address. The contents of this register change dynamically, and therefore should be used only as a mechanism to implement a coarse delay.

Table 11-35 shows the bit assignments for LPCUR.

Table 11-34. LPCUR Register

BIT	31	30	29	28	27	26	25	24	23	22	21	20	19	18	17	16
FIELD	A31	A30	A29	A28	A27	A26	A25	A24	A23	A22	A21	A20	A19	A18	A17	A16
RESET	0	0	0	0	0	0	0	0	0	0	0	0	0	0	0	0
TYPE	RO	RO	RO	RO	RO	RO	RO	RO	RO	RO	RO	RO	RO	RO	RO	RO
BIT	15	14	13	12	11	10	9	8	7	6	5	4	3	2	1	0
FIELD	A15	A14	A13	A12	A11	A10	A9	A8	A7	A6	A5	A4	A3	A2	A1	A0
RESET	0	0	0	0	0	0	0	0	0	0	0	0	0	0	0	0
TYPE	RO	RO	RO	RO	RO	RO	RO	RO	RO	RO	RO	RO	RO	RO	RO	RO
ADDR	0x8000.302C															

Table 11-35. LPCUR Fields

BITS	FIELD	DESCRIPTION
31:0	A31:A0	A31:A0 of the current lower panel data DMA address. Values change dynamically. Read-only; do not write.

11.3.13 LCD Overflow Register (OVERFLOW)

The CLCDC has access to an internal frame buffer in embedded SRAM and an extension buffer in SDRAM for dual panel or large displays.

- The LCD frame buffer is normally located within eSRAM.
- A larger frame buffer can be placed in eSRAM and overflow into external SDRAM.
- The frame buffer can be placed exclusively in external SDRAM.

The 80KB eSRAM accommodates the 75KB size of an 8 bpp, 320 × 240 VGA panel. Locating the LCD frame buffer in eSRAM minimizes power consumption and prevents the CLCDC from interfering with SDRAM arbitration by the Synchronous Dynamic Memory Controller (SDMC).

When the LCD frame buffer overflows, any address accessed beyond the embedded SRAM is adjusted by the OVERFLOW register to locate the rest of the Frame Buffer in external SDRAM. The OVERFLOW register points to the start of an overflow frame buffer in SDRAM. The LCD controller automatically uses this register as the base address for data accesses when the requested address is beyond the topmost location of the embedded SRAM (0xB001.3FFF). The overflow region starts at 0xB001.4000. Because the overflow buffer can be located on any 4KB page boundary within SDRAM, software can configure the MMU page tables to make the frame buffer appear as one contiguous memory space. See Figure 11-12 for an example.

Table 11-36. OVERFLOW Register

BIT	31	30	29	28	27	26	25	24	23	22	21	20	19	18	17	16
FIELD	OVERFLOW															
RESET	0	0	0	0	0	0	0	0	0	0	0	0	0	0	0	0
TYPE	RW	RW	RW	RW	RW	RW	RW	RW	RW	RW	RW	RW	RW	RW	RW	RW
BIT	15	14	13	12	11	10	9	8	7	6	5	4	3	2	1	0
FIELD	OVERFLOW						///									
RESET	0	0	0	0	0	0	0	0	0	0	0	0	0	0	0	0
TYPE	RW	RW	RW	RW	RW	RW	RW	RW	RW	RO	RO	RO	RO	RO	RO	RO
ADDR	0x8000.3030															

Table 11-37. OVERFLOW Fields

BITS	NAME	FUNCTION
31:12	OVERFLOW	Overflow Pointer Pointer to the start of an overflow frame buffer in SDRAM.
11:0	///	Reserved Reading returns 0. Write the reset value.

11.3.14 LCD Palette Registers (PALETTE)

The LH7A404 CLCDC includes 128 PALETTE registers. The LCD Palette registers contain 256 palette entries organized as 128 locations of two entries per register. Each palette entry occupies 16 bits and each register contains two complete palette entries. Values are stored in little-endian format.

Mono STN modes use only the red palette bits [4:1]. Color STN modes use the red palette bits [4:1], the green palette bits [4:1] and the blue palette bits [4:1]. TFT modes with fewer than 16 BPP use all of the palette bits, including the Intensity bit. The 16 BPP TFT mode bypasses the palette and routes data directly to the LCD.

Table 11-39 shows the bit assignments for a PALETTE register, when used with a 5:5:5 + Intensity TFT panel. Table 11-40 shows the arrangement for a 5:6:5 TFT. All PALETTE registers have the same bit fields. The reset state is indeterminate.

Table 11-38. PALETTE Registers

BIT	31	30	29	28	27	26	25	24	23	22	21	20	19	18	17	16
FIELD	MI	MB4	MB3	MB2	MB1	MB0	MG4	MG3	MG2	MG1	MG0	MR4	MR3	MR2	MR1	MR0
RESET	—	—	—	—	—	—	—	—	—	—	—	—	—	—	—	—
TYPE	RW	RW	RW	RW	RW	RW	RW	RW	RW	RW	RW	RW	RW	RW	RW	RW
BIT	15	14	13	12	11	10	9	8	7	6	5	4	3	2	1	0
FIELD	I	LB4	LB3	LB2	LB1	LB0	LG4	LG3	LG2	LG1	LG0	LR4	LR3	LR2	LR1	LR0
RESET	—	—	—	—	—	—	—	—	—	—	—	—	—	—	—	—
TYPE	RW	RW	RW	RW	RW	RW	RW	RW	RW	RW	RW	RW	RW	RW	RW	RW
ADDR	0x8000.3200 through 0x8000.33FC															

Table 11-39. PALETTE Register Bit Fields, BGR = 0, 5:5:5 + Intensity TFT

BITS	FIELD	DESCRIPTION
31	MI	Most Significant Intensity Bit See the bit 15 description in this table.
30:26	MB4:MB0	Most Significant Blue Palette Data See the bit 14:10 description in this table.
25:20	MG4:MG0	Most Significant Green Palette Data See the bit 9:5 description in this table.
19:16	MR4:MR0	Most Significant Red Palette Data See the bit 4:0 description in this table.
15	LI	Least Significant Intensity Bit Unused for STN displays. Can be used as the LSB of the R, G and B inputs to a 6:6:6 TFT display, effectively doubling the number of available colors from 32 K to 64 K, where each color has two different intensities.
14:10	LB4:LB0	Least Significant Blue Palette Data For color STN displays, only the four MSBs (bits 4:1) of each color are used.
9:5	LG4:LG0	Least Significant Green Palette Data For color STN displays, only the four MSBs (bits 4:1) of each color are used.
4:0	LR4:LR0	Least Significant Red Palette Data For color STN displays, only the four MSBs (bits 4:1) of each color are used. For monochrome STN displays, only the four MSBs (bits 4:1) of the red palette data is used.

Table 11-40. PALETTE Register Bit Fields, BGR = 0, 5:6:5 TFT

BITS	FIELD NAME	DESCRIPTION
31:27	MB4:MB0	Most Significant Blue Palette Data
26:20	MG5:MG0	Most Significant Green Palette Data
19:16	MR4:MR0	Most Significant Red Palette Data
15:11	LB4:LB0	Least Significant Blue Palette Data
10:5	LG5:LG0	Least Significant Green Palette Data
4:0	LR4:LR0	Least Significant Red Palette Data

11.4 ALI Register Reference

The Register Base Address for the ALI is:

CLCDC Base: 0x8000.1000.

11.4.1 ALI Memory Map

Programming of the setup and timing registers is done via the APB interface. The ALI must be configured prior to enabling the CLCDC for the first frame. The register memory map is shown in Table 11-41.

Table 11-41. Register Summary

ADDRESS OFFSET	REGISTER NAME	DESCRIPTION
0x000	ALISSETUP	ALI Setup Register
0x004	ALICONTROL	ALI Control Register
0x008	ALITIMING1	ALI Timing Register 1
0x00C	ALITIMING2	ALI Timing Register 2

11.4.2 ALI Register Descriptions

This section lists the definitions for each of the programmable registers that control the ALI.

11.4.3 ALI Setup Register (ALISSETUP)

The ALISSETUP register allows configuration of the ALI pixels-per-line, specifying scanning mode, and setting Bypass or Active mode. Change the ALI mode only when the CLCDC is disabled. Software should first disable the CLCDC by writing to CONTROL:LCDEN and CONTROL:PWR. See Section 11.3.8 for more information.

The scan mode bits (UBL and LBR) select the scan direction for the LCDUBL and LCDLBR pins, respectively.

Table 11-42. ALISSETUP Register

BIT	31	30	29	28	27	26	25	24	23	22	21	20	19	18	17	16
FIELD	///															
RESET	0	0	0	0	0	0	0	0	0	0	0	0	0	0	0	0
TYPE	RO	RO	RO	RO	RO	RO	RO	RO	RO	RO	RO	RO	RO	RO	RO	RO
BIT	15	14	13	12	11	10	9	8	7	6	5	4	3	2	1	0
FIELD	///		ALIEN	PPL									UBL	LBR	CR	
RESET	0	0	0	0	0	0	0	0	0	0	0	0	1	1	0	0
TYPE	RO	RO	RW	RW	RW	RW	RW	RW	RW	RW	RW	RW	RW	RW	RW	RW
ADDR	0x8000.1000															

Table 11-43. ALISSETUP Register Bits

BITS	FIELD	DESCRIPTION
31:14	///	Reserved Reading returns 0. Write the reset value.
13	ALIEN	ALI Enable This bit enables the ALI interface, configuring the multiplexed pins for ALI, and enabling the ALI internal clock. This bit must be programmed to 1 or the ALI pins will not be active. This bit must also be programmed to 1 for the CONTROL:PWR bit to be functional. 1 = Enable the ALI interface 0 = Disable the ALI interface
12:4	PPL	Pixels Per Line PPL = (Actual Pixels per line) – 1.
3	UBL	Upper Before Lower This bit selects the vertical scan mode. This bit is only functional when the ALI is enabled. 1 = Normal scanning; top to bottom 0 = Reverse scanning
2	LBR	Left Before Right This bit selects the horizontal scan mode. This bit is only functional when the ALI is enabled. 1 = Normal scanning; left to right 0 = Reverse scanning
1:0	CR	Conversion Mode Select This field selects the conversion mode (on/off) for the ALI. Change the ALI mode only when the CLCDC is disabled. 11 = Invalid 10 = Invalid 01 = Active Mode 00 = Bypass Mode (for STN or TFT panels)

11.4.4 ALI Control Register (ALICONTROL)

The ALICONTROL register controls the generation of the LCDCLS and LCDSPS ALI output signals.

This register should be programmed only after the appropriate CLCDC registers and the ALISETUP register have been programmed. These registers should be programmed in specific sequence. See Section 11.2.1.2 for additional information.

Table 11-45 presents the bit definitions for the ALICONTROL register.

Table 11-44. ALICONTROL Register

BIT	31	30	29	28	27	26	25	24	23	22	21	20	19	18	17	16
FIELD	///															
RESET	0	0	0	0	0	0	0	0	0	0	0	0	0	0	0	0
TYPE	RO	RO	RO	RO	RO	RO	RO	RO	RO	RO	RO	RO	RO	RO	RO	RO
BIT	15	14	13	12	11	10	9	8	7	6	5	4	3	2	1	0
FIELD	///														LCDCLSEN	LCDSPSEN
RESET	0	0	0	0	0	0	0	0	0	0	0	0	0	0	0	0
TYPE	RO	RO	RO	RO	RO	RO	RO	RO	RO	RO	RO	RO	RO	RO	RO	RW
ADDR	0x8000.1004															

Table 11-45. ALICONTROL Register Bit Fields

BITS	FIELD	DESCRIPTION
31:2	///	Reserved Reading returns 0. Write the reset value.
1	LCDCLSEN	<p>LCDCLS Enable</p> <p>STN or TFT (Bypass) modes: Reserved Reading returns 0. Values written cannot be read.</p> <p>Active mode: Enables or disables the generation of the LCDCLS (Gate Driver Clock) signal.</p> <p>1 = LCDCLS signal enabled 0 = LCDCLS signal disabled</p>
0	LCDSPSEN	<p>LCDSPS Enable</p> <p>STN or TFT (Bypass) modes: Reserved Reading returns 0. Values written cannot be read.</p> <p>Active mode: Enables or disables the generation of the LCDSPS (Row Reset) signal.</p> <p>1 = LCDSPS signal is enabled 0 = LCDSPS signal is disabled</p>

11.4.5 ALI Timing 1 Register (ALITIMING1)

The ALITIMING1 register specifies the required delays for Row and Column driver chip control signals LCDLP, LCDREV, LCDPS and LCDCLS. Table 11-47 gives the bit definitions for the ALITIMING1 register.

Table 11-46. ALITIMING1 Register

BIT	31	30	29	28	27	26	25	24	23	22	21	20	19	18	17	16
FIELD	///															
RESET	0	0	0	0	0	0	0	0	0	0	0	0	0	0	0	0
RW	RO	RO	RO	RO	RO	RO	RO	RO	RO	RO	RO	RO	RO	RO	RO	RO
BIT	15	14	13	12	11	10	9	8	7	6	5	4	3	2	1	0
FIELD	///				PSCLS				REVDEL				LPDEL			
RESET	0	0	0	0	0	0	0	0	0	0	0	0	0	0	0	0
RW	RO	RO	RO	RO	RW	RW	RW	RW	RW	RW	RW	RW	RW	RW	RW	RW
ADDR	0x8000.1008															

Table 11-47. ALITIMING1 Bits

BIT	FIELD	DESCRIPTION
31:12	///	Reserved Reading returns 0. Write Reset Value.
11:8	PSCLS	LCDPS and LCDCLS Delay Controls the delay in LCDDCLK periods from the first rising edge of the internal CLCDC clock after the leading edge of the internal LCDPS and LCDCLS signals, to the leading edge of the LCDREV signal. PSCLS = (LCDDCLK periods) – 1
7:4	REVDEL	Polarity-Reversal Delay* Controls the delay in LCDDCLK periods from the first assertion of the LCDLP (horizontal sync) signal, to the de-assertion of the LCDREV signal. REVDEL = (LCDDCLK periods) – 1
3:0	LPDEL	LCDLP Delay Controls the delay in LCDDCLK periods from the first rising edge of the internal CLCDC clock after the leading edge of the internal LCDLP signal, to the leading edge of the LCDLP signal. LPDEL = (LCDDCLK periods) – 1

NOTE: *The LCDREV signal generated by the ALI is intended for input to a grayscale ASIC associated with an AD-TFT or HR-TFT display. In this application, it acts as a type of AC Bias signal, switching at a horizontal-line rate, synchronized to the LCDDCLK signal. The LCDREV signal is not intended to reverse the panel's direction-of-scan. Panels utilizing the LCDREV signal must be programmed to utilize an 'odd' number of horizontal display lines. If the panel is programmed to display an 'even' number of horizontal lines, then the net AC Bias applied to each line of the panel will not average to 0 VDC and the panel can suffer long-term damage.

11.4.6 ALI Timing 2 Register (ALITIMING2)

The ALITIMING2 register specifies the required delays for the panel's Row and Column driver chip control signal. There are two pins on the LH7A404 for connecting the Start Pulse to the LCD. For normal (right-to-left) scanning, use the LCDSPL pin; for reverse (left-to-right) scanning, use the LCDSPR pin. This timing register sets up both signals; choose the one that corresponds to the scan type required by the application LCD panel.

Table 11-49 gives the bit definitions for this register.

Table 11-48. ALITIMING2 Register

BIT	31	30	29	28	27	26	25	24	23	22	21	20	19	18	17	16
FIELD	///															
RESET	0	0	0	0	0	0	0	0	0	0	0	0	0	0	0	0
TYPE	RO	RO	RO	RO	RO	RO	RO	RO	RO	RO	RO	RO	RO	RO	RO	RO
BIT	15	14	13	12	11	10	9	8	7	6	5	4	3	2	1	0
FIELD	SPLDEL								PS2CLS2							
RESET	0	0	0	0	0	0	0	0	0	0	0	0	0	0	0	0
TYPE	RW	RW	RW	RW	RW	RW	RW	RW	RW	RW	RW	RW	RW	RW	RW	RW
ADDR	0x8000.100C															

Table 11-49. ALITIMING2 Fields

BITS	FIELD	DESCRIPTION
31:16	///	Reserved Reading returns 0. Write the reset value.
15:9	SPLDEL	LCDSPL Delay Controls the delay in LCDDCLK periods of the LCDSPL and LCDSPR signals during vertical front and back porches. This field must be programmed to a value greater than the sum of (TIMING0:HSW + TIMING0:HBP). SPLDEL = (LCDDCLK periods) – 1
8:0	PS2CLS2	LCDSPL and LCDCLS Delay 2 Controls the delay in LCDDCLK periods from the first rising edge of the LCDSPL/LCDSPR signal to the trailing edge of the LCDCLS and LCDPS signals. PS2CLS2 = (LCDDCLK periods) – 1

11.5 Color LCD System Timing Waveforms

This section contains typical output waveform diagrams.

11.5.1 STN Horizontal Timing

Figure 11-8 presents typical horizontal timing waveforms for STN panels.

Figure 11-8 shows that the CLCDC Clock (an input to the CLCDC) is scaled within the CLCDC and utilized to produce the LCDDCLK output.

Figure 11-9 presents typical vertical timing waveforms for STN panels.

11.5.2 TFT Horizontal Timing

Figure 11-10 presents typical horizontal timing waveforms for TFT panels.

11.5.3 TFT Vertical Timing

Figure 11-11 presents typical vertical timing waveforms for TFT panels.

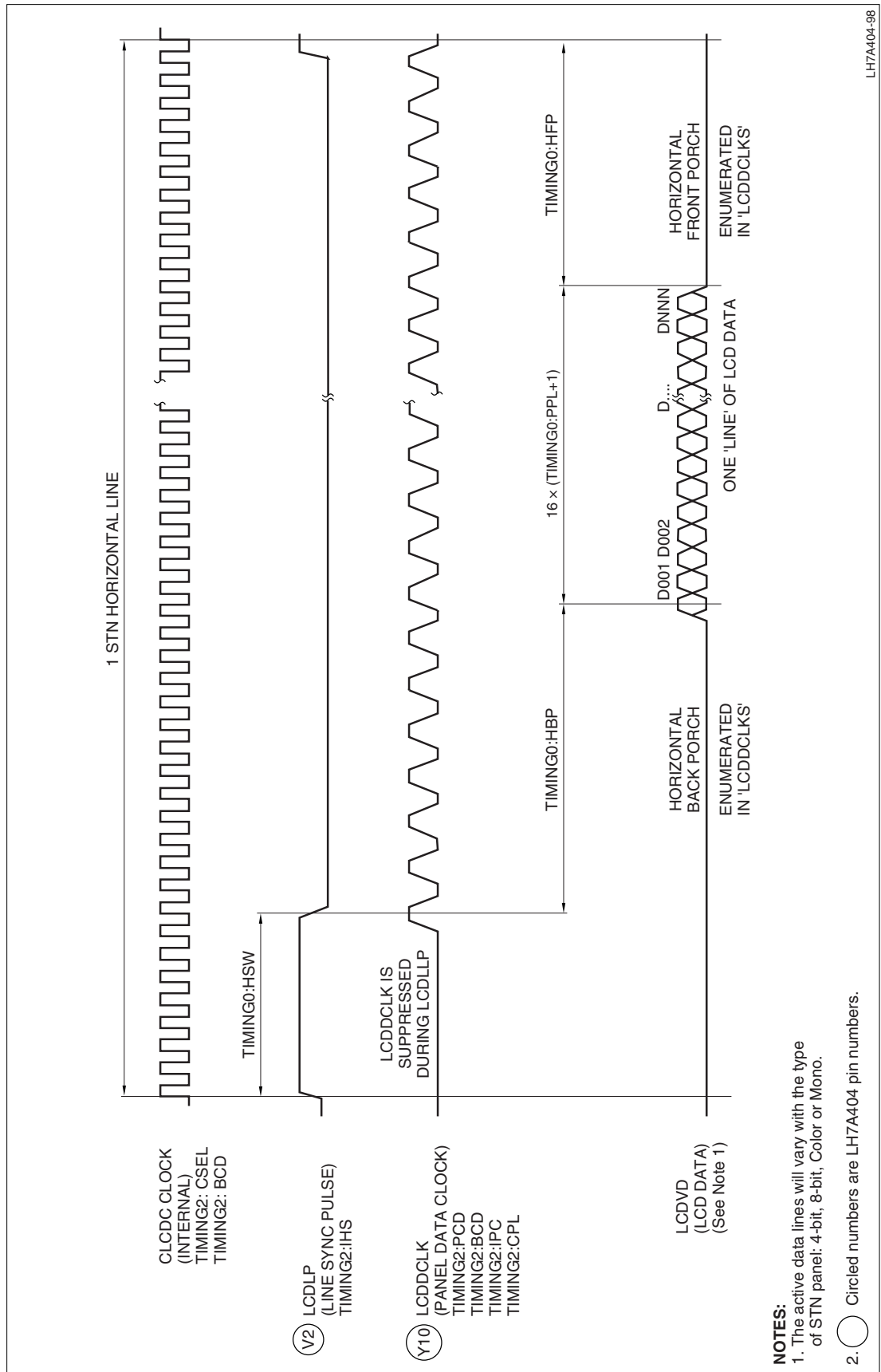
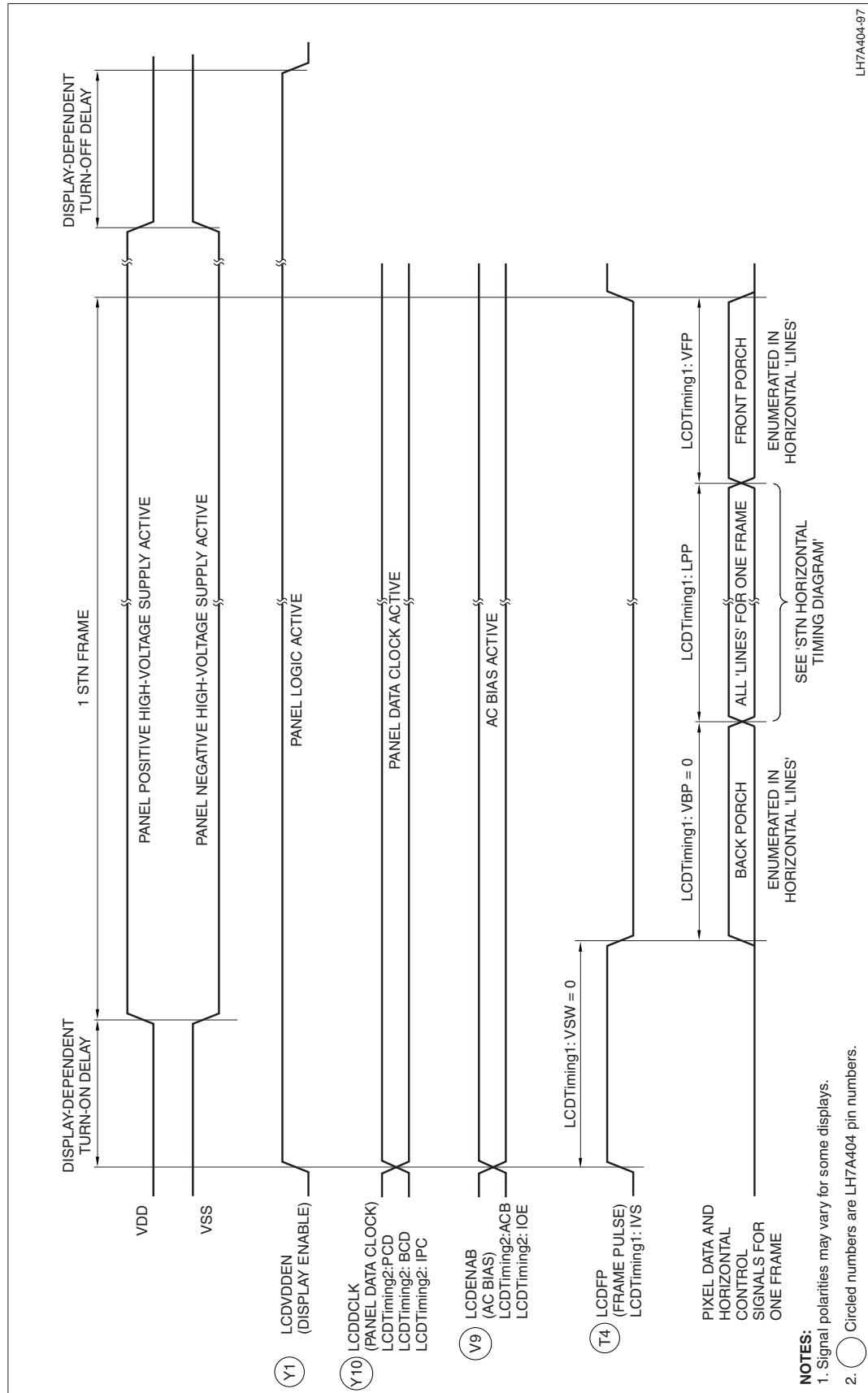


Figure 11-8. STN Horizontal Timing Diagram



LH7A404-97

Figure 11-9. STN Vertical Timing Diagram

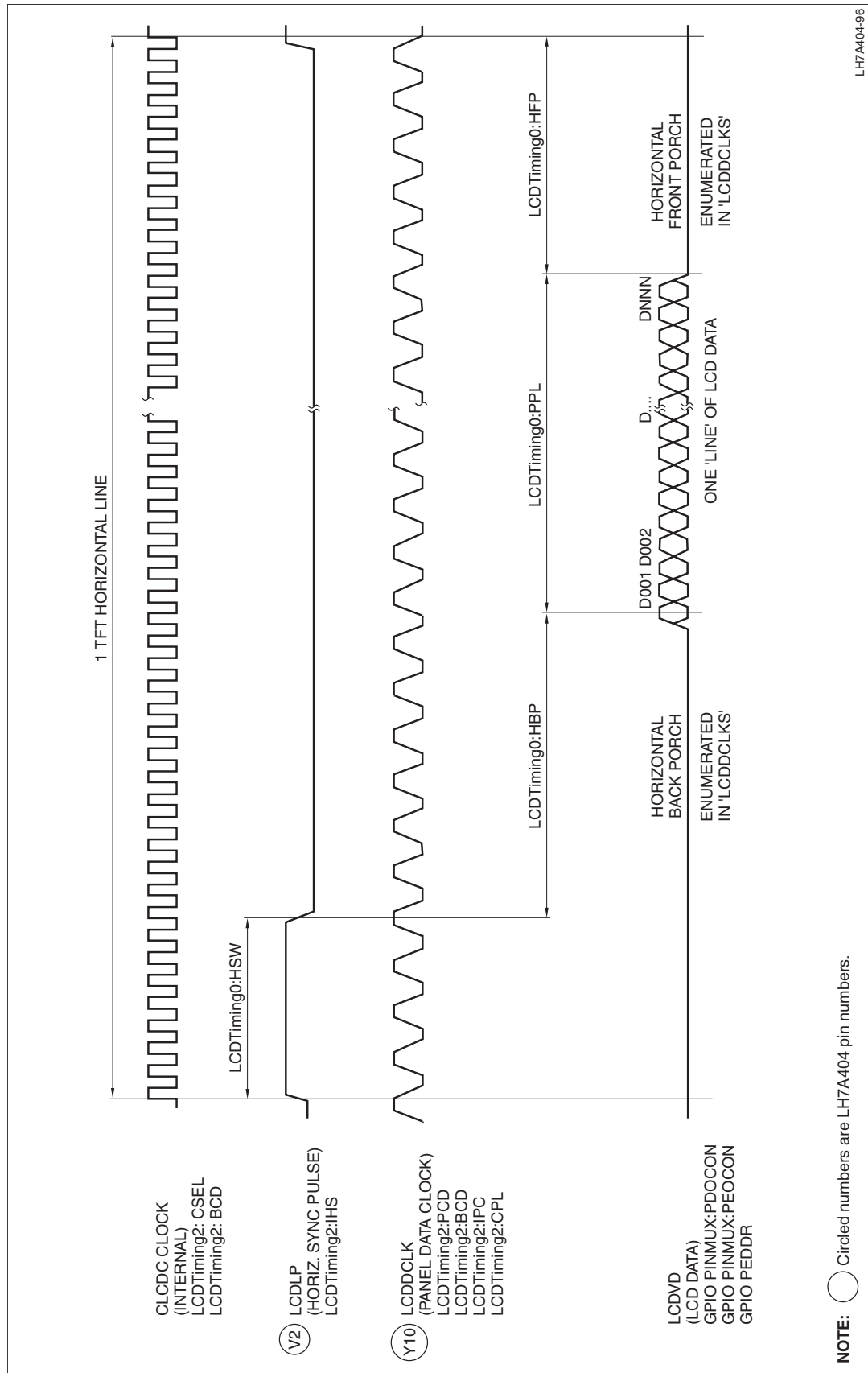


Figure 11-10. TFT Horizontal Timing Diagram

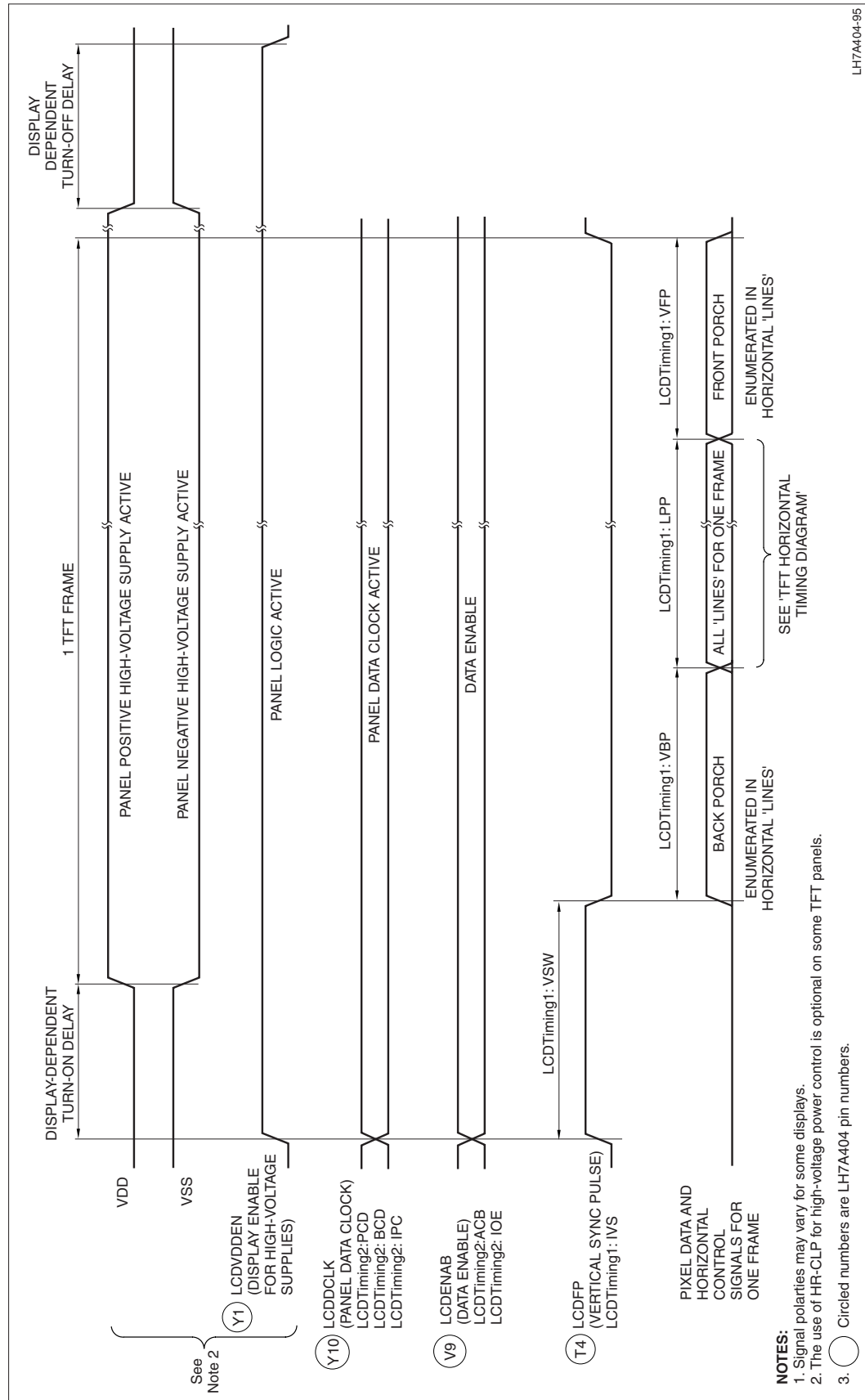


Figure 11-11. TFT Vertical Timing Diagram

11.5.4 AD-TFT and HR-TFT Horizontal Timing Waveforms

Figure 11-12 presents typical horizontal timing waveforms for AD-TFT and HR-TFT panels. The ALI adjusts and delays the normal TFT timing for the Row and Column driver chips integrated into AD-TFT and HR-TFT panels. Other panels requiring the use of the ALI will have similar timing waveforms.

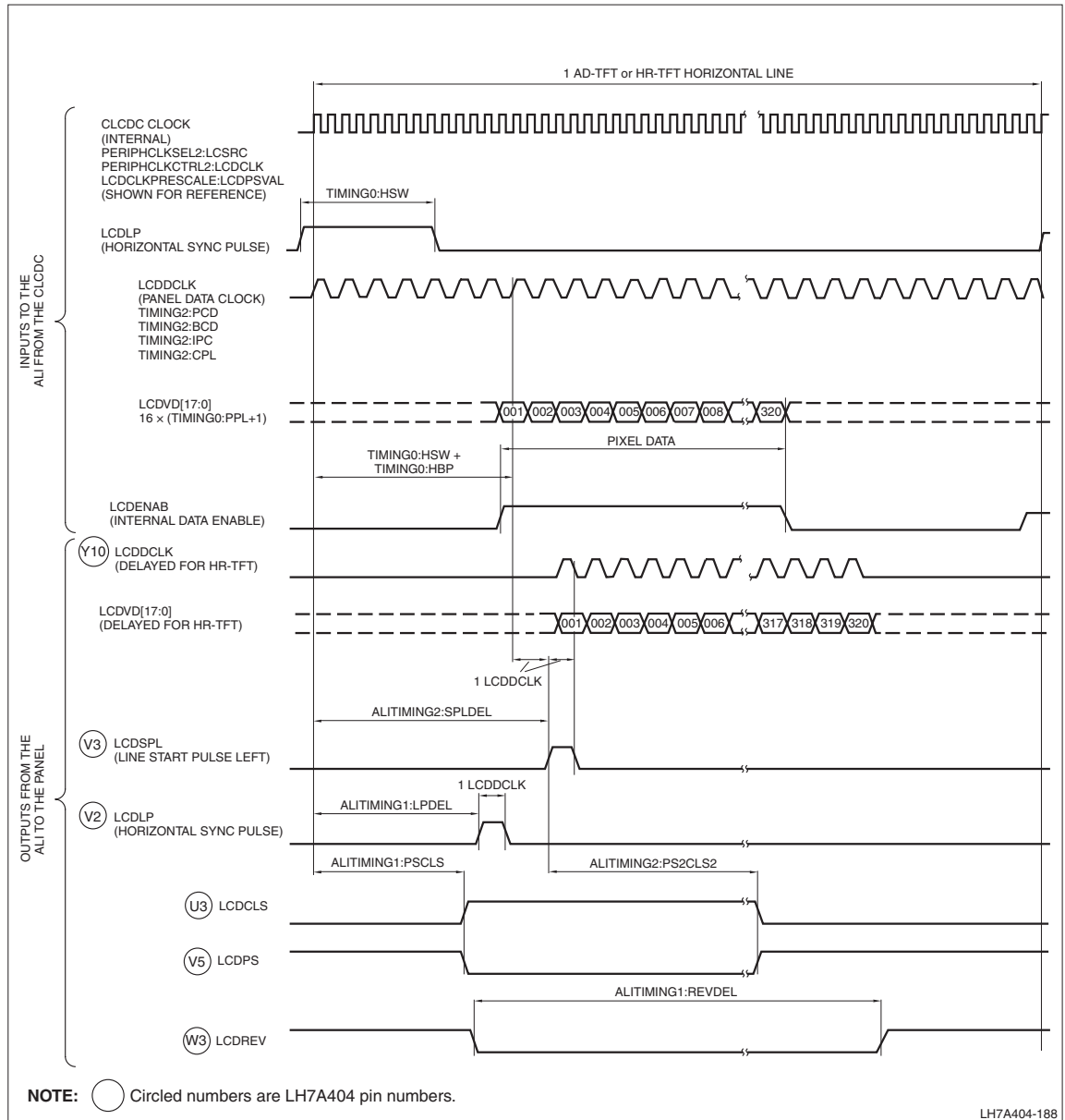


Figure 11-12. AD-TFT and HR-TFT Horizontal Timing Diagram

11.5.5 AD-TFT and HR-TFT Vertical Timing

Figure 11-13 presents typical vertical timing waveforms for AD-TFT and HR-TFT panels. The power sequencing and register information is the same as for TFT vertical timing.

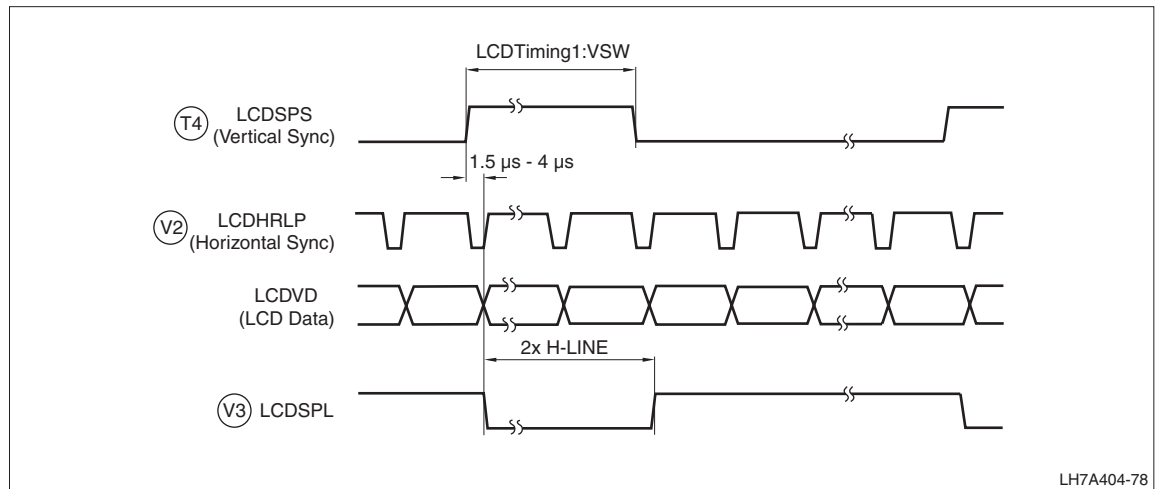


Figure 11-13. AD-TFT and HR-TFT Vertical Timing Diagram

LH7A404-78

Chapter 12

Timers

12.1 Theory of Operation

The LH7A404 provides three 16-bit Timers usable by software to monitor and control timed events in the system. A Timer marks time by periodically decrementing a value register and asserting an interrupt when the value register contains 0.

Timer1 and Timer2 have identical operation and Timer3 is slightly different. When two or more Timers or registers operate identically, this chapter uses an x to indicate discussion of multiple items. For example, LOADx refers the LOAD1, LOAD2, and LOAD3 registers collectively; Timerx refers to all three timers collectively. Timer[2:1] refers to Timer2 and Timer1 collectively.

All Timers have the following in common:

- Each Timer uses a dedicated set of LOAD, VALUE, CONTROL, and End-of-Interrupt (TCEOI) registers. A LOADx register contains the Initial and Reload Timer values. Reading a VALUEx register returns the corresponding Timerx value. A CONTROLx register enables and disables the corresponding Timerx and configures the corresponding Timerx mode. Writing an TCEOIx register clears the corresponding Timerx interrupt.
- Each Timer can operate in Free Running or Periodic mode. In Free Running mode, a Timer wraps from 0 to 0xFFFF and continues decrementing. In Periodic mode, a Timer reloads the Initial value after reaching 0 and continues decrementing. To select the mode for Timerx, write the corresponding Control register Mode field (CONTROLx:MODE).
- Software can read any Timerx value at any time in the corresponding VALUEx register.
- Writing a value to LOADx loads the value immediately for the corresponding Timerx.
- Each Timerx is started and stopped by writing the appropriate value to the CONTROLx:ENABLE bit. Because the phase of a Timer's clock with respect to the execution pipeline cannot be predicted, there is an uncertainty of up to one Timerx clock period between the setting of the CONTROLx:ENABLE bit and the first decrement of the VALUEx register.
- Each Timer interrupt is enabled and disabled in the LH7A404 Vectored Interrupt Controller (VIC). These registers are mapped with the VIC, not with the Timers.
- Any Timer interrupt is asserted on the first clock cycle after the corresponding Timer value underflows.

Differences between Timer[2:1] and Timer3 are:

- The Timer[2:1] clock sources are 508.469 kHz and 1.994 kHz. To select the clock source for a Timer, write the corresponding Control register Clock Select field (CONTROL[2:1]:CLKSEL). Timer3 uses either the internal 3.6864 MHz clock source or an external clock source connected to the CTCLKIN pin. The Timer3 clock source is selected through CONTROL3:CLKSEL. CONTROL3:CLKSEL=1 selects the external source, and CONTROL3:CLKSEL=0 selects the internal source.
- Timer1 can control the buzzer output signal (TBUZ). With the Buzzer Control register Buzzer Drive Mode field set (BZCON:BZMOD), a Timer1 underflow toggles TBUZ. The maximum buzzer output frequency is 254 kHz. To control TBUZ via software instead of via Timer1, do the following:
 1. Clear BZCON:BZMOD.
 2. Set and clear the BZCON Buzzer Toggle field (BZCON:BZTOG) to toggle TBUZ.

12.2 Register Reference

This section defines the Timer registers.

12.2.1 Memory Map

The Timer register offsets shown in Table 12-1 are relative to the Timer base address, 0x8000.0C00.

Table 12-1. Timers Memory Map

OFFSET ADDRESS	NAME	DESCRIPTION
0x00	LOAD1	Allows setting or reading the initial Timer1 value
0x04	VALUE1	Allows reading the current Timer1 value
0x08	CONTROL1	Allows setting or reading the Timer1 configuration
0x0C	TCEO1	Clears the Timer1 interrupt
0x10	///	Reserved. Reading this register can return unpredictable values. Avoid writing this register.
0x20	LOAD2	Allows setting or reading the initial Timer2 value
0x24	VALUE2	Allows reading the current Timer2 value
0x28	CONTROL2	Allows setting or reading the Timer2 configuration
0x2C	TCEO2	Clears the Timer2 interrupt
0x40	BZCON	Allows setting or reading the buzzer output configuration
0x80	LOAD3	Allows setting or reading the initial Timer3 value
0x84	VALUE3	Allows reading the current Timer3 value
0x88	CONTROL3	Allows setting or reading the Timer3 configuration
0x8C	TCEO3	Clears the Timer3 interrupt
0x30 - 0x90	///	Reserved. Reading these locations can return unpredictable values. Avoid writing these locations.

12.2.2 Register Descriptions

The following sections describe the contents and use of the register bit fields.

12.2.2.1 Timer Load Registers (LOADx)

These registers, described in Table 12-2 and Table 12-3, contain the following:

- The corresponding Timerx initial value.
- The corresponding Timerx reload values in Periodic Timer mode.

Table 12-2. LOADx Registers

BIT	31	30	29	28	27	26	25	24	23	22	21	20	19	18	17	16
FIELD	///															
RESET	0	0	0	0	0	0	0	0	0	0	0	0	0	0	0	0
TYPE	RO	RO	RO	RO	RO	RO	RO	RO	RO	RO	RO	RO	RO	RO	RO	RO
BIT	15	14	13	12	11	10	9	8	7	6	5	4	3	2	1	0
FIELD	LOAD															
RESET	0	0	0	0	0	0	0	0	0	0	0	0	0	0	0	0
TYPE	RW	RW	RW	RW	RW	RW	RW	RW	RW	RW	RW	RW	RW	RW	RW	RW
ADDR	0x8000.0C00 for LOAD1 0x8000.0C20 for LOAD2 0x8000.0C80 for LOAD3															

Table 12-3. LOADx Fields

BITS	NAME	DESCRIPTION
31:16	///	Reserved Reading this field returns 0. Values written to this field cannot be read back.
15:0	LOAD	LOADx Specifies the initial Timer value. The Timer decrements from this value.

12.2.2.2 Timer Value Registers (VALUEx)

The value registers, shown in Table 12-4 and Table 12-5, report the current Timer value.

Table 12-4. VALUEx Registers

BIT	31	30	29	28	27	26	25	24	23	22	21	20	19	18	17	16
FIELD	///															
RESET	0	0	0	0	0	0	0	0	0	0	0	0	0	0	0	0
TYPE	RO	RO	RO	RO	RO	RO	RO	RO	RO	RO	RO	RO	RO	RO	RO	RO
BIT	15	14	13	12	11	10	9	8	7	6	5	4	3	2	1	0
FIELD	VALUE															
RESET	0	0	0	0	0	0	0	0	0	0	0	0	0	0	0	0
TYPE	RO	RO	RO	RO	RO	RO	RO	RO	RO	RO	RO	RO	RO	RO	RO	RO
ADDR	0x8000.0C04 for VALUE1 0x8000.0C24 for VALUE2 0x8000.0C84 for VALUE3															

Table 12-5. VALUEx Fields

BITS	NAME	DESCRIPTION
31:16	///	Reserved Reading this field returns 0. Avoid writing this register.
15:0	VALUE	VALUEx Read this field to identify the current Timer value.

12.2.2.3 Timer End-of-Interrupt Registers (TCEOIx)

Writing any 32-bit value to an End-of-Interrupt register clears the corresponding interrupt. These registers are shown in Table 12-6 and Table 12-7.

Table 12-6. TCEOIx Registers

BIT	31	30	29	28	27	26	25	24	23	22	21	20	19	18	17	16
FIELD	TCEOI															
RESET	0	0	0	0	0	0	0	0	0	0	0	0	0	0	0	0
TYPE	WO	WO	WO	WO	WO	WO	WO	WO	WO	WO	WO	WO	WO	WO	WO	WO
BIT	15	14	13	12	11	10	9	8	7	6	5	4	3	2	1	0
FIELD	TCEOI															
RESET	0	0	0	0	0	0	0	0	0	0	0	0	0	0	0	0
TYPE	WO	WO	WO	WO	WO	WO	WO	WO	WO	WO	WO	WO	WO	WO	WO	WO
ADDR	0x8000.0C0C for TCEOI1 0x8000.0C2C for TCEOI2 0x8000.0C8C for TCEOI3															

Table 12-7. TCEOIx Fields

BITS	NAME	DESCRIPTION
31:0	TCEOI	TCEOIx Reading this field returns 0. Writing any value to this field deasserts the corresponding Timer interrupt.

12.2.2.4 Timer Control Registers (CONTROLx)

The Timer1 and Timer2 control registers, shown in Table 12-8 and Table 12-9, provide enable, disable, and mode configurations for the corresponding Timers. This configuration applies to both Timer1 and Timer2 because these counters share the same input clock sources.

Timer3 uses a 3.6864 MHz clock derived from the oscillator. This frequency remains unchanged when the HCLK frequency changes. The Timer3 control register is shown in Table 12-10 and Table 12-11.

Table 12-8. CONTROL[2:1] Registers

BIT	31	30	29	28	27	26	25	24	23	22	21	20	19	18	17	16
FIELD	///															
RESET	0	0	0	0	0	0	0	0	0	0	0	0	0	0	0	0
TYPE	RO	RO	RO	RO	RO	RO	RO	RO	RO	RO	RO	RO	RO	RO	RO	RO
BIT	15	14	13	12	11	10	9	8	7	6	5	4	3	2	1	0
FIELD	///								ENABLE	MODE	///		CLKSEL	///		
RESET	0	0	0	0	0	0	0	0	0	0	0	0	0	0	0	0
TYPE	RO	RO	RO	RO	RO	RO	RO	RO	RW	RW	RO	RO	RW	RO	RO	RO
ADDR	0x8000.0C08 for CONTROL1 0x8000.0C28 for CONTROL2															

Table 12-9. CONTROL[2:1] Fields

BITS	FIELD	DESCRIPTION
31:8	///	Reserved Reading this field returns 0. Values written to this field cannot be read back.
7	ENABLE	Enable Timer[2:1] 1 = Enable the specified Timer 0 = Disable the specified Timer
6	MODE	Timer[2:1] Mode Selects the Timer operating mode: 1 = Periodic 0 = Free Running
5:4	///	Reserved Reading this field returns 0. When writing this register, ensure this field is 0.
3	CLKSEL	Timer[2:1] Clock Select Selects the clock for the specified Timer 1 = 508 kHz 0 = 2 kHz
2:0	///	Reserved Reading this field returns 0. Values written to this field cannot be read back.

Table 12-10. CONTROL3 Register

BIT	31	30	29	28	27	26	25	24	23	22	21	20	19	18	17	16
FIELD	///															
RESET	0	0	0	0	0	0	0	0	0	0	0	0	0	0	0	0
TYPE	RO	RO	RO	RO	RO	RO	RO	RO	RO	RO	RO	RO	RO	RO	RO	RO
BIT	15	14	13	12	11	10	9	8	7	6	5	4	3	2	1	0
FIELD	///								ENABLE	MODE	///		CLKSEL	///		
RESET	0	0	0	0	0	0	0	0	0	0	0	0	0	0	0	0
TYPE	RO	RO	RO	RO	RO	RO	RO	RO	RW	RW	RO	RO	RW	RO	RO	RO
ADDR	0x8000.0C88															

Table 12-11. CONTROL3 Fields

BITS	NAME	DESCRIPTION
31:8	///	Reserved Reading this field returns 0. Values written to this field cannot be read back.
7	ENABLE	Enable Timer3 1 = Enable Timer3 2 = Disable Timer3
6	MODE	Timer3 Mode Selects the Timer mode: 1 = Periodic 0 = Free Running
5:4		Reserved Reading this field returns 0. When writing this register, ensure this field is 0. Values written to this field cannot be read back.
3	CLKSEL	Clock Source Select This bit allows selection of the internal nominal 3.6864 MHz clock as the time base for Timer3, or a clock from an external source input on the CTCLKIN pin. 1 = Use external clock on the CTCLKIN pin 0 = Use internal clock
2:0	///	Reserved Reading this field returns 0. When writing this register, ensure this field is 0. Values written to this field cannot be read back.

12.2.2.5 Timer Buzzer Count Register (BZCON)

Timer1 can control the buzzer output signal. The buzzer count register, shown in Table 12-12 and Table 12-13, controls the buzzer drive output. The buzzer operation, as controlled by the interaction between the BZMOD and BZTOG fields, is shown in Table 12-14.

Table 12-12. BZCON Register

BIT	31	30	29	28	27	26	25	24	23	22	21	20	19	18	17	16	
FIELD	///																
RESET	0	0	0	0	0	0	0	0	0	0	0	0	0	0	0	0	
TYPE	RO	RO	RO	RO	RO	RO	RO	RO	RO	RO	RO	RO	RO	RO	RO	RO	
BIT	15	14	13	12	11	10	9	8	7	6	5	4	3	2	1	0	
FIELD	///														BZMOD	BZTOG	
RESET	0	0	0	0	0	0	0	0	0	0	0	0	0	0	0	0	
TYPE	RO	RO	RO	RO	RO	RO	RO	RO	RO	RO	RO	RO	RO	RO	RO	RW	RW
ADDR	0x8000.0C40																

Table 12-13. BZCON Fields

BITS	FIELD	DESCRIPTION
31:2	///	Reserved Reading this field returns 0. Values written to this field cannot be read back.
1	BZMOD	Buzzer Mode Selects the buzzer drive mode. 1 = The Timer1 underflow condition drives the buzzer signal (TBUZ, pin K1). 0 = Software drives the BZTOG bit to drive TBUZ.
0	BZTOG	Buzzer Toggle Drives the TBUZ signal directly. Software can periodically set and clear this bit to pulse the output.

Table 12-14. BUZ Operation

BZMOD	BZTOG	TBUZ
0	0	LOW
0	1	HIGH
1	X	Driven by Timer0 underflow

Chapter 13

Watchdog Timer (WDT)

13.1 Theory of Operation

The Watchdog Timer (WDT) is programmed with a timing value and decrements that value on each PCLK cycle. Upon underflow, (timing out) the WDT causes either a reset or an interrupt.

The WDT allows a 'sanity check' to be programmed into software. With the WDT enabled (EN set), software must reset the WDT at regular intervals to avoid an interrupt or resetting the system. This provides a safeguard mechanism against software malfunctions. When first enabled or when reset, the WDT begins or resumes counting from the programmed timing value.

The WDT does not operate in either STANDBY or HALT mode. When the LH7A404 returns from either STANDBY or HALT, the WDT will contain the same count as when it entered either mode.

13.1.1 WDT Configuration

The WDT is enabled and disabled by programming the Control register Enable field (CTL:EN). To reset the WDT, program the Reset register (RST) with the value 0x1984. To prevent the WDT from being inadvertently disabled, the Enable function can be locked by setting the CTL Freeze field (CTL:FRZ).

CAUTION

Once set, FRZ can only be cleared by a reset. Ensure that the WDT will always be serviced by software before freezing the enable bit.

To configure the initial value, program the CTL Timeout Code field (CTL:TOC). The value in TOC specifies one of 16 time-out periods, ranging from 2^{16} through 2^{31} PCLK cycles. When the WDT is enabled or reset, the value in CTL:TOC is loaded into the Count registers (COUNT[3:0]) and the WDT starts decrementing.

COUNT[3:0] are a set of registers operating as a cascaded counter, reporting the current WDT decrementing value:

- COUNT3 contains bits 31 through 24 of the current value.
- COUNT2 contains bits 23 through 16 of the current value.
- COUNT1 contains bits 15 through 8 of the current value.
- COUNT0 contains bits 7 through 0 of the current value.
- When all of COUNT[3:0] are 0, the WDT has timed out.

Software can set WDT operation to cause a reset, or an interrupt followed by a reset:

- To cause a reset after one WDT timeout, program the CTL Interrupt First field (CTL:IF) to 0.
- To generate an interrupt after one WDT timeout, and a reset only if the interrupt is not serviced, program CTL:IF to 1. The first timeout sends an interrupt to the LH7A404 Vectored Interrupt Controller (VIC). This interrupt is also reported in the Status register INT field (STATUS:INT). Unless software services this interrupt and resets the WDT, a second timeout causes a reset.
 - The VIC allows programming the type of interrupt generated by the WDT. INTSEL1:WDTIN can be programmed to 1 to generate an FIQ, or 0 to generate an IRQ. After reset, this bit is programmed to 0, for an IRQ.

NOTE: An interrupt will not be generated during HALT or STANDBY Mode.

13.1.1.1 Interrupt Generation

A false interrupt can be generated in the VIC following reset. To prevent this, the following sequence must be executed by software after reset to insure proper operation.

1. Program the CTL:EN bit to 0.
2. Program a 1 to the Interrupt Enable Clear register, bit 1 (INTENCLR1:WDTIN; see the VIC chapter) to clear the interrupt generated after reset.
3. Program CTL:TOC to the desired count value (do not program the remaining values of CTL at this time; leave them in their reset states of 0).
4. Write 0x1984 to the RST register to reset the WDT and load the new TOC value to the COUNTx registers.
5. Program the Interrupt Enable register, bit 1 (INTEN1:WDTIN) to enable the WDT interrupt.
6. Program CTL:EN to 1 (program the remaining CTL bits at this time).

The WDT will now begin counting from the value programmed in CTL:TOC and will generate either an interrupt or a reset, depending on the value programmed in CTL:IF.

13.1.1.2 Initialization Following Reset

Prior to use after power up, and following any reset, the CTL:EN bit must be programmed to 0. Then, write 0x1984 to the RST register. Now, the CTL:EN bit may be programmed to 1 to re-enable the WDT. This procedure must be followed exactly for each reset and at power up.

13.2 Register Reference

This section describes the location of the WDT registers and how to program each register.

13.2.1 Memory Map

The watchdog timer base address is 0x8000.1400. The register address offsets shown in Table 13-1 are relative to this base address.

Table 13-1. Watchdog Timer Memory Map

ADDRESS OFFSET	NAME	DESCRIPTION
0x00	CTL	Watchdog Control Register
0x04	RST	Watchdog Counter Reset
0x08	STATUS	Watchdog Status Register
0x0C	COUNT0	Current Count bits [7:0]
0x10	COUNT1	Current Count bits [15:8]
0x14	COUNT2	Current Count bits [23:16]
0x18	COUNT3	Current Count bits [31:24]

13.2.2 Register Descriptions

13.2.2.1 Control Register (CTL)

The WDT control register, described in Table 13-2 and Table 13-3 enables and disables the WDT, and specifies the timeout period and interrupt response.

Table 13-2. CTL Register

BIT	31	30	29	28	27	26	25	24	23	22	21	20	19	18	17	16
FIELD	///															
RESET	0	0	0	0	0	0	0	0	0	0	0	0	0	0	0	0
TYPE	RO	RO	RO	RO	RO	RO	RO	RO	RO	RO	RO	RO	RO	RO	RO	RO
BIT	15	14	13	12	11	10	9	8	7	6	5	4	3	2	1	0
FIELD	///								TOC				FRZ	IF		EN
RESET	0	0	0	0	0	0	0	0	0	0	0	0	0	0	0	0
TYPE	RO	RO	RO	RO	RO	RO	RO	RO	RW	RW	RW	RW	RW	RW	RW	RW
ADDR	0x8000.1400															

Table 13-3. CTL Fields

BITS	NAME	DESCRIPTION
31:8	///	Reserved Reading returns 0. Values written to this field cannot be read back.
7:4	TOC	<p>Timeout Code Program this field to select one of 16 possible values to load into the WDT to determine the timeout, in PCLK cycles. The loaded value is $2^{(TOC+16)}$. For example:</p> <ul style="list-style-type: none"> • TOC = 0x0 results in a timeout period of 2^{16} PCLK cycles. • TOC = 0xF results in a timeout period of 2^{31} PCLK cycles. <p>When a timeout period is programmed, the new value takes effect after a counter reset command or after the count reaches 0.</p>
3	FRZ	<p>Freeze Set this bit while the watchdog is enabled, to prevent clearing EN. Only a reset can clear FRZ.</p> <p>1 = When WDT is enabled, the EN bit is frozen and cannot be cleared (set to 0). 0 = WDT function is not frozen. (FRZ <i>cannot</i> be cleared by writing a 0 to this bit; a 0 is only valid when this bit is read. FRZ is only cleared with a reset)</p>
2	///	Reserved Reading returns 0. Values written to this field cannot be read back.
1	IF	<p>Interrupt First Program this field to specify whether the first WDT timeout generates an interrupt or a reset:</p> <p>1 = The first timeout generates an interrupt and restarts the WDT. If this interrupt is not cleared by software or by a reset, the second timeout generates a reset. A reset clears this interrupt. 0 = Each timeout generates a reset.</p>
0	EN	<p>Enable Program this bit to enable or disable the WDT:</p> <p>1 = Enables the WDT. The counter decrements. Timeouts generate interrupts or resets, depending on the setting of the IF field. To prevent interrupts or resets, the WDT <i>must</i> be periodically reset. 0 = Disables the WDT. The counter does not decrement. Because no timeouts occur, the WDT generates no interrupts or resets.</p>

13.2.2.2 Counter Reset Register (RST)

Write this register to reset the WDT, preventing a timeout.

Table 13-4. RST Description

BIT	31	30	29	28	27	26	25	24	23	22	21	20	19	18	17	16
FIELD	///															
RESET	0	0	0	0	0	0	0	0	0	0	0	0	0	0	0	0
TYPE	RO	RO	RO	RO	RO	RO	RO	RO	RO	RO	RO	RO	RO	RO	RO	RO
BIT	15	14	13	12	11	10	9	8	7	6	5	4	3	2	1	0
FIELD	RST															
RESET	undefined															
TYPE	WO	WO	WO	WO	WO	WO	WO	WO	WO	WO	WO	WO	WO	WO	WO	WO
ADDR	0x8000.1404															

Table 13-5. RST Field

BIT	NAME	DESCRIPTION
31:16	///	Reserved Reading this field returns 0. Values written to this field cannot be read back.
15:0	RST	Reset Write 0x1984 to this register to reset the WDT. If the first timeout interrupt is asserted, this write deasserts the interrupt.

13.2.2.3 Status Register (STATUS)

This register, described in Table 13-6 and Table 13-7, provides the status of the WDT counter and response.

Table 13-6. STATUS Description

BIT	31	30	29	28	27	26	25	24	23	22	21	20	19	18	17	16		
FIELD	///																	
RESET	0	0	0	0	0	0	0	0	0	0	0	0	0	0	0	0		
TYPE	RO	RO	RO	RO	RO	RO	RO	RO	RO	RO	RO	RO	RO	RO	RO	RO		
BIT	15	14	13	12	11	10	9	8	7	6	5	4	3	2	1	0		
FIELD	///								INT	RST	IF		///					
RESET	0	0	0	0	0	0	0	0	0	1	0	0	0	0	0	0		
TYPE	RO	RO	RO	RO	RO	RO	RO	RO	RO	RO	RO	RO	RO	RO	RO	RO		
ADDR	0x8000.1408																	

Table 13-7. STATUS Fields

BIT	NAME	DESCRIPTION
31:8	///	Reserved Reading this field returns 0. Values written to this field cannot be read back.
7	INT	INT This bit reports the WDT timeout interrupt status: 1 = An interrupt has occurred. 0 = No interrupt has occurred
6	RST	Reset This bit reports the reset status: 1 = A reset has not occurred. 0 = A reset has occurred
5:4	IF	Interrupt First This field reports whether the WDT is programmed to assert an interrupt or a reset on the first timeout. This field duplicates the value of CTL:IF. 11 = The first timeout generates an interrupt and restarts the WDT. If this interrupt is not cleared by software or by a reset, the second timeout generates a reset. A reset clears this interrupt. 00 = Each timeout generates a reset. 01, 10 = Invalid
3:0	///	Reserved Reading this field returns 0. Values written to this field cannot be read back.

13.2.2.4 Current Watchdog Count Registers (COUNT[3:0])

The COUNTx registers, described in Table 13-8 and Table 13-9, are a set of registers operating as a cascaded counter, reporting the current WDT decrementing value:

- COUNT3 contains bits 31 through 24 of the current value
- COUNT2 contains bits 23 through 16 of the current value (note COUNT2 resets to 0x01)
- COUNT1 contains bits 15 through 8 of the current value
- COUNT0 contains bits 7 through 0 of the current value.

When all of COUNT[3:0] are 0, the WDT has timed out.

Table 13-8. COUNTx Description (Except COUNT2)

BIT	31	30	29	28	27	26	25	24	23	22	21	20	19	18	17	16
FIELD	///															
RESET	0	0	0	0	0	0	0	0	0	0	0	0	0	0	0	0
TYPE	RO	RO	RO	RO	RO	RO	RO	RO	RO	RO	RO	RO	RO	RO	RO	RO
BIT	15	14	13	12	11	10	9	8	7	6	5	4	3	2	1	0
FIELD	///								COUNT							
RESET	0	0	0	0	0	0	0	0	0	0	0	0	0	0	0	0
TYPE	RO	RO	RO	RO	RO	RO	RO	RO	RO	RO	RO	RO	RO	RO	RO	RO
ADDR	COUNT0 = 0x8000.140C COUNT1 = 0x8000.1410 COUNT3 = 0x8000.1418															

Table 13-9. COUNTx Fields (Except COUNT2)

BIT	NAME	DESCRIPTION
31:8	///	Reserved Reading this field returns 0. Values written cannot be read.
7:0	COUNT	Current Count

Table 13-10. COUNT2 Description

BIT	31	30	29	28	27	26	25	24	23	22	21	20	19	18	17	16
FIELD	///															
RESET	0	0	0	0	0	0	0	0	0	0	0	0	0	0	0	0
TYPE	RO	RO	RO	RO	RO	RO	RO	RO	RO	RO	RO	RO	RO	RO	RO	RO
BIT	15	14	13	12	11	10	9	8	7	6	5	4	3	2	1	0
FIELD	///								COUNT							
RESET	0	0	0	0	0	0	0	0	0	0	0	0	0	0	0	1
TYPE	RO	RO	RO	RO	RO	RO	RO	RO	RO	RO	RO	RO	RO	RO	RO	RO
ADDR	COUNT2 = 0x8000.1414															

Table 13-11. COUNT2 Fields

BIT	NAME	DESCRIPTION
31:8	///	Reserved Reading this field returns 0. Values written cannot be read.
7:0	COUNT	Current Count

Chapter 14

Real Time Clock (RTC)

14.1 Theory of Operation

The Real Time Clock (RTC) can be used as a basic alarm, a long time-base counter, a time base for a true real-time clock, or as a wake-up interrupt generator to transfer the LH7A404 from Standby or Halt mode to Run mode. The RTC can be programmed to issue an interrupt when the RTC count matches a programmed value.

The RTC is a free-running 32-bit counter, clocked at a 1 Hz rate. An internal oscillator, using an external 32.768 kHz crystal, generates the 1 Hz reference clock. Further details on the RTC clock generation appear in Chapter 6.

14.1.1 RTC Interrupt

The LH7A404 RTC is clocked by a 1 Hz clock signal (CLK1HZ) which remains active in the LH7A404 reduced-power modes. CLK1HZ is used to increment the RTC free-running counter and the RTC can be programmed to generate an interrupt when the value in the free-running counter matches a value stored in the RTCMR register. After reset, the RTC interrupt (RTCINTR) is disabled and the counter and match values are undefined. Another, internal clock (CLK1kHz), operates at 1 kHz and clocks the RTC interrupt out to the Interrupt Controller.

14.1.2 Configuring the RTC for Use

To configure the RTC:

1. Set the initial time value by writing the hex value to the RTC Load Register (RTCLR).
2. Set the interrupt trigger value by writing the hex value to the RTC Match Register (RTCMR).
3. Enable the interrupt, by setting the RTC Control Register Interrupt Enable bit (RTCCR:MIE).

The free-running counter is loaded with the RTCLR contents on the next CLK1HZ rising edge, then continues incrementing from that value at 1 second intervals. After each increment, the current counter value appears in, and may be read from, the RTC Data Register (RTCDR). After reaching 0xFFFFFFFF, the counter wraps to 0x0 and resumes incrementing.

Figure 14-1 shows the generation of the RTCINTR interrupt. When the counter increments on a CLK1HZ rising edge to equal the match value programmed in RTCMR, RTCINTR is asserted on the next CLK1kHz rising edge (not shown). The interrupt appears one 1 kHz cycle (1 ms) following the CLK1HZ edge that caused the counter match. The interrupt status is reported in the RTC Status register Interrupt bit (RTCSTAT:RTCINTR). When enabled, the interrupt is generated and sent to the LH7A404 interrupt controller. To clear the interrupt, write any value to the RTC End-of-Interrupt register (RTCEOI).

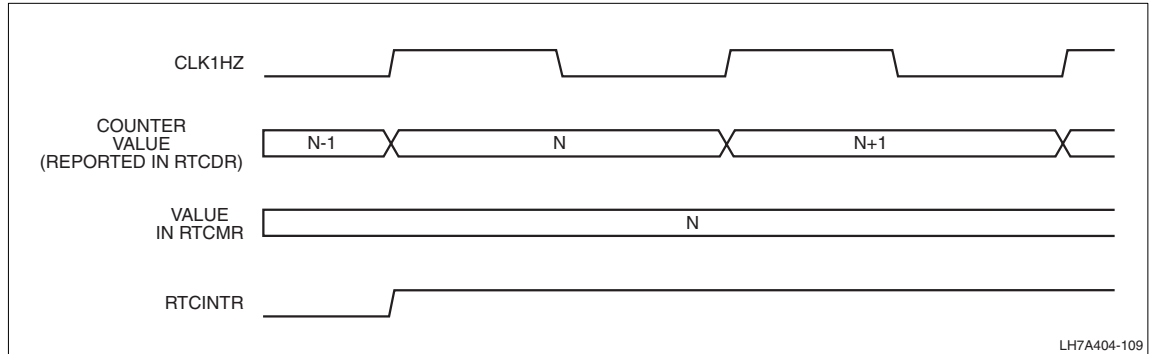


Figure 14-1. RTC Interrupt Timing

14.2 Register Reference

14.2.1 Memory Map

The RTC register offsets shown in Table 14-1 are relative to the RTC base address, 0x8000.0D00.

Table 14-1. RTC Register Summary

ADDRESS OFFSET	NAME	DESCRIPTION
0x00	RTCDR	Reports the current RTC value
0x04	RTCLR	Program with the initial RTC value
0x08	RTCMR	Program with the match value to generate RTCINTR
0x10	RTCSTAT	Reports RTCINTR status
	RTCEOI	Clears the RTCINTR
0x14	RTCCR	Enable or disable RTCINTR
0x18 - 0xFF	///	Reserved Reading these locations can return unpredictable values. Do not write to these locations.

14.2.2 Register Descriptions

The following tables define the contents and use of the register bit fields.

14.2.2.1 RTC Data Register (RTCDR)

The RTCDR register, described in Table 14-2 and Table 14-3, contains the present value of the 32-bit free-running RTC counter. Reading this register allows software to get a snapshot of the RTC counter value; the counter continues to increment. Values in this register are only valid after the RTC initial count value is set by writing to the RTCLR register the first time.

Table 14-2. RTCDR Register

BIT	31	30	29	28	27	26	25	24	23	22	21	20	19	18	17	16
FIELD	RTCDR															
RESET	Undefined															
TYPE	RO															
BIT	15	14	13	12	11	10	9	8	7	6	5	4	3	2	1	0
FIELD	RTCDR															
RESET	Undefined															
TYPE	RO															
ADDR	0x8000.0D00															

Table 14-3. RTCDR Field

BITS	NAME	DESCRIPTION
31:0	RTCDR	RTC Data Register Value Current RTC counter value (hex)

14.2.2.2 RTC Load Register (RTCLR)

The RTCLR register, described in Table 14-4 and Table 14-5, allows software to initialize the free-running RTC counter.

Writing a hex value to this 32-bit register loads the free-running RTC counter with an initial value within 1 RTC clock cycle. The counter is updated with the value written to this register on the next rising edge of the 1 Hz RTC clock signal.

This register is not the free-running RTC counter; this register is a buffer from which the RTC counter is loaded. Reading this register returns the last value written to this register, not the current value of the counter. The current value of the RTC counter can be read from the RTCDR.

Table 14-4. RTCLR Register

BIT	31	30	29	28	27	26	25	24	23	22	21	20	19	18	17	16
FIELD	RTCLR															
RESET	Undefined															
TYPE	RW															
BIT	15	14	13	12	11	10	9	8	7	6	5	4	3	2	1	0
FIELD	RTCLR															
RESET	Undefined															
TYPE	RW															
ADDR	0x8000.0D04															

Table 14-5. RTCLR Field

BITS	NAME	DESCRIPTION
31:0	RTCLR	RTC Load Register Value Write and read the initial counter value.

14.2.2.3 RTC Match Register (RTCMR)

RTCMR contains the count at which an RTC interrupt is generated (if enabled). To find the current counter value, read the RTC data register.

Writing the RTC match register, as defined in Table 14-6 and Table 14-7, loads a hex value into this register for comparing to the Counter value. Reading this register returns the most recently written value. Valid timings using RTCMR only occur after the RTC has been loaded with the first write to the RTCLR register.

Table 14-6. RTCMR Register

BIT	31	30	29	28	27	26	25	24	23	22	21	20	19	18	17	16
FIELD	RTCMR															
RESET	Undefined															
TYPE	RW															
BIT	15	14	13	12	11	10	9	8	7	6	5	4	3	2	1	0
FIELD	RTCMR															
RESET	Undefined															
TYPE	RW															
ADDR	0x8000.0D08															

Table 14-7. RTCMR Field

BITS	NAME	DESCRIPTION
31:0	RTCMR	RTC Match Register Value Write and read the match value.

14.2.2.4 RTC Interrupt Status and Interrupt Clear Register (RTCSTAT and RTCEOI)

The RTCSTAT/RTCEOI register has two uses. Reading this register returns the present status of the RTC interrupt bit; writing to this register clears an asserted RTC interrupt. Although this register has two names, depending on whether it is being read or written to, it is actually one register at address offset 0x10.

- Read the RTC Status register RTC Interrupt bit (RTCSTAT:RTCINTR), described in Table 14-8 and Table 14-9, to discover the RTC Match Interrupt (RTCINTR) status.
- Write any 32-bit value to the RTC End-of-Interrupt register (RTCEOI), described in Table 14-10 and Table 14-11, to clear the asserted RTCINTR at the interrupt controller and also clear the RTCSTAT:RTCINTR bit.

Table 14-8. RTCSTAT Register

BIT	31	30	29	28	27	26	25	24	23	22	21	20	19	18	17	16
FIELD	///															
RESET	Undefined															
TYPE	RO															
BIT	15	14	13	12	11	10	9	8	7	6	5	4	3	2	1	0
FIELD	///															RTCINTR
RESET	Undefined															0
TYPE	RO															RO
ADDR	0x8000.0D10															

Table 14-9. RTCSTAT Fields

BITS	NAME	DESCRIPTION
31:1	///	Reserved Reading returns all zeroes. Values written cannot be read.
0	RTCINTR	RTC Interrupt Reading this bit returns the RTCINTR status: 1 = RTCINTR is asserted. 0 = RTCINTR is not asserted. Values written to this field clear the assertion of the interrupt, but cannot be read back.

Table 14-10. RTCEOI Register

BIT	31	30	29	28	27	26	25	24	23	22	21	20	19	18	17	16
FIELD	RTCEOI															
RESET	Undefined															
TYPE	WO															
BIT	15	14	13	12	11	10	9	8	7	6	5	4	3	2	1	0
FIELD	RTCEOI															
RESET	Undefined															
TYPE	WO															
ADDR	0x8000.0D10															

Table 14-11. RTCEOI Fields

BITS	NAME	DESCRIPTION
31:0	RTCEOI	RTC End of Interrupt Writing any 32-bit value to this field clears RTCINTR and RTCSTAT:RTCINTR. Reading RTCEOI returns an undefined value. Values written to this field cannot be read back.

14.2.2.5 RTC Control Register (RTCCR)

The RTCCR, defined in Table 14-12 and Table 14-13, enables or disables generating the RTC interrupt. If not enabled, no interrupt is generated when the Counter equals the value set in the RTCMR.

Table 14-12. RTCCR Register

BIT	31	30	29	28	27	26	25	24	23	22	21	20	19	18	17	16
FIELD	///															
RESET	0	0	0	0	0	0	0	0	0	0	0	0	0	0	0	0
TYPE	RO	RO	RO	RO	RO	RO	RO	RO	RO	RO	RO	RO	RO	RO	RO	RO
BIT	15	14	13	12	11	10	9	8	7	6	5	4	3	2	1	0
FIELD	///															
RESET	0	0	0	0	0	0	0	0	0	0	0	0	0	0	0	0
TYPE	RO	RO	RO	RO	RO	RO	RO	RO	RO	RO	RO	RO	RO	RO	RO	RW
ADDR	0x8000.0D14															

Table 14-13. RTCCR Fields

BITS	NAME	DESCRIPTION
31:1	///	Reserved Reading this field returns all zeroes. Values written must be zeroes.
0	MIE	Match Interrupt Enable Program this bit to enable and disable RTCINTR: 1 = Enable RTCINTR 0 = Disable RTCINTR

Chapter 15

Synchronous Serial Port (SSP)

15.1 Theory of Operation

The SSP provides the interface between parallel data inside the MCU and Synchronous Serial data on a Slave peripheral device using Motorola SPI, National Semiconductor MICROWIRE, or Texas Instruments Synchronous Serial interfaces. Serial data is transmitted on the SSP Transmit Data signal (SSPTX, pin L3) and received on the SSP Receive Data signal (SSPRX, pin L1).

None of the SSP registers can be programmed until the SSP is enabled by setting the Control Register 0 SSP Enable bit (CR0:SSE) to 1.

15.1.1 Clocking

To generate the bit rate and Serial Clock output (SSPCLK), in the range $113.386 \text{ Hz} < \text{SSPCLK} < 3.6864 \text{ MHz}$, the SSP uses:

- A programmable prescaler in the Clock Prescaler register Divisor field (CPR:DVSR)
- A programmable clock rate divisor in the CR0 Serial Clock Rate (SCR) field (CR0:SCR)
- The source clock from the LH7A404 system clocks ($14.7456 \text{ MHz} \div 2 = 7.3728 \text{ MHz}$)

SSPCLK is calculated as follows:

$$\text{SSPCLK} = (7.3728 \text{ MHz} \div (\text{CPR:DVSR})) \div (1 + \text{CR0:SCR})$$

15.1.2 FIFOs

The SSP provides Transmit and Receive FIFOs accessed via the Data Register (DR):

- The FIFOs can be configured to hold up to eight data entries or a single entry. Each entry can be up to 16 bits. Disabling FIFO operation by clearing (0) the Control Register 1 FIFO Enable field (CR1:FEN) configures both FIFOs as single-entry holding registers. Disable FIFO operation for single-word transfers.
- Reading the DR accesses the Receive FIFO or holding register. Writing the DR accesses the Transmit FIFO or holding register.
- Received data is automatically justified into the least significant bits of the DR. For transmission data shorter than 16 bits, software must justify the data into the least significant bits of the DR. To specify the Receive and Transmit data size, program the CR0 Data Size Specification (DSS) field (CR0:DSS). For National Semiconductor MICROWIRE format, Transmit data size is always eight bits and DSS specifies only the Receive data size.
- To flush the Receive FIFO, read the DR until the Receive FIFO is empty. The SSP reports the Receive FIFO empty by clearing (0) the Status Register Receive FIFO Not Empty field (SR:RNE). To flush the Transmit FIFO, disable and re-enable FIFO operation by clearing (0) and then setting (1) CR1:FEN.

Software writing to the DR is timed by PCLK. Transmission from the Transmit FIFO is timed by SSPCLK. Because SSPCLK is slower than PCLK, depending on the timing, software can write either eight or nine entries to the DR before the Transmit FIFO is reported to be full. The SSP reports the Transmit FIFO full by clearing (0) the SR Transmit FIFO Not Full field (SR:TNF).

15.1.3 Interrupts

The SSP generates individual interrupts, described in Table 15-1, to report transmission and reception status. These interrupts are asserted in the Interrupt Identification Register (IIR). Software can configure these interrupts as enabled or disabled by programming CR1. The individual interrupts in the IIR are logically ORed together to generate a single, combined interrupt, SSPINTR, to be handled by the LH7A404 Interrupt Controller.

Table 15-1. SSP Interrupts

NAME	DESCRIPTION
TXII	<p>Transmit Idle Interrupt This interrupt indicates the SSP has become idle and either:</p> <ul style="list-style-type: none"> FIFO operation is enabled and the Transmit FIFO is empty (transmission complete). FIFO operation is disabled and the Transmit holding register contains no data. <p>Related flags are as follows:</p> <ul style="list-style-type: none"> The Status Register Busy field (SR:BSY) is cleared (0), indicating the SSP is idle. The SR Transmit FIFO Empty field (SR:TFE) is set to 1. <p>TXII is automatically deasserted and SR:TFE cleared when software writes the DR. SR:BSY is set when transmission resumes.</p>
RXOI	<p>Receive Overrun Interrupt This interrupt is generated when a data frame has been received and the SSP attempts to transfer from the receive shift register into the receive FIFO or receive holding register and either:</p> <ul style="list-style-type: none"> FIFO operation is enabled and the Receive FIFO is full. FIFO operation is disabled and the Receive holding register contains data. <p>Related flags are as follows:</p> <ul style="list-style-type: none"> The SR Receive Overrun field (SR:ROR) is set. The SR Receive FIFO Full field (SR:RFF) is set. <p>When a Receive Overrun occurs, the data already in the FIFO is preserved. Data in the shift register is overwritten until software reads the DR. Some data can be lost. When the FIFO or holding register can accept data, the SSP resumes moving data from the shift register with the next full frame of data. This interrupt is deasserted and SR:ROR cleared when software writes the Receive Overrun End-of-Interrupt register (RXOEOI). The interrupt can also be cleared by writing a 0 to the CR1:RXOIE bit. SR:RFF is cleared when software reads the DR.</p>
TXSI	<p>Transmit Service Request Interrupt This interrupt is generated when:</p> <ul style="list-style-type: none"> The SSP has been disabled by software clearing CR0:SSE. The Transmit FIFO contains four or fewer entries. With FIFO operation disabled, this interrupt is asserted each time the SSP finishes moving a data entry from the holding register to the transmitter. A related flag, the SR Transmit Half Empty field (SR:THE), is set. This interrupt is deasserted and SR:THE cleared automatically when software writes DR enough times to put more than four entries in the FIFO, or when software writes DR once with FIFO operation disabled.
RXSI	<p>Receive Service Request Interrupt This interrupt is generated when the Receive FIFO contains four or more entries. With FIFO operation disabled, this interrupt is asserted each time the SSP finishes moving a data entry from the receiver to the holding register. A related flag, the SR Receive Half Full field (SR:RHF), is set. This interrupt is deasserted and SR:RHF cleared automatically when software reads DR enough times to leave no more than three entries in the FIFO, or when software reads DR once with FIFO operation disabled.</p>

15.1.4 SSP Data Formats

The SSP supports three data frame formats:

- Texas Instruments Synchronous Serial
- Motorola SPI
- National Semiconductor MICROWIRE

Specify the frame format to use by programming the CR0 Frame Format field (CR0:FRF). Each frame format is between four and 16 bits in length, depending on the programmed data size. Data frames are transmitted beginning with the most significant bit. For all three formats, the SSPCLK is deasserted LOW while the SSP is idle if SPO is 0. If SPO is 1, the SSPCLK idles HIGH. The SSPCLK transitions only during active data transmission. The SSPFRM/nSSFPRM signal (pin K4) marks the beginning and end of a frame.

The SSP supports both Single Transfer and Continuous Transfer operation:

- In Single Transfer operation, only one item is written to the Transmit FIFO at a time. No other data items are written to the Transmit FIFO until transmission is complete.
- In Continuous Transfer operation, multiple data items are written to the Transmit FIFO; a continuous transmission ends when the Transmit FIFO is empty.

15.1.4.1 Texas Instruments Synchronous Serial Format

For the Texas Instruments Synchronous Serial format, SSPFRM is active HIGH and is pulsed for one serial clock period beginning at the rising edge, prior to each frame transmission. For this frame format, both the SSP and the external Slave device output data on the rising edge of the clock and latch data from the other device on the falling edge. See Figure 15-1 and Figure 15-2.

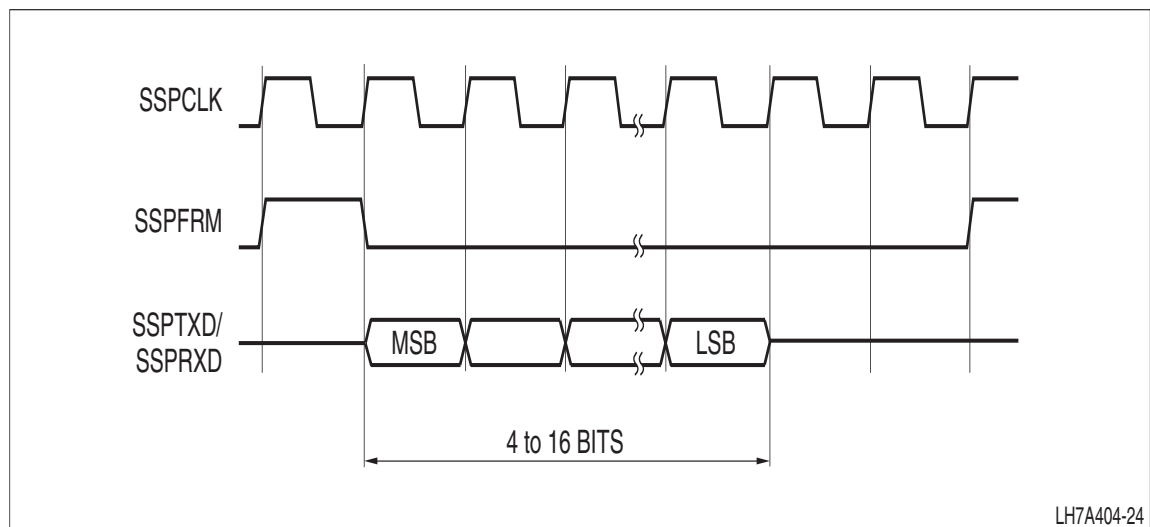


Figure 15-1. Texas Instruments Synchronous Serial Frame Format (Single Transfer)

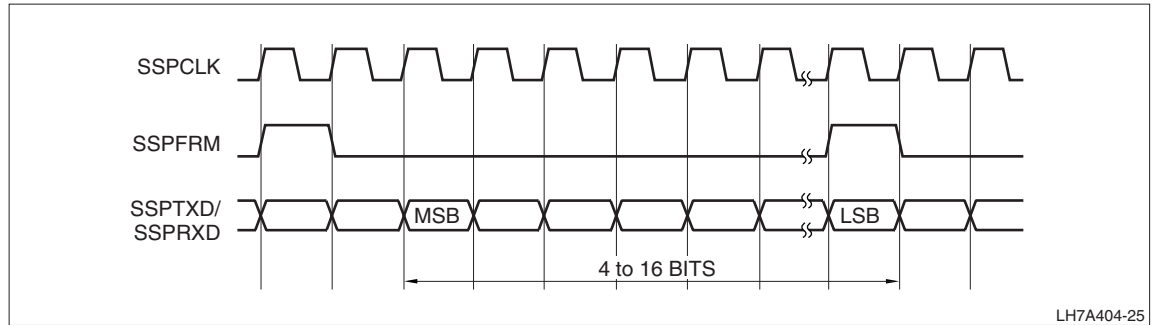


Figure 15-2. Texas Instruments Synchronous Serial Frame Format (Continuous Transfer)

15.1.4.2 Motorola SPI Format

For Motorola SPI format, nSSPFRM is active LOW. The CR1 SPI Phase and SPI Polarity fields (CR1:SPH and CR1:SPO, respectively) control SSPCLK and nSSPFRM operation in Single and Continuous modes. See Figure 15-3 through Figure 15-10.

When the SSP is in Motorola SPI frame format and the SPO line is toggled between packets, SSPCLK should change polarity. A single SSP device does not require toggling between packets. In a multiple SSP device configuration, external hardware may be required to control the device access during clock polarity change.

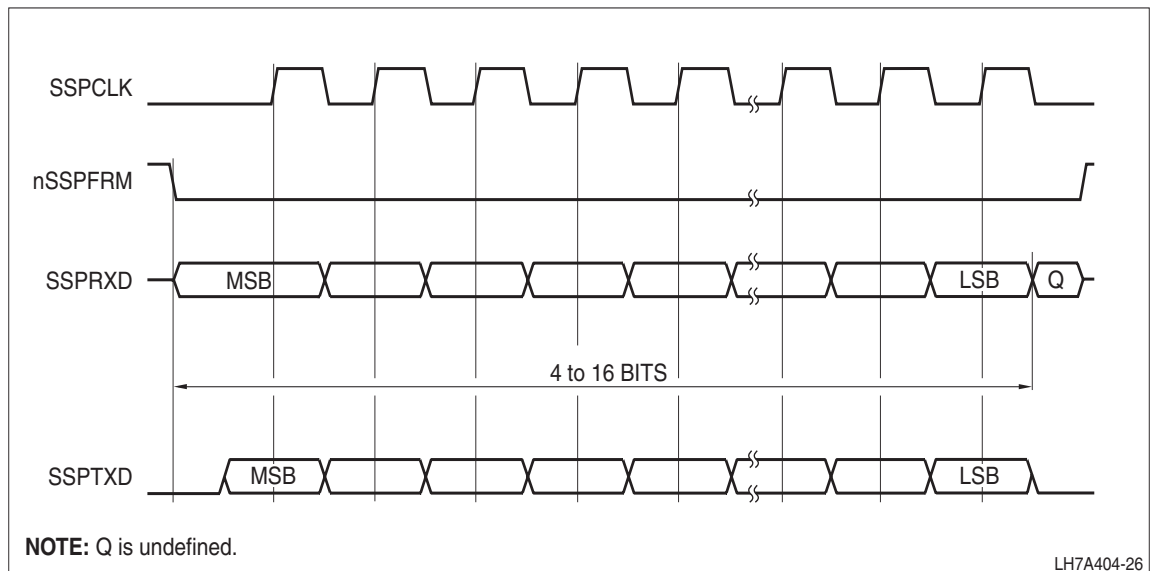


Figure 15-3. Motorola SPI Frame Format (Single Transfer) with SPO = 0 and SPH = 0

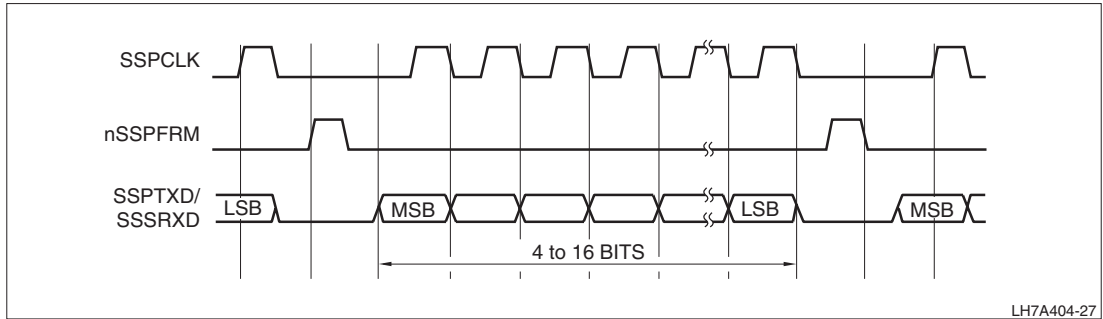


Figure 15-4. Motorola SPI Frame Format (Continuous Transfer) with SPO = 0 and SPH = 0

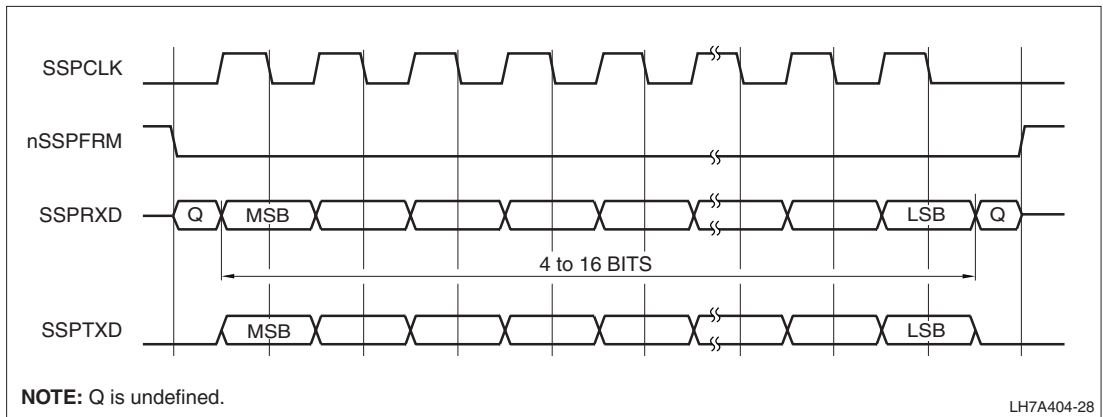


Figure 15-5. Motorola SPI Frame Format (Single Transfer) with SPO = 0 and SPH = 1

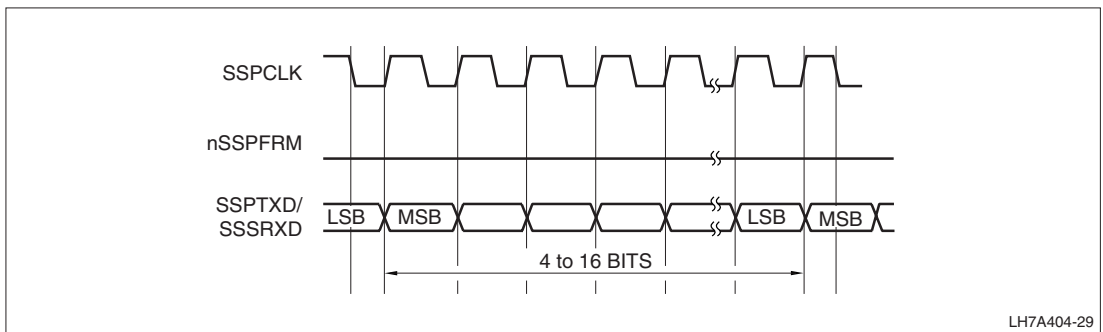


Figure 15-6. Motorola SPI Frame Format (Continuous Transfer) with SPO = 0 and SPH = 1

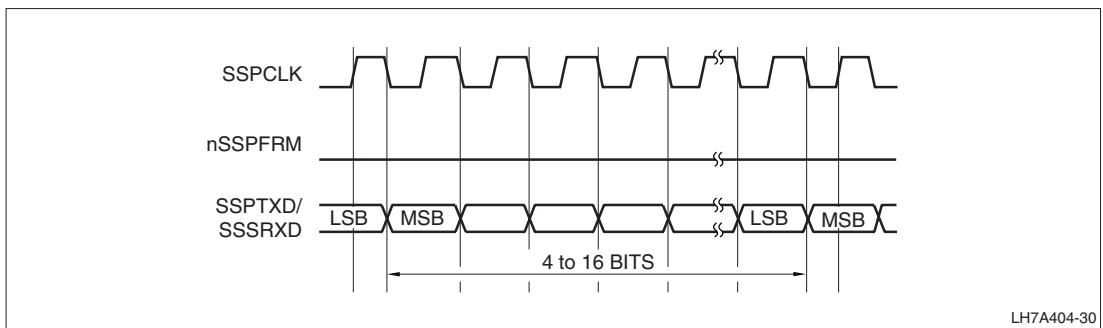


Figure 15-7. Motorola SPI Frame Format (Continuous Transfer) with SPO = 1 and SPH = 1

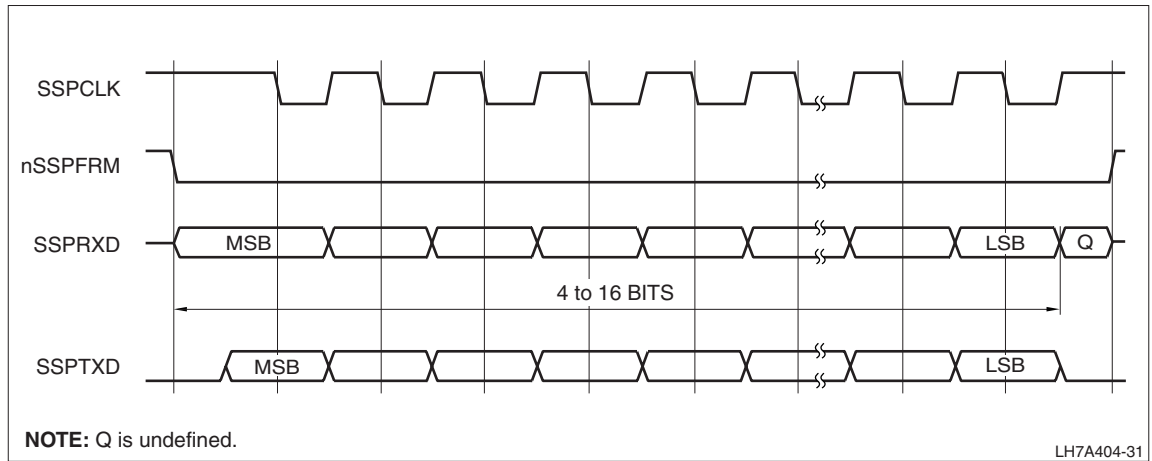


Figure 15-8. Motorola SPI Frame Format (Single Transfer) with SPO = 1 and SPH = 0

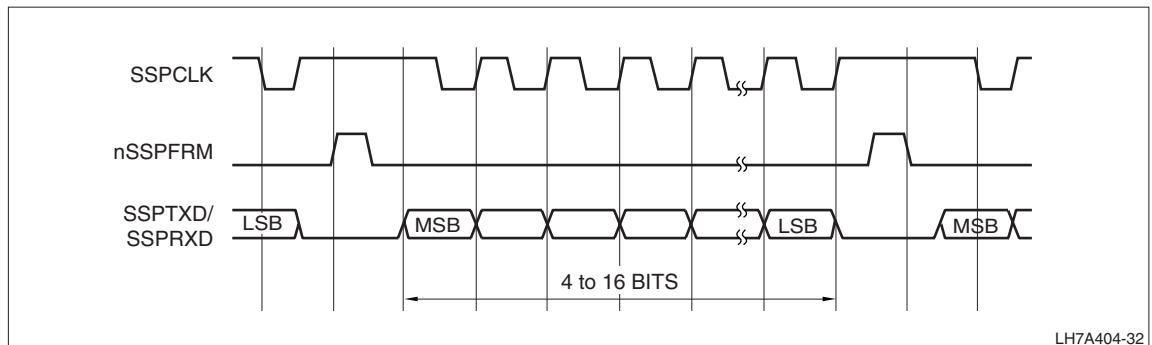


Figure 15-9. Motorola SPI Frame Format (Continuous Transfer) with SPO = 1 and SPH = 0

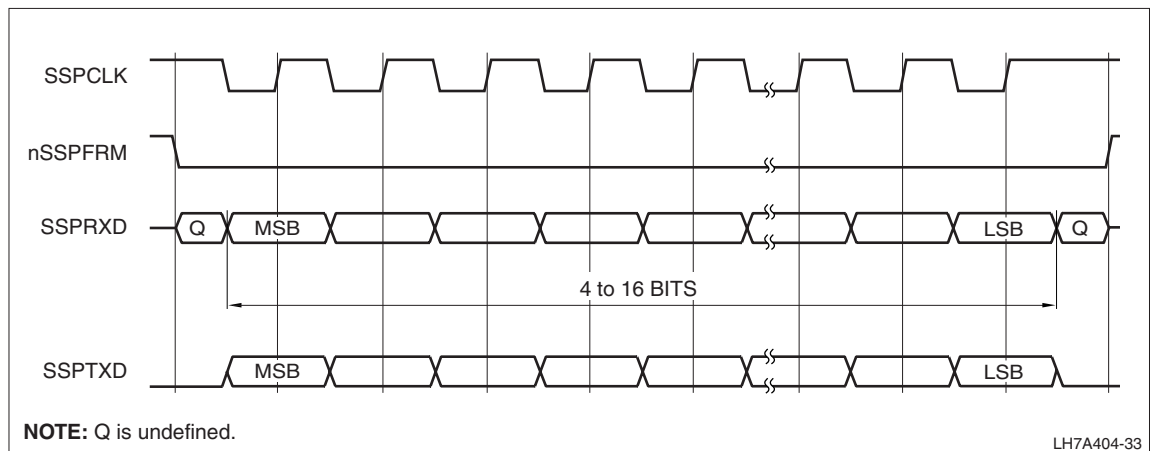


Figure 15-10. Motorola SPI Frame Format (Single Transfer) with SPO = 1 And SPH = 1

15.1.4.3 National Semiconductor MICROWIRE Format

For National Semiconductor MICROWIRE format, nSSPFRM is active LOW. Both the SSP and the external Slave device drive their output data on the falling edge of the clock, and latch data from the other device on the rising edge of the clock.

Unlike the full-duplex transmission of the other two frame formats, the National Semiconductor MICROWIRE format uses a half-duplex Master-Slave messaging technique. At the beginning of a frame an eight-bit control message is transmitted to the off-chip Slave. For MICROWIRE mode only, this transmitted message is always eight bits regardless of the programmed data size in CR0:DSS and regardless of the size of data software writes to DR.

During this transmission, no incoming data is received by the SSP. After the message has been sent, the external Slave device decodes the message and after waiting one serial clock period after the last bit of the eight-bit control message was received, responds by returning the requested data. The returned data can be four to 16 bits in length. The total frame length can be 13 to 25 bits in length. See Figure 15-11 and Figure 15-12.

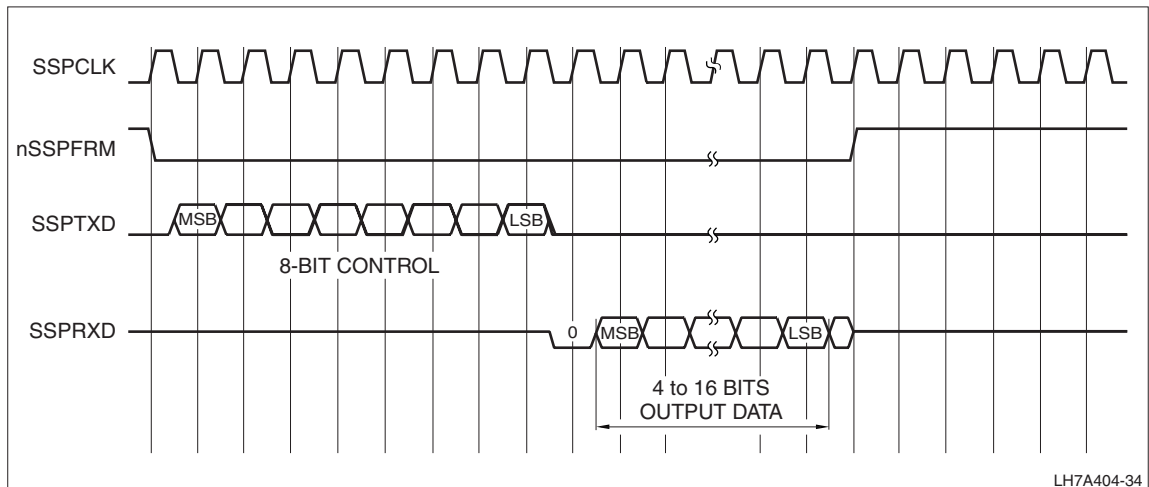


Figure 15-11. National Semiconductor MICROWIRE Format (Single Transfer)

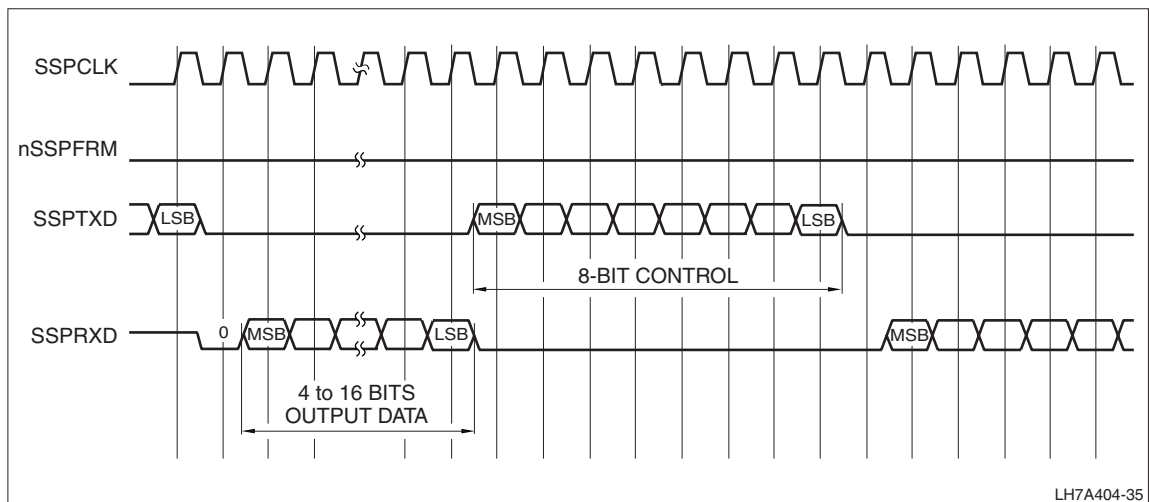


Figure 15-12. National Semiconductor MICROWIRE Format (Continuous Transfer)

15.2 Register Reference

This section describes the registers used in SSP operation.

15.2.1 Memory Map

The SSP registers reside in memory at offsets from the base address, 0x8000.0B00, as shown in Table 15-2.

Table 15-2. SSP Register Memory Map

ADDRESS OFFSET	NAME	DESCRIPTION
0x00	CR0	Control Register 0
0x04	CR1	Control Register 1
0x08	IIR	Interrupt Identification Register
	ROEOI	Receive Overrun End-of-Interrupt
0x0C	DR	Data Register
0x10	CPR	Clock Prescale Register
0x14	SR	Status Register
0x18 - 0xFF	///	Reserved Accessing these locations can cause unpredictable results.

15.2.2 Register Descriptions

15.2.2.1 Control 0 Register (CR0)

This register, defined in Table 15-3 and Table 15-4, enables or disables the SSP and controls the serial clock rate, data size, and frame format.

Table 15-3. CR0 Register

BIT	31	30	29	28	27	26	25	24	23	22	21	20	19	18	17	16
FIELD	///															
RESET	0	0	0	0	0	0	0	0	0	0	0	0	0	0	0	0
RW	RO	RO	RO	RO	RO	RO	RO	RO	RO	RO	RO	RO	RO	RO	RO	RO
BIT	15	14	13	12	11	10	9	8	7	6	5	4	3	2	1	0
FIELD	SCR								SSE	///	FRF		DSS			
RESET	0	0	0	0	0	0	0	0	0	0	0	0	0	0	0	0
RW	RW	RW	RW	RW	RW	RW	RW	RW	RW	RO	RW	RW	RW	RW	RW	RW
ADDR	0x8000.0B00															

Table 15-4. CR0 Fields

BITS	NAME	DESCRIPTION
31:16	///	Reserved Reading returns 0. Values written cannot be read.
15:8	SCR	<p>Serial Clock Rate To generate the bit rate and Serial Clock output (SSPCLK), the SSP uses two divisors on the generated 7.3728 MHz clock:</p> <ul style="list-style-type: none"> A programmable prescaler in the Clock Prescaler register Divisor field in the CPR register (CPR:DVSR) A programmable clock rate divisor in this field (SCR) <p>SSPCLK is calculated as follows: $SSPCLK = (7.3728 \text{ MHz} \div DVSR) \div (1 + SCR)$ Program this field to the desired eight-bit SCR value in the above equation. The resulting value of SSPCLK must fall in the range of $113.386 \text{ Hz} < SSPCLK < 3.6864 \text{ MHz}$.</p>
7	SSE	<p>SSP Enable Program this bit as follows to enable or disable the SSP:</p> <p>1 = SSP operation enabled. 0 = SSP operation disabled.</p> <p>IMPORTANT: Enable the SSP before programming any other registers.</p>
6	///	Reserved Reading returns 0. When writing this register, ensure this bit is 0.
5:4	FRF	<p>Frame Format Program this field to specify the frame format:</p> <p>11 = Undefined. Do not use this value. 10 = National MICROWIRE frame format. 01 = TI synchronous serial frame format. 00 = Motorola SPI frame format.</p>

Table 15-4. CR0 Fields

BITS	NAME	DESCRIPTION
3:0	DSS	<p>Data Size Selection Program this field to specify the data size:</p> <p>1111 = 16 bits 1110 = 15 bits 1101 = 14 bits 1100 = 13 bits 1011 = 12 bits 1010 = 11 bits 1001 = 10 bits 1000 = 9 bits 0111 = 8 bits 0110 = 7 bits 0101 = 6 bits 0100 = 5 bits 0011 = 4 bits 0010 = Undefined. Do not use this value. 0001 = Undefined. Do not use this value. 0000 = Undefined. Do not use this value.</p> <p>Note that because this field is 0000 after reset, software must initially specify a data size. When FRF = 10, specifying the MICROWIRE format, the Transmit data width is fixed at eight bits and DSS specifies only the Receive data width.</p>

15.2.2.2 Control 1 Register (CR1)

This register, defined in Table 15-5 and Table 15-6, controls the FIFOs, interrupts, and frame specific settings, and enables or disables Loopback mode.

Table 15-5. CR1 Register

BIT	31	30	29	28	27	26	25	24	23	22	21	20	19	18	17	16	
FIELD	///																
RESET	0	0	0	0	0	0	0	0	0	0	0	0	0	0	0	0	
RW	RO	RO	RO	RO	RO	RO	RO	RO	RO	RO	RO	RO	RO	RO	RO	RO	
BIT	15	14	13	12	11	10	9	8	7	6	5	4	3	2	1	0	
FIELD	///									TXIEN	FEN	RXOIEN	SPH	SPO	LBM	TXSIEN	RXSIEN
RESET	0	0	0	0	0	0	0	0	0	0	0	0	0	0	0	0	
RW	RO	RO	RO	RO	RO	RO	RO	RO	RW	RW	RW	RW	RW	RW	RW	RW	
ADDR	0x8000.0B04																

Table 15-6. CR1 Fields

BITS	NAME	DESCRIPTION
31:8	///	Reserved Reading this field returns 0. When writing this register, ensure this field is 0.
7	TXIEN	Transmitter Idle Interrupt Enable Program this bit to enable or disable the Transmitter Idle Interrupt (IIR:TXII): 1 = Enables the interrupt. 0 = Disables the interrupt.
6	FEN	FIFO Enable Program this bit to configure FIFO or holding register operation: 1 = Enables FIFO operation. Writing the DR writes an entry to an eight entry Transmit FIFO. Reading the DR reads an entry from an eight-entry Receive FIFO. Frame data is received and transmitted via these FIFOs. 0 = Disables FIFO operation. Writing the DR writes a single entry holding register. The Transmit Service Request Interrupt (IIR:TXRI) and Transmit FIFO Empty flag (SR:TFE) are set for each frame transmitted. The Receive Service Request Interrupt (IIR:RXRI) and Receive FIFO Full flag (SR:RFF) are set for each frame received.
5	RXOIEN	Receive Overrun Interrupt Enable Program this bit to enable or disable the Receive Overrun Interrupt (IIR:RXOIE) as follows: 1 = Enables the interrupt. 0 = Disables the interrupt. If the interrupt is asserted, writing a 0 clears the interrupt.
4	SPH	SPI Phase Program this bit to specify the Motorola SPI frame format phase: 1 = nSSPFRM remains active until the FIFO is empty. 0 = nSSPFRM toggles HIGH for one SSPCLK period between each word. See also Figure 15-3 through Figure 15-10 and Table 15-7.
3	SPO	SPI Polarity Program this bit to specify the Motorola SPI frame format SSPCLK polarity, as shown in Figure 15-3 through Figure 15-10 and Table 15-7.

Table 15-6. CR1 Fields (Cont'd)

BITS	NAME	DESCRIPTION
2	LBM	Loopback Mode Program this bit to enable or disable Loopback mode: 1 = Enables Loopback mode, internally connecting the Transmit serial shifter output to the Receive serial shifter input 0 = Enables normal serial port operation, disabling Loopback mode
1	TXSIEN	Transmit FIFO Service Interrupt Enable Program this bit to enable or disable the Transmit FIFO Service Interrupt (TXSI): 1 = Enables the interrupt. 0 = Disables the interrupt.
0	RXSIEN	Receive FIFO Service Interrupt Enable Program this bit to enable or disable the Receive FIFO Service Interrupt (RXSI): 1 = Enables the interrupt. 0 = Disables the interrupt.

Table 15-7. SPO and SPH Definition

SPO	SPH	VALID DATA
1	1	Data is valid on SPCLK rising edge. See Figure 15-7 and Figure 15-10.
1	0	Data is valid on the first SPCLK falling edge after assertion of nSSPFRM. See Figure 15-8 and Figure 15-9.
0	1	Data is valid on SPCLK falling edge. See Figure 15-5 and Figure 15-6.
0	0	Data is valid on the first SPCLK rising edge after assertion of nSSPFRM. See Figure 15-3 and Figure 15-4.

15.2.2.3 Interrupt Identification Register (IIR)

This register, defined in Table 15-8 and Table 15-9, reports interrupt sources. At the same address is the RXEOI register (see Section 15.2.2.4).

Table 15-8. IIR Register

BIT	31	30	29	28	27	26	25	24	23	22	21	20	19	18	17	16
FIELD	///															
RESET	0	0	0	0	0	0	0	0	0	0	0	0	0	0	0	0
RW	RO	RO	RO	RO	RO	RO	RO	RO	RO	RO	RO	RO	RO	RO	RO	RO
BIT	15	14	13	12	11	10	9	8	7	6	5	4	3	2	1	0
FIELD	///									TXII	RXOI	///			TXSI	RXSI
RESET	0	0	0	0	0	0	0	0	0	0	0	0	0	0	1	0
RW	RO	RO	RO	RO	RO	RO	RO	RO	RO	RO	RO	RO	RO	RO	RO	RO
ADDR	0x8000.0B08															

Table 15-9. IIR Fields

BITS	NAME	DESCRIPTION
31:8	///	Reserved Reading returns 0. Values written cannot be read.
7	TXII	Transmit Idle Interrupt 1 = Asserted 0 = Deasserted
6	RXOI	Receive FIFO Overrun Interrupt 1 = Asserted 0 = Deasserted
5:2	///	Reserved Reading this field returns 0.
1	TXSI	Transmit FIFO Service Request Interrupt 1 = Asserted 0 = Deasserted
0	RXSI	Receive FIFO Service Request Interrupt 1 = Asserted 0 = Deasserted

15.2.2.4 Receive Overrun End-of-Interrupt Register (RXEOI)

Writing any value to this register, described in Table 15-10 and Table 15-11, clears the Receive Overrun Interrupt (IIR:RXOI). Values written to this register cannot be read back.

Table 15-10. RXEOI Register

BIT	31	30	29	28	27	26	25	24	23	22	21	20	19	18	17	16
FIELD	RXEOI															
RESET	0	0	0	0	0	0	0	0	0	0	0	0	0	0	0	0
RW	WO	WO	WO	WO	WO	WO	WO	WO	WO	WO	WO	WO	WO	WO	WO	WO
BIT	15	14	13	12	11	10	9	8	7	6	5	4	3	2	1	0
FIELD	RXEOI															
RESET	0	0	0	0	0	0	0	0	0	0	0	0	0	0	1	0
RW	WO	WO	WO	WO	WO	WO	WO	WO	WO	WO	WO	WO	WO	WO	WO	WO
ADDR	0x8000.0B08															

Table 15-11. RXEOI Fields

BITS	NAME	DESCRIPTION
31:0	RXEOI	End-of-Interrupt Write any value to this field to clear IIR:RXOI. Reading this field returns 0.

15.2.2.5 Data Register (DR)

This register, described in Table 15-12 and Table 15-13, is used for reading received data and writing data for transmission.

Table 15-12. DR Register

BIT	31	30	29	28	27	26	25	24	23	22	21	20	19	18	17	16
FIELD	///															
RESET	0	0	0	0	0	0	0	0	0	0	0	0	0	0	0	0
RW	RO	RO	RO	RO	RO	RO	RO	RO	RO	RO	RO	RO	RO	RO	RO	RO
BIT	15	14	13	12	11	10	9	8	7	6	5	4	3	2	1	0
FIELD	DATA															
RESET	0	0	0	0	0	0	0	0	0	0	0	0	0	0	0	0
RW	RW	RW	RW	RW	RW	RW	RW	RW	RW	RW	RW	RW	RW	RW	RW	RW
ADDR	0x8000.0B0C															

Table 15-13. DR Fields

BITS	NAME	DESCRIPTION
31:16	///	Reserved Reading returns 0. Values written cannot be read.
15:0	DATA	<p>Data</p> <ul style="list-style-type: none"> Writing this field puts data for transmission into the Transmit FIFO or holding register. For data shorter than 16 bits, software must justify the data into the least significant bits of the field. Reading this field reads received data from the Receive FIFO or holding register. Data shorter than 16 bits is automatically justified into the least significant bits of the field.

NOTE: When operating in TI mode with SSP word size less than 16 bits, all unused bits through bit 15 must be masked by software as they will contain undefined values.

15.2.2.6 Clock Prescale Register (CPR)

This register, defined in Table 15-14 and Table 15-15, specifies the SSPCLK divisor.

The divisor must be an even number between 2 and 254. The least significant bit of this number is automatically 0. When an odd number is written to this register, the least significant bit of the data read back is 0.

Table 15-14. CPR Register

BIT	31	30	29	28	27	26	25	24	23	22	21	20	19	18	17	16
FIELD	///															
RESET	0	0	0	0	0	0	0	0	0	0	0	0	0	0	0	0
RW	RO	RO	RO	RO	RO	RO	RO	RO	RO	RO	RO	RO	RO	RO	RO	RO
BIT	15	14	13	12	11	10	9	8	7	6	5	4	3	2	1	0
FIELD	///								DVSR							
RESET	0	0	0	0	0	0	0	0	0	0	0	0	0	1	0	0
RW	RO	RO	RO	RO	RO	RO	RO	RO	RW	RW	RW	RW	RW	RW	RW	RO
ADDR	0x8000.0B10															

Table 15-15. CPR Fields

BITS	NAME	DESCRIPTION
31:8	///	Reserved Reading returns 0. Values written cannot be read.
7:0	DVSR	<p>Clock Prescale Divisor To generate the bit rate and Serial Clock output (SSPCLK), the SSP uses two divisors on the generated 7.3728 MHz clock:</p> <ul style="list-style-type: none"> • This programmable prescaler in the Clock Prescaler register Divisor field • A programmable clock rate divisor in the CP0 register (CP0:SCR) <p>SSPCLK is calculated as follows: $SSPCLK = (7.3728 \text{ MHz} \div (\text{CPR:DVSR})) \div (1 + (\text{CP0:SCR}))$</p> <p>Program this field to the desired even-number eight-bit value for DVSR in the above equation (note that bit zero is always 0, hence DVSR is always an even number). The resulting value for SSPCLK must fall in the range of $113.386 \text{ Hz} < SSPCLK < 3.6864 \text{ MHz}$.</p>

15.2.2.7 SSP Status Register (SR)

This register, defined in Table 15-16 and Table 15-17, shows the FIFO fill status and the SSP busy status. Do not write to this register. Status is not reported unless the SSP is enabled.

Table 15-16. SR Register

BIT	31	30	29	28	27	26	25	24	23	22	21	20	19	18	17	16
FIELD	///															
RESET	0	0	0	0	0	0	0	0	0	0	0	0	0	0	0	0
RW	RO	RO	RO	RO	RO	RO	RO	RO	RO	RO	RO	RO	RO	RO	RO	RO
BIT	15	14	13	12	11	10	9	8	7	6	5	4	3	2	1	0
FIELD	///							RFF	TFE	ROR	RHF	THE	BSY	RNE	TNF	///
RESET	0	0	0	0	0	0	0	0	1	0	0	0	0	0	1	0
RW	RO	RO	RO	RO	RO	RO	RO	RO	RO	RO	RO	RO	RO	RO	RO	RO
ADDR	0x8000.0B14															

Table 15-17. SR Register description

BITS	NAME	DESCRIPTION
31:9	///	Reserved Reading returns 0. Values written cannot be read.
8	RFF	Receive FIFO Full Reports the Receive FIFO or holding register status: 1 = Receive FIFO is full. With FIFOs disabled, this value indicates the Receive holding register contains data. 0 = Receive FIFO is not full. With FIFOs disabled, this value indicates the Receive holding register contains no data.
7	TFE	Transmit FIFO Empty Reports the Transmit FIFO or holding register status: 1 = Transmit FIFO is empty. With FIFOs disabled, this value indicates the Transmit holding register contains no data. 0 = Transmit FIFO is not empty. With FIFOs disabled, this value indicates the Transmit holding register contains data.
6	ROR	Receive Overrun Reports the Receive FIFO Overrun status: 1 = The Receive FIFO Overrun Interrupt (RXOI) asserted. 0 = The Receive FIFO Overrun Interrupt (RXOI) deasserted.
5	RHF	Receive FIFO Half Full Reports the Receive FIFO watermark status: 1 = The Receive FIFO contains 4 or more entries. With FIFOs disabled, this value indicates the Receive holding register contains data. 0 = The Receive FIFO contains 3 or fewer entries. With FIFOs disabled, this value indicates the Receive holding register contains no valid data.
4	THE	Transmit FIFO Half Empty Reports the Transmit FIFO watermark status and SSP status: 1 = The Transmit FIFO has 4 or fewer entries, and the SSP is enabled. With FIFOs disabled, this value indicates the Transmit holding register is empty. 0 = The Transmit FIFO has 5 or more entries, or the SSP is disabled.
3	BSY	Busy Reports the Receive or Transmit activity status: 1 = SSP is currently transmitting or receiving a frame, or the transmit FIFO is not empty. 0 = SSP is idle.
2	RNE	Receive FIFO Not Empty Reports the Receive FIFO or holding register status: 1 = The Receive FIFO or holding register contains data. 0 = The Receive FIFO or holding register is empty.
1	TNF	Transmit FIFO Not Full Reports the Transmit FIFO or holding register status: 1 = The Transmit FIFO is not full or the holding register is empty. 0 = The Transmit FIFO is full or the holding register contains data.
0	///	Reserved Reading returns 0. Values written cannot be read.

Chapter 16

Universal Asynchronous Receiver/Transmitter (UART)

16.1 Theory of Operation

The LH7A404's three UARTs provide the interface between parallel data inside the MCU and asynchronous serial data on a peripheral. The UARTs implement signals to facilitate use as a modem and serial infrared (SIR) transceiver. Features include:

- Selectable data rates between 1,200 and 460,800 bits per second (bit/s)
- Parity checking
- Selectable signal polarity
- Break recognition and generation
- Flow control
- Receive and transmit buffers configurable for single character holding, or as 16-character FIFOs
- High and low watermark interrupts for the FIFOs.

16.1.1 UART Overview

UART1, shown in Figure 16-1, supports wired serial communications and implements infrared communication protocol, supporting a digital encoded output and decoded input with no analog processing. UART2 and UART3, shown in Figure 16-2 and Figure 16-3, support serial transmission and reception and implement modem communication with external support circuitry.

Each UART has dedicated registers for data, control, and status. The register and bit field structure is identical for all UARTs. Because infrared operation is unavailable in UART2 and UART3, the control and status fields corresponding to infrared operation are reserved in the UART2 and UART3 registers.

Each UART FIFO is configurable either as a 16-entry FIFO, or as a holding register with a capacity of a single data entry. For transmission, parallel data is written to the Data register (DATA), then transferred to the transmit FIFO and loaded to the shift register (as it becomes empty) for serial output. For reception, serial data is loaded into the shift register until a complete data frame has been received (see Section 16.1.1.1 for a definition of data frames). Then, the parallel data frame is loaded into the receive FIFO. The FIFO places the frame into DATA along with status information about each received data frame.

UART1 uses a single DATA register, but routes data to the infrared pins or wired serial communication pins, depending on its configuration. Signals are ignored on pins not configured.

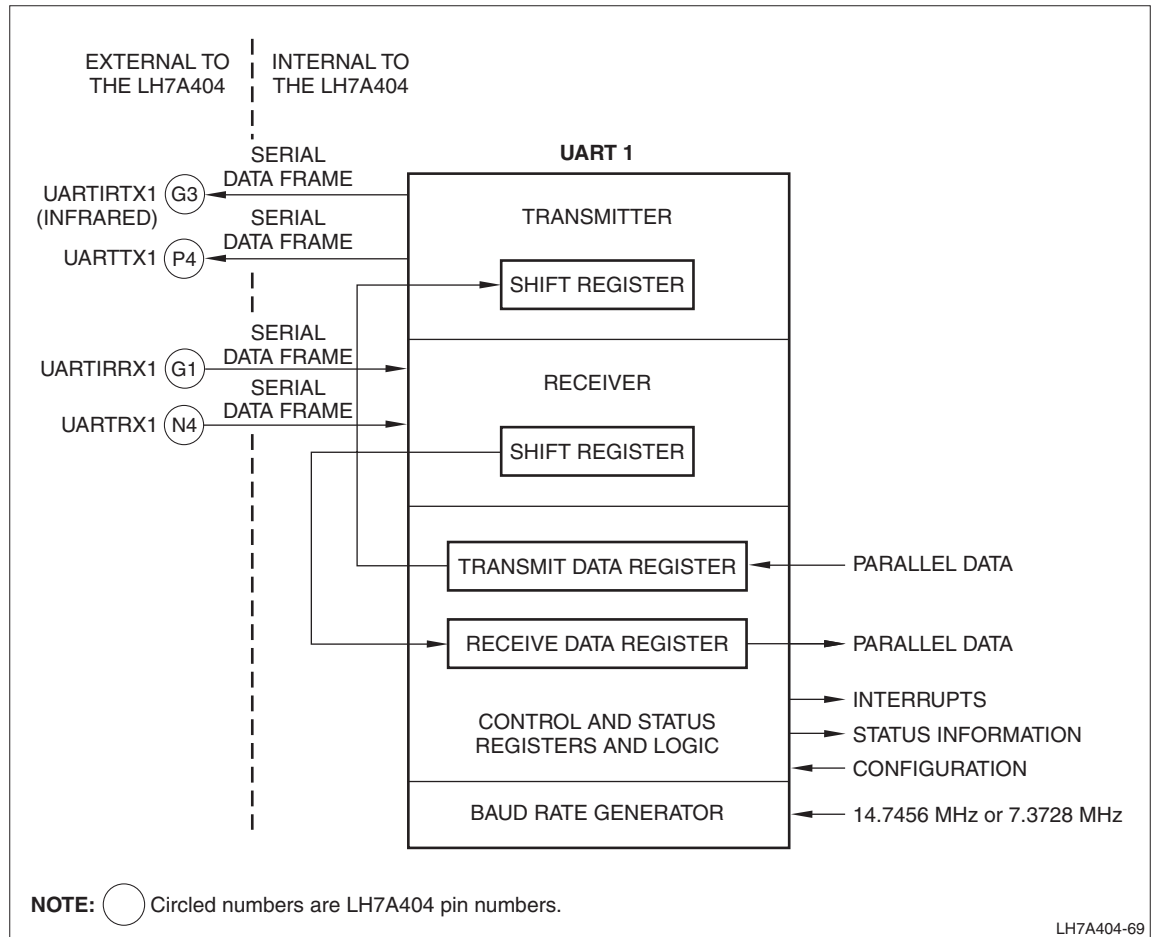


Figure 16-1. UART1 Block Diagram

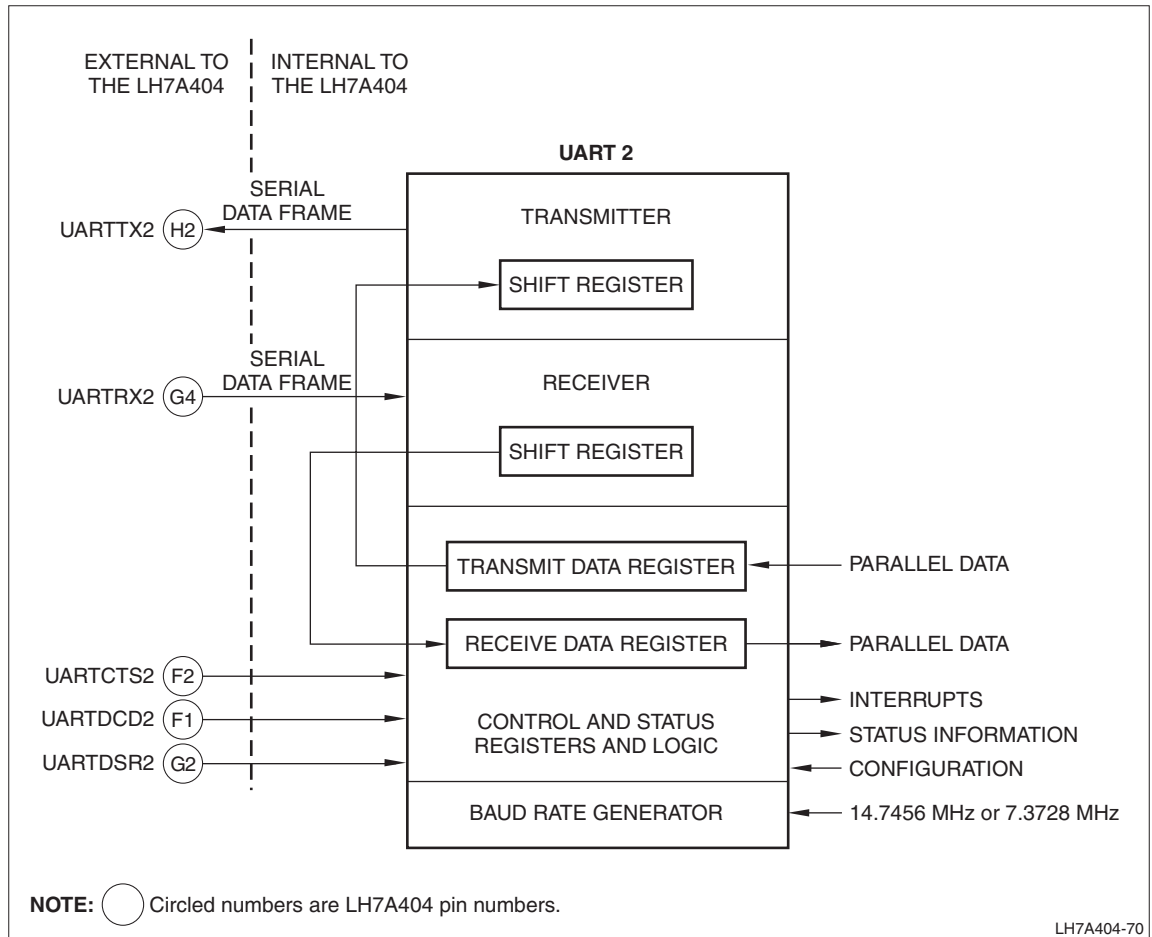


Figure 16-2. UART2 Modem Operation

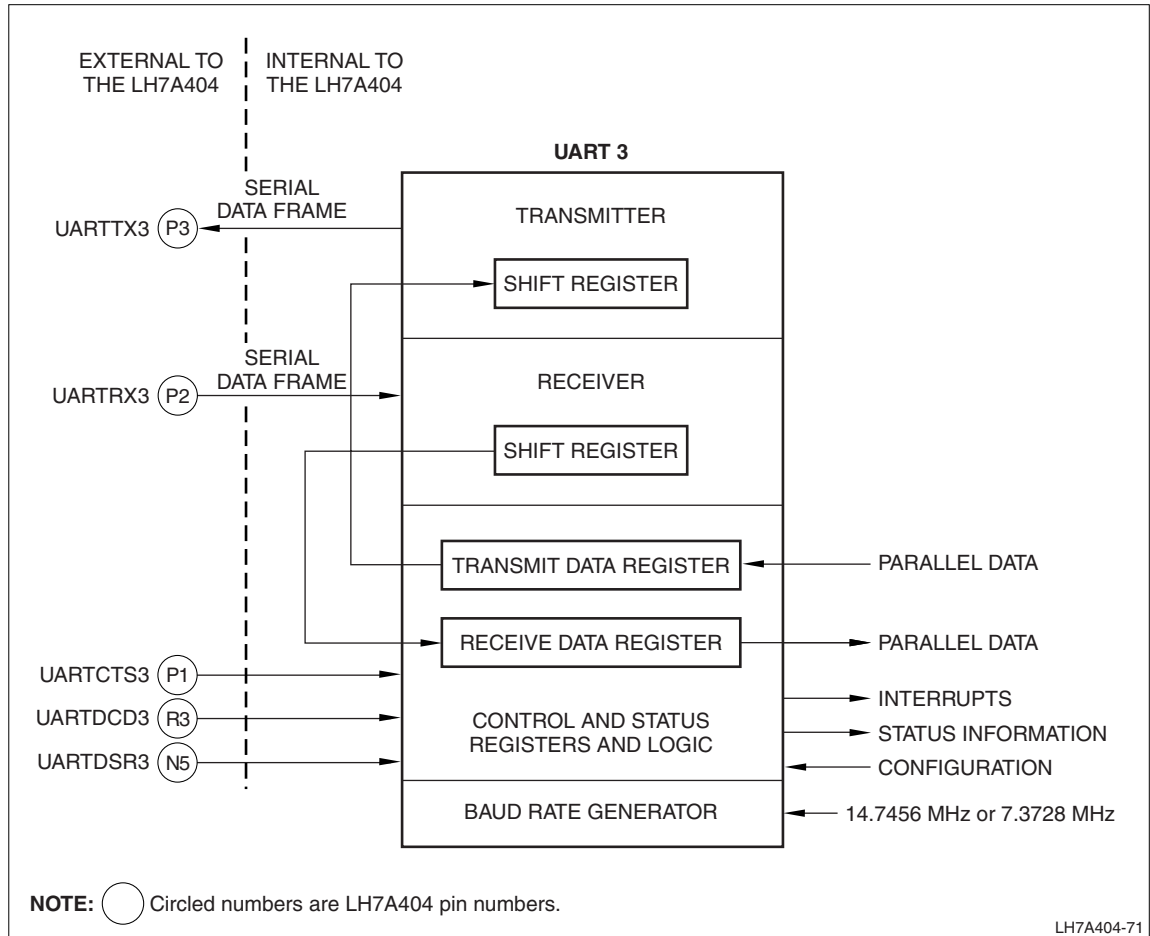


Figure 16-3. UART3 Modem Operation

16.1.1.1 Data Protocol

Serial data is assembled as 'frames' for parallel use. The UART data frames can be programmed to contain five to eight data bits. Each frame begins with a Start bit and ends with one or two Stop bits. During reception, a shift register accumulates the serial data until a complete frame is received, then transfers the frame to the receive FIFO. For transmission, parallel data frames are loaded from the transmit FIFO to the shift register, then serially shifted to the output.

Received data frames arrive on the input pins least-significant bit first. Transmitted data frames leave the output pins least significant bit first. A data frame consists of the following bit sequence, as shown in Figure 16-4:

- One start bit
- Five to eight data bits, as specified in the UART Control register (CON)
- One parity bit, as specified in CON
- One or two stop bits, as specified in CON.

The UART logic removes Start, Stop, and Parity bits and places the data bits into DATA. The UART adds the transmitted framing (start and stop) and parity bits to the output stream, and sets reception status bits in DATA.

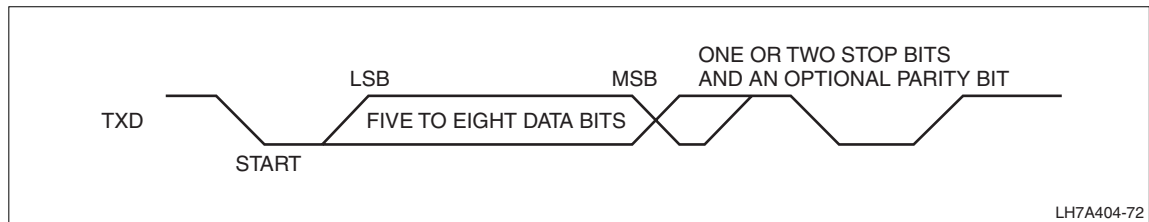


Figure 16-4. UART Data Frame

Each UART has a CON, which software can program to cause the UART to:

- Enable and disable each UART
- Enable and disable FIFO operation for each UART
- Select the signal polarity, data size, parity, and stop bits for each UART
- Specify the baud rate for each UART
- Send a break
- Enable, disable, and configure UART1 infrared operation
- Enable and disable loopback mode for each UART
- Enable and disable individual interrupts for each UART, including UART2 and UART3 status pin inputs.

Status (STATUS) and Interrupt registers (RAWISR and MISR), and some fields in DATA provide information regarding:

- The presence of data in a FIFO or holding register
- Whether the FIFO has exceeded the half-empty (for receive operation) or half-full (for transmit operation) point
- Framing and parity errors in received data
- Signals on UART2 and UART3 modem status inputs
- A received break condition
- Timeout and overflow conditions.

Each UART combines enabled individual interrupts into a two interrupts to be handled by the LH7A404 VIC. One interrupt, UARTxINTR, is the logical OR of all eight UART interrupt sources. The other interrupt, UARTxERR, is a subset of UARTxINTR, comprising the logical OR of only the error-generated interrupts (overrun error, break error, parity error, and frame error). The error generated interrupts may be individually masked.

16.1.1.2 Operation Summary

All communication between software and the UART blocks takes place through the register set. Use of the register set is described in the detailed operational section of this chapter, and register programming tables appear in the last part of this chapter.

At power up, software must program the configuration parameters for the UARTs that the system will use. Once configured, software can then enable each of the configured UARTs. Once the UARTs are enabled, they can begin receiving and transmitting data.

16.1.1.2.1 Receive Summary

Serial data is received on the UARTRXx or UARTRRx pins. The data is loaded into the UART's shift register until a complete data frame is received. Once the data frame is complete, it is moved to the FIFO and the shift register can immediately begin shifting in the next data frame. The FIFO can be programmed to receive a single frame at a time (by disabling the FIFO) or to receive multiple frames (by enabling the FIFO). Software can become aware of received data via either polling or interrupts.

To use polling, software reads STATUS at programmed intervals to determine if the FIFO has any data to be read. Two bits, Receive FIFO Empty (RXFE) and Receive FIFO Full (RXFF), report to software whether data is ready to be read. With data present, software reads DATA then polls STATUS repeatedly, until the RXFE is 1, indicating that all valid FIFO data has been read.

For an interrupt-driven system, software must first enable interrupts by writing to the Interrupt Enable register (INTEN). The UART begins receiving data and filling the FIFO. When the FIFO exceeds half full (eight entries), the Receive Interrupt (RI) is set. The interrupt service routine can read the Masked Interrupt Status Register (MISR) to determine that RI is set, and then begin reading data from DATA.

Overrun errors (data received when the FIFO is already full), Break errors (break in data stream), Parity errors (invalid received data), Framing errors (no Stop bit detected) are all posted in DATA so that software can immediately deal with an error condition upon reading the erroneous data. The UARTxERR interrupt is generated whenever one or more of the error conditions occur, if the interrupt is not masked.

Receive timeout errors (at least one unread data character in DATA and no further data has appeared for a 32-clock cycle period) also generate an interrupt.

16.1.1.2.2 Transmit Summary

Software writes a complete parallel data frame to DATA. Immediately upon the data frame being written, the UART loads the frame into its transmit FIFO. If the FIFO was empty prior to loading the data frame, the UART immediately moves it to the shift register, appends Start and Stop bits, generates parity, if enabled and sets the BUSY bit to 1. Then, data transmission begins on the UARTTx or UARTIRTX pin. As with receiving, software can program either polling or interrupt operation for transmit. Also, the FIFO can be set up for single-frame operation (by disabling the FIFO) or FIFO operations (by enabling the FIFO).

For polling operation, software reads STATUS to determine if the FIFO has room. STATUS contains the Transmit FIFO Empty (TXFE) and Transmit FIFO Full (TXFF) bits for software to determine the FIFO condition. As long as TXFF is not 1, software can continue loading data frames into DATA. If the UART is programmed for single frame operation, the Busy bit in STATUS indicates that the character has not finished transmission.

For an interrupt driven system, software must first enable interrupts by writing to INTEN. Software continues to write to DATA until the Transmit Interrupt is cleared, indicating that the FIFO has exceeded half full, or if in single character mode, that the previous character has been sent and the shift register is empty. If the FIFO empties to half full (8 entries), the Transmit Interrupt is set, indicating that additional data should be written to the DATA register.

16.1.1.2.3 Modem Summary

UART2 and UART3 can, with external circuitry, implement a modem. The state of each of the three modem inputs, DCD, DSR, and CTS, can be read by software from STATUS. Software can then use these signals to implement modem communications.

16.1.1.2.4 Loopback Summary

Each of the UARTs can be set to loopback mode for testing. In loopback mode, the UART routes its transmit signal directly to the receive input, allowing software to send test characters through the UART.

16.1.2 Configuring the UARTs

This section discusses UART configuration affecting both the receive and transmit operations. Following reset, the UART interrupts are disabled and must be enabled prior to writing the corresponding Control and Configuration registers to avoid generating spurious interrupts. See Section 16.1.6.

16.1.2.1 Selecting FIFO or Non-FIFO Operation

Each FIFO is configurable as a 16-frame FIFO or as a single character holding register. To enable 16-character FIFO operation, program the UART FIFO Control register (FCON) FIFO Enable bit (FCON:FEN) to 1. Programming this bit to 0 disables FIFO operation, configuring the FIFO as a single character holding register.

16.1.2.2 Specifying the Data Size

The data character occupies the least significant five, six, seven, or eight bits of each DATA Data field (DATA:D). To specify the character size in bits, write the FIFO and Framing Control Register (FCON) Word Length field (FCON:WLEN) as shown in Table 16-1.

Table 16-1. Data Size and Location

FCON:WLEN VALUE	DATA SIZE	DATA BIT POSITIONS
11	8 bits	DATA[7:0]
10	7 bits	DATA[6:0]
01	6 bits	DATA[5:0]
00	5 bits	DATA[4:0]

16.1.2.3 Enabling and Specifying Parity

Parity type can be selected as either even or odd. When parity is enabled, an additional bit is appended to the data frame. This bit is either a 1 or 0, so that the sum of the individual frame bits will result in an even or odd number, as required by the selected parity type. With parity enabled and specified, the UART checks received data for even or odd parity and transmits data with even or odd parity.

1. To enable parity operations, program the FCON Parity Enable bit (FCON:PEN) to 1.
2. To specify even parity, program the Even Parity Select bit (FCON:EPS) to 1. To specify odd parity, program this bit to 0.

16.1.2.4 Specifying the Baud Rate

The baud rate for each UART applies to both the receive and transmit operations. Baud rate is generated by dividing the UART reference clock by a programmed divisor. The UART reference clock can be set to use the LH7A404 input clock (14.7456 MHz), or to pre-divide the clock by 2 (7.3728 MHz).

To specify a baud rate for a UART, first program the divisor for the UART reference clock. Bit 29 (PWRCNT:UARTBAUD) of the PWRCNT register in the Clock and State controller block determines the divisor. This bit is programmed to 0 at reset, setting the UART reference divisor to 2. To use the MCU input clock directly (14.7456 MHz), program this bit to

1. For more details, see the Clock and State Controller chapter.

Next, program a divisor to the Baud Rate Control Register (BRCON) Baud Divisor field (BRCON:BAUDDIV). Calculate BAUDDIV using BAUD in bits per second (bit/s):

$$\text{BAUDDIV} = ([\text{UART reference clock frequency in Hz}] \div (16 \times \text{BAUD})) - 1$$

Table 16-2 shows some example baud rates and the corresponding divisors to be programmed into UBRCON:BAUDDIV.

For infrared operation, the transmitted pulse is 3/16 the duration of the baud rate, as shown in Figure 16-5.

Table 16-2. Example Baud Rates and BAUDDIV Values

BAUD (BITS PER SECOND)	BAUDDIV	
	UARTBAUD = 1 (14.7456 MHz)	UARTBAUD = 0 (7.3728 MHz)
2400	0x17F	0xBF
4800	0xBF	0x5F
9600	0x5F	0x2F
19200	0x2F	0x17
28800	0x1F	0x0F
38400	0x17	0x0B
57600	0x0F	0x07
76800	0x0B	0x05
115200	0x07	0x03
153600	0x05	0x02
230400	0x03	0x01
460800	0x01	0x00
INVALID	0x00	N/A

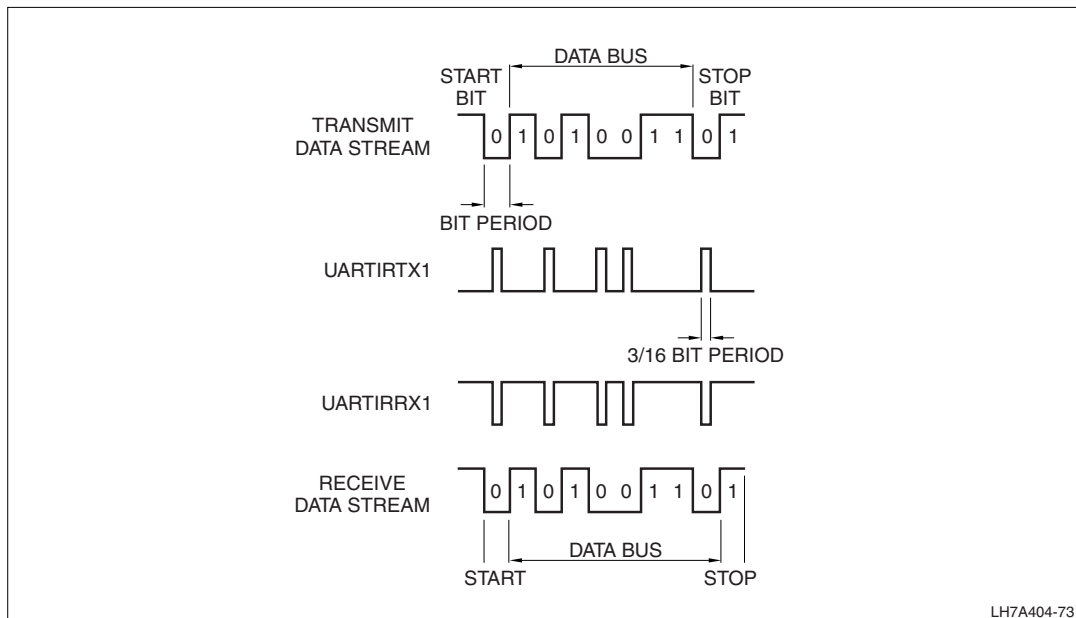


Figure 16-5. Infrared Pulse Timing

16.1.2.5 Setting Low Power Mode for Infrared Operation

For low power operation, program the UART Control Register (CON) Serial Infrared Low Power bit (CON:SIRLP) to 1. Program this bit to 0 for normal power.

16.1.2.6 Selecting Signal Polarity

The UARTs can send and receive data as active HIGH, that is, a 1 data value corresponding to a HIGH level signal; or as active LOW, that is, a 1 data value corresponding to a LOW level signal. The polarity of the modem control signals, DTS, DCD, and DSR, can also be programmed.

To specify polarity, program the CON Modem Transfer Polarity, Transmit Polarity, and Receive Polarity bits (CON:MXP, CON:TXP, and CON:RXP):

- The three modem signals, DTS, DCD, and DSR are configured using the MXP bit in CON. The signals are all active HIGH or active LOW, based on this bit, and cannot be individually configured. These signals are configured active HIGH by programming MXP to 1, and active LOW by programming MXP to 0.
- UART Transmit Polarity is specified with the TXP bit in CON. For active LOW transmission, program TXP to 1. For active HIGH transmission, program this bit to 0.
- UART Receive Polarity is specified with the RXP bit in CON. For active LOW reception, program RXP to 1. For active HIGH reception, program this bit to 0.

16.1.2.7 Configuring the UART3 Multiplexed Pins

The UART3 pins are multiplexed with the General Purpose Input and Output (GPIO) Port B pins. These pins must be configured prior to using UART3 by programming the GPIO Pin Multiplexing (PINMUX) register. To use the pins for UART3, program the PINMUX UART3 Configuration bit (PINMUX:UART3CON) to 1. This register is mapped in GPIO memory, at 0x8000.0E2C. If this bit is not programmed to 1, the pins function as GPIO. See the GPIO chapter for more information on PINMUX.

16.1.2.8 Configuring UART1 for Infrared Operation

To enable infrared operation, program the CON register Serial Infrared Disable bit (CON:SIRD) to 0. To disable infrared operation, program this bit to 1.

16.1.3 Managing the Receive Operation

This section discusses configuring the UARTs for the receive operation. Data reception follows this order:

1. Input from the pin is serially loaded into the shift register until a complete frame is received, then the parallel frame is moved to the receive FIFO.
2. The UART checks for correct framing and parity and for a break value. If correct, the UART continues; if an error is detected, the proper error bit or interrupt is set.
3. The UART stores the data in the Receive FIFO and asserts any relevant interrupts.
4. The oldest received frame is moved, along with its status bits, to DATA after software has read the previous value.

Note that the error flags in UART 1, 2, and 3 (bits [11:8] in Data register) are not cleared by reading the DATA register, but cleared when a new character is received.

16.1.3.1 UART Input Pins

The UART input pins are:

- UARTRX1 (pin N4) is used for wired serial operation. For non-infrared operation, UART1 ignores any UARTIRRX1 input.
- UARTIRRX1 (pin G1) is the infrared reception pin. If enabled, input to UARTRX1 is ignored.
- UARTRX2 (pin G4) for UART2.
- UARTRX3 (pin P2) for UART 3.

16.1.3.2 Framing

The UART recognizes the beginning of a frame by a Start bit. When the input signal is in Marking state (continuously sending 1 values), a 1 to 0 transition starts a counter based on the programmed baud rate (see Section 16.1.2.4) (Note that the signal polarity for 1 and 0 is programmable to active HIGH or active LOW). The counter alternately drives the baud clock 1 and 0 for half-period lengths defined by the time the counter takes to count down to zero. It is then reloaded and restarts another half cycle. A 0 input during the eighth counter cycle confirms a Start bit. An 1 input on the eighth cycle indicates a False Start and a return to Marking state.

After a confirmed Start bit, the UART samples data on the 8th counter cycle (half way through a bit period). The length of the frame depends on the data size.

At the end of a frame, the UART checks for one Stop bit and ignores any additional Stop bits. A missing Stop bit causes a framing error, setting to 1 the DATA Framing Error bit (DATA:FE) associated with the data containing the framing error, and generating an interrupt (if enabled).

16.1.3.3 Data Handling

The UARTs generate interrupts or post status data indicating:

- The presence or absence of data in the Receive FIFO
- Whether the receive FIFO has exceeded half full
- An overrun error (data received with a full FIFO)
- A timeout situation (data not received within one frame-time of a Start bit).

When unread data is available, the UART Receive Interrupt (RI) indicates either:

- The FIFO is half full; that is, the FIFO contains eight of the maximum possible 16 data frames. The interrupt is cleared when the FIFO contains no more than seven unread frames, and re-set whenever the FIFO becomes half-full again.
- The FIFO is disabled and contains an entry. Reading the entry clears the interrupt.

The Receive Interrupt appears in the UART Raw Interrupt register Receive Interrupt bit (RAWISR:RI). When enabled, RI also appears in the Interrupt Status register RI bit (MISR:RI). To enable RI, program the Interrupt Enable register bit (INTEN:RI) to 1. To disable this interrupt, program INTEN:RI to 0.

The UART Status register Receive FIFO Full field (STATUS:RXFF) indicates the FIFO is full. Receiving additional data causes an overrun error, and the UART:

- Preserves the DATA contents. Any subsequent data on the input overwrites the shift register. No additional data is moved from the shift register to the FIFO until the overrun error is cleared.
- Reports the overrun error by setting the DATA Overrun Error bit (DATA:OE) corresponding to the most recently received data, to 1, and generating an interrupt (if enabled).

After the overrun error is cleared, the UART resumes moving data from the shift register into the FIFO as soon as a complete frame has been received in the shift register.

The UART Receive Timeout Interrupt (RTI) indicates at least one unread data frame is in the FIFO and no further data has appeared for a 32-clock cycle period. UARTINTR appears in the RAWISR Receive Timeout Interrupt field (RAWISR:RTI). When enabled, UARTINTR also appears in MISR:RTI. To enable UARTINTR, set INTEN:RTI. To clear this interrupt, write 0 to INTEN:RTI.

The STATUS Receive FIFO Empty bit (STATUS:RXFE) indicates the FIFO is empty.

Disabling the UART stops reception on the subsequent frame boundary. Disabling the UART gates-off the baud clock used for data transmission and reception. The UART need not be enabled for software to read DATA. Programming UART registers with the UART disabled can cause unpredictable operation.

16.1.3.4 Checking Parity

With parity enabled and specified, a mismatch between the parity of the received data and the specified parity selection causes a parity error. The UART reports a parity error by setting the DATA Parity Error field (DATA:PE) associated with the data containing the parity error to 1, and generates a parity error interrupt (if enabled).

16.1.3.5 Identifying a Break

A break occurs when the input signal is deasserted for longer than the period required to receive a complete frame. For a break condition, the UART:

- Stores a single data character, with all bits 0
- Sets the DATA Break Error field (DATA:BE) associated with this character to 1
- Generates a break error interrupt (if enabled)
- Stores no more data until the input pin goes to the marking state and a valid start bit is confirmed.

16.1.4 Managing the Transmit Operation

This section discusses configuring the UARTs for the transmit operation.

16.1.4.1 Configuring the Output Pins

The output pins are:

- UARTTX1 (pin N4) for wired serial operation.
- UARTIRTX1 (pin G3) for UART1 infrared operation. For infrared operation, UARTTX1 is held in the 1 state. See Section 16.1.2.4.
- UARTTX2 (pin H2) for UART2 operation
- UARTTX3 (pin P3) for UART3 operation.

Standby and Idle modes force the transmission outputs to inactive states. The inactive state of each UART depends on whether polarity inversion is in effect for the UART. See Section 16.1.2.6.

16.1.4.2 Framing and Generating Parity

The UART inserts a leading Start bit, and appends any required Parity bit, and one or two Stop bits in the output shift register. To send two Stop bits, program the FCON Stop 2 bit (FCON:STP2) to 1. To send one Stop bit, program this bit to 0.

16.1.4.3 Entering a Break State

When this bit is programmed to 1, a LOW is continually output on the UARTTXx pin, following the completion of any character that is currently being sent. FCON:BRK must remain 1 for at least one complete frame transmission period to generate a Break condition.

To stop the Break, program FCON:BRK to 0: the UART resumes transmission from the FIFO. The Break state has no effect on the FIFO contents.

16.1.4.4 Handling the Data

Data to be transmitted is written to the DATA register. DATA contents are loaded into the FIFO, and as soon as a complete frame has been loaded to the FIFO, the UART transfers that frame to the shift register and serial transmission commences. Data continues to be transmitted until there is no data left in the transmit FIFO.

The Busy signal goes HIGH as soon as data is written to the transmit FIFO (that is, the FIFO is non-empty) and remains HIGH while data is being transmitted. Busy is automatically negated when the transmit FIFO becomes empty and the last character has been transmitted from the shift register, including the Stop bit(s). Busy may be HIGH even though the UART may not be enabled, if data remains in the shift register.

Specific interrupt and status values indicate:

- If the UART is transmitting a data frame
- Whether the FIFO is empty
- Whether the transmit FIFO is less than half full.

The Transmit Interrupt (TI) indicates either:

- The FIFOs are enabled and the transmit FIFO is at least half-empty (it has space for eight or more entries), the transmit interrupt is set to 1. The interrupt is cleared when the transmit FIFO is filled to more than half full.
- FIFO operation is disabled and it is empty. Writing to DATA clears the interrupt.

If no more data is to be transmitted, TI should be disabled to avoid erroneous servicing.

The TI bit appears in the Raw Transmit Interrupt Status register (RAWISR:TI). To enable TI, program INTEN:TI to 1. To disable this interrupt, program INTEN:TI to 0. When enabled, TI also appears in MISR:TI.

When the transmit FIFO is empty and the UART remains enabled:

- The UART asserts the output signal HIGH
- The UART sets the STATUS Transmit FIFO Empty bit (STATUS:TXFE) to 1. Writing to DATA clears this bit.

When the FIFO is full, the UART sets the STATUS Transmit FIFO Full bit (STATUS:TXFF) to 1. This bit is cleared to 0 automatically when at least one empty entry exists in the transmit FIFO.

Note that the error flags in UART 1, 2, and 3 (bits [11:8] in Data register) are not cleared by reading the DATA register, but cleared when a new character is received.

16.1.5 Using the External Modem Control Signals

Any input on a UART2 or UART3 modem status pin appears in a corresponding bit in the STATUS status register, as shown in Table 16-3. For UART1, these STATUS bits are undefined.

State changes on modem status pins assert the UART Modem Status Interrupt (MI). This interrupt appears in the RAWISR Modem Interrupt bit (RAWISR:MI). To enable this interrupt, program INTEN:MI to 1. To disable this interrupt, program INTEN:MI to 0. When enabled, MI also appears in MISR:MI. To clear MI, write the RAWISR Modem Status End-of-Interrupt field (RAWISR:MSEOI). Writing any 28-bit value to RAWISR:MSEOI clears only RAWISR:MI.

No modem status signals are available for UART1 operation. Use GPIO inputs to implement modem control. The following fields are unused in UART1 registers:

- The STATUS Data Carrier Detect, Data Set Ready, and Clear-to-Send fields (STATUS:DCD, STATUS:DSR, and STATUS:CTS)
- RAWISR:MI, INTEN:MI, and MISR:MI

Table 16-3. Modem Status Inputs

SIGNAL NAME	DESCRIPTION	UART2 PIN	UART3 PIN
DCD	Data carrier detect	E2	M11
DSR	Data set ready	K10	N10
CTS	Clear to send	F4	M10

16.1.6 Configuring and Handling Interrupts

Each UART can send a single, combined interrupt to the LH7A404 VIC, representing one or more of the following interrupts:

- Receive Timeout Interrupt
- Modem Status Interrupt
- Transmit Interrupt
- Receive Interrupt
- Overrun Error Interrupt
- Break Error Interrupt
- Parity Error Interrupt
- Frame Error Interrupt.

In addition, a second combined interrupt of just the four error conditions can be generated and sent to the VIC. The VIC can be programmed to treat these interrupts as IRQ or FIQ interrupts, and can also treat each interrupt as either a vectored or non-vectored interrupt. See the VIC chapter for details regarding programming UART interrupt handling in the VIC.

When configuring each UART, program INTEN to enable and disable the interrupts used for generating the combined interrupts. Programming a bit in INTEN to 1 enables the corresponding interrupt. Programming a bit to 0 disables the corresponding interrupt.

When the combined UARTx Interrupt (UARTxINTR) is asserted, software can read MISR to identify all interrupt sources. The MISR is a logical bitwise-AND of RAWISR and INTEN:

MISR:RTIM = RAWISR:RTI <AND> INTEN:RTIEN

MISR:MIM = RAWISR:MI <AND> INTEN:MIEN

MISR:TIM = RAWISR:TI <AND> INTEN:TIEEN

MISR:RIM = RAWISR:RI <AND> INTEN:RIEN

MISR:OEIM = RAWISR:OEI <AND> INTEN:OEIEN

MISR:BEIM = RAWISR:BEI <AND> INTEN:BEIEN

MISR:PEIM = RAWISR:PEI <AND> INTEN:PEIEN

MISR:FEIM = RAWISR:FEI <AND> INTEN:FEIEN

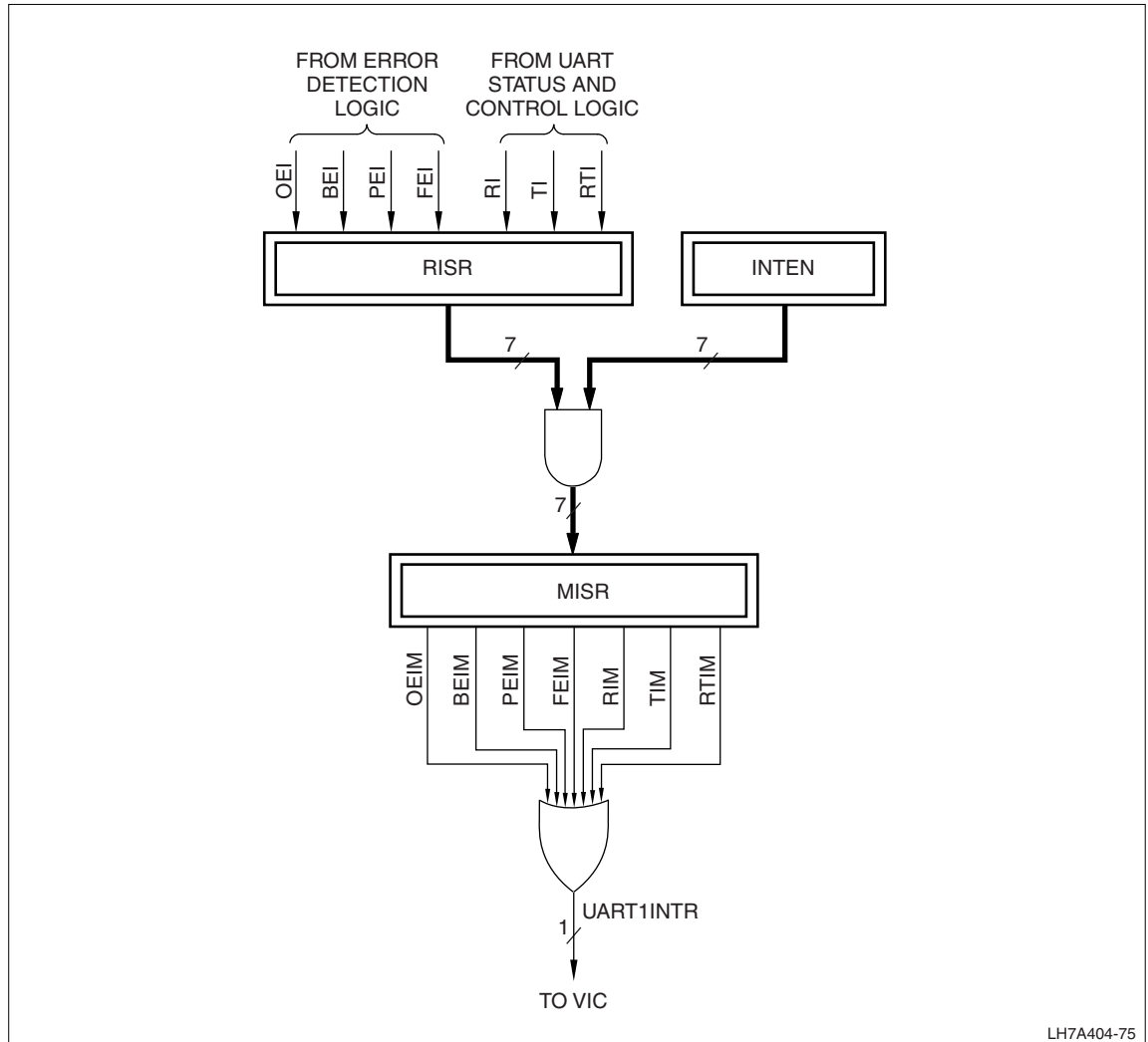
UARTx generates UARTxINTR by performing a logical OR of all the MISR bits (Where the x is 1, 2, or 3, corresponding to UART1, UART2, or UART3):

UARTxINTR = MISR:RTIM <OR> MISR:MIM <OR> MISR:TIM <OR> MISR:RIM <OR>
MISR:OEIM <OR> MISR:BEIM <OR> MISR:PEIM <OR> MISR:FEIM

UART1INTR is generated from RTI, RI, TI, OEI, BEI, PEI, and FEI, as shown in Figure 16-6, because no Modem Status Interrupts are available. UART2INT and UART3INT are generated from the RTI, RI, TI, MI, OEI, BEI, PEI, and FEI, as shown in Figure 16-7.

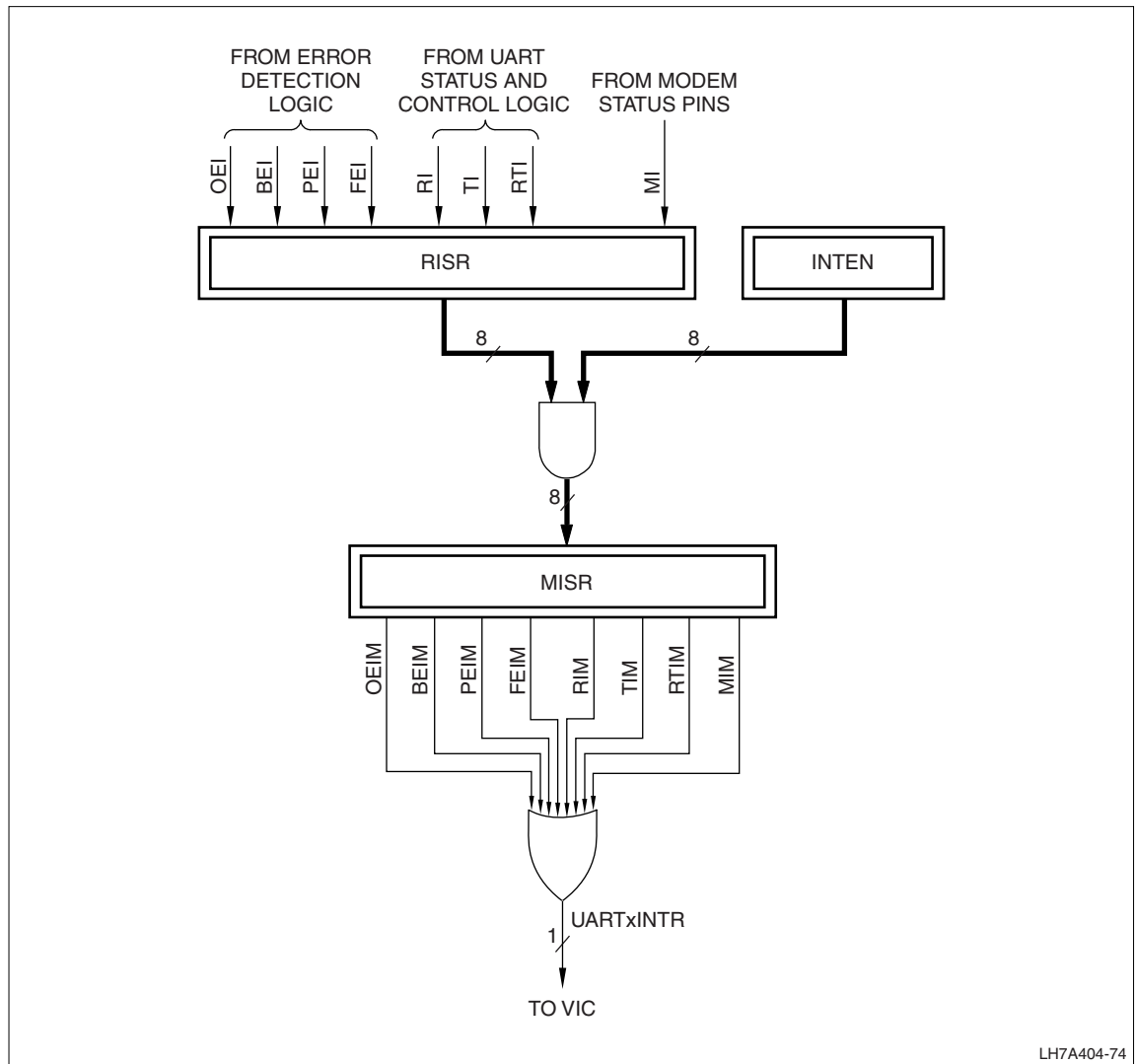
UARTx generates UARTxERR by performing a logical OR of the MISR error bits:

$$\text{UARTxERR} = \text{MISR:OEIM} \text{ <OR> } \text{MISR:BEIM} \text{ <OR> } \text{MISR:PEIM} \text{ <OR> } \text{MISR:FEIM}$$



LH7A404-75

Figure 16-6. UART1 Interrupt Generation



LH7A404-74

Figure 16-7. UART2 and UART3 Interrupt Generation

To avoid spurious interrupts when configuring and enabling each UART:

1. Program the VIC Interrupt Enable register bits (INTEN2:UARTxINTR) to disable the combined interrupt for each UART, and the error interrupt (INTEN2:UARTxERR).
2. Program all interrupt bits in INTEN to 0 to disable the corresponding UART interrupts.
3. Program CON:UARTEN to 1 to enable UARTx.
4. Do NOT enable any UART interrupts until the entire interrupt handler chain has been initialized, including the installation of any UART handlers.
5. Clear all UARTx interrupts:
 - a. Read UARTxDATA until the FIFO is empty.
 - b. For UART2 or UART3, clear the modem status interrupts.
6. Configure UARTx. Program any bits in INTEN2 to 1 to enable the corresponding interrupt as the final step in configuration.
7. Program the corresponding VIC INTEN2:UARTxINTR to enable the UARTx combined interrupt.

16.1.7 Configuring Loopback Mode

To test transmission and reception, use Loopback mode. Configure UARTRX as the input for UARTRX, and UARTIRTX1 as the input for UARTIRRX1, by setting the CON Loopback Enable field (CON:LBE). Clear this field for normal UART operation.

No isolation mechanism in the hardware prevents loopback transmission from interfering with reception. Therefore, isolation is provided by enabling receiver blanking. When using UART1 in Loopback mode with infrared operation enabled, disable the receiver blanking by programming the CON Serial Infrared Blanking Disable bit (CON:SIRBD) to 1. Program this bit to 0 to enable receiver blanking.

16.2 Register Reference

This section describes the registers used in UART operation.

16.2.1 Memory Map

The UART base addresses are:

- UART1 UARTBASE = 0x8000.0600
- UART2 UARTBASE = 0x8000.0700
- UART3 UARTBASE = 0x8000.0800

The offsets for the registers shown in Table 16-4, and in the individual register descriptions in the following sections, are relative to each UARTx base address.

Table 16-4. UART Register Memory Map

ADDRESS OFFSET	NAME	DESCRIPTION
0x00	DATA	Data Register
0x04	FCON	FIFO Control Register
0x08	BRCON	Baud Rate Control Register
0x0C	CONx	Control Register
0x10	STATUS	Status Register
0x14	RAWISR	Raw Interrupt Status Register
0x18	INTEN	Interrupt Mask Register
0x1C	MISR	Masked Interrupt Status Register
0x20	RES	Receive Error Status and Clear Register
0x24	EIC	Error Interrupt Clear Register
0x28	DMACR	DMA Control Register
0x2C - 0xFF	///	Reserved. Avoid reading or writing these locations.

16.2.2 Register Descriptions

The following sections describe the contents and use of the register bit fields.

16.2.2.1 Data Register (DATA)

This register, defined in Table 16-5 and Table 16-6, contains:

- Received data and corresponding status information.
- Data to be transmitted.

When an error is received, the corresponding error interrupt bit is set and an error interrupt (UARTxERR) is generated, if enabled. The UARTxERR is also a separate input to the VIC from the UARTxINTR general interrupt.

Note that the error flags in UART 1, 2, and 3 (bits [11:8] in Data register) are not cleared by reading DATA register, but cleared when a new character is received.

Table 16-5. DATA Register as Used for Receive Operation

BIT	31	30	29	28	27	26	25	24	23	22	21	20	19	18	17	16
FIELD	///															
RESET	0	0	0	0	0	0	0	0	0	0	0	0	0	0	0	0
TYPE	RO	RO	RO	RO	RO	RO	RO	RO	RO	RO	RO	RO	RO	RO	RO	RO
BIT	15	14	13	12	11	10	9	8	7	6	5	4	3	2	1	0
FIELD	///				BE	OE	PE	FE	D7	D6	D5	D4	D3	D2	D1	D0
RESET	0	0	0	0	0	0	0	0	0	0	0	0	0	0	0	0
TYPE	RO	RO	RO	RO	RO	RO	RO	RO	RO	RO	RO	RO	RO	RO	RO	RO
ADDR	UARTBase + 0x00															

Table 16-6. DATA Register as Used for Transmit Operation

BIT	31	30	29	28	27	26	25	24	23	22	21	20	19	18	17	16	
FIELD	///																
RESET	NA	NA	NA	NA	NA	NA	NA	NA	NA	NA	NA	NA	NA	NA	NA	NA	
TYPE	WO	WO	WO	WO	WO	WO	WO	WO	WO	WO	WO	WO	WO	WO	WO	WO	
BIT	15	14	13	12	11	10	9	8	7	6	5	4	3	2	1	0	
FIELD	///									D7	D6	D5	D4	D3	D2	D1	D0
RESET	NA	NA	NA	NA	NA	NA	NA	NA	NA	NA	NA	NA	NA	NA	NA	NA	
TYPE	WO	WO	WO	WO	WO	WO	WO	WO	WO	WO	WO	WO	WO	WO	WO	WO	
ADDR	UARTBase + 0x00																

Table 16-7. DATA Fields

BITS	NAME	DESCRIPTION
31:12 When Read	///	Reserved Reading this field returns 0.
31:8 When Written	///	Reserved Values written to this field cannot be read back.
11	BE	Break Error A break occurs when the input signal is deasserted for longer than the period required to receive a complete frame. 1 = The UART has detected a break. The data character in D[7:0] is all zeroes. Values written to this field cannot be read back. 0 = No break detected.
10	OE	Overrun Error 1 = An overrun error has occurred; that is, a data character has arrived with the receive FIFO already full. Subsequent input overwrites the shift register. 0 = No overrun error. Values written to this field cannot be read back.
9	PE	Parity Error 1 = A parity error has occurred; that is, FCON1 is set, enabling parity, and the data character does not match the parity specified in FCON2. 0 = No parity error. Values written to this field cannot be read back.
8	FE	Framing Error 1 = A framing error has occurred; that is, the UART did not detect a stop bit at the end of the received data character. 0 = No parity error. Values written to this field cannot be read back.
7:0	D[7:0]	Data For receive operations, this field contains the received data character. Once this field is read, the data can be overwritten by subsequent data from the shift register; however, the data remains until overwritten. For transmit operations, write the data to be transmitted to this field.

16.2.2.2 FIFO and Framing Control Register (FCON)

This register, defined in Table 16-8 and Table 16-9, contains the configuration information for the received and transmitted data:

- Specifies the data length.
- Enables or disables FIFO operation.
- Configures framing.
- Sends a break.

Table 16-8. FCON Register

BIT	31	30	29	28	27	26	25	24	23	22	21	20	19	18	17	16
FIELD	///															
RESET																
TYPE	RO	RO	RO	RO	RO	RO	RO	RO	RO	RO	RO	RO	RO	RO	RO	RO
BIT	15	14	13	12	11	10	9	8	7	6	5	4	3	2	1	0
FIELD	///									WLEN		FEN	STP2	EPS	PEN	BRK
RESET										0	0	0	0	0	0	0
TYPE	RO	RO	RO	RO	RO	RO	RO	RO	RO	RW	RW	RW	RW	RW	RW	RW
ADDR	UARTBase + 0x04															

Table 16-9. FCON Fields

BITS	NAME	DESCRIPTION
31:7	///	Reserved Reading returns 0. Values written cannot be read.
6:5	WLEN	Word Length Specifies or reports the number of bits in a data character: 11 = 8-bit data 10 = 7-bit data 01 = 6-bit data 00 = 5 bit data
4	FEN	FIFO Enable Enables or disables FIFO operation: 1 = Enable FIFO operation. 0 = Disable FIFO operation.
3	STP2	Stop 2 Specifies or reports the number of stop bits transmitted at the end of each frame: 1 = Transmit two stop bits. 0 = Transmit one stop bits. This field affects only the transmit operation. The receive operation checks for one stop bit and ignores any additional stop bits.
2	EPS	Even Parity Set Specifies even or odd parity: 1 = Specifies even parity. 0 = Specifies odd parity. This field has no effect when FCON[1] = 0.
1	PEN	Parity Enable Enables or disables parity checking and generation: 1 = Enables parity checking and generation. 0 = Disables parity checking and generation.
0	BRK	Break Assert break: 1 = After completing transmission of the current data character, deassert the UARTTX output. This field must remain set at least one frame transmission time to be detected as a break. 0 = Deassert break.

16.2.2.3 Baud Rate Control Register (BRCON)

Specifies the baud rate. The register is defined in Table 16-10 and Table 16-11.

Table 16-12 shows some example baud rates and the corresponding BAUDDIV values.

Table 16-10. BRCON Register

BIT	31	30	29	28	27	26	25	24	23	22	21	20	19	18	17	16
FIELD	///															
RESET																
TYPE	RO	RO	RO	RO	RO	RO	RO	RO	RO	RO	RO	RO	RO	RO	RO	RO
BIT	15	14	13	12	11	10	9	8	7	6	5	4	3	2	1	0
FIELD	BAUDDIV															
RESET	0	0	0	0	0	0	0	0	0	0	0	0	0	0	0	0
TYPE	RW	RW	RW	RW	RW	RW	RW	RW	RW	RW	RW	RW	RW	RW	RW	RW
ADDR	UARTBase + 0x08															

Table 16-11. BRCON Fields

BITS	NAME	DESCRIPTION
31:16	///	Reserved Reading returns 0. Values written cannot be read.
15:0	BAUDDIV	Baud Divisor Divisor used by the UART to derive the reception and transmission baud rate from the UART reference clock. This clock is selectable at 14.7456 MHz or 7.3728 MHz by programming PWRCNT:UARTBAUD in the Clock and State Controller (1 = 14.7456 MHz, 0 = 7.3728 MHz). Calculate the divisor based on the required baud rate (BAUD), using the formula: $BAUDDIV = ([UART \text{ reference clock frequency in Hz}] \div (16 \times BAUD)) - 1$. Write this calculated divisor to BAUDDIV to specify the baud rate. The value must be 1 or larger.

Table 16-12. Example Baud Rates and BAUDDIV Values

BAUD (BITS PER SECOND)	BAUDDIV	
	UARTBAUD = 1 (14.7456 MHz)	UARTBAUD = 0 (7.3728 MHz)
2400	0x17F	0xBF
4800	0xBF	0x5F
9600	0x5F	0x2F
19200	0x2F	0x17
28800	0x1F	0x0F
38400	0x17	0x0B
57600	0x0F	0x07
76800	0x0B	0x05
115200	0x07	0x03
153600	0x05	0x02
230400	0x03	0x01
460800	0x01	0x00
INVALID	0x00	N/A

16.2.2.4 Control Register (CONx)

This register, described in Table 16-13 and Table 16-14, contains configuration data for the UART to:

- Enable or disable the UART.
- Select Loopback mode
- Select Infrared mode for UART1 only
- Select non-infrared transmit and receive signal polarities and modem signal polarity.

Table 16-13. CONx Register

BIT	31	30	29	28	27	26	25	24	23	22	21	20	19	18	17	16
FIELD	///															
RESET	0	0	0	0	0	0	0	0	0	0	0	0	0	0	0	0
TYPE	RO	RO	RO	RO	RO	RO	RO	RO	RO	RO	RO	RO	RO	RO	RO	RO
BIT	15	14	13	12	11	10	9	8	7	6	5	4	3	2	1	0
FIELD	///								SIRBD	LBE	MPX	TXP	RXP	SIRLP	SIRD	UARTEN
RESET	0	0	0	0	0	0	0	0	0	0	0	0	0	0	0	0
TYPE	RO	RO	RO	RO	RO	RO	RO	RO	RW	RW	RW	RW	RW	RW	RW	RW
ADDR	UARTBase + 0x0C															

Table 16-14. CONx Fields

BITS	NAME	DESCRIPTION
31:8	///	Reserved Reading returns 0. Values written cannot be read.
7	SIRBD	Serial Infrared Blanking Disable For UART1, enables or disables receiver blanking for infrared operation: 1 = Disables receiver blanking. 0 = Enables receiver blanking. This bit is not applicable to UART2 or UART3.
6	LBE	Loopback Enable Enables or disables Loopback operation: 1 = Enables loopback mode. 0 = Disables loopback mode. When loopback is enabled, the transmit output signal is internally connected to the receiver input signal. For UART1, UARTIRTX1 output is used as the UARTIRRX1 input.
5	MPX	Modem Transfer Polarity Selects the signal polarities for CTS, DCD, and DSR: 1 = Modem signals active HIGH. 0 = Modem signals active LOW.
4	TXP	Transmit Polarity Selects the transmit signal polarities: 1 = UARTTXx active LOW and UARTIRTX1 active HIGH. 0 = UARTTXx active HIGH and UARTIRTX1 active LOW.

Table 16-14. CONx Fields (Cont'd)

BITS	NAME	DESCRIPTION
3	RXP	Receive Polarity Selects the receive signal polarities: 1 = UARTRXx and UARTIRRX1 active LOW. 0 = UARTRXx and UARTIRRX1 active HIGH.
2	SIRLP	Serial Infrared Low Power Enables or disables low power mode for infrared operation (see Section 16.1.2.5): 1 = Enables low power mode. 0 = Disables low power mode.
1	SIRD	Serial Infrared Disable For UART1, enables or disables infrared operation: 1 = Disables infrared operation. 0 = Enables infrared operation. IMPORTANT: To use multiplexed pins for GPIO, this bit and UARTEN must BOTH be programmed to 0. This bit does not apply to UART2 and UART3.
0	UARTEN	UART Enable Enables or disables UART operation: 1 = Enables UART operation. 0 = Disables UART operation. IMPORTANT: To use multiplexed pins for GPIO, this bit and SIRD must BOTH be programmed to 0. Writing to UART registers with the UART disabled causes unpredictable results.

16.2.2.5 Status Register (STATUS)

This register, defined in Table 16-15 and Table 16-16, provides:

- The FIFO full or empty status.
- The shift register and output pin status.
- The Modem Status pin values for UART2 and UART3.

Table 16-15. STATUS Register

BIT	31	30	29	28	27	26	25	24	23	22	21	20	19	18	17	16	
FIELD	///																
RESET	0	0	0	0	0	0	0	0	0	0	0	0	0	0	0	0	
TYPE	RO	RO	RO	RO	RO	RO	RO	RO	RO	RO	RO	RO	RO	RO	RO	RO	
BIT	15	14	13	12	11	10	9	8	7	6	5	4	3	2	1	0	
FIELD	///									TXFE	RXFF	TXFF	RXFE	BUSY	DCD	DSR	CTS
RESET	0	0	0	0	0	0	0	0	0	0	0	0	0	0	0	0	
TYPE	RO	RO	RO	RO	RO	RO	RO	RO	RO	RO	RO	RO	RO	RO	RO	RO	
ADDR	UARTBase + 0x10																

Table 16-16. STATUS Fields

BITS	NAME	DESCRIPTION
31:8	///	Reserved Reading returns 0. Values written cannot be read.
7	TXFE	Transmit FIFO Empty 1 = The transmit FIFO or holding register is empty. 0 = The transmit FIFO or holding register is not empty.
6	RXFF	Receive FIFO Full 1 = The receive FIFO or holding register is full. 0 = The receive FIFO or holding register is not full.
5	TXFF	Transmit FIFO Full 1 = The transmit FIFO or holding register is full. 0 = The transmit FIFO or holding register is not full.
4	RXFE	Receive FIFO Empty 1 = The receive FIFO or holding register is empty. 0 = The receive FIFO or holding register is not empty.
3	BUSY	Busy 1 = Either the transmit FIFO or holding register contains at least one entry, regardless of whether the UART is transmitting, or a frame is still transmitting on the UARTRTX or UARTRTX1 pin, regardless of the transmit FIFO or holding register contents. 0 = The transmit FIFO is not busy. This field does not indicate whether the UART is enabled.
2	DCD	Data Carrier Detect Contains the current value of the UART2 or UART3 Data Carrier Detect Modem Status input pin.
1	DSR	Data Set Ready Contains the current value of the UART2 or UART3 Data Set Ready Modem Status input pin.
0	CTS	Clear to Send Contains the current value of the UART2 or UART3 Clear-to-Send Modem Status input pin.

16.2.2.6 Raw Interrupt Register (RAWISR)

This register, described in Table 16-17 and Table 16-19.

- When read, the status of all UART interrupts, whether enabled and disabled is reported.
- When written to, clears the UART2 or UART3 modem status interrupt. Any write to MSEOI clears MI without changing RTI, TI, or RI.
- RI is cleared when the FIFO is emptied to no more than 7 entries.
- TI is cleared when the FIFO is filled to more than 7 entries.
- RTI is cleared when the FIFO is emptied, or when the receive data line becomes active.

More in-depth discussion of the error interrupts can be found in Table 16-7, the DATA register.

Table 16-17. RAWISR Register, Write

BIT	31	30	29	28	27	26	25	24	23	22	21	20	19	18	17	16
FIELD	MSEOI															
RESET	0	0	0	0	0	0	0	0	0	0	0	0	0	0	0	0
TYPE	WO	WO	WO	WO	WO	WO	WO	WO	WO	WO	WO	WO	WO	WO	WO	WO
BIT	15	14	13	12	11	10	9	8	7	6	5	4	3	2	1	0
FIELD	MSEOI															
RESET	0	0	0	0	0	0	0	0	0	0	0	0	0	0	1	0
TYPE	WO	WO	WO	WO	WO	WO	WO	WO	WO	WO	WO	WO	WO	WO	WO	WO
ADDR	UARTBase + 0x14															

Table 16-18. RAWISR Register, Read

BIT	31	30	29	28	27	26	25	24	23	22	21	20	19	18	17	16	
FIELD	///																
RESET	0	0	0	0	0	0	0	0	0	0	0	0	0	0	0	0	
TYPE	RO	RO	RO	RO	RO	RO	RO	RO	RO	RO	RO	RO	RO	RO	RO	RO	
BIT	15	14	13	12	11	10	9	8	7	6	5	4	3	2	1	0	
FIELD	///									OEI	BEI	PEI	FEI	RTI	MI	TI	RI
RESET	0	0	0	0	0	0	0	0	0	0	0	0	0	0	1	0	
TYPE	RO	RO	RO	RO	RO	RO	RO	RO	RO	RO	RO	RO	RO	RO	RO	RO	
ADDR	UARTBase + 0x14																

Table 16-19. RAWISR Fields

BITS	NAME	DESCRIPTION
31:0 When Written	MSEOI	Modem Status End-of-Interrupt Reading this field returns 0. Write this field to clear the modem status interrupt (MI). Writing any value to this field clears MI and affects no other fields in this register.
31:8 When Read	///	Reserved Reading returns 0. Values written cannot be read.
7	OEI	Overrun Error Interrupt 1 = Overrun Error Interrupt asserted 0 = No interrupt asserted Writing has no effect.
6	BEI	Break Error Interrupt 1 = Break Error Interrupt asserted 0 = No interrupt asserted Writing has no effect.
5	PEI	Parity Error Interrupt 1 = Parity Error Interrupt asserted 0 = No interrupt asserted Writing has no effect.
4	FEI	Frame Error Interrupt 1 = Frame Error Interrupt asserted 0 = No interrupt asserted Writing has no effect.
3	RTI	Receive Timeout Interrupt 1 = Interrupt is asserted. 0 = Interrupt is not asserted. Writing has no effect.
2	MI	Modem Status Interrupt 1 = Interrupt is asserted. 0 = Interrupt is not asserted. Writing has no effect.
1	TI	Transmit Interrupt 1 = Interrupt is asserted. 0 = Interrupt is not asserted. Writing has no effect.
0	RI	Receive Interrupt 1 = Interrupt is asserted. 0 = Interrupt is not asserted. Writing has no effect.

16.2.2.7 Interrupt Enable Register (INTEN)

This register, defined in Table 16-20 and Table 16-21, enables or disables the UART interrupts. Writing to the register enables or disables interrupts, as defined in the table. The enabled or disabled state of any interrupt can be ascertained by reading this register.

Table 16-20. INTEN Register

BIT	31	30	29	28	27	26	25	24	23	22	21	20	19	18	17	16	
FIELD	///																
RESET	0	0	0	0	0	0	0	0	0	0	0	0	0	0	0	0	
TYPE	RO	RO	RO	RO	RO	RO	RO	RO	RO	RO	RO	RO	RO	RO	RO	RO	
BIT	15	14	13	12	11	10	9	8	7	6	5	4	3	2	1	0	
FIELD	///									OEEN	BEEN	PEEN	FEEN	RTEN	MEN	TEN	REN
RESET	0	0	0	0	0	0	0	0	0	0	0	0	0	0	0	0	
TYPE	RO	RO	RO	RO	RO	RO	RO	RO	RW	RW	RW	RW	RW	RW	RW	RW	
ADDR	UARTBase + 0x18																

Table 16-21. INTEN Fields

BITS	NAME	DESCRIPTION
31:8	///	Reserved Reading returns 0. Values written cannot be read.
7	OEEN	Overrun Error Interrupt Enable Enables the overrun error interrupt: 1 = Interrupt enabled. 0 = Interrupt disabled.
6	BEEN	Break Error Interrupt Enable Enables the break error interrupt: 1 = Interrupt enabled. 0 = Interrupt disabled.
5	PEEN	Parity Error Interrupt Enable Enables the parity error interrupt: 1 = Interrupt enabled. 0 = Interrupt disabled.
4	FEEN	Frame Error Interrupt Enable Enables the frame error interrupt: 1 = Interrupt enabled. 0 = Interrupt disabled.
3	RTEN	Receive Timeout Interrupt Enable Enables the receive timeout interrupt: 1 = Interrupt enabled. 0 = Interrupt disabled.
2	MEN	Modem Status Interrupt Enable Enables the modem status interrupt: 1 = Interrupt enabled. 0 = Interrupt disabled.
1	TEN	Transmit Interrupt Enable Enables the transmit interrupt: 1 = Interrupt enabled. 0 = Interrupt disabled.
0	REN	Receive Interrupt Enable Enables the receive interrupt: 1 = Interrupt enabled. 0 = Interrupt disabled.

16.2.2.8 Masked Interrupt Status Register (MISR)

This register reports the individual UART interrupts comprising the combined interrupt sent to the LH7A404 VIC (UARTxINTR) and the subset error interrupt sent to the VIC (UARTxERR). MISR is the logical bitwise-AND of RAWISR and INTEN registers.

Table 16-22. MISR Register

BIT	31	30	29	28	27	26	25	24	23	22	21	20	19	18	17	16	
FIELD	///																
RESET	0	0	0	0	0	0	0	0	0	0	0	0	0	0	0	0	
TYPE	RO	RO	RO	RO	RO	RO	RO	RO	RO	RO	RO	RO	RO	RO	RO	RO	
BIT	15	14	13	12	11	10	9	8	7	6	5	4	3	2	1	0	
FIELD	///									OEIM	BEIM	PEIM	FEIM	RTIM	MIM	TIM	RIM
RESET	0	0	0	0	0	0	0	0	0	0	0	0	0	0	0	0	
TYPE	RO	RO	RO	RO	RO	RO	RO	RO	RO	RO	RO	RO	RO	RO	RO	RO	
ADDR	UARTBase + 0x1C																

Table 16-23. MISR Fields

BITS	NAME	DESCRIPTION
31:8	///	Reserved Reading returns 0. Values written cannot be read.
7	OEIM	Masked Overrun Error Interrupt 1 = The interrupt is enabled and asserted. 0 = The interrupt is disabled or not asserted.
6	BEIM	Masked Break Error Interrupt 1 = The interrupt is enabled and asserted. 0 = The interrupt is disabled or not asserted.
5	PEIM	Masked Parity Error Interrupt 1 = The interrupt is enabled and asserted. 0 = The interrupt is disabled or not asserted.
4	FEIM	Masked Frame Error Interrupt 1 = The interrupt is enabled and asserted. 0 = The interrupt is disabled or not asserted.
3	RTIM	Masked Receive Timeout Interrupt 1 = The interrupt is enabled and asserted. 0 = The interrupt is disabled or not asserted.
2	MIM	Masked Modem Status Interrupt 1 = The interrupt is enabled and asserted. 0 = The interrupt is disabled or not asserted.
1	TIM	Masked Transmit Interrupt 1 = The interrupt is enabled and asserted. 0 = The interrupt is disabled or not asserted.
0	RIM	Masked Receive Interrupt 1 = The interrupt is enabled and asserted. 0 = The interrupt is disabled or not asserted.

16.2.2.9 Read Error Status and Clear Register (RES)

This register contains the latched values of the error interrupt bits. Immediately following transfer of data from the Read FIFO to the DATA register, the error bits are latched into this register, triggering the UARTxERR interrupt (if enabled). The individual error condition causing the interrupt can be read from this register. Writing any value to this register clears the error bits in this register, but does not clear the interrupt (see the EIC register).

Table 16-24. RES Register

BIT	31	30	29	28	27	26	25	24	23	22	21	20	19	18	17	16
FIELD	///															
RESET	0	0	0	0	0	0	0	0	0	0	0	0	0	0	0	0
TYPE	RW	RW	RW	RW	RW	RW	RW	RW	RW	RW	RW	RW	RW	RW	RW	RW
BIT	15	14	13	12	11	10	9	8	7	6	5	4	3	2	1	0
FIELD	///												BE	OE	PE	FE
RESET	0	0	0	0	0	0	0	0	0	0	0	0	0	0	0	0
TYPE	RW	RW	RW	RW	RW	RW	RW	RW	RW	RW	RW	RW	RW	RW	RW	RW
ADDR	UARTBase + 0x20															

Table 16-25. RES Fields

BITS	NAME	DESCRIPTION
31:4	///	Reserved Reading returns 0. Values written cannot be read.
3	BE	Break Error 1 = A break error condition occurred 0 = No break error
2	OE	Overrun Error 1 = An overrun error occurred 0 = No overrun
1	PE	Parity Error 1 = A parity error occurred 0 = No parity error
0	FE	Frame Error 1 = A frame error occurred 0 = No frame error

16.2.2.10 Error Interrupt Clear Register (EIC)

Writing a 1 to any error bit in this register clears an asserted error interrupt. Each of the four error interrupts may be individually and independently cleared. Writing a 0 has no effect, and a read returns all 0s.

Table 16-26. EIC Register

BIT	31	30	29	28	27	26	25	24	23	22	21	20	19	18	17	16
FIELD	///															
RESET	0	0	0	0	0	0	0	0	0	0	0	0	0	0	0	0
TYPE	RO	RO	RO	RO	RO	RO	RO	RO	RO	RO	RO	RO	RO	RO	RO	RO
BIT	15	14	13	12	11	10	9	8	7	6	5	4	3	2	1	0
FIELD	///												OEIC	BEIC	PEIC	FEIC
RESET	0	0	0	0	0	0	0	0	0	0	0	0	0	0	0	0
TYPE	RO	RO	RO	RO	RO	RO	RO	RO	RO	RO	RO	RO	RO	WO	WO	WO
ADDR	UARTBase + 0x24															

Table 16-27. EIC Fields

BITS	NAME	DESCRIPTION
31:4	///	Reserved Reading returns 0. Values written cannot be read.
3	OEIC	Masked Overrun Error Interrupt Clear 1 = Clear the Overrun Error Interrupt 0 = No effect
2	BEIC	Masked Break Error Interrupt Clear 1 = Clear the Break Error Interrupt 0 = No effect
1	PEIC	Masked Parity Error Interrupt Clear 1 = Clear the Parity Error Interrupt 0 = No effect
0	FEIC	Masked Frame Error Interrupt Clear 1 = Clear the Frame Error Interrupt 0 = No effect

16.2.2.11 DMA Control Register (DMACR)

This register is used to control DMA transfers to and from the UARTs.

Table 16-28. DMACR Register

BIT	31	30	29	28	27	26	25	24	23	22	21	20	19	18	17	16
FIELD	///															
RESET	0	0	0	0	0	0	0	0	0	0	0	0	0	0	0	0
TYPE	RO	RO	RO	RO	RO	RO	RO	RO	RO	RO	RO	RO	RO	RO	RO	RO
BIT	15	14	13	12	11	10	9	8	7	6	5	4	3	2	1	0
FIELD	///													DE	TDE	RDE
RESET	0	0	0	0	0	0	0	0	0	0	0	0	0	0	0	0
TYPE	RO	RO	RO	RO	RO	RO	RO	RO	RO	RO	RO	RO	RO	RW	RW	RW
ADDR	UARTBase + 0x28															

Table 16-29. DMACR Fields

BITS	NAME	DESCRIPTION
31:3	///	Reserved Reading returns 0. Values written cannot be read.
2	DE	DMA On Error This bit allows disabling the DMA when a UART receive error occurs. 1 = Disable the DMA Request output if a UART Error Interrupt is asserted. 0 = DMA Request output is not disabled if a UART Error Interrupt is asserted.
1	TDE	Transmit DMA Enable 1 = DMA for the transmit direction is enabled. 0 = DMA for the transmit direction is disabled.
0	RDE	Receive DMA Enable 1 = DMA for the receive direction is enabled. 0 = DMA for the receive direction is disabled.

Chapter 17

GPIO and External Interrupts

17.1 Theory of Operation

The LH7A404 provides up to 64 General Purpose Input/Output (GPIO) ports. Each GPIO port can be configured as either an input or output. Also included as part of the GPIO interface are the eight dedicated keyboard column drives, COL[7:0].

All GPIO ports are multiplexed with other onboard functions. As such, the number of available GPIO channels depends on what other functions the application design requires. Table 17-1 lists the LH7A404 functions that multiplex with GPIO pins. Designs using a particular function cannot use those pins as GPIO. Further details on multiplexing appear in 'Pin and Signal Multiplexing.' For usage of the pin with the particular function, consult the chapter regarding that function.

Table 17-1. GPIO Multiplexing by Function

FUNCTION	GPIO PORTS
AC97	H6
BMI	B[7:6]
External Interrupts	F[7:0]
CLCDC	A[1:0], D[7:0], and E[3:0]
PCMCIA and CompactFlash (CF) PC Cards	F[7:6], G[7:0], H7, and H[5:0]
Smart Card Interface (SCI)	F5
Universal Asynchronous Receivers and Transmitters (UART1 and UART3)	B[5:0] and C0

17.1.1 GPIO Nomenclature

For discussions applying to all Ports A through H equally, this chapter refers to the Ports collectively or generically as 'Py'. For discussions referring to all signals in a Port, this chapter refers to the Port number collectively or generically as x; for example, 'PFx' refers to any or all of PF[7:0]. 'Pyx' refers to any or all GPIO ports.

17.1.2 GPIO Port Usage

Any GPIO pin not configured for use as one of the functions listed in Table 17-1 may be used for GPIO. GPIO pins are individually addressed as separate I/O channels, and a given port may have some pins configured as inputs and others configured as outputs. Since the pins are individually addressed, pins on a port that are not multiplexed with an implemented function (shown in Table 17-1) may be used for GPIO. For example, if the BMI function is implemented, pins [5:0] on Port B may be used for GPIO since only PB[7:6] are used for the BMI.

All GPIO ports have eight I/O pins. Port F implements external interrupts, described in Section 17.1.3.

17.1.2.1 Programming GPIO Pins

Upon Reset, the GPIO ports are configured as shown in Table 17-2.

Each pin must be properly set as an input or output prior to its first use by the application. To reconfigure one or more port pins from the reset configuration software must program the pin as an input or output. This configuration is specified in the particular port's Data Direction register (PyDD), described in Section 17.2.2.3.

Table 17-2. GPIO Port Configuration after Reset

PORT	RESET CONFIGURATION
A[7:0]	Input
B[7:0]	Input
C[7:0]	Output
D[7:0]	Output
E[7:0]	Output
F[7:0]	Input
G[7:0]	Output
H[7:0]	Input

17.1.2.2 Input/Output Data

GPIO port data is read or written using the particular port's Data register (PyD). Input data is acquired by software reading the contents of PyD. Bit values read for pins configured as outputs show the current state of that output pin. Output data is sent by software writing the bits in PyD corresponding to output pins. Writing a value to a bit set up as an input has no effect on that input value.

17.1.3 Port F External Interrupts

In addition to GPIO, Port F pins can also be used for external interrupt signals. To use a Port F pin for an external interrupt, it must be configured as an input by software writing to the Port F Data Direction register (PFDD). Then, software configures each interrupt pin for triggering, and if required, debounce condition.

After Reset, Port F is configured as GPIO.

Table 17-3 shows the correspondence between external interrupts, interrupt name, and the bit positions in the Vectored Interrupt Controller (VIC). Since the VIC arbitrates by priority, the system design should take into account the interrupt priorities when assigning external interrupts to particular Port F interrupts. Consult the VIC chapter for more information.

Table 17-3. External Interrupt and Interrupt Controller Correspondence

PFx REGISTER BIT POSITION	VIC INTERRUPT PRIORITY	INTERRUPT SIGNAL NAME
7	50	GPIO7INTR
6	49	GPIO6INTR
5	48	GPIO5INTR
4	47	GPIO4INTR
3	22	GPIO3INTR
2	21	GPIO2INTR
1	20	GPIO1INTR
0	19	GPIO0INTR

17.1.3.1 Configuring the Interrupts

The VIC responds to active HIGH levels. However, external interrupts on GPIO Port F can be configured to translate rising- or falling-edge triggers, or active LOW or HIGH levels for presentation to the Interrupt Controller as active HIGH levels. Figure 17-1 shows a block diagram of external interrupt configuration.

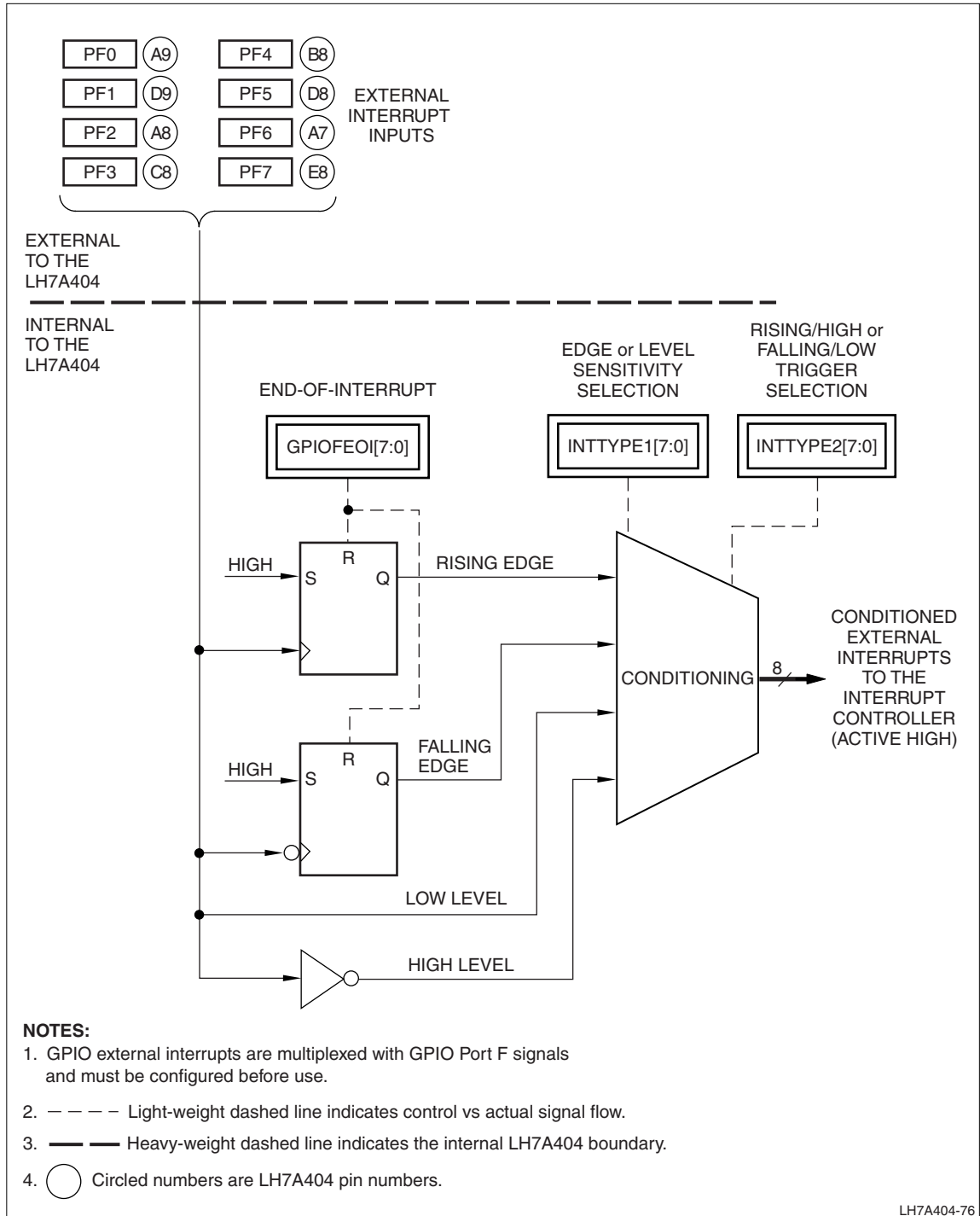


Figure 17-1. External Interrupt Configuration

Software should configure interrupts in the order specified below to avoid generating spurious interrupts and to avoid interrupts being incorrectly enabled in an asserted state:

1. Disable the interrupts to be configured in the GPIO Interrupt Enable register (GPIOINTEN). See Section 17.2.2.9.
2. Select trigger type by programming the Interrupt Edge or Level Type register (INTTYPE1) and the Interrupt HIGH/Rising or LOW/Falling Type register (INTTYPE2). See Section 17.2.2.6 and Section 17.2.2.7.
3. For edge triggering, enable debounce conditioning by programming the GPIO Debounce register (GPIODB). See Section 17.2.2.12.
4. Program the pin as an Input in the Port F Data Direction register (PFDD). See Section 17.2.2.3.
5. Clear the corresponding bits in the GPIO F End of Interrupt register (GPIOFEOI). See Section 17.2.2.8.
6. Enable the conditioned interrupts in GPIOINTEN. Section 17.2.2.9.

To select edge sensitivity for an interrupt, set the corresponding INTTYPE1 bit. To select level sensitivity, clear the bit. To select rising or active-HIGH triggering for an interrupt, set the corresponding INTTYPE2 bit. To select falling or active-LOW triggering, clear the bit.

For example, programming INTTYPE1[0] to 1 configures INT0 on PF0 as edge sensitive (either rising or falling). With INTTYPE1[0] set to 1, programming INTTYPE2[0] to 1 configures INT0 as rising edge sensitive. (See Table 17-24 and Table 17-26 for details)

Edge-triggered interrupts can produce spurious interrupts due to signal 'bounce.' To avoid spurious interrupts, debounce all edge triggered pins. Set the corresponding bit in the GPIODB debounce register. Clearing a bit removes the debounce conditioning from the corresponding pin.

After reset, no PFX pins are debounced. Reset configures the external interrupts as active-LOW and level-sensitive; however external interrupts are disabled after reset.

17.1.3.2 Enabling and Clearing Interrupts

To enable PFX as an interrupt, set the corresponding bit in the GPIOINTEN. To disable the interrupt, clear that bit. To determine whether an interrupt is enabled, software can read GPIOINTEN.

Asserted interrupts appear in the Raw Interrupt Status register (RAWINTSTATUS), whether or not they are enabled. Enabled and asserted interrupts appear in the Interrupt Status register (INTSTATUS). The INTSTATUS contents are a logical bit-wise AND of RAWINTSTATUS with GPIOINTEN.

The least significant eight bits of each PFX register correspond to the PFX signals and to bits in the LH7A404 VIC interrupt status registers. Interrupts INT[3:0] are assigned to VIC1; INT[7:4] are assigned to VIC2, as shown in Table 17-4.

To clear a PFX interrupt, clear the corresponding INTSTATUS bit:

- For edge sensitive interrupts, setting a bit in the GPIO End-of-Interrupt register (GPIOFEOL) clears the corresponding bit in INTSTATUS.
- For level sensitive interrupts, deasserting the input signal clears the corresponding INTSTATUS bit.

Table 17-4. GPIO Port F Pin Names, Numbers, and Register Bit Positions

PFX REGISTER BIT POSITION	VIC ASSIGNMENT AND BIT POSITION	PFX SIGNAL NAME	INTERRUPT SIGNAL NAME	PIN NUMBER
7	VIC2, bit 18	PF7	INT7	E8
6	VIC2, bit 17	PF6	INT6	A7
5	VIC2, bit 16	PF5	INT5	D8
4	VIC2, bit 15	PF4	INT4	B8
3	VIC1, bit 22	PF3	INT3	C8
2	VIC1, bit 21	PF2	INT2	A8
1	VIC1, bit 20	PF1	INT1	D9
0	VIC1, bit 19	PF0	INT0	A9

17.1.3.2.1 Timing Considerations when Clearing Level-Sensitive Interrupts

When external interrupts are configured as level-sensitive, the interrupt service routine must ensure that there is sufficient time delay between clearing the source of the external interrupt and clearing the interrupt at the Interrupt Controller. Specifically, the source of the external interrupt must have pulled the line HIGH (or LOW, depending on whether the external interrupt input pin is configured as active HIGH or active LOW) before the interrupt is cleared at the Interrupt Controller, because the Interrupt Controller will sample the line immediately following the clear and will generate an interrupt again to the ARM core if the line is recognized to be still active.

When an interrupt line is shared by multiple open-collector devices in a wired-OR configuration with a pull-up resistor, the line can be especially susceptible to causing multiple interrupts if there is insufficient delay between clearing the source of the external interrupt and clearing the interrupt at the Interrupt Controller. This is due to the relatively slow rise-time of the interrupt signal when being pulled to its inactive state by the pull-up resistor. The larger the resistor and load capacitance on the interrupt line, the slower the rise-time and hence more is the delay required.

In general, it is good practice to clear the source of the interrupt as early as practical in the interrupt service routine when configuring external interrupts as level-sensitive. This will ensure a maximum delay between clearing the external interrupt and clearing the interrupt at the Interrupt Controller.

17.2 Register Reference

17.2.1 Memory Map

The GPIO register base address is 0x8000.0E00. Addresses in Table 17-5 are offset from this base address.

Each port has three registers; two for data and one for direction (Input/Output):

- For content, a Data register (PyDx) and a Pin Data register (PyPDx) show the individual pin states. The PyDx contents differ from the PyPDx contents according to the configured operations:
 - PyDx reads the state of the GPIO pin or the programmed value of the pin if not configured as GPIO, and writes values only on the pins configured for GPIO.
 - PyPDx reads values on all Pyx pins, whether configured for GPIO or for another operation, and writes values on no pins.
- For direction, a Data Direction register (PyDDx) configures individual pins for input or output.

Table 17-5. GPIO Register Memory Map

ADDRESS OFFSET	NAME	FUNCTION
0x00	PAD	Port A Data Register
0x04	PBD	Port B Data Register
0x08	PCD	Port C Data Register
0x0C	PDD	Port D Data Register
0x10	PADD	Port A Data Direction Register
0x14	PBDD	Port B Data Direction Register
0x18	PCDD	Port C Data Direction Register
0x1C	PDDD	Port D Data Direction Register
0x20	PED	Port E Data Register
0x24	PEDD	Port E Data Direction Register
0x28	KBDCTL	Keyboard Control Register Sets the COLx pins LOW, HIGH, or high-impedance.
0x2C	PINMUX	Pin Multiplexing Register Port D and E multiplexing for LCD, AC97 Codec, UART3 and Memory Controllers. See also Chapter 8.
0x30	PFD	Port F Data Register
0x34	PFDD	Port F Data Direction Register To use a PFx pin as an External Interrupt, select the data direction as Input. No interrupt can appear on a pin configured as an Output.
0x38	PGD	Port G Data Register
0x3C	PGDD	Port G Data Direction Register
0x40	PHD	Port H Data Register
0x44	PHDD	Port H Data Direction Register
0x48	///	Reserved Do not access this location.
0x4C	INTTYPE1	Interrupt Type 1 Selects edge or level sensitivity for GPIO Port F External Interrupts.
0x50	INTTYPE2	Interrupt Type 2 Selects the following for PFx External Interrupts: <ul style="list-style-type: none"> • Rising or falling edge when INTTYPE1 specifies edge sensitivity. • HIGH or LOW level when INTTYPE1 specifies level sensitivity.
0x54	GPIOFEOI	GPIO Port F End-of-Interrupt Clears PFx External Interrupts configured as edge sensitive by INTTYPE1.
0x58	GPIOINTEN	GPIO Interrupt Enable Selects PFx pins for use as External Interrupts or as GPIO.
0x5C	INTSTATUS	Interrupt Status Reports asserted External Interrupts on PFx pins enabled as interrupts by GPIOINTEN.
0x60	RAWINTSTATUS	Raw Interrupt Status Shows asserted External Interrupts on PFx pins configured as inputs by PFDD.
0x64	GPIODB	GPIO Debounce Debounces PFx Interrupt pins.
0x68	PAPD	Port A Pin Data Register
0x6C	PBPD	Port B Pin Data Register
0x70	PCPD	Port C Pin Data Register
0x74	PDPD	Port D Pin Data Register
0x78	PEPD	Port E Pin Data Register
0x7C	PFPD	Port F Pin Data Register
0x80	PGPD	Port G Pin Data Register
0x84	PHPD	Port H Pin Data Register

17.2.2 Register Descriptions

17.2.2.1 GPIO Data Registers (PyD)

For non-multiplexed GPIO pins and for multiplexed GPIO pins configured for GPIO operation, the data registers, described in Table 17-6 and Table 17-7, contain:

- Bit values read from GPIO input pins. Read these registers to determine the pin states.
- Bit values to be written only to GPIO output pins. Write to these registers to output data signals on the pins.

For multiplexed GPIO pins configured for functions other than GPIO, reading a data register returns a value specified by the configured operation. Writing a data register affects only the pins configured for GPIO operation.

All Ports are 8-bit ports with 8-bit Data registers.

Table 17-6. P[A:H]D

BIT	31	30	29	28	27	26	25	24	23	22	21	20	19	18	17	16
FIELD	///															
RESET	0	0	0	0	0	0	0	0	0	0	0	0	0	0	0	0
TYPE	RO	RO	RO	RO	RO	RO	RO	RO	RO	RO	RO	RO	RO	RO	RO	RO
BIT	15	14	13	12	11	10	9	8	7	6	5	4	3	2	1	0
FIELD	///								Py7	Py6	Py5	Py4	Py3	Py2	Py1	Py0
RESET	0	0	0	0	0	0	0	0	0	0	0	0	0	0	0	0
TYPE	RO	RO	RO	RO	RO	RO	RO	RO	RW	RW	RW	RW	RW	RW	RW	RW
ADDR	0x8000.0E00 for PAX 0x8000.0E04 for PBx 0x8000.0E08 for PCx 0x8000.0E0C for PDx 0x8000.0E20 for PEx 0x8000.0E30 for PFx 0x8000.0E38 for PGx 0x8000.0E40 for PHx															

Table 17-7. P[A:H]D

BITS	NAME	DESCRIPTION
31:8	///	Reserved Reading returns 0. Values written cannot be read.
7	Py7	Py7 Data bit 7 for Port y.
6	Py6	Py6 Data bit 6 for Port y.
5	Py5	Py5 Data bit 5 for Port y.
4	Py4	Py4 Data bit 4 for Port y.
3	Py3	Py3 Data bit 3 for Port y.
2	Py2	Py2 Data bit 2 for Port y.
1	Py1	Py1 Data bit 1 for Port y.
0	Py0	Py0 Data bit 0 for Port y.

17.2.2.2 GPIO Pin Data Registers (PyPD)

These registers, described in Table 17-8 and Table 17-9, contain bit values read from the port pins. The difference between the Data registers and these Pin Data registers is that this register is Read Only. The Data registers allow outputs to be written to the GPIO-configured bits.

Read these registers to observe the pin states for all pins. Writing to these registers has no effect. All Ports are 8-bit ports with 8-bit Pin Data registers.

Table 17-8. P[A:H]PD

BIT	31	30	29	28	27	26	25	24	23	22	21	20	19	18	17	16
FIELD	///															
RESET	0	0	0	0	0	0	0	0	0	0	0	0	0	0	0	0
TYPE	RO	RO	RO	RO	RO	RO	RO	RO	RO	RO	RO	RO	RO	RO	RO	RO
BIT	15	14	13	12	11	10	9	8	7	6	5	4	3	2	1	0
FIELD	///								Py7	Py6	Py5	Py4	Py3	Py2	Py1	Py0
RESET	0	0	0	0	0	0	0	0	0	0	0	0	0	0	0	0
TYPE	RO	RO	RO	RO	RO	RO	RO	RO	RO	RO	RO	RO	RO	RO	RO	RO
ADDR	0x8000.0E68 for PAX 0x8000.0E6C for PBx 0x8000.0E70 for PCx 0x8000.0E74 for PDx 0x8000.0E78 for PEx 0x8000.0E7C for PFx 0x8000.0E80 for PGx 0x8000.0E84 for PHx															

Table 17-9. P[A:H]PD

BITS	NAME	DESCRIPTION
31:8	///	Reserved Reading returns 0. Values written cannot be read.
7	Py7	Py7 Pin Data bit 7 for Port y.
6	Py6	Py6 Pin Data bit 6 for Port y.
5	Py5	Py5 Pin Data bit 5 for Port y.
4	Py4	Py4 Pin Data bit 4 for Port y.
3	Py3	Py3 Pin Data bit 3 for Port y.
2	Py2	Py2 Pin Data bit 2 for Port y.
1	Py1	Py1 Pin Data bit 1 for Port y.
0	Py0	Py0 Pin Data bit 0 for Port y.

17.2.2.3 GPIO Data Direction Registers (PyDD)

These registers, described in Table 17-11 and Table 17-12, select input or output operation for each pin. For ports C, D, and G, programming a data direction bit to 1 configures the corresponding pin as an input. For ports A, B, E, F, and H, programming a data direction bit to 1 configures the pin as an output. Table 17-10 shows how setting a data direction bit affects the pins for each port.

Each data direction bit for each port may be independently programmed to be an input or an output.

Reset clears all Data Direction registers but PEDD to 0x0000, disabling the output drivers for ports A, B, F, and H, and enables the output drivers for ports C, D, and G. Port E Data Direction Register resets to 0xFFFF, enabling the output drivers.

The current direction setting for a pin can be ascertained by reading the corresponding direction register bit.

All Ports are 8-bit ports with 8-bit Data Direction registers. Because the port direction with PyDD set to 1 differs between Ports, Table 17-12 shows the values of the bits in Table 17-11 for Ports A, B, F, and H, and Table 17-13 shows the values of the bits in Table 17-11 for Ports C, D, and G. Port E is defined in Table 17-14 and Table 17-15.

Table 17-10. GPIO Pin Data Directions

PORT	REGISTER	DIRECTION WHEN PyDDx IS SET TO 1
A[7:0]	PADD[7:0]	Output
B[7:0]	PBDD[7:0]	Output
C[7:0]	PCDD[7:0]	Input
D[7:0]	PDDD[7:0]	Input
E[7:0]	PEDD[7:0]	Output
F[7:0]	PFDD[7:0]	Output
G[7:0]	PGDD[7:0]	Input
H[7:0]	PHDD[7:0]	Output

Table 17-11. P[A:H]DD Registers (except for PEDD)

BIT	31	30	29	28	27	26	25	24	23	22	21	20	19	18	17	16	
FIELD	///																
RESET	0	0	0	0	0	0	0	0	0	0	0	0	0	0	0	0	
TYPE	RO	RO	RO	RO	RO	RO	RO	RO	RO	RO	RO	RO	RO	RO	RO	RO	
BIT	15	14	13	12	11	10	9	8	7	6	5	4	3	2	1	0	
FIELD	///									Py7DIR	Py6DIR	Py5DIR	Py4DIR	Py3DIR	Py2DIR	Py1DIR	Py0DIR
RESET	0	0	0	0	0	0	0	0	0	0	0	0	0	0	0	0	
TYPE	RO	RO	RO	RO	RO	RO	RO	RO	RW	RW	RW	RW	RW	RW	RW	RW	
ADDR	0x8000.0E10 for PAX 0x8000.0E14 for PBx 0x8000.0E18 for PCx 0x8000.0E1C for PDx 0x8000.0E34 for PFX 0x8000.0E3C for PGx 0x8000.0E44 for PHx																

Table 17-12. PyDD Fields for Ports A, B, F, and H

BITS	NAME	DESCRIPTION
31:8	///	Reserved Reading returns 0. Values written cannot be read.
7	Py7DIR	Py7DIR 1 = Output 0 = Input
6	Py6DIR	Py6DIR 1 = Output 0 = Input
5	Py5DIR	Py5DIR 1 = Output 0 = Input
4	Py4DIR	Py4DIR 1 = Output 0 = Input
3	Py3DIR	Py3DIR 1 = Output 0 = Input
2	Py2DIR	Py2DIR 1 = Output 0 = Input
1	Py1DIR	Py1DIR 1 = Output 0 = Input
0	Py0DIR	Py0DIR 1 = Output 0 = Input

Table 17-13. PyDD Fields for Ports C, D, and G

BITS	NAME	DESCRIPTION
31:8	///	Reserved Reading returns 0. Values written cannot be read.
7	Py7DIR	Py7DIR 1 = Input 0 = Output
6	Py6DIR	Py6DIR 1 = Input 0 = Output
5	Py5DIR	Py5DIR 1 = Input 0 = Output
4	Py4DIR	Py4DIR 1 = Input 0 = Output
3	Py3DIR	Py3DIR 1 = Input 0 = Output
2	Py2DIR	Py2DIR 1 = Input 0 = Output
1	Py1DIR	Py1DIR 1 = Input 0 = Output
0	Py0DIR	Py0DIR 1 = Input 0 = Output

Table 17-14. PEDD Register

BIT	31	30	29	28	27	26	25	24	23	22	21	20	19	18	17	16	
FIELD	///																
RESET	1	1	1	1	1	1	1	1	1	1	1	1	1	1	1	1	
TYPE	RO	RO	RO	RO	RO	RO	RO	RO	RO	RO	RO	RO	RO	RO	RO	RO	
BIT	15	14	13	12	11	10	9	8	7	6	5	4	3	2	1	0	
FIELD	///									PE7DIR	PE6DIR	PE5DIR	PE4DIR	PE3DIR	PE2DIR	PE1DIR	PE0DIR
RESET	1	1	1	1	1	1	1	1	1	1	1	1	1	1	1	1	
TYPE	RO	RO	RO	RO	RO	RO	RO	RO	RW	RW	RW	RW	RW	RW	RW	RW	
ADDR	0x8000.0E24																

Table 17-15. PEDD Fields

BITS	NAME	DESCRIPTION
31:8	///	Reserved Reading returns 0. Write the reset value.
7	PE7DIR	PE7DIR 1 = Output 0 = Input
6	PE6DIR	PE6DIR 1 = Output 0 = Input
5	PE5DIR	PE5DIR 1 = Output 0 = Input
4	PE4DIR	PE4DIR 1 = Output 0 = Input
3	PE3DIR	PE3DIR 1 = Output 0 = Input
2	PE2DIR	PE2DIR 1 = Output 0 = Input
1	PE1DIR	PE1DIR 1 = Output 0 = Input
0	PE0DIR	PE0DIR 1 = Output 0 = Input

17.2.2.4 GPIO Keyboard Control Register (KBDCTL)

This register, described in Table 17-16 through Table 17-18, defines the state of the keyboard column drivers.

Table 17-16. KBDCTL Register

BIT	31	30	29	28	27	26	25	24	23	22	21	20	19	18	17	16
FIELD	///															
RESET	0	0	0	0	0	0	0	0	0	0	0	0	0	0	0	0
TYPE	RO	RO	RO	RO	RO	RO	RO	RO	RO	RO	RO	RO	RO	RO	RO	RO
BIT	15	14	13	12	11	10	9	8	7	6	5	4	3	2	1	0
FIELD	///												CSTATE			
RESET	0	0	0	0	0	0	0	0	0	0	0	0	0	0	0	0
TYPE	RO	RO	RO	RO	RO	RO	RO	RO	RO	RO	RO	RO	RW	RW	RW	RW
ADDR	0x8000.0E28															

Table 17-17. KBDCTL Fields

BITS	NAME	DESCRIPTION
31:4	///	Reserved Reading this field returns 0. Values written to this field cannot be read back.
3:0	CSTATE	Column State Program this register to specify the COLx output.

Table 17-18. CSTATE VALUES

CSTATE	COLx OUTPUT
0x0	COLx driven HIGH
0x1	COLx driven LOW
0x2 through 0x7	COLx High-Z
0x8	COL0 only driven HIGH; all others High-Z
0x9	COL1 only driven HIGH; all others High-Z
0xA	COL2 only driven HIGH; all others High-Z
0xB	COL3 only driven HIGH; all others High-Z
0xC	COL4 only driven HIGH; all others High-Z
0xD	COL5 only driven HIGH; all others High-Z
0xE	COL6 only driven HIGH; all others High-Z
0xF	COL7 only driven HIGH; all others High-Z

17.2.2.5 GPIO Pin Multiplexing Register (PINMUX)

This register, described in Table 17-21 and Table 17-22, controls multiplexing for GPIO PBx, PDx, PEx, and PHx, and for several pins unrelated to GPIO operations. Table 17-19 shows the Port and function multiplexed pin correspondence that is controlled by PINMUX.

The UART1 and UART3 data signals and the UART3 modem status signals are multiplexed with GPIO Ports B[5:0] and C0, as shown in Table 17-20.

Table 17-19. PINMUX Multiplexing Control

PIN	GPIO	UART3	CLCD	AC97	SMC
N5	Port B5	UARTDSR3			
R3	Port B4	UARTDCD3			
P1	Port B3	UARTCTS3			
P2	Port B2	UARTRX3			
P3	Port B1	UARTTRX3			
Y12	Port D7		LCDVD15		
V12	Port D6		LCDVD14		
U11	Port D5		LCDVD13		
W11	Port D4		LCDVD12		
V11	Port D3		LCDVD11		
W12	Port D2		LCDVD10		
U10	Port D1		LCDVD9		
Y11	Port D0		LCDVD8		
T9	Port E3		LCDVD7		
V10	Port E2		LCDVD6		
W10	Port E1		LCDVD5		
Y9	Port E0		LCDVD4		
V7	Port H6			AC97RESET	

Table 17-20. UART Multiplexing

PIN	UART	GPIO
N4	UARTRX1	Port B0
P3	UARTTX3	Port B1
P2	UARTRX3	Port B2
P1	UARTCTS3	Port B3
R3	UARTDCD3	Port B4
N5	UARTDSR3	Port B5
P4	UARTTX1	Port C0

To configure the pins for UART3 data and modem status signals:

- Set the UART3 Control register UART Enable field (UARTCON3:UARTEN) to enable UART3 operation.
- Set the PINMUX register UART3 Configuration field (PINMUX:UART3CON).

Configure the pins for UART1 data signals by setting the UART1 Control register UART Enable field (UARTCON1:UARTEN). Enabling UART1 infrared operation does not reconfigure pins N4 and P4 as GPIO Ports. During infrared operation, UART1 continuously asserts UARTRX1 (pin P4) and ignores input on UARTRX1 (pin N4).

Enabling a UART selects the corresponding pins for UART use. Disabling the UART configures the corresponding pins for GPIO use.

Table 17-21. PINMUX Register

BIT	31	30	29	28	27	26	25	24	23	22	21	20	19	18	17	16
FIELD	///															
RESET	0	0	0	0	0	0	0	0	0	0	0	0	0	0	0	0
TYPE	RO	RO	RO	RO	RO	RO	RO	RO	RO	RO	RO	RO	RO	RO	RO	RO
BIT	15	14	13	12	11	10	9	8	7	6	5	4	3	2	1	0
FIELD	///												UART3CON	CODECON	PDOCON	PEOCON
RESET	0	0	0	0	0	0	0	0	0	0	0	0	0	0	0	0
TYPE	RO	RO	RO	RO	RO	RO	RO	RO	RO	RO	RO	RO	RW	RW	RW	RW
ADDR	0x8000.0E2C															

Table 17-22. PINMUX Fields

BITS	NAME	DESCRIPTION
31:4	///	Reserved Reading returns 0. Values written cannot be read.
3	UART3CON	UART3 Control Selects the GPIO Port B multiplexing: 1 = UART3 uses these pins: Data Set Ready (DSR) on N5, Data Carrier Detect (DCD) on R3, Clear-to-Send (CTS) on P1, Receive Data on P2, Transmit Data on P3. 0 = Port B[5:1] uses pins N5, R3, P1, P2, and P3, respectively.
2	CODECON	Codec Control Selects the AC97 codec multiplexing: 1 = ACI uses pins: Bit Clock (ACBTCLK) on C7, Output Data (ACOUT) on B7, Synchronize (ACSYNC) on A6, Input Data (ACIN) on B6. 0 = AC97 uses pins: Bit Clock (ACBTCLK) on C7, Output Data (ACOUT) on B7, Synchronize (ACSYNC) on A6, Input Data (ACIN) on B6, Reset (AC97RESET) on V7. This selection affects GPIO Port H6 (pin V7): • When AC97 is disabled or CODECON = 1, pin V7 is GPIO port H6. • When AC97 is enabled and CODECON = 0, pin V7 is AC97RESET.
1	PDOCON	PD Output Control Selects the Port D output multiplexing: 1 = LCDVD[15:8] on pins Y12, V12, U11, W11, V11, W12, U10, and Y11 0 = GPIO port D[7:0] on pins Y12, V12, U11, W11, V11, W12, U10, and Y11
0	PEOCON	Port E Output Control Selects the Port E output multiplexing: 1 = LCDVD[7:4] on pins T9, V10, W10, and Y9 0 = GPIO port E[3:0] on pins T9, V10, W10, and Y9

17.2.2.6 Interrupt Type 1 Register (INTTYPE1)

This register, described in Table 17-23 and Table 17-24, configures each PFx interrupt as edge or level sensitive. An edge-sensitive interrupt is asserted by a rising or falling edge on the input signal and remains asserted until either:

- The interrupt is deasserted in the PFx Raw Interrupt Status register (RAWINTSTATUS) via the PFx End-of-Interrupt register (GPIOFEOI).
- The interrupt is deasserted in the PFx Interrupt Status register (INTSTATUS) via the PFx Interrupt Enable register (GPIOINTEN). Disabled interrupts remain asserted in RAWINTSTATUS.

A level-sensitive interrupt is asserted by a HIGH or LOW level on the input signal and remains asserted until either:

- The input signal level changes
- The interrupt is deasserted in INTSTATUS via GPIOINTEN. Disabled interrupts remain asserted in RAWINTSTATUS.

The HIGH level or rising edge vs LOW level or falling edge trigger is selected by the PFx Interrupt Type 2 register (INTTYPE2) described in Section 17.2.2.8.

Table 17-23. INTTYPE1

BIT	31	30	29	28	27	26	25	24	23	22	21	20	19	18	17	16	
FIELD	///																
RESET	0	0	0	0	0	0	0	0	0	0	0	0	0	0	0	0	
TYPE	RO	RO	RO	RO	RO	RO	RO	RO	RO	RO	RO	RO	RO	RO	RO	RO	
BIT	15	14	13	12	11	10	9	8	7	6	5	4	3	2	1	0	
FIELD	///									F7	F6	F5	F4	F3	F2	F1	F0
RESET	0	0	0	0	0	0	0	0	0	0	0	0	0	0	0	0	
TYPE	RO	RO	RO	RO	RO	RO	RO	RO	RW	RW	RW	RW	RW	RW	RW	RW	
ADDR	0x8000.0E4C																

Table 17-24. INTTYPE1 Fields

BITS	NAME	DESCRIPTION
31:8	///	Reserved Reading returns 0. Values written cannot be read.
7	F7	F7 Port F7 edge or level trigger control 1 = Configures PF7 as edge sensitive. 0 = Configures PF7 as level sensitive.
6	F6	F6 Port F6 edge or level trigger control 1 = Configures PF6 as edge sensitive. 0 = Configures PF6 as level sensitive.
5	F5	F5 Port F5 edge or level trigger control 1 = Configures PF5 as edge sensitive. 0 = Configures PF5 as level sensitive.
4	F4	F4 Port F4 edge or level trigger control 1 = Configures PF4 as edge sensitive. 0 = Configures PF4 as level sensitive.
3	F3	F3 Port F3 edge or level trigger control 1 = Configures PF3 as edge sensitive. 0 = Configures PF3 as level sensitive.
2	F2	F2 Port F2 edge or level trigger control 1 = Configures PF2 as edge sensitive. 0 = Configures PF2 as level sensitive.
1	F1	F1 Port F1 edge or level trigger control 1 = Configures PF1 as edge sensitive. 0 = Configures PF1 as level sensitive.
0	F0	F0 Port F0 edge or level trigger control 1 = Configures PF0 as edge sensitive. 0 = Configures PF0 as level sensitive.

17.2.2.7 Interrupt Type 2 Register (INTTYPE2)

This register, described in Table 17-25 and Table 17-26, configures each PFx interrupt to be asserted by a HIGH level or rising edge or by a LOW level or falling edge. The edge vs level sensitivity is selected by the PFx Interrupt Type 1 register (INTTYPE1).

Table 17-25. INTTYPE2

BIT	31	30	29	28	27	26	25	24	23	22	21	20	19	18	17	16
FIELD	///															
RESET	0	0	0	0	0	0	0	0	0	0	0	0	0	0	0	0
TYPE	RO	RO	RO	RO	RO	RO	RO	RO	RO	RO	RO	RO	RO	RO	RO	RO
BIT	15	14	13	12	11	10	9	8	7	6	5	4	3	2	1	0
FIELD	///								F7	F6	F5	F4	F3	F2	F1	F0
RESET	0	0	0	0	0	0	0	0	0	0	0	0	0	0	0	0
TYPE	RO	RO	RO	RO	RO	RO	RO	RO	RW	RW	RW	RW	RW	RW	RW	RW
ADDR	0x8000.0E50															

Table 17-26. INTTYPE2 Fields

BITS	NAME	DESCRIPTION
31:8	///	Reserved Reading returns 0. Values written cannot be read.
7	F7	F7 Port F7 trigger type control 1 = Configures PF7 as rising-edge or HIGH-level triggered. 0 = Configures PF7 as falling-edge or LOW-level triggered.
6	F6	F6 Port F6 trigger type control 1 = Configures PF6 as rising-edge or HIGH-level triggered. 0 = Configures PF6 as falling-edge or LOW-level triggered.
5	F5	F5 Port F5 trigger type control 1 = Configures PF5 as rising-edge or HIGH-level triggered. 0 = Configures PF5 as falling-edge or LOW-level triggered.
4	F4	F4 Port F4 trigger type control 1 = Configures PF4 as rising-edge or HIGH-level triggered. 0 = Configures PF4 as falling-edge or LOW-level triggered.
3	F3	F3 Port F3 trigger type control 1 = Configures PF3 as rising-edge or HIGH-level triggered. 0 = Configures PF3 as falling-edge or LOW-level triggered.
2	F2	F2 Port F2 trigger type control 1 = Configures PF2 as rising-edge or HIGH-level triggered. 0 = Configures PF2 as falling-edge or LOW-level triggered.
1	F1	F1 Port F1 trigger type control 1 = Configures PF1 as rising-edge or HIGH-level triggered. 0 = Configures PF1 as falling-edge or LOW-level triggered.
0	F0	F0 Port F0 trigger type control 1 = Configures PF0 as rising-edge or HIGH-level triggered. 0 = Configures PF0 as falling-edge or LOW-level triggered.

17.2.2.8 GPIO Port F End-of-Interrupt Register (GPIOFEOI)

This register, described in Table 17-27 and Table 17-28, deasserts each asserted, edge-sensitive PFx interrupt. Edge sensitivity is configured via the PFx Interrupt Type 1 register (INTTYPE1).

Interrupt assertion status is reported for all External Interrupts in the PFx Raw Interrupt Status register (RAWINTSTATUS) and for enabled External Interrupts in the PFx Interrupt Status register (INTSTATUS). Enable External Interrupts via the PFx Interrupt Enable register (GPIOINTEN).

Reading this register returns 0. Values written to this register cannot be read back. Writing 0b1 to any non-reserved bit in this register affects values in RAWINTSTATUS and INTSTATUS. Writing 0b0 to any bit in this register has no effect on interrupt assertion in RAWINTSTATUS or INTSTATUS.

Table 17-27. GPIOFEOI

BIT	31	30	29	28	27	26	25	24	23	22	21	20	19	18	17	16
FIELD	///															
RESET	0	0	0	0	0	0	0	0	0	0	0	0	0	0	0	0
TYPE	RO	RO	RO	RO	RO	RO	RO	RO	RO	RO	RO	RO	RO	RO	RO	RO
BIT	15	14	13	12	11	10	9	8	7	6	5	4	3	2	1	0
FIELD	///								F7	F6	F5	F4	F3	F2	F1	F0
RESET	0	0	0	0	0	0	0	0	0	0	0	0	0	0	0	0
TYPE	RO	RO	RO	RO	RO	RO	RO	RO	WO	WO	WO	WO	WO	WO	WO	WO
ADDR	0x8000.0E54															

Table 17-28. GPIOFEOI Fields

BITS	NAME	DESCRIPTION
31:8	///	Reserved Reading returns 0. Values written cannot be read.
7	F7	1 = Deassert any edge-sensitive interrupt asserted on PF7. 0 = No change to any interrupt asserted on PF7.
6	F6	1 = Deassert any edge-sensitive interrupt asserted on PF6. 0 = No change to any interrupt asserted on PF6.
5	F5	1 = Deassert any edge-sensitive interrupt asserted on PF5. 0 = No change to any interrupt asserted on PF5.
4	F4	1 = Deassert any edge-sensitive interrupt asserted on PF4. 0 = No change to any interrupt asserted on PF4.
3	F3	1 = Deassert any edge-sensitive interrupt asserted on PF3. 0 = No change to any interrupt asserted on PF3.
2	F2	1 = Deassert any edge-sensitive interrupt asserted on PF2. 0 = No change to any interrupt asserted on PF2.
1	F1	1 = Deassert any edge-sensitive interrupt asserted on PF1. 0 = No change to any interrupt asserted on PF1.
0	F0	1 = Deassert any edge-sensitive interrupt asserted on PF0. 0 = No change to any interrupt asserted on PF0.

17.2.2.9 GPIO Port F Interrupt Enable Register (GPIOINTEN)

This register, described in Table 17-29 and Table 17-30, configures each PFx as an External Interrupt or as a GPIO Port. For use as an interrupt, a Port F pin must also be configured as an input in the PFx Data Direction Register (PFDD).

Disabling an interrupt configures the pin as a GPIO port and deasserts the interrupt in the PFx Interrupt Status register (INTSTATUS). Disabled interrupts can remain asserted in the PFx Raw Interrupt Status register (RAWINTSTATUS).

Table 17-29. GPIOINTEN

BIT	31	30	29	28	27	26	25	24	23	22	21	20	19	18	17	16
FIELD	///															
RESET	0	0	0	0	0	0	0	0	0	0	0	0	0	0	0	0
TYPE	RO	RO	RO	RO	RO	RO	RO	RO	RO	RO	RO	RO	RO	RO	RO	RO
BIT	15	14	13	12	11	10	9	8	7	6	5	4	3	2	1	0
FIELD	///								F7	F6	F5	F4	F3	F2	F1	F0
RESET	0	0	0	0	0	0	0	0	0	0	0	0	0	0	0	0
TYPE	RO	RO	RO	RO	RO	RO	RO	RO	RW	RW	RW	RW	RW	RW	RW	RW
ADDR	0x8000.0E58															

Table 17-30. GPIOINTEN Fields

BITS	NAME	DESCRIPTION
31:8	///	Reserved Reading returns 0. Values written cannot be read.
7	F7	1 = Configures F7 as an External Interrupt. 0 = Disables interrupts on PF7 and clears any existing interrupt.
6	F6	1 = Configures F6 as an External Interrupt. 0 = Disables interrupts on PF6 and clears any existing interrupt.
5	F5	1 = Configures F57 as an External Interrupt. 0 = Disables interrupts on PF5 and clears any existing interrupt.
4	F4	1 = Configures F4 as an External Interrupt. 0 = Disables interrupts on PF4 and clears any existing interrupt.
3	F3	1 = Configures F3 as an External Interrupt. 0 = Disables interrupts on PF3 and clears any existing interrupt.
2	F2	1 = Configures F2 as an External Interrupt. 0 = Disables interrupts on PF2 and clears any existing interrupt.
1	F1	1 = Configures F1 as an External Interrupt. 0 = Disables interrupts on PF1 and clears any existing interrupt.
0	F0	1 = Configures F0 as an External Interrupt. 0 = Disables interrupts on PF0 and clears any existing interrupt.

17.2.2.10 GPIO Port F Interrupt Status Register (INTSTATUS)

This register, described in Table 17-31 and Table 17-32, reports the asserted or deasserted status of each PFX configured:

- The pin is enabled as an interrupt in the PFX Interrupt Enable register (GPIOINTEN).
- The pin is configured as an input in the PFX Data Direction Register (PFDD).

INTSTATUS is a logical bit-wise-AND of GPIOINTEN with the PFX Raw Interrupt Status register (RAWINTSTATUS).

Table 17-31. INTSTATUS

BIT	31	30	29	28	27	26	25	24	23	22	21	20	19	18	17	16
FIELD	///															
RESET	0	0	0	0	0	0	0	0	0	0	0	0	0	0	0	0
TYPE	RO	RO	RO	RO	RO	RO	RO	RO	RO	RO	RO	RO	RO	RO	RO	RO
BIT	15	14	13	12	11	10	9	8	7	6	5	4	3	2	1	0
FIELD	///								F7	F6	F5	F4	F3	F2	F1	F0
RESET	0	0	0	0	0	0	0	0	0	0	0	0	0	0	0	0
TYPE	RO	RO	RO	RO	RO	RO	RO	RO	RO	RO	RO	RO	RO	RO	RO	RO
ADDR	0x8000.0E5C															

Table 17-32. INTSTATUS Fields

BITS	NAME	DESCRIPTION
31:8	///	Reserved Reading returns 0. Values written cannot be read.
7	F7	This bit reports the PF7 interrupt status: 1 = The interrupt is asserted and enabled. 0 = The interrupt is deasserted or disabled.
6	F6	This bit reports the PF6 interrupt status: 1 = The interrupt is asserted and enabled. 0 = The interrupt is deasserted or disabled.
5	F5	This bit reports the PF5 interrupt status: 1 = The interrupt is asserted and enabled. 0 = The interrupt is deasserted or disabled.
4	F4	This bit reports the PF4 interrupt status: 1 = The interrupt is asserted and enabled. 0 = The interrupt is deasserted or disabled.
3	F3	This bit reports the PF3 interrupt status: 1 = The interrupt is asserted and enabled. 0 = The interrupt is deasserted or disabled.
2	F2	This bit reports the PF2 interrupt status: 1 = The interrupt is asserted and enabled. 0 = The interrupt is deasserted or disabled.
1	F1	This bit reports the PF1 interrupt status: 1 = The interrupt is asserted and enabled. 0 = The interrupt is deasserted or disabled.
0	F0	This bit reports the PF0 interrupt status: 1 = The interrupt is asserted and enabled. 0 = The interrupt is deasserted or disabled.

17.2.2.11 GPIO Port F Raw Interrupt Status Register (RAWINSTATUS)

This register, described in Table 17-33 and Table 17-34, reports the asserted or deasserted status of each PFx configured as an input in the PFx Data Direction Register (PFDD), whether or not the interrupt is enabled.

The PFx Interrupt Status register (INTSTATUS) is a logical bit-wise AND of the PFx Interrupt Enable register (GPIOINTEN) with RAWINSTATUS.

Table 17-33. RAWINSTATUS

BIT	31	30	29	28	27	26	25	24	23	22	21	20	19	18	17	16
FIELD	///															
RESET	0	0	0	0	0	0	0	0	0	0	0	0	0	0	0	0
TYPE	RO	RO	RO	RO	RO	RO	RO	RO	RO	RO	RO	RO	RO	RO	RO	RO
BIT	15	14	13	12	11	10	9	8	7	6	5	4	3	2	1	0
FIELD	///								F7	F6	F5	F4	F3	F2	F1	F0
RESET	0	0	0	0	0	0	0	0	0	0	0	0	0	0	0	0
TYPE	RO	RO	RO	RO	RO	RO	RO	RO	RO	RO	RO	RO	RO	RO	RO	RO
ADDR	0x8000.0E60															

Table 17-34. RAWINSTATUS Fields

BITS	NAME	DESCRIPTION
31:8	///	Reserved Reading returns 0. Values written cannot be read.
7	F7	This bit reports the PF7 interrupt status: 1 = The interrupt is asserted and enabled. 0 = The interrupt is deasserted or disabled.
6	F6	This bit reports the PF6 interrupt status: 1 = The interrupt is asserted and enabled. 0 = The interrupt is deasserted or disabled.
5	F5	This bit reports the PF5 interrupt status: 1 = The interrupt is asserted and enabled. 0 = The interrupt is deasserted or disabled.
4	F4	This bit reports the PF4 interrupt status: 1 = The interrupt is asserted and enabled. 0 = The interrupt is deasserted or disabled.
3	F3	This bit reports the PF3 interrupt status: 1 = The interrupt is asserted and enabled. 0 = The interrupt is deasserted or disabled.
2	F2	This bit reports the PF2 interrupt status: 1 = The interrupt is asserted and enabled. 0 = The interrupt is deasserted or disabled.
1	F1	This bit reports the PF1 interrupt status: 1 = The interrupt is asserted and enabled. 0 = The interrupt is deasserted or disabled.
0	F0	This bit reports the PF0 interrupt status: 1 = The interrupt is asserted and enabled. 0 = The interrupt is deasserted or disabled.

17.2.2.12 GPIO Port F Debounce Register (GPIODB)

This register, described in Table 17-35 and Table 17-36, debounces each PFx pin when configured as an interrupt. When enabled, the state of the Port F pin must be stable for one period of the internal 128 Hz clock (7.8125 ms) before the interrupt is reflected in the interrupt status registers. This register has no effect on Port F pins configured as GPIO.

Table 17-35. GPIODB

BIT	31	30	29	28	27	26	25	24	23	22	21	20	19	18	17	16
FIELD	///															
RESET	0	0	0	0	0	0	0	0	0	0	0	0	0	0	0	0
TYPE	RO	RO	RO	RO	RO	RO	RO	RO	RO	RO	RO	RO	RO	RO	RO	RO
BIT	15	14	13	12	11	10	9	8	7	6	5	4	3	2	1	0
FIELD	///								F7	F6	F5	F4	F3	F2	F1	F0
RESET	0	0	0	0	0	0	0	0	0	0	0	0	0	0	0	0
TYPE	RO	RO	RO	RO	RO	RO	RO	RO	RW	RW	RW	RW	RW	RW	RW	RW
ADDR	0x8000.0E64															

Table 17-36. GPIODB Fields

BITS	NAME	DESCRIPTION
31:8	///	Reserved Reading returns 0. Values written cannot be read.
7	F7	1 = Enable pin debouncing on PF7. 0 = Disable pin debouncing on PF7.
6	F6	1 = Enable pin debouncing on PF6. 0 = Disable pin debouncing on PF6.
5	F5	1 = Enable pin debouncing on PF5. 0 = Disable pin debouncing on PF5.
4	F4	1 = Enable pin debouncing on PF4. 0 = Disable pin debouncing on PF4.
3	F3	1 = Enable pin debouncing on PF3. 0 = Disable pin debouncing on PF3.
2	F2	1 = Enable pin debouncing on PF2. 0 = Disable pin debouncing on PF2.
1	F1	1 = Enable pin debouncing on PF1. 0 = Disable pin debouncing on PF1.
0	F0	1 = Enable pin debouncing on PF0. 0 = Disable pin debouncing on PF0.

Chapter 18

Secure Digital (SD) and MultiMediaCard (MMC) Controller

The LH7A404 incorporates a Secure Digital/MultiMediaCard (SD/MMC) Controller, capable of interfacing with both SD and MMC cards. In this chapter, descriptions of bits, protocol, or operation apply to both interfaces unless otherwise noted.

The SD/MMC Controller is the link between the APB bus and the SD/MMC bus. It translates the protocol of the serial SD/MMC bus to the parallel APB bus and vice versa. The SD/MMC Controller functions as an SD/MMC host.

The SD/MMC Controller supports the full SD/MMC bus protocol as defined in the MMC System Specification 2.11 and the SD Memory Card Spec Version 1.1 from the SD group. SDIO mode is supported by using additional GPIO lines.

The MMC interface uses the three-wire serial data bus (clock, command, and data) to input and output digital data to and from the MMC card, and to configure and acquire status information from the card's registers. The SD interface has 4 data lines. SD/MMC bus lines can be divided into three groups:

- Power supply: VSS1, VSS2, and VDD.
- Data Transfer: CMD, DAT0, DAT1, DAT2, DAT3 (MMC uses only CMD and DAT0).
- Clock: CLK.

18.1 Theory of Operation

The MMC and SD interfaces comprise a serial bus on which MMC or SD cards reside as slaves, and a host acts as bus master. The LH7A404 SD/MMC Controller provides the interface between the SD/MMC-bus serial protocol and the parallel LH7A404 APB, and acts as the host bus master for managing bus transactions. This chapter describes the operation of the onboard SD/MMC Controller and presents an overview of its operation with SD/MMC cards. Operating software for the LH7A404 communicates and programs SD/MMC cards via registers contained in the SD/MMC Controller. The SD/MMC Controller handles communication protocol, handshaking, CRC generation and detection, FIFO control, and error flagging.

Detailed operational and programming information for MMC cards can be found in two sources that should be used as companions to this chapter:

- MultiMediaCard Association (MMCA) System Specification, available from the MMCA web site at: <http://www.nxp.com/redirect/mmca.org>.
- MMC card manufacturer's data manuals, such as the SanDisk™ MMC Product Manual located on the Internet at: <http://www.nxp.com/redirect/sandisk.com>.

Likewise, detailed operational and programming information for SD cards can be found in two sources that should be used as companions to this chapter:

- The organization maintaining the SD Card specification is the SD Card Association, with a web site located at: <http://www.nxp.com/redirect/sdcard.org>.
- SD card manufacturer's data manuals, such as the SanDisk™ SD Product Manual located on the Internet at: <http://www.nxp.com/redirect/sandisk.com>

18.1.1 Interface

The MMC Bus is a three-wire serial data bus allowing interrogation, command, and data transfer to and from MMC cards. The signals on this three-wire bus are:

- Clock (MMCCLK). With each cycle of this signal, a one-bit transfer occurs on the command and data lines. The frequency can vary between 0 and 20 MHz.
- Command (MMCCMD), a bi-directional line used for card initialization and data transfer commands. This pin operates in push-pull mode for fast command transfer. The Command line carries commands from the SD/MMC Controller to the cards, and responses from the cards to the SD/MMC Controller.
- Data (MMCDATA0), a bi-directional data channel, operating in push-pull mode with only one card or the SD/MMC Controller driving this line at a time.

In addition, the MMC bus contains the power and ground voltages.

The SD Bus contains the same clock and command lines, but adds three additional data lines:

- Clock (MMCCLK). With each cycle of this signal, a one-bit transfer occurs on the command and data lines. The frequency can vary between 0 and 20 MHz.
- Command (MMCCMD), a bi-directional line used for card initialization and data transfer commands. This pin operates in push-pull mode for fast command transfer. The Command line carries commands from the SD/MMC Controller to the cards, and responses from the cards to the SD/MMC Controller.
- Data (MMCDATA[3:0]), four bi-directional data channels, operating in push-pull mode with only one card or the SD/MMC Controller driving one line at a time.

In addition, the SD/MMC bus contains the power and ground voltages.

18.1.1.1 SD/MMC Card Registers

The SD/MMC Controller communicates with MMC cards through a set of information registers. Three of these registers are mandatory for every card and three are optional.

18.1.1.1.1 Mandatory SD/MMC Registers

Every SD/MMC card contains a set of three mandatory registers:

- Card Identification Number (CID) is a 128-bit read-only register, containing a unique card identification number, programmed during card manufacture. The SD/MMC Controller can read this register to determine the number and location of currently connected SD/MMC cards.
- Card Specific Data (CSD) is a 128-bit read-only register, describing card operation conditions. The most-significant bytes contain manufacturing-programmed data. The two least-significant bytes contain information about copy and write protection, file storage format, and the error correction code (ECC) register. These two bytes can be programmed by the SD/MMC Controller to define parameters such as the data format, error correction type, maximum data access time, and data transfer speed.
- Relative Card Address (RCA) is a 16-bit write-only register containing the card-relative address assigned to each card by the SD/MMC Controller during card identification. The default RCA is 0x0001. Broadcasting an RCA value 0x0000 to all connected cards sets all cards in Standby State.

18.1.1.1.2 Optional SD/MMC Registers

SD/MMC cards can also have these registers:

- Operation Condition Register (OCR), a 32-bit register containing the VDD voltage range allowed for card access. This is generally implemented only in cards that support the full operational voltage range. The SD/MMC Controller can issue a broadcast command to detect all such cards.
- Driver Stage Register (DSR), a 16-bit register programmable by the SD/MMC Controller to improve the bus performance for extended operating conditions.
- SD Configuration Register (SCR), a 64 bit register that provides information about the SD Memory Card's Special Features capabilities. Mandatory register for SD.

18.1.2 SD/MMC Memory Organization

SD and MMC cards contain byte-addressable memory. The Standards do not define memory/file system organization, but three are suggested: Hard disk-like file system; DOS FAT file system; or Universal file system. Most commercially available MMC cards use the hard disk-like organization. These cards organize memory into blocks of 512 byte blocks, much like the organization of a disk drive. Read operations can address as little as a single byte but write operations operate on full blocks. Performance can be enhanced by using streaming or multiple block transactions, as described in Section 18.1.7.2.

In this organization, blocks are also grouped into *erase groups* of 32 blocks each. Any combination of blocks within a group and any combination of erase groups can be erased by the SD/MMC Controller sending a single erase command. If data is not 'pre-erased', a Write command will perform an implicit erase prior to writing. Group erase produces faster write times, increasing system throughput.

18.1.3 Reset

After reset, the SD/MMC Controller is disabled. To enable the SD/MMC Controller, set the Clock Gating and Clock Predivide register SD/MMC Enable field (CLOCK_PREDIV:MMC_EN). When the SD/MMC Controller is enabled, software can program the SD/MMC registers. Until programmed, the SD/MMC configuration is:

- SD/MMC mode is enabled.
- In SD/MMC mode, CMD and DATx are tri-stated; CLK is disabled.
- The Response FIFO is cleared. The Data FIFO contents are undefined. The FIFOs are configured to be read via DMA.
- All command and data controls and parameters are cleared, including the 80-bit initialization sequence.
- The NOB register is initialized to 0x0. Note that this register must be programmed to a non-zero value before attempting to write to an SD Card or MMC.
- All interrupts and errors are deasserted and cleared, except the FIFO Empty flag is set in the Status register (STATUS:FIFO_EMPTY). The Response Timeout limit defaults to 64 MMCCLK cycles. The Read Timeout limit defaults to 65,535 cycles of HCLK/256.

18.1.4 Clock Generation and Control

The system HCLK is divided by the value contained in the PREDIV register to generate the MMC Master Clock. Then, the MMC Master Clock signal, which is the clock sent to SD/MMC cards, is set with the Clock Rate Register (RATE). This register allows MMC Master Clock to be further divided from the frequency determined in the PREDIV register. The MMC Master Clock should be programmed for the fastest speed that will work with all the cards currently plugged in.

Software must stop the clock before reconfiguring the SD/MMC Controller, then restart the clock to send the next command. SD/MMC Controller registers must not be updated with the clock running as it can cause unpredictable operation. When updating the Data FIFOs, software need only restart the clock.

To set the MMCCLK frequency:

- Program the Start Clock bit (CLKC:START_CLK) to 1 to start the clock.
- Program the Stop Clock bit (CLKC:STOP_CLK) to 1 to stop the clock. Read the Status register Clock Enable bit (STATUS:CLK_DIS) to confirm the clock is stopped.
- When both bits are 0, CLKC:STOP_CLK has priority and the clock is stopped. Both bits are 0 after reset.
- Only one of CLKC:START_CLK and CLKC:STOP_CLOCK bits can be set at any time. The value 0b11 is invalid.
- Stop the clock before changing the frequency. Configure the MMCCLK frequency by programming PREDIV and RATE:
 - Program the PREDIV register PREDIV field (PREDIV:MMC_PREDIV) to specify a divisor for HCLK, as shown in Table 18-1. This PREDIV rate is called the MMC Master Clock.
 - Program the RATE register Clock Rate field (RATE:RATE) to specify MMCCLK based on the Master Clock (HCLK after a pre-set divisor), as shown in Table 18-2.

Table 18-1. MMCCLK_PREDIV

PREDIV FIELD	MASTER CLOCK
0x1	HCLK
0x2	HCLK/2
0x3	HCLK/3
0x4	HCLK/4
0x5	HCLK/5
0x6	HCLK/6
0x7	HCLK/7
0x8	HCLK/8

Table 18-2. MMCCLK Frequency

RATE FIELD	OUTPUT FREQUENCY
0x0	Master Clock
0x1	Master Clock/2
0x2	Master Clock/4
0x3	Master Clock/8
0x4	Master Clock/16
0x5	Master Clock/32
0x6	Master Clock/64

18.1.5 DMA Operation

The MMC interface can use the LH7A404 DMA Controller for data transfers (see also Chapter 9), allowing commands with large data transfers and low processor overhead. For DMA Reads from the FIFO, the FIFO must be flushed of any residual data before reading. This is easily accomplished. First, start the MMC Read command, and start the MMCCLK. Then, wait at least four MMCCLK cycles for the FIFO to clear prior to enabling DMA. This will allow the SD/MMC Controller time to automatically flush the FIFO and populate it with valid data prior to commencing DMA.

The basic DMA transaction is:

1. The Data FIFOs are set up in SDRAM.
2. The DMA controller is enabled and programmed with base address and byte counts pointing to the buffers.
3. The MMC command is programmed.
4. The data transfers between receive and transmit FIFOs begin and proceed automatically until any of these occur:
 - The transfer is stopped by software
 - The data BLOCK requirements are met
 - A receive overflow or transmit underflow error occurs.

When the MMC Data Block size exceeds the SDRAM FIFO size, the DMA controller can be allocated fresh Data FIFOs as required.

The SD/MMC Controller monitors Data FIFO status, generating receive overflow and transmit underflow errors. Errors end the transfer and generate DMA Controller error interrupts.

For Read operations, software must check both the STATUS:TRANDONE bit and the REMAIN register of the DMA Controller (see Chapter 10). For a Write operation, software must check both STATUS:DONE bit and STATUS:TRANDONE bit, as well as the DMA Controller REMAIN register. If used in the particular transaction, the status of the CMDCON:BUSY bit must also be checked by software (See Section 18.1.7.3).

18.1.6 SD/MMC Card Communication Overview

Communications between the SD/MMC Controller and SD/MMC cards occur in two modes: Identification Mode and Data Transfer Mode. Software must program the controller to properly perform these two modes. Refer to the MMCA Specification or a manufacturer's User Manual for full descriptions of all commands.

Software sends commands to the SD/MMC cards by writing the command number into the CMD register and the command's argument (if any) into the ARGUMENT register. Software reads card responses from the RES_FIFO register. The software places Write data in, or retrieves Read data from the DATA_FIFO register.

Application-specific commands (ACMD) require two writes by the software to the CMD register. The software first writes CMD55 (application specific command), checks status for response, then writes the command. For example, to send ACMD23, the software first writes CMD55 into the CMD register, checks the STATUS register for command completion without error, then writes CMD23 into the CMD register. A final check of the STATUS register by the software verifies that the command completed without error.

The speed of the SD/MMC clock can be set by software, as required by particular SD/MMC cards, using the RATE register. Software can also start and stop the MMC clock using the CLKC register. At the completion of any command, the software should read the STATUS register to ensure completion occurred with no errors.

18.1.6.1 Identification Mode

Upon initial power up, all SD/MMC cards initialize into the Idle State. In this mode, the cards set their RCA registers to default values of 0x00000001. Cards can also be forced into the Idle State by the SD/MMC Controller issuing a CMD0 (GO_IDLE_STATE). To assure all cards on the bus are stable, the SD/MMC Controller must wait 80 MMCCLK periods before proceeding with communications over the SD/MMC bus.

The SD/MMC Controller software sends a CMD2 (ALL_SEND_ID), causing all connected cards to begin replying with their CID number. If more than one SD/MMC card is connected, only one will win the bus and transmit its complete CID. The SD/MMC Controller software must assign a relative address to that SD/MMC card using CMD3 (SET_RELATIVE_ADDR). This address programs the RCA register in the SD/MMC card. The identification process is repeated until all connected cards are assigned unique relative addresses. The process ends when no start bit appears on the data line from the SD/MMC cards for more than five clock periods.

At this point, all SD/MMC cards enter the Stand By state and the SD/MMC Controller software enters the Data Transfer Mode. Software should program the SD/MMC Controller to send a CMD7 (SELECT/DESELECT_CARD) with the relative card address of 0x0000 at regular intervals to locate any recently installed cards. This causes all identified cards to return to Stand By state (if they weren't already there) and any non-identified cards to identify themselves. Doing so allows identification of new cards without resetting those cards already identified.

18.1.6.2 Data Transfer Mode

SD/MMC Protocol defines two types of data transfers: sequential and block. Sequential transfers allow specifying a start address and then receiving or sending 'streaming' data from the SD/MMC card. Block transfers specify a single or multiple blocks of data to be read or written.

18.1.6.2.1 Stream Read

The SD/MMC Controller software selects an SD/MMC card by sending its relative address as the argument to a CMD7 (SELECT/DESELECT_CARD). After receiving a response, the software sends a CMD11 (READ_DAT_UNTIL_STOP) with the starting address as the argument. The MMC card begins sending data over the SD/MMC bus starting with the requested address. Software retrieves the data from the SD/MMC Controller DATA_FIFO register. Data continues to be sent from the card until the SD/MMC Controller software sends a CMD12 (STOP_TRANSMISSION). Because of execution delay, transmission stops after the end bit of the command.

Streaming Reads can begin and end at any address. No CRC is generated for Streaming Reads.

18.1.6.2.2 Stream Write

The SD/MMC Controller can initiate a Stream Write in a similar way to reading. The software selects the proper card with CMD7 with the relative address for the SD/MMC card as the argument. For Writes, the starting and ending address must be on block boundaries.

Software places data to be written in the SD/MMC Controller DATA_FIFO register, then sends a CMD20 (WRITE_DAT_UNTIL_STOP) command. When all data has been placed in FIFO, software sends a CMD12 (STOP_TRANSMISSION) to terminate the write.

18.1.6.2.3 Single Block Write

Single Block Write operations also transfer from a single physical block, however the entire block must be written from beginning to end. Any Write operations that do not fill an entire block will be flagged as a misalignment error.

Software selects the SD/MMC card using CMD7 with the card's relative address as the argument. Software fills the DATA_FIFO register then sends CMD24 (WRITE_BLOCK) with the address of the beginning of the block as the argument. The software continues to fill the FIFO until all data is written.

The SD/MMC Controller automatically generates the proper CRC and sends it to the SD/MMC card.

Figure 18-1 illustrates Stream Write and Stream Read transfers.

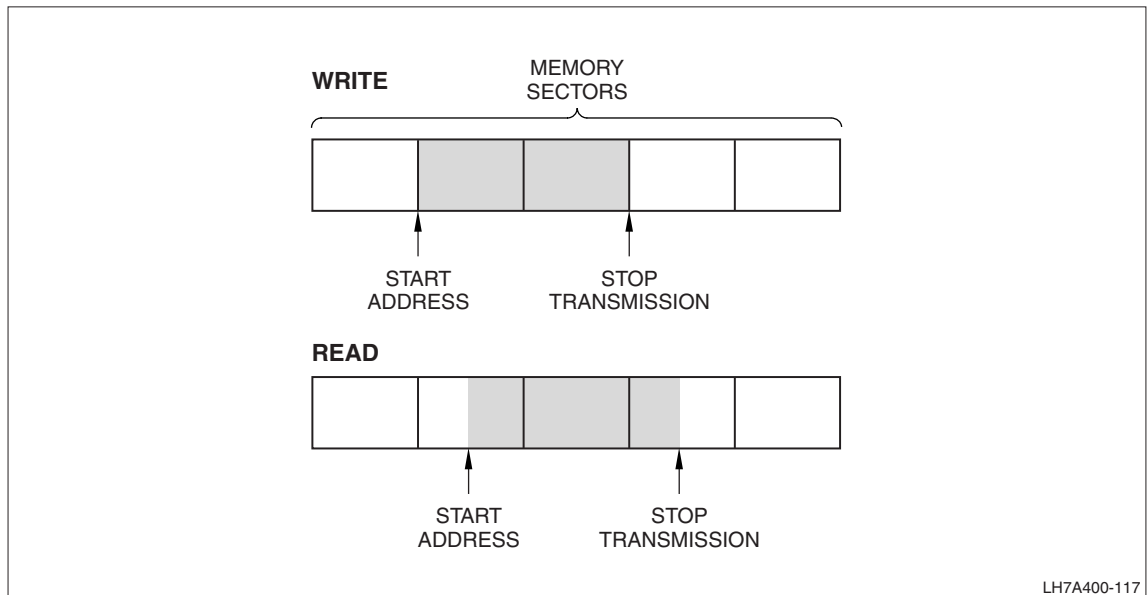


Figure 18-1. Stream Mode Data Transfer

18.1.6.2.4 Single Block Read

Single Block Read transfers read data from a single physical block. The Single Block Read does not have to read the entire block; the Read can be as little as one byte up to the entire block.

SD/MMC Controller software selects the SD/MMC card using a CMD7 with the card's relative address as the argument. The software then sends the block length to be read as the argument to CMD16 (SET_BLOCKLEN) followed by CMD17 (READ_SINGLE_BLOCK) with the starting address as the argument to begin the read. Data is available to the software in the SD/MMC Controller DATA_FIFO register. Block Reads have CRC data bits added to each data block. Figure 18-2 shows the Single Block Write and Read functions.

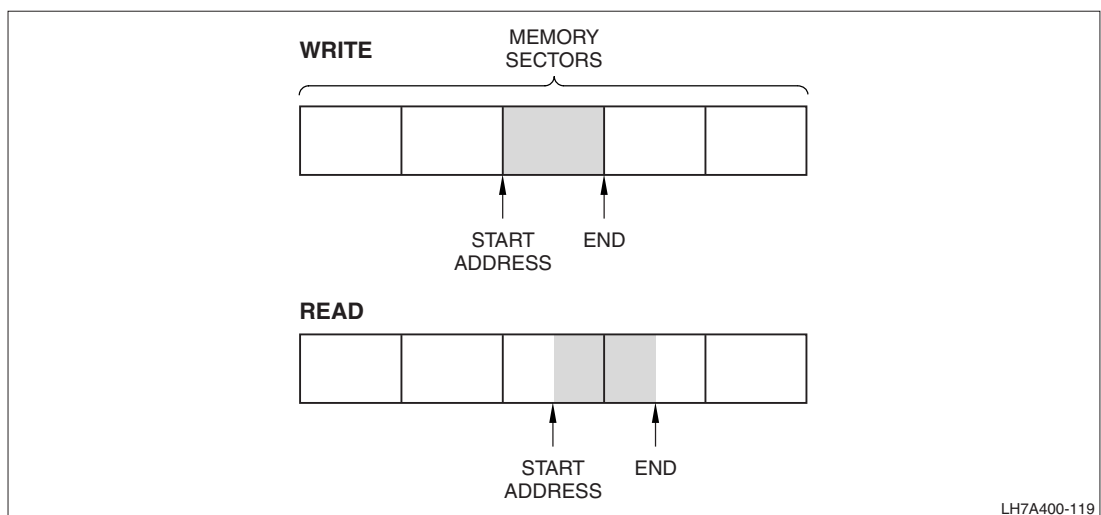


Figure 18-2. Single Block Mode Data Transfers

18.1.6.2.5 Multiple Block Write

Multiple Block Write operations also transfer from two or more physical blocks, however each block must be written from beginning to end. Any Write operations that do not fill all blocks entirely will be flagged as a misalignment error.

Software selects the SD/MMC card using CMD7 with the card's relative address as the argument. The number of blocks to be written is placed in the MMC Controller NOB register by software. Then, software fills the DATA_FIFO register then sends CMD25 (WRITE_MULTIPLE_BLOCK) with the address of the beginning of the block as the argument. The software continues to fill the FIFO until all data is written.

The SD/MMC Controller automatically generates the proper CRC and sends it to the SD/MMC card.

18.1.6.2.6 Multiple Block Read

Multiple Block Read operations are the same as Single Block Reads except the requested data can span more than one contiguous block. For Reads, the beginning and ending address need not be on block boundaries.

SD/MMC Controller software selects the MMC card using a CMD7 with the card's relative address as the argument. The software then sends the block length to be read as the argument to CMD16 (SET_BLOCKLEN), programs the SD/MMC Controller register NOB with the number of blocks to be read, then sends a CMD18 (READ_MULTIPLE_BLOCK) with the starting address as the argument to begin the read. Data is available to the software in the SD/MMC Controller DATA_FIFO register.

Block Reads have CRC data bits added to each data block.

Figure 18-3 shows the Multiple Block Write and Read functions.

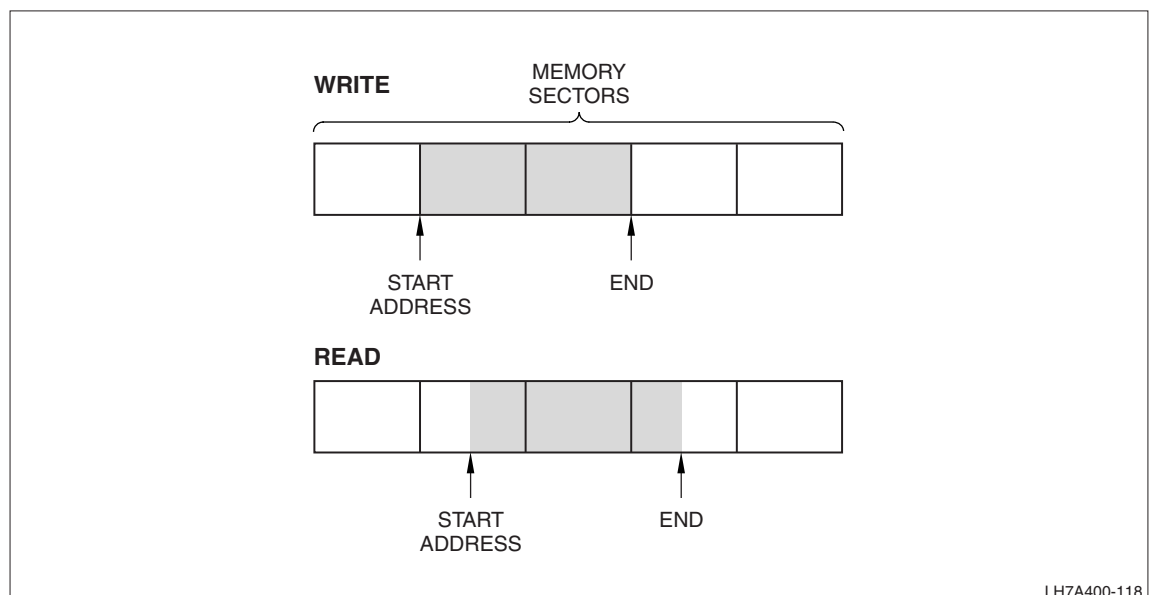


Figure 18-3. Multiple Block Mode Data Transfer

18.1.6.2.7 Block and Group Erase

Software can erase block or groups of block with a single set of commands. This can improve Write performance by pre-erasing multiple blocks prior to Write operations.

Software first selects the proper card with CMD7, then identifies the block start and end with CMD32 (TAG_BLOCK_START) and CMD33 (TAG_BLOCK_END), or the erase group start and end with CMD35 (TAG_ERASE_GROUP_START) and CMD36 (TAG_ERASE_GROUP_END). Blocks or groups can be removed from the list using CMD34 (UNTAG_BLOCK) or CMD37 (UNTAG_ERASE_GROUP) as appropriate. Once set up, software issues a CMD38 (ERASE). The MMC card erases all memory addresses within the boundaries of the tags.

18.1.7 Command Operation and Protocols

This section discusses the software and SD/MMC Controller communication activity, with an overview of required parameters and transfer elements. For specific register programming and flag values, see Section 18.1.10.

18.1.7.1 Basic, No Data, Command-Response Sequence

The Basic, No Data, and Command-Response Sequence commands include:

- CMD0: GO_IDLE_STATE
- CMD1: SEND_OP_COND
- CMD2: ALL_SEND_CID
- CMD3: SET_RELATIVE_ADDR
- CMD7: SELECT/DESELECT_CARD
- CMD9: SEND_CSD
- CMD10: SEND_CID
- CMD12: STOP_TRANSMISSION
- CMD13: SEND_STATUS
- CMD15: GO_INACTIVE_STATE

The SD/MMC Controller automatically performs the basic MMC Bus transaction, including these operations:

- Formatting the command
- Generating and appending CRC numbers
- Waiting for the Response Start bit
- Receiving the Response data
- Validating the card CRC
- Adding eight clock cycles.

These transaction parameters can be programmed in the SD/MMC Controller registers:

- Command code and arguments
- The type of the expected response, including no response
- The type, if any, of data transfer associated with the command
- The time-out period for the card response
- Adding the 80-cycle Initialization sequence.

18.1.7.2 Data Transfer

The SD/MMC Controller performs data transactions on the MMC Bus in all basic modes.

Data transfer operations involve two FIFOs controlled by the SD/MMC Controller. Software accesses these FIFOs via the DATA_FIFO register. While software is accessing one FIFO, to read received data or to write data for transmission, the SD/MMC Controller can be receiving or transmitting data in the other FIFO. When both the software access and the transfer are complete, the FIFOs are switched. Software can read or write the FIFO recently filled or emptied by the transfer. Concurrently, the SD/MMC Controller can use the FIFO recently read or written by software for the next reception or transmission.

At the end of any transfer or Busy signal on the MMC Bus, the SD/MMC Controller waits eight MMCLK cycles before notifying software of the FIFO switch. Depending on the transfer type, a FIFO need not be completely read or written during the software access. Data begins at offset 0x0 in the FIFO for each transfer.

When a FIFO is ready to be read or written by software, one of these flags is set:

- STATUS:FIFO_FULL indicates one of these conditions:
 - Both buffers written to capacity (1,024 bytes) prior to transmission commencing
 - One buffer is currently transmitting and the other has been written to capacity
 - One buffer is receiving data and the other has been filled by reception and software has not emptied it yet.
- STATUS:FIFO_EMPTY indicates one of these conditions:
 - Both buffers contain no data
 - One buffer is receiving data and the other buffer is empty
 - One buffer is transmitting and the other buffer is empty.

When a transfer completes, the Data Transfer Done interrupt (DATA_TRAN) is asserted:

- In a read sequence, DATA_TRAN indicates end of data transfer from the MMC Bus.
- In a write sequence, DATA_TRAN indicates the Data CRC Response Check transmission.

A card cannot be disconnected while the SD/MMC Controller is transmitting or receiving data. At any other time, cards can be connected and disconnected as described in the SanDisk MMC Product Manual.

18.1.7.2.1 Block Data Write

This operation is performed after the command and response sequences, as described in the SanDisk MMC Product Manual. When software has finished writing a FIFO, the SD/MMC Controller performs the Basic Block Data Write transaction:

- Generates the data start bit
- Sends the data
- Generates and appends the CRC number
- Receives the response CRC
- Validates the CRC response
- Waits for a busy signal from the MMC.

In a Multiple Block Write, the controller performs this basic block data transfer on the MMC Bus multiple times.

When software has finished writing a FIFO:

- If the FIFO is not full, software notifies the MMC Controller the FIFO is not full.
- If the FIFO is full, software waits until the controller switches the FIFOs, then writes the next block to the next FIFO. This is signalled with the STATUS:FIFO_EMPTY set to 1.

Software generates the stop transmission command after the last block of data, and is notified when the last FIFO of data has been transmitted. The Stop Transmission command is described in the SanDisk MMC Product Manual.

Upon deasserting the Busy signal, the controller waits eight MMCCLK cycles before notifying software the FIFO is ready. Similarly, at the end of each data transfer, the SD/MMC Controller waits eight MMCCLK cycles before notifying software the transfer has finished. The card requires this delay for finishing internal operations. When the SD/MMC Controller completes a transfer before software finishes writing the next FIFO, the SD/MMC Controller stops MMCCLK to avoid losing data on the MMC bus.

CAUTION

A card cannot be disconnected in a Multiple Block Write, including while a Busy signal is active. Doing so may cause data to be corrupted or lost.

In a Block Data Write, these parameters must be defined:

- Identification of the data transfer as a Write
- The block length, for the first block after a reset, or when the block length is different from the previous block length
- The number of blocks
- The block mode.

If an error occurs during Block Write, the Host is reset when:

- An error is detected by the Host or card after receiving a response or timeout
- Software detects this error after starting a Write sequence.

18.1.7.2.2 Block Data Read

After performing the Command Response sequence, the SD/MMC Controller waits two MMCCLK cycles after the end bit of the command before detecting the Data Start bit. The Block Data Read transaction comprises:

- The SD/MMC Controller receives the data and validates the data CRC.
- After receiving data into the FIFO, the SD/MMC Controller notifies software the FIFO is full. Software can then read the FIFO.
- Software generates a Stop Transmission command after the last block of data is received.
- Before each data block, the SD/MMC Controller verifies that data has arrived before the timeout limit in the SD/MMC Controller registers. The Read Timeout is calculated:

$$\text{Read Timeout} = (\text{Master Clock} \times \text{Programmed timeout limit}) \div 256$$

In a Multiple Block Read, the SD/MMC Controller executes a block data transfer on the SD/MMC Bus multiple times. When a CRC error is detected at the end of a Data Block in a Multiple Block Read, the SD/MMC Controller notifies software of the error. Software must then send a Stop command. When the SD/MMC Controller completes a transfer before software finishes reading the previous FIFO, the SD/MMC Controller stops the MMCCLK to avoid losing data on the SD/MMC bus.

After receiving the End bit of the last Data Block, the SD/MMC Controller stops the MMCCLK, allowing software to send the Stop Transmission command. Software reads the last FIFO.

In a Block Data Read, these parameters must be defined:

- Specify that the data transfer is Read
- Block length for the first block after reset, or when the block length is different from the previous block length
- Number of blocks
- Block mode.

If an error occurs during Block Read, the Host is reset when:

- An error is detected by the Host or card after receiving a response or timeout
- Software detects this error after starting a Read sequence.

18.1.7.2.3 Stream Data Write

In Stream Data Write:

- The SD/MMC Controller generates the Data Start bit and sends the data.
- Software must write the last FIFO with only six bytes and the Stop Transmission command parameters.
- Software must inform the SD/MMC Controller of the partially full FIFO.
- The SD/MMC Controller then sends the last six data bytes and the Stop command together.

In Stream Data Transfer mode, the Stop Transmission command must be sent during the data transfer and cannot be sent after the data is finished.

Software can partially fill the FIFOs, but must first send notification of a partially full FIFO. A minimum of one data byte can be specified. When an odd number of bytes is specified, the last byte must be in the high byte of the word written to the FIFO.

In Stream Data Write, these parameters must be defined:

- Identification of the transfer as Stream mode
- Identification of the transfer as a Write.

18.1.7.2.4 Stream Data Read

In Stream Data Read:

- The SD/MMC Controller waits for the Start Data bit
- The SD/MMC Controller receives the data
- Software sends the Data Stop Transmission command.
- Stops the Data Read at the end of the Data Stop Transmission command.

When an odd number of bytes is specified, the last byte is in the low byte of the word read from the FIFO.

In Stream Data Read, these parameters must be defined:

- Identification of the transfer as Stream mode
- Identification of the transfer as a Read
- Timeout for the Data Read, programmed by software.

18.1.7.3 Busy Sequence

The Busy bit in the CMDCON register allows the MMC Controller to delay the data transfer portion of a transaction until the SD or MMC card is ready to transfer data. Software should set the Busy bit anytime a command will generate an R1b response from an SD or MMC card. If the Busy bit is not used correctly, software will be unable to determine when the card is ready for a data transfer. For DMA transactions, the sequence for the Busy bit is:

1. Set up all MMC Controller registers except CMDCON
2. Write proper data to the CMDCON register
3. Start the MMCCLK
4. Wait for the PRG_DONE interrupt
5. Set up the DMA Controller for the transaction
6. Stop the MMCCLK to clear the PRG_DONE interrupt
7. Start the MMCCLK, which restarts the MMC Controller state machine
8. Wait for PRG_DONE interrupt for a Write or DATA_TRAN_DONE interrupt for a Read.

The SD/MMC Controller expects a Busy signal:

- After every block of data in a Single or Multiple Block Write operation
- At the end of a command when software specifies a Busy signal is to be expected, for example, after commands such as:
 - Stop Transmission
 - Card Select
 - Erase
 - Program CID.

While a busy signal is on the SD/MMC bus, software can send only these commands:

- Send status command (CMD 13)
- Disconnect command (CMD 7)

A card can be removed in Busy state. The Busy signal is deasserted and a different card can be connected.

18.1.8 Error Detection

When an error is detected, an error status flag is set in the STATUS register at the end of the transfer sequence, as shown in Table 18-3. These flags are reset every time the clock is stopped.

Table 18-3. Error Detection

ERROR	DESCRIPTION	STATUS FIELD SET
Response CRC Error	A CRC calculation error has appeared on the command response.	CRC
Response Timeout	No response has appeared for a time exceeding the limit programmed in the Response Timeout register (RESPONSE_TO).	TORES
Write CRC Error	The CRC response in the data write sequence has returned a CRC error.	CRCWRITE
Read CRC Error	The CRC calculation on the data read block is incorrect.	CRCREAD
Read Data Timeout	The time between sending a read command and receiving the data has exceeded the limit programmed in the Read Timeout register (READ_TO).	TOREAD

18.1.9 Interrupts

Besides the error flags discussed in Section 18.1.8, the SD/MMC Controller generates individual active HIGH flags and interrupts to report conditions and events. These flags are asserted in STATUS. Some of these flags correspond to some of the MMC hardware interrupts, generated for these conditions:

- Eight MMCCLK cycles have passed after the end of a command and response sequence in a No Data Transfer operation.
- The Busy signal has ended. This interrupt corresponds to the Program Done flag (STATUS:DONE).

The flags and corresponding hardware interrupts are represented in the Interrupt Status register (INT_STATUS), as shown in Table 18-4. Software can configure these INT_STATUS interrupts as enabled or masked by programming the Interrupt Mask register (INT_MASK). Each INT_STATUS interrupt can be deasserted by writing 0b1 to the appropriate field in the MMC End-of-Interrupt register (EOI).

When the SD/MMC interrupt (MMCINTR) is asserted to the LH7A404 VIC, software can read INT_STATUS and STATUS for information about the cause.

Table 18-4. MMC Interrupts

INT_STATUS INTERRUPT	INTERRUPT DESCRIPTION	CORRESPONDING STATUS	STATUS DESCRIPTION
ENDRESP	End Command Response. The command and response transfers have finished.	ENDRESP	End Command Response. The command and response transfers have finished.
DONE	Program Done. The MMC card has completed writing data and the Busy signal has ended.	DONE	Program Done. The MMC card has completed writing data and the Busy signal has ended.
DATA_TRAN	Data Transfer Done. The SD/MMC Controller has completed transfer to or from the MMC card.	TRANDONE	Data Transfer Done. The SD/MMC Controller has completed transfer to or from the MMC card.
CLK_DIS	Bus Clock Stopped. MMCCLK is not running.	CLK_DIS	Clock Disabled. MMCCLK is not running.

NOTE: *This interrupt cannot be cleared using the INT_CLR register. Use care before enabling and using this interrupt.

18.1.10 Transaction Examples

The examples in this section show MMC mode operation.

18.1.10.1 Initialize

To initiate a command, the application must first send 80 MMCCLK cycles on the SD/MMC Bus. Every command on the Bus can be prefixed with this Initialization sequence. This function is useful for acquiring new cards inserted on the Bus.

To prefix a command with the Initialization sequence, set the Command Data Control register Initialize field (CMDCON:INITIALIZE).

Software can either:

- Wait for the end of Busy by waiting for the Status register Program Done field (STATUS:DONE) to be set.
- Send a Card Select command and address to another card while the card is busy programming.

18.1.10.2 No Data Command and Response Transaction

These registers and content are used in the basic No Data Command and Response transaction:

1. The clock is stopped, by setting the CLOCK_CONTROL register Stop Clock field (CLKC:STOP_CLK).
2. The command code is programmed in the Command Number register (CMD).
3. The most and least significant byte arguments are programmed in ARGUMENT.
4. The CMDCON parameters are programmed:
 - The Response Format field (RESPONSE_FORMAT)
 - The Data Enable field (DATA_EN) is cleared, indicating the transfer includes no data.
 - The Busy field (BUSY) is cleared, indicating no Busy signal is expected after the command.
 - Unless an Initialization sequence is required, INITIALIZE is cleared.
5. The clock is started, by clearing CLKC:STOP_CLK and setting CLKC:START_CLK.

After the clock is started, no registers can be reprogrammed until the STATUS register End Command Response field (STATUS:ENDRES) is set, indicating the Command Response has finished and the response is in the Response FIFO register (RES_FIFO) for software to read.

18.1.10.3 Erase

An erase command is a basic No Data Command and Response sequence, performed as described in Section 18.1.7.1. With the command itself in CMD, the Busy field (CMDCON:BUSY) must be set after the response is read from RES_FIFO.

18.1.10.4 Single Block Write

For the Single Block Write command, the MMC registers are programmed:

1. The clock is stopped.
2. Set the block size in the BLK_LEN register.
3. Set the NOB register to 0x1.
4. Get card status.
5. Command card into transfer state.
6. Program the command code into the CMD register.
7. The most significant byte arguments are programmed in ARGUMENT.
8. The CMDCON parameters are programmed:
 - RESPONSE_FORMAT programmed to 0x01, specifying Format R1.
 - DATA_EN is set, indicating the command includes a data transfer.
 - The Write field (WRITE) is set, specifying a Write.
 - The Stream field (STREAM) is cleared, specifying a block transfer.
 - BUSY is cleared, indicating no Busy signal is expected after the command.
 - Unless an Initialization sequence is required, INITIALIZE is cleared.
9. The clock is started.

10. Software checks the STATUS register's FIFO Empty field (STATUS:FIFO_EMPTY) to identify whether the FIFO is empty.
11. When the FIFO is empty, software writes the FIFO and starts the clock.
12. Check STATUS:CRCWRITE. The SD/MMC will not accept Write data if received with a CRC error. If a CRC error occurs, software must re-write the data to the card.
13. Send STOP_TRANS command.
14. Software polls the STATUS register Data Transfer Done field (STATUS:TRANDONE) until the field is set.
15. After TRANDONE is set, software checks various fields in the STATUS register to identify whether the data transfer finished successfully.
16. To address a different card, software can send a Chip Select command to the card by sending a basic No Data Command and Response transaction. To address the same card, software must wait for the STATUS register Program Done field (STATUS:DONE) to be set, to ensure the Busy is finished.

18.1.10.5 Single Block Read

For a single block read, software:

1. Sends a Read command modifying:
 - a. CMDCON:
 - RESPONSE_FORMAT is programmed as 0x01, specifying Format R1
 - DATA_EN is set, indicating the command includes a data transfer
 - WRITE is cleared, specifying a Read
 - STREAM is cleared, specifying a block transfer
 - BUSY is cleared, indicating no Busy signal is expected after the command
 - Unless an Initialization sequence is required, INITIALIZE is cleared.
 - b. The Block Count register (NOB) is programmed as 0x0001, specifying a single block.
 - c. The Block Length register (BLK_LEN) is programmed with the number of bytes in the block.
2. Reads the response from RESPONSE_FIFO.
3. Waits for STATUS:FIFO_FULL to be set.
4. Checks STATUS:CRCREAD.
5. Reads the data from DATA_FIFO.
6. When finished, deselects the card.

18.1.10.6 Multiple Block Write

For a Multiple Block Write, software:

1. Sends a Write command modifying:
 - a. CMDCON:
 - RESPONSE_FORMAT is programmed as 0x01, specifying Format R1
 - DATA_EN is set, indicating the command includes a data transfer
 - WRITE is set, specifying a Write
 - STREAM is cleared, specifying a block transfer
 - BUSY is cleared, indicating no Busy signal is expected after the command
 - Unless an Initialization sequence is required, INITIALIZE is cleared.
 - b. The Block Count register (NOB) is programmed with the number of blocks in the transfer.
 - c. The Block Length register (BLK_LEN) is programmed with the number of bytes in the block.
2. After the clock is started, wait until STATUS:ENDRESP is set, indicating the command response to the Write is finished.
3. Reads RESPONSE_FIFO.
4. Checks STATUS:CRCWRITE.
5. Repeats the following steps until the final block has been written:
 - Wait for STATUS:FIFO_EMPTY to be set
 - Check for STATUS:CRCWRITE
 - Write DATA_FIFO with 512 bytes
 - Start the clock.
6. Before sending the Stop Transmission command, waits for TRANDONE to be set.
7. Sends the stop transmission command as described in Section 18.1.7.2, with CMDCON:BUSY set.
8. After receiving the response, waits for the end of the Busy signal by either:
 - Waiting until STATUS:DONE is set
 - Sending a Send Status command to the card and checking the state of the card in the response.
9. When finished, deselects the card.

18.1.10.7 Multiple Block Read

For a Multiple Block Read, software:

1. Sends a Read command, modifying:
 - a. CMDCON:
 - RESPONSE_FORMAT is programmed as 0x01, specifying Format R1
 - DATA_EN is set, indicating the command includes a data transfer
 - WRITE is cleared, specifying a Read
 - STREAM is cleared, specifying a block transfer
 - BUSY is cleared, indicating no Busy signal is expected after the command
 - Unless an Initialization sequence is required, INITIALIZE is cleared.
 - b. The Block Count register (NOB) is programmed with the number of blocks in the transfer.
2. After the clock is started, waits until STATUS:ENDRESP is set, indicating the command response is finished.
3. Reads RESPONSE_FIFO.
4. Repeats these steps until the final block has been read:
 - Wait until STATUS:FIFO_EMPTY is set
 - Check for STATUS:CRCREAD
 - Read DATA_FIFO.
5. When finished, deselects the card.

After receiving the final block, the SD/MMC Controller stops the clock and software sends a Stop Transmission command.

18.1.10.8 Stream Write

For a Stream Write, software:

1. Sends a Write command modifying:
 - a. CMDCON:
 - RESPONSE_FORMAT is programmed as 0x01, specifying Format R1
 - DATA_EN is set, indicating the command includes a data transfer
 - WRITE is set, specifying a Write
 - STREAM is set, specifying a Stream Transfer
 - BUSY is cleared, indicating no Busy signal is expected after the command
 - Unless an Initialization sequence is required, INITIALIZE is cleared.
 - b. NOB is programmed with 0xFFFF.
2. Reads RESPONSE_FIFO.
3. Fills DATA_FIFO.
4. Repeats these steps until all but the final 256 or fewer half words have been written:
 - Wait for STATUS:FIFO_EMPTY to be set.
 - Fill DATA_FIFO.
5. Writes DATA_FIFO with all but the final 6 bytes of data.
6. Starts the clock.
7. Waits for the clock to be stopped by the SD/MMC Controller, as indicated by STATUS:CLK_DIS.

8. Writes DATA_FIFO with the final 6 bytes of data.
9. Programs the MMC registers as described in Section 18.1.7.1.
10. Sets CMDCON:BUSY.
11. Starts the clock.
12. When finished, deselects the card.

No CRCs are used in the streaming mode.

18.1.10.9 Stream Read

For astream read, software:

1. Sends a Read command modifying:
 - a. CMDCON:
 - RESPONSE_FORMAT is programmed as 0x01, specifying Format R1
 - DATA_EN is set, indicating the command includes a data transfer
 - WRITE is cleared, specifying a Read
 - STREAM is set, specifying a Stream Transfer
 - BUSY is cleared, indicating no Busy signal is expected after the command
 - Unless an Initialization sequence is required, INITIALIZE is cleared.
 - b. The Block Length register (BLK_LEN) is programmed with the number of bytes in the block.
2. Reads the response from RESPONSE_FIFO.
3. Waits for STATUS:FIFO_FULL to be set.
4. Reads the data from DATA_FIFO.
5. At completion of Read, sends STOP TRANSMISSION.
6. When finished, deselects the card.

18.2 Register Reference

18.2.1 Memory Map

Table 18-5 shows the memory mapping for the SD/MMC Controller operational registers. The base address for the SD/MMC Controller is 0x8000.0100.

Table 18-5. SD/MMC Memory Map

ADDRESS OFFSET	NAME	DESCRIPTION
0x00	CLKC	Clock control register
0x04	STATUS	Controller status register
0x08	RATE	SD/MMC clock divider register
0x0C	PREDIV	SD/MMC predivide register
0x10	///	Reserved — Do Not Access
0x14	CMDCON	Command control register
0x18	RES_TO	Response timeout register
0x1C	READ_TO	Read timeout register
0x20	BLK_LEN	Block length register
0x24	NOB	Block number of blocks register
0x28	INT_STATUS	Indicates the cause of the Interrupt
0x2C	EOI	Write to clear the Interrupt Status
0x30	///	Reserved — Do Not Access
0x34	INT_MASK	Interrupt mask register
0x38	CMD	Command number register
0x3C	ARGUMENT	Command argument register
0x40	RES_FIFO	Response FIFO location
0x44	///	Reserved — Do Not Access
0x48	DATA_FIFO	FIFO data register
0x4C	///	Reserved — Do Not Access

18.2.2 Register Descriptions

The following sections describe the operating registers in the SD/MMC Controller.

18.2.2.1 Clock Control Register (CLKC)

This register allows the SD/MMC clock to be started and stopped.

Table 18-6. CLKC Register

BIT	31	30	29	28	27	26	25	24	23	22	21	20	19	18	17	16
FIELD	///															
RESET	0	0	0	0	0	0	0	0	0	0	0	0	0	0	0	0
RW	RW	RW	RW	RW	RW	RW	RW	RW	RW	RW	RW	RW	RW	RW	RW	RW
BIT	15	14	13	12	11	10	9	8	7	6	5	4	3	2	1	0
FIELD	///														START_CLK	STOP_CLK
RESET	0	0	0	0	0	0	0	0	0	0	0	0	0	0	0	0
RW	RW	RW	RW	RW	RW	RW	RW	RW	RW	RW	RW	RW	RW	RW	WO	RW
ADDR	0x8000.0100															

Table 18-7. CLKC Fields

BITS	NAME	DESCRIPTION
31: 2	///	Reserved Reading returns 0. Write the reset value.
1	START_CLK	Start Clock Use this bit to start the SD/MMC clock. This write-only bit is self clearing after the clock starts. 1 = Start Clock 0 = No effect
0	STOP_CLK	Stop Clock This bit stops the SD/MMC clock. 1 = Stop Clock 0 = No effect

18.2.2.2 Status Register (STATUS)

This register provides status to the SD/MMC Controller for a number of functions.

Table 18-8. STATUS Register

BIT	31	30	29	28	27	26	25	24	23	22	21	20	19	18	17	16
FIELD	///															
RESET	0	0	0	0	0	0	0	0	0	0	0	0	0	0	0	0
RW	RO	RO	RO	RO	RO	RO	RO	RO	RO	RO	RO	RO	RO	RO	RO	RO
BIT	15	14	13	12	11	10	9	8	7	6	5	4	3	2	1	0
FIELD	///		ENDRESP	DONE	TRANDONE	///		CLK_DIS	FIFO_FULL	FIFO_EMPTY	CRC	///	CRCREAD	CRCWRITE	TORES	TOREAD
RESET	0	0	0	0	0	0	0	0	0	1	0	0	0	0	0	0
RW	RO	RO	RO	RO	RO	RO	RO	RO	RO	RO	RO	RO	RO	RO	RO	RO
ADDR	0x8000.0104															

Table 18-9. STATUS Fields

BITS	NAME	DESCRIPTION
31:14	///	Reserved Reading returns 0. Write the reset value.
13	ENDRESP	End Command Response 1 = End Command Response received 0 = End Command Response not received
12	DONE	Program Done End of read and write operations 1 = Read/Write operation concluded 0 = Read/Write operation in progress
11	TRANDONE	Data Transfer Done Indicates that the last transfer has completed. 1 = Data transfer complete (Read) or Data CRC Response Check complete 0 = Current transfer not complete
10:9	///	Reserved Reading returns 0. Write the reset value.
8	CLK_DIS	Clock Disabled This bit reports the current SD/MMC Clock state: 1 = The SD/MMC clock is stopped. 0 = The SD/MMC clock is running.
7	FIFO_FULL	FIFO Full Application buffer full. If the MMCCLK stops during a multi-block receive due to the FIFO Full bit being set, software must empty the FIFO before re-enabling the MMCCLK. If the FIFO is not emptied, data can be dropped. 1 = Application buffer full 0 = Application buffer not full

Table 18-9. STATUS Fields

BITS	NAME	DESCRIPTION
6	FIFO_EMPTY	<p>FIFO Empty Application buffer empty</p> <p>IMPORTANT: This flag lags the final read from the FIFO by 2 PREDIV clocks and 1 PCLK. If this flag is read immediately after reading the last FIFO entry, it may not yet be set. Therefore, always delay at least 1 PCKL between reading the FIFO and checking this flag.</p> <p>1 = Application buffer empty 0 = Application buffer not empty</p>
5	CRC	<p>Response CRC error</p> <p>1 = CRC error 0 = No error</p>
4	///	Reserved Reading returns 0. Write the reset value.
3	CRCREAD	<p>CRC Read Error A CRC error occurred during a Read operation</p> <p>1 = CRC error during Read operation 0 = No error</p>
2	CRCWRITE	<p>CRC Write Error A CRC error occurred during a Write operation</p> <p>1 = CRC error during Write operation 0 = No error</p>
1	TORES	<p>Response Time Out Time out expired before receiving a response</p> <p>1 = TORES error 0 = No error</p>
0	TOREAD	<p>Read Time Out Time out expired before data returned on a Read operation</p> <p>1 = TOREAD error 0 = No error</p>

18.2.2.3 Clock Rate Divisor Register (RATE)

This register determines the SD/MMC output clock frequency, (normally 25 MHz after reset). This register must only be written while the clock is stopped (CLK_DIS= 1). Writing to this register while CLK_DIS = 0 is not allowed and results in undefined behavior.

Table 18-10. RATE Register

BIT	31	30	29	28	27	26	25	24	23	22	21	20	19	18	17	16
FIELD	///															
RESET	0	0	0	0	0	0	0	0	0	0	0	0	0	0	0	0
RW	RO	RO	RO	RO	RO	RO	RO	RO	RO	RO	RO	RO	RO	RO	RO	RO
BIT	15	14	13	12	11	10	9	8	7	6	5	4	3	2	1	0
FIELD	///												RATE			
RESET	0	0	0	0	0	0	0	0	0	0	0	0	0	1	1	0
RW	RO	RO	RO	RO	RO	RO	RO	RO	RO	RO	RO	RO	RO	RW	RW	RW
ADDR	0x8000.0108															

Table 18-11. RATE Fields

BITS	NAME	DESCRIPTION
31:3	///	Reserved Reading returns 0. Write the reset value.
2:0	RATE	End Command Response The value in this field sets the clock rate for the SD/MMC Clock. 000 = HCLK 001 = 1/2 HCLK 010 = 1/4 HCLK 011 = 1/8 HCLK 100 = 1/16 HCLK 101 = 1/32 HCLK 110 = 1/64 HCLK 111 = INVALID: Do not program this value

18.2.2.4 Clock Predivide Register (PREDIV)

The contents of this register provide a divisor for the clock input to the SD/MMC Peripheral. The output of this stage is logically ANDed with STATUS:CLK_DIS to provide the SD/MMC Master Clock which will then be further divided based on the RATE register. Also in this register is the SD/MMC Enable bit and the APB Read Enable bit.

Table 18-12. PREDIV Register

BIT	31	30	29	28	27	26	25	24	23	22	21	20	19	18	17	16
FIELD	///															
RESET	0	0	0	0	0	0	0	0	0	0	0	0	0	0	0	0
RW	RO	RO	RO	RO	RO	RO	RO	RO	RO	RO	RO	RO	RO	RO	RO	RO
BIT	15	14	13	12	11	10	9	8	7	6	5	4	3	2	1	0
FIELD	///											APB_RD_EN	MMC_EN	MMC_PREDIV		
RESET	0	0	0	0	0	0	0	0	0	0	0	0	1	0	0	0
RW	RO	RO	RO	RO	RO	RO	RO	RO	RO	RO	RW	RW	RW	RW	RW	RW
ADDR	0x8000.010C															

Table 18-13. PREDIV Fields

BITS	NAME	DESCRIPTION
31:6	///	Reserved Reading returns 0. Write the reset value.
5	APB_RD_EN	APB Read Enable Enables direct reading of the SD/MMC FIFO contents, as opposed to via DMA. 1 = APB Direct Read enabled 0 = APB Direct Read disabled
4	MMC_EN	SD/MMC Enable Enables PCLK to the SD/MMC peripheral 1 = SD/MMC Controller enabled 0 = SD/MMC Controller disabled
3:0	MMC_PREDIV	SD/MMC Predivisor Provides the divisor for the SD/MMC predivide Stage. See Table 18-1. 0000 = Invalid: Do not program this value 0001 = HCLK 0010 = HCLK/2 0011 = HCLK/3 0100 = HCLK/4 0101 = HCLK/5 0110 = HCLK/6 0111 = HCLK/7 1000 = HCLK/8

18.2.2.5 Command and Control Register (CMDCON)

The CMDCON register allows software to program many functions of the SD/MMC Controller. The MMCCLK must be stopped prior to writing to the CMDCON register, and should not be started until his register is written with the correct data. Starting the MMCCLK prematurely can result in erroneous data transmission.

Table 18-14. CMDCON Register

BIT	31	30	29	28	27	26	25	24	23	22	21	20	19	18	17	16
FIELD	///															
RESET	0	0	0	0	0	0	0	0	0	0	0	0	0	0	0	0
RW	RO	RO	RO	RO	RO	RO	RO	RO	RO	RO	RO	RO	RO	RO	RO	RO
BIT	15	14	13	12	11	10	9	8	7	6	5	4	3	2	1	0
FIELD	///		ABORT	SET_READ_WRITE	MULTI_BLK4_INTEN	READ_WAIT_EN	SDIO_EN	BIG_ENDIAN	WIDE	INITIALIZE	BUSY	STREAM	WRITE	DATA_EN	RESPONSE_FORMAT	
RESET	0	0	0	0	0	0	0	0	0	0	0	0	0	0	0	0
RW	RO	RO	RW	RW	RW	RW	RW	RW	RW	RW	RW	RW	RW	RW	RW	RW
ADDR	0x8000.0114															

Table 18-15. CMDCON Fields

BITS	NAME	DESCRIPTION
31:14	///	Reserved Reading returns 0. Write the reset value.
13	ABORT	Abort Transaction 1 = Abort 0 = Normal operation
12	SET_READ_WRITE	Set Transaction to Read or Write Set transaction mode to Read or Write 1 = Write 0 = Read
11	MULTI_BLK4_INTEN	Multiple Block Interrupt Enable 1 = Multiple Block Interrupt Enabled 0 = Multiple Block Interrupt Disabled
10	READ_WAIT_EN	Enable Read Wait States 1 = Read Wait States Enabled 0 = Read Wait States Disabled
9	SDIO_EN	Enable SD Input/Output 1 = SD Input/Output Enabled 0 = SD Input/Output Disabled

Table 18-15. CMDCON Fields

BITS	NAME	DESCRIPTION
8	BIG_ENDIAN	Enable Big Endian Mode for MMC 1 = Big Endian Mode Enabled 0 = Little Endian Mode Enabled
7	WIDE	Enable Wide Mode for SD 1 = Wide Mode Enabled 0 = Wide Mode Disabled
6	INITIALIZE	Enable 80-bit Initialization Sequence 1 = Initialization Sequence Enabled 0 = Initialization Sequence Disabled
5	BUSY	Busy Set if a busy signal is expected after the current command 1 = Busy Signal expected following current command 0 = No Busy Signal expected
4	STREAM	Stream Mode 1 = Current transfer mode is Stream 0 = Current transfer mode is Block
3	WRITE	Write Transfer Mode 1 = Write 0 = Read
2	DATA_EN	Data Transfer Enable Set if the 1 = Current command includes a data transfer 0 = Current command does not include a data transfer
1:0	RESPONSE_FORMAT	See Table 18-16.

Table 18-16. RESPONSE_FORMAT Values

DESCRIPTION	RESPONSE_FORMAT
No response	00
Format R1	01
Format R2	10
Format R3	11

18.2.2.6 Response Timeout Register (RES_TO)

This register specifies the number of SD/MMC clocks, following a command, before the host asserts the timeout error for the received response.

Table 18-17. RES_TO Register

BIT	31	30	29	28	27	26	25	24	23	22	21	20	19	18	17	16
FIELD	///															
RESET	0	0	0	0	0	0	0	0	0	0	0	0	0	0	0	0
RW	RO	RO	RO	RO	RO	RO	RO	RO	RO	RO	RO	RO	RO	RO	RO	RO
BIT	15	14	13	12	11	10	9	8	7	6	5	4	3	2	1	0
FIELD	///										RES_TO					
RESET	0	0	0	0	0	0	0	0	0	1	0	0	0	0	0	0
RW	RO	RO	RO	RO	RO	RO	RO	RO	RO	RW	RW	RW	RW	RW	RW	RW
ADDR	0x8000.0118															

Table 18-18. RES_TO Fields

BITS	NAME	DESCRIPTION
31:7	///	Reserved Reading returns 0. Write the reset value.
6:0	RES_TO	Response Timeout The value programmed into these seven bits is the number of SD/MMC clock cycles to wait, following a command, before asserting the Response Timeout Error.

18.2.2.7 Read Timeout Register (READ_TO)

This register specifies the number of SD/MMC clocks, following a command, before the host asserts the timeout error for the received response.

Table 18-19. READ_TO Register

BIT	31	30	29	28	27	26	25	24	23	22	21	20	19	18	17	16
FIELD	///															
RESET	0	0	0	0	0	0	0	0	0	0	0	0	0	0	0	0
RW	RO	RO	RO	RO	RO	RO	RO	RO	RO	RO	RO	RO	RO	RO	RO	RO
BIT	15	14	13	12	11	10	9	8	7	6	5	4	3	2	1	0
FIELD	READ_TO															
RESET	1	1	1	1	1	1	1	1	1	1	1	1	1	1	1	1
RW	RW	RW	RW	RW	RW	RW	RW	RW	RW	RW	RW	RW	RW	RW	RW	RW
ADDR	0x8000.011C															

Table 18-20. READ_TO Fields

BITS	NAME	DESCRIPTION
31:16	///	Reserved Reading returns 0. Write the reset value.
15:0	READ_TO	Read Timeout This 16-bit value sets the number of SD/MMC clocks, following a command, before the host asserts the Read Timeout Error for the received response. The units are (SD/MMC clocks/256).

18.2.2.8 Block Length Register (BLK_LEN)

This register is used to specify the block length, in bytes.

Table 18-21. BLK_LEN Register

BIT	31	30	29	28	27	26	25	24	23	22	21	20	19	18	17	16
FIELD	///															
RESET	0	0	0	0	0	0	0	0	0	0	0	0	0	0	0	0
RW	RO	RO	RO	RO	RO	RO	RO	RO	RO	RO	RO	RO	RO	RO	RO	RO
BIT	15	14	13	12	11	10	9	8	7	6	5	4	3	2	1	0
FIELD	///						BLK_LEN									
RESET	0	0	0	0	0	0	0	0	0	0	0	0	0	0	0	0
RW	RO	RO	RO	RO	RO	RO	RW	RW	RW	RW	RW	RW	RW	RW	RW	RW
ADDR	0x8000.0120															

Table 18-22. BLK_LEN Fields

BITS	NAME	DESCRIPTION
31:10	///	Reserved Reading returns 0. Write the reset value.
9:0	BLK_LEN	Block Length Block length setting, in bytes, for block transfers.

18.2.2.9 Number of Blocks Register (NOB)

The NOB register allows software to specify the number of blocks in transfers.

To ensure that the correct value of BLK_LEN is read, the following sequence should always be used:

1. Issue a CMD7 to select card
2. Clock stops at end of command
3. BLK_LEN is updated to 64 bytes for GET_STATUS command
4. Start the clock
5. Stop the clock
6. CDC register is updated with new GET_STATUS command
7. Clock is started

Table 18-23. NOB Register

BIT	31	30	29	28	27	26	25	24	23	22	21	20	19	18	17	16
FIELD	///															
RESET	0	0	0	0	0	0	0	0	0	0	0	0	0	0	0	0
RW	RO	RO	RO	RO	RO	RO	RO	RO	RO	RO	RO	RO	RO	RO	RO	RO
BIT	15	14	13	12	11	10	9	8	7	6	5	4	3	2	1	0
FIELD	NOB															
RESET	0	0	0	0	0	0	0	0	0	0	0	0	0	0	0	0
RW	RW	RW	RW	RW	RW	RW	RW	RW	RW	RW	RW	RW	RW	RW	RW	RW
ADDR	0x8000.0124															

Table 18-24. NOB Fields

BITS	NAME	DESCRIPTION
31:16	///	Reserved Reading returns 0. Write the reset value.
15:0	NOB	Number of Blocks The number of blocks in the transfer is programmed into these 16 bits.

18.2.2.10 Interrupt Status Register (INT_STATUS)

This register shows the status of the six SD/MMC Controller interrupts, after the INT_MASK register has been applied. Any interrupt that is masked in INT_MASK will always show as deasserted in this register.

Table 18-25. INT_STATUS Register

BIT	31	30	29	28	27	26	25	24	23	22	21	20	19	18	17	16	
FIELD	///																
RESET	0	0	0	0	0	0	0	0	0	0	0	0	0	0	0	0	
RW	RO	RO	RO	RO	RO	RO	RO	RO	RO	RO	RO	RO	RO	RO	RO	RO	
BIT	15	14	13	12	11	10	9	8	7	6	5	4	3	2	1	0	
FIELD	///											SDIO_INT	BUS_CLOCK_STOPPED	BUF_READY	END_CMD	DONE	DATA_TRAN
RESET	0	0	0	0	0	0	0	0	0	0	0	0	0	0	0	0	
RW	RO	RO	RO	RO	RO	RO	RO	RO	RO	RO	RO	RO	RO	RO	RO	RO	
ADDR	0x8000.0128																

Table 18-26. SD/MMC INT_STATUS Register

BITS	NAME	DESCRIPTION
31:6	///	Reserved Reading returns 0. Write the reset value.
5	SDIO_INT	SD Interrupt 1 = Interrupt asserted 0 = Interrupt not asserted or masked
4	BUS_CLOCK_STOPPED	Bus Clock Stopped Interrupt 1 = Interrupt asserted 0 = Interrupt not asserted or masked
3	BUF_READY	Buffer Ready Interrupt 1 = Interrupt asserted 0 = Interrupt not asserted or masked
2	END_CMD	End Command Response Interrupt 1 = Interrupt asserted 0 = Interrupt not asserted or masked
1	DONE	Program Done Interrupt 1 = Interrupt asserted 0 = Interrupt not asserted or masked
0	DATA_TRAN	Data Transfer Done Interrupt 1 = Interrupt asserted 0 = Interrupt not asserted or masked

18.2.2.11 End of Interrupt Register (EOI)

Write to this register to clear the relevant INT_STATUS register bits.

Table 18-27. EOI Register

BIT	31	30	29	28	27	26	25	24	23	22	21	20	19	18	17	16	
FIELD	///																
RESET	0	0	0	0	0	0	0	0	0	0	0	0	0	0	0	0	
RW	RO	RO	RO	RO	RO	RO	RO	RO	RO	RO	RO	RO	RO	RO	RO	RO	
BIT	15	14	13	12	11	10	9	8	7	6	5	4	3	2	1	0	
FIELD	///										SDIO_INT	///			END_CMD	DONE	DATA_TRAN
RESET	0	0	0	0	0	0	0	0	0	0	0	0	0	0	0	0	
RW	RO	RO	RO	RO	RO	RO	RO	RO	RO	RO	RW	RO	RO	RW	RW	RW	
ADDR	0x8000.012C																

Table 18-28. SD/MMC EOI Fields

BITS	NAME	DESCRIPTION
31:6	///	Reserved Reading returns 0. Write the reset value.
5	SDIO_INT	SD Interrupt Clear Writing any value to this bit clears the interrupt in the INT_STATUS register.
4:3	///	Reserved Reading returns 0. Write the reset value.
2	END_CMD	End Command Response Interrupt Clear Writing any value clears the interrupt in the INT_STATUS register.
1	DONE	Program Done Interrupt Clear Writing any value to this bit clears the interrupt in the INT_STATUS register.
0	DATA_TRAN	Data Transfer Done Interrupt Clear Writing any value to this bit clears the interrupt in the INT_STATUS register.

18.2.2.12 Interrupt Mask Register (INT_MASK)

The INT_MASK register allows individually masking any of the five interrupts. Programming the associated mask bit to 0 causes the interrupt to be masked, and not appear in the INT_STATUS register. Following reset, all interrupts are masked.

Table 18-29. INT_MASK Register

BIT	31	30	29	28	27	26	25	24	23	22	21	20	19	18	17	16	
FIELD	///																
RESET	0	0	0	0	0	0	0	0	0	0	0	0	0	0	0	0	
RW	RO	RO	RO	RO	RO	RO	RO	RO	RO	RO	RO	RO	RO	RO	RO	RO	
BIT	15	14	13	12	11	10	9	8	7	6	5	4	3	2	1	0	
FIELD	///											SDIO_INT	BUS_CLOCK_STOPPED	BUF_READY	END_CMD	DONE	DATA_TRAN
RESET	0	0	0	0	0	0	0	0	0	0	0	0	0	0	0	0	
RW	RO	RO	RO	RO	RO	RO	RO	RO	RO	RO	RW	RW	RW	RW	RW	RW	
ADDR	0x8000.0134																

Table 18-30. INT_MASK Fields

BITS	NAME	DESCRIPTION
31:6	///	Reserved Reading returns 0. Write the reset value.
5	SDIO_INT	SD Interrupt Mask 1 = Interrupt not masked 0 = Interrupt masked
4	BUS_CLOCK_STOPPED	Bus Clock Stopped Interrupt Mask Indicates that the Controller has stopped sending out data 1 = Interrupt not masked 0 = Interrupt masked
3	BUF_READY	Buffer Ready Interrupt Mask 1 = Interrupt not masked 0 = Interrupt masked
2	END_CMD	End Command Response Interrupt Mask 1 = Interrupt not masked 0 = Interrupt masked
1	DONE	Program Done Interrupt Mask 1 = Interrupt not masked 0 = Interrupt masked
0	DATA_TRAN	Data Transfer Done Interrupt Mask 1 = Interrupt not masked 0 = Interrupt masked

18.2.2.13 Command Register (CMD)

This register specifies the command number.

Table 18-31. CMD Register

BIT	31	30	29	28	27	26	25	24	23	22	21	20	19	18	17	16
FIELD	///															
RESET	0	0	0	0	0	0	0	0	0	0	0	0	0	0	0	0
RW	RO	RO	RO	RO	RO	RO	RO	RO	RO	RO	RO	RO	RO	RO	RO	RO
BIT	15	14	13	12	11	10	9	8	7	6	5	4	3	2	1	0
FIELD	///										CMD_NUM					
RESET	0	0	0	0	0	0	0	0	0	0	0	0	0	0	0	0
RW	RO	RO	RO	RO	RO	RO	RO	RO	RO	RO	RW	RW	RW	RW	RW	RW
ADDR	0x8000.0138															

Table 18-32. CMD Fields

BITS	NAME	DESCRIPTION
31:6	///	Reserved Reading returns 0. Write the reset value.
5:0	CMD_NUM	Command Number The SD/MMC command number is programmed into this field.

18.2.2.14 Argument Register (ARGUMENT)

This register is used to hold the argument for the current command number.

Table 18-33. ARGUMENT Register

BIT	31	30	29	28	27	26	25	24	23	22	21	20	19	18	17	16
FIELD	ARGUMENT															
RESET	0	0	0	0	0	0	0	0	0	0	0	0	0	0	0	0
RW	RW	RW	RW	RW	RW	RW	RW	RW	RW	RW	RW	RW	RW	RW	RW	RW
BIT	15	14	13	12	11	10	9	8	7	6	5	4	3	2	1	0
FIELD	ARGUMENT															
RESET	0	0	0	0	0	0	0	0	0	0	0	0	0	0	0	0
RW	RW	RW	RW	RW	RW	RW	RW	RW	RW	RW	RW	RW	RW	RW	RW	RW
ADDR	0x8000.0138															

Table 18-34. ARGUMENT Fields

BITS	NAME	DESCRIPTION
31:0	ARGUMENT	Command Argument Argument for the current command

18.2.2.15 Response FIFO Register (RES_FIFO)

Software reads this register to obtain the MMC card response following each command sent by the MMC Controller. This register is an eight-word-deep FIFO with the response occupying the least-significant 16-bits of each word. The complete response is obtained by reading this address the exact number of times required to retrieve the expected response.

IMPORTANT: Reading beyond the expected response length will result in erroneous results for subsequent reads of this register.

At reset, this register defaults to 0x00000000.

Data is read as the most significant half-word though the least significant half-word of the response. See Figure 18-4 for details.

Table 18-35. RES_FIFO Register

BIT	31	30	29	28	27	26	25	24	23	22	21	20	19	18	17	16
FIELD	///															
RESET	0	0	0	0	0	0	0	0	0	0	0	0	0	0	0	0
RW	RO	RO	RO	RO	RO	RO	RO	RO	RO	RO	RO	RO	RO	RO	RO	RO
BIT	15	14	13	12	11	10	9	8	7	6	5	4	3	2	1	0
FIELD	RESPONSE															
RESET	0	0	0	0	0	0	0	0	0	0	0	0	0	0	0	0
RW	RO	RO	RO	RO	RO	RO	RO	RO	RO	RO	RO	RO	RO	RO	RO	RO
ADDR	0x8000.0140															

Table 18-36. RES_FIFO Fields

BITS	NAME	DESCRIPTION
31:16	///	Reserved Reading returns 0. Write the reset value.
15:0	RESPONSE	Response to Command The response code to the last sent command is contained in this field.

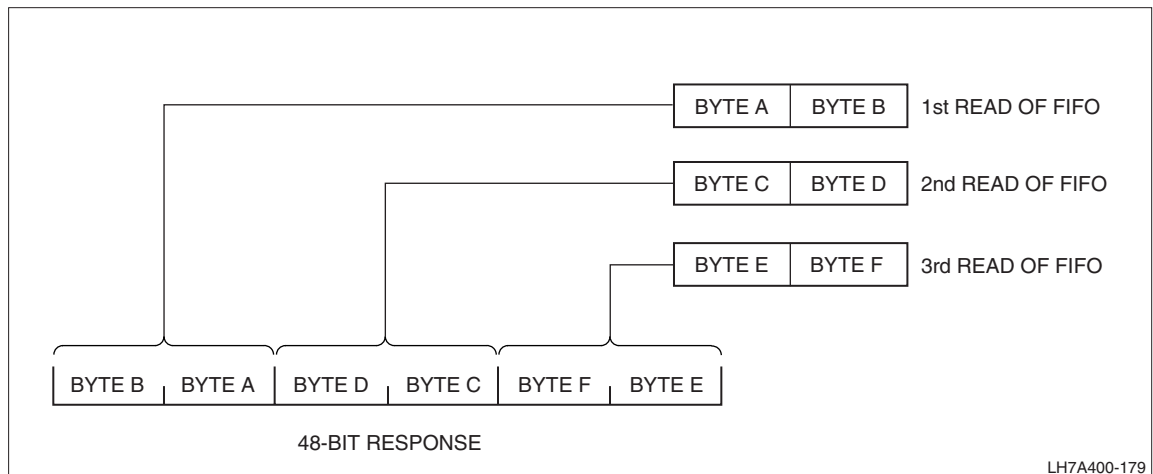


Figure 18-4. Byte Order For the Response FIFO Register

18.2.2.16 Data FIFO Register (DATA_FIFO)

On reset this register may be in an undefined state.

This register is used to transfer data to and from the Data FIFO. The endianness can be controlled by the BIG_ENDIAN bit in the CMDCON register (default is little endian).

Table 18-37. Data FIFO Register

BIT	31	30	29	28	27	26	25	24	23	22	21	20	19	18	17	16
FIELD	///															
RESET	—	—	—	—	—	—	—	—	—	—	—	—	—	—	—	—
RW	RO	RO	RO	RO	RO	RO	RO	RO	RO	RO	RO	RO	RO	RO	RO	RO
BIT	15	14	13	12	11	10	9	8	7	6	5	4	3	2	1	0
FIELD	DATA															
RESET	—	—	—	—	—	—	—	—	—	—	—	—	—	—	—	—
RW	RW	RW	RW	RW	RW	RW	RW	RW	RW	RW	RW	RW	RW	RW	RW	RW
ADDR	0x8000.0148															

Table 18-38. Data FIFO Fields

BITS	NAME	DESCRIPTION
31:16	///	Reserved Reading returns 0. Write the reset value.
15:0	DATA	Data The data for transfer to the Data FIFO, or read from the Data FIFO, is contained in this field.

Chapter 19

Universal Serial Bus

(USB) Device

19.1 Theory of Operation

The LH7A404 USB Device block is compliant to the USB 2.0 Full Speed specification and compatible with both OpenHCI and Intel UHCI standards. This USB Device supports USB-standard Full-Speed (12 Mbit/s) operation, and SUSPEND and RESUME signalling. Figure 19-1 shows the USB Device block diagram. The individual blocks in the diagram are described in the subsequent sections.

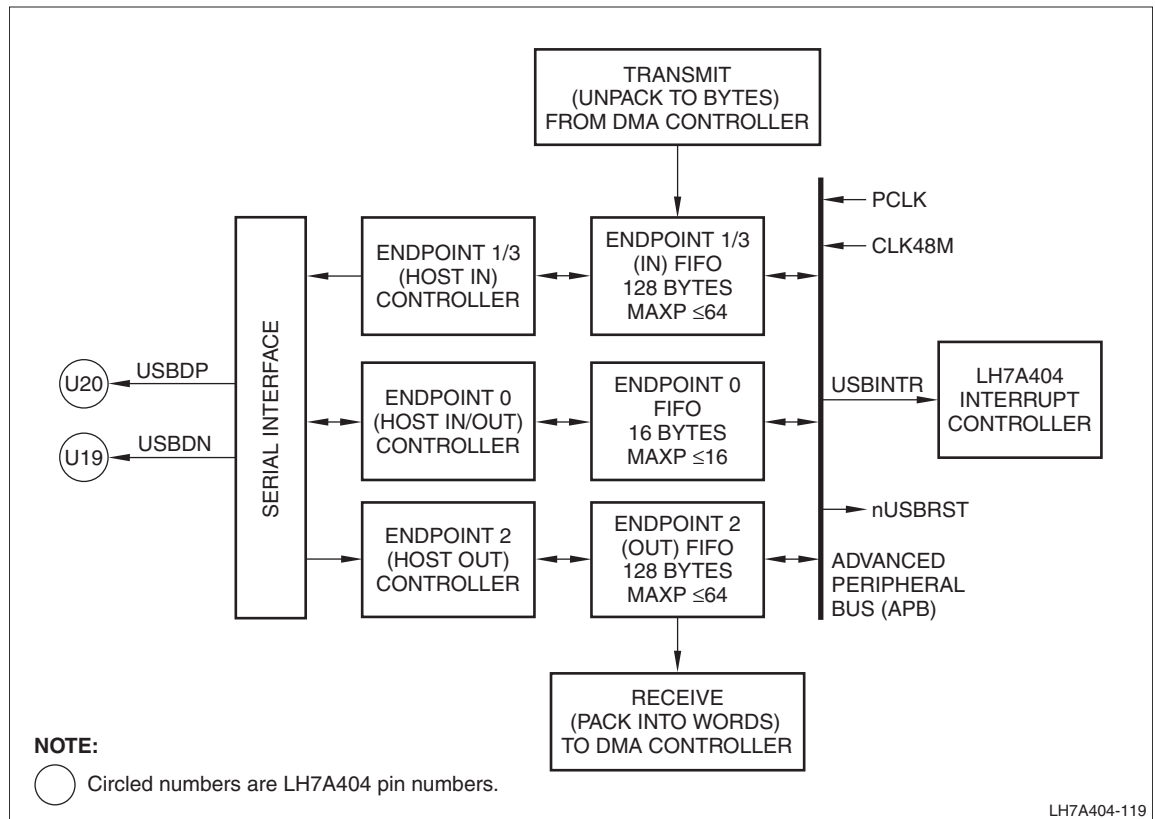


Figure 19-1. USB Device Block Diagram

19.1.1 Architecture

The LH7A404 USB port functions only as a USB Device. All USB communications are managed by one or more external USB Hosts.

19.1.1.1 Endpoints

Communications take place between the Host and the LH7A404 Client via data 'pipes'. Multiple communication pipes can exist between a Host and the Client, with each pipe terminating at the LH7A404 USB Device in an 'endpoint'.

The LH7A404 USB Device has four endpoints, Endpoint 0 (EP0) through Endpoint 3 (EP3). Each endpoint has a FIFO to facilitate communications. Figure 19-2 presents a graphical representation of these endpoints, and Table 19-1 describes the endpoints and their function. Note that the direction type associated with the endpoints is from the perspective of the Host. For example, an IN endpoint terminates a data pipe transferring data from the LH7A404 Client to the Host.

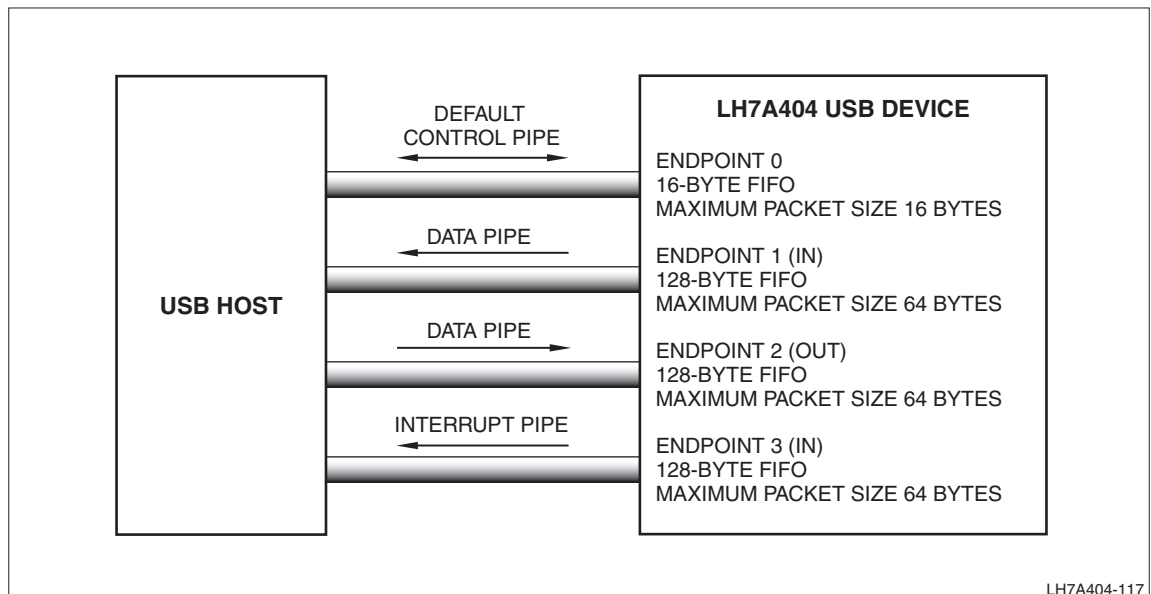


Figure 19-2. USB Communication Endpoints

Table 19-1. Endpoint Function

ENDPOINT	TYPE	FUNCTION
EP0	IN/OUT	Control endpoint. EP0 is always enabled when power is applied. The USB Host uses EP0 for initial configuration and for control.
EP1	IN	EP1 handles Bulk IN transfers. Transfers of large data blocks from the LH7A404 USB Device into the USB Host take place through the pipe terminating in EP1.
EP2	OUT	EP2 handles Bulk OUT transfers. Transfers of large data blocks from the USB Host into the LH7A404 USB Device take place through the pipe terminating in EP2.
EP3	IN	EP3 handles Interrupt IN transfers. The EP3 pipe allows the LH7A404 USB Device to interrupt the USB Host.

19.1.1.2 FIFOs

Each data pipe endpoint has a FIFO to assemble USB serial data into parallel data to be used by the LH7A404 DMA controller. The FIFOs and maximum packet size for each endpoint are described in Table 19-2.

Table 19-2. Endpoint FIFO Characteristics

ENDPOINT	FIFO SIZE	MAXIMUM PACKET SIZE
EP0	16 Bytes	16 Bytes
EP1	128 Bytes	64 Bytes
EP2	128 Bytes	64 Bytes
EP3	128 Bytes	64 Bytes

19.1.1.3 Serial Interface

The LH7A404 USB Device Serial Interface handles the direct USB interface. The Serial Interface functions include:

- Decoding and encoding
- Cyclic redundancy check (CRC) generation and checking
- Bit stuffing
- Endpoint address decoding for USB packets
- Interface signals for an external USB Transceiver.

The Serial Interface incorporates differential USB transceivers implementing a USB-standard Full Speed interface, allowing communication at up to 12 Mb/s.

19.1.1.4 DMA Channels

Two DMA channels are available for bulk data transfers in byte-wide format; one channel for transmit and one for receive. Commands requiring large data quantities can be completed with low processor overhead. To use the DMA for data transfers, the data buffers are first configured in SDRAM, then the DMA interface is programmed with base address and byte counts pointing to the buffers. When buffers have been allocated and the DMA interface programmed, the USB endpoint controllers can be configured. The data transfers between receive and transmit FIFOs are made automatically until either:

- The transfer is stopped by software.
- The data block requirements are not met, as indicated by the MAXP, Control/Status, and COUNTx registers. When the size of a USB data block is larger than the buffers in the SDRAM, the DMA controller can be allocated fresh data buffers as required.

19.1.2 Programming the USB Device

The USB Device is programmed, and data transfer is conducted via a set of registers. These registers are summarized in the following sections; register details begin in Section 19.2.

19.1.2.1 USB Transactions

Communications over the USB are programmed using a control/status register and a Maximum Packet Size (MAXP) register. The OUT endpoints also have a Write Count Register. These register names are:

- INCSR (IN Status and Control Registers)
- OUTCSR (OUT Status and Control Registers)
- INMAXP (IN Maximum Packet size Register)
- OUTMAXP (OUT Endpoint MAXP Register)
- COUNTx (OUT Write Count Registers).

19.1.2.2 AHB Transactions

Communications between the USB Device and the LH7A404 CPU over the AHB utilize another set of registers to report the CPU interrupt status.

The USB core interrupt registers are:

- IN Interrupt Registers
- OUT Interrupt Registers
- USB Interrupt Registers
- Enable Registers for each of the Interrupt registers.

Software writes a 1 to each asserted interrupt field to clear the interrupts. When interrupted, software must perform the these steps:

1. Reads all the interrupt registers.
2. Writes back to all the registers.
3. Performs appropriate action for specified interrupt
4. Process the USB Interrupt register (must be the last step).

For EP0, a bidirectional endpoint (IN or OUT), the INMAXP, IN Interrupt Registers are used regardless of the direction of the endpoint. The associated Control and Status registers correspond to the direction of the endpoint. EP[3:1] each have a dedicated bank of interrupt status and enable registers.

19.1.2.3 USB Reset

Upon power up, a USB Host Controller must first send a RESET command to the LH7A404 USB Device to automatically reset the USB Device I/O side and create an interrupt to the CPU. The LH7A404 then resets the USB registers. Both resets are asynchronous.

Care must be taken when responding to a reset however.

Figure 19-3 shows the connection of the USBDCP (pin U17) signal. An external 1.5 k Ω pull-up resistor is connected to USBDCP. At reset, the input to the internal transistor is 1, keeping the transistor off.

Software must write a 0 to the PMR:DCP_CTRL bit to turn this transistor on and pull the USBDP pin HIGH. Upon detecting the USBDP HIGH, the USB Host becomes aware of the LH7A404 USB Device. The Host sends a reset and in response, the LH7A404 sets an internal bit to signal that it has been recognized by the host. If at this point the LH7A404 is programmed to issue a reset, the bit will be cleared and the USB Device controller no longer recognizes that it is connected to a Host.

To avoid this situation, software must follow these steps in response to receiving a reset from the Host:

1. Program PMR:DCP_CTRL to 1 to disable the pullup.
2. Issue a reset.
3. Program PMR:DCP_CTRL to 0, connecting the pullup.

The USB Device will now communicate normally with the USB Host.

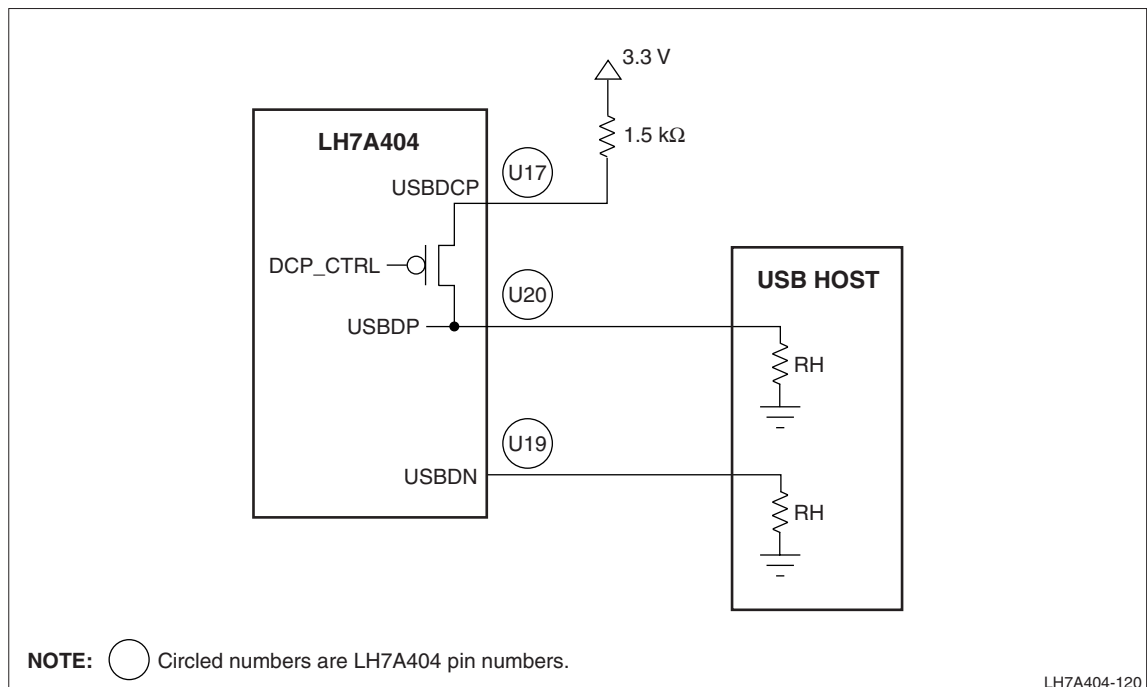


Figure 19-3. Host-Device Application Circuit

19.1.3 Operational Details

This section provides an overview of USB Device programming for normal operation. It is assumed that the usage of the USB (and DMA) is interrupt-driven as opposed to being poll-driven. There are several tasks involved, which are described below. Note that software must keep track of any transfers in progress and correctly load/store data payloads.

19.1.3.1 Initializing the USB

Upon power up, the USB Host sends a RESET to EP0. Upon receipt of that RESET, the LH7A404 must:

- Disable the USB
- Reset the APB and I/O sides of the USB
- Set the INDEX register to 0 (EP0)
 - Set the required MAXP value
- Set the INDEX register to 1 (EP1)
 - Set the required MAXP value
 - If using DMA for transmitting data, set USB_DMA_EN and AUTO_SET
- Set the INDEX register to 2 (EP2)
 - Set the required MAXP value
 - If using DMA for receiving data, set USB_DMA_EN and AUTO_CLR
- Set the INDEX register to 3 (EP3)
 - Set the required MAXP value
- Enable the RESET interrupt
- Enable the SUSPEND interrupt (this also enables the RESUME interrupt)
- Set the ENABLE_SUSPEND bit
- Enable the USB.

The USB Device is now ready to communicate with a USB Host.

19.1.3.2 Interrupt Servicing

The LH7A404 can receive seven different types of interrupts from the USB Device block. Servicing each interrupt is described in the following sections.

19.1.3.2.1 Servicing a RESET Interrupt

- Clear the interrupt.
- Cancel any transfers in progress.
- Purge the USB FIFOs (set the FIFO_FLUSH bit).
- Reset the USB I/O side.

19.1.3.2.2 Servicing a SUSPEND Interrupt

- Clear the interrupt.
- Disable the SUSPEND interrupt.
- If using DMA, disable the channel clock(s) to conserve power.

19.1.3.2.3 Servicing a RESUME Interrupt

- Clear the interrupt.
- Enable the SUSPEND interrupt.
- If using DMA, re-enable the channel clock(s).

19.1.3.2.4 Servicing an EP0 Interrupt

- Program the INDEX register to 0 (EP0).
- If a transfer is in progress and both IN_PKT_RDY and OUT_PKT_RDY are 0:
 - Fill the EP0 FIFO with the next data packet
 - Program the IN_PKT_RDY bit to 1
 - If this is the last packet, DATA_END should also be simultaneously programmed to 1.
- If SETUP_END is 1:
 - Abort the last transfer
 - Program the CLR_SETUP_END bit to 1.
- If SENT_STALL is 1:
 - Program the SEND_STALL bit to 0.
- If OUT_PKT_RDY is 1:
 - Read the data packet from the FIFO
 - Decode the command and perform the appropriate action.
 - Program the CLR_OUT and DATA_END bits to 1
 - If there was an error, the SEND_STALL bit must also be programmed to 1 simultaneously with CLR_OUT and DATA_END
- Clear the interrupt
- Program the INDEX register to 1
- If there is still data to send:
 - Load the FIFO with the next packet
 - Program IN_PKT_RDY to 1.

19.1.3.2.5 Servicing an EP2 Interrupt

- Set the INDEX register to 2
- If OUT_PKT_RDY is 1 and OUT_WRT_CNT is not 0:
 - Read the data from the FIFO.
- Clear the interrupt.

19.1.3.2.6 Servicing an EP3 Interrupt

Since EP3 is an INTERRUPT IN endpoint and is typically used for data transfers less than 64 bytes, servicing an EP3 interrupt is usually not necessary but to do so is similar to servicing an EP1 interrupt.

- Clear the interrupt
- Program the INDEX register to 3
- If there is still data to send:
 - Load the FIFO with the next packet
 - Program IN_PKT_RDY to 1.

19.1.3.3 Using DMA for BULK Data Transfers

DMA can be used for BULK data transfers on endpoints 1 and 2. When the DMA is enabled for these endpoints, no further EP1 or EP2 interrupts occur. Instead, the relevant DMA channel interrupt is used to handle data transfer. Each channel can be used in either single- or double-buffered mode. For sake of clarity, only single-buffered mode is described with a note at the end about how to extend this procedure to double-buffered mode.

19.1.3.3.1 Initializing the USB DMA Channels

- Enable the DMA channel clock (in the Clock and State Controller (CSC) PWRCNT register)
- Enable the DMA channel (in the DMA CONTROL register)
- Enable the NFB, CHERROR and STALL interrupts
- Enable the DMA interrupt (in the interrupt controller INTENS register).

19.1.3.3.2 Initiating a USB DMA TX Transfer (EP1)

- Set DMA MAXCNT0 to the number of bytes to send
 - If the size of the bulk transfer is greater than 64KB (maximum DMA transfer size), set the DMA MAXCNT0 to 64KB.
- Set the DMA BASE0 to the starting address of the buffer
- If necessary, enable the DMA channel clock.

19.1.3.3.3 Servicing a USB DMA TX Interrupt (EP1)

- Determine the cause of the interrupt:
 - If the cause was CHERROR (channel error), perform the appropriate action — for example abort/restart current transfer. Normally, for single-buffered mode, STALL will be the cause of the interrupt.
- If there is more data to send (e.g. transfer length greater than 64KB):
 - Set the DMA MAXCNT0 to the number of remaining bytes to send, or the maximum 64KB if the transfer is larger than 64KB
 - Set the DMA BASE0 to the starting address of the next block to transfer.
- If there is no more data to send, the DMA channel clock can optionally be disabled.

19.1.3.3.4 Servicing a USB DMA RX Interrupt (EP2)

- Determine the cause of the interrupt:
 - If the cause was CHERROR (channel error), perform the appropriate action — for example abort/restart current transfer. Generally, for single-buffered mode, STALL will be the cause of the interrupt.
 - Set the DMA MAXCNT0 to the desired buffer size.
- Set the DMA BASE0 to the address of this buffer.

19.1.3.4 Using Double-Buffered Mode

Using double-buffered mode is similar to single-buffered mode except that both BASE0/BASE1 and MAXCNT0/MAXCNT1 are used for transfers. The idea is that the DMA channel is provided with two buffers so that when one is full, it can immediately start using the other one. This causes an NFB interrupt which is processed the same as a STALL interrupt except that the correct BASE/MAXCNT pair must be updated. The NEXTBUFFER bit in the DMA STATUS register indicates which is the correct pair to update.

19.1.3.5 Example of Processing a Chapter 9 Command

Assuming that the USB is initialized, connected, has an address assigned to it, and there are no interrupts or errors:

- Host sends a SETUP packet.
- Host sends a DATA packet (80 06 00 01 00 001200).
- Device sends an ACK packet.
- An EP0 interrupt is triggered and the USB EP0 handler is called:
 - No transfer is in progress; SETUP_END and SENT_STALL are both 0 while OUT_PKT_RDY is 1.
- Handler reads the EP0 FIFO and decodes command (GET_DESCRIPTOR_DEVICE).
- Handler calls function to handle GET_DESCRIPTOR command.
- Function programs INDEX to 0.
- Function programs CLR_OUT.
- Function loads the first packet into the EP0 FIFO, keeping track of the next packet to be loaded.
- Function sets IN_PKT_RDY and returns.
- Handler exits.

The final step:

- Host sends an IN packet.
- Device sends a DATA packet.
- Host sends an ACK packet.
- An EP0 interrupt is triggered (once the USB programs IN_PKT_RDY to 0) and the EP0 handler is called:
 - A transfer is in progress; SETUP_END, SENT_STALL and OUT_PKT_RDY are all 0.
- Handler sets INDEX to 0.
- Handler loads the next packet into the EP0 FIFO, programs IN_PKT_RDY to 1 and exits. This last cycle continues until the last packet has been loaded in which case DATA_END is programmed to 1 along with IN_PKT_RDY.

19.1.3.6 Important Sent Stall Interrupt Issues

Upon receipt of a bad or unsupported EP0 request the USB Device issues a stall. An EP0 interrupt is sent to the VIC after the USB Device sends the stall on the USB. The USB Device is supposed to remain in the stall state until another setup packet is received. The USB Device then begins sending SOF occurs only once a millisecond, causing a new EP0 interrupt to be sent to the VIC. Once a valid and supported request is received, the interrupt generation ceases. However, it is possible for the bad or unsupported request to be the last request. The host will simply accept the stall as the answer to the request and issue no more setup packets. Traffic will now switch to the other endpoints and the interrupt will continue.

19.2 Register Reference

This section provides a the USB register memory mapping and bit fields.

19.2.1 Memory Map

The USB Device base address is 0x8000.0200. Table 19-3, Table 19-4, and Table 19-5 show the USB registers at offsets from this base address. Some of the USB registers are accessed using the INDEX register. These registers are listed in Table 19-4. The USB Reset register is mapped in the Clock and State Controller address area, at 0x8000.044C.

Table 19-3. USB Non-indexed Control Register Memory Map

ADDRESS OFFSET	NAME	DESCRIPTION
0x00	FAR	Function Address Register
0X04	PMR	Power Management Register
0X08	IIR	IN Interrupt Register Bank (EP0-EP3)
0X0C	///	Reserved Reading this address returns 0x00000000. Writing has no effect on the contents.
0X10	OIR	OUT Interrupt Register Bank (EP2)
0X14	///	Reserved Reading this address returns 0x00000000. Writing has no effect on the contents.
0X18	UIR	USB Interrupt Register Bank
0X1C	IIE	IN Interrupt Enable Register Bank (EP0-EP3)
0X20	///	Reserved Reading this address returns 0x00000000. Writing has no effect on the contents.
0X24	OIE	OUT Interrupt Enable Register Bank (EP2)
0X28	///	Reserved Reading this address returns 0x00000000. Writing has no effect on the contents.
0X2C	UIE	USB Interrupt Enable Register Bank
0X30	FRAME1	Frame Number1 Register
0X34	FRAME2	Frame Number2 Register
0X38	INDEX	Index Register
0X3C	///	Reserved Reading this address returns 0x00000000. Writing has no effect on the contents.

Table 19-4. USB Indexed Control Register Memory Map

ADDRESS OFFSET	NAME	DESCRIPTION
0x40	INMAXP	IN Maximum Packet Size Register
0X44	INCSR1	Control and Status Registers for EP0, EP1, and EP3
0X48	INCSR2	IN Control Register for EP1 and EP3
0X4C	OUTMAXP	OUT Maximum Packet Size Register
0X50	OUTCSR1	OUT Control and Status Register for EP2
0X54	OUTCSR2	OUT Control Register for EP2
0X58	COUNT1	OUT FIFO Write Count1 Register
0X5C-0X7C	///	Reserved Reading these addresses returns 0x00000000. Writing has no effect on the contents.

Table 19-5. USB FIFO Register Memory Map

ADDRESS OFFSET	NAME	DESCRIPTION
0x80	EP0FIFO	EP0 (Control, 8 Bytes)
0x84	EP1FIFO	EP1 (IN BULK, 64 Bytes)
0x88	EP2FIFO	EP2 (OUT BULK, 64 Bytes)
0x8C	EP3FIFO	EP3 (IN Interrupt, 64 Bytes)
0x90 - 0xFC	///	Reserved Reading these addresses returns 0x00000000. Writing has no effect on the contents.

19.2.1.1 Indexed Register Addressing

The registers listed in Table 19-4 are indirectly addressed. These registers are accessed via the INDEX register. For example, to access the EP1 INCSR1, do these steps:

1. Program the INDEX register to 1 (to address EP1).
2. Write the data at the INCSR1 address (in this example, 0x8000.0244).

More details about using the INDEX register appear in the discussion of the INDEX register and the registers requiring indexing.

19.2.2 Register Descriptions

This section describes the bit fields, reset values, and uses of the registers.

19.2.2.1 USB Device Reset Register (USBRESET)

The USB Reset register is mapped in the Clock and State Controller address area, at 0x8000.044C. This register allows the CPU to respond to a USB Host RESET command. When a USB RESET command is received, the software must first program the bits in USBRESET to 1, then program them to 0 to execute a USB RESET on either or both the APB and I/O sides.

Table 19-6. USBRESET Register

BIT	31	30	29	28	27	26	25	24	23	22	21	20	19	18	17	16
FIELD	///															
RESET	0	0	0	0	0	0	0	0	0	0	0	0	0	0	0	0
TYPE	RO	RO	RO	RO	RO	RO	RO	RO	RO	RO	RO	RO	RO	RO	RO	RO
BIT	15	14	13	12	11	10	9	8	7	6	5	4	3	2	1	0
FIELD	///														APBRESET	IORESET
RESET	0	0	0	0	0	0	0	0	0	0	0	0	0	0	0	0
TYPE	RO	RO	RO	RO	RO	RO	RO	RO	RO	RO	RO	RO	RO	RO	WO	WO
ADDR	0x8000.044C															

Table 19-7. USBRESET Fields

BIT	NAME	DESCRIPTION
31:2	///	Reserved Reading returns 0. Values written cannot be read.
1	APBRESET	USB APB Bus RESET Software programs this bit to 1, followed by 0 to issue a USB RESET to the APB control side. 1 = APB Bus Reset 0 = Normal operation
0	IORESET	USB I/O RESET Software programs this bit to 1, followed by 0 to issue a USB RESET to the I/O side. 1 = I/O Reset 0 = Normal operation

19.2.2.2 Function Address Register (FAR)

This register maintains the USB Device Address assigned by the host. Software must the FAR, by executing two steps:

- (1) Software must decode the SET_ADDRESS descriptor to obtain a new address (ADDR). Write the FAR with (ADDR | ADDR_UPDATE=0)
- (2) Write the FAR with (ADDR | ADDR_UPDATE=1)

This address is used for the next token. Software must set bit 7 to 1 when updating the Function Address to inform the LH7A04's USB Device block that the Function Address has been updated.

Table 19-8. FAR Register

BIT	31	30	29	28	27	26	25	24	23	22	21	20	19	18	17	16	
FIELD	///																
RESET	0	0	0	0	0	0	0	0	0	0	0	0	0	0	0	0	
TYPE	RO	RO	RO	RO	RO	RO	RO	RO	RO	RO	RO	RO	RO	RO	RO	RO	
BIT	15	14	13	12	11	10	9	8	7	6	5	4	3	2	1	0	
FIELD	///								ADDR_UPDATE	FUNCTION_ADDR							
RESET	0	0	0	0	0	0	0	0	0	0	0	0	0	0	0	0	
TYPE	RO	RO	RO	RO	RO	RO	RO	RO	RW	RW	RW	RW	RW	RW	RW	RW	
ADDR	0x8000.0200																

Table 19-9. FAR Fields

BIT	NAME	DESCRIPTION
31:8	///	Reserved Reading returns 0. Values written cannot be read.
7	ADDR_UPDATE	Address Update Software must program this bit to 1 to inform the USB Host that the FUNCTION_ADDR field in this register has been updated. The USB clears this bit. 1 = The FUNCTION_ADDR field has been updated 0 = The FUNCTION_ADDR field has not been updated
6:0	FUNCTION_ADDR	Function Address Software writes the USB function address to this field.

19.2.2.3 Power Management Register (PMR)

This register is used for SUSPEND, RESUME, and RESET signalling, and for monitoring USB Bus Reset status.

Table 19-10. PMR Register

BIT	31	30	29	28	27	26	25	24	23	22	21	20	19	18	17	16	
FIELD	///																
RESET	0	0	0	0	0	0	0	0	0	0	0	0	0	0	0	0	
TYPE	RO	RO	RO	RO	RO	RO	RO	RO	RO	RO	RO	RO	RO	RO	RO	RO	
BIT	15	14	13	12	11	10	9	8	7	6	5	4	3	2	1	0	
FIELD	///											DCP_CTRL	USB_ENABLE	USB_RESET	UC_RESUME	SUSPEND_MODE	ENABLE_SUSPEND
RESET	0	0	0	0	0	0	0	0	0	0	0	0	0	0	0	0	
TYPE	RO	RO	RO	RO	RO	RO	RO	RO	RO	RO	RW	RW	RO	RW	RW	RW	
ADDR	0x8000.0204																

Table 19-11. PMR Bit Fields

BIT	NAME	DESCRIPTION
31:6	///	Reserved Reading returns 0. Values written cannot be read.
5	DCP_CTRL	DCP Pin Control This pin switches the pullup resistor (connected to pin U17) on the USB port DP pin (U20). See Section 19.1.2.3 for additional details. 1 = DP pin floating 0 = DP pin pulled up
4	USB_ENABLE	USB Enable 1 = USB functional block enabled 0 = USB functional block disabled
3	USB_RESET	USB RESET The USB block programs this bit to 1 when RESET signalling is received from the Host. This bit remains 1 as long as RESET persists on the USB bus. 1 = A RESET signal is asserted on the USB bus 0 = No RESET signal is asserted
2	UC_RESUME	UC RESUME Software programs a 1 to this bit for not less than 10 ms, nor more than 15 ms to initiate RESUME signalling. The USB Device generates RESUME signalling in SUSPEND mode when this bit is 1. 1 = Initiate RESUME signalling (must be 10 ms to 15 ms) 0 = Normal operation
1	SUSPEND_MODE	SUSPEND Mode The USB block programs this bit to 1 when the Host enters SUSPEND mode. Software must clear the UC_RESUME bit to end RESUME signalling. The CPU reads UIR:RESINT bit. 1 = USB in SUSPEND mode. 0 = USB not in SUSPEND mode.
0	ENABLE_SUSPEND	SUSPEND Enable The software programs this bit to 1 to enable the SUSPEND mode. If this bit is zero, the device will not enter SUSPEND mode. 1 = Enable SUSPEND mode 0 = Disable SUSPEND mode (Default)

NOTE: The CPU should use the USB_INTERRUPT register to poll for SUSPEND and RESET conditions.

19.2.2.4 IN Interrupt Register (IIR)

The IN Interrupt register (IIR) acts as an interrupt status register for IN endpoints EP1 and EP3, and Control endpoint EP0. Upon interrupt, software should read each of the three interrupt registers (IIR, OIR, and UIR), then write 1 to each bit that was set, then read the registers once more to clear the interrupt. The UIR must be the last register read and cleared.

Table 19-12. IIR Register

BIT	31	30	29	28	27	26	25	24	23	22	21	20	19	18	17	16
FIELD	///															
RESET	0	0	0	0	0	0	0	0	0	0	0	0	0	0	0	0
TYPE	RO	RO	RO	RO	RO	RO	RO	RO	RO	RO	RO	RO	RO	RO	RO	RO
BIT	15	14	13	12	11	10	9	8	7	6	5	4	3	2	1	0
FIELD	///												EP3IN	///	EP1IN	EP0
RESET	0	0	0	0	0	0	0	0	0	0	0	0	0	0	0	0
TYPE	RO	RO	RO	RO	RO	RO	RO	RO	RO	RO	RO	RO	RW	RO	RW	RW
ADDR	0x8000.0208															

Table 19-13. IIR Fields

BIT	NAME	DESCRIPTION
31:4	///	Reserved Reading returns 0. Values written cannot be read.
3	EP3IN	End Point 3 IN Interrupt The EP3 interrupt is generated for Interrupt IN transfers. This bit is programmed to 1 by the USB when: IN_PKT_RDY is cleared to 0 by the USB; The FIFO is flushed by the USB; and USB has issued a STALL response IN token, indicated by SENT_STALL = 1. Software clears this interrupt by programming a 1 to this bit, then reading this register once again. 1 = Interrupt IN transfer pending. 0 = Interrupt cleared or the above conditions are not met.
2	///	Reserved Reading returns 0. Values written cannot be read.
1	EP1IN	End Point 1 IN Interrupt The EP1 interrupt is generated for BULK IN transfers. The USB block programs this bit to 1 when IN_PKT_RDY bit is cleared to 0 by the USB Host, the FIFO is flushed by the USB Host, and the USB Host has issued a STALL response IN token, as indicated by SENT_STALL = 1. Software clears this interrupt by programming a 1 to this bit, then reading this register once again. 1 = BULK IN transfer pending and the above three conditions are met. 0 = Interrupt cleared or the above conditions are not met.
0	EP0	End Point 0 Interrupt The EP0 interrupt is generated for Control transfers. The EP0 interrupt is programmed to 1 by the USB block when: OUT_PKT_RDY is set to 1 by the USB Host; IN_PKT_RDY is cleared to 0 by the USB Host; SENT_STALL is set to 1 by the USB Host; SETUP_END is set to 1 by the USB Host; and DATA_END is cleared to 0 by the USB Host (Indicates end of control transfer). Software clears this interrupt by programming a 1 to this bit, then reading this register once again. 1 = EP0 interrupt set. 0 = EP0 interrupt cleared or the above conditions are not met.

19.2.2.5 OUT Interrupt Register (OIR)

The OUT Interrupt register (OIR) acts as an interrupt status register for the OUT endpoint EP2. Upon interrupt, software should read each of the three interrupt registers (IIR, OIR, and UIR), then write 1 to each bit that was set, then read the registers once more to clear the interrupt. The UIR must be the last register read and cleared.

Table 19-14. OIR Register

BIT	31	30	29	28	27	26	25	24	23	22	21	20	19	18	17	16
FIELD	///															
RESET	0	0	0	0	0	0	0	0	0	0	0	0	0	0	0	0
TYPE	RO	RO	RO	RO	RO	RO	RO	RO	RO	RO	RO	RO	RO	RO	RO	RO
BIT	15	14	13	12	11	10	9	8	7	6	5	4	3	2	1	0
FIELD	///													EP2OUT	///	
RESET	0	0	0	0	0	0	0	0	0	0	0	0	0	0	0	0
TYPE	RO	RO	RO	RO	RO	RO	RO	RO	RO	RO	RO	RO	RO	RW	RO	RO
ADDR	0x8000.0210															

Table 19-15. OIR Fields

BIT	NAME	DESCRIPTION
31:3	///	Reserved Reading returns 0. Values written cannot be read.
2	EP2OUT	EP2 Out Interrupt This interrupt is generated for BULK OUT transfers. The USB block programs this bit to 1 when: OUT_PKT_RDY and SENT_STALL are set to 1 by the USB Host. Software clears this interrupt by programming a 1 to this bit, then reading this register once again. 1 = BULK OUT transfer is ready. 0 = Interrupt cleared or the above conditions are not met.
1:0	///	Reserved Reading returns 0. Values written cannot be read.

19.2.2.6 USB Interrupt Register (UIR)

The USB Interrupt register (UIR) reports interrupt status for the bus signalling conditions SUSPEND, RESUME, and RESET. Upon interrupt, software should read each of the three interrupt registers (IIR, OIR, and UIR), then write 1 to each bit that was set, then read the registers once more to clear the interrupt. The UIR must be the last register read and cleared.

Table 19-16. UIR Register

BIT	31	30	29	28	27	26	25	24	23	22	21	20	19	18	17	16
FIELD	///															
RESET	0	0	0	0	0	0	0	0	0	0	0	0	0	0	0	0
TYPE	RO	RO	RO	RO	RO	RO	RO	RO	RO	RO	RO	RO	RO	RO	RO	RO
BIT	15	14	13	12	11	10	9	8	7	6	5	4	3	2	1	0
FIELD	///													URINT	RESINT	SUSINT
RESET	0	0	0	0	0	0	0	0	0	0	0	0	0	0	0	0
TYPE	RO	RO	RO	RO	RO	RO	RO	RO	RO	RO	RO	RO	RO	RW	RW	RW
ADDR	0x8000.0218															

Table 19-17. UIR Fields

BIT	NAME	DESCRIPTION
31:3	///	Reserved Reading returns 0. Values written cannot be read.
2	URINT	USB RESET Interrupt The USB block programs this bit to 1 when it receives RESET signalling from the USB Host. Software clears this interrupt by writing a 1 to this bit, then reading this register once again. 1 = USB RESET Interrupt set. 0 = Interrupt cleared.
1	RESINT	RESUME Interrupt The USB block programs this bit to 1 when it receives RESUME signalling while in SUSPEND mode from the USB Host. If the RESUME is due to a USB RESET, the CPU is first interrupted with a RESUME interrupt. Once the clocks resume and the SUSPEND condition persists for 3 ms, USB RESET Interrupt will be asserted. Software clears this interrupt by programming a 1 to this bit, then reading this register once again. 1 = RESUME Interrupt set. 0 = Interrupt cleared.
0	SUSINT	SUSPEND Interrupt The USB block programs this bit to 1 when it receives SUSPEND signaling from the USB Host. This bit is set whenever there is no activity for 3 ms on the bus. Thus, if the CPU does not stop the clock after the first SUSPEND Interrupt, it will continue to be interrupted every 3 ms as long as there is no activity on the USB bus. This interrupt is disabled by default. Software clears this interrupt by programming a 1 to this bit, then reading this register once again. 1 = SUSPEND Interrupt set. 0 = Interrupt cleared.

19.2.2.7 IN Interrupt Enable Register (IIE)

The IN Interrupt Enable Register (IIE) corresponds to the IN Interrupts, EP3IN, EP1IN, and EP0. All interrupts are initially enabled.

Table 19-18. IIE Register

BIT	31	30	29	28	27	26	25	24	23	22	21	20	19	18	17	16
FIELD	///															
RESET	0	0	0	0	0	0	0	0	0	0	0	0	0	0	0	0
TYPE	RO	RO	RO	RO	RO	RO	RO	RO	RO	RO	RO	RO	RO	RO	RO	RO
BIT	15	14	13	12	11	10	9	8	7	6	5	4	3	2	1	0
FIELD	///												EP3INEN	///	EP1INEN	EP0EN
RESET	0	0	0	0	0	0	0	0	0	0	0	0	1	0	1	1
TYPE	RO	RO	RO	RO	RO	RO	RO	RO	RO	RO	RO	RO	RW	RO	RW	RW
ADDR	0x8000.021C															

Table 19-19. IIE Fields

BIT	NAME	DESCRIPTION
31:4	///	Reserved Reading returns 0. Values written cannot be read.
3	EP3INEN	End Point 3 IN Interrupt Enable 1 = Interrupt enabled 0 = Interrupt disabled
2	///	Reserved Reading returns 0. Values written cannot be read.
1	EP1INEN	End Point 1 IN Interrupt Enable 1 = Interrupt enabled 0 = Interrupt disabled
0	EP0EN	End Point 0 IN Interrupt Enable 1 = Interrupt enabled 0 = Interrupt disabled

19.2.2.8 OUT Interrupt Enable Register (OIE)

The OUT Interrupt Enable (OIE) register corresponds to the EP2 OUT Interrupt. All interrupts are initially enabled.

Table 19-20. OIE Register

BIT	31	30	29	28	27	26	25	24	23	22	21	20	19	18	17	16
FIELD	///															
RESET	0	0	0	0	0	0	0	0	0	0	0	0	0	0	0	0
TYPE	RO	RO	RO	RO	RO	RO	RO	RO	RO	RO	RO	RO	RO	RO	RO	RO
BIT	15	14	13	12	11	10	9	8	7	6	5	4	3	2	1	0
FIELD	///													EP2OUTEN	///	
RESET	0	0	0	0	0	0	0	0	0	0	0	0	0	1	0	0
TYPE	RO	RO	RO	RO	RO	RO	RO	RO	RO	RO	RO	RO	RO	RW	RO	RO
ADDR	0x8000.0224															

Table 19-21. OIE Fields

BIT	NAME	DESCRIPTION
31:3	///	Reserved Reading returns 0. Values written cannot be read.
2	EP2OUTEN	End Point 2 OUT Interrupt Enable 1 = Interrupt enabled 0 = Interrupt disabled
1:0	///	Reserved Reading returns 0. Values written cannot be read.

19.2.2.9 USB Interrupt Enable Register (UIE)

The USB Interrupt Enable (UIE) corresponds to the USB Interrupt register. By default all interrupts except SUSPEND are enabled. The RESUME interrupt is automatically enabled when the SUSPEND interrupt is enabled.

Table 19-22. UIE Register

BIT	31	30	29	28	27	26	25	24	23	22	21	20	19	18	17	16
FIELD	///															
RESET	0	0	0	0	0	0	0	0	0	0	0	0	0	0	0	0
TYPE	RO	RO	RO	RO	RO	RO	RO	RO	RO	RO	RO	RO	RO	RO	RO	RO
BIT	15	14	13	12	11	10	9	8	7	6	5	4	3	2	1	0
FIELD	///													URINTEN	///	SUSINTEN
RESET	0	0	0	0	0	0	0	0	0	0	0	0	0	1	1	0
TYPE	RO	RO	RO	RO	RO	RO	RO	RO	RO	RO	RO	RO	RO	RW	RW	RW
ADDR	0x8000.022C															

Table 19-23. UIE Fields

BIT	NAME	DESCRIPTION
31:3	///	Reserved Reading returns 0. Values written cannot be read.
2	URINTEN	USB RESET Interrupt Enable 1 = Interrupt enabled 0 = Interrupt disabled
1	///	Reserved Reading returns 1. Do not write to this bit.
0	SUSINTEN	SUSPEND Interrupt Enable Software programs this bit to 1 to enable an Interrupt when it receives SUSPEND signalling. This bit is set whenever there is no activity for 3 ms on the bus. Thus, if the CPU does not stop the clock after the first SUSPEND interrupt, it will be continue to be interrupted every 3 ms as long as there is no activity on the USB bus. By default this interrupt is disabled. 1 = Interrupt enabled 0 = Interrupt disabled

19.2.2.10 Frame Number Registers (FRAME1 and FRAME2)

The Frame registers store the current USB bus frame number. The frame number comprises 11 bits. FRAME1 holds the lower eight bits and FRAME2 holds the upper three bits.

Table 19-24. FRAME1 Register

BIT	31	30	29	28	27	26	25	24	23	22	21	20	19	18	17	16
FIELD	///															
RESET	0	0	0	0	0	0	0	0	0	0	0	0	0	0	0	0
TYPE	RO	RO	RO	RO	RO	RO	RO	RO	RO	RO	RO	RO	RO	RO	RO	RO
BIT	15	14	13	12	11	10	9	8	7	6	5	4	3	2	1	0
FIELD	///								FRAME1							
RESET	0	0	0	0	0	0	0	0	0	0	0	0	0	0	0	0
TYPE	RO	RO	RO	RO	RO	RO	RO	RO	RO	RO	RO	RO	RO	RO	RO	RO
ADDR	0x8000.0230															

Table 19-25. FRAME2 Register

BIT	31	30	29	28	27	26	25	24	23	22	21	20	19	18	17	16
FIELD	///															
RESET	0	0	0	0	0	0	0	0	0	0	0	0	0	0	0	0
TYPE	RO	RO	RO	RO	RO	RO	RO	RO	RO	RO	RO	RO	RO	RO	RO	RO
BIT	15	14	13	12	11	10	9	8	7	6	5	4	3	2	1	0
FIELD	///												FRAME2			
RESET	0	0	0	0	0	0	0	0	0	0	0	0	0	0	0	0
TYPE	RO	RO	RO	RO	RO	RO	RO	RO	RO	RO	RO	RO	RO	RO	RO	RO
ADDR	0x8000.0234															

Table 19-26. FRAME1 Fields

BIT	NAME	DESCRIPTION
31:8	///	Reserved Reading returns 0. Values written cannot be read.
7:0	FRAME1	Least significant 8 bits of USB Frame Number.

Table 19-27. FRAME2 Fields

BIT	NAME	DESCRIPTION
31:3	///	Reserved Reading returns 0. Values written cannot be read.
3:0	FRAME2	Most significant 3 bits of USB Frame Number.

19.2.3 Indexed Registers

The next group of registers in the USB block are Indexed. The MAXP, INCSR1, INCSR2, OUTCSR1, OUTCSR2, and COUNT1 are indexed registers used for configuring the four endpoints, EP0, EP1, EP2, and EP3. To access the appropriate register for each endpoint, the endpoint number is first written to the Index register. Then the register of interest is written or read using the address defined in the register tables that follow.

19.2.3.1 Index Register (INDEX)

The INDEX register is used to point to the relative-addressed registers listed in Table 19-4. These registers are accessed by first writing the endpoint number to the INDEX register, then writing or reading the appropriate register at its LH7A404 Address Offset (0x8000.0238). Table 19-28 and Table 19-29 define the usage of INDEX.

Table 19-28. INDEX Register

BIT	31	30	29	28	27	26	25	24	23	22	21	20	19	18	17	16
FIELD	///															
RESET	0	0	0	0	0	0	0	0	0	0	0	0	0	0	0	0
TYPE	RO	RO	RO	RO	RO	RO	RO	RO	RO	RO	RO	RO	RO	RO	RO	RO
BIT	15	14	13	12	11	10	9	8	7	6	5	4	3	2	1	0
FIELD	///														INDEX	
RESET	0	0	0	0	0	0	0	0	0	0	0	0	0	0	0	0
TYPE	RO	RO	RO	RO	RO	RO	RO	RO	RO	RO	RO	RO	RO	RO	RW	RW
ADDR	0x8000.0238															

Table 19-29. INDEX Fields

BITS	NAME	DESCRIPTION
31:2	///	Reserved Reading returns 0. Values written cannot be read.
1:0	INDEX	<p>End Point Index This field specifies, by INDEX offset, which endpoint for the particular register will be accessed by the next software read or write. The Index values are:</p> <p>11 = EP3 10 = EP2 01 = EP1 00 = EP0</p> <p>Note that not all index values are valid for every register. Some endpoints are unidirectional, so the opposite direction would be meaningless. For example, EP2 is OUT only.</p>

19.2.3.2 Maximum Packet Size Register (INMAXP/OUTMAXP)

Each endpoint has its own control, Status and MAXP registers. This register set contains the maximum packet size for endpoints. These registers are accessed via the INDEX register and the relevant Control, Status or MAXP register. For example, to access EP1 (Bulk IN) MAXP register, write 1 to the INDEX register and then write the data required to address MAXP (0x40); to access EP2 (Bulk OUT) MAXP register, write 2 to the INDEX register, then write the data required to address MAXP (0x8000.024C).

The packet size is set in multiples of 8 bytes. If software writes a value greater than the FIFO size, the MAXP register will maintain the FIFO size. Maximum packet size is 64 bytes (except Endpoint 0 has a maximum FIFO size of 16 bytes). At reset, this register is 0b0001 (MAXP = 8).

Table 19-30. INMAXP/OUTMAXP Register

BIT	31	30	29	28	27	26	25	24	23	22	21	20	19	18	17	16
FIELD	///															
RESET	0	0	0	0	0	0	0	0	0	0	0	0	0	0	0	0
TYPE	RO	RO	RO	RO	RO	RO	RO	RO	RO	RO	RO	RO	RO	RO	RO	RO
BIT	15	14	13	12	11	10	9	8	7	6	5	4	3	2	1	0
FIELD	///												MAXP			
RESET	0	0	0	0	0	0	0	0	0	0	0	0	0	0	0	1
TYPE	RO	RO	RO	RO	RO	RO	RO	RO	RO	RO	RO	RO	RW	RW	RW	RW
ADDR	0x8000.0240 (IN) 0x8000.024C (OUT)															

Table 19-31. INMAXP/OUTMAXP Fields

BIT	NAME	DESCRIPTION
31:4	///	Reserved Reading returns 0. Values written cannot be read.
3:0	MAXP	0000 = Not Valid 0001 MAXP = 8 0010 MAXP = 16 0011 MAXP = 24 0100 MAXP = 32 0101 MAXP = 40 0110 MAXP = 48 0111 MAXP = 56 1000 MAXP = 64

19.2.3.3 IN Control and Status Register (INCSR1)

The INCSR1 register maintains the control and status bits for IN endpoints. Software should only access this register for an IN endpoint after the endpoint has been configured via INCSR2. The INDEX register must be used to write and read INCSR1.

Table 19-32. INCSR1 Register

BIT	31	30	29	28	27	26	25	24	23	22	21	20	19	18	17	16	
FIELD	///																
RESET	0	0	0	0	0	0	0	0	0	0	0	0	0	0	0	0	
TYPE	RO	RO	RO	RO	RO	RO	RO	RO	RO	RO	RO	RO	RO	RO	RO	RO	
BIT	15	14	13	12	11	10	9	8	7	6	5	4	3	2	1	0	
FIELD	///										CLRTOG	SENT_STALL	SEND_STALL	FIFO_FLUSH	///	FIFO_NE	IN_PKT_RDY
RESET	0	0	0	0	0	0	0	0	0	0	0	0	0	0	0	0	
TYPE	RO	RO	RO	RO	RO	RO	RO	RO	RO	WO	RW	RW	RW	RO	RW	RW	
ADDR	0x8000.0244																

Table 19-33. INCSR1 Fields

BIT	NAME	DESCRIPTION
31:7	///	Reserved Reading returns 0. Values written cannot be read.
6	CLRTOG	<p>Clear Data Toggle The Serial Interface Engine (SIE) toggles the Data PID sequence identifier for USB transactions with multiple data packets. In the case of an error condition that requires the USB transaction to be re-synchronized, this bit must be programmed to 1 by software to reset the data toggle so that the SIE will transmit a DATA0 packet identifier on the succeeding transfer. This is a write-only bit for the LH7A404. The USB block reads this bit, then clears it to 0.</p> <p>1 = Data Toggle bit cleared. 0 = No effect on Data Toggle.</p>
5	SENT_STALL	<p>STALL Send Acknowledge The USB block programs this bit to 1 when a STALL handshake is issued to an IN token by the USB Host, in response to software programming the SEND_STALL bit to 1. When the USB issues a STALL handshake, IN_PKT_RDY is cleared to 0. Clear this bit by writing a 0 to it.</p> <p>1 = STALL handshake issued by USB to an in IN token in response to the LH7A404 setting the SEND_STALL bit. 0 = Normal operation.</p>
4	SEND_STALL	<p>Send STALL Handshake to USB Software must program this bit to 1 to issue a STALL handshake to the next IN token. The USB reads the bit and issues a STALL handshake. Software must program the bit to 0 to end the STALL condition.</p> <p>1 = Issue a STALL handshake to the USB Host. 0 = End the STALL condition.</p>

Table 19-33. INCSR1 Fields (Cont'd)

BIT	NAME	DESCRIPTION
3	FIFO_FLUSH	<p>FIFO Flush Request Software programs this bit to 1 if it intends to flush the IN FIFO. This bit is programmed to 0 by the USB after the FIFO is flushed (IN_PKT_RDY must be read as a 1 before the USB can program this bit to 0). The CPU is interrupted when this happens. If a token is in progress, the USB waits until the transmission is complete before the FIFO is flushed. If two packets are loaded into the FIFO, only the topmost packet (one that was intended to be sent by the Host) is flushed, and the corresponding IN_PKT_RDY bit for that packet is cleared.</p> <p>1 = FIFO flush requested. 0 = FIFO flush completed.</p>
2	///	Reserved Reading returns 0. Values written cannot be read.
1	FIFO_NE	<p>FIFO Not Empty This bit indicates there is at least one packet of data in FIFO.</p> <p>1 = At least one packet is in the FIFO. 0 = No packets in the IN FIFO.</p>
0	IN_PKT_RDY	<p>IN Packet Ready After writing a packet of data into the FIFO, software programs this bit to 1. The USB programs this bit to 0 once the packet has been successfully sent to the Host. An interrupt is generated when the USB clears this bit so software can load the next packet. While this bit is 1, software cannot write to the FIFO. If the SEND_STALL bit is programmed by software to a 1, this bit cannot be programmed to 1.</p> <p>1 = IN FIFO has unsent data. 0 = FIFO available for next IN packet.</p>

19.2.3.4 IN Control and Status Register (INCSR2)

The INCSR2 register allows software to configure USB access and the function of the IN_PKT_RDY bit. Software should configure endpoints via INCSR2 before reading the INCSR1 register.

Table 19-34. INCSR2

BIT	31	30	29	28	27	26	25	24	23	22	21	20	19	18	17	16	
FIELD	///																
RESET	0	0	0	0	0	0	0	0	0	0	0	0	0	0	0	0	
TYPE	RO	RO	RO	RO	RO	RO	RO	RO	RO	RO	RO	RO	RO	RO	RO	RO	
BIT	15	14	13	12	11	10	9	8	7	6	5	4	3	2	1	0	
FIELD	///								AUTO_SET	///			USB_DMA_EN	///			
RESET	0	0	0	0	0	0	0	0	0	0	0	0	0	0	0	0	
TYPE	RO	RO	RO	RO	RO	RO	RO	RO	RW	RO	RO	RW	RO	RO	RO	RO	
ADDR	0x8000.0248																

Table 19-35. INCSR2 Register Fields

BIT	NAME	DESCRIPTION
31:8	///	Reserved Reading returns 0. Values written cannot be read.
7	AUTO_SET	Auto Set IN_PKT_RDY Bit 1 = IN_PKT_RDY is automatically programmed to 1, without any intervention from software, each time MAXP data is written. If software writes less than MAXP data, then IN_PKT_RDY bit must be programmed to 1 by software. 0 = Software must explicitly control IN_PKT_RDY bit.
6:5	///	Reserved Reading returns 0. Values written cannot be read.
4	USB_DMA_EN	USB DMA Enable 1 = FIFO is accessed via the DMA. 0 = FIFO is accessed via direct Reads. This bit is not applicable to EP3.
3:0	///	Reserved Reading returns 0. Values written cannot be read.

19.2.3.5 OUT Control and Status Register 1 (OUTCSR1)

The OUTCSR1 register maintains status information for OUT endpoint 2.

Table 19-36. OUTCSR1

BIT	31	30	29	28	27	26	25	24	23	22	21	20	19	18	17	16	
FIELD	///																
RESET	0	0	0	0	0	0	0	0	0	0	0	0	0	0	0	0	
TYPE	RO	RO	RO	RO	RO	RO	RO	RO	RO	RO	RO	RO	RO	RO	RO	RO	
BIT	15	14	13	12	11	10	9	8	7	6	5	4	3	2	1	0	
FIELD	///								CLDATATOG	SENT_STALL	SEND_STALL	FIFO_FLUSH	///			FIFO_FULL	OUT_PKT_RDY
RESET	0	0	0	0	0	0	0	0	0	0	0	0	0	0	0	0	
TYPE	RO	RO	RO	RO	RO	RO	RO	RO	RW	RW	RW	RW	RO	RO	RO	RW	
ADDR	0x8000.0250																

Table 19-37. OUTCSR1 Register Fields

BIT	NAME	DESCRIPTION
31:8	///	Reserved Reading returns 0. Values written cannot be read.
7	CL_DATATOG	Clear Data Toggle Sequence Bit The Serial Interface Engine (SIE) tracks the Data PID sequence toggle received for USB transactions with multiple data packets. An error condition that requires the USB transaction to be re-synchronized, this bit should be programmed to 1 to reset the data toggle so that the SIE expects a DATA0 packet identifier on the next transfer. Software writes a 1 to this bit to clear the data toggle bit. The USB block programs this bit to 0 when a read is received from the USB Host. 1 = The data toggle sequence bit is reset to DATA0. 0 = Normal operation.
6	SENT_STALL	Stall Handshake Sent The USB block sets this bit to 1 when an OUT token is ended with a STALL handshake from the USB Host. The USB block issues a stall handshake if the Host sends more than MAXP data for the OUT token. Clear this bit by writing a 0 to it. 1 = OUT token ended with a STALL handshake. 0 = No STALL handshake received.
5	SEND_STALL	Send Stall Handshake Software programs a 1 to this bit to issue a STALL handshake to the USB Host. Software programs this bit to 0 to end the STALL condition. 1 = Issue STALL handshake to USB Host. 0 = End STALL condition.

Table 19-37. OUTCSR1 Register Fields

BIT	NAME	DESCRIPTION
4	FIFO_FLUSH	<p>Flush OUT FIFO Software programs this bit to 1 to flush the FIFO. This bit can be programmed to 1 only when OUT_PKT_RDY(D0) is 1. The packet due to be unloaded by software will be flushed.</p> <p>1 = Flush OUT FIFO. 0 = Do not flush FIFO.</p>
3:2	///	Reserved Reading returns 0. Values written cannot be read.
1	FIFO_FULL	<p>FIFO FULL This bit indicates no more packets can be accepted.</p> <p>1 = 2 packets are in the IN FIFO, so the FIFO is full. 0 = FIFO is not full.</p>
0	OUT_PKT_RDY	<p>OUT Packet Ready The USB block programs this bit to 1 once the USB Host has loaded a packet of data into the OUT FIFO. After software reads the entire packet from FIFO this bit must be programmed to 0 by software. An interrupt is generated when this bit is set, letting software know that a packet is ready to read.</p> <p>1 = Data packet ready in OUT FIFO. 0 = No packet is ready in the OUT FIFO.</p>

19.2.3.6 OUT Control and Status Register 2 (OUTCSR2)

The OUTCSR2 is used to configure OUT endpoint 2.

Table 19-38. OUTCSR2

BIT	31	30	29	28	27	26	25	24	23	22	21	20	19	18	17	16		
FIELD	///																	
RESET	0	0	0	0	0	0	0	0	0	0	0	0	0	0	0	0		
TYPE	RO	RO	RO	RO	RO	RO	RO	RO	RO	RO	RO	RO	RO	RO	RO	RO		
BIT	15	14	13	12	11	10	9	8	7	6	5	4	3	2	1	0		
FIELD	///								AUTO_CLR	///			USB_DMA_EN	///				
RESET	0	0	0	0	0	0	0	0	0	0	0	0	0	0	0	0		
TYPE	RO	RO	RO	RO	RO	RO	RO	RO	RW	RO	RO	RW	RO	RO	RO	RO		
ADDR	0x8000.0254																	

Table 19-39. OUTCSR2 Register Fields

BIT	NAME	DESCRIPTION
31:8	///	Reserved Reading returns 0. Values written cannot be read.
7	AUTO_CLR	Auto Clear 1 = OUT_PKT_RDY is automatically programmed to 0, without any intervention from software, each time a complete packet is read from OUT FIFO. 0 = Software must explicitly clear the OUT_PKT_RDY bit after reading each packet.
6:5	///	Reserved Reading returns 0. Values written cannot be read.
4	USB_DMA_EN	USB DMA Enable 1 = The OUT FIFO is accessed via the DMA. 0 = The OUT FIFO is accessed via direct Reads
3:0	///	Reserved Reading returns 0. Values written cannot be read.

19.2.3.7 Endpoint 0 Control and Status Register (EP0CSR)

This register has the control and status bits for Endpoint 0.

Table 19-40. EP0CSR Register

BIT	31	30	29	28	27	26	25	24	23	22	21	20	19	18	17	16
FIELD	///															
RESET	0	0	0	0	0	0	0	0	0	0	0	0	0	0	0	0
TYPE	RO	RO	RO	RO	RO	RO	RO	RO	RO	RO	RO	RO	RO	RO	RO	RO
BIT	15	14	13	12	11	10	9	8	7	6	5	4	3	2	1	0
FIELD	///								CLR_SETUP_END	CLR_OUT	SEND_STALL	SETUP_END	DATA_END	SENT_STALL	IN_PKT_RDY	OUT_PKT_RDY
RESET	0	0	0	0	0	0	0	0	0	0	0	0	0	0	0	0
TYPE	RO	RO	RO	RO	RO	RO	RO	RO	RW	RW	RW	RO	RW	RW	RW	RO
ADDR	0x8000.0244															

Table 19-41. EP0CSR Fields

BIT	NAME	DESCRIPTION
31:8	///	Reserved Reading returns 0. Values written cannot be read.
7	CLR_SETUP_END	Clear SETUP_END Bit Software programs a 1 to this bit to clear SETUP_END (bit 4).
6	CLR_OUT	Clear OUT_PKT_RDY Bit Software programs a 1 to this bit to clear OUT_PKT_RDY (bit 0).
5	SEND_STALL	Send STALL Handshake Software writes a 1 to this bit at the same time it programs a 0 to OUT_PKT_RDY(bit 0) when it decodes an invalid token. The USB Host issues a STALL handshake to the current control transfer. Software must write a 0 to end the STALL condition. 1 = Issue STALL Handshake. 0 = End STALL condition.
4	SETUP_END	Setup Ends This is a Read Only bit. The USB Host programs this bit to 1 when a control transfer ends, before DATA_END (bit 3) is set. Software programs this bit to 0, by writing a 1 to the CLR_SETUP_END (bit 7) bit. When the USB Host programs this bit to 1, an interrupt is generated to the CPU. When such a condition occurs, the USB Host flushes the FIFO, and invalidates CPU access to the FIFO. When CPU access to the FIFO is invalidated, this bit is programmed to 0. 1 = Control transfer ended. 0 = No control transfer end.

Table 19-41. EP0CSR Fields

BIT	NAME	DESCRIPTION
3	DATA_END	<p>Data End Software programs this bit to 1:</p> <ul style="list-style-type: none"> • After loading the last packet of data into the FIFO, at the same time IN_PKT_RDY is set • While it clears OUT_PKT_RDY after unloading the last packet of data. For a zero-length data phase, when it clears OUT_PKT_RDY and sets IN_PKT_RDY. <p>1 = Last packet loaded to FIFO. 0 = Last packet unloaded from FIFO.</p>
2	SENT_STALL	<p>Sent Stall Handshake The USB block programs this bit to 1 if the USB Host ends a control transaction due to a protocol violation. An interrupt is generated when this bit is set.</p> <p>1 = Protocol violation 0 = Normal operation</p>
1	IN_PKT_RDY	<p>IN Packet Ready Software programs this bit to 1 after writing a packet of data into ENDPOINT 0 FIFO. The USB block programs this bit to 0 when the USB Host signals that the packet has been successfully received at the Host. An interrupt is generated when the USB Host clears this bit, so software can load the next packet. For a zero-length data phase, software programs IN_PKT_RDY and DATA_END (bit 3) to 1 at the same time.</p> <p>1 = Data packet written to ENDPOINT 0 FIFO. 0 = Data packet successfully sent to USB host.</p>
0	OUT_PKT_RDY	<p>OUT Packet Ready This is a Read Only bit. The USB Host programs this bit to 1 once valid data from the packet is written to the FIFO. An interrupt is generated when the USB Host sets this bit. Software programs this bit to 0 writing a 1 to the CLR_OUT bit (bit 6).</p> <p>1 = valid data from packet has been written to the OUT FIFO. 0 = No pending data from packet.</p>

19.2.3.8 Out FIFO Write Count Register (COUNT1)

The COUNT1 register maintains the write count. When OUT_PKT_RDY is set for OUT endpoints, this register maintains the number of bytes in the packet due to be unloaded by software.

Table 19-42. COUNT1 Registers

BIT	31	30	29	28	27	26	25	24	23	22	21	20	19	18	17	16
FIELD	///															
RESET	0	0	0	0	0	0	0	0	0	0	0	0	0	0	0	0
TYPE	RO	RO	RO	RO	RO	RO	RO	RO	RO	RO	RO	RO	RO	RO	RO	RO
BIT	15	14	13	12	11	10	9	8	7	6	5	4	3	2	1	0
FIELD	///								COUNT							
RESET	0	0	0	0	0	0	0	0	0	0	0	0	0	0	0	0
TYPE	RO	RO	RO	RO	RO	RO	RO	RO	RO	RO	RO	RO	RO	RO	RO	RO
ADDR	COUNT1 = 0x8000.0258															

Table 19-43. COUNT1 Fields

BIT	NAME	DESCRIPTION
31:8	///	Reserved Reading returns 0. Values written cannot be read.
7:0	COUNT	Count of Packet Bytes Number of bytes in the packet ready to be unloaded by software.

Chapter 20

USB Host Controller

The LH7A404 contains both a USB Host block and a USB Device block. This chapter details operations and programming the USB Host Controller (HC). In addition to this chapter, it is highly recommended to reference the Open Host Controller Interface Specification for USB, Rev. 1.0. This document is available at:

ftp://ftp.compaq.com/pub/supportinformation/papers/hcir1_0a.pdf

This chapter describes the basics of the Open HCI and the LH7A404 Host Controller. More detailed information and example code can be found in the Open HCI specification.

The features of the USB Host Controller include:

- Open Host Controller Interface Specification (OpenHCI) Rev 1.0 compatible.
- Universal Serial Bus Specification Rev. 2.0 Full Speed compatible.
- Support for both Low Speed and High Speed USB devices.
- Root Hub has two Downstream Ports
- Master and Slave AHB interfaces
- DMA capability

The USB Host Controller block diagram appears in Figure 20-1.

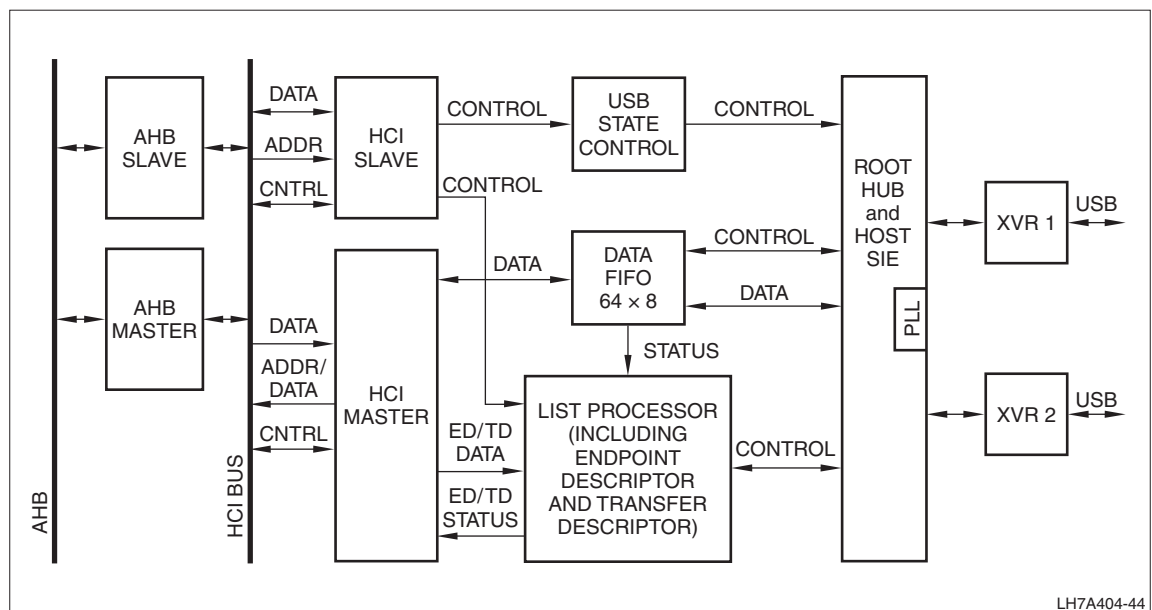


Figure 20-1. USB Host Controller Block Diagram

20.1 Theory of Operation

The USB Host Controller provides all the logic, transceivers, state machines, and timing to implement a fully-compliant OpenHCI 1.0 device. Externally, two USB Host ports are available, each with a differential output.

The LH7A404 operating software configures the HC using operational registers contained in the HC block. These registers are fully described beginning in Section 20.2. In addition to these registers, there is also a Host Controller Communication Area (HCCA) existing in main memory. The HCCA contains the head pointers to the Interrupt Endpoint Descriptor lists and the Done Queue, and the status information associated with the Start of Frame (SOF) processing.

20.1.1 USB Host Controller Block Descriptions

The USB Host Controller contains four major blocks (shown in Figure 20-1): the AHB Master/Slave, the Host Controller, the Root Hub, and the differential pair USB Port Transceivers.

20.1.1.1 AHB Master and Slave

The USB Host Controller resides on the high-speed Advanced High-performance Bus (AHB). The interface between the AHB and the Host Controller contains both an AHB Master and an AHB Slave. This allows flexibility over how data is transferred to and from the Host Controller.

Using the Slave, core driver software can access the programming registers and also the Host Controller Communication Area (HCCA) register, which holds the address location of HCCA. The HCCA is a shared memory location which could be present in any memory device (SRAM, internal-SRAM or SDRAM) connected to the AHB bus. The HCCA allows exchange of data, status, and other communications between the driver software and the Host Controller block.

As a Master, the USB Host Controller can control the AHB bus to read and write control data (in the form of Transfer Descriptors and Endpoint Descriptors) in HCCA. The Master interface is also used to deliver and retrieve data packets directly from any memory device (SRAM, internal-SRAM or SDRAM) connected to the AHB bus.

20.1.1.2 Host Controller

The primary block in the USB Host Controller is the Host Controller block. This block handles all the logic and timing, as well as DMA.

Included within this block is the USB Host Controller state machine, Endpoint and Transfer Descriptor lists, a FIFO, and interface circuitry to and from the Root Hub and the AHB.

20.1.1.2.1 Host Controller State Machine

The Host Controller State Machine provides the logic required by the OpenHCI 1.0 specification. The state machine controls transitions to the four USB States: OPERATIONAL, RESUME, SUSPEND, and RESET, as depicted in Figure 20-2.

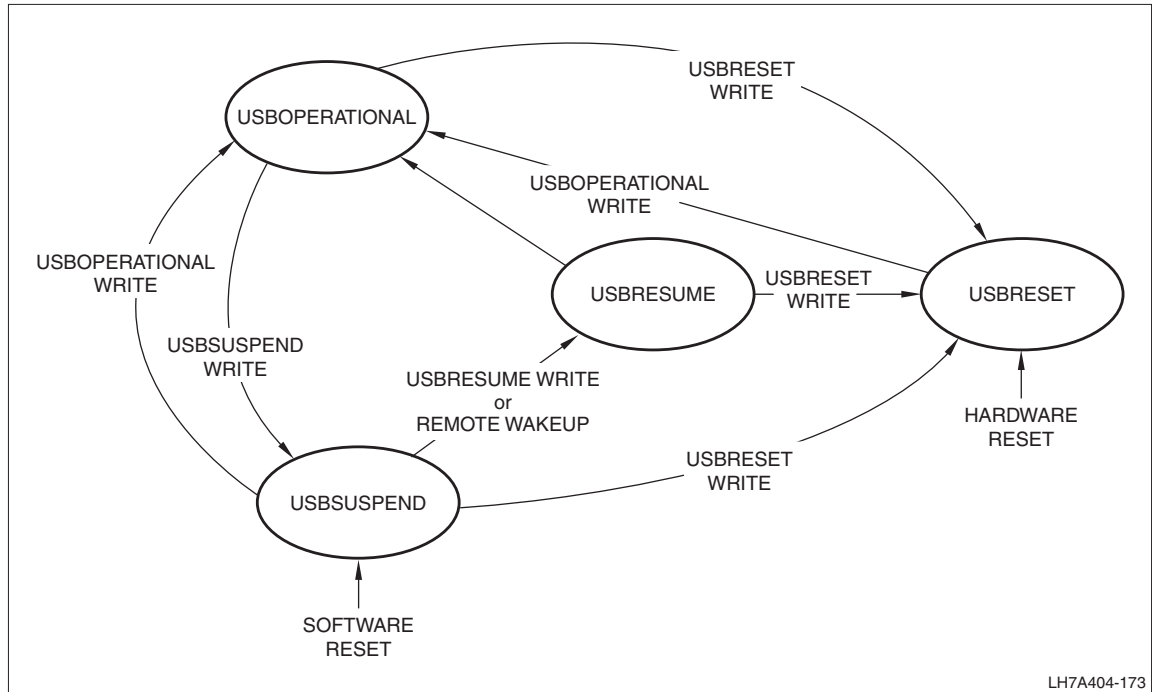


Figure 20-2. USB Host Controller State Diagram

20.1.1.2.2 Remote Wakeup

The Host Controller does not support the optional Remote Wakeup feature.

20.1.1.2.3 Frame Management

The Host Controller keeps track of the current frame counter and the frame period. At the beginning of each frame, the Host Controller generates the SOF packet on the USB and updates the frame count value in system memory. The Host Controller also determines if enough time remains in the frame to send the next data packet.

20.1.1.2.4 List Processing

The Host Controller maintains two lists for communication with USB Devices: Endpoint Descriptors (ED) and Transfer Descriptors (TD). The Host Controller operates on the EDs and TDs queued by the driver software. Full descriptions of the ED and TD appear in Section 20.1.3.

For interrupt and isochronous transfers, the Host Controller begins at the Interrupt ED head pointer for the current frame. The list is traversed sequentially until one packet transfer from the first TD of all interrupt and isochronous EDs scheduled in the current frame is attempted.

For bulk and control transfers, the Host Controller begins in the list where it last left off. When the Host Controller reaches the end of a list, it loads the value from the head pointer and continues processing. The Host Controller processes n control transfers to 1 bulk transfer where the value of n is set by the Host Controller Driver in the HcControl:CBSR field. (See Figure 20-3 and section 20.2.2.2 for more details.)

When a TD completes, either successfully or due to an error condition, the Host Controller moves it to the Done Queue. Moving TDs to the Done Queue occurs by placing the most recently completed TD at the head of the queue. The Done Queue is transferred periodically from the Host Controller to the driver software using the HCCA.

20.1.1.3 Root Hub and Host Serial Interface Engine

The Root Hub propagates Reset and Resume to downstream ports and handles port connect/disconnect. The Host Controller Driver software must communicate with the endpoints using virtual addresses, as necessary, maintain the HcRtHubStatus register. After a transition out of the USBRESET state, software must make the root hub appear at the default address. See the USB Specification for more details of the expected behavior of the root hub.

The Host Serial Interface Engine (HSIE) converts parallel to serial, serial to parallel, NRZI encoding/decoding and manages the USB serial protocol.

20.1.1.4 Differential Output Transceivers

The Host Controller contains differential pair output transceivers. These are capable of supporting both Low Speed and Full Speed operation.

20.1.2 Host Controller Driver Software

The driver software manages the operation of the Host Controller. It does so by communicating directly to the operational registers in the HC and establishing the interrupt, control, bulk, and isochronous Endpoint Descriptor list in the HCCA. The driver software maintains the state of the HC, list processing pointers, list processing enables, and interrupt enables.

20.1.2.1 USB Access Scheduling

All accesses to the USB are scheduled by the driver software. The driver software allocates a portion of the available bandwidth to each periodic endpoint. If sufficient bandwidth is not available, a newly-connected periodic endpoint will be denied access to the bus.

A portion of the bandwidth is reserved for nonperiodic transfers. This ensures that some quantity of bulk and control transfers will occur in each frame period. One USB frame period is 1.0 ms, $\pm 0.25\%$.

The frame bandwidth allocation is shown in Figure 20-3. Each frame begins with the Host Controller sending the Start of Frame (SOF) synchronization packet to the USB bus. This is followed by the Host Controller servicing nonperiodic transfers until the frame interval counter reaches the value set by the Host Controller Driver, indicating that the Host Controller should begin servicing periodic transfers. After the periodic transfers complete, any remaining time in the frame is consumed by servicing nonperiodic transfers once more.

The point at which the first set of periodic transfers terminates and non-periodic transfer processing begins can be adjusted with the Periodic Start and the Remaining fields in their respective registers. These values can be dynamically adjusted by software to maximize performance.

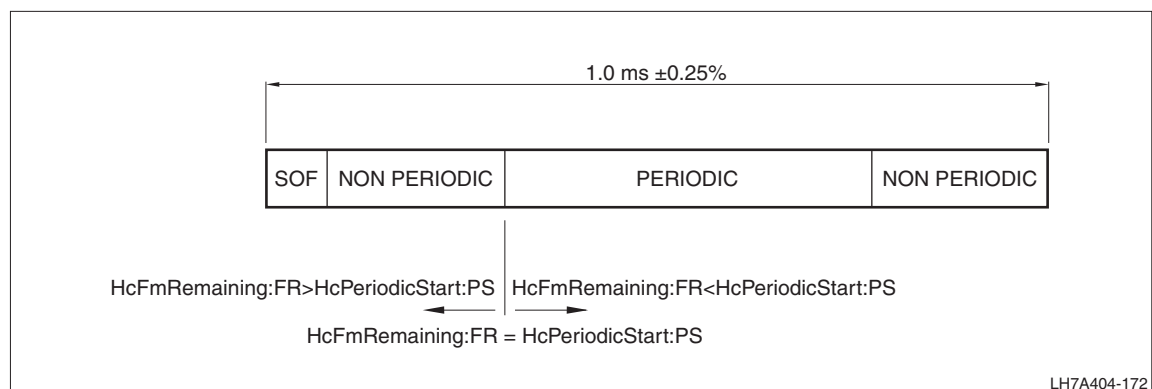


Figure 20-3. Frame Bandwidth Allocation

20.1.2.2 List Management

The transport mechanism for USB data packets is via Transfer Descriptor queues linked to Endpoint Descriptor lists. The driver software creates these data structures then passes control to the Host Controller for processing.

The driver software is responsible for placing and removing EDs on the queue. Adding to the list is done by adding the ED to the tail of the appropriate list. This may occur simultaneously to the Host Controller processing the list without requiring any lock mechanism. Before removing an ED, the driver software may disable the Host Controller from processing the entire ED list of the data type being removed to ensure that the Host Controller is not accessing the ED to be removed.

The driver software is also responsible for linking TDs to the appropriate ED. Linking is done by adding the TD to the tail of the appropriate queue. This may occur simultaneously to the Host Controller processing the queue without requiring any lock mechanism. Under normal operation, the Host Controller removes the TD. However, the driver software removes the TD when it is being canceled due to a request from the higher layer software or certain error conditions. In this instance, the ED is disabled prior to the TD being removed.

20.1.2.3 Root Hub

The Root Hub registers are available to the driver software, which is responsible for providing the proper hub protocol and proper control of the Root Hub. See Section 20.2.2.19 and subsequent sections for descriptions of the Root Hub registers.

20.1.3 Endpoint Descriptors and Transfer Descriptors

Communications take place between the USB Host and the Device via data 'pipes'. Multiple communication pipes can exist between a Host and the Device, with each pipe terminating at the device in an 'endpoint'. Figure 20-4 illustrates the data pipes and endpoints.

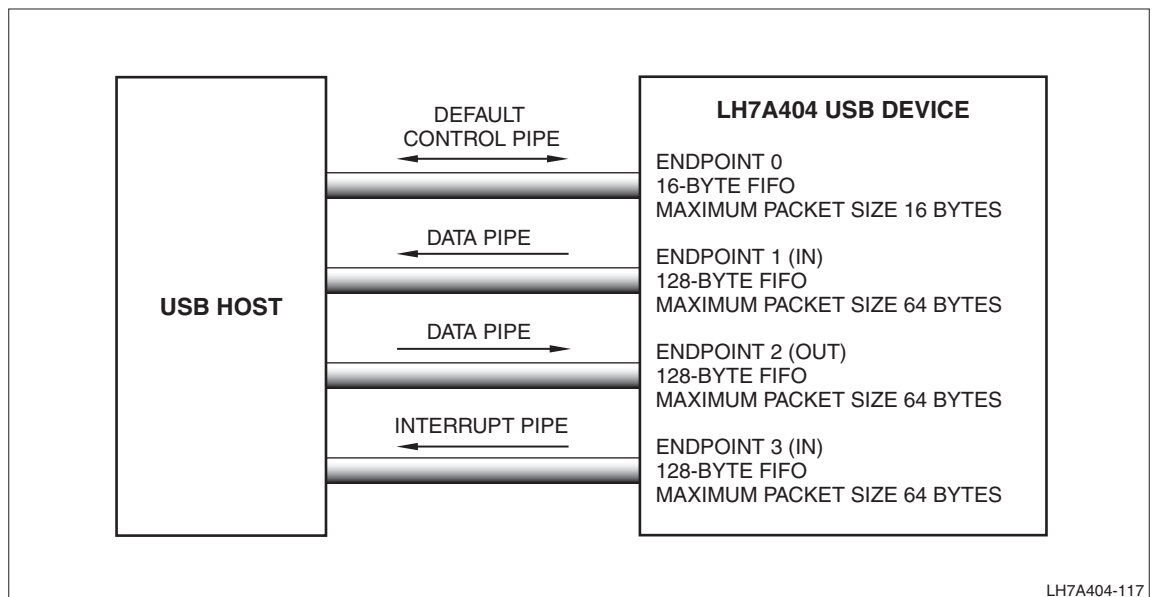


Figure 20-4. USB Communication Endpoints

The Host maintains an Endpoint Descriptor (ED) for each endpoint. The location of the first ED is contained in the Host's Head Pointer entry in the appropriate register. Subsequent accesses to EDs are sequential from the point following the last completed ED. The ED contains a dataset that describes the requirements for communication with the Endpoint. The fields within the descriptor include maximum packet size, Endpoint address, Endpoint speed, and data direction. Within the ED is also the pointer to the Transfer Descriptors for that Endpoint.

Transfer Descriptors (TDs) contain data that describes the requirements to transfer a block of data to or from the particular Endpoint. A queue of TDs is linked to the ED for the specific Endpoint. The fields in the TD include data toggle information, shared memory buffer location, and completion status codes. The fields may describe one or more packet. Each ED may have multiple pending TDs. Figure 20-5 illustrates the Endpoint Descriptor logic.

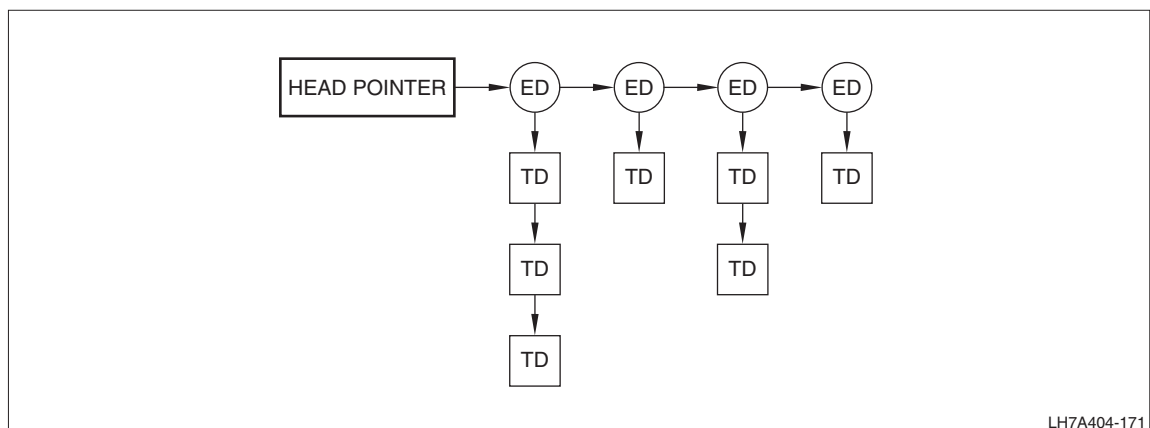


Figure 20-5. Endpoint Descriptor Logic

20.1.3.1 Endpoint Descriptors

An ED contains information about an endpoint that is used by the Host Controller to manage access to the device's endpoint. The endpoint's address, transfer speed, and maximum data packet size are typical parameters that are kept in the ED. Additionally, the ED is anchor for a queue of Transfer Descriptors. A TD attached to an ED defines a memory buffer to/from which data is to be transferred for that endpoint (see Section 20.1.3.2). When the Host Controller accesses an ED and finds a valid TD address, the Host Controller completes a single transaction with the endpoint identified in the ED from/to the memory address indicated by the TD.

When all the data defined by a TD has been transferred, the TD is unlinked from its ED and linked to the Done Queue. The driver software then processes the done queue and provides completion information to the software that originated the transfer request. The ED structure is shown in Figure 20-1.

Table 20-1. Endpoint Descriptor Data Structure

	31:27	26:16	15	14	13	12:11	10:7	6:4	3:2	1	0
ED Word 0	SCR	MPS	F	K	S	D	EN	FA			
ED Word 1	TD Queue Tail Pointer (TailP)								SCR		
ED Word 2	TD Queue Head Pointer (HeadP)								///	C	H
ED Word 3	Next Endpoint Descriptor (NextED)								SCR		

Table 20-2. Endpoint Descriptor Fields

BITS	NAME	DESCRIPTION
Word 0 31:27	SCR	Scratch bits These bits are not interpreted by the Host Controller and are available to the driver software for scratch pad usage.
Word 0 26:16	MPS	Maximum Packet Size This field indicates the maximum number of bytes that can be sent to, or received from, the endpoint in a single data packet.
Word 0 15	F	Format This bit indicates the format of the TDs linked to this ED. 1 = This is a Control, Bulk, or Interrupt Endpoint format TD 0 = This is an Isochronous format TD
Word 0 14	K	Skip This bit allows skipping to the next ED without accessing the TD queue or issuing any USB token for the endpoint. 1 = Skip to the next ED 0 = Process this ED normally
Word 0 13	S	Speed This bit defines the speed of the endpoint. 1 = Low speed 0 = Full speed
Word 0 12:11	D	Direction This field specifies the direction of data flow (IN or OUT). If neither IN nor OUT is specified, the direction is determined from the PID field of the TD. 00 = Get direction from TD 01 = OUT 10 = IN 11 = Get direction from TD

Table 20-2. Endpoint Descriptor Fields

BITS	NAME	DESCRIPTION
Word 0 10:7	EN	Endpoint Number This is the USB address of the endpoint within the function.
Word 0 6:0	FA	Function Address This is the USB address of the function containing the endpoint that this ED controls.
Word 1 31:4	TailP	TD Queue Tail Pointer This is the pointer to the last TD on the current endpoint stack. If TailP and HeadP are the same, the list contains no TD that the Host Controller can process. If they are different, the list contains at least one TD that can be processed.
Word 1 3:0	SCR	Scratch bits These bits are not interpreted by the Host Controller and are available to the driver software for scratch pad usage.
Word 2 31:4	HeadP	TD Queue Head Pointer This is the pointer to the next TD on the current endpoint stack. If TailP and HeadP are the same, the list contains no TD that the Host Controller can process. If they are different, the list contains at least one TD that can be processed.
Word 2 Bit 3:2	///	Reserved These bits read as 0 and must be written with 0 before commencing queue processing.
Word 2 Bit 1	C	Toggle Carry When a TD is retired, this bit is written to contain the last data toggle value (least-significant bit of the data Toggle field) from the retired TD. This bit is not used for Isochronous endpoints.
Word 2 Bit 0	H	Halted The Host Controller sets this bit to indicate that the processing of the TD queue on the endpoint is halted, usually due to an error in processing a TD. 1 = Host Controller halted 0 = Normal Host Controller operation
Word 3 31:4	NextED	Next Endpoint Descriptor When nonzero, points to the next ED on the list.
Word 3 3:0	SCR	Scratch bits These bits are not interpreted by the Host Controller and are available to the driver software for scratch pad usage.

20.1.3.2 Transfer Descriptors

A Transfer Descriptor (TD) is a system-memory data structure used by the Host Controller to define a buffer of data that will be moved to or from an endpoint. There are two types of TD: general and isochronous. The General TD is used for Interrupt, Control, and Bulk Endpoints and an Isochronous TD is used for the unique requirements of isochronous transfers. Two TD types are supported because the nature of isochronous transfers does not lend itself to the standard DMA buffer format and the packetizing of the buffer required for isochronous transfers is too restrictive for general transfer types.

Both the General TD and the Isochronous TD allow specifying a buffer from 0 to 8,192 bytes long. Additionally, the data buffer described in a single TD can span up to two physically disjointed pages. Although the scatter/gather capabilities of a single TD are limited, it eliminates most of the problems associated with forcing buffers to be physically contiguous.

Transfer Descriptors are linked to queues attached to EDs. The ED provides the endpoint address to/from which the TD data is to be transferred. The Host Controller Driver adds to the queue and the Host Controller removes from the queue. When the Host Controller removes a TD from a queue, it links the TD to the Done Queue. When a TD is unlinked from the ED and linked to the Done Queue, it is 'retired'.

A TD may be retired due to normal completion or because of an error condition. When the TD is retired, a condition code value is written in the TD, which allows the Host Controller Driver to determine the reason it was retired.

It is important to note that once a TD is made accessible to the Host Controller, it may not be modified by the driver software.

20.1.3.2.1 General Transfer Descriptor

Transfers for control, bulk, and interrupt all use the same format for their Transfer Descriptor (TD). This General TD is a 16-byte, host memory structure that must be aligned to a 16-byte boundary. The TD fields are shown in Table 20-3 and Table 20-4.

Table 20-3. General Transfer Descriptor Data Structure

	31:28	27:26	25:24	23:21	20:19	18	17:4	3:0
TD Word 0	CC	EC	T	DI	DP	R	///	
TD Word 1	Current Buffer Pointer (CBP)							
TD Word 2	Next TD (NextTD)						///	
TD Word 3	Buffer End (BE)							

Table 20-4. General Transfer Descriptor Fields

BITS	NAME	DESCRIPTION
Word 0 31:28	CC	Condition Code This field contains the status of the last attempted transaction. See Table 20-7.
Word 0 27:26	EC	Error Count The content of this field is incremented each time a transmission error is detected. If EC = 2 and another error occurs, the error type is recorded in the Condition Code (CC) field and placed on the Done Queue. When a transaction completes without error, this field is reset to 0b00.
Word 0 25:24	T	Data Toggle This field is used to generate or compare the data Packet I.D. (PID) value (DATA0 or DATA1). It is updated after each successful transmission or reception of a data packet. The most significant bit of this field is 0 when the data toggle value is acquired from the toggle Carry field in the ED, and 1 when the data toggle value is taken from the least significant bit of this field.
Word 0 23:21	DI	Delay Interrupt This field contains the interrupt delay count for this TD. When a TD is completed, the Host Controller may wait for specified number of frames before generating an interrupt. 000 = no delay, and 111 = No interrupt is associated with the completion of this TD.
Word 0 20:19	DP	Direction PID This field indicates the direction of data flow and the PID to be used for the USB token. DP is only relevant if the D field in the ED is set to 0b00 or 0b11, and PID determination is deferred to the TD. 00 = Direction TO endpoint; PID is SETUP 01 = Direction TO endpoint; PID is OUT 10 = Direction FROM endpoint; PID is IN 11 = Reserved; do not use
Word 0 18	R	Buffer Rounding This bit defines whether a packet smaller than the size of the buffer causes an error. 1 = The last data packet can be smaller than the defined buffer without causing an error condition on the TD. 0 = The last data packet must exactly fill the buffer, or an error condition will result.
Word 0 17:0	///	Reserved Reading returns undefined data. Write zeros.
Word 1 31:0	CBP	Current Buffer Pointer This field contains the physical address of the next memory location for transfer to or from the endpoint. A 0 value indicates a zero-length packet or that all bytes have been sent.
Word 2 31:4	NextTD	Next Transfer Descriptor This field points to the next TD on the list of TDs for the current endpoint.
Word 2 3:0	///	Reserved Reading returns undefined data. Write zeros.
Word 3 31:0	BE	Buffer End This field contains the physical address of the last byte in the buffer for this TD.

20.1.3.2.2 Isochronous Transfer Descriptor

An Isochronous TD is used exclusively for isochronous endpoints. All TDs linked to an ED with F = 1 must use this format. This 32-byte structure, shown in Table 20-5 and Table 20-6, must be aligned to a 32-byte boundary in system memory.

Isochronous TDs describe the data packets sent to or received from an isochronous endpoint. Data packets in an Isochronous TD have a time component such that a data packet is transferred only in the specific frame to which it has been assigned. An Isochronous TD may contain buffers for 1 to 8 consecutive frames of data (FrameCount+1) with the first data packet (packet 0) of an Isochronous TD sent in the frame for which the low 16 bits of HcFmNumber match the StartingFrame field of the Isochronous TD.

The Host Controller does an unsigned subtraction of StartingFrame from the 16 bits of HcFmNumber to arrive at a signed value for a relative frame number (frame R). If the relative frame number is negative, then the current frame is earlier than the 0th frame of the Isochronous TD and the Host Controller advances to the next ED. If the relative frame number is greater than FrameCount, then the Isochronous TD has expired and an error condition exists. If the relative frame number is between 0 and FrameCount, the Host Controller issues a token to the endpoint and attempts a data transfer using the buffer described by the Isochronous TD.

Table 20-5. Isochronous Transfer Descriptor Data Structure

	31:28	27	26:24	23:21	20:16	15:12	11:5	4:0
ED Word 0	CC	///	FC	DI	///	SF		
TD Word 1	Buffer Page 0 (BP0)						///	
TD Word 2	Next TD (NextTD)							///
TD Word 3	Buffer End (BE)							
TD Word 4	Offset1/PSW1					Offset0/PSW0		
TD Word 5	Offset3/PSW3					Offset2/PSW2		
TD Word 6	Offset5/PSW5					Offset4/PSW4		
TD Word 7	Offset7/PSW7					Offset6/PSW6		

Table 20-6. Isochronous Transfer Fields

BITS	NAME	DESCRIPTION
Word 0 31:28	CC	Condition Code This field contains the completion code and status when the Isochronous TD is moved to the Done Queue. See Table 20-7 for values and meanings.
Word 0 27	///	Reserved Reading returns undefined data. Write zeros.
Word 0 26:24	FC	Frame Count This field contains the number of data packets (frames) described by this TD. 000 = 1 Frame 001 = 2 Frames 010 = 3 Frames 011 = 4 Frames 100 = 5 Frames 101 = 6 Frames 110 = 7 Frames 111 = 8 Frames
Word 0 23:21	DI	Delay Interrupt This field is the interrupt delay count for the current TD. When a TD completes, the Host Controller can wait for the specified number of frames before generating an interrupt.
Word 0 20:16	///	Reserved Reading returns undefined data. Write zeros.
Word 0 15:0	SF	Starting Frame This field contains the low-order 16 bits of the frame number, which is the first data packet of the Isochronous TD.
Word 1 31:12	BP0	Buffer Page 0 This field contains the physical page number of the first byte of the data buffer used by this TD.
Word 1 11:0	///	Reserved Reading returns undefined data. Write the reset value.
Word 2 31:5	NextTD	Next Transfer Descriptor This entry points to the next Isochronous TD on the queue of Isochronous TDs linked to the current ED.
Word 2 4:0	///	Reserved Reading returns undefined data. Write zeros.
Word 3 31:0	BE	Buffer End This field contains the physical address of the last byte in the buffer.
Word 4-7 31:16 and 15:0	Offsetx	Offset Each Offset determines the size and starting address of an Isochronous data packet. Offset is Write Only with respect to the driver software.
Word 4-7 31:16 and 15:0	PSWx	Packet Status Word Each PSW contains the completion code, and if applicable, the size received for an Isochronous data packet. PSW is Read Only with respect to the driver software.

Table 20-7. Condition Code Values

CC (WORD 0 BITS 31:28)	CONDITION	DESCRIPTION
0000	No Error	General TD or Isochronous data packet processing completed with no detected errors.
0001	CRC	The last data packet from this endpoint contained a CRC error.
0010	Bit Stuffing	The last data packet from this endpoint contained a bit stuffing violation.
0011	Data Toggle Mismatch	The last packet from this endpoint had a data toggle PID that did not match the expected value.
0100	Stall	TD was moved to the Done Queue because the endpoint returned a STALL PID.
0101	Device Not Responding	Device did not respond to a token (IN), or did not provide a handshake (OUT).
0110	PID Check Failure	Check bits on PID from endpoint failed on data PID (IN) or handshake (OUT).
0111	Unexpected PID	Receive PID was not valid when encountered, or PID value is not defined.
1000	Data Overrun	The quantity of data returned by the endpoint exceeded either the size of the maximum data packet allowed from that endpoint (see ED:MPS for maximum packet size), or the remaining buffer size.
1001	Data Underrun	The endpoint returned less data than defined in the ED:MPS field and that amount was insufficient to fill the specified buffer.
1010	Reserved	Read as 0; do not write
1011	Reserved	Read as 0; do not write
1100	Buffer Overrun	During an IN transfer, the Host Controller received data from the endpoint faster than it could be written to system memory.
1101	Buffer Underrun	During an OUT transfer, the Host Controller could not retrieve data from system memory fast enough to keep up with the USB data rate.
111x	No Accessed	This code is set by driver software before the TD is placed on a list to be processed by the Host Controller.

20.1.4 Data Transfer Types

Using the ED and TD parameters, four data transfer types are defined for the USB. Two of the transfers are periodic and two are non-periodic. Periodic transfers include Interrupt and Isochronous since they are scheduled to execute at periodic intervals. Non-periodic transfers include Control and Bulk, as they execute on a 'time available' basis. Each type is optimized to match the service requirements between the Host and the Device:

- **Interrupt Transfers** — These are small data transfers used to communicate between the USB Host and the Device. Software polls the Device by issuing tokens to it at periodic intervals.
- **Isochronous Transfers** — These are periodic data transfers with a constant data rate. Data transfers are correlated in time between the sender and the receiver.
- **Control Transfers** — Control transfers are non-periodic transfers used to communicate configuration, command, and status information between the Host and Device.
- **Bulk Transfers** — These are non-periodic data transfers used to communicate large amounts of information between the Host and Device.

The ED Head Pointers to the Bulk and Control ED lists are maintained within the HC registers. These pointers are initialized by software prior to allowing the HC to access them. When the pointers are updated, software must halt the HC, update the pointer, then re-enable the HC.

Head Pointers for the Interrupt ED are maintained within the HCCA. There is no head pointer for isochronous transfers. The first isochronous ED simply links to the last interrupt ED. The Head Pointer for a particular frame is determined using the last five bits of the Frame Counter as an offset into the interrupt array within the HCCA.

20.1.5 Host Controller Communications Area (HCCA)

The Host Controller Communications Area (HCCA) is a 256-byte area of system memory in which driver software sends and receives control and status information to and from the Host Controller. This structure must be located on a 256-byte boundary. Driver software must write the address of this structure in HcHCCA Register. This structure allows driver software to direct the Host Controller's functions without having to read from the Host Controller except in unusual circumstances (e.g., error conditions). Normal interaction with the Host Controller can be accomplished by reading values from this structure that were written by the Host Controller and by writing to the Host Controller's operation registers.

Table 20-8. HCCA Format

OFFSET	SIZE (BYTES)	NAME	DESCRIPTION
0	128	HccaInterruptTable	Pointers to the interrupt EDs
0x80	2	HccaFrameNumber	Current frame number. This value is updated by the Host Controller before it begins processing the periodic lists for the frame.
0x82	2	HccaPad1	When the Host Controller updates the HccaFrameNumber, it sets this field to 0.
0x84	4	HccaDoneHead	When the Host Controller reaches the end of a frame and its deferred interrupt register is 0, it writes the current value of its HcDoneHead field to this location and generates an interrupt (if interrupts are enabled). This location is not written by the Host Controller again until driver software clears the HcInterruptStatus:WD bit. The least significant bit of this field is 1, an unmasked HcInterruptStatus bit was set when HccaDoneHead was written.
0x88	116	///	Reserved for Host Controller; do not access.

20.1.6 Protected Power Switch Technology

Protected power-switch devices are silicon series elements used in the USB power bus to control the flow of power to ports and to help protect circuitry and devices from overcurrent conditions. The protected power switch trips in an overcurrent condition, but it does so in a two-phased approach. The device trips in microseconds, limiting current to a predefined range that is higher than nominal operating current. It then flags the controller that a fault condition has occurred by asserting the LH7A404 USBHOVRCURR pin. The LH7A404 can be programmed to assert the USBHPWR pin, connected to the power switch's Enable pin, shutting down the port. If the LH7A404 USB Host Controller does not respond, the switch cycles the port on and off to prevent internal thermal damage. Details about programming these pins appears in Section 20.2.2.19 through Section 20.2.2.22.

20.1.7 Interrupts

The USB Host Controller can generate interrupts for multiple separate events. These interrupts are pre-processed within the Host Controller and then combined into a single interrupt (USHINTR) that is presented to VIC2.

20.2 Register Reference

This section provides memory mapping and descriptions of the registers used to program and service the USB Host. These registers are compliant with the OpenHCI standard.

20.2.1 Memory Map

The registers in the USB Host Controller block begin at a base address of 0x8000.9000. Table 20-9 shows the register name and description, along with its address offset. There are four types of registers in the USB Host Controller: Control and Status, Memory Pointer, Frame Counter and Root Hub.

Table 20-9. USB Host Controller Registers

ADDRESS OFFSET	NAME	DESCRIPTION
0X00	HcRevision	HCI Specification Revision number register
0X04	HcControl	Host Controller operating mode register
0x08	HcCommandStatus	Command and status register
0x0C	HcInterruptStatus	Interrupt status and clear register
0x10	HcInterruptEnable	Interrupt enable register
0x14	HcInterruptDisable	Interrupt enable clear register
0x18	HcHCCA	Host Controller communication area register
0x1C	HcPeriodCurrentED	Current Isochronous or Interrupt Endpoint address register
0x20	HcControlHeadED	First Control Endpoint Descriptor address register
0x24	HcControlCurrentED	Current Control Endpoint Description address register
0x28	HcBulkHeadED	First Bulk Endpoint Descriptor address register
0x2C	HcBulkCurrentED	Current Bulk Endpoint Descriptor address register
0x30	HcDoneHead	Last completed Transfer Descriptor address register
0x34	HcFmInterval	Frame bit-time interval register
0x38	HcFmRemaining	Remaining current frame bit time register
0x3C	HcFmNumber	Current Frame Number register
0x40	HcPeriodicStart	Periodic List processing start time register
0x44	HcLSThreshold	Low Speed Threshold register
0x48	HcRhDescriptorA	Root Hub Description definition register A
0x4C	HcRhDescriptorB	Root Hub Description definition register B
0x50	HcRhStatus	Root Hub Status register
0x54	HcRhPortStatus[1]	Root Hub Port Status register for port 1
0x58	HcRhPortStatus[2]	Root Hub Port Status register for port 2

IMPORTANT: Before setting up any of the Host controller registers it is necessary to set the USH_EN bit (bit 28 of the PWRCNT register, outlined in the Clock and State Controller (CSC) section).

20.2.2 Register Descriptions

The following sections describe the contents and use of the register bit fields.

20.2.2.1 Revision Register (HcRevision)

This register contains a BCD representation of the version of the HCI specification implemented by the LH7A404.

Table 20-10. HcRevision Register

BIT	31	30	29	28	27	26	25	24	23	22	21	20	19	18	17	16
FIELD	///															
RESET	0	0	0	0	0	0	0	0	0	0	0	0	0	0	0	0
TYPE	RO	RO	RO	RO	RO	RO	RO	RO	RO	RO	RO	RO	RO	RO	RO	RO
BIT	15	14	13	12	11	10	9	8	7	6	5	4	3	2	1	0
FIELD	///								REV							
RESET	0	0	0	0	0	0	0	0	0	0	0	1	0	0	0	0
TYPE	RO	RO	RO	RO	RO	RO	RO	RO	RO	RO	RO	RO	RO	RO	RO	RO
ADDR	0X8000.9000															

Table 20-11. HcRevision Fields

BITS	NAME	DESCRIPTION
31:8	///	Reserved Reading returns 0. Values written cannot be read.
7:0	REV	HCI Specification Revision This field contains a BCD representation of the revision of the HCI Specification that the LH7A404 implements. The MSB is the integer value and the LSB is the tenths value. For example '15' represents Revision 1.5.

20.2.2.2 Control Register (HcControl)

The HcControl register defines the operating modes for the Host Controller.

Table 20-12. HcControl Register

BIT	31	30	29	28	27	26	25	24	23	22	21	20	19	18	17	16
FIELD	///															
RESET	0	0	0	0	0	0	0	0	0	0	0	0	0	0	0	0
TYPE	RO	RO	RO	RO	RO	RO	RO	RO	RO	RO	RO	RO	RO	RO	RO	RO
BIT	15	14	13	12	11	10	9	8	7	6	5	4	3	2	1	0
FIELD	///							IR	HCFS		BLE	CLE	IE	PLE	CBSR	
RESET	0	0	0	0	0	0	0	0	0	0	0	0	0	0	0	0
TYPE	RO	RO	RO	RO	RO	RO	RO	RW	RW	RW	RW	RW	RW	RW	RW	RW
ADDR	0X8000.9004															

Table 20-13. HcControl Fields

BITS	NAME	DESCRIPTION
31:9	///	Reserved Reading returns 0. Write the reset value.
8	IR	Interrupt Routing This bit specifies routing of interrupts listed in the HcInterruptStatus register. The System Management Mode is not implemented, so the System Management Interrupt is likewise not implemented (if it were implemented, System Management Interrupt would be selected by programming this bit to 1). Therefore, this bit should always be written with 0. This bit defaults to 0 following reset. 1 = Invalid 0 = Normal Host Controller interrupt to VIC
7:6	HCFS	Host Controller Functional State This field shows the state in which the Host Controller is currently functioning. A transition from one state to another causes a Start of Frame (SOF) to be generated 1 ms later. Software can determine if the Host Controller is sending SOFs by reading the SOF field in the HcInterruptStatus register. 00 = USB Reset state 01 = USB Resume state 10 = USB Operational state 11 = USB Suspend state
5	BLE	Bulk List Enable This bit enables processing the Bulk List. Each time the controller switches to Bulk List processing, it checks this bit. Programming this bit takes effect after the next Start of Frame. 1 = Process Bulk List 0 = Bulk List processing disabled; Software may modify the Bulk List. If the HcBulkCurrentED register points to an Endpoint Descriptor to be removed, software must update HcControlCurrentED before re-enabling this bit.

Table 20-13. HcControl Fields

BITS	NAME	DESCRIPTION
4	CLE	<p>Control List Enable This bit enables processing the Control List. Each time the controller switches to Control List processing, it checks this bit. Programming this bit takes effect after the next Start of Frame.</p> <p>1 = Process Control List 0 = Control List processing disabled; Software may modify the Control List. If the HcControlCurrentED register points to an Endpoint Descriptor to be removed, software must update HcControlCurrentED before re-enabling this bit.</p>
3	IE	<p>Isochronous Enable This bit enables Isochronous Endpoint Descriptor processing. When processing the Periodic List, this bit is checked if an Isochronous Endpoint Descriptor is encountered. Programming this bit take effect after the next Start of Frame.</p> <p>1 = Continue processing if Isochronous Endpoint encountered 0 = Switch from Periodic List to Bulk/Control list processing</p>
2	PLE	<p>Periodic List Enable This bit enables Period List processing for the next frame. If disabled, Periodic List processing will not occur until the next Start of Frame.</p> <p>1 = Periodic List processing enabled 0 = Periodic List processing disabled</p>
1:0	CBSR	<p>Control Bulk Service Ratio This field specifies the service ratio between Control and Bulk Endpoint Descriptors. Before processing any nonperiodic lists, the Host Controller compares the ratio specified in these two bits with the internal count of the non-empty Control Endpoint Descriptors have been processed to determine whether to serve another Control Endpoint or switch to Bulk.</p> <p>00 = 1:1 ratio of Control Endpoints to Bulk Endpoints served 01 = 2:1 ratio of Control Endpoints to Bulk Endpoints served 10 = 3:1 ratio of Control Endpoints to Bulk Endpoints served 11 = 4:1 ratio of Control Endpoints to Bulk Endpoints served</p>

20.2.2.3 Command and Status Register (HcCommandStatus)

The HcCommandStatus register allows software to send commands to the Host Controller, and also allows software to read the status of the Host Controller.

Table 20-14. HcCommandStatus Register

BIT	31	30	29	28	27	26	25	24	23	22	21	20	19	18	17	16
FIELD	///													SOC		
RESET	0	0	0	0	0	0	0	0	0	0	0	0	0	0	0	0
TYPE	RO	RO	RO	RO	RO	RO	RO	RO	RO	RO	RO	RO	RO	RO	RW	RW
BIT	15	14	13	12	11	10	9	8	7	6	5	4	3	2	1	0
FIELD	///												OCF	BLF	CLF	HCR
RESET	0	0	0	0	0	0	0	0	0	0	0	0	0	0	0	0
TYPE	RO	RO	RO	RO	RO	RO	RO	RO	RO	RO	RO	RO	RW	RW	RW	RW
ADDR	0X8000.9008															

Table 20-15. HcCommandStatus Fields

BITS	NAME	DESCRIPTION
31:18	///	Reserved Reading returns 0. Write the reset value.
17:16	SOC	Scheduling Overrun Count This field indicates the number of frames in which scheduling overrun errors occurred. An overrun occurs when the Periodic List does not complete prior to an End of Frame (EOF). In addition to this bit, the SO interrupt is set in the HcInterruptStatus register, thus upon processing the interrupt, this register can be read to determine the number of overruns that occurred. The field rolls over from 0b11 to 0b00.
15:4	///	Reserved Reading returns 0. Write the reset value.
3	OCR	Ownership Change Request Software programs this bit to 1 to request a change of control of the Host Controller. When set to 1, the Host Controller sets the Ownership Change (OC) bit in the HcInterruptStatus register. Following changeover this bit is reset to 0 and remains so until the next request from software. 1 = Software requests change in Host Controller ownership 0 = No change
2	BLF	Bulk List Filled This bit is programmed to 1 by the driver software when it places a Transfer Descriptor (TD) on the Bulk List. The Host Controller begins processing the list, leaving this bit at 1 as long as there remain TDs on the list. When the list of TDs is complete, the Host Controller programs this bit to 0 and Bulk List processing terminates. 1 = TDs are present on the Bulk List 0 = No TDs remain on the Bulk List
1	CLF	Control List Filled This bit is programmed to 1 by the driver software when it places a TD on the Control List. The Host Controller begins processing the list, leaving this bit at 1 as long as there remain TDs on the list. When the list of TDs is complete, the Host Controller programs this bit to 0 and Control List processing terminates. 1 = TDs are present on the Control List 0 = No TDs remain on the Control List
0	HCR	Host Controller Reset Software programs this bit to 1 to initiate a software reset of the Host Controller. Regardless of the Host Controller state, it moves directly to the USB Suspend state and resets all operational registers. This reset does not cause a reset to the Root Hub. The reset operation completes within 10 μ s, and then the Host Controller resets this bit to 0. 1 = Implement software reset 0 = No software reset in progress

20.2.2.4 Interrupt Status Register (HcInterruptStatus)

This register provides the status of the Host Controller interrupts. This register reflects the status of those interrupts of all interrupts enabled in the HcInterruptEnable register. Software clears these bits by writing a 1 to the particular bit to be cleared. These bits remain set until cleared by software.

It is recommended that when doing isochronous transfers, or when doing multiple control transfers when the AHB bus clock is above 37.5 MHz, that some delay be inserted between the Interrupt Mask read and the Interrupt Status read. This can be guaranteed by making two consecutive Reads and discarding the first result. Otherwise an 'unrecoverable error' may be reported when there is none.

Table 20-16. HcInterruptStatus Register

BIT	31	30	29	28	27	26	25	24	23	22	21	20	19	18	17	16	
FIELD	///	OC	///														
RESET	0	0	0	0	0	0	0	0	0	0	0	0	0	0	0	0	
TYPE	RO	RW	RO	RO	RO	RO	RO	RO	RO	RO	RO	RO	RO	RO	RO	RO	
BIT	15	14	13	12	11	10	9	8	7	6	5	4	3	2	1	0	
FIELD	///										RHSC	FNO	UE	RD	SF	WDH	SO
RESET	0	0	0	0	0	0	0	0	0	0	0	0	0	0	0	0	
TYPE	RO	RO	RO	RO	RO	RO	RO	RO	RO	RW	RW	RW	RW	RW	RW	RW	
ADDR	0X8000.900C																

Table 20-17. HcInterruptStatus Fields

BITS	NAME	DESCRIPTION
31	///	Reserved Reading returns 0. Write the reset value.
30	OC	Ownership Change Interrupt This bit is set to 1 in response to software setting HcCommandStatus:OCR. When unmasked, a System Management interrupt is also immediately generated. 1 = Ownership Change Interrupt enabled and pending 0 = Ownership Change interrupt not pending or not enabled
29:7	///	Reserved Reading returns 0. Write the reset value.
6	RHSC	Root Hub Status Change Interrupt This bit indicates when the contents of either the HcRhStatus or the HcRhPortStatus register has changed. 1 = Contents of either HcRhStatus or HcRhPortStatus has changed and this interrupt is enabled 0 = No change to the contents of either HcRhStatus or HcRhPortStatus, or interrupt disabled
5	FNO	Frame Number Overflow Interrupt This bit is set when the frame number counter overflows. 1 = Frame number counter has overflowed and this interrupt is enabled 0 = No overflow condition, or interrupt disabled

Table 20-17. HcInterruptStatus Fields

BITS	NAME	DESCRIPTION
4	UE	<p>Unrecoverable Error Interrupt This bit indicates that a system error not related to the USB has occurred. The error must be corrected by software and then a software reset issued to the USB Host Controller.</p> <p>1 = Unrecoverable Error and this interrupt is enabled 0 = No unrecoverable error, or interrupt disabled</p>
3	RD	<p>Resume Detected Interrupt This bit is set when Host Controller detects a device asserting resume signalling.</p> <p>1 = USB Device asserting resume signalling and this interrupt is enabled 0 = No USB Device detected asserting resume signalling, or interrupt disabled</p>
2	SF	<p>Start of Frame Interrupt This bit is set at the beginning of each frame.</p> <p>1 = New frame begun and this interrupt is enabled 0 = New frame cleared, or interrupt disabled</p>
1	WDH	<p>Writeback Done Head Interrupt This bit is set so that software can determine when the Host Controller has completed a TD. Software must clear this bit after saving the contents of HccaDoneHead. No further updates to HccaDoneHead will occur until this bit has been cleared to 0.</p> <p>1 = TD completed and this interrupt is enabled 0 = No pending TD, or interrupt disabled</p>
0	SO	<p>Scheduling Overrun Interrupt This bit is set to 1 when the USB schedule for the current frame overruns. A scheduling overrun also causes HcCommandStatus: SOC to be incremented.</p> <p>1 = Scheduling Overrun has occurred and this interrupt is enabled 0 = No Scheduling Overrun, or interrupt disabled</p>

20.2.2.5 Interrupt Enable Register (HcInterruptEnable)

This register allows enabling individual interrupts, as well as global interrupt enabling.

The enabled interrupt bits cannot be disabled by writing a 0 to this register; they must be disabled by writing to the HcInterruptDisable register. Reading this register returns the current value.

Table 20-18. HcInterruptEnable Register

BIT	31	30	29	28	27	26	25	24	23	22	21	20	19	18	17	16	
FIELD	MIE	OCE	///														
RESET	0	0	0	0	0	0	0	0	0	0	0	0	0	0	0	0	
TYPE	RW	RW	RO	RO	RO	RO	RO	RO	RO	RO	RO	RO	RO	RO	RO	RO	
BIT	15	14	13	12	11	10	9	8	7	6	5	4	3	2	1	0	
FIELD	///										RHSCE	FNOE	UEE	RDE	SFE	WDHE	SOE
RESET	0	0	0	0	0	0	0	0	0	0	0	0	0	0	0	0	
TYPE	RO	RO	RO	RO	RO	RO	RO	RO	RO	RW	RW	RW	RW	RW	RW	RW	
ADDR	0X8000.9010																

Table 20-19. HcInterruptEnable Fields

BITS	NAME	DESCRIPTION
31	MIE	Master Interrupt Enable This bit must be set to globally enable interrupts. 1 = Enable all interrupts 0 = No change
30	OCE	Ownership Change Interrupt Enable 1 = Enable interrupt 0 = No change
29:7	///	Reserved Reading returns 0. Write the reset value.
6	RHSCE	Root Hub Status Change Interrupt Enable 1 = Enable interrupt 0 = No change
5	FNOE	Frame Number Overflow Interrupt Enable 1 = Enable interrupt 0 = No change
4	UEE	Unrecoverable Error Interrupt Enable 1 = Enable interrupt 0 = No change
3	RDE	Resume Detect Interrupt Enable 1 = Enable interrupt 0 = No change
2	SFE	Start of Frame Interrupt Enable 1 = Enable interrupt 0 = No change
1	WDHE	Writeback Done Head Interrupt Enable 1 = Enable interrupt 0 = No change
0	SOE	Scheduling Overrun Interrupt Enable 1 = Enable interrupt 0 = No change

20.2.2.6 Interrupt Disable Register (HcInterruptDisable)

Each bit in the Interrupt Clear register corresponds to a bit in the HcInterruptStatus register. Writing a 1 to a bit clears the corresponding bit in the HcInterruptEnable register to 0. When read, this register contains the current value of the HcInterruptEnable register.

Table 20-20. HcInterruptDisable Register

BIT	31	30	29	28	27	26	25	24	23	22	21	20	19	18	17	16
FIELD	MID	OCD	///													
RESET	0	0	0	0	0	0	0	0	0	0	0	0	0	0	0	0
TYPE	RW	RW	RO	RO	RO	RO	RO	RO	RO	RO	RO	RO	RO	RO	RO	RO
BIT	15	14	13	12	11	10	9	8	7	6	5	4	3	2	1	0
FIELD	///									RHSCD	FNOD	UED	RDD	SFD	WDHD	SOD
RESET	0	0	0	0	0	0	0	0	0	0	0	0	0	0	0	0
TYPE	RO	RO	RO	RO	RO	RO	RO	RO	RO	RW	RW	RW	RW	RW	RW	RW
ADDR	0X8000.9014															

Table 20-21. HcInterruptDisable Fields

BITS	NAME	DESCRIPTION
31	MID	Master Interrupt Disable Disables all interrupts when 1. 1 = Disable all interrupts 0 = No change
30	OCD	Ownership Change Interrupt Disable 1 = Disable interrupt 0 = No change
29:7	///	Reserved Reading returns 0. Write the reset value.
6	RHSCD	Root Hub Status Change Interrupt Disable 1 = Disable interrupt 0 = No change
5	FNOD	Frame Number Overflow Interrupt Disable 1 = Disable interrupt 0 = No change
4	UED	Unrecoverable Error Interrupt Disable 1 = Disable interrupt 0 = No change
3	RDD	Resume Detect Interrupt Disable 1 = Disable interrupt 0 = No change
2	SFD	Start of Frame Interrupt Disable 1 = Disable interrupt 0 = No change
1	WDHD	Writeback Done Head Interrupt Disable 1 = Disable interrupt 0 = No change
0	SOD	Scheduling Overrun Interrupt Disable 1 = Disable interrupt 0 = No change

20.2.2.7 Host Controller Communication Area Register (HcHCCA)

This register contains the physical address of the Host Controller Communication Area (HCCA). Software can determine alignment restrictions by writing all 1s to the HcHCCA and then reading it back. Bits 7:0 always read as 0s, corresponding to the minimum alignment of 256 bytes.

Table 20-22. HcHCCA Register

BIT	31	30	29	28	27	26	25	24	23	22	21	20	19	18	17	16
FIELD	HCCA															
RESET	0	0	0	0	0	0	0	0	0	0	0	0	0	0	0	0
TYPE	RW	RW	RW	RW	RW	RW	RW	RW	RW	RW	RW	RW	RW	RW	RW	RW
BIT	15	14	13	12	11	10	9	8	7	6	5	4	3	2	1	0
FIELD	HCCA								///							
RESET	0	0	0	0	0	0	0	0	0	0	0	0	0	0	0	0
TYPE	RW	RW	RW	RW	RW	RW	RW	RW	RO	RO	RO	RO	RO	RO	RO	RO
ADDR	0X8000.9018															

Table 20-23. HcHCCA Fields

BITS	NAME	DESCRIPTION
31:8	HCCA	Host Controller Communication Area This value is the base address of the Host Controller Communication Area. It must be aligned on a 256-byte boundary, such that bits 7:0 are 0x0.
7:0	///	Reserved Reading returns 0. Write the reset value.

20.2.2.8 Current Periodic List Pointer Register (HcPeriodCurrentED)

This register contains the physical address of the current Isochronous or Interrupt Endpoint Descriptor.

Table 20-24. HcPeriodCurrent Register

BIT	31	30	29	28	27	26	25	24	23	22	21	20	19	18	17	16
FIELD	PCED															
RESET	0	0	0	0	0	0	0	0	0	0	0	0	0	0	0	0
TYPE	RO	RO	RO	RO	RO	RO	RO	RO	RO	RO	RO	RO	RO	RO	RO	RO
BIT	15	14	13	12	11	10	9	8	7	6	5	4	3	2	1	0
FIELD	PCED												///			
RESET	0	0	0	0	0	0	0	0	0	0	0	0	0	0	0	0
TYPE	RO	RO	RO	RO	RO	RO	RO	RO	RO	RO	RO	RO	RO	RO	RO	RO
ADDR	0X8000.901C															

Table 20-25. HcPeriodCurrent Fields

BITS	NAME	DESCRIPTION
31:4	PCED	Period Current Endpoint Descriptor This field returns the address of the head of one of the periodic lists that will be processed in the current frame. The register content is updated immediately upon process completion of a periodic endpoint.
3:0	///	Reserved Reading returns 0. Write the reset value.

20.2.2.9 Control List First Endpoint Address Register (HcControlHeadED)

This register contains the physical address of the first Endpoint Descriptor of the Control List.

Table 20-26. HcControlHeadED Register

BIT	31	30	29	28	27	26	25	24	23	22	21	20	19	18	17	16
FIELD	CHED															
RESET	0	0	0	0	0	0	0	0	0	0	0	0	0	0	0	0
TYPE	RW	RW	RW	RW	RW	RW	RW	RW	RW	RW	RW	RW	RW	RW	RW	RW
BIT	15	14	13	12	11	10	9	8	7	6	5	4	3	2	1	0
FIELD	CHED												///			
RESET	0	0	0	0	0	0	0	0	0	0	0	0	0	0	0	0
TYPE	RW	RW	RW	RW	RW	RW	RW	RW	RW	RW	RW	RW	RO	RO	RO	RO
ADDR	0X8000.9020															

Table 20-27. HcControlHeadED Fields

BITS	NAME	DESCRIPTION
31:4	CHED	Control Head Endpoint Descriptor This field contains the physical address of the first Endpoint Descriptor of the Control List. This value is loaded from the HCCA during initialization of the Host Controller.
3:0	///	Reserved Reading returns 0. Write the reset value.

20.2.2.10 Control List Current Endpoint Address Register (HcControlCurrentED)

This register contains the physical address of the current Control List Endpoint Descriptor.

Table 20-28. HcControlCurrentED Register

BIT	31	30	29	28	27	26	25	24	23	22	21	20	19	18	17	16
FIELD	CCED															
RESET	0	0	0	0	0	0	0	0	0	0	0	0	0	0	0	0
TYPE	RW	RW	RW	RW	RW	RW	RW	RW	RW	RW	RW	RW	RW	RW	RW	RW
BIT	15	14	13	12	11	10	9	8	7	6	5	4	3	2	1	0
FIELD	CCED												///			
RESET	0	0	0	0	0	0	0	0	0	0	0	0	0	0	0	0
TYPE	RW	RW	RW	RW	RW	RW	RW	RW	RW	RW	RW	RW	RO	RO	RO	RO
ADDR	0X8000.9024															

Table 20-29. HcControlCurrentED Fields

BITS	NAME	DESCRIPTION
31:4	CCED	Control Current Endpoint Descriptor This field returns the address of the current endpoint in the Control List that will be processed in the current frame. When the end of the Control List is encountered, the HcCommandStatus:CLF bit determines the next action. If 1, the contents of HcControlHeadED is copied to this register and the CLF bit is cleared to 0. If the CLF bit is 0, no more Control List endpoints are processed.
3:0	///	Reserved Reading returns 0. Write the reset value.

20.2.2.11 Bulk List First Endpoint Address Register (HcBulkHeadED)

The address of the first Bulk Endpoint Descriptor is contained in this register.

Table 20-30. HcBulkHeadED Register

BIT	31	30	29	28	27	26	25	24	23	22	21	20	19	18	17	16
FIELD	BHED															
RESET	0	0	0	0	0	0	0	0	0	0	0	0	0	0	0	0
TYPE	RW	RW	RW	RW	RW	RW	RW	RW	RW	RW	RW	RW	RW	RW	RW	RW
BIT	15	14	13	12	11	10	9	8	7	6	5	4	3	2	1	0
FIELD	BHED												///			
RESET	0	0	0	0	0	0	0	0	0	0	0	0	0	0	0	0
TYPE	RW	RW	RW	RW	RW	RW	RW	RW	RW	RW	RW	RW	RO	RO	RO	RO
ADDR	0X8000.9028															

Table 20-31. HcBulkHeadED Fields

BITS	NAME	DESCRIPTION
31:4	BHED	Bulk Head Endpoint Descriptor This field returns the address of the first Bulk Endpoint to be processed.
3:0	///	Reserved Reading returns 0. Write the reset value.

20.2.2.12 Bulk List Current Endpoint Address Register (HcBulkCurrentED)

This register contains the physical address of the current Bulk endpoint. Since the Bulk list is serviced round-robin, the endpoints in the list are stored by insertion order.

Table 20-32. HcBulkCurrentED Register

BIT	31	30	29	28	27	26	25	24	23	22	21	20	19	18	17	16
FIELD	BCED															
RESET	0	0	0	0	0	0	0	0	0	0	0	0	0	0	0	0
TYPE	RW	RW	RW	RW	RW	RW	RW	RW	RW	RW	RW	RW	RW	RW	RW	RW
BIT	15	14	13	12	11	10	9	8	7	6	5	4	3	2	1	0
FIELD	BCED												///			
RESET	0	0	0	0	0	0	0	0	0	0	0	0	0	0	0	0
TYPE	RW	RW	RW	RW	RW	RW	RW	RW	RW	RW	RW	RW	RO	RO	RO	RO
ADDR	0X8000.902C															

Table 20-33. HcBulkCurrentED Fields

BITS	NAME	DESCRIPTION
31:4	BCED	Bulk Current Endpoint Descriptor This field returns the address of the current endpoint in the Bulk List that will be processed in the current frame. When the end of the Bulk List is encountered, the HcCommandStatus:BLF bit determines the next action. If 1, the contents of HcBulkHeadED is copied to this register and the BLF bit is cleared to 0. If the BLF bit is 0, no more Bulk List endpoints are processed.
3:0	///	Reserved Reading returns 0. Write the reset value.

20.2.2.13 Last Completed Transfer Descriptor Register (HcDoneHead)

The address of the last completed Transfer Descriptor (TD) that was added to the Done queue can be read from this register. In normal operation, software should not need to read this register as the content is periodically written to the HCCA.

Table 20-34. HcDoneHead Register

BIT	31	30	29	28	27	26	25	24	23	22	21	20	19	18	17	16
FIELD	DH															
RESET	0	0	0	0	0	0	0	0	0	0	0	0	0	0	0	0
TYPE	RO	RO	RO	RO	RO	RO	RO	RO	RO	RO	RO	RO	RO	RO	RO	RO
BIT	15	14	13	12	11	10	9	8	7	6	5	4	3	2	1	0
FIELD	DH												///			
RESET	0	0	0	0	0	0	0	0	0	0	0	0	0	0	0	0
TYPE	RO	RO	RO	RO	RO	RO	RO	RO	RO	RO	RO	RO	RO	RO	RO	RO
ADDR	0X8000.9030															

Table 20-35. HcDoneHead Fields

BITS	NAME	DESCRIPTION
31:4	DH	Done Head When a TD is completed, the address in DH becomes the next TD pointer and a new address is written to this field.
3:0	///	Reserved Reading returns 0. Write the reset value.

20.2.2.14 Frame Bit Time Interval Register (HcFmInterval)

Bits 30:16 of this register specify the Full Speed Maximum Packet Size that can be used without causing a scheduling overrun. Bits 13:0 specify the Frame Interval (i.e. the time between two consecutive SOFs). Software can adjust the Frame Interval at any time to synchronize with an external clocking resource. The new Frame Interval takes effect at the next SOF.

Table 20-36. HcFmInterval Register

BIT	31	30	29	28	27	26	25	24	23	22	21	20	19	18	17	16
FIELD	FIT		FSMPS													
RESET	0	0	0	0	0	0	0	0	0	0	0	0	0	0	0	0
TYPE	RW	RW	RW	RW	RW	RW	RW	RW	RW	RW	RW	RW	RW	RW	RW	RW
BIT	15	14	13	12	11	10	9	8	7	6	5	4	3	2	1	0
FIELD	///		FI													
RESET	0	0	1	0	1	1	1	0	1	1	0	1	1	1	1	1
TYPE	RO	RO	RW	RW	RW	RW	RW	RW	RW	RW	RW	RW	RW	RW	RW	RW
ADDR	0X8000.9034															

Table 20-37. HcFmInterval Fields

BITS	NAME	DESCRIPTION
31	FIT	Frame Interval Toggle Software must toggle this bit each time it loads a new value to the Frame Interval (FI) field (bits 13:0).
30:16	FSMPS	Full Speed Maximum Packet Size This field is used to specify the value that is loaded into the Largest Data Packet Counter at the start of each frame. The counter value is the largest number of data (in bits) that can be send or received by the Host Controller in a single transaction at any given time without causing a scheduling overrun. Software must calculate and supply this value.
15:14	///	Reserved Reading returns 0. Write the reset value.
13:0	FI	Frame Interval The FI field specifies the interval (in bit times) between two consecutive SOFs. The reset value is 0x2EDF. Software can write any required value in this field. Driver software should store the current value of this field before resetting the Host Controller. The driver can then restore to pre-reset value upon completions of the reset sequence.

20.2.2.15 Current Frame Remaining Time Register (HcFmRemaining)

This register allows reading a 14-bit down-counter showing the bit time remaining in the current frame. The value changes dynamically as the frame is transmitted.

Table 20-38. HcFmRemaining Register

BIT	31	30	29	28	27	26	25	24	23	22	21	20	19	18	17	16
FIELD	FRT	///														
RESET	0	0	0	0	0	0	0	0	0	0	0	0	0	0	0	0
TYPE	RO	RO	RO	RO	RO	RO	RO	RO	RO	RO	RO	RO	RO	RO	RO	RO
BIT	15	14	13	12	11	10	9	8	7	6	5	4	3	2	1	0
FIELD	///		FR													
RESET	0	0	0	0	0	0	0	0	0	0	0	0	0	0	0	0
TYPE	RO	RO	RO	RO	RO	RO	RO	RO	RO	RO	RO	RO	RO	RO	RO	RO
ADDR	0X8000.9038															

Table 20-39. HcFmRemaining Fields

BITS	NAME	DESCRIPTION
31	FRT	Frame Remaining Toggle This bit is used by the software to synchronize between Frame Interval and Frame Remaining. It is loaded from HcFmInterval:FIT whenever the FR field reaches 0.
30:14	///	Reserved Reading returns 0. Write the reset value.
13:0	FR	Frame Remaining This field contains the remaining time (in bits) for the current frame.

20.2.2.16 Frame Number Register (HcFmNumber)

This register is incremented when HcFmRemaining is reloaded and can be used as a timing reference among other events that software coordinates.

Table 20-40. HcFmNumber Register

BIT	31	30	29	28	27	26	25	24	23	22	21	20	19	18	17	16
FIELD	///															
RESET	0	0	0	0	0	0	0	0	0	0	0	0	0	0	0	0
TYPE	RO	RO	RO	RO	RO	RO	RO	RO	RO	RO	RO	RO	RO	RO	RO	RO
BIT	15	14	13	12	11	10	9	8	7	6	5	4	3	2	1	0
FIELD	FN															
RESET	0	0	0	0	0	0	0	0	0	0	0	0	0	0	0	0
TYPE	RO	RO	RO	RO	RO	RO	RO	RO	RO	RO	RO	RO	RO	RO	RO	RO
ADDR	0X8000.903C															

Table 20-41. HcFmNumber Fields

BITS	NAME	DESCRIPTION
31:16	///	Reserved Reading returns 0. Write the reset value.
15:0	FN	Frame Number This field contains the current frame number. It is incremented each time HcFmRemaining is reloaded. The value rolls from 0xFFFF to 0x0 when counting.

20.2.2.17 Periodic Start Register (HcPeriodicStart)

Software programs this register with the 14-bit value specifying the earliest time the Host Controller should begin processing the Periodic List.

Table 20-42. HcPeriodicStart Register

BIT	31	30	29	28	27	26	25	24	23	22	21	20	19	18	17	16
FIELD	///															
RESET	0	0	0	0	0	0	0	0	0	0	0	0	0	0	0	0
TYPE	RW	RW	RW	RW	RW	RW	RW	RW	RW	RW	RW	RW	RW	RW	RW	RW
BIT	15	14	13	12	11	10	9	8	7	6	5	4	3	2	1	0
FIELD	///			PS												
RESET	0	0	0	0	0	0	0	0	0	0	0	0	0	0	0	0
TYPE	RO	RO	RW	RW	RW	RW	RW	RW	RW	RW	RW	RW	RW	RW	RW	RW
ADDR	0X8000.9040															

Table 20-43. HcPeriodicStart Fields

BITS	NAME	DESCRIPTION
31:14	///	Reserved Reading returns 0. Write the reset value.
13:0	PS	Periodic Start Software must program this field during initialization. When the HcFmInterval register reaches the value specified in this register, Periodic List processing assumes priority over Control and Bulk list processing. The programmed value should be roughly 10% of the HcFmInterval value; typically a value of 0x3E67 is a good starting point. Note that the reset value (0x2EDF may need to be changed to meet the requirements of the application design.)

20.2.2.18 Low Speed Threshold Register (HcLSThreshold)

The 12-bit value in this register specifies the number of frames at which to begin low speed transfers. It must be programmed at initialization of the Host Controller and not changed.

Table 20-44. HcLSThreshold Register

BIT	31	30	29	28	27	26	25	24	23	22	21	20	19	18	17	16
FIELD	///															
RESET	0	0	0	0	0	0	0	0	0	0	0	0	0	0	0	0
TYPE	RW	RW	RW	RW	RW	RW	RW	RW	RW	RW	RW	RW	RW	RW	RW	RW
BIT	15	14	13	12	11	10	9	8	7	6	5	4	3	2	1	0
FIELD	///					LST										
RESET	0	0	0	0	0	1	1	0	0	0	1	0	1	0	0	0
TYPE	RO	RO	RO	RO	RW	RW	RW	RW	RW	RW	RW	RW	RW	RW	RW	RW
ADDR	0X8000.9044															

Table 20-45. HcLSThreshold Fields

BITS	NAME	DESCRIPTION
31:12	///	Reserved Reading returns 0. Write the reset value.
11:0	LST	Low Speed Threshold This field contains the value to be compared with the HcFmRemaining: FR field prior to initializing a Low Speed Transaction. The Low Speed Transaction is started only if FR is greater-than, or equal-to LST. Software must determine this value based on transmission and setup overhead. The reset value is 0x628.

20.2.2.19 Root Hub Descriptor A Register (HcRhDescriptorA)

This register, along with HcRhDescriptorB, is used by software to specify the characteristics of the Root Hub.

Table 20-46. HcRhDescriptorA Register

BIT	31	30	29	28	27	26	25	24	23	22	21	20	19	18	17	16
FIELD	POTPGT								///							
RESET	0	0	0	0	0	0	1	0	0	0	0	0	0	0	0	0
TYPE	RW	RW	RW	RW	RW	RW	RW	RW	RO	RO	RO	RO	RO	RO	RO	RO
BIT	15	14	13	12	11	10	9	8	7	6	5	4	3	2	1	0
FIELD	///			NOCP	OCPM	DT	NPS	PSM	NDP							
RESET	0	0	0	0	0	0	0	0	0	0	0	0	0	0	1	0
TYPE	RO	RO	RO	RW	RW	RO	RW	RW	RO	RO	RO	RO	RO	RO	RO	RO
ADDR	0X8000.9048															

Table 20-47. HcRhDescriptorA Fields

BITS	NAME	DESCRIPTION
31:24	POTPGT	Power On To Power Good Time This byte specifies the duration software must wait before accessing a powered-on port of the Root Hub. The duration is calculated as POTPGT × 2 ms. The reset value is 0x2 (4 ms).
23:13	///	Reserved Reading returns 0. Write the reset value.
12	NOCP	No Over Current Protection This bit describes how the overcurrent status for the Root Hub ports is reported. When this bit is 0, the OCPM bit specifies global or per-port reporting. 1 = No overcurrent protection supported 0 = Over-current status is reported collectively for all downstream ports
11	OCPM	Over Current Protection Mode This bit describes how the overcurrent status for the Root Hub ports is reported. At reset, this bit reflects the same mode as PowerSwitchingMode. This field is valid only if the NoOverCurrentProtection field is 0. 1 = Over-current status is reported on a per-port basis. (Note: in the LH7A404, there is only one overcurrent input pin. If an overcurrent condition occurs on any one port, it will be reported in both port status registers.) 0 = Over-current status is reported collectively for all downstream ports
10	DT	Device Type This bit specifies that the Root Hub is not a compound device. The Root Hub is <i>not</i> permitted to be a compound device. This bit always reads 0. 1 = Invalid 0 = Root Hub not compound device
9	NPS	No Power Switching This bit specifies whether power switching is supported or port are always powered. When this bit is 0, PSM (bit 8) becomes functional. 1 = Ports are always powered on when the HC is powered on 0 = Ports are power switched
8	PSM	Power Switching Mode This bit specifies control of the Root Hub port power switching for Port 0. This bit is only valid if the No Power Switching field is 0; HcRhPortStatus: PPS must be set for this bit to be valid. 1 = Each port is powered individually. This mode allows port power to be controlled by either the global switch, or per port switching. If the PortPowerControlMask bit is 1, the port responds only to port power commands. If that bit is 0, the port is only controlled by a global switch. 0 = All ports are powered at the same time.
7:0	NDP	Number Downstream Ports This bit specifies the number of downstream ports supported by the Root Hub. The LH7A404 default value is 2.

20.2.2.20 Root Hub Descriptor B Register (HcRhDescriptorB)

This register, along with HcRhDescriptorA, is used by software to specify the characteristics of the Root Hub.

Table 20-48. HcRhDescriptorB Register

BIT	31	30	29	28	27	26	25	24	23	22	21	20	19	18	17	16
FIELD	///													PPCM		///
RESET	0	0	0	0	0	0	0	0	0	0	0	0	0	0	0	0
TYPE	RO	RO	RO	RO	RO	RO	RO	RO	RO	RO	RO	RO	RO	RW	RW	RW
BIT	15	14	13	12	11	10	9	8	7	6	5	4	3	2	1	0
FIELD	///													DR		///
RESET	0	0	0	0	0	0	0	0	0	0	0	0	0	0	0	0
TYPE	RW	RW	RW	RW	RW	RW	RW	RW	RW	RW	RW	RW	RW	RW	RW	RW
ADDR	0X8000.904C															

Table 20-49. HcRhDescriptorB Fields

BITS	NAME	DESCRIPTION
31:19	///	Reserved Reading returns 0. Write the reset value.
18:17	PPCM	<p>Port Power Control Mask These bits indicate if a port is affected by a global power control command when Power Switching Mode is set. When 1, the port's power state is only affected by per-port power control (Set/Clear Port Power). When 0, the port is controlled by the global power switch (Set/Clear Global Power). If the device is configured to global switching mode (HcRdDescriptorA:PSM = 0), this field is not valid.</p> <p>Bit 17: Ganged-power mask on Port 1 Bit 18: Ganged-power mask on Port 2</p> <p>For each bit: 1 = The port's power state is only affected by per-port power control 0 = The port is controlled by the global power switch</p>
16:3	///	Reserved Reading returns 0. Write the reset value.
2:1	DR	<p>Device Removable Each bit reflects the device removability for an individual Root Hub. When 0, the attached device is removable. When 1, the attached device is not removable.</p> <p>Bit 1: Device attached to Port 1 Bit 2: Device attached to Port 2</p> <p>For each bit: 1 = Attached device is not removable 0 = Attached device is removable</p>
0	///	Reserved Reading returns 0. Write the reset value.

20.2.2.21 Root Hub Status Register (HcRhStatus)

This register contains information regarding the Hub Status in the lower 16 bits, and the Hub Status Change in the upper 16 bits.

Table 20-50. HcRhStatus Register

BIT	31	30	29	28	27	26	25	24	23	22	21	20	19	18	17	16
FIELD	///														OCIC	LPSC
RESET	0	0	0	0	0	0	0	0	0	0	0	0	0	0	0	0
TYPE	RO	RO	RO	RO	RO	RO	RO	RO	RO	RO	RO	RO	RO	RO	RW	RW
BIT	15	14	13	12	11	10	9	8	7	6	5	4	3	2	1	0
FIELD	///														OCI	LPS
RESET	0	0	0	0	0	0	0	0	0	0	0	0	0	0	0	0
TYPE	RO	RO	RO	RO	RO	RO	RO	RO	RO	RO	RO	RO	RO	RO	RW	RW
ADDR	0X8000.9050															

Table 20-51. HcRhStatus Fields

BITS	NAME	DESCRIPTION
31:18	///	Reserved Reading returns 0. Write the reset value.
17	OCIC	Over Current Indicator Change This bit is set by the Host Controller when a change has occurred to the OCI bit. Software clears this bit by writing a 1. 1 = (Read) OCI bit has changed; (Write) reset this bit to 0 0 = No effect
16	LPSC	Local Power Status Change Writing a 1 to this bit when in global power mode (HcRhDescriptorA:PSM = 0) turns on power to all ports. When in per-port mode, only the ports with HcRhDescriptorB:PPCM = 0 have power turned on. This bit always reads as 0 because the local power status feature is not supported. 1 = (Read) Invalid; (Write) Turn on power to all ports in global mode, or selected ports in 0 = (Read) local power status not supported; (Write) no effect
15:2	///	Reserved Reading returns 0. Write the reset value.
1	OCI	Over Current Indicator This bit reports overcurrent conditions when global reporting is enabled. If per-port mode is implemented, this bit always reads as 0. 1 = Overcurrent condition exists 0 = All power operations are normal
0	LPS	Local Power Status/Clear Global Power Read (Local Power Status): When read, this bit always reads 0 since local power status is not supported. Write (Clear Global Power): When in the global power mode (HcRhDescriptorA:PSM = 0), this bit turns off power to all ports. In per-port mode, it clears power only to the ports whose HcRhDescriptorB:PPCM is 0. 1 = Turn off power to: all ports (global power mode), or selected ports (per-port mode) 0 = No effect

20.2.2.22 Root Hub Port Status Registers (HcRhPortStatus[2:1])

There is one HcRhPortStatus for each of the LH7A404's two downstream ports. These registers allow the status of each port to be read and the port to be configured by software. The registers contain both port status and status change data. Any changes written by software during a transaction will be postponed until the current transaction completes.

Table 20-52. HcRhPortStatus[2:1] Register

BIT	31	30	29	28	27	26	25	24	23	22	21	20	19	18	17	16
FIELD	///											PRSC	OCIC	PSSC	PESC	CSC
RESET	0	0	0	0	0	0	0	0	0	0	0	0	0	0	0	0
TYPE	RO	RO	RO	RO	RO	RO	RO	RO	RO	RO	RO	RW	RW	RW	RW	RW
BIT	15	14	13	12	11	10	9	8	7	6	5	4	3	2	1	0
FIELD	///						LSDA	PLS	///			PRS	POCI	PSS	PES	CCS
RESET	0	0	0	0	0	0	0	0	0	0	0	0	0	0	0	0
TYPE	RO	RO	RO	RO	RO	RO	RW	RW	RO	RO	RO	RW	RW	RW	RW	RW
ADDR	0X8000.9054 (Port 1) 0X8000.9058 (Port 2)															

Table 20-53. HcRhPortStatus[2:1] Fields

BITS	NAME	DESCRIPTION
31:21	///	Reserved Reading returns 0. Write the reset value.
20	PRSC	Port Reset Status Change This bit is set to 1 at the end of the 10 ms Port Reset signal. 1 = (Read) Port reset is complete; (Write) Clears (writes a 0) the PRSC bit; sets (writes 1) the PSSC bit 0 = (Read) Port reset is not complete; (Write) No effect
19	OCIC	Overcurrent Indication Change This bit is valid only if overcurrent conditions are reported on a per-port basis. It is set to 1 when the root hub changes the POCI bit. 1 = (Read) Change in Port Overcurrent Indicator; (Write) Clears (writes a 0) the OCIC bit 0 = (Read) No change in Port Overcurrent Indicator; (Write) No effect
18	PSSC	Port Suspend Status Change This bit is set to 1 when the full RESUME sequence has been completed. This sequence includes a 20 s resume pulse and a 3 ms re-synchronization delay. This bit is cleared (0) by software writing a 1 to this bit, and also when the PRSC bit is set to 1. 1 = (Read) Resume completed; (Write) Clears (writes a 0) the PSSC bit 0 = (Read) Resume is not completed; (Write) No effect
17	PESC	Port Enable Status Change This bit indicates that a hardware event has disabled the port by clearing (0) the PES bit. 1 = (Read) Change in Port Enable Status; (Write) Clears (writes a 0) the PESC bit 0 = (Read) No change in Port Enable Status; (Write) No effect
16	CSC	Connect Status Change This bit indicates that a connect or disconnect event has occurred. In addition, this bit is set to 1 when a port reset, enable, or suspend is attempted when the port is disconnected. This allows software to become aware that the port is disconnected when one of these commands was attempted. 1 = (Read) Connection status has changed; (Write) Clears (writes a 0) this bit 0 = (Read) No connection change; (Write) No effect

Table 20-53. HcRhPortStatus[2:1] Fields

BITS	NAME	DESCRIPTION
15:10	///	Reserved Reading returns 0. Write the reset value.
9	LSDA	Low Speed Device Attached This bit indicates the speed of the device attached to this port. This bit is only valid when CCS = 1. 1 = (Read) Low speed device attached; (Write) Clears (writes a 0) the PPS bit 0 = (Read) Full speed device attached; (Write) No effect
8	PPS	Port Power Status This bit reports the port's power status, regardless of the type of power switching that is implemented. This bit can be set by programming a 1 to this bit or to the HcRhStatus:LPSC bit to turn on Global Power control. If global power switching is used (HcRhDescriptorA:PSM = 0), only the global power commands affect this bit. If per-port switching is used (HcRhDescriptorA:PSM = 1), and the port power control mask (HcRhDescriptorB:PPCM = 1), the per-port commands affect this bit. Software clears this bit to 0 by writing a 1 to the LSDA bit (for per-port power control) or the HcRhStatus:LPS bit (for global power control). 1 = (Read) Port power is on; (Write) Sets this bit to 1. 0 = (Read) Port power is off; (Write) No effect
7:5	///	Reserved Reading returns 0. Write the reset value.
4	PRS	Port Reset Status This bit allows enabling port reset signalling and determining the port reset status. 1 = (Read) Port reset signalling is active; (Write) Programs this bit to 1 if CCS = 1; otherwise, it sets the CSC to 1, informing software that it attempted to reset a disconnected port. 0 = (Read) Port reset signalling is inactive; (Write) No effect
3	POCI	Port Overcurrent Indicator This bit is only valid when the root hub is configured for per-port overcurrent reporting. If per-port overcurrent reporting is not supported, this bit is always 0. 1 = (Read) Overcurrent condition detected; (Write) Initiates a USBRESUME condition if PSS = 1, otherwise, no effect. 0 = (Read) No overcurrent condition; (Write) No effect
2	PSS	Port Suspend Status This bit indicates whether the port is in the suspended or resume sequence. This bit is set to 1 by writing a 1, unless the CCS bit is 0, in which case PSS cannot be programmed to 1. This bit is cleared to 0 when the PSSC bit is set at the end of the resume interval, and when the PRSC bit is set at the end of the port reset or when the Host Controller is placed in the USBRESUME state. 1 = (Read) Port suspended; (Write) Sets this bit to 1 if the CCS bit is 1. If CCS is 0, the CSC bit is set to 1 instead of this bit, informing software that it has attempted to suspend a disconnected port. 0 = (Read) Port not suspended; (Write) No effect
1	PES	Port Enable Status This bit indicates whether the port is enabled or disabled. The root hub clears this bit when it detects an overcurrent condition, disconnect event, switched-off power, or an operational bus error, such as babble, is detected. This change also sets the PES bit to 1. Software can set this bit by writing a 1 to this bit, and can clear it by writing to the CCS bit. If the CCS bit is 0, this bit cannot be programmed to 1. 1 = (Read) Port enabled; (Write) Sets this bit to 1 if the CCS bit is 1. If CCS is 0, the CSC bit is set instead of this bit, informing software that it has attempted to enable a disabled port. 0 = (Read) Port disabled; (Write) No effect
0	CCS	Current Connect Status This bit shows the status of the downstream port. Note that this bit is always read as 1 when a non-removable device is connected to the port. 1 = (Read) Device connected; (Write) Clear PES bit to 0 0 = (Read) No device connected; (Write) No effect

Chapter 21

AC97 Controller

21.1 Theory of Operation

The LH7A404 AC97 Controller, shown in Figure 21-1, complies with the *Audio Codec '97 Component Specification v2.2*. It is assumed that the reader is familiar with Intel's AC97 Specification. It is highly recommended that the reader understand the AC97 protocol as described in the specification before reading this chapter, as a lot of the discussion pertains to the implementation of this protocol. The specification is available on the Internet at: <http://www.nxp.com/redirect/intel.com>

This AC97 Controller implements the five-pin serial interface to an external audio codec. This serial interface, called the AC-link, describes the physical and high-level functional aspects of the AC97 Controller to codec interface. Data handling and interface to the LH7A404 core is also handled by the AC97 Controller. The block diagram of the physical AC97 interface appears in Figure 21-1.

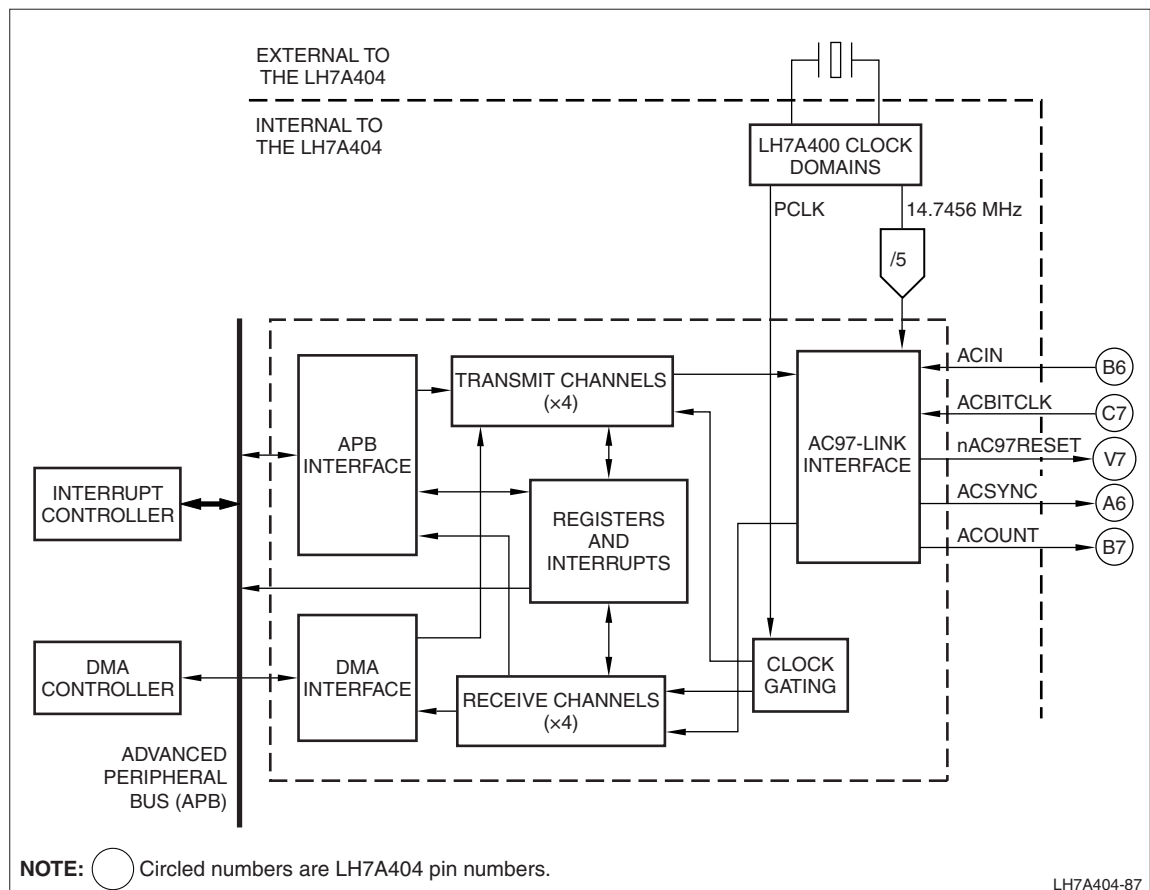
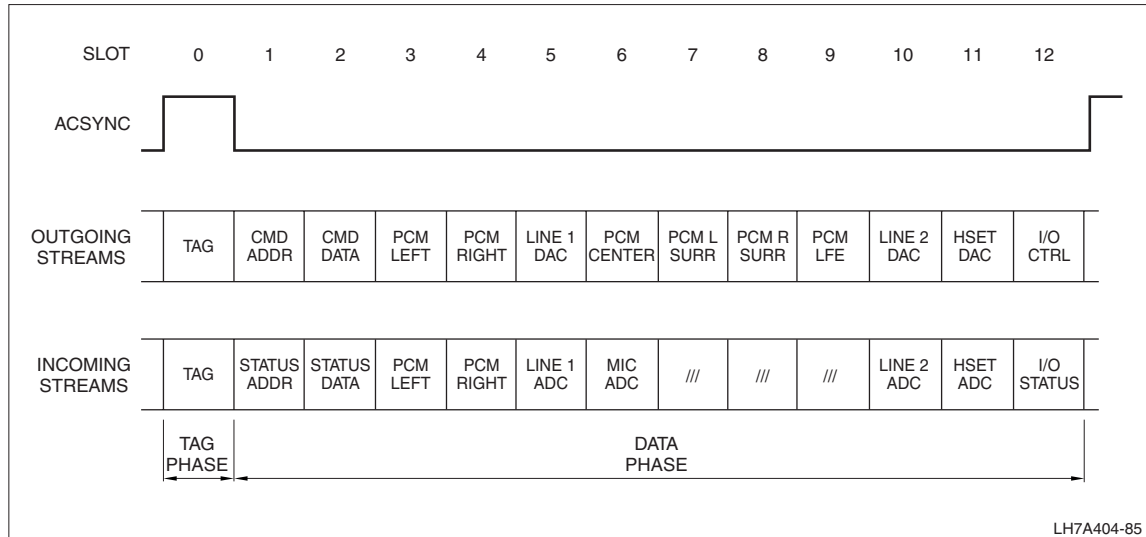


Figure 21-1. AC97 Block Diagram

21.1.1 Data Protocol

Each audio frame is divided into 12 outgoing and 12 incoming data stream time slots, or simply Slots. Each Slot has 20-bit sample resolution. The first three Slots and the 12th Slot contain control and status information and the remaining Slots contain the audio data in Pulse Code Modulation (PCM) format. An active HIGH Sync pulse indicates the beginning of Slot 0 in the data stream. Figure 21-2 illustrates the data stream. Table 21-1 and Table 21-2 define the contents of the outgoing and incoming Slots. More detailed information regarding the serial data streams appears in Section 21.1.4.



LH7A404-85

Figure 21-2. AC-Link Data Stream

Table 21-1. Outgoing Slot Definitions

SLOT	NAME	DESCRIPTION
0	TAG	Contains list of Slots with valid data and codec ID.
1	CMD ADDR	Codec register address and Read/Write command bit.
2	CMD DATA	Command register write data.
3	PCM LEFT	Left-channel PCM audio.
4	PCM RIGHT	Right-channel PCM audio.
5	LINE 1 DAC	Modem data for modem line 1 output.
6	PCM CENTER	PCM audio for surround sound center channel.
7	PCM L SURR	PCM audio for surround sound left channel.
8	PCM R SURR	PCM audio for surround sound right channel.
9	PCM LFE	PCM audio for surround sound LFE channel.
10	LINE 2 DAC	Modem data for modem line 2 output.
11	HSET DAC	Modem data for modem handset output.
12	I/O CNTRL	GPIO write channel for modem control.

Table 21-2. Incoming Slot Definitions

SLOT	NAME	DESCRIPTION
0	TAG	Contains list of Slots with valid data.
1	STATUS ADDR	Contains list of Slots requesting data and the echo register address.
2	STATUS DATA	Command register read data.
3	PCM LEFT	Left-channel PCM audio.
4	PCM RIGHT	Right-channel PCM audio.
5	LINE 1 ADC	Modem data for modem line 1 input.
6	MIC ADC	Optional third ADC input.
7	///	Reserved
8	///	Reserved
9	///	Reserved
10	LINE 2 ADC	Modem data for modem line 2 input.
11	HSET ADC	Modem data for modem handset input.
12	I/O STATUS	GPIO read channel for modem status.

21.1.2 AC97 Architecture

The AC97 Controller:

- Manages the AC-link
- Processes Slot data
- Interfaces to the DMA Controller
- Provides an interface to the AMBA APB.

The AC97 logic incorporates:

- Serial-to-parallel conversion on data received from the external codec
- Parallel-to-serial conversion on data transmitted to the external codec
- Reception and transmission of control and status information
- Up to four different sampling rates concurrently, using four transmit channels and four receive channels.

The transmit and receive paths are buffered with internal FIFO memories, storing data independently in both transmit and receive modes. The data for the FIFOs can be written or read via either the APB interface or the DMA Channels [2:0].

21.1.2.1 Channels and FIFOs

The AC97 Controller has four data channels. Each channel consists of a transmit FIFO, a receive FIFO, and the associated control logic to pack, unpack, and resize the data as necessary. The FIFOs can be configured to handle any data from or to any Slot in a frame. Figure 21-3 shows a block diagram of a single channel.

To support all Slots per frame, the sampling rate for each type of data within the frame must be consistent. For example:

- For an external codec supporting both audio and modem data, all audio data must be at the audio sampling rate and all modem data must be at the modem sampling rate.
- For external codec supporting PCM LEFT, PCM RIGHT, MODEM1, PCM CENTER, PCM L SURROUND, PCM R SURROUND, PCM LFE, MODEM2 and HSET, program the transmit side of the controller to store the PCM LEFT, RIGHT, CENTER, L SURROUND, R SURROUND, and LFE data in channel 1; MODEM1 and MODEM2 data in channel 2; and HSET data in channel 3. To also receive MIC data at a different rate, store the MIC data in channel 4.
- For an external codec supporting more than four sample rates, decide which four sample rates to allow.

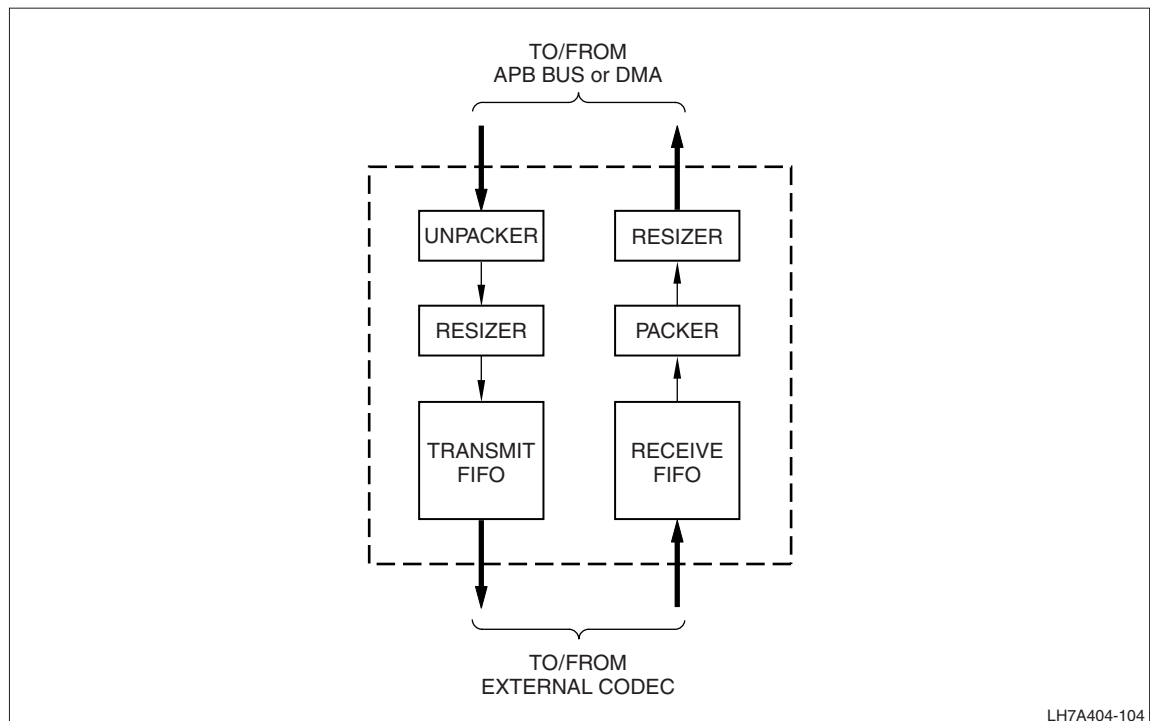


Figure 21-3. Block Diagram of One Channel

21.1.2.1.1 Receive Channel Configuration

The receive section of the channel is controlled via the Receive Control register (RXCR):

- The Slot data from the received frame to be stored in the FIFO. The controller stores only the Slots specified by software. Software must ensure all Slot data stored in a FIFO is at the same sampling rate.
- The length of time before a timeout interrupt is generated.
- Whether the FIFO is enabled or disabled.
- The number of bits required of the Slot.
- Whether the channel can or cannot receive data.

21.1.2.1.2 Transmit Channel Configuration

The transmit section of the channel is controlled via the Transmit Control register (TXCR):

- The Slots to transmit the data in the FIFO. Software must ensure all the data in the FIFO is intended for Slots with the same sampling rate. The data must be supplied lowest Slot number first.
- Whether the FIFO is enabled or disabled.
- The number of bits to be appended to the data for a 20-bit data word length.
- Whether the channel can or cannot transmit data.

The transmit channel also supports variable sample rates via the Data Request Disable Slot bits from the external codec in Slot 1. The data request bits for all audio and modem data must occur within the same frame. Slot 0 for transmission is determined by the controller according to the values in the TXCR register, the data request bits, and the FIFO having valid data to send. When a Slot has no data for transmission, the controller automatically fills the Slot with zeros and invalidates the Tag bits.

For an external codec not supporting the variable sample rate Data Request Disable bits or Variable Rate Extension, these bits are always 0 resulting in a sample rate of 48 kHz. As Slots 1 and 2 are always transmitted at 48 kHz, the external codec has no data request bits for these Slots.

Data for transmission on Slots 1, 2, and 12 can be obtained from either the channel FIFOs or the S1DATA, S2DATA, and S12DATA registers. Software must ensure the Slot data is available from a single source. When the Slot Enable bits are 1, the controller stores the Slots 1, 2, and 12 data in the channel FIFO rather than in the S1DATA, S2DATA, and S12DATA registers. When the Slot Enable bits are 0, the Slot data is stored in their respective registers.

Use the channels to transmit Slot 1 and Slot 2 data when setting the external codec up for operation. Once the setup of the external codec is complete, the data for Slot 1 and 2 should come via the S1DATA and S2DATA registers — this then frees up the channel for audio/modem data.

21.1.2.2 FIFOs

The transmit DMA FIFOs (channels 0 - 2) are 20 bits wide by eight bits deep. Data is removed from the FIFO buffer one 20-bit word at a time. Data is read from the FIFO into the parallel-to-serial shift converter aligned MSB first.

The APB TX FIFO (channel 3) is 20 bits wide by 16 bits deep. This enables the channel to run at an 8 kHz sample rate with the processor servicing the data in the FIFO approximately every 1.9 ms. One Slot of data comes from the external codec every 124.8 μ s (once every 6 frames); $16 \times 124.8 \mu\text{s} = 1.9968 \text{ ms}$. When the DMA FIFOs are accessed via the APB, software must account for system bus latencies possibly preventing data from being available quickly enough.

The receive DMA FIFOs (channels 0 - 2) are 21 bits wide by eight bits deep. The lower 20 bits contain the byte data and the 21st bit contains the receive overrun status flag. The data is read from the serial-to-parallel shift converter into the FIFO MSB first.

The receive overrun bit is used to indicate the status of the data when it was received. Software can read the Status Register RXOE field (SR:RXOE) to determine if the FIFO had an error occur during reception. After checking the SR, software can read the buffer value, which clears RXOE to 0.

As with the TX FIFO, the APB RX FIFO (channel 3) is 21 bits wide by 16 bits deep. This accommodates the channel running at an 48 kHz sample rate and the processor servicing the data in the FIFO approximately every 1.9 ms. When DMA FIFOs are accessed via the APB, software must account for system bus latencies possibly preventing data from being serviced quickly enough.

21.1.2.3 Unpackers and Resizers

For the transmit unpacker, the Compact Mode (CM) bit in TXCR register determines if the data from the CPU is in 32-bit or 16-bit words when TSIZE is specified as 12 or 16 bits. When CM is 1, a 32-bit word sent to the controller consists of two Data Slots. The controller splits the 32-bit word into its two 16-bit constituents. When CM is 0, a 32-bit word sent to the controller consists of a single data Slot.

When CM is 1, software must ensure the FIFO channels are configured to accept an even number of Slots, for example, Slots 3 and 4. Software must interpret the data read from bits 15:0 as belonging to the lower Slot (in this example, Slot 3), and the data read from bits 31:16 as belonging to the higher Slot (in this example, Slot 4).

For the transmit resizer, the TSIZE bits in the TXCR register determine the data size for data from the CPU. The resizer MSB justifies the data received. Once the data is unpacked, the controller left-shifts the data by the specified amount, generating a 20-bit word to store into the FIFO. The LSB is filled with zeros. When TSIZE is specified as 20, no shifting or zero filling is performed. The data in the FIFO is stored in the order of lowest Slot first. For example, when the FIFO is set up to store Slots 3 and 4, Slot 3 is supplied by the first data into the FIFO and Slot 4 is supplied by the second data into the FIFO.

When the RSIZE field specifies 12 or 16 in the receive packer, the CM bit in RXCR determines if the data for the CPU is in 32-bit or 16-bit words. With RSIZE specifying 12 or 16 bits and CM 1, a 32-bit word from the controller consists of data from two Slots. The controller joins two words from the FIFO into a 32-bit word. When CM is 0, a 32-bit word from the controller contains data from a single Slot.

When CM is 1, software must ensure the FIFO channels are configured for an even number of Slots; for example, Slots 3 and 4, not Slots 3, 4, and 5. When RSIZE specifies 12 or 16, CM is 1, and (for example) data is being read from Slots 3 and 4, data from Slot 3 is placed in bits 15:0 and data from Slot 4 is placed in bits 31:16 on the bus.

For the receive resizer, the RSIZE field in the RXCR register determines the data size for Slots from the external codec. The RSIZE field is used to LSB-justify the 20-bit data out of the FIFO. When RSIZE specifies 12, 16, or 18 bits, the controller first right-shifts the 20-bit data from the FIFO to achieve the correct data size. For example, when RSIZE specifies 12, the 20-bit word from the FIFO is shifted right eight bits. The resizer then puts 0 values into the MSB bits of the data word.

The CM bit determines the size of the data word. When CM is set (1), the data word is 16 bits. When CM is cleared (0), the data word is 32 bits. The data from the receive channel is stored in the order of lowest Slot first. For example, when a receive FIFO is configured to store Slots 3 and 4, the first data stored in the FIFO is Slot 3, followed by Slot 4.

21.1.3 DMA Interface Bus Protocol

The primary method of data transfer from memory to the AC97 controller is by DMA, because the data bandwidth for the AC-link is 12 Mb/s. The AC97 Controller has three DMA channels, providing one channel each for the three Data Registers (DR [2:0]). Channel 3 should be used for the slowest sample rate, typically 8 kHz (for example, a touch screen interface).

The DMA controller transfers data in bytes. Data transferred to the controller must be in 16-bit multiples (2×8 -bit), because the minimum AC97 data width is 12 bits. The CM bit in the RXCR and TXCR registers specifies whether the data is formatted as 16-bit words or 32-bit words.

When DMA is used to transfer data from the receive FIFO, only data is transferred and not the overrun status bit. If an overrun error occurs, the DMA transfer automatically ends. The receive error status in SR is cleared when the corresponding word in the FIFO is read. When the overrun error has been set to generate an interrupt in the Interrupt Enable (IE) register, the interrupt status is cleared by any write to the Interrupt Status register (ISR).

When a timeout error occurs on the receive FIFO, the controller generates an interrupt. The interrupt service routine must read the data in the FIFO. This read can be done via either the DMA or the APB interface. The DMA controller does not directly handle this type of interrupt.

The DMA Controller recognizes the end of the data when the FIFOs are empty and the Transmit Enable bit (TEN) or the Receive Enable bit (REN) has been cleared (0).

Valid receive data is made available to both the APB and the DMA by the AC97 Controller. Software must select either DMA or the APB interface to access the receive data from the FIFOs. The AC97 Controller behaves unpredictably when both DMA and the APB accesses are attempted at the same time. The DMA channels operate only when they are enabled in the DMA controller.

21.1.4 Serial Interface Protocol

The AC-link is the connection between the controller and the external chip. This link, shown in Figure 21-4, consists of a 5-pin interface that is a bi-directional, fixed rate, serial Pulse Code Modulation (PCM) stream. The AC97 Controller interfaces to this link.

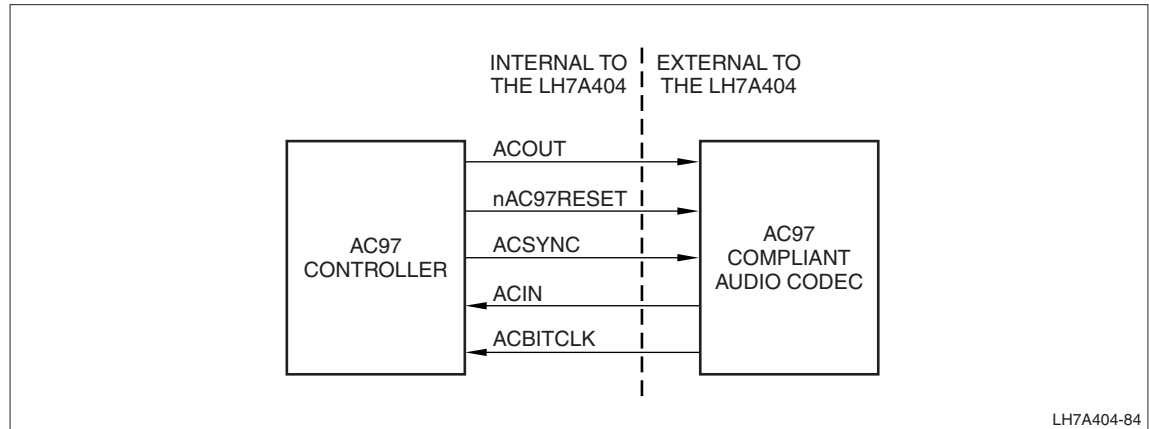


Figure 21-4. AC97 Link Connections

21.1.4.1 ACOUT Slot Data

The audio frame output from the AC97 Controller, contains control and PCM data targeted for the external codec control registers and stereo DAC. Figure 21-5 shows the frame protocol. The Tag Slot, Slot 0, contains 16 bits that tell the AC-link interface circuitry the validity of the subsequent data Slots. A new audio frame is signalled with a LOW to HIGH transition of SYNC. SYNC is synchronous to the rising edge of ACBITCLK and when the data on ACOUT is the final bit of the previous serial data frame. On the next rising edge of ACBITCLK, the controller drives ACOUT with the first bit of Slot 0. The external codec samples the ACOUT on the falling edge of ACBITCLK. The controller continues outputting the ACOUT stream on each successive rising edge of ACBITCLK.

The beginning of a frame output is shown in Figure 21-6. The SYNC signal remains HIGH for a total of 16 ACBITCLKs at the beginning of each frame, when the ACBITCLK rising edge SYNC = 0.

The ACOUT Slot datastream is described in Table 21-3 through Table 21-15.

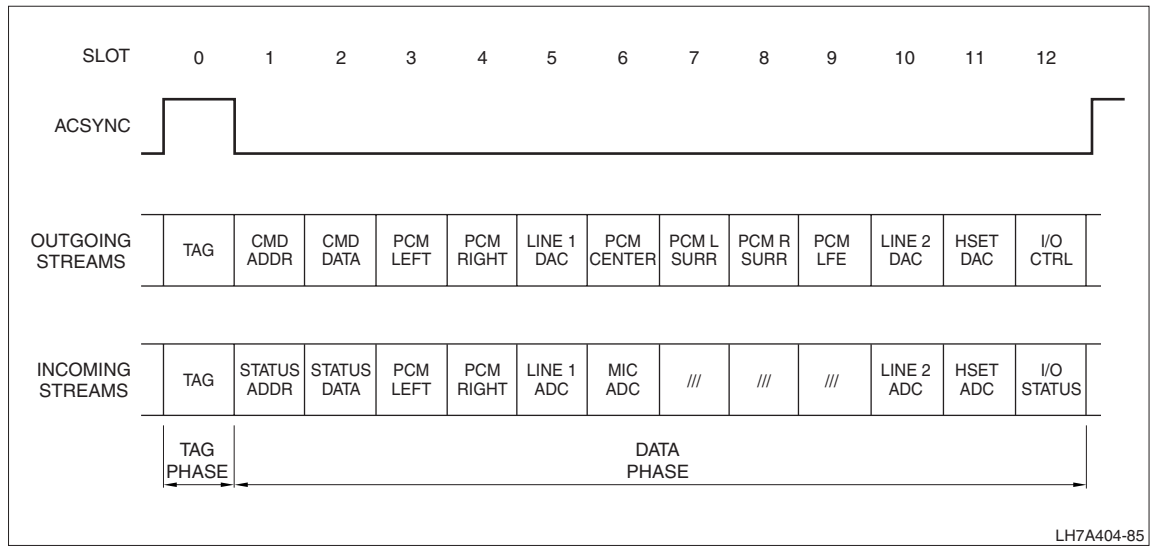


Figure 21-5. AC97 Bidirectional Audio Frame

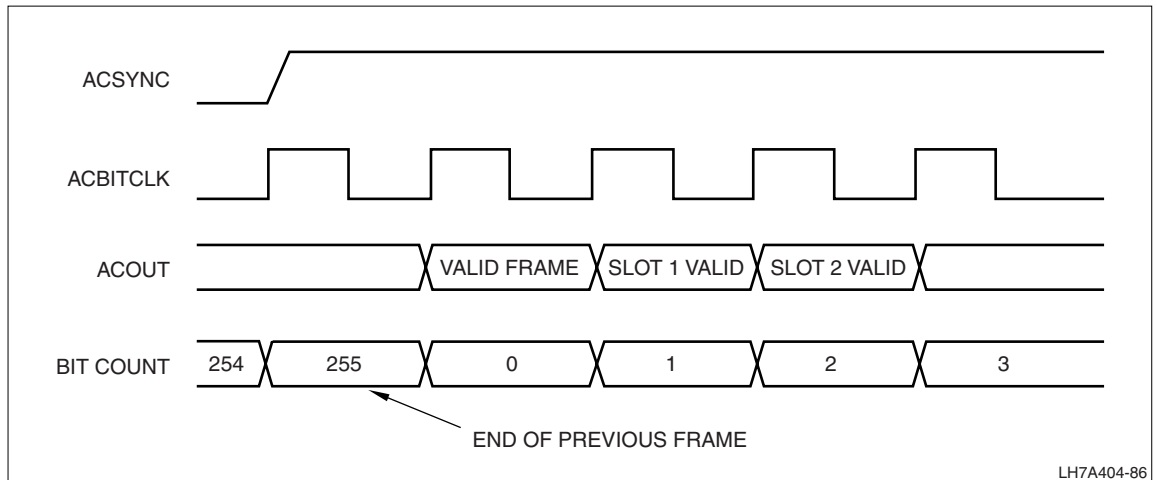


Figure 21-6. Start of Audio Frame Output

21.1.4.1.1 Slot 0: Tag and Codec ID (16 bits)

Slot 0 provides validity status for the remaining Slots in the frame, and the Codec ID, as shown in Table 21-3.

The Frame Valid bit (ACOUT bit 15) flags the validity for the entire frame. If there is valid data in any of the Slots, this bit will be 1. The next 12 bit positions indicate which of the corresponding 12 time Slots contain valid data. Bits 2:0 must always be 0 values as the AC97 Controller only supports Primary codecs (Codec ID 0b00). The AC97 Controller generates the Slot 0 values, determined by the validity of the data in the FIFOs, the values in the TXCR register and the value of the Disable Request Slot from the ACIN Slot 1. The controller fills all non-valid Slot bit positions with zeros.

Table 21-3. Slot 0 Output Bit Definitions

BIT	15	14	13	12	11	10	9	8	7	6	5	4	3	2	1	0
FUNCTION	Frame Valid	Slot 1 Primary Codec Valid Command Address Bit	Slot 2 Primary Codec Valid Command Data Bit	Slot 3 Valid PCM Left Channel Data Bits	Slot 4 Valid PCM Right Channel Data Bits	Slot 5 Valid Modem Line 1 Bits	Slot 6 Valid PCM Center Channel Data Bits	Slot 7 Valid PCM Left Surround Data Bits	Slot 8 Valid PCM Right Surround Data Bits	Slot 9 Valid PCM LFE Bits	Slot 10 Valid Modem Line 2 or PCM Left (n+1) Bits	Slot 10 Valid Modem Handset or PCM Right (n+1) Bits	Slot 12 Valid Modem GPIO or PCM Center (n+1) Bits	Reserved	Codec ID Field	

21.1.4.1.2 Slot 1: Command Address Port (20 bits)

Slot 1 is used to indicate the register address of the current frame's register access, as shown in Table 21-4.

The MSB of Slot 1 (bit 19) signifies whether the current control operation is a read (1) or a write (0). Bits 18:12 specify the register address of the read or write operation. The trailing 12 bits are reserved and must be zeros.

Table 21-4. Slot 1 Output Bit Definitions

BIT	19	18:12	11:0
FUNCTION	R/W Command	Control Register Index	Reserved

21.1.4.1.3 Slot 2: Command Data Port (20 bits)

Slot 2 delivers the 16-bit control register write data, shown in Table 21-5.

Bits 19:4 contain the 16-bit value to be written to the register. The controller zeros bits 3-0. If the access is a register read, the entire Slot is automatically stuffed with zeros by the AC97 Controller.

Table 21-5. Slot 2 Output Bit Definitions

BIT	19:4	3:0
FUNCTION	Control Register Write Data	Reserved

21.1.4.1.4 Slot 3: PCM Playback Left Channel (20 bits)

Slot 3 is used to transmit PCM playback data intended for the left channel DAC on the codec, as shown in Table 21-6.

The AC-link output in Slot 3 is the composite digital audio left-playback stream. If the data stream resolution is less than 20 bits, the AC97 Controller stuffs the trailing non-valid bit positions with zeros.

Table 21-6. Slot 3 Output Bit Definitions

BIT	19:0
FUNCTION	Left Playback PCM Audio Data

21.1.4.1.5 Slot 4: PCM Playback Right Channel (20 bits)

Slot 4 is used to transmit PCM playback data intended for the right channel DAC on the codec, as shown in Table 21-7.

The AC-link output in Slot 4 is the composite digital audio right-playback stream. If the data stream resolution is less than 20 bits, the AC97 Controller stuffs the trailing non-valid bit positions with zeros.

Table 21-7. Slot 4 Output Bit Definitions

BIT	19:0
FUNCTION	Right Playback PCM Audio Data

21.1.4.1.6 Slot 5: Modem Line 1 Output Channel (20 bits)

Slot 5 is used to transmit MSB-justified modem line 1 DAC input data, as shown in Table 21-8.

The AC-link output in Slot 5 contains the MSB-justified modem DAC data. The default resolution is 16 bits and the AC97 Controller stuffs the trailing non-valid bit positions with zeros.

Table 21-8. Slot 5 Output Bit Definitions

BIT	19:0
FUNCTION	Modem Line 1 Data

21.1.4.1.7 Slot 6: PCM Playback Center Channel (20 bits)

Slot 6 is used to transmit PCM playback data intended for the center channel in a six-channel configuration, as shown in Table 21-9.

The AC-link output in Slot 6 is the composite digital audio center-playback stream. If the data stream resolution is less than 20 bits, the AC97 Controller stuffs the trailing non-valid bit positions with zeros.

Table 21-9. Slot 6 Output Bit Definitions

BIT	19:0
FUNCTION	Center Playback PCM Audio Data

21.1.4.1.8 Slot 7: PCM Playback L Surround Channel (20 bits)

Slot 7 is used to transmit PCM playback data intended for the left-surround channel on the codec in a six-channel configuration, as shown in Table 21-10.

The AC-link output in Slot 7 is the composite digital audio left-surround playback stream. If the data stream resolution is less than 20 bits, the AC97 Controller stuffs the trailing non-valid bit positions with zeros.

Table 21-10. Slot 7 Output Bit Definitions

BIT	19:0
FUNCTION	Left Surround Playback PCM Audio Data

21.1.4.1.9 Slot 8: PCM Playback R Surround Channel (20 bits)

Slot 8 is used to transmit PCM playback data intended for the right surround channel on the codec in a six-channel configuration, as shown in Table 21-11.

The AC-link output in Slot 8 is the composite digital audio right-surround playback stream. If the data stream resolution is less than 20 bits, the AC97 Controller stuffs the trailing non-valid bit positions with zeros.

Table 21-11. Slot 8 Output Bit Definitions

BIT	19:0
FUNCTION	Right Surround Playback PCM Audio Data

21.1.4.1.10 Slot 9: PCM Low Frequency Effects DAC (20 bits)

Slot 9 is used to transmit PCM playback data intended for the Low Frequency Effects (LFE) channel on the codec in a six-channel configuration, as shown in Table 21-12.

The AC-link output in Slot 9 is the digital audio LFE playback stream. If the data stream resolution is less than 20 bits, the AC97 Controller stuffs the trailing non-valid bit positions with zeros.

Table 21-12. Slot 9 Output Bit Definitions

BIT	19:0
FUNCTION	PCM LFE Data

21.1.4.1.11 Slot 10: Modem Line 2 Output Channel or PCM L (n+1) (20 bits)

Slot 10 is used to transmit MSB-justified modem line 2 DAC input data or provide extra bandwidth for Double Rate Audio PCM left channel, as shown in Table 21-13.

Slot 10 can be used to either transmit modem line 2 DAC input data or PCM Left channel data when 96 kHz sampling rate is required (e.g. DVD players).

Table 21-13. Slot 10 Output Bit Definitions

BIT	19:0
FUNCTION	Modem Line 2 Data, or PCM Left (n+1) Data

21.1.4.1.12 Slot 11: Modem Handset Output Channel or PCM R (n+1) (20 bits)

Slot 11 is used to transmit the MSB-justified modem handset DAC input data or provide extra bandwidth for Double Rate Audio PCM right channel, as shown in Table 21-14.

Slot 11 can be used to either transmit head set input data or PCM right channel data when 96 kHz sampling rate is required (e.g. DVD players).

Table 21-14. Slot 11 Output Bit Definitions

BIT	19:0
FUNCTION	Modem Handset Data, or PCM Right (n+1) Data

21.1.4.1.13 Slot 12: Modem GPIO Control Channel or PCM C (n+1) (20 bits)

Slot 12 contains the modem GPIO control outputs, or extra bandwidth for Double Rate Audio PCM center channel, as shown in Table 21-15.

Slot 12 can be used to either transmit I/O control input data or PCM Center channel data when 96 kHz sampling rate is required (e.g. DVD players).

Table 21-15. Slot 12 Output Bit Definitions

BIT	19:0
FUNCTION	Modem GPIO Control Channel, or PCM Center (n+1) Data

21.1.4.2 ACIN Slot Data

The audio frame input to the AC97 Controller contains the status and PCM data from the external codec control registers and stereo ADC. The Tag Slot, Slot 0, contains 16 bits indicating to the AC97 Controller whether the external codec is ready and the validity of data from various device subsections. A new audio input frame, as shown in Figure 21-7, is signalled with a LOW to HIGH transition of ACSYNC. ACSYNC is synchronous to the rising edge of ACBITCLK. On the next rising edge of ACBITCLK, the external codec drives ACIN with the first bit of Slot 0. The AC97 Controller samples ACIN on the falling edge of ACBITCLK. The external codec continues outputting the ACIN stream on each successive rising edge of ACBITCLK. The external codec outputs data MSB first, in a MSB justified format. All reserved bits and Slots are filled with 0 values by the external codec.

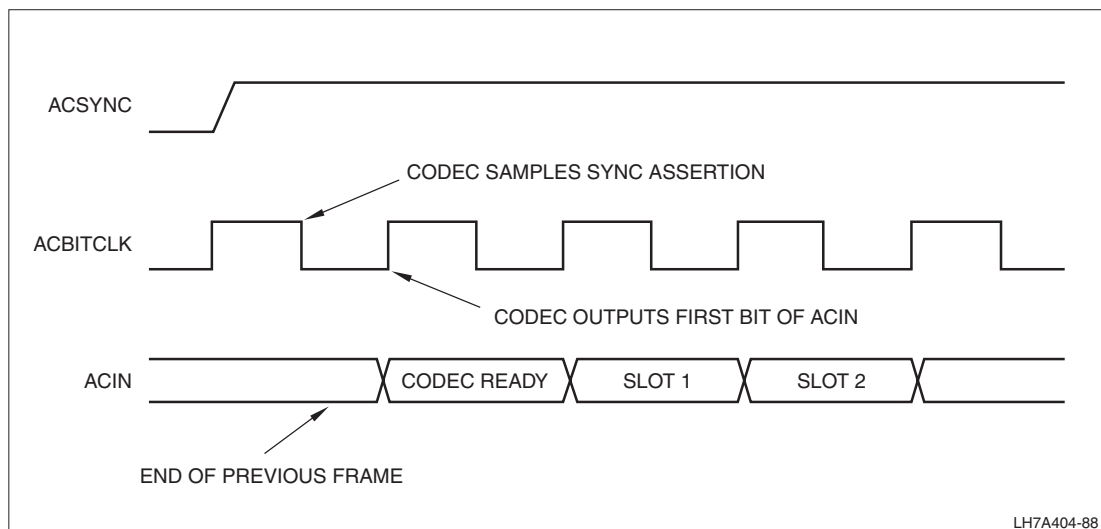


Figure 21-7. Start of Audio Frame Input

21.1.4.2.1 ACIN Operation

Before operating the external codec, the AC97 Controller polls the first bit in the audio frame input (ACIN Slot 0, bit 15) for an indication that the codec is in the Codec Ready state. The first bit received in Slot 0 is a global bit, indicating whether the codec is in Codec Ready state. If the Codec Ready bit is 0, the codec is not ready for normal operation. If the Codec Ready bit is 1, the control and status registers are fully operational. Software must then read the Power down Control and Status registers to determine which subsections, if any, are ready.

Once the AC97 Controller has sampled Codec Ready, the next 12 bit positions sampled indicate which of the corresponding 12 Slots are assigned to input data streams and contain valid data. Data will only be stored if one or more of the FIFOs RXCR registers has its RX bit set (1). Software must ensure that the FIFO control registers are set up to accept all received data. On the rising edge of ACBITCLK, before the last bit of the time slot, SYNC will be deasserted. From this point to the frame end, the Slots will contain 20 data bits.

When any of the FIFOs has no data available for transmission, an underflow occurs and invalid data, all 0 bits, is transmitted from the FIFO until the FIFO becomes non-empty or until transmit is disabled. Software can use the transmit interrupt request to write transmit data at a sufficient rate to prevent an underflow error condition.

The ACIN Slot datastream is described in Table 21-16 through Table 21-25.

21.1.4.2.2 Slot 0: Tag (20 bits)

Slot 0 indicates whether the codec is ready, and if so, which subsections are ready, as shown in Table 21-16.

The first bit of ACIN Slot 0 (bit 15) indicates when the codec is ready. The controller checks the subsequent data bits in Slot 0 to see which other subsections are ready. For example, a 1 value in bit 14 indicates Slot 1 data valid; a 1 value in bit 13 indicates Slot 2 data valid. The data obtained from this Slot is stored in the AC97 Controller to indicate which Slots within the frame contain valid data.

Table 21-16. Slot 0 Input Bit Definitions

BIT	15	14	13	12	11	10	9	8	7	6	5	4	3	2:0
FUNCTION	Codec Ready	Slot 1 Ready	Slot 2 Ready	Slot 3 Ready	Slot 4 Ready	Slot 5 Ready	Slot 6 Ready	Slot 7 Ready	Slot 8 Ready	Slot 9 Ready	Slot 10 Ready	Slot 11 Ready	Slot 12 Ready	Reserved

21.1.4.2.3 Slot 1: Status Address Port (20 bits)

Slot 1 is used to echo the external codec's register address back to the AC97 Controller when the codec has been issued a read request from the previous frame, as shown in Table 21-17.

The external codec echoes the register index for only a read access. Write accesses return no valid data in Slot 1. For reads, bit 19 is filled with a 0 value. Bits 18:12 contain the 7-bit register index for the codec registers. Bits 11:2 are used for Sample Rate Conversion (SRC), known as Disable Request bits for Slot 3 through Slot 12.

- When the external codec sets these bits to 1, the corresponding Slot must send no data on ACOUT in the following frame.
- When the external codec sets these bits to 0, the corresponding Slot must respond with data on ACOUT in the next frame.

Table 21-17. Slot 1 Input Bit Definitions

BIT	19	18:12	11	10	9	8	7	6	5	4	3	2	1:0
FUNCTION	Reserved	Control Register Index Echo	Slot 3 Request	Slot 4 Request	Slot 5 Request	Slot 6 Request	Slot 7 Request	Slot 8 Request	Slot 9 Request	Slot 10 Request	Slot 11 Request	Slot 12 Request	Reserved

21.1.4.2.4 Slot 2: Status Data Port (20 bits)

Slot 2 delivers the 16-bit control register read data, shown in Table 21-18.

Slot 2 returns the control register data requested by the controller from the previous read request. When Slot 2 is tagged invalid by the Codec Status Bits in Slot 0, the entire Slot is filled with 0 values by the codec. Bits 19:4 contains the 16-bit codec register value returned to the controller. Bits 3:0 are returned as 0 values.

Table 21-18. Slot 2 Input Bit Definitions

BIT	19:4	3:0
FUNCTION	Control Register Read Data	Reserved

21.1.4.2.5 Slot 3: PCM Record Left Channel (20 bits)

Slot 3 contains the left channel ADC data, as shown in Table 21-19.

The digitized signal is selected via register 0x1A. The default value of this register is 0x0000, selecting the MIC input. This is a 20-bit Slot. The 18-bit PCM data returned is MSB first and the two remaining bits are zeros.

Table 21-19. Slot 3 Input Bit Definitions

BIT	19:0
FUNCTION	Left Record PCM Audio Data

21.1.4.2.6 Slot 4: PCM Record Right Channel (20 bits)

Slot 3 contains the right channel ADC data, as shown in Table 21-20.

The digitized signal is selected via register 0x1A. The default value of this register is 0x0000, selecting the MIC input. This is a 20-bit Slot. The 18-bit PCM data returned is MSB first and the two remaining bits are zeros.

Table 21-20. Slot 4 Input Bit Definitions

BIT	19:0
FUNCTION	Right Record PCM Audio Data

21.1.4.2.7 Slot 5: Modem Line 1 ADC(20 bits)

Slot 5 contains the Modem Line 1 ADC data, as shown in Table 21-21.

The AC-link input in Slot 5 contains the MSB-justified modem ADC data. The default resolution is 16 bits and the trailing non-valid bit positions are stuffed with zeros.

Table 21-21. Slot 5 Input Bit Definitions

BIT	19:0
FUNCTION	Modem Line 1 Data

21.1.4.2.8 Slot 6: Microphone Record Data (20 bits)

Slot 6 contains the microphone record data, as shown in Table 21-22.

The AC-link input in Slot 6 is a third PCM system input channel available for dedicated use by a microphone. Data is MSB first, and resolution of fewer than 20 bits has trailing zeros appended to fill out the remaining bit.

Table 21-22. Slot 6 Input Bit Definitions

BIT	19:0
FUNCTION	Microphone Record Data

21.1.4.2.9 Slot 7 - Slot 9: Vendor Reserved (20 bits)

These slots are Vendor Reserved and are otherwise stuffed with zeros by the codec.

21.1.4.2.10 Slot 10: Modem Line 2 ADC Data (20 bits)

Slot 10 contains the Modem Line 2 ADC data, as shown in Table 21-23. Slot 10 contains the modem line 2 ADC input data in MSB-first order.

Table 21-23. Slot 10 Input Bit Definitions

BIT	19:0
FUNCTION	Modem Line 2 Data

21.1.4.2.11 Slot 11: Modem Handset ADC (20 bits)

Slot 11 contains handset ADC data, as shown in Table 21-24. Slot 11 contains the modem handset ADC input data in MSB-first order.

Table 21-24. Slot 11 Input Bit Definitions

BIT	19:0
FUNCTION	Modem Handset Data

21.1.4.2.12 Slot 12: Modem GPIO Status (20 bits)

Slot 12 contains the modem GPIO status inputs, as shown in Table 21-25.

Table 21-25. Slot 12 Input Bit Definitions

BIT	19:0
FUNCTION	Modem GPIO Status Data

21.1.5 External Reset Modes

The three methods to reset the external codecs are Cold Reset, Warm Reset, and Register Reset. When a reset is asserted, the external codec activates ACBITCLK, used to generate the SYNC signal required for normal reception and transmission. SYNC is re-activated for normal operation after a 254-ACBITCLK count. Following a reset, transmission on the ACOUT port will not occur until the software has received a Codec Ready signal.

21.1.5.1 Cold Reset

A Cold Reset is achieved by asserting the AC97RESET output pin for the minimum time specified for the external codec used, then subsequently deasserting AC97RESET. A Cold Reset initializes all AC97 logic and registers to default values. A Cold Reset is required to restart the AC-link when bit PR5 is 1 in register 0x26 in the external codec.

Figure 21-8 shows the Cold Reset timing. t_{RST_LOW} is typically 1 μs (MIN.). t_{RST2_CLK} varies by codec; refer to the codec's data sheet. The AC97RESET pin is controlled via the Reset register. The t_{RST_LOW} time is achieved by counting five pulses of the 2.9491 MHz clock, resulting in a 1.695 μs reset pulse, satisfying the 1 μs minimum requirement.

The 2.9491 MHz clock is generated by the clock divide chains in the Clock and State Controller (CSC). The count of five pulses allows timing the SYNC signal for the Warm Reset from the same counter. When the counter reaches five, the AC97 Controller clears the Reset register.

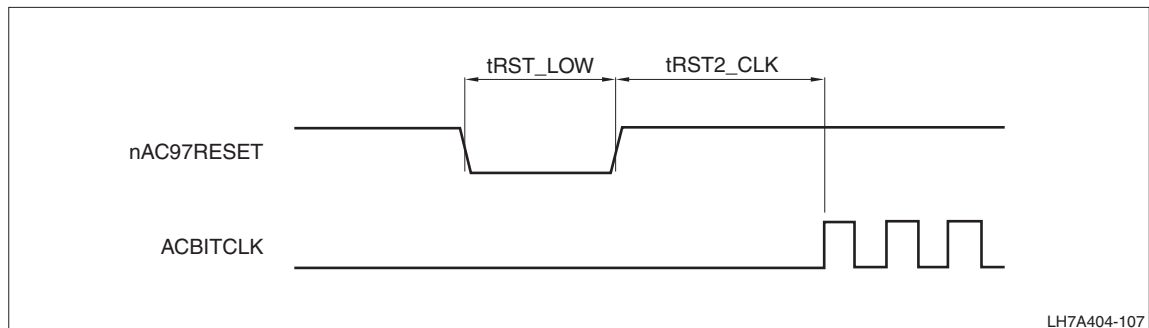


Figure 21-8. Cold Reset Timing

21.1.5.2 Warm Reset

A Warm Reset is required to restart the AC-link when bit PR4 is 1 in register 0x26 in the external codec. A Warm Reset resets the logic to the default state while maintaining the contents of all registers. A Warm Reset allows the AC-link to be reactivated without losing information in the external codec registers.

Figure 21-9 shows the Warm Reset timing. t_{SYNC_HIGH} is typically 1.3 μs (MIN.). t_{TYNC2_CLK} varies by codec. The ACSYNC pin is controlled by the Sync register. The t_{SYNC_HIGH} time is achieved by counting five pulses of 2.9491 MHz, resulting in a 1.695 μs reset pulse, satisfying the 1.3 μs minimum requirement. The 2.9491 MHz clock is generated by the clock divide chains in the CSC. When the counter reaches five, the AC97 Controller clears the SYNC register.

When powered down following a Warm Reset, reactivation of the AC-link via re-assertion of the SYNC signal must not occur for a minimum of four audio frame times ($4 \times 20.8 \mu\text{s}$) following the frame in which the power down was triggered. The SYNC is deactivated for $4 \times 20.8 \mu\text{s}$ before becoming active on the output.

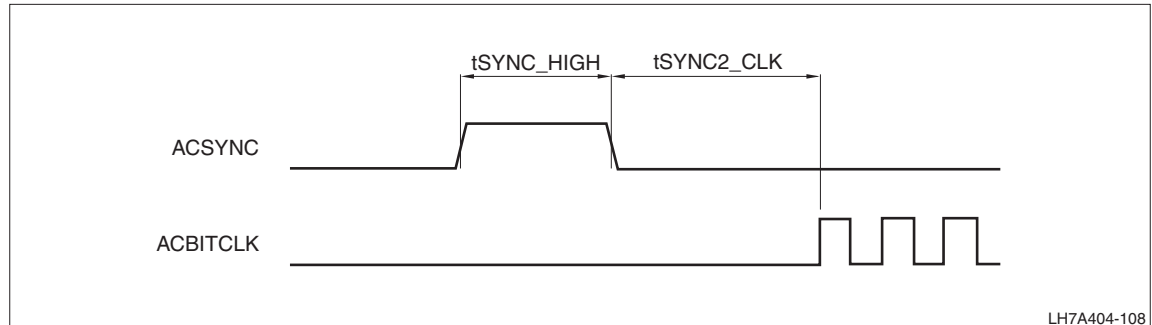


Figure 21-9. Warm Reset Timing

21.1.5.3 Register Reset

The third reset mode provides a Register Reset to the external codec, to reset all codec registers to their default power-up values. A Register Reset occurs when any value is written to the external codec register at address 0x00.

21.1.6 Power Considerations

Removing power from the AC97 external codec chip may result in excess current consumption. When power is removed from the AC97 external codec chip, I/O pins remain in their current state. If driven HIGH, power can be fed back into the chip resulting in high current consumption. In addition, the external codec may not reset properly and may not operate correctly when power is restored. Therefore, the LH7A404 should be programmed to supply power to the AC97 external codec chip at all times. All power management should be done through the power management features available with the AC97 external codec chip.

21.1.6.1 Low Power Mode

The AC-link can be placed in low power (Halt) mode. After the end of Slot 2 transmission, when the codec Power-down Control/Status register (0x26) is programmed with the appropriate value, the external codec drives ACBITCLK and ACIN LOW. So that the AC97 Controller can recognize the fact that the AC-link is to be brought into a low power mode via a command to the external codec, the S1DATA and S2DATA registers are monitored to check if the address is 0x26 and bit 12 in the S2DATA register is set (1).

21.1.7 Clock Gating

Each channel in the transmit and receive directions has a separately gated clock. A channel clock runs when the corresponding channel enable bit is set (1). The channel clocks are synchronized with the PCLK input to the AC97 Controller. The TEN and REN signals are sampled using the falling edge of PCLK before the gating process to avoid any glitches on the gated output clocks.

21.1.8 Interrupts

The AC97 Controller generates two types of interrupts: local FIFO interrupts and global interrupts.

FIFO interrupts are asserted in the AC97 Raw Interrupt Status Register for each FIFO (RISR_x, where *x* indicates FIFO number 1, 2, 3, or 4). Software can enable or disable these interrupts by programming the AC97 Interrupt Enable register for each FIFO (IEx). The logical bit-wise AND of the asserted and enabled interrupts appears in the AC97 Interrupt Status Register for each FIFO (ISR_x). Only interrupts asserted in RISR_x and enabled in IEx appear in ISR_x, as follows:

$$\text{ISR}_x = ((\text{RISR}_x) \text{ bit-wise AND } (\text{IEx}))$$

Global interrupts are asserted in the AC97 Raw Global Interrupt Status register (RGIS). Most of these interrupts are not asserted during normal AC97 operation. Software can clear the Wakeup and Codec Ready interrupts by programming the Global End-of-Interrupt register (GEOI). Software can enable or disable the global interrupts by programming the Global Interrupt Enable Register (GIEN). The bit-wise AND of the asserted and enabled global interrupts appears in the Global Interrupt Status register (GIS), as follows:

$$\text{GIS} = ((\text{RGIS}) \text{ bit-wise AND } (\text{GIEN}))$$

The ISR1, ISR2, ISR3, ISR4, and GIS interrupt bits are copied in the Global Control Interrupt Status register (GCIS). Software can read all AC97 interrupts with a single read of GCIS.

The individual interrupts in GCIS are ORed together to generate a single, combined interrupt, AC97INTR, to be handled by the LH7A404 Interrupt Controller. AC97INTR is cleared when all contributing interrupts are cleared in RISR_x and RGIS or disabled in IEx and GIEN.

The interrupts are described in the Register Description section, Table 21-39 and Table 21-54.

IMPORTANT: When using the AC97, disable ACI interrupts to avoid false interrupt requests. When using the ACI, disable AC97 interrupts.

21.1.8.1 Important Note on Global Interrupt Timing

Global Interrupts are generated using two internal signals that have their logic in two separate clock domains: the externally generated ACBITCLK and the internal PCLK. There is no synchronization between these clocks, which requires a software delay to ensure the data is ready. To ensure proper data is read, delay one frame (~24 μs) following the interrupt.

21.1.9 System Loopback Testing

A loopback test mode is available for system testing, so data transmitted on ACOUT can also be received on ACIN. To enter loopback mode, set the LOOP bit and the OCR bit to 1 in the Global Control register (GCR). For normal, non-loopback operation, the LOOP bits must be 0, which is the default at reset. This test mode requires an external bit clock.

21.2 Register Reference

21.2.1 Memory Map

The base address for the AC97 Controller Registers is 8000.0000.

Table 21-26. AC97 Controller Memory Map

ADDRESS OFFSET	NAME	DESCRIPTION
0X00	DR1	Data read from or written to FIFO1
0X04	RXCR1	FIFO1 Receive control register
0X08	TXCR1	FIFO1 Transmit control register
0X0C	SR1	FIFO1 Status register
0X10	RISR1	FIFO1 Raw interrupt status register
0X14	ISR1	FIFO1 Interrupt Status
0X18	IE1	FIFO1 Interrupt Enable
0X1C	///	Reserved. Reading returns 0. Values written cannot be read.
0X20	DR2	Data read or written from or to FIFO2
0X24	RXCR2	FIFO2 Control register for receive
0X28	TXCR2	FIFO2 Control register for transmit
0X2C	SR2	FIFO2 Status register
0X30	RISR2	FIFO2 Raw interrupt status register
0X34	ISR2	FIFO2 Interrupt Status
0X38	IE2	FIFO2 Interrupt Enable
0X3C	///	Reserved
0X40	DR3	Data read from or written to FIFO3
0X44	RXCR3	FIFO3 Control register for receive
0X48	TXCR3	FIFO3 Control register for transmit
0X4C	SR3	FIFO3 Status register
0X50	RISR3	FIFO3 Raw interrupt status register
0X54	ISR3	FIFO3 Interrupt Status
0X58	IE3	FIFO3 Interrupt Enable
0X5C	///	Reserved. Reading returns 0. Values written cannot be read.
0X60	DR4	Data read from or written to FIFO4
0X64	RXCR4	FIFO4 Control register for receive
0X68	TXCR4	FIFO4 Control register for transmit
0X6C	SR4	FIFO4 Status register
0X70	RISR4	FIFO4 Raw interrupt status register
0X74	ISR4	FIFO4 Interrupt Status
0X78	IE4	FIFO4 Interrupt Enable
0X7C	///	Reserved. Reading returns 0. Values written cannot be read.
0X80	S1DATA	Data received or transmitted on Slot 1
0X84	S2DATA	Data received or transmitted on Slot 2
0X88	S12DATA	Data received or transmitted on Slot 12
0X8C	RGIS	Raw global interrupt status register
0X90	GIS	Global interrupt status register
0X94	GIEN	Global interrupt enable register
0X98	GEOI	Global interrupt clear register
0X9C	GCR	Global control register
0XA0	RESET	Reset control register
0XA4	SYNC	SYNC control register
0XA8	GCIS	Global control FIFO interrupt status register

21.2.2 Register Descriptions

21.2.2.1 Data Registers (DRx)

These registers, defined in Table 21-27 and Table 21-28, hold the data written to or read from the FIFOs. Reading a data register in receive mode returns the received data. Writing a data register in transmit mode writes the data to be transmitted. Values written to these registers cannot be read back.

To transmit words:

- When FIFOs are enabled, data written to this location is pushed onto the transmit FIFO.
- When FIFOs are disabled, the bottom word of the transmit FIFO stores a single data word.

To receive words:

- When FIFOs are enabled, the data received is pushed onto the receive FIFO.

When FIFOs are disabled, the bottom word of the receive FIFO stores a single data word.

Table 21-27. DRx, Standard Mode

BIT	31	30	29	28	27	26	25	24	23	22	21	20	19	18	17	16
FIELD	///												DATA			
RESET	0	0	0	0	0	0	0	0	0	0	0	0	0	0	0	0
TYPE	RO	RO	RO	RO	RO	RO	RO	RO	RO	RO	RO	RO	WO for transmit data RO for receive data			
BIT	15	14	13	12	11	10	9	8	7	6	5	4	3	2	1	0
FIELD	DATA															
RESET	0	0	0	0	0	0	0	0	0	0	0	0	0	0	0	0
TYPE	WO for transmit data RO for receive data															
ADDR	FIFO1: 0x8000.0000 FIFO2: 0x8000.0020 FIFO3: 0x8000.0040 FIFO4: 0x8000.0060															

Table 21-28. DRx Register Fields, Standard Mode

BITS	NAME	DESCRIPTION
31:20	///	Reserved Reading returns 0. Values written cannot be read.
19:0	DATA	Transmit FIFO TXCR qualifies the data in the transmit FIFO.
19:0	DATA	Receive FIFO RXCR qualifies the data in the receive FIFO.

Table 21-29. DRx, Compact Mode

BIT	31	30	29	28	27	26	25	24	23	22	21	20	19	18	17	16
FIELD	EDATA															
RESET	0	0	0	0	0	0	0	0	0	0	0	0	0	0	0	0
TYPE	RO	RO	RO	RO	RO	RO	RO	RO	RO	RO	RO	RO	WO for transmit data RO for receive data			
BIT	15	14	13	12	11	10	9	8	7	6	5	4	3	2	1	0
FIELD	ODATA															
RESET	0	0	0	0	0	0	0	0	0	0	0	0	0	0	0	0
TYPE	WO for transmit data RO for receive data															
ADDR	FIFO1: 0x8000.0000 FIFO2: 0x8000.0020 FIFO3: 0x8000.0040 FIFO4: 0x8000.0060															

Table 21-30. DRx Register Fields, Compact Mode

BITS	NAME	DESCRIPTION
31:16	EDATA	Even Number Slot Data Even-number slot data.
15:0	ODATA	Odd Number Slot Data Odd-number Slot data.

21.2.2.2 Receive Control Registers (RXCRx)

These registers, defined in Table 21-31 and Table 21-32, control the receive FIFO data to AC-link Slot mapping. When two channels are enabled for the same Slot number, data from the lower channel number is used for that Slot.

Table 21-31. RXCRx

BIT	31	30	29	28	27	26	25	24	23	22	21	20	19	18	17	16
FIELD	///			TOC												FDIS
RESET	0	0	0	0	0	0	0	0	0	0	0	0	0	0	0	0
TYPE	RO	RO	RO	RW	RW	RW	RW	RW	RW	RW	RW	RW	RW	RW	RW	RW
BIT	15	14	13	12	11	10	9	8	7	6	5	4	3	2	1	0
FIELD	CM	RSIZE		RX12	RX11	RX10	RX9	RX8	RX7	RX6	RX5	RX4	RX3	RX2	RX1	REN
RESET	0	0	0	0	0	0	0	0	0	0	0	0	0	0	0	0
RW	RW	RW	RW	RW	RW	RW	RW	RW	RW	RW	RW	RW	RW	RW	RW	RW
ADDR	FIFO1: 0x8000.0004 FIFO2: 0x8000.0024 FIFO3: 0x8000.0044 FIFO4: 0x8000.0064															

Table 21-32. RXCRx Register Fields

BITS	NAME	DESCRIPTION
31:29	///	Reserved Reading returns 0. Values written cannot be read.
28:17	TOC	Time Out Count The FIFOs can generate a timeout interrupt when the receive FIFO is non-empty and no further data is received for the number of frames specified by TOC. This period represents a count of the SYNC signal. Clearing TOC disables the counter, so no timeout interrupt is generated. After reset, TOC = 0. The maximum TOC of 4,096 sets the timeout to 85 ms.
16	FDIS	FIFO Disable 1 = Disable FIFO (character mode). Disabled FIFOs are single entry holding registers. 0 = Enable FIFO buffers (FIFO mode).
15	CM	Compact Mode 1 = Enables compact mode for received data. Setting CM with RSIZE set to either 12 or 16 unpacks the two data words from the CPU into two 20-bit, MSB justified, entries in the receive FIFO, following the rules shown in Table 21-35. 0 = Justifies the data into one 32-bit word.
14:13	RSIZE	Receive Size Specifies receive data size: 00 = 16-bit 01 = 18-bit 10 = 20-bit 11 = 12-bit
12	RX12	FIFO stores Slot 12 data (takes precedence over S12DATA).
11	RX11	FIFO stores Slot 11 data.
10	RX10	FIFO stores Slot 10 data.
9	RX9	FIFO stores Slot 9 data.
8	RX8	FIFO stores Slot 8 data.
7	RX7	FIFO stores Slot 7 data.
6	RX6	FIFO stores Slot 6 data.
5	RX5	FIFO stores Slot 5 data.
4	RX4	FIFO stores Slot 4 data.
3	RX3	FIFO stores Slot 3 data.
2	RX2	FIFO stores Slot 2 data (takes precedence over S2DATA).
1	RX1	FIFO stores Slot 1 data (takes precedence over S1DATA).
0	REN	Receive Enable 1 = Enables the FIFO receive and the corresponding channel PCLK. 0 = Disables the FIFO receive and the corresponding channel PCLK.

21.2.2.3 Transmit Control Registers (TXCRx)

These registers, defined in Table 21-33 and Table 21-34, control the transmit FIFO channel data to AC-link Slot mapping. All data in each transmit FIFO channel must be of the same sampling frequency; for example, all audio Slot data is at 44.1 kHz.

Field settings for TXCR are used by the AC97 controller to create the data for Slot 0 transmissions. When TXCR specifies data for Slot 1 and Slot 2 to be stored in a particular FIFO channel, this specification takes precedence over the data in the S1DATA and S2DATA registers. Because Slot 1 and Slot 2 data are always transmitted at 48 kHz, do not enable that FIFO channel to store any Slot data not sampled at 48 kHz.

When two FIFO channels are enabled for the same Slot number, data from the lower channel number is used for that Slot.

Table 21-33. TXCRx

BIT	31	30	29	28	27	26	25	24	23	22	21	20	19	18	17	16
FIELD	///															FDIS
RESET	0	0	0	0	0	0	0	0	0	0	0	0	0	0	0	0
TYPE	RO	RO	RO	RO	RO	RO	RO	RO	RO	RO	RO	RO	RO	RO	RO	RW
BIT	15	14	13	12	11	10	9	8	7	6	5	4	3	2	1	0
FIELD	CM	TSIZE		TX12	TX11	TX10	TX9	TX8	TX7	TX6	TX5	TX4	TX3	TX2	TX1	TEN
RESET	0	0	0	0	0	0	0	0	0	0	0	0	0	0	0	0
TYPE	RW	RW	RW	RW	RW	RW	RW	RW	RW	RW	RW	RW	RW	RW	RW	RW
ADDR	FIFO1: 0x8000.0008 FIFO2: 0x8000.0028 FIFO3: 0x8000.0048 FIFO4: 0x8000.0068															

Table 21-34. TXCRx Register Fields

BITS	NAME	DESCRIPTION
31:17	///	Reserved Reading returns 0. Values written cannot be read.
16	FDIS	FIFO Disable 0 = Enable FIFO buffers (FIFO mode). 1 = Disables FIFO (character mode). Disabled FIFOs are single byte holding registers.
15	CM	Compact Mode 1 = Enables compact mode for transmitted data. Setting CM with TSIZE set to either 12 or 16 unpacks the two data words from the CPU into two 20-bit, MSB justified, entries in the transmit FIFO, following the rules shown in Table 21-35. 0 = Justifies the data into one 32-bit word.
14:13	TSIZE	Transmit Size Specifies transmit data size: 00 = 16-bit 01 = 18-bit 10 = 20-bit 11 = 12-bit
12	TX12	FIFO transmits Slot 12 data (takes precedence over S12DATA)
11	TX11	FIFO transmits Slot 11 data
10	TX10	FIFO transmits Slot 10 data

Table 21-34. TXCRx Register Fields

BITS	NAME	DESCRIPTION
9	TX9	FIFO transmits Slot 9 data
8	TX8	FIFO transmits Slot 8 data
7	TX7	FIFO transmits Slot 7 data
6	TX6	FIFO transmits Slot 6 data
5	TX5	FIFO transmits Slot 5 data
4	TX4	FIFO transmits Slot 4 data
3	TX3	FIFO transmits Slot 3 data
2	TX2	1 = FIFO contains Slot 2 data (only use if sampling rate is 48 kHz) — takes precedence over S2DATA register. 0 = S2DATA register data routed to Slot 2.
1	TX1	1 = FIFO contains Slot 1 data (only use if sampling rate is 48 kHz) — takes precedence over S1DATA. 0 = S1DATA register data routed to Slot 1.
0	TEN	Transmit Enable 1 = Enable FIFO transmit and corresponding channel PCLK. 0 = Disable FIFO transmit and corresponding channel PCLK.

Table 21-35. Compact Mode Programming

CM	TSIZE		DATA TO CPU
0	0	0	Justified, 1 × 16 bits
0	1	1	Justified, 1 × 12 bits
1	0	0	Compacted, 2 × 16 bits
1	1	1	Compacted, 2 × 12 bits
x	1	0	Justified, 1 × 20 bits
x	0	1	Justified, 1 × 18 bits

21.2.2.4 Controller Status Registers (SRx)

This register, defined in Table 21-36 and Table 21-37, provides information about the transmit and receive status of the AC97 Controller. After reset, the TXFF, RXFF, and TXBUSY values are 0, and the TXFE and RXFE values are 1.

Table 21-36. SRx

BIT	31	30	29	28	27	26	25	24	23	22	21	20	19	18	17	16	
FIELD	///																
RESET	0	0	0	0	0	0	0	0	0	0	0	0	0	0	0	0	
TYPE	RO	RO	RO	RO	RO	RO	RO	RO	RO	RO	RO	RO	RO	RO	RO	RO	
BIT	15	14	13	12	11	10	9	8	7	6	5	4	3	2	1	0	
FIELD	///										TXUE	RXOE	TxBusy	TXFF	RXFF	TXFE	RXFE
RESET	0	0	0	0	0	0	0	0	0	0	0	0	0	0	1	1	
TYPE	RO	RO	RO	RO	RO	RO	RO	RO	RO	RO	RO	RO	RO	RO	RO	RO	
ADDR	FIFO1: 0x8000.000C FIFO2: 0x8000.002C FIFO3: 0x8000.004C FIFO4: 0x8000.006C																

Table 21-37. SRx Register Fields

BITS	NAME	DESCRIPTION
31:7	///	Reserved Reading returns 0. Values written cannot be read.
6	TXUE	Transmit Underrun Error This error occurs if data is to be transmitted and two conditions exist: <ul style="list-style-type: none"> • The FIFO is empty • The FIFO has been written to at least once in the current data transfer. To clear, write to the corresponding channel data register. 1 = Transmit Underrun error. 0 = No error condition.
5	RXOE	Receive Overrun Error This error indicates that data was received when the FIFO is already full. To clear, read the corresponding channel data register. 1 = Receive Overrun error. 0 = No error condition
4	TxBusy	Transmit Busy 1 = Either TXCRx:TEN = 1 and the FIFO contains data or data from this FIFO is being sent in the current frame. 0 = The next frame has started and is the one following assertion of the corresponding channel FIFO empty flag. For TxBusy = 0, TEN is irrelevant.
3	TXFF	Transmit FIFO Full Flag This flag indicates if the Transmit FIFO is full or has space remaining. 1 = Transmit FIFO is full. 0 = Transmit FIFO is not full.

Table 21-37. SRx Register Fields

BITS	NAME	DESCRIPTION
2	RXFF	Receive FIFO Full Flag This flag indicates if the Receive FIFO is full or has space remaining. 1 = Receive FIFO is full. 0 = Receive FIFO is not full.
1	TXFE	Transmit FIFO Empty Flag This flag indicates if the Transmit FIFO is empty or contains some amount of data. 1 = Transmit FIFO is empty. 0 = Transmit FIFO is not empty.
0	RXFE	Receive FIFO Empty Flag This flag indicates if the Receive FIFO is empty or contains some amount of data. 1 = Receive FIFO is empty. 0 = Receive FIFO is not empty.

21.2.2.5 Raw Interrupt Status Registers (RISR_x)

These registers, defined in Table 21-38 and Table 21-39, are the controller FIFO raw interrupt status bits. These bits show the interrupt status whether the interrupt is enabled or not. Because the FIFO and shift registers are empty after reset, all RISR fields except TCIS are cleared to 0. Writing to this register clears an overrun error.

Table 21-38. RISR_x

BIT	31	30	29	28	27	26	25	24	23	22	21	20	19	18	17	16
FIELD	///															
RESET	0	0	0	0	0	0	0	0	0	0	0	0	0	0	0	0
TYPE	RO	RO	RO	RO	RO	RO	RO	RO	RO	RO	RO	RO	RO	RO	RO	RO
BIT	15	14	13	12	11	10	9	8	7	6	5	4	3	2	1	0
FIELD	///												RIS	TIS	RTIS	TCIS
RESET	0	0	0	0	0	0	0	0	0	0	0	0	0	1	0	1
TYPE	RO	RO	RO	RO	RO	RO	RO	RO	RO	RO	RO	RO	RO	RO	RO	RO
ADDR	FIFO1: 0x8000.0010 FIFO2: 0x8000.0030 FIFO3: 0x8000.0050 FIFO4: 0x8000.0070															

Table 21-39. RISRx Register Fields

BITS	NAME	DESCRIPTION
31:4	///	Reserved Reading returns 0. Values written cannot be read.
3	RIS	<p>Receive Interrupt Status This interrupt is asserted when one of two conditions exist:</p> <ul style="list-style-type: none"> • When the corresponding receive FIFO is enabled, this interrupt is asserted when the FIFO becomes half full. It is cleared when software has performed enough reads from the corresponding data register to make the receive FIFO less than half full. • When the corresponding receive FIFO is disabled, this interrupt is asserted when data is received into the single entry holding register. It is cleared when software reads the corresponding data register. <p>1 = FIFO Receive interrupt is asserted. 0 = FIFO Receive interrupt is not asserted.</p>
2	TIS	<p>Transmit Interrupt Status This interrupt is asserted when one of two conditions exist:</p> <ul style="list-style-type: none"> • When the corresponding transmit FIFO is enabled, this interrupt is asserted when the FIFO becomes half empty. It is cleared when software has performed enough writes to the corresponding data register to make the transmit FIFO less than half empty. • When the corresponding transmit FIFO is disabled, this interrupt is asserted when data transmission from the single entry holding register has finished. It is cleared when software writes data to the corresponding data register. <p>1 = FIFO Transmit interrupt is asserted. 0 = FIFO Transmit interrupt is not asserted.</p>
1	RTIS	<p>Receive Timeout Interrupt Status This interrupt is asserted when one of two conditions exist:</p> <ul style="list-style-type: none"> • When the corresponding receive FIFO is enabled, this interrupt is asserted when the FIFO contains at least one entry and no further data has been received for the number of frames specified by the AC97 Receive Control Register Timeout Count field (RXCR:TOC). It is cleared when software has performed enough reads from the corresponding data register to empty the receive FIFO. • When the corresponding receive FIFO is disabled, this interrupt is asserted when the single entry holding register contains data and no further data has been received for the number of frames specified by RXCR:TOC. It is cleared when software reads the corresponding data register. <p>1 = Timeout FIFO interrupt is asserted. 0 = Timeout FIFO interrupt is not asserted.</p>
0	TCIS	<p>Transmit Complete Interrupt Status This interrupt is asserted when one of two conditions exist:</p> <ul style="list-style-type: none"> • When the corresponding transmit FIFO is enabled, this interrupt is asserted when the transmit FIFO is empty and the parallel to serial shifter is empty. It is cleared when software writes data to the corresponding data register. • When the corresponding transmit FIFO is disabled, this interrupt is asserted when the single-entry transmit holding register is empty and the parallel to serial shifter is empty. It is cleared when software writes data to the corresponding data register. <p>1 = Transmit FIFO complete interrupt is asserted. 0 = Transmit FIFO has not completed transfer.</p>

21.2.2.6 Interrupt Status Registers (ISR_x)

These registers, defined in Table 21-40 and Table 21-41, are the controller FIFO interrupt status registers. Bits in this register reflect the logical bit-wise AND of the enabled interrupts in the Interrupt Enable Register (IEx), and the asserted interrupts from the Raw Interrupt Status Register (RISR_x). Because the FIFO and shift registers are empty after reset, all ISR fields except TCIS are cleared to 0.

Table 21-40. ISR_x

BIT	31	30	29	28	27	26	25	24	23	22	21	20	19	18	17	16
FIELD	///															
RESET	0	0	0	0	0	0	0	0	0	0	0	0	0	0	0	0
TYPE	RO	RO	RO	RO	RO	RO	RO	RO	RO	RO	RO	RO	RO	RO	RO	RO
BIT	15	14	13	12	11	10	9	8	7	6	5	4	3	2	1	0
FIELD	///												RIS	TIS	RTIS	TCIS
RESET	0	0	0	0	0	0	0	0	0	0	0	0	0	0	0	1
TYPE	RO	RO	RO	RO	RO	RO	RO	RO	RO	RO	RO	RO	RO	RO	RO	RO
ADDR	FIFO1: 0x8000.0014 FIFO2: 0x8000.0034 FIFO3: 0x8000.0054 FIFO4: 0x8000.0074															

Table 21-41. ISR_x Register Fields

BITS	NAME	DESCRIPTION
31:4	///	Reserved Reading returns 0. Values written cannot be read.
3	RIS	Read Interrupt Status 1 = Receive FIFO interrupt is asserted and enabled. 0 = Receive FIFO interrupt is not asserted or not enabled.
2	TIS	Transmit Interrupt Status 1 = Transmit FIFO interrupt is asserted and enabled. 0 = Transmit FIFO interrupt is not asserted or not enabled.
1	RTIS	Receive Timeout Interrupt Status 1 = Timeout FIFO interrupt is asserted and enabled. 0 = Timeout FIFO interrupt is not asserted or not enabled.
0	TCIS	Transmit Complete Interrupt Status 1 = Transmit FIFO complete interrupt is asserted and enabled. 0 = Transmit FIFO complete is either not asserted or not enabled.

21.2.2.7 Interrupt Enable Registers (IEx)

These registers, defined in Table 21-42 and Table 21-43, control the interrupt enables for the FIFOs within the controller. All bits are cleared on reset.

Table 21-42. IEx

BIT	31	30	29	28	27	26	25	24	23	22	21	20	19	18	17	16
FIELD	///															
RESET	0	0	0	0	0	0	0	0	0	0	0	0	0	0	0	0
TYPE	RO	RO	RO	RO	RO	RO	RO	RO	RO	RO	RO	RO	RO	RO	RO	RO
BIT	15	14	13	12	11	10	9	8	7	6	5	4	3	2	1	0
FIELD	///												RIE	TIE	RTIE	TCIE
RESET	0	0	0	0	0	0	0	0	0	0	0	0	0	0	0	0
TYPE	RO	RO	RO	RO	RO	RO	RO	RO	RO	RO	RO	RO	RW	RW	RW	RW
ADDR	FIFO1: 0x8000.0018 FIFO2: 0x8000.0038 FIFO3: 0x8000.0058 FIFO4: 0x8000.0078															

Table 21-43. IEx Register Fields

BITS	NAME	DESCRIPTION
31:4	///	Reserved Reading returns 0. Values written cannot be read.
3	RIE	Receive Interrupt Enable 1 = Enable the FIFO receive interrupt. 0 = FIFO receive interrupt disabled.
2	TIE	Transmit Interrupt Enable 1 = Enable the FIFO transmit interrupt. 0 = FIFO transmit interrupt disabled.
1	RTIE	Receive Timeout Interrupt Enable 1 = Enable the FIFO receive timeout interrupt. 0 = FIFO receive timeout interrupt disabled.
0	TCIE	Transmit Complete Interrupt Enable 1 = Enable the FIFO transmit complete interrupt. 0 = FIFO transmit complete interrupt disabled.

21.2.2.8 Slot 1 Data Register (S1DATA)

This register is defined in Table 21-44 through Table 21-46. Data written to this register is sent on the next available frame in Slot 1. When read, it yields the last valid data received in Slot 1 from the AC-link interface. For writes to external codec, use this sequence:

1. Write data into S2DATA.
2. Write address into S1DATA.
3. Wait one frame time (24 μ s) before writing next data word.

For reads from external codec, use this sequence:

1. Write address into S1DATA.
2. Wait for RGIS:Slot2INTRX to be set (1).

For power-down, the software must write the address 0x26 to S1DATA. Setting bit 12 in S2DATA puts the AC97 Controller into power-down mode.

Table 21-44. S1DATA Receive

BIT	31	30	29	28	27	26	25	24	23	22	21	20	19	18	17	16
FIELD	///															
RESET	0	0	0	0	0	0	0	0	0	0	0	0	0	0	0	0
TYPE	RO	RO	RO	RO	RO	RO	RO	RO	RO	RO	RO	RO	RO	RO	RO	RO
BIT	15	14	13	12	11	10	9	8	7	6	5	4	3	2	1	0
FIELD	///									DATA						
RESET	0	0	0	0	0	0	0	0	0	0	0	0	0	0	0	0
TYPE	RO	RO	RO	RO	RO	RO	RO	RO	RO	RO	RO	RO	RO	RO	RO	RO
ADDR	0x8000.0080															

Table 21-45. S1DATA Transmit

BIT	31	30	29	28	27	26	25	24	23	22	21	20	19	18	17	16
FIELD	///															
RESET	0	0	0	0	0	0	0	0	0	0	0	0	0	0	0	0
TYPE	RO	RO	RO	RO	RO	RO	RO	RO	RO	RO	RO	RO	RO	RO	RO	RO
BIT	15	14	13	12	11	10	9	8	7	6	5	4	3	2	1	0
FIELD	///									DATA						
RESET	0	0	0	0	0	0	0	0	0	0	0	0	0	0	0	0
RW	RO	RO	RO	RO	RO	RO	RO	RO	RO	WO	WO	WO	WO	WO	WO	WO
ADDR	0x8000.0080															

Table 21-46. S1DATA Register Fields

BITS	NAME	DESCRIPTION
31:7	///	Reserved Reading returns 0. Values written cannot be read.
6:0	DATA	<p>Receive Read data value of the last value written to this register via the AC-link interface. The data is the last valid received Slot 1 (when data in Slot 0 tagged Slot 1 as valid).</p> <p>Transmit Write data value to transmit on Slot 1 on the next available frame. After transmission, the data is marked as invalid.</p>

21.2.2.9 Slot 2 Data Register (S2DATA)

This register is defined in Table 21-47 through Table 21-49. Data written to this register is sent on the next available frame in Slot 2. When read, it yields the last valid data received in Slot 2 from the AC-link interface.

For writes to external codec, use this sequence:

1. Write data into S2DATA.
2. Write address into S1DATA.
3. Wait one frame time (24 μ s) before writing next data word.

For reads from external codec, use this sequence:

1. Write address into S1DATA.
2. Wait for RGIS:Slot2INTRX to be set (1).

To enter power-down mode, the software must write the address 0x26 to S1DATA. The controller records this address. Setting bit 12 in S2DATA puts the controller into power-down mode.

Table 21-47. S2DATA Receive

BIT	31	30	29	28	27	26	25	24	23	22	21	20	19	18	17	16
FIELD	///															
RESET	0	0	0	0	0	0	0	0	0	0	0	0	0	0	0	0
TYPE	RO	RO	RO	RO	RO	RO	RO	RO	RO	RO	RO	RO	RO	RO	RO	RO
BIT	15	14	13	12	11	10	9	8	7	6	5	4	3	2	1	0
FIELD	DATA															
RESET	0	0	0	0	0	0	0	0	0	0	0	0	0	0	0	0
TYPE	RO	RO	RO	RO	RO	RO	RO	RO	RO	RO	RO	RO	RO	RO	RO	RO
ADDR	0x8000.0084															

Table 21-48. S2DATA Transmit

BIT	31	30	29	28	27	26	25	24	23	22	21	20	19	18	17	16
FIELD	///															
RESET	0	0	0	0	0	0	0	0	0	0	0	0	0	0	0	0
TYPE	RO	RO	RO	RO	RO	RO	RO	RO	RO	RO	RO	RO	RO	RO	RO	RO
BIT	15	14	13	12	11	10	9	8	7	6	5	4	3	2	1	0
FIELD	DATA															
RESET	0	0	0	0	0	0	0	0	0	0	0	0	0	0	0	0
TYPE	WO	WO	WO	WO	WO	WO	WO	WO	WO	WO	WO	WO	WO	WO	WO	WO
ADDR	0x8000.0084															

Table 21-49. S2DATA Register Fields

BITS	NAME	DESCRIPTION
31:16	///	Reserved Reading returns 0. Values written cannot be read.
15:0	DATA	Receive Read data value of the last value written to this register via the AC-link interface. The data is the last valid received Slot 2 (when data in Slot 0 tagged Slot 2 as valid). Transmit Write data value to transmit on Slot 2 on the next available frame. After transmission, the data is marked as invalid.

21.2.2.10 Slot 12 Data Register (S12DATA)

This register is defined in Table 21-50 through Table 21-52. Data written to this register is sent on the next available frame in Slot 12. When read, it yields the last valid data received in Slot 12 from the AC-link interface.

Table 21-50. S12DATA Receive

BIT	31	30	29	28	27	26	25	24	23	22	21	20	19	18	17	16
FIELD	///												DATA			
RESET	0	0	0	0	0	0	0	0	0	0	0	0	0	0	0	0
TYPE	RO	RO	RO	RO	RO	RO	RO	RO	RO	RO	RO	RO	RO	RO	RO	RO
BIT	15	14	13	12	11	10	9	8	7	6	5	4	3	2	1	0
FIELD	DATA															
RESET	0	0	0	0	0	0	0	0	0	0	0	0	0	0	0	0
TYPE	RO	RO	RO	RO	RO	RO	RO	RO	RO	RO	RO	RO	RO	RO	RO	RO
ADDR	0x8000.0088															

Table 21-51. S12DATA Transmit

BIT	31	30	29	28	27	26	25	24	23	22	21	20	19	18	17	16
FIELD	///												DATA			
RESET	0	0	0	0	0	0	0	0	0	0	0	0	0	0	0	0
TYPE	RO	RO	RO	RO	RO	RO	RO	RO	RO	RO	RO	RO	WO	WO	WO	WO
BIT	15	14	13	12	11	10	9	8	7	6	5	4	3	2	1	0
FIELD	DATA															
RESET	0	0	0	0	0	0	0	0	0	0	0	0	0	0	0	0
TYPE	WO	WO	WO	WO	WO	WO	WO	WO	WO	WO	WO	WO	WO	WO	WO	WO
ADDR	0x8000.0088															

Table 21-52. S12DATA Register Fields

BITS	NAME	DESCRIPTION
31:20	///	Reserved Reading returns 0. Values written cannot be read.
19:0	DATA	Receive Read data value of the last value written to this register via the AC-link interface. Bit 0 is monitored to determine whether a GPIO interrupt occurs. Transmit Write data value to transmit on Slot 12 on the next available frame. After transmission, the data is marked as invalid.

21.2.2.11 Raw Global Interrupt Status Register (RGIS)

This register, shown in Table 21-53 and Table 21-54, indicates the status of the AC97 Controller interrupts other than the FIFO functionality. These bits reflect the status of the interrupt whether it is enabled or not. All status bits are read only.

Table 21-53. RGIS

BIT	31	30	29	28	27	26	25	24	23	22	21	20	19	18	17	16	
FIELD	///																
RESET	0	0	0	0	0	0	0	0	0	0	0	0	0	0	0	0	
TYPE	RO	RO	RO	RO	RO	RO	RO	RO	RO	RO	RO	RO	RO	RO	RO	RO	
BIT	15	14	13	12	11	10	9	8	7	6	5	4	3	2	1	0	
FIELD	///										SLOT2TXCMP	CODECREADY	RWIS	GPIOINTRX	GPIOTXCMP	Slot2INTRX	Slot1TXCMP
RESET	0	0	0	0	0	0	0	0	0	0	0	0	0	0	0	0	
TYPE	RO	RO	RO	RO	RO	RO	RO	RO	RO	RO	RO	RO	RO	RO	RO	RO	
ADDR	0x8000.008C																

Table 21-54. RGIS Register Fields

BITS	NAME	DESCRIPTION
31:7	///	Reserved Reading returns 0. Values written cannot be read.
6	SLOT2TXCMP	Slot 2 Transmit Complete This interrupt is asserted when all values written to S2DATA have been transmitted. It is cleared when software writes S2DATA. To clear, write transmit data to the S2DATA register. 1 = Slot 2 Transmit Complete interrupt is asserted. 0 = Slot 2 Transmit Complete interrupt is not asserted.
5	CODECREADY	Codec Ready This interrupt is automatically set during wakeup when the codec indicates ready by setting Slot 0 bit 15. To clear, write a 1 to GEOI bit 1. 1 = The Codec Ready interrupt is asserted. 0 = The Codec Ready interrupt is not asserted.
4	RWIS	Raw Wakeup Interrupt Status This interrupt is asserted when a wakeup event, caused by the external codec device GPIO pins, triggers ACIN assertion while the AC-link is powered-down. An AC-link wakeup interrupt is a 0-to-1 transition on ACIN while the AC-link is powered down. The controller monitors the S1DATA and S2DATA registers for the condition when the external codec has been powered down. When a wakeup event is detected on the ACIN line, an interrupt is generated to allow the processor to reactivate the link with either a Warm or Cold Reset. It is cleared when software writes a 1 to the GEOI bit 0. 1 = The Raw Wakeup interrupt is asserted. 0 = The Raw Wakeup interrupt is not asserted.

Table 21-54. RGIS Register Fields

BITS	NAME	DESCRIPTION
3	GPIOINTRX	<p>GPIO Receive Interrupt This interrupt is asserted when bit 0 in Slot 12 of ACIN is 1. This bit indicates one or more of the bits in Slot 12 have changed since the last frame. It is cleared when software reads S12DATA.</p> <p>1 = The GPIO interrupt is asserted. 0 = The GPIO interrupt is not asserted.</p>
2	GPIOTXCMP	<p>GPIO Transmission Complete This interrupt is asserted when transmission of all values written to S12DATA has finished. It is cleared when software writes S12DATA.</p> <p>1 = GPIO Transmission Complete interrupt is asserted. 0 = GPIO Transmission Complete interrupt is not asserted.</p>
1	SLOT2INTRX	<p>Slot 2 Receive Valid This interrupt is asserted when S2DATA contains new, unread data. It is cleared when software reads S2DATA.</p> <p>1 = Slot 2 Receive Valid interrupt is asserted. 0 = Slot 2 Receive Valid interrupt is not asserted.</p>
0	SLOT1TXCMP	<p>Slot 1 Transmit Complete This interrupt is asserted when all values written to S1DATA have been transmitted. It is cleared when software writes S1DATA.</p> <p>1 = Slot 1 Transmit Complete interrupt is asserted. 0 = Slot 1 Transmit Complete interrupt is not asserted.</p>

21.2.2.12 Global Interrupt Status Register (GIS)

This register, shown in Table 21-55 and Table 21-56, indicates the status of the AC97 Controller interrupts other than the FIFO functionality. This register is the logical bit-wise AND of RGIS and GIEN registers, and thus only reflects the status of enabled interrupts. All bits are read only and cleared on reset.

Table 21-55. GIS

BIT	31	30	29	28	27	26	25	24	23	22	21	20	19	18	17	16	
FIELD	///																
RESET	0	0	0	0	0	0	0	0	0	0	0	0	0	0	0	0	
TYPE	RO	RO	RO	RO	RO	RO	RO	RO	RO	RO	RO	RO	RO	RO	RO	RO	
BIT	15	14	13	12	11	10	9	8	7	6	5	4	3	2	1	0	
FIELD	///										SLOT2TXCMP	CODECREADY	WIS	GPIOINTRX	GPIOTXCMP	SLOT2INTRX	SLOT1TXCMP
RESET	0	0	0	0	0	0	0	0	0	0	1	0	0	0	1	0	1
RW	RO	RO	RO	RO	RO	RO	RO	RO	RO	RO	RO	RO	RO	RO	RO	RO	RO
ADDR	0x8000.0090																

Table 21-56. GIS Register Fields

BITS	NAME	DESCRIPTION
31:7	///	Reserved Reading returns 0. Values written cannot be read.
6	SLOT2TXCMP	Slot 2 Transmit Complete This interrupt is asserted when all values written to S2DATA have been transmitted. It is cleared when software writes 2DATA. To clear, write transmit data to the S2DATA register. 1 = Slot 2 Transmit Complete interrupt is enabled and asserted. 0 = Slot 2 Transmit Complete interrupt is not asserted or not enabled.
5	CODECREADY	Codec Ready 1 = Codec Ready interrupt is enabled and asserted. 0 = The Codec Ready interrupt is not asserted or is not enabled.
4	WIS	Wakeup Interrupt Status To clear, write to the GEOI register. 1 = Wakeup interrupt is enabled and asserted. 0 = Wakeup interrupt is not asserted or is not enabled.
3	GPIOINTRX	GPIO Receive Interrupt To clear, read the S12DATA register. 1 = GPIO interrupt is enabled and asserted. 0 = GPIO interrupt is not asserted or is not enabled.
2	GPIOTXCMP	GPIO Transmit Complete Interrupt Status To clear, write transmit data to the S12DATA register. 1 = GPIO Transmit Complete interrupt is enabled and asserted. 0 = GPIO Transmit Complete interrupt is not asserted or is not enabled.
1	SLOT2INTRX	Slot 2 Receive Valid Interrupt Status To clear, read the S2DATA register. 1 = Slot2INTRX interrupt is enabled and asserted. 0 = Slot2RXVALIT interrupt is not asserted or is not enabled.
0	SLOT1TXCMP	Slot 1 Transmit Complete This interrupt is asserted when all values written to S1DATA have been transmitted. It is cleared when software writes S1DATA. To clear, write transmit data to the S1DATA register. 1 = Slot 1 Transmit Complete interrupt is enabled and asserted. 0 = Slot 1 Transmit Complete interrupt is not asserted or not enabled.

21.2.2.13 Global Interrupt Enable Register (GIEN)

This register controls the interrupt enables for the interrupts other than the FIFO channels. This register is logically bit-wise ANDed with the RGIR to produce the contents of the GIR.

IMPORTANT: When using either the ACI or AC97, disable interrupts in the unused controller.

Table 21-57. GIEN

BIT	31	30	29	28	27	26	25	24	23	22	21	20	19	18	17	16	
FIELD	///																
RESET	0	0	0	0	0	0	0	0	0	0	0	0	0	0	0	0	
TYPE	RO	RO	RO	RO	RO	RO	RO	RO	RO	RO	RO	RO	RO	RO	RO	RO	
BIT	15	14	13	12	11	10	9	8	7	6	5	4	3	2	1	0	
FIELD	///										SLOT2TXCMPEN	CODECREADYEN	WIEN	GPIOINTRXEN	GPIOTXCMPEN	SLOT2INTRX	SLOT1TXCMPEN
RESET	0	0	0	0	0	0	0	0	0	0	0	0	0	0	0	0	
TYPE	RO	RO	RO	RO	RO	RO	RO	RO	RO	RW	RW	RW	RW	RW	RW	RW	
ADDR	0x8000.0094																

Table 21-58. GIEN Register Fields

BITS	NAME	DESCRIPTION
31:7	///	Reserved Reading returns 0. Values written cannot be read.
6	SLOT2TXCMPEN	Slot 2 Transmit Complete Interrupt Enable 1 = Enable the Slot 2 Transmit Complete interrupt. 0 = Disable the Slot 2 Transmit Complete interrupt.
5	CODECREADYEN	Codec Ready 1 = Enable the codec ready interrupt. 0 = Disable the codec ready interrupt.
4	WIEN	Wakeup Interrupt Enable 1 = Enable the wakeup interrupt. 0 = Disable the wakeup interrupt.
3	GPIOINTRXEN	GPIO Receive Interrupt Enable 1 = Enable the GPIOINTRX interrupt. 0 = Disable the GPIOINTRX interrupt.
2	GPIOTXCMPEN	GPIO Transmit Complete Interrupt Enable 1 = Enable the GPIO Transmit Complete interrupt. 0 = Disable the GPIO Transmit Complete interrupt.
1	SLOT2INTRXEN	Slot 2 Receive Valid Interrupt Enable 1 = Enable the SLOTRXVALID interrupt. 0 = Disable the SLOTRXVALID interrupt.
0	SLOT1TXCMPEN	Slot 1 Transmit Busy Interrupt Enable 1 = Enable the SLOT1TXCMPEN interrupt. 0 = Disable the SLOT1TXCMPEN interrupt.

21.2.2.14 Global End-of-Interrupt Register (GEOI)

This register is shown in Table 21-59 and Table 21-60. Writing to this register clears the codec ready and wakeup interrupts.

Table 21-59. GEOI

BIT	31	30	29	28	27	26	25	24	23	22	21	20	19	18	17	16
FIELD	///															
RESET	0	0	0	0	0	0	0	0	0	0	0	0	0	0	0	0
TYPE	RO	RO	RO	RO	RO	RO	RO	RO	RO	RO	RO	RO	RO	RO	RO	RO
BIT	15	14	13	12	11	10	9	8	7	6	5	4	3	2	1	0
FIELD	///														CODECREADY	WISC
RESET	0	0	0	0	0	0	0	0	0	0	0	0	0	0	0	0
TYPE	RO	RO	RO	RO	RO	RO	RO	RO	RO	RO	RO	RO	RO	RO	RO	WO
ADDR	0x8000.0098															

Table 21-60. GEOI Register Fields

BITS	NAME	DESCRIPTION
31:2	///	Reserved Reading returns 0. Values written cannot be read.
1	CODECREADY	Codec Ready Interrupt Status Clear 1 = Clear the CODECREADY interrupt. 0 = No effect.
0	WISC	Wakeup Interrupt Status Clear 1 = Clear the WIS interrupt. 0 = No effect.

21.2.2.15 Global Control Register (GCR)

This register, shown in Table 21-61 and Table 21-62, is the main control register for the AC97 Controller. All bits are 0 on reset. To enter the loopback test mode, set both the OCR and LOOP bit to 1. They must be 0 for normal operation. OCR and LOOP must be programmed to the same value (either both 1 or 0) for the codec to function properly.

Table 21-61. GCR

BIT	31	30	29	28	27	26	25	24	23	22	21	20	19	18	17	16
FIELD	///															
RESET	0	0	0	0	0	0	0	0	0	0	0	0	0	0	0	0
TYPE	RO	RO	RO	RO	RO	RO	RO	RO	RO	RO	RO	RO	RO	RO	RO	RO
BIT	15	14	13	12	11	10	9	8	7	6	5	4	3	2	1	0
FIELD	///													OCR	LOOP	IFE
RESET	0	0	0	0	0	0	0	0	0	0	0	0	0	0	0	0
TYPE	RO	RO	RO	RO	RO	RO	RO	RO	RO	RO	RO	RO	RO	RW	RW	RW
ADDR	0x8000.009C															

Table 21-62. GCR Register Fields

BITS	NAME	DESCRIPTION
31:3	///	Reserved Reading returns 0. Values written cannot be read.
2	OCR	Override Codec Ready 1 = Enable loopback test mode (both OCR and LOOP must be 1). 0 = Normal operation. Defaults to 0 on reset. Ensure this bit is always 0 for normal operation.
1	LOOP	Loopback Mode 1 = Enable loopback test mode (both OCR and LOOP must be 1). 0 = Normal operation. Defaults to 0 on reset. Ensure this bit is always 0 for normal operation.
0	IFE	IF Enable IFE controls the clock enable signal for the AC97 Controller clock gating block. 1 = Enable the AC97. 0 = Disable the AC97 and clear all AC97 FIFOs. Defaults to 0 on reset.

21.2.2.16 Reset Register (RESET)

This register, shown in Table 21-63 and Table 21-64, controls functions of the AC97RESET pin. All fields are cleared to 0 on reset.

Table 21-63. RESET

BIT	31	30	29	28	27	26	25	24	23	22	21	20	19	18	17	16
FIELD	///															
RESET	0	0	0	0	0	0	0	0	0	0	0	0	0	0	0	0
TYPE	RO	RO	RO	RO	RO	RO	RO	RO	RO	RO	RO	RO	RO	RO	RO	RO
BIT	15	14	13	12	11	10	9	8	7	6	5	4	3	2	1	0
FIELD	///													EFORCER	FORCEDRESET	TIMEDRESET
RESET	0	0	0	0	0	0	0	0	0	0	0	0	0	0	0	0
TYPE	RO	RO	RO	RO	RO	RO	RO	RO	RO	RO	RO	RO	RO	RW	RW	RW
ADDR	0x8000.00A0															

Table 21-64. RESET Register Fields

BITS	NAME	DESCRIPTION
31:3	///	Reserved Reading returns 0. Values written cannot be read.
2	EFORCER	Enable Forced RESET Bit 1 = Enables value of FORCEDRESET onto the AC97RESET pin. 0 = FORCEDRESET has no effect.
1	FORCEDRESET	Forced RESET The value of FORCEDRESET is gated onto the AC97RESET pin. When using this mechanism to control the AC97RESET pin, software must ensure the signal is active long enough to meet the Reset specification for the external codec device. For proper operation, FORCEDRESET and TIMEDRESET (bits 1 and 0) must be set at the same time. 1 = HIGH output on AC97RESET pin. 0 = LOW output on AC97RESET pin.
0	TIMEDRESET	Timed Reset For proper operation, FORCEDRESET and TIMEDRESET (bits 1 and 0) must be set at the same time. 1 = Force the AC97RESET pin to 0 for five cycles of the 2.9491 MHz clock. After the reset pulses complete, TIMEDRESET bit is automatically cleared. The maximum reset pulse is $0.339 \mu\text{s} \times 5 = 1.695 \mu\text{s}$. The minimum reset pulse is $1.356 \mu\text{s}$. 0 = No effect.

21.2.2.17 SYNC Port Register (SYNC)

This register, shown in Table 21-65 and Table 21-66, controls functions within the AC97 Controller of the ACSYNC pin. All fields are cleared to 0 on reset.

Table 21-65. SYNC

BIT	31	30	29	28	27	26	25	24	23	22	21	20	19	18	17	16
FIELD	///															
RESET	0	0	0	0	0	0	0	0	0	0	0	0	0	0	0	0
TYPE	RO	RO	RO	RO	RO	RO	RO	RO	RO	RO	RO	RO	RO	RO	RO	RO
BIT	15	14	13	12	11	10	9	8	7	6	5	4	3	2	1	0
FIELD	///													EFORCES	FORCEDSYNC	TIMEDSYNC
RESET	0	0	0	0	0	0	0	0	0	0	0	0	0	0	0	0
TYPE	RO	RO	RO	RO	RO	RO	RO	RO	RO	RO	RO	RO	RO	RW	RW	RW
ADDR	0x8000.00A4															

Table 21-66. SYNC Register Fields

BITS	NAME	DESCRIPTION
31:3	///	Reserved Reading returns 0. Values written cannot be read.
2	EFORCES	Forced SYNC Enable 1 = Enables value of FORCEDSYNC onto the ACSYNC pin. 0 = FORCEDSYNC has no effect.
1	FORCEDSYNC	Forced SYNC When EFORCES bit is 1, the value of FORCEDSYNC is gated onto the ACSYNC pin. When using this mechanism to control the ACSYNC pin, software must ensure the signal is active long enough to meet the specification of the external codec device. FORCEDSYNC has priority over TIMEDSYNC. For proper operation, FORCEDSYNC and TIMEDSYNC (bits 1 and 0) must be set at the same time. 1 = HIGH output on ACSYNC pin. 0 = LOW output on ACSYNC pin.
0	TIMEDSYNC	Timed SYNC For proper operation, FORCEDSYNC and TIMEDSYNC (bits 1 and 0) must be set at the same time. 1 = Force the ACSYNC pin to 1 for five cycles of the 2.9491 MHz clock, controlling the ACSYNC pin via the ACBITCLK counter. After the SYNC pulses complete, TIMEDSYNC is automatically cleared. The maximum SYNC pulse is $0.339 \mu\text{s} \times 5 = 1.695 \mu\text{s}$; the minimum is $1.356 \mu\text{s}$. 0 = No effect.

21.2.2.18 Global Control Interrupt Status Register (GCIS)

This register, shown in Table 21-67 and Table 21-68, echoes all the interrupt status registers in the AC97 Controller, allowing the software to read all the interrupt sources with one read.

Table 21-67. GCIS

BIT	31	30	29	28	27	26	25	24	23	22	21	20	19	18	17	16
FIELD	///										GIS					
RESET	0	0	0	0	0	0	0	0	0	0	0	0	0	0	0	0
TYPE	RO	RO	RO	RO	RO	RO	RO	RO	RO	RO	RO	RO	RO	RO	RO	RO
BIT	15	14	13	12	11	10	9	8	7	6	5	4	3	2	1	0
FIELD	ISR4				ISR3				ISR2				ISR1			
RESET	0	0	0	0	0	0	0	0	0	0	0	0	0	0	0	0
TYPE	RO	RO	RO	RO	RO	RO	RO	RO	RO	RO	RO	RO	RO	RO	RO	RO
ADDR	0x8000.00A8															

Table 21-68. GCIS Register Fields

BITS	NAME	DESCRIPTION
31:22	///	Reserved Reading returns 0. Values written cannot be read.
21:16	GIS	Copy of the GIS register.
15:12	ISR4	Copy of the FIFO 4 ISR register.
11:8	ISR3	Copy of the FIFO 3 ISR register.
7:4	ISR2	Copy of the FIFO 2 ISR register.
3:0	ISR1	Copy of the FIFO 1 ISR register.

Chapter 22

Audio Codec Interface (ACI)

22.1 Theory of Operation

The ACI provides these features:

- Digital serial interface to an off-chip 8-bit Codec device
- Clocks and timing pulses for serialization and de-serialization of the data stream to or from the Codec device
- Full duplex operation, with Transmit and Receive FIFOs storing up to 16 bytes each of Transmit and Receive data concurrently.

22.1.1 Transmit and Receive Mode Control

To enable ACI operation, program the Clock Divider register (CLKDIV) with a nonzero value and enable the Transmit and Receive modes individually in the Control register (CTL):

- Enable Transmit mode by setting the Transmit Enable field (CTL:TXEN)
- Enable Receive mode by setting the Receive Enable field (CTL:RXEN).

Clearing CLKDIV stops the bit clock and disables both the Transmit and Receive modes. To stop the bit clock in Transmit mode when the Transmit FIFO is empty, without disabling Transmit or Receive mode, set the CTL register Transmit Empty Stop Clock Enable field (CTL:TXEPCLKEN).

22.1.2 Multiplexing

The ACI signals are multiplexed with the AC97 Audio Codec Interface signals on these pins (see the AC97 Chapter for more information):

- The bit clock output, AC97 or ACI Bit Clock (ACBITCLK), on pin C7
- The transmitted data, AC97 or ACI Output (ACOUT), on pin B7
- The received data, AC97 or ACI Input (ACIN), on pin B6
- The frame synchronizing signal, AC97 or ACI Synchronize (ACSYNC), on pin A6.

To configure these pins for ACI use, set the GPIO Pin Multiplexing register Codec On field (PINMUX:CODECON). To configure these pins for AC97 use, clear PINMUX:CODECON (See also the Pin and Signal Multiplexing chapter).

22.1.3 Clocking

The ACI programmable frequency divider generates a common Transmit and Receive bit clock output (ACBITCLK). Transmit data bits are synchronously output with the rising edge of ACBITCLK. Receive data bits are sampled on the falling edge of ACBITCLK. The start of a data frame is indicated by ACSYNC, synchronous with the bit clock.

To generate ACBITCLK, the ACI uses the following:

- A programmable divisor in CLKDIV, from 1 to 1,023
- The source clock from the LH7A404 system clocks (ACLK = 14.7456 MHz/115).

ACBITCLK is calculated:

$$\text{ACBITCLK} = \text{ACLK} / (\text{CLKDIV} + 1)$$

The ACIBITCLK HIGH:LOW duty cycle for even or odd CLKDIV values is:

- For odd CLKDIV, HIGH:LOW is 1:1
- For even CLKDIV, HIGH:LOW is $(\text{CLKDIV}/2) : ((\text{CLKDIV} + 2)/2)$, producing a worst case 1:2 duty cycle for CLKDIV = 2.

22.1.4 Receive FIFO

The Receive FIFO is one byte wide by 16 bytes deep. This FIFO holds data received on ACIN. Reading the Data register (DATA) reads received data from the FIFO. Software can read DATA until the FIFO is empty with Receive mode enabled or disabled.

To flush the Receive FIFO, disable and re-enable Receive mode by clearing and setting CTL:RXEN.

Software can use the following flags and interrupts in the Status register (STATUS) to monitor Receive activity and the FIFO watermark:

- When the Receive FIFO contains no data, the Receive FIFO Empty field (RXFE) is set. RXFE is cleared automatically when data is received.
- When the Receive FIFO contains at least eight bytes of data, the Receive Interrupt field (RXI) is set. Reading DATA until the Receive FIFO contains fewer than eight unread bytes clears RXI.
- When the Receive FIFO is full, the Receive FIFO Full field (RXFF) is set. Reading DATA clears RXFF. When the FIFO is full, any subsequent received data is lost until software reads DATA.
- When all incoming data has been received into the FIFO, or Receive mode is disabled, the Receive Busy field (RXBUSY) is cleared. While data is being received, RXBUSY is set. If software disables Receive mode while a frame is being received, reception continues until the frame ends and the data is put in the Receive FIFO.

22.1.5 Transmit FIFO

The Transmit FIFO is one byte wide by 16 bytes deep. This FIFO holds data to be transmitted. Writing DATA puts data into the Transmit FIFO. From the FIFO, the data is transmitted via a shift register onto ACOUT, most significant bit first. ACIFSYNC is asserted during the first transmitted bit to indicate the start of the data frame.

To flush the Transmit FIFO, disable and re-enable Transmit mode by clearing and setting CTL:TXEN.

Software can use the following flags and interrupts in the Status register (STATUS) to monitor Transmit activity and the FIFO watermark:

- When the Transmit FIFO contains no data, the Transmit FIFO Empty field (TXFE) is set. Writing DATA clears TXFE. ACBITCLK continues and LOW is transmitted on ACOUT until software writes DATA. To configure the ACI to stop ACBITCLK when the Transmit FIFO is empty, without disabling the Transmit or Receive mode, set CTL:TXEPCLKEN.
- When the Transmit FIFO contains eight or fewer bytes of data, the Transmit Interrupt field (TXI) is set. Writing enough bytes to DATA to put more than eight bytes in the FIFO clears TXI.
- When the Transmit FIFO is full, the Transmit FIFO Full field (TXFF) is set. Completing a frame transmission automatically clears TXFF. Software must wait to write DATA until TXFF is cleared.
- When all data has been transmitted from the FIFO, and Transmit mode is disabled, the Transmit Busy field (TXBUSY) is cleared. While data is being transmitted, BUSY is set. If software disables Transmit mode while the FIFO contains data, transmission continues until the FIFO is empty and the last frame has been completely transmitted.

22.1.6 Interrupts

The ACI generates individual active HIGH interrupts, described in Table 22-1, for the FIFO watermarks. Fields corresponding to these interrupts are set in STATUS. Software can configure these interrupts as enabled or disabled by programming CTL. These interrupts are deasserted automatically as the amount of data in the corresponding FIFO changes.

The asserted, enabled interrupts are OR'd together to generate a single, combined interrupt, ACIINTR, to be handled by the LH7A404 Interrupt Controller. Writing any value to the End-of-Interrupt register (EOI) deasserts ACIINTR.

Table 22-1. SWI Interrupts

NAME	DESCRIPTION
RXI	Receive Interrupt The Receive FIFO contains eight or more bytes and Receive mode is enabled (CTL:RXEN set). Eight bytes is the half-full watermark. This interrupt is deasserted automatically when the FIFO becomes less than half full. When the CTL register Receive Interrupt Enable field (CTL:RXIE) is set, RXI contributes to ACIINTR. STATUS:RXI indicates when RXI is asserted.
TXI	Transmit Interrupt The Transmit FIFO contains eight or fewer bytes. Eight bytes is the half-empty watermark. This interrupt is deasserted automatically when the FIFO becomes more than half full. When the CTL register Transmit Interrupt Enable field (CTL:TXIE) is set, TXI contributes to ACIINTR. STATUS:TXI indicates when TXI is asserted. Transmit mode need not be enabled (CTL:TXEN can be set or cleared) for this interrupt to be asserted.

IMPORTANT: When using the ACI, disable AC97 interrupts to avoid false interrupt requests. When using the AC97, disable ACI interrupts.

22.1.7 Loopback

Loopback mode is available for system testing. In Loopback mode, ACOUT is internally connected to ACIN. To enable Loopback mode, set the CTL register Loopback field (CTL:LB). For normal operation, clear LB.

22.2 Register Reference

22.2.1 Memory Map

The ACI base address is 0x8000.0A00. Table 22-2 shows the ACI registers at offsets from this base address.

Table 22-2. ACI Register Summary

ADDRESS OFFSET	NAME	DESCRIPTION
0x00	DATA	Data When read, returns received data. Write data to this register for transmission.
0x04	CTL	Control Program this register to enable and disable ACI activity, interrupts, and clocking.
0x08	STATUS	Status Reports FIFO and activity status.
0x0C	EOI	End-of-Interrupt Write this register to deassert ACIINTR.
0x10	CLKDIV	Clock Divider Program this register to specify the ACBITCLK frequency.
0x14 - 0xFF	///	Reserved Avoid accessing these locations.

22.2.2 Register Descriptions

This section defines the ACI registers.

22.2.2.1 ACI Data Register (DATA)

This register, described in Table 22-3 and Table 22-4, contains the received and transmitted data:

- Writing DATA puts a byte into the Transmit FIFO.
- Reading DATA returns a byte from the Receive FIFO.

Table 22-3. DATA Register

BIT	31	30	29	28	27	26	25	24	23	22	21	20	19	18	17	16
FIELD	///															
RESET	0	0	0	0	0	0	0	0	0	0	0	0	0	0	0	0
TYPE	RO	RO	RO	RO	RO	RO	RO	RO	RO	RO	RO	RO	RO	RO	RO	RO
BIT	15	14	13	12	11	10	9	8	7	6	5	4	3	2	1	0
FIELD	///								DATA							
RESET	0	0	0	0	0	0	0	0	0	0	0	0	0	0	0	0
TYPE	RO	RO	RO	RO	RO	RO	RO	RO	RO	RW	RW	RW	RW	RW	RW	RW
ADDR	0x8000.0A00															

Table 22-4. DATA Fields

BITS	NAME	DESCRIPTION
31:8	///	Reserved Reading returns 0. Values written cannot be read back.
7:0	DATA	Data When read, returns a byte from the Receive FIFO. When written, puts a byte into the Transmit FIFO.

22.2.2.2 ACI Control Register (CTL)

This register, described in Table 22-5 and Table 22-6, enables and disables ACI activity, interrupts, and clocking. Note that if only the receiver is enabled (RXEN = 1), false RXBUSY flags may be generated. Therefore, always enable the receiver and the transmitter (TXEN = 1) at the same time.

Table 22-5. CTL Register

BIT	31	30	29	28	27	26	25	24	23	22	21	20	19	18	17	16	
FIELD	///																
RESET	0	0	0	0	0	0	0	0	0	0	0	0	0	0	0	0	
TYPE	RO	RO	RO	RO	RO	RO	RO	RO	RO	RO	RO	RO	RO	RO	RO	RO	
BIT	15	14	13	12	11	10	9	8	7	6	5	4	3	2	1	0	
FIELD	///											TXEPCLKEN	LB	TXIE	RXIE	RXEN	TXEN
RESET	0	0	0	0	0	0	0	0	0	0	0	0	0	0	0	0	
TYPE	RO	RO	RO	RO	RO	RO	RO	RO	RO	RO	RW	RW	RW	RW	RW	RW	
ADDR	0x8000.0A04																

Table 22-6. CTL Fields

BITS	NAME	DESCRIPTION
31:6	///	Reserved Reading returns 0. Values written cannot be read.
5	TXEPCLKEN	Transmit FIFO Empty Stop Clock Enable When the Transmit FIFO is empty, program this bit to stop the clock enable bit. 1 = ACBITCLK stops without disabling Transmit or Receive mode 0 = ACBITLCK continues and ACOUT is held LOW
4	LB	Loopback 1 = Enables Loopback mode 0 = Normal operation
3	TXIE	Transmit Interrupt Enable 1 = Enables the Transmit interrupt 0 = Disables the Transmit interrupt
2	RXIE	Receive Interrupt Enable 1 = Enables the Receive interrupt 0 = Disables the Receive interrupt
1	RXEN	Receive Enable 1 = Enables Receive mode 0 = Disables Receive mode and flushes the Receive FIFO
0	TXEN	Transmit Enable 1 = Enables Transmit mode 0 = Disables Transmit mode and flushes the Transmit FIFO

IMPORTANT: When using the ACI, disable AC97 interrupts to avoid false interrupt requests. When using the AC97, disable ACI interrupts (program bits [3:2] to 0).

22.2.2.3 ACI Status Register (STATUS)

This register, described in Table 22-7 and Table 22-8, reports ACI activity and FIFO status.

Table 22-7. STATUS Register

BIT	31	30	29	28	27	26	25	24	23	22	21	20	19	18	17	16	
FIELD	///																
RESET	0	0	0	0	0	0	0	0	0	0	0	0	0	0	0	0	
TYPE	RO	RO	RO	RO	RO	RO	RO	RO	RO	RO	RO	RO	RO	RO	RO	RO	
BIT	15	14	13	12	11	10	9	8	7	6	5	4	3	2	1	0	
FIELD	///									TXBUSY	RXBUSY	TXI	RXI	TXFE	RXFF	TXFF	RXFE
RESET	0	0	0	0	0	0	0	0	0	0	0	0	1	0	0	1	
TYPE	RO	RO	RO	RO	RO	RO	RO	RO	RO	RO	RO	RO	RO	RO	RO	RO	
ADDR	0x8000.0A08																

Table 22-8. STATUS Fields

BITS	NAME	DESCRIPTION
31:8	///	Reserved Reading returns 0. Values written cannot be read back.
7	TXBUSY	Transmit Busy 1 = Data transmission is active on ACOUT 0 = Transmit mode is disabled (CTL:TXEN is cleared) and all data from the FIFO has finished transmitting on ACOUT
6	RXBUSY	Receive Busy 1 = Set to 1 when the ACI is receiving data if CTL:RXEN = 1 and the Clock Divider is not 0 0 = Receive mode is disabled and all data from ACIN has been put into the Receive FIFO To clear this bit, program CTL:TXEN = 0, or CTL:TXEPCLKEN = 1, and the transmit FIFO must be empty.
5	TXI	Transmit Interrupt 1 = The Transmit FIFO contains eight or fewer bytes of data 0 = The Transmit FIFO contains more than eight bytes of data
4	RXI	Receive Interrupt 1 = The Receive FIFO contains eight or more bytes of data 0 = The Receive FIFO contains fewer than eight bytes of data
3	TXFE	Transmit FIFO Empty 1 = The Transmit FIFO contains no data. ACOUT is held LOW or ACBITCLK is stopped, depending on CTL:TXFEPCLKEN. 0 = The Transmit FIFO contains data
2	RXFF	Receive FIFO Full 1 = The Receive FIFO is full. Subsequent received data is lost until software reads the Receive FIFO. 0 = The Receive FIFO can accept additional data
1	TXFF	Transmit FIFO Full 1 = The Transmit FIFO is full. Software cannot write additional data until a byte is transmitted. 0 = The Transmit FIFO can accept additional data
0	RXFE	Receive FIFO Empty 1 = The Receive FIFO contains no data 0 = The Receive FIFO contains data

22.2.2.4 ACI End-of-Interrupt Register (EOI)

This register, described in Table 22-9 and Table 22-10, deasserts ACIINTR.

Table 22-9. EOI Register

BIT	31	30	29	28	27	26	25	24	23	22	21	20	19	18	17	16
FIELD	EOI															
RESET	0	0	0	0	0	0	0	0	0	0	0	0	0	0	0	0
TYPE	WO	WO	WO	WO	WO	WO	WO	WO	WO	WO	WO	WO	WO	WO	WO	WO
BIT	15	14	13	12	11	10	9	8	7	6	5	4	3	2	1	0
FIELD	EOI															
RESET	0	0	0	0	0	0	0	0	0	0	0	0	0	0	0	0
TYPE	WO	WO	WO	WO	WO	WO	WO	WO	WO	WO	WO	WO	WO	WO	WO	WO
ADDR	0x8000.0A0C															

Table 22-10. EOI Fields

BITS	NAME	DESCRIPTION
31:0	EOI	End of Interrupt Write any value to this field to deassert ACIINTR. Reading this field returns 0.

22.2.2.5 ACI Clock Divisor Register (CLKDIV)

This register, described in Table 22-11 and Table 22-12, contains the divisor for the ACI bit clock (ACBITCLK).

The ACI programmable frequency divider generates a common Transmit and Receive bit clock output (ACBITCLK). Transmit data bits are output synchronous with the rising edge of ACBITCLK. Receive data bits are sampled on the falling edge of ACBITCLK. The start of a data frame is indicated by ACSYNC, synchronous with the bit clock.

To generate ACBITCLK, the ACI uses:

- A programmable divisor in CLKDIV, from 1 to 1,023
- The source clock from the LH7A404 system clocks (ACLK = 14.7456 MHz/115; 128.2226 kHz).

ACBITCLK is calculated:

$$\text{ACBITCLK} = \text{ACLK} / (\text{CLKDIV} + 1)$$

The ACIBITCLK HIGH:LOW duty cycle for even or odd CLKDIV values is:

- For CLKDIV odd, HIGH:LOW is 1:1.
- For CLKDIV even, HIGH:LOW is (CLKDIV/2):((CLKDIV + 2)/2), producing a worst case 1:2 duty cycle for CLKDIV = 2.

For Codecs requiring a minimum clock rate of 64 kHz, use 1 for CLKDIV (ACLK/(1+1) = 64.1113 kHz).

Table 22-11. CLKDIV Register

BIT	31	30	29	28	27	26	25	24	23	22	21	20	19	18	17	16
FIELD	///															
RESET	0	0	0	0	0	0	0	0	0	0	0	0	0	0	0	0
TYPE	RO	RO	RO	RO	RO	RO	RO	RO	RO	RO	RO	RO	RO	RO	RO	RO
BIT	15	14	13	12	11	10	9	8	7	6	5	4	3	2	1	0
FIELD	///						CLKDIV									
RESET	0	0	0	0	0	0	0	0	0	0	0	0	0	0	0	0
TYPE	RO	RO	RO	RO	RO	RO	RW	RW	RW	RW	RW	RW	RW	RW	RW	RW
ADDR	0x8000.0A10															

Table 22-12. CLKDIV Fields

BITS	NAME	DESCRIPTION
31:10	///	Reserved Reading returns 0. Values written cannot be read back.
9:0	CLKDIV	Clock Divisor Program this field with a value between 1 and 1023; used to generate ACIBITCLK.

Chapter 23

Battery Monitor Interface (BMI)

23.1 Theory of Operation

The LH7A404 BMI is a serial communication interface for use with two types of battery monitors:

- High speed Single Wire Interface (SWI), compatible with the Texas Instruments HDQ protocol and single-wire devices.
- Smart Battery Interface (SBI), using a System Management Bus (SMBus). The BMI complies with SMBus version 2.0.

After reset, software must program the SWI and SBI registers for the correct protocols and multiplexing. The SWI and SBI signals are multiplexed as follows:

- Setting the SBI Control Register SBI Enable field (SBICR:SBI_EN) configures the Smart Battery Data signal (SMBD) on pin R2 and the Smart Battery Clock signal (SMBCLK) on pin R1.
- Setting the SWI Control Register SWI Enable field (SWICR:SWIEN) configures the Single Wire Data signal (SWID) on pin R2.
 - Pin R2, when configured for SWI operation, is driven by a tri-state buffer that only drives one direction. The direction it drives is determined by the state of the SP_INVERT bit in the SWI Control register (SWICR:SP_INVERT). On reset, the SP_INVERT bit is deasserted and R2 requires a pull-up resistor to VDD. In applications that invert the Start/Stop bits, SP_INVERT must be programmed to 1 by software and the pin requires a pull-down resistor.
- When both the SBI and the SWI are enabled simultaneously, the SWI has priority.
- When both the SBI and the SWI are disabled, pin R2 is configured as the GPIO Port B6 signal (PB6).
- When the SBI is disabled, pin R1 is configured as the GPIO Port B7 signal (PB7).

23.1.1 Single Wire Interface

The SWI performs:

- Serial-to-parallel conversion on data received from the peripheral device
- Parallel-to-serial conversion on data transmitted to the peripheral device
- Data packet encoding and decoding on data transfers, for Start-Data-Stop (SDS) packets.

23.1.1.1 SWI Overview

The SWI uses a command-based protocol, in which software initiates data transfer by sending a Write Data/Command word to the BMI. Contained within that word is a Command section that informs the SWI the location for the current transaction. The transaction can be either a read or a write.

When writing over the SWI, software loads the data into the Data Register and the bits are shifted out onto the data line by the SWI. The SWI also handles Start and Stop bit insertion on the fly. After completing a word transmission, the SWI generates an interrupt, notifying the software that the transfer has concluded.

A Read begins when a Start bit is detected by the SWI. After a complete word is loaded into the shift register, software is notified with an interrupt and may read the word from the Data Register.

If an error is detected, the software must initiate a Break Sequence. Upon completion of the Break Sequence, an interrupt (if enabled) is generated to notify the software the completion has occurred.

23.1.1.2 Protocol

The SWI uses a command-based asynchronous return-to-one protocol. A Command or Data word consists of a stream of bits, with least significant bit transmitted first. The return-to-one data bit frame consists of three distinct sections, as shown in Figure 23-1:

1. The first section is used to start the transmission by the host or monitor, taking the Data line LOW (Start bit).
2. The second section is the actual data. The data becomes valid after the time period specified in the Timing Register (SWITR), following the falling edge of a Start bit.
3. The third section is used to stop the transmission by returning the Data line to HIGH (Stop bit).

Start, Stop, and Data bits have identical widths. To specify the number of 7.3728 MHz clock cycles for each bit part, program the SWITR Bit Time Generation bit (SWITR:BTG).

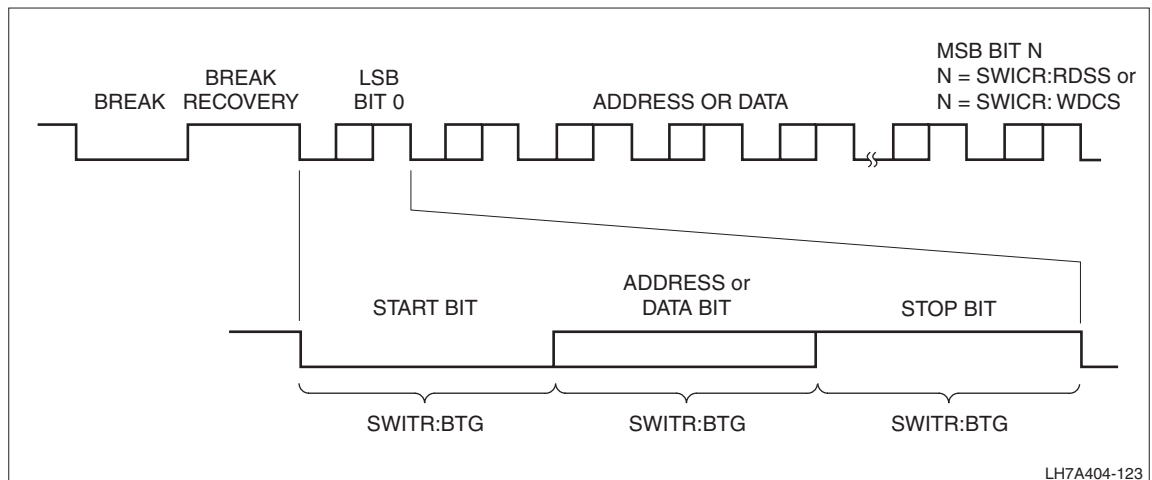


Figure 23-1. SWI Data Bit Frame Protocol

Figure 23-2 and Figure 23-3 show the data bit frame for a 0 and a 1 data bit, respectively. The data bit becomes valid after one SWITR:BTG time period from the falling edge of the Start bit, remains valid for one SWITR:BTG time period, and then becomes invalid during the Stop bit, also one SWITR:BTG time period wide. The next data bit frame follows immediately or a Break condition exists.

Figure 23-4 shows an example of a three-bit 010 data stream. Note that the falling edge from the preceding Stop bit is the beginning of the Start bit for the next data bit frame.

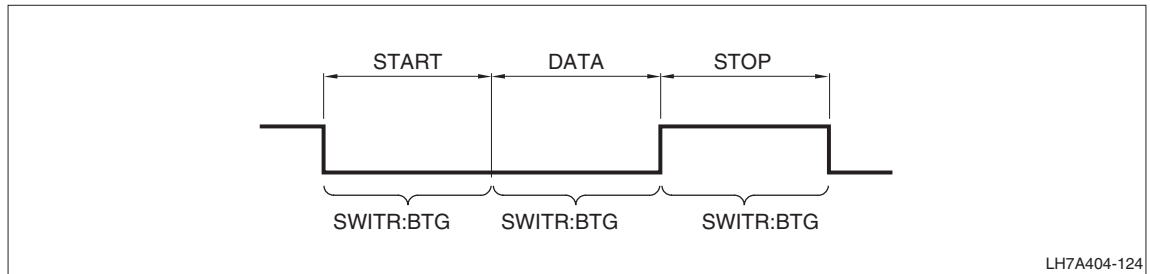


Figure 23-2. SWI Data Bit Frame for a 0 Data Value

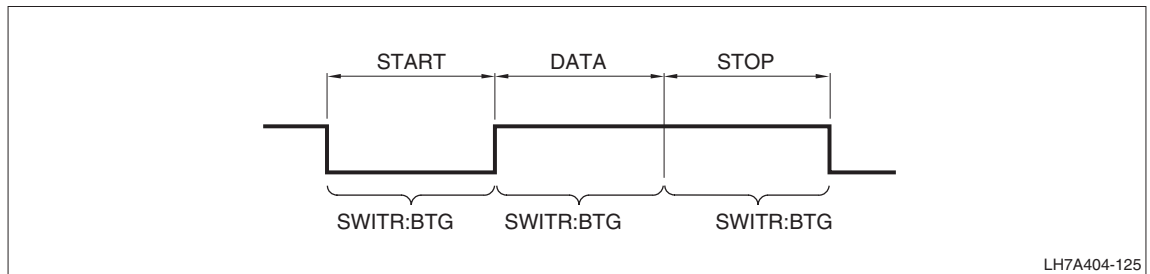


Figure 23-3. SWI Data Bit Frame for a 1 Data Value

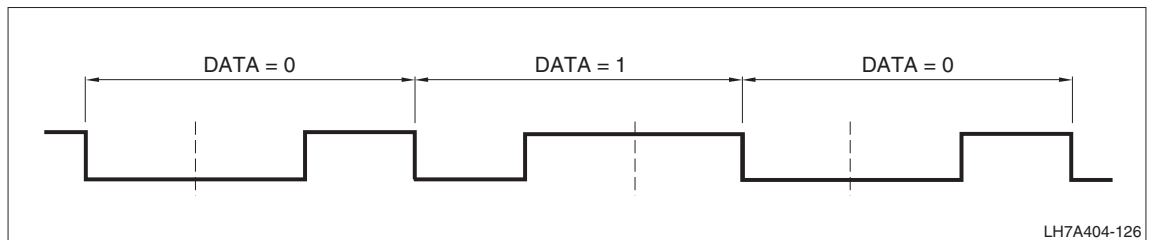


Figure 23-4. SWI Three Bit Data Bit Frame for a 010 Data Stream

Data read from the battery monitor is stored in the Data Register (SWIDR). The polarity of the external Data line can be reversed by setting the SP_Invert bit in the Control Register (SWICR). When this is set to 1, the Start bit drives the Data line HIGH and the Stop bit pulls the Data line LOW. Also, with SP_Invert set to 1, data is sampled following the rising edge of a Start bit.

A Command or Data word can be up to 256 bits long. To specify the Read Data size, program the SWICR Read Data Size Select field (SWICR:RDSS). To specify the Write Data or Command size, program the SWICR Write Data Command Size field (SWICR:WDCS).

If a communications time-out occurs, a Break is sent by software. Following a Break, the command can be re-sent. The time-out value is defined in the Break Register (SWIBR). If the Data line is driven LOW for longer than that time, a Break is generated. After a Break is generated, a recovery period is necessary.

The Data line is driven HIGH for the Break Recovery time, also programmed in SWIBR. The start of the first bit of a Command or Data word is valid after the Break and Break Recovery times finish, as shown in Figure 23-1.

23.1.1.3 Configuration

Before using the SWI, software must program the SWI registers to configure the interface in this order:

- Enable the SWI and configure the protocol parameters in the SWI Control Register (SWICR).
- Specify the Start, Data, and Stop bit timing by programming the SWI Timing Register (SWITR).
- Specify the Break and Break Recovery timing by programming the SWI Break Register (SWIBR).
- Configure interrupt handling by programming the SWI Raw Interrupt Status Register (SWIRISR) and the SWI Interrupt Enable Register (SWIIER).

23.1.1.4 Writes and Reads

Writing to the SWI Data Register (SWIDR) starts a Write transfer. Data is loaded into a shift register and serially output to the peripheral device. Completing a Write transfer asserts the Word Transmitted Interrupt (WTI), setting SWIRISR:WTI.

A Read from a peripheral device can occur only when no Write transfer is in progress and no Break mode is in effect. A Read transfer starts when SWICR:SP_Invert is 0 and a falling edge occurs on the SWI bus, or, when SP_Invert is 1 and a rising edge occurs on the SWI bus. The Read transfer sequence is:

1. Data on the SWI bus is sampled after the time period programmed in the SWI Timing Register Bit Time Generation field (SWITR:BTG).
2. When a complete word is in the shift register, the data is loaded into SWIDR.
3. When the data has been justified into SWIDR, the Word Received Interrupt is asserted, setting SWIRISR:WRI. If that interrupt is enabled, the WRI bit is also set in the Interrupt Status Register (SWIISR).
4. No additional Read transfers occur while WRI is asserted. WRI is deasserted when software reads SWIDR.

23.1.1.5 Timeout and Break

Software can detect a communication timeout when the peripheral device fails to respond within a defined time. After a timeout, software must send a Break before re-sending the command. To send a Break sequence:

1. Software sets the SWICR Generate Break Sequence bit (SWICR:GBS) to start the Break.
2. The LH7A404 deasserts the Data line for the time specified in the SWIBR SWI Break field (SWIBR:SWIB).
3. When the Break time expires, the LH7A404 asserts the data line for the Break Recovery time specified in the SWIBR SWI Break Recovery field (SWIBR:SWIBR).
4. When the Break Recovery time expires, the Break Recovery Interrupt (BRI) is asserted, setting SWIRISR:BRI.

A Break is the highest priority operation, overriding other operations:

- When the SWI is transmitting or receiving data, a Break request from the LH7A404 terminates the current transfer and the SWI enters Break mode.
- When the SWI is in Break mode and the LH7A404 initiates a data transfer, the transfer waits to start until the Break completes.

23.1.2 Smart Battery Interface

The Smart Battery Interface (SBI) performs:

- Serial to parallel conversion on data received from the peripheral device
- Parallel to serial conversion of data transmitted to the peripheral device.

23.1.2.1 SBI Overview

The SBI uses a two-wire, multi-Master bus called the System Management Bus (SMBus), meaning that more than one device capable of controlling the bus can be connected to it. A Master initiates bus transfers and provides clock signals. A Slave can receive data provided by the Master or can provide data requested by the Master. The SMBus also provides arbitration through wired-AND connection of all SMBus devices. The SBI can function as either, but only becomes a Slave for the Modified Write Word operation.

Both transmit and receive paths are buffered with FIFOs so that data can be independently stored in both transmit and receive modes.

When software has data to write to the SBI, it must first read the FIFO full flag to determine if there is room in the FIFO. If the FIFO is not full, software writes to the Data Register until the FIFO full flag indicates it is full. The SBI arbitrates for the SMBus and upon winning, transmits the data. Once the FIFO becomes half empty, software can write additional data. This process continues until all data is written to the Data Register.

When data is sent to the SBI from a Smart Battery device, it is stored in the receive FIFO and software is notified via an interrupt. Software must read the data within a programmed time period to avoid errors or overruns.

If the SBI is requested to enter the Slave Mode, it disables the clock generation block, as clocking is always supplied by the Master. The SBI responds to commands from the requesting Master and remains a Slave until the operation is completed. Upon completion, the SBI re-enters the Master Mode.

Software must be capable of handling a number of error conditions. Each is represented by a flag or an interrupt that software can identify and execute the proper process.

The following sections provide details about the Smart Battery Interface.

23.1.2.2 FIFOs

Independently configurable FIFOs store transmitted and received data separately. The SBI Control Register (SBICR) enables, disables, and configures the FIFOs. Each FIFO stores up to eight entries of eight-bit (one-byte) data. The Receive FIFO also appends a ninth bit for overrun indication. Disabling a FIFO has the effect of limiting the FIFO to a single entry. The Receive and Transmit FIFOs can be independently enabled and disabled.

The BMI automatically selects the correct FIFO when software reads or writes the SBI Data Register (SBIDR). Writing SBIDR uses the Transmit FIFO. Reading SBIDR uses the Receive FIFO. The SBI Status Register (SBISR) reports FIFO status.

When software writes to the SBIDR, the CPU determines if the Transmit FIFO is full and:

- Waits to write SBIDR until the Transmit Interrupt (TXI) is asserted, indicating the Transmit FIFO is half empty. TXI is deasserted when the Transmit FIFO is less than half empty (contains five or more entries) and remains deasserted until fewer than five bytes of data remain to be transmitted.
- Continues writing SBIDR until the Transmit FIFO is full. The SBISR Transmit FIFO Full field (SBISR:TXFF) is set when the Transmit FIFO is full and is cleared when a byte has been transmitted.

The Transmit Interrupt (TXI) appears in the SBI Raw Interrupt Status Register TXI bit (SBIRISR:TXI). When enabled in the SBI Interrupt Enable Register TXI bit (SBIIER:TXI), TXI causes the BMI Interrupt (BMIINTR) to be asserted to the LH7A404 Interrupt Controller.

To flush the Transmit FIFO, set the SBICR FIFO Flush bit (SBICR:FFLUSH) to 1. This clears the Transmit FIFO and resets all flags and control signals:

1. Any active byte transmission finishes.
2. All remaining bytes in the Transmit FIFO are discarded and not transmitted. The SBISR Transmit FIFO Empty bit (SBISR:TXFE) is set. Writing SBIDR clears TXFE.
3. If untransmitted bytes remained and were flushed from the FIFO, the SBISR Transmit Underrun Error bit (SBISR:TXUE) is set to 1. Writing any value to SBIDR clears TXUE.
4. Once the FIFO has been flushed, software must reset SBICR:FFLUSH to 0.

When data is received, the Receive FIFO provides:

- Each data byte, in the order received, for software to read from SBIDR.
- A status in the SBISR Receive Overrun Error bit (SBISR:RXOE).

When RXOE reads as a 1, the data byte available to be read from SBIDR is the final byte received before a receive overrun error occurred. At least one byte of subsequent data has been lost, because the FIFO was full when this subsequent data was received. Reading SBIDR, to read the data associated with the overrun error, clears RXOE.

Software can configure a time-out value for Receive operations by programming the SBICR Time-out Count field (SBICR:TOC). The Receive Time-out counter is started when data is received in the Receive FIFO and is stopped and reset when software reads SBIDR. When the counter reaches 0, the Receive Time-out Interrupt (RTI) is asserted, setting SBIRISR:RTI to 1. Reading SBIDR deasserts RTI, clearing SBIRISR:RTI.

When the Receive FIFO is half full (contains four bytes of unread data), the Receive Interrupt (RXI) is asserted, setting SBIRISR:RXI to 1. This condition stops the Receive Time-out counter. Reading SBIDR deasserts RXI, clearing SBIRISR:RXI, which stops and resets the Receive Time-out counter.

When enabled in the SBI Interrupt Enable Register RTI and RXI bits (SBIIER:RTI and SBIIER:RXI), either of these interrupts causes the BMI Interrupt (BMIINTR) to be asserted to the LH7A404 Interrupt Controller.

23.1.2.3 System Management Bus

The SBI uses a two-wire System Management Bus (SMBus). The full System Management Bus specification is available at: <http://www.nxp.com/redirect/smbus.org>.

Two types of devices can be connected to the SMBus:

- A Slave, which receives or responds to a command.
- A Master, which issues commands, generates the clocks, and terminates the transfer.
- A Host is a specialized Master providing the main interface to the system CPU. A system can have up to one Host in a system. One example of a system with no Host is a simple battery charging station, designed to be plugged into a wall waiting to charge a Smart Battery.

A device can be designed to be any one or more of these types. For example:

- A device can be designed to be a Slave only.
- A device can be designed to act as a Slave most of the time, but become a Master as necessary.
- A Host is usually a Master, but can be designed to become a Slave as necessary.

The SBI can operate in both Master and Slave Modes. Each device using the SMBus has a unique Slave Address. Master and Host Slave Addresses provide communication between Masters and to the Host.

23.1.2.3.1 Arbitration

Multiple devices capable of Mastering the bus can be connected to the SMBus. When multiple Masters place information on the SMBus, the first Master to send a 1 when any other Master sends 0 loses arbitration and must release the bus. The clock signals during arbitration are the wired-AND combination of all the clocks provided by SMBus Masters. Bus clock signals from a Master can be altered only by clock stretching or by other Masters. Such alterations can occur only during bus arbitration. In addition to bus arbitration, the SMBus implements the method of clock LOW extending to accommodate devices of different speeds on the same bus.

A Master can start a transfer only when the bus is available; that is, after a Stop Condition or after SMBCLK remains HIGH for longer than the maximum HIGH period. Two or more devices can generate a Start Condition within the minimum hold time, putting a Start Condition on the bus.

Because the devices generating the Start Condition can be unaware of other Masters contending for the bus, arbitration occurs on SMBD while SMBCLK is HIGH. A Master transmitting a HIGH while any other Master is transmitting a LOW on SMBD loses the arbitration, as shown in Figure 23-5.

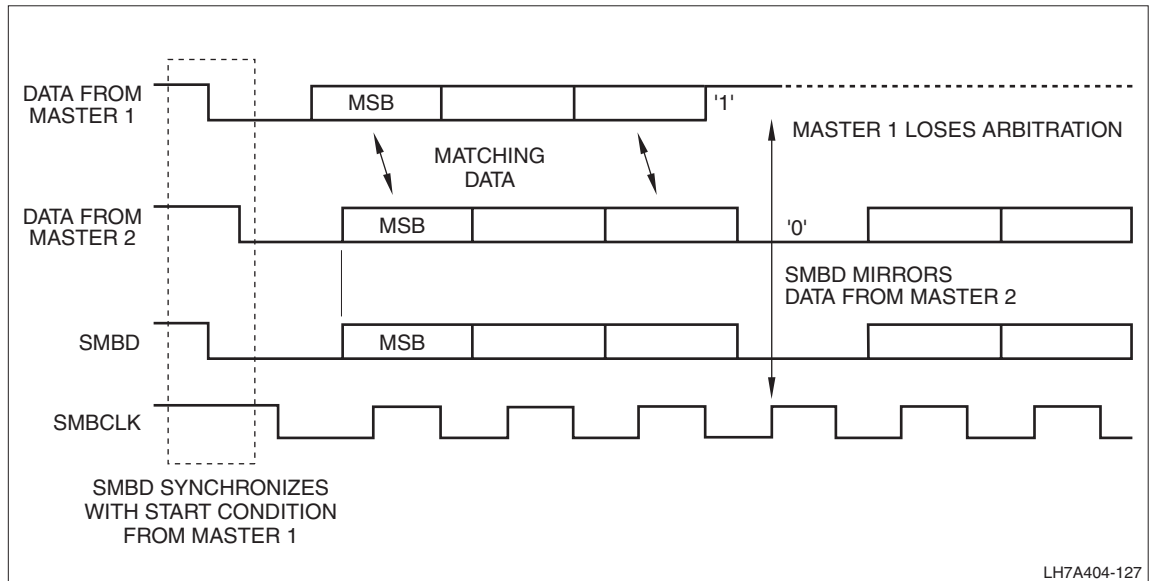


Figure 23-5. SMBus Arbitration

LH7A404-127

The Master that lost arbitration can continue providing clock pulses to complete the current byte. Arbitration between two Masters attempting to access the same device can continue past the Address byte, to include the remaining transfer data. All SMBus devices must monitor the SMBD during every bus transaction.

When a Master incorporates a Slave function and loses arbitration during the address stage, the Master must check the address placed on the bus to identify whether another Master is attempting access. If so, the Master losing arbitration must switch immediately to Slave receiver mode to receive the rest of the message.

During each bus transaction, any Masters must recognize a repeated Start Condition. A device detecting a repeated Start Condition must quit the transfer. Arbitration is prohibited between the following events:

- A repeated Start Condition and a data bit
- A Stop Condition and a data bit

A repeated Start Condition and a Stop Condition.

23.1.2.3.2 Protocols and Commands

The SBI SMBus implements a set of communication formats. Specific SMBus protocols require the Master to generate a repeated Start Condition followed by the Slave Address with no intervening Stop Condition. The SMBus data formats are:

- The Master is the transmitter and the Slave is the receiver. The transfer direction remains unchanged.
- Initially, the Master is the transmitter and the Slave is the receiver. The Master reads from Slave immediately after the first byte. When the first acknowledgment by the Slave occurs, the Master becomes a receiver and the Slave becomes a transmitter.
- A Combined format where the Master becomes a receiver. During the change of direction within a transfer, the Master repeats a Start Condition and the Slave Address with the R/nW bit reversed. The Master receiver terminates the transfer by generating a NACK on the last byte of the transfer, followed by a Stop Condition.

The SMBus accommodates several protocols. Each protocol is based on one or more conditions:

- 'PreWrite' is data transmitted after a Start Condition and before either a Stop Condition, a Repeated Start, or a Read.
- 'RepeatWrite' is data transmitted following a Repeated Start but before either a Stop Condition or a Read.
- 'Read' is data read in from the peripheral, before a Stop condition.

A message Start or Stop condition is indicated by:

- A HIGH to LOW transition of the data signal (SMBD) with the clock signal (SMBCLK) HIGH indicates a Start Condition.
- A LOW to HIGH transition of SMBD with SMBCLK HIGH indicates a STOP Condition.

Start and Stop Conditions are generated by the Master. After a Start Condition, the bus is considered to be busy. The bus becomes free again after certain time following a Stop Condition or after both the clock and data lines remain HIGH for more than 50 μ s. Figure 23-6 shows Start and Stop Condition timing.

Figure 23-7 shows a data byte. Every data byte consists of 8 bits. Each byte transferred on the bus must be followed by an acknowledge bit. Bytes are transferred with the most significant bit (MSB) first.

Putting the Start Condition, Stop Condition, and Data together, SMBus data transfers follow the format shown in Figure 23-8. The Master puts them in this sequence on the bus:

1. Start Condition
2. Seven-bit Slave Address
3. Data transfer direction (R/nW). A 0 indicates a transmission and a 1 indicates a request.
4. Stop Condition

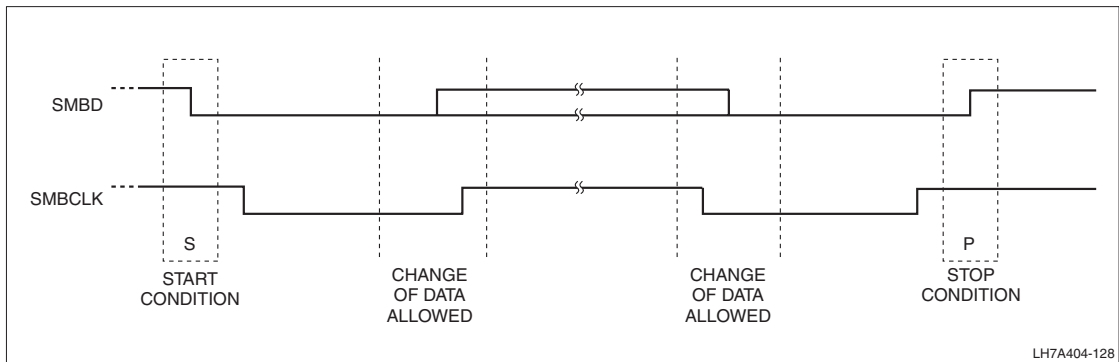


Figure 23-6. SMBus Start and Stop Conditions

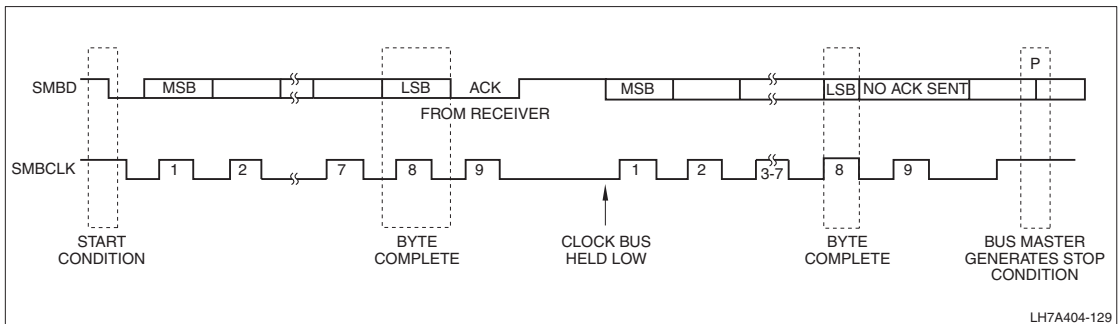


Figure 23-7. SMBus Data Transfer

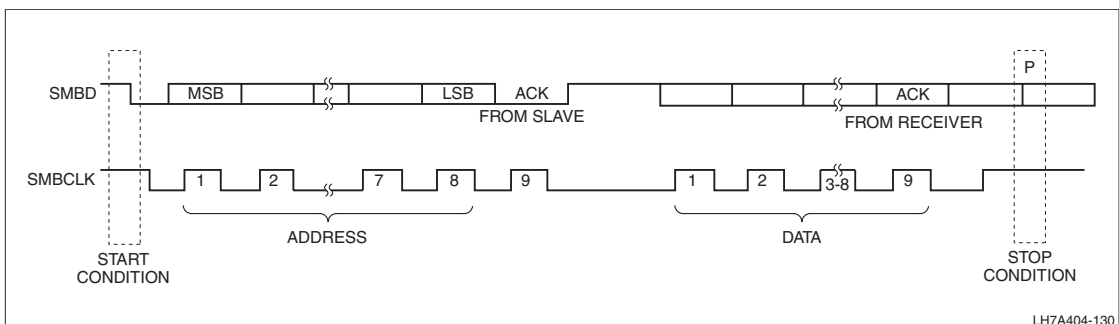


Figure 23-8. Start-Data-Stop Sequence

23.1.2.4 Using the SMBus

Software must program the SBI Count register (SBICOUNT) to specify the number of bytes of data transferred within each process. Software uses two steps for all SMBus protocols except the Block Read Transfer:

1. Program SBICOUNT and SBICR to specify the protocol parameters.
2. Write SBIDR to start the transfer.

A Block Read Transfer is different in that SBICOUNT is unspecified before the transfer begins. The Slave peripheral provides this information in the first data byte (the Length Count) of the transfer. The SBI puts the Length Count into SBICOUNT after receiving the data byte. When the Packet Error Code Enabled Flag is set in the transfer data, the SBI adjusts SBICOUNT to accommodate Packet Error Checking (PEC) following the last data byte.

A Smart SMBus interface, such as the SBI, supports a set of commands for reading and writing data. All commands are 8 bits (1 byte) long. Command arguments and return values can vary in length. Accessing a nonexistent or unsupported command causes an error condition. The most significant bit is transferred first. Eight command protocols are possible for each device. A Slave device can use any or all of these protocols. The host device must be able to support all command protocols. These command protocols can be conceptually described as register accesses, although devices need not implement linear register spaces. The commands are:

- Quick Command
- Send Byte
- Receive Byte
- Write Byte/Word
- Read Byte/Word
- Process
- Block Read
- Block Write.

23.1.2.4.1 Addresses and Address Contention

Each device using the SMBus has a unique Slave Address. Masters and the host have a Slave Address used when another Master wants to talk with them. Table 23-1 and Table 23-2 list Slave Addresses reserved by the SMBus specifications. These addresses must be avoided by any devices using the LH7A404 SBI.

The SMBus Alert Response Address (0001100) can be a substitute for device Master capability. The SMBus Device Default Address is reserved for future use by SMBus devices allowing assignable addresses. All 10-bit Slave Addresses are reserved. The host should support access to 10-bit devices. All other addresses are reserved for formal assignment by the SMBus Address Coordinating Committee.

Unrestricted addresses (10010xx) are not assigned to any device. These addresses are provided for prototyping and experimenting.

The host has the lowest address, to ensure emergency messages to the host have the highest priority. Emergency messages can carry the General Call address when pertaining to multiple devices.

Several SMBus devices can be used simultaneously in an actual system. To resolve device address contention:

- Use programmable features implemented in SMBus devices
- Use multiple SMBus branches within the same system to spread devices with identical availability to the system designer for configuring specific system implementations.

Table 23-1. Reserved Slave Addresses

SLAVE ADDRESS (BITS 7:1)	RW (BIT 0)	DESCRIPTION
0000 000	0	General Call Address
0000 000	1	START byte
0000 001	x	CBUS address
0000 010	x	Address reserved for different bus format
0000 011	x	Reserved for future use
0000 1xx	x	Reserved for future use
1111 0xx	x	10-bit Slave addressing
1111 1xx	x	Reserved for future use

Table 23-2. Reserved SMBus Slave Addresses

SLAVE ADDRESS	DESCRIPTION
0001 000	SMBus Host
0001 100	SMBus Alert Response Address
1100 001	SMBus Device Default Address
0101 000	Reserved for ACCESS.bus host
0110 111	Reserved for ACCESS.bus default address
1001 0xx	Unrestricted addresses

23.1.2.5 Smart Battery Interface Master and Slave Modes

The LH7A404 SBI can assume the role of either a Master or Slave. By default, the SBI assumes the Master role. Only for the Modified Write Word command does the SBI become a Slave.

23.1.2.5.1 SBI SMBus Slave Mode

The SBI enters the Slave Mode when requested by another Master on the System Management Bus. When the SBI is in Slave Mode, the SBISR Slave bit (SBISR:Slave) is as 1 and the Master bit (SBISR:MASTER) is 0.

In Slave Mode, the SMBus uses a clock generated by the Master instead of the LH7A404 clock generation block.

Only for the Modified Write Word protocol can a peripheral become the Master and the SBI become the Slave. In this protocol, the SBI receives the following sequence after a Start Condition generated by the Master:

- The first byte is the SMBus Host Address
- The second byte is the Peripheral Device Address
- The third and fourth bytes are data bytes
- The final byte is a Stop Condition.

After receiving the Stop Condition, the SBI generates a Slave Interrupt to inform the host the transfer has completed.

When the SBI Slave receives a data byte while the Receive FIFO is full or disabled, the SBI:

- Disables the SMBus
- Pulls the SMBus Clock LOW
- Asserts the Receive Interrupt (RXI) by setting the SBI Raw Interrupt Status Register RXI field (SBIRISR:RXI).

When software reads the SBI Data Register (SBIDR), the SBI deasserts RXI, enables the SMBus, and releases the SMBus Clock.

23.1.2.5.2 SBI SMBus Master Mode

When the SBI is in Master mode, the SBISR Master bit (SBISR:MASTER) is set 1 and the Slave bit (SBISR:SLAVE) is cleared to 0.

In Master mode, the SMBus Clock is generated from the 14.7456 MHz clock. The value programmed into the SBICR Division Factor field (SBICR:DIVFACT) is used to convert the divided-by two BMI clock (7.3728 MHz) into the clock for the SMBus:

$$\text{SMBus Clock Period} = (\text{DIVFACT} + 1) \times 271 \text{ ns}$$

For example:

- DIVFACT = 255 results in SMBus Clock Period = 69.44 μ s.
- DIVFACT = 0 results in SMBus Clock Period = 271 ns.

The SBI enters Master mode when software initiates a data transfer, by writing the data to SBIDR. This write sets the status fields and interrupts:

- The SBI Status Register Transfer Busy field (SBISR:TXBUSY) is set.
- If the Transmit FIFO is disabled or this write makes the Transmit FIFO at least half full, the Transmit Interrupt (TXI) is deasserted, clearing SBIRISR:TXI.
- If the SBISR Transmit FIFO Empty field (SBISR:TXFE) was cleared, this write sets SBISR:TXFE.

As SMBus Master, the SBI transmits a Start Condition, followed by the data, and finally a Stop Condition. The following status fields and interrupts track the transmission operation:

- When the Transmit FIFO becomes less than half full, TXI is asserted. A single transmission with the Transmit FIFO disabled also asserts TXI.
- When the Transmit FIFO becomes empty, TXFE is set.
- After the Stop Condition is transmitted, the Master Transfer Complete Interrupt (MTCI) is asserted, setting SBIRISR:MTCI.
- If data remains in the Transmit FIFO, the SBI deasserts MTCI and continues Start-Data-Stop sequence transmissions as SMBus Master.

23.1.2.5.3 Acknowledge (ACK) and Negative Acknowledge (NACK)

The Master generates the clock for ACK, as shown in Figure 23-9. The transmitter releases the data line (HIGH, for non-inverted signals) during the ACK clock cycle. To send ACK for a byte, the receiver must pull the data line LOW during the HIGH period of the clock pulse, per SMBus timing specifications. To send a Negative Acknowledge signal (NACK), the Slave must let the data line remain HIGH during the ACK clock cycle.

An SMBus device must ACK its own address. The SMBus uses this signaling to detect the presence of detachable devices on the bus. An SMBus Slave can NACK a byte in the following situations:

- The Slave is busy performing a real-time task, or the requested data is unavailable. After receiving this NACK, the Master must generate a Stop Condition to end the transfer. Alternatively, the Slave can extend the clock LOW period, to complete tasks and continue the transfer.
- The Slave detects an invalid command or invalid data and must NACK the received byte. After receiving this NACK, the Master must generate a Stop Condition before retrying the transaction.
- The Master must signal the end of data to the Slave transmitter by avoiding generating ACK for the final byte clocked out by the Slave. The Slave transmitter must release the data line to allow the Master to generate a Stop Condition.

The SMBus withholds ACK to detect whether a Slave transmitter implements Packet Error Checking (PEC). As a Master receiver, the SMBus attempts to request more data from the Slave transmitter by acknowledging the last data byte and continuing to provide clocks requesting one more byte. A Slave transmitter implementing PEC provides the Packet Error Code. The Master receiver checks the Code, and, if the Code is valid, registers the device as implementing PEC. A Slave transmitter implementing no PEC provides either invalid data or no data. The Master receiver registers such devices as not implementing PEC.

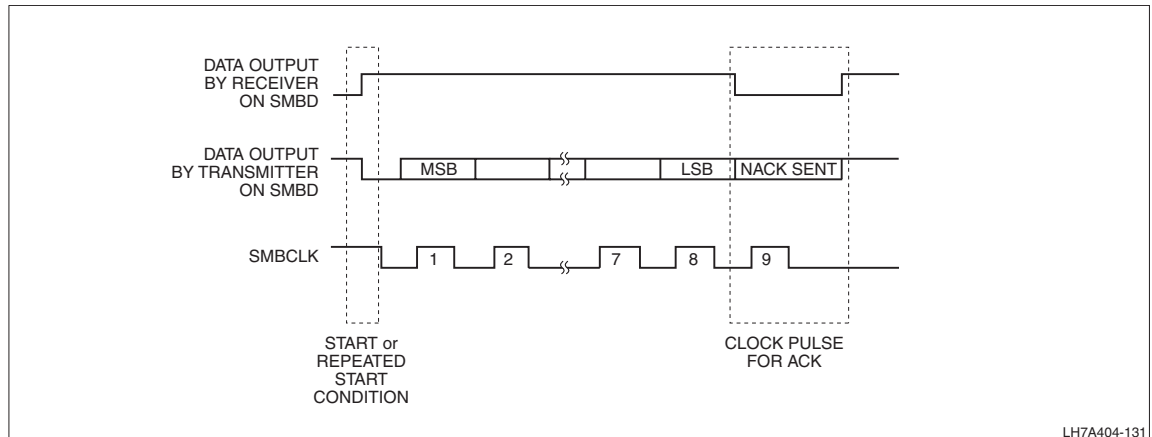


Figure 23-9. SMBus ACK and NACK

23.1.2.5.4 Clock LOW Extending (Clock Synchronizing)

The SMBus provides a clock synchronization operation to accommodate devices of different speeds on the bus. In addition to the bus arbitration procedure, the clock synchronization mechanism can be used during a bit or a byte transfer to allow slower Slaves to work with faster Masters. Figure 23-10 shows clock LOW extending.

During each bit, a device can slow down the bus by extending the clock LOW period either periodically or as needed. Devices designed to stretch every clock cycle periodically must maintain the minimum SMBus frequency of 10 kHz to preserve the SMBus bandwidth. Devices can extend the clock up to the maximum limit of the bus during each message transfer. Clock LOW extension must start before the bus minimum LOW period expires.

A Slave can extend the clock LOW period selectively; for example, to allow time for real-time task processing or byte validity checking. Clock LOW extension can occur during any bit transfer, including the clock cycle prior to the ACK clock pulse.

A Slave can extend the clock LOW period between byte transfers on the bus; for example, for received data processing or transmission data preparation. The Slave holds SMBCLK LOW after any byte reception and ACK.

The Master can extend the clock LOW period between bytes or at any time during byte transfer, including during the clock LOW period occurring after the transfer and before the ACK clock. The Master can extend the clock LOW period selectively; for example, to process data or to perform a real-time task.

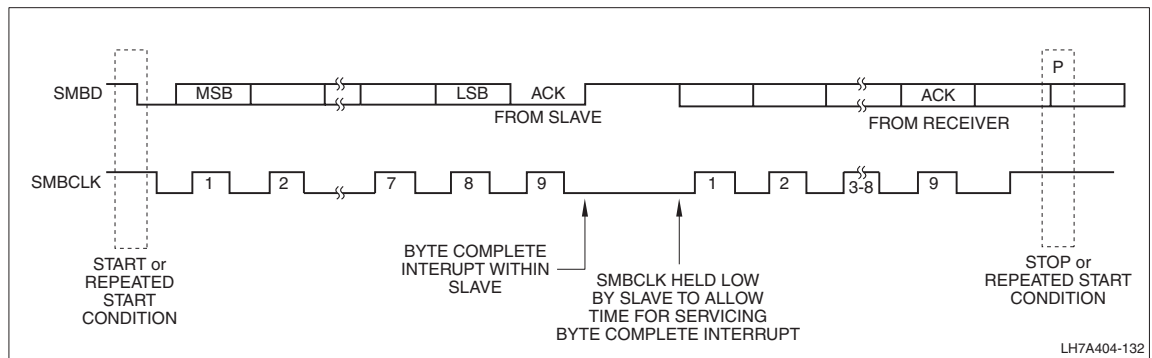


Figure 23-10. SMBus Clock LOW Extending

23.1.2.5.5 Bus Synchronization

Multiple Masters can attempt to put clock signals on the bus simultaneously. The resulting bus signal is the wired-AND of all the clock signals provided by the Masters. The bus integrity requires a clear clock definition, bit-by-bit, for all Masters involved in arbitration.

A HIGH to LOW transition on SMBCLK (pin R1) causes each device involved to start counting off a LOW period. When a device LOW period ends, the device releases SMBCLK. Until all Master LOW periods end, SMBCLK is held LOW by any devices still counting. Meanwhile, the Master that released SMBCLK enters a HIGH wait period. When all device LOW periods end, SMBCLK is released HIGH. All devices involved start counting HIGH periods. The first device that completes a HIGH period pulls SMBCLK LOW, restarting the cycle.

Figure 23-11 shows the clock synchronization timing. This cycle provides a synchronized clock for all devices, with the SMBCLK LOW period determined by the slowest device and the HIGH period by the fastest device.

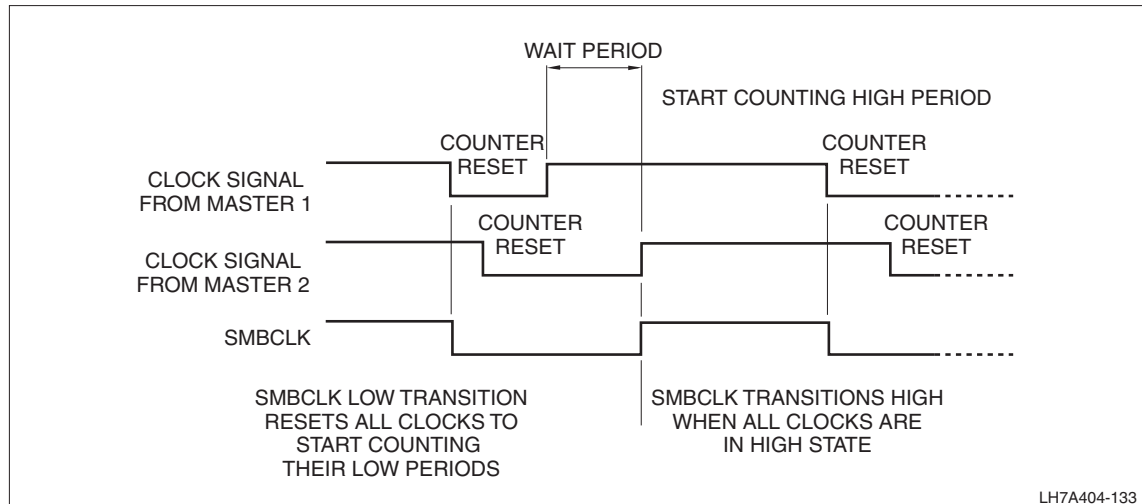


Figure 23-11. SMBus Synchronization

23.1.2.5.6 Packet Error Checking

Optional Packet Error Checking is available for reliability and communication robustness. Packet Error Checking is implemented by appending a Packet Error Code (PEC) at the end of each message transfer. Each protocol except the Modified (Slave-to-Host) Write has a Packet Error Checking and a non-Packet Error Checking variant. The PEC is a CRC-8 error checking byte, calculated on all message bytes, including addresses and RW bits. The PEC is appended to the message by the device supplying the final data byte.

The SMBus accommodates Packet Error Checking and non-Packet Error Checking devices.

A Slave implementing Packet Error Checking must be prepared to receive and transmit data with or without a PEC. During a Slave receive transfer, after identifying the Protocol and Command, the Slave must accept and check the additional PEC for validity. During a Slave transmit transfer, the Slave transmitter must respond to additional clocks after the last byte transfer and furnish a PEC on request.

A Slave supporting Packet Error Checking must:

- Perform the Slave transfer with or without a PEC
- Validate the PEC if present
- Issue a NACK when an incorrect PEC is present.

A Master receiver supporting PEC must identify the capabilities of any accessed device:

1. The Master performs a Read transfer without PEC to the device version register, as appropriate.
2. If the device version indicates PEC support, the Master repeats the Read with PEC.
3. If the PEC received is correct the Master registers the device as PEC compliant. The SBI sets the SBI Control Register PEC Enabled Flag (SBICR:PEF).

After identifying a Slave-supporting PEC, the Master can use Packet Error Checking for subsequent communications with the device as both Master receiver and Master transmitter.

Each Packet Error Checking transaction requires a PEC calculation by both the transmitter and receiver for each packet. Use an 8-bit cyclic redundancy check (CRC-8) of each Read or Write bus transaction to calculate a Frame Check Sequence (FCS) to be appended to the message. The LH7A404 accepts FCS PEC in the data for the BMI. The PEC must be calculated by software. The presence of a PEC must be determined by software. The PEC is to be calculated in software using the function $C(x) = X^8 + X^2 + X^1 + 1$.

The FCS calculation includes the following for each transmission:

- All Address, Command and Data bytes
- No ACK, NACK, START, STOP, and Repeated START bits.

23.1.2.6 Command Protocol Summary

This section describes SBI SMBus command protocols. Each command is described and a diagram is provided.

23.1.2.6.1 Quick Command

The Quick Command is useful for very small devices with limited SMBus support and to limit data on the bus for simple devices. For example, RW can turn a device function on or off; or enable or disable a low power Standby mode. The RW bit of the Slave address is the command. No data is sent or received. The Quick Command command protocol is illustrated in Figure 23-12.

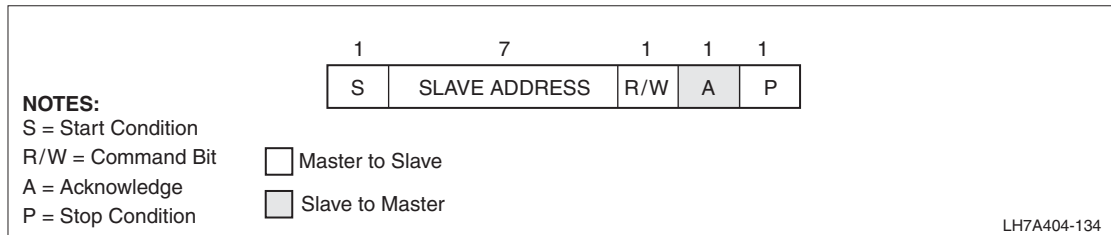


Figure 23-12. Quick Command Protocol

23.1.2.6.2 Send Byte

A device can recognize its own Slave Address and accept any of up to 256 encoded commands as a byte following the Slave Address. All or part of the Send Byte can contribute to the command. For example:

- The highest seven bits of the command code specifies a feature access, and the least significant bit turns the feature on or off.
- The Send Byte value specifies the receiver output volume adjustment.

Figure 23-13 illustrates the Send Byte command protocol.

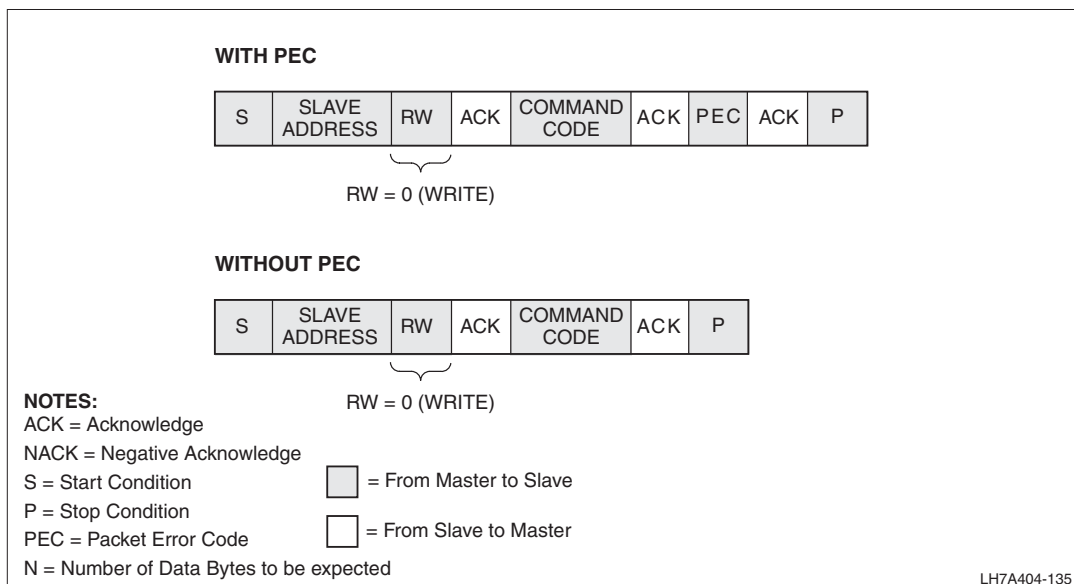


Figure 23-13. Send Byte Protocols

23.1.2.6.3 Receive Byte

Receive Byte is similar to Send Byte, the only difference being the data transfer direction. A device can use Receive Byte to send information needed by the Host. The same device can accept both Send Byte and Receive Byte protocols. NACK indicates the end of a Read transfer. Figure 23-14 illustrates the Receive Byte command protocol.

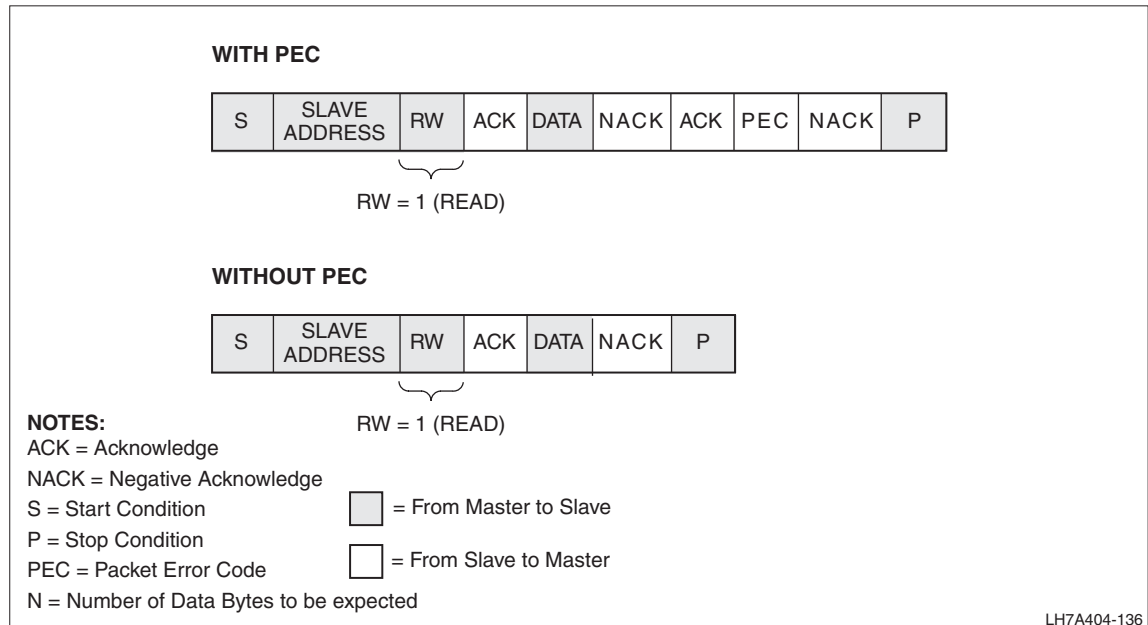


Figure 23-14. Receive Byte Protocols

23.1.2.6.4 Write Byte and Write Word

The first byte of Write Byte or Write Word is the command code. The next one or two bytes are the data to be written, with the low byte first. For example:

- The Master asserts the Slave Address followed by the Write bit.
- The Slave sends ACK.
- The Master delivers the command code.
- The Slave again sends ACK before the Master sends the data byte or word.
- The Slave acknowledges each byte.

The transaction ends with a Stop Condition. Figure 23-15 illustrates the Write Byte and Write Word command protocols.

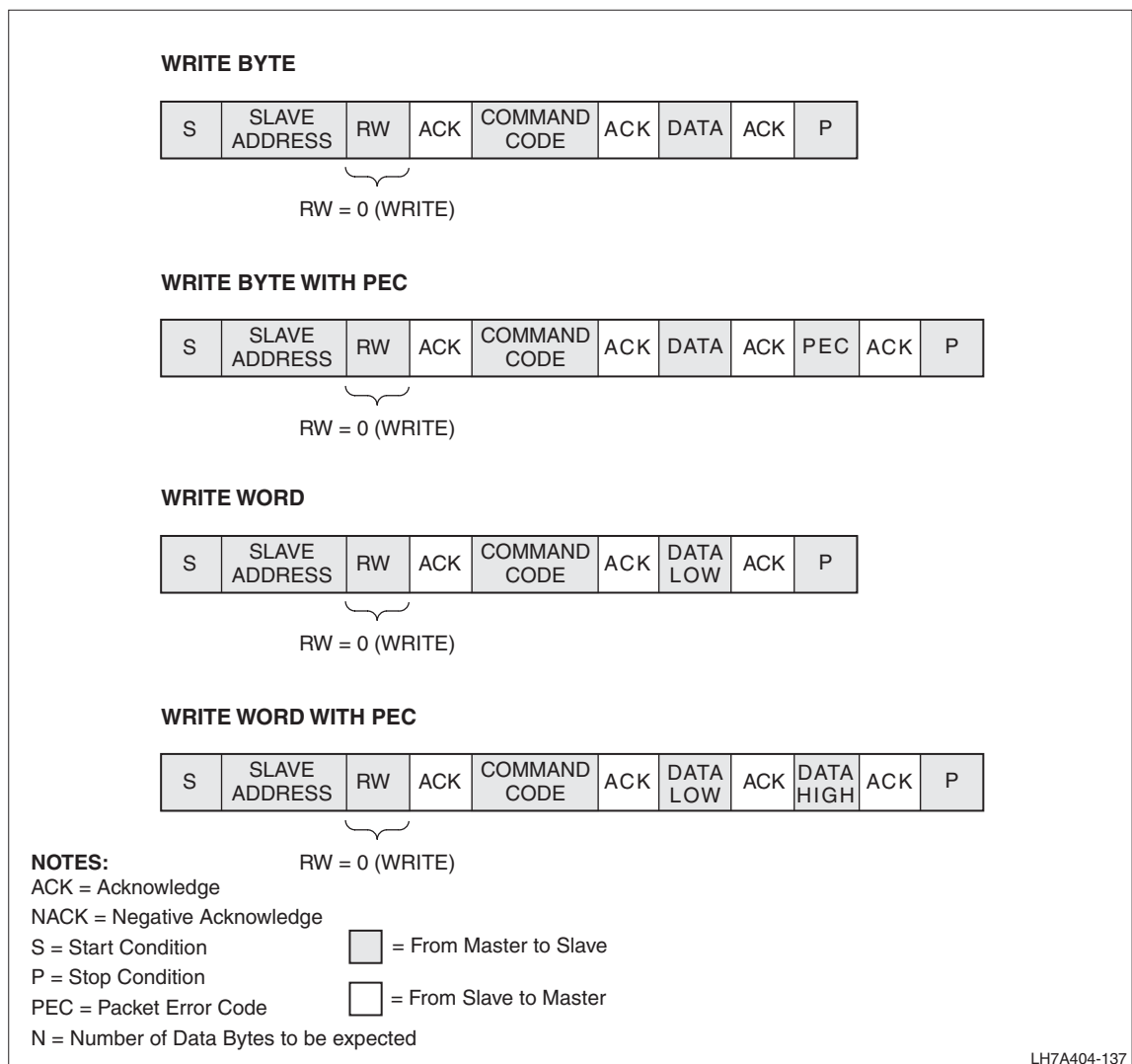


Figure 23-15. Write Byte and Write Word Protocols

23.1.2.6.5 Read Byte and Read Word

To read data:

- The Host writes a command to the Slave.
- With no intervening Stop Condition, the Host sends a Repeated Start, indicating Read from the Slave Address.
- The Slave returns one or two bytes of data.
- A NACK ends the Read transfer.

Figure 23-16 illustrates the Read Byte and Read Word command protocols.

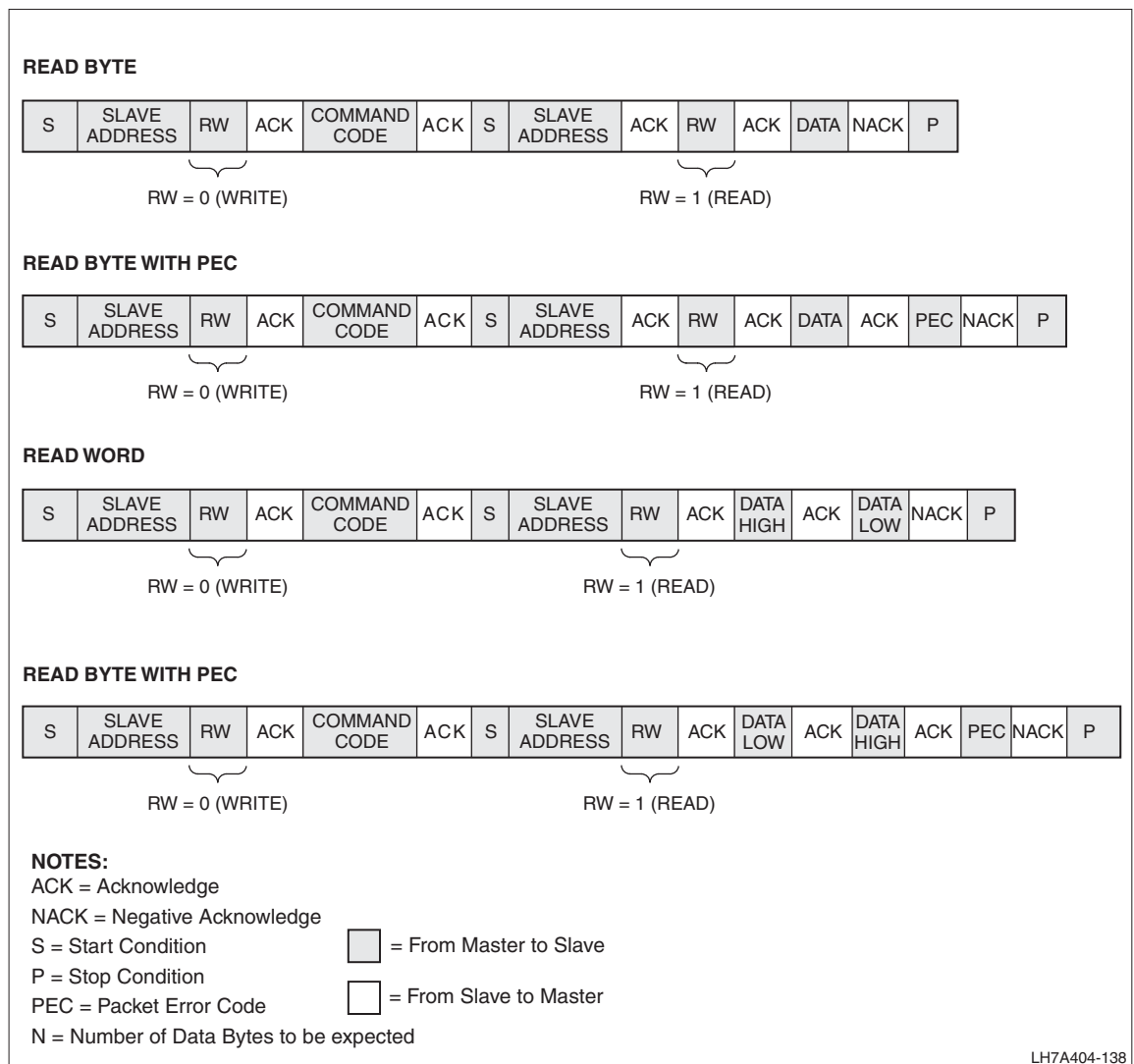


Figure 23-16. Read Byte and Read Word Protocols

23.1.2.6.7 Block Read and Block Write

The Block Write begins with a Slave Address and a Write Condition. After the command code, the Host issues a byte count specifying the number of additional bytes to follow in the message. For example, if a Slave has 20 bytes to send, the first byte is the value 0x14, and is followed by the 20 bytes of data. A 0 byte count is invalid. The maximum valid byte count is 32. The Block Read is the same as the Block Write, with the addition of a Repeated Start to satisfy the requirement for a transfer direction change. Figure 23-18 illustrates the Block Read command protocol and Figure 23-19 illustrates the Block Write.

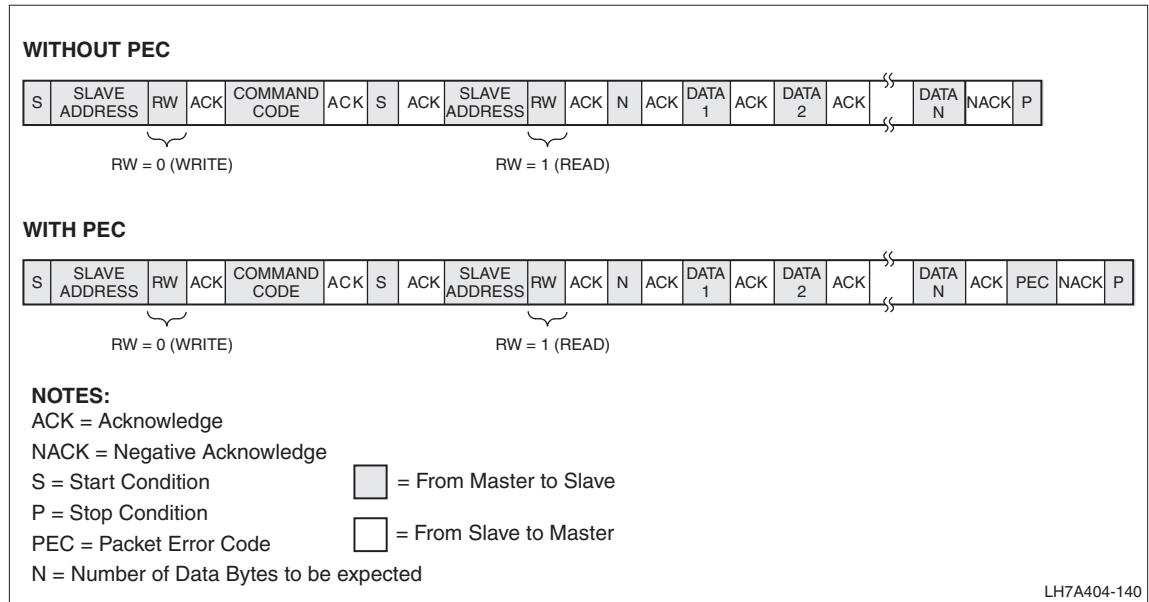


Figure 23-18. Block Read Protocol

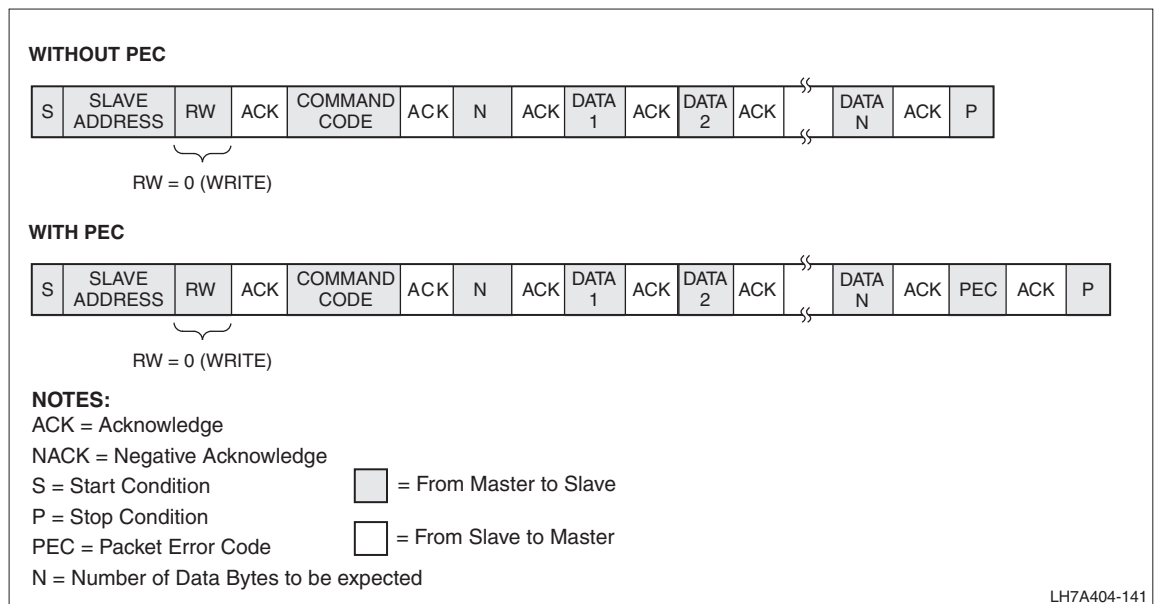


Figure 23-19. Block Write Protocol

23.1.2.6.8 Modified Write Word

The Modified Write Word is required for any message destined for the Host. This protocol is used when a device communicates with the SMBus Host acting as a Slave. The standard Write Word protocol is modified by replacing the command code with the address of the device sending the message:

- Device to Host communication begins with the Host address.
- The command code is the address of the device sending the message. The address bits occupy the seven most significant bits of the byte.
- The eighth (least significant) bit can be either 0b0 or 0b1.

The subsequent 16 bits of device status correspond to address in the command code. Figure 23-20 shows this command protocol.

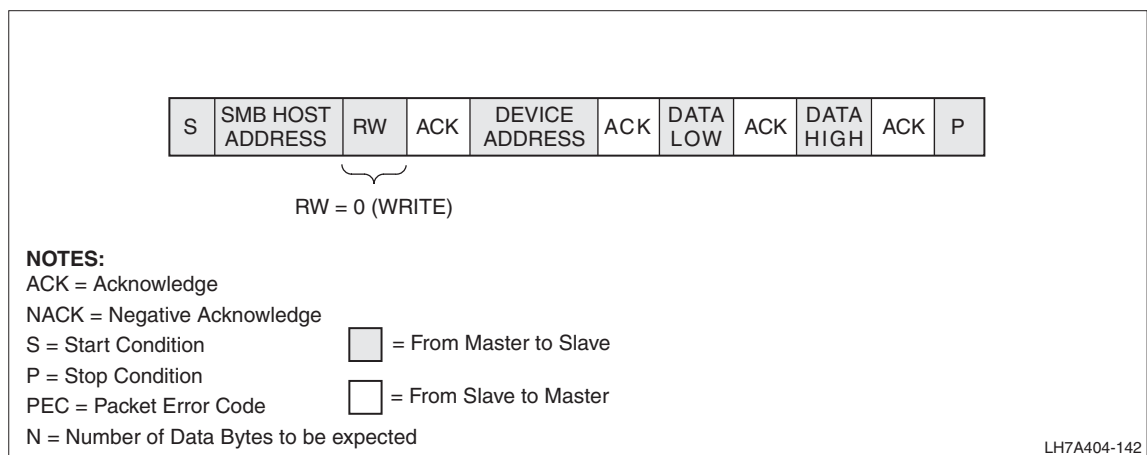


Figure 23-20. Modified Write Word Protocol

23.1.3 BMI Interrupts

The BMI generates interrupts to report the beginning and end of operations and other conditions and events in both the Single Wire Interface (SWI) and Smart Battery Interface (SBI). These interrupts are asserted in the SWI and SBI Raw Interrupt Status Registers (SWIRISR and SBIRISR). Software can enable or disable interrupts by programming the SWI and SBI Interrupt Enable registers (SWIIER and SBIIER). The logical bitwise-AND of the asserted with the interrupts enabled in the SWIIER or SBIIER appears in the SWI and SBI Interrupt Status Registers (SWIISR and SBIISR). Only interrupts asserted in SWIRISR or SBIRISR and enabled in SWIIER or SBIIER appear in SWIISR or SBIISR.

Some interrupts are deasserted during normal BMI operation. Others can be deasserted by writing a 1 to the appropriate field in the SWI or SBI End-of-Interrupt register (SWIEOI or SBIEOI). These interrupts are further explained in the Registers section of this chapter.

The individual interrupts in SBIISR are ORed together to generate a single combined interrupt, BMIINTR, to be handled by the LH7A404 Interrupt Controller. This combined interrupt, BMIINTR is deasserted in two ways:

- Disable all contributing interrupts asserted in SBIISR, by programming SBIIER.
- Deassert all contributing interrupts asserted in SBIRISR, either by writing 1 to the corresponding SBIEOI fields or by performing actions that deassert the interrupts.

Table 23-3 describes the interrupts appearing in SWIRISR, pertaining to SWI operation.

Table 23-4 describes the interrupts appearing in SBIRISR, pertaining to SBI operation.

Table 23-3. SWI Interrupts

NAME	DESCRIPTION	HANDLING
BRI	Break Recovered Interrupt The Break sequence has ended, using the Break and Break Recovery times programmed in SWITR.	Write a 1 to SWIEOI:BRI to deassert this interrupt.
WRI	Word Read Interrupt The data word from the device has been completely received into SWIDR.	Read SWIDR to deassert this interrupt.
WTI	Word Transmitted Interrupt The data word written by software to SWIDR has been completely transmitted to the device.	Write a 1 to SWIEOI:WTI to deassert this interrupt.

Table 23-4. SBI Interrupts

NAME	DESCRIPTION	HANDLING
CLTI	Clock Low Time-out Interrupt The Slave peripheral transmitting data is reporting an error. When the Slave peripheral holds the SBI bus clock line LOW for more than 25 ms, the interrupt is asserted.	Write 1 to SBIEOI:CLTI to deassert this interrupt.
STCI	Slave Transfer Complete Interrupt The SBI has received a complete data transfer while in Slave Mode; that is, a data transfer initiated by another Master.	Write 1 to SBIEOI:STCI to deassert this interrupt.
ALI	Arbitration Lost Interrupt The SBI lost arbitration while in Master mode.	Write 1 to SBIEOI:ALI to deassert this interrupt.
AFI	Acknowledge Fail Interrupt The interface has not received an ACK signal from the peripheral during a data transfer. Asserting this interrupt flushes the FIFOs.	Write 1 to SBIEOI:AFI to deassert this interrupt.
MTCI	Master Transfer Complete Interrupt The interface has completed a data transfer in Master mode; that is, a data transfer initiated by the SBI. After the Stop Condition is transmitted, the Master Transfer Complete Interrupt (MTCI) is asserted, setting SBIRISR:MTCI	Write 1 to SBIEOI:MTCI to deassert this interrupt.
RTI	Receive Time-out Interrupt The time-out counter has reached the value programmed in SBICR:TOC. The counter is initiated and reset when data is received into the RX FIFO.	When software reads data from the FIFO, the interrupt is cleared and the counter is disabled until the next data byte is received into the RX FIFO.
RXI	Receive Interrupt This interrupt indicates either: <ul style="list-style-type: none"> • The FIFO is enabled and at least half full. • The FIFO is disabled (has a depth of one location) and data is received. 	This interrupt is deasserted when either: <ul style="list-style-type: none"> • The enabled FIFO becomes less than half full. • Software reads the FIFO if disabled.
TXI	Transmit Interrupt This interrupt indicates either: <ul style="list-style-type: none"> • The FIFO is enabled and no more than half full. • The FIFO is disabled (has a depth of one location) and no data is present. 	This interrupt is deasserted when either: <ul style="list-style-type: none"> • The enabled FIFO becomes more than half full. • Software writes to the FIFO if disabled.

23.2 Register Reference

This section describes the BMI registers.

23.2.1 Memory Map

The BMI register offsets, as shown in Table 21-6 and Table 21-7, are relative to the base address 0x8000.0F00.

Table 23-5. BMI Single Wire Memory Map

ADDRESS OFFSET	NAME	DESCRIPTION
0x00	SWIDR	Single Wire Interface Data Register
0x04	SWICR	Single Wire Interface Control Register
0x08	SWISR	Single Wire Interface Status Register
0x0C	SWIRISR	Single Wire Interface Raw Interrupt Status Register
	SWIEOI	End of Interrupt
0x10	SWIISR	Single Wire Interface Interrupt Status Register
0x14	SWIIER	Single Wire Interface Interrupt Enable Register
0x18	SWITR	Single Wire Interface Timing Register
0x1C	SWIBR	Single Wire Interface Break Register

Table 23-6. BMI Smart Battery Memory Map

ADDRESS OFFSET	NAME	DESCRIPTION
0x40	SBIDR	Smart Battery Data Register
0x44	SBICR	Smart Battery Control Register
0x48	SBICOUNT	Smart Battery Count Register
0x4C	SBISR	Smart Battery Status Register
0x50	SBIRISR	Smart Battery Raw Interrupt Status Register
	SBIEOI	End of Interrupt
0x54	SBIISR	Smart Battery Interrupt Status Register
0x58	SBIIER	Smart Battery Interrupt Enable Register

23.2.2 Register Descriptions

23.2.2.1 Single Wire Interface Data Register (SWIDR)

This register, defined in Table 23-7 and Table 23-8, contains data read from the BMI, or data to be written to the BMI. Data entries can be up to 32 bits wide. Any data entry with fewer than 32 bits is right-justified. Writing a command or data to this register places the contents in the shift register. From the shift register, data is serially output to the peripheral.

Table 23-7. SWIDR

BIT	31	30	29	28	27	26	25	24	23	22	21	20	19	18	17	16
FIELD	SWID															
RESET	0	0	0	0	0	0	0	0	0	0	0	0	0	0	0	0
TYPE	RW	RW	RW	RW	RW	RW	RW	RW	RW	RW	RW	RW	RW	RW	RW	RW
BIT	15	14	13	12	11	10	9	8	7	6	5	4	3	2	1	0
FIELD	SWID															
RESET	0	0	0	0	0	0	0	0	0	0	0	0	0	0	0	0
TYPE	RW	RW	RW	RW	RW	RW	RW	RW	RW	RW	RW	RW	RW	RW	RW	RW
ADDR	0x8000.0F00															

Table 23-8. SWIDR Fields

BITS	NAME	DESCRIPTION
31:0	SWID	SWI Data Incoming or outgoing data, up to 32 bits wide.

23.2.2.2 Single Wire Interface Control Register (SWICR)

This register, defined in Table 23-9 and Table 23-10, controls SWI operation.

Table 23-9. SWICR Register

BIT	31	30	29	28	27	26	25	24	23	22	21	20	19	18	17	16
FIELD	///															SP_INVERT
RESET	0	0	0	0	0	0	0	0	0	0	0	0	0	0	0	0
TYPE	RO	RO	RO	RO	RO	RO	RO	RO	RO	RO	RO	RO	RO	RO	RO	RW
BIT	15	14	13	12	11	10	9	8	7	6	5	4	3	2	1	0
FIELD	T_RST	RDSS						WDCS						DINV	GBS	SWIEN
RESET	0	0	0	0	0	0	0	0	0	0	0	0	0	0	0	0
TYPE	RW	RW	RW	RW	RW	RW	RW	RW	RW	RW	RW	RW	RW	RW	RW	RW
ADDR	0x8000.0F04															

Table 23-10. SWICR Fields

BITS	NAME	DESCRIPTION
31:17	///	Reserved Reading returns 0. Write the reset value.
16	SP_INVERT	Start Stop Invert This bit reverses the polarity of the Data line. 1 = Polarity reversed: Start bit HIGH, Stop bit LOW, rising-edge triggered. 0 = Normal polarity. Start bit LOW, Stop bit HIGH, falling-edge triggered.
15	T_RST	Transfer Reset Resets any active data transmission or reception. 1 = Resets any active transfer. 0 = No reset.
14:9	RDSS	Read Data Size Select The value in this field specifies the number of bits to be read for a data word.
8:3	WDCS	Write Data or Command Size The value in this field specifies the number of bits to be written for a Data Command or Word.
2	DINV	Data Invert Setting this bit inverts the data polarity. 1 = Data in the SWIDR is inverted for transmission and reception. 0 = Data in the SWIDR is sent and received with normal polarity.
1	GBS	Generate Break Sequence This bit forces a Break for the time specified in the SWI Break Register SWI Break field (SWIBR:SWIB), followed by a break recovery for the time specified in the SWIBR SWI Break Recovery field (SWIBR:SWIBR). 1 = Generate a Break sequence. 0 = Do not generate a break sequence.
0	SWIEN	SWI Enable This bit enables and disables SWI operation. 1 = Enable SWI. 0 = Disable SWI.

23.2.2.3 BMI Single Wire Interface Status Register (SWISR)

This register, defined in Table 23-11 and Table 21-13, reports the SWI operating status.

Table 23-11. SWISR Register

BIT	31	30	29	28	27	26	25	24	23	22	21	20	19	18	17	16
FIELD	///															
RESET	0	0	0	0	0	0	0	0	0	0	0	0	0	0	0	0
TYPE	RO	RO	RO	RO	RO	RO	RO	RO	RO	RO	RO	RO	RO	RO	RO	RO
BIT	15	14	13	12	11	10	9	8	7	6	5	4	3	2	1	0
FIELD	///				COL	TEF	RXB	BRF	BRS	BKS	RXF	TXF	PBS	DBS	SBS	TXB
RESET	0	0	0	0	0	0	0	0	0	0	0	0	0	0	0	0
TYPE	RO	RO	RO	RO	RO	RO	RO	RO	RO	RO	RO	RO	RO	RO	RO	RO
ADDR	0x8000.0F08															

Table 23-12. SWISR Fields

BITS	NAME	DESCRIPTION
31:12	///	Reserved Reading this field returns 0. Do not write to this register.
11	COL	Collision This bit indicates that the SWI has identified a Receive initiation, but cannot start data reception because the current process is busy. 1 = Receive initiation received but the current process is busy. 0 = A new data transfer or a Break generation has occurred.
10	TEF	Transmit Error Flag 1 = The SWI cannot start data transmission because the current process is busy. 0 = A Break generation has cleared the flag.
9	RXB	Receive Busy 1 = The Receive operation is busy. 0 = The Receive operation is idle.
8	BRF	Break Recovered Flag 1 = Break recovery is complete. 0 = Break recovery not complete.
7	BRS	Break Recovery Status 1 = The SWI is generating a Break Recovery. 0 = The SWI is not generating a Break Recovery.
6	BKS	Break Status 1 = The SWI is generating a Break. 0 = The SWI is not generating a Break.
5	RXF	Received Flag 1 = A read word has been transferred from the shift register to the SWIDR. 0 = The data register has been read.
4	TXF	Transmitted Flag 1 = A word write has completed to the battery monitor from the shift register. 0 = Clear this bit by writing the corresponding interrupt in the SWIEOI.

Table 23-12. SWISR Fields (Cont'd)

BITS	NAME	DESCRIPTION
3	PBS	Stop Bit Status 1 = The SWI is reading or writing a Stop bit. 0 = The SWI is not reading or writing a Stop bit.
2	DBS	Data Bit Status 1 = The SWI is reading or writing a Data bit. 0 = The SWI is not reading or writing a Data bit.
1	SBS	Start Bit Status 1 = The SWI is reading or writing a Start bit. 0 = The SWI is not reading or writing a Start bit.
0	TXB	Transmit Busy 1 = The Battery Monitor Transmit process is busy. 0 = Transmit process is idle.

23.2.2.4 BMI Single Wire Interface Raw Interrupt Status and Clear Register (SWIRSR and SWIEOI)

This location is both the SWI Raw Interrupt Status Register (SWIRISR) and the SWI End-of-Interrupt register (SWIEOI). Reading accesses the SWIRISR; writing clears the BRI and WTI registers as defined in Table 23-13 and Table 23-14:

- As SWIRISR, this register reports the asserted or deasserted status of SWI interrupts. The values reported in SWIRISR are bit-wise-ANDed with the values programmed in SWIIER, providing the results in SWIISR.
- Writing 1 to a bit in SWIEOI deasserts the corresponding interrupt. Values written to this register cannot be read back.

Table 23-13. SWIRISR and SWIEOI Register

BIT	31	30	29	28	27	26	25	24	23	22	21	20	19	18	17	16
FIELD	///															
RESET	0	0	0	0	0	0	0	0	0	0	0	0	0	0	0	0
TYPE	RO	RO	RO	RO	RO	RO	RO	RO	RO	RO	RO	RO	RO	RO	RO	RO
BIT	15	14	13	12	11	10	9	8	7	6	5	4	3	2	1	0
FIELD	///													BRI	WRI	WTI
RESET	0	0	0	0	0	0	0	0	0	0	0	0	0	0	0	0
TYPE	RO	RO	RO	RO	RO	RO	RO	RO	RO	RO	RO	RO	RO	RW	RO	RW
ADDR	0x8000.0F0C															

Table 23-14. SWIRISR and SWIEOI Fields

BITS	NAME	DESCRIPTION
31:3	///	Reserved Reading returns 0. Write the reset value. Writing this field has no effect on any interrupt status.
2	BRI	Break Recovered Interrupt When this bit is read: 1 = Break sequence is complete. 0 = Break sequence is not complete. Write a 1 to this bit to deassert this interrupt.
1	WRI	Word Received Interrupt When this bit is read: 1 = A Data Word has been received from the peripheral. 0 = No complete Data Word has been received. Read the data register to deassert this interrupt. Writing this field has no effect on the register contents.
0	WTI	Word Transmitted Interrupt When this bit is read: 1 = A Data Word has been transmitted to a peripheral. 0 = A Data Word has not been transmitted to a peripheral. Write a 1 to this field to deassert this interrupt.

23.2.2.5 BMI Single Wire Interface Interrupt Status Register (SWISR)

This register, defined in Table 21-16 and Table 21-17, reports the asserted or deasserted status of enabled SWI interrupts. The values reported in SWIRSR are bit-wise-ANDed with the values programmed in SWIIER, providing the results in SWISR.

Table 23-15. SWISR Register

BIT	31	30	29	28	27	26	25	24	23	22	21	20	19	18	17	16
FIELD	///															
RESET	0	0	0	0	0	0	0	0	0	0	0	0	0	0	0	0
TYPE	RO	RO	RO	RO	RO	RO	RO	RO	RO	RO	RO	RO	RO	RO	RO	RO
BIT	15	14	13	12	11	10	9	8	7	6	5	4	3	2	1	0
FIELD	///													BRI	WRI	WTI
RESET	0	0	0	0	0	0	0	0	0	0	0	0	0	0	0	0
TYPE	RO	RO	RO	RO	RO	RO	RO	RO	RO	RO	RO	RO	RO	RO	RO	RO
ADDR	0x8000.0F10															

Table 23-16. SWISR Fields

BITS	NAME	DESCRIPTION
31:3	///	Reserved Reading returns 0. Do not write to this register.
2	BRI	Break Recovered Interrupt 1 = The Break sequence is complete. 0 = Either the Break sequence is incomplete or this interrupt is disabled in SWIIER.
1	WRI	Word Received Interrupt 1 = The Data Word has been completely received from the peripheral. 0 = Either the Data Word has not been completely received from the peripheral or this interrupt is disabled in SWIIER.
0	WTI	Word Transmitted Interrupt 1 = The Data Word has been completely transmitted to the peripheral. 0 = Either the Data Word has not been completely transmitted to the peripheral or this interrupt is disabled in SWIIER.

23.2.2.6 BMI Single Wire Interface Interrupt Enable Register (SWIIER)

This register, defined in Table 21-18 and Table 21-19, enables and disables the SWI interrupts:

- Write a 1 to an interrupt bit to enable the corresponding interrupt.
- Write a 0 an interrupt bit to disable the corresponding interrupt.
- Read any field to identify whether the corresponding interrupt is enabled or disabled.

The values reported in SWIRISR are bit-wise-ANDed with the values programmed in SWIIER, providing the results in SWIISR.

Table 23-17. SWIIER

BIT	31	30	29	28	27	26	25	24	23	22	21	20	19	18	17	16
FIELD	///															
RESET	0	0	0	0	0	0	0	0	0	0	0	0	0	0	0	0
TYPE	RO	RO	RO	RO	RO	RO	RO	RO	RO	RO	RO	RO	RO	RO	RO	RO
BIT	15	14	13	12	11	10	9	8	7	6	5	4	3	2	1	0
FIELD	///													BRI	WRI	WTI
RESET	0	0	0	0	0	0	0	0	0	0	0	0	0	0	0	0
TYPE	RO	RO	RO	RO	RO	RO	RO	RO	RO	RO	RO	RO	RO	RW	RW	RW
ADDR	0x8000.0F00 + 0x14															

Table 23-18. Single Wire Interface Interrupt Enable Register Fields

BITS	NAME	DESCRIPTION
31:3	///	Reserved Reading returns 0. Write the reset value. Writing this field has no effect on any interrupt status.
2	BRI	Break Recovery Interrupt Enable 1 = Enables the Break Recovered Interrupt. 0 = Disables the Break Recovered Interrupt.
1	WRI	Word Received Interrupt Enable 1 = Enables the Word Received Interrupt. 0 = Disables the Word Received Interrupt.
0	WTI	Word Transmitted Interrupt Enable 1 = Enables the Word Transmitted Interrupt. 0 = Disables the Word Transmitted Interrupt.

23.2.2.7 BMI Single Wire Interface Timing Register (SWITR)

This register, defined in Table 21-20 and Table 21-21, specifies the bit frame timing in a Command or Data word. Each bit frame includes a Start bit, Data bit, and Stop bit. Program this register with the number of 7.3728 MHz clock cycles (number of periods) required to generate each bit (Start, Data, and Stop). On Reset, this register defaults to 0, which results in a duration of 135 ns for each bit.

This register value is not the data bit rate. Because the value in this register is the time required for each part of a bit frame and the parts are of equal duration, the bit clock based on this register is three times the clock specified in this register.

Since each 7.3728 MHz clock period is 135 ns, the minimum Bit Cycle Time is:

$$3 \times 135 \text{ ns} = 405 \text{ ns}$$

To determine the correct value for BTG, divide the Bit Cycle Time (bit rate) by 405 ns:

$$\text{BTG} = \text{Bit Cycle Time} \div 405 \text{ ns}$$

For example, to specify a bit cycle time of 200 μs , program BTG = 0x1EE:

$$\begin{aligned} 200 \mu\text{s} \div 405 \text{ ns} &= 494 \\ &= 0x1EE \end{aligned}$$

Table 23-19. SWITR

BIT	31	30	29	28	27	26	25	24	23	22	21	20	19	18	17	16
FIELD	///															
RESET	0	0	0	0	0	0	0	0	0	0	0	0	0	0	0	0
TYPE	RO	RO	RO	RO	RO	RO	RO	RO	RO	RO	RO	RO	RO	RO	RO	RO
BIT	15	14	13	12	11	10	9	8	7	6	5	4	3	2	1	0
FIELD	BTG															
RESET	0	0	0	0	0	0	0	1	1	1	0	1	1	1	1	1
TYPE	RW	RW	RW	RW	RW	RW	RW	RW	RW	RW	RW	RW	RW	RW	RW	RW
ADDR	0x8000.0F18															

Table 23-20. Single Wire Interface Timing Register Fields

BITS	NAME	DESCRIPTION
31:16	///	Reserved Reading returns 0. Write the reset value.
15:0	BTG	Bit Time Generation Specifies the number of 7.3728 MHz clock cycles for each part of a Command or Data bit frame.

NOTE: The value programmed into the BTG field must be greater than or equal to the value programmed in the SWIBR register's SWIB and SWIBR fields.

23.2.2.8 BMI Single Wire Interface Break Register (SWIBR)

The SWI break recovery register, defined in Table 21-22 and Table 21-23, contains the time specifications for the Break and Break Recovery values.

Table 23-21. SWIBR Register

BIT	31	30	29	28	27	26	25	24	23	22	21	20	19	18	17	16
FIELD	///								SWIB							
RESET	0	0	0	0	0	0	0	0	0	1	1	0	1	1	0	0
TYPE	RO	RO	RO	RO	RO	RO	RO	RO	RW	RW	RW	RW	RW	RW	RW	RW
BIT	15	14	13	12	11	10	9	8	7	6	5	4	3	2	1	0
FIELD	SWIB				SWIBR											
RESET	1	0	0	1	0	0	1	1	0	0	1	1	0	0	0	0
TYPE	RW	RW	RW	RW	RW	RW	RW	RW	RW	RW	RW	RW	RW	RW	RW	RW
ADDR	0x8000.0F1C															

Table 23-22. SWIBR Fields

BITS	NAME	DESCRIPTION
31:24	///	Reserved Reading returns 0. Write the reset value.
23:12	SWIB	<p>SWI Break Time Specifies the number of 7.3728 MHz clock cycles for which SWID must be driven LOW to generate a Break. The following examples demonstrate the range:</p> <p>SWIB = 0xFFF generates a 555 μs Break. SWIB = 0x000 generates a 135 ns Break.</p>
11:0	SWIBR	<p>SWI Break Recovery Time Specifies the number of 7.3728 MHz clocks in which SWID must be returned HIGH to generate a Break Recovery. The following examples demonstrate the range:</p> <p>SWIB = 0xFFF generates a 555 μs Break Recovery. SWIB = 0x000 generates a 135 ns Break Recovery.</p>

23.2.2.9 BMI Smart Battery Data Register (SBIDR)

This register, defined in Table 21-24 and Table 21-25, provides access to 8-bit data in the SBI Receive and Transmit FIFOs.

- Writing SBIDR places data into the Transmit FIFO.
- Reading SBIDR reads data from the Receive FIFO.

Table 23-23. SBIDR Register

BIT	31	30	29	28	27	26	25	24	23	22	21	20	19	18	17	16
FIELD	///															
RESET	0	0	0	0	0	0	0	0	0	0	0	0	0	0	0	0
TYPE	RO	RO	RO	RO	RO	RO	RO	RO	RO	RO	RO	RO	RO	RO	RO	RO
BIT	15	14	13	12	11	10	9	8	7	6	5	4	3	2	1	0
FIELD	///								SBID							
RESET	0	0	0	0	0	0	0	0	0	0	0	0	0	0	0	0
TYPE	RO	RO	RO	RO	RO	RO	RO	RO	RW	RW	RW	RW	RW	RW	RW	RW
ADDR	0x8000.0F40															

Table 23-24. SBIDR Fields

BITS	NAME	DESCRIPTION
31:8	///	Reserved Reading returns 0. Write the reset value.
7:0	SBID	SBI Data A single entry, up to 8 bits wide, of received data or data to be transmitted.

23.2.2.10 BMI Smart Battery Control Register (SBICR)

This register, defined in Table 21-26 and Table 21-27, controls SBI operation. Note that the FIFO Flush bit does not automatically reset itself to 0. Software must program this bit to 0 once the FIFO has been flushed.

Table 23-25. SBICR Register

BIT	31	30	29	28	27	26	25	24	23	22	21	20	19	18	17	16
FIELD	///						PEF	BRF	TOC							
RESET	0	0	0	0	0	0	0	0	0	0	0	0	0	0	0	0
TYPE	RO	RO	RO	RO	RO	RO	RW	RW	RW	RW	RW	RW	RW	RW	RW	RW
BIT	15	14	13	12	11	10	9	8	7	6	5	4	3	2	1	0
FIELD	TOC				RX_FDIS	TX_FDIS	DIVFACT								FFLUSH	SBI_EN
RESET	0	0	0	0	0	0	0	0	0	0	0	0	0	0	0	0
TYPE	RW	RW	RW	RW	RW	RW	RW	RW	RW	RW	RW	RW	RW	RW	RW	RW
ADDR	0x8000.0F44															

Table 23-26. SBICR Fields

BITS	NAME	DESCRIPTION
31:26	///	Reserved Reading returns 0. Write the reset value.
25	PEF	Packet Error Code Enabled Flag 1 = The transfer will contain a PEC following the last data byte. 0 = The transfer will not contain a PEC following the last data byte.
24	BRF	Block Read Flag 1 = A Block Read transfer has started. 0 = A Block Read transfer has not started. The total number of bytes to be read is unknown. The first data word received from the Slave indicates the number of data words to be transmitted. This number derived from the first data word is reported in SBICR:READ.
23:12	TOC	Timeout Count Value The SBI can generate a Receive Timeout Interrupt (RTI) when the receive FIFO contains data and no more data is received for the number of clock periods specified in this field. 0x001 through 0xFFF = Specifies the number of clock periods for the timeout. 0x000 = Disables the counter, preventing any timeout interrupt.
11	RX_FDIS	Receive FIFO Disable 1 = Disables the FIFO. The FIFO then holds only a single byte. 0 = Enables the FIFO to hold up to eight entries of 8-bit (1-byte) data.
10	TX_FDIS	Transmit FIFO Disable 1 = Disables the FIFO. The FIFO then holds only a single byte. 0 = Enables the FIFO to hold up to eight entries of 8-bit (1-byte) data.

Table 23-26. SBICR Fields (Cont'd)

BITS	NAME	DESCRIPTION
9:2	DIVFACT	<p>Divisor Factor Program this field to specify the SBI clock period. The BMI Clock is (XTAL Frequency)/2. For the recommended 14.7456 MHz crystal, the BMI Clock is 7.3728 MHz, with a period of 135.63 ns.</p> <p>Program this value as: $(DIVFACT + 1) \times 135.63$ ns.</p> <p>The following examples demonstrate the range:</p> <p>DIVFACT = 0xFF generates a 34.71 μs clock period (28.81 kHz). DIVFACT = 0x000 generates a 135.63 ns clock period (7.3728 MHz).</p> <p>Note that the minimum frequency the LH7A404 is capable of producing is with DIVFACT = 0xFF (34.71 μs clock period), or 28.81 kHz. This is higher than the minimum frequency allowed by the SMBus specification (10 kHz). Also, the maximum frequency allowed by the SMBus specification is 100 kHz, produced with DIVFACT = 0x49 (100.37 kHz). Any value less than 0x49 produces an invalid SMBus frequency (>100 kHz).</p>
1	FFLUSH	<p>FIFO Flush Programming this bit to 1 flushes the FIFO. This bit must be cleared to 0 by software after FIFO is flushed.</p> <p>1 = Flush the Transmit FIFO. 0 = Do not flush the Transmit FIFO.</p>
0	SBI_EN	<p>SBI Enable This bit enables and disables the SBI interface.</p> <p>1 = Enables SBI operation. 0 = Disables SBI operation.</p>

23.2.2.11 BMI Smart Battery Count Register (SBICOUNT)

This register, defined in Table 21-28 and Table 21-29, specifies the number of bytes to be transferred in each part of any System Management Bus command protocol except Block Read Transfer.

If data is loaded into the FIFO before the SMBus Interface enters IDLE, the state machine can go from GEN-STOP directly to GEN-START, bypassing the IDLE state and not reading the count register again. If the size of the next packet is not the same as the previous packet, for which the old SBICOUNT was read, an error will result.

To avoid these errors, software should sample the TXBUSY bit to ensure the SMBus Interface is in the IDLE state before loading a new byte count in the SBICOUNT register.

Table 23-27. SBICOUNT Register

BIT	31	30	29	28	27	26	25	24	23	22	21	20	19	18	17	16
FIELD	///															
RESET	0	0	0	0	0	0	0	0	0	0	0	0	0	0	0	0
TYPE	RO	RO	RO	RO	RO	RO	RO	RO	RO	RO	RO	RO	RO	RO	RO	RO
BIT	15	14	13	12	11	10	9	8	7	6	5	4	3	2	1	0
FIELD	///	READ					REP					PRE				
RESET	0	0	0	0	0	0	0	0	0	0	0	0	0	0	0	0
TYPE	RO	RW	RW	RW	RW	RW	RW	RW	RW	RW	RW	RW	RW	RW	RW	RW
ADDR	0x8000.0F48															

Table 23-28. SBICOUNT Fields

BITS	NAME	DESCRIPTION
31:15	///	Reserved Reading returns 0. Write the reset value.
14:10	READ	Read Byte Count The value written to this field determines the number of bytes transferred in the Read State.
9:5	REP	RepeatWrite Count The value written to this field determines the number of bytes transferred in the RepeatWrite State.
4:0	PRE	PreWrite Count The value written to this field determines the number of bytes transferred in the PreWrite State. Note that the reset value of 0x00 is not a valid count. This field must be programmed to a valid count prior to enabling the BMI.

IMPORTANT: In the SMBus Interface, the SBICOUNT register determines how many bytes will be sent or received during the next transaction. SBICOUNT is only read when changing from the IDLE state to GEN-START state. At the completion of a transaction, the SMBus Interface enters the GEN-STOP state. Upon exiting the GEN-STOP state, the TXBUSY status bit is cleared. This is the only indication to software that the interface is idle.

23.2.2.12 IBMI Smart Battery Status Register (SBISR)

This register, defined in Table 21-30 and Table 21-31, reports SBI operation status.

Table 23-29. SBISR Register

BIT	31	30	29	28	27	26	25	24	23	22	21	20	19	18	17	16
FIELD	///															
RESET	0	0	0	0	0	0	0	0	0	0	0	0	0	0	0	0
TYPE	RO	RO	RO	RO	RO	RO	RO	RO	RO	RO	RO	RO	RO	RO	RO	RO
BIT	15	14	13	12	11	10	9	8	7	6	5	4	3	2	1	0
FIELD	///			SBH	CLT	TXUE	RXOE	ACKFAIL	RnW	SLAVE	MASTER	TXBUSY	TXFF	FXFF	TXFE	FXFE
RESET	0	0	0	0	0	0	0	0	0	0	0	0	0	0	1	1
TYPE	RO	RO	RO	RO	RO	RO	RO	RO	RO	RO	RO	RO	RO	RO	RO	RO
ADDR	0x8000.0F4C															

Table 23-30. SBISR Fields

BITS	NAME	DESCRIPTION
31:13	///	Reserved Reading returns 0. Write the reset value.
12	SBH	Slave Bus Hold The SBI has received a data byte while the receive FIFO is full. The SMBCLK is held LOW until a location in the receive FIFO becomes available, at which point the Slave will continue to write data into the FIFO then release the SMBus. 1 = The SBI Slave block requests to disable the SMBus. 0 = Reception has resumed.
11	CLT	Clock LOW Timeout This bit indicates that an external peripheral has held the SMBCLK LOW for longer than 25 ms. 1 = An external peripheral has generated a timeout error condition. 0 = No error.
10	TXUE	Transmit Underrun Error This bit indicates that data is scheduled to be transmitted but the FIFO is empty. This only occurs if the FIFO has been written to at least once in a current data transfer. TXUE also indicates that the Transmit FIFO has been flushed. Writing to SBIDR clears the error. 1 = Transmit Underrun Error or the Transmit FIFO has been flushed. 0 = The Transmit Underrun Error has been cleared by a Write to SBIDR.
9	RXOE	Receive Overrun Error This bit indicates that data has been received but the FIFO is already full. The error is set with the last data byte prior to overrun and the bit is not set until the last byte is read. Reading SMBDR clears this error. 1 = Receive Overrun Error. 0 = Receive Overrun Error cleared by a Read to SBIDR.
8	ACKFAIL	Acknowledge Fail This bit is set when the SBI Master does not receive an expected ACK signal from a Slave following a byte transfer. This bit is not automatically cleared when the interrupt is serviced. Software must clear this bit and clear SBIRISR:AFI, by writing 0b1 to SBIEOI:AFI. 1 = Acknowledge Fail error. 0 = No error.

Table 23-30. SBISR Fields (Cont'd)

BITS	NAME	DESCRIPTION
7	RnW	Read/Not Write This bit reports the data transfer direction. 1 = SBI is receiving data from the peripheral. 0 = SBI is transmitting data to the peripheral.
6	SLAVE	Slave Mode This bit indicates that the SBI is in Slave Mode. 1 = SBI is in Slave Mode. 0 = SBI is not in Slave Mode.
5	MASTER	Master Mode This bit indicates that the SBI is in Master mode. 1 = The SBI is in Master mode. 0 = The SBI is not in Master mode.
4	TXBUSY	Transmit Busy TXBUSY indicates that the Transmit FIFO is not empty or the SBI, as Master, is currently transmitting data. 1 = The Transmit FIFO is not empty; or the SBI, as Master, is transmitting data. 0 = The Transmit FIFO is empty and any transmission has finished.
3	TXFF	Transmit FIFO Full This bit indicates that the Transmit FIFO is full. 1 = Transmit FIFO is full. 0 = Transmit FIFO is not full.
2	RXFF	Receive FIFO Full This bit indicates that the receive FIFO is full. 1 = The receive FIFO is full. 0 = The receive FIFO is not full.
1	TXFE	Transmit FIFO Empty This bit indicates that the Transmit FIFO is empty. 1 = The Transmit FIFO is empty. 0 = The Transmit FIFO is not empty.
0	RXFE	Receive FIFO Empty This bit indicates that the receive FIFO is empty. 1 = The receive FIFO is empty. 0 = The receive FIFO is not empty.

23.2.2.13 BMI Smart Battery Raw Interrupt Status Register and End-of-Interrupt Register (SBIRISR and SBIEOI)

This location is both the SBI Raw Interrupt Status Register (SBIRISR) and the SBI End-of-Interrupt register (SBIEOI). When reading, this is the SBIRISR; when writing, it is the SBIEOI, as defined in Table 23-31 and Table 23-32:

- As SBIRISR, this register reports the asserted or deasserted status of SBI interrupts. The values reported in SBIRISR are bit-wise-ANDed with the values programmed in SBIIER, providing the results in SBIISR. The results in SBIISR are ORED together to generate BMIINTR, to be handled by the LH7A404 Interrupt Controller.
- Writing a 1 to a bit in SBIEOI deasserts the corresponding interrupt, except for the FIFO status interrupts. Values written to this register cannot be read back.

The FIFO status interrupts are cleared automatically when the corresponding condition changes.

- The TXI is cleared when the Transmit FIFO becomes more than half full.
- The RXI is cleared when the Receive FIFO becomes more than half empty.
- The RTI is cleared when software reads the data from the Receive FIFO.

Table 23-31. SBIRISR and SBIEOI Register

BIT	31	30	29	28	27	26	25	24	23	22	21	20	19	18	17	16
FIELD	///															
RESET	0	0	0	0	0	0	0	0	0	0	0	0	0	0	0	0
TYPE	RO	RO	RO	RO	RO	RO	RO	RO	RO	RO	RO	RO	RO	RO	RO	RO
BIT	15	14	13	12	11	10	9	8	7	6	5	4	3	2	1	0
FIELD	///								CLTI	STCI	ALI	AFI	FXI	TXI	RTI	MTCI
RESET	0	0	0	0	0	0	0	0	0	0	0	0	0	1	0	0
TYPE	RO	RO	RO	RO	RO	RO	RO	RO	RW	RW	RW	RW	RW	RW	RW	RW
ADDR	0x8000.0F50															

Table 23-32. SBIRISR and SBIEOI Fields

BITS	NAME	DESCRIPTION
31:8	///	Reserved Reading returns 0. Write the reset value. Writing this field has no effect on any interrupt status.
7	CLTI	Clock LOW Timeout Interrupt This interrupt occurs when an external peripheral has held the SBI bus clock LOW for longer than 25 ms, indicating an error. To deassert this interrupt and clear SBIRISR:CLTI, write a 1 to SBIEOI:CLTI. 1 = Clock LOW Timeout Interrupt asserted. 0 = Interrupt cleared.
6	STCI	Slave Transfer Complete Interrupt This interrupt is asserted when the SBI, as Slave, has received four bytes of a Modified Write transfer. To deassert this interrupt and clear SBIISR:STCI, write a 1 to SBIEOI:STCI. 1 = Slave Transfer Complete Interrupt asserted. 0 = Interrupt cleared.

Table 23-32. SBIRISR and SBIEOI Fields (Cont'd)

BITS	NAME	DESCRIPTION
5	ALI	<p>Arbitration Lost Interrupt This interrupt indicates that the SBI, as Master, has lost SMBus arbitration. For example, another bus Master is transmitting on the bus, and the LH7A404 SBI is the first to issue a 1. To deassert this interrupt and clear SBIRISR:ALI, write a 1 to SBIEOI:ALI.</p> <p>1 = Arbitration Lost Interrupt asserted. 0 = Interrupt cleared.</p>
4	AFI	<p>Acknowledge Fail Interrupt Assertion of this interrupt indicates that the SBI, as Master, has not received an expected ACK signal from the Slave after a byte transfer. Writing 1 to this register clears the interrupt and resets the SBISR:ACKFAIL bit. This is not automatically reset; software must clear this bit by writing a 1 to this bit before reception of the next byte.</p> <p>Read 1 = Acknowledge Fail Interrupt asserted. 0 = Interrupt cleared.</p> <p>Write 1 = Reset this bit to 0. 0 = No effect.</p>
3	RXI	<p>Receive Interrupt This interrupt occurs when the receive FIFO is half full; that is, contains at least four entries. This interrupt is deasserted, and SBIRISR:RXI cleared, when software has read enough data from SBIDR to leave fewer than four unread entries.</p> <p>1 = Receive Interrupt asserted. 0 = Interrupt cleared.</p>
2	TXI	<p>Transmit Interrupt This interrupt occurs when the Transmit FIFO is half empty; that is, contains no more than four entries. This interrupt is deasserted, and SBIRISR:TXI cleared, when software has written enough data to SBIDR to leave fewer than four empty entries.</p> <p>1 = Transmit Interrupt asserted. 0 = Interrupt cleared.</p> <p>Note that this interrupt is asserted <i>whenever</i> the Transmit FIFO contains four or fewer entries, even if transmission is not occurring. To avoid spurious interrupts, only enable this interrupt during transmission, when the quantity of data to be transferred warrants its use.</p>
1	RTI	<p>Receive Timeout Interrupt Assertion of this interrupt occurs when the Receive FIFO contains data available to be read by software, and no more data has been received for the period specified in SBICR:TOC. This interrupt is deasserted, and SBIRISR:RTI cleared, when software reads SBIDR.</p> <p>1 = Receive Timeout Interrupt asserted. 0 = Interrupt cleared.</p>
0	MTCI	<p>Master Transfer Complete Interrupt Assertion of this interrupt occurs when the SBI, as Master, has completed a data transfer and entered the STOP condition. To deassert this interrupt and clear SBIRISR:MTCI, write a 1 to SBIEOI:MTCI.</p> <p>1 = Master Transfer Complete Interrupt asserted. 0 = Interrupt cleared.</p>

23.2.2.14 BMI Smart Battery Interrupt Status Register (SBIISR)

This register, defined in Table 21-34 and Table 21-35, reports the asserted or deasserted status of enabled SBI interrupts. The values reported in SBIRISR are bit-wise-ANDed with the values programmed in SBIIER, providing the results in SBIISR. The results in SBIISR are ORed together to generate the Battery Monitor Interrupt (BMIINTR), to be handled by the LH7A404 Interrupt Controller.

Table 23-33. SBIISR Register

BIT	31	30	29	28	27	26	25	24	23	22	21	20	19	18	17	16	
FIELD	///																
RESET	0	0	0	0	0	0	0	0	0	0	0	0	0	0	0	0	
TYPE	RO	RO	RO	RO	RO	RO	RO	RO	RO	RO	RO	RO	RO	RO	RO	RO	
BIT	15	14	13	12	11	10	9	8	7	6	5	4	3	2	1	0	
FIELD	///									CLTI	STCI	ALI	AFI	RXI	TXI	RTI	MTCI
RESET	0	0	0	0	0	0	0	0	0	0	0	0	0	0	0	0	
TYPE	RO	RO	RO	RO	RO	RO	RO	RO	RO	RO	RO	RO	RO	RO	RO	RO	
ADDR	0x8000.0F54																

Table 23-34. SBIISR Fields

BITS	NAME	DESCRIPTION
31:8	///	Reserved Reading returns 0. Write the reset value. Writing this field has no effect on any interrupt status.
7	CLTI	Clock LOW Timeout Interrupt This interrupt signals that an external peripheral has held the SBI bus clock LOW for longer than 25 ms, indicating an error. To deassert this interrupt and clear SBIISR:CLTI, write 0b1 to SBIEOI:CLTI. To clear SBIISR:CLTI without deasserting this interrupt, set SBIIER:CLTI. 1 = Clock LOW Timeout Interrupt is enabled and asserted. 0 = Interrupt cleared or not enabled.
6	STCI	Slave Transfer Complete Interrupt This interrupt is asserted when the SBI, as Slave, has received four bytes of a Modified Write transfer. To deassert this interrupt and clear SBIRISR:STCI, write a 1 to SBIEOI:STCI. 1 = Slave Transfer Complete Interrupt is enabled and asserted. 0 = Interrupt cleared or not enabled.
5	ALI	Arbitration Lost Interrupt This interrupt indicates that the SBI, as Master, has lost SMBus arbitration. For example, another bus Master is transmitting on the bus, and the LH7A404 SBI is the first to issue a 1. To deassert this interrupt and clear SBIRISR:ALI, write a 1 to SBIEOI:ALI. 1 = Arbitration Lost Interrupt is enabled and asserted. 0 = Interrupt cleared or not enabled.
4	AFI	Acknowledge Fail Interrupt Assertion of this interrupt indicates that the SBI, as Master, has not received an expected ACK signal from the Slave after a byte transfer. To deassert this interrupt and clear SBIRISR:AFI, write a 1 to SBIEOI:AFI. 1 = Acknowledge Fail Interrupt is enabled and asserted. 0 = Interrupt cleared or not enabled.

Table 23-34. SBISR Fields (Cont'd)

BITS	NAME	DESCRIPTION
3	RXI	<p>Receive Interrupt This interrupt occurs when the receive FIFO is half full; that is, contains at least four entries. This interrupt is deasserted, and SBIRISR:RXI cleared, when software has read enough data from SBIDR to leave fewer than four unread entries.</p> <p>1 = Receive Interrupt is enabled and asserted. 0 = Interrupt cleared or not enabled.</p>
2	TXI	<p>Transmit Interrupt This interrupt occurs when the Transmit FIFO is half empty; that is, contains no more than four entries. This interrupt is deasserted, and SBIRISR:TXI cleared, when software has written enough data to SBIDR to leave fewer than four empty entries.</p> <p>1 = Transmit Interrupt is enabled and asserted. 0 = Interrupt cleared or not enabled.</p> <p>Note that this interrupt is asserted <i>whenever</i> the Transmit FIFO contains four or fewer entries, even if transmission is not occurring. To avoid spurious interrupts, only enable this interrupt during transmission, when the quantity of data to be transferred warrants its use.</p>
1	RTI	<p>Receive Timeout Interrupt Assertion of this interrupt occurs when the Receive FIFO contains data available to be read by software, and no more data has been received for the period specified in SBICR:TOC. This interrupt is deasserted, and SBIRISR:RTI cleared, when software reads SBIDR.</p> <p>1 = Receive Timeout Interrupt is enabled and asserted. 0 = Interrupt cleared or not enabled.</p>
0	MTCI	<p>Master Transfer Complete Interrupt Assertion of this interrupt occurs when the SBI, as Master, has completed a data transfer and entered the STOP condition. To deassert this interrupt and clear SBIRISR:MTCI, write a 1 to SBIEOI:MTCI.</p> <p>1 = Master Transfer Complete Interrupt is enabled and asserted. 0 = Interrupt cleared or not enabled.</p>

23.2.2.15 BMI Smart Battery Interrupt Enable Register (SBIIER)

This register, defined in Table 21-36 and Table 21-37, enables and disables the SBI interrupts.

- Write a 1 to any field to enable the corresponding interrupt.
- Write a 0 to any field to disable the corresponding interrupt.
- Read any field to identify whether the corresponding interrupt is enabled or disabled.

The values reported in SBIRISR are bit-wise-ANDed with the values programmed in SBIIER, providing the results in SBIISR. The results in SBIISR are ORed together to generate BMIINTR, to be handled by the LH7A404 Interrupt Controller.

Table 23-35. SBIIER Register

BIT	31	30	29	28	27	26	25	24	23	22	21	20	19	18	17	16	
FIELD	///																
RESET	0	0	0	0	0	0	0	0	0	0	0	0	0	0	0	0	
TYPE	RO	RO	RO	RO	RO	RO	RO	RO	RO	RO	RO	RO	RO	RO	RO	RO	
BIT	15	14	13	12	11	10	9	8	7	6	5	4	3	2	1	0	
FIELD	///									CLTIE	STCIE	ALE	AFIE	RIE	TIE	RTIE	TCIE
RESET	0	0	0	0	0	0	0	0	0	0	0	0	0	0	0	0	
TYPE	RO	RO	RO	RO	RO	RO	RO	RO	RW	RW	RW	RW	RW	RW	RW	RW	
ADDR	0x8000.0F58																

Table 23-36. SBIIER Fields

BITS	NAME	DESCRIPTION
31:8	///	Reserved Reading returns 0. Write the reset value.
7	CLTIE	Clock LOW Timeout Interrupt Enable 1 = Enables SBIISR:CLTI to be set when CLTI is asserted. 0 = Interrupt disabled. This interrupt status appears in SBIRISR but not in SBIISR and does not contribute to BMIINTR.
6	STCIE	Slave Transfer Complete Interrupt Enable 1 = Enables SBIISR:STCI to be set when STCI is asserted. 0 = Interrupt disabled. This interrupt status appears in SBIRISR but not in SBIISR and does not contribute to BMIINTR.
5	ALIE	Arbitration Lost Interrupt Enable 1 = Enables SBIISR:ALI to be set when ALI is asserted. 0 = Interrupt disabled. This interrupt status appears in SBIRISR but not in SBIISR and does not contribute to BMIINTR.
4	AFIE	Acknowledge Failed Interrupt Enable 1 = Enables SBIISR:AFI to be set when AFI is asserted. 0 = Interrupt disabled. This interrupt status appears in SBIRISR but not in SBIISR and does not contribute to BMIINTR.

Table 23-36. SBIIER Fields

BITS	NAME	DESCRIPTION
3	RIE	Receive Interrupt Enable 1 = Enables SBIISR:RXI to be set when RXI is asserted. 0 = Interrupt disabled. This interrupt status appears in SBIRISR but not in SBIISR and does not contribute to BMIINTR.
2	TIE	Transmit Interrupt Enable 1 = Enables SBIISR:TXI to be set when TXI is asserted. 0 = Interrupt disabled. This interrupt status appears in SBIRISR but not in SBIISR and does not contribute to BMIINTR.
1	RTIE	Receive Timeout Interrupt Enable 1 = Enables SBIISR:RTI to be set when RTI is asserted. 0 = Interrupt disabled. This interrupt status appears in SBIRISR but not in SBIISR and does not contribute to BMIINTR.
0	TCIE	Transmit Complete Interrupt Enable 1 = Enables SBIISR:TCI to be set when TCI is asserted. 0 = Interrupt disabled. This interrupt status appears in SBIRISR but not in SBIISR and does not contribute to BMIINTR.

Chapter 24

Direct Current to Direct Current (DC-DC) Converter Interface

24.1 Theory of Operation

The LH7A404 has two DC-DC Converter interfaces, which, when coupled with a small set of external circuitry, provides two complete DC-DC converters. Each provides pulse-width-modulated (PWM) output with programmable duty cycle, frequency, and polarity. External circuitry completes the conversion, amplification, and filtering process to supply required voltage and current levels. Other applications include audio frequency generation and LCD backlight intensity control.

The DC-DC interface features:

- Dual-drive PWM outputs, with independent closed loop feedback.
- Programmable output frequency selection. Each of eight available frequencies is an integer division of the input clock.
- Programmable duty cycle selection from 0 to 15/16, in intervals of 1/16. Selecting a duty cycle of 0 disables the PWM output.
- Selectable output polarity via hardware input signals during power-on reset. The output polarity specifies positive or negative output signal generation.
- Two selectable frequency and duty cycle configurations using a control input pin.

The DC-DC Converter Interface operation and signals appears in Figure 24-1.

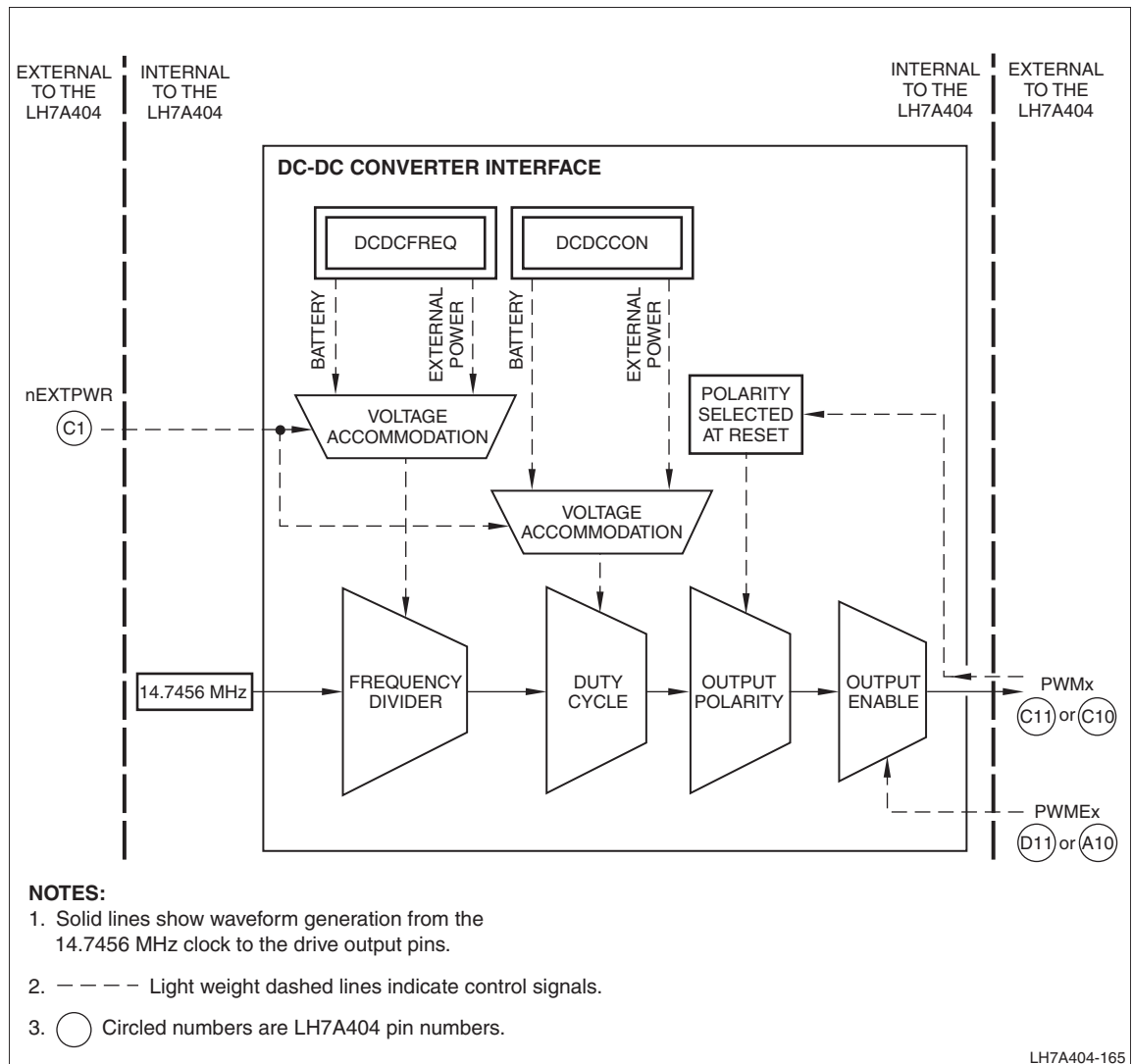


Figure 24-1. DC-DC Converter Interface Functional Diagram

24.1.1 Operation Summary

The two PWMs in the DC-DC interface registers are programmed to provide the required output signals. In addition, external resistors set the polarity, and additional circuitry is necessary to complete a DC-DC converter.

24.1.1.1 Hardware Setup

The polarity (positive or negative) of the output of each PWM is determined at reset by pull-up or pull-down resistors on the output pins (PWM0, pin C11; or PWM1, pin C10), which are kept in a high impedance state during reset. To configure a PWM for positive polarity, a pull-down resistor must be connected to the appropriate PWMx output pin. To configure a PWM for negative polarity, a pull-up resistor must be connected to the PWMx output pin. For proper operation, either a pull-up or pull-down resistor must be connected to output pins. However, if the PWM is not used in the application design, a resistor is not necessary.

The polarity essentially inverts the duty cycle. When positive polarity is selected, the HIGH portion of the output signal is determined by the duty cycle setting (e.g. 20% produces a waveform that is HIGH 20% of the time and LOW 80%). When negative polarity is selected, the LOW portion of the output signal is determined by the duty cycle setting.

The duty cycle control register (DCDCCON) resets to 0x0000, which disables the PWM output signals, leaving the PWMx pins in the high impedance state. As such, static current flow through the external components is minimized until software has programmed the DC-DC converter interface registers.

Each PWM also has an external enable signal, nPWME_x. This signal turns the PWM output on or off, and in the case of a the PWM being used as a DC-DC converter, can be used as a feedback input.

The external power pin (nEXTPWR, pin C1) is internally routed to the PWMs. With this signal, each PWM can be programmed to automatically select different frequency and duty cycle values, depending on whether the application is using battery power or external mains power. Table 24-1 defines the operation. See also the frequency select register (DCDCFREQ) and the duty cycle control register (DCDCCON) for programming details.

Figure 24-2 shows a simplified schematic for a complete DC-DC converter. Included in the schematic are the polarity setting resistors (RP1 and RP0), the enable signals (nPWME_x) connected as feedback inputs, and the external circuitry to complete the DC-DC converter.

Table 24-1. DC-DC Frequency and Duty Cycle Selection

nEXTPWR	POWER	PWMx FREQUENCY	PWMx DUTY CYCLE
LOW	External	DCDCFREQ:PWMxPRELOW	DCDCCON:PWMxDTYLOW
HIGH	Battery	DCDCFREQ:PWMxPREHIGH	DCDCCON:PWMxDTYHIGH

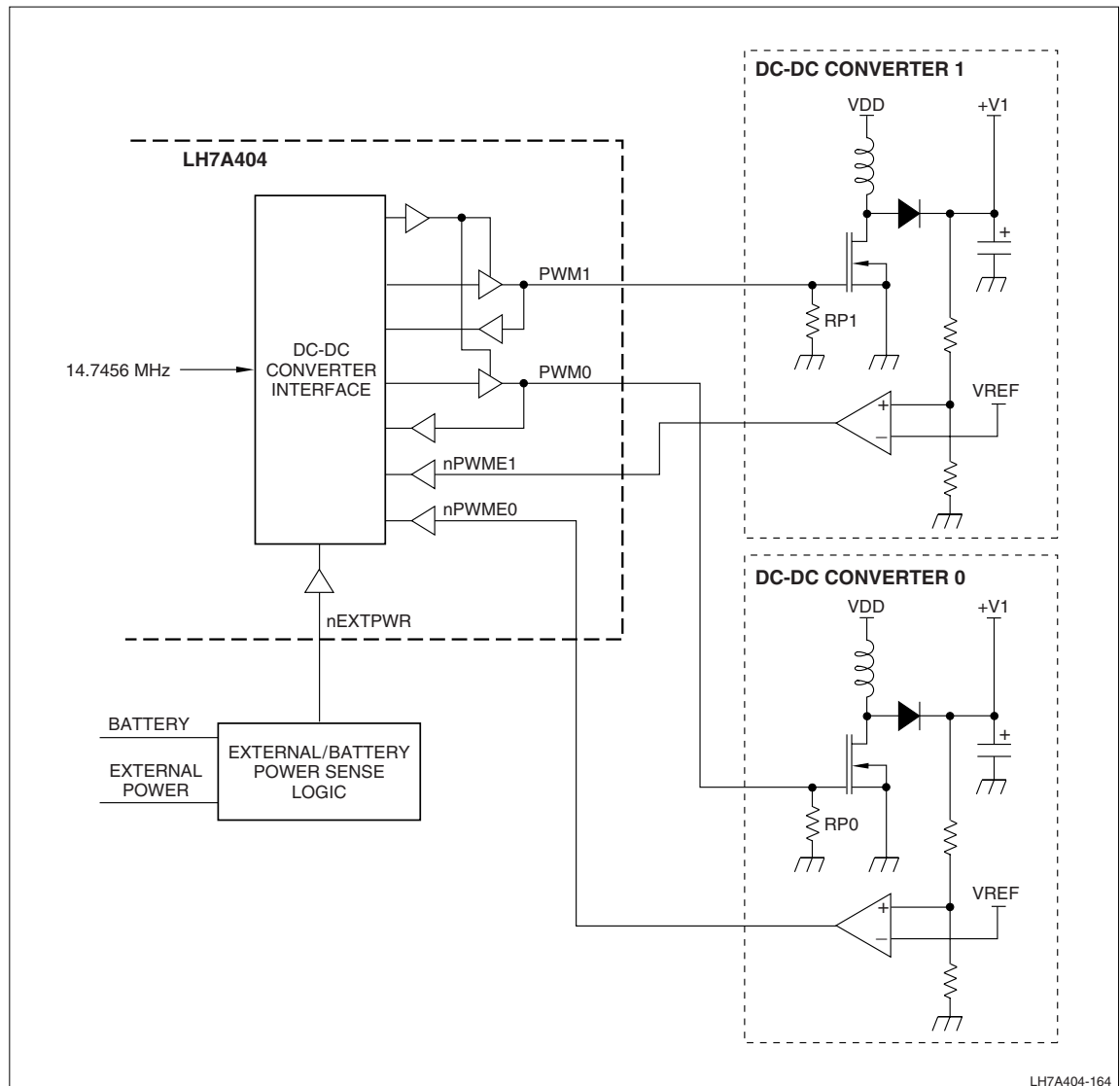


Figure 24-2. Complete DC-DC Converter

24.1.1.2 Programming

The DC-DC converter interface has two registers that control the output signal. The duty cycle is programmed into the duty cycle register (DCDCCON), and the frequency is programmed into the frequency configuration register (DCDCFREQ).

When the reset signal is deasserted, the internal PWMx circuitry becomes active. However, the output at the PWMx pin remains in the high impedance state because DCDCCON resets to 0x0000. This is the case even if the nPWME_x enable signal is asserted.

The DCDCFREQ register resets to 115.2 kHz output frequency for all four fields.

First, program the desired output frequencies into DCDFREQ, then program the duty cycle values into DCDCCON. That way, if the enable pin is already asserted by external hardware, no incorrect frequency signals will appear on the PWMx output pins.

24.2 Register Reference

This section defines the DC-DC Converter Interface registers.

24.2.1 Memory Map

The DC-DC converter interface register offsets shown in Table 24-2 are relative to the DC-DC converter base address, 0x8000.0900.

Table 24-2. DC-DC Converter Interface Memory Map

OFFSET ADDRESS	NAME	DESCRIPTION
0x00	DCDCCON	DC-DC Converter Configuration PWM1 and PWM0 Duty Cycle Configuration register
0x04	///	Reserved Reading this address returns 0. Values written to these locations cannot be read back.
0x08	DCDCFREQ	DC-DC Converter Frequency PWM1 and PWM0 Frequency configuration register
0x0C - 0xFF	///	Reserved Accessing these addresses can cause unpredictable operation.

24.2.2 Register Descriptions

24.2.2.1 DC-DC Duty Cycle Configuration Register (DCDCCON)

This register, shown in Table 24-3 and Table 24-4, specifies the duty cycle for each PWM output for external power or battery powered conditions. Each value in a PWMxDTYy field specifies a duty cycle between 0 to 15/16, as shown in Table 24-5. Clearing a PWMxDTYy field stops the corresponding PWMx waveform generation for the corresponding power source condition.

Table 24-3. DCDCCON Register

BIT	31	30	29	28	27	26	25	24	23	22	21	20	19	18	17	16
FIELD	///															
RESET	0	0	0	0	0	0	0	0	0	0	0	0	0	0	0	0
TYPE	RO	RO	RO	RO	RO	RO	RO	RO	RO	RO	RO	RO	RO	RO	RO	RO
BIT	15	14	13	12	11	10	9	8	7	6	5	4	3	2	1	0
FIELD	PWM1DTYLOW				PWM1DTYHIGH				PWM0DTYLOW				PWM0DTYHIGH			
RESET	0	0	0	0	0	0	0	0	0	0	0	0	0	0	0	0
TYPE	RW	RW	RW	RW	RW	RW	RW	RW	RW	RW	RW	RW	RW	RW	RW	RW
ADDR	0x8000.0900															

Table 24-4. DCDCCON Fields

BITS	NAME	DESCRIPTION
31:16	///	Reserved Reading this field returns 0. Values written to this field cannot be read back.
15:12	PWM1DTYLOW	PWM1 Duty cycle with nEXTPWR LOW Specifies the duty cycle for PWM1 (pin C10) when the LH7A404 is externally powered. See Table 24-5 for values.
11:8	PWM1DTYHIGH	PWM1 Duty cycle with nEXTPWR HIGH Specifies the duty cycle for PWM1 when the LH7A404 is battery powered. See Table 24-5 for values.
7:4	PWM0DTYLOW	PWM0 Duty cycle with nEXTPWR LOW Specifies the duty cycle for PWM0 (pin C11) when the LH7A404 is externally powered. See Table 24-5 for values.
3:0	PWM0DTYHIGH	PWM0 Duty cycle with nEXTPWR HIGH Specifies the duty cycle for PWM0 when the LH7A404 is battery powered. See Table 24-5 for values.

Table 24-5. Duty Cycle Programming

PWMxDTYy[3:0]	DUTY CYCLE
0x0	Output disabled (high-Z)
0x1	1/16
0x2	2/16
0x3	3/16
0x4	4/16
0x5	5/16
0x6	6/16
0x7	7/16
0x8	8/16
0x9	9/16
0xA	10/16
0xB	11/16
0xC	12/16
0xD	13/16
0xE	14/16
0xF	15/16

24.2.2.2 DC-DC Frequency Configuration Register (DCDCFREQ)

This register, shown in Table 24-6 and Table 24-7, specifies the frequency for each PWM output for external power or battery powered conditions. Each field specifies a value for generating an output frequency from 921.6 kHz down to 7.2 kHz, as shown in Table 24-1.

Table 24-6. DCDCFREQ Register

BIT	31	30	29	28	27	26	25	24	23	22	21	20	19	18	17	16	
FIELD	///																
RESET																	
TYPE	RO	RO	RO	RO	RO	RO	RO	RO	RO	RO	RO	RO	RO	RO	RO	RO	
BIT	15	14	13	12	11	10	9	8	7	6	5	4	3	2	1	0	
FIELD	///		PWM1PRELOW		///		PWM1PREHIGH		///			PWM0PRELOW		///		PWM0PREHIGH	
RESET	0	0	1	1	0	0	1	1	0	0	1	1	0	0	1	1	
RW	RO	RW	RW	RW	RO	RW	RW	RW	RO	RW	RW	RW	RO	RW	RW	RW	
ADDR	0x8000.0908																

Table 24-7. DCDCFREQ Fields

BITS	NAME	DESCRIPTION
31:15	///	Reserved Reading returns 0. Values written cannot be read.
14:12	PWM1PRELOW	PWM1 Prescaler with nEXTPWR LOW Specifies the frequency prescale value for PWM1 (pin C10) when the LH7A404 is externally powered. See Table 24-8 for values.
11	///	Reserved Reading returns 0. Values written cannot be read.
10:8	PWM1PREHIGH	PWM1 Prescaler with nEXTPWR HIGH Specifies the frequency prescale value for PWM1 (pin C10) when the LH7A404 is battery powered. See Table 24-8 for values.
7	///	Reserved Reading returns 0. Values written cannot be read.
6:4	PWM0PRELOW	PWM0 Prescaler with nEXTPWR LOW Specifies the frequency prescale value for PWM0 (pin C11) when the LH7A404 is externally powered. See Table 24-8 for values.
3	///	Reserved Reading returns 0. Values written cannot be read.
2:0	PWM0PREHIGH	PWM0 Prescaler with nEXTPWR HIGH Specifies the frequency prescale value for PWM0 (pin C11) when the LH7A404 is battery powered. See Table 24-8 for values.

Table 24-8. Prescale Frequency Selection

DCDCFREQ:PWMxPREy	OUTPUT FREQUENCY
000	921.6 kHz
001	460.8 kHz
010	230.4 kHz
011	115.2 kHz
100	57.6 kHz
101	28.8 kHz
110	14.4 kHz
111	7.2 kHz

Chapter 25

Pulse Width Modulator (PWM)

The LH7A404 contains two Pulse Width Modulator (PWM) blocks, PWM2, and PWM3, that feature:

- Configurable dual output
- Separate input clocks for each PWM output
- 16-bit resolution
- Programmable synchronous mode support
 - Allows external input to start PWM2
- Programmable pulse width (duty cycle), interval (frequency), and polarity
 - Static programming: PWM is stopped
 - Dynamic programming: PWM is running
 - Updates duty cycle, frequency, and polarity at end of a PWM cycle.

25.1 Theory of Operation

Two PWM peripheral blocks are integrated into the LH7A404. These are AMBA slave modules, and connect to the Advanced Peripheral Bus (APB). This design assumes little-endian memory organization. The block diagram appears in Figure 25-1.

Both of the PWM peripherals are programmed via the APB, receive scaled clock inputs from the clock controller and produce outputs at external pins. PWM2 can receive an optional synchronizing input signal from PWMSYNC (pin C9).

Either PWM channel can be utilized to create recurring pulses at the PWMx output pins. Depending upon how a PWM is programmed, its output can vary from a continuous level (100% duty-cycle), to a square wave (50% duty-cycle), to a narrow pulse approaching a 0% duty-cycle, or anything in between. Both PWMs offer 16-bit resolution of the input clock signal.

The outputs of both PWM channels are programmed in terms of PWM input clock cycles. Each PWM may be programmed statically (when it is halted) or dynamically (while it is running). The output of either PWM may be programmed as normal or inverted. With the exception of inversion, if a PWM is programmed statically, no change to the output will occur until the PWM is enabled. If a PWM is reprogrammed while it is running (enabled), the output is updated to the new programming at the beginning of the next PWM cycle. Both PWMs are reset to the halted condition.

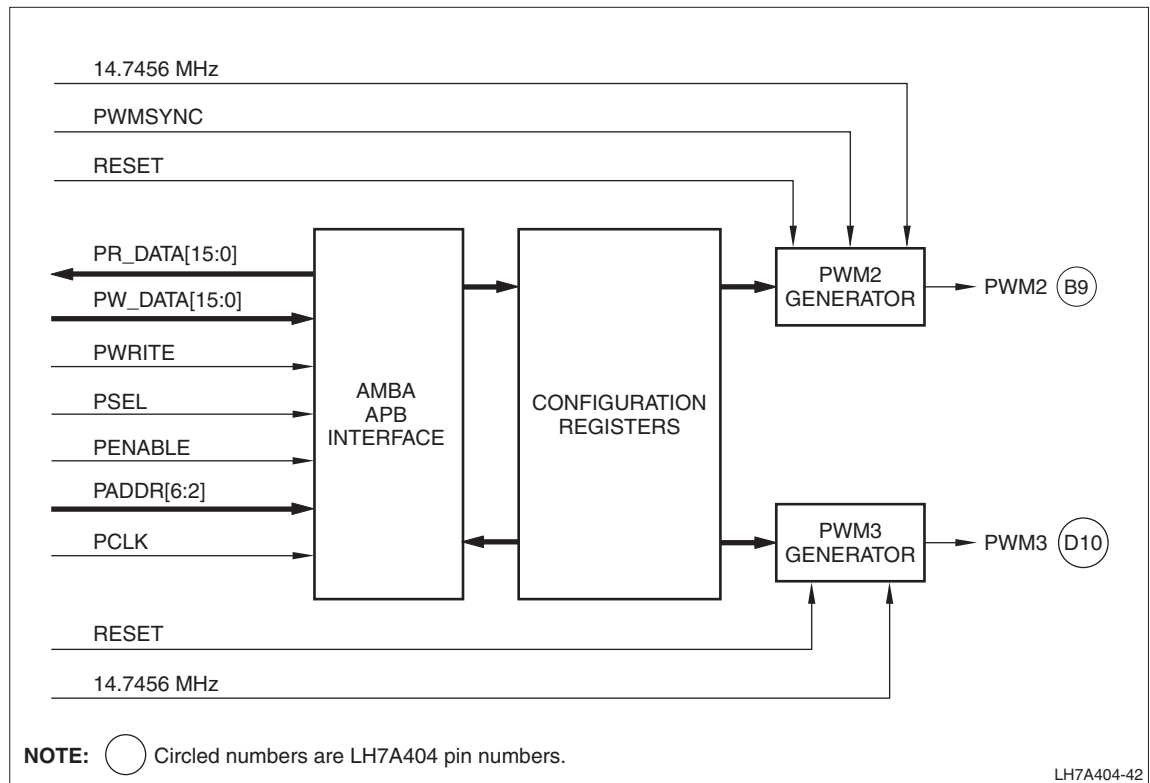


Figure 25-1. Functional Block Diagram

The output of either PWM can be programmed for either normal or inverted operation. Inversion affects the output pin both when the PWM peripheral is halted and when it is running. Both outputs are reset to the normal (non-inverted) configuration, which places the output pins in a LOW condition at reset. When the output is reprogrammed to be inverted (or to be normal), the new programming does not become effective until the rising edge of the PWM input clock signal.

25.1.1 Output Programming

Each PWM is programmed by specifying the output frequency and the output duty cycle. The frequency is programmed by specifying the number of clock cycles per period of the output in the Terminal Count (TC) register. There is one TC register for each PWM. The duty cycle is programmed via the Duty Cycle (DC) register, again with one for each PWM.

The combination of the TC and DC registers defines the output pulse width and frequency. The Invert Output (INV) register allows the programmer to select active HIGH or active LOW output pulses. Important programming rules and programming examples appear at the end of this chapter in Section 25.3.1.

25.2 Register Reference

The PWM programming registers are described in this section. All PWM outputs are LOW during and following reset, and the PWM is halted.

25.2.1 Memory Map

The PWM has a base address of 0x8000.1100. Table 25-1 contains the register names, address offset, and register description for each PWM registers. Detailed register descriptions follow the memory map.

Table 25-1. PWM Register Memory Map

ADDRESS OFFSET	NAME	DESCRIPTION
0x000	TC2	PWM2 Terminal Count Register
0x004	DC2	PWM2 Duty Cycle Register
0x008	EN2	PWM2 Enable Register
0x00C	INV2	PWM2 Invert Register
0x010	SYNC2	PWM2 Synchronous Register
0x020	TC3	PWM3 Terminal Count Register
0x024	DC3	PWM3 Duty Cycle Register
0x028	EN3	PWM3 Enable Register
0x02C	INV3	PWM3 Invert Register
0x030	///	Reserved; do not access.

25.2.2 Register Descriptions

This section describes the bit fields, reset values, and uses of the registers.

25.2.2.1 Terminal Count Registers (TC2 and TC3)

TCx is used to adjust the output frequency of the PWM. TCx gives the PWM up to 16-bit resolution. TCx is double buffered to allow programming it statically (PWM is stopped) or dynamically (PWM is running). Programmed dynamically, TCx is updated at the end of a PWM cycle to prevent any output glitches or errors. Reading the register reflects what was written to it, not the state of the counter. The value for TCx is derived from the equation:

$$TCx = (14.7456/f_{PWM}) - 1$$

TCx works in conjunction with DCx. DCx must be less than or equal to TCx for proper operation. See the programming example in Section 25.3.1 Thus, a TCx value of 0 produces 100% duty cycle (DC) output.

Table 25-2. TC2 and TC3 Registers

BIT	31	30	29	28	27	26	25	24	23	22	21	20	19	18	17	16
FIELD	///															
RESET	0	0	0	0	0	0	0	0	0	0	0	0	0	0	0	0
TYPE	RO	RO	RO	RO	RO	RO	RO	RO	RO	RO	RO	RO	RO	RO	RO	RO
BIT	15	14	13	12	11	10	9	8	7	6	5	4	3	2	1	0
FIELD	TCx															
RESET	0	0	0	0	0	0	0	0	0	0	0	0	0	0	0	0
TYPE	RW	RW	RW	RW	RW	RW	RW	RW	RW	RW	RW	RW	RW	RW	RW	RW
ADDR	0x8000.1100 TC2 0x8000.1120 TC3															

Table 25-3. PWMx_TC Fields

BITS	NAME	DESCRIPTION
31:16	///	Reserved Reads as 0. Write the reset value.
15:0	TCx	Terminal Count This field is the Terminal Count for PWMx.

Table 25-4. TCx Frequency Examples

TCx	f_{PWM}	TCx	f_{PWM}
0x0000	DC	0x0003	14.7456/4
0x0001	14.7456/2	0x0009	14.7456/10
0x0002	14.7456/3	0xFFFF	14.7456/65,536

25.2.2.2 Duty Cycle Register (DC2 and DC3)

DCx is used in conjunction with TCx to adjust the output duty cycle of PWM. DCx is double buffered to allow programming it statically (PWM is stopped) or dynamically (PWM is running). Programmed dynamically, DCx is updated at the end of a PWM cycle to prevent any output glitches or errors. Reading the register reflects what was written to it, not the current state of the counter.

The value for DCx is derived from the equation:

$$DCx = [(Actual\ Duty\ Cycle) \times (TCx + 1)] - 1$$

Where TCx is the Terminal Count value and the Actual Duty Cycle is the decimal representation of the desired duty cycle percentage (e.g. 0.25 for 25%). Note the '- 1' portion of the equation *adds* 1 to the value programmed into DCx. Thus, with TCx = DCx, the actual duty cycle is 1, or 100%. Table 25-7 lists some example DCx duty cycle results. For proper operation, DCx must be equal to or less than TCx. See Section 25.3.1 for programming examples.

Table 25-5. DC2 and DC3 Registers

BIT	31	30	29	28	27	26	25	24	23	22	21	20	19	18	17	16
FIELD	///															
RESET	0	0	0	0	0	0	0	0	0	0	0	0	0	0	0	0
TYPE	RO	RO	RO	RO	RO	RO	RO	RO	RO	RO	RO	RO	RO	RO	RO	RO
BIT	15	14	13	12	11	10	9	8	7	6	5	4	3	2	1	0
FIELD	DCx															
RESET	0	0	0	0	0	0	0	0	0	0	0	0	0	0	0	0
TYPE	RW	RW	RW	RW	RW	RW	RW	RW	RW	RW	RW	RW	RW	RW	RW	RW
ADDR	0x8000.1104 DC2 0x8000.1124 DC3															

Table 25-6. DC2 and DC3 Fields

BITS	NAME	DESCRIPTION
31:16	///	Reserved Reads as 0. Values written cannot be read.
15:0	DCx	Duty Cycle This field is the Duty Cycle Count for PWMx.

Table 25-7. Example Duty Cycle Values

DCOUNT	TCOUNT	ACTUAL DUTY CYCLE
0x0002	0x0003	75%
0x0000	0x0001	50%
0x0001	0x0007	25%
0x0000	0x0009	10%
0x0000	0x0064	1%
0x0000	0xFFFF	0.0015%
TCx	DCx	100%

25.2.2.3 PWM Enable Register (EN2 and EN3)

These registers allow software to turn each PWM on or off. Writing a 0 to either register causes that PWM to stop when it reaches the end of its current cycle. The halted state of the PWM is determined by the INV2 or INV3 register. If INVx is 0, the PWM output when stopped is 0; if INVx is 1, the PWM output when stopped is 1.

Table 25-8. EN2 and EN3 Registers

BIT	31	30	29	28	27	26	25	24	23	22	21	20	19	18	17	16
FIELD	///															
RESET	0	0	0	0	0	0	0	0	0	0	0	0	0	0	0	0
TYPE	RO	RO	RO	RO	RO	RO	RO	RO	RO	RO	RO	RO	RO	RO	RO	RO
BIT	15	14	13	12	11	10	9	8	7	6	5	4	3	2	1	0
FIELD	///															ENABLEx
RESET	0	0	0	0	0	0	0	0	0	0	0	0	0	0	0	0
TYPE	RO	RO	RO	RO	RO	RO	RO	RO	RO	RO	RO	RO	RO	RO	RO	RW
ADDR	0x8000.1108 EN2 0x8000.1128 EN3															

Table 25-9. EN2 and EN3 Fields

BITS	NAME	DESCRIPTION
31:1	///	Reserved Reads as 0. Values written cannot be read.
0	ENABLEx	PWM Enable 1 = PWM Enabled. When in normal mode writing a one will start the PWM. TCx and DCx are updated with their new buffered values. 0 = Disable and Stop PWM. The PWM output value when stopped is determined by the setting of INVx register.

25.2.2.4 Output Invert Registers (INV2 and INV3)

INVx allows software to select the tON (active) state of the PWM as either active HIGH or active LOW. INVx is double buffered to allow software to program it statically (PWM is stopped) or dynamically (PWM is running). Programmed statically, the inversion takes affect after the APB write completes and PWM is running. After the update, the PWM can be turned off. In this way the PWM output can be inverted without enabling the PWM. Programmed dynamically, INVx is updated at the end of a PWM cycle to prevent any output glitches or errors. Figure 25-2 provides an example of the effect of the INVx invert bit.

Table 25-10. INV2 and INV3 Registers

BIT	31	30	29	28	27	26	25	24	23	22	21	20	19	18	17	16
FIELD	///															
RESET	0	0	0	0	0	0	0	0	0	0	0	0	0	0	0	0
TYPE	RO	RO	RO	RO	RO	RO	RO	RO	RO	RO	RO	RO	RO	RO	RO	RO
BIT	15	14	13	12	11	10	9	8	7	6	5	4	3	2	1	0
FIELD	///															
RESET	0	0	0	0	0	0	0	0	0	0	0	0	0	0	0	0
TYPE	RO	RO	RO	RO	RO	RO	RO	RO	RO	RO	RO	RO	RO	RO	RO	RW
ADDR	0x8000.110C INV2 0x8000.112C INV3															

Table 25-11. INV2 and INV3 Fields

BITS	NAME	DESCRIPTION
31:1	///	Reserved Reads as 0. Write the reset value.
0	INVx	Invert PWMx Output 1 = Output is inverted. PWMx will output tOFF first then tON. DCx controls tOFF. 0 = Output is not inverted. PWMx will output tON first then tOFF. DCx controls tON.

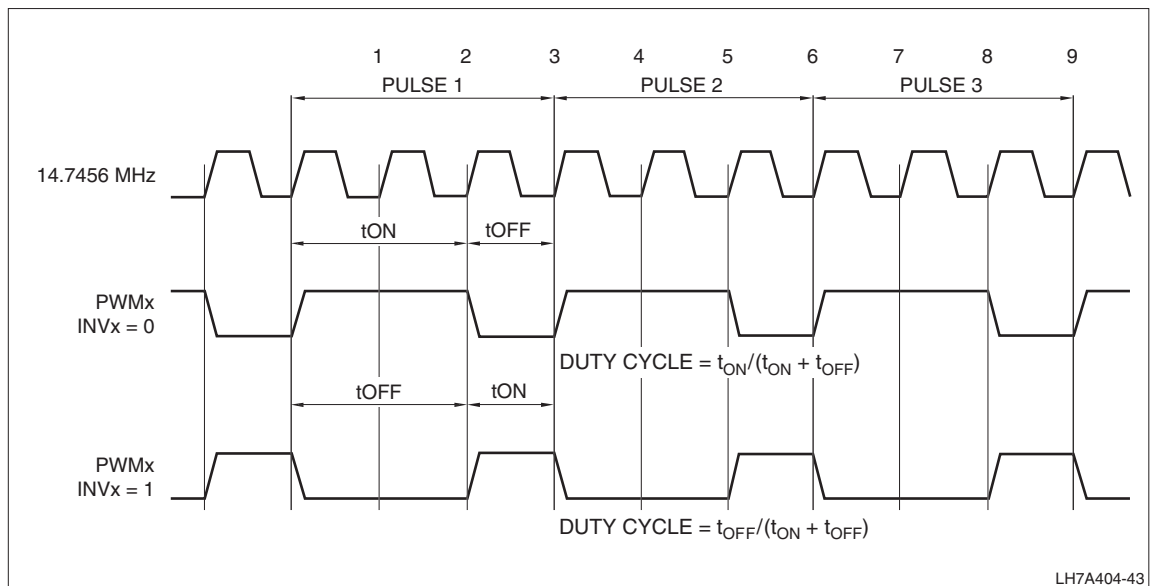


Figure 25-2. INVx Example

25.2.2.5 Synchronous Mode Registers (SYNC2)

The SYNC2 register allows software to select the PWM mode and synchronization source for PWM2. The synchronization signal source is not relevant in Normal mode. Only PWM2 can be set to operate in synchronous mode. Also, note that since SOURCE = 1 has no input, bits [1:0] must only be programmed to 0b01 for Synchronous Mode on PWM2. A value of 0b11 is not valid.

Table 25-12. SYNC2 Register

BIT	31	30	29	28	27	26	25	24	23	22	21	20	19	18	17	16
FIELD	///															
RESET	0	0	0	0	0	0	0	0	0	0	0	0	0	0	0	0
TYPE	RO	RO	RO	RO	RO	RO	RO	RO	RO	RO	RO	RO	RO	RO	RO	RO
BIT	15	14	13	12	11	10	9	8	7	6	5	4	3	2	1	0
FIELD	///														SOURCE	MODE
RESET	0	0	0	0	0	0	0	0	0	0	0	0	0	0	0	0
TYPE	RO	RO	RO	RO	RO	RO	RO	RO	RO	RO	RO	RO	RO	RO	RW	RW
ADDR	0x8000.1110 SYNC2															

Table 25-13. SYNC2 Fields

BITS	NAME	DESCRIPTION
31:2	///	Reserved Reads as 0. Write the reset value.
1	SOURCE	PWM Sync Signal Source PWM Synchronization Signal Source: 1 = No synchronization signal 0 = Synchronization signal from pin C9 (PWMSYNC)
0	MODE	PWM Mode Select PWM Mode Select 1 = PWM is in Synchronous mode 0 = PWM is in Normal mode

25.3 PWM Programming Examples

25.3.1 Static Programming (PWM not running) Example

To produce a PWM output of 100 kHz (10 μ s) and 20% duty cycle with a system clock of 14.7456 MHz (67.8 ns):

1. Calculate $TCx = (14.7456 \text{ MHz} / 0.1 \text{ MHz}) - 1 = 147$ (decimal, rounded).
2. Calculate $DCx = (0.2 \times (147 + 1)) - 1 = 29$ (decimal, rounded).

Table 25-14. Static Programming Steps

STEP	REGISTER	VALUE
1. Stop PWMx	ENx	0x0000
2. Wait for PWMx to finish current cycle		
3. Program TCx value with 147 (decimal)	TCx	0x0093
4. Program DCx value with 29 (decimal)	DCx	0x001D
5. Program PWMx output to non-invert	INVx	0x0000
6. Enable/Start PWMx	ENx	0x0001

25.3.2 Dynamic Programming (PWM Running) Example

Updates take place at the end of the PWMx cycle. The order of programming TCx and DCx is important. See 'Programming Rules' section.

Table 25-15. Dynamic Programming Steps

STEP	REGISTER	VALUE
1. Program TCx value with 147	TCx	0x0093
2. Program DCx value with 29	DCx	0x001D
3. Program PWMx output to non-invert	INVx	0x0000

25.3.3 Programming Rules

Because the user cannot determine the state of the PWM between cycles, care must be taken when programming while the PWM is running. To insure proper operation observe the following rules to preserve the relationship between DCx and TCx:

- If the value of TCx (new) is greater than TCx (current):
Program TCx (new) first then DCx (new)
- If the value of TCx (new) is less than TCx (current):
Program DCx (new) first then TCx (new)

If the above rules are not followed, a duty cycle of 100% may result until both TCx and DCx are updated.

1. Program TCx and DCx with values that meet the specification.
2. When PWM is stopped (ENx = 0), it does not stop immediately but waits for the end of the current PWM cycle and then stops.

Chapter 26

Smart Card Interface (SCI)

26.1 Theory of Operation

The SCI is a block residing on the Advanced Peripheral Bus (APB) providing a communication channel for data transactions between a Smart Card and the LH7A404. This block effectively implements a Smart Card reader. The SCI also meets all criteria contained in the ISO 7816-3 standard. For additional details on the Smart Card Interface, T = 0 and T = 1 protocols, and other SCI operations, consult the ISO 7816-3 document.

The SCI has these features:

- Converts serial data received from the Smart Card to parallel data used by the LH7A404
- Converts parallel data from LH7A404 to serial data transmitted to the Smart Card
- Provides separate transmit and receive data FIFOs, each buffering up to eight single byte characters
- Implements direct interrupts for transmit and receive FIFO level monitoring
- Supports hardware detection of card insertion and removal
- Supports software or hardware control of activation, deactivation, and reset sequences
- Supports asynchronous T = 0 and T = 1 protocols, compliant with ISO 7816-3
- Controls Smart Card VCC

Software can control these functions via the SCI registers:

- SCI Enable and Disable
- Reset, Warm Reset, and Deactivation
- Clock source; clock and I/O multiplexing
- Clock frequency
- The elementary time unit (etu)
- Activation and deactivation durations
- T = 0 or T = 1 protocol
- Communication baud rate
- Character and block guard times
- Time-outs for debounce, receive data reads, receipt of the first Answer-to-Reset (ATR) character, total ATR duration, and initial waiting time between characters in addition to the guard times.
- Data parity and bit order
- Receive and transmit FIFO watermarks
- Receive and transmit retries.

26.1.1 SCI Operation Summary

After reset, the SCI reverts to its default state for each register. See Section 26.2.2 for definition of the reset state of each register.

Prior to any use of the SCI, it must be initialized, including configuring all multiplexed pins. In particular, the Deactivation Time register (DTIME) must be programmed prior to activating any Smart Card. If this is not done, a Smart Card can be damaged if it is removed prematurely.

After all registers have been initially programmed, the SCI can be enabled (see Section 26.1.2). Once enabled, normal communications with Smart Cards via the SCI take place.

26.1.1.1 Card Insertion and Detection

When a Smart Card is inserted, the reader peripheral asserts the SCDETECT signal to notify the LH7A404 that a new card is present. The LH7A404 waits the programmed debounce time (defined in the STABLE register) and if the signal is still valid generates an interrupt. Software services the interrupt and enables the Smart Card in an orderly manner. First, the Smart Card Reset (nSCRESET) is asserted. After a programmed delay, VCC is enabled to the Smart Card by driving SCVCCEN HIGH. After another programmed delay, the clock (SCCLK) is enabled. After a delay to allow the clock to stabilize, nSCRESET is deasserted and the Smart Card is now ready for activation.

26.1.1.2 Activation and Answer-to-Reset (ATR)

Once the initialization sequence completes, software writes a 1 to bit 0 of Control Register 2 (CR2) to begin card activation. This begins the Answer-to-Reset (ATR) sequence from the Smart Card. The ATR sequence contains information about the card requirements for subsequent data transactions. The first character transmitted is the 'TS' character and contains the convention information (direct or inverse format) for all future transactions with this card.

The complete ATR sequence will inform the LH7A404 software about the Smart Card's:

- Clock frequency
- Baud rate
- Guard times
- Protocol type.

This information is retained for all future communications with this particular Smart Card.

26.1.1.3 Transaction Execution

After the ATR sequence, two-way communications between the LH7A404 and the Smart Card can commence. Timing, character length and number, data values, and protocol are all communicated to and from software via SCI registers.

26.1.1.4 Deactivation and Card Removal

After all necessary communications complete, the card can be deactivated and removed. This is an orderly process to avoid damaging the Smart Card. Deactivation takes precedence over all other operations.

Deactivation begins by software writing a 1 to bit 1 of CR2 or by detection of a HIGH on the SCDETECT pin when a card is activated. Upon deactivation initiation the nSCRESET signal is asserted. After a programmed delay, the SCCKL pin is driven LOW. Following another programmed delay, the SCVCCEN pin is driven LOW, causing power to be removed from the Smart Card. After this sequence, the Card Down Interrupt is asserted, and the Smart Card may be safely removed.

26.1.1.5 Warm Reset

If an error is detected, the software can execute a Warm Reset that resets the Smart Card and re-executes the ATR sequence. Software initiates a warm reset by writing a 1 to CR2, bit 2 (CR2:WRESET).

The following sections describe SCI operation in detail.

26.1.2 Enabling the SCI and Card Signals

Before the SCI can be used, it must be enabled, using this procedure:

1. To gate the reference clock on, program the CONTROL register Enable bit (CONTROL:EN) to 1. When EN = 1, the PCLK clock source is available to the SCI and the registers become programmable. The enable bit must be programmed to 1 prior to step 2. GPIO pins are active until the Enable bit is set, which can cause unpredictable results.
2. To detect when a card is present, program the Multiplexing Card Detection bit (CONTROL:MUX_Detect) to 1. Unless this bit is 1, pin D8 operates as GPIO Port F5 and is unavailable to the SCI.

26.1.3 Clocking and Timing SCI Operations

The SCI Reference clock, SCIREFCLK, is based on HCLK, the internal system clock. This reference clock is the basis for the elementary time unit (etu) and the free-running SCI clock signal (SCCLK, pin A11).

To specify SCIREFCLK, select the divisor for HCLK. To use HCLK/2 as SCIREFCLK, program the CONTROL register pre-divisor bit (CONTROL:PREDIV) to 1. To use HCLK without division, program this bit to 0. In general, $SCIREFCLK = HCLK / (PREDIV + 1)$.

26.1.3.1 Supplying the Smart Card Clock Signal

The SCCLK signal provides the Smart Card Clock (SCCLK) and is the timing basis for the activation and deactivation sequences. This signal can be either a free running clock based on SCIREFCLK or a pulse generated via the Synchronous Data register Write clock field (SYNCDATA:WCLK):

- For non-ISO 7816-3 compliant Smart Cards, use the Write Clock (WCLK). Program the Asynchronous/Synchronous Clock Multiplexing register Select Clock bit (SYNCCR:SELCLK) to 1. Alternately programming this bit to 1 and 0 generates WCLK pulses on the SCCLK pin. The data must be output on an available GPIO pin, as the SCIO pin (E12) does not function correctly for non-ISO7816-3 compliant cards.
- For ISO 7816-3 compliant Smart Cards, use SCIREFCLK. Program SELCLK to 0 and program SYNCDATA:WCLKEN to 1. Specify the Smart Card Clock Frequency (f) by programming the least significant byte of the Clock Frequency register (CLKDIV) with a value between 0x0 and 0xFF.

$$f = \text{SCIREFCLK} \div ((\text{CLKDIV} + 1) \times 2).$$

This CLKDIV programming must be done before programming the Control Register 2 STARTUP bit (CR2:STARTUP) to 1, starting card activation. To drive SCCLK LOW, program WCLKEN to 0.

To monitor the raw SCCLK signal, read the Raw Status register Raw Clock bit (RAWSTAT:RCLK).

The SCICLK must always be operated in the open drain mode by programming CR1:CLKZ1 to 1. SCICLK cannot be used as a buffered output. Maximum SCI clock speed is 5 MHz.

26.1.3.2 Specifying the etu

The etu is the timing basis for the Answer-to-Reset (ATR) duration and data guard times. The pulse width of an etu is one SCIREFCLK. To specify an etu:

- Program the least significant halfword of the SCI Baud Rate register (BAUD) with a number between 0x1 and 0xFFFF
- Program the least-significant halfword of the SCI etu Baud Cycles register (CYCLES) with a number between 0x5 and 0xFFFF
- The relationship between BAUD and CYCLES is such that:
1 etu = $((\text{BAUD} + 1) \times \text{CYCLES}) \div \text{SCIREFCLK}$.

26.1.4 Detecting, Activating, and Deactivating a Card

Detection of a card is done by hardware. The activation sequence must be managed by software. Deactivation can be done by either hardware or software.

26.1.4.1 Detecting the Card

The SCDETECT signal indicates that a Smart Card is present. This signal is multiplexed with the GPIO Port F5 signal. To use this pin for SCI operation, program CONTROL:MUX_Detect to 1. Ensure that CONTROL:EN has been programmed to 1 before programming CONTROL:MUX_Detect.

Card detection involves three steps:

1. A card is inserted, driving the SCDETECT terminal input HIGH.
2. The SCI waits for a programmed debounce time to avoid a false card detection. This debounce time is how long the SCDETECT signal must hold a stable HIGH value before the SCI registers the card insertion.
3. When card detection is confirmed, the Interrupt Identification register Card Inserted Interrupt bit (IIR:CARDININTR) and the Direct Status register Card Present bits (DSTAT:CARDPRESENT) are read as 1.

The debounce time is programmable in terms of SCIREFCLK cycles. To configure the debounce time, program the CR1 Exit Debounce bit (CR1:EXDBNCE) and the LSB of the minimum Stable Time register (STABLE), do the following:

- For no debounce time, program EXDBNCE to 1 and program STABLE 0x00.
- For the minimum nonzero debounce time of 0xFFFF SCIREFCLK cycles, program both EXDBNCE and STABLE to 0.
- For additional multiples of 0xFFFF SCIREFCLK cycles, program EXDBNCE to 0 and program the number of additional multiples into STABLE, up to 0xFF, such that:
Debounce time in SCIREFCLK cycles = (STABLE + 1) x 0xFFFF.

26.1.4.2 Activating the Card

When a card has been detected, before the activation sequence ends, configure the SCIO signal (pin E12) as input to the SCI by programming the CR1 register communication direction MODE bit (CR1:MODE) to 0.

If the card is ISO 7816-3 compliant, start activation in this sequence:

1. Configure the SCI for ATR reception.
2. Write the least significant halfword of the SCI Activation Time register (ATIME) to specify the activation event duration. Specify this duration with enough time for the interface power to stabilize, including the minimum required 40,000 SCICLK cycles.
3. Start the activation sequence by programming the CR2:STARTUP bit to 1. Because the activation sequence results appear in DSTAT, do not write DSTAT when activating a card via STARTUP.

The duration programmed into ATIME is one third of the total STARTUP activation time:

1. The first third of the activation sequence enables power to the card and places the data lines at high impedance. The power activation result appears in the DSTAT register POWER field. The data line activation results appear in the DSTAT register off-chip buffer Data Enable (nDATAEN), Data Output Enable (nDATAOUTEN), and Data Enable (DATAEN) bits. If the Card Down Interrupt (IIR: CARDDNINTR) was asserted prior to activation, the activation sequence clears this interrupt.
2. The second third of the sequence enables the card clock. If CR1:CLKZ1 is set, the clock signal appears in the DSTAT register Clock Output bit (DSTAT:CLKOUT); otherwise, the clock signal appears in the Clock Output Buffer Enable bit (DSTAT:nCLKOUTEN).
3. The remainder of the sequence sets the Card Powered-Up Interrupt (IR:CARDUPINTR) and prepares for ATR reception.

For a non-ISO 7816-3 compliant Smart Card, instead of setting STARTUP:

- Perform the full activation sequence by individually writing the DSTAT register Data Enable (DATAEN), Clock Enable (CLKEN), Card Reset (CRESET), and Card VCC Power Supply (POWER) bits. Do not write to these bits when using STARTUP. The results appear in the remaining DSTAT fields.
- If CARDDNINTR was asserted prior to activation, write 1 to the corresponding bit of the Interrupt Clear Register (ICR:CARDDNINTR) to clear the interrupt.

26.1.4.3 Deactivating the Card

Before card deactivation occurs, program the least-significant halfword of the Deactivation Time register (DTIME) to specify the deactivation event duration. This register value is one third of the deactivation sequence time, in SCICLK cycles.

Card deactivation can be started by either:

- Software sets the CR2:FINISH field. A valid card must be detected before FINISH can be written.
- Hardware detects card removal when the SCDETECT signal goes LOW.

The deactivation sequence results appear in the DSTAT and IIR registers:

1. The first third of the sequence, as clocked by DTIME, drives the Smart Card Clock LOW. The DSTAT register nCLKOUTEN, nCLKOUT, and nCLKEN fields are read as 0.
2. The second third of the sequence drives the data lines LOW, clearing the DSTAT register nDATAOUTEN and nDATAEN fields.
3. The remainder of the sequence deasserts DSTAT:CARDPRESENT. In IIR, the Card Out Interrupt (CARDOUTINTR) and Card Down Interrupt (CARDDNINTR) interrupts are set to 1, and the Card Inserted Interrupt (CARDININTR) is 0.

26.1.5 Handling Answer-to-Reset (ATR)

The card sends an ATR at the following times:

- After activation started via STARTUP is finished.
- In response to a warm reset. Software initiates a warm reset by setting the CR2 Warm RESET bit (CR2:WRESET) after activation is finished.

Before the ATR sequence begins:

- Specify the appropriate time-out limits.
- Clear the protocol register, Control Register 0 (CR0).
- Program the Watermark register Receive Watermark bit (WMARK:RXWMARK) and the Receive Read Time-Out register (RXTIME) with appropriate values. RXTIME must be programmed with a value greater than 1 before reception begins. (For more information on RXTIME and WMARK, see Section 26.1.6.)

The time-out limits operate in this manner:

- Assertion of the Card powered-Up Interrupt (IIR:CARDUPINTR) signals the start of the ATR receive countdown. If this countdown reaches 0 before a valid ATR start bit is received, the ATR Start Time-Out Interrupt (IIR:STOUTINTR) is asserted. Program the starting value, in SCCLK cycles, of this countdown in the least significant halfword of the ATR Start Time register (ATRSTIME). A valid start bit is a LOW on the data line for at least 1/2 etu.
- Reception of a valid start bit starts the ATR duration countdown. If this countdown reaches 0 before the end of the ATR block is received, the ATR Duration Time-Out Interrupt (IIR:ATRDOUTINTR) is asserted. Program the duration value, in etus, of this countdown in the least significant halfword of the ATR Duration Time register (ATRDTIME). After ATR reception ends, disable this duration countdown by clearing the Control Register 1 ATR Duration Enable bit (CR1:ATRDEN).

Clear CR0 with this procedure:

- Specify even transmit parity by programming the Transmit Parity bit (CR0:TXPARITY) to 0.
- Specify even receive parity by programming the Receive Parity bit (CR0:RXPARITY) to 0.
- Enable receive parity checking by programming the Receive Negative Error Acknowledge bit (RXNAK) to 0.
- Disable checking for a transmit parity error by programming the Transmit Negative Error Acknowledge field (TXNAK) to 0.
- Specify the direct convention for data bit order by programming the Order bit to 0. In this convention, the Least Significant Bit (LSb) is the first bit following the start bit.
- Specify the direct convention for data and parity bit logic levels by programming the Sense bit to 0. In this convention, a LOW signal is interpreted as a logical 0.

The SCI performs no automatic interpretation of the ATR characters. After the TS byte is received, and before the card sends the T = 0 byte, program the Order and Sense bits based on the TS character.

When the ATR protocol information is available, program the CR0 parity and handshaking fields (RXNAK, RXPARTY, TXNAK, and TXPARTY) and the least significant halfword of the Character Time-Out register (CHTIME). These registers specify the protocol parameters used for the remainder of the ATR and subsequent data. During ATR reception:

- Parity errors are recorded in the Data register (DATA) with the erroneous data, but no character retry is performed.
- Excessive time between characters causes a Character Time-Out Interrupt (IIR:CHTOUTINTER). The time allowed between the leading edge of two consecutive characters is CHTIME + 12 for T = 0 protocol and CHTIME + 11 for T = 1 protocol.

After ATR reception ends:

- For the data character extra guard time, program the Character Guard Time register (CHGUARD), in etus, from the TC1 character received in the ATR. This extra guard time is added to the minimum duration between leading edges of the start bits of two consecutive characters.
- For the block guard time, program the Block Guard Time register (BLKGUARD), in etus, based on the protocol specified in TS. Because the SCI uses a minimum block guard time of 12 etus for T = 0 and 11 etus for T = 1, adjust the BLKGUARD values accordingly. For the minimum T = 0 block guard time of 16 etus, program BLKGUARD with 4 etus. For the minimum T = 1 block guard time of 22 etus, program BLKGUARD with 11 etus.

26.1.6 Receiving and Transmitting Data

The SCIO signal (pin E12) carries the receive and transmit data. This signal can be driven by either the SCI FIFOs or the Synchronous Data register Write Data bit (SYNCDATA:WDATA).

- For non-ISO 7816-3 compliant cards, use the Write Data bit (SYNCDATA:WDATA) to transmit data. Program the Synchronous Card Register Select Data source bit (SYNCCR:SELDATA) to 1. Alternately programming WDATA to 1 and 0 drives SCIO HIGH and LOW, respectively.
- For ISO 7816-3 compliant cards, program the Select Data source bit (SYNCCR:SELDATA) to 0 and program the Write Data Enable bit (SYNCDATA:WDATAEN) to 1. Programming the SELDATA bit to 0 uses the SCI FIFO for transmit data. To drive the data line LOW, program WDATAEN to 0.

The Least Significant Byte (LSB) of the DATA register (DATA:DATA) provides software access to the transmit and receive FIFOs. The CR1:MODE field selects the data direction in DATA as transmit or receive. To receive data, program MODE to 0 and read DATA. To transmit data, program MODE to 1 and write DATA. Each FIFO holds eight bytes of single-byte character data.

The transmit FIFO holds data to be sent to the card. To monitor the transmit FIFO contents:

- When the amount of data in the transmit FIFO falls below a specified number of characters, the Transmit Watermark Interrupt (IIR:TXWMARKINTR) is asserted. To specify this mark, program the Watermark register Transmit Watermark Mark field (WMARK:TXWMARK). To prevent generation of TXWMARKINTR, program TXWMARK to 0. The TXWMARKINTR can occur during reception or transmission; that is, regardless of the MODE value.
- When the transmit FIFO is full, the FIFO Register Transmit FIFO Full bit (FR:TXFF) is read as 1. When the transmit FIFO is empty, the FIFO Register Transmit FIFO Empty bit (FR:TXFE) is read as 1.
- To identify the amount of data in the transmit FIFO, read the Transmit Count register Transmit Count field (TXCOUNT:TXCOUNT).
- A character remains in the transmit FIFO until successfully transmitted or flushed. Writing any value to TXCOUNT flushes the transmit FIFO.

The receive FIFO holds data received from the card. To monitor the receive FIFO contents:

- When the amount of data in the receive FIFO rises above a specified number of characters, the Receive Watermark Interrupt (IR:RXWMARKINTR) is asserted. To specify this mark, program the WMARK register RXWMARK field. To prevent generation of RXWMARKINTR, program RXWMARK with a value equal to or greater than 0x8. To generate RXWMARKINTR for each character received, program RXWMARK to 0. The RXWMARKINTR interrupt can occur only during reception; that is, when MODE is programmed to 0.
- When the receive FIFO is full, the FIFO Register Receive FIFO Full bit (FR:RXFF) is read as 1. When the receive FIFO is empty, the FIFO Register Receive FIFO Empty bit (FR:RXFE) is read as 1.
- To identify the amount of data in the receive FIFO, read the Receive Count register Receive COUNT field (RXCOUNT:RXCOUNT).
- Writing any value to RXCOUNT flushes the transmit FIFO.

Programming TXWMARK or RXWMARK with a value to prevent interrupt generation is different from disabling TXWMARKINTR or RXWMARKINTR:

- When an interrupt is disabled in the Interrupt Enable Register (IER), the corresponding interrupt appears in the Interrupt Identification Register (IIR) but generates no IRQ interrupt for the LH7A404 interrupt controller.
- When TXWMARK or RXWMARK is programmed to prevent interrupt generation, no corresponding interrupt appears in IIR.

When the receive FIFO contains at least one character, and no characters have been read for a specified time, the Receive Time-Out Interrupt (IIR:RTOUTINTR) is asserted. To specify this time in SCICLK cycles, program the least significant halfword of the Receive Time-Out register (RXTIME). A Receive Watermark (RXWMARK) between 0x1 and 0x7 generates an RXWMARKINTR interrupt for every RXWMARK number of characters received. For any message block containing other than an exact multiple of RXWMARK characters, the trailing characters generate no interrupt. To ensure all characters are read from the receive FIFO, program RXTIME to accommodate the number of etus needed to receive RXWMARK characters, plus additional time to allow for interrupt latency. When the characters received are too few to assert RXWMARKINTR, and are not read, RTOUTINTR is asserted.

The receive FIFO also provides a Parity Error bit with each character (DATA:PARITY). Handshaking based on parity checking is enabled and disabled by the CR0:RXNAK and TXNAK bits. Program these bits based on the protocol selected in CR0 (T = 0 or T = 1). When parity check handshaking is in effect:

- Setting TXNAK specifies the T = 0 protocol. When a character is incorrectly received by the card, the SCI retransmits the character up to the number of times specified in the RETRY register Transmit Retry field (RETRY:TXRETRY). If the card never receives the character correctly within the specified number of retries, the Transmission Error Interrupt (IIR:TXERRINTR) is asserted. Before the next character can be transmitted, the error condition must be cleared by flushing the transmit FIFO.
- With RXNAK set, when a character is incorrectly received, the SCI requests retransmission from the card up to the number of times specified in the Receive Retry field (RETRY:RXRETRY). If the SCI never receives the character correctly within the specified number of retries, the parity flag is set for the character (DATA:PARITY).

The character-to-character time-out, programmed into CHTIME during the ATR, also applies to data reception. Excessive time between the leading edge of two consecutive characters causes CHTOUTINTER.

For transmission, the Character Guard Time register (CHGUARD) specifies the time, in etus, to be inserted between the leading edges of two consecutive characters sent from the SCI to the card. This value depends on the protocol and is derived from the ATR TC1 character.

When switching from transmission to reception, the SCI sends a character to the card giving the card permission to send. After sending this character, the SCI starts a time-out counter using the value in the least significant halfword of the Block Time-Out register (BLKTIME). If none of the following occurs before the time-out, the BLKTOUTINTR is asserted, indicating the expected reception has timed-out:

- The SCI receives the start bit of the expected character from the card.
- The CR1:MODE bit reads as 1, indicating the SCI is transmitting.
- The CR1:BLKEN bit reads as 1, disabling the time-out.

When switching from reception to transmission, the SCI observes two protocol-dependent timing requirements:

- A minimum time, in etus, between the leading edge of the last start bit received from the card and the leading edge of the first start bit transmitted by the SCI. For T = 0, this time is 12 etus. For T = 1, this time is 11 etus.
- An additional time, in etus, specified in the Block Guard time register (BLKGUARD). For T = 0, BLKGUARD must be greater than or equal to 4. For T = 1, BLKGUARD must be greater than or equal to 11. For no additional time, program the CR1 register Block Guard Time Enable bit (CR1:BGTEN) to 0.

The transmitted data appears in the DSTAT register Data Output Enable bit (DSTAT:nDATAOUTEN), after any inversion specified by CR0:SENSE. When a character has been fully transmitted, including the parity bit, the DSTAT register Data Enable bit (DSTAT:nDATAEN) is read as 1 until a retry request is received or the next start bit is to be sent.

26.1.7 SCI In Standby Mode

The SCI must be disabled prior to the LH7A404 entering Standby mode. Failure to do so may result in spurious interrupts or unpredictable operation. Therefore, the SCI must be disabled prior to entering Standby, and the re-enabled upon exiting Standby.

26.1.8 Boundary Scan Mode

The Smart Card I/O pin is always tristated when the LH7A404 is in JTAG mode. Therefore, the pin cannot be tested in boundary scan mode, and cannot be used for connectivity testing on a board.

26.2 Register Reference

This section describes the SCI registers.

26.2.1 Memory Map

The SCI registers are shown in Table 26-1 offset from the base address, 0x8000.0300.

Table 26-1. Smart Card Interface Memory Map

ADDRESS OFFSET	NAME	DESCRIPTION
0x00	DATA	Transmit and Receive Data Read data from the receive FIFO; write data to the transmit FIFO.
0x04	CR0	Control Register 0 Protocol control
0x08	CR1	Control Register 1 Interface control
0x0C	CR2	Control Register 2 Activation, Deactivation, and Warm Reset control
0x10	IER	Interrupt Enable Register Enable IRQ interrupt generation
0x14	RETRY	Retry Transmit and receive retry limits
0x18	WMARK	Watermark Transmit and receive FIFO watermarks
0x1C	TXCOUNT	Transmit Count Read amount of data in transmit FIFO; write to flush transmit FIFO
0x20	RXCOUNT	Receive Count Read amount of data in receive FIFO; write to flush receive FIFO
0x24	FR	FIFO Register FIFO status
0x28	RXTIME	Receive Time-Out Register Receive FIFO read time-out limit
0x2C	DSTAT	Direct Status Register Smart Card status, providing direct access to Smart Card signals for non-compliant configurations.
0x30	STABLE	Stable Time Register Debounce time
0x34	ATIME	Activation Time Register Minimum duration for activation
0x38	DTIME	Deactivation Time Register Minimum duration for deactivation
0x3C	ATRSTIME	Answer-to-Reset Start Time-Out Register Reset-to-start of ATR time-out limit
0x40	ATRDTIME	Answer-to-Reset Duration Time-Out Register ATR duration time-out limit
0x44	BLKTIME	Block Time-Out Register Receive time-out limit between blocks
0x48	CHTIME	Character Time-Out Register Character-to-character time-out limit
0x4C	CLKDIV	Clock Frequency Register Smart Card Clock frequency
0x50	BAUD	Baud Register Baud rate
0x54	CYCLES	Baud Cycles Register Baud cycle
0x58	CHGUARD	Character Guard Register Character-to-character extra guard time
0x5C	BLKGUARD	Block Guard Register Block guard time
0x60	SYNCCR	Synchronous Control Register Software vs. hardware control for the Smart Card clock and I/O lines
0x64	SYNCDATA	Synchronous Data Register Values for software control of the Smart Card clock and I/O lines
0x68	RAWSTAT	Raw Status Register Raw I/O and clock status
0x6C	IIR	Interrupt Identification Register Read this register to identify interrupt sources
	ICR	Interrupt Clear Register Write to this register to clear interrupts.
0x70	CONTROL	Control Register Pin multiplexing, reference clock scaling, and power
0x74 - 0xFC	///	Reserved

26.2.2 Register Descriptions

26.2.2.1 Data Register (DATA)

This register, defined in Table 26-2 and Table 26-3, provides access to the transmit and receive FIFOs.

Table 26-2. DATA Register

BIT	31	30	29	28	27	26	25	24	23	22	21	20	19	18	17	16	
FIELD	///																
RESET	0	0	0	0	0	0	0	0	0	0	0	0	0	0	0	0	
TYPE	RO	RO	RO	RO	RO	RO	RO	RO	RO	RO	RO	RO	RO	RO	RO	RO	
BIT	15	14	13	12	11	10	9	8	7	6	5	4	3	2	1	0	
FIELD	///							PARITY	DATA								
RESET	0	0	0	0	0	0	0	0	0	0	0	0	0	0	0	0	
TYPE	RO	RO	RO	RO	RO	RO	RO	RW	RW	RW	RW	RW	RW	RW	RW	RW	
ADDR	0x8000.0300																

Table 26-3. DATA Fields

BITS	NAME	DESCRIPTION
31:9	///	Reserved Reading returns 0. Values written cannot be read.
8	PARITY	Parity Error 1 = Parity error in DATA field 0 = Valid data
7:0	DATA	Transmit or receive DATA To write a character to the transmit FIFO, program CR1:MODE to 1 and write the character to this field. To read a character from the receive FIFO, program CR1:MODE to 0 and read the character from this field.

26.2.2.2 Control 0 Register (CR0)

This register, defined in Table 26-4 and Table 26-5, configures the protocol parameters.

Table 26-4. CR0 Register

BIT	31	30	29	28	27	26	25	24	23	22	21	20	19	18	17	16	
FIELD	///																
RESET	0	0	0	0	0	0	0	0	0	0	0	0	0	0	0	0	
TYPE	RO	RO	RO	RO	RO	RO	RO	RO	RO	RO	RO	RO	RO	RO	RO	RO	
BIT	15	14	13	12	11	10	9	8	7	6	5	4	3	2	1	0	
FIELD	///											RXNAK	RXPARTY	TXNAK	TXPARTY	ORDER	SENSE
RESET	0	0	0	0	0	0	0	0	0	0	0	0	0	0	0	0	
TYPE	RO	RO	RO	RO	RO	RO	RO	RO	RO	RO	RW	RW	RW	RW	RW	RW	
ADDR	0x8000.0304																

Table 26-5. CR0 Fields

BITS	NAME	DESCRIPTION
31:6	///	Reserved Reading returns 0. Values written cannot be read.
5	RXNAK	Receive Negative Error Acknowledge 1 = T = 0 protocol 0 = T = 1 protocol. The SCI pulls the I/O line LOW after detecting a parity error.
4	RXPARTY	Receive Parity Selects the receive parity. 1 = Odd parity 0 = Even parity
3	TXNAK	Transmit Negative Error Acknowledge 1 = T = 0 protocol. The SCI checks the I/O line level for a parity error after each character transmission. 0 = T = 1 protocol
2	TXPARTY	Transmit Parity Selects the transmit parity. 1 = Odd parity 0 = Even parity
1	ORDER	Data Bit Order Selects the transmit and receive data endianness: 1 = Specifies the inverse convention. The MSB is the first bit after the start bit. 0 = Specifies the direct convention. The LSB is the first bit after the start bit.
0	SENSE	Data and Parity HIGH and LOW Sense Specifies the active level for data and parity bits: 1 = Specifies inverse convention. A 0 data or parity value appears as HIGH on SCIO. 0 = Specifies direct convention.

26.2.2.3 Control 1 Register (CR1)

This register, defined in Table 26-6 and Table 26-7, configures the interface.

Table 26-6. CR1 Register

BIT	31	30	29	28	27	26	25	24	23	22	21	20	19	18	17	16	
FIELD	///																
RESET	0	0	0	0	0	0	0	0	0	0	0	0	0	0	0	0	
TYPE	RO	RO	RO	RO	RO	RO	RO	RO	RO	RO	RO	RO	RO	RO	RO	RO	
BIT	15	14	13	12	11	10	9	8	7	6	5	4	3	2	1	0	
FIELD	///											EXDBNCE	BGTEN	CLKZ1	MODE	BLKEN	ATRDEN
RESET	0	0	0	0	0	0	0	0	0	0	0	0	0	0	0	0	
TYPE	RO	RO	RO	RO	RO	RO	RO	RO	RO	RO	RW	RW	RW	RW	RW	RW	
ADDR	0x8000.0308																

Table 26-7. CR1 Fields

BITS	NAME	DESCRIPTION
31:6	///	Reserved Reading returns 0. Values written cannot be read.
5	EXDBNCE	Enable Bypass for Debounce Specifies whether to use the non-programmable part of the internal debounce timer. 1 = Bypass the non-programmable section of the internal debounce timer. For a zero debounce time, program EXDBNCE to 1 and STABLE to 0. 0 = Use both the non programmable and programmable parts of the debounce timer. The debounce time = (STABLE + 1) × 0xFFFF.
4	BGTEN	Block Guard Timer Enable 1 = Starts the block guard timer. 0 = Stops the block guard timer.
3	CLKZ1	Clock Z1 Configuration Configures the SCICLK output pad: 1 = This bit must be programmed to 1 to configure the SCICLK as open drain. Use this configuration with an external pull-up resistor. 0 = Do not program this bit to 0.
2	MODE	Receive or Transmit Mode Selects the SCIO signal directions: 1 = Transmit (from SCI to Smart Card) 0 = Receive (from Smart Card to SCI)
1	BLKEN	Block Time-Out Enable 1 = Starts the block timer. 0 = Stops the block timer.
0	ATRDEN	Answer-to-Reset Duration Enable 1 = Starts the ATR duration timer. 0 = Stops the ATR duration timer.

26.2.2.4 Control 2 Register (CR2)

This register, defined in Table 26-8 and Table 26-9, initiates activation, deactivation, and warm reset events. Avoid writing this register during deactivation.

Table 26-8. CR2 Register

BIT	31	30	29	28	27	26	25	24	23	22	21	20	19	18	17	16
FIELD	///															
RESET	0	0	0	0	0	0	0	0	0	0	0	0	0	0	0	0
TYPE	RO	RO	RO	RO	RO	RO	RO	RO	RO	RO	RO	RO	RO	RO	RO	RO
BIT	15	14	13	12	11	10	9	8	7	6	5	4	3	2	1	0
FIELD	///													WRESET	FINISH	STARTUP
RESET	0	0	0	0	0	0	0	0	0	0	0	0	0	0	0	0
TYPE	RO	RO	RO	RO	RO	RO	RO	RO	RO	RO	RO	RO	RO	WO	WO	WO
ADDR	0x8000.030C															

Table 26-9. CR2 Fields

BITS	NAME	FUNCTION
31:3	///	Reserved Reading returns 0. Values written cannot be read.
2	WRESET	Warm Reset 1 = Initiate a warm reset. 0 = Normal operation. This bit can only be written after activation ends.
1	FINISH	Finish Card Session 1 = Deactivate Smart Card. 0 = Normal operation. This bit can only be written if a valid card is present (DSTAT:CARDPRESENT is 1).
0	STARTUP	Start-up Card Session 1 = Activate Smart Card. 0 = Normal Operation. This bit can only be written if a valid card is present (DSTAT:CARDPRESENT is 1).

26.2.2.5 Interrupt Enable Register (IER)

This register, defined in Table 26-10 and Table 26-11, controls the inclusion of individual interrupts in the composite SCI Interrupt (SCIINTR).

Interrupts are enabled and disabled using this register:

- To enable an interrupt, program the corresponding IER bit to 1.
- To disable an interrupt, program the corresponding IER bit to 0.

Both enabled and disabled interrupts can be asserted in Interrupt Identification Register (IIR). Enabled asserted interrupts are ORed together to generate SCIINTR, sent as an IRQ interrupt to the LH7A404 interrupt controller.

Table 26-10. IER Register

BIT	31	30	29	28	27	26	25	24	23	22	21	20	19	18	17	16
FIELD	///															
RESET	0	0	0	0	0	0	0	0	0	0	0	0	0	0	0	0
TYPE	RO	RO	RO	RO	RO	RO	RO	RO	RO	RO	RO	RO	RO	RO	RO	RO
BIT	15	14	13	12	11	10	9	8	7	6	5	4	3	2	1	0
FIELD	///				TXWMARKIE	RXWMARKIE	RTOUTIE	CHTOUTIE	BLKTOUTIE	ATRDOUTIE	ATRSTOUTIE	TXERRIE	CARDDNIE	CARDUPIE	CARDOUTIE	CARDINIE
RESET	0	0	0	0	0	0	0	0	0	0	0	0	0	0	0	0
TYPE	RO	RO	RO	RO	RW	RW	RW	RW	RW	RW	RW	RW	RW	RW	RW	RW
ADDR	0x8000.0310															

Table 26-11. IER Fields

BITS	NAME	DESCRIPTION
31:12	///	Reserved Reading returns 0. Values written cannot be read.
11	TXWMARKIE	Transmit Watermark Interrupt Enable 1 = Interrupt enabled. 0 = Interrupt disabled.
10	RXWMARKIE	Receive Watermark Interrupt Enable 1 = Interrupt enabled. 0 = Interrupt disabled.
9	RTOUTIE	Receive Time-Out Interrupt Enable 1 = Interrupt enabled. 0 = Interrupt disabled.
8	CHTOUTIE	Character Time-Out Interrupt Enable 1 = Interrupt enabled. 0 = Interrupt disabled.
7	BLKTOUTIE	Block Time-Out Interrupt Enable 1 = Interrupt enabled. 0 = Interrupt disabled.

Table 26-11. IER Fields

BITS	NAME	DESCRIPTION
6	ATRDTOUTIE	Answer-to-Reset Duration Time-Out Interrupt Enable 1 = Interrupt enabled. 0 = Interrupt disabled.
5	ATRSTOUTIE	Answer-to-Reset Start Time-OUT Interrupt Enable 1 = Interrupt enabled. 0 = Interrupt disabled.
4	TXERRIE	Transmit Error Interrupt Enable 1 = Interrupt enabled. 0 = Interrupt disabled.
3	CARDDNIE	Card Power-Down Interrupt Enable 1 = Interrupt enabled. 0 = Interrupt disabled.
2	CARDUPIE	Card Power-Up Interrupt Enable 1 = Interrupt enabled. 0 = Interrupt disabled.
1	CARDOUTIE	Card Taken-Out Interrupt Enable 1 = Interrupt enabled. 0 = Interrupt disabled.
0	CARDINIE	Card Inserted Interrupt Enable 1 = Interrupt enabled. 0 = Interrupt disabled.

26.2.2.6 Retry Limit Register (RETRY)

This register, defined in Table 26-12 and Table 26-13, configures the number of transmit and receive retries allowed for a character.

For T = 0 protocol, with CR0:TXNAK set, TXRETRY specifies the maximum number of retransmission attempts for a character incorrectly received by the card, before the SCI stops transmission and generates a TXERR interrupt. For normal T = 0 operation, TXRETRY = 0b011, specifying three retries. Programming TXRETRY to 0 specifies no retries, causing a TXERR interrupt to occur as soon as an error is detected.

Using T = 1 protocol, with TXNAK 0, disable character-based handshaking by programming CR0:TXNAK to 0. TXRETRY is unused.

For T = 0 protocol, with CR0:RXNAK programmed to 1, RXRETRY specifies the maximum number of retransmission requests of a character after a parity error is detected before setting the DATA register Parity Error bit (DATA:PARITY). For normal T = 0 operation, RXRETRY = 0b011, specifying three retries. Programming RXRETRY to 0b000 specifies no retries, writing the received character to the receive FIFO with no request for retransmission in the event of a parity error.

For T = 1 operation, disable character-based handshaking by programming CR0:RXNAK to 0. RXRETRY is unused.

Table 26-12. RETRY Register

BIT	31	30	29	28	27	26	25	24	23	22	21	20	19	18	17	16
FIELD	///															
RESET	0	0	0	0	0	0	0	0	0	0	0	0	0	0	0	0
TYPE	RO	RO	RO	RO	RO	RO	RO	RO	RO	RO	RO	RO	RO	RO	RO	RO
BIT	15	14	13	12	11	10	9	8	7	6	5	4	3	2	1	0
FIELD	///										RXRETRY			TXRETRY		
RESET	0	0	0	0	0	0	0	0	0	0	0	0	0	0	0	0
TYPE	RO	RO	RO	RO	RO	RO	RO	RO	RO	RO	RW	RW	RW	RW	RW	RW
ADDR	0x8000.0314															

Table 26-13. RETRY Fields

BITS	NAME	FUNCTION
31:6	///	Reserved Reading returns 0. Values written cannot be read.
5:3	RXRETRY	Receive Retry Specifies the maximum number of retries to receive when a parity error has occurred.
2:0	TXRETRY	Transmit Retry Specifies the maximum number of times to retransmit a character after detecting a parity error.

26.2.2.7 Watermark Register (WMARK)

This register, defined in Table 26-14 and Table 26-15, specifies the trigger points for the TXWMARK and RXWMARK interrupts:

The RXWMARK interrupt indicates the number of characters in the receive FIFO is greater than the value in WMARK:RXWMARK. The RXWMARK interrupt can occur only when CR1:MODE is cleared, specifying receive mode. WMARK:RXWMARK specifies the receive FIFO trigger point:

- Programming WMARK:RXWMARK to 0b0000 causes an interrupt as soon as the receive FIFO is non-empty.
- Any WMARK:RXWMARK value greater than 0b0111 prevents the RXWMARK interrupt.

The TXWMARK interrupt indicates the number of characters in the transmit FIFO is less than the value in WMARK:TXWMARK. WMARK:TXWMARK specifies the transmit FIFO trigger point:

- Programming WMARK:TXWMARK to 0b0000 prevents the TXWMARK interrupt.
- Only values from 0x0 through 0x8 are valid.

TXFIFO can be written only when CR1:MODE is 1 (transmit mode). The TXWMARK interrupt, however, does not depend on MODE. The interrupt can be generated even after the data direction has changed from transmit to receive.

Table 26-14. WMARK Register

BIT	31	30	29	28	27	26	25	24	23	22	21	20	19	18	17	16
FIELD	///															
RESET	0	0	0	0	0	0	0	0	0	0	0	0	0	0	0	0
TYPE	RO	RO	RO	RO	RO	RO	RO	RO	RO	RO	RO	RO	RO	RO	RO	RO
BIT	15	14	13	12	11	10	9	8	7	6	5	4	3	2	1	0
FIELD	///								RXWMARK				TXWMARK			
RESET	0	0	0	0	0	0	0	0	0	0	0	0	0	0	0	0
TYPE	RO	RO	RO	RO	RO	RO	RO	RO	RW	RW	RW	RW	RW	RW	RW	RW
ADDR	0x8000.0318															

Table 26-15. WMARK Fields

BITS	NAME	FUNCTION
31:8	///	Reserved Reading returns 0. Values written cannot be read.
7:4	RXWMARK	Receive Watermark Trigger point for RXWMARKINTR
3:0	TXWMARK	Transmit Watermark Trigger point for TXWMARKINTR

26.2.2.8 Transmit FIFO Count and Clear Register (TXCOUNT)

These registers show the amount of data in the transmit FIFO when read, and flush the transmit FIFO when written.

Reading this register as the Transmit FIFO Count register (TXCOUNT), defined in Table 26-16 and Table 26-17, returns the number of characters in the transmit FIFO. Writing any value to this register as the Transmit FIFO Clear register (TXFCLEAR), defined in Table 26-22 and Table 26-23, flushes the transmit FIFO.

When an unsuccessful transmission occurs in the T = 0 protocol, the SCI generates a TXERR interrupt and stops transmitting. Before any further characters can be transmitted or received, the error condition must be cleared by flushing the transmit FIFO.

Table 26-16. TXCOUNT Register

BIT	31	30	29	28	27	26	25	24	23	22	21	20	19	18	17	16
FIELD	///															
RESET	0	0	0	0	0	0	0	0	0	0	0	0	0	0	0	0
TYPE	RO	RO	RO	RO	RO	RO	RO	RO	RO	RO	RO	RO	RO	RO	RO	RO
BIT	15	14	13	12	11	10	9	8	7	6	5	4	3	2	1	0
FIELD	///											TXCOUNT				
RESET	0	0	0	0	0	0	0	0	0	0	0	0	0	0	0	0
TYPE	RO	RO	RO	RO	RO	RO	RO	RO	RO	RO	RO	RO	RO	RO	RO	RO
ADDR	0x8000.031C															

Table 26-17. TXCOUNT Fields

BITS	NAME	FUNCTION
31:5	///	Reserved Reading returns 0. Values written cannot be read.
4:0	TXCOUNT	Transmit Count Reading this field returns the number of characters, including any character currently being transmitted, in the transmit FIFO. Values written to this field cannot be read back.

Table 26-18. TXCLEAR Register

BIT	31	30	29	28	27	26	25	24	23	22	21	20	19	18	17	16
FIELD	TXCOUNTCLR															
RESET	0	0	0	0	0	0	0	0	0	0	0	0	0	0	0	0
TYPE	WO	WO	WO	WO	WO	WO	WO	WO	WO	WO	WO	WO	WO	WO	WO	WO
BIT	15	14	13	12	11	10	9	8	7	6	5	4	3	2	1	0
FIELD	TXCOUNTCLR															
RESET	0	0	0	0	0	0	0	0	0	0	0	0	0	0	0	0
TYPE	WO	WO	WO	WO	WO	WO	WO	WO	WO	WO	WO	WO	WO	WO	WO	WO
ADDR	0x8000.031C															

Table 26-19. TXCOUNT Fields

BITS	NAME	FUNCTION
31:0	TXCOUNTCLR	Transmit FIFO Clear Writing any value to this register flushes the transmit FIFO. Values written to this register cannot be read back.

26.2.2.9 Receive FIFO Count and Clear Register (RXCOUNT)

These registers show the amount of data in the receive FIFO when read, and flush the receive FIFO when written to.

Reading this register as the Receive FIFO Count register (RXCOUNT), defined in Table 26-20 and Table 26-21, returns the number of characters in the receive FIFO. Writing any value to this register as the Receive FIFO Clear register (RXFCLEAR), defined in Table 26-22 and Table 26-23, flushes the receive FIFO.

Table 26-20. RXCOUNT Register

BIT	31	30	29	28	27	26	25	24	23	22	21	20	19	18	17	16
FIELD	///															
RESET	0	0	0	0	0	0	0	0	0	0	0	0	0	0	0	0
TYPE	RO	RO	RO	RO	RO	RO	RO	RO	RO	RO	RO	RO	RO	RO	RO	RO
BIT	15	14	13	12	11	10	9	8	7	6	5	4	3	2	1	0
FIELD	///											RXCOUNT				
RESET	0	0	0	0	0	0	0	0	0	0	0	0	0	0	0	0
TYPE	RO	RO	RO	RO	RO	RO	RO	RO	RO	RO	RO	RO	RO	RO	RO	RO
ADDR	0x8000.0320															

Table 26-21. RXCOUNT Fields

BITS	NAME	DESCRIPTION
31:5	///	Reserved Reading returns 0. Values written cannot be read.
4:0	RXCOUNT	Receive Count Reading this field returns the number of characters in the receive FIFO. Values written to this field cannot be read back.

Table 26-22. RXCLEAR Register

BIT	31	30	29	28	27	26	25	24	23	22	21	20	19	18	17	16
FIELD	RXCOUNTCLR															
RESET	0	0	0	0	0	0	0	0	0	0	0	0	0	0	0	0
TYPE	WO	WO	WO	WO	WO	WO	WO	WO	WO	WO	WO	WO	WO	WO	WO	WO
BIT	15	14	13	12	11	10	9	8	7	6	5	4	3	2	1	0
FIELD	RXCOUNTCLR															
RESET	0	0	0	0	0	0	0	0	0	0	0	0	0	0	0	0
TYPE	WO	WO	WO	WO	WO	WO	WO	WO	WO	WO	WO	WO	WO	WO	WO	WO
ADDR	0x8000.0320															

Table 26-23. RXCLEAR Fields

BITS	NAME	DESCRIPTION
31:0	RXCOUNTCLR	Receive FIFO Clear Writing any value to this register flushes the receive FIFO. Values written to this register cannot be read back.

26.2.2.10 FIFO Status Register (FR)

This register, defined in Table 26-24 and Table 26-25, reports the transmit and receive FIFO status.

Table 26-24. FR Register

BIT	31	30	29	28	27	26	25	24	23	22	21	20	19	18	17	16
FIELD	///															
RESET	0	0	0	0	0	0	0	0	0	0	0	0	0	0	0	0
TYPE	RO	RO	RO	RO	RO	RO	RO	RO	RO	RO	RO	RO	RO	RO	RO	RO
BIT	15	14	13	12	11	10	9	8	7	6	5	4	3	2	1	0
FIELD	///												RXFE	RXFF	TXFE	TXFF
RESET	0	0	0	0	0	0	0	0	0	0	0	0	1	0	1	0
TYPE	RO	RO	RO	RO	RO	RO	RO	RO	RO	RO	RO	RO	RO	RO	RO	RO
ADDR	0x8000.0324															

Table 26-25. FR Field

BITS	NAME	DESCRIPTION
31:4	///	Reserved Reading returns 0. Values written cannot be read.
3	RXFE	Receive FIFO Empty 1 = The receive FIFO is empty. 0 = The receive FIFO is not empty.
2	RXFF	Receive FIFO Full 1 = The receive FIFO is full. 0 = The receive FIFO is not full.
1	TXFE	Transmit FIFO Empty 1 = The transmit FIFO is empty. 0 = The transmit FIFO is not empty.
0	TXFF	Transmit FIFO Full 1 = The transmit FIFO is full. 0 = The transmit FIFO is not full.

26.2.2.11 Receive Read Time-Out Register (RXTIME)

This register, defined in Table 26-26 and Table 26-27, specifies the time-out limit in SCCLK cycles for data to remain unread in the receive FIFO.

This register must be programmed with a nonzero value before FIFO reception begins. Avoid clearing this register.

A Read Time-Out Interrupt (IR:RTOUTINTR) occurs when the receive FIFO contains at least one character, and no characters have been read for the time in Smart Card Clock cycles specified in this register.

Table 26-26. RXTIME Register

BIT	31	30	29	28	27	26	25	24	23	22	21	20	19	18	17	16
FIELD	///															
RESET	0	0	0	0	0	0	0	0	0	0	0	0	0	0	0	0
TYPE	RO	RO	RO	RO	RO	RO	RO	RO	RO	RO	RO	RO	RO	RO	RO	RO
BIT	15	14	13	12	11	10	9	8	7	6	5	4	3	2	1	0
FIELD	RXTIME															
RESET	0	0	0	0	0	0	0	0	0	0	0	0	0	0	0	0
TYPE	RW	RW	RW	RW	RW	RW	RW	RW	RW	RW	RW	RW	RW	RW	RW	RW
ADDR	0x8000.0328															

Table 26-27. RXTIME Fields

BITS	NAME	FUNCTION
31:16	///	Reserved Reading returns 0. Values written cannot be read.
15:0	RXTIME	Receive Read Time-Out Specify the time-out limit in SCCLK cycles for data to remain unread in the receive FIFO.

26.2.2.12 Direct Status Register (DSTAT)

This register, defined in Table 26-28 and Table 26-29, provides direct access to Smart Card signals, required only for ISO 7816-3 noncompliant configurations. This register is updated automatically during activation, deactivation and warm reset events.

The SCI has no separate bit to distinguish between ISO 7816-3 compliant and noncompliant cards. Software must follow the appropriate sequences to ensure correct and consistent behavior, as follows:

- For noncompliant cards, do not write STARTUP; perform the activation sequence via explicit writes to DSTAT.
- For compliant cards, set STARTUP, and avoid writing DSTAT.
- Avoid writing DSTAT during card validation via the hardware debounce mechanism.
- Writing DSTAT has no effect during deactivation.

For ISO 7816-3 noncompliant cards, the clock and data lines are driven by software after activation:

- When the Synchronous Control Register Select Clock bit (SYNCCR:SELCLK) is 1, the nCLKEN output and the Smart Card clock are controlled by the Synchronous Data register (SYNCDATA) Write Clock Enable (WCLKEN) and Write Clock (WCLK) bits, respectively.
- When the Select Data bit (SYNCCR:SELDATA) is 1, the nDATAEN output and the nDATAOUTEN output are controlled by the SYNCDATA Write Data Enable bit (WDATAEN) and Write Data bit (WDATA) respectively.

Table 26-28. DSTAT Register

BIT	31	30	29	28	27	26	25	24	23	22	21	20	19	18	17	16
FIELD	///															
RESET	0	0	0	0	0	0	0	0	0	0	0	0	0	0	0	0
TYPE	RO	RO	RO	RO	RO	RO	RO	RO	RO	RO	RO	RO	RO	RO	RO	RO
BIT	15	14	13	12	11	10	9	8	7	6	5	4	3	2	1	0
FIELD	///						CARDPRESENT	nDATAEN	nDATAOUTEN	CLKOUT	nCLKEN	nCLKOUTEN	DATAEN	CLKEN	CRESET	POWER
RESET	0	0	0	0	0	0	0	0	0	0	0	0	0	0	0	0
TYPE	RO	RO	RO	RO	RO	RO	RO	RO	RO	RO	RO	RO	RW	RW	RW	RW
ADDR	0x8000.032C															

Table 26-29. DSTAT Fields

BITS	NAME	DESCRIPTION
31:10	///	Reserved Reading returns 0. Values written cannot be read.
9	CARDPRESENT	Card Present 1 = A Smart Card is present. 0 = No Smart Card present.
8	nDATAEN	Data Enable This bit is the control signal for external tristate data input buffers. 1 = Input data enabled. 0 = Input data not enabled.
7	nDATAOUTEN	Data Output Enable This bit is the control signal for external tristate data output buffers. 1 = Data output enabled. 0 = Data output not enabled.
6	CLKOUT	Clock Output Smart Card clock output.
5	nCLKEN	Clock Enable 1 = SCCLK enabled. 0 = SCCLK not enabled.
4	nCLKOUTEN	Clock Output Enable This bit is the control signal for external tristate clock output buffers. 1 = Clock output enabled. 0 = Clock output not enabled.
3	DATAEN	Data Enable Smart Card data enable. 1 = Smart Card data enabled. 0 = Smart Card data forced LOW.
2	CLKEN	Clock Enable Smart Card clock enable. 1 = Smart Card clock enabled. 0 = Smart Card clock forced LOW.
1	CRESET	Card Reset 1 = Reset Smart Card. 0 = Normal operation.
0	POWER	Power 1 = Smart Card VCC enabled. 0 = Smart Card VCC not enabled.

26.2.2.13 Debounce Timer Register (STABLE)

This register, defined in Table 26-30 and Table 26-31, specifies how long the SCDETECT signal must hold a stable HIGH value before the interface recognizes the card insertion. This debounce time is measured in SCIREFCLK cycles.

The Card Inserted Interrupt (CARDININTR) indicates when the card insertion is registered. Either of the following resets CARDININTR:

- Completing card deactivation
- Card removal.

Clear CR1:EXDBNCE and write the Least Significant Byte (LSB) of STABLE to specify the debounce time as $(\text{STABLE} + 1) \times (0\text{xFFFF})$. Program EXDBNCE to 1 and STABLE to 0 to specify a zero debounce time.

Table 26-30. STABLE Register

BIT	31	30	29	28	27	26	25	24	23	22	21	20	19	18	17	16
FIELD	///															
RESET	0	0	0	0	0	0	0	0	0	0	0	0	0	0	0	0
TYPE	RO	RO	RO	RO	RO	RO	RO	RO	RO	RO	RO	RO	RO	RO	RO	RO
BIT	15	14	13	12	11	10	9	8	7	6	5	4	3	2	1	0
FIELD	///								STABLE							
RESET	0	0	0	0	0	0	0	0	0	0	0	0	0	0	0	0
TYPE	RO	RO	RO	RO	RO	RO	RO	RO	RW	RW	RW	RW	RW	RW	RW	RW
ADDR	0x8000.0330															

Table 26-31. STABLE Fields

BITS	NAME	DESCRIPTION
31:8	///	Reserved Reading returns 0. Values written cannot be read.
7:0	STABLE	Stable Debounce Time Specifies the debounce time, measured in SCIREFCLK cycles.

26.2.2.14 Activation Time Register (ATIME)

This register, defined in Table 26-32 and Table 26-33, specifies one-third of the minimum duration, in SCCLK cycles, for card activation. The SCI uses ATIME as the duration for each of the three stages of activation. Program ATIME to satisfy the minimum nSCRESET signal LOW time of 40,000 cycles (0xC40), plus any additional time required for the interface power to stabilize.

Table 26-32. ATIME Register

BIT	31	30	29	28	27	26	25	24	23	22	21	20	19	18	17	16
FIELD	///															
RESET	0	0	0	0	0	0	0	0	0	0	0	0	0	0	0	0
TYPE	RO	RO	RO	RO	RO	RO	RO	RO	RO	RO	RO	RO	RO	RO	RO	RO
BIT	15	14	13	12	11	10	9	8	7	6	5	4	3	2	1	0
FIELD	ATIME															
RESET	0	0	0	0	0	0	0	0	0	0	0	0	0	0	0	0
TYPE	RW	RW	RW	RW	RW	RW	RW	RW	RW	RW	RW	RW	RW	RW	RW	RW
ADDR	0x8000.0334															

Table 26-33. ATIME Fields

BITS	NAME	DESCRIPTION
31:16	///	Reserved Reading returns 0. Values written cannot be read.
15:0	ATIME	Activation Time Specifies the minimum duration for each stage of card activation, in SCCLK cycles.

26.2.2.15 Deactivation Event Time Register (DTIME)

This register, defined in Table 26-34 and Table 26-35, specifies one third of the minimum duration, in SCIREFCLK cycles, for card activation. The SCI uses ATIME as the duration for each of the three stages of activation.

Table 26-34. DTIME Register

BIT	31	30	29	28	27	26	25	24	23	22	21	20	19	18	17	16
FIELD	///															
RESET	0	0	0	0	0	0	0	0	0	0	0	0	0	0	0	0
TYPE	RO	RO	RO	RO	RO	RO	RO	RO	RO	RO	RO	RO	RO	RO	RO	RO
BIT	15	14	13	12	11	10	9	8	7	6	5	4	3	2	1	0
FIELD	DTIME															
RESET	0	0	0	0	0	0	0	0	0	0	0	0	0	0	0	0
TYPE	RW	RW	RW	RW	RW	RW	RW	RW	RW	RW	RW	RW	RW	RW	RW	RW
ADDR	0x8000.0338															

Table 26-35. DTIME Fields

BITS	NAME	DESCRIPTION
31:16	///	Reserved Reading returns 0. Values written cannot be read.
15:0	DTIME	Deactivation Time Specifies the minimum duration for each stage of card deactivation, measured in SCIREFCLK cycles.

26.2.2.16 ATR Reception Start Time Register (ATRSTIME)

This register, defined in Table 26-36 and Table 26-37, specifies the receive time-out limit, in SCCLK cycles, from the deassertion of nSCRESET to the start of the first ATR character. This time-out asserts the Answer-to-Reset Start Time-Out Interrupt (IIR:ATRSTOUTINTR). Program ATRSTIME with a minimum of 40,000 cycles (0xC40).

Table 26-36. ATRSTIME Register

BIT	31	30	29	28	27	26	25	24	23	22	21	20	19	18	17	16
FIELD	///															
RESET	0	0	0	0	0	0	0	0	0	0	0	0	0	0	0	0
TYPE	RO	RO	RO	RO	RO	RO	RO	RO	RO	RO	RO	RO	RO	RO	RO	RO
BIT	15	14	13	12	11	10	9	8	7	6	5	4	3	2	1	0
FIELD	ATRSTIME															
RESET	0	0	0	0	0	0	0	0	0	0	0	0	0	0	0	0
TYPE	RW	RW	RW	RW	RW	RW	RW	RW	RW	RW	RW	RW	RW	RW	RW	RW
ADDR	0x8000.033C															

Table 26-37. ATRSTIME Fields

BITS	NAME	DESCRIPTION
31:16	///	Reserved Reading returns 0. Values written cannot be read.
15:0	ATRSTIME	Answer-to-Reset Start Time Specifies the time-out limit from the deassertion of nSCRESET to the start of the first ATR character.

26.2.2.17 ATR Duration Register (ATRDTIME)

This register, defined in Table 26-38 and Table 26-39, specifies the time-out limit of the ATR message block, from the start bit of the first ATR character until the end of the final character. This value is specified in elementary time units (etus).

This time-out asserts the Answer-to-Reset Duration Time-Out Interrupt (IIR:ATRDTOUTINTR). This timer runs when CR1:ATRDEN is set. After receiving the ATR block, stop the timer by clearing CR1:ATRDEN.

Table 26-38. ATRDTIME Register

BIT	31	30	29	28	27	26	25	24	23	22	21	20	19	18	17	16
FIELD	///															
RESET	0	0	0	0	0	0	0	0	0	0	0	0	0	0	0	0
TYPE	RO	RO	RO	RO	RO	RO	RO	RO	RO	RO	RO	RO	RO	RO	RO	RO
BIT	15	14	13	12	11	10	9	8	7	6	5	4	3	2	1	0
FIELD	ATRDTIME															
RESET	0	0	0	0	0	0	0	0	0	0	0	0	0	0	0	0
TYPE	RW	RW	RW	RW	RW	RW	RW	RW	RW	RW	RW	RW	RW	RW	RW	RW
ADDR	0x8000.0340															

Table 26-39. ATRDTIME Fields

BITS	NAME	DESCRIPTION
31:16	///	Reserved Reading returns 0. Values written cannot be read.
15:0	ATRDTIME	Answer-to-Reset Duration Time Specifies the ATR message reception time-out limit, measured in etus.

26.2.2.18 Receive Block Time-Out Register (BLKTIME)

This register, defined in Table 26-40 and Table 26-41, specifies the receive time-out limit between blocks. This limit is the maximum time between:

1. The leading edge of the most recent character giving permission to send to the card.
2. The first character sent by the card.

This time-out asserts the Block Time-Out Interrupt (IIR:BLKTOUTINTR).

BLKTIME applies to both T = 0 and T = 1 protocols:

- For T = 0, the SCI adds 12 etus to the value in BLKTIME. Write BLKTIME as the time-out limit in etus, minus 12.
- For T = 1, the SCI adds 11 etus to the value in BLKTIME. Write BLKTIME as the required time-out limit in etus, minus 11.

The protocol is specified in CR0:TXNAK.

BLKTIME does not apply to ATR reception. ATRSTIME is used for the time-out limit for receiving the first ATR character.

Table 26-40. BLKTIME Register

BIT	31	30	29	28	27	26	25	24	23	22	21	20	19	18	17	16
FIELD	///															
RESET	0	0	0	0	0	0	0	0	0	0	0	0	0	0	0	0
TYPE	RO	RO	RO	RO	RO	RO	RO	RO	RO	RO	RO	RO	RO	RO	RO	RO
BIT	15	14	13	12	11	10	9	8	7	6	5	4	3	2	1	0
FIELD	BLKTIME															
RESET	0	0	0	0	0	0	0	0	0	0	0	0	0	0	0	0
TYPE	RW	RW	RW	RW	RW	RW	RW	RW	RW	RW	RW	RW	RW	RW	RW	RW
ADDR	0x8000.0344															

Table 26-41. BLKTIME Fields

BITS	NAME	DESCRIPTION
31:16	///	Reserved Reading returns 0. Values written cannot be read.
15:0	BLKTIME	Block Time Specifies the block receive time-out limit.

26.2.2.19 Character-to-Character Time-Out Register (CHTIME)

This register, defined in Table 26-42 and Table 26-43, specifies the maximum time in etus between the leading edge of two consecutive characters. The time-out asserts the Character Time-Out Interrupt (IIR:CHTOUTINTR).

This time-out applies to ATR reception and to both T = 0 and T = 1 protocols:

- For T = 0, the time between characters is the Work Waiting Time (WWT). The SCI adds 12 etus to the value in CHTIME. Write CHTIME as the required time-out limit in etus, minus 12.
- For T = 1, the time between characters is the Character Waiting Time (CWT), and the respective characters must reside in the same block. The SCI adds 11 etus to the value in CHTIME. Write CHTIME as the required time-out limit in etus, minus 11.

The protocol is specified in CR0:TXNAK.

Table 26-42. CHTIME Register

BIT	31	30	29	28	27	26	25	24	23	22	21	20	19	18	17	16
FIELD	///															
RESET	0	0	0	0	0	0	0	0	0	0	0	0	0	0	0	0
TYPE	RO	RO	RO	RO	RO	RO	RO	RO	RO	RO	RO	RO	RO	RO	RO	RO
BIT	15	14	13	12	11	10	9	8	7	6	5	4	3	2	1	0
FIELD	CHTIME															
RESET	0	0	0	0	0	0	0	0	0	0	0	0	0	0	0	0
TYPE	RW	RW	RW	RW	RW	RW	RW	RW	RW	RW	RW	RW	RW	RW	RW	RW
ADDR	0x8000.0348															

Table 26-43. CHTIME Fields

BITS	NAME	DESCRIPTION
31:16	///	Reserved Reading returns 0. Values written cannot be read.
15:0	CHTIME	Character Time Specifies the character-to-character time-out limit.

26.2.2.20 Clock Frequency Register (CLKDIV)

This register, defined in Table 26-44 and Table 26-45, specifies the Smart Card Clock (SCCLK) frequency (f) based on the Reference Clock (SCIREFCLK). The SCIREFCLK clock is specified in the CONTROL register Pre-Divide field (CONTROL:PREDIV). The Least Significant Byte (LSB) of CLKDIV is used to specify f :

$$f = (\text{SCIREFCLK}) \div (\text{CLKDIV} + 1) \times 2$$

Program CLKDIV before using CR2:STARTUP or DSTAT to enable SCCLK.

Table 26-44. CLKDIV Register

BIT	31	30	29	28	27	26	25	24	23	22	21	20	19	18	17	16
FIELD	///															
RESET	0	0	0	0	0	0	0	0	0	0	0	0	0	0	0	0
TYPE	RO	RO	RO	RO	RO	RO	RO	RO	RO	RO	RO	RO	RO	RO	RO	RO
BIT	15	14	13	12	11	10	9	8	7	6	5	4	3	2	1	0
FIELD	///								CLKDIV							
RESET	0	0	0	0	0	0	0	0	0	0	0	0	0	0	0	0
TYPE	RO	RO	RO	RO	RO	RO	RO	RO	RW	RW	RW	RW	RW	RW	RW	RW
ADDR	0x8000.034C															

Table 26-45. CLKDIV Fields

BITS	NAME	DESCRIPTION
31:8	///	Reserved Reading returns 0. Values written cannot be read.
7:0	CLKDIV	Clock Frequency Divisor Specifies SCCLK based on SCIREFCLK, as defined in the formula above.

26.2.2.21 Baud Rate Register (BAUD)

This register, defined in Table 26-46 and Table 26-47, specifies the divisor used with the Least Significant Byte (LSB) of CYCLES to generate a baud rate clock based on SCIREFCLK. The SCIREFCLK value is specified in the CONTROL register Pre-divide field (CONTROL:PREDIV). The least significant halfword of BAUD is used to specify the baud rate as follows:

$$1 \text{ etu} = ((\text{BAUD} + 1) \times \text{CYCLES}) \div \text{SCIREFCLK}$$

This register must be programmed with a nonzero value before communication begins. Avoid clearing this register.

Table 26-46. BAUD Register

BIT	31	30	29	28	27	26	25	24	23	22	21	20	19	18	17	16
FIELD	///															
RESET	0	0	0	0	0	0	0	0	0	0	0	0	0	0	0	0
TYPE	RO	RO	RO	RO	RO	RO	RO	RO	RO	RO	RO	RO	RO	RO	RO	RO
BIT	15	14	13	12	11	10	9	8	7	6	5	4	3	2	1	0
FIELD	BAUD															
RESET	0	0	0	0	0	0	0	0	0	0	0	0	0	0	0	0
TYPE	RW	RW	RW	RW	RW	RW	RW	RW	RW	RW	RW	RW	RW	RW	RW	RW
ADDR	0x8000.0350															

Table 26-47. BAUD Fields

BITS	NAME	DESCRIPTION
31:16	///	Reserved Reading returns 0. Values written cannot be read.
15:0	BAUD	Baud Rate Divisor Specifies divisor used to generate the baud rate clock, based on the formula above.

26.2.2.22 Baud Cycles Register (CYCLES)

This register, defined in Table 26-48 and Table 26-49, specifies the number of BAUD (defined in the BAUD Register) cycles per etu:

$$1 \text{ etu} = ((\text{BAUD} + 1) \times \text{CYCLES}) \div \text{SCIREFCLK}$$

Write this register with any value between 0x05 and 0xFF.

Table 26-48. CYCLES Register

BIT	31	30	29	28	27	26	25	24	23	22	21	20	19	18	17	16
FIELD	///															
RESET	0	0	0	0	0	0	0	0	0	0	0	0	0	0	0	0
TYPE	RO	RO	RO	RO	RO	RO	RO	RO	RO	RO	RO	RO	RO	RO	RO	RO
BIT	15	14	13	12	11	10	9	8	7	6	5	4	3	2	1	0
FIELD	///								CYCLES							
RESET	0	0	0	0	0	0	0	0	0	0	0	0	0	0	0	0
TYPE	RO	RO	RO	RO	RO	RO	RO	RO	RW	RW	RW	RW	RW	RW	RW	RW
ADDR	0x8000.0354															

Table 26-49. CYCLES Fields

BITS	NAME	DESCRIPTION
31:8	///	Reserved Reading returns 0. Values written cannot be read.
7:0	CYCLES	Baud Cycles Specifies the number of Baud cycles per etu, based on the formula above.

26.2.2.23 Character-to-Character Guard Time Register (CHGUARD)

This register, defined in Table 26-51 and Table 26-52, specifies the extra guard time added to the minimum duration between leading edges of the start bits of two consecutive characters, for subsequent communication from the interface to the Smart Card.

CHGUARD is derived from the TC1 value extracted from the ATR character stream, as shown in Table 26-50. The protocol is specified in CR0:TXNAK.

Table 26-50. Character-to-Character Guard Times for TC0 and TC1

TC1 VALUE	CHGUARD		GUARD TIME (etu)	
	T = 0	T = 1	T = 0	T = 1
$0 \leq TC1 < 255$	TC1	TC1 + 1	TC1 + 12	TC1 + 11
TC1 = 255	0	0	12	11

Table 26-51. CHGUARD Register

BIT	31	30	29	28	27	26	25	24	23	22	21	20	19	18	17	16
FIELD	///															
RESET	0	0	0	0	0	0	0	0	0	0	0	0	0	0	0	0
TYPE	RO	RO	RO	RO	RO	RO	RO	RO	RO	RO	RO	RO	RO	RO	RO	RO
BIT	15	14	13	12	11	10	9	8	7	6	5	4	3	2	1	0
FIELD	///								CHGUARD							
RESET	0	0	0	0	0	0	0	0	0	0	0	0	0	0	0	0
TYPE	RO	RO	RO	RO	RO	RO	RO	RO	RW	RW	RW	RW	RW	RW	RW	RW
ADDR	0x8000.0358															

Table 26-52. CHGUARD Fields

BITS	NAME	DESCRIPTION
31:8	///	Reserved Reading returns 0. Values written cannot be read.
7:0	CHGUARD	Character Guard Specifies the minimum duration between the leading edges of the start bits of two consecutive characters for subsequent communication from the SCI to the Smart Card.

26.2.2.24 Block Guard Time Register (BLKGUARD)

This register, defined in Table 26-53 and Table 26-54, specifies the minimum time in etus between the leading edges of two consecutive characters sent in opposite directions. This guard time depends on the protocol:

- For $T = 0$, the SCI adds 12 etus to the value in BLKGUARD. Write BLKGUARD as the required time-out limit in etus, minus 12. Because the BLKGUARD minimum time is 16 etus, the minimum programmable BLKGUARD value is 4.
- For $T = 1$, the SCI adds 11 etus to the value in BLKGUARD. Write BLKGUARD as the required time-out limit in etus, minus 11. Because the BLKGUARD minimum time is 22 etus, the minimum programmable BLKGUARD value is 11.

The protocol is specified in CR0:TXNAK.

Table 26-53. BLKGUARD Register

BIT	31	30	29	28	27	26	25	24	23	22	21	20	19	18	17	16
FIELD	///															
RESET	0	0	0	0	0	0	0	0	0	0	0	0	0	0	0	0
TYPE	RO	RO	RO	RO	RO	RO	RO	RO	RO	RO	RO	RO	RO	RO	RO	RO
BIT	15	14	13	12	11	10	9	8	7	6	5	4	3	2	1	0
FIELD	///								BLKGUARD							
RESET	0	0	0	0	0	0	0	0	0	0	0	0	0	0	0	0
TYPE	RO	RO	RO	RO	RO	RO	RO	RO	RW	RW	RW	RW	RW	RW	RW	RW
ADDR	0x8000.035C															

Table 26-54. BLKGUARD Fields

BITS	NAME	FUNCTION
31:8	///	Reserved Reading returns 0. Values written cannot be read.
7:0	BLKGUARD	Block Guard Specifies the minimum time, in etus, between the leading edges of two consecutive characters sent in opposite directions.

26.2.2.25 Asynchronous and Synchronous Multiplexing Register (SYNCCR)

This register, defined in Table 26-55 and Table 26-56, selects the Smart Card clock and I/O line sources.

The Smart Card can operate in two modes:

- In asynchronous mode the clock is derived from SCIREFCLK and data is driven directly by the interface or the card.
- In synchronous mode, the system processor provides the clock and data by writing appropriate values to the SYNCDATA register.

Table 26-55. SYNCCR Register

BIT	31	30	29	28	27	26	25	24	23	22	21	20	19	18	17	16
FIELD	///															
RESET	0	0	0	0	0	0	0	0	0	0	0	0	0	0	0	0
TYPE	RO	RO	RO	RO	RO	RO	RO	RO	RO	RO	RO	RO	RO	RO	RO	RO
BIT	15	14	13	12	11	10	9	8	7	6	5	4	3	2	1	0
FIELD	///														SELCLK	SELDATA
RESET	0	0	0	0	0	0	0	0	0	0	0	0	0	0	0	0
TYPE	RO	RO	RO	RO	RO	RO	RO	RO	RO	RO	RO	RO	RO	RO	RW	RW
ADDR	0x8000.0360															

Table 26-56. SYNCCR Fields

BITS	NAME	DESCRIPTION
31:2	///	Reserved Reading returns 0. Values written cannot be read.
1	SELCLK	Select Clock Selects the source of the Smart Card clock: 1 = SYNCDATA register bit 1 (WCLK) drives SCCLK. 0 = SCCLK is derived from SCIREFCLK.
0	SELDATA	Select Data Selects the signal used to drive SCIO: 1 = SYNCDATA:WDATA drives SCIO. 0 = The DATA transmit FIFO drives SCIO.

26.2.2.26 Synchronous Data Register (SYNCDATA)

This register, defined in Table 26-57 and Table 26-58, in conjunction with the Synchronous Control Register Select Clock bit (SYNCCR:SELCLK), specifies the alternate sources for driving the Smart Card data (SCIO) and clock (SCCLK) signals.

Table 26-57. SYNCDATA Register

BIT	31	30	29	28	27	26	25	24	23	22	21	20	19	18	17	16
FIELD	///															
RESET	0	0	0	0	0	0	0	0	0	0	0	0	0	0	0	0
TYPE	RO	RO	RO	RO	RO	RO	RO	RO	RO	RO	RO	RO	RO	RO	RO	RO
BIT	15	14	13	12	11	10	9	8	7	6	5	4	3	2	1	0
FIELD	///												WCLKEN	WDATAEN	WCLK	WDATA
RESET	0	0	0	0	0	0	0	0	0	0	0	0	0	0	0	0
TYPE	RO	RO	RO	RO	RO	RO	RO	RO	RO	RO	RO	RO	RW	RW	RW	RW
ADDR	0x8000.0364															

Table 26-58. SYNCDATA Fields

BITS	NAME	DESCRIPTION
31:4	///	Reserved Reading returns 0. Values written cannot be read.
3	WCLKEN	Write Clock Enable Clearing SELCLK and WCLKEN drives SCCLK LOW.
2	WDATAEN	Write Data Enable Clearing SELDATA and WDATAEN drives SCIO LOW.
1	WCLK	Write Clock When SELCLK is set, WCLK drives SCCLK.
0	WDATA	Write Data When SELDATA is set, WDATA drives SCIO.

26.2.2.27 Raw I/O and Clock Status Register (RAWSTAT)

This register, defined in Table 26-59 and Table 26-60, reports the raw status of the SCIO and SCCLK signals.

For ISO 7816-3 noncompliant operation, because received data is unavailable in the receive FIFO, use RAWSTAT to read the data from card.

Table 26-59. RAWSTAT Register

BIT	31	30	29	28	27	26	25	24	23	22	21	20	19	18	17	16
FIELD	///															
RESET	0	0	0	0	0	0	0	0	0	0	0	0	0	0	0	0
TYPE	RO	RO	RO	RO	RO	RO	RO	RO	RO	RO	RO	RO	RO	RO	RO	RO
BIT	15	14	13	12	11	10	9	8	7	6	5	4	3	2	1	0
FIELD	///														RCLK	RDATA
RESET	0	0	0	0	0	0	0	0	0	0	0	0	0	0	0	0
TYPE	RO	RO	RO	RO	RO	RO	RO	RO	RO	RO	RO	RO	RO	RO	RO	RO
ADDR	0x8000.0368															

Table 26-60. RAWSTAT Fields

BITS	NAME	FUNCTION
31:2	///	Reserved Reading returns 0. Values written cannot be read.
1	RCLK	Raw Clock Returns the SCCLK signal value.
0	RDATA	Raw Data Returns the SCIO signal value.

26.2.2.28 Interrupt Identification and Clear Register (IIR) (ICR)

This register, defined in Table 26-61 and Table 26-62, when read shows the asserted interrupts, and when written to clears asserted interrupts.

Interrupts are asserted in the Interrupt Identification Register (IIR) and enabled in the Interrupt Enable Register (IER). Both enabled and disabled interrupts can be asserted in IIR. Enabled asserted interrupts are ORed together to generate SCIINTR, then sent as an IRQ interrupt to the LH7A404 interrupt controller.

An asserted interrupt in IIR reads as 1. When SCIINTR is asserted, to determine the specific interrupt sources, bitwise-AND IIR with IER. The resulting bit pattern lists the enabled asserted interrupts contributing to SCIINTR.

Writing a 1 to an interrupt field in IIR clears the interrupt. The interrupt field reads back as a 0 when cleared. Writing a 0 to any location in IIR has no effect on the register contents.

For ISO 7816-3 compliant systems, some interrupts are automatically cleared:

- TXWMARKINTR and RXWMARKINTR are cleared by operations on the transmit and receive FIFOs, respectively.
- RTOUTINTR is cleared by reading DATA.
- CRARDDNINTR is cleared by activating the card.
- CARDININTR is cleared by deactivating the card.

Table 26-61. IIR/ICR Register

BIT	31	30	29	28	27	26	25	24	23	22	21	20	19	18	17	16
FIELD	///															
RESET	0	0	0	0	0	0	0	0	0	0	0	0	0	0	0	0
TYPE	RO	RO	RO	RO	RO	RO	RO	RO	RO	RO	RO	RO	RO	RO	RO	RO
BIT	15	14	13	12	11	10	9	8	7	6	5	4	3	2	1	0
FIELD	///				TXWMARKINTR	RXWMARKINTR	RTOUTINTR	CHTOUTINTR	BLKTOUTINTR	ATRDOUTINTR	ATRSTOUTINTR	TXERRINTR	CARDNINTR	CARDUPINTR	CARDOUTINTR	CARDININTR
RESET	0	0	0	0	0	0	0	0	0	0	0	0	1	0	1	0
TYPE	RO	RO	RO	RO	RW	RW	RW	RW	RW	RW	RW	RW	RW	RW	RW	RW
ADDR	0x8000.036C															

Table 26-62. IIR/ICR Read/Write Register Bits

BITS	NAME	FUNCTION
31:12	///	Reserved Reading returns 0. Values written cannot be read.
11	TXWMARKINTR	Transmit Watermark Interrupt 1 = The amount of data in the transmit FIFO is less than the minimum programmed in WMARK:TXWMARK. 0 = Interrupt cleared.
10	RXWMARKINTR	Receive Watermark Interrupt 1 = The amount of data in the receive FIFO has exceeded the limit programmed in WMARK:RXWMARK. 0 = Interrupt cleared.
9	RTOUTINTR	Read Time-Out Interrupt 1 = Data has remained unread in the receive FIFO for longer than the time limit programmed in RXTIME. 0 = Interrupt cleared. When asserted, writing a 1 to this bit clears the interrupt.
8	CHTOUTINTR	Character Time-Out Interrupt 1 = The time between the leading edge of two consecutive received characters has exceeded the limit programmed in CHTIME. 0 = Interrupt cleared. When asserted, writing a 1 to this bit clears the interrupt.
7	BLKTOUTINTR	Block Time-Out Interrupt 1 = The SCI has timed-out waiting for an expected character from the card. This time limit is programmed in BLKTIME. 0 = Interrupt cleared. When asserted, writing a 1 to this bit clears the interrupt.
6	ATRDOUTINTR	Answer-to-Reset Duration Time-Out Interrupt 1 = ATR message reception has exceeded the time limit programmed in ATRDTIME. 0 = Interrupt cleared. When asserted, writing a 1 to this bit clears the interrupt.
5	ATRSTOUTINTR	Answer-to-Reset Start Time-Out Interrupt 1 = The SCI has timed-out waiting for the start of an ATR message. This time limit is programmed in ATRSTIME 0 = Interrupt cleared. When asserted, writing a 1 to this bit clears the interrupt.
4	TXERRINTR	Transmit Error Interrupt 1 = A transmit parity error has occurred. For T = 0, the error remains after the maximum number of retries have been done. 0 = Interrupt cleared. When asserted, writing a 1 to this bit clears the interrupt.

Table 26-62. IIR/ICR Read/Write Register Bits

BITS	NAME	FUNCTION
3	CARDDNINTR	<p>Card Down Interrupt</p> <p>1 = The card is deactivated. 0 = Interrupt cleared.</p> <p>When asserted, writing a 1 to this bit clears the interrupt.</p>
2	CARDUPINTR	<p>Card Up Interrupt</p> <p>1 = The card is activated. 0 = Interrupt cleared.</p> <p>When asserted, writing a 1 to this bit clears the interrupt.</p>
1	CARDOUTINTR	<p>Card Out Interrupt</p> <p>1 = No card is present. 0 = Interrupt cleared.</p> <p>When asserted, writing a 1 to this bit clears the interrupt.</p>
0	CARDININTR	<p>Card Inserted Interrupt</p> <p>1 = A card is present. 0 = Interrupt cleared.</p> <p>When asserted, writing a 1 to this bit clears the interrupt.</p>

26.2.2.29 Control Register (CONTROL)

This register, defined in Table 26-63 and Table 26-64, specifies the pin multiplexing and SCI Reference Clock (SCIREFCLK) divisor, and enables the SCI. The Enable bit must be programmed to 1 prior to using MUX_Detect or MUX_VCCEN. GPIO pins are active until the Enable bit is set, which can cause unpredictable results.

Table 26-63. CONTROL Register

BIT	31	30	29	28	27	26	25	24	23	22	21	20	19	18	17	16
FIELD	///															
RESET	0	0	0	0	0	0	0	0	0	0	0	0	0	0	0	0
TYPE	RO	RO	RO	RO	RO	RO	RO	RO	RO	RO	RO	RO	RO	RO	RO	RO
BIT	15	14	13	12	11	10	9	8	7	6	5	4	3	2	1	0
FIELD	///										MUX_Detect	///			PREDIV	EN
RESET	0	0	0	0	0	0	0	0	0	0	0	0	0	0	0	0
TYPE	RO	RO	RO	RO	RO	RO	RO	RO	RO	RO	RW	RO	RO	RO	RW	RW
ADDR	0x8000.0370															

Table 26-64. CONTROL Fields

BITS	NAME	DESCRIPTION
31:6	///	Reserved Reading returns 0. Values written cannot be read.
5	MUX_Detect	Multiplex Detect Enable The SCDETECT signal (pin D8) is multiplexed with the GPIO Port F5 signal. 1 = Pin D8 configured for SCI operation. 0 = Pin D8 configured for GPIO operation.
4:2	///	Reserved Reading returns 0. Values written cannot be read.
1	PREDIV	Pre-Divisor Specifies the pre-divisor for the Reference Clock (SCIREFCLK): 1 = SCIREFCLK = HCLK/2 0 = SCIREFCLK = HCLK
0	EN	Enable 1 = Enables the Smart Card Interface. 0 = Disables the Smart Card Interface.

Chapter 27

Analog-to-Digital Converter/ Brownout Detector

The LH7A404 incorporates an analog-to-digital converter (ADC) that also implements a touch screen controller (TSC) and brownout detector with interrupt.

27.1 Theory of Operation

The ADC and TSC incorporate:

- 10-bit ADC with integrated sample and hold, and fully-differential high impedance signals, and single-ended or ratiometric reference inputs
- A 9-channel multiplexer that routes user-selected inputs to the ADC in single-ended and ratiometric modes
- A 16-entry × 16-bit wide FIFO that holds the 10-bit ADC output
- Input active matrix provides a bias-and-control network for touch screen interface and support functions, which are compatible with industry-standard 4-, 5-, 7-, and 8-wire touch-sensitive panels
- Pen-down sensing circuit and interrupt generator
- Independently-controlled voltage reference generator
- Conversion automation function to minimize controller interrupt overhead
- Three power modes: Off, Standby, and Run
- Brownout detector with interrupt
- Battery voltage monitor capability with control pin

Figure 27-1 shows a block diagram of the ADC.

27.1.1 Operational Summary

The ADC is an AMBA-compliant MCU peripheral that connects as a slave to the APB. The ADC block consists of an 9-channel, 10-bit Analog-to-Digital Converter with integrated Touch Screen Controller. The complete touch screen interface is achieved by combining the front-end biasing, control circuitry with analog-to-digital conversion, reference generation, and digital control.

The ADC has a bias-and-control network that allows correct operation with 4-, 5-, 7-, and 8-wire touch panels. A 16-entry × 16-bit wide FIFO holds a 10-bit ADC output and a 4-bit tag number.

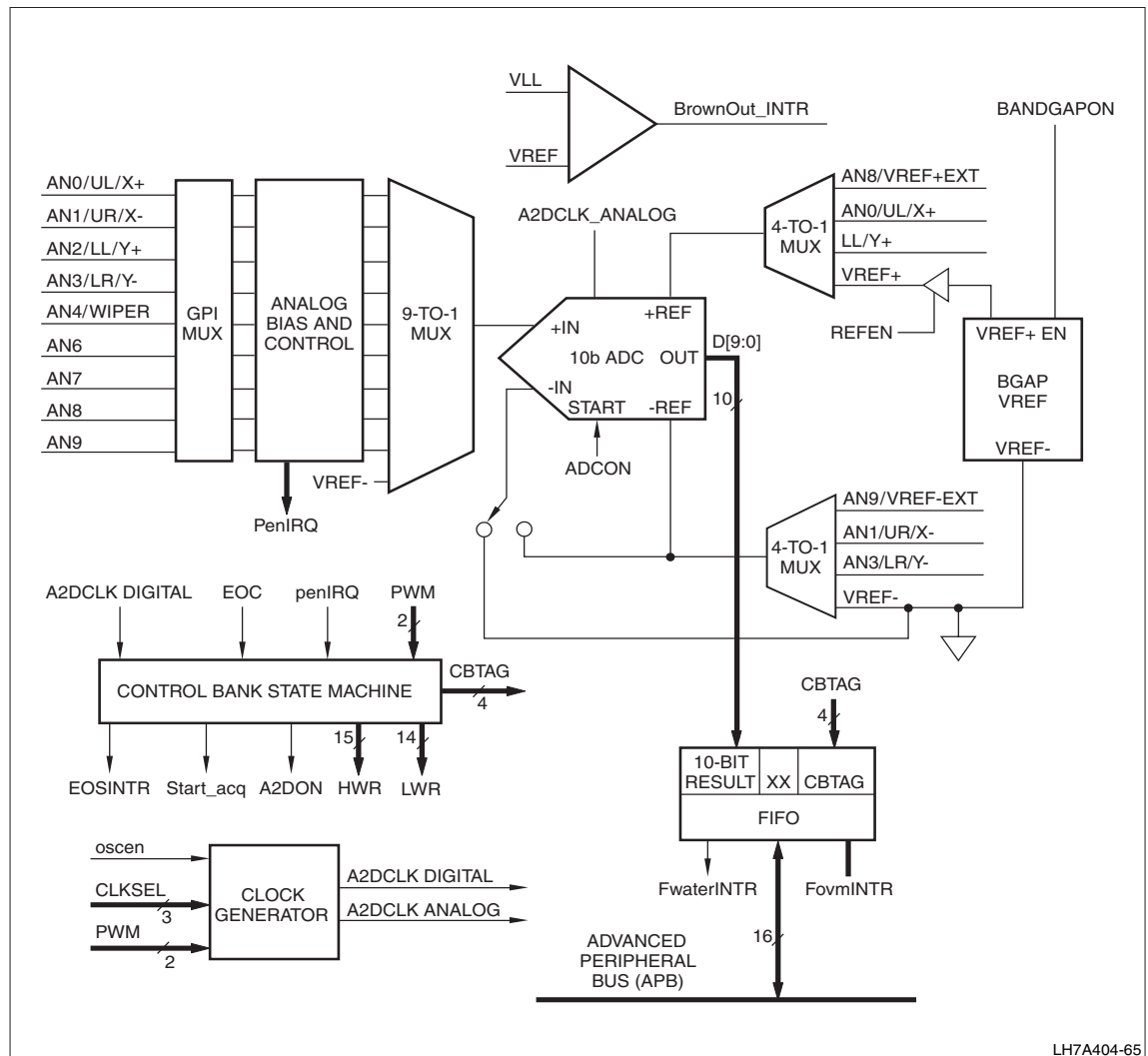


Figure 27-1. ADC Block Diagram

The ADC block can perform a sequence of measurements without intervention from the CPU. Examples include:

- Measure coordinates and touch pressure data from a four-wire touch screen
- Measure up to 9 independent sensors
- Measure battery voltage
- Combine up to 16 different measurements from these examples.

From 1 to 16 different measurements can be performed in a sequence. The number of steps in the sequence is stored in the PC Register.

The biasing switch configuration, settling time, and ADC multiplexer settings for each measurement in the sequence are stored in an entry in the Control Bank. The measurement sequence can be triggered by either software or a Pen Down Interrupt.

The Control Bank state machine fetches each entry from the Control Bank and stores it in the Low Word register (LW) and High Word register (HW) for the duration of the measurement. When the measurement is complete, the Control Bank state machine:

- Stores the ADC result and the Control Bank instruction number in the measurement FIFO.
- Obtains the next configuration from the Control Bank into LW and HW.

When all steps of the sequence are complete, or at a programmed FIFO watermark level, the Control Bank state machine can signal the CPU to read results from the FIFO.

From the FIFO, a program can read each measurement result and corresponding input configuration, as represented by the Control Bank instruction number. If the FIFO is full:

- The Control Bank state machine continues to take measurements; however all results are discarded until the FIFO is no longer full.
- The state machine triggers the FIFO overrun condition.

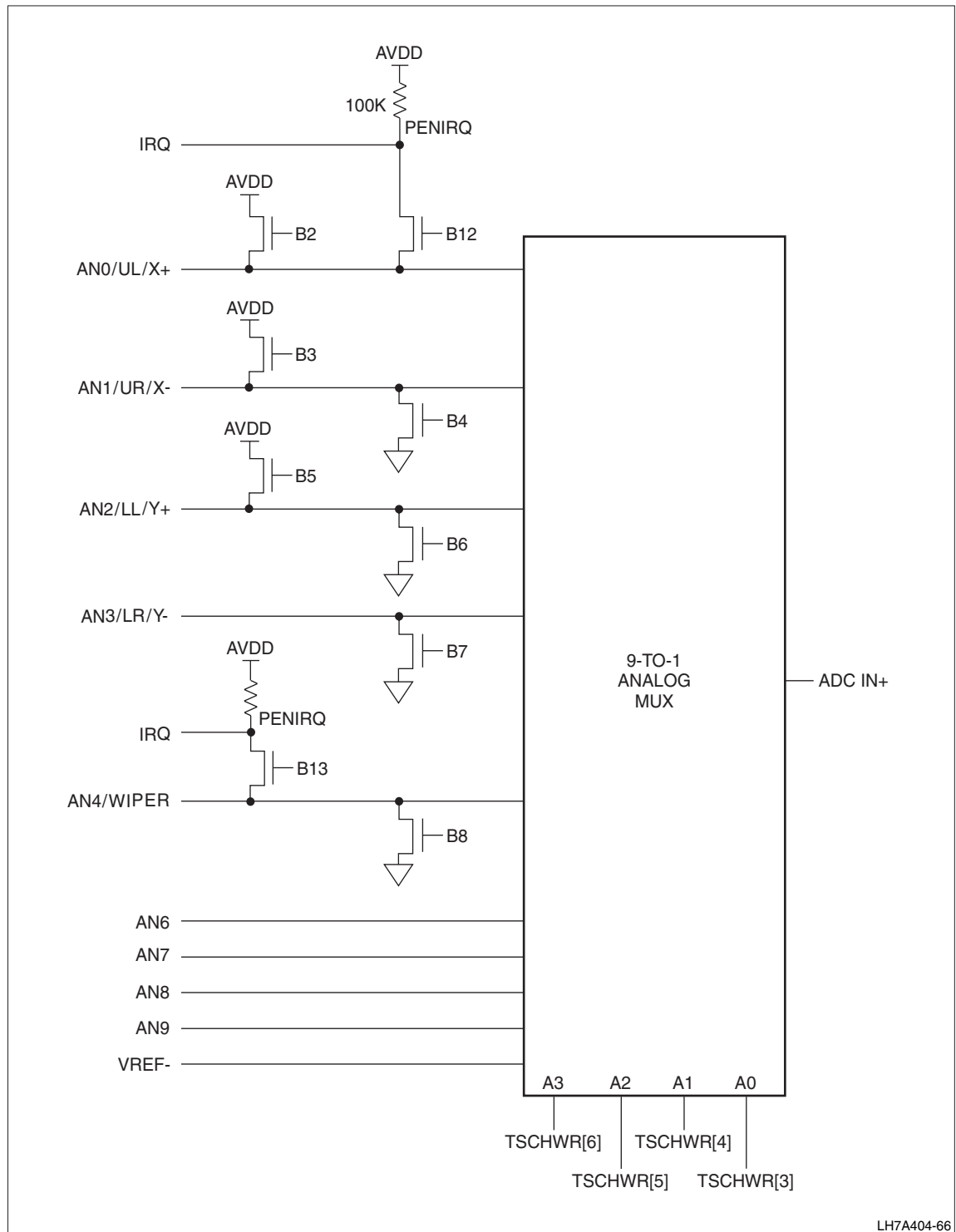
The ADC can be programmed to repeat the measurement sequence indefinitely, or to pause at the end of a sequence and wait for a new Pen Down Interrupt or software trigger. If the sequence does not repeat continuously, software programs the HW and LW registers with the contents of the Idle High Word (IHWCTRL) and Idle Low Word (ILWCTRL) register values with the bias and ADC multiplexer settings until a new measurement sequence is triggered.

27.1.2 Bias-and-Control Network

The bias-and-control network supports 4-, 5-, 7-, and 8-wire touch panels. Multiplexers on the reference inputs enable connection in both single-ended and ratiometric modes.

- For 4-wire operation, connection is to inputs AN/UL/X+, AN1/UR/X-, AN2/LL/Y+, and AN3/LR/Y-. Pull-up and pull-down FETs allow X and Y coordinate measurement in addition to pen-pressure sensing. The Pen Interrupt line is also available via the Interrupt Masking/Enabling register (see Section 27.2.2.4).
- For 5-wire operation, panel connections are to AN/UL/X+, AN1/UR/X-, AN2/LL/Y+, AN3/LR/Y-, and AN4/WIPER inputs. The Pen Interrupt line is also available in this mode.
- For 7-wire operation, connections are the same as the 5-wire touch panel with a second wire added to the Upper Left and Lower Right corners.
- For 8-wire operation, connections are the same as the 4-wire touch panel with a second wire added to each of the connections. This configuration also requires a single external MOSFET.

Details for wiring 4-, 5-, 7, and 8-wire touch panels appear in the application note 'Using the NXP ADC with Resistive Touch Screens', available at <http://www.nxp.com>.



LH7A404-66

Figure 27-2. Bias-and-Control Network Block Diagram

27.1.3 Clock Generator

The ADC has a programmable measurement clock derived from the 14.7456 MHz clock. The 14.7456 MHz clock is divided by 8 to derive the 1.8432 MHz ADC clock. The clock drives the measurement sequencer and the successive-approximation circuitry. Higher clock frequencies allow faster measurement throughput. Slower clock frequencies, on the other hand, can allow time for a measurement to settle and can reduce ADC power consumption. If the clock is too slow, the sample-and-hold amplifier on the ADC input may droop before the measurement is complete.

See Section 27.2.2.5 for clock-gating options and for information about programming the available clock frequencies.

27.1.4 Brownout Detector

The Brownout Detector asynchronously compares a divided version of the 3.3 V supply and a bandgap-derived reference voltage. If the supply dips below a Trip Point, the Brownout Detector sets a bit in the IS Register (see Section 27.2.2.8). The status bit is wired to the VIC and can interrupt the processor core. This allows the Host Controller to warn users of an impending shutdown and may provide the ADC with time to save its state.

NOTE: The Brownout Detector indicates a brownout condition on startup until the power mode of the ADC is set to Standby or Run. See Table 27-13.

27.1.5 Battery Control Feature

The battery control pin (BATCNTL) allows control of external battery circuits by the MCU. An external resistor divider allows monitoring the external battery voltage, as shown in Figure 27-3. External switches Q1 and Q2 connect the voltage divider to the battery. These switches are driven by the BATCNTL pin, which remains HIGH for the duration of the measurement. R1 and R2 should be chosen so that during normal operation (with BATCNTL LOW), the voltage at VBAT is somewhere within the common mode input range of the ADC. For example if the battery voltage is 6 V nominal, choose $R1 = 300 \text{ k}\Omega$ and $R2 = 100 \text{ k}\Omega$ to give $IN+ = 1.5 \text{ V}$ at a load of only $15 \mu\text{A}$ on the battery.

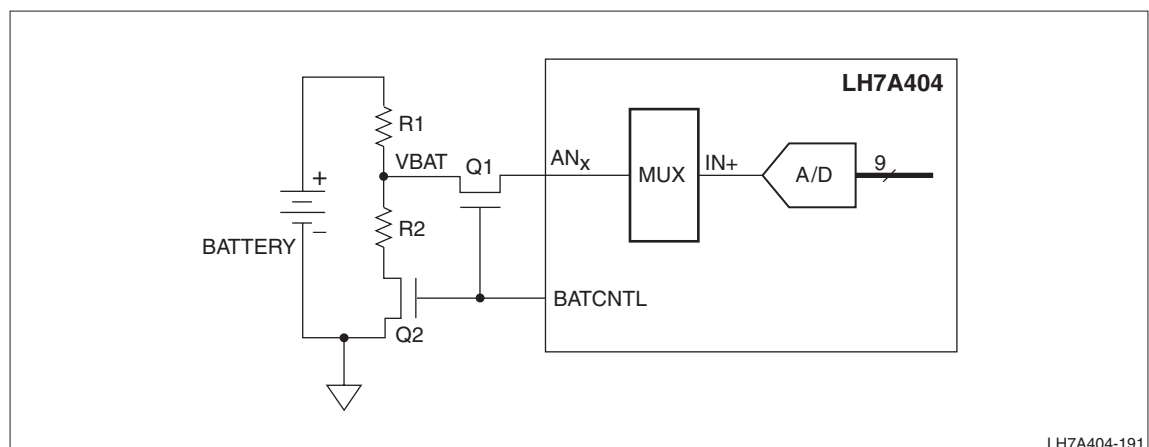


Figure 27-3. Use of the BATCNTL Pin

LH7A404-191

Note that the BATCNTL pin is *only* active when making the measurement on that particular ADC channel. All other times BATCNTL is LOW.

Software can easily configure the ADC for battery voltage measurement. Program the PC:BATLOC field to correspond to the channel to which the battery voltage measurement is connected. When HW:INP (the + Input Mux selection) equals the value in PC:BATLOC, the BATCNTL pin goes HIGH and loads the battery through the external switch as shown in Figure 27-3. In addition, PC:BATEN, the Battery Control Enable signal, must be programmed to 1. When the BATCNTL pin is not required to go HIGH, for example when the ADC is used in a general purpose application, PC:BATLOC should be programmed so that it will never equal any of the inputs that will be used in the application e.g. 0b1111. Also the PC:BATEN can be programmed to 0 to disable this function.

27.1.6 SAR Architecture

While there are various SAR implementations, the basic architecture is simple. Figure 27-4 shows this architecture.

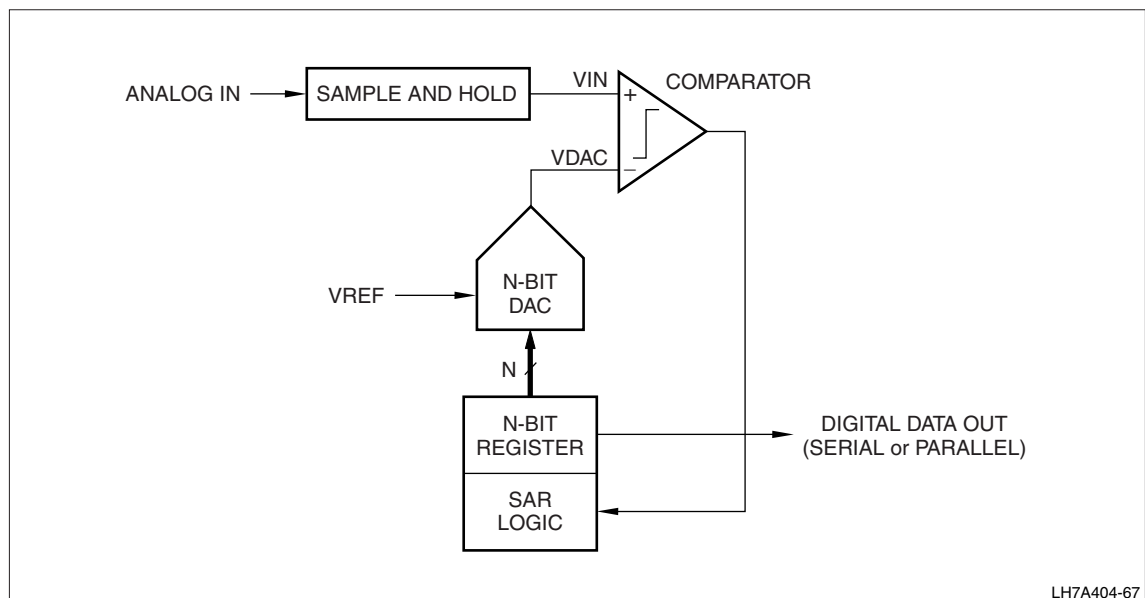


Figure 27-4. Simplified N-bit SAR Architecture

The analog input voltage (V_{IN}) is held with a sample-and-hold. The N-bit register is set to mid scale (100...0, where the most-significant bit is set to 1) to implement the binary search algorithm. This forces the DAC output (V_{DAC}) to be $V_{REF} \div 2$, where V_{REF} is the reference voltage provided to the DAC. Then a comparison is performed to determine whether V_{IN} is less than or greater than V_{DAC} :

- If V_{IN} is less than V_{DAC} , the comparator output is a logic LOW and the most-significant bit of the N-bit register is 0.
- If V_{IN} is greater than V_{DAC} , the comparator output is a logic HIGH and the most-significant bit of the N-bit register is to 1.

The SAR control logic then moves to the next bit down, forces it HIGH, and conducts another comparison. The logic repeats this sequence until it reaches the least-significant bit. When conversion is complete, the N-bit digital word is available in the register.

Figure 27-5 shows an example of a 4-bit conversion. In this figure, the y-axis and the bold line show the DAC output voltage. In this example:

1. The first comparison shows that $V_{IN} < V_{DAC}$. Consequently, bit [3] is set to 0. The DAC is then set to 0b0100 and the second comparison is conducted.
2. In the second comparison, $V_{IN} > V_{DAC}$, so bit [2] remains at 1. The DAC is then set to 0b0110 and the third comparison is conducted.
3. In the third comparison, bit [1] is set to 0 and the DAC is then set to 0b0101 for the last comparison.
4. In the final comparison, bit [0] remains at 1 because $V_{IN} > V_{DAC}$.

Four comparison periods are necessary for a 4-bit ADC. Generally, an N-bit SAR ADC requires N comparison periods and will not be ready for the next conversion until the current conversion is completed.

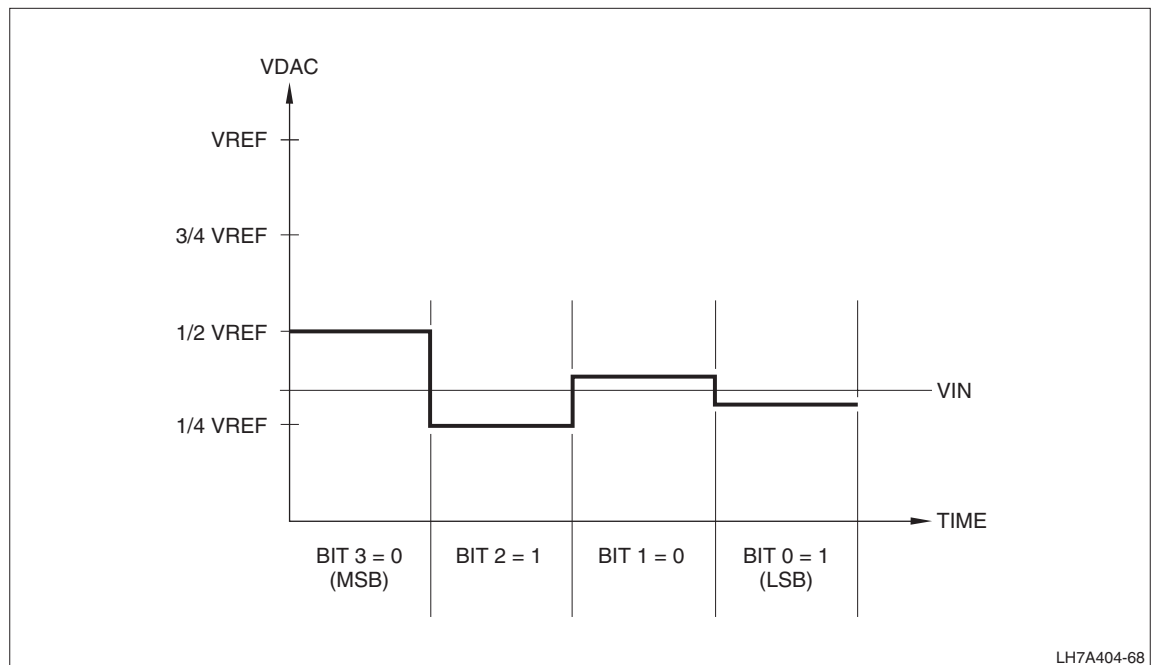


Figure 27-5. Example of a 4-bit SAR ADC Operation

LH7A404-68

27.1.7 Control Bank State Machine

This state machine is responsible for delivering data to the High Word (HW) and Low Word (LW) registers. These registers hold the data values for controlling the analog portion of the touch screen controller. In addition, the state machine delivers the tag number of the Control Bank for each conversion to the FIFO.

There are two conversion modes, depending on the settings of bits in the General Configuration register (GC). Continuous conversion begins when the Sequence Start Mode (SSM) bits in GC are set to 0b11. In continuous conversion mode, the state machine never becomes IDLE.

If SSM is not 0b11, the Pen Interrupt (PENIRQ) or the Start Sequence Bit (SSB) must be set to initiate another sequence of conversions. If the conversions are complete for a sequence and PENIRQ or SSB is not active, the state machine will return to the IDLE state and wait for the PENIRQ, the SSB, or SSM bits to be configured before beginning another conversion signal. After the programmed settling time, it takes 17 full A2DCLK cycles for 1 conversion to complete.

If the FIFO becomes full during a sequence, the state machine will function as normal, but further FIFO writes by A/D are blocked.

The state machine has four possible states:

- IDLE
 - Waiting for interrupt or SSB
 - Contents of the Idle High Word (IHWCTRL) and Idle Low Word (ILWCTRL) registers active in bias/control network
- GET_DATA
 - Data is retrieved from Control Bank and sent to appropriate registers
 - A/D converter instructed to begin acquiring data
- WAIT_CONV
 - Multiple clock cycle state — number of clock cycles in this state depends on acquisition time and conversion time
 - The state machine waits in this state until the A/D converter sends the end of conversion signal, which occurs when acquisition and conversion are complete
 - If Number of Conversions > 0, the state machine returns to the GET_DATA state and increments pointers to access new conversion data
- END_OF_SEQ
 - If in continuous conversion mode, go to GET_DATA state.
 - If not in continuous conversion mode, store data of the idle registers IHWCTRL and ILWCTRL in the registers HW and LW register.

27.1.8 Timing Formulas

The throughput-conversion time consists of 1 cycle of Get Data state plus 16 cycles of measurement state. Starting from the Idle state, the time for a complete measurement sequence, in clock cycles, is calculated as:

$$1\text{CIS} + \#\text{MS} \times (\text{TCT} + \#\text{STC}) + 1\text{CEOS}$$

where:

- 1CIS is one cycle in Idle state.
- #MS is the number of measurements in the sequence.
- TCT is the throughput conversion time of 17 cycles.
- #STC is the number of settling time cycles per measurement.
- 1CEOS is one cycle in the End of Sequence state.

This equals:

- Two cycles, plus
- The number of measurements in sequence times, plus
- The throughput conversion time (17 cycles), plus
- The number of settling time cycles per measurement.

27.1.9 Interrupts

The ADC has five interrupts:

- Brownout Interrupt (BROWNOUTINTR)
- Pen Interrupt (PENIRQ)
- End of Sequence Interrupt
- FIFO Watermark Interrupt
- FIFO Overrun Interrupt

All five interrupts are ORed together as the combined interrupt TSCIRQ, which is routed to the Vectored Interrupt Controller (VIC2). The separate Brownout interrupt is not part of this combined interrupt and is presented separately to VIC1.

Each of the five individual maskable interrupts is enabled or disabled by changing the mask bits in the Interrupt Mask (IM) Register (see Section 27.2.2.4). Software can read the interrupt status bits through the Interrupt Status (IS) Register, even if corresponding mask bits are set (see Section 27.2.2.8). Clearing the mask bits does not clear the interrupt status.

27.1.9.1 Brownout Interrupt

The Brownout Interrupt (BROWN) is asserted when the supply voltage goes below the trip-point voltage. This interrupt status is latched in the IS Register. It remains HIGH until the BOIC bit of the Interrupt Clear (IC) register is asserted. The instantaneous raw status of the Brownout is stored in the GS Register (see Section 27.2.2.7).

The Brownout Interrupt has its own dedicated output to the VIC and is the highest priority interrupt in the LH7A404.

NOTE: The latency between clearing the latched Brownout Interrupt and the time when it can be set again is one A2DCLK cycle. Polled systems should use the unlatched Brown-Out Raw Interrupt Status bit (bit [9]) in the GS register instead of the latched interrupt status in the IS register.

27.1.9.2 Pen Interrupt

The Pen Interrupt (PENIRQ) is enabled when the settings on the bias switches are switched to the Pen Interrupt Mode configuration and the ADC is set up to trigger a measurement on PENIRQ. The Pen Interrupt is used by the TSC to start the state machine. The state machine may begin a sequence of conversions, depending on the contents of the General Configuration (GC) register, when a Pen Interrupt occurs (see Section 27.2.2.6). PENIRQ is latched and remains HIGH until the PENIC bit of the Interrupt Clear (IC) register is asserted (see Section 27.2.2.14). The latched value of the Pen Interrupt is stored in the Interrupt Status register. The instantaneous raw status of the Pen Interrupt is stored in the General Status (GS) register (see Section 27.2.2.7).

NOTE: If a measurement sequence is configured to keep the Touch Screen biased for Pen detect on every measurement, PENIRQ is not generated on every sequence. If, on the other hand, the Pen detect circuit is disconnected, there will be an edge every time the system enters Idle state.

27.1.9.3 End-of-Sequence Interrupt

The End-of-Sequence Interrupt occurs after the programmed number of conversions (NOC) occurs. After the ADC converts all the data for a given sequence of conversions, this interrupt goes HIGH. The End-of-Sequence Interrupt is latched and remains HIGH until the EOSINTC bit of the IC Register is set.

27.1.9.4 FIFO Watermark Interrupt

The FIFO Watermark Interrupt occurs when the number of entries in the FIFO is greater than or equal to the programmed watermark level FIFOWMK (GC Register, bits [6:3]). This interrupt clears when the FIFO contents falls below the watermark level.

27.1.9.5 FIFO Overrun Interrupt

The FIFO Overrun Interrupt occurs when the receiving logic tries to place data into the FIFO after the FIFO has been completely filled, exceeding the FIFO's maximum capacity of 16 entries. The interrupt is cleared when the FIFO is read.

27.1.10 Application Details

An application note entitled 'Using the NXP ADC with Resistive Touch Screens' is available from NXP that provides more detailed application information dealing with use and programming of the LH7A404 ADC.

27.2 Register Reference

This section provides the register memory mapping and bit fields.

27.2.1 Memory Map

The base address for the ADC is 0x80001300. Table 27-1 summarizes the registers in the ADC. Detailed descriptions of the registers follow this table.

Table 27-1. ADC Register Summary

ADDRESS OFFSET	NAME	DESCRIPTION
0x00	HW	High Word Register
0x04	LW	Low Word Register
0x08	RR	Results Register
0x0C	IM	Interrupt Mask Register
0x10	PC	Power Configuration Register
0x14	GC	General Configuration Register
0x18	GS	General Status Register
0x1C	IS	Raw Interrupt Status Register
0x20	FS	FIFO Status Register
0x24 - 0x60	HWCB0 - HWCB15	High Word Control Bank Registers
0x64 - 0xA0	LWCB0 - LWCB15	Low Word Control Bank Registers
0xA4	IHWCTRL	Idle High Word Registers
0xA8	ILWCTRL	Idle Low Word Registers
0xAC	MIS	Masked Interrupt Status
0xB0	IC	Interrupt Clear Register

27.2.2 Register Descriptions

27.2.2.1 High Word Register (HW)

HW is the High Word register. This Read Only status register shows the contents of the current conversion's high word in the Control Bank (see Section 27.2.2.10). There is a one-to-one correspondence between the contents of the Control Bank high word and the contents of this register for the current conversion in progress.

Table 27-2. HW Register

BIT	31	30	29	28	27	26	25	24	23	22	21	20	19	18	17	16
FIELD	///															
RESET	0	0	0	0	0	0	0	0	0	0	0	0	0	0	0	0
RW	RO	RO	RO	RO	RO	RO	RO	RO	RO	RO	RO	RO	RO	RO	RO	RO
BIT	15	14	13	12	11	10	9	8	7	6	5	4	3	2	1	0
FIELD	SETTIME								INP				INM	REFP		
RESET	0	0	0	0	0	0	0	0	0	0	0	0	0	0	0	0
RW	RO	RO	RO	RO	RO	RO	RO	RO	RO	RO	RO	RO	RO	RO	RO	RO
ADDR	0x8000.1300															

Table 27-3. HW Fields

BITS	NAME	DESCRIPTION
31:16	///	Reserved Reading returns 0. Write the reset value.
15:7	SETTIME	<p>Settling Time Shows the number of clock cycles that the ADC allows for the input signal to settle to within required accuracy before beginning conversion. Used with bits [10:8] of the PC Register to set the acquire time in clock cycles (see Section 27.2.2.5).</p> <p>For example, A2DCLK = 1.8432 MHz (542.535 ns period) PC[10:8] = 010 (i.e., divide A2DCLK by 4) HW[15:7] = 000100000 (i.e., 32 cycles) Therefore, acquire time is 542.535 ns × 4 × 32 = 69.4 μs</p>
6:3	INP	In+ Mux Shows the signal connected to the positive input of the ADC. See Table 27-4.
2	INM	<p>In- Mux Shows the signal connected to the negative input of the ADC.</p> <p>1 = GND 0 = Ref- (output of the Ref- Mux)</p>
1:0	REFP	<p>Ref+ Mux Shows the signal connected to the positive reference of the ADC.</p> <p>00 = VREF+ (positive terminal of the internal bandgap reference) 01 = AN0/UL/X+ 10 = AN2/LL/Y+ 11 = AN8</p>

Table 27-4. In + Mux Definition

IN+	BIT6	BIT5	BIT4	BIT3
AN0/UL/X+	0	0	0	0
AN1/UR/X-	0	0	0	1
AN2/LL/Y+	0	0	1	0
AN3/LR/Y-	0	0	1	1
AN4/WIPER	0	1	0	0
RESERVED	0	1	0	1
AN6	0	1	1	0
AN7	0	1	1	1
AN8	1	0	0	0
AN9	1	0	0	1
VREF -	1	0	1	0
VREF -	1	0	1	1
VREF -	1	1	0	0
VREF -	1	1	0	1
VREF -	1	1	1	0
VREF -	1	1	1	1

27.2.2.2 Control Bank Low Word Register (LW)

LW is the Control Bank Low Word register. This Read Only status register displays the contents of the current conversion's low word in the Control Bank. There is a one-to-one correspondence between the contents of the Control Bank low word and the contents of this register for the current conversion in progress.

Table 27-5. LW Register

BIT	31	30	29	28	27	26	25	24	23	22	21	20	19	18	17	16
FIELD	///															
RESET	0	0	0	0	0	0	0	0	0	0	0	0	0	0	0	0
RW	RO	RO	RO	RO	RO	RO	RO	RO	RO	RO	RO	RO	RO	RO	RO	RO
BIT	15	14	13	12	11	10	9	8	7	6	5	4	3	2	1	0
FIELD	///		BIASCON												REFM	
RESET	0	0	0	0	0	0	0	0	0	0	0	0	0	0	0	0
RW	RO	RO	RO	RO	RO	RO	RO	RO	RO	RO	RO	RO	RO	RO	RO	RO
ADDR	0x8000.1304															

Table 27-6. LW Fields

BIT	NAME	DESCRIPTION
31:14	///	Reserved Reading returns 0. Write the reset value.
13:2	BIASCON	<p>Bias Control These bits turn the FETs on and off, as shown in Figure 27-2. The bit number corresponds to the FET number in the figure. IMPORTANT: bits 9-11 must always be written as 0b000. Writing a 1 to any of these three bits can cause unpredictable results.</p> <p>1 = FET on 0 = FET off</p>
1:0	REFM	<p>Ref- Mux Selects the signal connected to the negative reference of the ADC during Idle Mode.</p> <p>00 = VREF- (negative terminal of the internal bandgap reference). 01 = AN1/UR/X- 10 = AN3/LR/Y- 11 = AN9</p>

27.2.2.3 Results Register (RR)

RR is the Results register. This register contains the oldest entry of the 16-entry × 16-bit wide result FIFO. Its index in the FIFO's memory array is contained in the Read Pointer (RDPTR) bit field in the FIFO Status Register (see Section 27.2.2.9). This register contains the 10-bit ADC output and the 4-bit tag number from the Control Bank State Machine. When the FIFO is full, further data writes are temporarily blocked until at least one location is available for a write. Reading from RR removes the oldest entry from the result FIFO and increments the RDPTR.

Table 27-7. RR Register

BIT	31	30	29	28	27	26	25	24	23	22	21	20	19	18	17	16
FIELD	///															
RESET	0	0	0	0	0	0	0	0	0	0	0	0	0	0	0	0
RW	RO	RO	RO	RO	RO	RO	RO	RO	RO	RO	RO	RO	RO	RO	RO	RO
BIT	15	14	13	12	11	10	9	8	7	6	5	4	3	2	1	0
FIELD	ADCOUT										///		CBTAG			
RESET	0	0	0	0	0	0	0	0	0	0	0	0	0	0	0	0
RW	RO	RO	RO	RO	RO	RO	RO	RO	RO	RO	RO	RO	RO	RO	RO	RO
ADDR	0x8000.1308															

Table 27-8. RR Fields

BIT	NAME	DESCRIPTION
31:16	///	Reserved Reading returns 0. Write the reset value.
15:6	ADCOUT	ADC Converter Output Specifies the 10-bit digital output of the ADC converter.
5:4	///	Reserved Reading returns 0. Write the reset value.
3:0	CBTAG	Control Bank Tag Specifies the entry number (HWCBx or LWCBx) of the Control bank. The entry number (x) ranges from 0 to 15, corresponding to the conversion associated with the bit result.

27.2.2.4 Interrupt Mask Register (IM)

IM is the Interrupt Masking/Enabling register. The active bits used in this register are Read/Write and enable the interrupts. Software can read the status of the interrupt bits through the IS Register (described in Section 27.2.2.8), even if corresponding mask bits are set in this register. The Brown Out enable is unique in that the Brown Out Interrupt can be programmed to be either part of the combined TSCIRQ, presented to VIC2, or an independent interrupt presented to VIC1. That programming is done in this register. Current interrupt mask configuration can be read from this register. Writing a 0 to an IM bit does not clear the latched interrupt status in the IS register. The IS register is logically ANDed with the IM register to create the contents of the Masked Interrupt Status (MIS) register.

Table 27-9. IM Register

BIT	31	30	29	28	27	26	25	24	23	22	21	20	19	18	17	16	
FIELD	///																
RESET	0	0	0	0	0	0	0	0	0	0	0	0	0	0	0	0	
RW	RO	RO	RO	RO	RO	RO	RO	RO	RO	RO	RO	RO	RO	RO	RO	RO	
BIT	15	14	13	12	11	10	9	8	7	6	5	4	3	2	1	0	
FIELD	///										INTEN	BOSEP	BOIRQ	PMSK	EOSMSK	FWMSK	FOMSK
RESET	0	0	0	0	0	0	0	0	0	0	0	0	0	0	0	0	
RW	RO	RO	RO	RO	RO	RO	RO	RO	RO	RW	RW	RW	RW	RW	RW	RW	
ADDR	0x8000.130C																

Table 27-10. IM Fields

BIT	NAME	DESCRIPTION
31:7	///	Reserved Reading returns 0. Write the reset value.
6	INTEN	Interrupt Enable 1 = Global IRQ interrupts enabled 0 = Global IRQ interrupts masked
5	BOSEP	Brown Out Separate Enable Enabling this bit allows the brownout detector to generate an interrupt request to the BROWN input of VIC1, independently of the combined TSCINTR interrupt. This is the highest priority interrupt on the LH7A404. 1 = Enable Brown Out interrupt to VIC1 0 = Disable Brown Out interrupt to VIC1
4	BOIRQ	Brown Out IRQ Enable Enabling this bit allows the brownout detector to generate an interrupt request as part of the combined TSCINTR input of the secondary VIC2. 1 = Enable Brown Out IRQ to VIC2 0 = Disable Brown Out IRQ to VIC2
3	PMSK	Pen IRQ Interrupt Enable 1 = Pen IRQ enabled 0 = Pen IRQ masked
2	EOSMSK	End-of-Sequence Interrupt Enable 1 = EOS IRQ enabled 0 = EOS IRQ masked
1	FWMSK	FIFO Watermark Interrupt Enable 1 = FIFO Watermark IRQ enabled 0 = FIFO Watermark IRQ masked
0	FOMSK	FIFO Overrun Interrupt Enable 1 = FIFO Overrun IRQ enabled 0 = FIFO Overrun IRQ masked

27.2.2.5 Power Configuration Register (PC)

PC is the Power Configuration register. In this register, the clock divider bits are programmed to set the divider of the system clock for analog operation (A2DCLK). Program bits [3:0] to select the number of conversions in the sequence.

NOTE: Allow two A2DCLK cycles between successive write cycles to this register. Otherwise, ADC behavior can become erratic.

Table 27-11. PC Register

BIT	31	30	29	28	27	26	25	24	23	22	21	20	19	18	17	16
FIELD	///															
RESET	0	0	0	0	0	0	0	0	0	0	0	0	0	0	0	0
RW	RO	RO	RO	RO	RO	RO	RO	RO	RO	RO	RO	RO	RO	RO	RO	RO
BIT	15	14	13	12	11	10	9	8	7	6	5	4	3	2	1	0
FIELD	BATLOC				CLKSEL				PWM		REFEN	BATEN	NOC			
RESET	0	0	0	0	0	0	0	0	0	0	0	0	0	0	0	0
RW	RW	RW	RW	RW	RW	RW	RW	RW	RW	RW	RW	RW	RW	RW	RW	RW
ADDR	0x8000.1310															

Table 27-12. PC Fields

BIT	NAME	DESCRIPTION
31:11	///	Reserved Reading returns 0. Write the reset value.
14:11	BATLOC	<p>Battery Measurement Location Program this field with the Channel number corresponding to the location programmed into the HW:INP field for battery measurement. When PC:BATLOC = HW:INP, the output pin BATCNTL goes HIGH. At all other times, the BATCNTL pin is LOW.</p> <p>To disable toggling the BATCNTL pin, program these bits to a value that will never appear in HW:INP, for example 0b1111.</p>
10:8	CLKSEL	<p>Clock Select</p> <p>000 = Touch Screen Controller Clock (TSCCLK) (nominally 1.8432 MHz) 001 = TSCCLK/2 010 = TSCCLK/4 011 = TSCCLK/8 100 = TSCCLK/16 101 = TSCCLK/32 110 = TSCCLK/64 111 = TSCCLK/128</p>
7:6	PWM	<p>Touch Screen Controller Power Mode</p> <p>00 = Turns off Power Mode and clock; sets the BROWNOUT field (bit [9]) of the GS Register, indicating that a brownout is detected, even if VDDA_ADC is at the correct voltage. 01 = Standby (wake on SSB or Pen Interrupt, convert, return); clears the BROWNOUT field (bit [9]) of the GS Register, even if VDDA_ADC is at the correct voltage. 10 = Run (always on); clears the BROWNOUT field (bit [9]) of the GS Register, even if VDDA_ADC is at the correct voltage. 11 = Turns off Power Mode and clock; sets the BROWNOUT field (bit [9]) of the GS Register, indicating that a brownout is detected, even if VDDA_ADC is at the correct voltage.</p> <p>The PWM field also affects the status of the A2DCLK signal, Band Gap, and A2D signal (see Table 27-13).</p>

Table 27-12. PC Fields

BIT	NAME	DESCRIPTION
5	REFEN	Reference Enable Enables the internal reference buffer so that the ADC can use the on-chip reference as the positive reference. See Figure 27-1 for a block diagram. 1 = Enable 0 = Disable
4	BATEN	Battery Control Enable 1 = Battery Control Logic Enabled 0 = Battery Control Logic Disabled
3:0	NOC	Number of Conversions (NOC) in Sequence Specifies the number of conversions. NOC = (Actual conversions – 1). The actual number of conversions ranges from 1 to 16.

Table 27-13. Touch Screen Controller Power Modes

PWM BIT VALUES	nIDLE	A2DCLK ENABLE	BANDGAPON	ADCON
00	0	0	0	0
00	1	0	0	0
01	0	0	1	0
01	1	1	1	1
10	0	0	1	1
10	1	1	1	1
11	0	0	0	0
11	1	0	0	0

NOTE: nIDLE refers to whether the state machine is in the Idle state:
1 = Control Bank State Machine is in a state other than the Idle state
0 = Control Bank State Machine is in the Idle state

A2DCLK ENABLE refers to whether the A2DCLK signal is enabled:
1 = Enables the A2DCLK to the analog circuitry
0 = Disables the A2DCLK to the analog circuitry (The clock is always enabled to the digital circuitry.)

BANDGAPON refers to whether Band Gap is turned on (required for the Brownout Detector):
0 = Turns off the Band Gap, disabling the Brownout Detector.
1 = Turns on the Band Gap. This setting is required for the Brownout Detector to work.

ADCON refers to whether the analog circuitry is enabled for the ADC:
1 = Enables the analog circuitry for the ADC
0 = Disables the analog circuitry for the ADC

27.2.2.6 General Configuration Register (GC)

GC is the General Configuration register. The active bits used in this register are Read/Write.

In this register, the SSM signal triggers the state machine to retrieve the data from the Control Bank and store it in the appropriate registers for the ADC. If the SSM bits are set to 11 at the end of a sequence, the state machine continues to convert data.

If the SSM bits are set to 10 and a value of 0b0000110 is written to the GC Register, the EOS_UM bit (bit [2]) of the Interrupt Status Register may never get set. This is normal operation. To accommodate this, wait two A2DCLK periods after setting the SSM bit to 10 before setting the SSB bit.

NOTE: Allow two A2DCLK cycles between successive write cycles to this register. Otherwise, ADC behavior can become erratic.

Table 27-14. GC Register

BIT	31	30	29	28	27	26	25	24	23	22	21	20	19	18	17	16
FIELD	///															
RESET	0	0	0	0	0	0	0	0	0	0	0	0	0	0	0	0
RW	RO	RO	RO	RO	RO	RO	RO	RO	RO	RO	RO	RO	RO	RO	RO	RO
BIT	15	14	13	12	11	10	9	8	7	6	5	4	3	2	1	0
FIELD	///									FIFOWMK			SSB	SSM		
RESET	0	0	0	0	0	0	0	0	0	0	0	1	0	0	0	0
RW	RO	RO	RO	RO	RO	RO	RO	RO	RO	RW	RW	RW	RW	RW	RW	RW
ADDR	0x8000.1314															

Table 27-15. GC Fields

BIT	NAME	DESCRIPTION
31:7	///	Reserved Reading returns 0. Write the reset value.
6:3	FIFOWMK	FIFO Watermark Programmed to values between 0 and 15. This value corresponds to watermark levels between 1 and 16, respectively. When the FIFO fills to the programmed level, an interrupt is generated.
2	SSB	Start Sequence Bit 1 = SSB will start the conversion sequence 0 = SSB will not start the conversion sequence
1:0	SSM	Sequence Start Mode 00 = SSB or Pen Interrupt starts new conversions 01 = Pen Interrupt starts new conversions 10 = SSB starts new conversions 11 = Continuous conversions To trigger continuous conversions, set these bits to '11', wait two A2DCLK periods, then set the SSB bit to '1'. Thereafter, once any conversions occur and SSM is set to '00' to stop the conversions, conversions can be started again by setting SSM to '11', without having to set SSB. Note that the Pen Interrupt can only be used when the ADC is configured to start on Pen Down. For more information, see Section 27.2.2.7.

27.2.2.7 General Status Register (GS)

GS is the General Status register. In this Read Only register, the 4-bit signal CBSTATE field shows the current state of the Control Bank state machine. The CBTAG signal contains the Control Bank entry number of the conversion that is taking place. The BROWNOUT and PENIRQ values are the instantaneous raw values of these interrupts; they are not latched. Latched values appear in the IS register.

Table 27-16. GS Register

BIT	31	30	29	28	27	26	25	24	23	22	21	20	19	18	17	16
FIELD	///															
RESET	0	0	0	0	0	0	0	0	0	0	0	0	0	0	0	0
RW	RO	RO	RO	RO	RO	RO	RO	RO	RO	RO	RO	RO	RO	RO	RO	RO
BIT	15	14	13	12	11	10	9	8	7	6	5	4	3	2	1	0
FIELD	///						BROWNOUT	PENIRQ	CBSTATE				CBTAG			
RESET	0	0	0	0	0	0	1	0	0	0	0	1	0	0	0	0
RW	RO	RO	RO	RO	RO	RO	RO	RO	RO	RO	RO	RO	RO	RO	RO	RO
ADDR	0x8000.1318															

Table 27-17. GS Fields

BIT	NAME	DESCRIPTION
31:10	///	Reserved Reading returns 0. Write the reset value.
9	BROWNOUT	Brown-Out Raw Interrupt Status 1 = Brown-out Interrupt is active. 0 = Brown-out Interrupt is not active.
8	PENIRQ	Pen IRQ Raw Interrupt Status* 1 = Pen IRQ Interrupt is active. 0 = Pen IRQ Interrupt is not active.
7:4	CBSTATE	Control Bank State Machine Status The only valid values are: 0001 = Idle state; waiting for sequence start trigger 0010 = GET_DATA state 0100 = WAIT_CONV state 1000 = END_OF_SEQ state
3:0	CBTAG	Current Conversion Tag Number Contains the current conversion tag number.

NOTE: *If the Idle state is configured to bias a 4-wire Touch Screen for Pen IRQ detect, the PENIRQ bit is only set during the one A2DCLK period of the GET_DATA state. To determine if the pen has been down at all, examine the IS:PENSYNC_UM bit. To determine if the pen was down at both the start and the end of a measurement sequence, use analog measurements of the pen IRQ voltage at the beginning and the end of the sequence.

27.2.2.8 Raw Interrupt Status Register (IS)

IS is the Interrupt Status register. This Read Only register provides the unmasked value of each interrupt. The BROWNOUT, PENSYNC, and EOS interrupts are latched and must be cleared by writing to the Interrupt Clear (IC) register. The FWATER and FOVRN interrupts are cleared when the contents of the FIFO no longer exceed their thresholds.

Table 27-18. IS Register

BIT	31	30	29	28	27	26	25	24	23	22	21	20	19	18	17	16	
FIELD	///																
RESET	0	0	0	0	0	0	0	0	0	0	0	0	0	0	0	0	
RW	RO	RO	RO	RO	RO	RO	RO	RO	RO	RO	RO	RO	RO	RO	RO	RO	
BIT	15	14	13	12	11	10	9	8	7	6	5	4	3	2	1	0	
FIELD	///												BROWNOUT_UM	PENSYNC_UM	EOS_UM	FWATER_UM	FOVRN_UM
RESET	0	0	0	0	0	0	0	0	0	0	0	0	1	0	0	0	
RW	RO	RO	RO	RO	RO	RO	RO	RO	RO	RO	RO	RO	RO	RO	RO	RO	
ADDR	0x8000.131C																

Table 27-19. IS Fields

BIT	NAME	DESCRIPTION
31:5	///	Reserved Reading returns 0. Write the reset value.
4	BROWNOUT_UM	Unmasked Brown-Out Interrupt Status 1 = Brown-out Interrupt is active. 0 = Brown-out Interrupt is not active.
3	PENSYNC_UM	Unmasked Pen Interrupt Status 1 = Pen Interrupt is active 0 = Pen Interrupt is not active.
2	EOS_UM	Unmasked End-of-Sequence Interrupt Active 1 = EOC Interrupt is active. 0 = EOC Interrupt is not active.
1	FWATER_UM	Unmasked FIFO Watermark Interrupt Active 1 = FIFO Watermark Interrupt is active. 0 = FIFO Watermark Interrupt is not active.
0	FOVRN_UM	Unmasked FIFO Overrun Interrupt Active 1 = FIFO Overrun Interrupt is active. 0 = FIFO Overrun Interrupt is not active.

27.2.2.9 FIFO Status Register (FS)

FS is the FIFO Status register. This Read Only register indicates the FIFO fill status.

Table 27-20. FS Register

BIT	31	30	29	28	27	26	25	24	23	22	21	20	19	18	17	16
FIELD	///															
RESET	0	0	0	0	0	0	0	0	0	0	0	0	0	0	0	0
RW	RO	RO	RO	RO	RO	RO	RO	RO	RO	RO	RO	RO	RO	RO	RO	RO
BIT	15	14	13	12	11	10	9	8	7	6	5	4	3	2	1	0
FIELD	///				WRPTR				RDPTR				FFF	FEMPTY	FOVRNDET	FGTEWATERMRK
RESET	0	0	0	0	0	0	0	0	0	0	0	0	0	1	0	0
RW	RO	RO	RO	RO	RO	RO	RO	RO	RO	RO	RO	RO	RO	RO	RO	RO
ADDR	0x8000.1320															

Table 27-21. FS Fields

BIT	NAME	DESCRIPTION
31:12	///	Reserved Reading returns 0. Write the reset value.
11:8	WRPTR	Write Pointer FIFO Location Contains the index of the memory location in the result FIFO array where the next measurement result will be stored.
7:4	RDPTR	Read Pointer FIFO Location Contains the index of the memory location in the result FIFO array where the next measurement result will be read. Reads from the RR register increment this value.
3	FFF	FIFO Full 1 = FIFO is full 0 = FIFO is not full
2	FEMPTY	FIFO Empty 1 = FIFO is empty 0 = FIFO is not empty
1	FOVRNDET	FIFO Overrun Status Bit Set when the receive logic tries to place data into the FIFO after it has been completely filled. When new data is received, the FOVRNDET bit is asserted and the newly received data is discarded. This process repeats for each time new data is received, until at least one empty FIFO entry exists. When FOVRNDET is set, an interrupt request is generated. 1 = Logic tried to place data into a full receive FIFO and is requesting an interrupt 0 = FIFO has not experienced an overrun
0	FGTEWATERMRK	FIFO at Watermark 1 = FIFO is at or above watermark level 0 = FIFO has fewer entries than watermark level

27.2.2.10 Control Bank Registers

The Control Bank is a set of 32 16-bit registers. The contents of the registers controls the switches for the A/D converter. These registers are typically configured once at startup, dictated by the physical system.

HWCTRLB0 (Tag 0000 of the High Word Control Bank) contains 16 bits of data for the 4WX (4 wire touch screen, X direction) conversion. The remaining 14 bits of data for the 4WX conversion is in LWCTRLB0 (Tag number 0000 of the Low Word Control Bank). Bits 15 and 14 of the low words are reserved and read as zero. The same logic is used for 4WY (4 wire touch screen, Y direction).

At the end of any given conversion, a 4-digit tag number is stored in the FIFO along with the corresponding 10-bit output of the A/D.

For internal access into the Control Bank, the data writes to the registers from the APB data bus. Each entry is a 16-bit register, with its own address space. More details, and examples can be found the NXP's Application Note 'Using the NXP ADC with Resistive Touch Screens', available at:
<http://www.nxp.com>.

27.2.2.11 Idle High Word Register (IHWCTRL)

IHWCTRL is the high word of the Idle register. The active bits used in this register are Read/Write.

This register specifies the idle setting time and the inputs connected to the ADC during the Idle state. This register is used with the ILWCTRL Register (see Section 27.2.2.12).

Table 27-22. IHWCTRL Register

BIT	31	30	29	28	27	26	25	24	23	22	21	20	19	18	17	16
FIELD	///															
RESET	0	0	0	0	0	0	0	0	0	0	0	0	0	0	0	0
RW	RO	RO	RO	RO	RO	RO	RO	RO	RO	RO	RO	RO	RO	RO	RO	RO
BIT	15	14	13	12	11	10	9	8	7	6	5	4	3	2	1	0
FIELD	SETTIME_ID								INP_ID				INM_ID	REFP_ID		
RESET	0	0	0	0	0	0	0	0	0	0	0	0	0	0	0	0
RW	RW	RW	RW	RW	RW	RW	RW	RW	RW	RW	RW	RW	RW	RW	RW	RW
ADDR	0x8000.13A4															

Table 27-23. IHWCTRL Fields

BIT	NAME	DESCRIPTION
31:16	///	Reserved Reading returns 0. Write the reset value.
15:7	SETTIME_ID	Idle Settling Time Specifies the delay, in ADC clock cycles, from when the state machine enters the Idle state to when the Pen Interrupt signal can be activated. Prevents spurious trigger of Pen Interrupt while analog signals set up by the IDLE Register are settling.
6:3	INP_ID	Idle In+ Mux Specifies the connection to the positive input of the ADC during Idle Mode. See Table 27-4.
2	INM_ID	Idle In- Mux Specifies the connection to the negative input of the ADC during Idle Mode. 1 = GND 0 = Ref-
1:0	REFP_ID	Idle Ref+ Mux Specifies the connection to the positive reference of the ADC during Idle Mode. 00 = VREF+ 01 = AN0/UL/X+ 10 = AN2/LL/Y+ 11 = AN8

27.2.2.12 Idle Low Word Register (ILWCTRL)

ILWCTRL is the low word of the Idle register. The active bits used in this register are Read/Write.

This register specifies the inputs connected to the ADC during the Idle state. This register is used with the IHWCTRL Register (see Section 27.2.2.11).

Table 27-24. ILWCTRL Register

BIT	31	30	29	28	27	26	25	24	23	22	21	20	19	18	17	16
FIELD	///															
RESET	0	0	0	0	0	0	0	0	0	0	0	0	0	0	0	0
RW	RO	RO	RO	RO	RO	RO	RO	RO	RO	RO	RO	RO	RO	RO	RO	RO
BIT	15	14	13	12	11	10	9	8	7	6	5	4	3	2	1	0
FIELD	///		BIASCON_ID											REFM_ID		
RESET	0	0	0	0	0	0	0	0	0	0	0	0	0	0	0	0
RW	RO	RO	RW	RW	RW	RW	RW	RW	RW	RW	RW	RW	RW	RW	RW	RW
ADDR	0x8000.13A8															

Table 27-25. ILWCTRL Fields

BIT	NAME	DESCRIPTION
31:14	///	Reserved Reading returns 0. Write the reset value.
13:2	BIASCON_ID	Idle Bias Control These bits turn the FETs on and off, as shown in Figure 27-2. The bit number corresponds to the FET number in the figure. 1 = FET on 0 = FET off
1:0	REFM_ID	Idle Ref- Mux Specifies the connection to the negative reference of the ADC during Idle Mode. 00 = VREF- 01 = AN1/UR/X- 10 = AN3/LR/Y- 11 = AN9

IMPORTANT: Bits 9-11 must always be written as 0b000. Writing a 1 to any of these three bits can cause unpredictable results.

27.2.2.13 Masked Interrupt Status Register (MIS)

MIS is the Masked Interrupt Status register. This Read Only register gives the masked value of each interrupt. The BROWNOUT, PENSYNCR, and EOS interrupts are latched and must be cleared by writing to the Interrupt Clear (IC) register. The FWATER and FOVRN interrupts are cleared when the contents of the FIFO no longer exceed their thresholds.

Table 27-26. MIS Register

BIT	31	30	29	28	27	26	25	24	23	22	21	20	19	18	17	16	
FIELD	///																
RESET	0	0	0	0	0	0	0	0	0	0	0	0	0	0	0	0	
RW	RO	RO	RO	RO	RO	RO	RO	RO	RO	RO	RO	RO	RO	RO	RO	RO	
BIT	15	14	13	12	11	10	9	8	7	6	5	4	3	2	1	0	
FIELD	///												BROWNOUT	PENSYNCR	EOSINTR	FWATERINTR	FOVRNINTR
RESET	0	0	0	0	0	0	0	0	0	0	0	0	0	0	0	0	
RW	RO	RO	RO	RO	RO	RO	RO	RO	RO	RO	RO	RO	RO	RO	RO	RO	
ADDR	00x8000.13AC																

Table 27-27. MIS Fields

BIT	NAME	DESCRIPTION
31:5	///	Reserved Reading returns 0. Write the reset value.
4	BROWNOUT	Brown-Out Interrupt Status 1 = Brown-out Interrupt is asserted. 0 = Brown-out Interrupt is not active or not enabled.
3	PENSYNCR	Pen Interrupt Status 1 = Pen Interrupt is asserted. 0 = Pen Interrupt is not active or not enabled.
2	EOSINTR	End-of-Sequence Interrupt Active 1 = EOS Interrupt is asserted. 0 = EOS Interrupt is not active or not enabled.
1	FWATERINTR	FIFO Watermark Interrupt Active 1 = FIFO Watermark Interrupt is asserted. 0 = FIFO Watermark Interrupt is not active or not enabled.
0	FOVRNINTR	FIFO Overrun Interrupt Active 1 = FIFO Overrun Interrupt is asserted. 0 = FIFO Overrun Interrupt is not active or not enabled.

27.2.2.14 Interrupt Clear Register (IC)

IC is the Interrupt Clear register. Bits [2:0] of this Write Only register correspond to the three latched interrupts:

- Writing a 1 to a bit clears the corresponding interrupt.
- Writing a 0 to a bit has no effect.

This register is self-clearing; therefore, the Clear signal lasts one cycle of the system clock.

Table 27-28. IC Register

BIT	31	30	29	28	27	26	25	24	23	22	21	20	19	18	17	16
FIELD	///															
RESET	—	—	—	—	—	—	—	—	—	—	—	—	—	—	—	—
RW	WO	WO	WO	WO	WO	WO	WO	WO	WO	WO	WO	WO	WO	WO	WO	WO
BIT	15	14	13	12	11	10	9	8	7	6	5	4	3	2	1	0
FIELD	///													BOIC	PENIC	EOSINTC
RESET	—	—	—	—	—	—	—	—	—	—	—	—	—	—	—	—
RW	WO	WO	WO	WO	WO	WO	WO	WO	WO	WO	WO	WO	WO	WO	WO	WO
ADDR	0x8000.13B0															

NOTE: The reset value of this register's bits is indeterminate.

Table 27-29. IC Fields

BITS	NAME	DESCRIPTION
31:3	///	Reserved Reading returns 0. Write the reset value.
2	BOIC	Brown-Out Interrupt Clear 1 = Clears BROWNOUTINTR. 0 = Do not clear BROWNOUTINTR
1	PENIC	Pen Interrupt Clear 1 = Clears PENSYNCR 0 = Do not clear PENSYNCR
0	EOSINTC	End of Sequence Interrupt Clear 1 = Clears EOSINTR 0 = Do not clear EOSINTR

Chapter 28

Keyboard and Mouse Interface

The LH7A404 Keyboard and Mouse Interface (KMI) implements a standard IBM PS2 or AT-compatible keyboard and mouse interface. Communications with the KMI can be initiated via either polling or interrupts.

The KMI has the following features:

- Complies with the AMBA Specification (Rev 2.0)
- IBM PS/2 and AT-compatible keyboard and mouse interface
- Half-duplex bidirectional synchronous serial interface using open-drain outputs for clock and data
- Programmable 4-bit reference clock divider
- Operation in polled or interrupt-driven mode
- Separately maskable transmit and receive interrupts
- Single, combined interrupt output
- Odd parity generation and checking
 - If an even number of data bits is set to 1, the parity bit is HIGH.
 - If an odd number of data bits is set to 1 the parity bit is LOW.
- Register bits for override of keyboard clock and data lines.

28.1 Theory of Operation

The KMI handles all the logic and clocking for communications between the LH7A404 and a keyboard and/or mouse. The KMI block diagram appears in Figure 28-1. The major functional blocks are described in the subsequent sections.

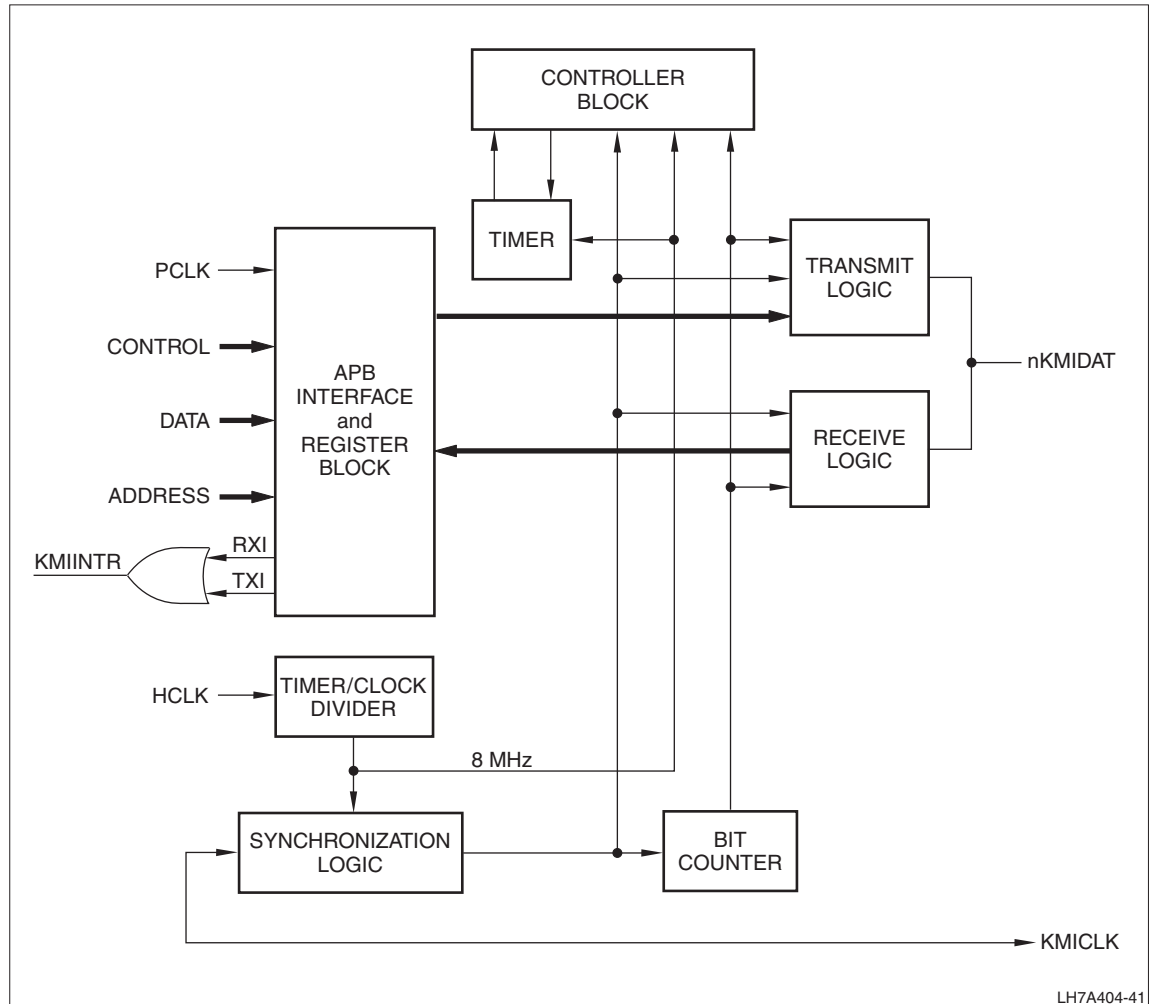


Figure 28-1. KMI Block Diagram

LH7A404-41

28.1.1 Keyboard Clock and Data Signals

The keyboard and mouse peripherals communicate across the KMI using clock and data signals. The sources of these signals are open-drain outputs with pull-up resistors, allowing either the peripheral or the KMI to force these lines LOW. Data values are transmitted and received as an 11-bit serial data frame. When communication is idle, both clock and data pins are HIGH.

When the KMI transmits data to the keyboard/mouse peripheral, the KMI forces the data line to a LOW level, and allows the clock to go HIGH.

When the keyboard/mouse peripheral transmits or receives data from the KMI, the peripheral supplies the clock signal to transfer the data. The KMI can be programmed to prevent the keyboard/mouse peripheral from sending data by forcing the clock to a LOW level. Table 28-1 defines the KMI logic.

Table 28-1. KMI Logic

CLOCK	DATA	STATUS
LOW	Don't Care	Inhibit; data is stored in the keyboard.
HIGH	LOW	Request-to-send data from system to keyboard.
HIGH	HIGH	Ready; Data can be received from the keyboard.

28.1.1.1 Data Sent from the Keyboard/Mouse

When the keyboard/mouse peripheral is ready to send data, it first checks for an inhibit or system-request-to-send status on the clock and data lines. If the clock line is LOW (inhibit status), data values are stored in the keyboard/mouse buffer. If the clock line is HIGH and the data line is LOW (request-to-send), output data values are stored in the peripheral buffer and it receives data from the LH7A404.

If both the clock and data lines are HIGH, the keyboard/mouse peripheral transmits a LOW start bit, 8 data bits (least significant bit first), odd parity bit and a HIGH stop bit. Data is valid prior to the falling edge, and beyond the rising edge of the clock.

During transmission the keyboard/mouse peripheral checks the clock for a HIGH level at least every 60 ms. If the KMI pulls the clock LOW from a HIGH level after the keyboard/mouse starts sending data, a condition known as line contention occurs and transmission is aborted. If line contention occurs before the rising edge of the tenth clock (parity bit), the keyboard/mouse returns the data line to a HIGH level. If line contention does not occur before the tenth clock, the keyboard/mouse completes the transmission.

After a transmitting a data frame, the KMI can be programmed to inhibit the keyboard/mouse until the system processes the input or until it requests a response to be sent.

28.1.1.2 Data Sent to the Keyboard

When the system is ready to send data to the keyboard, it first checks if the keyboard is sending data. If the keyboard is sending but has not reached its tenth clock, the LH7A404 can override the keyboard output by forcing the clock LOW. If keyboard transmission has reached the tenth clock, the system must wait for the transmission to complete.

If the keyboard is not transmitting, or if the LH7A404 decides to override the keyboard output, the KMI is programmed to force the clock line LOW for more than 60 ms while preparing to send. When the LH7A404 is ready to send (data line will be LOW), it releases the clock from the forced LOW condition.

The keyboard checks the status of the clock line at intervals of no more than 8 ms. If a Request-to-Send (RTS) is detected, the keyboard counts eleven bits. After the tenth bit the keyboard forces the data line LOW, and counts one more bit (the stop bit). This is the line control which acknowledges to the LH7A404 that the keyboard has received the data. Upon receipt of RTS the KMI returns to a ready state, during which it can accept keyboard output.

If the keyboard data line is detected with a LOW level following the tenth bit (no stop bit), a framing error has occurred and the keyboard continues to count until the data line transitions to HIGH. The keyboard then forces the data line LOW and sends a Resend command.

Each system command or data transmission to the keyboard requires a response from the keyboard before the LH7A404 can send its next output. The keyboard should respond within 16 ms unless the LH7A404 prevents the keyboard output. If the keyboard response is invalid or has a parity error, the LH7A404 resends the command or data.

28.2 Register Reference

This section describes the KMI registers and memory map.

28.2.1 Memory Map

The base address for the KMI is 0x8000.1200. The register names and offset addresses are shown in Table 28-2 and are relative to this base address.

Table 28-2. KMI Memory Map

ADDRESS OFFSET	NAME	DESCRIPTION
0x00	KMICR	KMI Control Register
0x04	KMISTAT	KMI Status Register
0x08	KMIDATA	KMI Data Receive/Transmit Register
0x0C	CLKDIV	KMI Clock Divisor Register
0x10	ISR	KMI Interrupt Status Register

28.2.2 Register Descriptions

28.2.2.1 KMI Control Register (KMICR)

This register, defined in Table 28-3 and Table 28-4, contains five control bits to affect the behavior of the KMI. The bits in this register must be programmed prior to using the KMI. At reset, all bits are cleared to 0.

Table 28-3. KMICR Register

BIT	31	30	29	28	27	26	25	24	23	22	21	20	19	18	17	16	
FIELD	///																
RESET	0	0	0	0	0	0	0	0	0	0	0	0	0	0	0	0	
TYPE	RO	RO	RO	RO	RO	RO	RO	RO	RO	RO	RO	RO	RO	RO	RO	RO	
BIT	15	14	13	12	11	10	9	8	7	6	5	4	3	2	1	0	
FIELD	///											TYPE	RIE	TIE	KMIEN	FDL	FCL
RESET	0	0	0	0	0	0	0	0	0	0	0	0	0	0	0	0	
TYPE	RO	RO	RO	RO	RO	RO	RO	RO	RO	RO	RW	RW	RW	RW	RW	RW	
ADDR	0x8000.1200																

Table 28-4. KMICR Fields

BITS	NAME	DESCRIPTION
31:6	///	Reserved Reading returns 0. Values written cannot be read.
5	TYPE	Keyboard Type This bit allows specification of the type of keyboard connected to the LH7A404. PS/2 and AT keyboards incorporate a 'line control bit'. The TYPE bit can be used to disable the line control bit. Default is PS/2 and AT mode. 1 = No-line-control-bit mode 0 = PS2/AT mode (with line control bit)
4	RIE	Receive Interrupt Enable This bit enables the KMI receive interrupt. 1 = Receive Interrupt enabled 0 = Receive Interrupt disabled
3	TIE	Transmit Interrupt Enable This bit enables the KMI transmit interrupt. 1 = Transmit Interrupt enabled 0 = Transmit Interrupt disabled
2	KMIEN	Keyboard/Mouse Interface Enable The KMI can be enabled or disabled by programming this bit. 1 = KMI enabled 0 = KMI disabled
1	FDL	Force KMI Data Line LOW This bit allows forcing the KMI data line LOW, regardless of the state of the KMI finite state machine. 1 = KMI data line forced to LOW state 0 = KMI data line operates normally
0	FCL	Force KMI Clock LOW This bit allows forcing the KMI clock line LOW, regardless of the state of the KMI finite state machine. 1 = KMI clock line forced to LOW state 0 = KMI clock line operates normally

28.2.2.2 KMI Status Register (KMISTAT)

The KMI Status Register, defined in Table 28-5 and Table 28-6, is a read-only register used to determine the state of the seven status bits for the KMI. These bits are used for KMI polling and parity checking. All bits are 0 at reset.

Table 28-5. KMISTAT Register

BIT	31	30	29	28	27	26	25	24	23	22	21	20	19	18	17	16	
FIELD	///																
RESET	0	0	0	0	0	0	0	0	0	0	0	0	0	0	0	0	
TYPE	RO	RO	RO	RO	RO	RO	RO	RO	RO	RO	RO	RO	RO	RO	RO	RO	
BIT	15	14	13	12	11	10	9	8	7	6	5	4	3	2	1	0	
FIELD	///										TXEMPTY	TXBUSY	RXFULL	RXBUSY	RXPARITY	CLKSTAT	DSTAT
RESET	0	0	0	0	0	0	0	0	0	0	0	0	0	0	0	0	
TYPE	RO	RO	RO	RO	RO	RO	RO	RO	RO	RO	RO	RO	RO	RO	RO	RO	
ADDR	0x8000.1204																

Table 28-6. KMISTAT Fields

BITS	NAME	DESCRIPTION
31:7	///	Reserved Reading returns 0. Values written cannot be read.
6	TXEMPTY	Transmit Register Empty This bit can be read to determine the status of the transmit register. 1 = Transmit register empty 0 = Transmit register full
5	TXBUSY	Transmit Busy Read this bit to determine the status of KMI transmission. 1 = KMI is currently transmitting data 0 = KMI is idle
4	RXFULL	Receive Register Full This bit can be read to determine the status of the receive register. 1 = Receive register full 0 = Receive register empty
3	RXBUSY	Receive Busy Read this bit to determine the status of KMI reception. 1 = KMI is currently receiving data 0 = KMI is idle
2	RXPARITY	Receive Parity This bit reflects the value of the parity bit for the last received data byte. Parity on the KMI is odd.
1	CLKSTAT	Clock Line Status This bit is the status of the KMICLKIN line after synchronizing and sampling.
0	DSTAT	Data Line Status This bit is the status of the KMIDATAIN line following synchronizing.

28.2.2.3 KMI Data Register (KMIDATA)

The KMI Data Register contains the data byte to be transmitted to the keyboard or mouse, or it contains the data byte received from the keyboard or mouse. Thus, it functions as the transmit and the receive register. The transmit data is serially transmitted on the KMIDDAT pin (H1). The bits are defined in Table 28-7 and Table 28-8. Upon reset, all bits are 0.

Table 28-7. KMIDATA Register

BIT	31	30	29	28	27	26	25	24	23	22	21	20	19	18	17	16
FIELD	///															
RESET	0	0	0	0	0	0	0	0	0	0	0	0	0	0	0	0
TYPE	RO	RO	RO	RO	RO	RO	RO	RO	RO	RO	RO	RO	RO	RO	RO	RO
BIT	15	14	13	12	11	10	9	8	7	6	5	4	3	2	1	0
FIELD	///								DATA							
RESET	0	0	0	0	0	0	0	0	0	0	0	0	0	0	0	0
TYPE	RO	RO	RO	RO	RO	RO	RO	RO	RW	RW	RW	RW	RW	RW	RW	RW
ADDR	0x8000.1208															

Table 28-8. KMIDATA Fields

BITS	NAME	DESCRIPTION
31:8	///	Reserved Reading returns 0. Values written cannot be read.
7:0	DATA	KMI Data This is the Receive and Transmit Register. When written, these bits contain the data to be transmitted to the keyboard or mouse. When read, these bits contain the data received from the keyboard or mouse.

28.2.2.4 Clock Divisor Register (CLKDIV)

The Clock Divisor Register allows programming an integer divisor used to divide HCLK to a nominal 8 MHz KMI Clock rate. Valid divisors must be between 0 and 15. The formula to derive the KMI clock frequency is:

$$\text{KMI clock} = (\text{HCLK}) / (1 + \text{CLKDIV})$$

See the Chapter 7 for information regarding programming the frequency of HCLK. Table 28-9 and Table 28-10 describe this register. The clock divisor is 0 following reset, resulting in a unity divisor.

Table 28-9. CLKDIV Register

BIT	31	30	29	28	27	26	25	24	23	22	21	20	19	18	17	16
FIELD	///															
RESET	0	0	0	0	0	0	0	0	0	0	0	0	0	0	0	0
TYPE	RO	RO	RO	RO	RO	RO	RO	RO	RO	RO	RO	RO	RO	RO	RO	RO
BIT	15	14	13	12	11	10	9	8	7	6	5	4	3	2	1	0
FIELD	///												CLKDIV			
RESET	0	0	0	0	0	0	0	0	0	0	0	0	0	0	0	0
TYPE	RO	RO	RO	RO	RO	RO	RO	RO	RO	RO	RO	RO	RW	RW	RW	RW
ADDR	0x8000.120C															

Table 28-10. CLKDIV Fields

BITS	NAME	DESCRIPTION
31:4	///	Reserved Reading returns 0. Values written cannot be read.
3:0	CLKDIV	KMI Clock Divisor A value between 0 and 0xF written to these bits specifies the divisor to use to generate the KMI clock from HCLK, according to the formula described above.

28.2.2.5 KMI Interrupt Status Register (ISR)

The KMI Interrupt Status Register allows reading the status of the two KMI interrupts, transmit interrupt and receive interrupt. These two interrupts are enabled by the TIE and RIE bits in the KMI Control Register (KMICR). The interrupt outputs are combined into a single interrupt that is an OR function of the individual sources, which is routed to the Vectored Interrupt Controller (VIC).

These bits are read only and are 0 at reset. Table 28-11 and Table 28-12 define the ISR.

Table 28-11. ISR Register

BIT	31	30	29	28	27	26	25	24	23	22	21	20	19	18	17	16
FIELD	///															
RESET	0	0	0	0	0	0	0	0	0	0	0	0	0	0	0	0
TYPE	RO	RO	RO	RO	RO	RO	RO	RO	RO	RO	RO	RO	RO	RO	RO	RO
BIT	15	14	13	12	11	10	9	8	7	6	5	4	3	2	1	0
FIELD	///														TXI	RXI
RESET	0	0	0	0	0	0	0	0	0	0	0	0	0	0	0	0
TYPE	RO	RO	RO	RO	RO	RO	RO	RO	RO	RO	RO	RO	RO	RO	RO	RO
ADDR	0x8000.1210															

Table 28-12. ISR Fields

BITS	NAME	DESCRIPTION
31:2	///	Reserved Reading returns 0. Values written cannot be read.
1	TXI	Transmit Interrupt This bit reports the status of the KMI transmit interrupt. The transmit interrupt is set at completion of a transmit operation. A write to the KMIDATA register clears the TXI, provided that the interrupt was already set and is enabled. 1 = Transmit interrupt asserted 0 = Transmit interrupt not asserted
0	RXI	Receive Interrupt This bit reports the status of the KMI receive interrupt. On receiving a valid byte, the receive interrupt is asserted. Once set, it is cleared by a read of the KMIDATA register. 1 = Receive interrupt asserted 0 = Receive interrupt not asserted

Chapter 29

Glossary

AC

Audio Codec

AC97

AC97 Codec following Intel's AC97 specification. The specification is available at: <http://www.nxp.com/redirect/intel.com>

AHB

Advanced High-Performance Bus. Defined in the AMBA specification, the AHB connects the high-performance blocks. In the LH7A404, the AHB connects the ARM922T core, the SMC, the SDMC, the embedded SRAM, the CLCDC, the HRTFTLCDTC, and the DMA controller. The AHB connects to the APB via the APB Bridge. The AHB supports burst mode data transfers and split transactions, and all timing is referenced to a single clock edge.

ALI

Advanced LCD Interface. Allows direct connection to the Row and Column Driver chips in newer superthin panels that do not incorporate a separate timing ASIC.

AMBA

Advanced Microprocessor Bus Architecture. This architecture is an open standard for an on-chip bus connecting the blocks of an MCU.

APB

Advanced Peripheral Bus. Defined in the AMBA specification, the APB connects the lower-performance peripheral blocks. In the LH7A404, the APB connects the RTC, the WDT, the Timers, the GPIO, the SSP, the BMI, the UARTS, the USB Interface, the MMC, the Audio Codec, the AC97, the SCI, the DC-DC Interface, and the Interrupt Controller. The APB connects to the AHB via the APB Bridge.

APB Bridge

Connection between the AHB and APB.

ARM922T Core

A microprocessor based on the ARM9TDMI 32-bit RISC CPU, with an 8KB instruction cache and 8KB data cache, MMU support, and AMBA compliant interfaces. For more information, see the ARM Ltd. website: <http://www.nxp.com/redirect/arm.com>.

Big-endian

The most significant part of the data is stored at the lowest storage address or transmitted or received first. See Endianness.

Block

A Block is the on-chip circuitry to implement a peripheral, memory circuit, or processor.

BMI

Battery Monitor Interface. In the LH7A404, a serial communication interface specified for battery interfaces, including high speed, single wire compatibility and smart battery system specification with an I²C interface.

I²C

Bidirectional, two wire serial bus providing a communication link between integrated circuits.

Byte

An 8-bit data element. Bytes in this User's Guide are shown with the most significant bit on the left (or top) and the least significant bit on the right (or bottom). Also see Half Word, Nibble, and Word.

Byte Lane

A data path that is one byte wide.

CF

CompactFlash. Very small removable mass storage device, providing complete PCMCIA-ATA functionality and compatibility and TrueIDE functionality compatible with ATA/ATAPI-4. For more information, see the CompactFlash Association website, <http://www.nxp.com/redirect/compactflash.org>.

Chip

A packaged integrated circuit device.

CLCDC

The on-chip Color Liquid Crystal Display Controller.

Core

See ARM922T Core.

CPSR

Current Program Status Register. In ARM architecture, it stores the condition code bits.

DC-DC Converter

Direct Current-to-Direct Current Converter

DMA

Direct Memory Access. The LH7A404 includes an on-chip DMA Controller.

ED

Endpoint Descriptor. A memory structure that describes the information necessary for the Host Controller to communicate (via Transfer Descriptors) with a client Endpoint. An ED includes a Transfer Descriptor pointer.

Embedded SRAM

In the LH7A404, 80KB of on-chip SRAM. The LCD controller has access to an internal frame buffer in embedded SRAM and an extension buffer in SDRAM for dual panel or large displays. The core and DMA controller share the main system bus, providing access to all external memory devices and the embedded SRAM frame buffer.

ENDEC

ENcoder and DECoder

Endianness

Describes the bit, byte, or word sequence of data communication or storage, associating the most significant or least significant end of a data sequence with the lowest address or with the beginning of reception or transmission. See Big-endian and Little-endian.

Endpoint Address

The combination of a client Device Address and an Endpoint Number on the USB.

EOF

End Of Frame. The end of a USB-defined frame.

FIQ

Fast Interrupt request. FIQ interrupts are higher priority than an IRQ. See IRQ.

Frame (USB)

A frame begins with a Start of Frame (SOF) token and is 1.0 ms +/- 0.25% in length.

GPIO

General Purpose Input and Output

Half Word

In the 32-bit LH7A404, a 16-bit data element structured as an ordered pair of bytes. Half words in this User's Guide are shown with the most significant byte on the left (or top) and the least significant byte on the right (or bottom). Also see Byte, Nibble, and Word.

HCCA

Host Controller Communication Area (USB)

Host Controller Communication Area

In the USB Host, this is a shared main memory area used for communications between the LH7A404 operating software and the USB Host Controller.

Interrupt Controller

In the LH7A404, a Vectored Interrupt Controller (VIC) is used. See Vectored Interrupt Controller.

IRQ

Interrupt Request. IRQ interrupts are lower priority than FIQ. See FIQ.

Isochronous Data

A continuous stream of data delivered at a steady rate.

IrDA

A serial, half-duplex optical communications protocol sponsored by the InfraRed Data Association.

Little-endian

The least significant part of the data is stored at the lowest storage address or transmitted or received first. The LH79520 uses little-endian byte ordering for storage. See Endianness.

LSB; LSb

Least significant byte (LSB) or least significant bit (LSb) of an ordered sequence.

LSW

Least significant word of an ordered sequence.

Maskable

Can be enabled or disabled. See Non-maskable.

MCU

Microcontroller. A single-chip microprocessor system directly supporting peripherals used by an embedded-design product.

Merging Write Buffer

A merging write buffer compacts writes of all widths (byte, half-word, and word) into quad-word bursts which can be efficiently transferred to SDRAM.

MMC

MultiMediaCard. The complete specification is available at the MultiMediaCard Association website: <http://www.nxp.com/redirect/mmca.org/>

MSB; MSb

Most significant byte (MSB) or most significant bit (MSb) of an ordered sequence.

MSW

Most significant word of an ordered sequence.

Nibble

In the LH7A404, a 4-bit data element. Nibbles in this User's Guide are shown with the most significant bit on the left (or top) and the least significant bit on the right (or bottom). Also see Byte, Half Word, and Word.

Non-maskable

Cannot be disabled. See Maskable.

Non-Volatile Memory

A memory technology that retains its contents when power is removed. Examples are ROM and Flash. Also see Volatile Memory.

PCMCIA

Personal Computer Memory Card International Association. For more information, see the PC Card Standard, available from: <http://www.nxp.com/redirect/pcmcia.com>.

Pixel

Picture Element. The smallest controllable unit of a matrix LCD display.

RO

Read Only. Values written to RO fields cannot be read back. Writing RO fields can cause unpredictable LH7A404 operation.

Root Hub

A USB hub internal to the LH7A404 and attached directly to the USB Host Controller.

RTC

Real Time Clock

RW

Read or Write. RW bits or fields can be read from or written to.

SCI

Smart Card Interface

SDMC

Synchronous Dynamic Memory Controller

SIR

Serial InfraRed

SMC

Static Memory Controller. In the LH7A404, the SMC is an AHB slave block, providing an interface between the AHB and external asynchronous memory mapped devices. The SMC supports eight independently configurable memory banks, including two banks dedicated to PCMCIA and Compact Flash (CF) PC card interfaces.

SOF

Start of Frame. The beginning of a USB-defined frame. SOF is the first transaction in each frame. The SOF allows endpoints to identify the start of frame and synchronize internal endpoint clocks to the host.

SSP

Synchronous Serial Port

SWI

Software Interrupt; also Single Wire Interface (Battery Monitor)

TD

The USB Transfer Descriptor. A TD is a memory structure that describes information necessary for the USB Host Controller to transfer a block of data to or from a client Endpoint.

UART

Universal Asynchronous Receiver and Transmitter

USB

Universal Serial Bus

USB Hub

A device that provides additional connections to the USB.

VBP

Vertical Back Porch. The quantity of inactive lines at the start of a frame, after the vertical synchronization period.

Vectored Interrupt Controller

A Vectored Interrupt Controller (VIC) allows hardware to automatically assign addresses (vectors) for system interrupts, increasing interrupt servicing speed. The LH7A404 provides up to 32 vectored interrupts, and also allows prioritizing interrupts as well as assigning interrupts as IRQs or FIQs.

VFP

Vertical Front Porch. The quantity of inactive lines at the end of a frame, before the vertical synchronization period.

VIC

See Vectored Interrupt Controller.

Volatile Memory

A general term for any memory technology that loses its contents when power is removed. Examples are RAM, SRAM, and SDRAM. See Non-Volatile Memory.

VSW

Vertical Synchronization (Pulse) Width. The quantity of horizontal synchronization lines fed to an LCD panel during its reset time from the bottom of the frame to the top of the next frame.

WDT

Watchdog Timer

WO

Write Only. Write Only fields should not be read as the data is invalid.

Word

In the 32-bit LH7A404, a 32-bit data element structured as an ordered sequence. Words in this User's Guide are shown with the most significant byte on the left (or top) and the least significant byte on the right (or bottom). Also see Byte, Half Word, and Nibble.

ANNEX A: Disclaimers (11)

1. t001dis100.fm: General (DS, AN, UM, errata)

General — Information in this document is believed to be accurate and reliable. However, NXP Semiconductors does not give any representations or warranties, expressed or implied, as to the accuracy or completeness of such information and shall have no liability for the consequences of use of such information.

2. t001dis101.fm: Right to make changes (DS, AN, UM, errata)

Right to make changes — NXP Semiconductors reserves the right to make changes to information published in this document, including without limitation specifications and product descriptions, at any time and without notice. This document supersedes and replaces all information supplied prior to the publication hereof.

3. t001dis102.fm: Suitability for use (DS, AN, UM, errata)

Suitability for use — NXP Semiconductors products are not designed, authorized or warranted to be suitable for use in medical, military, aircraft, space or life support equipment, nor in applications where failure or malfunction of a NXP Semiconductors product can reasonably be expected to result in personal injury, death or severe property or environmental damage. NXP Semiconductors accepts no liability for inclusion and/or use of NXP Semiconductors products in such equipment or applications and therefore such inclusion and/or use is at the customer's own risk.

4. t001dis103.fm: Applications (DS, AN, UM, errata)

Applications — Applications that are described herein for any of these products are for illustrative purposes only. NXP Semiconductors makes no representation or warranty that such applications will be suitable for the specified use without further testing or modification.

5. t001dis104.fm: Limiting values (DS)

Limiting values — Stress above one or more limiting values (as defined in the Absolute Maximum Ratings System of IEC 60134) may cause permanent damage to the device. Limiting values are stress ratings only and operation of the device at these or any other conditions above those given in the Characteristics sections of this document is not implied. Exposure to limiting values for extended periods may affect device reliability.

6. t001dis105.fm: Terms and conditions of sale (DS)

Terms and conditions of sale — NXP Semiconductors products are sold subject to the general terms and conditions of commercial sale, as published at <http://www.nxp.com/profile/terms>, including those pertaining to warranty, intellectual property rights infringement and limitation of liability, unless explicitly otherwise agreed to in writing by NXP Semiconductors. In case of any inconsistency or conflict between information in this document and such terms and conditions, the latter will prevail.

7. t001dis106.fm: No offer to sell or license (DS)

No offer to sell or license — Nothing in this document may be interpreted or construed as an offer to sell products that is open for acceptance or the grant, conveyance or implication of any license under any copyrights, patents or other industrial or intellectual property rights.

8. t001dis107.fm: Hazardous voltage (DS, AN, UM, errata; if applicable)

Hazardous voltage — Although basic supply voltages of the product may be much lower, circuit voltages up to 60 V may appear when operating this product, depending on settings and application. Customers incorporating or otherwise using these products in applications where such high voltages may appear during operation, assembly, test etc. of such application, do so at their own risk. Customers agree to fully indemnify NXP Semiconductors for any damages resulting from or in connection with such high voltages. Furthermore, customers are drawn to safety standards (IEC 950, EN 60 950, CENELEC, ISO, etc.) and other (legal) requirements applying to such high voltages.

9. t001dis108.2.fm: Bare die (DS; if applicable)

Bare die (if applicable) — Products indicated as Bare Die are subject to separate specifications and are not tested in accordance with standard testing procedures. Product warranties and guarantees as stated in this document are not applicable to Bare Die Products unless such warranties and guarantees are explicitly stated in a valid separate agreement entered into by NXP Semiconductors and customer.

10. t001dis109.fm: AEC unqualified products (DS, AN, UM, errata; if applicable)

AEC unqualified products — This product has not been qualified to the appropriate Automotive Electronics Council (AEC) standard Q100 or Q101 and should not be used in automotive critical applications, including but not limited to applications where failure or malfunction of an NXP Semiconductors product can reasonably be expected to result in personal injury, death or severe property or environmental damage. NXP Semiconductors accepts no liability for inclusion and/or use of NXP Semiconductors products in such equipment or applications and therefore such inclusion and/or use is for the customer's own risk.

11. t001dis110.fm: Suitability for use in automotive applications only (DS, AN, UM, errata; if applicable)

Suitability for use in automotive applications only — This NXP Semiconductors product has been developed for use in automotive applications only. The product is not designed, authorized or warranted to be suitable for any other use, including medical, military, aircraft, space or life support equipment, nor in applications where failure or malfunction of an NXP Semiconductors product can reasonably be expected to result in personal injury, death or severe property or environmental damage. NXP Semiconductors accepts no liability for inclusion and/or use of NXP Semiconductors products in such equipment or applications and therefore such inclusion and/or use is at the customer's own risk.