

8XC251SA, 8XC251SB,  
8XC251SP, 8XC251SQ  
Embedded Microcontroller  
User's Manual



intel®





**8XC251SA, 8XC251SB,  
8XC251SP, 8XC251SQ  
Embedded Microcontroller  
User's Manual**

**May 1996**



Information in this document is provided in connection with Intel products. Intel assumes no liability whatsoever, including infringement of any patent or copyright, for sale and use of Intel products except as provided in Intel's Terms and Conditions of Sale for such products.

Intel retains the right to make changes to these specifications at any time, without notice. Microcontroller products may have minor variations to this specification known as errata.

\*Other brands and names are the property of their respective owners.

Contact your local Intel sales office or your distributor to obtain the latest specifications before placing your product order.

Copies of documents which have an ordering number and are referenced in this document, or other Intel literature, may be obtained from:

Intel Corporation  
Literature Sales  
P.O. Box 7641  
Mt. Prospect, IL 60056-7641  
or call 1-800-548-4725

# CONTENTS

## CHAPTER 1

### GUIDE TO THIS MANUAL

1.1	MANUAL CONTENTS .....	1-1
1.2	NOTATIONAL CONVENTIONS AND TERMINOLOGY .....	1-3
1.3	RELATED DOCUMENTS .....	1-5
1.3.1	Data Sheet .....	1-6
1.3.2	Application Notes .....	1-6
1.4	APPLICATION SUPPORT SERVICES.....	1-7
1.4.1	World Wide Web .....	1-7
1.4.2	CompuServe Forums .....	1-7
1.4.3	FaxBack Service .....	1-8
1.4.4	Bulletin Board System (BBS) .....	1-8

## CHAPTER 2

### ARCHITECTURAL OVERVIEW

2.1	8XC251SA, SB, SP, SQ ARCHITECTURE .....	2-3
2.2	MCS 251 MICROCONTROLLER CORE .....	2-4
2.2.1	CPU .....	2-5
2.2.2	Clock and Reset Unit .....	2-6
2.2.3	Interrupt Handler .....	2-7
2.2.4	On-chip Code Memory .....	2-7
2.2.5	On-chip RAM .....	2-7
2.3	ON-CHIP PERIPHERALS.....	2-7
2.3.1	Timer/Counters and Watchdog Timer .....	2-7
2.3.2	Programmable Counter Array (PCA) .....	2-8
2.3.3	Serial I/O Port .....	2-8

## CHAPTER 3

### ADDRESS SPACES

3.1	ADDRESS SPACES FOR MCS® 251 MICROCONTROLLERS.....	3-1
3.1.1	Compatibility with the MCS® 51 Architecture .....	3-2
3.2	8XC251SA, SB, SP, SQ MEMORY SPACE .....	3-5
3.2.1	On-chip General-purpose Data RAM .....	3-8
3.2.2	On-chip Code Memory (83C251SA, SB, SP, SQ/87C251SA, SB, SP, SQ) .....	3-8
3.2.2.1	Accessing On-chip Code Memory in Region 00: .....	3-9
3.2.3	External Memory .....	3-10
3.3	8XC251SA, SB, SP, SQ REGISTER FILE .....	3-10
3.3.1	Byte, Word, and Dword Registers .....	3-13
3.3.2	Dedicated Registers .....	3-13
3.3.2.1	Accumulator and B Register .....	3-13
3.3.2.2	Extended Data Pointer, DPX .....	3-15

3.3.2.3	Extended Stack Pointer, SPX .....	3-15
3.4	SPECIAL FUNCTION REGISTERS (SFRS) .....	3-16

## CHAPTER 4

### DEVICE CONFIGURATION

4.1	CONFIGURATION OVERVIEW .....	4-1
4.2	DEVICE CONFIGURATION .....	4-1
4.3	THE CONFIGURATION BITS.....	4-4
4.4	CONFIGURATION BYTE LOCATION SELECTOR (UCON).....	4-5
4.5	CONFIGURING THE EXTERNAL MEMORY INTERFACE.....	4-8
4.5.1	Page Mode and Nonpage Mode (PAGE#) .....	4-8
4.5.2	Configuration Bits RD1:0 .....	4-9
4.5.2.1	RD1:0 = 00 (18 External Address Bits) .....	4-9
4.5.2.2	RD1:0 = 01 (17 External Address Bits) .....	4-9
4.5.2.3	RD1:0 = 10 (16 External Address Bits) .....	4-12
4.5.2.4	RD1:0 = 11 (Compatible with MCS 51 Microcontrollers) .....	4-12
4.5.3	Wait State Configuration Bits .....	4-12
4.5.3.1	Configuration Bits WSA1:0#, WSB1:# .....	4-12
4.5.3.2	Configuration Bit WSB .....	4-12
4.5.3.3	Configuration Bit XALE# .....	4-13
4.6	OPCODE CONFIGURATIONS (SRC).....	4-13
4.6.1	Selecting Binary Mode or Source Mode .....	4-14
4.7	MAPPING ON-CHIP CODE MEMORY TO DATA MEMORY (EMAP#) .....	4-16
4.8	INTERRUPT MODE (INTR).....	4-16

## CHAPTER 5

### PROGRAMMING

5.1	SOURCE MODE OR BINARY MODE OPCODES .....	5-1
5.2	PROGRAMMING FEATURES OF THE MCS® 251 ARCHITECTURE.....	5-1
5.2.1	Data Types .....	5-2
5.2.1.1	Order of Byte Storage for Words and Double Words .....	5-2
5.2.2	Register Notation .....	5-2
5.2.3	Address Notation .....	5-2
5.2.4	Addressing Modes .....	5-4
5.3	DATA INSTRUCTIONS .....	5-4
5.3.1	Data Addressing Modes .....	5-4
5.3.1.1	Register Addressing .....	5-5
5.3.1.2	Immediate .....	5-5
5.3.1.3	Direct .....	5-5
5.3.1.4	Indirect .....	5-6
5.3.1.5	Displacement .....	5-8
5.3.2	Arithmetic Instructions .....	5-8
5.3.3	Logical Instructions .....	5-9
5.3.4	Data Transfer Instructions .....	5-10

- 5.4 BIT INSTRUCTIONS ..... 5-11
  - 5.4.1 Bit Addressing ..... 5-11
- 5.5 CONTROL INSTRUCTIONS ..... 5-12
  - 5.5.1 Addressing Modes for Control Instructions ..... 5-13
  - 5.5.2 Conditional Jumps ..... 5-14
  - 5.5.3 Unconditional Jumps ..... 5-15
  - 5.5.4 Calls and Returns ..... 5-15
- 5.6 PROGRAM STATUS WORDS ..... 5-16

**CHAPTER 6**

**INTERRUPT SYSTEM**

- 6.1 OVERVIEW ..... 6-1
- 6.2 8XC251SA, SB, SP, SQ INTERRUPT SOURCES ..... 6-3
  - 6.2.1 External Interrupts ..... 6-3
  - 6.2.2 Timer Interrupts ..... 6-4
- 6.3 PROGRAMMABLE COUNTER ARRAY (PCA) INTERRUPT ..... 6-5
- 6.4 SERIAL PORT INTERRUPT ..... 6-5
- 6.5 INTERRUPT ENABLE ..... 6-5
- 6.6 INTERRUPT PRIORITIES ..... 6-7
- 6.7 INTERRUPT PROCESSING ..... 6-9
  - 6.7.1 Minimum Fixed Interrupt Time ..... 6-10
  - 6.7.2 Variable Interrupt Parameters ..... 6-10
    - 6.7.2.1 Response Time Variables ..... 6-10
    - 6.7.2.2 Computation of Worst-case Latency With Variables ..... 6-12
    - 6.7.2.3 Latency Calculations ..... 6-13
    - 6.7.2.4 Blocking Conditions ..... 6-14
    - 6.7.2.5 Interrupt Vector Cycle ..... 6-14
  - 6.7.3 ISRs in Process ..... 6-15

**CHAPTER 7**

**INPUT/OUTPUT PORTS**

- 7.1 INPUT/OUTPUT PORT OVERVIEW ..... 7-1
- 7.2 I/O CONFIGURATIONS ..... 7-2
- 7.3 PORT 1 AND PORT 3 ..... 7-2
- 7.4 PORT 0 AND PORT 2 ..... 7-2
- 7.5 READ-MODIFY-WRITE INSTRUCTIONS ..... 7-5
- 7.6 QUASI-BIDIRECTIONAL PORT OPERATION ..... 7-6
- 7.7 PORT LOADING ..... 7-7
- 7.8 EXTERNAL MEMORY ACCESS ..... 7-7

**CHAPTER 8**

**TIMER/COUNTERS AND WATCHDOG TIMER**

- 8.1 TIMER/COUNTER OVERVIEW ..... 8-1

8.2	TIMER/COUNTER OPERATION.....	8-1
8.3	TIMER 0.....	8-3
8.3.1	Mode 0 (13-bit Timer) .....	8-4
8.3.2	Mode 1 (16-bit Timer) .....	8-4
8.3.3	Mode 2 (8-bit Timer With Auto-reload) .....	8-5
8.3.4	Mode 3 (Two 8-bit Timers) .....	8-5
8.4	TIMER 1.....	8-5
8.4.1	Mode 0 (13-bit Timer) .....	8-9
8.4.2	Mode 1 (16-bit Timer) .....	8-9
8.4.3	Mode 2 (8-bit Timer with Auto-reload) .....	8-9
8.4.4	Mode 3 (Halt) .....	8-9
8.5	TIMER 0/1 APPLICATIONS.....	8-9
8.5.1	Auto-load Setup Example .....	8-9
8.5.2	Pulse Width Measurements .....	8-10
8.6	TIMER 2.....	8-10
8.6.1	Capture Mode .....	8-11
8.6.2	Auto-reload Mode .....	8-12
8.6.2.1	Up Counter Operation .....	8-12
8.6.2.2	Up/Down Counter Operation .....	8-13
8.6.3	Baud Rate Generator Mode .....	8-14
8.6.4	Clock-out Mode .....	8-14
8.7	WATCHDOG TIMER .....	8-16
8.7.1	Description .....	8-16
8.7.2	Using the WDT .....	8-18
8.7.3	WDT During Idle Mode .....	8-18
8.7.4	WDT During PowerDown .....	8-18

## CHAPTER 9

### PROGRAMMABLE COUNTER ARRAY

9.1	PCA DESCRIPTION.....	9-1
9.1.1	Alternate Port Usage .....	9-2
9.2	PCA TIMER/COUNTER.....	9-2
9.3	PCA COMPARE/CAPTURE MODULES .....	9-5
9.3.1	16-bit Capture Mode .....	9-5
9.3.2	Compare Modes .....	9-7
9.3.3	16-bit Software Timer Mode .....	9-7
9.3.4	High-speed Output Mode .....	9-8
9.3.5	PCA Watchdog Timer Mode .....	9-9
9.3.6	Pulse Width Modulation Mode .....	9-11

## CHAPTER 10

### SERIAL I/O PORT

10.1	OVERVIEW .....	10-1
------	----------------	------



10.2	MODES OF OPERATION.....	10-4
10.2.1	Synchronous Mode (Mode 0) .....	10-4
10.2.1.1	Transmission (Mode 0) .....	10-4
10.2.1.2	Reception (Mode 0) .....	10-5
10.2.2	Asynchronous Modes (Modes 1, 2, and 3) .....	10-6
10.2.2.1	Transmission (Modes 1, 2, 3) .....	10-6
10.2.2.2	Reception (Modes 1, 2, 3) .....	10-6
10.3	FRAMING BIT ERROR DETECTION (MODES 1, 2, AND 3).....	10-7
10.4	MULTIPROCESSOR COMMUNICATION (MODES 2 AND 3).....	10-7
10.5	AUTOMATIC ADDRESS RECOGNITION .....	10-7
10.5.1	Given Address .....	10-8
10.5.2	Broadcast Address .....	10-9
10.5.3	Reset Addresses .....	10-10
10.6	BAUD RATES.....	10-10
10.6.1	Baud Rate for Mode 0 .....	10-10
10.6.2	Baud Rates for Mode 2 .....	10-10
10.6.3	Baud Rates for Modes 1 and 3 .....	10-10
10.6.3.1	Timer 1 Generated Baud Rates (Modes 1 and 3) .....	10-11
10.6.3.2	Selecting Timer 1 as the Baud Rate Generator .....	10-11
10.6.3.3	Timer 2 Generated Baud Rates (Modes 1 and 3) .....	10-12
10.6.3.4	Selecting Timer 2 as the Baud Rate Generator .....	10-12

## CHAPTER 11

### MINIMUM HARDWARE SETUP

11.1	MINIMUM HARDWARE SETUP.....	11-1
11.2	ELECTRICAL ENVIRONMENT .....	11-2
11.2.1	Power and Ground Pins .....	11-2
11.2.2	Unused Pins .....	11-2
11.2.3	Noise Considerations .....	11-2
11.3	CLOCK SOURCES.....	11-3
11.3.1	On-chip Oscillator (Crystal) .....	11-3
11.3.2	On-chip Oscillator (Ceramic Resonator) .....	11-4
11.3.3	External Clock .....	11-4
11.4	RESET .....	11-5
11.4.1	Externally Initiated Resets .....	11-6
11.4.2	WDT Initiated Resets .....	11-6
11.4.3	Reset Operation .....	11-6
11.4.4	Power-on Reset .....	11-7

## CHAPTER 12

### SPECIAL OPERATING MODES

12.1	GENERAL.....	12-1
12.2	POWER CONTROL REGISTER .....	12-1
12.2.1	Serial I/O Control Bits .....	12-1

12.2.2	Power Off Flag .....	12-1
12.3	IDLE MODE .....	12-4
12.3.1	Entering Idle Mode .....	12-4
12.3.2	Exiting Idle Mode .....	12-5
12.4	POWERDOWN MODE .....	12-5
12.4.1	Entering Powerdown Mode .....	12-6
12.4.2	Exiting Powerdown Mode .....	12-6
12.5	ON-CIRCUIT EMULATION (ONCE) MODE .....	12-7
12.5.1	Entering ONCE Mode .....	12-7
12.5.2	Exiting ONCE Mode .....	12-7

## CHAPTER 13

### EXTERNAL MEMORY INTERFACE

13.1	OVERVIEW .....	13-1
13.2	EXTERNAL BUS CYCLES .....	13-3
13.2.1	Bus Cycle Definitions .....	13-3
13.2.2	Nonpage Mode Bus Cycles .....	13-4
13.2.3	Page Mode Bus Cycles .....	13-5
13.3	WAIT STATES.....	13-8
13.4	EXTERNAL BUS CYCLES WITH CONFIGURABLE WAIT STATES.....	13-8
13.4.1	Extending RD#/WR#/PSEN# .....	13-8
13.4.2	Extending ALE .....	13-10
13.5	EXTERNAL BUS CYCLES WITH REAL-TIME WAIT STATES.....	13-10
13.5.1	Real-time WAIT# Enable (RTWE) .....	13-12
13.5.2	Real-time WAIT CLOCK Enable (RTWCE) .....	13-12
13.5.3	Real-time Wait State Bus Cycle Diagrams .....	13-12
13.6	CONFIGURATION BYTE BUS CYCLES.....	13-15
13.7	PORT 0 AND PORT 2 STATUS.....	13-16
13.7.1	Port 0 and Port 2 Pin Status in Nonpage Mode .....	13-16
13.7.2	Port 0 and Port 2 Pin Status in Page Mode .....	13-17
13.8	EXTERNAL MEMORY DESIGN EXAMPLES.....	13-18
13.8.1	Example 1: RD1:0 = 00, 18-bit Bus, External Flash and RAM .....	13-18
13.8.2	Example 2: RD1:0 = 01, 17-bit Bus, External Flash and RAM .....	13-20
13.8.3	Example 3: RD1:0 = 01, 17-bit Bus, External RAM .....	13-22
13.8.4	Example 4: RD1:0 = 10, 16-bit Bus, External RAM .....	13-24
13.8.5	Example 5: RD1:0 = 11, 16-bit Bus, External EPROM and RAM .....	13-26
13.8.5.1	An Application Requiring Fast Access to the Stack .....	13-26
13.8.5.2	An Application Requiring Fast Access to Data .....	13-26
13.8.6	Example 6: RD1:0 = 11, 16-bit Bus, External EPROM and RAM .....	13-29
13.8.7	Example 7: RD1:0 = 01, 17-bit Bus, External Flash .....	13-30

**CHAPTER 14**

**PROGRAMMING AND VERIFYING  
NONVOLATILE MEMORY**

14.1	GENERAL.....	14-1
14.1.1	Programming Considerations for On-chip Code Memory .....	14-2
14.1.2	EPROM Devices .....	14-3
14.2	PROGRAMMING AND VERIFYING MODES.....	14-3
14.3	GENERAL SETUP.....	14-3
14.4	PROGRAMMING ALGORITHM.....	14-5
14.5	VERIFY ALGORITHM.....	14-6
14.6	PROGRAMMABLE FUNCTIONS .....	14-6
14.6.1	On-chip Code Memory .....	14-7
14.6.2	Configuration Bytes .....	14-7
14.6.3	Lock Bit System .....	14-7
14.6.4	Encryption Array .....	14-8
14.6.5	Signature Bytes .....	14-8
14.7	VERIFYING THE 83C251SA, SB, SP, SQ (ROM) .....	14-9

**APPENDIX A**

**INSTRUCTION SET REFERENCE**

A.1	NOTATION FOR INSTRUCTION OPERANDS.....	A-2
A.2	OPCODE MAP AND SUPPORTING TABLES .....	A-4
A.3	INSTRUCTION SET SUMMARY.....	A-11
A.3.1	Execution Times for Instructions that Access the Port SFRs .....	A-11
A.3.2	Instruction Summaries .....	A-14

**APPENDIX B**

**SIGNAL DESCRIPTIONS**

**APPENDIX C**

**REGISTERS**

**GLOSSARY**

**INDEX**

## FIGURES

Figure	Page
2-1	Functional Block Diagram of the 8XC251SA, SB, SP, SQ.....2-2
2-2	The CPU.....2-5
2-3	Clocking Definitions.....2-6
3-1	Address Spaces for MCS® 251 Microcontrollers.....3-1
3-2	Address Spaces for the MCS® 51 Architecture.....3-3
3-3	Address Space Mappings MCS® 51 Architecture to MCS® 251 Architecture.....3-4
3-4	8XC251SA, SB, SP, SQ Address Space.....3-6
3-5	Hardware Implementation of the 8XC251SA, SB, SP, SQ Address Space.....3-7
3-6	The Register File.....3-11
3-7	Register File Locations 0–7.....3-12
3-8	Dedicated Registers in the Register File and their Corresponding SFRs.....3-14
4-1	Configuration Array (On-chip).....4-2
4-2	Configuration Array (External).....4-3
4-3	Configuration Byte UCONFIG0.....4-6
4-4	Configuration Byte UCONFIG1.....4-7
4-5	Internal/External Address Mapping (RD1:0 = 00 and 01).....4-10
4-6	Internal/External Address Mapping (RD1:0 = 10 and 11).....4-11
4-7	Binary Mode Opcode Map.....4-15
4-8	Source Mode Opcode Map.....4-15
5-1	Word and Double-word Storage in Big Endien Form.....5-3
5-2	Program Status Word Register.....5-18
5-3	Program Status Word 1 Register.....5-19
6-1	Interrupt Control System.....6-2
6-2	Interrupt Enable Register.....6-6
6-3	Interrupt Priority High Register.....6-8
6-4	Interrupt Priority Low Register.....6-8
6-5	The Interrupt Process.....6-9
6-6	Response Time Example #1.....6-11
6-7	Response Time Example #2.....6-12
7-1	Port 1 and Port 3 Structure.....7-3
7-2	Port 0 Structure.....7-3
7-3	Port 2 Structure.....7-4
7-4	Internal Pullup Configurations.....7-7
8-1	Basic Logic of the Timer/Counters.....8-2
8-2	Timer 0/1 in Mode 0 and Mode 1.....8-4
8-3	Timer 0/1 in Mode 2, Auto-Reload.....8-5
8-4	Timer 0 in Mode 3, Two 8-bit Timers.....8-6
8-5	TMOD: Timer/Counter Mode Control Register.....8-7
8-6	TCON: Timer/Counter Control Register.....8-8
8-7	Timer 2: Capture Mode.....8-11
8-8	Timer 2: Auto Reload Mode (DCEN = 0).....8-12
8-9	Timer 2: Auto Reload Mode (DCEN = 1).....8-13
8-10	Timer 2: Clock Out Mode.....8-15
8-11	T2MOD: Timer 2 Mode Control Register.....8-16

## FIGURES

Figure	Page
8-12 T2CON: Timer 2 Control Register .....	8-17
9-1 Programmable Counter Array.....	9-3
9-2 PCA 16-bit Capture Mode .....	9-6
9-3 PCA Software Timer and High-speed Output Modes.....	9-8
9-4 PCA Watchdog Timer Mode.....	9-10
9-5 PCA 8-bit PWM Mode .....	9-11
9-6 PWM Variable Duty Cycle .....	9-12
9-7 CMOD: PCA Timer/Counter Mode Register.....	9-13
9-8 CCON: PCA Timer/Counter Control Register.....	9-14
9-9 CCAPMx: PCA Compare/Capture Module Mode Registers.....	9-15
10-1 Serial Port Block Diagram .....	10-2
10-2 SCON: Serial Port Control Register .....	10-3
10-3 Mode 0 Timing.....	10-5
10-4 Data Frame (Modes 1, 2, and 3) .....	10-6
10-5 Timer 2 in Baud Rate Generator Mode .....	10-13
11-1 Minimum Setup .....	11-1
11-2 CHMOS On-chip Oscillator.....	11-3
11-3 External Clock Connection .....	11-4
11-4 External Clock Drive Waveforms.....	11-5
11-5 Reset Timing Sequence .....	11-8
12-1 Power Control (PCON) Register.....	12-2
12-2 Idle and Powerdown Clock Control .....	12-3
13-1 Bus Structure in Nonpage Mode and Page Mode .....	13-1
13-2 External Code Fetch (Nonpage Mode).....	13-4
13-3 External Data Read (Nonpage Mode) .....	13-4
13-4 External Data Write (Nonpage Mode) .....	13-5
13-5 External Code Fetch (Page Mode).....	13-6
13-6 External Data Read (Page Mode) .....	13-7
13-7 External Data Write (Page Mode).....	13-7
13-8 External Code Fetch (Nonpage Mode, One RD#/PSEN# Wait State) .....	13-9
13-9 External Data Write (Nonpage Mode, One WR# Wait State) .....	13-9
13-10 External Code Fetch (Nonpage Mode, One ALE Wait State).....	13-10
13-11 Real-time Wait State Control Register (WCON).....	13-11
13-12 External Code Fetch/Data Read (Nonpage Mode, RT Wait State) .....	13-13
13-13 External Data Write (Nonpage Mode, RT Wait State).....	13-13
13-14 External Data Read (Page Mode, RT Wait State) .....	13-14
13-15 External Data Write (Page Mode, RT Wait State) .....	13-14
13-16 Configuration Byte Bus Cycles.....	13-15
13-17 Bus Diagram for Example 1: 80C251SB in Page Mode.....	13-18
13-18 Address Space for Example 1 .....	13-19
13-19 Bus Diagram for Example 2: 80C251SB in Page Mode.....	13-20
13-20 Address Space for Example 2 .....	13-21
13-21 Bus Diagram for Example 3: 87C251SB/83C251SB in Nonpage Mode .....	13-22
13-22 Address Space for Example 3.....	13-23

## FIGURES

<b>Figure</b>		<b>Page</b>
13-23	Bus Diagram for Example 4: 87C251SB/83C251SB in Nonpage Mode .....	13-24
13-24	Address Space for Example 4 .....	13-25
13-25	Bus Diagram for Example 5: 80C251SB in Nonpage Mode.....	13-27
13-26	Address Space for Examples 5 and 6 .....	13-28
13-27	Bus Diagram for Example 6: 80C251SB in Page Mode .....	13-29
13-28	Bus Diagram for Example 7: 80C251SB in Page Mode.....	13-30
14-1	Setup for Programming and Verifying Nonvolatile Memory.....	14-5
14-2	Program/Verify Bus Cycles.....	14-6
B-1	8XC251SA, SB, SP, SQ 44-pin PLCC Package .....	B-1
B-2	8XC251SA, SB, SP, SQ 40-pin PDIP and Ceramic DIP Packages .....	B-3

## TABLES

Table	Page
1-1 Intel Application Support Services.....	1-7
2-1 8XC251SA, SB, SP, SQ Features.....	2-3
3-1 Address Mappings.....	3-4
3-2 Minimum Times to Fetch Two Bytes of Code.....	3-9
3-3 Register Bank Selection.....	3-12
3-4 Dedicated Registers in the Register File and their Corresponding SFRs.....	3-15
3-5 8XC251SA, SB, SP, SQ SFR Map and Reset Values.....	3-17
3-6 Core SFRs.....	3-18
3-7 I/O Port SFRs.....	3-18
3-8 Serial I/O SFRs.....	3-19
3-9 Timer/Counter and Watchdog Timer SFRs.....	3-19
3-10 Programmable Counter Array (PCA) SFRs.....	3-19
4-1 External Addresses for Configuration Array.....	4-4
4-2 Memory Signal Selections (RD1:0).....	4-8
4-3 RD#, WR#, PSEN# External Wait States.....	4-13
4-4 Examples of Opcodes in Binary and Source Modes.....	4-14
5-1 Data Types.....	5-2
5-2 Notation for Byte Registers, Word Registers, and Dword Registers.....	5-3
5-3 Addressing Modes for Data Instructions in the MCS® 51 Architecture.....	5-6
5-4 Addressing Modes for Data Instructions in the MCS® 251 Architecture.....	5-7
5-5 Bit-addressable Locations.....	5-11
5-6 Addressing Two Sample Bits.....	5-12
5-7 Addressing Modes for Bit Instructions.....	5-12
5-8 Addressing Modes for Control Instructions.....	5-13
5-9 Compare-conditional Jump Instructions.....	5-14
5-10 The Effects of Instructions on the PSW and PSW1 Flags.....	5-17
6-1 Interrupt System Pin Signals.....	6-1
6-2 Interrupt System Special Function Registers.....	6-3
6-3 Interrupt Control Matrix.....	6-4
6-4 Level of Priority.....	6-7
6-5 Interrupt Priority Within Level.....	6-7
6-6 Interrupt Latency Variables.....	6-13
6-7 Actual vs. Predicted Latency Calculations.....	6-13
7-1 Input/Output Port Pin Descriptions.....	7-1
7-2 Instructions for External Data Moves.....	7-9
8-1 Timer/Counter and Watchdog Timer SFRs.....	8-2
8-2 External Signals.....	8-3
8-3 Timer 2 Modes of Operation.....	8-15
9-1 PCA Special Function Registers (SFRs).....	9-4
9-2 External Signals.....	9-4
9-3 PCA Module Modes.....	9-14
10-1 Serial Port Signals.....	10-1
10-2 Serial Port Special Function Registers.....	10-2
10-3 Summary of Baud Rates.....	10-10

## TABLES

<b>Table</b>	<b>Page</b>	
10-4	Timer 1 Generated Baud Rates for Serial I/O Modes 1 and 3.....	10-12
10-5	Selecting the Baud Rate Generator(s) .....	10-13
10-6	Timer 2 Generated Baud Rates .....	10-14
12-1	Pin Conditions in Various Modes.....	12-3
13-1	External Memory Interface Signals.....	13-2
13-2	Bus Cycle Definitions (No Wait States) .....	13-3
13-3	Port 0 and Port 2 Pin Status In Normal Operating Mode.....	13-16
14-1	Programming and Verifying Modes .....	14-4
14-2	Lock Bit Function .....	14-8
14-3	Contents of the Signature Bytes.....	14-9
A-1	Notation for Register Operands.....	A-2
A-2	Notation for Direct Addresses.....	A-3
A-3	Notation for Immediate Addressing .....	A-3
A-4	Notation for Bit Addressing.....	A-3
A-5	Notation for Destinations in Control Instructions .....	A-3
A-6	Instructions for MCS® 51 Microcontrollers.....	A-4
A-7	New Instructions for the MCS® 251 Architecture .....	A-5
A-8	Data Instructions .....	A-6
A-9	High Nibble, Byte 0 of Data Instructions.....	A-6
A-10	Bit Instructions .....	A-7
A-11	Byte 1 (High Nibble) for Bit Instructions.....	A-7
A-12	PUSH/POP Instructions .....	A-8
A-13	Control Instructions .....	A-8
A-14	Displacement/Extended MOVs.....	A-9
A-15	INC/DEC.....	A-10
A-16	Encoding for INC/DEC .....	A-10
A-17	Shifts .....	A-10
A-18	State Times to Access the Port SFRs .....	A-12
A-19	Summary of Add and Subtract Instructions .....	A-14
A-20	Summary of Compare Instructions.....	A-15
A-21	Summary of Increment and Decrement Instructions .....	A-16
A-22	Summary of Multiply, Divide, and Decimal-adjust Instructions.....	A-16
A-23	Summary of Logical Instructions .....	A-17
A-24	Summary of Move Instructions.....	A-19
A-25	Summary of Exchange, Push, and Pop Instructions .....	A-22
A-26	Summary of Bit Instructions.....	A-23
A-27	Summary of Control Instructions .....	A-24
A-28	Flag Symbols.....	A-26
B-1	PLCC/DIP Pin Assignments Listed by Functional Category.....	B-2
B-2	Signal Descriptions.....	B-3
B-3	Memory Signal Selections (RD1:0) .....	B-7
C-1	8XC251SA, SB, SP, SQ SFR Map.....	C-2
C-2	Core SFRs.....	C-3
C-3	I/O Port SFRs .....	C-3



## TABLES

<b>Table</b>		<b>Page</b>
C-4	Serial I/O SFRs .....	C-4
C-5	Timer/Counter and Watchdog Timer SFRs .....	C-4
C-6	Programmable Counter Array (PCA) SFRs.....	C-5
C-7	Register File .....	C-6





# 1

## Guide to This Manual





# CHAPTER 1

## GUIDE TO THIS MANUAL

This manual describes the 8XC251SA, SB, SP, SQ† embedded microcontroller, which is the first member of the Intel MCS® 251 microcontroller family. This manual is intended for use by both software and hardware designers familiar with the principles of microcontrollers.

### 1.1 MANUAL CONTENTS

This manual contains 14 chapters and 3 appendices. This chapter, Chapter 1, provides an overview of the manual. This section summarizes the contents of the remaining chapters and appendices. The remainder of this chapter describes notational conventions and terminology used throughout the manual and provides references to related documentation.

**Chapter 2, “Architectural Overview”** — provides an overview of device hardware. It covers core functions (pipelined CPU, clock and reset unit, and on-chip memory) and on-chip peripherals (timer/counters, watchdog timer, programmable counter array, and serial I/O port.)

**Chapter 3, “Address Spaces”** — describes the three address spaces of the MCS 251 microcontroller: memory address space, special function register (SFR) space, and the register file. It also provides a map of the SFR space showing the location of the SFRs and their reset values and explains the mapping of the address spaces of the MCS® 51 architecture into the address spaces of the MCS 251 architecture.

**Chapter 4, “Device Configuration”** — describes microcontroller features that are configured at device reset, including the external memory interface (the number of external address bits, the number of wait states, memory regions for asserting RD#, WR#, and PSEN#, page mode), binary/source opcodes, interrupt mode, and the mapping of a portion of on-chip code memory to data memory. It describes the configuration bytes and how to program them for the desired configuration. It also describes how internal memory space maps into external memory.

**Chapter 5, “Programming”** — provides an overview of the instruction set. It describes each instruction type (control, arithmetic, logical, etc.) and lists the instructions in tabular form. This chapter also discusses the addressing modes, bit instructions, and the program status words. Appendix A provides a detailed description of each instruction.

**Chapter 6, “Interrupt System”** — describes the 8XC251Sx interrupt circuitry which provides a TRAP instruction interrupt and seven maskable interrupts: two external interrupts, three timer interrupts, a PCA interrupt, and a serial port interrupt. This chapter also discusses the interrupt priority scheme, interrupt enable, interrupt processing, and interrupt response time.

---

† The 8XC251SA, SB, SP, SQ products are also collectively referred to as 8XC251Sx.

**Chapter 7, “Input/Output Ports”** — describes the four 8-bit I/O ports (ports 0–3) and discusses their configuration for general-purpose I/O, external memory accesses (ports 0, 2), and alternative special functions.

**Chapter 8, “Timer/Counters and WatchDog Timer”** — describes the three on-chip timer/counters and discusses their application. This chapter also provides instructions for using the hardware watchdog timer (WDT) and describes the operation of the WDT during the idle and powerdown modes.

**Chapter 9, “Programmable Counter Array”** — describes the PCA on-chip peripheral and explains how to configure it for general-purpose applications (timers and counters) and special applications (programmable WDT and pulse-width modulator).

**Chapter 10, “Serial I/O Port”** — describes the full-duplex serial I/O port and explains how to program it to communicate with external peripherals. This chapter also discusses baud rate generation, framing error detection, multiprocessor communications, and automatic address recognition.

**Chapter 11, “Minimum Hardware Setup”** — describes the basic requirements for operating the 8XC251Sx in a system. It also discusses on-chip and external clock sources and describes device resets, including power-on reset.

**Chapter 12, “Special Operating Modes”** — provides an overview of the idle, powerdown, and on-circuit emulation (ONCE) modes and describes how to enter and exit each mode. This chapter also describes the power control (PCON) special function register and lists the status of the device pins during the special modes and reset (Table 12-1).

**Chapter 13, “External Memory Interface”** — describes the external memory signals and bus cycles and provides examples of external memory design. It provides waveform diagrams for the bus cycles, bus cycles with wait states, and the configuration byte bus cycles. It also provides bus cycle diagrams with AC timing symbols and definitions of the symbols.

**Chapter 14, “Programming and Verifying Nonvolatile Memory”** — provides instructions for programming and verifying on-chip code memory, configuration bytes, signature bytes, lock bits and the encryption array.

**Appendix A, “Instruction Set Reference”** — provides reference information for the instruction set. It describes each instruction; defines the bits in the program status word registers (PSW, PSW1); shows the relationships between instructions and PSW flags; and lists hexadecimal op-codes, instruction lengths, and execution times. Chapter 5, “Programming,” includes a general discussion of the instruction set.

**Appendix B, “Signal Descriptions”** — describes the function(s) of each device pin. Descriptions are listed alphabetically by signal name. This appendix also provides a list of the signals grouped by functional category.

**Appendix C, “Registers”** — accumulates, for convenient reference, copies of the register definition figures that appear throughout the manual.

A glossary has been included for your convenience.

## 1.2 NOTATIONAL CONVENTIONS AND TERMINOLOGY

The following notations and terminology are used in this manual. The Glossary defines other terms with special meanings.

**#** The pound symbol (#) has either of two meanings, depending on the context. When used with a signal name, the symbol means that the signal is active low. When used in an instruction, the symbol prefixes an immediate value in immediate addressing mode.

***italics*** Italics identify variables and introduce new terminology. The context in which italics are used distinguishes between the two possible meanings.

Variables in registers and signal names are commonly represented by *x* and *y*, where *x* represents the first variable and *y* represents the second variable. For example, in register P*x,y*, *x* represents the variable [1–4] that identifies the specific port, and *y* represents the register bit variable [7:0]. Variables must be replaced with the correct values when configuring or programming registers or identifying signals.

**XXXX** Uppercase X (no italics) represents an unknown value or a “don’t care” state or condition. The value may be either binary or hexadecimal, depending on the context. For example, 2XAFH (hex) indicates that bits 11:8 are unknown; 10XX in binary context indicates that the two LSBs are unknown.

**Assert and Deassert** The terms *assert* and *deassert* refer to the act of making a signal active (enabled) and inactive (disabled), respectively. The active polarity (high/low) is defined by the signal name. Active-low signals are designated by a pound symbol (#) suffix; active-high signals have no suffix. To assert RD# is to drive it low; to assert ALE is to drive it high; to deassert RD# is to drive it high; to deassert ALE is to drive it low.

<b>Instructions</b>	Instruction mnemonics are shown in upper case to avoid confusion. When writing code, either upper case or lower case may be used.
<b>Logic 0 (Low)</b>	An input voltage level equal to or less than the maximum value of $V_{IL}$ or an output voltage level equal to or less than the maximum value of $V_{OL}$ . See data sheet for values.
<b>Logic 1 (High)</b>	An input voltage level equal to or greater than the minimum value of $V_{IH}$ or an output voltage level equal to or greater than the minimum value of $V_{OH}$ . See data sheet for values.
<b>Numbers</b>	Hexadecimal numbers are represented by a string of hexadecimal digits followed by the character <i>H</i> . Decimal and binary numbers are represented by their customary notations. That is, 255 is a decimal number and 1111 1111 is a binary number. In some cases, the letter <i>B</i> is added for clarity.
<b>Register Bits</b>	Bit locations are indexed by 7:0 for byte registers, 15:0 for word registers, and 31:0 for double-word (dword) registers, where bit 0 is the least-significant bit and 7, 15, or 31 is the most-significant bit. An individual bit is represented by the register name, followed by a period and the bit number. For example, PCON.4 is bit 4 of the power control register. In some discussions, bit names are used. For example, the name of PCON.4 is POF, the power-off flag.
<b>Register Names</b>	Register names are shown in upper case. For example, PCON is the power control register. If a register name contains a lowercase character, it represents more than one register. For example, CCAPMx represents the five registers: CCAPM0 through CCAPM4.
<b>Reserved Bits</b>	Some registers contain reserved bits. These bits are not used in this device, but they may be used in future implementations. Do not write a “1” to a reserved bit. The value read from a reserved bit is indeterminate.
<b>Set and Clear</b>	The terms <i>set</i> and <i>clear</i> refer to the value of a bit or the act of giving it a value. If a bit is <i>set</i> , its value is “1;” <i>setting</i> a bit gives it a “1” value. If a bit is <i>clear</i> , its value is “0;” <i>clearing</i> a bit gives it a “0” value.
<b>Signal Names</b>	Signal names are shown in upper case. When several signals share a common name, an individual signal is represented by the signal name followed by a number. Port pins are represented by the port abbreviation, a period, and the pin number (e.g., P0.0, P0.1). A pound symbol (#) appended to a signal name identifies an active-low signal.



**Units of Measure**

The following abbreviations are used to represent units of measure:

A	amps, amperes
DCV	direct current volts
Kbyte	kilobytes
K $\Omega$	kilo-ohms
mA	milliamps, milliamperes
Mbyte	megabytes
MHz	megahertz
ms	milliseconds
mW	milliwatts
ns	nanoseconds
pF	picofarads
W	watts
V	volts
$\mu$ A	microamps, microamperes
$\mu$ F	microfarads
$\mu$ s	microseconds
$\mu$ W	microwatts

**1.3 RELATED DOCUMENTS**

The following documents contain additional information that is useful in designing systems that incorporate the 8XC251S $x$  microcontroller. To order documents, please call Intel Literature Fulfillment (1-800-548-4725 in the U.S. and Canada; +44(0) 793-431155 in Europe).

<i>Embedded Microcontrollers</i>	Order Number 270646
<i>Embedded Processors</i>	Order Number 272396
<i>Embedded Applications</i>	Order Number 270648
<i>Packaging</i>	Order Number 240800

### 1.3.1 Data Sheet

The data sheet is included in *Embedded Microcontrollers* and is also available individually.

*8XC251SA, SB, SP, SQ High-Performance CHMOS Microcontroller (Commercial/Express)*      Order Number 272783

### 1.3.2 Application Notes

The following application notes apply to the MCS 251 microcontroller.

*AP-125, Designing Microcontroller Systems for Electrically Noisy Environments*      Order Number 210313

*AP-155, Oscillators for Microcontrollers*      Order Number 230659

*AP-708, Introducing the MCS® 251 Microcontroller—the 8XC251SB*      Order Number 272670

*AP-709, Maximizing Performance Using MCS® 251 Microcontroller—Programming the 8XC251SB*      Order Number 272671

*AP-710, Migrating from the MCS® 51 Microcontroller to the MCS 251 Microcontroller (8XC251SB)—Software and Hardware Considerations*      Order Number 272672

The following MCS 51 microcontroller application notes also apply to the MCS 251 microcontroller.

*AP70, Using the Intel MCS® 51 Boolean Processing Capabilities*      Order Number 203830

*AP-223, 8051 Based CRT Terminal Controller*      Order Number 270032

*AP-252, Designing With the 80C51BH*      Order Number 270068

*AP-425, Small DC Motor Control*      Order Number 270622

*AP-410, Enhanced Serial Port on the 83C51FA*      Order Number 270490

*AP-415, 83C51FA/FB PCA Cookbook*      Order Number 270609

*AP-476, How to Implement I<sup>2</sup>C Serial Communication Using Intel MCS® 51 Microcontrollers*      Order Number 272319

## 1.4 APPLICATION SUPPORT SERVICES

You can get up-to-date technical information from a variety of electronic support systems: the World Wide Web, CompuServe, the FaxBack\* service, and Intel’s Brand Products and Applications Support bulletin board service (BBS). These systems are available 24 hours a day, 7 days a week, providing technical information whenever you need it.

In the U.S. and Canada, technical support representatives are available to answer your questions between 5 a.m. and 5 p.m. Pacific Standard Time (PST). Outside the U.S. and Canada, please contact your local distributor. You can order product literature from Intel literature centers and sales offices.

Table 1-1 lists the information you need to access these services.

**Table 1-1. Intel Application Support Services**

Service	U.S. and Canada	Asia-Pacific and Japan	Europe
World Wide Web	URL: <a href="http://www.intel.com/">http://www.intel.com/</a>	URL: <a href="http://www.intel.com/">http://www.intel.com/</a>	URL: <a href="http://www.intel.com/">http://www.intel.com/</a>
CompuServe	go intel	go intel	go intel
FaxBack*	800-525-3019	503-264-6835 916-356-3105	+44(0)1793-496646
BBS	503-264-7999 916-356-3600	503-264-7999 916-356-3600	+44(0)1793-432955
Help Desk	800-628-8686 916-356-7999	Please contact your local distributor.	Please contact your local distributor.
Literature	800-548-4725	708-296-9333 +81(0)120 47 88 32	+44(0)1793-431155 England +44(0)1793-421777 France +44(0)1793-421333 Germany

### 1.4.1 World Wide Web

We offer a variety of technical and product information through the World Wide Web (URL: <http://www.intel.com/design/mcs96>). Also visit Intel’s Web site for financials, history, and news.

### 1.4.2 CompuServe Forums

Intel maintains several CompuServe forums that provide a means for you to gather information, share discoveries, and debate issues. Type “go intel” for access. The INTEL C forum is set up to support designers using various Intel components. For information about CompuServe access and service fees, call CompuServe at 1-800-848-8199 (U.S.) or 614-529-1340 (outside the U.S.).

### 1.4.3 FaxBack Service

The FaxBack service is an on-demand publishing system that sends documents to your fax machine. You can get product announcements, change notifications, product literature, device characteristics, design recommendations, and quality and reliability information from FaxBack 24 hours a day, 7 days a week.

Think of the FaxBack service as a library of technical documents that you can access with your phone. Just dial the telephone number and respond to the system prompts. After you select a document, the system sends a copy to your fax machine.

Each document is assigned an order number and is listed in a subject catalog. The first time you use FaxBack, you should order the appropriate subject catalogs to get a complete listing of document order numbers. Catalogs are updated twice monthly. In addition, daily update catalogs list the title, status, and order number of each document that has been added, revised, or deleted during the past eight weeks. The daily update catalogs are numbered with the subject catalog number followed by a zero. For example, for the complete microcontroller and flash catalog, request document number 2; for the daily update to the microcontroller and flash catalog, request document number 20.

The following catalogs and information are available at the time of publication:

1. *Solutions OEM* subscription form
2. Microcontroller and flash catalog
3. Development tools catalog
4. Systems catalog
5. Multimedia catalog
6. Multibus and iRMX<sup>®</sup> software catalog and BBS file listings
7. Microprocessor, PCI, and peripheral catalog
8. Quality and reliability and change notification catalog
9. iAL (Intel Architecture Labs) technology catalog

### 1.4.4 Bulletin Board System (BBS)

Intel's Brand Products and Applications Support bulletin board system (BBS) lets you download files to your PC. The BBS has the latest *ApBUILDER* software, hypertext manuals and datasheets, software drivers, firmware upgrades, application notes and utilities, and quality and reliability data.

Any customer with a PC and modem can access the BBS. The system provides automatic configuration support for 1200- through 19200-baud modems. Use these modem settings: no parity, 8 data bits, and 1 stop bit (N, 8, 1).

To access the BBS, just dial the telephone number (see Table 1-1 on page 1-7) and respond to the system prompts. During your first session, the system asks you to register with the system operator by entering your name and location. The system operator will set up your access account within 24 hours. At that time, you can access the files on the BBS.

#### **NOTE**

In the U.S. and Canada, you can get a BBS user's guide, a master list of BBS files, and lists of FaxBack documents by calling 1-800-525-3019. Use these modem settings: no parity, 8 data bits, and 1 stop bit (N, 8, 1).





2

# Architectural Overview







## CHAPTER 2 ARCHITECTURAL OVERVIEW

The 8XC251Sx is the first member of the MCS® 251 microcontroller family. This family of 8-bit microcontrollers is a high-performance upgrade of the widely-used MCS 51® microcontrollers. It extends features and performance while maintaining binary-code compatibility and pin compatibility with the 8XC51FX, so the impact on existing hardware and software is minimal. Typical control applications for the 8XC251Sx include copiers, scanners, CD ROMs, and tape drives. It is also well suited for communications applications, such as phone terminals, business/feature phones, and phone switching and transmission systems.

This manual covers all memory options of the 8XC251SA, SB, SP, SQ and these options are listed in Table 2-1.

All MCS 251 microcontrollers share a set of common features:

- 24-bit linear addressing and up to 16 Mbytes of memory
- a register-based CPU with registers accessible as bytes, words, and double words
- a page mode for accelerating external instruction fetches
- an instruction pipeline
- an enriched instruction set, including 16-bit arithmetic and logic instructions
- a 64-Kbyte extended stack space
- a minimum instruction-execution time of two clocks (vs. 12 clocks for MCS 51 microcontrollers)
- three types of wait state solutions: real-time, RD#/WR#/PSEN#, and ALE
- binary-code compatibility with MCS 51 microcontrollers

Several benefits are derived from these features:

- preservation of code written for MCS 51 microcontrollers
- a significant increase in core execution speed in comparison with MCS 51 microcontrollers at the same clock rate
- support for larger programs and more data
- increased efficiency for code written in C
- dynamic bus control through real-time wait state operations

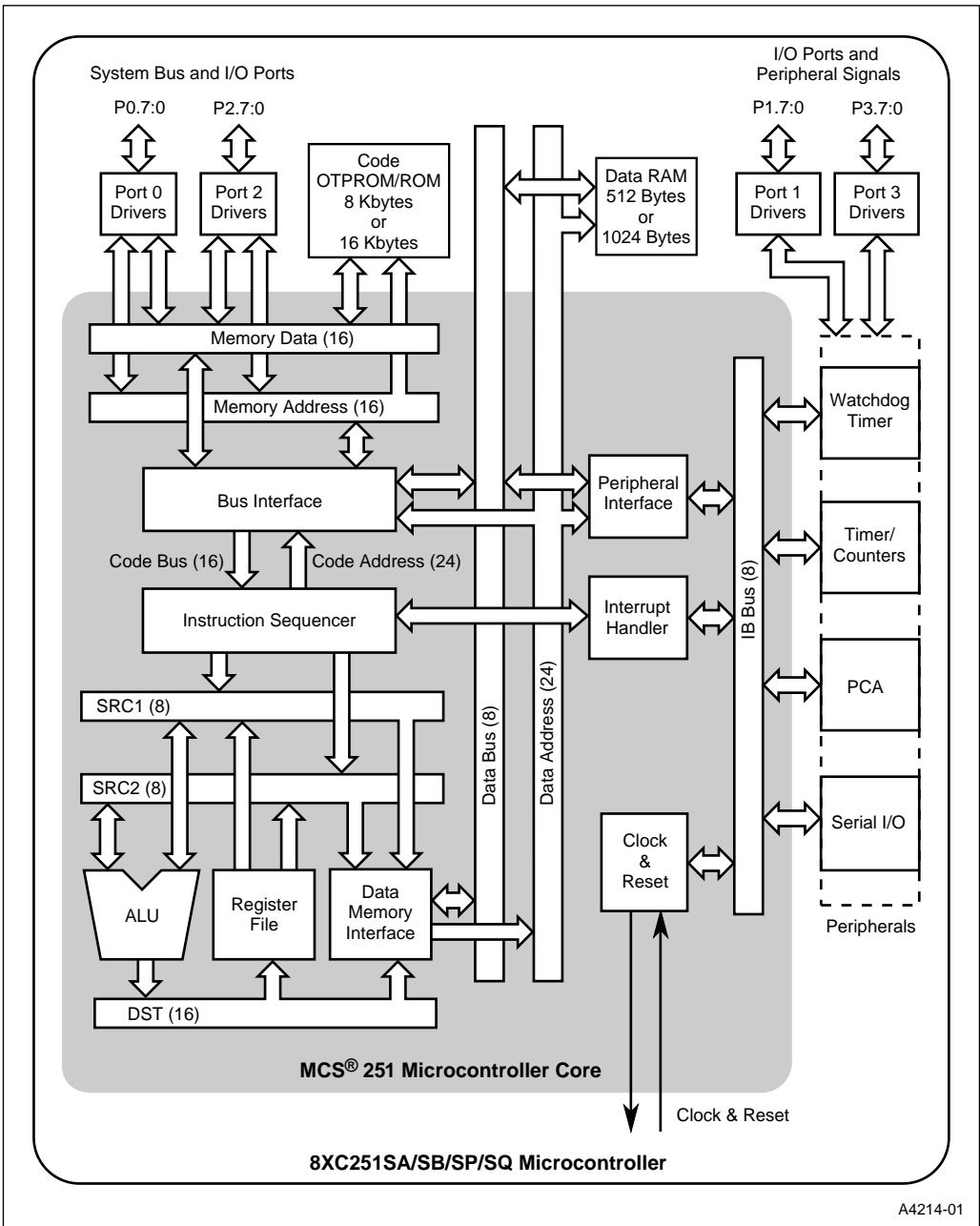


Figure 2-1. Functional Block Diagram of the 8XC251SA, SB, SP, SQ

## 2.1 8XC251SA, SB, SP, SQ ARCHITECTURE

Figure 2-1 is a functional block diagram of the 8XC251SA, SB, SP, SQ. The core, which is common to all MCS 251 microcontrollers, is described in section 2.2, “MCS 251 Microcontroller Core.” Each microcontroller type in the family has its own on-chip peripherals, I/O ports, external system bus, size of on-chip RAM, and type and size of on-chip program memory. Table 2-1 lists the distinguishing features of the product.

The 8XC251Sx peripherals include a dedicated watchdog timer, a timer/counter unit, a programmable counter array (PCA), and a serial I/O unit. The 8XC251Sx has four 8-bit I/O ports, P0–P3. Each port pin can be individually programmed as a general I/O signal or as a special-function signal that supports the external bus or one of the on-chip peripherals. Ports P0 and P2 comprise a 16-line external bus, which transmits a 16-bit address multiplexed with 8 data bits. (You can also configure the 8XC251Sx to have a 17-bit or an 18-bit external address bus. See section 4.5, “Configuring the External Memory Interface.” Ports P1 and P3 carry bus-control and peripheral signals.

**Table 2-1. 8XC251SA, SB, SP, SQ Features**

Device Number	On-chip Memory		
	OTPROM/EPROM (Kbytes)	ROM (Kbytes)	RAM (Bytes)
80C251SB	0	0	1024
80C251SQ	0	0	512
83C251SA	0	8	1024
83C251SB	0	16	1024
83C251SP	0	8	512
83C251SQ	0	16	512
87C251SA	8	0	1024
87C251SB	16	0	1024
87C251SP	8	0	512
87C251SQ	16	0	512
Common features:			
Address space	512 Kbytes		
External Address bus	16-bit, 17-bit, or 18-bit		
Register file	40 bytes		
I/O lines	32		
Interrupt sources	11		

The 8XC251Sx has two power-saving modes. In idle mode, the CPU clock is stopped, while clocks to the peripherals continue to run. In powerdown mode, the on-chip oscillator is stopped, and the chip enters a static state. An enabled interrupt or a hardware reset can bring the chip back to its normal operating mode from idle or powerdown. See Chapter 12, “Special Operating Modes,” for details on the power-saving modes.

MCS 251 microcontrollers use an instruction set that has been expanded to include new operations, addressing modes, and operands. Many instructions can operate on 8-, 16-, or 32-bit operands, providing easier and more efficient programming in high-level languages such as C. Additional new features include the TRAP instruction, a new displacement addressing mode, and several conditional jump instructions. Chapter 5, “Programming,” describes the instruction set and compares it with the instruction set for MCS 51 microcontrollers.

You can configure the 8XC251Sx to run in *binary mode* or *source mode*. Either mode executes all of the MCS 51 architecture instructions and all of the MCS 251 architecture instructions. However, source mode is more efficient for MCS 251 architecture instructions, and binary mode is more efficient for MCS 51 architecture instructions. In binary mode, object code for an MCS 51 microcontroller runs on the 8XC251Sx without recompiling.

If a system was originally developed using an MCS 51 microcontroller, and if the new 8XC251Sx-based system will run code written for the MCS 51 microcontroller, performance will be better with the 8XC251Sx running in binary mode. Object code written for the MCS 51 microcontroller runs faster on the 8XC251Sx.

However, if most of the code is rewritten using the new instruction set, performance will be better with the 8XC251Sx running in source mode. In this case the 8XC251Sx can run significantly faster than the MCS 51 microcontroller. See Chapter 4, “Device Configuration,” for a discussion of binary mode and source mode.

MCS 251 microcontrollers store both code and data in a single, linear 16-Mbyte memory space. The 8XC251Sx can address up to 256 Kbytes of external memory. The special function registers (SFRs) and the register file have separate address spaces. See Chapter 3, “Address Spaces,” for a description.

## 2.2 MCS 251 MICROCONTROLLER CORE

The MCS 251 microcontroller core contains the CPU, the clock and reset unit, the interrupt handler, the bus interface, and the peripheral interface. The CPU contains the instruction sequencer, ALU, register file, and data memory interface.

### 2.2.1 CPU

Figure 2-2 is a functional block diagram of the CPU (central processor unit). The 8XC251Sx fetches instructions from on-chip code memory two bytes at a time, or from external memory in single bytes. The instructions are sent over the 16-bit code bus to the execution unit. You can configure the 8XC251Sx to operate in *page mode* for accelerated instruction fetches from external memory. In page mode, if an instruction fetch is to the same 256-byte “page” as the previous fetch, the fetch requires one state (two clocks) rather than two states (four clocks).

The 8XC251Sx register file has forty registers, which can be accessed as bytes, words, and double words. As in the MCS 51 architecture, registers 0–7 consist of four banks of eight registers each, where the active bank is selected by the program status word (PSW) for fast context switches.

The 8XC251Sx is a single-pipeline machine. When the pipeline is full and code is executing from on-chip code memory, an instruction is completed every state time. When the pipeline is full and code is executing from external memory (with no wait states and no extension of the ALE signal), an instruction is completed every two state times.

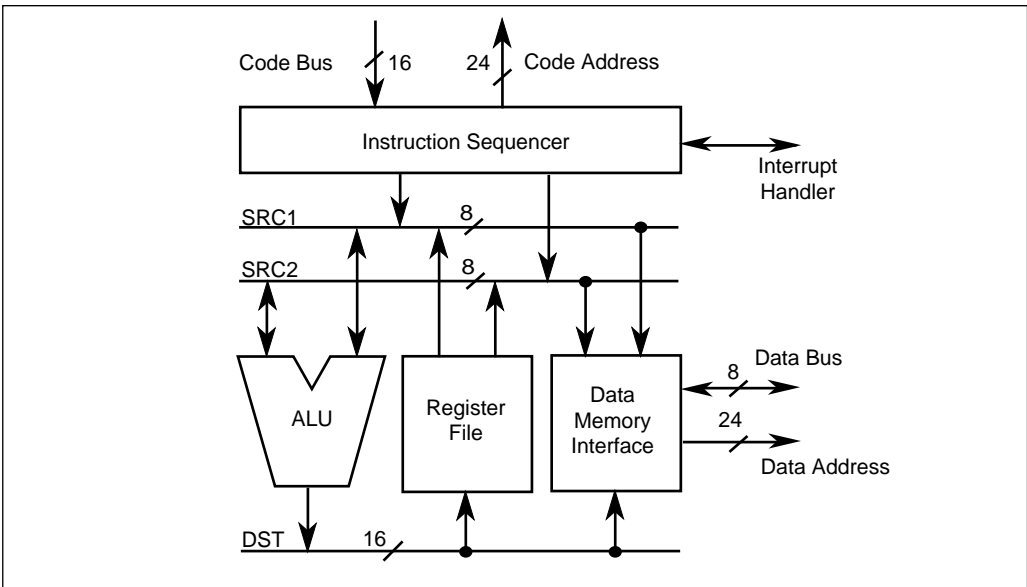


Figure 2-2. The CPU

### 2.2.2 Clock and Reset Unit

The timing source for the 8XC251Sx can be an external oscillator or an internal oscillator with an external crystal/resonator (see Chapter 11, “Minimum Hardware Setup”). The basic unit of time in MCS 251 microcontrollers is the *state time* (or *state*), which is two oscillator periods (see Figure 2-3). The state time is divided into *phase 1* and *phase 2*.

The 8XC251Sx peripherals operate on a *peripheral cycle*, which is six state times. (This peripheral cycle is particular to the 8XC251Sx and not a characteristic of the MCS 251 architecture.) A one-clock interval in a peripheral cycle is denoted by its state and phase. For example, the PCA timer is incremented once each peripheral cycle in phase 2 of state 5 (denoted as S5P2).

The reset unit places the 8XC251Sx into a known state. A chip reset is initiated by asserting the RST pin or allowing the watchdog timer to time out (see Chapter 11, “Minimum Hardware Setup”).

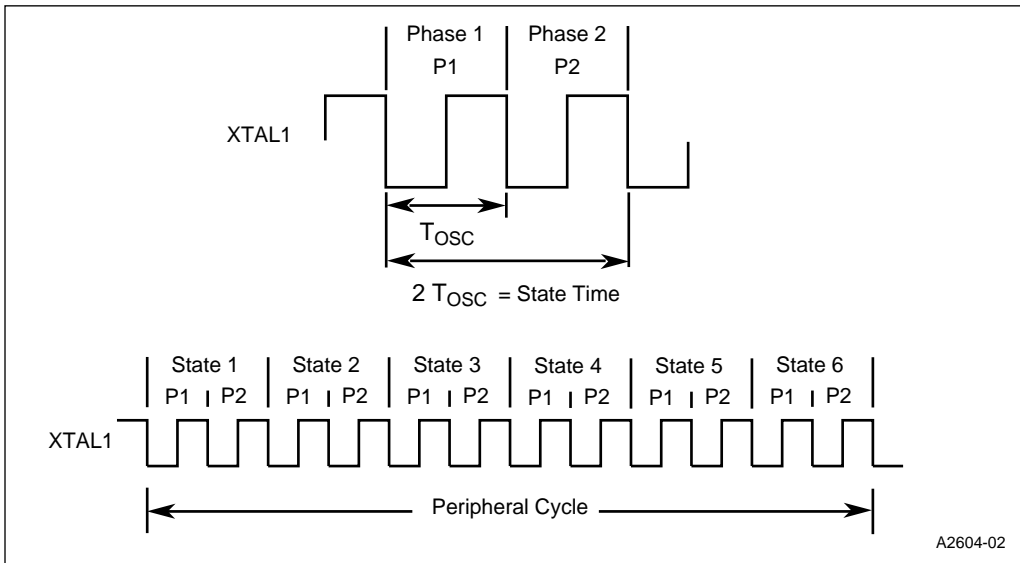


Figure 2-3. Clocking Definitions

### 2.2.3 Interrupt Handler

The interrupt handler can receive interrupt requests from eleven sources: seven maskable sources and the TRAP instruction. When the interrupt handler grants an interrupt request, the CPU discontinues the normal flow of instructions and branches to a routine that services the source that requested the interrupt. You can enable or disable the interrupts individually (except for TRAP) and you can assign one of four priority levels to each interrupt. See Chapter 6, “Interrupt System,” for a detailed description.

### 2.2.4 On-chip Code Memory

For 83C251SA (ROM) and 87C251SA (OTPROM/EPROM) devices, memory locations FF:0000H–FF:1FFFFH are implemented with 8-Kbytes of on-chip code memory. For 83C251SB and 87C251SB devices, memory locations FF:0000H–FF:3FFFFH are implemented with 16-Kbytes of on-chip code memory.

Following a reset, the first instruction is fetched from location FF:0000H. For 80C251Sx (no ROM/OTPROM/EPROM) devices, location FF:0000H is always in external memory.

### 2.2.5 On-chip RAM

The 8XC251SA and 8XC251SB have 1-Kbyte of on-chip data RAM at locations 20H–41FH. The 8XC251SP and 8XC251SQ have 512 bytes of on-chip data RAM at locations 20H–21FH. These RAM locations can be accessed with direct, indirect, and displacement addressing. Ninety-six of these locations (20H–7FH) are bit addressable. An additional 32 bytes of on-chip RAM (00H–1FH) provide storage for the four banks of registers R0–R7.

## 2.3 ON-CHIP PERIPHERALS

The on-chip peripherals, which lie outside the core, perform specialized functions. Software accesses the peripherals via their special function registers (SFRs). The 8XC251Sx has four peripherals: the watchdog timer, the timer/counters, the programmable counter array (PCA), and the serial I/O port.

### 2.3.1 Timer/Counters and Watchdog Timer

The timer/counter unit has three timer/counters, which can be clocked by the oscillator (for timer operation) or by an external input (for counter operation). You can set up an 8-bit, 13-bit, or 16-bit timer/counter, and you can program them for special applications, such as capturing the time of an event on an external pin, outputting a programmable clock signal on an external pin, or generating a baud rate for the serial I/O port. Timer/counter events can generate interrupt requests.

The watchdog timer is a circuit that automatically resets the 8XC251Sx in the event of a hardware or software upset. When enabled by software, the watchdog timer begins running, and unless software intervenes, the timer reaches a maximum count and initiates a chip reset. In normal operation, software periodically clears the timer register to prevent the reset. If an upset occurs and software fails to clear the timer, the resulting chip reset disables the timer and returns the system to a known state. The watchdog and the timer/counters are described in Chapter 8, “Timer/Counters and WatchDog Timer.”

### 2.3.2 Programmable Counter Array (PCA)

The programmable counter array (PCA) has its own timer and five capture/compare modules that perform several functions: capturing (storing) the timer value in response to a transition on an input pin; generating an interrupt request when the timer matches a stored value; toggling an output pin when the timer matches a stored value; generating a programmable PWM (pulse width modulator) signal on an output pin; and serving as a software watchdog timer. Chapter 9, “Programmable Counter Array,” describes this peripheral in detail.

### 2.3.3 Serial I/O Port

The serial I/O port provides one synchronous and three asynchronous communication modes. The synchronous mode (mode 0) is half-duplex: the serial port outputs a clock signal on one pin and transmits or receives data on another pin.

The asynchronous modes (modes 1–3) are full-duplex (i.e., the port can send and receive simultaneously). Mode 1 uses a serial frame of 10 bits: a start bit, 8 data bits, and a stop bit. The baud rate is generated by overflow of timer 1 or timer 2. Modes 2 and 3 use a serial frame of 11 bits: a start bit, eight data bits, a programmable ninth data bit, and a stop bit. The ninth bit can be used for parity checking or to specify that the frame contains an address and data. In mode 2, you can use a baud rate of 1/32 or 1/64 of the oscillator frequency. In mode 3, you can use the overflow from timer 1 or timer 2 to determine the baud rate.

In its synchronous modes (modes 1–3) the serial port can operate as a slave in an environment where multiple slaves share a single serial line. It can accept a message intended for itself or a message that is being broadcast to all of the slaves, and it can ignore a message sent to another slave.





3

# Address Spaces



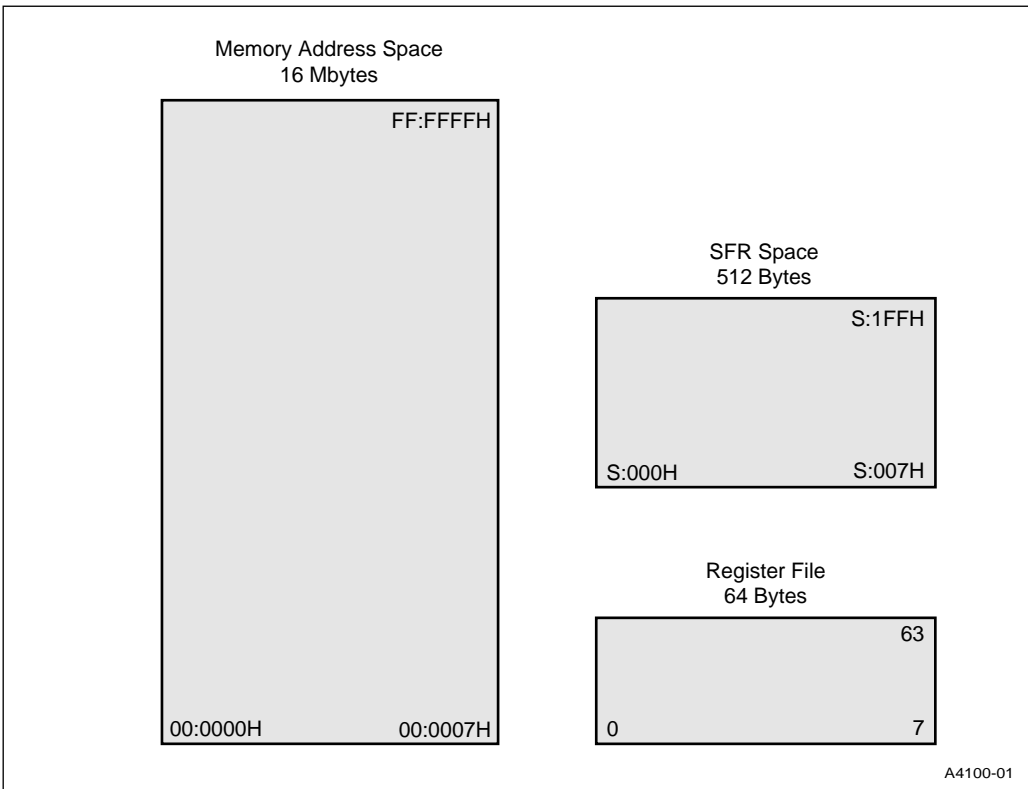


# CHAPTER 3 ADDRESS SPACES

MCS<sup>®</sup> 251 microcontrollers have three address spaces: a memory space, a special function register (SFR) space, and a register file. This chapter describes these address spaces as they apply to all MCS 251 microcontrollers and to the 8XC251Sx in particular. It also discusses the compatibility of the MCS 251 architecture and the MCS<sup>®</sup> 51 architecture in terms of their address spaces.

## 3.1 ADDRESS SPACES FOR MCS<sup>®</sup> 251 MICROCONTROLLERS

Figure 3-1 shows the memory space, the SFR space, and the register file for MCS 251 microcontrollers. (The address spaces are depicted as being eight bytes wide with addresses increasing from left to right and from bottom to top.)



**Figure 3-1. Address Spaces for MCS<sup>®</sup> 251 Microcontrollers**

It is convenient to view the unsegmented, 16-Mbyte memory space as consisting of 256 64-Kbyte regions, numbered 00: to FF:.

#### NOTE

The memory space in the MCS 251 architecture is unsegmented. The 64-Kbyte “regions” 00:, 01:, ..., FF: are introduced only as a convenience for discussions. Addressing in the MCS 251 architecture is linear; there are **no** segment registers.

MCS 251 microcontrollers can have up to 64 Kbytes of on-chip code memory in region FF:. On-chip data RAM begins at location 00:0000H. The first 32 bytes (00:0000H–00:001FH) provide storage for a part of the register file. On-chip, general-purpose data RAM begins at 00:0020H. The sizes of the on-chip code memory and on-chip RAM depend on the particular device.

The register file has its own address space (Figure 3-1). The 64 locations in the register file are numbered decimally from 0 to 63. Locations 0–7 represent one of four switchable register banks, each having 8 registers. The 32 bytes required for these banks occupy locations 00:0000H–00:001FH in the memory space. Register file locations 8–63 do not appear in the memory space. See “8XC251SA, SB, SP, SQ Register File” on page 3-10 for a further description of the register file.

The SFR space can accommodate up to 512 8-bit special function registers with addresses S:000H–S:1FFH. Some of these locations may be unimplemented in a particular device. In the MCS 251 architecture, the prefix “S:” is used with SFR addresses to distinguish them from the memory space addresses 00:0000H–00:01FFH. See “Special Function Registers (SFRs)” on page 3-16 for details on the SFR space.

### 3.1.1 Compatibility with the MCS<sup>®</sup> 51 Architecture

The address spaces in the MCS 51 architecture<sup>†</sup> are mapped into the address spaces in the MCS 251 architecture. This mapping allows code written for MCS 51 microcontrollers to run on MCS 251 microcontrollers. (Chapter 5, “Programming,” discusses the compatibility of the two instruction sets.)

Figure 3-2 shows the address spaces for the MCS 51 architecture. Internal data memory locations 00H–7FH can be addressed directly and indirectly. Internal data locations 80H–FFH can only be addressed indirectly. Directly addressing these locations accesses the SFRs. The 64-Kbyte code memory has a separate memory space. Data in the code memory can be accessed only with the MOVC instruction. Similarly, the 64-Kbyte external data memory can be accessed only with the MOVX instruction.

---

<sup>†</sup> MCS<sup>®</sup>51 Microcontroller Family User's Manual

The register file (registers R0–R7) comprises four switchable register banks, each having eight registers. The 32 bytes required for the four banks occupy locations 00H–1FH in the on-chip data memory.

Figure 3-3 shows how the address spaces in the MCS 51 architecture map into the address spaces in the MCS 251 architecture; details are listed in Table 3-1.

The 64-Kbyte code memory for MCS 51 microcontrollers maps into region FF: of the memory space for MCS 251 microcontrollers. Assemblers for MCS 251 microcontrollers assemble code for MCS 51 microcontrollers into region FF:, and data accesses to code memory are directed to this region. The assembler also maps the interrupt vectors to region FF:. This mapping is transparent to the user; code executes just as before, without modification.

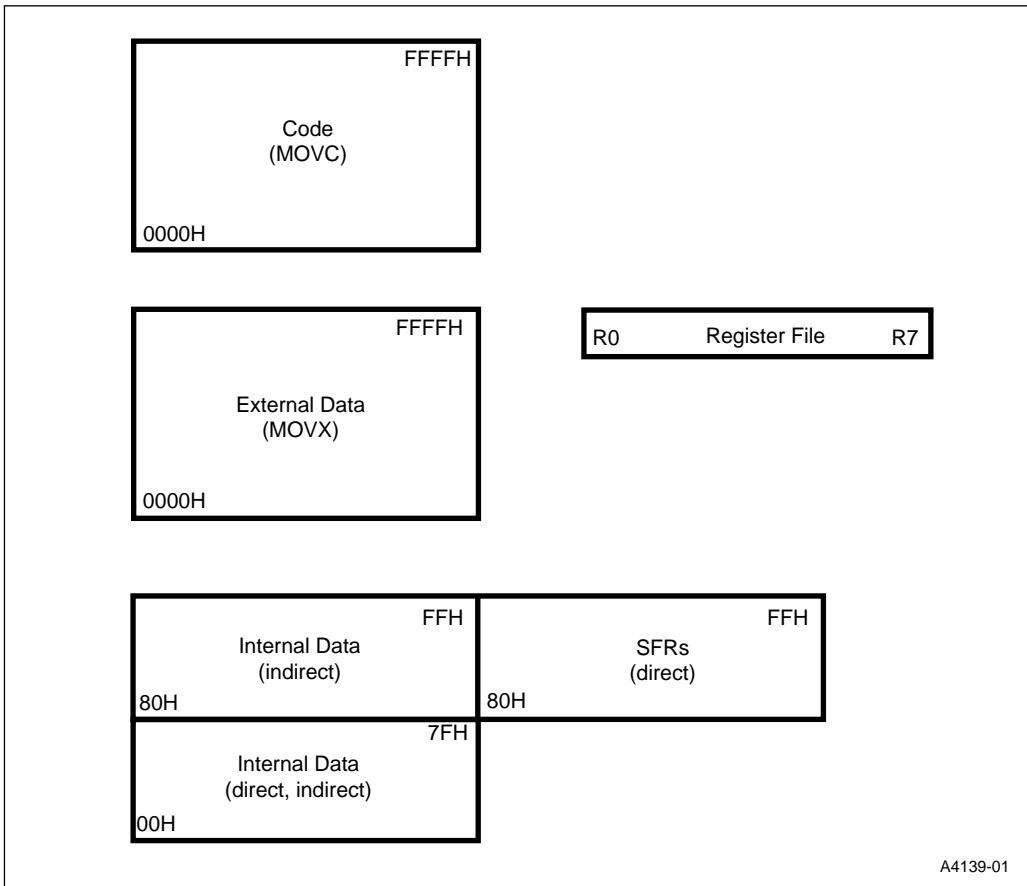


Figure 3-2. Address Spaces for the MCS® 51 Architecture

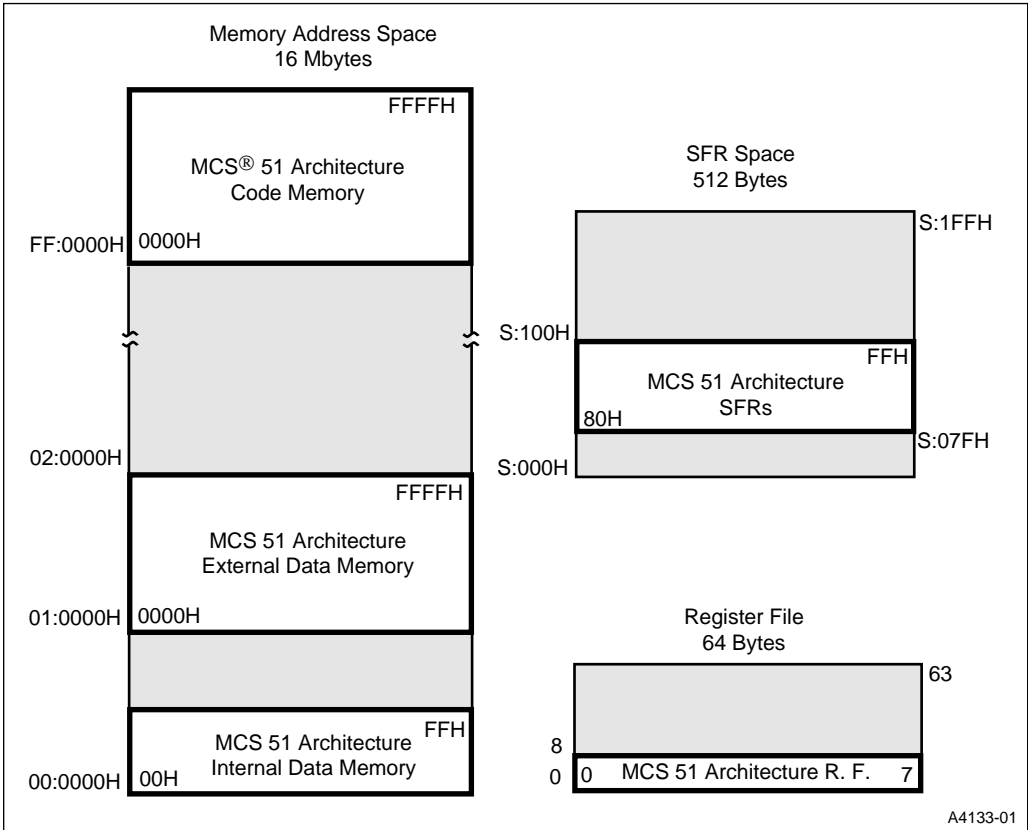


Figure 3-3. Address Space Mappings MCS<sup>®</sup> 51 Architecture to MCS<sup>®</sup> 251 Architecture

Table 3-1. Address Mappings

Memory Type	MCS <sup>®</sup> 51 Architecture			MCS <sup>®</sup> 251 Architecture
	Size	Location	Data Addressing	Location
Code	64 Kbytes	0000H–FFFFH	Indirect using MOVC instr.	FF:0000H–FF:FFFFH
External Data	64 Kbytes	0000H–FFFFH	Indirect using MOVX instr.	01:0000H–01:FFFFH
Internal Data	128 bytes	00H–7FH	Direct, Indirect	00:0000H–00:007FH
	128 bytes	80H–FFH	Indirect	00:0080H–00:00FFH
SFRs	128 bytes	S:80H–S:FFH	Direct	S:080H–S:0FFH
Register File	8 bytes	R0–R7	Register	R0–R7

The 64-Kbyte external data memory for MCS 51 microcontrollers is mapped into the memory region specified by bits 16–23 of the data pointer DPX, i.e., DPXL. DPXL is accessible as register file location 57 and also as the SFR at S:084H (see “Dedicated Registers” on page 3-13). The reset value of DPXL is 01H, which maps the external memory to region 01: as shown in Figure 3-3. You can change this mapping by writing a different value to DPXL. A mapping of the MCS 51 microcontroller external data memory into any 64-Kbyte memory region in the MCS 251 architecture provides complete run-time compatibility because the lower 16 address bits are identical in the two address spaces.

The 256 bytes of on-chip data memory for MCS 51 microcontrollers (00H-FFH) are mapped to addresses 00:0000H-00:00FFH to ensure complete run-time compatibility. In the MCS 51 architecture, the lower 128 bytes (00H-7FH) are directly and indirectly addressable; however the upper 128 bytes are accessible by indirect addressing only. In the MCS 251 architecture, all locations in region 00: are accessible by direct, indirect, and displacement addressing (see “8XC251SA, SB, SP, SQ Memory Space” on page 3-5).

The 128-byte SFR space for MCS 51 microcontrollers is mapped into the 512-byte SFR space of the MCS 251 architecture starting at address S:080H, as shown in Figure 3-3. This provides complete compatibility with direct addressing of MCS 51 microcontroller SFRs (including bit addressing). The SFR addresses are unchanged in the new architecture. In the MCS 251 architecture, SFRs A, B, DPL, DPH, and SP (as well as the new SFRs DPXL and SPH) reside in the register file for high performance. However, to maintain compatibility, they are also mapped into the SFR space at the same addresses as in the MCS 51 architecture.

### 3.2 8XC251SA, SB, SP, SQ MEMORY SPACE

Figure 3-4 shows the logical memory space for the 8XC251Sx microcontroller. The usable memory space of the 8XC251Sx consists of four 64-Kbyte regions: 00:, 01:, FE:, and FF:. Code can execute from all four regions; code execution begins at FF:0000H. Regions 02:–FD: are reserved. Reading a location in the reserved area returns an unspecified value. Software can execute a write to the reserved area, but nothing is actually written.

All four regions of the memory space are available at the same time. The maximum number of external address lines is 18, which limits external memory to a maximum of four regions (256 Kbytes). See “Configuring the External Memory Interface” on page 4-8 and “External Memory Design Examples” on page 13-18.

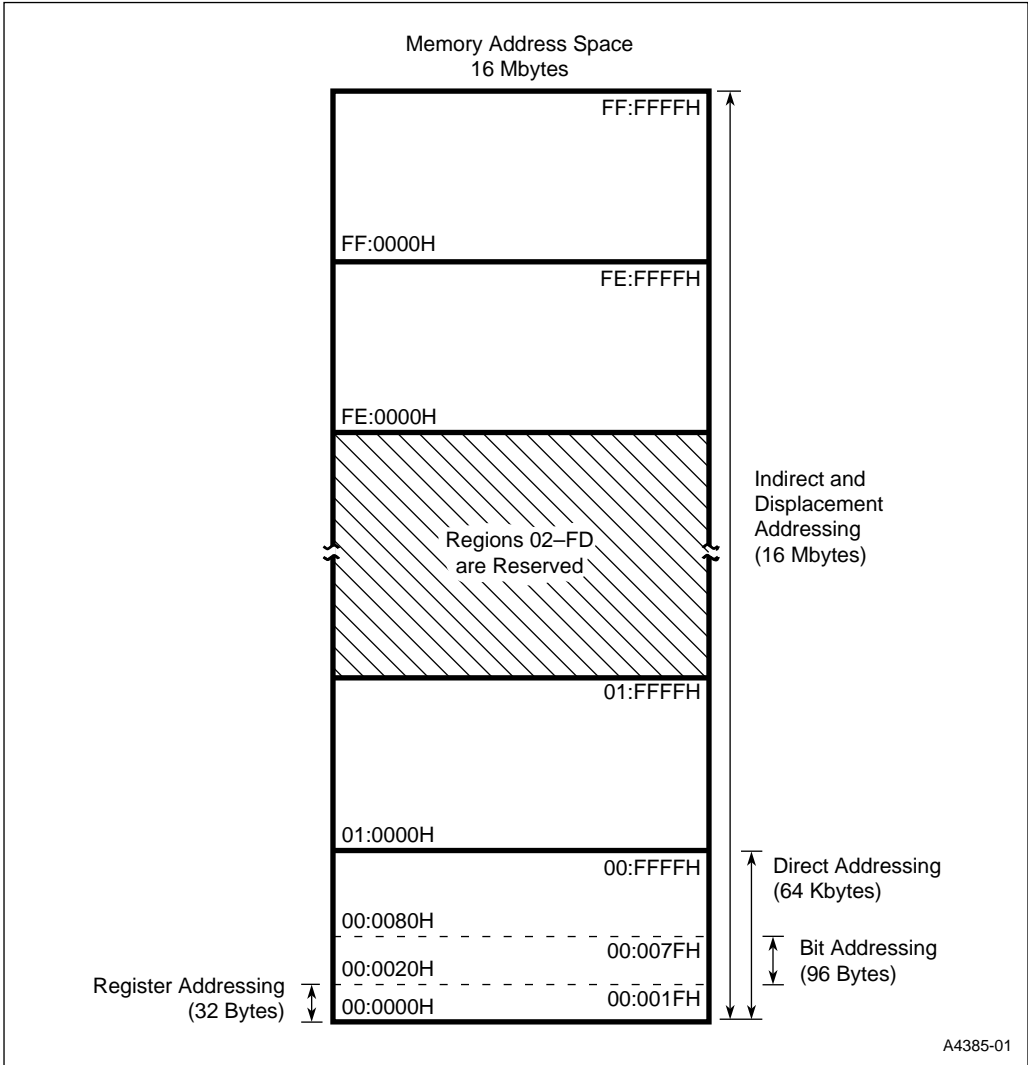


Figure 3-4. 8XC251SA, SB, SP, SQ Address Space



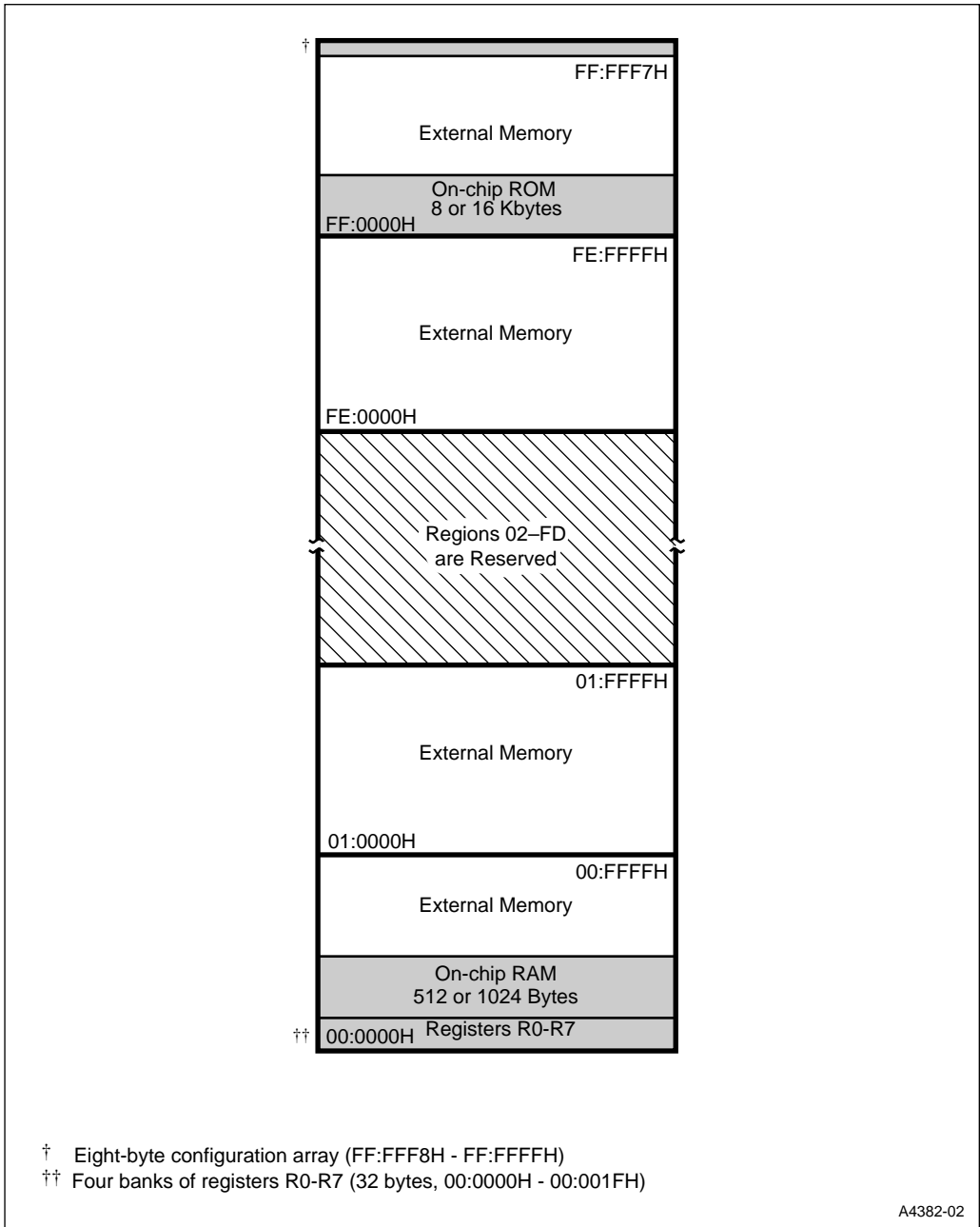


Figure 3-5. Hardware Implementation of the 8XC251SA, SB, SP, SQ Address Space

Locations FF:FFF8H–FF:FFFFH are reserved for the configuration array (see Chapter 4, “Device Configuration”). The two configuration bytes for the 8XC251S $x$  are accessed at locations FF:FFF8H and FF:FFF9H; locations FF:FFFAH–FF:FFFFH are reserved for configuration bytes in future products. Do not attempt to execute code from locations FF:FFF8H–FF:FFFFH. Also, see the caution on page 4-2 regarding execution of code from locations immediately below the configuration array.

Figure 3-4 also indicates the addressing modes that can be used to access different areas of memory. The first 64 Kbytes can be directly addressed. The first 96 bytes of general-purpose RAM (00:0020H–00:007FH) are bit addressable. Chapter 5, “Programming,” discusses addressing modes.

Figure 3-5 on page 3-7 shows how areas of the memory space are implemented by on-chip RAM, on-chip ROM/OTPROM/EPROM, and external memory. The first 32 bytes of on-chip RAM store banks 0–3 of the register file (see “8XC251SA, SB, SP, SQ Register File” on page 3-10).

### 3.2.1 On-chip General-purpose Data RAM

On-chip RAM (512 bytes or 1 Kbyte) is provided for general data storage (Figure 3-5). Instructions cannot execute from on-chip data RAM. The data is accessible by direct, indirect, and displacement addressing. Locations 00:0020H–00:007FH are also bit addressable.

### 3.2.2 On-chip Code Memory (83C251SA, SB, SP, SQ/87C251SA, SB, SP, SQ)

The 8XC251S $x$  is available with 8 Kbytes or 16 Kbytes of on-chip ROM (83C251S $x$ ) or OTPROM/EPROM (87C251S $x$ ) as well as without on-chip code memory (Figure 3-5). Table 2-1 on page 2-3 lists the amount of on-chip code memory for each device. The on-chip ROM/OTPROM/EPROM is intended primarily for code storage, although its contents can also be read as data with the indirect and displacement addressing modes. Following a chip reset, program execution begins at FF:0000H. Chapter 14, “Programming and Verifying Nonvolatile Memory,” describes programming and verification of the ROM/OTPROM/EPROM.

A code fetch within the address range of the on-chip ROM/OTPROM/EPROM accesses the on-chip ROM/OTPROM/EPROM only if EA# = 1. For EA# = 0, a code fetch in this address range accesses external memory. The value of EA# is latched when the chip leaves the reset state. Code is fetched faster from on-chip code memory than from external memory. Table 3-2 lists the minimum times to fetch two bytes of code from on-chip memory and external memory.

**Table 3-2. Minimum Times to Fetch Two Bytes of Code**

Type of Code Memory	State Times
On-chip Code Memory	1
External Memory (page mode)	2
External Memory (nonpage mode)	4

**NOTE**

If your program executes exclusively from on-chip ROM/OTPROM/EPROM (not from external memory), beware of executing code from the upper eight bytes of the on-chip ROM/OTPROM/EPROM (FF:1FF8H–FF:1FFFH for 8 Kbytes, FF:3FF8H–FF:3FFFH for 16 Kbytes). Because of its pipeline capability, the 8XC251S<sub>x</sub> may attempt to prefetch code from external memory (at an address above FF:1FFFH/FF:3FFFH) and thereby disrupt I/O ports 0 and 2. Fetching code constants from these eight bytes does not affect ports 0 and 2.

If your program executes from both on-chip ROM/OTPROM/EPROM and external memory, your code can be placed in the upper eight bytes of the on-chip ROM/OTPROM/EPROM. As the 8XC251S<sub>x</sub> fetches bytes above the top address in the on-chip ROM/OTPROM/EPROM, the code fetches automatically become external bus cycles. In other words, the rollover from on-chip ROM/OTPROM/EPROM to external code memory is transparent to the user.

**3.2.2.1 Accessing On-chip Code Memory in Region 00:**

The 87C251SB, SQ and the 83C251SB, SQ can be configured so that the upper half of the 16-Kbyte on-chip code memory can also be read as data at locations in the top of region 00: (see “Configuration Bytes” on page 14-7). That is, locations FF:2000H–FF:3FFFH can also be accessed at locations 00:E000H–00:FFFFH. This is useful for accessing code constants stored in ROM/OTPROM/EPROM. Note, however, that all of the following three conditions must hold for this mapping to be effective:

- The device is configured with EMAP# = 0 in the UCONFIG1 register (See Chapter 4).
- EA# = 1.
- The access to this area of region 00: is a data read, not a code fetch.

If one or more of these conditions do not hold, accesses to the locations in region 00: are referred to external memory.

**NOTE**

Remapping does **not** apply to the 87C251SA, SP and the 83C251SA, SP.

### 3.2.3 External Memory

Regions 01:, FE:, and portions of regions 00: and FF: of the memory space are implemented as external memory (Figure 3-5 on page 3-7). For discussions of external memory see “Configuring the External Memory Interface” on page 4-8 and Chapter 13, “External Memory Interface.”

## 3.3 8XC251SA, SB, SP, SQ REGISTER FILE

The 8XC251Sx register file consists of 40 locations: 0–31 and 56–63, as shown in Figure 3-6. These locations are accessible as bytes, words, and dwords, as described in “Byte, Word, and Dword Registers” on page 3-13. Several locations are dedicated to special registers (see “Dedicated Registers” on page 3-13); the others are general-purpose registers.

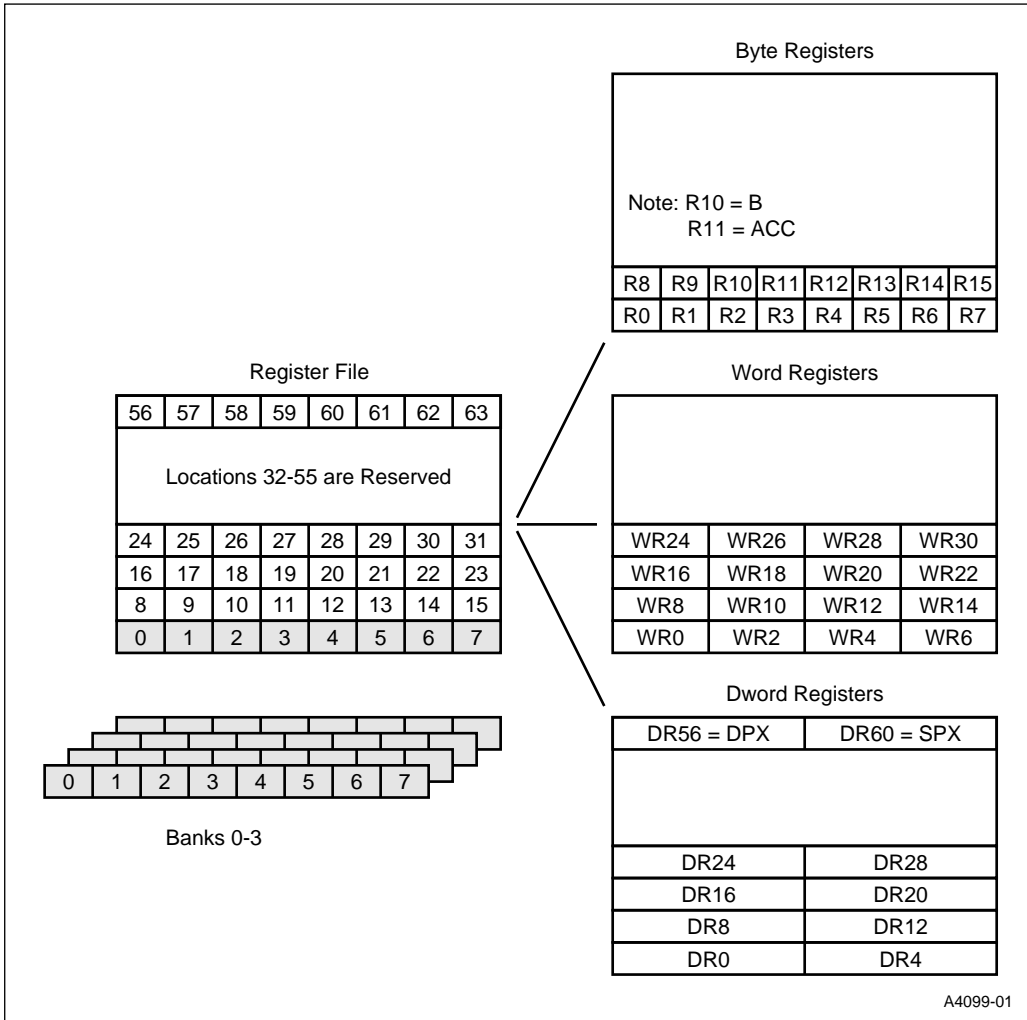


Figure 3-6. The Register File

Register file locations 0–7 actually consist of four switchable banks of eight registers each, as illustrated in Figure 3-7. The four banks are implemented as the first 32 bytes of on-chip RAM and are always accessible as locations 00:0000H–00:001FH in the memory address space.† Only one of the four banks is accessible via the register file at a given time. The accessible, or “active,” bank is selected by bits RS1 and RS0 in the PSW register, as shown in Table 3-3. (The PSW is described in “Program Status Words” on page 5-16.) This bank selection can be used for fast context switches.

Register file locations 8–31 and 56–63 are always accessible. These locations are implemented as registers in the CPU. Register file locations 32–55 are reserved and cannot be accessed.

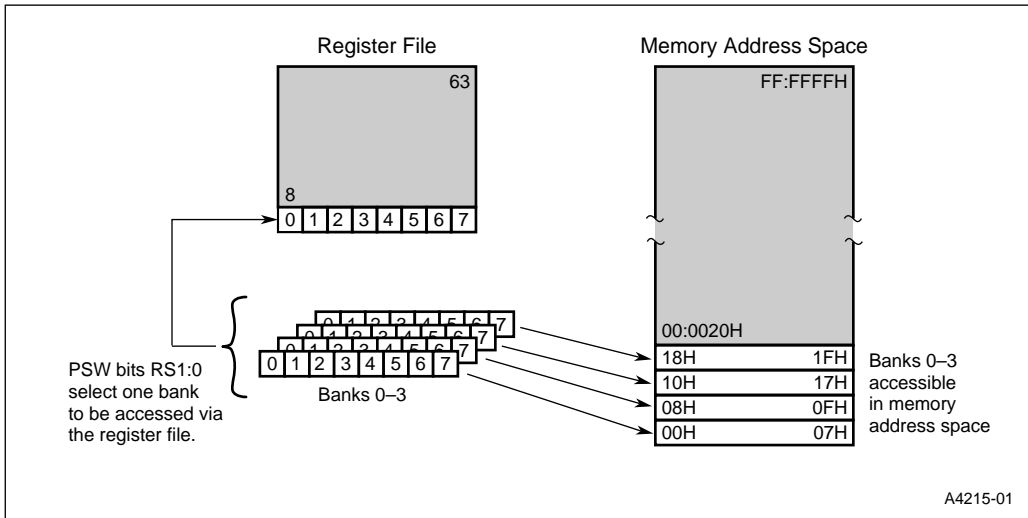


Figure 3-7. Register File Locations 0–7

Table 3-3. Register Bank Selection

Bank	Address Range	PSW Selection Bits	
		RS1	RS0
Bank 0	00H–07H	0	0
Bank 1	08H–0FH	0	1
Bank 2	10H–17H	1	0
Bank 3	18H–1FH	1	1

† Because these locations are dedicated to the register file, they are not considered a part of the general-purpose, 1-Kbyte, on-chip RAM (locations 00:0020H–00:041FH).

### 3.3.1 Byte, Word, and Dword Registers

Depending on its location in the register file, a register is addressable as a byte, a word, and/or a dword, as shown on the right side of Figure 3-6. A register is named for its lowest numbered byte location. For example:

R4 is the byte register consisting of location 4.

WR4 is the word register consisting of registers 4 and 5.

DR4 is the dword register consisting of registers 4–7.

Locations R0–R15 are addressable as bytes, words, or dwords. Locations 16–31 are addressable only as words or dwords. Locations 56–63 are addressable only as dwords. Registers are addressed only by the names shown in Figure 3-6 — except for the 32 registers that comprise the four banks of registers R0–R7, which can also be accessed as locations 00:0000H–00:001FH in the memory space.

### 3.3.2 Dedicated Registers

The register file has four dedicated registers:

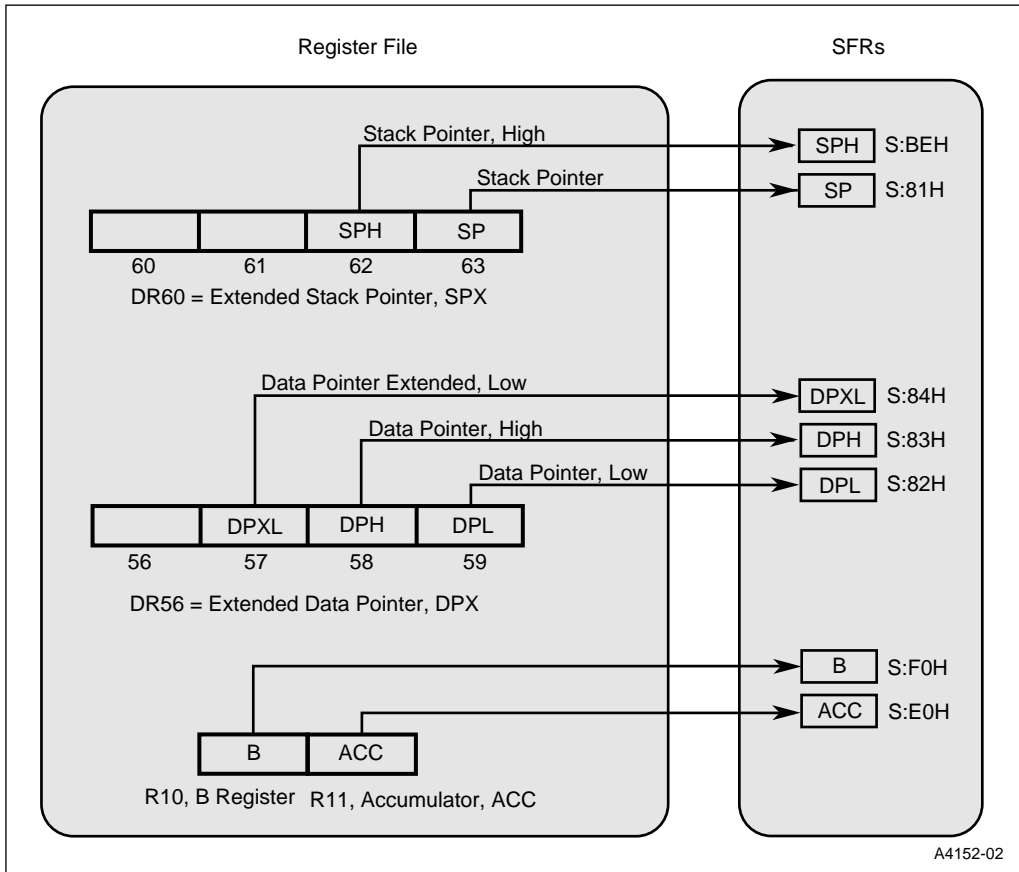
- R10 is the B-register
- R11 is the accumulator (ACC)
- DR56 is the extended data pointer, DPX
- DR60 is the extended stack pointer, SPX

These registers are located in the register file; however, R10, R11, and some bytes of DR56 and DR60 are also accessible as SFRs. The bytes of DPX and SPX can be accessed in the register file only by addressing the dword registers. The dedicated registers in the register file and their corresponding SFRs are illustrated in Figure 3-8 and listed in Table 3-4.

#### 3.3.2.1 Accumulator and B Register

The 8-bit *accumulator* (ACC) is byte register R11, which is also accessible in the SFR space as ACC at S:E0H (Figure 3-8). The *B register*, used in multiplies and divides, is register R10, which is also accessible in the SFR space as B at S:F0H. Accessing ACC or B as a register is one state faster than accessing them as SFRs.

Instructions in the MCS 51 architecture use the accumulator as the primary register for data moves and calculations. However, in the MCS 251 architecture, any of registers R1–R15 can serve for these tasks†. As a result, the accumulator does not play the central role that it has in MCS 51 microcontrollers.



**Figure 3-8. Dedicated Registers in the Register File and their Corresponding SFRs**

† Bits in the PSW and PSW1 registers reflect the status of the accumulator. There are no equivalent status indicators for the other registers.



### 3.3.2.2 Extended Data Pointer, DPX

Dword register DR56 is the *extended data pointer*, DPX (Figure 3-8). The lower three bytes of DPX (DPL, DPH, and DPXL) are accessible as SFRs. DPL and DPH comprise the 16-bit *data pointer* DPTR. While instructions in the MCS 51 architecture always use DPTR as the data pointer, instructions in the MCS 251 architecture can use any word or dword register as a data pointer.

DPXL, the byte in location 57, specifies the region of memory (00:–FF:) that maps into the 64-Kbyte external data memory space in the MCS 51 architecture. In other words, the MOVX instruction addresses the region specified by DPXL when it moves data to and from external memory. The reset value of DPXL is 01H.

### 3.3.2.3 Extended Stack Pointer, SPX

Dword register DR60 is the *stack pointer*, SPX (Figure 3-8). The byte at location 63 is the 8-bit stack pointer, SP, in the MCS 51 architecture. The byte at location 62 is the *stack pointer high*, SPH. The two bytes allow the stack to extend to the top of memory region 00:. SP and SPH can be accessed as SFRs.

Two instructions, PUSH and POP directly address the stack pointer. Subroutine calls (ACALL, ECALL, LCALL) and returns (ERET, RET, RETI) also use the stack pointer. To preserve the stack, do not use DR60 as a general-purpose register.

**Table 3-4. Dedicated Registers in the Register File and their Corresponding SFRs**

Register File					SFRs		
Name		Mnemonic	Reg.	Location	Mnemonic	Address	
Stack Pointer (SPX)	—	—	DR60	60	—	—	
	—	—		61	—	—	
	Stack Pointer, High	SPH		62	SPH	S:BEH	
	Stack Pointer, Low	SP		63	SP	S:81H	
Data Pointer (DPX)	—	—	DR56	56	—	—	
	Data Pointer, Extended Low	DPXL		57	DPXL	S:84H	
	DPTR	Data Pointer, High		DPH	58	DPH	S:83H
		Data Pointer, Low		DPL	59	DPL	S:82H
Accumulator (A Register)		A	R11	11	ACC	S:E0H	
B Register		B	R10	10	B	S:F0H	

### 3.4 SPECIAL FUNCTION REGISTERS (SFRS)

The special function registers (SFRs) reside in their associated on-chip peripherals or in the core. Table 3-5 shows the SFR address space with the SFR mnemonics and reset values. SFR addresses are preceded by “S:” to differentiate them from addresses in the memory space. Unoccupied locations in the SFR space (the shaded locations in Table 3-5) are unimplemented, i.e., no register exists. If an instruction attempts to write to an unimplemented SFR location, the instruction executes, but nothing is actually written. If an unimplemented SFR location is read, it returns an unspecified value.

#### NOTE

SFRs may be accessed only as bytes; they may not be accessed as words or dwords.

**Table 3-5. 8XC251SA, SB, SP, SQ SFR Map and Reset Values**

	0/8	1/9	2/A	3/B	4/C	5/D	6/E	7/F	
F8		CH 00000000	CCAP0H xxxxxxx	CCAP1H xxxxxxx	CCAP2H xxxxxxx	CCAP3H xxxxxxx	CCAP4H xxxxxxx		FF
F0	B 00000000								F7
E8		CL 00000000	CCAP0L xxxxxxx	CCAP1L xxxxxxx	CCAP2L xxxxxxx	CCAP3L xxxxxxx	CCAP4L xxxxxxx		EF
E0	ACC 00000000								E7
D8	CCON 00x00000	CMOD 00xxx000	CCAPM0 x0000000	CCAPM1 x0000000	CCAPM2 x0000000	CCAPM3 x0000000	CCAPM4 x0000000		DF
D0	PSW 00000000	PSW1 00000000							D7
C8	T2CON 00000000	T2MOD xxxxx00	RCAP2L 00000000	RCAP2H 00000000	TL2 00000000	TH2 00000000			CF
C0									C7
B8	IPL0 x0000000	SADEN 00000000					SPH 00000000		BF
B0	P3 11111111							IPH0 x0000000	B7
A8	IE0 00000000	SADDR 00000000							AF
A0	P2 11111111						WDTRST xxxxxxx	WCON xxxxxx00	A7
98	SCON 00000000	SBUF xxxxxxx							9F
90	P1 11111111								97
88	TCON 00000000	TMOD 00000000	TL0 00000000	TL1 00000000	TH0 00000000	TH1 00000000			8F
80	P0 11111111	SP 00000111	DPL 00000000	DPH 00000000	DPXL 00000001			PCON 00xx0000	87
	0/8	1/9	2/A	3/B	4/C	5/D	6/E	7/F	

**NOTE:** Shaded areas represent unimplemented SFR locations. Locations S:000H–S:07FH and S:100H–S:1FFH are also unimplemented.

The following tables list the mnemonics, names, and addresses of the SFRs:

Table 3-6 — Core SFRs

Table 3-7 — I/O Port SFRs

Table 3-8 — Serial I/O SFRs

Table 3-9 — Timer/Counter and Watchdog Timer SFRs

Table 3-10 — Programmable Counter Array (PCA) SFRs

**Table 3-6. Core SFRs**

<b>Mnemonic</b>	<b>Name</b>	<b>Address</b>
ACC <sup>†</sup>	Accumulator	S:E0H
B <sup>†</sup>	B Register	S:F0H
PSW	Program Status Word	S:D0H
PSW1	Program Status Word 1	S:D1H
SP <sup>†</sup>	Stack Pointer – LSB of SPX	S:81H
SPH <sup>†</sup>	Stack Pointer High – MSB of SPX	S:BEH
DPTR <sup>†</sup>	Data Pointer (2 bytes)	—
DPL <sup>†</sup>	Low Byte of DPTR	S:82H
DPH <sup>†</sup>	High Byte of DPTR	S:83H
DPXL <sup>†</sup>	Data Pointer, Extended Low	S:84H
PCON	Power Control	S:87H
IE0	Interrupt Enable Control 0	S:A8H
IPH0	Interrupt Priority Control High 0	S:B7H
IPL0	Interrupt Priority Control Low 0	S:B8H

<sup>†</sup> These SFRs can also be accessed by their corresponding registers in the register file (see Table 3-4 on page 3-15).

**Table 3-7. I/O Port SFRs**

<b>Mnemonic</b>	<b>Name</b>	<b>Address</b>
P0	Port 0	S:80H
P1	Port 1	S:90H
P2	Port 2	S:A0H
P3	Port 3	S:B0H

**Table 3-8. Serial I/O SFRs**

<b>Mnemonic</b>	<b>Name</b>	<b>Address</b>
SCON	Serial Control	S:98H
SBUF	Serial Data Buffer	S:99H
SADEN	Slave Address Mask	S:B9H
SADDR	Slave Address	S:A9H

**Table 3-9. Timer/Counter and Watchdog Timer SFRs**

<b>Mnemonic</b>	<b>Name</b>	<b>Address</b>
TL0	Timer/Counter 0 Low Byte	S:8AH
TH0	Timer/Counter 0 High Byte	S:8CH
TL1	Timer/Counter 1 Low Byte	S:8BH
TH1	Timer/Counter 1 High Byte	S:8DH
TL2	Timer/Counter 2 Low Byte	S:CCH
TH2	Timer/Counter 2 High Byte	S:CDH
TCON	Timer/Counter 0 and 1 Control	S:88H
TMOD	Timer/Counter 0 and 1 Mode Control	S:89H
T2CON	Timer/Counter 2 Control	S:C8H
T2MOD	Timer/Counter 2 Mode Control	S:C9H
RCAP2L	Timer 2 Reload/Capture Low Byte	S:CAH
RCAP2H	Timer 2 Reload/Capture High Byte	S:CBH
WDTRST	WatchDog Timer Reset	S:A6H

**Table 3-10. Programmable Counter Array (PCA) SFRs**

<b>Mnemonic</b>	<b>Name</b>	<b>Address</b>
CCON	PCA Timer/Counter Control	S:D8H
CMOD	PCA Timer/Counter Mode	S:D9H
CCAPM0	PCA Timer/Counter Mode 0	S:DAH
CCAPM1	PCA Timer/Counter Mode 1	S:DBH
CCAPM2	PCA Timer/Counter Mode 2	S:DCH
CCAPM3	PCA Timer/Counter Mode 3	S:DDH
CCAPM4	PCA Timer/Counter Mode 4	S:DEH

**Table 3-10. Programmable Counter Array (PCA) SFRs (Continued)**

<b>Mnemonic</b>	<b>Name</b>	<b>Address</b>
CL	PCA Timer/Counter Low Byte	S:E9H
CH	PCA Timer/Counter High Byte	S:F9H
CCAP0L	PCA Compare/Capture Module 0 Low Byte	S:EAH
CCAP1L	PCA Compare/Capture Module 1 Low Byte	S:EBH
CCAP2L	PCA Compare/Capture Module 2 Low Byte	S:ECH
CCAP3L	PCA Compare/Capture Module 3 Low Byte	S:EDH
CCAP4L	PCA Compare/Capture Module 4 Low Byte	S:EEH
CCAP0H	PCA Compare/Capture Module 0 High Byte	S:FAH
CCAP1H	PCA Compare/Capture Module 1 High Byte	S:FBH
CCAP2H	PCA Compare/Capture Module 2 High Byte	S:FCH
CCAP3H	PCA Compare/Capture Module 3 High Byte	S:FDH
CCAP4H	PCA Compare/Capture Module 4 High Byte	S:FEH



# 4

## Device Configuration







# CHAPTER 4

## DEVICE CONFIGURATION

The 8XC251Sx provides user design flexibility by configuring certain operating features at device reset. These features fall into the following categories:

- external memory interface (page mode, address bits, pre-programmed wait states and the address range for RD#, WR#, and PSEN#)
- source mode/binary mode opcodes
- selection of bytes stored on the stack by an interrupt
- mapping of the upper portion of on-chip code memory to region 00:

You can specify a 16-bit, 17-bit, or 18-bit external address bus (256 Kbyte external address space). Wait state configurations provide pre-programmed 0, 1, 2, or 3 wait states.

This chapter provides a detailed discussion of 8XC251Sx device configuration. It describes the configuration bytes and provides information to aid you in selecting a suitable configuration for your application. It discusses the choices involved in configuring the external memory interface and shows how the internal memory maps into the external memory. See 4.5, “Configuring the External Memory Interface.” Section 4.6, “Opcode Configurations (SRC),” discusses the choice of source mode or binary mode opcode arrangements.

### 4.1 CONFIGURATION OVERVIEW

The configuration of the MCS® 251 microcontroller is established by the reset routine based on information stored in configuration bytes. The 8XC251Sx microcontrollers store configuration information in two configuration bytes located in code memory. Devices with no on-chip code memory fetch configuration data from external memory. Factory programmed ROM devices use customer provided configuration data supplied on floppy disc.

### 4.2 DEVICE CONFIGURATION

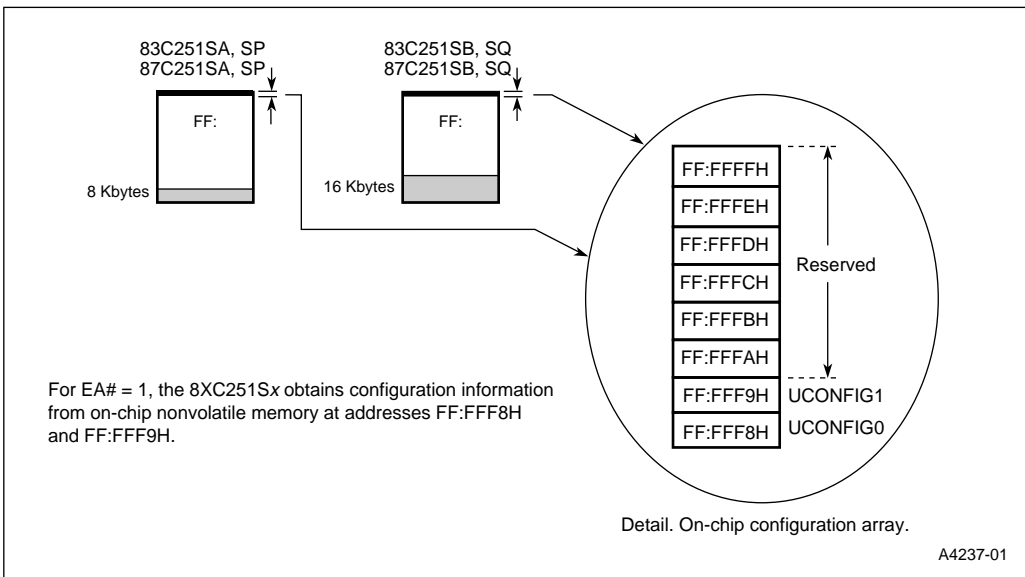
The 8XC251Sx reserves the top eight bytes of the memory address map (FF:FFF8H–FF:FFFFH) for an eight-byte configuration array (Figure 4-1). The two lowest bytes of the configuration array are assigned to the user configuration bytes UCONFIG0 (FF:FFF8H) and UCONFIG1 (FF:FFF9H). For ROM/OTPROM/EPROM devices, configuration information is stored in on-chip non-volatile memory at these addresses. For devices without on-chip ROM/OTPROM/EPROM, configuration information is accessed from external memory.

For ROM/OTPROM/EPROM devices, user configuration bytes UCONFIG0 and UCONFIG1 can be programmed at the factory or on-site using the procedures provided in Chapter 14, “Programming and Verifying Nonvolatile Memory.” For devices without ROM/OTPROM/ EPROM, the designer should store configuration information in an eight-byte configuration array located at the highest addresses implemented in external code memory. See Table 4-1 and Figure 4-2.

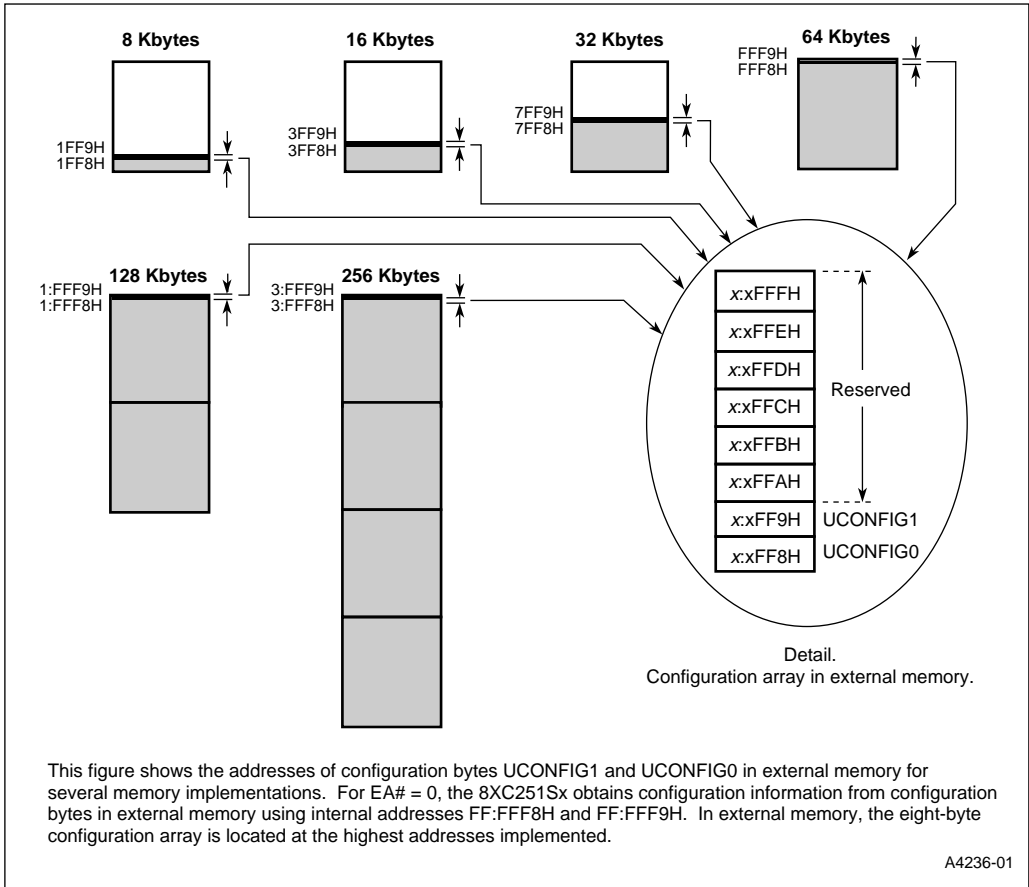
Bit definitions of UCONFIG0 and UCONFIG1 are provided in Figures 4-3 and 4-4. The upper 6 bytes of the configuration array are reserved for future use. When EA# = 1, the 8XC251Sx obtains configuration information at reset from on-chip non-volatile memory at addresses FF:FFF8H and FF:FFF9H. When EA# = 0, the microcontroller obtains configuration information at reset from the external memory system using internal addresses FF:FFF8H and FF:FFF9H.

**CAUTION**

The eight highest addresses in the memory address space (FF:FFF8H–FF:FFFFH) are reserved for the configuration array. Do not read or write these locations. These addresses are also used to access the configuration array in external memory, so the same restrictions apply to the eight highest addresses implemented in external memory. Instructions that might inadvertently cause these addresses to be accessed due to call returns or prefetches should not be located at addresses immediately below the configuration array. Use an EJMP instruction, five or more addresses below the configuration array, to continue execution in other areas of memory.



**Figure 4-1. Configuration Array (On-chip)**



A4236-01

Figure 4-2. Configuration Array (External)

Table 4-1. External Addresses for Configuration Array

Size of External Address Bus (Bits)	Address of Configuration Array on External Bus (2)	Address of Configuration Bytes on External Bus (1)
16	FFF8H–FFFFH	UCONFIG1: FFF9H UCONFIG0: FFF8H
17	1FFF8H–1FFFFH	UCONFIG1: 1FFF9H UCONFIG0: 1FFF8H
18	3FFF8H–3FFFFH	UCONFIG1: 3FFF9H UCONFIG0: 3FFF8H

**NOTES:**

1. When EA# = 0, the reset routine retrieves UCONFIG0 and UCONFIG1 from external memory using internal addresses FF:FFF8H and FF:FFF9H, which appear on the microcontroller external address bus (A17, A16, A15:0).
2. The upper six bytes of the configuration array are reserved for future use.

### 4.3 THE CONFIGURATION BITS

This section provides a brief description of the configuration bits contained in the configuration bytes (Figures 4-3 and 4-4). UCONFIG0 and UCONFIG1 have five wait state bits: WSA1:0#, WSB1:0#, and WSB.

- UCON. Configuration byte location selector.
- SRC. Selects source mode or binary mode opcode configuration.
- INTR. Selects the bytes pushed onto the stack by interrupts.
- EMAP#. Maps on-chip code memory (16-Kbyte devices only) to memory region 00:.

The following bits configure the external memory interface.

- PAGE#. Selects page/nonpage mode and specifies the data port.
- RD1:0. Selects the number of external address bus pins and the address range for RD#, WR, and PSEN#. See Table 4-2.
- XALE#. Extends the ALE pulse.
- WSA1:0#. Selects 0, 1, 2, or 3 pre-programmed wait states for all regions except 01:.
- WSB1:0#. Selects 0 - 3 pre-programmed wait states for memory region 01:.
- EMAP#. Affects the external memory interface in that, when asserted, addresses in the range 00:E000H–00:FFFH access on-chip memory.

#### 4.4 CONFIGURATION BYTE LOCATION SELECTOR (UCON)

The Configuration Byte Location Selector (UCON) applies only to OTPROM and EPROM products. In conjunction with EA#, UCON specifies whether the configuration array is accessed from on-chip memory or external memory.

If the UCON bit is clear (e.g., UCON=0), the configuration array is fetched from on-chip nonvolatile memory at addresses FF:FFF8H to FF:FFFFH. The configuration bytes are located at locations FF:FFF8H and FF:FFF9H.

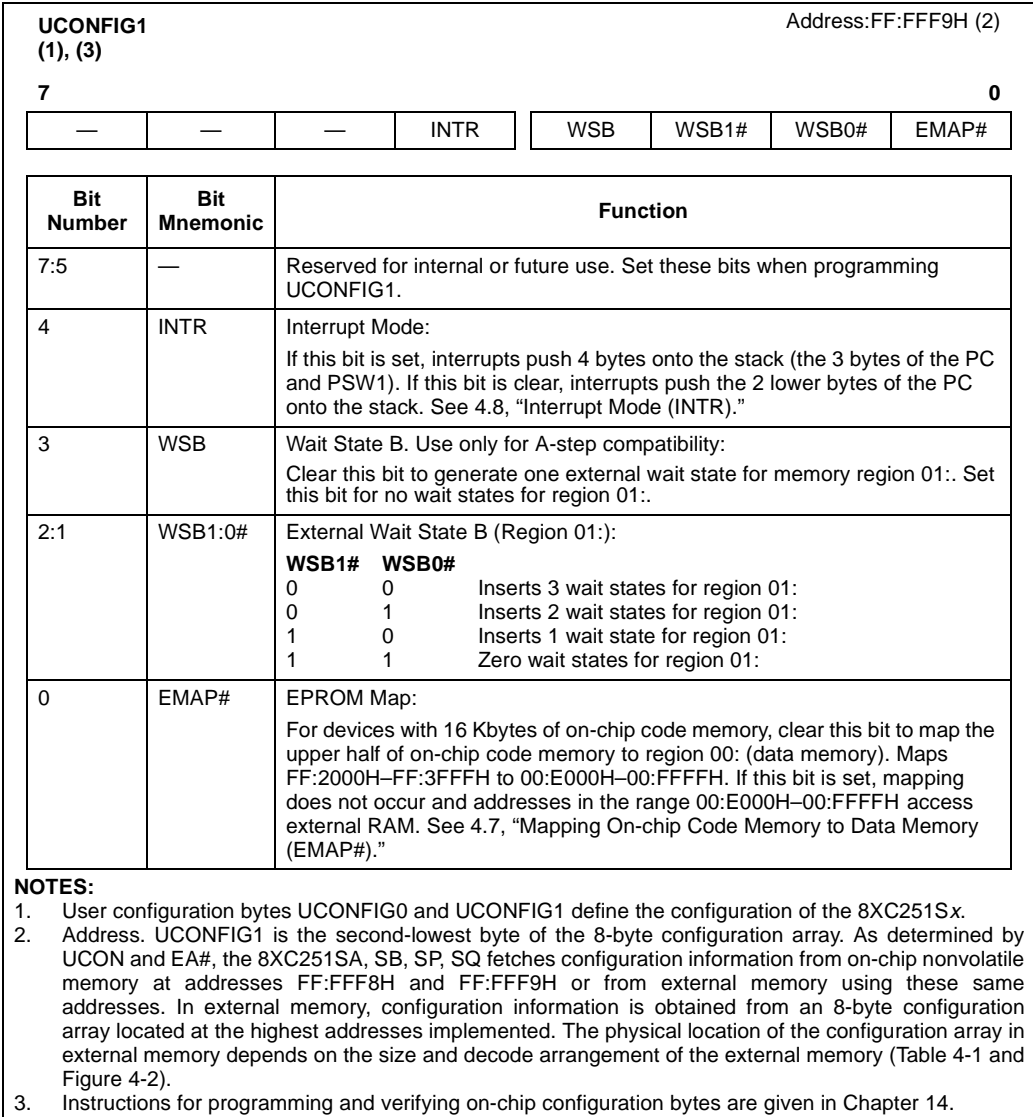
If UCON is set (e.g., UCON=1), the state of the EA# pin at device reset determines whether the configuration array is accessed from on-chip memory or external memory. If EA# is connected to  $V_{CC}$ , the configuration array is accessed from on-chip nonvolatile memory at addresses FF:FFF8H through FF:FFFFH (same as for UCON=0). If EA# is connected to  $V_{SS}$ , the configuration array is obtained from external memory (e.g., a 27512 EPROM).

<b>UCONFIG0</b> (1), (3)				Address: FF:FFF8H (2)																		
7				0																		
UCON	WSA1#	WSA0#	XALE#	RD1	RD0	PAGE#	SRC															
Bit Number	Bit Mnemonic	Function																				
7	UCON 87C251Sx	Configuration Byte Location Selector (OTPROM/EPROM products only): Clearing this bit causes the 8XC251Sx to fetch configuration information from on-chip memory. Leaving this bit unprogrammed (logic 1) causes the 8XC251Sx to fetch configuration information from on-chip memory if EA# = 1 or from external memory if EA# = 0.																				
	— 80C251Sx 83C251Sx	Reserved: Write a 1 to this bit when programming UCONFIG0.																				
6:5	WSA1:0#	Wait State A (all regions except 01:): For external memory accesses, selects the number of wait states for RD#, WR#, and PSEN#.  <table style="margin-left: 20px; border: none;"> <tr> <td style="padding-right: 10px;"><b>WSA1#</b></td> <td style="padding-right: 10px;"><b>WSA0#</b></td> <td></td> </tr> <tr> <td>0</td> <td>0</td> <td>Inserts 3 wait states for all regions except 01:</td> </tr> <tr> <td>0</td> <td>1</td> <td>Inserts 2 wait states for all regions except 01:</td> </tr> <tr> <td>1</td> <td>0</td> <td>Inserts 1 wait state for all regions except 01:</td> </tr> <tr> <td>1</td> <td>1</td> <td>Zero wait states for all regions except 01:</td> </tr> </table>						<b>WSA1#</b>	<b>WSA0#</b>		0	0	Inserts 3 wait states for all regions except 01:	0	1	Inserts 2 wait states for all regions except 01:	1	0	Inserts 1 wait state for all regions except 01:	1	1	Zero wait states for all regions except 01:
<b>WSA1#</b>	<b>WSA0#</b>																					
0	0	Inserts 3 wait states for all regions except 01:																				
0	1	Inserts 2 wait states for all regions except 01:																				
1	0	Inserts 1 wait state for all regions except 01:																				
1	1	Zero wait states for all regions except 01:																				
4	XALE#	Extend ALE: Set this bit for ALE = T <sub>OSC</sub> . Clear this bit for ALE = 3T <sub>OSC</sub> (adds one external wait state).																				
3:2	RD1:0	Memory Signal Selection: RD1:0 bit codes specify an 18-bit, 17-bit, or 16-bit external address bus and address ranges for RD#, WR#, and PSEN#. See Table 4-2.																				
1	PAGE#	Page Mode Select: Clear this bit for page mode enabled with A15:8/D7:0 on P2 and A7:0 on P0. Set this bit for page mode disabled with A15:8 on P2 and A7:0/D7:0 on P0 (compatible with 44-pin PLCC and 40-pin DIP MCS 51 microcontrollers).																				
0	SRC	Source Mode/Binary Mode Select: Clear this bit for binary mode (compatible with MCS 51 microcontrollers). Set this bit for source mode.																				

**NOTES:**

- User configuration bytes UCONFIG0 and UCONFIG1 define the configuration of the 8XC251Sx.
- Address. UCONFIG0 is the second-lowest byte of the 8-byte configuration array. As determined by UCON and EA#, the 8XC251Sx fetches configuration information from on-chip nonvolatile memory at addresses FF:FFF8H and FF:FFF9H or from external memory using these same addresses. In external memory, configuration information is obtained from an 8-byte configuration array located at the highest addresses implemented. The location of the configuration array in external memory depends on the size and decode arrangement of the external memory (Table 4-1 and Figure 4-2).
- Instructions for programming and verifying on-chip configuration bytes are given in Chapter 14.

**Figure 4-3. Configuration Byte UCONFIG0**



**Figure 4-4. Configuration Byte UCONFIG1**

Table 4-2. Memory Signal Selections (RD1:0)

RD1:0	P1.7/CEX/ A17/WCLK	P3.7/RD#/A16	PSEN#	WR#	Features
0 0	A17	A16	Asserted for all addresses	Asserted for writes to all memory locations	256-Kbyte external memory
0 1	P1.7/CEX4/ WCLK	A16	Asserted for all addresses	Asserted for writes to all memory locations	128-Kbyte external memory
1 0	P1.7/CEX4/ WCLK	P3.7 only	Asserted for all addresses	Asserted for writes to all memory locations	64-Kbyte external memory. One additional port pin.
1 1	P1.7/CEX4/ WCLK	RD# asserted for addresses $\leq 7F:FFFFH$	Asserted for $\geq 80:0000H$	Asserted only for writes to MCS 51 microcontroller data memory locations.	64-Kbyte external memory. Compatible with MCS 51 micro-controllers.

## 4.5 CONFIGURING THE EXTERNAL MEMORY INTERFACE

This section describes the configuration options that affect the external memory interface. The configuration bits described here determine the following interface features:

- page mode or nonpage mode (PAGE#)
- the number of external address pins (16, 17, or 18) (RD1:0)
- the memory regions assigned to the read signals RD# and PSEN# (RD1:0)
- the external wait states (WSA1:0#, WSB1:0#, XALE#)
- mapping a portion of on-chip code memory to data memory (EMAP#)

### 4.5.1 Page Mode and Nonpage Mode (PAGE#)

The PAGE# bit (UCONFIG0.1) determines whether code fetches use page mode or nonpage mode and whether data is transmitted on P2 or P0. See Figure 13-1 on page 13-1 and section 13.2.3, “Page Mode Bus Cycles,” for a description of the bus structure and page mode operation.

- Nonpage mode: PAGE# = 1. The bus structure is the same as for the MCS 51 architecture with data D7:0 multiplexed with A7:0 on P0. External code fetches require two state times ( $4T_{OSC}$ ).
- Page mode: PAGE# = 0. The bus structure differs from the bus structure in MCS 51 controllers. Data D7:0 is multiplexed with A15:8 on P2. Under certain conditions, external code fetches require only one state time ( $2T_{OSC}$ ).



## 4.5.2 Configuration Bits RD1:0

The RD1:0 configuration bits (UCONFIG0.3:2) determine the number of external address signals and the address ranges for asserting the read signals PSEN#/RD# and the write signal WR#. These selections offer different ways of addressing external memory. Figures 4-5 and 4-6 show how internal memory maps into external memory for the four values of RD1:0. Section 13.8, “External Memory Design Examples,” provides examples of external memory designs for each choice of RD1:0.

A key to the memory interface is the relationship between internal memory addresses and external memory addresses. While the 8XC251Sx has 24 internal address bits, the number of external address lines is less than 24 (i.e., 16, 17, or 18 depending on the values of RD1:0). This means that reads/writes to different internal memory addresses can access the same location in external memory.

For example, if the 8XC251Sx is configured for 17 external address lines, a write to location 01:6000H and a write to location FF:6000H accesses the same 17-bit external address (1:6000H) because A16 = 1 for both internal addresses. In other words, regions 01: and FF: map into the same 64-Kbyte region in external memory.

In some situations, however, a multiple mapping from internal memory to external memory does not preclude using more than one region. For example, for a device with on-chip ROM/OTPROM/EPROM configured for 17 address bits and with EA# = 1, an access to FF:0000H–FF:3FFFH (16 Kbytes) accesses the on-chip ROM/OTPROM/EPROM, while an access to 01:0000H–01:3FFFH is to external memory. In this case, you could execute code from these locations in region FF: and store data in the corresponding locations in region 01: without conflict. See Figure 4-5 and section 13.8.3, “Example 3: RD1:0 = 01, 17-bit Bus, External RAM.”

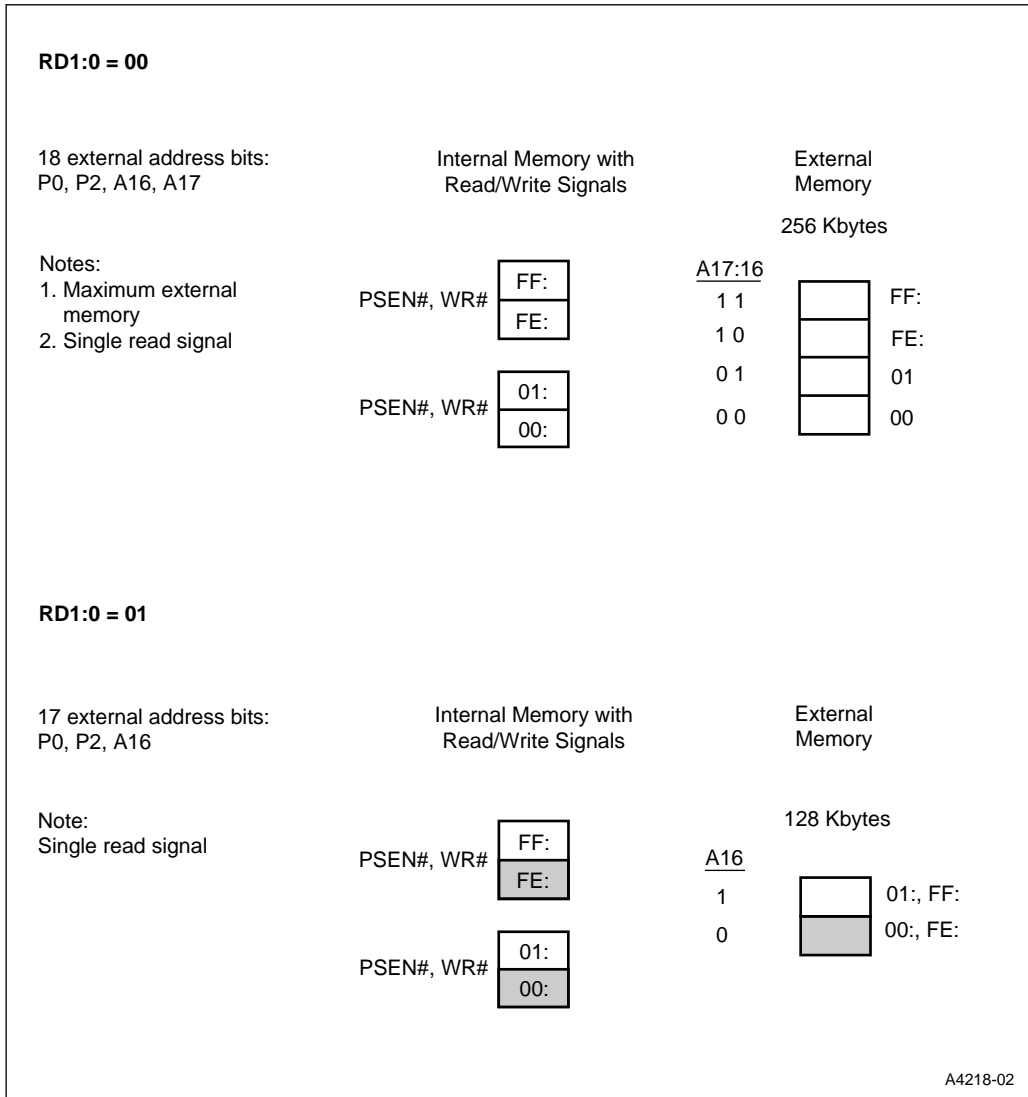
### 4.5.2.1 RD1:0 = 00 (18 External Address Bits)

The selection RD1:0 = 00 provides 18 external address bits: A15:0 (ports P0 and P2), A16 (from P3.7/RD#/A16), and A17 (from P1.7/CEX4/A17/WCLK). Bits A16 and A17 can select four 64-Kbyte regions of external memory for a total of 256 Kbytes (top half of Figure 4-5). This is the largest possible external memory space. See section 13.8.1, “Example 1: RD1:0 = 00, 18-bit Bus, External Flash and RAM.”

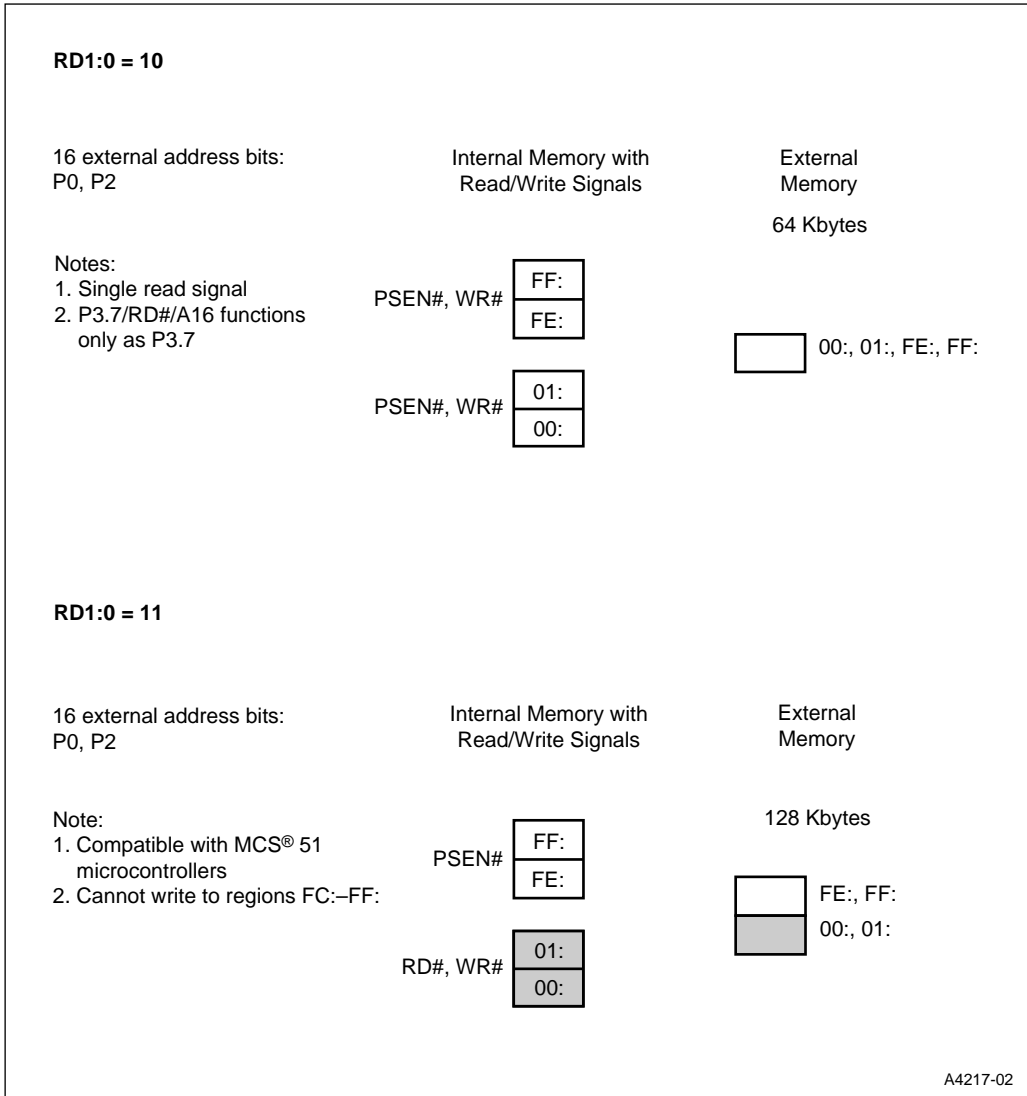
### 4.5.2.2 RD1:0 = 01 (17 External Address Bits)

The selection RD1:0 = 01 provides 17 external address bits: A15:0 (ports P0 and P2) and A16 (from P3.7/RD#/A16). Bit A16 can select two 64-Kbyte regions of external memory for a total of 128 Kbytes (bottom half of Figure 4-5). Regions 00: and FE: (each having A16 = 0) map into the same 64-Kbyte region in external memory. This duplication also occurs for regions 01: and FF:

This selection provides a 128-Kbyte external address space. The advantage of this selection, in comparison with the 256-Kbyte external memory space with RD1:0 = 00, is the availability of pin P1.7/CEX4/A17/WCLK for general I/O, PCA I/O, and real-time wait clock output. I/O P3.7 is unavailable. All four 64-Kbyte regions are strobed by PSEN# and WR#. Sections 13.8.2 and 13.8.3 show examples of memory designs with this option.



**Figure 4-5. Internal/External Address Mapping (RD1:0 = 00 and 01)**



**Figure 4-6. Internal/External Address Mapping (RD1:0 = 10 and 11)**

#### 4.5.2.3 RD1:0 = 10 (16 External Address Bits)

For RD1:0 = 10, the 16 external address bits (A15:0 on ports P0 and P2) provide a single 64-Kbyte region in external memory (top of Figure 4-6). This selection provides the smallest external memory space; however, pin P3.7/RD#/A16 is available for general I/O and pin P1.7/CEX4/A17/WCLK is available for general I/O, PCA I/O, and real-time wait clock output. This selection is useful when the availability of these pins is required and/or a small amount of external memory is sufficient.

#### 4.5.2.4 RD1:0 = 11 (Compatible with MCS 51 Microcontrollers)

The selection RD1:0 = 11 provides only 16 external address bits (A15:0 on ports P0 and P2). However, PSEN# is the read signal for regions FE:~FF:, while RD# is the read signal for regions 00:~01: (bottom of Figure 4-6). The two read signals effectively expand the external memory space to two 64-Kbyte regions. WR# is asserted only for writes to regions 00:~01:. This selection provides compatibility with MCS 51 microcontrollers, which have separate external memory spaces for code and data.

### 4.5.3 Wait State Configuration Bits

You can add wait states to external bus cycles by extending the RD#/WR#/PSEN# pulse and/or extending the ALE pulse. Each additional wait state extends the pulse by  $2T_{OSC}$ . A separate wait state specification for external accesses via region 01: permits a slow external device to be addressed in region 01: without slowing accesses to other external devices. Table 4-3 summarizes the wait state selections for RD#, WR#, PSEN#. For waveform diagrams showing wait states, see section 13.4, "External Bus Cycles with Configurable Wait States."

#### 4.5.3.1 Configuration Bits WSA1:0#, WSB1:#

The WSA1:0# wait state bits (UCONFIG0.6:5) permit RD#, WR#, and PSEN# to be extended by 1, 2, or 3 wait states for accesses to external memory via all regions except region 01:. The WSB1:0# wait state bits (UCONFIG1.2:1) permit RD#, WR#, and PSEN# to be extended by 1, 2, or 3 wait states for accesses to external memory via region 01:.

#### 4.5.3.2 Configuration Bit WSB

Use the WSB bit only for A-stepping compatibility. The WSB wait state bit (UCONFIG1.3) permits RD#, WR#, and PSEN# to be extended by one wait state for accesses to external memory via region 01:.

### 4.5.3.3 Configuration Bit XALE#

Clearing XALE# (UCONFIG0.4) extends the time ALE is asserted from  $T_{OSC}$  to  $3T_{OSC}$ . This accommodates an address latch that is too slow for the normal ALE signal. Section 13.4.2, “Extending ALE,” shows an external bus cycle with ALE extended.

**Table 4-3. RD#, WR#, PSEN# External Wait States**

8XC251Sx		
Regions 00: FE: FF:	WSA1# WSA0#	
	0 0	3 Wait States
	0 1	2 Wait States
	1 0	1 Wait State
	1 1	0 Wait States
Region 01:	WSB1# WSB0#	
	0 0	3 Wait States
	0 1	2 Wait States
	1 0	1 Wait State
	1 1	0 Wait States

## 4.6 OPCODE CONFIGURATIONS (SRC)

The SRC configuration bit (UCONFIG0.0) selects the source mode or binary mode opcode arrangement. Opcodes for the MCS 251 architecture are listed in Table A-6 on page A-4 and Table A-7 on page A-5. Note that in Table A-6 every opcode (00H–FFH), is used for an instruction except A5H (ESC) which provides an alternative set of opcodes for columns 6H through FH. The SRC bit selects which set of opcodes is assigned to columns 6H through FH and which set is the alternative.

*Binary mode* and *source mode* refer to two ways of assigning opcodes to the instruction set for the MCS 251 architecture. One of these modes must be selected when the chip is configured. Depending on the application, binary mode or source mode may produce more efficient code. This section describes the binary and source modes and provides some guidelines for selecting the mode for your application.

The MCS 251 architecture has two types of instructions:

- instructions that originate in the MCS 51 architecture
- instructions that are unique to the MCS 251 architecture

Figure 4-7 shows the opcode map for binary mode. Area I (columns 1 through 5 in Table A-6 on page A-4) and area II (columns 6 through F) make up the opcode map for the instructions that originate in the MCS 51 architecture. Area III in Figure 4-7 represents the opcode map for the instructions that are unique to the MCS 251 architecture (Table A-7 on page A-5). Note that some of these opcodes are reserved for future instructions. The opcode values for areas II and III are identical (06H–FFH). To distinguish between the two areas in binary mode, the opcodes in area III are given the prefix A5H. The area III opcodes are thus A506H–A5FFH.

Figure 4-8 shows the opcode map for source mode. Areas II and III have switched places (compare with Figure 4-7). In source mode, opcodes for instructions in area II require the A5F escape prefix while opcodes for instructions in area III (MCS 251 architecture) do not.

To illustrate the difference between the binary-mode and source-mode opcodes, Table 4-4 shows the opcode assignments for three sample instructions.

**Table 4-4. Examples of Opcodes in Binary and Source Modes**

Instruction	Opcode	
	Binary Mode	Source Mode
DEC A	14H	14H
SUBB A,R4	9CH	A59CH
SUB R4,R4	A59CH	9CH

#### 4.6.1 Selecting Binary Mode or Source Mode

If you have code that was written for an MCS 51 microcontroller and you want to run it unmodified on an MCS 251 microcontroller, choose binary mode. You can use the object code without reassembling the source code. You can also assemble the source code with an assembler for the MCS 251 architecture and have it produce object code that is binary-compatible with MCS 51 microcontrollers. The remainder of this section discusses the selection of binary mode or source mode for code that may contain instructions from both architectures.

An instruction with a prefixed opcode requires one more byte for code storage, and if an additional fetch is required for the extra byte, the execution time is increased by one state. This means that using fewer prefixed opcodes produces more efficient code.

If a program uses only instructions from the MCS 51 architecture, the binary-mode code is more efficient because it uses no prefixes. On the other hand, if a program uses many more new instructions than instructions from the MCS 51 architecture, source mode is likely to produce more efficient code. For a program where the choice is not clear, the better mode can be found by experimenting with a simulator.

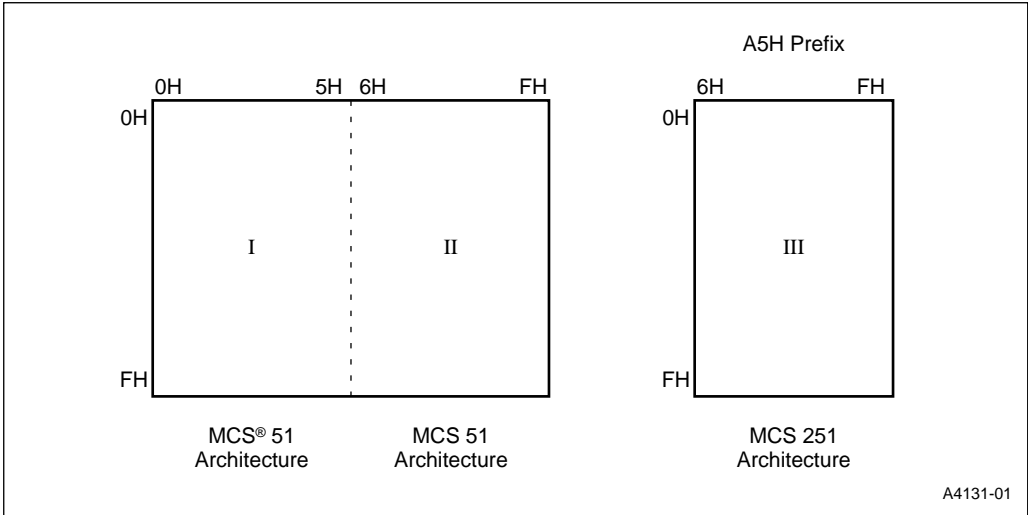


Figure 4-7. Binary Mode Opcode Map

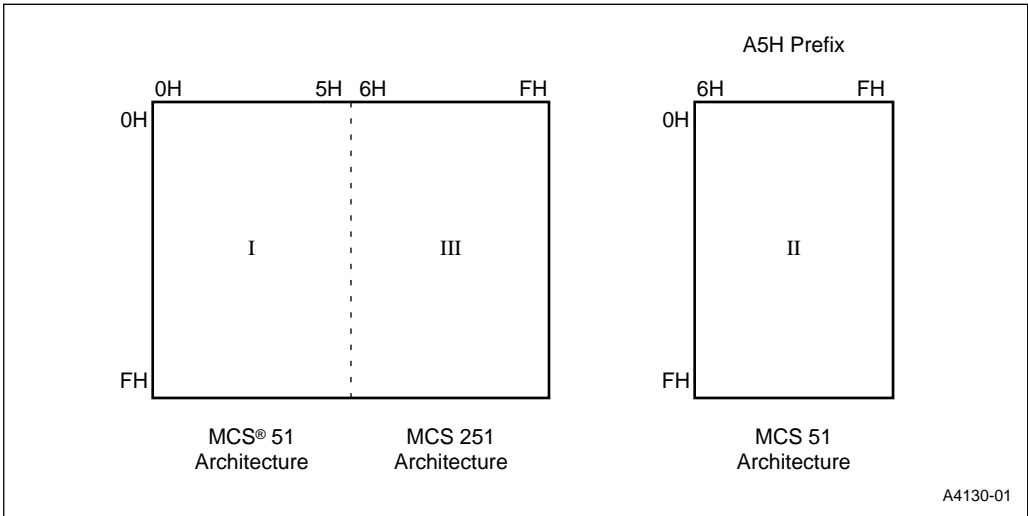


Figure 4-8. Source Mode Opcode Map

## 4.7 MAPPING ON-CHIP CODE MEMORY TO DATA MEMORY (EMAP#)

For devices with 16 Kbytes of on-chip code memory (87C251SB, SQ and 83C251SB, SQ), the EMAP# bit (UCONFIG1.0) provides the option of accessing the upper half of on-chip code memory as data memory. This allows code constants to be accessed as data in region 00: using direct addressing. See section 3.2.2.1, “Accessing On-chip Code Memory in Region 00:,” for the exact conditions required for this mapping to be effective.

**EMAP# = 0.** For 87C251SB/83C251SB and 87C251SQ/83C251SQ, the upper 8 Kbytes of on-chip code memory (FF:2000–FF:3FFFH) are mapped to locations 00:E000H–00:FFFFH.

**EMAP# = 1.** Mapping of on-chip code memory to region 00: does not occur. Addresses in the range 00:E000H–00:FFFFH access external RAM.

## 4.8 INTERRUPT MODE (INTR)

The INTR bit (UCONFIG1.4) determines what bytes are stored on the stack when an interrupt occurs and how the RETI (Return from Interrupt) instruction restores operation.

For INTR = 0, an interrupt pushes the two lower bytes of the PC onto the stack in the following order: PC.7:0, PC.15:8. The RETI instruction pops these two bytes in the reverse order and uses them as the 16-bit return address in region FF:.

For INTR = 1, an interrupt pushes the three PC bytes and the PSW1 register onto the stack in the following order: PSW1, PC.23:16, PC.7:0, PC.15:8. The RETI instruction pops these four bytes and then returns to the specified 24-bit address, which can be anywhere in the 16-Mbyte address space.



intel®

5

# Programming





## CHAPTER 5 PROGRAMMING

The instruction set for the MCS<sup>®</sup> 251 architecture is a superset of the instruction set for the MCS<sup>®</sup> 51 architecture. This chapter describes the addressing modes and summarizes the instruction set, which is divided into data instructions, bit instructions, and control instructions. Appendix A, “Instruction Set Reference,” contains an opcode map and a detailed description of each instruction. The program status words PSW and PSW1 are also described.

### NOTE

The instruction execution times given in Appendix A are for code executing from on-chip code memory and for data that is read from and written to on-chip RAM. Execution times are increased by executing code from external memory, accessing peripheral SFRs, accessing data in external memory, using real time wait states, using RD#/WR#/PSEN# preprogrammed wait states, or extending the ALE pulse.

For some instructions, accessing the port SFRs ( $Px, x = 3:0$ ) increases the execution time. These cases are noted individually in the tables in Appendix A.

### 5.1 SOURCE MODE OR BINARY MODE OPCODES

*Source mode* and *Binary mode* refer to the two ways of assigning opcodes to the instruction set of the MCS 251 architecture. Depending on the application, one mode or the other may produce more efficient code. The mode is established during device reset based on the value of the SRC bit in configuration byte UCONFIG0. For information regarding the selection of the opcode mode, see section 4.6, “Opcode Configurations (SRC).”

### 5.2 PROGRAMMING FEATURES OF THE MCS<sup>®</sup> 251 ARCHITECTURE

The instruction set for MCS 251 microcontrollers provides the user with new instructions that exploit the features of the architecture while maintaining compatibility with the instruction set for MCS 51 microcontrollers. Many of the new instructions operate on 8-bit, 16-bit, or 32-bit operands. (In comparison with 8-bit and 16-bit operands, 32-bit operands are accessed with fewer addressing modes.) This capability increases the ease and efficiency of programming MCS 251 microcontrollers in a high-level language such as C.

The instruction set is divided into data (refer to section 5.3, “Data Instructions”), bits (see section 5.4, “Bit Instructions”), and control instructions (see section 5.5, “Control Instructions”). Data instructions process 8-bit, 16-bit, and 32-bit data; bit instructions manipulate bits; and control instructions manage program flow.

## 5.2.1 Data Types

Table 5-1 lists the data types that are addressed by the instruction set. Words or dwords (double words) can be in stored memory starting at any byte address; alignment on two-byte or four-byte boundaries is not required. Words and dwords are stored in memory and the register file in *big endien* form.

**Table 5-1. Data Types**

Data Type	Number of Bits
Bit	1
Byte	8
Word	16
Dword (Double Word)	32

### 5.2.1.1 Order of Byte Storage for Words and Double Words

MCS 251 microcontrollers store words (2 bytes) and double words (4 bytes) in memory and in the register file in big endien form. In memory storage, the most significant byte (MSB) of the word or double word is stored in the memory byte specified in the instruction; the remaining bytes are stored at higher addresses, with the least significant byte (LSB) at the highest address. Words and double words can be stored in memory starting at any byte address. In the register file, the MSB is stored in the lowest byte of the register specified in the instruction. For a description of the register file, see section 3.3, “8XC251SA, SB, SP, SQ Register File.” The code fragment in Figure 5-1 illustrates the storage of words and double words in big endien form.

## 5.2.2 Register Notation

In register-addressing instructions, specific indices denote the registers that can be used in that instruction. For example, the instruction ADD A,Rn uses “Rn” to denote any one of R0, R1, ..., R7; i.e., the range of n is 0–7. The instruction ADD Rm,#data uses “Rm” to denote R0, R1, ..., R15; i.e., the range of m is 0–15. Table 5-2 summarizes the notation used for the register indices. When an instruction contains two registers of the same type (e.g., MOV Rmd,Rms) the first index “d” denotes “destination” and the second index “s” denotes “source.”

## 5.2.3 Address Notation

In the MCS 251 architecture, memory addresses include a region number (00:, 01:, ..., FF:) (Figure 3-4 on page 3-6). SFR addresses have a prefix “S:” (S:000H–S:1FFH). The distinction between memory addresses and SFR addresses is necessary because memory locations 00:0000H–00:01FFH and SFR locations S:000H–S:1FFH can both be directly addressed in an instruction.



## 5.2.4 Addressing Modes

The MCS 251 architecture supports the following addressing modes:

- register addressing: The instruction specifies the register that contains the operand.
- immediate addressing: The instruction contains the operand.
- direct addressing: The instruction contains the operand address.
- indirect addressing: The instruction specifies the register that contains the operand address.
- displacement addressing: The instruction specifies a register and an offset. The operand address is the sum of the register contents (the base address) and the offset.
- relative addressing: The instruction contains the signed offset from the next instruction to the target address (the address for transfer of control, e.g., the jump address).
- bit addressing: The instruction contains the bit address.

More detailed descriptions of the addressing modes are given in sections 5.3.1, "Data Addressing Modes," 5.4.1, "Bit Addressing," and 5.5.1, "Addressing Modes for Control Instructions."

## 5.3 DATA INSTRUCTIONS

Data instructions consist of arithmetic, logical, and data-transfer instructions for 8-bit, 16-bit, and 32-bit data. This section describes the data addressing modes and the set of data instructions.

### 5.3.1 Data Addressing Modes

This section describes the data-addressing modes, which are summarized in two tables: Table 5-3 for the instructions that are native to the MCS 51 architecture, and Table 5-4 for the new data instructions in the MCS 251 architecture.

#### NOTE

References to registers R0–R7, WR0–WR6, DR0, and DR2 always refer to the register bank that is currently selected by the PSW and PSW1 registers (see section 5.6, "Program Status Words"). Registers in all banks (active and inactive) can be accessed as memory locations in the range 00H–1FH.

Instructions from the MCS 51 architecture access external memory through the region of memory specified by byte DPXL in the extended data pointer register, DPX (DR56). Following reset, DPXL contains 01H, which maps the external memory to region 01:. You can specify a different region by writing to DR56 or the DPXL SFR. See section 3.3.2, "Dedicated Registers."

### 5.3.1.1 Register Addressing

Both architectures address registers directly.

- MCS 251 architecture. In the register addressing mode, the operand(s) in a data instruction are in byte registers (R0–R15), word registers (WR0, WR2, ..., WR30), or dword registers (DR0, DR4, ..., DR28, DR56, DR60).
- MCS 51 architecture. Instructions address registers R0–R7 only.

### 5.3.1.2 Immediate

Both architectures use immediate addressing.

- MCS 251 architecture. In the immediate addressing mode, the instruction contains the data operand itself. Byte operations use 8-bit immediate data (#data); word operations use 16-bit immediate data (#data16). Dword operations use 16-bit immediate data in the lower word, and either zeros in the upper word (denoted by #0data16), or ones in the upper word (denoted by #1data16). MOV instructions that place 16-bit immediate data into a dword register (DRk), place the data either into the upper word while leaving the lower word unchanged, or into the lower word with a sign extension or a zero extension.

The increment and decrement instructions contain immediate data (#short = 1, 2, or 4) that specifies the amount of the increment/decrement.

- MCS 51 architecture. Instructions use only 8-bit immediate data (#data).

### 5.3.1.3 Direct

- MCS 251 architecture. In the direct addressing mode, the instruction contains the address of the data operand. The 8-bit direct mode addresses on-chip RAM (dir8 = 00:0000H–00:007FH) as both bytes and words, and addresses the SFRs (dir8 = S:080H–S:1FFH) as bytes only. (See the notes in section 5.3.1, “Data Addressing Modes,” regarding SFRs in the MCS 251 architecture.) The 16-bit direct mode addresses both bytes and words in memory (dir16 = 00:0000H–00:FFFFH).
- MCS 51 architecture. The 8-bit direct mode addresses 256 bytes of on-chip RAM (dir8 = 00H–7FH) as bytes only and the SFRs (dir8 = 80H–FFH) as bytes only.

**Table 5-3. Addressing Modes for Data Instructions in the MCS<sup>®</sup> 51 Architecture**

Mode	Address Range of Operand	Assembly Language Reference	Comments
Register	00H–1FH	R0–R7 (Bank selected by PSW)	
Immediate	Operand in Instruction	#data = #00H–#FFH	
Direct	00H–7FH	dir8 = 00H–7FH	On-chip RAM
	SFRs	dir8 = 80H–FFH or SFR mnemonic.	SFR address
Indirect	00H–FFH	@R0, @R1	Accesses on-chip RAM or the lowest 256 bytes of external data memory (MOVX).
	0000H–FFFFH	@DPTR, @A+DPTR	Accesses external data memory (MOVX).
	0000H–FFFFH	@A+DPTR, @A+PC	Accesses region FF: of code memory (MOVC).

#### 5.3.1.4 Indirect

In arithmetic and logical instructions that use indirect addressing, the source operand is always a byte, and the destination is either the accumulator or a byte register (R0–R15). The source address is a byte, word, or dword. The two architectures do indirect addressing via different registers:

- MCS 251 architecture. Memory is indirectly addressed via word and dword registers:
  - Word register (@WRj, j = 0, 2, 4, ..., 30). The 16-bit address in WRj can access locations 00:0000H–00:FFFFH.
  - Dword register (@DRk, k = 0, 4, 8, ..., 28, 56, and 60). The 24 least significant bits can access the entire 16-Mbyte address space. The upper eight bits of DRk must be 0. If you use DR60 as a general data pointer, be aware that DR60 is the extended stack pointer register SPX.
- MCS 51 architecture. Instructions use indirect addressing to access on-chip RAM, code memory, and external data RAM. See the notes in section 5.3.1, “Data Addressing Modes,” regarding the region of external data RAM that is addressed by instructions in the MCS 51 architecture.
  - Byte register (@Ri, i = 1, 2). Registers R0 and R1 indirectly address on-chip memory locations 00H–FFH and the lowest 256 bytes of external data RAM.
  - 16-bit data pointer (@DPTR or @A+DPTR). The MOVC and MOVX instructions use these indirect modes to access code memory and external data RAM.
  - 16-bit program counter (@A+PC). The MOVC instruction uses this indirect mode to access code memory.



**Table 5-4. Addressing Modes for Data Instructions in the MCS<sup>®</sup> 251 Architecture**

Mode	Address Range of Operand	Assembly Language Notation	Comments
Register	00:0000H–00:001FH (R0–R7, WR0–WR3, DR0, DR2) (1)	R0–R15, WR0–WR30, DR0–DR28, DR56, DR60	R0–R7, WR0–WR6, DR0, and DR2 are in the register bank currently selected by the PSW and PSW1.
Immediate, 2 bits	N.A. (Operand is in the instruction)	#short = 1, 2, or 4	Used only in increment and decrement instructions.
Immediate, 8 bits	N.A. (Operand is in the instruction)	#data8 = #00H–#FFH	
Immediate, 16 bits	N.A. (Operand is in the instruction)	#data16 = #0000H–#FFFFH	
Direct, 8 address bits	00:0000H–00:007FH	dir8 = 00:0000H–00:007FH	On-chip RAM
	SFRs	dir8 = S:080H–S:1FFH (2) or SFR mnemonic	SFR address
Direct, 16 address bits	00:0000H–00:FFFFH	dir16 = 00:0000H–00:FFFFH	
Indirect, 16 address bits	00:0000H–00:FFFFH	@WR0–@WR30	
Indirect, 24 address bits	00:0000H–FF:FFFFH	@DR0–@DR30, @DR56, @DR60	Upper 8 bits of DRk must be 00H.
Displacement, 16 address bits	00:0000H–00:FFFFH	@WRj + dis16 = @WR0 + 0H through @WR30 + FFFFH	Offset is signed; address wraps around in region 00:.
Displacement, 24 address bits	00:0000H–FF:FFFFH	@DRk + dis24 = @DR0 + 0H through @DR28 + FFFFH, @DR56 + (0H–FFFFH), @DR60 + (0H–FFFFH)	Offset is signed, upper 8 bits of DRk must be 00H.

**NOTES:**

1. These registers are accessible in the memory space as well as in the register file (see section 3.3, “8XC251SA, SB, SP, SQ Register File.”)
2. The MCS 251 architecture supports SFRs in locations S:000H–S:1FFH; however, in the 8XC251Sx, all SFRs are in the range S:080H–S:0FFH.

### 5.3.1.5 Displacement

Several move instructions use displacement addressing to move bytes or words from a source to a destination. Sixteen-bit displacement addressing ( $@WRj+dis16$ ) accesses indirectly the lowest 64 Kbytes in memory. The base address can be in any word register  $WRj$ . The instruction contains a 16-bit signed offset which is added to the base address. Only the lowest 16 bits of the sum are used to compute the operand address. If the sum of the base address and a positive offset exceeds  $FFFFH$ , the computed address wraps around within region 00: (e.g.  $F000H + 2005H$  becomes  $1005H$ ). Similarly, if the sum of the base address and a negative offset is less than zero, the computed address wraps around the top of region 00: (e.g.,  $2005H + F000H$  becomes  $1005H$ ).

Twenty-four-bit displacement addressing ( $@DRk+dis24$ ) accesses indirectly the entire 16-Mbyte address space. The base address must be in  $DR0$ ,  $DR4$ , ...,  $DR24$ ,  $DR28$ ,  $DR56$ , or  $DR60$ . The upper byte in the dword register must be zero. The instruction contains a 16-bit signed offset which is added to the base address.

### 5.3.2 Arithmetic Instructions

The set of arithmetic instructions is greatly expanded in the MCS 251 architecture. The  $ADD$  and  $SUB$  instructions (Table A-19 on page A-14) operate on byte and word data that is accessed in several ways:

- as the contents of the accumulator, a byte register ( $Rn$ ), or a word register ( $WRj$ )
- in the instruction itself (immediate data)
- in memory via direct or indirect addressing

The  $ADDC$  and  $SUBB$  instructions (Table A-19) are the same as those for MCS 51 microcontrollers.

The  $CMP$  (compare) instruction (Table A-20 on page A-15) calculates the difference of two bytes or words and then writes to flags  $CY$ ,  $OV$ ,  $AC$ ,  $N$ , and  $Z$  in the  $PSW$  and  $PSW1$  registers. The difference is not stored. The operands can be addressed in a variety of modes. The most frequent use of  $CMP$  is to compare data or addresses preceding a conditional jump instruction.

Table A-21 on page A-16 lists the  $INC$  (increment) and  $DEC$  (decrement) instructions. The instructions for MCS 51 microcontrollers are supplemented by instructions that can address byte, word, and dword registers and increment or decrement them by 1, 2, or 4 (denoted by  $\#short$ ). These instructions are supplied primarily for register-based address pointers and loop counters.

The MCS 251 architecture provides the MUL (multiply) and DIV (divide) instructions for unsigned 8-bit and 16-bit data (Table A-22 on page A-16). Signed multiply and divide are left for the user to manage through a conversion process. The following operations are implemented:

- eight-bit multiplication: 8 bits  $\times$  8 bits  $\rightarrow$  16 bits
- sixteen-bit multiplication: 16 bits  $\times$  16 bits  $\rightarrow$  32 bits
- eight-bit division: 8 bits  $\div$  8 bits  $\rightarrow$  16 bits (8-bit quotient, 8-bit remainder)
- sixteen-bit division: 16 bits  $\div$  16 bits  $\rightarrow$  32 bits (16-bit quotient, 16-bit remainder)

These instructions operate on pairs of byte registers (Rmd,Rms), word registers (WRjd,WRjs), or the accumulator and B register (A,B). For 8-bit register multiplies, the result is stored in the word register that contains the first operand register. For example, the product from an instruction MUL R3,R8 is stored in WR2. Similarly, for 16-bit multiplies, the result is stored in the dword register that contains the first operand register. For example, the product from the instruction MUL WR6,WR18 is stored in DR4.

For 8-bit divides, the operands are byte registers. The result is stored in the word register that contains the first operand register. The quotient is stored in the lower byte, and the remainder is stored in the higher byte. A 16-bit divide is similar. The first operand is a word register, and the result is stored in the double word register that contains that word register. If the second operand (the divisor) is zero, the overflow flag (OV) is set and the other bits in PSW and PSW1 are meaningless.

### 5.3.3 Logical Instructions

The MCS 251 architecture provides a set of instructions that perform logical operations. The ANL, ORL, and XRL (logical AND, logical OR, and logical exclusive OR) instructions operate on bytes and words that are accessed via several addressing modes (Table A-23 on page A-17). A byte register, word register, or the accumulator can be logically combined with a register, immediate data, or data that is addressed directly or indirectly. These instructions affect the Z and N flags.

In addition to the CLR (clear), CPL (complement), SWAP (swap), and four rotate instructions that operate on the accumulator, MCS 251 microcontrollers have three shift commands for byte and word registers:

- SLL (Shift Left Logical) shifts the register one bit left and replaces the LSB with 0
- SRL (Shift Right Logical) shifts the register one bit right and replaces the MSB with 0
- SRA (Shift Right Arithmetic) shifts the register one bit right; the MSB is unchanged

### 5.3.4 Data Transfer Instructions

Data transfer instructions copy data from one register or memory location to another. These instructions include the move instructions (Table A-24 on page A-19) and the exchange, push, and pop instructions (Table A-25 on page A-22). Instructions that move only a single bit are listed with the other bit instructions in Table A-26 on page A-23.

MOV (Move) is the most versatile instruction, and its addressing modes are expanded in the MCS 251 architecture. MOV can transfer a byte, word, or dword between any two registers or between a register and any location in the address space.

The MOVX (Move External) instruction moves a byte from external memory to the accumulator or from the accumulator to memory. The external memory is in the region specified by DPXL, whose reset value is 01H. See section 3.3.2, “Dedicated Registers.”

The MOVC (Move Code) instruction moves a byte from code memory (region FF:) to the accumulator.

MOVS (Move with Sign Extension) and MOVZ (Move with Zero Extension) move the contents of an 8-bit register to the lower byte of a 16-bit register. The upper byte is filled with the sign bit (MOVS) or zeros (MOVZ). The MOVH (Move to High Word) instruction places 16-bit immediate data into the high word of a dword register.

The XCH (Exchange) instruction interchanges the contents of the accumulator with a register or memory location. The XCHD (Exchange Digit) instruction interchanges the lower nibble of the accumulator with the lower nibble of a byte in on-chip RAM. XCHD is useful for BCD (binary coded decimal) operations.

The PUSH and POP instructions facilitate storing information (PUSH) and then retrieving it (POP) in reverse order. Push can push a byte, a word, or a dword onto the stack, using the immediate, direct, or register addressing modes. POP can pop a byte or a word from the stack to a register or to memory.

## 5.4 BIT INSTRUCTIONS

A bit instruction addresses a specific bit in a memory location or SFR. There are four categories of bit instructions:

- SETB (Set Bit), CLR (Clear Bit), CPL (Complement Bit). These instructions can set, clear or complement any addressable bit.
- ANL (And Logical), ANL/ (And Logical Complement), ORL (OR Logical), ORL/ (Or Logical Complement). These instructions allow ANDing and ORing of any addressable bit or its complement with the CY flag.
- MOV (Move) instructions transfer any addressable bit to the carry (CY) bit or vice versa.
- Bit-conditional jump instructions execute a jump if the bit has a specified state. The bit-conditional jump instructions are classified with the control instructions and are described in section 5.5.2, “Conditional Jumps.”

### 5.4.1 Bit Addressing

The bits that can be individually addressed are in the on-chip RAM and the SFRs (Table 5-5). The bit instructions that are unique to the MCS 251 architecture can address a wider range of bits than the instructions from the MCS 51 architecture.

There are some differences in the way the instructions from the two architectures address bits. In the MCS 51 architecture, a bit (denoted by bit51) can be specified in terms of its location within a certain register, or it can be specified by a bit address in the range 00H–7FH. The MCS 251 architecture does not have bit addresses as such. A bit can be addressed by name or by its location within a certain register, but not by a bit address.

Table 5-6 illustrates bit addressing in the two architectures by using two sample bits:

- RAMBIT is bit 5 in RAMREG, which is location 23H. “RAMBIT” and “RAMREG” are assumed to be defined in user code.
- IT1 is bit 2 in TCON, which is an SFR at location 88H.

**Table 5-5. Bit-addressable Locations**

Architecture	Bit-addressable Locations	
	On-chip RAM	SFRs
MCS® 251 Architecture	20H–7FH	All defined SFRs
MCS 51 Architecture	20H–2FH	SFRs with addresses ending in 0H or 8H: 80H, 88H, 90H, 98H, ..., F8H

Table 5-7 lists the addressing modes for bit instructions and Table A-26 on page A-23 summarizes the bit instructions. “Bit” denotes a bit that is addressed by a new instruction in the MCS 251 architecture and “bit51” denotes a bit that is addressed by an instruction in the MCS 51 architecture.

**Table 5-6. Addressing Two Sample Bits**

Location	Addressing Mode	MCS <sup>®</sup> 51 Architecture	MCS 251 Architecture
On-chip RAM	Register Name	RAMREG.5	RAMREG.5
	Register Address	23H.5	23H.5
	Bit Name	RAMBIT	RAMBIT
	Bit Address	1DH	NA
SFR	Register Name	TCON.2	TCON.2
	Register Address	88.2H	S:88.2H
	Bit Name	IT1	IT1
	Bit Address	8A	NA

**Table 5-7. Addressing Modes for Bit Instructions**

Architecture	Variants	Bit Address	Memory/SFR Address	Comments
MCS <sup>®</sup> 251 Architecture (bit)	Memory	NA	20H.0–7FH.7	
	SFR	NA	All defined SFRs	
MCS 51 Architecture (bit51)	Memory	00H–7FH	20H.0–7FH.7	
	SFR	80H–F8H	XXH.0–XXH.7, where XX = 80, 88, 90, 98, ..., F0, F8.	SFRs are not defined at all bit-addressable locations.

## 5.5 CONTROL INSTRUCTIONS

Control instructions—instructions that change program flow—include calls, returns, and conditional and unconditional jumps (see Table A-27 on page A-24). Instead of executing the next instruction in the queue, the processor executes a target instruction. The control instruction provides the address of a target instruction either implicitly, as in a return from a subroutine, or explicitly, in the form of a relative, direct, or indirect address.

MCS 251 microcontrollers have a 24-bit program counter (PC), which allows a target instruction to be anywhere in the 16-Mbyte address space. However, as discussed in this section, some control instructions restrict the target address to the current 2-Kbyte or 64-Kbyte address range by allowing only the lowest 11 or lowest 16 bits of the program counter to change.

### 5.5.1 Addressing Modes for Control Instructions

Table 5-8 lists the addressing modes for the control instructions.

- **Relative addressing:** The control instruction provides the target address as an 8-bit signed offset (rel) from the address of the next instruction.
- **Direct addressing:** The control instruction provides a target address, which can have 11 bits (addr11), 16 bits (addr16), or 24 bits (addr24). The target address is written to the PC.
  - **addr11:** Only the lower 11 bits of the PC are changed; i.e., the target address must be in the current 2-Kbyte block (the 2-Kbyte block that includes the first byte of the next instruction).
  - **addr16:** Only the lower 16 bits of the PC are changed; i.e., the target address must be in the current 64-Kbyte region (the 64-Kbyte region that includes the first byte of the next instruction).
  - **addr24:** The target address can be anywhere in the 16-Mbyte address space.
- **Indirect addressing:** There are two types of indirect addressing for control instructions:
  - For the instructions LCALL @WRj and LJMP @WRj, the target address is in the current 64-Kbyte region. The 16-bit address in WRj is placed in the lower 16 bits of the PC. The upper eight bits of the PC remain unchanged from the address of the next instruction.
  - For the instruction JMP @A+DPTR, the sum of the accumulator and DPTR is placed in the lower 16 bits of the PC, and the upper eight bits of the PC are FF:, which restricts the target address to the code memory space of the MCS 51 architecture.

**Table 5-8. Addressing Modes for Control Instructions**

Description	Address Bits Provided	Address Range
Relative, 8-bit relative address (rel)	8	-128 to +127 from first byte of next instruction
Direct, 11-bit target address (addr11)	11	Current 2 Kbytes
Direct, 16-bit target address (addr16)	16	Current 64 Kbytes
Direct, 24-bit target address (addr24)†	24	00:0000H–FF:FFFFH
Indirect (@WRj)†	16	Current 64 Kbytes
Indirect (@A+DPTR)	16	64-Kbyte region specified by DPXL (reset value = 01H)

†These modes are not used by instructions in the MCS<sup>®</sup> 51 architecture.

## 5.5.2 Conditional Jumps

The MCS 251 architecture supports bit-conditional jumps, compare-conditional jumps, and jumps based on the value of the accumulator. A bit-conditional jump is based on the state of a bit. In a compare-conditional jump, the jump is based on a comparison of two operands. All conditional jumps are relative, and the target address (rel) must be in the current 256-byte block of code. The instruction set includes three kinds of bit-conditional jumps:

- JB (Jump on Bit): Jump if the bit is set.
- JNB (Jump on Not Bit): Jump if the bit is clear.
- JBC (Jump on Bit then Clear it): Jump if the bit is set; then clear it.

Section 5.4.1, “Bit Addressing,” describes the bit addressing used in these instructions.

Compare-conditional jumps test a condition resulting from a compare (CMP) instruction that is assumed to precede the jump instruction. The jump instruction examines the PSW and PSW1 registers and interprets their flags as though they were set or cleared by a compare (CMP) instruction. Actually, the state of each flag is determined by the last instruction that could have affected that flag.

The condition flags are used to test one of the following six relations between the operands:

- equal (=), not equal ( $\neq$ )
- greater than (>), less than (<)
- greater than or equal ( $\geq$ ), less than or equal ( $\leq$ )

For each relation there are two instructions, one for signed operands and one for unsigned operands (Table 5-9).

**Table 5-9. Compare-conditional Jump Instructions**

Operand Type	Relation					
	=	$\neq$	>	<	$\geq$	$\leq$
Unsigned	JE	JNE	JG	JL	JGE	JLE
Signed			JSG	JSL	JSGE	JSLE



### 5.5.3 Unconditional Jumps

There are five unconditional jumps. NOP and SJMP jump to addresses relative to the program counter. AJMP, LJMP, and EJMP jump to direct or indirect addresses.

- NOP (No Operation) is an unconditional jump to the next instruction.
- SJMP (Short Jump) jumps to any instruction within -128 to 127 of the next instruction.
- AJMP (Absolute Jump) changes the lowest 11 bits of the PC to jump anywhere within the current 2-Kbyte block of memory. The address can be direct or indirect.
- LJMP (Long Jump) changes the lowest 16 bits of the PC to jump anywhere within the current 64-Kbyte region.
- EJMP (Extended Jump) changes all 24 bits of the PC to jump anywhere in the 16-Mbyte address space. The address can be direct or indirect.

### 5.5.4 Calls and Returns

The MCS 251 architecture provides relative, direct, and indirect calls and returns.

ACALL (Absolute Call) pushes the lower 16 bits of the next instruction address onto the stack and then changes the lower 11 bits of the PC to the 11-bit address specified by the instruction. The call is to an address that is in the same 2-Kbyte block of memory as the address of the next instruction.

LCALL (Long Call) pushes the lower 16 bits of the next-instruction address onto the stack and then changes the lower 16 bits of the PC to the 16-bit address specified by the instruction. The call is to an address in the same 64-Kbyte block of memory as the address of the next instruction.

ECALL (Extended Call) pushes the 24 bits of the next instruction address onto the stack and then changes the 24 bits of the PC to the 24-bit address specified by the instruction. The call is to an address anywhere in the 16-Mbyte memory space.

RET (Return) pops the top two bytes from the stack to return to the instruction following a subroutine call. The return address must be in the same 64-Kbyte region.

ERET (Extended Return) pops the top three bytes from the stack to return to the address following a subroutine call. The return address can be anywhere in the 16-Mbyte address space.

RETI (Return from Interrupt) provides a return from an interrupt service routine. The operation of RETI depends on the INTR bit in the UCONFIG1 or CONFIG1 configuration byte:

- For INTR = 0, an interrupt pushes the two lower bytes of the PC onto the stack in the following order: PC.7:0, PC.15:8. The RETI instruction pops these two bytes and uses them as the 16-bit return address in region FF:. RETI also restores the interrupt logic to accept additional interrupts at the same priority level as the one just processed.
- For INTR = 1, an interrupt pushes the three PC bytes and PSW1 onto the stack in the following order: PSW1, PC.23:16, PC.7:0, PC.15:8. The RETI instruction pops these four bytes and then returns to the specified 24-bit address, which can be anywhere in the 16-Mbyte address space. RETI also clears the interrupt request line. (See the note in Table 5-8 regarding compatibility with code written for MCS 51 microcontrollers.)

The TRAP instruction is useful for the development of emulations of an MCS 251 microcontroller.

## 5.6 PROGRAM STATUS WORDS

The Program Status Word (PSW) register and the Program Status Word 1 (PSW1) register contain four types of bits (Figures 5-2 and 5-3):

- CY, AC, OV, N, and Z are flags set by hardware to indicate the result of an operation.
- The P bit indicates the parity of the accumulator.
- Bits RS0 and RS1 are programmed by software to select the active register bank for registers R0–R7.
- F0 and UD are available to the user as general-purpose flags.

The PSW and PSW1 registers are read/write registers; however, the parity bit in the PSW is not affected by a write. Individual bits can be addressed with the bit instructions (section 5.4, “Bit Instructions”). The PSW and PSW1 bits are used implicitly in the conditional jump instructions (section 5.5.2, “Conditional Jumps”).

The PSW register is identical to the PSW register in MCS 51 microcontrollers. The PSW1 register exists only in MCS 251 microcontrollers. Bits CY, AC, RS0, RS1, and OV in PSW1 are identical to the corresponding bits in PSW; i.e., the same bit can be accessed in either register. Table 5-10 lists the instructions that affect the CY, AC, OV, N, and Z bits.

**Table 5-10. The Effects of Instructions on the PSW and PSW1 Flags**

Instruction Type	Instruction	Flags Affected (1), (5)				
		CY	OV	AC (2)	N	Z
Arithmetic	ADD, ADDC, SUB, SUBB, CMP	X	X	X	X	X
	INC, DEC				X	X
	MUL, DIV (3)	0	X		X	X
	DA	X			X	X
Logical	ANL, ORL, XRL, CLR A, CPL A, RL, RR, SWAP				X	X
	RLC, RRC, SRL, SLL, SRA (4)	X			X	X
Program Control	CJNE	X			X	X
	DJNE				X	X

**NOTES:**

1. X = the flag can be affected by the instruction.  
0 = the flag is cleared by the instruction.
2. The AC flag is affected only by operations on 8-bit operands.
3. If the divisor is zero, the OV flag is set and the other bits are meaningless.
4. For SRL, SLL, and SRA instructions, the last bit shifted out is stored in the CY bit.
5. The parity bit (PSW.0) is set or cleared by instructions that change the contents of the accumulator (ACC, Register R11).

<b>PSW</b>				Address: S:DOH			
				Reset State: 0000 0000B			
<b>7</b>				<b>0</b>			
CY	AC	F0	RS1	RS0	OV	UD	P

Bit Number	Bit Mnemonic	Function																				
7	CY	<p><b>Carry Flag:</b></p> <p>The carry flag is set by an addition instruction (ADD, ADDC) if there is a carry out of the MSB. It is set by a subtraction (SUB, SUBB) or compare (CMP) if a borrow is needed for the MSB. The carry flag is also affected by some rotate and shift instructions, logical bit instructions, bit move instructions, and the multiply (MUL) and decimal adjust (DA) instructions (see Table 5-10).</p>																				
6	AC	<p><b>Auxiliary Carry Flag:</b></p> <p>The auxiliary carry flag is affected only by instructions that address 8-bit operands. The AC flag is set if an arithmetic instruction with an 8-bit operand produces a carry out of bit 3 (from addition) or a borrow into bit 3 (from subtraction). Otherwise, it is cleared. This flag is useful for BCD arithmetic (see Table 5-10).</p>																				
5	F0	<p><b>Flag 0:</b></p> <p>This general-purpose flag is available to the user.</p>																				
4:3	RS1:0	<p><b>Register Bank Select Bits 1 and 0:</b></p> <p>These bits select the memory locations that comprise the active bank of the register file (registers R0–R7).</p> <table style="margin-left: 20px; border-collapse: collapse;"> <thead> <tr> <th style="text-align: left;">RS1</th> <th style="text-align: left;">RS0</th> <th style="text-align: left;">Bank</th> <th style="text-align: left;">Address</th> </tr> </thead> <tbody> <tr> <td>0</td> <td>0</td> <td>0</td> <td>00H–07H</td> </tr> <tr> <td>0</td> <td>1</td> <td>1</td> <td>08H–0FH</td> </tr> <tr> <td>1</td> <td>0</td> <td>2</td> <td>10H–17H</td> </tr> <tr> <td>1</td> <td>1</td> <td>3</td> <td>18H–1FH</td> </tr> </tbody> </table>	RS1	RS0	Bank	Address	0	0	0	00H–07H	0	1	1	08H–0FH	1	0	2	10H–17H	1	1	3	18H–1FH
RS1	RS0	Bank	Address																			
0	0	0	00H–07H																			
0	1	1	08H–0FH																			
1	0	2	10H–17H																			
1	1	3	18H–1FH																			
2	OV	<p><b>Overflow Flag:</b></p> <p>This bit is set if an addition or subtraction of signed variables results in an overflow error (i.e., if the magnitude of the sum or difference is too great for the seven LSBs in 2's-complement representation). The overflow flag is also set if a multiplication product overflows one byte or if a division by zero is attempted.</p>																				
1	UD	<p><b>User-definable Flag:</b></p> <p>This general-purpose flag is available to the user.</p>																				
0	P	<p><b>Parity Bit:</b></p> <p>This bit indicates the parity of the accumulator. It is set if an odd number of bits in the accumulator are set. Otherwise, it is cleared. Not all instructions update the parity bit. The parity bit is set or cleared by instructions that change the contents of the accumulator (ACC, Register R11).</p>																				

**Figure 5-2. Program Status Word Register**

<b>PSW1</b>				Address: S:D1H			
				Reset State: 0000 0000B			
<b>7</b>				<b>0</b>			
CY	AC	N	RS1	RS0	OV	Z	—

Bit Number	Bit Mnemonic	Function
7	CY	Carry Flag: Identical to the CY bit in the PSW register (Figure 5-2).
6	AC	Auxiliary Carry Flag: Identical to the AC bit in the PSW register (Figure 5-2).
5	N	Negative Flag: This bit is set if the result of the last logical or arithmetic operation was negative (i.e., bit 15 = 1). Otherwise it is cleared.
4–3	RS1:0	Register Bank Select Bits 0 and 1: Identical to the RS1:0 bits in the PSW register (Figure 5-2).
2	OV	Overflow Flag: Identical to the OV bit in the PSW register (Figure 5-2).
1	Z	Zero Flag: This flag is set if the result of the last logical or arithmetic operation is zero. Otherwise it is cleared.
0	—	Reserved: The value read from this bit is indeterminate. Write a “0” to this bit.

**Figure 5-3. Program Status Word 1 Register**





6

# Interrupt System







# CHAPTER 6 INTERRUPT SYSTEM

## 6.1 OVERVIEW

The 8XC251Sx, like other control-oriented computer architectures, employs a program interrupt method. This operation branches to a subroutine and performs some service in response to the interrupt. When the subroutine completes, execution resumes at the point where the interrupt occurred. Interrupts may occur as a result of internal 8XC251Sx activity (e.g., timer overflow) or at the initiation of electrical signals external to the microcontroller (e.g., serial port communication). In all cases, interrupt operation is programmed by the system designer, who determines priority of interrupt service relative to normal code execution and other interrupt service routines. Seven of the eight interrupts are enabled or disabled by the system designer and may be manipulated dynamically.

A typical interrupt event chain occurs as follows. An internal or external device initiates an interrupt-request signal. This signal, connected to an input pin (see Table 6-1) and periodically sampled by the 8XC251Sx, latches the event into a flag buffer. The priority of the flag (see Table 6-2, Interrupt System Special Function Registers) is compared to the priority of other interrupts by the interrupt handler. A high priority causes the handler to set an interrupt flag. This signals the instruction execution unit to execute a context switch. This context switch breaks the current flow of instruction sequences. The execution unit completes the current instruction prior to a save of the program counter (PC) and reloads the PC with the start address of a software service routine. The software service routine executes assigned tasks and as a final activity performs a RETI (return from interrupt) instruction. This instruction signals completion of the interrupt, resets the interrupt-in-progress priority, and reloads the program counter. Program operation then continues from the original point of interruption.

**Table 6-1. Interrupt System Pin Signals**

Signal Name	Type	Description	Multiplexed With
INT1:0#	I	<b>External Interrupts 0 and 1.</b> These inputs set bits IE1:0 in the TCON register. If bits IT1:0 in the TCON register are set, bits IE1:0 are controlled by a negative-edge trigger on INT1#/INT0#. If bits INT1:0# are clear, bits IE1:0 are controlled by a low level trigger on INT1:0#.	P3.3:2

**NOTE:** Other signals are defined in their respective chapters and in Appendix B, "Signal Descriptions."

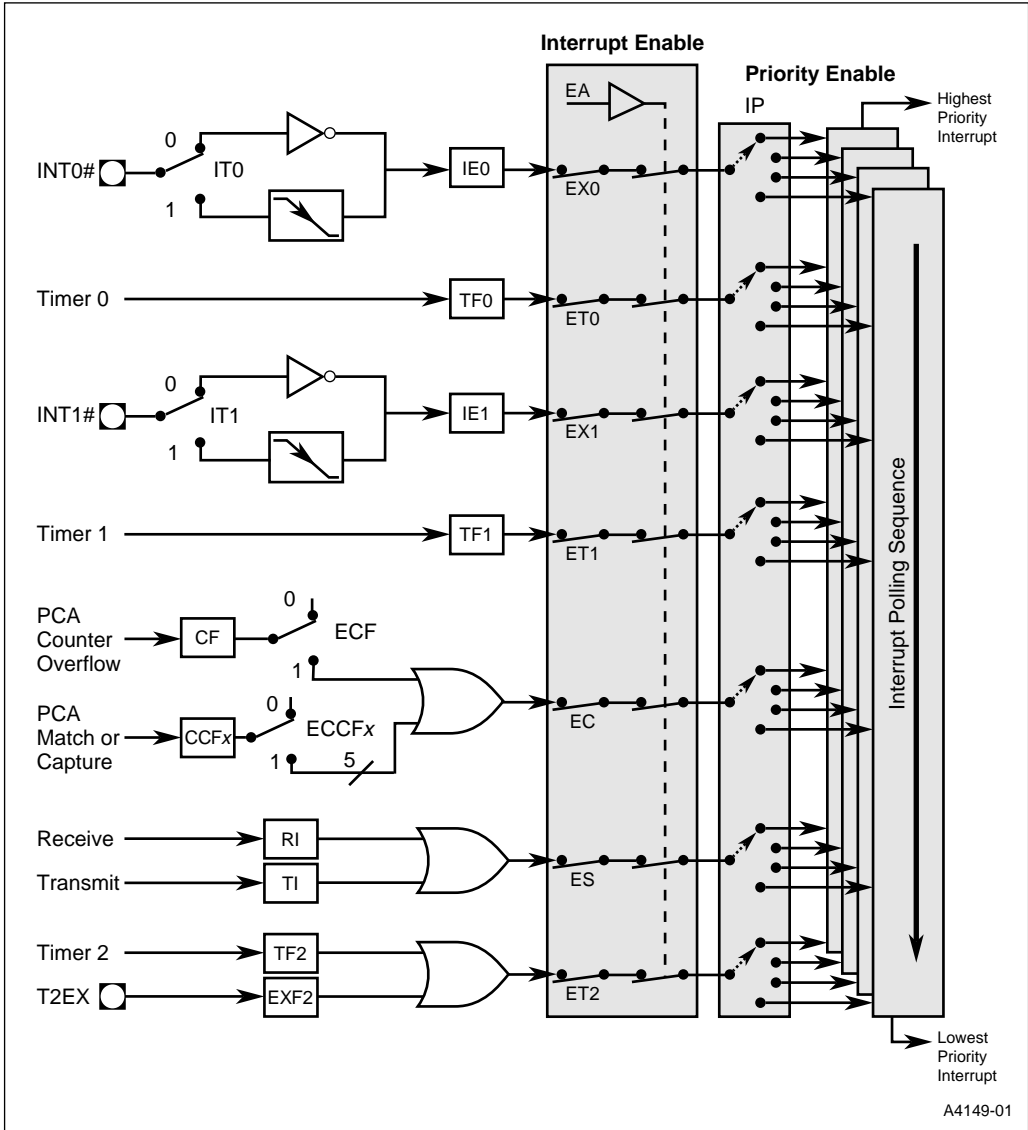


Figure 6-1. Interrupt Control System

**Table 6-2. Interrupt System Special Function Registers**

Mnemonic	Description	Address
IE0	<b>Interrupt Enable Register.</b> Used to enable and disable programmable interrupts. The reset value of this register is zero (interrupts disabled).	S:A8H
IPL0	<b>Interrupt Priority Low Register.</b> Establishes relative four-level priority for programmable interrupts. Used in conjunction with IPH0.	S:B8H
IPH0	<b>Interrupt Priority High Register.</b> Establishes relative four-level priority for programmable interrupts. Used in conjunction with IPL0.	S:B7H

**NOTE:** Other special function registers are described in their respective chapters.

## 6.2 8XC251SA, SB, SP, SQ INTERRUPT SOURCES

Figure 6-1 illustrates the interrupt control system. The 8XC251Sx has eight interrupt sources; seven maskable sources and the TRAP instruction (always enabled). The maskable sources include two external interrupts (INT0# and INT1#), three timer interrupts (timers 0, 1, and 2), one programmable counter array (PCA) interrupt, and one serial port interrupt. Each interrupt (except TRAP) has an interrupt request flag, which can be set by software as well as by hardware (see Table 6-3, “Interrupt Control Matrix”). For some interrupts, hardware clears the request flag when it grants an interrupt. Software can clear any request flag to cancel an impending interrupt.

### 6.2.1 External Interrupts

External interrupts INT0# and INT1# (INTx#) pins may each be programmed to be level-triggered or edge-triggered, dependent upon bits IT0 and IT1 in the TCON register (see Figure 8-6 on page 8-8). If  $IT_x = 0$ , INTx# is triggered by a detected low at the pin. If  $IT_x = 1$ , INTx# is negative-edge triggered. External interrupts are enabled with bits EX0 and EX1 (EXx) in the IE0 register (see Figure 6-2, “Interrupt Enable Register”). Events on the external interrupt pins set the interrupt request flags IEx in TCON. These request bits are cleared by hardware vectors to service routines only if the interrupt is negative-edge triggered. If the interrupt is level-triggered, the interrupt service routine must clear the request bit. External hardware must deassert INTx# before the service routine completes, or an additional interrupt is requested. External interrupt pins must be deasserted for at least four state times prior to a request.

External interrupt pins are sampled once every four state times (a frame length of 666.4 ns at 12 MHz). A level-triggered interrupt pin held low or high for any five-state time period guarantees detection. Edge-triggered external interrupts must hold the request pin low for at least five state times. This ensures edge recognition and sets interrupt request bit EXx. The CPU clears EXx automatically during service routine fetch cycles for edge-triggered interrupts.

Table 6-3. Interrupt Control Matrix

Interrupt Name	Global Enable	PCA	Timer 2	Serial Port	Timer 1	INT1#	Timer 0	INT0#
Bit Name in IE0 Register	EA	EC	ET2	ES	ET1	EX1	ET0	EX0
Interrupt Priority-Within-Level (7 = Low Priority, 1 = High Priority)	NA	7	6	5	4	3	2	1
Bit Names in: IPH0 IPL0	Reserved Reserved	IPH0.6 IPL0.6	IPH0.5 IPL0.5	IPH0.4 IPL0.4	IPH0.3 IPL0.3	IPH0.2 IPL0.2	IPH0.1 IPL0.1	IPH0.0 IPL0.0
Programmable for Negative-edge Triggered or Level-triggered Detect?	NA	Edge	No	No	No	Yes	No	Yes
Interrupt Request Flag in CCON, T2CON, SCON, or TCON Register	NA	CF, CCF <sub>x</sub>	TF2, EXF2	RI, TI	TF1	IE1	TF0	IE0
Interrupt Request Flag Cleared by Hardware?	No	No	No	No	Yes	Edge Yes, Level No	Yes	Edge Yes, Level No
ISR Vector Address	NA	FF: 0033H	FF: 002BH	FF: 0023H	FF: 001BH	FF: 0013H	FF: 000BH	FF: 0003H

## 6.2.2 Timer Interrupts

Two timer-interrupt request bits TF0 and TF1 (see TCON register, Figure 8-6 on page 8-8) are set by timer overflow (the exception is Timer 0 in Mode 3, see Figure 8-4 on page 8-6). When a timer interrupt is generated, the bit is cleared by an on-chip hardware vector to an interrupt service routine. Timer interrupts are enabled by bits ET0, ET1, and ET2 in the IE0 register (see Figure 6-2, "Interrupt Enable Register").

Timer 2 interrupts are generated by a logical OR of bits TF2 and EXF2 in register T2CON (see Figure 8-12 on page 8-17). Neither flag is cleared by a hardware vector to a service routine. In fact, the interrupt service routine must determine if TF2 or EXF2 generated the interrupt, and then clear the bit. Timer 2 interrupt is enabled by ET2 in register IE0.

### 6.3 PROGRAMMABLE COUNTER ARRAY (PCA) INTERRUPT

The programmable counter array (PCA) interrupt is generated by the logical OR of five event flags (CCF<sub>x</sub>) and the PCA timer overflow flag (CF) in the CCON register (see Figure 9-8 on page 9-14). All PCA interrupts share a common interrupt vector. Bits are not cleared by hardware vectors to service routines. Normally, interrupt service routines resolve interrupt requests and clear flag bits. This allows the user to define the relative priorities of the five PCA interrupts.

The PCA interrupt is enabled by bit EC in the IE0 register (see Figure 6-1). In addition, the CF flag and each of the CCF<sub>x</sub> flags must also be individually enabled by bits ECF and ECCF<sub>x</sub> in registers CMOD and CCAPM<sub>x</sub> respectively for the flag to generate an interrupt (see Figure 9-8 on page 9-14 and Figure 9-9 on page 9-15).

#### NOTE

CCF<sub>x</sub> refers to 5 separate bits, one for each PCA module (CCF0, CCF1, CCF2, CCF3, CCF4). CCAPM<sub>x</sub> refers to 5 separate registers, one for each PCA module (CCAPM0, CCAPM1, CCAPM2, CCAPM3, CCAPM4).

### 6.4 SERIAL PORT INTERRUPT

Serial port interrupts are generated by the logical OR of bits RI and TI in the SCON register (see Figure 10-2 on page 10-3). Neither flag is cleared by a hardware vector to the service routine. The service routine resolves RI or TI interrupt generation and clears the serial port request flag. The serial port interrupt is enabled by bit ES in the IE0 register (see Figure 6-2).

### 6.5 INTERRUPT ENABLE

Each interrupt source (with the exception of TRAP) may be individually enabled or disabled by the appropriate interrupt enable bit in the IE0 register at S:A8H (see Figure 6-2). Note IE0 also contains a global disable bit (EA). If EA is set, interrupts are individually enabled or disabled by bits in IE0. If EA is clear, all interrupts are disabled.

<b>IE0</b>		Address: S:A8H	
		Reset State: 0000 0000B	
<b>7</b>			<b>0</b>
EA	EC	ET2	ES
		ET1	EX1
		ET0	EX0

Bit Number	Bit Mnemonic	Function
7	EA	Global Interrupt Enable: Setting this bit enables all interrupts that are individually enabled by bits 0–6. Clearing this bit disables all interrupts, except the TRAP interrupt, which is always enabled.
6	EC	PCA Interrupt Enable: Setting this bit enables the PCA interrupt.
5	ET2	Timer 2 Overflow Interrupt Enable: Setting this bit enables the timer 2 overflow interrupt.
4	ES	Serial I/O Port Interrupt Enable: Setting this bit enables the serial I/O port interrupt.
3	ET1	Timer 1 Overflow Interrupt Enable: Setting this bit enables the timer 1 overflow interrupt.
2	EX1	External Interrupt 1 Enable: Setting this bit enables external interrupt 1.
1	ET0	Timer 0 Overflow Interrupt Enable: Setting this bit enables the timer 0 overflow interrupt.
0	EX0	External Interrupt 0 Enable: Setting this bit enables external interrupt 0.

**Figure 6-2. Interrupt Enable Register**

## 6.6 INTERRUPT PRIORITIES

Each of the seven 8XC251S $x$  interrupt sources may be individually programmed to one of four priority levels. This is accomplished with the IPH0. $x$ /IPL0. $x$  bit pairs in the interrupt priority high (IPH0) and interrupt priority low (IPL0) registers (Figures 6-3 and 6-4 on page 6-8). Specify the priority level as shown in Table 6-4 using IPH0. $x$  as the MSB and IPL0. $x$  as the LSB.

**Table 6-4. Level of Priority**

IPH0.X (MSB)	IPL0.X (LSB)	Priority Level
0	0	0 Lowest Priority
0	1	1
1	0	2
1	1	3 Highest Priority

A low-priority interrupt is always interrupted by a higher priority interrupt but not by another interrupt of equal or lower priority. The highest priority interrupt is not interrupted by any other interrupt source. Higher priority interrupts are serviced before lower priority interrupts. The response to simultaneous occurrence of equal priority interrupts (i.e., sampled within the same four state interrupt cycle) is determined by a hardware priority-within-level resolver (see Table 6-5).

**Table 6-5. Interrupt Priority Within Level**

Priority Number	Interrupt Name
1 (Highest Priority)	INT0#
2	Timer 0
3	INT1#
4	Timer 1
5	Serial Port
6	Timer 2
7 (Lowest Priority)	PCA

**NOTE**

The 8XC251S $x$  Interrupt Priority Within Level table (Table 6-5) differs from MCS<sup>®</sup> 51 microcontrollers. Other MCS 251 microcontrollers may have unique interrupt priority within level tables.

<b>IPH0</b>							Address: S:B7H
							Reset State: X000 0000B
7							0
—	IPH0.6	IPH0.5	IPH0.4	IPH0.3	IPH0.2	IPH0.1	IPH0.0

Bit Number	Bit Mnemonic	Function
7	—	Reserved. The value read from this bit is indeterminate. Write a "0" to this bit.
6	IPH0.6	PCA Interrupt Priority Bit High
5	IPH0.5	Timer 2 Overflow Interrupt Priority Bit High
4	IPH0.4	Serial I/O Port Interrupt Priority Bit High
3	IPH0.3	Timer 1 Overflow Interrupt Priority Bit High
2	IPH0.2	External Interrupt 1 Priority Bit High
1	IPH0.1	Timer 0 Overflow Interrupt Priority Bit High
0	IPH0.0	External Interrupt 0 Priority Bit High

**Figure 6-3. Interrupt Priority High Register**

<b>IPL0</b>							Address: S:B8H
							Reset State: X000 0000B
7							0
—	IPL0.6	IPL0.5	IPL0.4	IPL0.3	IPL0.2	IPL0.1	IPL0.0

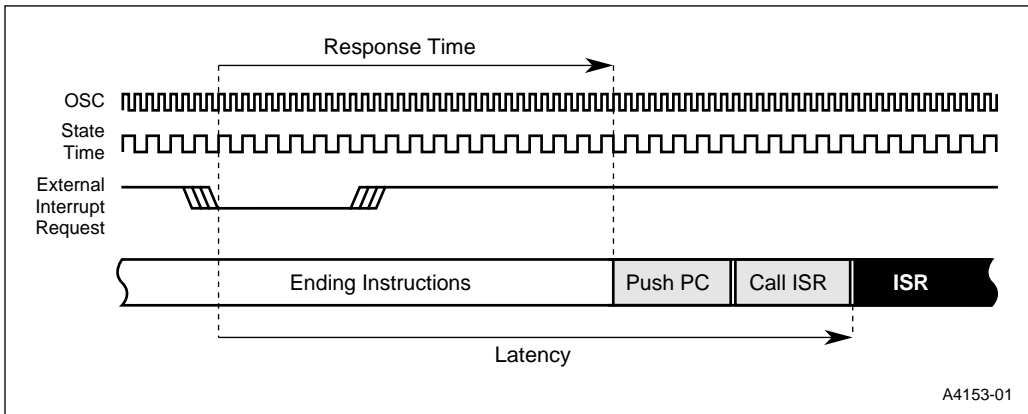
Bit Number	Bit Mnemonic	Function
7	—	Reserved. The value read from this bit is indeterminate. Write a "0" to this bit.
6	IPL0.6	PCA Interrupt Priority Bit Low
5	IPL0.5	Timer 2 Overflow Interrupt Priority Bit Low
4	IPL0.4	Serial I/O Port Interrupt Priority Bit Low
3	IPL0.3	Timer 1 Overflow Interrupt Priority Bit Low
2	IPL0.2	External Interrupt 1 Priority Bit Low
1	IPL0.1	Timer 0 Overflow Interrupt Priority Bit Low
0	IPL0.0	External Interrupt 0 Priority Bit Low

**Figure 6-4. Interrupt Priority Low Register**



### 6.7 INTERRUPT PROCESSING

Interrupt processing is a dynamic operation that begins when a source requests an interrupt and lasts until the execution of the first instruction in the interrupt service routine (see Figure 6-5). *Response time* is the amount of time between the interrupt request and the resulting break in the current instruction stream. *Latency* is the amount of time between the interrupt request and the execution of the first instruction in the interrupt service routine. These periods are dynamic due to the presence of both fixed-time sequences and several variable conditions. These conditions contribute to total elapsed time.



**Figure 6-5. The Interrupt Process**

Both response time and latency begin with the request. The subsequent minimum fixed sequence comprises the interrupt sample, poll, and request operations. The variables consist of (but are not limited to): specific instructions in use at request time, internal versus external interrupt source requests, internal versus external program operation, stack location, presence of wait states, page-mode operation, and branch pointer length.

**NOTE**

In the following discussion, external interrupt request pins are assumed to be inactive for at least four state times prior to assertion. In this chapter all external hardware signals maintain some setup period (i.e., less than one state time). Signals must meet  $V_{IH}$  and  $V_{IL}$  specifications prior to any state time under discussion. This setup state time is not included in examples or calculations for either response or latency.

### 6.7.1 Minimum Fixed Interrupt Time

All interrupts are sampled or polled every four state times (see Figure 6-5). Two of eight interrupts are latched and polled per state time within any given four state time window. One additional state time is required for a context switch request. For code branches to jump locations in the current 64-Kbyte memory region (compatible with MCS 51 microcontrollers), the context switch time is 11 states. Therefore, the minimum fixed poll and request time is 16 states (4 poll states + 1 request state + 11 states for the context switch = 16 state times).

Therefore, this minimum fixed period rests upon four assumptions:

- The source request is an internal interrupt with high enough priority to take precedence over other potential interrupts,
- The request is coincident with internal execution and needs no instruction completion time,
- The program uses an internal stack location, and
- The ISR is in on-chip OTPROM/ROM.

### 6.7.2 Variable Interrupt Parameters

Both response time and latency calculations contain fixed and variable components. By definition, it is often difficult to predict exact timing calculations for real-time requests. One large variable is the completion time of an instruction cycle coincident with the occurrence of an interrupt request. Worst-case predictions typically use the longest-executing instruction in an architecture's code set. In the case of the 8XC251Sx, the longest-executing instruction is a 16-bit divide (DIV). However, even this 21- state instruction may have only 1 or 2 remaining states to complete before the interrupt system injects a context switch. This uncertainty affects both response time and latency.

#### 6.7.2.1 Response Time Variables

Response time is defined as the start of a dynamic time period when a source requests an interrupt and lasts until a break in the current instruction execution stream occurs (see Figure 6-5). Response time (and therefore latency) is affected by two primary factors: the incidence of the request relative to the four-state-time sample window and the completion time of instructions in the response period (i.e., shorter instructions complete earlier than longer instructions).

#### NOTE

External interrupt signals require one additional state time in comparison to internal interrupts. This is necessary to sample and latch the pin value prior to a poll of interrupts. The sample occurs in the first half of the state time and the poll/request occurs in the second half of the next state time. Therefore, this sample and poll/request portion of the minimum fixed response and latency

time is five states for internal interrupts and six states for external interrupts. External interrupts must remain active for at least five state times to guarantee interrupt recognition when the request occurs immediately after a sample has been taken (i.e., requested in the second half of a sample state time).

If the external interrupt goes active one state after the sample state, the pin is not resampled for another three states. After the second sample is taken and the interrupt request is recognized, the interrupt controller requests the context switch. The programmer must also consider the time to complete the instruction at the moment the context switch request is sent to the execution unit. If 9 states of a 10-state instruction have completed when the context switch is requested, the total response time is 6 states, with a context switch immediately after the final state of the 10-state instruction (see Figure 6-6).

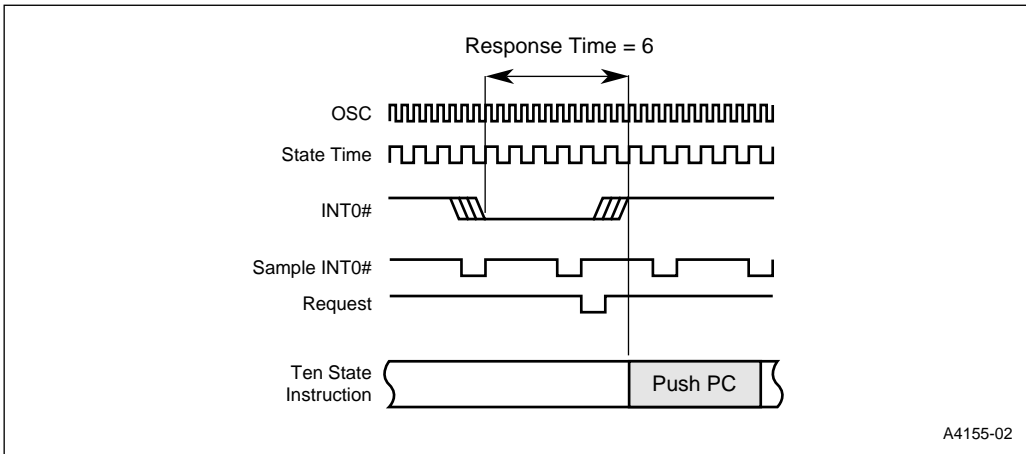
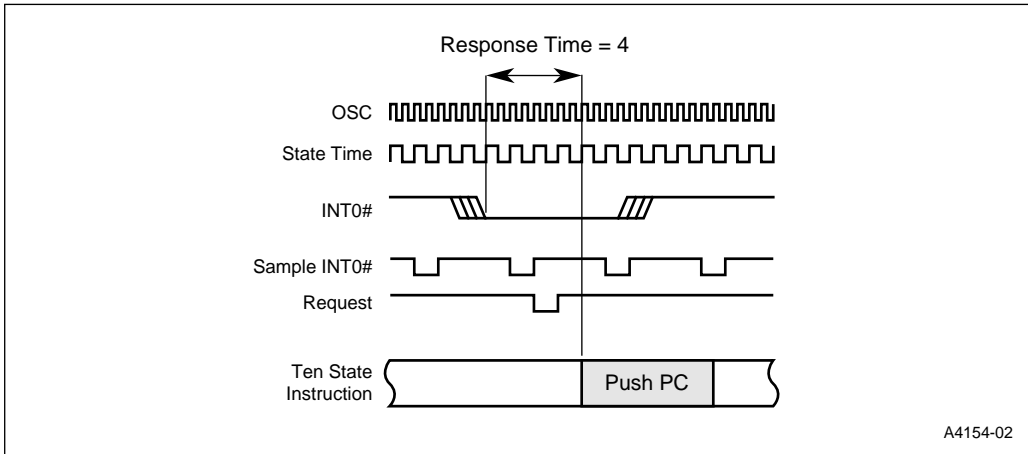


Figure 6-6. Response Time Example #1

Conversely, if the external interrupt requests service in the state just prior to the next sample, response is much quicker. One state asserts the request, one state samples, and one state requests the context switch. If at that point the same instruction conditions exist, one additional state time is needed to complete the 10-state instruction prior to the context switch (see Figure 6-7). The total response time in this case is four state times. The programmer must evaluate all pertinent conditions for accurate predictability.



**Figure 6-7. Response Time Example #2**

**6.7.2.2 Computation of Worst-case Latency With Variables**

Worst-case latency calculations assume that the longest 8XC251S<sub>x</sub> instruction used in the program must fully execute prior to a context switch. The instruction execution time is reduced by one state with the assumption the instruction state overlaps the request state (therefore, 16-bit DIV is 21 state times - 1 = 20 states for latency calculations). The calculations add fixed and variable interrupt times (see Table 6-6) to this instruction time to predict latency. The worst-case latency (both fixed and variable times included) is expressed by a pseudo-formula:

$$\text{FIXED\_TIME} + \text{VARIABLES} + \text{LONGEST\_INSTRUCTION} = \text{MAXIMUM LATENCY PREDICTION}$$

**Table 6-6. Interrupt Latency Variables**

Variable	INT0#, INT1#, T2EX	External Execution	Page Mode	>64K Jump to ISR (1)	External Memory Wait State	External Stack <64K (1)	External Stack >64K (1)	External Stack Wait State
Number of States Added	1	2	1	8	1 per bus cycle	4	8	1 per bus cycle

**NOTES:**

- <64K/>64K means inside/outside the 64-Kbyte memory region where code is executing.
- Base-case fixed time is 16 states and assumes:
  - A 2-byte instruction is the first ISR byte.
  - <64K jump to ISR
  - Internal peripheral interrupt
  - Internal execution
  - Internal stack

**6.7.2.3 Latency Calculations**

Assume the use of a zero-wait-state external memory where current instructions, the ISR, and the stack are located within the same 64-Kbyte memory region (compatible with memory maps for MCS 51 microcontrollers.) Further, assume there are 3 states yet to complete in the current 21-state DIV instruction when INT0# requests service. Also assume INT0# has made the request one state prior to the sample state (as in Figure 6-7). Unlike in Figure 6-7, the response time for this assumption is three state times as the current instruction completes in time for the branch to occur. Latency calculations begin with the minimum fixed latency of 16 states. From Table 6-6, one state is added for an INT0# request from external hardware; two states are added for external execution; and four states for an external stack in the current 64-Kbyte region. Finally, three states are added for the current instruction to complete. The actual latency is 26 states. Worst-case latency calculations predict 43 states for this example due to inclusion of total DIV instruction time (less one state).

**Table 6-7. Actual vs. Predicted Latency Calculations**

Latency Factors	Actual	Predicted
Base Case Minimum Fixed Time	16	16
INT0# External Request	1	1
External Execution	2	2
<64K Byte Stack Location	4	4
Execution Time for Current DIV Instruction	3	20
TOTAL	26	43

#### 6.7.2.4 Blocking Conditions

If all enable and priority requirements have been met, a single prioritized interrupt request at a time generates a vector cycle to an interrupt service routine (refer to the CALL instructions in Appendix A, “Instruction Set Reference”). There are three causes of blocking conditions with hardware-generated vectors:

1. An interrupt of equal or higher priority level is already in progress (defined as any point after the flag has been set and the RETI of the ISR has not executed).
2. The current polling cycle is not the final cycle of the instruction in progress.
3. The instruction in progress is RETI or any write to the IE0, IPH0, or IPL0 registers.

Any of these conditions blocks calls to interrupt service routines. Condition two ensures the instruction in progress completes before the system vectors to the ISR. Condition three ensures at least one more instruction executes before the system vectors to additional interrupts if the instruction in progress is a RETI or any write to IE0, IPH0, or IPL0. The complete polling cycle is repeated every four state times.

#### 6.7.2.5 Interrupt Vector Cycle

When an interrupt vector cycle is initiated, the CPU breaks the instruction stream sequence, resolves all instruction pipeline decisions, and pushes multiple program counter (PC) bytes onto the stack. The CPU then reloads the PC with a start address for the appropriate ISR. The number of bytes pushed to the stack depends upon the INTR bit in the UCONFIG1 configuration byte (see Figure 4-4 on page 4-7). The complete sample, poll, request and context switch vector sequence is illustrated in the interrupt latency timing diagram (Figure 6-5).

#### NOTE

If the interrupt flag for a level-triggered external interrupt is set but denied for one of the above conditions and is clear when the blocking condition is removed, then the denied interrupt is ignored. In other words, blocked interrupt requests are not buffered for retention.

### 6.7.3 ISRs in Process

ISR execution proceeds until the RETI instruction is encountered. The RETI instruction informs the processor that the interrupt routine is completed. The RETI instruction in the ISR pops PC address bytes off the stack (as well as PSW1 for INTR = 1) and execution resumes at the suspended instruction stream.

#### NOTE

Some programs written for MCS 51 microcontrollers use RETI instead of RET to return from a subroutine that is called by ACALL or LCALL (i.e., not an interrupt service routine (ISR)). In the 8XC251Sx, this causes a compatibility problem if INTR = 1 in configuration byte CONFIG1. In this case, the CPU pushes four bytes (the three-byte PC and PSW1) onto the stack when the routine is called and pops the same four bytes when the RETI is executed. In contrast, RET pushes and pops only the lower two bytes of the PC. To maintain compatibility, configure the 8XC251Sx with INTR = 0.

With the exception of TRAP, the start addresses of consecutive interrupt service routines are eight bytes apart. If consecutive interrupts are used (IE0 and TF0, for example, or TF0 and IE1), the first interrupt routine (if more than seven bytes long) must execute a jump to some other memory location. This prevents overlap of the start address of the following interrupt routine.







**7**

# **Input/Output Ports**





# CHAPTER 7

## INPUT/OUTPUT PORTS

### 7.1 INPUT/OUTPUT PORT OVERVIEW

The 8XC251Sx uses input/output (I/O) ports to exchange data with external devices. In addition to performing general-purpose I/O, some ports are capable of external memory operations (see Chapter 13, “External Memory Interface”); others allow for alternate functions. All four 8XC251Sx I/O ports are bidirectional. Each port contains a latch, an output driver, and an input buffer. Port 0 and port 2 output drivers and input buffers facilitate external memory operations. Port 0 drives the lower address byte onto the parallel address bus, and port 2 drives the upper address byte onto the bus. In nonpage mode, the data is multiplexed with the lower address byte on port 0. In page mode, the data is multiplexed with the upper address byte on port 2. All port 1 and port 3 pins serve for both general-purpose I/O and alternate functions (see Table 7-1).

**Table 7-1. Input/Output Port Pin Descriptions**

Pin Name	Type	Alternate Pin Name	Alternate Description	Alternate Type
P0.7:0	I/O	AD7:0	Address/Data (Nonpage Mode), Address (Page Mode)	I/O
P1.0	I/O	T2	Timer 2 Clock Input/Output	I/O
P1.1	I/O	T2EX	Timer 2 External Input	I
P1.2	I/O	ECI	PCA External Clock Input	I
P1.3	I/O	CEX0	PCA Module 0 I/O	I/O
P1.4	I/O	CEX1	PCA Module 1 I/O	I/O
P1.5	I/O	CEX2	PCA Module 2 I/O	I/O
P1.6	I/O	CEX3/WAIT#	PCA Module 3 I/O	I/O
P1.7	I/O	CEX4/A17/WCLK	PCA Module 4 I/O or 18th Address Bit	I/O(O)
P2.7:0	I/O	A15:8	Address (Nonpage Mode), Address/Data (Page Mode)	I/O
P3.0	I/O	RXD	Serial Port Receive Data Input	I (I/O)
P3.1	I/O	TXD	Serial Port Transmit Data Output	O (O)
P3.2	I/O	INT0#	External Interrupt 0	I
P3.3	I/O	INT1#	External Interrupt 1	I
P3.4	I/O	T0	Timer 0 Input	I
P3.5	I/O	T1	Timer 1 Input	I
P3.6	I/O	WR#	Write Signal to External Memory	O
P3.7	I/O	RD#/A16	Read Signal to External Memory or 17th Address Bit	O

## 7.2 I/O CONFIGURATIONS

Each port SFR operates via type-D latches, as illustrated in Figure 7-1 for ports 1 and 3. A CPU “write to latch” signal initiates transfer of internal bus data into the type-D latch. A CPU “read latch” signal transfers the latched Q output onto the internal bus. Similarly, a “read pin” signal transfers the logical level of the port pin. Some port data instructions activate the “read latch” signal while others activate the “read pin” signal. Latch instructions are referred to as read-modify-write instructions (see section 7.5, “Read-Modify-Write Instructions”). Each I/O line may be independently programmed as input or output.

### 7.3 PORT 1 AND PORT 3

Figure 7-1 shows the structure of ports 1 and 3, which have internal pullups. An external source can pull the pin low. Each port pin can be configured either for general-purpose I/O or for its alternate input or output function (Table 7-1).

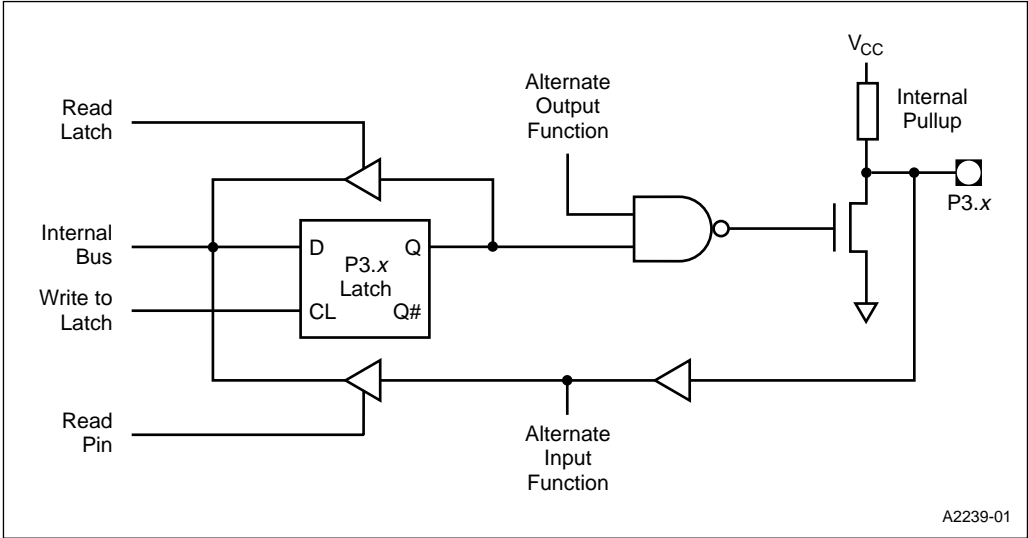
To use a pin for general-purpose output, set or clear the corresponding bit in the P<sub>x</sub> register ( $x = 1, 3$ ). To use a pin for general-purpose input, set the bit in the P<sub>x</sub> register. This turns off the output driver FET.

To configure a pin for its alternate function, set the bit in the P<sub>x</sub> register. When the latch is set, the “alternate output function” signal controls the output level (Figure 7-1). The operation of ports 1 and 3 is discussed further in section 7.6, “Quasi-bidirectional Port Operation.”

### 7.4 PORT 0 AND PORT 2

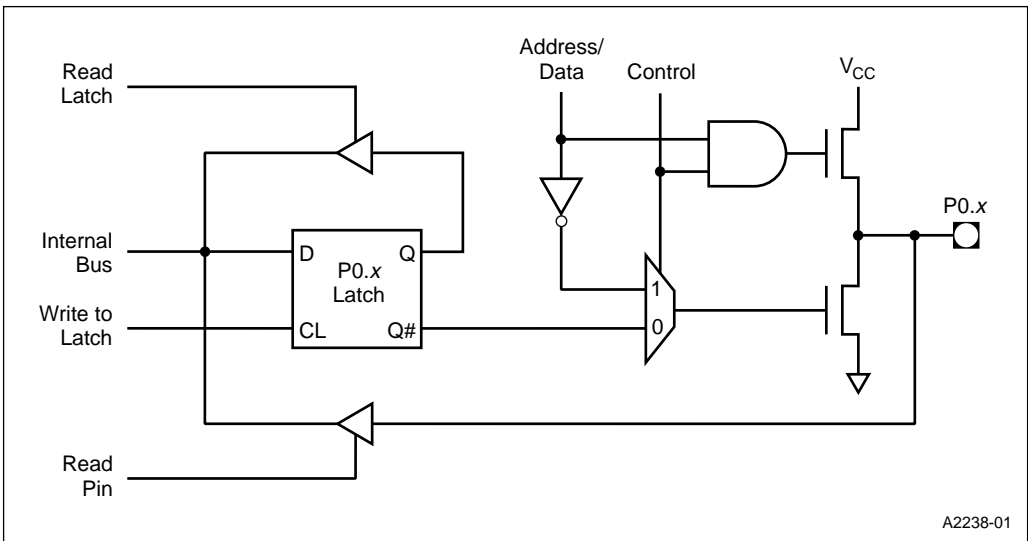
Ports 0 and 2 are used for general-purpose I/O or as the external address/data bus. Port 0, shown in Figure 7-2, differs from the other ports in not having internal pullups. Figure 7-3 shows the structure of port 2. An external source can pull a port 2 pin low.

To use a pin for general-purpose output, set or clear the corresponding bit in the P<sub>x</sub> register ( $x = 0, 2$ ). To use a pin for general-purpose input set the bit in the P<sub>x</sub> register to turn off the output driver FET.



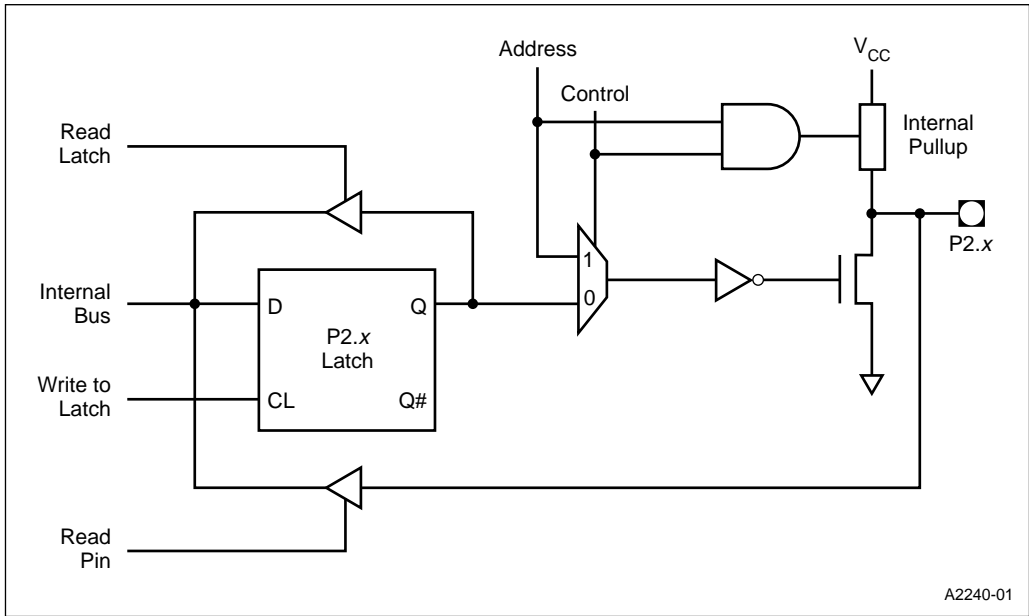
A2239-01

Figure 7-1. Port 1 and Port 3 Structure



A2238-01

Figure 7-2. Port 0 Structure



**Figure 7-3. Port 2 Structure**

When port 0 and port 2 are used for an external memory cycle, an internal control signal switches the output-driver input from the latch output to the internal address/data line. Section 7.8, “External Memory Access,” discusses the operation of port 0 and port 2 as the external address/data bus.

**NOTE**

Port 0 and port 2 are precluded from use as general purpose I/O ports when used as address/data bus drivers.

Port 0 internal pullups assist the logic-one output for memory bus cycles only. Except for these bus cycles, the pullup FET is off. All other port 0 outputs are open drain.

## 7.5 READ-MODIFY-WRITE INSTRUCTIONS

Some instructions read the latch data rather than the pin data. The latch based instructions read the data, modify the data, and then rewrite the latch. These are called “read-modify-write” instructions. Below is a complete list of these special instructions. When the destination operand is a port, or a port bit, these instructions read the latch rather than the pin:

ANL	(logical AND, e.g., ANL P1, A)
ORL	(logical OR, e.g., ORL P2, A)
XRL	(logical EX-OR, e.g., XRL P3, A)
JBC	(jump if bit = 1 and clear bit, e.g., JBC P1.1, LABEL)
CPL	(complement bit, e.g., CPL P3.0)
INC	(increment, e.g., INC P2)
DEC	(decrement, e.g., DEC P2)
DJNZ	(decrement and jump if not zero, e.g., DJNZ P3, LABEL)
MOV PX.Y, C	(move carry bit to bit Y of port X)
CLR PX.Y	(clear bit Y of port X)
SETB PX.Y	(set bit Y of port x)

It is not obvious that the last three instructions in this list are read-modify-write instructions. These instructions read the port (all 8 bits), modify the specifically addressed bit, and write the new byte back to the latch. These read-modify-write instructions are directed to the latch rather than the pin in order to avoid possible misinterpretation of voltage (and therefore, logic) levels at the pin. For example, a port bit used to drive the base of an external bipolar transistor cannot rise above the transistor’s base-emitter junction voltage (a value lower than  $V_{IL}$ ). With a logic one written to the bit, attempts by the CPU to read the port at the pin are misinterpreted as logic zero. A read of the latch rather than the pin returns the correct logic-one value.

## 7.6 QUASI-BIDIRECTIONAL PORT OPERATION

Port 1, port 2, and port 3 have fixed internal pullups and are referred to as “quasi-bidirectional” ports. When configured as an input, the pin impedance appears as logic one and sources current (see the 8XC251Sx datasheet) in response to an external logic-zero condition. Port 0 is a “true bidirectional” pin. The pin floats when configured as input. Resets write logical one to all port latches. If logical zero is subsequently written to a port latch, it can be returned to input conditions by a logical one written to the latch. For additional electrical information, refer to the 8XC251SA, SB, SP, SQ High-Performance CHMOS Microcontroller Datasheet.

### NOTE

Port latch values change near the end of read-modify-write instruction cycles. Output buffers (and therefore the pin state) update early in the instruction after the read-modify-write instruction cycle.

Logical zero-to-one transitions in port 1, port 2, and port 3 utilize an additional pullup to aid this logic transition (see Figure 7-4). This increases switch speed. The extra pullup briefly sources 100 times the normal internal circuit current. The internal pullups are field-effect transistors rather than linear resistors. Pullups consist of three p-channel FET (pFET) devices. A pFET is on when the gate senses logical zero and off when the gate senses logical one. pFET #1 is turned on for two oscillator periods immediately after a zero-to-one transition in the port latch. A logic one at the port pin turns on pFET #3 (a weak pullup) through the inverter. This inverter and pFET pair form a latch to drive logic one. pFET #2 is a very weak pullup switched on whenever the associated nFET is switched off. This is the traditional CMOS switch convention. Current strengths are 1/10 that of pFET #3.



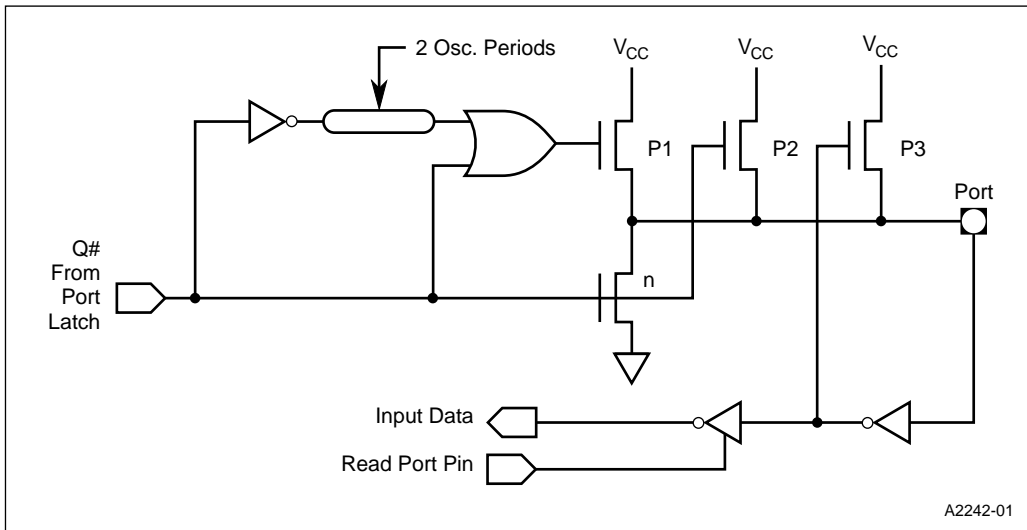


Figure 7-4. Internal Pullup Configurations

## 7.7 PORT LOADING

Output buffers of port 1, port 2, and port 3 can each sink 1.6 mA at logic zero (see  $V_{OL}$  specifications in the 8XC251Sx data sheet). These port pins can be driven by open-collector and open-drain devices. Logic zero-to-one transitions occur slowly as limited current pulls the pin to a logic-one condition (Figure 7-4). A logic-zero input turns off pFET #3. This leaves only pFET #2 weakly in support of the transition. In external bus mode, port 0 output buffers each sink 3.2 mA at logic zero (see  $V_{OL1}$  in the 8XC251Sx data sheet). However, the port 0 pins require external pullups to drive external gate inputs. See the latest revision of the 8XC251Sx datasheet for complete electrical design information. External circuits must be designed to limit current requirements to these conditions.

## 7.8 EXTERNAL MEMORY ACCESS

The external bus structure is different for page mode and nonpage mode. In nonpage mode (used by MCS 51 microcontrollers), port 2 outputs the upper address byte; the lower address byte and the data are multiplexed on port 0. In page mode, the upper address byte and the data are multiplexed on port 2, while port 0 outputs the lower address byte.

The 8XC251Sx CPU writes FFH to the P0 register for all external memory bus cycles. This overwrites previous information in P0. In contrast, the P2 register is unmodified for external bus cycles. When address bits or data bits are not on the port 2 pins, the bit values in P2 appear on the port 2 pins.

In nonpage mode, port 0 uses a strong internal pullup FET to output ones or a strong internal pulldown FET to output zeros for the lower address byte and the data. Port 0 is in a high-impedance state for data input.

In page mode, port 0 uses a strong internal pullup FET to output ones or a strong internal pulldown FET to output zeros for the lower address byte; port 0 also uses a strong internal pulldown FET to output zeros for the upper address byte.

In nonpage mode, port 2 uses a strong internal pullup FET to output ones or a strong internal pulldown FET to output zeros for the upper address byte. In page mode, port 2 uses a strong internal pullup FET to output ones or a strong internal pulldown FET to output zeros for the upper address byte and data. Port 2 is in a high-impedance state for data input.

#### NOTE

In external bus mode port 0 outputs do not require external pullups.

There are two types of external memory accesses: external program memory and external data memory (see Chapter 13, “External Memory Interface”). External program memories utilize signal PSEN# as a read strobe. MCS 51 microcontrollers use RD# (read) or WR# (write) to strobe memory for data accesses. Depending on its RD1:0 configuration bits, the 8XC251Sx uses PSEN# or RD# for data reads (see section 4.5.2, “Configuration Bits RD1:0”).

During instruction fetches, external program memory can transfer instructions with 16-bit addresses for binary-compatible code or with the external bus configured for extended memory addressing (17-bit or 18-bit).

External data memory transfers use an 8-, 16-, 17-, or 18-bit address bus, depending on the instruction and the configuration of the external bus. Table 7-2 lists the instructions that can be used for these bus widths.

**Table 7-2. Instructions for External Data Moves**

Bus Width	Instructions
8	MOVX @Ri; MOV @Rm; MOV dir8
16	MOVX @DPTR; MOV @WRj; MOV @WRj+dis; MOV dir16
17	MOV @DRk; MOV @DRk+dis
18	MOV @DRk; MOV @DRk+dis

**NOTE**

Avoid MOV P0 instructions for external memory accesses. These instructions can corrupt input code bytes at port 0.

External signal ALE (address latch enable) facilitates external address latch capture. The address byte is valid after the ALE pin drives  $V_{OL}$ . For write cycles, valid data is written to port 0 just prior to the write (WR#) pin asserting  $V_{OL}$ . Data remains valid until WR# is undriven. For read cycles, data returned from external memory must appear at port 0 before the read (RD#) pin is undriven (refer to the 8XC251Sx datasheet for exact specifications). Wait states, by definition, affect bus-timing.





# 8

## **Timer/Counters and Watchdog Timer**





## CHAPTER 8

# TIMER/COUNTERS AND WATCHDOG TIMER

This chapter describes the timer/counters and the watchdog timer (WDT) included as peripherals on the 8XC251Sx. When operating as a timer, a timer/counter runs for a programmed length of time, then issues an interrupt request. When operating as a counter, a timer/counter counts negative transitions on an external pin. After a preset number of counts, the counter issues an interrupt request. Timer/counters are covered in sections 8.1 through 8.6.

The watchdog timer provides a way to monitor system operation. It causes a system reset if a software malfunction allows it to expire. The watchdog timer is covered in section 8.7, “Watchdog Timer.”

### 8.1 TIMER/COUNTER OVERVIEW

The 8XC251Sx contains three general-purpose, 16-bit timer/counters. Although they are identified as timer 0, timer 1, and timer 2, you can independently configure each to operate in a variety of modes as a timer or as an event counter. Each timer employs two 8-bit timer registers, used separately or in cascade, to maintain the count. The timer registers and associated control and capture registers are implemented as addressable special function registers (SFRs). Table 8-1 briefly describes the SFRs referred to in this chapter. Four of the SFRs provide programmable control of the timers as follows:

- Timer/counter mode control register (TMOD) and timer/counter control register (TCON) control timer 0 and timer 1
- Timer/counter 2 mode control register (T2MOD) and timer/counter 2 control register (T2CON) control timer 2

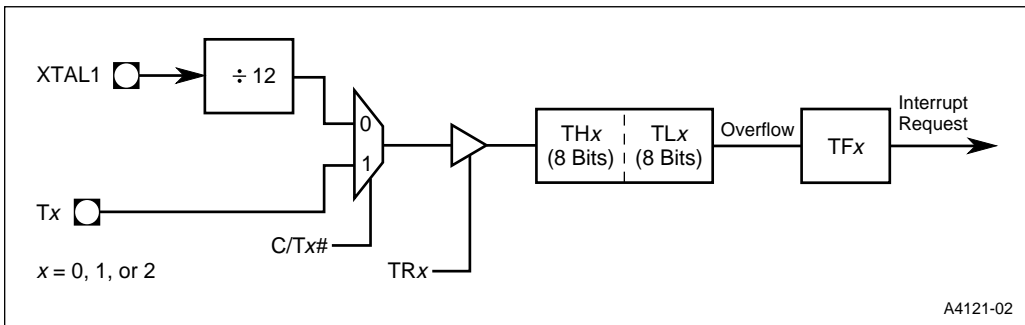
For a map of the SFR address space, see Table 3-5 on page 3-17. Table 8-2 describes the external signals referred to in this chapter.

### 8.2 TIMER/COUNTER OPERATION

The block diagram in Figure 8-1 depicts the basic logic of the timers. Here timer registers TH<sub>x</sub> and TL<sub>x</sub> ( $x = 0, 1, \text{ and } 2$ ) connect in cascade to form a 16-bit timer. Setting the run control bit (TR<sub>x</sub>) turns the timer on by allowing the selected input to increment TL<sub>x</sub>. When TL<sub>x</sub> overflows it increments TH<sub>x</sub>; when TH<sub>x</sub> overflows it sets the timer overflow flag (TF<sub>x</sub>) in the TCON or T2CON register. Setting the run control bit does not clear the TH<sub>x</sub> and TL<sub>x</sub> timer registers. The timer registers can be accessed to obtain the current count or to enter preset values. Timer 0 and timer 1 can also be controlled by external pin INT<sub>x</sub># to facilitate pulse width measurements.

**Table 8-1. Timer/Counter and Watchdog Timer SFRs**

Mnemonic	Description	Address
TL0 TH0	<b>Timer 0 Timer Registers.</b> Used separately as 8-bit counters or in cascade as a 16-bit counter. Counts an internal clock signal with frequency $F_{osc}/12$ (timer operation) or an external input (event counter operation).	S:8AH S:8CH
TL1 TH1	<b>Timer 1 Timer Registers.</b> Used separately as 8-bit counters or in cascade as a 16-bit counter. Counts an internal clock signal with frequency $F_{osc}/12$ (timer operation) or an external input (event counter operation).	S:8BH S:8DH
TL2 TH2	<b>Timer 2 Timer Registers.</b> TL2 and TH2 connect in cascade to provide a 16-bit counter. Counts an internal clock signal with frequency $F_{osc}/12$ (timer operation) or an external input (event counter operation).	S:CCH S:CDH
TCON	<b>Timer 0/1 Control Register.</b> Contains the run control bits, overflow flags, interrupt flags, and interrupt-type control bits for timer 0 and timer 1.	S:88H
TMOD	<b>Timer 0/1 Mode Control Register.</b> Contains the mode select bits, counter/timer select bits, and external control gate bits for timer 0 and timer 1.	S:89H
T2CON	<b>Timer 2 Control Register.</b> Contains the receive clock, transmit clock, and capture/reload bits used to configure timer 2. Also contains the run control bit, counter/timer select bit, overflow flag, external flag, and external enable for timer 2.	S:C8H
T2MOD	<b>Timer 2 Mode Control Register.</b> Contains the timer 2 output enable and down count enable bits.	S:C9H
RCAP2L RCAP2H	<b>Timer 2 Reload/Capture Registers (RCAP2L, RCAP2H).</b> Provide values to and receive values from the timer registers (TL2,TH2).	S:CAH S:CBH
WDTRST	<b>Watchdog Timer Reset Register (WDTRST).</b> Used to reset and enable the WDT.	S:A6H



**Figure 8-1. Basic Logic of the Timer/Counters**

The C/Tx# control bit selects timer operation or counter operation by selecting the divided-down system clock or external pin Tx as the source for the counted signal.



For timer operation ( $C/Tx\# = 0$ ), the timer register counts the divided-down system clock. The timer register is incremented once every peripheral cycle, i.e., once every six states (see section 2.2.2, “Clock and Reset Unit”). Since six states equals 12 clock cycles, the timer clock rate is  $F_{OSC}/12$ . Exceptions are the timer 2 baud rate and clock-out modes, where the timer register is incremented by the system clock divided by two.

For counter operation ( $C/Tx\# = 1$ ), the timer register counts the negative transitions on the Tx external input pin. The external input is sampled during every S5P2 state. Section 2.2.2, “Clock and Reset Unit,” describes the notation for the states in a peripheral cycle. When the sample is high in one cycle and low in the next, the counter is incremented. The new count value appears in the register during the next S3P1 state after the transition was detected. Since it takes 12 states (24 oscillator periods) to recognize a negative transition, the maximum count rate is 1/24 of the oscillator frequency. There are no restrictions on the duty cycle of the external input signal, but to ensure that a given level is sampled at least once before it changes, it should be held for at least one full peripheral cycle.

**Table 8-2. External Signals**

Signal Name	Type	Description	Alternate Function
T2	I/O	<b>Timer 2 Clock Input/Output.</b> This signal is the external clock input for the timer 2 capture mode; and it is the timer 2 clock-output for the clock-out mode.	P1.0
T2EX	I	<b>Timer 2 External Input.</b> In timer 2 capture mode, a falling edge initiates a capture of the timer 2 registers. In auto-reload mode, a falling edge causes the timer 2 registers to be reloaded. In the up-down counter mode, this signal determines the count direction: high = up, low = down.	P1.1
INT1:0#	I	<b>External Interrupts 1:0.</b> These inputs set the IE1:0 interrupt flags in the TCON register. TCON bits IT1:0 select the triggering method: IT1:0 = 1 selects edge-triggered (high-to-low); IT1:0 = 0 selects level-triggered (active low). INT1:0# also serves as external run control for timer 1:0 when selected by TCON bits GATE1:0#.	P3.3:2
T1:0	I	<b>Timer 1:0 External Clock Inputs.</b> When timer 1:0 operates as a counter, a falling edge on the T1:0 pin increments the count.	P3.5:4

### 8.3 TIMER 0

Timer 0 functions as either a timer or event counter in four modes of operation. Figures 8-2, 8-3, and 8-4 show the logical configuration of each mode.

Timer 0 is controlled by the four low-order bits of the TMOD register (Figure 8-5) and bits 5, 4, 1, and 0 of the TCON register (Figure 8-6). The TMOD register selects the method of timer gating (GATE0), timer or counter operation (T/C0#), and mode of operation (M10 and M00). The TCON register provides timer 0 control functions: overflow flag (TF0), run control (TR0), interrupt flag (IE0), and interrupt type control (IT0).

For normal timer operation ( $GATE0 = 0$ ), setting  $TR0$  allows  $TL0$  to be incremented by the selected input. Setting  $GATE0$  and  $TR0$  allows external pin  $INT0\#$  to control timer operation. This setup can be used to make pulse width measurements. See section 8.5.2, "Pulse Width Measurements."

Timer 0 overflow (count rolls over from all 1s to all 0s) sets the  $TF0$  flag generating an interrupt request.

### 8.3.1 Mode 0 (13-bit Timer)

Mode 0 configures timer 0 as a 13-bit timer which is set up as an 8-bit timer ( $TH0$  register) with a modulo 32 prescaler implemented with the lower five bits of the  $TL0$  register (Figure 8-2). The upper three bits of the  $TL0$  register are indeterminate and should be ignored. Prescaler overflow increments the  $TH0$  register.

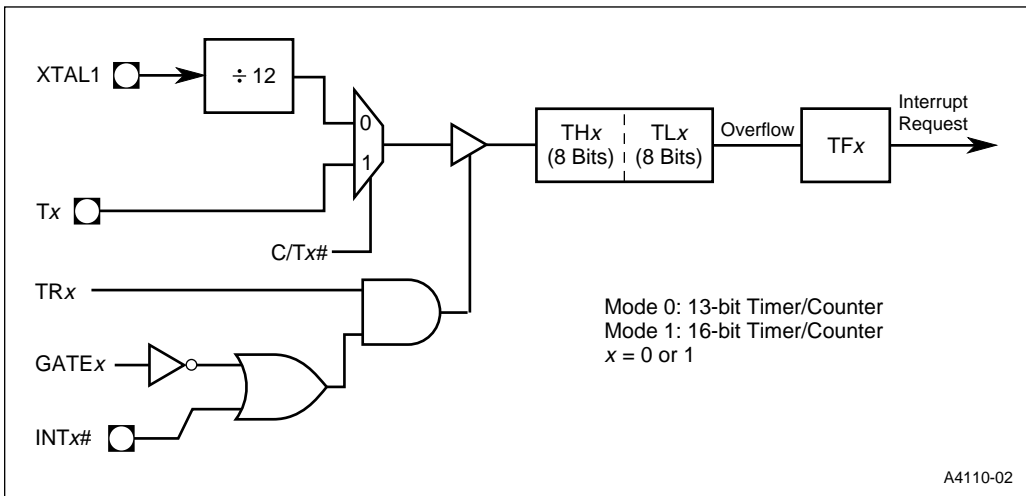


Figure 8-2. Timer 0/1 in Mode 0 and Mode 1

### 8.3.2 Mode 1 (16-bit Timer)

Mode 1 configures timer 0 as a 16-bit timer with  $TH0$  and  $TL0$  connected in cascade (Figure 8-2). The selected input increments  $TL0$ .

### 8.3.3 Mode 2 (8-bit Timer With Auto-reload)

Mode 2 configures timer 0 as an 8-bit timer (TL0 register) that automatically reloads from the TH0 register (Figure 8-3). TL0 overflow sets the timer overflow flag (TF0) in the TCON register and reloads TL0 with the contents of TH0, which is preset by software. When the interrupt request is serviced, hardware clears TF0. The reload leaves TH0 unchanged. See section 8.5.1, “Auto-load Setup Example.”

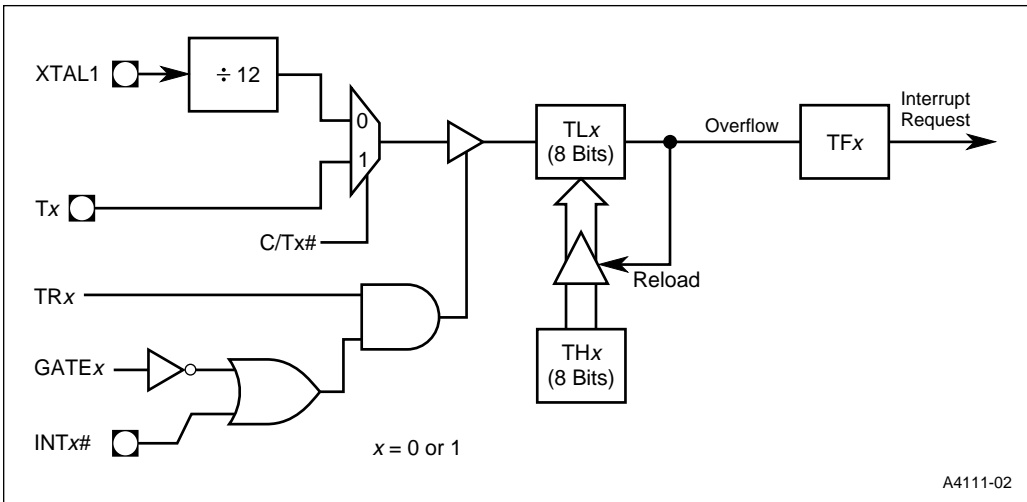


Figure 8-3. Timer 0/1 in Mode 2, Auto-Reload

### 8.3.4 Mode 3 (Two 8-bit Timers)

Mode 3 configures timer 0 such that registers TL0 and TH0 operate as separate 8-bit timers (Figure 8-4). This mode is provided for applications requiring an additional 8-bit timer or counter. TL0 uses the timer 0 control bits C/T0# and GATE0 in TMOD, and TR0 and TF0 in TCON in the normal manner. TH0 is locked into a timer function (counting  $F_{OSC}/12$ ) and takes over use of the timer 1 interrupt (TF1) and run control (TR1) bits. Thus, operation of timer 1 is restricted when timer 0 is in mode 3. See section 8.4, “Timer 1,” and section 8.4.4, “Mode 3 (Halt).”

## 8.4 TIMER 1

Timer 1 functions as either a timer or event counter in three modes of operation. Figures 8-2 and 8-3 show the logical configuration for modes 0, 1, and 2. Timer 1’s mode 3 is a hold-count mode.

Timer 1 is controlled by the four high-order bits of the TMOD register (Figure 8-5) and bits 7, 6, 3, and 2 of the TCON register (Figure 8-6). The TMOD register selects the method of timer gating (GATE1), timer or counter operation (T/C1#), and mode of operation (M11 and M01). The TCON register provides timer 1 control functions: overflow flag (TF1), run control (TR1), interrupt flag (IE1), and interrupt type control (IT1).

Timer 1 operation in modes 0, 1, and 2 is identical to timer 0. Timer 1 can serve as the baud rate generator for the serial port. Mode 2 is best suited for this purpose.

For normal timer operation (GATE1 = 0), setting TR1 allows timer register TL1 to be incremented by the selected input. Setting GATE1 and TR1 allows external pin INT1# to control timer operation. This setup can be used to make pulse width measurements. See section 8.5.2, "Pulse Width Measurements."

Timer 1 overflow (count rolls over from all 1s to all 0s) sets the TF1 flag generating an interrupt request.

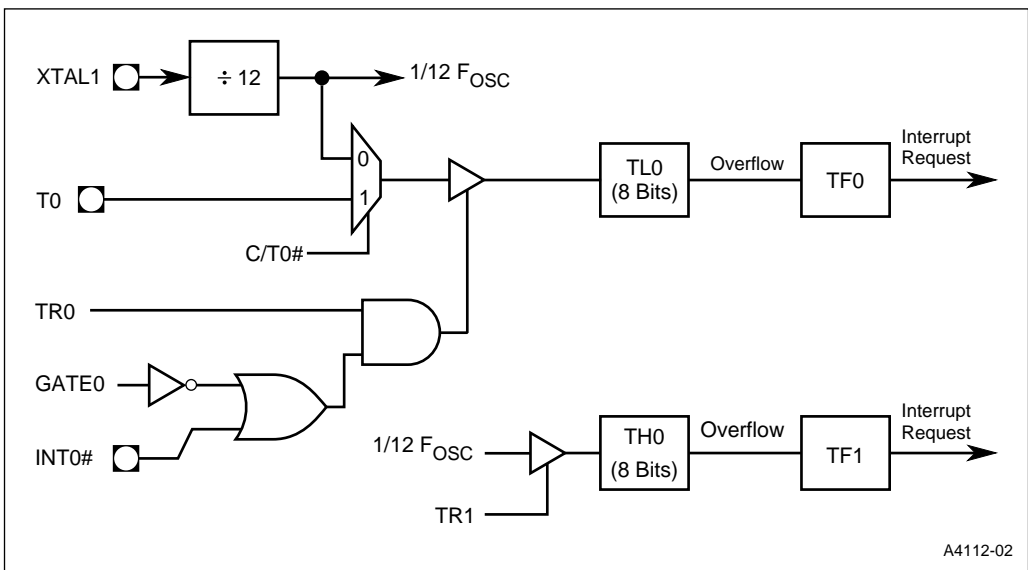


Figure 8-4. Timer 0 in Mode 3, Two 8-bit Timers

<b>TMOD</b>				Address: S:89H			
				Reset State: 0000 0000B			
7						0	
GATE1	C/T1#	M11	M01	GATE0	C/T0#	M10	M00

Bit Number	Bit Mnemonic	Function
7	GATE1	<p>Timer 1 Gate:</p> <p>When GATE1 = 0, run control bit TR1 gates the input signal to the timer register. When GATE1 = 1 and TR1 = 1, external signal INT1 gates the timer input.</p>
6	C/T1#	<p>Timer 1 Counter/Timer Select:</p> <p>C/T1# = 0 selects timer operation: timer 1 counts the divided-down system clock. C/T1# = 1 selects counter operation: timer 1 counts negative transitions on external pin T1.</p>
5, 4	M11, M01	<p>Timer 1 Mode Select:</p> <p><b>M11 M01</b></p> <p>0 0 Mode 0: 8-bit timer/counter (TH1) with 5-bit prescaler (TL1)</p> <p>0 1 Mode 1: 16-bit timer/counter</p> <p>1 0 Mode 2: 8-bit auto-reload timer/counter (TL1). Reloaded from TH1 at overflow</p> <p>1 1 Mode 3: Timer 1 halted. Retains count.</p>
3	GATE0	<p>Timer 0 Gate:</p> <p>When GATE0 = 0, run control bit TR0 gates the input signal to the timer register. When GATE0 = 1 and TR0 = 1, external signal INT0 gates the timer input.</p>
2	C/T0#	<p>Timer 0 Counter/Timer Select:</p> <p>C/T0# = 0 selects timer operation: timer 0 counts the divided-down system clock. C/T0# = 1 selects counter operation: timer 0 counts negative transitions on external pin T0.</p>
1, 0	M10, M00	<p>Timer 0 Mode Select:</p> <p><b>M10 M00</b></p> <p>0 0 Mode 0: 8-bit timer/counter (T0) with 5-bit prescaler (TL0)</p> <p>0 1 Mode 1: 16-bit timer/counter</p> <p>1 0 Mode 2: 8-bit auto-reload timer/counter (TL0). Reloaded from TH0 at overflow.</p> <p>1 1 Mode 3: TL0 is an 8-bit timer/counter. TH0 is an 8-bit timer using timer 1's TR1 and TF1 bits.</p>

**Figure 8-5. TMOD: Timer/Counter Mode Control Register**

<b>TCON</b>				Address: S:88H			
				Reset State: 0000 0000B			
7				0			
TF1	TR1	TF0	TR0	IE1	IT1	IE0	IT0

Bit Number	Bit Mnemonic	Function
7	TF1	Timer 1 Overflow Flag: Set by hardware when the timer 1 register overflows. Cleared by hardware when the processor vectors to the interrupt routine.
6	TR1	Timer 1 Run Control Bit: Set/cleared by software to turn timer 1 on/off.
5	TF0	Timer 0 Overflow Flag: Set by hardware when the timer 0 register overflows. Cleared by hardware when the processor vectors to the interrupt routine.
4	TR0	Timer 0 Run Control Bit: Set/cleared by software to turn timer 0 on/off.
3	IE1	Interrupt 1 Flag: Set by hardware when an external interrupt is detected on the INT1# pin. Edge- or level- triggered (see IT1). Cleared when interrupt is processed if edge-triggered.
2	IT1	Interrupt 1 Type Control Bit: Set this bit to select edge-triggered (high-to-low) for external interrupt 1. Clear this bit to select level-triggered (active low).
1	IE0	Interrupt 1 Flag: Set by hardware when an external interrupt is detected on the INT0# pin. Edge- or level- triggered (see IT0). Cleared when interrupt is processed if edge-triggered.
0	IT0	Interrupt 0 Type Control Bit: Set this bit to select edge-triggered (high-to-low) for external interrupt 0. Clear this bit to select level-triggered (active low).

**Figure 8-6. TCON: Timer/Counter Control Register**

When timer 0 is in mode 3, it uses timer 1's overflow flag (TF1) and run control bit (TR1). For this situation, use timer 1 only for applications that do not require an interrupt (such as a baud rate generator for the serial interface port) and switch timer 1 in and out of mode 3 to turn it off and on.

### 8.4.1 Mode 0 (13-bit Timer)

Mode 0 configures timer 0 as a 13-bit timer, which is set up as an 8-bit timer (TH1 register) with a modulo-32 prescaler implemented with the lower 5 bits of the TL1 register (Figure 8-2). The upper 3 bits of the TL1 register are ignored. Prescaler overflow increments the TH1 register.

### 8.4.2 Mode 1 (16-bit Timer)

Mode 1 configures timer 1 as a 16-bit timer with TH1 and TL1 connected in cascade (Figure 8-2). The selected input increments TL1.

### 8.4.3 Mode 2 (8-bit Timer with Auto-reload)

Mode 2 configures timer 1 as an 8-bit timer (TL1 register) with automatic reload from the TH1 register on overflow (Figure 8-3). Overflow from TL1 sets overflow flag TF1 in the TCON register and reloads TL1 with the contents of TH1, which is preset by software. The reload leaves TH1 unchanged. See section 8.5.1, “Auto-load Setup Example.”

### 8.4.4 Mode 3 (Halt)

Placing timer 1 in mode 3 causes it to halt and hold its count. This can be used to halt timer 1 when the TR1 run control bit is not available, i.e., when timer 0 is in mode 3. See the final paragraph of section 8.4, “Timer 1.”

## 8.5 TIMER 0/1 APPLICATIONS

Timer 0 and timer 1 are general purpose timers that can be used in a variety of ways. The timer applications presented in this section are intended to demonstrate timer setup, and do not represent the only arrangement nor necessarily the best arrangement for a given task. These examples employ timer 0, but timer 1 can be set up in the same manner using the appropriate registers.

### 8.5.1 Auto-load Setup Example

Timer 0 can be configured as an eight-bit timer (TL0) with automatic reload as follows:

1. Program the four low-order bits of the TMOD register (Figure 8-5) to specify: mode 2 for timer 0,  $C/T0\# = 0$  to select  $F_{OSC}/12$  as the timer input, and  $GATE0 = 0$  to select TR0 as the timer run control.
2. Enter an eight-bit initial value ( $n_0$ ) in timer register TL0, so that the timer overflows after the desired number of peripheral cycles.

3. Enter an eight-bit reload value ( $n_R$ ) in register TH0. This can be the same as  $n_0$  or different, depending on the application.
4. Set the TR0 bit in the TCON register (Figure 8-6) to start the timer. Timer overflow occurs after  $FFH + 1 - n_0$  peripheral cycles, setting the TF0 flag and loading  $n_R$  into TL0 from TH0. When the interrupt is serviced, hardware clears TF0.
5. The timer continues to overflow and generate interrupt requests every  $FFH + 1 - n_R$  peripheral cycles.
6. To halt the timer, clear the TR0 bit.

### 8.5.2 Pulse Width Measurements

For timer 0 and timer 1, setting  $GATE_x$  and  $TR_x$  allows an external waveform at pin  $INT_x\#$  to turn the timer on and off. This setup can be used to measure the width of a positive-going pulse present at pin  $INT_x\#$ . Pulse width measurements using timer 0 in mode 1 can be made as follows:

1. Program the four low-order bits of the TMOD register (Figure 8-5) to specify: mode 1 for timer 0,  $C/T0\# = 0$  to select  $F_{OSC}/12$  as the timer input, and  $GATE0 = 1$  to select INT0 as timer run control.
2. Enter an initial value of all zeros in the 16-bit timer register TH0/TL0, or read and store the current contents of the register.
3. Set the TR0 bit in the TCON register (Figure 8-6) to enable INT0.
4. Apply the pulse to be measured to pin INT0. The timer runs when the waveform is high.
5. Clear the TR0 bit to disable INT0.
6. Read timer register TH0/TL0 to obtain the new value.
7. Calculate pulse width =  $12 T_{OSC} \times (\text{new value} - \text{initial value})$ .
8. Example:  $F_{OSC} = 16 \text{ MHz}$  and  $12T_{OSC} = 750 \text{ ns}$ . If the new value =  $10,000_{10}$  and the initial value = 0, the pulse width =  $750 \text{ ns} \times 10,000 = 7.5 \text{ ms}$ .

## 8.6 TIMER 2

Timer 2 is a 16-bit timer/counter. The count is maintained by two eight-bit timer registers, TH2 and TL2, connected in cascade. The timer/counter 2 mode control register (T2MOD, as shown in Figure 8-11 on page 8-16) and the timer/counter 2 control register (T2CON, as shown in Figure 8-12 on page 8-17) control the operation of timer 2.



Timer 2 provides the following operating modes: capture mode, auto-reload mode, baud rate generator mode, and programmable clock-out mode. Select the operating mode with T2MOD and TCON register bits as shown in Table 8-3 on page 8-15. Auto-reload is the default mode. Setting RCLK and/or TCLK selects the baud rate generator mode.

Timer 2 operation is similar to timer 0 and timer 1. C/T2# selects  $F_{OSC} / 12$  (timer operation) or external pin T2 (counter operation) as the timer register input. Setting TF2 allows TL2 to be incremented by the selected input.

The operating modes are described in the following paragraphs. Block diagrams in Figures 8-7 through 8-10 show the timer 2 configuration for each mode.

### 8.6.1 Capture Mode

In the capture mode, timer 2 functions as a 16-bit timer or counter (Figure 8-7). An overflow condition sets bit TF2, which you can use to request an interrupt. Setting the external enable bit EXEN2 allows the RCAP2H and RCAP2L registers to capture the current value in timer registers TH2 and TL2 in response to a 1-to-0 transition at external input T2EX. The transition at T2EX also sets bit EXF2 in T2CON. The EXF2 bit, like TF2, can generate an interrupt.

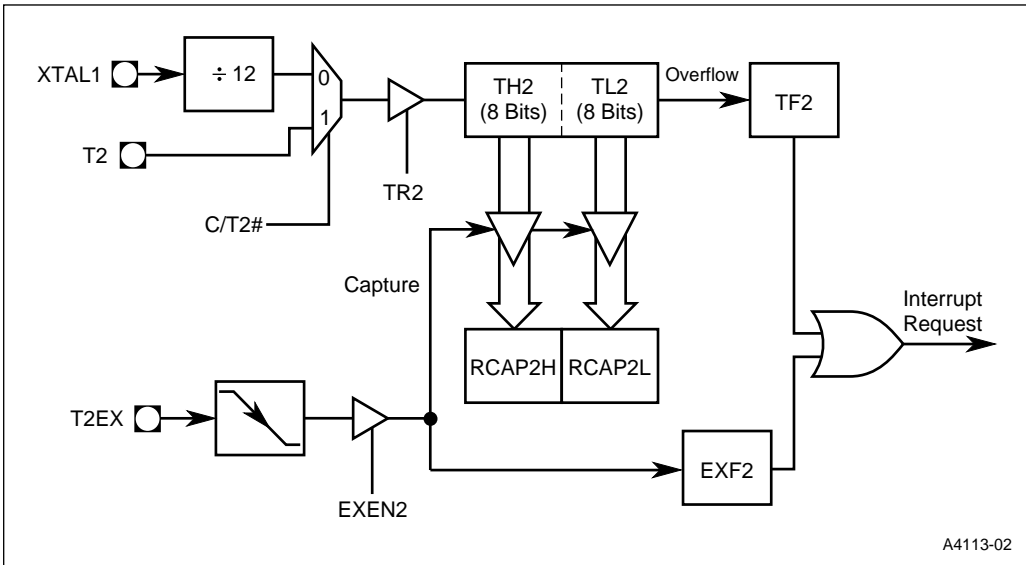


Figure 8-7. Timer 2: Capture Mode

## 8.6.2 Auto-reload Mode

The auto-reload mode configures timer 2 as a 16-bit timer or event counter with automatic reload. The timer operates as an up counter or as an up/down counter, as determined by the down counter enable bit (DCEN). At device reset, DCEN is cleared, so in the auto-reload mode, timer 2 defaults to operation as an up counter.

### 8.6.2.1 Up Counter Operation

When DCEN = 0, timer 2 operates as an up counter (Figure 8-8). The external enable bit EXEN2 in the T2CON register provides two options (Figure 8-12). If EXEN2 = 0, timer 2 counts up to FFFFH and sets the TF2 overflow flag. The overflow condition loads the 16-bit value in the reload/capture registers (RCAP2H, RCAP2L) into the timer registers (TH2, TL2). The values in RCAP2H and RCAP2L are preset by software.

If EXEN2 = 1, the timer registers are reloaded by either a timer overflow or a high-to-low transition at external input T2EX. This transition also sets the EXF2 bit in the T2CON register. Either TF2 or EXF2 bit can generate a timer 2 interrupt request.

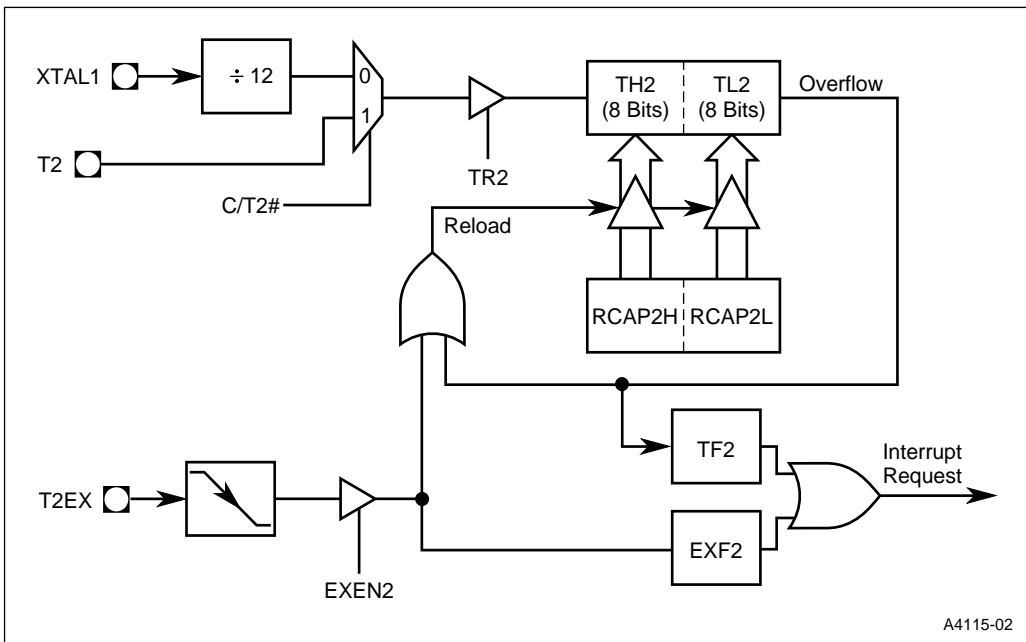


Figure 8-8. Timer 2: Auto Reload Mode (DCEN = 0)

8.6.2.2 Up/Down Counter Operation

When DCEN = 1, timer 2 operates as an up/down counter (Figure 8-9). External pin T2EX controls the direction of the count (Table 8-2 on page 8-3). When T2EX is high, timer 2 counts up. The timer overflow occurs at FFFFH which sets the timer 2 overflow flag (TF2) and generates an interrupt request. The overflow also causes the 16-bit value in RCAP2H and RCAP2L to be loaded into the timer registers TH2 and TL2.

When T2EX is low, timer 2 counts down. Timer underflow occurs when the count in the timer registers (TH2, TL2) equals the value stored in RCAP2H and RCAP2L. The underflow sets the TF2 bit and reloads FFFFH into the timer registers.

The EXF2 bit toggles when timer 2 overflows or underflows changing the direction of the count. When timer 2 operates as an up/down counter, EXF2 does not generate an interrupt. This bit can be used to provide 17-bit resolution.

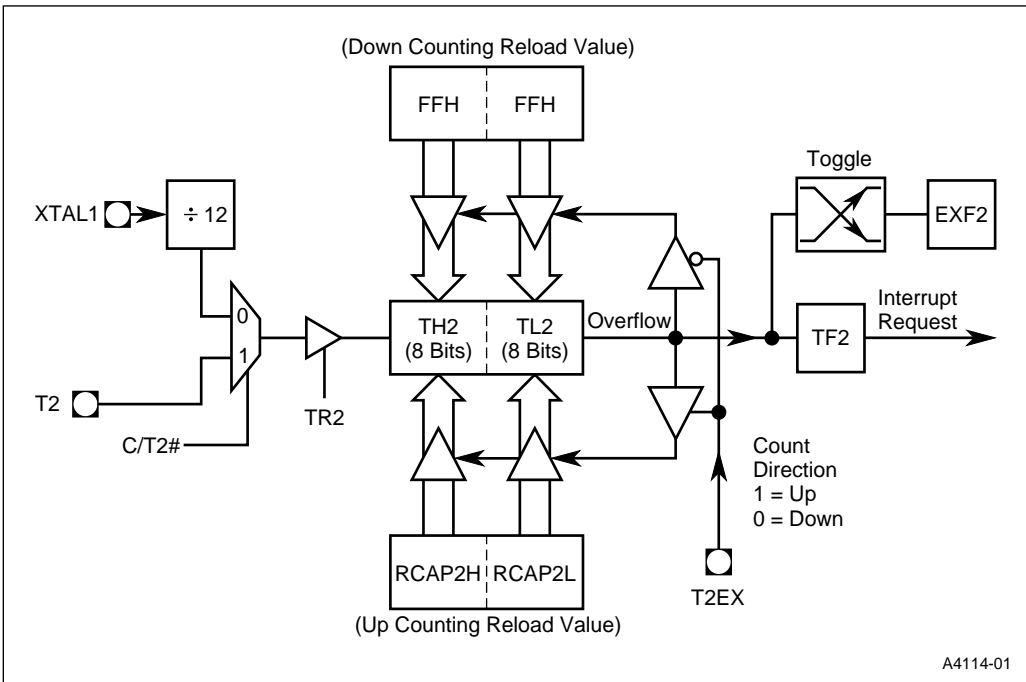


Figure 8-9. Timer 2: Auto Reload Mode (DCEN = 1)

### 8.6.3 Baud Rate Generator Mode

This mode configures timer 2 as a baud rate generator for use with the serial port. Select this mode by setting the RCLK and/or TCLK bits in T2CON. See Table 8-3. For details regarding this mode of operation, refer to section 10.6, “Baud Rates.”

### 8.6.4 Clock-out Mode

In the clock-out mode, timer 2 functions as a 50%-duty-cycle, variable-frequency clock (Figure 8-10). The input clock increments TL0 at frequency  $F_{OSC}/2$ . The timer repeatedly counts to overflow from a preloaded value. At overflow, the contents of the RCAP2H and RCAP2L registers are loaded into TH2/TL2. In this mode, timer 2 overflows do not generate interrupts. The formula gives the clock-out frequency as a function of the system oscillator frequency and the value in the RCAP2H and RCAP2L registers:

$$\text{Clock-out Frequency} = \frac{F_{OSC}}{4 \times (65536 - \text{RCAP2H}, \text{RCAP2L})}$$

For a 16 MHz system clock, timer 2 has a programmable frequency range of 61 Hz to 4 MHz. The generated clock signal is brought out to the T2 pin.

Timer 2 is programmed for the clock-out mode as follows:

1. Set the T2OE bit in T2MOD. This gates the timer register overflow to the  $\div 2$  counter.
2. Clear the C/T2# bit in T2CON to select  $F_{OSC}/2$  as the timer input signal. This also gates the output of the  $\div 2$  counter to pin T2.
3. Determine the 16-bit reload value from the formula and enter in the RCAP2H/RCAP2L registers.
4. Enter a 16-bit initial value in timer register TH2/TL2. This can be the same as the reload value, or different, depending on the application.
5. To start the timer, set the TR2 run control bit in T2CON.

Operation is similar to timer 2 operation as a baud rate generator. It is possible to use timer 2 as a baud rate generator and a clock generator simultaneously. For this configuration, the baud rates and clock frequencies are not independent since both functions use the values in the RCAP2H and RCAP2L registers.

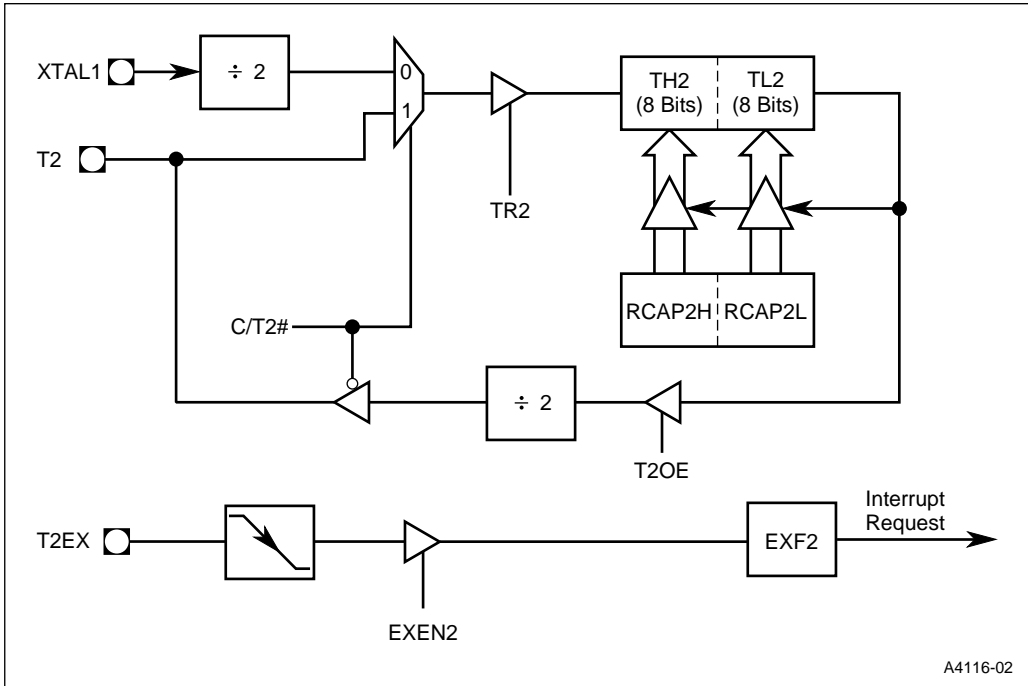
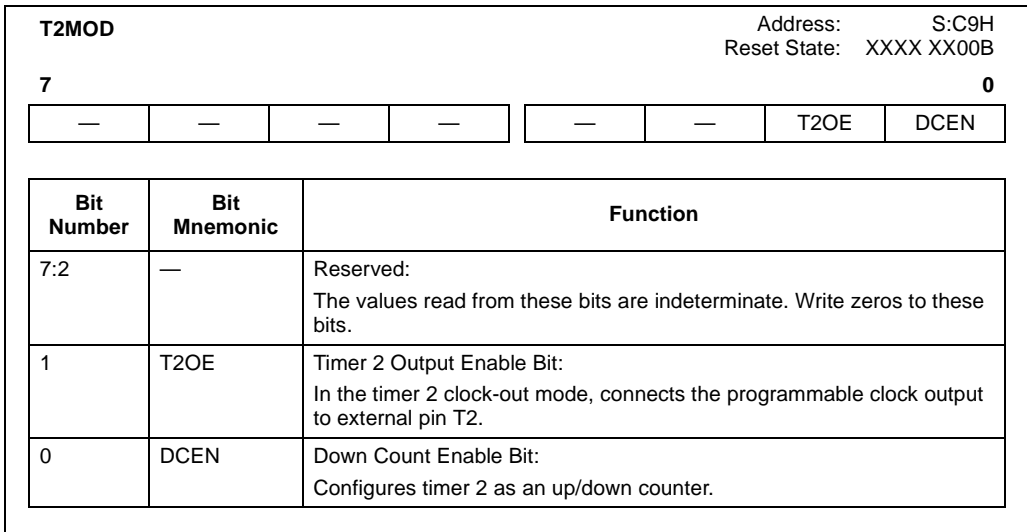


Figure 8-10. Timer 2: Clock Out Mode

Table 8-3. Timer 2 Modes of Operation

Mode	RCLK OR TCLK (in T2CON)	CP/RL2# (in T2CON)	T2OE (in T2MOD)
Auto-reload Mode	0	0	0
Capture Mode	0	1	0
Baud Rate Generator Mode	1	X	X
Programmable Clock-Out	X	0	1



**Figure 8-11. T2MOD: Timer 2 Mode Control Register**

## 8.7 WATCHDOG TIMER

The peripheral section of the 8XC251S $x$  contains a dedicated, hardware watchdog timer (WDT) that automatically resets the chip if it is allowed to time out. The WDT provides a means of recovering from routines that do not complete successfully due to software malfunctions. The WDT described in this section is not associated with the PCA watchdog timer, which is implemented in software.

### 8.7.1 Description

The WDT is a 14-bit counter that counts peripheral cycles, i.e., the system clock divided by twelve ( $F_{OSC}/12$ ). The WDTRST special function register at address S:A6H provides control access to the WDT. Two operations control the WDT:

- Device reset clears and disables the WDT (see section 11.4, “Reset”).
- Writing a specific two-byte sequence to the WDTRST register clears and enables the WDT.

If it is not cleared, the WDT overflows on count  $3FFFH + 1$ . With  $F_{OSC} = 16$  MHz, a peripheral cycle is 750 ns and the WDT overflows in  $750 \times 16384 = 12.288$  ms. The WDTRST is a write-only register. Attempts to read it return FFH. The WDT itself is not read or write accessible. The WDT does **not** drive the external RESET pin.

<b>T2CON</b>				Address: S:C8H			
				Reset State: 0000 0000B			
<b>7</b>				<b>0</b>			
TF2	EXF2	RCLK	TCLK	EXEN2	TR2	C/T2#	CP/RL2#

Bit Number	Bit Mnemonic	Function
7	TF2	Timer 2 Overflow Flag: Set by timer 2 overflow. Must be cleared by software. TF2 is not set if RCLK = 1 or TCLK = 1.
6	EXF2	Timer 2 External Flag: If EXEN2 = 1, capture or reload caused by a negative transition on T2EX sets EFX2. EXF2 does not cause an interrupt in up/down counter mode (DCEN = 1).
5	RCLK	Receive Clock Bit: Selects timer 2 overflow pulses (RCLK = 1) or timer 1 overflow pulses (RCLK = 0) as the baud rate generator for serial port modes 1 and 3.
4	TCLK	Transmit Clock Bit: Selects timer 2 overflow pulses (TCLK = 1) or timer 1 overflow pulses (TCLK = 0) as the baud rate generator for serial port modes 1 and 3.
3	EXEN2	Timer 2 External Enable Bit: Setting EXEN2 causes a capture or reload to occur as a result of a negative transition on T2EX unless timer 2 is being used as the baud rate generator for the serial port. Clearing EXEN2 causes timer 2 to ignore events at T2EX.
2	TR2	Timer 2 Run Control Bit: Setting this bit starts the timer.
1	C/T2#	Timer 2 Counter/Timer Select: C/T2# = 0 selects timer operation: timer 2 counts the divided-down system clock. C/T2# = 1 selects counter operation: timer 2 counts negative transitions on external pin T2.
0	CP/RL2#	Capture/Reload Bit: When set, captures occur on negative transitions at T2EX if EXEN2 = 1. When cleared, auto-reloads occur on timer 2 overflows or negative transitions at T2EX if EXEN2 = 1. The CP/RL2# bit is ignored and timer 2 forced to auto-reload on timer 2 overflow, if RCLK = 1 or TCLK = 1.

**Figure 8-12. T2CON: Timer 2 Control Register**

## 8.7.2 Using the WDT

To use the WDT to recover from software malfunctions, the user program should control the WDT as follows:

1. Following device reset, write the two-byte sequence 1EH-E1H to the WDTRST register to enable the WDT. The WDT begins counting from 0.
2. Repeatedly for the duration of program execution, write the two-byte sequence 1EH-E1H to the WDTRST register to clear and enable the WDT before it overflows. The WDT starts over at 0.

If the WDT overflows, it initiates a device reset (see section 11.4, “Reset”). Device reset clears the WDT and disables it.

## 8.7.3 WDT During Idle Mode

Operation of the WDT during the power reduction modes deserves special attention. The WDT continues to count while the microcontroller is in idle mode. This means the user must service the WDT during idle. One approach is to use a peripheral timer to generate an interrupt request when the timer overflows. The interrupt service routine then clears the WDT, reloads the peripheral timer for the next service period, and puts the microcontroller back into idle.

## 8.7.4 WDT During PowerDown

The powerdown mode stops all phase clocks. This causes the WDT to stop counting and to hold its count. The WDT resumes counting from where it left off if the powerdown mode is terminated by INT0/INT1. To ensure that the WDT does not overflow shortly after exiting the powerdown mode, clear the WDT just before entering powerdown. The WDT is cleared and disabled if the powerdown mode is terminated by a reset.





9

# Programmable Counter Array





# CHAPTER 9

## PROGRAMMABLE COUNTER ARRAY

This chapter describes the programmable counter array (PCA), an on-chip peripheral of the 8XC251Sx that performs a variety of timing and counting operations, including pulse width modulation (PWM). The PCA provides the capability for a software watchdog timer (WDT).

### 9.1 PCA DESCRIPTION

The programmable counter array (PCA) consists of a 16-bit timer/counter and five 16-bit compare/capture modules. The timer/counter serves as a common time base and event counter for the compare/capture modules, distributing the current count to the modules by means of a 16-bit bus. A special function register (SFR) pair, CH/CL, maintains the count in the timer/counter, while five SFR pairs, CCAPxH/CCAPxL, store values for the modules (see Figure 9-1). Additional SFRs provide control and mode select functions as follows:

- The PCA timer/counter mode register (CMOD) and the PCA timer/counter control register (CCON) control the operation of the timer/counter. See Figure 9-7 on page 9-13 and Figure 9-8 on page 9-14.
- Five PCA module mode registers (CCAPMx) specify the operating modes of the compare/capture modules. See Figure 9-9.

For a list of SFRs associated with the PCA, see Table 9-1. For an address map of all SFRs, see Table 3-5 on page 3-17. Port 1 provides external I/O for the PCA on a shared basis with other functions. Table 9-2 identifies the port pins associated with the timer/counter and compare/capture modules. When not used for PCA I/O, these pins can be used for standard I/O functions.

The operating modes of the five compare/capture modules determine the functions performed by the PCA. Each module can be independently programmed to provide input capture, output compare, or pulse width modulation. Module 4 only also has a watchdog-timer mode.

The PCA timer/counter and the five compare/capture modules share a single interrupt vector. The EC bit in the IE special function register is a global interrupt enable for the PCA. Capture events, compare events in some modes, and PCA timer/counter overflow all set flags in the CCON register. Setting the overflow flag (CF) generates a PCA interrupt request if the PCA timer/counter interrupt enable bit (ECF) in the CMOD register is set (Figure 9-1). Setting a compare/capture flag (CCF<sub>x</sub>) generates a PCA interrupt request if the ECCF<sub>x</sub> interrupt enable bit in the corresponding CCAPM<sub>x</sub> register is set (Figures 9-2 and 9-3). For a description of the 8XC251Sx interrupt system see Chapter 6, “Interrupt System.”

### 9.1.1 Alternate Port Usage

PCA modules 3 and 4 share port pins with the real-time wait state and address functions as follows:

- PCA module 3 — P1.6/CEX3/WAIT#
- PCA module 4 — P1.7/CEX4/A17/WCLK

When the real-time wait state functions are enabled (using the WCON register), the corresponding PCA modules are automatically disabled. Configuring the 8XC251Sx to use address line A17 (specified by UCONFIG0, bits RD1:0) overrides the PCA module 3 and WCLK functions. When a real-time wait state function is enabled, do not use the corresponding PCA module.

#### NOTE

It is not advisable to alternate between PCA operations and real-time wait state operations at port 1.6 (CEX3/WAIT#) or port 1.7 (CEX4/WCLK). See section 13.5, “External Bus Cycles with Real-time Wait States.”

## 9.2 PCA TIMER/COUNTER

Figure 9-1 depicts the basic logic of the timer/counter portion of the PCA. The CH/CL special function register pair operates as a 16-bit timer/counter. The selected input increments the CL (low byte) register. When CL overflows, the CH (high byte) register increments after two oscillator periods; when CH overflows it sets the PCA overflow flag (CF in the CCON register) generating a PCA interrupt request if the ECF bit in the CMOD register is set.

The CPS1 and CPS0 bits in the CMOD register select one of four signals as the input to the timer/counter (Figure 9-7).

- $F_{OSC}/12$ . Provides a clock pulse at S5P2 of every peripheral cycle. With  $F_{OSC} = 16$  MHz, the time/counter increments every 750 nanoseconds.
- $F_{OSC}/4$ . Provides clock pulses at S1P2, S3P2, and S5P2 of every peripheral cycle. With  $F_{OSC} = 16$  MHz, the time/counter increments every 250 nanoseconds.
- Timer 0 overflow. The CL register is incremented at S5P2 of the peripheral cycle when timer 0 overflows. This selection provides the PCA with a programmable frequency input.
- External signal on P1.2/ECI. The CPU samples the ECI pin at S1P2, S3P2, and S5P2 of every peripheral cycle. The first clock pulse (S1P2, S3P2, or S5P2) that occurs following a high-to-low transition at the ECI pin increments the CL register. The maximum input frequency for this input selection is  $F_{OSC}/8$ .

For a description of peripheral cycle timing, see section 2.2.2, “Clock and Reset Unit.”

Setting the run control bit (CR in the CCON register) turns the PCA timer/counter on, if the output of the NAND gate (Figure 9-1) equals logic 1. The PCA timer/counter continues to operate during idle mode unless the CIDL bit of the CMOD register is set. The CPU can read the contents of the CH and CL registers at any time. However, writing to them is inhibited while they are counting (i.e., when the CR bit is set).

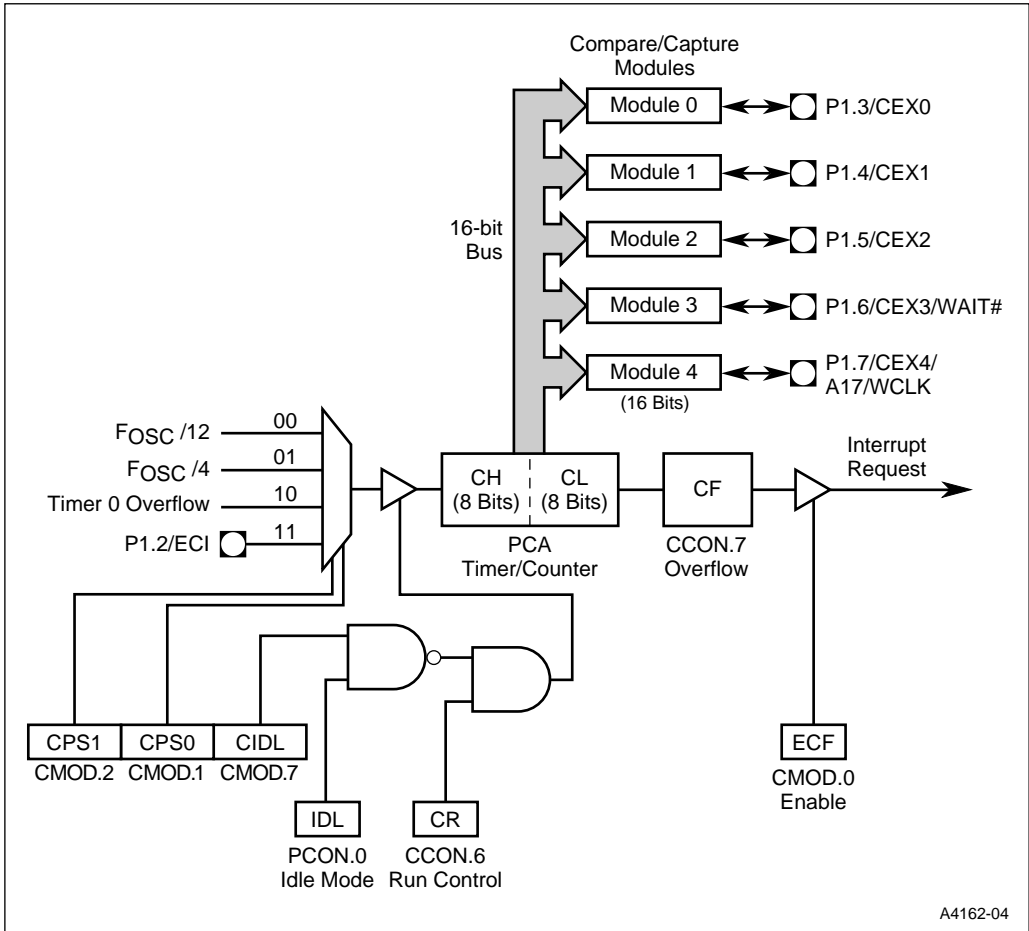


Figure 9-1. Programmable Counter Array

Table 9-1. PCA Special Function Registers (SFRs)

Mnemonic	Description	Address
CL CH	<b>PCA Timer/Counter.</b> These registers serve as a common 16-bit timer or event counter for the five compare/capture modules. Counts $F_{OSC}/12$ , $F_{OSC}/4$ , timer 0 overflow, or the external signal on P1.2/ECl, as selected by CMOD. In PWM mode CL operates as an 8-bit timer.	S:E9H S:F9H
CCON	<b>PCA Timer/Counter Control Register.</b> Contains the run control bit and the overflow flag for the PCA timer/counter, and interrupt flags for the five compare/capture modules.	S:D8H
CMOD	<b>PCA Timer/Counter Mode Register.</b> Contains bits for disabling the PCA timer/counter during idle mode, enabling the PCA watchdog timer (module 4), selecting the timer/counter input, and enabling the PCA timer/counter overflow interrupt.	S:D9H
CCAP0H CCAP0L	<b>PCA Module 0 Compare/Capture Registers.</b> This register pair stores the comparison value or the captured value. In the PWM mode, the low-byte register controls the duty cycle of the output waveform.	S:FAH S:EAH
CCAP1H CCAP1L	<b>PCA Module 1 Compare/Capture Registers.</b> This register pair stores the comparison value or the captured value. In the PWM mode, the low-byte register controls the duty cycle of the output waveform.	S:FBH S:EBH
CCAP2H CCAP2L	<b>PCA Module 2 Compare/Capture Registers.</b> This register pair stores the comparison value or the captured value. In the PWM mode, the low-byte register controls the duty cycle of the output waveform.	S:FCH S:ECH
CCAP3H CCAP3L	<b>PCA Module 3 Compare/Capture Registers.</b> This register pair stores the comparison value or the captured value. In the PWM mode, the low-byte register controls the duty cycle of the output waveform.	S:FDH S:EDH
CCAP4H CCAP4L	<b>PCA Module 4 Compare/Capture Registers.</b> This register pair stores the comparison value or the captured value. In the PWM mode, the low-byte register controls the duty cycle of the output waveform.	S:FEH S:EEH
CCAPM0 CCAPM1 CCAPM2 CCAPM3 CCAPM4	<b>PCA Compare/Capture Module Mode Registers.</b> Contain bits for selecting the operating mode of the compare/capture modules and enabling the compare/capture flag. See Table 9-3 on page 9-14 for mode select bit combinations.	S:DAH S:DBH S:DCH S:DDH S:DEH

Table 9-2. External Signals

Signal Name	Type	Description	Alternate Function
ECl	I	<b>PCA Timer/counter External Input.</b> This signal is the external clock input for the PCA timer/counter.	P1.2
CEX0 CEX1 CEX2 CEX3 CEX4	I/O	<b>Compare/Capture Module External I/O.</b> Each compare/capture module connects to a Port 1 pin for external I/O. When not used by the PCA, these pins can handle standard I/O.	P1.3 P1.4 P1.5 P1.6/WAIT# P1.7/A17/WCLK

## 9.3 PCA COMPARE/CAPTURE MODULES

Each compare/capture module is made up of a compare/capture register pair (CCAPxH/CCAPxL), a 16-bit comparator, and various logic gates and signal transition selectors. The registers store the time or count at which an external event occurred (capture) or at which an action should occur (comparison). In the PWM mode, the low-byte register controls the duty cycle of the output waveform.

The logical configuration of a compare/capture module depends on its mode of operation (Figures 9-2 through 9-5). Each module can be independently programmed for operation in any of the following modes:

- 16-bit capture mode with triggering on the positive edge, negative edge, or either edge.
- Compare modes: 16-bit software timer, 16-bit high-speed output, 16-bit WDT (module 4 only), or 8-bit pulse width modulation.
- No operation.

Bit combinations programmed into a compare/capture module's mode register (CCAPMx) determine the operating mode. Figure 9-9 provides bit definitions and Table 9-3 lists the bit combinations of the available modes. Other bit combinations are invalid and produce undefined results.

The compare/capture modules perform their programmed functions when their common time base, the PCA timer/counter, runs. The timer/counter is turned on and off with the CR bit in the CCON register. To disable any given module, program it for the no operation mode. The occurrence of a capture, software timer, or high-speed output event in a compare/capture module sets the module's compare/capture flag (CCF<sub>x</sub>) in the CCON register and generates a PCA interrupt request if the corresponding enable bit in the CCAPM<sub>x</sub> register is set.

The CPU can read or write the CCAPxH and CCAPxL registers at any time.

### 9.3.1 16-bit Capture Mode

The capture mode (Figure 9-2) provides the PCA with the ability to measure periods, pulse widths, duty cycles, and phase differences at up to five separate inputs. External I/O pins CEX0 through CEX4 are sampled for signal transitions (positive and/or negative as specified). When a compare/capture module programmed for the capture mode detects the specified transition, it captures the PCA timer/counter value. This records the time at which an external event is detected, with a resolution equal to the timer/counter clock period.

To program a compare/capture module for the 16-bit capture mode, program the CAPP<sub>x</sub> and CAPN<sub>x</sub> bits in the module's CCAPM<sub>x</sub> register as follows:

- To trigger the capture on a positive transition, set CAPP<sub>x</sub> and clear CAPN<sub>x</sub>.
- To trigger the capture on a negative transition, set CAPN<sub>x</sub> and clear CAPP<sub>x</sub>.
- To trigger the capture on a positive or negative transition, set both CAPP<sub>x</sub> and CAPN<sub>x</sub>.

Table 9-3 on page 9-14 lists the bit combinations for selecting module modes. For modules in the capture mode, detection of a valid signal transition at the I/O pin (CEX<sub>x</sub>) causes hardware to load the current PCA timer/counter value into the compare/capture registers (CCAP<sub>x</sub>H/CCAP<sub>x</sub>L) and to set the module's compare/capture flag (CCF<sub>x</sub>) in the CCON register. If the corresponding interrupt enable bit (ECCF<sub>x</sub>) in the CCAPM<sub>x</sub> register is set (Figure 9-9), the PCA sends an interrupt request to the interrupt handler.

Since hardware does not clear the event flag when the interrupt is processed, the user must clear the flag in software. A subsequent capture by the same module overwrites the existing captured value. To preserve a captured value, save it in RAM with the interrupt service routine before the next capture event occurs.

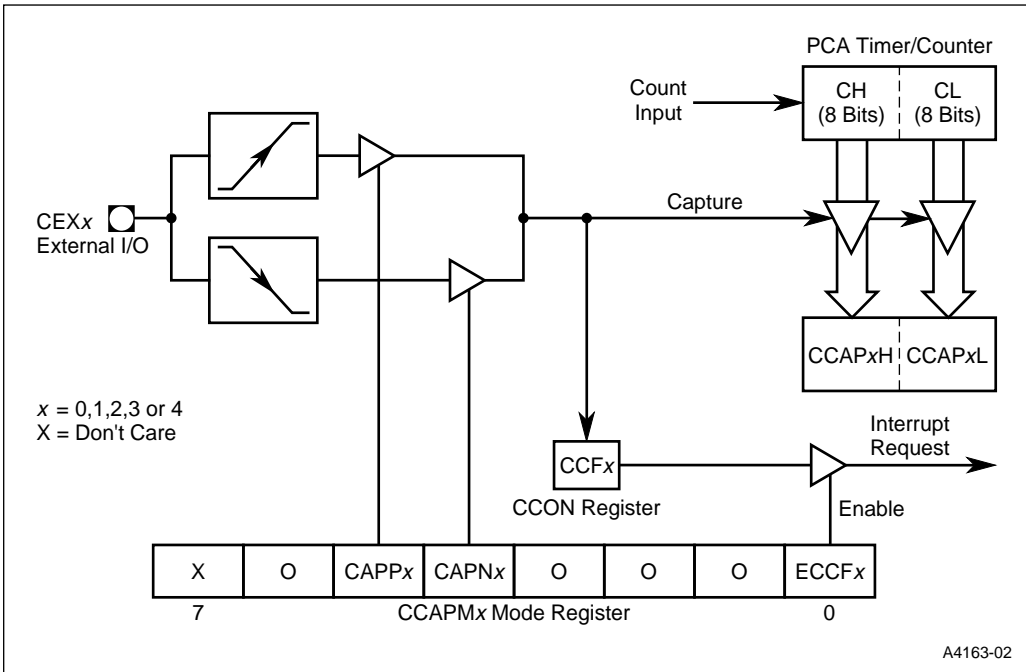


Figure 9-2. PCA 16-bit Capture Mode



### 9.3.2 Compare Modes

The compare function provides the capability for operating the five modules as timers, event counters, or pulse width modulators. Four modes employ the compare function: 16-bit software timer mode, high-speed output mode, WDT mode, and PWM mode. In the first three of these, the compare/capture module continuously compares the 16-bit PCA timer/counter value with the 16-bit value pre-loaded into the module's CCAPxH/CCAPxL register pair. In the PWM mode, the module continuously compares the value in the low-byte PCA timer/counter register (CL) with an 8-bit value in the CCAPxL module register. Comparisons are made three times per peripheral cycle to match the fastest PCA timer/counter clocking rate ( $F_{OSC}/4$ ). For a description of peripheral cycle timing, see section 2.2.2, "Clock and Reset Unit."

Setting the ECOMx bit in a module's mode register (CCAPMx) selects the compare function for that module (Figure 9-9 on page 9-15). To use the modules in the compare modes, observe the following general procedure:

1. Select the module's mode of operation.
2. Select the input signal for the PCA timer/counter.
3. Load the comparison value into the module's compare/capture register pair.
4. Set the PCA timer/counter run control bit.
5. After a match causes an interrupt, clear the module's compare/capture flag.

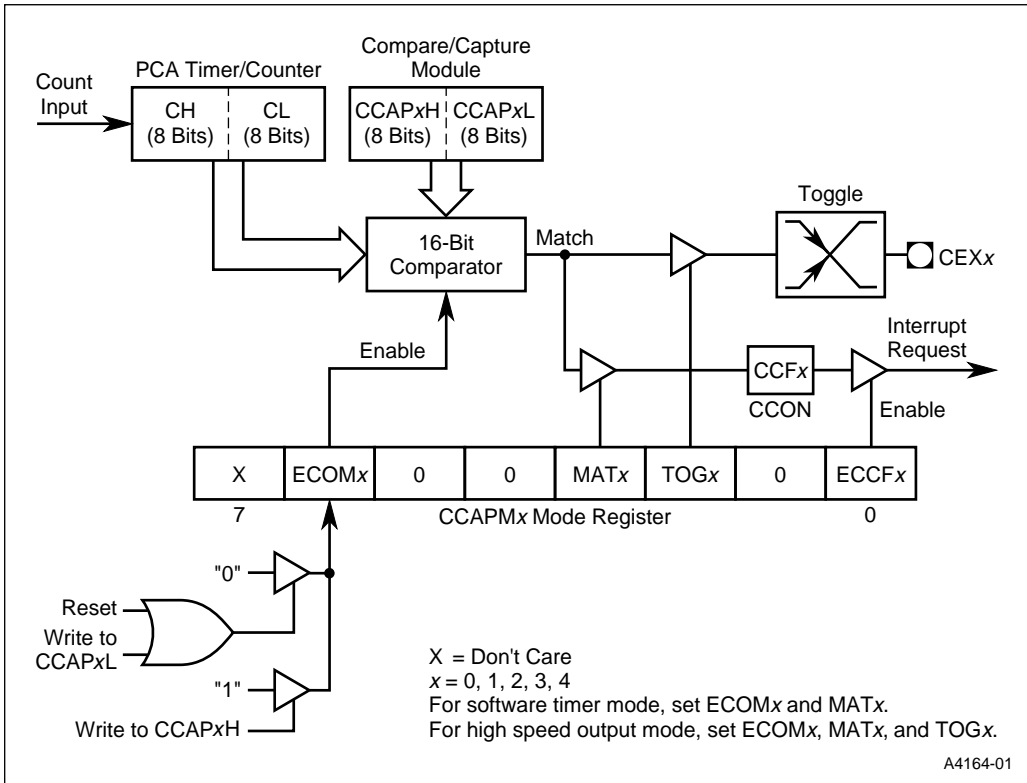
### 9.3.3 16-bit Software Timer Mode

To program a compare/capture module for the 16-bit software timer mode (Figure 9-3), set the ECOMx and MATx bits in the module's CCAPMx register. Table 9-3 lists the bit combinations for selecting module modes.

A match between the PCA timer/counter and the compare/capture registers (CCAPxH/CCAPxL) sets the module's compare/capture flag (CCFx in the CCON register). This generates an interrupt request if the corresponding interrupt enable bit (ECCFx in the CCAPMx register) is set. Since hardware does not clear the compare/capture flag when the interrupt is processed, the user must clear the flag in software. During the interrupt routine, a new 16-bit compare value can be written to the compare/capture registers (CCAPxH/CCAPxL).

#### NOTE

To prevent an invalid match while updating these registers, user software should write to CCAPxL first, then CCAPxH. A write to CCAPxL clears the ECOMx bit disabling the compare function, while a write to CCAPxH sets the ECOMx bit re-enabling the compare function.



**Figure 9-3. PCA Software Timer and High-speed Output Modes**

### 9.3.4 High-speed Output Mode

The high-speed output mode (Figure 9-3) generates an output signal by toggling the module’s I/O pin (CEX<sub>x</sub>) when a match occurs. This provides greater accuracy than toggling pins in software because the toggle occurs *before* the interrupt request is serviced. Thus, interrupt response time does not affect the accuracy of the output.

To program a compare/capture module for the high-speed output mode, set the ECOM<sub>x</sub>, MAT<sub>x</sub>, TOG<sub>x</sub> bits in the module’s CCAPM<sub>x</sub> register. Table 9-3 on page 9-14 lists the bit combinations for selecting module modes. A match between the PCA timer/counter and the compare/capture registers (CCAP<sub>x</sub>H/CCAP<sub>x</sub>L) toggles the CEX<sub>x</sub> pin and sets the module’s compare/capture flag (CCF<sub>x</sub> in the CCON register). By setting or clearing the CEX<sub>x</sub> pin in software, the user selects whether the match toggles the pin from low to high or vice versa.

The user also has the option of generating an interrupt request when the match occurs by setting the corresponding interrupt enable bit (ECCFx in the CCAPMx register). Since hardware does not clear the compare/capture flag when the interrupt is processed, the user must clear the flag in software.

If the user does not change the compare/capture registers in the interrupt routine, the next toggle occurs after the PCA timer/counter rolls over and the count again matches the comparison value. During the interrupt routine, a new 16-bit compare value can be written to the compare/capture registers (CCAPxH/CCAPxL).

#### NOTE

To prevent an invalid match while updating these registers, user software should write to CCAPxL first, then CCAPxH. A write to CCAPxL clears the ECOMx bit disabling the compare function, while a write to CCAPxH sets the ECOMx bit re-enabling the compare function.

### 9.3.5 PCA Watchdog Timer Mode

A watchdog timer (WDT) provides the means to recover from routines that do not complete successfully. A WDT automatically invokes a device reset if it does not regularly receive hold-off signals. WDTs are used in applications that are subject to electrical noise, power glitches, electrostatic discharges, etc., or where high reliability is required.

In addition to the 8XC251Sx's 14-bit hardware WDT, the PCA provides a programmable-frequency 16-bit WDT as a mode option on compare/capture module 4. This mode generates a device reset when the count in the PCA timer/counter matches the value stored in the module 4 compare/capture registers. A PCA WDT reset has the same effect as an external reset. Module 4 is the only PCA module that has the WDT mode. When not programmed as a WDT, it can be used in the other modes.

To program module 4 for the PCA WDT mode (Figure 9-4), set the ECOM4 and MAT4 bits in the CCAPM4 register and the WDTE bit in the CMOD register. Table 9-3 lists the bit combinations for selecting module modes. Also select the desired input for the PCA timer/counter by programming the CPS0 and CPS1 bits in the CMOD register (see Figure 9-7 on page 9-13). Enter a 16-bit comparison value in the compare/capture registers (CCAP4H/CCAP4L). Enter a 16-bit initial value in the PCA timer/counter (CH/CL) or use the reset value (0000H). The difference between these values multiplied by the PCA input pulse rate determines the running time to "expiration." Set the timer/counter run control bit (CR in the CCON register) to start the PCA WDT.

The PCA WDT generates a reset signal each time a match occurs. To hold off a PCA WDT reset, the user has three options:

- periodically change the comparison value in CCAP4H/CCAP4L so a match never occurs
- periodically change the PCA timer/counter value so a match never occurs
- disable the module 4 reset output signal by clearing the WDTE bit before a match occurs, then later re-enable it

The first two options are more reliable because the WDT is not disabled as in the third option. The second option is not recommended if other PCA modules are in use, since the five modules share a common time base. Thus, in most applications the first option is the best one.

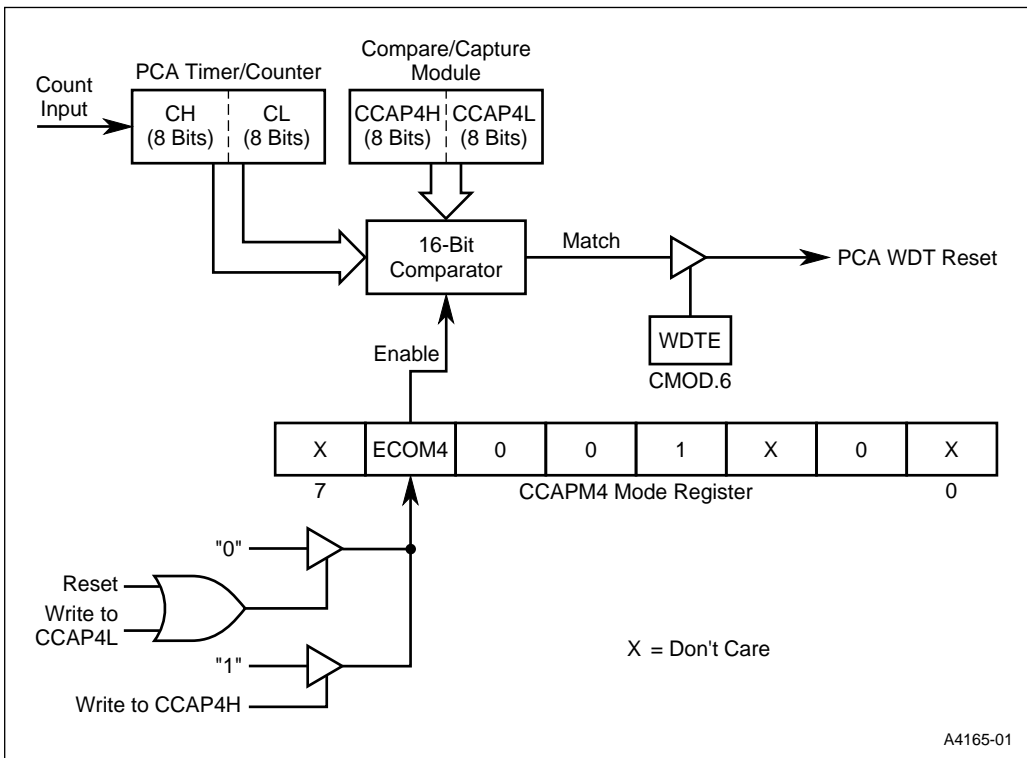


Figure 9-4. PCA Watchdog Timer Mode

9.3.6 Pulse Width Modulation Mode

The five PCA comparator/capture modules can be independently programmed to function as pulse width modulators (Figure 9-5). The modulated output, which has a pulse width resolution of eight bits, is available at the CEX<sub>x</sub> pin. The PWM output can be used to convert digital data to an analog signal with simple external circuitry.

In this mode the value in the low byte of the PCA timer/counter (CL) is continuously compared with the value in the low byte of the compare/capture register (CCAP<sub>x</sub>L). When  $CL < CCAP_{xL}$ , the output waveform (Figure 9-6) is low. When a match occurs ( $CL = CCAP_{xL}$ ), the output waveform goes high and remains high until CL rolls over from FFH to 00H, ending the period. At roll-over the output returns to a low, the value in CCAP<sub>x</sub>H is loaded into CCAP<sub>x</sub>L, and a new period begins.

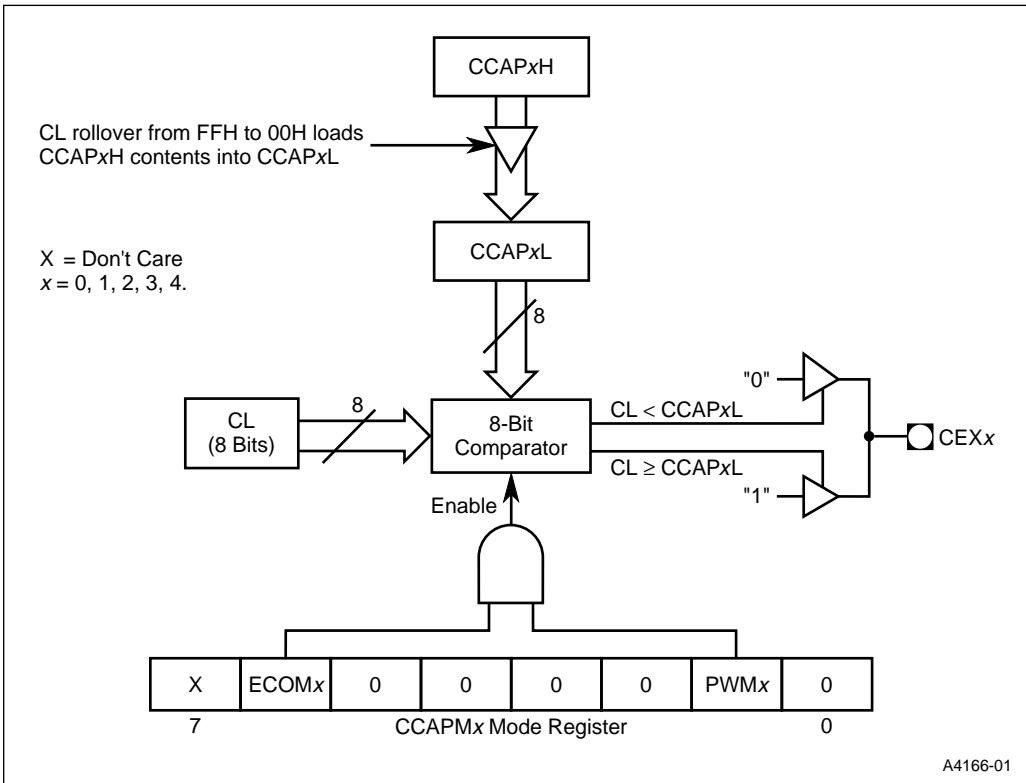


Figure 9-5. PCA 8-bit PWM Mode

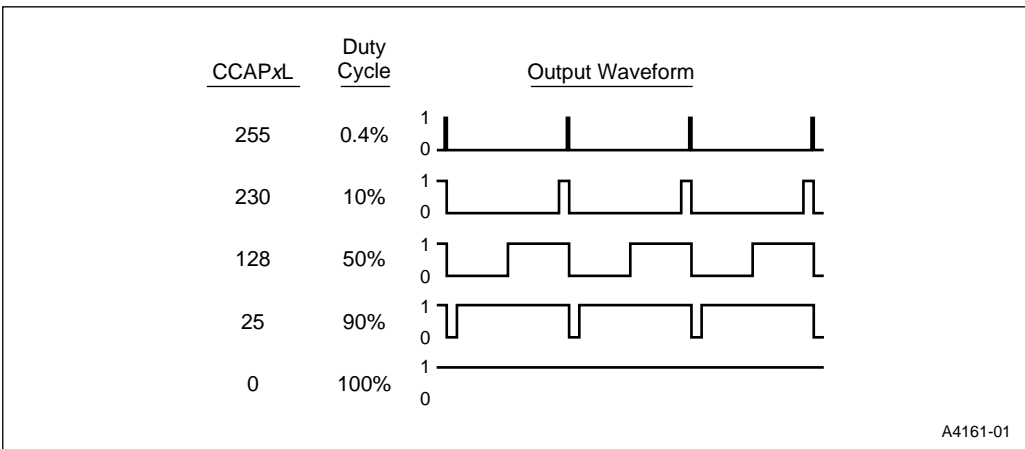
The value in CCAPxL determines the duty cycle of the current period. The value in CCAPxH determines the duty cycle of the following period. Changing the value in CCAPxL over time modulates the pulse width. As depicted in Figure 9-6, the 8-bit value in CCAPxL can vary from 0 (100% duty cycle) to 255 (0.4% duty cycle).

**NOTE**

To change the value in CCAPxL without glitches, write the new value to the high byte register (CCAPxH). This value is shifted by hardware into CCAPxL when CL rolls over from FFH to 00H.

The frequency of the PWM output equals the frequency of the PCA timer/counter input signal divided by 256. The highest frequency occurs when the F<sub>OSC</sub>/4 input is selected for the PCA timer/counter. For F<sub>OSC</sub> = 16 MHz, this is 15.6 KHz.

To program a compare/capture module for the PWM mode, set the ECOMx and PWMx bits in the module's CCAPMx register. Table 9-3 lists the bit combinations for selecting module modes. Also select the desired input for the PCA timer/counter by programming the CPS0 and CPS1 bits in the CMOD register (see Figure 9-7). Enter an 8-bit value in CCAPxL to specify the duty cycle of the first period of the PWM output waveform. Enter an 8-bit value in CCAPxH to specify the duty cycle of the second period. Set the timer/counter run control bit (CR in the CCON register) to start the PCA timer/counter.



**Figure 9-6. PWM Variable Duty Cycle**

<b>CMOD</b>				Address: S:D9H
				Reset State: 00XX X000B
7				0
CIDL	WDTE	—	—	— CPS1 CPS0 ECF

Bit Number	Bit Mnemonic	Function
7	CIDL	PCA Timer/Counter Idle Control: CIDL = 1 disables the PCA timer/counter during idle mode. CIDL = 0 allows the PCA timer/counter to run during idle mode.
6	WDTE	Watchdog Timer Enable: WDTE = 1 enables the watchdog timer output on PCA module 4. WDTE = 0 disables the PCA watchdog timer output.
5:3	—	Reserved: The values read from these bits are indeterminate. Write zeros to these bits.
2:1	CPS1:0	PCA Timer/Counter Input Select: <b>CPS1 CPS0</b> 0 0 $F_{OSC} / 12$ 0 1 $F_{OSC} / 4$ 1 0 Timer 0 overflow 1 1 External clock at ECI pin (maximum rate = $F_{OSC} / 8$ )
0	ECF	PCA Timer/Counter Interrupt Enable: ECF = 1 enables the CF bit in the CCON register to generate an interrupt request.

**Figure 9-7. CMOD: PCA Timer/Counter Mode Register**

<b>CCON</b>				Address: S:D8H
				Reset State: 00X0 0000B
7				0
CF	CR	—	CCF4	CCF3
				CCF2
				CCF1
				CCF0

Bit Number	Bit Mnemonic	Function
7	CF	PCA Timer/Counter Overflow Flag: Set by hardware when the PCA timer/counter rolls over. This generates an interrupt request if the ECF interrupt enable bit in CMOD is set. CF can be set by hardware or software but can be cleared only by software.
6	CR	PCA Timer/Counter Run Control Bit: Set and cleared by software to turn the PCA timer/counter on and off.
5	—	Reserved: The value read from this bit is indeterminate. Write a zero to this bit.
4:0	CCF4:0	PCA Module Compare/Capture Flags: Set by hardware when a match or capture occurs. This generates a PCA interrupt request if the ECCFx interrupt enable bit in the corresponding CCAPMx register is set. Must be cleared by software.

**Figure 9-8. CCON: PCA Timer/Counter Control Register**

**Table 9-3. PCA Module Modes**

ECOM <sub>x</sub>	CAPP <sub>x</sub>	CAPN <sub>x</sub>	MAT <sub>x</sub>	TOG <sub>x</sub>	PWM <sub>x</sub>	ECCF <sub>x</sub>	Module Mode
0	0	0	0	0	0	0	No operation
X	1	0	0	0	0	X	16-bit capture on positive-edge trigger at CEX <sub>x</sub>
X	0	1	0	0	0	X	16-bit capture on negative-edge trigger at CEX <sub>x</sub>
X	1	1	0	0	0	X	16-bit capture on positive- or negative-edge trigger at CEX <sub>x</sub>
1	0	0	1	0	0	X	Compare: software timer
1	0	0	1	1	0	X	Compare: high-speed output
1	0	0	0	0	1	0	Compare: 8-bit PWM
1	0	0	1	X	0	X	Compare: PCA WDT (CCAPM4 only) (Note 3)

**NOTES:**

1. This table shows the CCAPM<sub>x</sub> register bit combinations for selecting the operating modes of the PCA compare/capture modules. Other bit combinations are invalid. See Figure 9-9 for bit definitions.
2. x = 0–4, X = Don't care.
3. For PCA WDT mode, also set the WDTE bit in the CMOD register to enable the reset output signal.



<b>CCAPM<math>x</math> (<math>x = 0-4</math>)</b>				Address: CCAPM0 S:DAH CCAPM1 S:DBH CCAPM2 S:DCH CCAPM3 S:DDH CCAPM4 S:DEH  Reset State: X000 0000B			
7				0			
—	ECOM $x$	CAPP $x$	CAPN $x$	MAT $x$	TOG $x$	PWM $x$	ECCF $x$

Bit Number	Bit Mnemonic	Function
7	—	Reserved: The value read from this bit is indeterminate. Write a zero to this bit.
6	ECOM $x$	Compare Modes: ECOM $x$ = 1 enables the module comparator function. The comparator is used to implement the software timer, high-speed output, pulse width modulation, and watchdog timer modes.
5	CAPP $x$	Capture Mode (Positive): CAPP $x$ = 1 enables the capture function with capture triggered by a positive edge on pin CEX $x$ .
4	CAPN $x$	Capture Mode (Negative): CAPN $x$ = 1 enables the capture function with capture triggered by a negative edge on pin CEX $x$ .
3	MAT $x$	Match: Set ECOM $x$ and MAT $x$ to implement the software timer mode. When MAT $x$ = 1, a match of the PCA timer/counter with the compare/capture register sets the CCF $x$ bit in the CCON register, flagging an interrupt.
2	TOG $x$	Toggle: Set ECOM $x$ , MAT $x$ , and TOG $x$ to implement the high-speed output mode. When TOG $x$ = 1, a match of the PCA timer/counter with the compare/capture register toggles the CEX $x$ pin.
1	PWM $x$	Pulse Width Modulation Mode: PWM $x$ = 1 configures the module for operation as an 8-bit pulse width modulator with output waveform on the CEX $x$ pin.
0	ECCF $x$	Enable CCF $x$ Interrupt: Enables compare/capture flag CCF $x$ in the CCON register to generate an interrupt request.

**Figure 9-9. CCAPM $x$ : PCA Compare/Capture Module Mode Registers**





# 10

## Serial I/O Port





# CHAPTER 10

## SERIAL I/O PORT

The serial input/output port supports communication with modems and other external peripheral devices. This chapter provides instructions for programming the serial port and generating the serial I/O baud rates with timer 1 and timer 2.

### 10.1 OVERVIEW

The serial I/O port provides both synchronous and asynchronous communication modes. It operates as a universal asynchronous receiver and transmitter (UART) in three full-duplex modes (modes 1, 2, and 3). Asynchronous transmission and reception can occur simultaneously and at different baud rates. The UART supports framing-bit error detection, multiprocessor communication, and automatic address recognition. The serial port also operates in a single synchronous mode (mode 0).

The synchronous mode (mode 0) operates at a single baud rate. Mode 2 operates at two baud rates. Modes 1 and 3 operate over a wide range of baud rates, which are generated by timer 1 and timer 2. Baud rates are detailed in section 10.6, “Baud Rates.”

The serial port signals are defined in Table 10-1, and the serial port special function registers are described in Table 10-2. Figure 10-1 is a block diagram of the serial port.

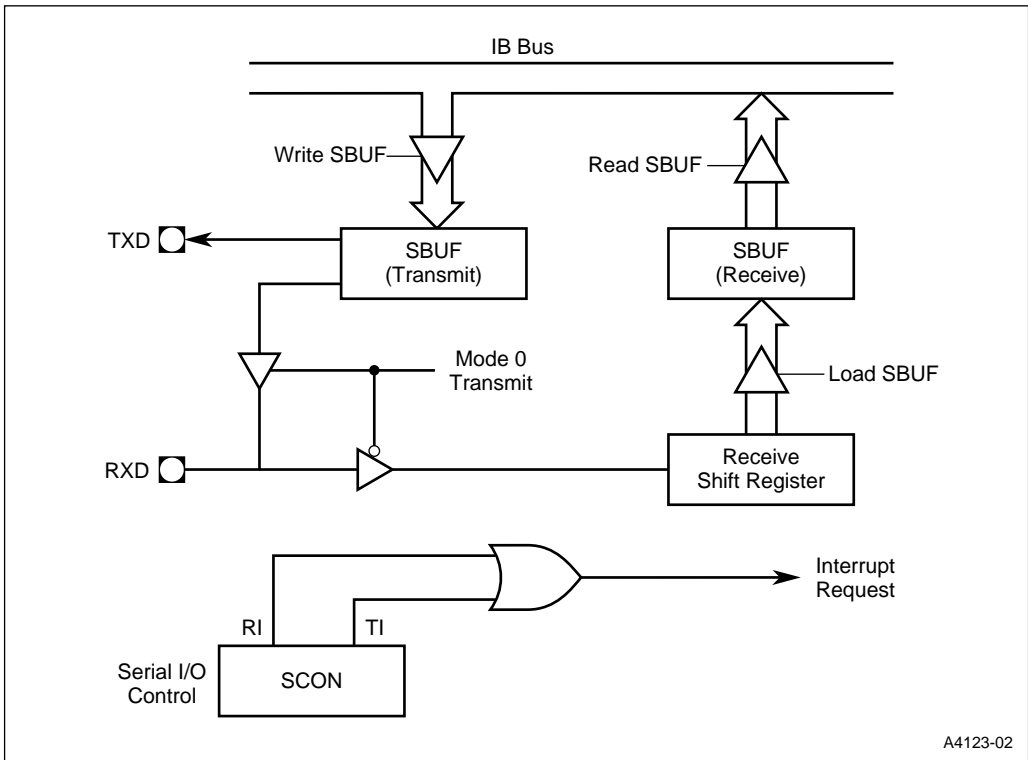
For the three asynchronous modes, the UART transmits on the TXD pin and receives on the RXD pin. For the synchronous mode (mode 0), the UART outputs a clock signal on the TXD pin and sends and receives messages on the RXD pin (Figure 10-1). The SBUF register, which holds received bytes and bytes to be transmitted, actually consists of two physically different registers. To send, software writes a byte to SBUF; to receive, software reads SBUF. The receive shift register allows reception of a second byte before the first byte has been read from SBUF. However, if software has not read the first byte by the time the second byte is received, the second byte will overwrite the first. The UART sets interrupt bits TI and RI on transmission and reception, respectively. These two bits share a single interrupt request and interrupt vector.

**Table 10-1. Serial Port Signals**

Function Name	Type	Description	Multiplexed With
TXD	O	<b>Transmit Data.</b> In mode 0, TXD transmits the clock signal. In modes 1, 2, and 3, TXD transmits serial data.	P3.1
RXD	I/O	<b>Receive Data.</b> In mode 0, RXD transmits and receives serial data. In modes 1, 2, and 3, RXD receives serial data.	P3.0

**Table 10-2. Serial Port Special Function Registers**

Mnemonic	Description	Address
SBUF	<b>Serial Buffer.</b> Two separate registers comprise the SBUF register. Writing to SBUF loads the transmit buffer; reading SBUF accesses the receive buffer.	99H
SCON	<b>Serial Port Control.</b> Selects the serial port operating mode. SCON enables and disables the receiver, framing bit error detection, multiprocessor communication, automatic address recognition, and the serial port interrupt bits.	98H
SADDR	<b>Serial Address.</b> Defines the individual address for a slave device.	A8H
SADEN	<b>Serial Address Enable.</b> Specifies the mask byte that is used to define the given address for a slave device.	B8H



**Figure 10-1. Serial Port Block Diagram**

The serial port control (SCON) register (Figure 10-2) configures and controls the serial port.

<b>SCON</b>				Address: 98H			
				Reset State: 0000 0000B			
7				0			
FE/SM0	SM1	SM2	REN	TB8	RB8	TI	RI

Bit Number	Bit Mnemonic	Function																									
7	FE  SM0	<p><b>Framing Error Bit:</b> To select this function, set the SMOD0 bit in the PCON register. Set by hardware to indicate an invalid stop bit. Cleared by software, not by valid frames.</p> <p><b>Serial Port Mode Bit 0:</b> To select this function, clear the SMOD0 bit in the PCON register. Software writes to bits SM0 and SM1 to select the serial port operating mode. Refer to the SM1 bit for the mode selections.</p>																									
6	SM1	<p><b>Serial Port Mode Bit 1:</b> Software writes to bits SM1 and SM0 (above) to select the serial port operating mode.</p> <table border="1" style="width: 100%; border-collapse: collapse; margin-top: 10px;"> <thead> <tr> <th>SM0</th> <th>SM1</th> <th>Mode</th> <th>Description</th> <th>Baud Rate</th> </tr> </thead> <tbody> <tr> <td>0</td> <td>0</td> <td>0</td> <td>Shift register</td> <td><math>F_{osc}/12</math></td> </tr> <tr> <td>0</td> <td>1</td> <td>1</td> <td>8-bit UART</td> <td>Variable</td> </tr> <tr> <td>1</td> <td>0</td> <td>2</td> <td>9-bit UART</td> <td><math>F_{osc}/32^{\dagger}</math> or <math>F_{osc}/64^{\dagger}</math></td> </tr> <tr> <td>1</td> <td>1</td> <td>3</td> <td>9-bit UART</td> <td>Variable</td> </tr> </tbody> </table> <p><sup>†</sup>Select by programming the SMOD bit in the PCON register (see section 10.6, "Baud Rates").</p>	SM0	SM1	Mode	Description	Baud Rate	0	0	0	Shift register	$F_{osc}/12$	0	1	1	8-bit UART	Variable	1	0	2	9-bit UART	$F_{osc}/32^{\dagger}$ or $F_{osc}/64^{\dagger}$	1	1	3	9-bit UART	Variable
SM0	SM1	Mode	Description	Baud Rate																							
0	0	0	Shift register	$F_{osc}/12$																							
0	1	1	8-bit UART	Variable																							
1	0	2	9-bit UART	$F_{osc}/32^{\dagger}$ or $F_{osc}/64^{\dagger}$																							
1	1	3	9-bit UART	Variable																							
5	SM2	<p><b>Serial Port Mode Bit 2:</b> Software writes to bit SM2 to enable and disable the multiprocessor communication and automatic address recognition features. This allows the serial port to differentiate between data and command frames and to recognize slave and broadcast addresses.</p>																									
4	REN	<p><b>Receiver Enable Bit:</b> To enable reception, set this bit. To enable transmission, clear this bit.</p>																									
3	TB8	<p><b>Transmit Bit 8:</b> In modes 2 and 3, software writes the ninth data bit to be transmitted to TB8. Not used in modes 0 and 1.</p>																									
2	RB8	<p><b>Receiver Bit 8:</b> Mode 0: Not used. Mode 1 (SM2 clear): Set or cleared by hardware to reflect the stop bit received. Modes 2 and 3 (SM2 set): Set or cleared by hardware to reflect the ninth data bit received.</p>																									

**Figure 10-2. SCON: Serial Port Control Register**

1	TI	Transmit Interrupt Flag Bit: Set by the transmitter after the last data bit is transmitted. Cleared by software.
0	RI	Receive Interrupt Flag Bit: Set by the receiver after the last data bit of a frame has been received. Cleared by software.

**Figure 10-2. SCON: Serial Port Control Register (Continued)**

## 10.2 MODES OF OPERATION

The serial I/O port can operate in one synchronous and three asynchronous modes.

### 10.2.1 Synchronous Mode (Mode 0)

Mode 0 is a half-duplex, synchronous mode, which is commonly used to expand the I/O capabilities of a device with shift registers. The transmit data (TXD) pin outputs a set of eight clock pulses while the receive data (RXD) pin transmits or receives a byte of data. The eight data bits are transmitted and received least-significant bit (LSB) first. Shifts occur in the last phase (S6P2) of every peripheral cycle, which corresponds to a baud rate of  $F_{OSC}/12$ . Figure 10-3 shows the timing for transmission and reception in mode 0.

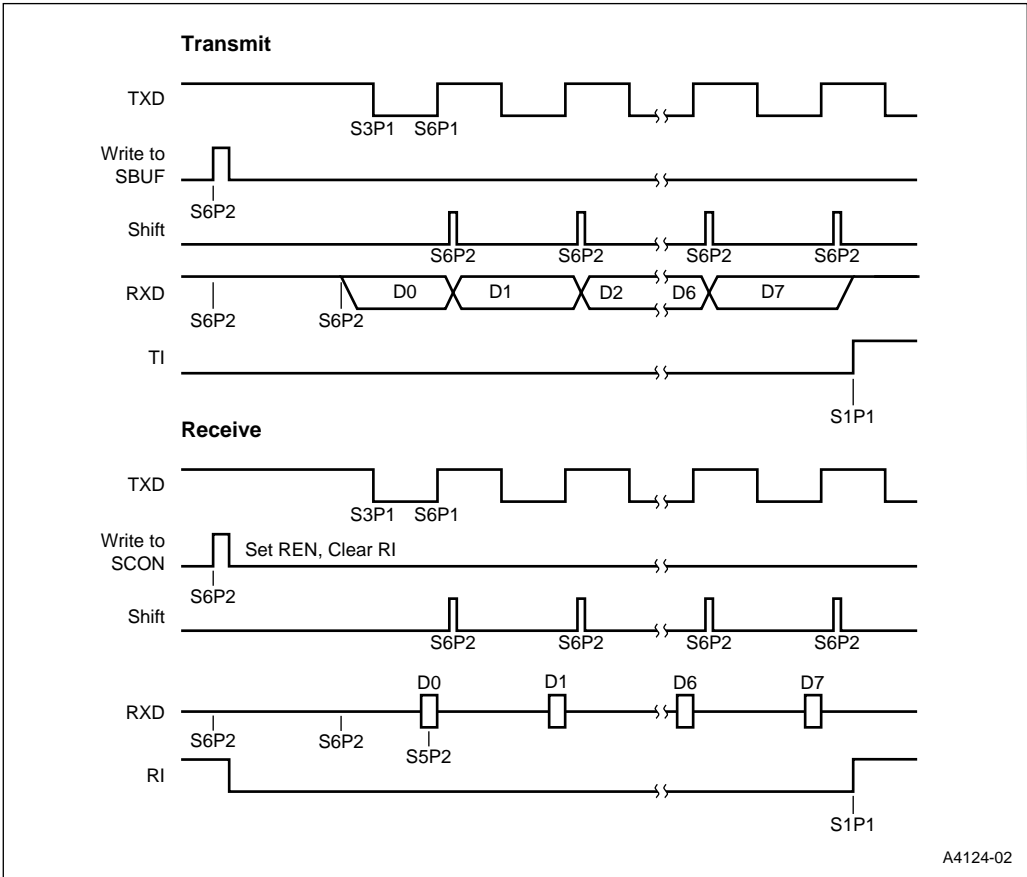
#### 10.2.1.1 Transmission (Mode 0)

Follow these steps to begin a transmission:

1. Write to the SCON register, clearing bits SM0, SM1, and REN.
2. Write the byte to be transmitted to the SBUF register. This write starts the transmission.

Hardware executes the write to SBUF in the last phase (S6P2) of a peripheral cycle. At S6P2 of the following cycle, hardware shifts the LSB (D0) onto the RXD pin. At S3P1 of the next cycle, the TXD pin goes low for the first clock-signal pulse. Shifts continue every peripheral cycle. In the ninth cycle after the write to SBUF, the MSB (D7) is on the RXD pin. At the beginning of the tenth cycle, hardware drives the RXD pin high and asserts TI (S1P1) to indicate the end of the transmission.





A4124-02

**Figure 10-3. Mode 0 Timing**

**10.2.1.2 Reception (Mode 0)**

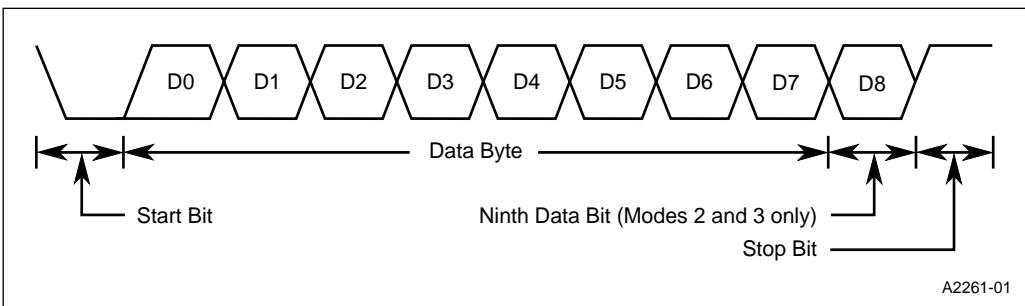
To start a reception in mode 0, write to the SCON register. Clear bits SM0, SM1, and RI and set the REN bit.

Hardware executes the write to SCON in the last phase (S6P2) of a peripheral cycle (Figure 10-3). In the second peripheral cycle following the write to SCON, TXD goes low at S3P1 for the first clock-signal pulse, and the LSB (D0) is sampled on the RXD pin at S5P2. The D0 bit is then shifted into the shift register. After eight shifts at S6P2 of every peripheral cycle, the LSB (D7) is shifted into the shift register, and hardware asserts RI (S1P1) to indicate a completed reception. Software can then read the received byte from SBUF.

## 10.2.2 Asynchronous Modes (Modes 1, 2, and 3)

The serial port has three asynchronous modes of operation.

- **Mode 1.** Mode 1 is a full-duplex, asynchronous mode. The data frame (Figure 10-4) consists of 10 bits: one start bit, eight data bits, and one stop bit. Serial data is transmitted on the TXD pin and received on the RXD pin. When a message is received, the stop bit is read in the RB8 bit in the SCON register. The baud rate is generated by overflow of timer 1 or timer 2 (see section 10.6, “Baud Rates”).
- **Modes 2 and 3.** Modes 2 and 3 are full-duplex, asynchronous modes. The data frame (Figure 10-4) consists of 11 bits: one start bit, eight data bits (transmitted and received LSB first), one programmable ninth data bit, and one stop bit. Serial data is transmitted on the TXD pin and received on the RXD pin. On receive, the ninth bit is read from the RB8 bit in the SCON register. On transmit, the ninth data bit is written to the TB8 bit in the SCON register. Alternatively, you can use the ninth bit as a command/data flag.
  - In mode 2, the baud rate is programmable to 1/32 or 1/64 of the oscillator frequency.
  - In mode 3, the baud rate is generated by overflow of timer 1 or timer 2.



**Figure 10-4. Data Frame (Modes 1, 2, and 3)**

### 10.2.2.1 Transmission (Modes 1, 2, 3)

Follow these steps to initiate a transmission:

1. Write to the SCON register. Select the mode with the SM0 and SM1 bits, and clear the REN bit. For modes 2 and 3, also write the ninth bit to the TB8 bit.
2. Write the byte to be transmitted to the SBUF register. This write starts the transmission.

### 10.2.2.2 Reception (Modes 1, 2, 3)

To prepare for a reception, set the REN bit in the SCON register. The actual reception is then initiated by a detected high-to-low transition on the RXD pin.

### 10.3 FRAMING BIT ERROR DETECTION (MODES 1, 2, AND 3)

Framing bit error detection is provided for the three asynchronous modes. To enable the framing bit error detection feature, set the SMOD0 bit in the PCON register (Figure 12-1 on page 12-2). When this feature is enabled, the receiver checks each incoming data frame for a valid stop bit. An invalid stop bit may result from noise on the serial lines or from simultaneous transmission by two CPUs. If a valid stop bit is not found, the software sets the FE bit in the SCON register (Figure 10-2).

Software may examine the FE bit after each reception to check for data errors. Once set, only software or a reset can clear the FE bit. Subsequently received frames with valid stop bits cannot clear the FE bit.

### 10.4 MULTIPROCESSOR COMMUNICATION (MODES 2 AND 3)

Modes 2 and 3 provide a ninth-bit mode to facilitate multiprocessor communication. To enable this feature, set the SM2 bit in the SCON register (Figure 10-2). When the multiprocessor communication feature is enabled, the serial port can differentiate between data frames (ninth bit clear) and address frames (ninth bit set). This allows the microcontroller to function as a slave processor in an environment where multiple slave processors share a single serial line.

When the multiprocessor communication feature is enabled, the receiver ignores frames with the ninth bit clear. The receiver examines frames with the ninth bit set for an address match. If the received address matches the slave's address, the receiver hardware sets the RB8 bit and the RI bit in the SCON register, generating an interrupt.

#### NOTE

The ES bit must be set in the IE register to allow the RI bit to generate an interrupt. The IE register is described in Chapter 8, Interrupts.

The addressed slave's software then clears the SM2 bit in the SCON register and prepares to receive the data bytes. The other slaves are unaffected by these data bytes because they are waiting to respond to their own addresses.

### 10.5 AUTOMATIC ADDRESS RECOGNITION

The automatic address recognition feature is enabled when the multiprocessor communication feature is enabled (i.e., the SM2 bit is set in the SCON register).

Implemented in hardware, automatic address recognition enhances the multiprocessor communication feature by allowing the serial port to examine the address of each incoming command frame. Only when the serial port recognizes its own address does the receiver set the RI bit in the SCON register to generate an interrupt. This ensures that the CPU is not interrupted by command frames addressed to other devices.

If desired, you may enable the automatic address recognition feature in mode 1. In this configuration, the stop bit takes the place of the ninth data bit. The RI bit is set only when the received command frame address matches the device's address and is terminated by a valid stop bit.

#### NOTE

The multiprocessor communication and automatic address recognition features cannot be enabled in mode 0 (i.e., setting the SM2 bit in the SCON register in mode 0 has no effect).

To support automatic address recognition, a device is identified by a *given* address and a *broadcast* address.

### 10.5.1 Given Address

Each device has an *individual* address that is specified in the SADDR register; the SADEN register is a mask byte that contains don't-care bits (defined by zeros) to form the device's *given* address. These don't-care bits provide the flexibility to address one or more slaves at a time. The following example illustrates how a given address is formed. Note that to address a device by its individual address, the SADEN mask byte must be 1111 1111.

```
SADDR = 0101 0110
SADEN = 1111 1100
Given  = 0101 01XX
```

The following is an example of how to use given addresses to address different slaves:

Slave A:	SADDR = 1111 0001	Slave C:	SADDR = 1111 0010
	SADEN = 1111 1010		SADEN = 1111 1101
	Given  = 1111 0X0X		Given  = 1111 00X1
Slave B:	SADDR = 1111 0011		
	SADEN = 1111 1001		
	Given  = 1111 0XX1		

The SADEN byte is selected so that each slave may be addressed separately. For Slave A, bit 0 (the LSB) is a don't-care bit; for Slaves B and C, bit 0 is a 1. To communicate with Slave A only, the master must send an address where bit 0 is clear (e.g., 1111 0000).

For Slave A, bit 1 is a 0; for Slaves B and C, bit 1 is a don't-care bit. To communicate with Slaves B and C, but not Slave A, the master must send an address with bits 0 and 1 both set (e.g., 1111 0011).

For Slaves A and B, bit 2 is a don't-care bit; for Slave C, bit 2 is a 0. To communicate with Slaves A and B, but not Slave C, the master must send an address with bit 0 set, bit 1 clear, and bit 2 set (e.g., 1111 0101).

To communicate with Slaves A, B, and C, the master must send an address with bit 0 set, bit 1 clear, and bit 2 clear (e.g., 1111 0001).

### 10.5.2 Broadcast Address

A *broadcast* address is formed from the logical OR of the SADDR and SADEN registers with zeros defined as don't-care bits, e.g.:

```

SADDR           = 0101 0110
SADEN           = 1111 1100
(SADDR) OR (SADEN) = 1111 111X
    
```

The use of don't-care bits provides flexibility in defining the broadcast address, however, in most applications, a broadcast address is 0FFH.

The following is an example of using broadcast addresses:

<p>Slave A:</p> <p>SADDR = 1111 0001</p> <p>SADEN = 1111 1010</p> <p>Broadcast = 1111 1X11</p>	<p>Slave C:</p> <p>SADDR = 1111 0010</p> <p>SADEN = 1111 1101</p> <p>Broadcast = 1111 1111</p>
<p>Slave B:</p> <p>SADDR = 1111 0011</p> <p>SADEN = 1111 1001</p> <p>Broadcast = 1111 1X11</p>	

For Slaves A and B, bit 2 is a don't-care bit; for Slave C, bit 2 is set. To communicate with all of the slaves, the master must send an address FFH.

To communicate with Slaves A and B, but not Slave C, the master can send an address FBH.

### 10.5.3 Reset Addresses

On reset, the SADDR and SADEN registers are initialized to 00H, i.e., the given and broadcast addresses are XXXX XXXX (all don't-care bits). This ensures that the serial port is backwards-compatible with MCS<sup>®</sup> 51 microcontrollers that do not support automatic address recognition.

## 10.6 BAUD RATES

You must select the baud rate for the serial port transmitter and receiver when operating in modes 1, 2, and 3. (The baud rate is preset for mode 0.) In its asynchronous modes, the serial port can transmit and receive simultaneously. Depending on the mode, the transmission and reception rates can be the same or different. Table 10-3 summarizes the baud rates that can be used for the four serial I/O modes.

**Table 10-3. Summary of Baud Rates**

Mode	No. of Baud Rates	Send and Receive at the Same Rate	Send and Receive at Different Rates
0	1	N/A	N/A
1	Many †	Yes	Yes
2	2	Yes	?
3	Many †	Yes	Yes

† Baud rates are determined by overflow of timer 1 and/or timer 2.

### 10.6.1 Baud Rate for Mode 0

The baud rate for mode 0 is fixed at  $F_{OSC}/12$ .

### 10.6.2 Baud Rates for Mode 2

Mode 2 has two baud rates, which are selected by the SMOD1 bit in the PCON register (Figure 12-1 on page 12-2). The following expression defines the baud rate:

$$\text{Serial I/O Mode 2 Baud Rate} = 2^{\text{SMOD1}} \times \frac{F_{OSC}}{64}$$

### 10.6.3 Baud Rates for Modes 1 and 3

In modes 1 and 3, the baud rate is generated by overflow of timer 1 (default) and/or timer 2. You may select either or both timer(s) to generate the baud rate(s) for the transmitter and/or the receiver.

### 10.6.3.1 Timer 1 Generated Baud Rates (Modes 1 and 3)

Timer 1 is the default baud rate generator for the transmitter and the receiver in modes 1 and 3. The baud rate is determined by the timer 1 overflow rate and the value of SMOD, as shown in the following formula:

$$\text{Serial I/O Modes 1 and 3 Baud Rate} = 2^{\text{SMOD}1} \times \frac{\text{Timer 1 Overflow Rate}}{32}$$

### 10.6.3.2 Selecting Timer 1 as the Baud Rate Generator

To select timer 1 as the baud rate generator:

- Disable the timer interrupt by clearing the ETI bit in the IE0 register (Figure 6-2 on page 6-6).
- Configure timer 1 as a timer or an event counter (set or clear the C/T# bit in the TMOD register, Figure 8-5 on page 8-7).
- Select timer mode 0–3 by programming the M1, M0 bits in the TMOD register.

In most applications, timer 1 is configured as a timer in auto-reload mode (high nibble of TMOD = 0010B). The resulting baud rate is defined by the following expression:

$$\text{Serial I/O Modes 1 and 3 Baud Rate} = 2^{\text{SMOD}1} \times \frac{F_{\text{OSC}}}{32 \times 12 \times [256 - (\text{TH}1)]}$$

Timer 1 can generate very low baud rates with the following setup:

- Enable the timer 1 interrupt by setting the ET1 bit in the IE register.
- Configure timer 1 to run as a 16-bit timer (high nibble of TMOD = 0001B).
- Use the timer 1 interrupt to initiate a 16-bit software reload.

Table 10-4 lists commonly used baud rates and shows how they are generated by timer 1.

**Table 10-4. Timer 1 Generated Baud Rates for Serial I/O Modes 1 and 3**

Baud Rate	Oscillator Frequency (F <sub>osc</sub> )	SMOD1	Timer 1		
			C/T#	Mode	Reload Value
62.5 Kbaud (Max)	12.0 MHz	1	0	2	FFH
19.2 Kbaud	11.059 MHz	1	0	2	FDH
9.6 Kbaud	11.059 MHz	0	0	2	FDH
4.8 Kbaud	11.059 MHz	0	0	2	FAH
2.4 Kbaud	11.059 MHz	0	0	2	F4H
1.2 Kbaud	11.059 MHz	0	0	2	E8H
137.5 Baud	11.986 MHz	0	0	2	1DH
110.0 Baud	6.0 MHz	0	0	2	72H
110.0 Baud	12.0 MHz	0	0	1	FEEBH

### 10.6.3.3 Timer 2 Generated Baud Rates (Modes 1 and 3)

Timer 2 may be selected as the baud rate generator for the transmitter and/or receiver (Figure 10-5). The timer 2 baud rate generator mode is similar to the auto-reload mode. A rollover in the TH2 register reloads registers TH2 and TL2 with the 16-bit value in registers RCAP2H and RCAP2L, which are preset by software.

The timer 2 baud rate is expressed by the following formula:

$$\text{Serial I/O Modes 1 and 3 Baud Rate} = \frac{\text{Timer 2 Overflow Rate}}{16}$$

### 10.6.3.4 Selecting Timer 2 as the Baud Rate Generator

To select timer 2 as the baud rate generator for the transmitter and/or receiver, program the RCLK and TCLK bits in the T2CON register as shown in Table 10-5. (You may select different baud rates for the transmitter and receiver.) Setting RCLK and/or TCLK puts timer 2 into its baud rate generator mode (Figure 10-5). In this mode, a rollover in the TH2 register does not set the TF2 bit in the T2CON register. Also, a high-to-low transition at the T2EX pin sets the EXF2 bit in the T2CON register but does not cause a reload from (RCAP2H, RCAP2L) to (TH2, TL2). You can use the T2EX pin as an additional external interrupt by setting the EXEN2 bit in T2CON.

#### NOTE

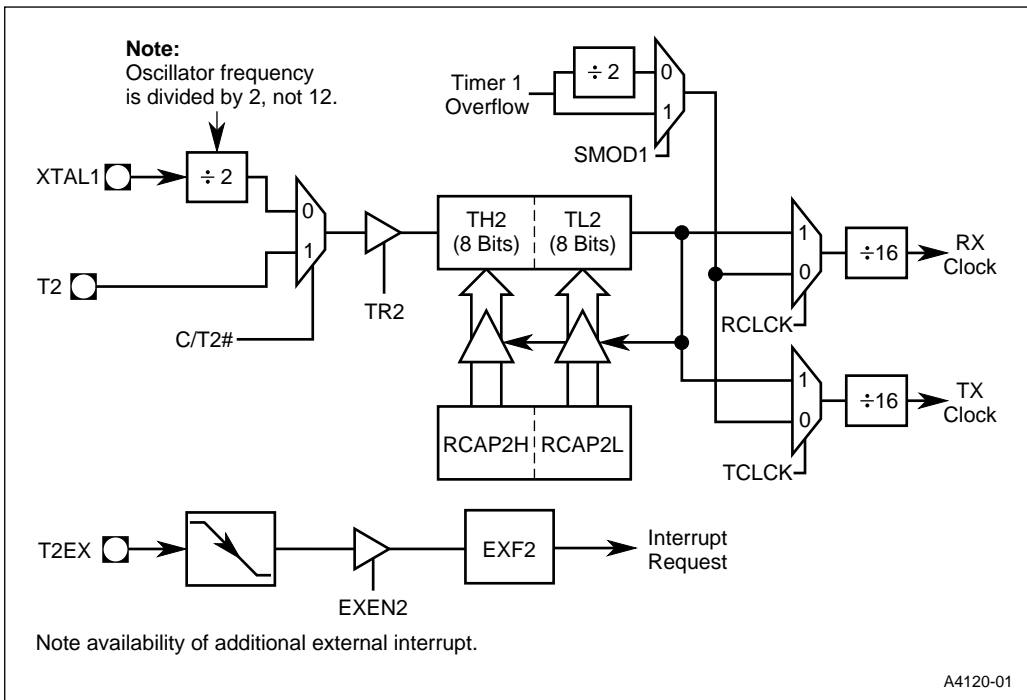
Turn the timer off (clear the TR2 bit in the T2CON register) before accessing registers TH2, TL2, RCAP2H, and RCAP2L.



You may configure timer 2 as a timer or a counter. In most applications, it is configured for timer operation (i.e., the C/T2# bit is clear in the T2CON register).

**Table 10-5. Selecting the Baud Rate Generator(s)**

RCLK Bit	TCLK Bit	Receiver Baud Rate Generator	Transmitter Baud Rate Generator
0	0	Timer 1	Timer 1
0	1	Timer 1	Timer 2
1	0	Timer 2	Timer 1
1	1	Timer 2	Timer 2



**Figure 10-5. Timer 2 in Baud Rate Generator Mode**

Note that timer 2 increments every state time ( $2T_{OSC}$ ) when it is in the baud rate generator mode. In the baud rate formula that follows, “RCAP2H, RCAP2L” denotes the contents of RCAP2H and RCAP2L taken as a 16-bit unsigned integer:

$$\text{Serial I/O Modes 1 and 3 Baud Rates} = \frac{F_{OSC}}{32 \times [65536 - (\text{RCAP2H}, \text{RCAP2L})]}$$

#### NOTE

When timer 2 is configured as a timer and is in baud rate generator mode, do not read or write the TH2 or TL2 registers. The timer is being incremented every state time, and the results of a read or write may not be accurate. In addition, you may read, but not write to, the RCAP2 registers; a write may overlap a reload and cause write and/or reload errors.

Table 10-6 lists commonly used baud rates and shows how they are generated by timer 2.

**Table 10-6. Timer 2 Generated Baud Rates**

Baud Rate	Oscillator Frequency ( $F_{OSC}$ )	RCAP2H	RCAP2L
375.0 Kbaud	12 MHz	FFH	FFH
9.6 Kbaud	12 MHz	FFH	D9H
4.8 Kbaud	12 MHz	FFH	B2H
2.4 Kbaud	12 MHz	FFH	64H
1.2 Kbaud	12 MHz	FEH	C8H
300.0 baud	12 MHz	FBH	1EH
110.0 baud	12 MHz	F2H	AFH
300.0 baud	6 MHz	FDH	8FH
110.0 baud	6 MHz	F9H	57H



**11**

# **Minimum Hardware Setup**





# CHAPTER 11 MINIMUM HARDWARE SETUP

This chapter discusses the basic operating requirements of the MCS<sup>®</sup> 251 microcontroller and describes a minimum hardware setup. Topics covered include power, ground, clock source, and device reset. For parameter values, refer to the device data sheet.

## 11.1 MINIMUM HARDWARE SETUP

Figure 11-1 shows a minimum hardware setup that employs the on-chip oscillator for the system clock and provides power-on reset. Control signals and Ports 0, 1, 2, and 3 are not shown. See sections 11.3, “Clock Sources” and 11.4.4, “Power-on Reset.”

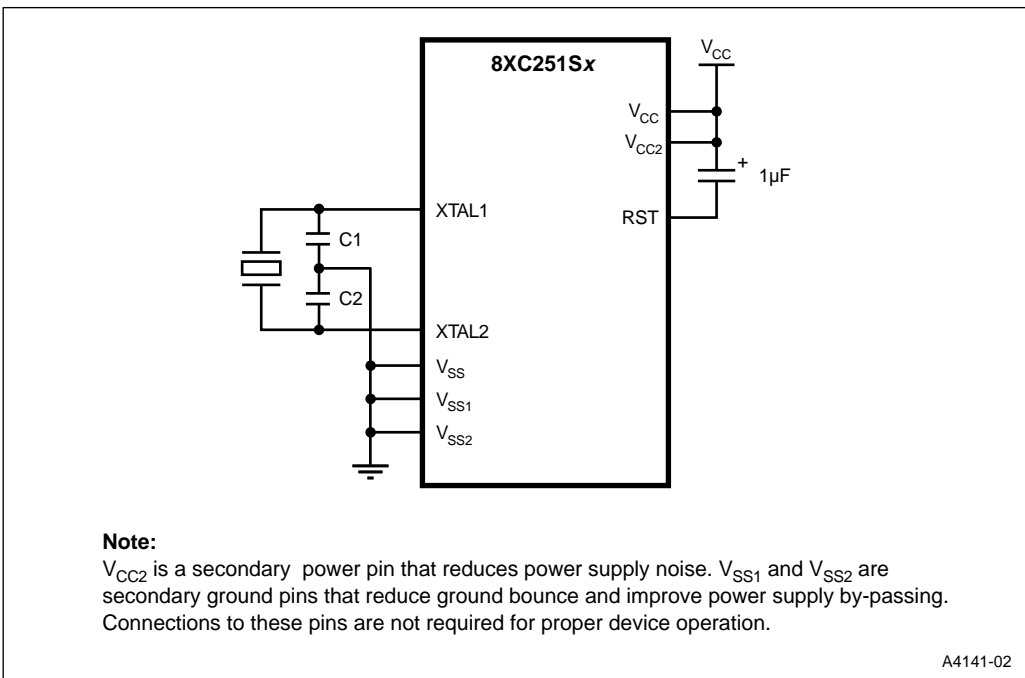


Figure 11-1. Minimum Setup

## 11.2 ELECTRICAL ENVIRONMENT

The 8XC251Sx is a high-speed CHMOS device. To achieve satisfactory performance, its operating environment should accommodate the device signal waveforms without introducing distortion or noise. Design considerations relating to device performance are discussed in this section. See the device data sheet for voltage and current requirements, operating frequency, and waveform timing.

### 11.2.1 Power and Ground Pins

Power the 8XC251Sx from a well-regulated power supply designed for high-speed digital loads. Use short, low impedance connections to the power ( $V_{CC}$  and  $V_{CC2}$ ) and ground ( $V_{SS}$ ,  $V_{SS1}$ , and  $V_{SS2}$ ) pins.

$V_{CC2}$  is a secondary power pin that reduces power supply noise.  $V_{SS1}$  and  $V_{SS2}$  are secondary ground pins that reduce ground bounce and improve power supply bypassing. The secondary power and ground pins are not substitutes for  $V_{CC}$  and  $V_{SS}$ . They are not required for proper device operation; thus, the 8XC251Sx is compatible with designs that do not provide connections to these pins.

### 11.2.2 Unused Pins

To provide stable, predictable performance, connect unused input pins to  $V_{SS}$  or  $V_{CC}$ . Unterminated input pins can float to a mid-voltage level and draw excessive current. Unterminated interrupt inputs may generate spurious interrupts.

### 11.2.3 Noise Considerations

The fast rise and fall times of high-speed CHMOS logic may produce noise spikes on the power supply lines and signal outputs. To minimize noise and waveform distortion follow good board layout techniques. Use sufficient decoupling capacitors and transient absorbers to keep noise within acceptable limits. Connect 0.01  $\mu$ F bypass capacitors between  $V_{CC}$  and each  $V_{SS}$  pin. Place the capacitors close to the device to minimize path lengths.

Multilayer printed circuit boards with separate  $V_{CC}$  and ground planes help minimize noise. For additional information on noise reduction, see Application Note AP-125, "Designing Microcontroller Systems for Electrically Noisy Environments."

### 11.3 CLOCK SOURCES

The 8XC251Sx can obtain the system clock signal from an external clock source (Figure 11-3) or it can generate the clock signal using the on-chip oscillator amplifier and external capacitors and resonator (Figure 11-2).

#### 11.3.1 On-chip Oscillator (Crystal)

This clock source uses an external quartz crystal connected from XTAL1 to XTAL2 as the frequency-determining element (Figure 11-2). The crystal operates in its fundamental mode as an inductive reactance in parallel resonance with capacitance external to the crystal. Oscillator design considerations include crystal specifications, operating temperature range, and parasitic board capacitance. Consult the crystal manufacturer’s data sheet for parameter values. With high quality components,  $C1 = C2 = 30$  pF is adequate for this application.

Pins XTAL1 and XTAL2 are protected by on-chip electrostatic discharge (ESD) devices, D1 and D2, which are diodes parasitic to the  $R_F$  FETs. They serve as clamps to  $V_{CC}$  and  $V_{SS}$ . Feedback resistor  $R_F$  in the inverter circuit, formed from paralleled n- and p- channel FETs, permits the PD bit in the PCON register (Figure 12-1 on page 12-2) to disable the clock during powerdown.

Noise spikes at XTAL1 and XTAL2 can disrupt microcontroller timing. To minimize coupling between other digital circuits and the oscillator, locate the crystal and the capacitors near the chip and connect to XTAL1, XTAL2, and  $V_{SS}$  with short, direct traces. To further reduce the effects of noise, place guard rings around the oscillator circuitry and ground the metal crystal case.

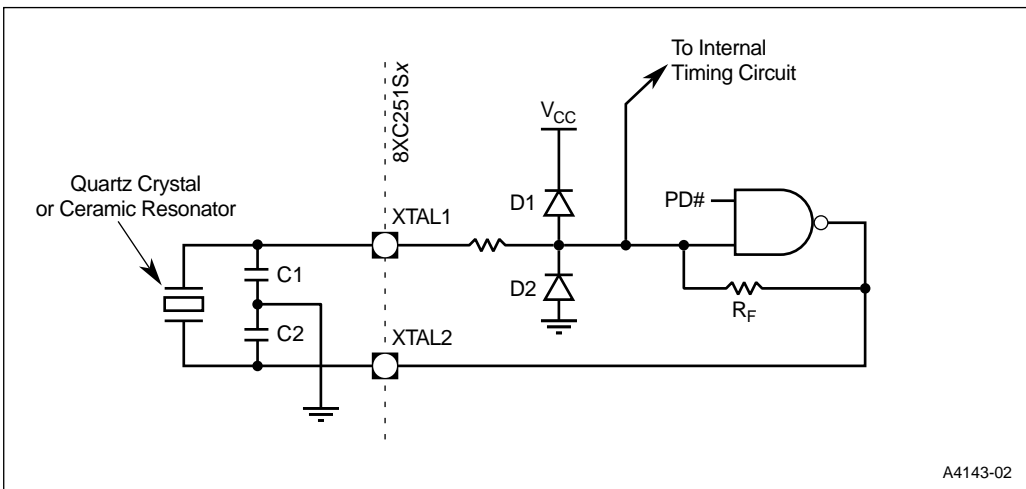


Figure 11-2. CHMOS On-chip Oscillator

For a more in-depth discussion of crystal specifications, ceramic resonators, and the selection of C1 and C2 see Applications Note AP-155, "Oscillators for Microcontrollers," in the Embedded Applications handbook.

### 11.3.2 On-chip Oscillator (Ceramic Resonator)

In cost-sensitive applications, you may choose a ceramic resonator instead of a crystal. Ceramic resonator applications may require slightly different capacitor values and circuit configuration. Consult the manufacturer's data sheet for specific information.

### 11.3.3 External Clock

To operate the CHMOS 8XC251Sx from an external clock, connect the clock source to the XTAL1 pin as shown in Figure 11-3. Leave the XTAL2 pin floating. The external clock driver can be a CMOS gate. If the clock driver is a TTL device, its output must be connected to  $V_{CC}$  through a 4.7 k $\Omega$  pullup resistor.

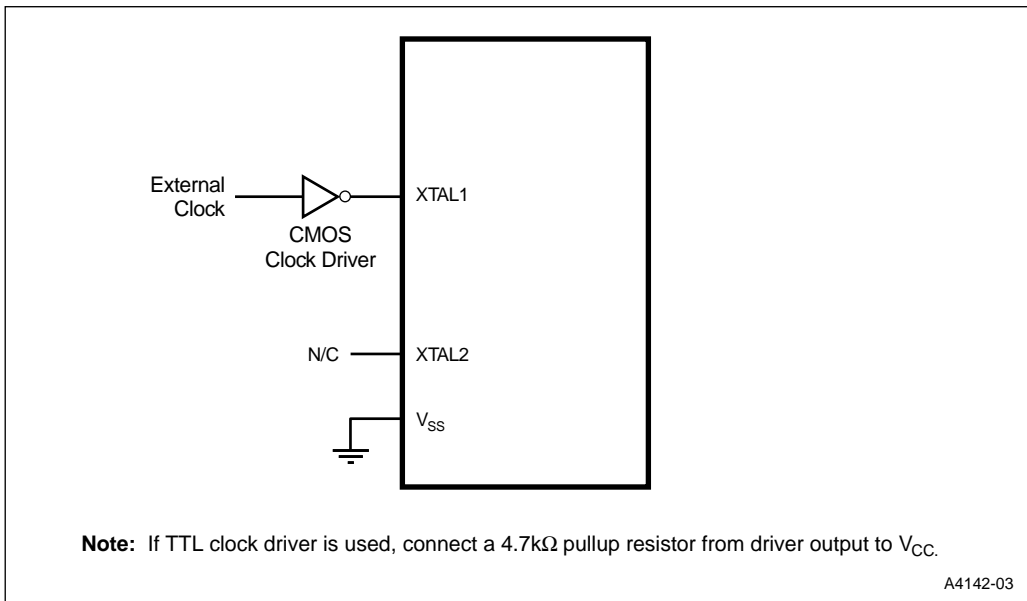
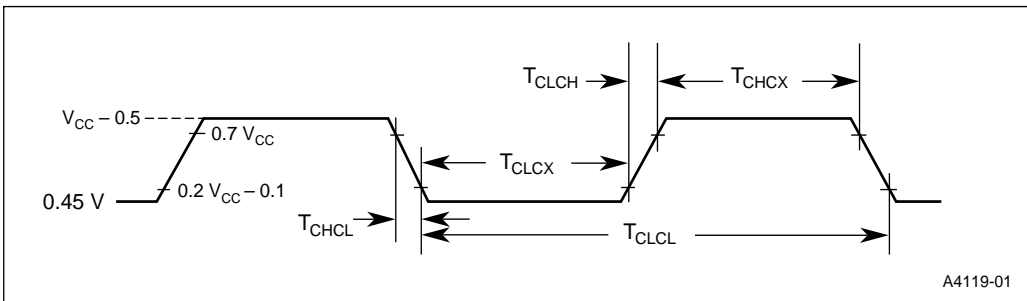


Figure 11-3. External Clock Connection



For external clock drive requirements, see the device data sheet. Figure 11-4 shows the clock drive waveform. The external clock source must meet the minimum high and low times ( $T_{CHCX}$  and  $T_{CLCX}$ ) and the maximum rise and fall times ( $T_{CLCH}$  and  $T_{CHCL}$ ) to minimize the effect of external noise on the clock generator circuit. Long rise and fall times increase the chance that external noise will affect the clock circuitry and cause unreliable operation.

The external clock driver may encounter increased capacitance loading at XTAL1 due to the interaction between the internal amplifier and its feedback capacitance (i.e., the Miller effect) at power-on. Once the input waveform requirements are met, the input capacitance remains under 20 pF.



**Figure 11-4. External Clock Drive Waveforms**

## 11.4 RESET

A device reset initializes the 8XC251Sx and vectors the CPU to address FF:0000H. A reset is required after applying power at turn-on. A reset is a means of exiting the idle and powerdown modes or recovering from software malfunctions.

To achieve a valid reset,  $V_{CC}$  must be within its normal operating range (see device data sheet) and the reset signal must be maintained for 64 clock cycles ( $64T_{OSC}$ ) after the oscillator has stabilized.

Device reset is initiated in two ways:

- externally, by asserting the RST pin
- internally, if the hardware WDT or the PCA WDT expires

The power off flag (POF) in the PCON register indicates whether a reset is a warm start or a cold start. A cold start reset (POF = 1) is a reset that occurs after power has been off or  $V_{CC}$  has fallen below 3 V, so the contents of volatile memory are indeterminate. POF is set by hardware when  $V_{CC}$  rises from less than 3V to its normal operating level. See section 12.2.2, “Power Off Flag.” A warm start reset (POF = 0) is a reset that occurs while the chip is at operating voltage, for example, a reset initiated by a WDT overflow or an external reset used to terminate the idle or powerdown modes.

#### 11.4.1 Externally Initiated Resets

To reset the 8XC251Sx, hold the RST pin at a logic high for at least 64 clock cycles ( $64T_{OSC}$ ) while the oscillator is running. Reset can be accomplished automatically at the time power is applied by capacitively coupling RST to  $V_{CC}$  (see Figure 11-1 and section 11.4.4, “Power-on Reset”). The RST pin has a Schmitt trigger input and a pulldown resistor.

#### 11.4.2 WDT Initiated Resets

Expiration of the hardware WDT (overflow) or the PCA WDT (comparison match) generates a reset signal. WDT initiated resets have the same effect as an external reset. See section 8.7, “Watchdog Timer,” and section 9.3.5, “PCA Watchdog Timer Mode.”

#### 11.4.3 Reset Operation

When a reset is initiated, whether externally or by a WDT, the port pins are immediately forced to their reset condition as a fail-safe precaution, whether the clock is running or not.

The external reset signal and the WDT initiated reset signals are combined internally. For an external reset the voltage on the RST pin must be held high for  $64T_{OSC}$ . For WDT initiated resets, a 5-bit counter in the reset logic maintains the signal for the required  $64T_{OSC}$ .

The CPU checks for the presence of the combined reset signal every  $2T_{OSC}$ . When a reset is detected, the CPU responds by triggering the internal reset routine. The reset routine loads the SFRs with their reset values (see Table 3-5 on page 3-17). Reset does not affect on-chip data RAM or the register file. However, following a cold start reset, these are indeterminate because  $V_{CC}$  has fallen too low or has been off. Following a synchronizing operation and the configuration fetch, the CPU vectors to address FF:0000. Figure 11-5 shows the reset timing sequence.

While the RST pin is high ALE, PSEN#, and the port pins are weakly pulled high. The first ALE occurs  $32T_{OSC}$  after the reset signal goes low. For this reason, other devices can not be synchronized to the internal timings of the 8XC251Sx.

#### NOTE

Externally driving the ALE and/or PSEN# pins to 0 during the reset routine may cause the device to go into an indeterminate state.

Powering up the 8XC251Sx without a reset may improperly initialize the program counter and SFRs and cause the CPU to execute instructions from an undetermined memory location.

#### 11.4.4 Power-on Reset

To automatically generate a reset at power-on, connect the RST pin to the  $V_{CC}$  pin through a 1- $\mu$ F capacitor as shown in Figure 11-1.

When  $V_{CC}$  is applied, the RST pin rises to  $V_{CC}$ , then decays exponentially as the capacitor charges. The time constant must be such that RST remains high (above the turn-off threshold of the Schmitt trigger) long enough for the oscillator to start and stabilize, plus  $64T_{OSC}$ . At power-on,  $V_{CC}$  should rise within approximately 10 ms. Oscillator start-up time is a function the crystal frequency; typical start-up times are 1 ms for a 10 MHz crystal and 10 ms for a 1 Mhz crystal.

During power-on, the port pins are in a random state until forced to their reset state by the asynchronous logic.

Reducing  $V_{CC}$  quickly to 0 causes the RST pin voltage to momentarily fall below 0 V. This voltage is internally limited and does not harm the device.

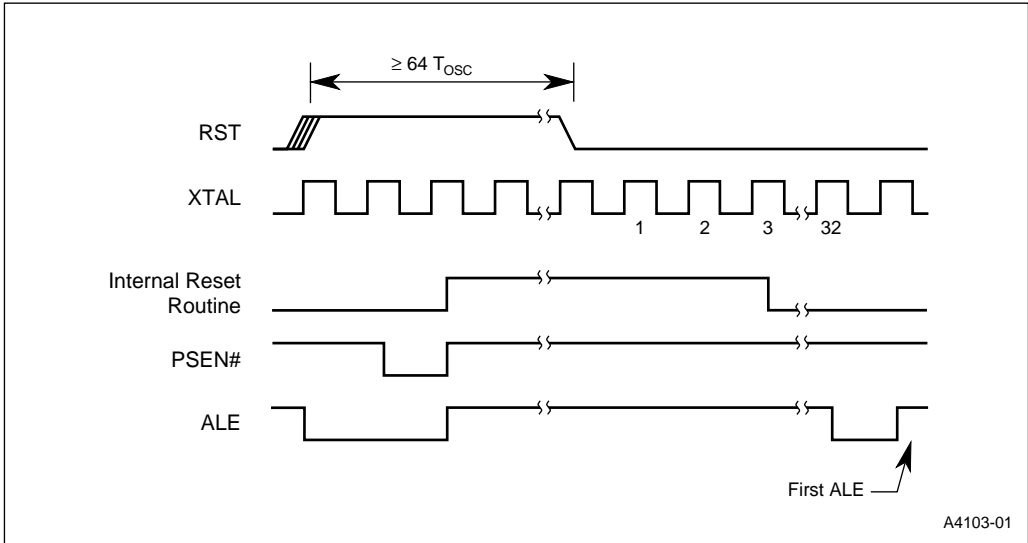


Figure 11-5. Reset Timing Sequence



**12**

# **Special Operating Modes**





## CHAPTER 12

# SPECIAL OPERATING MODES

This chapter describes the power control (PCON) register and three special operating modes: idle, powerdown, and on-circuit emulation (ONCE).

### 12.1 GENERAL

The idle and powerdown modes are power reduction modes for use in applications where power consumption is a concern. User instructions activate these modes by setting bits in the PCON register. Program execution halts, but resumes when the mode is exited by an interrupt. While in idle or power-down, the  $V_{CC}$  pin is the input for backup power.

ONCE is a test mode that electrically isolates the 8XC251Sx from the system in which it operates.

### 12.2 POWER CONTROL REGISTER

The PCON special function register (Figure 12-1) provides two control bits for the serial I/O function, bits for selecting the idle and powerdown modes, the power off flag, and two general purpose flags.

#### 12.2.1 Serial I/O Control Bits

The SMOD1 bit in the PCON register is a factor in determining the serial I/O baud rate. See Figure 12-1 and section 10.6, “Baud Rates.”

The SMOD0 bit in the PCON register determines whether bit 7 of the SCON register provides read/write access to the framing error (FE) bit (SMOD0 = 1) or to SM0, a serial I/O mode select bit (SMOD0 = 0). See Figure 12-1 (PCON) and Figure 10-2 on page 10-3 (SCON).

#### 12.2.2 Power Off Flag

Hardware sets the Power Off Flag (POF) in PCON when  $V_{CC}$  rises from  $< 3\text{ V}$  to  $> 3\text{ V}$  to indicate that on-chip volatile memory is indeterminate (e.g., at power-on). The POF can be set or cleared by software. After a reset, check the status of this bit to determine whether a cold start reset or a warm start reset occurred (see section 11.4, “Reset”). After a cold start, user software should clear the POF. If POF = 1 is detected at other times, do a reset to reinitialize the chip, since for  $V_{CC} < 3\text{ V}$  data may have been lost or some logic may have malfunctioned.

PCON				Address: S:87H			
				Reset State: 00XX 0000B			
7				0			
SMOD1	SMOD0	—	POF	GF1	GF0	PD	IDL

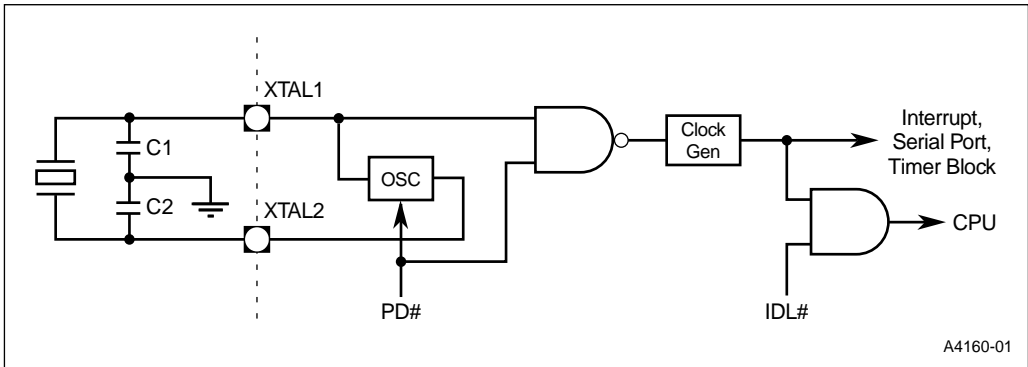
Bit Number	Bit Mnemonic	Function
7	SMOD1	Double Baud Rate Bit: When set, doubles the baud rate when timer 1 is used and mode 1, 2, or 3 is selected in the SCON register. See section 10.6, "Baud Rates."
6	SMOD0	SCON.7 Select: When set, read/write accesses to SCON.7 are to the FE bit. When clear, read/write accesses to SCON.7 are to the SM0 bit. See Figure 10-2 on page 10-3 (SCON).
5	—	Reserved: The value read from this bit is indeterminate. Write a zero to this bit.
4	POF	Power Off Flag: Set by hardware as $V_{CC}$ rises above 3 V to indicate that power has been off or $V_{CC}$ had fallen below 3 V and that on-chip volatile memory is indeterminate. Set or cleared by software.
3	GF1	General Purpose Flag: Set or cleared by software. One use is to indicate whether an interrupt occurred during normal operation or during idle mode.
2	GF0	General Purpose Flag: Set or cleared by software. One use is to indicate whether an interrupt occurred during normal operation or during idle mode.
1	PD	Powerdown Mode Bit: When set, activates powerdown mode. Cleared by hardware when an interrupt or reset occurs.
0	IDL	Idle Mode Bit: When set, activates idle mode. Cleared by hardware when an interrupt or reset occurs. If IDL and PD are both set, PD takes precedence.

Figure 12-1. Power Control (PCON) Register



**Table 12-1. Pin Conditions in Various Modes**

Mode	Program Memory	ALE Pin	PSEN# Pin	Port 0 Pins	Port 1 Pins	Port 2 Pins	Port 3 Pins
Reset	Don't Care	Weak High	Weak High	Floating	Weak High	Weak High	Weak High
Idle	Internal	1	1	Data	Data	Data	Data
Idle	External	1	1	Floating	Data	Data	Data
Powerdown	Internal	0	0	Data	Data	Data	Data
Powerdown	External	0	0	Floating	Data	Data	Data
ONCE	Don't Care	Floating	Floating	Floating	Weak High	Weak High	Weak High



A4160-01

**Figure 12-2. Idle and Powerdown Clock Control**

## 12.3 IDLE MODE

Idle mode is a power reduction mode that reduces power consumption to about 40% of normal. In this mode, program execution halts. Idle mode freezes the clocks to the CPU at known states while the peripherals continue to be clocked (Figure 12-2). The CPU status before entering idle mode is preserved; i.e., the program counter, program status word register, and register file retain their data for the duration of idle mode. The contents of the SFRs and RAM are also retained. The status of the port pins depends upon the location of the program memory.

- Internal program memory: the ALE and PSEN# pins are pulled high and the ports 0, 1, 2, and 3 pins are reading data (Table 12-1).
- External program memory: the ALE and PSEN# pins are pulled high; the port 0 pins are floating; and the pins of ports 1, 2, and 3 are reading data (Table 12-1).

### NOTE

If desired, the PCA may be instructed to pause during idle mode by setting the CIDL bit in the CMOD register (Figure 9-7 on page 9-13).

### 12.3.1 Entering Idle Mode

To enter idle mode, set the PCON register IDL bit. The 8XC251Sx enters idle mode upon execution of the instruction that sets the IDL bit. The instruction that sets the IDL bit is the last instruction executed.

### CAUTION

If the IDL bit and the PD bit are set simultaneously, the 8XC251Sx enters powerdown mode.

### 12.3.2 Exiting Idle Mode

There are two ways to exit idle mode:

- Generate an enabled interrupt. Hardware clears the PCON register IDL bit which restores the clocks to the CPU. Execution resumes with the interrupt service routine. Upon completion of the interrupt service routine, program execution resumes with the instruction immediately following the instruction that activated idle mode. The general purpose flags (GF1 and GF0 in the PCON register) may be used to indicate whether an interrupt occurred during normal operation or during idle mode. When idle mode is exited by an interrupt, the interrupt service routine may examine GF1 and GF0.
- Reset the chip. See section 11.4, “Reset.” A logic high on the RST pin clears the IDL bit in the PCON register directly and asynchronously. This restores the clocks to the CPU. Program execution momentarily resumes with the instruction immediately following the instruction that activated the idle mode and may continue for a number of clock cycles before the internal reset algorithm takes control. Reset initializes the 8XC251Sx and vectors the CPU to address FF:0000H.

#### NOTE

During the time that execution resumes, the internal RAM cannot be accessed; however, it is possible for the port pins to be accessed. To avoid unexpected outputs at the port pins, the instruction immediately following the instruction that activated idle mode should not write to a port pin or to the external RAM.

### 12.4 POWERDOWN MODE

The powerdown mode places the 8XC251Sx in a very low power state. Powerdown mode stops the oscillator and freezes all clocks at known states (Figure 12-2). The CPU status prior to entering powerdown mode is preserved, i.e., the program counter, program status word register, and register file retain their data for the duration of powerdown mode. In addition, the SFRs and RAM contents are preserved. The status of the port pins depends on the location of the program memory:

- Internal program memory: the ALE and PSEN# pins are pulled low and the ports 0, 1, 2, and 3 pins are reading data (Table 12-1).
- External program memory: the ALE and PSEN# pins are pulled low; the port 0 pins are floating; and the pins of ports 1, 2, and 3 are reading data (Table 12-1).

#### NOTE

Vcc may be reduced to as low as 2 V during powerdown to further reduce power dissipation. Take care, however, that Vcc is not reduced until powerdown is invoked.

### 12.4.1 Entering Powerdown Mode

To enter powerdown mode, set the PCON register PD bit. The 8XC251Sx enters the power-down mode upon execution of the instruction that sets the PD bit. The instruction that sets the PD bit is the last instruction executed.

### 12.4.2 Exiting Powerdown Mode

#### CAUTION

If  $V_{CC}$  was reduced during the powerdown mode, do not exit powerdown until  $V_{CC}$  is restored to the normal operating level.

There are two ways to exit the powerdown mode:

- Generate an enabled external interrupt. Hardware clears the PD bit in the PCON register which starts the oscillator and restores the clocks to the CPU and peripherals. Execution resumes with the interrupt service routine. Upon completion of the interrupt service routine, program execution resumes with the instruction immediately following the instruction that activated powerdown mode.

#### NOTE

To enable an external interrupt, set the IE register EX0 and/or EX1 bit[s]. The external interrupt used to exit powerdown mode must be configured as level sensitive and must be assigned the highest priority. In addition, the duration of the interrupt must be of sufficient length to allow the oscillator to stabilize.

- Generate a reset. See section 11.4, “Reset.” A logic high on the RST pin clears the PD bit in the PCON register directly and asynchronously. This starts the oscillator and restores the clocks to the CPU and peripherals. Program execution momentarily resumes with the instruction immediately following the instruction that activated powerdown and may continue for a number of clock cycles before the internal reset algorithm takes control. Reset initializes the 8XC251Sx and vectors the CPU to address FF:0000H.

#### NOTE

During the time that execution resumes, the internal RAM cannot be accessed; however, it is possible for the port pins to be accessed. To avoid unexpected outputs at the port pins, the instruction immediately following the instruction that activated the powerdown mode should not write to a port pin or to the external RAM.

## 12.5 ON-CIRCUIT EMULATION (ONCE) MODE

The on-circuit emulation (ONCE) mode permits external testers to test and debug 8XC251S $x$ -based systems without removing the chip from the circuit board. A clamp-on emulator or test CPU is used in place of the 8XC251S $x$  which is electrically isolated from the system.

### 12.5.1 Entering ONCE Mode

To enter the ONCE mode:

1. Assert RST to initiate a device reset. See section 11.4.1, “Externally Initiated Resets,” and the reset waveforms in Figure 11-5 on page 11-8.
2. While holding RST asserted, apply and hold logic levels to I/O pins as follows: PSEN# = low, P0.7:5 = low, P0.4 = high, P0.3:0 = low (i.e., port 0 = 10H).
3. Deassert RST, then remove the logic levels from PSEN# and port 0.

These actions cause the 8XC251S $x$  to enter the ONCE mode. Port 1, 2, and 3 pins are weakly pulled high and port 0, ALE, and PSEN# pins are floating (Table 12-1). Thus the device is electrically isolated from the remainder of the system which can then be tested by an emulator or test CPU. Note that in the ONCE mode the device oscillator remains active.

### 12.5.2 Exiting ONCE Mode

To exit ONCE mode, reset the device.





13

# External Memory Interface







# CHAPTER 13

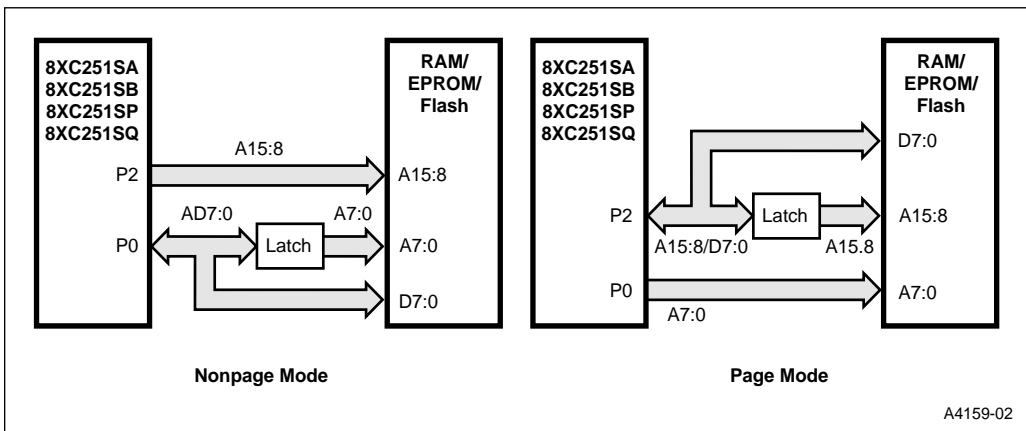
## EXTERNAL MEMORY INTERFACE

### 13.1 OVERVIEW

The external memory interface comprises the external bus (ports 0 and 2, and when enabled also includes port 1.7:6) as well as the bus control signals (RD#, WR#, PSEN# and ALE). Chip configuration bytes (see Chapter 4, “Device Configuration”) determine several interface options: page mode or nonpage mode for external code fetches; the number of external address bits (16, 17, or 18); the address ranges for RD#, WR#, and PSEN#; and the number of preprogrammed external wait states to extend RD#, WR#, PSEN# or ALE. Real-time wait states can be enabled with special function register WCON.1:0. You can use these options to tailor the interface to your application. See also section 4.5, “Configuring the External Memory Interface.”

The external memory interface operates in either page mode or nonpage mode. Page mode provides increased performance by reducing the time for external code fetches. Page mode does not apply to code fetches from on-chip memory. The reset routine configures the 8XC251Sx for operation in page mode or nonpage mode according to bit 1 of configuration byte UCONFIG0. Figure 13-1 shows the structure of the external address bus for page and nonpage mode operation. P0 carries address A7:0 while P2 carries address A15:8. Data D7:0 is multiplexed with A7:0 on P0 in nonpage mode and with A15:8 on P2 in page mode.

Table 13-1 describes the external memory interface signals. The address and data signals (AD7:0 on port 0 and A15:8 on port 2) are defined for nonpage mode.



**Figure 13-1. Bus Structure in Nonpage Mode and Page Mode**

Table 13-1. External Memory Interface Signals

Signal Name	Type	Description	Alternate Function
A17	O	<b>Address Line 17.</b>	P1.7/CEX4/WCLK
A16	O	<b>Address Line 16.</b> See RD#.	P3.7/RD#
A15:8†	O	<b>Address Lines.</b> Upper address for external bus (non-page mode).	P2.7:0
AD7:0†	I/O	<b>Address/Data Lines.</b> Multiplexed lower address and data for the external bus (non-page mode).	P0.7:0
ALE	O	<b>Address Latch Enable.</b> ALE signals the start of an external bus cycle and indicates that valid address information is available on lines A15:8 and AD7:0.	PROG#
EA#	I	<b>External Access.</b> For EA# strapped to ground, all program memory accesses are off-chip. For EA# = strapped to V <sub>CC</sub> , an access is to on-chip OTPROM/ROM if the address is within the range of the on-chip OTPROM/ROM; otherwise the access is off-chip. The value of EA# is latched at reset. For a ROMless device, strap EA# to ground.	V <sub>PP</sub>
PSEN#	O	<b>Program Store Enable.</b> Read signal output. This output is asserted for a memory address range that depends on bits RD0 and RD1 in the configuration byte (see also RD#):  <b>RD1 RD0 Address Range for Assertion</b> 0 0 All addresses 0 1 All addresses 1 0 All addresses 1 1 All addresses ≥ 80:0000H	—
RD#	O	<b>Read or 17th Address Bit (A16).</b> Read signal output to external data memory or 17th external address bit (A16), depending on the values of bits RD0 and RD1 in configuration byte. (See PSEN#):  <b>RD1 RD0 Function</b> 0 0 The pin functions as A16 only. 0 1 The pin functions as A16 only. 1 0 The pin functions as P3.7 only. 1 1 RD# asserted for reads at all addresses ≤7F:FFFFH.	P3.7/A16
WAIT#	I	<b>Real-time Wait State Input.</b> The real-time WAIT # input is enabled by writing a logical '1' to the WCON.0 (RTWE) bit at S:A7H. During bus cycles, the external memory system can signal 'system ready' to the microcontroller in real time by controlling the WAIT# input signal on the port 1.6 input.	P1.6/CEX3
WCLK	O	<b>Wait Clock Output.</b> The real-time WCLK output is driven at port 1.7 (WCLK) by writing a logical '1' to the WCON.1 (RTWCE) bit at S:A7H. When enabled, the WCLK output produces a square wave signal with a period of one-half the oscillator frequency.	A17/P1.7/CEX4
WR#	O	<b>Write.</b> Write signal output to external memory. WR# is asserted for writes to all valid memory locations.	P3.6

† If the chip is configured for page-mode operation, port 0 carries the lower address bits (A7:0), and port 2 carries the upper address bits (A15:8) and the data (D7:0).

## 13.2 EXTERNAL BUS CYCLES

The section describes the bus cycles the 8XC251Sx executes to fetch code, read data, and write data in external memory. Both page mode and nonpage mode are described and illustrated. For simplicity, the accompanying figures depict the bus cycle waveforms in idealized form and do not provide precise timing information. This section does not cover wait states (see section 13.4, “External Bus Cycles with Configurable Wait States”) or configuration byte bus cycles (see section 13.6, “Configuration Byte Bus Cycles”). For bus cycle timing parameters refer to the datasheet.

An “inactive external bus” exists when the 8XC251Sx is not executing external bus cycles. This occurs under any of the three following conditions:

- Bus Idle (The chip is in normal operating mode but no external bus cycles are executing)
- The chip is in idle mode
- The chip is in powerdown mode

### 13.2.1 Bus Cycle Definitions

Table 13-2 lists the types of external bus cycles. It also shows the activity on the bus for nonpage mode and page mode bus cycles with no wait states. There are three types of nonpage mode bus cycles: code read, data read, and data write. There are four types of page mode bus cycles: code fetch (page miss), code read (page hit), data read, and data write. The data read and data write cycles are the same for page mode and nonpage mode (except the multiplexing of D7:0 on ports 0 and 2).

**Table 13-2. Bus Cycle Definitions (No Wait States)**

Mode	Bus Cycle	Bus Activity		
		State 1	State 2	State 3
Nonpage Mode	Code Read	ALE	RD#/PSEN#, code in	
	Data Read (2)	ALE	RD#/PSEN#	data in
	Data Write (2)	ALE	WR#	WR# high, data out
Page Mode	Code Read, Page Miss	ALE	RD#/PSEN#, code in	
	Code Read, Page Hit (3)	PSEN#, code in		
	Data Read (2)	ALE	RD#/PSEN#	data in
	Data Write (2)	ALE	WR#	WR# high, data out

**NOTES:**

1. Signal timing implied by this table is approximate (idealized).
2. Data read (page mode) = data read (nonpage mode) and write (page mode) = write (nonpage mode) except that in page mode data appears on P2 (multiplexed with A15:0), whereas in nonpage mode data appears on P0 (multiplexed with A7:0).
3. The initial code read page hit bus cycle can execute only following a code read page miss cycle.

### 13.2.2 Nonpage Mode Bus Cycles

In nonpage mode, the external bus structure is the same as for MCS 51 microcontrollers. The upper address bits (A15:8) are on port 2, and the lower address bits (A7:0) are multiplexed with the data (D7:0) on port 0. External code read bus cycles execute in approximately two state times. See Table 13-2 and Figure 13-2. External data read bus cycles (Figure 13-3) and external write bus cycles (Figure 13-4) execute in approximately three state times. For the write cycle (Figure 13-4), a third state is appended to provide recovery time for the bus. Note that the write signal WR# is asserted for all memory regions, except for the case of RD1:0 = 11, where WR# is asserted for regions 00:–01: but **not** for regions FE:–FF:.

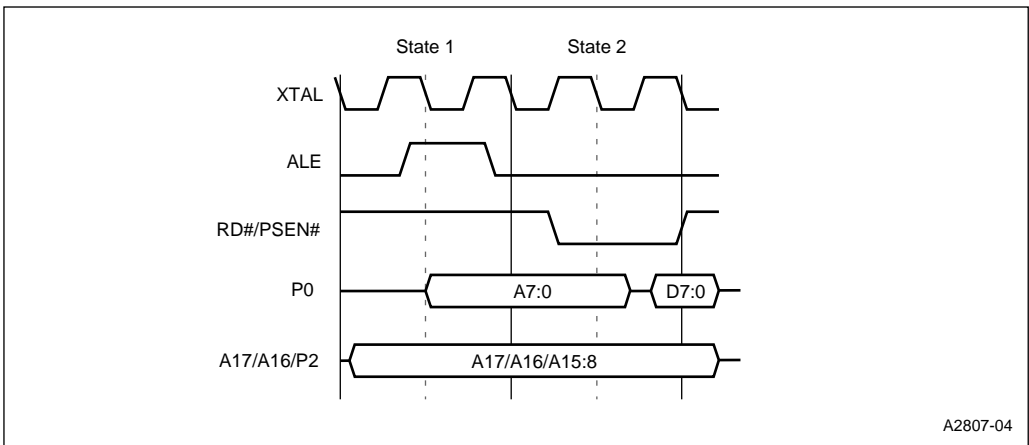


Figure 13-2. External Code Fetch (Nonpage Mode)

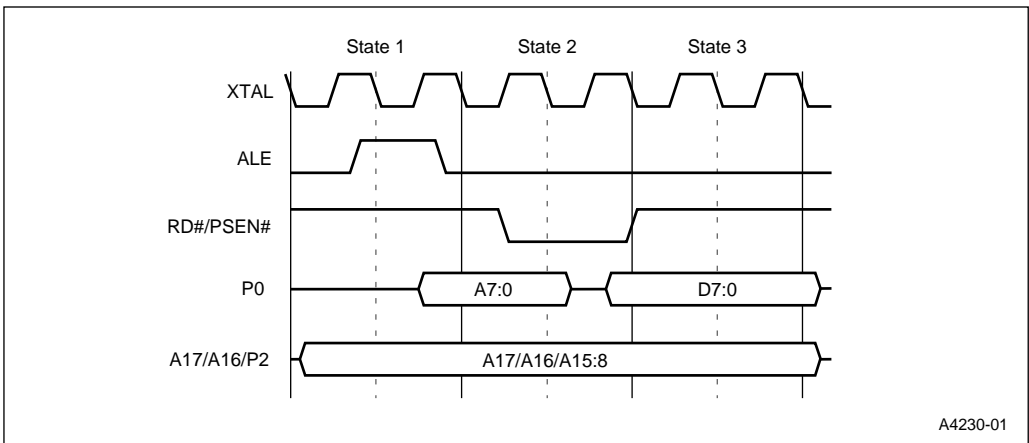
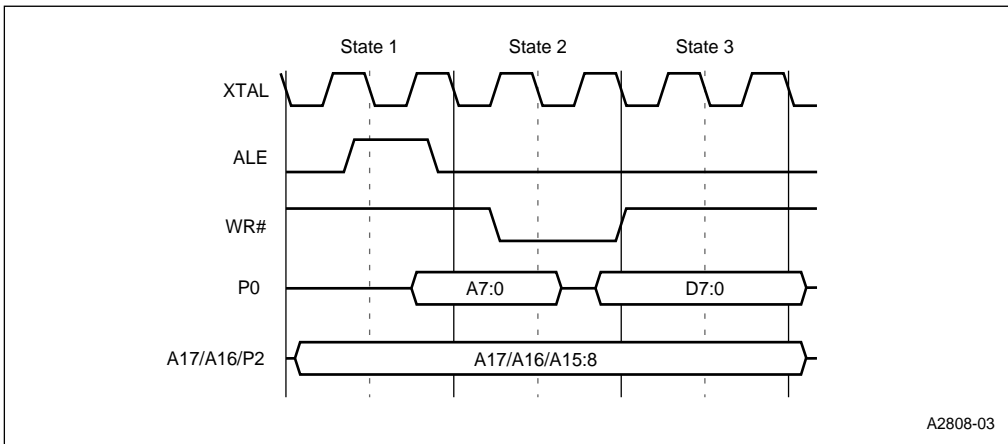


Figure 13-3. External Data Read (Nonpage Mode)



**Figure 13-4. External Data Write (Nonpage Mode)**

### 13.2.3 Page Mode Bus Cycles

Page mode increases performance by reducing the time for external code fetches. Under certain conditions the controller fetches an instruction from external memory in one state time instead of two (Table 13-2). Page mode does not affect internal code fetches.

The first code fetch to a 256-byte “page” of memory always uses a two-state bus cycle. Subsequent successive code fetches to the same page (*page hits*) require only a one-state bus cycle. When a subsequent fetch is to a different page (*page miss*) it again requires a two-state bus cycle. The following external code fetches are always page-miss cycles:

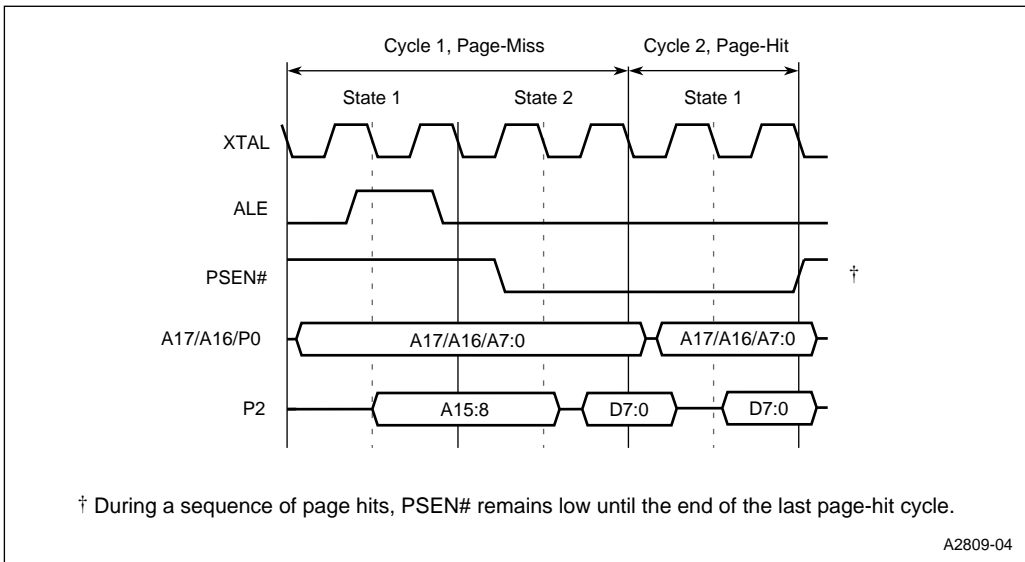
- the first external code fetch after a page rollover†
- the first external code fetch after an external data bus cycle
- the first external code fetch after powerdown or idle mode
- the first external code fetch after a branch, return, interrupt, etc.

In page mode, the 8XC251Sx bus structure differs from the bus structure in MCS 51 controllers (Figure 13-1). The upper address bits A15:8 are multiplexed with the data D7:0 on port 2, and the lower address bits (A7:0) are on port 0.

† A page rollover occurs when the address increments from the top of one 256-byte page to the bottom of the next (e.g., from FF:FAFFH to FF:FB00H).

Figure 13-5 shows the two types of external bus cycles for code fetches in page mode. The *page-miss* cycle is the same as a code fetch cycle in nonpage mode (except D7:0 is multiplexed with A15:8 on P2.). For the *page-hit* cycle, the upper eight address bits are the same as for the preceding cycle. Therefore, ALE is not asserted, and the values of A15:8 are retained in the address latches. In a single state, the new values of A7:0 are placed on port 0, and memory places the instruction byte on port 2. Notice that a page hit reduces the available address access time by one state. Therefore, faster memories may be required to support page mode.

Figure 13-6 and Figure 13-7 show the bus cycles for data reads and data writes in page mode. These cycles are identical to those for nonpage mode, except for the different signals on ports 0 and 2.



**Figure 13-5. External Code Fetch (Page Mode)**

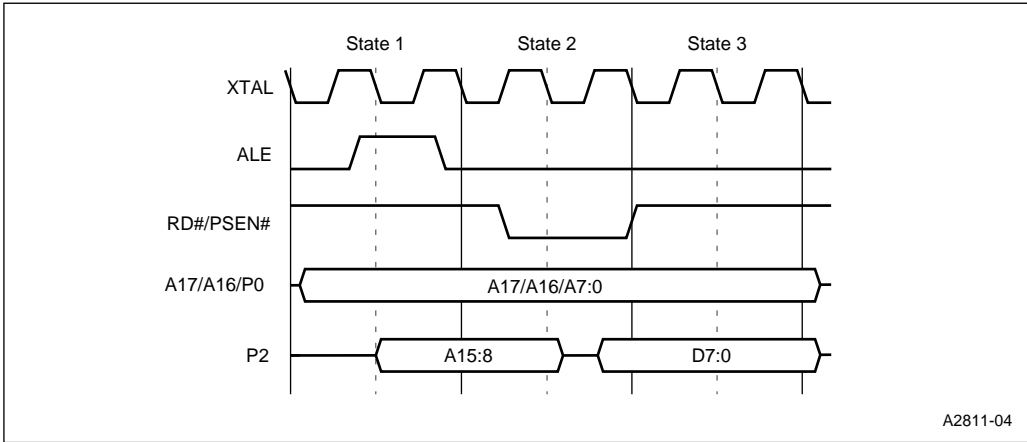


Figure 13-6. External Data Read (Page Mode)

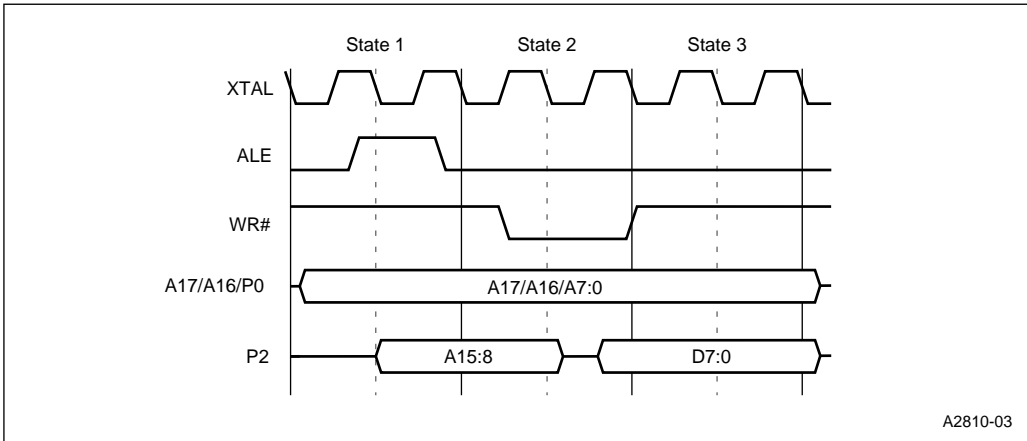


Figure 13-7. External Data Write (Page Mode)

### 13.3 WAIT STATES

The 8XC251SA, SB, SP, SQ provides three types of wait state solutions to external memory problems: real-time, RD#/WR#/PSEN#, and ALE wait states. The 8XC251SA, SB, SP, SQ supports traditional real-time wait state operations for dynamic bus control. Real-time wait state operations are controlled by means of the WCON special function register. See section 13.5, “External Bus Cycles with Real-time Wait States.”

In addition, the 8XC251SA, SB, SP, SQ device can be configured at reset to add wait states to external bus cycles by extending the ALE or RD#/WR#/PSEN# pulses. See section 4.5.3, “Wait State Configuration Bits.”

You can configure the chip to use multiple types of wait states. Accesses to on-chip code and data memory always use zero wait states. The following sections demonstrate wait state usage.

### 13.4 EXTERNAL BUS CYCLES WITH CONFIGURABLE WAIT STATES

Three types of wait state solutions are available; real-time, RD#/WR#/PSEN#, and ALE wait states. The 8XC251SA, SB, SP, SQ supports traditional real-time wait state operations for dynamic bus control. The real-time wait state operations are enabled with the WCON SFR bits at address S:0A7H. The device can also be configured to add wait states to the external bus cycles by extending the bus timing of the RD#/WR#/PSEN# pulses or by extending the ALE pulse or by adding 0, 1, 2, or 3 wait states to the RD#/WR#/PSEN# pulses.

The XALE# configuration bit specifies 0 or 1 wait state for ALE. The WSA1:0# and WSB1:0# configuration bits specify the number of wait states for RD/WR/PSEN. See section 4.5.3, “Wait State Configuration Bits.” You can configure the chip to use multiple types of wait states. Accesses to on-chip code and data memory always use zero wait states. The following sections describe each solution.

#### 13.4.1 Extending RD#/WR#/PSEN#

Figure 13-8 shows the nonpage mode code fetch bus cycle with one RD#/PSEN# wait state. The wait state extends the bus cycle to three states. Figure 13-9 shows the nonpage mode data write bus cycle with one WR# wait state. The wait state extends the bus cycle to four states. The waveforms in Figure 13-9 also apply to the nonpage mode data read external bus cycle if RD#/PSEN# is substituted for WR#.



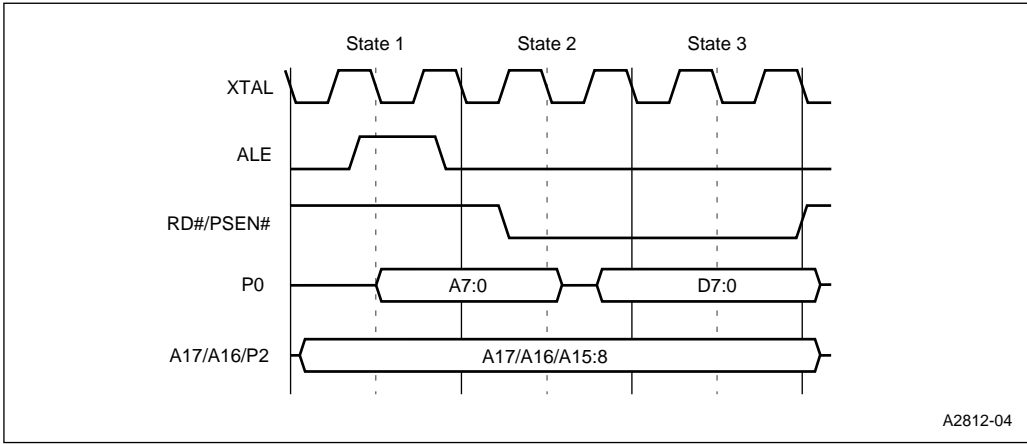


Figure 13-8. External Code Fetch (Nonpage Mode, One RD#/PSEN# Wait State)

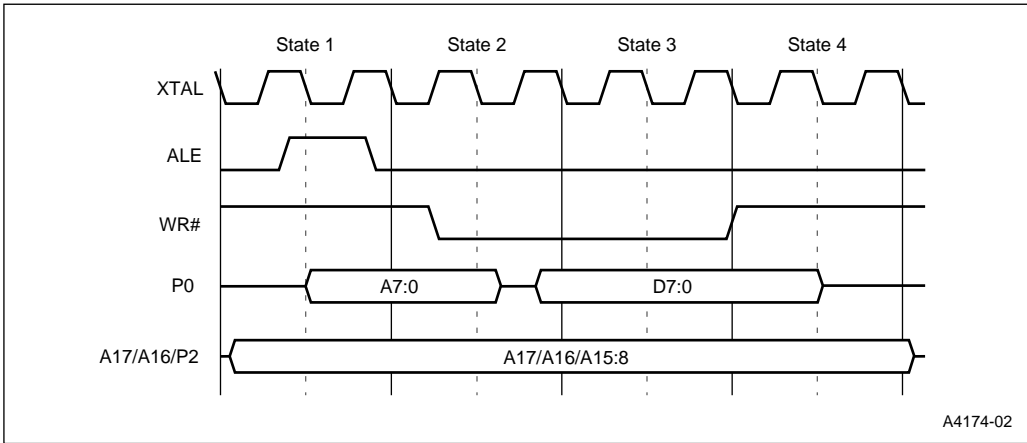
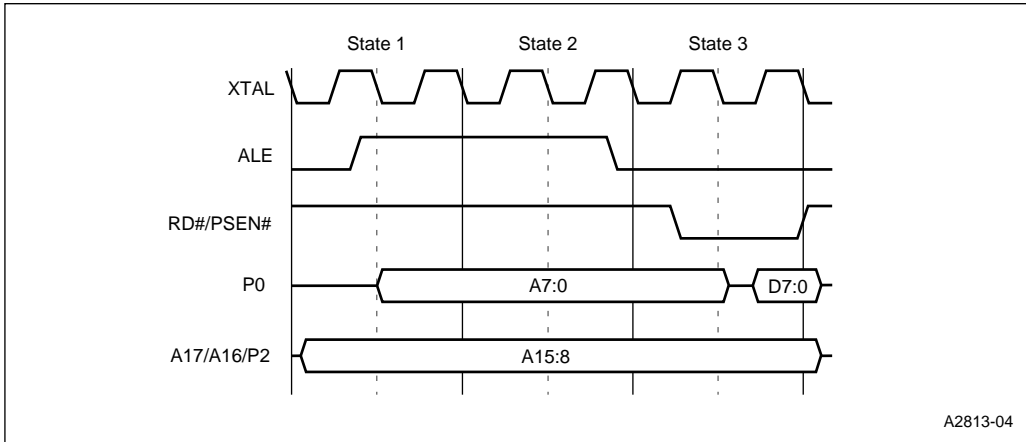


Figure 13-9. External Data Write (Nonpage Mode, One WR# Wait State)

### 13.4.2 Extending ALE

Figure 13-10 shows the nonpage mode code fetch external bus cycle with ALE extended. The wait state extends the bus cycle from two states to three. For read and write external bus cycles, the extended ALE extends the bus cycle from three states to four.

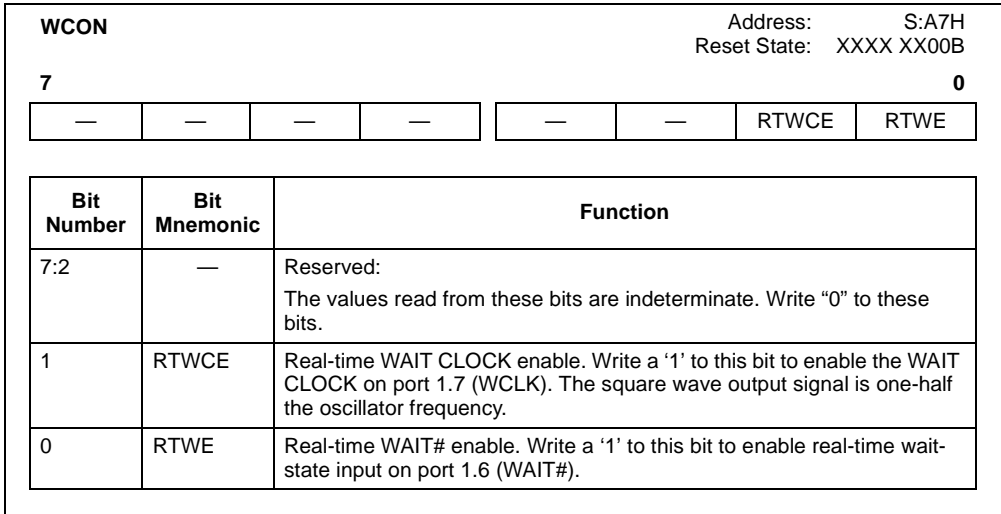


**Figure 13-10. External Code Fetch (Nonpage Mode, One ALE Wait State)**

### 13.5 EXTERNAL BUS CYCLES WITH REAL-TIME WAIT STATES

In addition to fixed-length wait states such as RD#/WR#/PSEN# and ALE, the 8XC251SA, SB, SP, SQ offers a real-time wait state. The programmer can dynamically adjust the delay of the real-time wait state by means of registers.

There are two ways of using real-time wait states; the WAIT# pin used as an input bus control and the WAIT# signal used in conjunction with the WCLK output signal. These two signals are enabled with the WCON special function register in the SFR space at S:0A7H. Refer to Figure 13-11.



**Figure 13-11. Real-time Wait State Control Register (WCON)**

**NOTE**

The WAIT# and WCLK signals are alternate functions for the port 1.6:7 input and output buffers. Use of other alternate functions may conflict with wait state operation.

When WAIT# is enabled, PCA module 3 is disabled and resumes operation only when the WAIT# function is disabled. The same relationship exists between WCLK and PCA module 4. It is not advisable to alternate between PCA operations and real-time wait-state operations at port 1.6 (CEX3/WAIT#) or port 1.7 (CEX4/WCLK).

Port 1.7 can also be enabled to drive address signal A17 in some memory designs. The A17 address signal always takes priority over other alternate functions (in this case, both PCA.4 and WCLK). Even if RTWCE is enabled in WCON.1, the WCLK output does not appear during bus cycles enabled to drive address A17. The use of WAIT# as an input on port 1.6 is unaffected by address signals.

### 13.5.1 Real-time WAIT# Enable (RTWE)

The real-time WAIT# input is enabled by writing a logical '1' to the WCON.0 (RTWE) bit at S:A7H. During bus cycles, the external memory system can signal "system ready" to the microcontroller in real time by controlling the WAIT# input signal on the port 1.6 input. Sampling of WAIT# is coincident with the activation of RD#/PSEN# or WR# signals driven low during a bus cycle. A 'not-ready' condition is recognized by the WAIT# signal held at  $V_{LL}$  by the external memory system. Use of PCA module 3 may conflict with your design. Do not use CEX3 interchangeably with the WAIT# signal on the port 1.3 input. Setup and hold times are illustrated in the 8XC251SA, SB, SP, SQ High-Performance CHMOS Microcontroller Datasheet.

### 13.5.2 Real-time WAIT CLOCK Enable (RTWCE)

The real-time WAIT CLOCK output is driven at port 1.7 (WCLK) by writing a logical '1' to the WCON.1 (RTWCE) bit at S:A7H. When enabled, the WCLK output produces a square wave signal with a period of one-half the oscillator frequency. Use of the programmable counter array (module 4) may conflict with your design. Do not use CEX4 interchangeably with WCLK output. Use of address signal A17 disables both WCLK and CEX4 operation at the port 1.7 output.

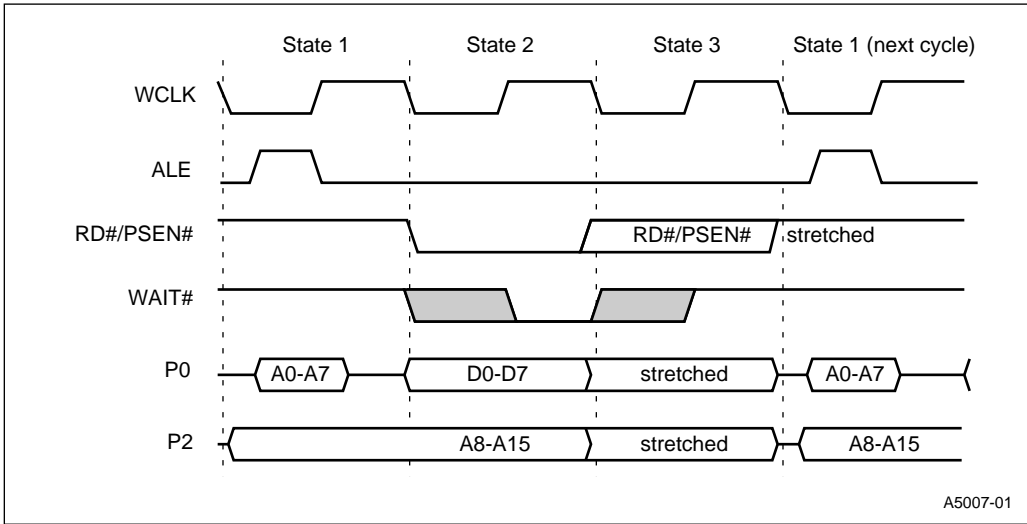
### 13.5.3 Real-time Wait State Bus Cycle Diagrams

Figure 13-12 shows the code fetch/data read bus cycle in nonpage mode. Figure 13-14 depicts the data read cycle in page mode.

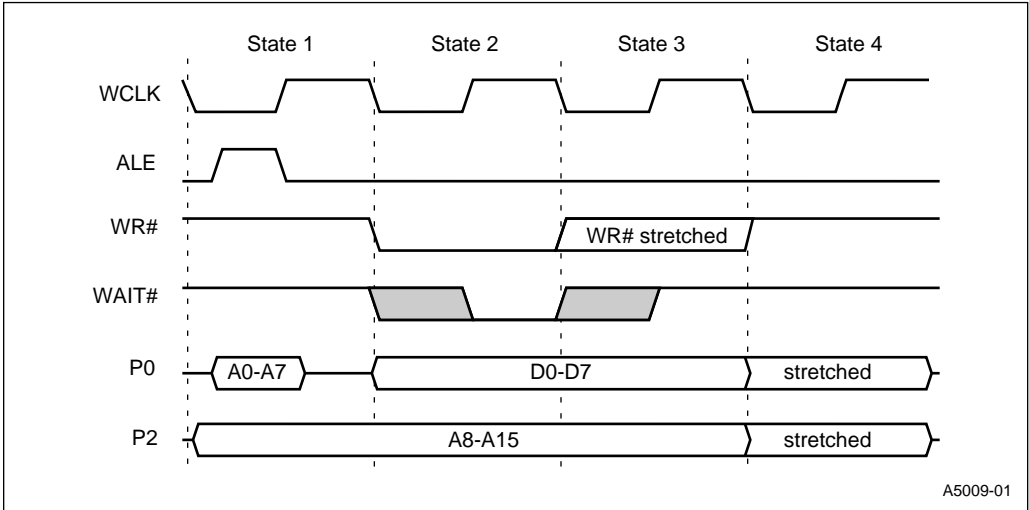
#### CAUTION

The real-time wait function has critical external timing for code fetch. For this reason, it is not advisable to use the real-time wait feature for code fetch in page mode.

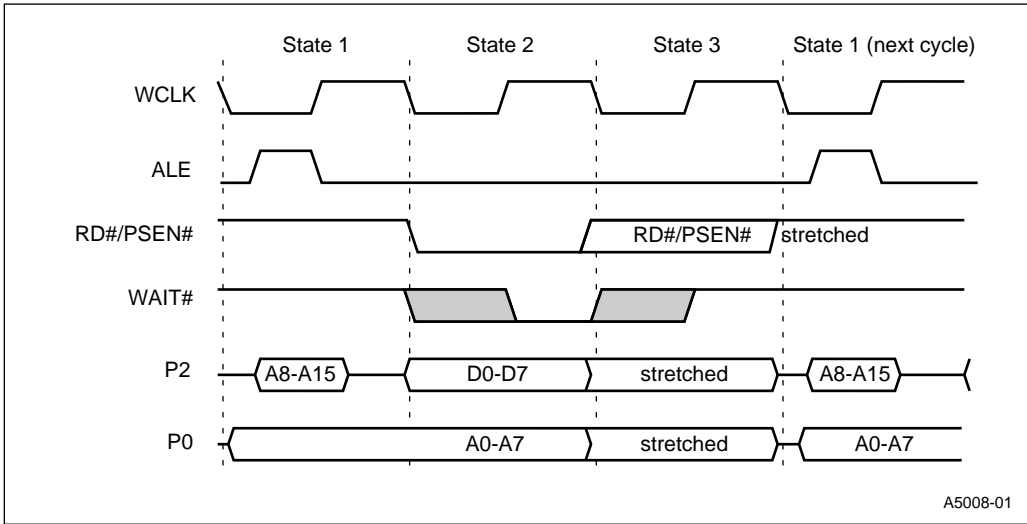
The data write bus cycle in nonpage mode is shown in Figure 13-13. Figure 13-15 shows the data write bus cycle in page mode.



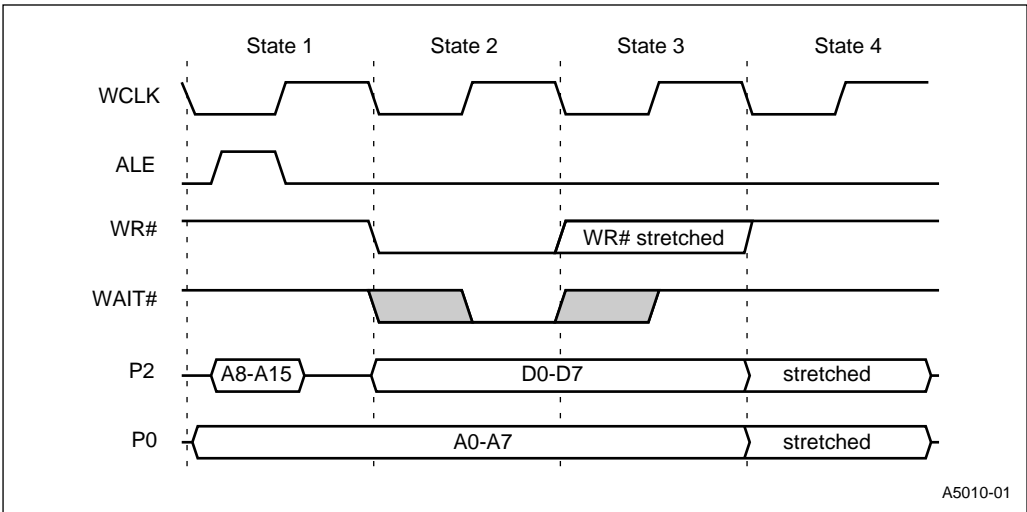
**Figure 13-12. External Code Fetch/Data Read (Nonpage Mode, RT Wait State)**



**Figure 13-13. External Data Write (Nonpage Mode, RT Wait State)**



**Figure 13-14. External Data Read (Page Mode, RT Wait State)**



**Figure 13-15. External Data Write (Page Mode, RT Wait State)**

### 13.6 CONFIGURATION BYTE BUS CYCLES

If EA# = 0, devices obtain configuration information from a configuration array in external memory. This section describes the bus cycles executed by the reset routine to fetch user configuration bytes from external memory. Configuration bytes are discussed in Chapter 4, “Device Configuration.”

To determine whether the external memory is set up for page mode or nonpage mode operation, the 8XC251Sx accesses external memory using internal address FF:FFF8H (UCONFIG0). See states 1–4 in Figure 13-16. If the external memory is set up for page mode, it places UCONFIG0 on P2 as D7:0, overwriting A15:8 (FFH). If external memory is set up for nonpage mode, A15:8 is not overwritten. The 8XC251Sx examines P2 bit 1. Subsequent configuration byte fetches are in page mode if P2.1 = 0 and in nonpage mode if P2.1 = 1. The 8XC251Sx fetches UCONFIG0 again (states 5–8 in Figure 13-16) and then UCONFIG1 via internal address FF:FFF9H.

The configuration byte bus cycles always execute with ALE extended and one PSEN# wait state.

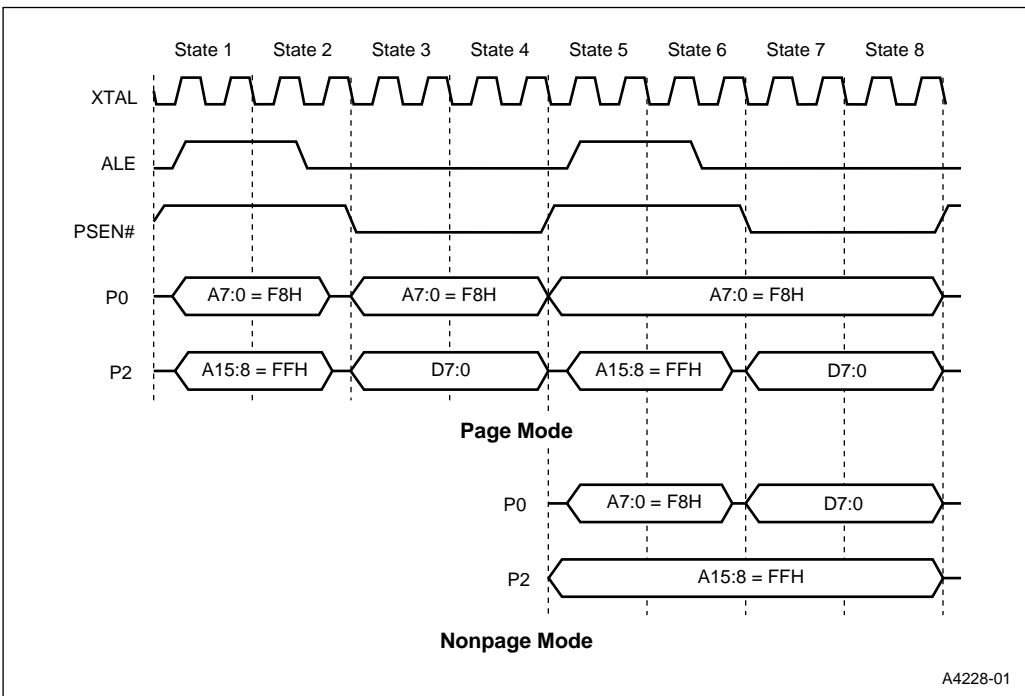


Figure 13-16. Configuration Byte Bus Cycles

## 13.7 PORT 0 AND PORT 2 STATUS

This section summarizes the status of the port 0 and port 2 pins when these ports are used as the external bus. A more comprehensive description of the ports and their use is given in Chapter 7, “Input/Output Ports.”

When port 0 and port 2 are used as the external memory bus, the signals on the port pins can originate from three sources:

- the 8XC251Sx CPU (address bits, data bits)
- the port SFRs: P0 and P2 (logic levels)
- an external device (data bits)

The port 0 pins (but not the port 2 pins) can also be held in a high-impedance state. Table 13-3 lists the status of the port 0 and port 2 pins when the chip in is the normal operating mode and the external bus is idle or executing a bus cycle.

**Table 13-3. Port 0 and Port 2 Pin Status In Normal Operating Mode**

Port	8-bit/16-bit Addressing	Nonpage Mode		Page Mode	
		Bus Cycle	Bus Idle	Bus Cycle	Bus Idle
Port 0	8 or 16	AD7:0 (1)	High Impedance	A7:0 (1)	High Impedance
Port 2	8	P2 (2)	P2	P2/D7:0 (2)	High Impedance
	16	A15:8	P2	A15:8/D7:0	High Impedance

**NOTES:**

1. During external memory accesses, the CPU writes FFH to the P0 register and the register contents are lost.
2. The P2 register can be used to select 256-byte pages in external memory.

### 13.7.1 Port 0 and Port 2 Pin Status in Nonpage Mode

In nonpage mode, the port pins have the same signals as those on the 8XC51FX. For an external memory instruction using a 16-bit address, the port pins carry address and data bits during the bus cycle. However, if the instruction uses an 8-bit address (e.g., MOVX @Ri), the contents of P2 are driven onto the pins. These pin signals can be used to select 256-bit pages in external memory.

During a bus cycle, the CPU always writes FFH to P0, and the former contents of P0 are lost. A bus cycle does not change the contents of P2. When the bus is idle, the port 0 pins are held at high impedance, and the contents of P2 are driven onto the port 2 pins.



### 13.7.2 Port 0 and Port 2 Pin Status in Page Mode

In a page-mode bus cycle, the data is multiplexed with the upper address byte on port 2. However, if the instruction uses an 8-bit address (e.g., `MOVX @Ri`), the contents of P2 are driven onto the pins when data is not on the pins. These logic levels can be used to select 256-bit pages in external memory. During bus idle, the port 0 and port 2 pins are held at high impedance.

(For port pin status when the chip is in idle mode, powerdown mode, or reset, see Chapter 12, “Special Operating Modes.”)

### 13.8 EXTERNAL MEMORY DESIGN EXAMPLES

This section presents several external memory designs for 8XC251 $x$  systems. These examples illustrate the design flexibility provided by the configuration options, especially for the PSEN# and RD# signals. Many designs are possible. The examples employ the 8XC251SB but also apply to SA, SP, and SQ devices if the differences in on-chip memory are allowed for. The first example is an exception; it employs an 18-bit external address bus. For a general discussion on external memory see “Configuring the External Memory Interface” on page 4-8. Figure 4-5 on page 4-10 and Figure 4-6 on page 4-11 depict the mapping of internal memory space into external memory.

#### 13.8.1 Example 1: RD1:0 = 00, 18-bit Bus, External Flash and RAM

In this example, an 80C251SB operates in page mode with an 18-bit external address bus interfaced to 128 Kbytes of external flash memory and 128 Kbytes of external RAM (Figure 13-17). Figure 13-18 shows how the external flash and RAM are addressed in the internal address space. On-chip data RAM (1056 bytes) occupies the lowest addresses in region 00:

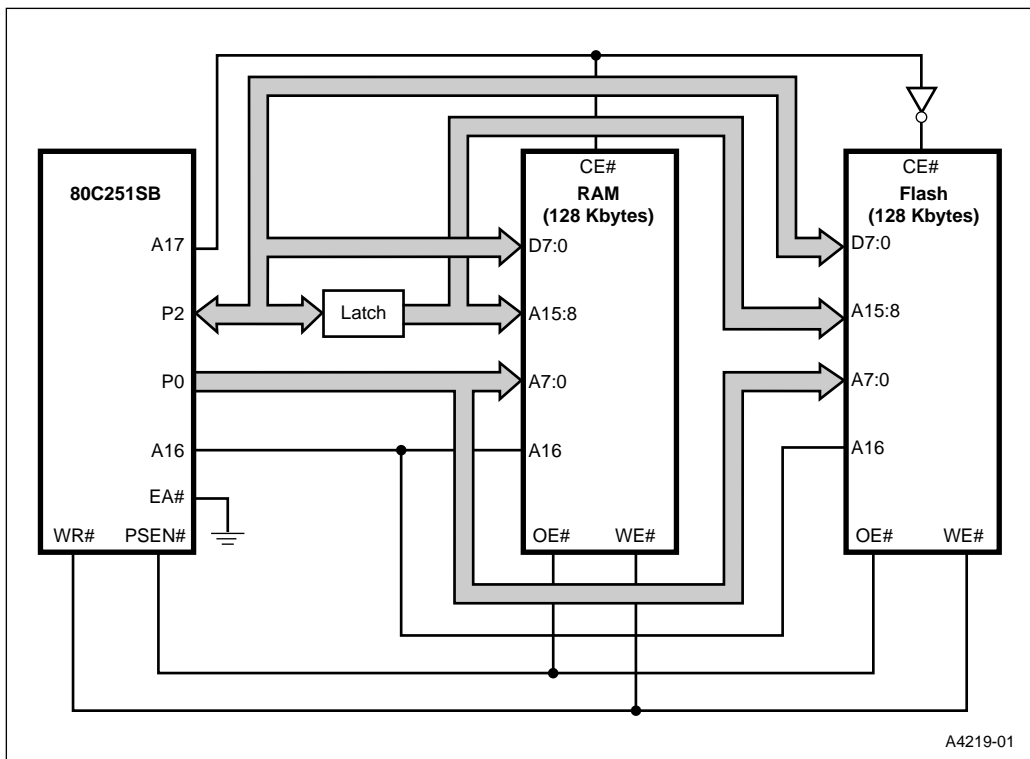


Figure 13-17. Bus Diagram for Example 1: 80C251SB in Page Mode

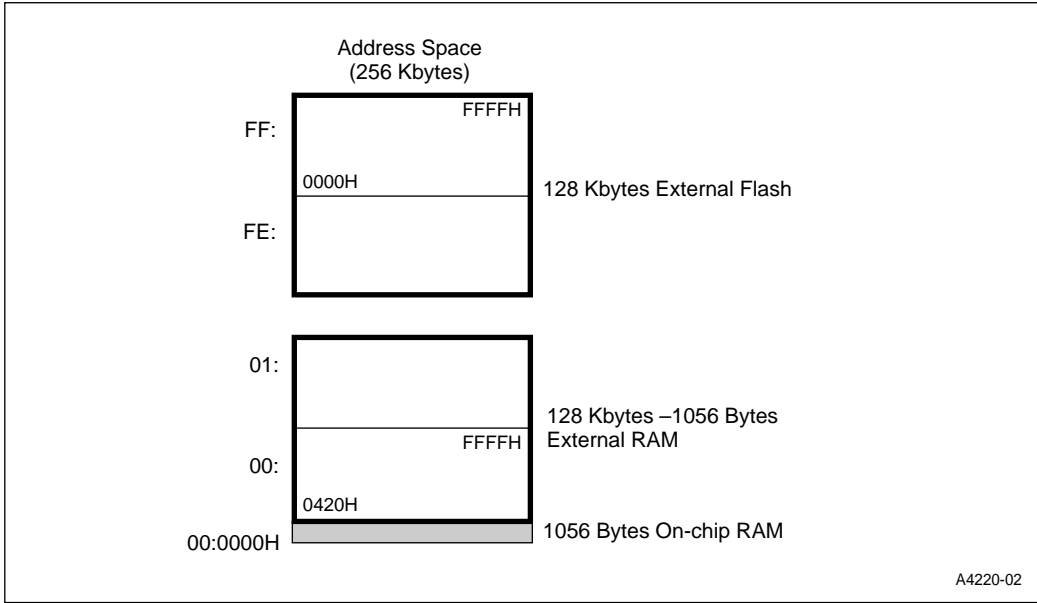


Figure 13-18. Address Space for Example 1

### 13.8.2 Example 2: RD1:0 = 01, 17-bit Bus, External Flash and RAM

In this example, an 80C251SB operates in page mode with a 17-bit external address bus interfaced to 64 Kbytes of flash memory for code storage and 32 Kbytes of external RAM (Figure 13-19). The 80C251SB is configured so that PSEN# is asserted for all reads, and RD# functions as A16 (RD1:0 = 01). Figure 13-20 shows how the external flash and RAM are addressed in the internal address space. Addresses 0420H–7FFFH in external RAM are addressed in region 00:. On-chip data RAM (1056 bytes) occupies the lowest addresses in region 00:.

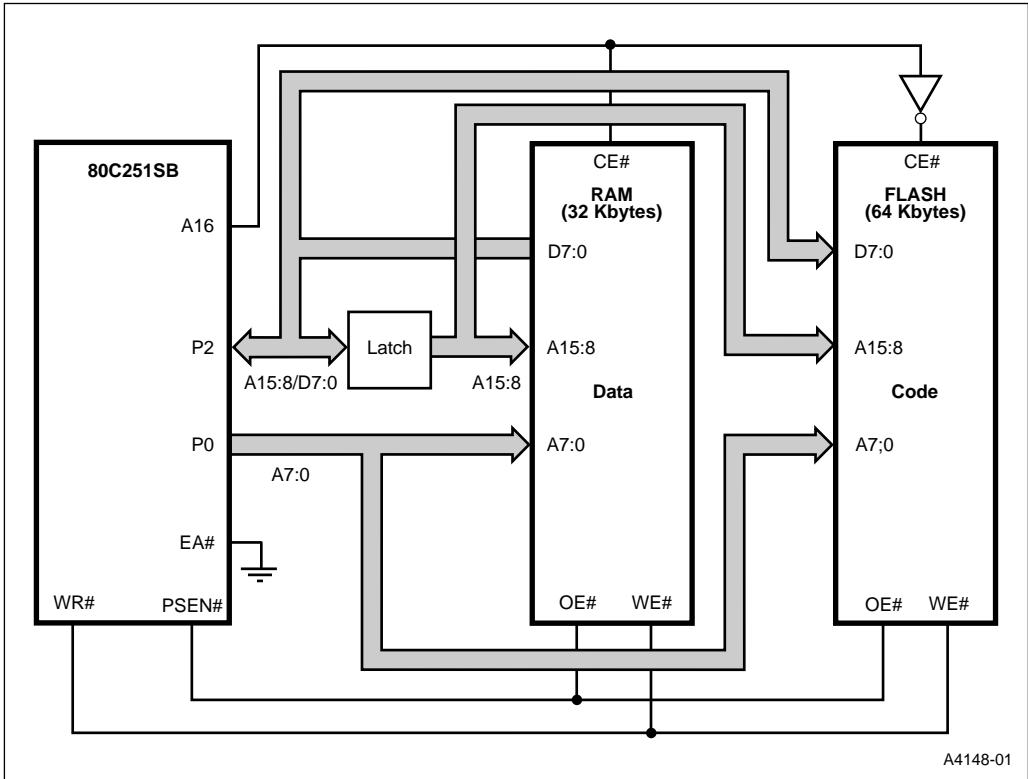


Figure 13-19. Bus Diagram for Example 2: 80C251SB in Page Mode

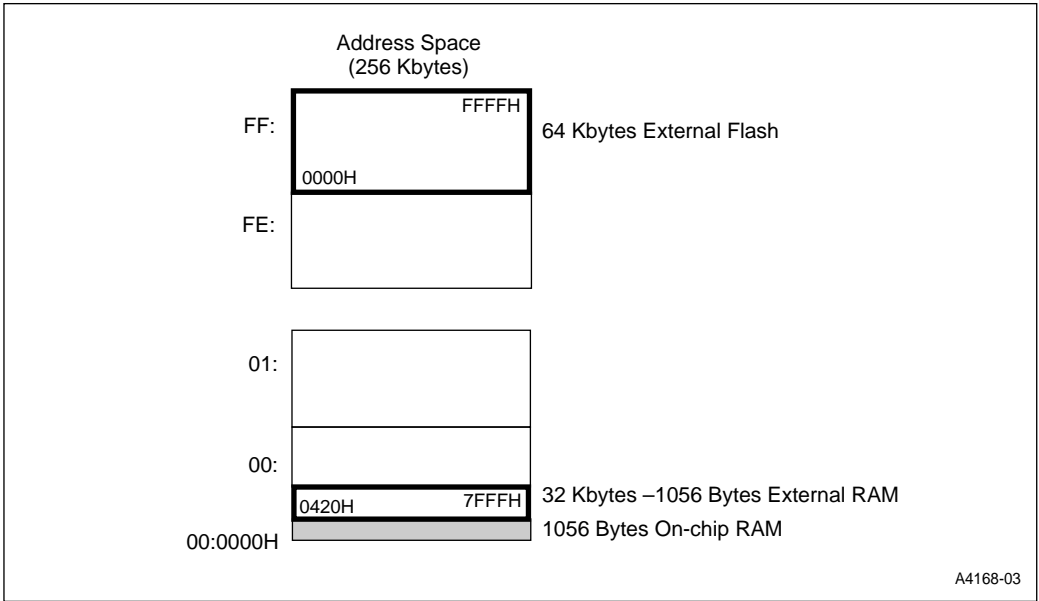


Figure 13-20. Address Space for Example 2

### 13.8.3 Example 3: RD1:0 = 01, 17-bit Bus, External RAM

In this example, an 87C251SB/83C251SB operates in nonpage mode with a 17-bit external address bus interfaced to 128 Kbytes of external RAM (Figure 13-21). The 87C251SB/83C251SB is configured so that RD# functions as A16, and PSEN# is asserted for all reads. Figure 13-22 shows how the external RAM is addressed in the internal address space.

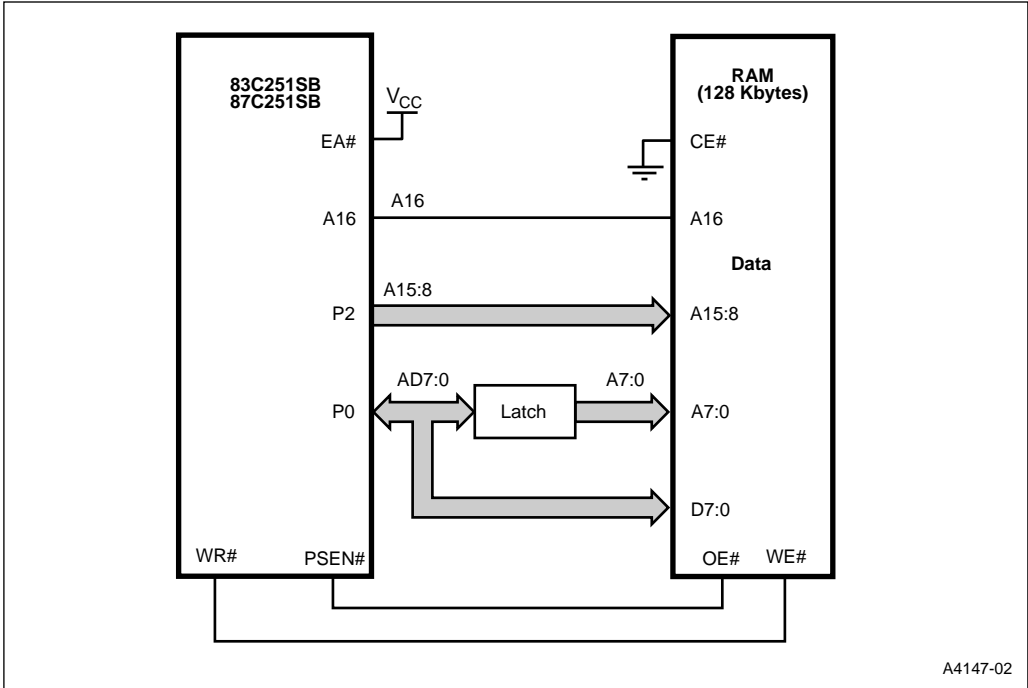


Figure 13-21. Bus Diagram for Example 3: 87C251SB/83C251SB in Nonpage Mode

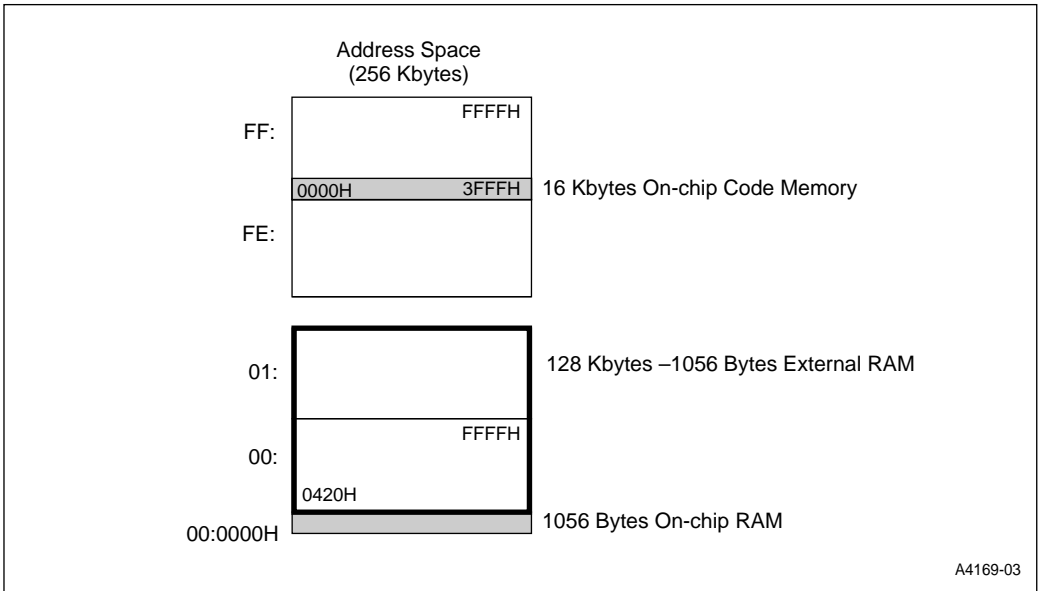


Figure 13-22. Address Space for Example 3

### 13.8.4 Example 4: RD1:0 = 10, 16-bit Bus, External RAM

In this example, an 87C251SB/83C251SB operates in nonpage mode with a 16-bit external address bus interfaced to 64 Kbytes of RAM (Figure 13-23). This configuration leaves P3.7/RD#/A16 available for general I/O (RD1:0 = 10). A maximum of 64 Kbytes of external memory can be used and all regions of internal memory map into the single 64-Kbyte region in external memory (see Figure 4-6 on page 4-11). User code is stored in on-chip ROM/OTPROM/EPROM.

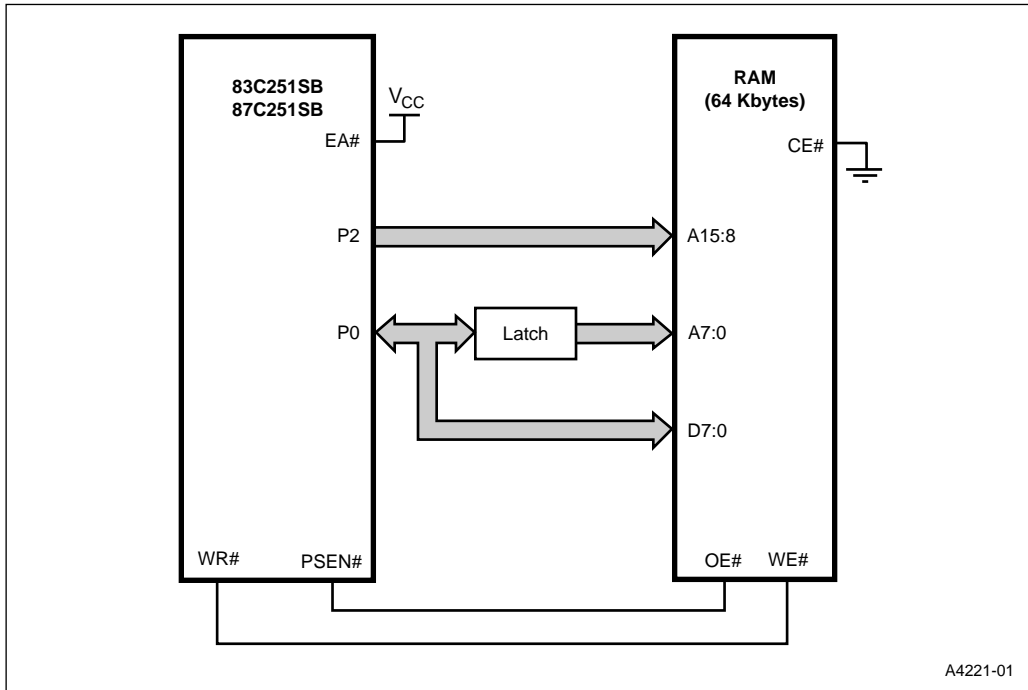


Figure 13-23. Bus Diagram for Example 4: 87C251SB/83C251SB in Nonpage Mode



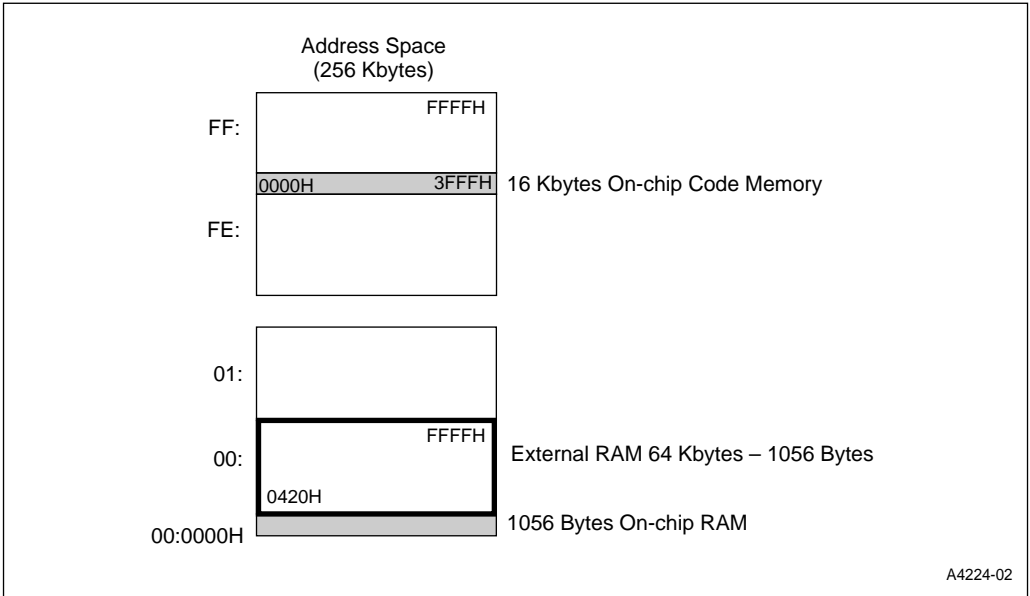


Figure 13-24. Address Space for Example 4

### 13.8.5 Example 5: RD1:0 = 11, 16-bit Bus, External EPROM and RAM

In this example, an 80C251SB operates in nonpage mode with a 16-bit external address bus interfaced to 64 Kbytes of EPROM and 64 Kbytes of RAM (Figure 13-25). The 80C251SB is configured so that RD# is asserted for addresses  $\leq 7F:FFFFH$  and PSEN# is asserted for addresses  $\geq 80:0000H$ . Figure 13-26 shows two ways to address the external memory in the internal memory space.

Addressing external RAM locations in either region 00: or region 01: produces the same address at the external bus pins. However, if the external EPROM and the external RAM require different numbers of wait states, the external RAM must be addressed entirely in region 01:. Recall that the number of wait states for region 01: is independent of the remaining regions and always have the same number of wait states (see Table 4-3 on page 4-13) unless the real-time wait states are selected (see Figure 13-11 on page 13-11).

The examples that follow illustrate two possibilities for addressing the external RAM.

#### 13.8.5.1 An Application Requiring Fast Access to the Stack

If an application requires fast access to the stack, the stack can reside in the fast on-chip data RAM (00:0020H–00:041FH) and, when necessary, roll out into the slower external RAM. See the left side of Figure 13-26. In this case, the external RAM can have wait states only if the EPROM has wait states. Otherwise, if the stack rolls out above location 00:041FH, the external RAM would be accessed with no wait state.

#### 13.8.5.2 An Application Requiring Fast Access to Data

If fast access to a block of data is more important than fast access to the stack, the data can be stored in the on-chip data RAM, and the stack can be located entirely in external memory. If the external RAM requires a different number of wait states than the EPROM, address the external RAM entirely in region 01:. See the right side of Figure 13-26. Addresses above 00:041FH roll out to external memory beginning at 0420H.

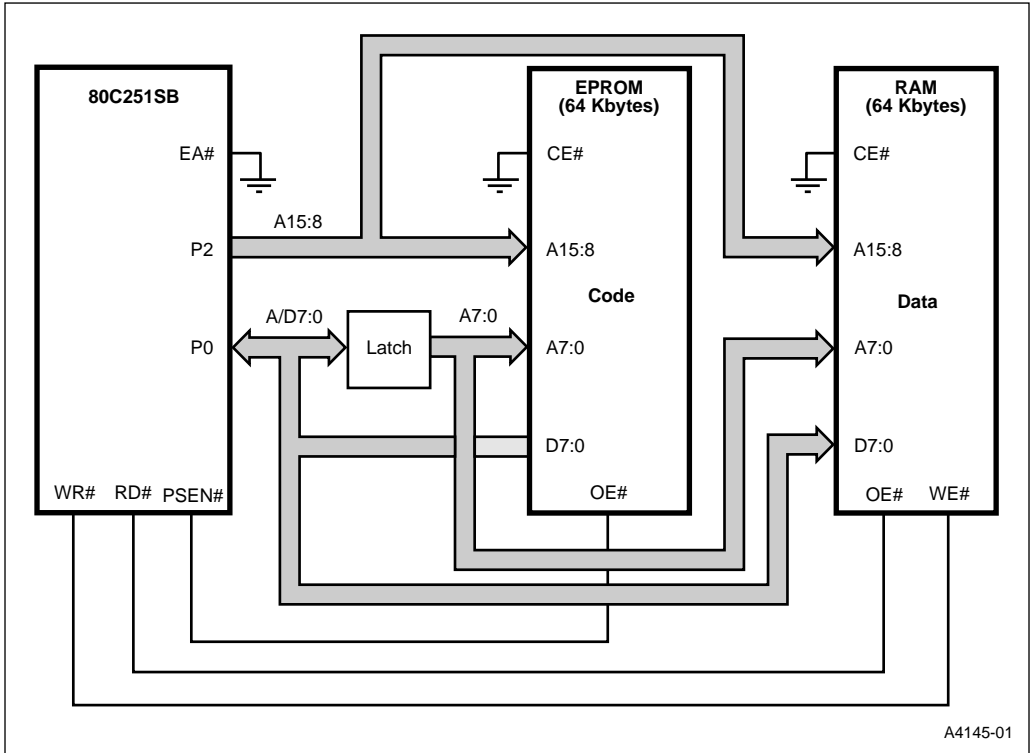
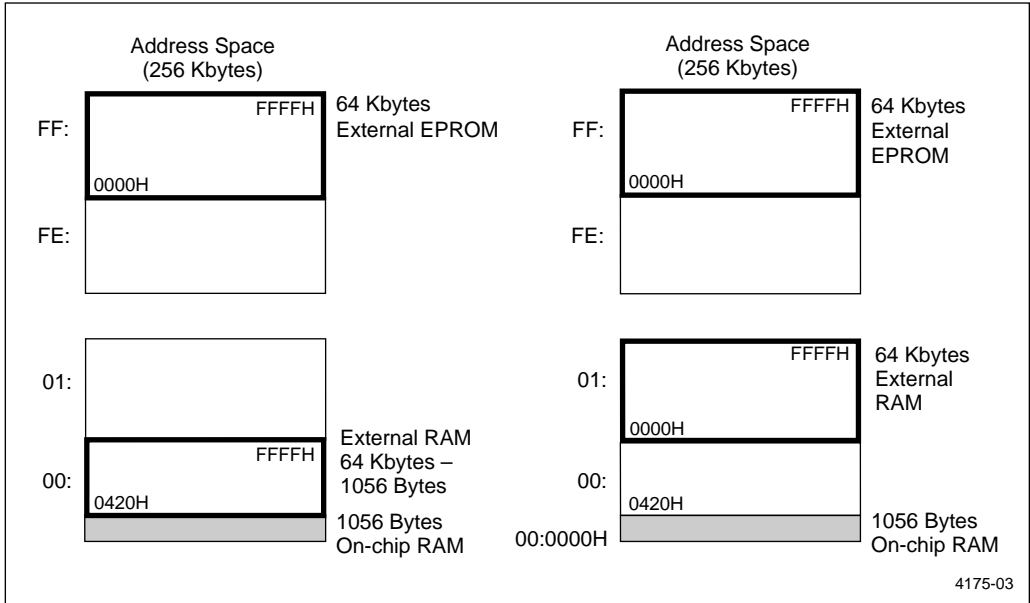


Figure 13-25. Bus Diagram for Example 5: 80C251SB in Nonpage Mode



**Figure 13-26. Address Space for Examples 5 and 6**



### 13.8.7 Example 7: RD1:0 = 01, 17-bit Bus, External Flash

In this example, an 80C251SB operates in page mode with a 17-bit external address bus interfaced to 128 Kbytes of flash memory (Figure 13-28). Port 2 carries both the upper address bits (A15:0) and the data (D7:0), while port 0 carries only the lower address bits (A7:0). The 80C251SB is configured for a single read signal (PSEN#). The 128 Kbytes of external flash are accessed via internal memory regions FE: and FF: in the internal address space.

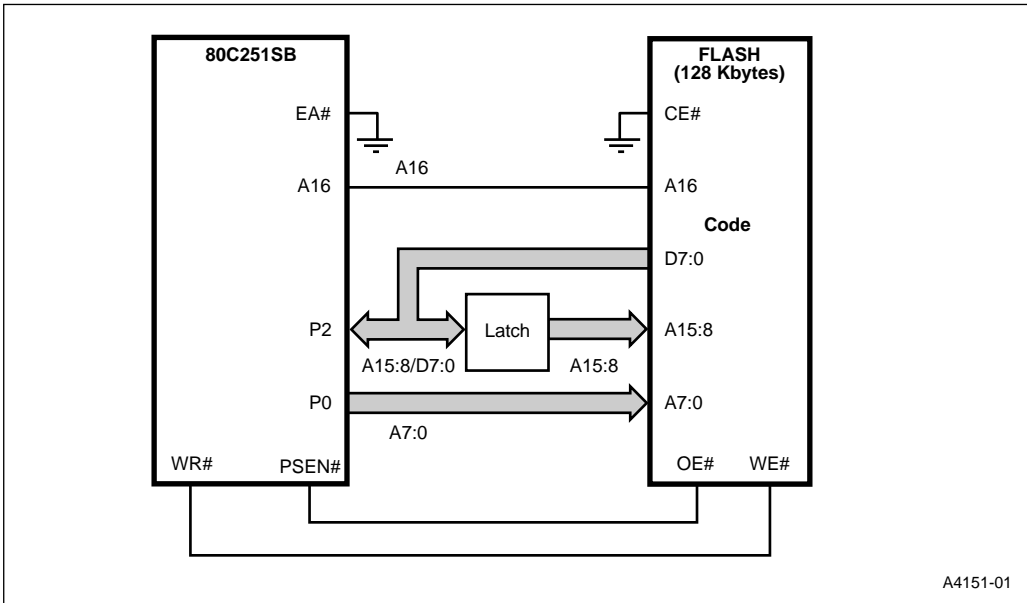


Figure 13-28. Bus Diagram for Example 7: 80C251SB in Page Mode



**14**

# **Programming and Verifying Nonvolatile Memory**







# CHAPTER 14

## PROGRAMMING AND VERIFYING NONVOLATILE MEMORY

This chapter provides instructions for programming and verifying on-chip nonvolatile memory on the 8XC251Sx. The programming instructions cover the entry of program code into on-chip code memory, configuration information into the on-chip configuration bytes, and other categories of information into on-chip memory outside the memory address space. The verify instructions permit reading these memory locations to verify their contents. The operations covered in this chapter are:

- programming and verifying the on-chip code memory (8 Kbytes, 16 Kbytes)
- programming and verifying the on-chip configuration bytes (8 bytes)
- programming and verifying the lock bits (3 bits)
- programming the encryption array (128 bytes)
- verifying the signature bytes (3 bytes)

Programming instructions apply to the 87C251Sx (one-time programmable ROM (OTPROM) and erasable programmable ROM (EPROM)). Verify instructions apply to the 87C251Sx, the 83C251Sx (mask ROM), and the configuration bytes on the 80C251SB, SQ (no ROM/OTPROM/EPROM). In the unprogrammed state, EPROM and OTPROM contains all 1s.

### 14.1 GENERAL

The 87C251Sx is programmed and verified in the same manner as the 87C51FX, using the same quick-pulse programming algorithm, which programs at  $V_{pp} = 12.75$  V using a series of five 100- $\mu$ s PROG# pulses per byte. This results in a programming time of approximately 16 seconds for the 16-Kbyte on-chip code memory.

Programming and verifying operations differ from normal microcontroller operation. Memory accesses are made one byte at a time, input/output ports are used in a different manner, and the EA#/V<sub>pp</sub> and ALE/PROG# pins are used for their alternative (programming) functions. For a complete list of signal descriptions, see Appendix B.

In some microcontroller applications, it is desirable that user program code be secure from unauthorized access. The 8XC251Sx offers two types of protection for program code stored in the on-chip array.

- Program code in the on-chip code memory is encrypted when read out for verification if the encryption array is programmed.
- A three-level lock bit system restricts external access to the on-chip code memory.

### 14.1.1 Programming Considerations for On-chip Code Memory

It is recommended that user program code be located starting at address FF:0100H. Since the first instruction following device reset is fetched from FF:0000H, use a jump instruction to FF:0100H to begin execution of the user program. For information on address spaces, see Chapter 3.

The top eight bytes of the memory address space (FF:FFF8H–FF:FFFFH) are reserved for device configuration. Do not read or write user code at these locations. For EA# = 1, the reset routine obtains configuration information from a configuration array located these addresses. For EA# = 0, the reset routine obtains configuration information from a configuration array in external memory using these internal addresses. For a detailed discussion of device configuration, see Chapter 4.

ROM/OTPROM/EPROM devices have on-chip user code memory at FF:0000–FF:1FFFH (8 Kbytes) or FF:0000H–FF:3FFFH (16 Kbytes). Addresses outside these ranges access external memory. With EA# = 1 and both on-chip and external code memory, you can place code at the highest addresses of the on-chip ROM/OTPROM/EPROM. When the highest on-chip address is exceeded during execution, code fetches automatically rollover from on-chip memory to external memory. See the notes on pipelining in section 3.2.2, “On-chip Code Memory (83C251SA, SB, SP, SQ/87C251SA, SB, SP, SQ).”

With EA# = 1 and only on-chip code memory, multi-byte instructions and instructions that result in call returns or prefetches should be located a few bytes below the maximum address to avoid inadvertently exceeding the top address. Use an EJMP instruction, five or more addresses below the top of memory, to continue execution in other areas of memory. See the note on pipelining in section 3.2.2, “On-chip Code Memory (83C251SA, SB, SP, SQ/87C251SA, SB, SP, SQ).”

#### CAUTION

Execution of user code located in the top few bytes of the on-chip user memory may cause prefetches from the next higher addresses, i.e. external memory. External memory fetches make use of port 0 and port 3 and may disrupt program execution if the program uses port 0 or port 3 for a different purpose.

### 14.1.2 EPROM Devices

On EPROM devices, the quartz window must be covered with an opaque label when the device is in operation. This is not so much to protect the EPROM array from inadvertent erasure, as to protect the RAM and other on-chip logic. Allowing light to impinge on the silicon die during device operation may cause a logical malfunction.

## 14.2 PROGRAMMING AND VERIFYING MODES

Table 14-1 lists the programming and verifying modes and provides details about the setup. The value applied to port 0 determines the mode. The upper digit specifies program or verify and the lower digit selects what memory function is programmed (e.g., on-chip code memory, encryption array, configuration bytes, etc.). The addresses applied to port 1 and port 3 address locations in the selected memory function. The encryption array, lock bits, and signature bytes reside in non-volatile memory outside the memory address space. Configuration bytes (UCONFIG0 and UCONFIG1) reside in nonvolatile memory at top of the memory address space for ROM/OTPROM/EPROM devices (Figure 4-1 on page 4-2) and in external memory for devices without ROM/OTPROM/EPROM (Figure 4-2 on page 4-3).

## 14.3 GENERAL SETUP

Figure 14-1 shows the general setup for programming and verifying nonvolatile memory on the 87C251Sx. The figure also applies to verifying the 83C251Sx and reading the configuration bytes on the 80C251SB, and the 80C251SQ.

The controller must be running with an oscillator frequency of 4 MHz to 6 MHz. To program, set up the controller as shown in Table 14-1 with the mode of operation (program/verify and memory area) specified on port 0, the address with respect to the starting address of the memory area applied to ports 1 and 3, and the data on port 2. Apply a logic high to the RST pin and  $V_{CC}$  to EA#/V<sub>pp</sub>. ALE/PSEN#, normally an output pin, must be held low externally.

To perform the write operation, raise V<sub>pp</sub> to 12.75 V and pulse the PROG# pin per Table 14-1. Then return V<sub>pp</sub> to 5 V. Verification is performed in a similar manner but without increasing V<sub>pp</sub> and without pulsing PROG#. Figure 14-2 shows the program and verify bus cycle waveforms. For waveform timing information, refer to the 8XC251SA, SB, SP, SQ High-Performance CHMOS Microcontroller Datasheet.

### CAUTION

The V<sub>pp</sub> source must be well regulated and free of glitches. The voltage on the V<sub>pp</sub> pin must not exceed the specified maximum, even under transient conditions. See the current data sheet.

Table 14-1. Programming and Verifying Modes

Mode	RST	PSEN#	V <sub>PP</sub>	PROG#	Port 0	Port 2	Address Port 1 (high) Port 3 (low)	Notes
Program Mode. On-chip Code Memory 8K 87C251SA,SP 16K 87C251SB,SQ	High	Low	5 V, 12.75 V	5 Pulses	68H	data	0000H-1FFFH 0000H-3FFFH	1, 4
Verify Mode. On-chip Code Memory 8K 87/83C251SA,SP 16K 87/83C251SB,SQ	High	Low	5 V	High	28H	data	0000H-1FFFH 0000H-3FFFH	4
Program Mode. Configuration Bytes (UCONFIG0, UCONFIG1) 87C251Sx	High	Low	5 V, 12.75 V	5 Pulses	69H	data	FFF8H-FFFFH	1, 4
Verify Mode. Configuration Bytes (UCONFIG0, UCONFIG1) 8XC251Sx	High	Low	5 V	High	29H	data	FFF8H-FFFFH	4
Program Mode. Lock Bits 87C251Sx	High	Low	5 V, 12.75 V	25 Pulses	6BH	data	0001H-0003H	1, 2
Verify Mode. Lock bits 87C251Sx, 83C251Sx	High	Low	5 V	High	2BH	data	0000H	3
Program Mode. Encryption Array 87C251Sx	High	Low	5 V, 12.75 V	25 Pulses	6CH	data	0000H-007FH	1
Verify Mode. Signature Bytes 87C251Sx, 83C251Sx	High	Low	5 V	High	29H	data	0030H, 0031H, 0060H, 0061H	

**NOTES:**

- To program, raise V<sub>pp</sub> to 12.75 V and pulse the PROG# pin. See Figure 14-2 for waveforms.
- No data input. Identify the lock bits with the address lines as follows: LB3 - 0003H, LB2 - 0002H, LB1 - 0001H.
- The three lock bits are verified in a single operation. The states of the lock bits appear simultaneously at port 2 as follows: LB3 - P2.3, LB2 - P2.2. LB1 - P2.1. High = programmed.
- For these modes, the internal address is FF:xxxxH.

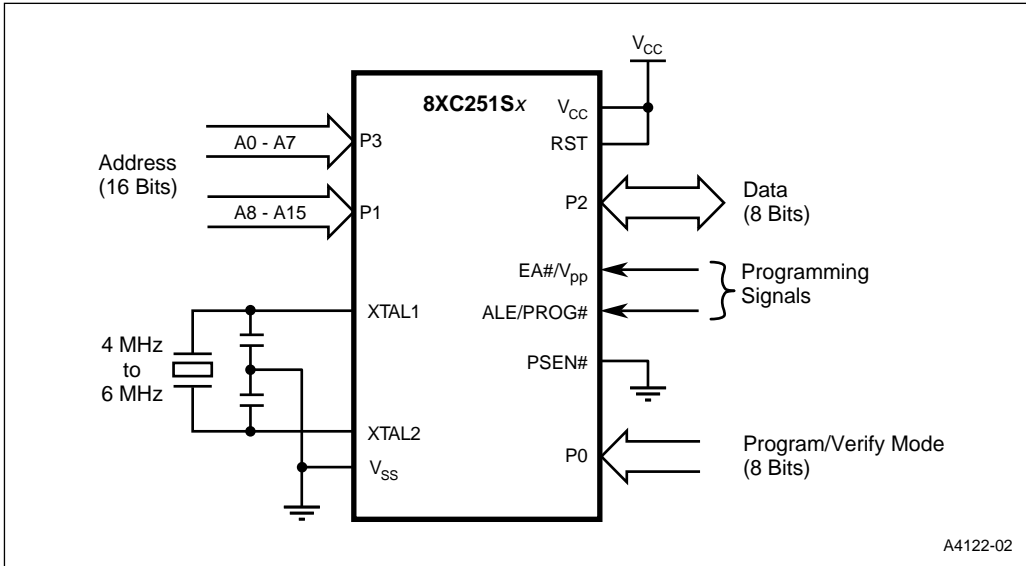
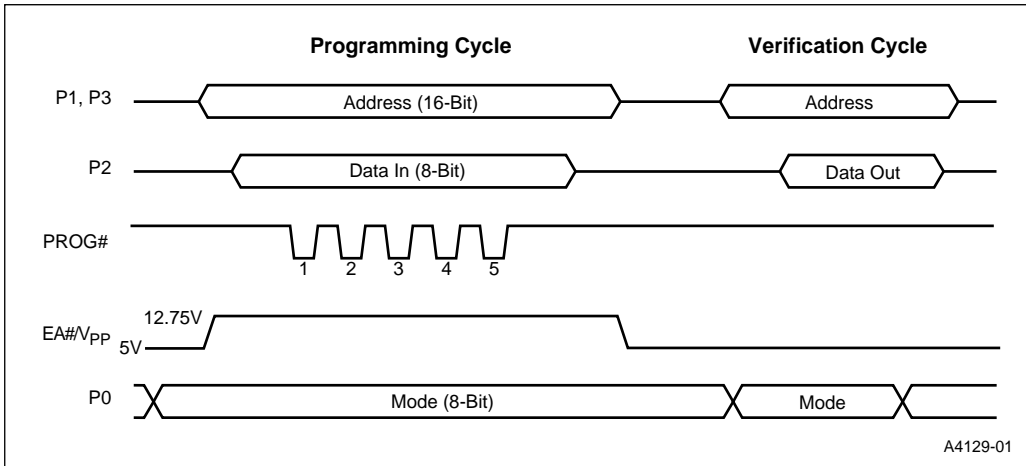


Figure 14-1. Setup for Programming and Verifying Nonvolatile Memory

### 14.4 PROGRAMMING ALGORITHM

The procedure for programming the 87C251Sx is as follows:

1. Set up the controller for operation in the appropriate mode according to Table 14-1.
2. Input the 16-bit address on ports 1 and 3.
3. Input the data byte on port 2.
4. Raise the voltage on the  $V_{pp}$  pin from 5 V to 12.75 V.
5. Pulse the PROG# pin 5 times for the on-chip code memory and the configuration bytes, and 25 times for the encryption array and the lock bits.
6. Reduce the voltage on the  $V_{pp}$  pin to 5 V.
7. If the procedure is program/immediate-verify, go to section 14.5, “Verify Algorithm,” and perform steps 1 through 4 to verify the currently addressed byte. Make sure the voltage on the EA#/ $V_{pp}$  pin has been lowered to 5 V before performing the verifying procedure.
8. Repeat steps 1 through 7 until all memory locations are programmed.



**Figure 14-2. Program/Verify Bus Cycles**

## 14.5 VERIFY ALGORITHM

Use this procedure to verify user program code, signature bytes, configuration bytes, and lock bits stored in nonvolatile memory on the 8XC251Sx. To preserve the secrecy of the encryption key byte sequence, the encryption array cannot be verified. Verification can be performed on bytes as they are programmed, or on a block of bytes that have been previously programmed. The procedure for verifying the 8XC251Sx is as follows:

1. Set up the controller for operation in the appropriate mode according to Table 14-1.
2. Input the 16-bit address on ports P1 and P3.
3. Wait for the data on port P2 to become valid ( $T_{AVQV} = 48$  clock cycles — see the datasheet), then compare the data with the expected value.
4. If the procedure is program/immediate-verify, return to step 8 of 14.4, “Programming Algorithm,” to program the next byte.
5. Repeat steps 1 through 5 until all memory locations are verified.

## 14.6 PROGRAMMABLE FUNCTIONS

This section discusses factors related to programming and verifying the various nonvolatile memory functions.

### 14.6.1 On-chip Code Memory

On-chip code memory is located in the top region of the memory space starting at address FF:0000H. At reset, the 87C251Sx and 83C251Sx devices vector to this address. See Chapter 3, “Address Spaces,” for detailed information on the 8XC251Sx address space.

To enter user program code and data in the on-chip code memory, perform the procedure described in 14.4, “Programming Algorithm,” using the program on-chip code memory mode (Table 14-1).

To verify that the on-chip code memory is correctly programmed, perform the procedure described in section 14.5, “Verify Algorithm,” using the verify on-chip code memory mode (Table 14-1).

### 14.6.2 Configuration Bytes

The 87C251Sx and 83C251Sx store configuration information in an eight-byte configuration array at FF:FFF8H–FF:FFFFH. UCONFIG0 (FF:FFF8H) and UCONFIG1 (FF:FFF9H) are implemented; the remaining bytes are reserved for future use. See Figure 4-1 on page 4-2, Figure 4-3 on page 4-6, and Figure 4-4 on page 4-7.

To program the 87C251Sx configuration bytes, perform the procedure described in 14.4, “Programming Algorithm,” using the program configuration byte mode (Table 14-1).

To verify the 87C251Sx, 83C251Sx, or 80C251SB, SQ configuration bytes, perform the procedure described in 14.5, “Verify Algorithm,” using the verify configuration byte mode (Table 14-1).

### 14.6.3 Lock Bit System

The 87C251Sx provides a three-level lock system for protecting user program code stored in the on-chip code memory from unauthorized access. On the 83C251Sx, only LB1 protection is available. Table 14-2 describes the levels of protection.

To program the lock bits, perform the procedure described in 14.4, “Programming Algorithm,” using the program lock bits mode (Table 14-1).

To verify that the lock bits are correctly programmed, perform the procedure described in 14.5, “Verify Algorithm,” using the verify lock bits mode (Table 14-1).

Table 14-2. Lock Bit Function

	Lock Bits Programmed			Protection Type
	LB3	LB2	LB1	
Level 1	U	U	U	No program lock features are enabled. On-chip user code is encrypted when verified, if encryption array is programmed.
Level 2	U	U	P	External code is prevented from fetching code bytes from on-chip code memory. Further programming of the on-chip OTPROM is disabled.
Level 3	U	P	P	Same as level 2, plus on-chip code memory verify is disabled.
Level 4	P	P	P	Same as level 3, plus external memory execution is disabled.
<b>NOTE:</b> Other combinations of the lock bits are not defined.				

#### 14.6.4 Encryption Array

The 87C251Sx and 83C251Sx controllers include a 128-byte encryption array located in nonvolatile memory outside the memory address space. During verification of the on-chip code memory, the seven low-order address bits also address the encryption array. As the byte of the code memory is read, it is exclusive-NOR'ed (XNOR) with the key byte from the encryption array. If the encryption array is not programmed (still all 1s), the user program code is placed on the data bus in its original, unencrypted form. If the encryption array is programmed with key bytes, the user program code is encrypted and can't be used without knowledge of the key byte sequence.

#### CAUTION

If the encryption feature is implemented, the portion of the on-chip code memory that does not contain program code should be filled with "random" byte values other than FFH to prevent the encryption key sequence from being revealed.

To program the encryption array, perform the procedure described in section 14.4, "Programming Algorithm," using the program encryption array mode (Table 14-1).

To preserve the secrecy of the encryption key byte sequence, the encryption array can not be verified.

#### 14.6.5 Signature Bytes

The 87C251Sx and 83C251Sx contain factory-programmed signature bytes. These bytes are located in nonvolatile memory outside the memory address space at 30H, 31H, 60H, and 61H. To read the signature bytes, perform the procedure described in 14.5, "Verify Algorithm," using the verify signature mode (Table 14-1). Signature byte values are listed in Table 14-3.



**Table 14-3. Contents of the Signature Bytes**

ADDRESS	CONTENTS	DEVICE TYPE
30H	89H	Indicates Intel Devices
31H	40H	Indicates MCS 251 core product
60H	7AH	Indicates 83C251SA device
60H	7BH	Indicates 83C251SB device
60H	4AH	Indicates 83C251SP device
60H	4BH	Indicates 83C251SQ device
60H	FAH	Indicates 87C251SA device
60H	FBH	Indicates 87C251SB device
60H	CAH	Indicates 87C251SP device
60H	CBH	Indicates 87C251SQ device
61H	55H	Indicates 8XC251SA, SB, SP, SQ

### 14.7 VERIFYING THE 83C251SA, SB, SP, SQ (ROM)

Nonvolatile memory on the 83C251Sx controller is factory-programmed. The verification procedure for the 83C251Sx is exactly the same as for the 87C251Sx. The setup shown in Figure 14-1 applies, as do the waveform and timing diagrams. Like the 87C251Sx, the 83C251Sx has 8-Kbytes or 16-Kbytes of on-chip code memory and a 128-byte encryption array.

For information on verifying the contents of nonvolatile memory on the 83C251Sx, see 14.6, “Programmable Functions” for each function desired. Or more directly, perform the verification procedure described in 14.5, “Verify Algorithm,” using the appropriate verify mode (Table 14-1).





# Instruction Set Reference





# APPENDIX A

## INSTRUCTION SET REFERENCE

This appendix contains reference material for the instructions in the MCS<sup>®</sup> 251 architecture. It includes an opcode map, a summary of the instructions — with instruction lengths and execution times — and a detailed description of each instruction. It contains the following tables:

- Tables A-1 through A-4 describe the notation used for the instruction operands. Table A-5 describes the notation used for control instruction destinations.
- Tables A-6 and A-7 comprise the opcode map for the instruction set.
- Tables A-8 through A-17 contain supporting material for the opcode map.
- Table A-18 lists execution times for a group of instructions that access the port SFRs.
- The following tables list the instructions giving length (in bytes) and execution time:
  - Add and Subtract Instructions, Table A-19
  - Compare Instructions, Table A-20
  - Increment and Decrement Instructions, Table A-21
  - Multiply, Divide, and Decimal-adjust Instructions, Table A-22
  - Logical Instructions, Table A-23
  - Move Instructions, Table A-24
  - Exchange, Push, and Pop Instructions, Table A-25
  - Bit Instructions, Table A-26
  - Control Instructions, Table A-27

“Instruction Descriptions” on page A-26 contains a detailed description of each instruction.

### NOTE

The instruction execution times given in this appendix are for code executing from on-chip code memory and for data that is read from and written to on-chip RAM. Execution times are increased by executing code from external memory, accessing peripheral SFRs, accessing data in external memory, using a wait state, or extending the ALE pulse.

For some instructions, accessing the port SFRs,  $P_x$ ,  $x = 0-3$ , increases the execution time. These cases are listed in Table A-18 and are noted in the instruction summary tables and the instruction descriptions.

## A.1 NOTATION FOR INSTRUCTION OPERANDS

**Table A-1. Notation for Register Operands**

Register Notation		MCS® 251 Arch.	MCS 51 Arch.
@Ri	A memory location (00H–FFH) addressed indirectly via byte register R0 or R1		✓
Rn	Byte register R0–R7 of the currently selected register bank		
n	Byte register index: n = 0–7		✓
r r r	Binary representation of n		
Rm	Byte register R0–R15 of the currently selected register file		
Rmd	Destination register		
Rms	Source register		
m, md, ms	Byte register index: m, md, ms = 0–15	✓	
s s s s	Binary representation of m or md		
S S S S	Binary representation of ms		
WRj	Word register WR0, WR2, ..., WR30 of the currently selected register file		
WRjd	Destination register		
WRjs	Source register		
@WRj	A memory location (00:0000H–00:FFFFH) addressed indirectly through word register WR0–WR30	✓	
@WRj +dis16	Data RAM location (00:0000H–00:FFFFH) addressed indirectly through a word register (WR0–WR30) + displacement value, where the displacement value is from 0 to 64 Kbytes.		
j, jd, js	Word register index: j, jd, js = 0–30		
t t t t	Binary representation of j or jd		
T T T T	Binary representation of js		
DRk	Dword register DR0, DR4, ..., DR28, DR56, DR60 of the currently selected register file		
DRkd	Destination Register		
DRks	Source Register		
@DRk	A memory location (00:0000H–FF:FFFFH) addressed Indirectly through dword register DR0–DR28, DR56, DR60	✓	
@DRk +dis24	Data RAM location (00:0000H–FF:FFFFH) addressed indirectly through a dword register (DR0–DR28, DR56, DR60) + displacement value, where the displacement value is from 0 to 64 Kbytes		
k, kd, ks	Dword register index: k, kd, ks = 0, 4, 8, ..., 28, 56, 60		
u u u u	Binary representation of k or kd		
U U U U	Binary representation of ks		

**Table A-2. Notation for Direct Addresses**

Direct Address.	Description	MCS® 251 Arch.	MCS 51 Arch.
dir8	An 8-bit direct address. This can be a memory address (00:0000H–00:00FFH) or an SFR address (S:00H - S:FFH).	✓	✓
dir16	A 16-bit memory address (00:0000H–00:FFFFH) used in direct addressing.	✓	

**Table A-3. Notation for Immediate Addressing**

Immediate Data	Description	MCS® 251 Arch.	MCS 51 Arch.
#data	An 8-bit constant that is immediately addressed in an instruction.	✓	✓
#data16	A 16-bit constant that is immediately addressed in an instruction.	✓	
#0data16 #1data16	A 32-bit constant that is immediately addressed in an instruction. The upper word is filled with zeros (#0data16) or ones (#1data16).	✓	
#short	A constant, equal to 1, 2, or 4, that is immediately addressed in an instruction.	✓	
v v	Binary representation of #short.		

**Table A-4. Notation for Bit Addressing**

Bit Address	Description	MCS® 251 Arch.	MCS 51 Arch.
bit y y y	A directly addressed bit in memory locations 00:0020H–00:007FH or in any defined SFR. A binary representation of the bit number (0–7) within a byte.	✓	
bit51	A directly addressed bit (bit number = 00H–FFH) in memory or an SFR. Bits 00H–7FH are the 128 bits in byte locations 20H–2FH in the on-chip RAM. Bits 80H–FFH are the 128 bits in the 16 SFR's with addresses that end in 0H or 8H: S:80H, S:88H, S:90H, . . . , S:F0H, S:F8H.		✓

**Table A-5. Notation for Destinations in Control Instructions**

Destination Address	Description	MCS® 251 Arch.	MCS 51 Arch.
rel	A signed (two's complement) 8-bit relative address. The destination is -128 to +127 bytes relative to first byte of the next instruction.	✓	✓
addr11	An 11-bit destination address. The destination is in the same 2-Kbyte block of memory as the first byte of the next instruction.	✓	✓
addr16	A 16-bit destination address. A destination can be anywhere within the same 64-Kbyte region as the first byte of the next instruction.	✓	✓
addr24	A 24-bit destination address. A destination can be anywhere within the 16-Mbyte address space.	✓	

## A.2 OPCODE MAP AND SUPPORTING TABLES

**Table A-6. Instructions for MCS<sup>®</sup> 51 Microcontrollers**

Bin.	0	1	2	3	4	5	6-7	8-F
Src.	0	1	2	3	4	5	A5x6–A5x7	A5x8–A5xF
0	NOP	AJMP addr11	LJMP addr16	RR A	INC A	INC dir8	INC @Ri	INC Rn
1	JBC bit,rel	ACALL addr11	LCALL addr16	RRC A	DEC A	DEC dir8	DEC @Ri	DEC Rn
2	JB bit,rel	AJMP addr11	RET	RLA	ADD A,#data	ADD A,dir8	ADD A,@Ri	ADD A,Rn
3	JNB bit,rel	ACALL addr11	RETI	RLCA	ADDC A,#data	ADDC A,dir8	ADDC A,@Ri	ADDC A,Rn
4	JC rel	AJMP addr11	ORL dir8,A	ORL dir8,#data	ORL A,#data	ORL A,dir8	ORL A,@Ri	ORL A,Rn
5	JNC rel	ACALL addr11	ANL dir8,A	ANL dir8,#data	ANL A,#data	ANL A,dir8	ANL A,@Ri	ANL A,Rn
6	JZ rel	AJMP addr11	XRL dir8,A	XRL dir8,#data	XRL A,#data	XRL A,dir8	XRL A,@Ri	XRL A,Rn
7	JNZ rel	ACALL addr11	ORL CY,bit	JMP @A+DPTR	MOV A,#data	MOV dir8,#data	MOV @Ri,#data	MOV Rn,#data
8	SJMP rel	AJMP addr11	ANL CY,bit	MOVC A,@A+PC	DIV AB	MOV dir8,dir8	MOV dir8,@Ri	MOV dir8,Rn
9	MOV DPTR,#data16	ACALL addr11	MOV bit,CY	MOVC A,@A+DPTR	SUBB A,#data	SUBB A,dir8	SUBB A,@Ri	SUBB A,Rn
A	ORL CY,bit	AJMP addr11	MOV CY,bit	INC DPTR	MUL AB	ESC	MOV @Ri,dir8	MOV Rn,dir8
B	ANL CY,bit	ACALL addr11	CPL bit	CPL CY	CJNE A,#data,rel	CJNE A,dir8,rel	CJNE @Ri,#data,rel	CJNE Rn,#data,rel
C	PUSH dir8	AJMP addr11	CLR bit	CLR CY	SWAP A	XCH A,dir8	XCH A,@Ri	XCH A,Rn
D	POP dir8	ACALL addr11	SETB bit	SETB CY	DA A	DJNZ dir8,rel	XCHD A,@Ri	DJNZ Rn,rel
E	MOVX A,@DPTR	AJMP addr11		MOVX A,@Ri	CLR A	MOV A,dir8	MOV A,@Ri	MOV A,Rn
F	MOV @DPTR,A	ACALL addr11		MOVX @Ri,A	CPL A	MOV dir8,A	MOV @Ri,A	MOV Rn,A



**Table A-7. New Instructions for the MCS<sup>®</sup> 251 Architecture**

Bin.	A5x8	A5x9	A5xA	A5xB	A5xC	A5xD	A5xE	A5xF
Src.	x8	x9	xA	xB	xC	xD	xE	xF
0	JSLE rel	MOV Rm,@WRj+dis	MOVZ WRj,Rm	INC R,#short (1) MOV reg,ind			SRA reg	
1	JSG rel	MOV @WRj+dis,Rm	MOVS WRj,Rm	DEC R,#short (1) MOV ind,reg			SRL reg	
2	JLE rel	MOV Rm,@DRk+dis			ADD Rm,Rm	ADD WRj,WRj	ADD reg,op2 (2)	ADD DRk,DRk
3	JG rel	MOV @DRk+dis,Rm					SLL reg	
4	JSL rel	MOV WRj,@WRj+dis			ORL Rm,Rm	ORL WRj,WRj	ORL reg,op2 (2)	
5	JSGE rel	MOV @WRj+dis,WRj			ANL Rm,Rm	ANL WRj,WRj	ANL reg,op2 (2)	
6	JE rel	MOV WRj,@DRk+dis			XRL Rm,Rm	XRL WRj,WRj	XRL reg,op2 (2)	
7	JNE rel	MOV @DRk+dis,WRj	MOV op1,reg (2)		MOV Rm,Rm	MOV WRj,WRj	MOV reg,op2 (2)	MOV DRk,DRk
8		LJMP @WRj EJMP @DRk	EJMP addr24		DIV Rm,Rm	DIV WRj,WRj		
9		LCALL @WRj ECALL @DRk	ECALL addr24		SUB Rm,Rm	SUB WRj,WRj	SUB reg,op2 (2)	SUB DRk,DRk
A		Bit Instructions (3)	ERET		MUL Rm,Rm	MUL WRj,WRj		
B		TRAP			CMP Rm,Rm	CMP WRj,WRj	CMP reg,op2 (2)	CMP DRk,DRk
C			PUSH op1 (4) MOV DRk,PC					
D			POP op1 (4)					
E								
F								

**NOTES:**

1. R = Rm/WRj/DRk.
2. op1, op2 are defined in Table A-8.
3. See Tables A-10 and A-11.
4. See Table A-12.

**Table A-8. Data Instructions**

Instruction	Byte 0		Byte 1		Byte 2		Byte 3	
	x	C	md	ms				
Oper Rmd,Rms	x	C	md	ms				
Oper WRjd,WRjs	x	D	jd/2	js/2				
Oper DRkd,DRks	x	F	kd/4	ks/4				
Oper Rm,#data	x	E	m	0000	#data			
Oper WRj,#data16	x	E	j/2	0100	#data (high)		#data (low)	
Oper DRk,#data16	x	E	k/4	1000	#data (high)		#data (low)	
MOV DRk(h),#data16	7	A	k/4	1100	#data (high)		#data (low)	
MOV DRk,#1data16	7	E						
CMP DRk,#1data16	B	E						
Oper Rm,dir8	x	E	m	0001	dir8 addr			
Oper WRj,dir8	x	E	j/2	0101	dir8 addr			
Oper DRk,dir8	x	E	k/4	1101	dir8 addr			
Oper Rm,dir16	x	E	m	0011	dir16 addr (high)		dir16 addr (low)	
Oper WRj,dir16	x	E	j/2	0111	dir16 addr (high)		dir16 addr (low)	
Oper DRk,dir16 (1)	x	E	k/4	1111	dir16 addr (high)		dir16 addr (low)	
Oper Rm,@WRj	x	E	j/2	1001	m	00		
Oper Rm,@DRk	x	E	k/4	1011	m	00		

**NOTE:**

1. For this instruction, the only valid operation is MOV.

**Table A-9. High Nibble, Byte 0 of Data Instructions**

x	Operation	Notes
2	ADD reg,op2	All addressing modes are supported.
9	SUB reg,op2	
B	CMP reg,op2 (1)	
4	ORL reg,op2 (2)	
5	ANL reg,op2 (2)	
6	XRL reg,op2 (2)	
7	MOV reg,op2	
8	DIV reg,op2	Two modes only: reg,op2 = Rmd,Rms reg,op2 = Wjd,Wjs
A	MUL reg,op2	
<p><b>NOTES:</b></p> <ol style="list-style-type: none"> <li>1. The CMP operation does not support DRk, direct16.</li> <li>2. For the ORL, ANL, and XRL operations, neither reg nor op2 can be DRk.</li> </ol>		

All of the bit instructions in the MCS 251 architecture (Table A-7) have opcode A9, which serves as an escape byte (similar to A5). The high nibble of byte 1 specifies the bit instruction, as given in Table A-10.

**Table A-10. Bit Instructions**

<b>Instruction</b>		<b>Byte 0(x)</b>		<b>Byte 1</b>			<b>Byte 2</b>	<b>Byte 3</b>
1	Bit Instr (dir8)	A	9	xxxx	0	bit	dir8 addr	rel addr

**Table A-11. Byte 1 (High Nibble) for Bit Instructions**

xxxx	Bit Instruction
0001	JBC bit
0010	JB bit
0011	JNB bit
0111	ORL CY,bit
1000	ANL CY,bit
1001	MOV bit,CY
1010	MOV CY,bit
1011	CPL bit
1100	CLR bit
1101	SETB bit
1110	ORL CY, /bit
1111	ANL CY, /bit

Table A-12. PUSH/POP Instructions

Instruction	Byte 0(x)		Byte 1		Byte 2	Byte 3
	C	A				
PUSH #data	C	A	0000	0010	#data	
PUSH #data16	C	A	0000	0110	#data16 (high)	#data16 (low)
PUSH Rm	C	A	m	1000		
PUSH WRj	C	A	j/2	1001		
PUSH DRk	C	A	k/4	1011		
MOV DRk,PC	C	A	k/4	0001		
POP Rm	D	A	m	1000		
POP WRj	D	A	j/2	1001		
POP DRk	D	A	k/4	1011		

Table A-13. Control Instructions

Instruction	Byte 0(x)		Byte 1		Byte 2	Byte 3
EJMP addr24	8	A	addr[23:16]		addr[15:8]	addr[7:0]
ECALL addr24	9	A	addr[23:16]		addr[15:8]	addr[7:0]
LJMP @WRj	8	9	j/2	0100		
LCALL @WRj	9	9	j/2	0100		
EJMP @DRk	8	9	k/4	1000		
ECALL @DRk	9	9	k/4	1000		
ERET	A	A				
JE rel	8	8	rel			
JNE rel	7	8	rel			
JLE rel	2	8	rel			
JG rel	3	8	rel			
JSL rel	4	8	rel			
JSGE rel	5	8	rel			
JSLE rel	0	8	rel			
JSG rel	1	8	rel			
TRAP	B	9				

**Table A-14. Displacement/Extended MOVs**

Instruction	Byte 0		Byte 1		Byte 2		Byte 3	
MOV Rm, @WRj+dis	0	9	m	j/2	dis[15:8]		dis[7:0]	
MOV WRk, @WRj+dis	4	9	j/2	k/2	dis[15:8]		dis[7:0]	
MOV Rm, @DRk+dis	2	9	m	k/4	dis[15:8]		dis[7:0]	
MOV WRj, @DRk+dis	6	9	j/2	k/4	dis[15:8]		dis[7:0]	
MOV @WRj+dis, Rm	1	9	m	j/2	dis[15:8]		dis[7:0]	
MOV @WRj+dis, WRk	5	9	j/2	k/2	dis[15:8]		dis[7:0]	
MOV @DRk+dis, Rm	3	9	m	k/4	dis[15:8]		dis[7:0]	
MOV @DRk+dis, WRj	7	9	j/2	k/4	dis[15:8]		dis[7:0]	
MOVS WRj, Rm	1	A	j/2	m				
MOVZ WRj, Rm	0	A	j/2	m				
MOV WRj, @WRj	0	B	j/2	1000	j/2	0000		
MOV WRj, @DRk	0	B	k/4	1010	j/2	0000		
MOV @WRj, WRj	1	B	j/2	1000	j/2	0000		
MOV @DRk, WRj	1	B	k/4	1010	j/2	0000		
MOV dir8, Rm	7	A	m	0001	dir8 addr			
MOV dir8, WRj	7	A	j/2	0101	dir8 addr			
MOV dir8, DRk	7	A	k/4	1101	dir8 addr			
MOV dir16, Rm	7	A	m	0011	dir16 addr (high)		dir16 addr (low)	
MOV dir16, WRj	7	A	j/2	0111	dir16 addr (high)		dir16 addr (low)	
MOV dir16, DRk	7	A	k/4	1111	dir16 addr (high)		dir16 addr (low)	
MOV @WRj, Rm	7	A	j/2	1001	m	0000		
MOV @DRk, Rm	7	A	k/4	1011	m	0000		

Table A-15. INC/DEC

	Instruction	Byte 0		Byte 1		
1	INC Rm,#short	0	B	m	00	ss
2	INC WRj,#short	0	B	j/2	01	ss
3	INC DRk,#short	0	B	k/4	11	ss
4	DEC Rm,#short	1	B	m	00	ss
5	DEC WRj,#short	1	B	j/2	01	ss
6	DEC DRk,#short	1	B	k/4	11	ss

Table A-16. Encoding for INC/DEC

ss	#short
00	1
01	2
10	4

Table A-17. Shifts

	Instruction	Byte 0		Byte 1		
1	SRA Rm	0	E	m	0000	
2	SRA WRj	0	E	j/2	0100	
3	SRL Rm	1	E	m	0000	
4	SRL WRj	1	E	j/2	0100	
5	SLL Rm	3	E	m	0000	
6	SLL WRj	3	E	j/2	0100	

### A.3 INSTRUCTION SET SUMMARY

This section summarizes the MCS 251 architecture instruction set. Tables A-19 through A-27 list the instructions by category, providing for each instruction a short description, its length in bytes, and its execution time in states.

#### NOTE

The instruction execution times given in the tables are for code executing from on-chip code memory and for data that is read from and written to on-chip RAM. Execution times are increased by executing code from external memory, accessing peripheral SFRs, accessing data in external memory, using a wait state, or extending the ALE pulse.

For some instructions, accessing the port SFRs,  $P_x$ ,  $x = 0-3$ , increases the execution time. These cases are noted individually in the tables.

#### A.3.1 Execution Times for Instructions that Access the Port SFRs

The execution times for some instructions increase when the instruction accesses a port SFR ( $P_x$ ,  $x = 0-3$ ) as opposed to any other SFR. Table A-18 lists these instructions and the execution times for Case 0:

- Case 0. Code executes from on-chip ROM/OTPROM/EPROM and accesses locations in on-chip data RAM. The port SFRs are not accessed.

In Cases 1–4, the instructions access a port SFR:

- Case 1. Code executes from on-chip ROM/OTPROM/EPROM and accesses a port SFR.
- Case 2. Code executes from external memory with no wait state and a short ALE (not extended) and accesses a port SFR.
- Case 3. Code executes from external memory with one wait state and a short ALE (not extended) and accesses a port SFR.
- Case 4. Code executes from external memory with one wait state and an extended ALE, and accesses a port SFR.

The times for Cases 1 through 4 are expressed as the number of state times to add to the state times for given for Case 0.

Table A-18. State Times to Access the Port SFRs

Instruction	Case 0 Execution Times		Additional State Times			
	Binary	Source	Case 1	Case 2	Case 3	Case 4
ADD A,dir8	1	1	1	2	3	4
ADD Rm,dir8	3	2	1	2	3	4
ADDC A,dir8	1	1	1	2	3	4
ANL A,dir8	1	1	1	2	3	4
ANL CY,bit	3	2	1	2	3	4
ANL CY,bit51	1	1	1	2	3	4
ANL CY,/bit	3	2	1	2	3	4
ANL CY,/bit51	1	1	1	2	3	4
ANL dir8,#data	3	3	2	4	6	8
ANL dir8,A	2	2	2	4	6	8
ANL Rm,dir8	3	2	1	2	3	4
CLR bit	4	3	2	4	6	8
CLR bit51	2	2	2	4	6	8
CMP Rm,dir8	3	2	1	2	3	4
CPL bit	4	3	2	4	6	8
CPL bit51	2	2	2	4	6	8
DEC dir8	2	2	2	4	6	8
INC dir8	2	2	2	4	6	8
MOV A,dir8	1	1	1	2	3	4
MOV bit,CY	4	3	2	4	6	8
MOV bit51,CY	2	2	2	4	6	8
MOV CY,bit	3	2	1	2	3	4
MOV CY,bit51	1	1	1	2	3	4
MOV dir8,#data	3	3	1	2	3	4
MOV dir8,A	2	2	1	2	3	4
MOV dir8,Rm	4	3	1	2	3	4
MOV dir8,Rn	2	3	1	2	3	4
MOV Rm,dir8	3	2	1	2	3	4
MOV Rn,dir8	1	2	1	2	3	4
ORL A,dir8	1	1	1	2	3	4
ORL CY,bit	3	2	1	2	3	4
ORL CY,bit51	1	1	1	2	3	4
ORL CY,/bit	3	2	1	2	3	4



**Table A-18. State Times to Access the Port SFRs (Continued)**

Instruction	Case 0 Execution Times		Additional State Times			
	Binary	Source	Case 1	Case 2	Case 3	Case 4
ORL CY,/bit51	1	1	1	2	3	4
ORL dir8,#data	3	3	1	2	3	4
ORL dir8,A	2	2	2	4	6	8
ORL Rm,dir8	3	2	1	2	3	4
SETB bit	4	3	2	4	6	8
SETB bit51	2	2	2	4	6	8
SUB Rm,dir8	3	2	1	2	3	4
SUBB A,dir8	1	1	1	2	3	4
XCH A,dir8	3	3	2	4	6	8
XRL A,dir8	1	1	1	2	3	4
XRL dir8,#data	3	3	2	4	6	8
XRL dir8,A	2	2	2	4	6	8
XRL Rm,dir8	3	2	1	2	3	4

### A.3.2 Instruction Summaries

Table A-19. Summary of Add and Subtract Instructions

Add		ADD <dest>,<src>	dest opnd ← dest opnd + src opnd			
Subtract		SUB <dest>,<src>	dest opnd ← dest opnd - src opnd			
Add with Carry		ADDC <dest>,<src>	(A) ← (A) + src opnd + carry bit			
Subtract with Borrow		SUBB <dest>,<src>	(A) ← (A) - src opnd - carry bit			
Mnemonic	<dest>,<src>	Notes	Binary Mode		Source Mode	
			Bytes	States	Bytes	States
ADD	A,Rn	Reg to acc	1	1	2	2
	A,dir8	Dir byte to acc	2	1 (2)	2	1 (2)
	A,@Ri	Indir addr to acc	1	2	2	3
	A,#data	Immediate data to acc	2	1	2	1
ADD; SUB	Rmd,Rms	Byte reg to/from byte reg	3	2	2	1
	WRjd,WRjs	Word reg to/from word reg	3	3	2	2
	DRkd,DRks	Dword reg to/from dword reg	3	5	2	4
	Rm,#data	Immediate 8-bit data to/from byte reg	4	3	3	2
	WRj,#data16	Immediate 16-bit data to/from word reg	5	4	4	3
	DRk,#0data16	16-bit unsigned immediate data to/from dword reg	5	6	4	5
	Rm,dir8	Dir addr to/from byte reg	4	3 (2)	3	2 (2)
	WRj,dir8	Dir addr to/from word reg	4	4	3	3
	Rm,dir16	Dir addr (64K) to/from byte reg	5	3	4	2
	WRj,dir16	Dir addr (64K) to/from word reg	5	4	4	3
	Rm,@WRj	Indir addr (64K) to/from byte reg	4	3	3	2
Rm,@DRk	Indir addr (16M) to/from byte reg	4	4	3	3	
ADDC; SUBB	A,Rn	Reg to/from acc with carry	1	1	2	2
	A,dir8	Dir byte to/from acc with carry	2	1 (2)	2	1 (2)
	A,@Ri	Indir RAM to/from acc with carry	1	2	2	3
	A,#data	Immediate data to/from acc with carry	2	1	2	1

**NOTES:**

1. A shaded cell denotes an instruction in the MCS<sup>®</sup> 51 architecture.
2. If this instruction addresses an I/O port (Px, x = 3:0), add 1 to the number of states.

**Table A-20. Summary of Compare Instructions**

Compare		CMP <dest>,<src>	dest opnd – src opnd			
Mnemonic	<dest>,<src>	Notes	Binary Mode		Source Mode	
			Bytes	States	Bytes	States
CMP	Rmd,Rms	Reg with reg	3	2	2	1
	WRjd,WRjs	Word reg with word reg	3	3	2	2
	DRkd,DRks	Dword reg with dword reg	3	5	2	4
	Rm,#data	Reg with immediate data	4	3	3	2
	WRj,#data16	Word reg with immediate 16-bit data	5	4	4	3
	DRk,#0data16	Dword reg with zero-extended 16-bit immediate data	5	6	4	5
	DRk,#1data16	Dword reg with one-extended 16-bit immediate data	5	6	4	5
	Rm,dir8	Dir addr from byte reg	4	3 <sup>†</sup>	3	2 <sup>†</sup>
	WRj,dir8	Dir addr from word reg	4	4	3	3
	Rm,dir16	Dir addr (64K) from byte reg	5	3	4	2
	WRj,dir16	Dir addr (64K) from word reg	5	4	4	3
	Rm,@WRj	Indir addr (64K) from byte reg	4	3	3	2
	Rm,@DRk	Indir addr (16M) from byte reg	4	4	3	3

<sup>†</sup> If this instruction addresses an I/O port (Px, x = 3:0), add 1 to the number of states.

**Table A-21. Summary of Increment and Decrement Instructions**

Increment	INC DPTR	(DPTR) ← (DPTR) + 1				
Increment	INC byte	byte ← byte + 1				
Increment	INC <dest>,<src>	dest opnd ← dest opnd + src opnd				
Decrement	DEC byte	byte ← byte – 1				
Decrement	DEC <dest>,<src>	dest opnd ← dest opnd - src opnd				
Mnemonic	<dest>,<src>	Notes	Binary Mode		Source Mode	
			Bytes	States	Bytes	States
INC; DEC	A	acc	1	1	1	1
	Rn	Reg	1	1	2	2
	dir8	Dir byte	2	2 (2)	2	2 (2)
	@Ri	Indir RAM	1	3	2	4
	Rm,#short	Byte reg by 1, 2, or 4	3	2	2	1
	WRj,#short	Word reg by 1, 2, or 4	3	2	2	1
	DRk,#short	Double word reg by 1, 2, or 4	3	4	2	3
INC	DPTR	Data pointer	1	1	1	1

**NOTES:**

1. A shaded cell denotes an instruction in the MCS<sup>®</sup> 51 architecture.
2. If this instruction addresses an I/O port (Px, x = 0–3), add 2 to the number of states.

**Table A-22. Summary of Multiply, Divide, and Decimal-adjust Instructions**

Multiply	MUL <reg1,reg2>	(2)				
Divide	MUL AB	(B:A) = A x B				
	DIV <reg1>,<reg2>	(2)				
Decimal-adjust ACC for Addition (BCD)	DIV AB	(A) = Quotient; (B) =Remainder				
	DA A	(2)				
Mnemonic	<dest>,<src>	Notes	Binary Mode		Source Mode	
			Bytes	States	Bytes	States
MUL	AB	Multiply A and B	1	5	1	5
	Rmd,Rms	Multiply byte reg and byte reg	3	6	2	5
	WRjd,WRjs	Multiply word reg and word reg	3	12	2	11
DIV	AB	Divide A by B	1	10	1	10
	Rmd,Rms	Divide byte reg by byte reg	3	11	2	10
	WRjd,WRjs	Divide word reg by word reg	3	21	2	20
DA	A	Decimal adjust acc	1	1	1	1

**NOTES:**

1. A shaded cell denotes an instruction in the MCS<sup>®</sup> 51 architecture.
2. See section A.4, "Instruction Descriptions."

**Table A-23. Summary of Logical Instructions**

Mnemonic	<dest>,<src>	Notes	Binary Mode		Source Mode	
			Bytes	States	Bytes	States
Logical AND	ANL <dest>,<src>	dest opnd $\leftarrow$ dest opnd $\wedge$ src opnd				
Logical OR	ORL <dest>,<src>	dest opnd $\leftarrow$ dest opnd $\vee$ src opnd				
Logical Exclusive OR	XRL <dest>,<src>	dest opnd $\leftarrow$ dest opnd $\nabla$ src opnd				
Clear	CLR A	(A) $\leftarrow$ 0				
Complement	CPL A	(Ai) $\leftarrow$ $\bar{\emptyset}$ (Ai)				
Rotate	RXX A	(1)				
Shift	SXX Rm or Wj	(1)				
SWAP	A	A3:0 $\leftrightarrow$ A7:4				
ANL; ORL; XRL;	A,Rn	Reg to acc	1	1	2	2
	A,dir8	Dir byte to acc	2	1 (3)	2	1 (3)
	A,@Ri	Indir addr to acc	1	2	2	3
	A,#data	Immediate data to acc	2	1	2	1
	dir8,A	Acc to dir byte	2	2 (4)	2	2 (4)
	dir8,#data	Immediate data to dir byte	3	3 (4)	3	3 (4)
	Rmd,Rms	Byte reg to byte reg	3	2	2	1
	WRjd,WRjs	Word reg to word reg	3	3	2	2
	Rm,#data	8-bit data to byte reg	4	3	3	2
	WRj,#data16	16-bit data to word reg	5	4	4	3
	Rm,dir8	Dir addr to byte reg	4	3 (3)	3	2 (3)
	WRj,dir8	Dir addr to word reg	4	4	3	3
	Rm,dir16	Dir addr (64K) to byte reg	5	3	4	2
	WRj,dir16	Dir addr (64K) to word reg	5	4	4	3
	Rm,@WRj	Indir addr (64K) to byte reg	4	3	3	2
Rm,@DRk	Indir addr (16M) to byte reg	4	4	3	3	
CLR	A	Clear acc	1	1	1	1
CPL	A	Complement acc	1	1	1	1
RL	A	Rotate acc left	1	1	1	1
RLC	A	Rotate acc left through the carry	1	1	1	1
RR	A	Rotate acc right	1	1	1	1
RRC	A	Rotate acc right through the carry	1	1	1	1
SLL	Rm	Shift byte reg left	3	2	2	1
	WRj	Shift word reg left	3	2	2	1

**NOTES:**

1. See section A.4, "Instruction Descriptions."
2. A shaded cell denotes an instruction in the MCS<sup>®</sup> 51 architecture.
3. If this instruction addresses an I/O port (Px, x = 0–3), add 1 to the number of states.
4. If this instruction addresses an I/O port (Px, x = 0–3), add 2 to the number of states.

Table A-23. Summary of Logical Instructions (Continued)

Logical AND	ANL <dest>,<src>	dest opnd $\leftarrow$ dest opnd $\wedge$ src opnd
Logical OR	ORL <dest>,<src>	dest opnd $\leftarrow$ dest opnd $\vee$ src opnd
Logical Exclusive OR	XRL <dest>,<src>	dest opnd $\leftarrow$ dest opnd $\nabla$ src opnd
Clear	CLR A	(A) $\leftarrow$ 0
Complement	CPL A	(Ai) $\leftarrow$ $\bar{\emptyset}$ (Ai)
Rotate	RXX A	(1)
Shift	SXX Rm or Wj	(1)
SWAP	A	A3:0 $\leftrightarrow$ A7:4

Mnemonic	<dest>,<src>	Notes	Binary Mode		Source Mode	
			Bytes	States	Bytes	States
SRA	Rm	Shift byte reg right through the MSB	3	2	2	1
	WRj	Shift word reg right through the MSB	3	2	2	1
SRL	Rm	Shift byte reg right	3	2	2	1
	WRj	Shift word reg right	3	2	2	1
SWAP	A	Swap nibbles within the acc	1	2	1	2

**NOTES:**

1. See section A.4, "Instruction Descriptions."
2. A shaded cell denotes an instruction in the MCS<sup>®</sup> 51 architecture.
3. If this instruction addresses an I/O port (Px, x = 0–3), add 1 to the number of states.
4. If this instruction addresses an I/O port (Px, x = 0–3), add 2 to the number of states.

Table A-24. Summary of Move Instructions

Mnemonic	<dest>,<src>	Notes	Binary Mode		Source Mode	
			Bytes	States	Bytes	States
Move (2)		MOV <dest>,<src>			destination ← src opnd	
Move with Sign Extension		MOVS <dest>,<src>			destination ← src opnd with sign extend	
Move with Zero Extension		MOVZ <dest>,<src>			destination ← src opnd with zero extend	
Move Code Byte		MOVC <dest>,<src>			A ← code byte	
Move to External Mem		MOVX <dest>,<src>			external mem ← (A)	
Move from External Mem		MOVX <dest>,<src>			A ← source opnd in external mem	
MOV	A,Rn	Reg to acc	1	1	2	2
	A,dir8	Dir byte to acc	2	1 (3)	2	1 (3)
	A,@Ri	Indir RAM to acc	1	2	2	3
	A,#data	Immediate data to acc	2	1	2	1
	Rn,A	Acc to reg	1	1	2	2
	Rn,dir8	Dir byte to reg	2	1 (3)	3	2 (3)
	Rn,#data	Immediate data to reg	2	1	3	2
	dir8,A	Acc to dir byte	2	2 (3)	2	2 (3)
	dir8,Rn	Reg to dir byte	2	2 (3)	3	3 (3)
	dir8,dir8	Dir byte to dir byte	3	3	3	3
	dir8,@Ri	Indir RAM to dir byte	2	3	3	4
	dir8,#data	Immediate data to dir byte	3	3 (3)	3	3 (3)
	@Ri,A	Acc to indir RAM	1	3	2	4
	@Ri,dir8	Dir byte to indir RAM	2	3	3	4
	@Ri,#data	Immediate data to indir RAM	2	3	3	4
	DPTR,#data16	Load Data Pointer with a 16-bit const	3	2	3	2
	Rmd,Rms	Byte reg to byte reg	3	2	2	1
	WRjd,WRjs	Word reg to word reg	3	2	2	1
	DRkd,DRks	Dword reg to dword reg	3	3	2	2
	Rm,#data	8-bit immediate data to byte reg	4	3	3	2
WRj,#data16	16-bit immediate data to word reg	5	3	4	2	
DRk,#0data16	zero-extended 16-bit immediate data to dword reg	5	5	4	4	
DRk,#1data16	one-extended 16-bit immediate data to dword reg	5	5	4	4	

**NOTES:**

1. A shaded cell denotes an instruction in the MCS<sup>®</sup> 51 architecture.
2. Instructions that move bits are in Table A-26 on page A-23.
3. If this instruction addresses an I/O port (Px, x = 0–3), add 1 to the number of states.
4. External memory addressed by instructions in the MCS 51 architecture is in the region specified by DPXL (reset value = 01H). See section 3.1.1, “Compatibility with the MCS<sup>®</sup> 51 Architecture.”

Table A-24. Summary of Move Instructions (Continued)

Mnemonic	<dest>,<src>	Notes	Binary Mode		Source Mode	
			Bytes	States	Bytes	States
Move (2)		MOV <dest>,<src>			destination ← src opnd	
Move with Sign Extension		MOVS <dest>,<src>			destination ← src opnd with sign extend	
Move with Zero Extension		MOVZ <dest>,<src>			destination ← src opnd with zero extend	
Move Code Byte		MOVC <dest>,<src>			A ← code byte	
Move to External Mem		MOVX <dest>,<src>			external mem ← (A)	
Move from External Mem		MOVX <dest>,<src>			A ← source opnd in external mem	
MOV	DRk,dir8	Dir addr to dword reg	4	6	3	5
	DRk,dir16	Dir addr (64K) to dword reg	5	6	4	5
	Rm,dir8	Dir addr to byte reg	4	3 (3)	3	2 (3)
	WRj,dir8	Dir addr to word reg	4	4	3	3
	Rm,dir16	Dir addr (64K) to byte reg	5	3	4	2
	WRj,dir16	Dir addr (64K) to word reg	5	4	4	3
	Rm,@WRj	Indir addr (64K) to byte reg	4	2	3	2
	Rm,@DRk	Indir addr (16M) to byte reg	4	4	3	3
	WRjd,@WRjs	Indir addr(64K) to word reg	4	4	3	3
	WRj,@DRk	Indir addr(16M) to word reg	4	5	3	4
	dir8,Rm	Byte reg to dir addr	4	4 (3)	3	3 (3)
	dir8,WRj	Word reg to dir addr	4	5	3	4
	dir16,Rm	Byte reg to dir addr (64K)	5	4	4	3
	dir16,WRj	Word reg to dir addr (64K)	5	5	4	4
	@WRj,Rm	Byte reg to indir addr (64K)	4	4	3	3
	@DRk,Rm	Byte reg to indir addr (16M)	4	5	3	4
	@WRjd,WRjs	Word reg to indir addr (64K)	4	5	3	4
	@DRk,WRj	Word reg to indir addr (16M)	4	6	3	5
	dir8,DRk	Dword reg to dir addr	4	7	3	6
	dir16,DRk	Dword reg to dir addr (64K)	5	7	4	6
	Rm,@WRj+dis16	Indir addr with disp (64K) to byte reg	5	6	4	5
	WRj,@WRj+dis16	Indir addr with disp (64K) to word reg	5	7	4	6
	Rm,@DRk+dis24	Indir addr with disp (16M) to byte reg	5	7	4	6
WRj,@DRk+dis24	Indir addr with disp (16M) to word reg	5	8	4	7	
@WRj+dis16,Rm	Byte reg to Indir addr with disp (64K)	5	6	4	5	

**NOTES:**

1. A shaded cell denotes an instruction in the MCS<sup>®</sup> 51 architecture.
2. Instructions that move bits are in Table A-26 on page A-23.
3. If this instruction addresses an I/O port (P<sub>x</sub>, x = 0–3), add 1 to the number of states.
4. External memory addressed by instructions in the MCS 51 architecture is in the region specified by DPXL (reset value = 01H). See section 3.1.1, “Compatibility with the MCS<sup>®</sup> 51 Architecture.”



**Table A-24. Summary of Move Instructions (Continued)**

Mnemonic	<dest>,<src>	Notes	Binary Mode		Source Mode	
			Bytes	States	Bytes	States
Move (2)		MOV <dest>,<src>			destination ← src opnd	
Move with Sign Extension		MOVS <dest>,<src>			destination ← src opnd with sign extend	
Move with Zero Extension		MOVZ <dest>,<src>			destination ← src opnd with zero extend	
Move Code Byte		MOVC <dest>,<src>			A ← code byte	
Move to External Mem		MOVX <dest>,<src>			external mem ← (A)	
Move from External Mem		MOVX <dest>,<src>			A ← source opnd in external mem	
MOV	@WRj+dis16,WRj	Word reg to Indir addr with disp (64K)	5	7	4	6
	@DRk+dis24,Rm	Byte reg to Indir addr with disp (16M)	5	7	4	6
	@DRk+dis24,WRj	Word reg to Indir addr with disp (16M)	5	8	4	7
MOVH	DRk(hi), #data16	16-bit immediate data into upper word of dword reg	5	3	4	2
MOVS	WRj,Rm	Byte reg to word reg with sign extension	3	2	2	1
MOVZ	WRj,Rm	Byte reg to word reg with zeros extension	3	2	2	1
MOVC	A,@A+DPTR	Code byte relative to DPTR to acc	1	6	1	6
	A,@A+PC	Code byte relative to PC to acc	1	6	1	6
MOVX	A,@Ri	External mem (8-bit addr) to acc (4)	1	4	2	5
	A,@DPTR	External mem (16-bit addr) to acc (4)	1	5	1	5
	@Ri,A	Acc to external mem (8-bit addr) (4)	1	4	1	4
	@DPTR,A	Acc to external mem (16-bit addr) (4)	1	5	1	5

**NOTES:**

1. A shaded cell denotes an instruction in the MCS<sup>®</sup> 51 architecture.
2. Instructions that move bits are in Table A-26 on page A-23.
3. If this instruction addresses an I/O port (P<sub>x</sub>, x = 0–3), add 1 to the number of states.
4. External memory addressed by instructions in the MCS 51 architecture is in the region specified by DPXL (reset value = 01H). See section 3.1.1, “Compatibility with the MCS<sup>®</sup> 51 Architecture.”

Table A-25. Summary of Exchange, Push, and Pop Instructions

Mnemonic	<dest>,<src>	Notes	Exchange Contents			
			XCH <dest>,<src>		A $\leftrightarrow$ src opnd	
			XCHD <dest>,<src>		A3:0 $\leftrightarrow$ on-chip RAM bits 3:0	
Push		PUSH <src>		SP $\leftarrow$ SP + 1; (SP) $\leftarrow$ src		
Pop		POP <dest>		dest $\leftarrow$ (SP); SP $\leftarrow$ SP - 1		
			Binary Mode		Source Mode	
			Bytes	States	Bytes	States
XCH	A,Rn	Acc and reg	1	3	2	4
	A,dir8	Acc and dir addr	2	3 (2)	2	3 (2)
	A,@Ri	Acc and on-chip RAM (8-bit addr)	1	4	2	5
XCHD	A,@Ri	Acc and low nibble in on-chip RAM (8-bit addr)	1	4	2	5
PUSH	dir8	Push dir byte onto stack	2	2	2	2
	#data	Push immediate data onto stack	4	4	3	3
	#data16	Push 16-bit immediate data onto stack	5	5	4	5
	Rm	Push byte reg onto stack	3	4	2	3
	WRj	Push word reg onto stack	3	6	2	5
	DRk	Push double word reg onto stack	3	10	2	9
POP	dir8	Pop dir byte from stack	2	3	2	3
	Rm	Pop byte reg from stack	3	3	2	2
	WRj	Pop word reg from stack	3	5	2	4
	DRk	Pop double word reg from stack	3	9	2	8

**NOTES:**

1. A shaded cell denotes an instruction in the MCS<sup>®</sup> 51 architecture.
2. If this instruction addresses an I/O port (Px, x = 0–3), add 2 to the number of states.

**Table A-26. Summary of Bit Instructions**

Mnemonic	<src>,<dest>	Notes	Binary Mode		Source Mode	
			Bytes	States	Bytes	States
CLR	CY	Clear carry	1	1	1	1
	bit51	Clear dir bit	2	2 (2)	2	2 (2)
	bit	Clear dir bit	4	4	3	3
SETB	CY	Set carry	1	1	1	1
	bit51	Set dir bit	2	2 (2)	2	2 (2)
	bit	Set dir bit	4	4 (2)	3	3 (2)
CPL	CY	Complement carry	1	1	1	1
	bit51	Complement dir bit	2	2 (2)	2	2 (2)
	bit	Complement dir bit	4	4 (2)	3	3 (2)
ANL	CY,bit51	AND dir bit to carry	2	1 (3)	2	1 (3)
	CY,bit	AND dir bit to carry	4	3 (3)	3	2 (3)
ANL/	CY,/bit51	AND complemented dir bit to carry	2	1 (3)	2	1 (3)
	CY,/bit	AND complemented dir bit to carry	4	3 (3)	3	2 (3)
ORL	CY,bit51	OR dir bit to carry	2	1 (3)	2	1 (3)
	CY,bit	OR dir bit to carry	4	3 (3)	3	2 (3)
ORL/	CY,/bit51	OR complemented dir bit to carry	2	1 (3)	2	1 (3)
	CY,/bit	OR complemented dir bit to carry	4	3 (3)	3	2 (3)
MOV	CY,bit51	Move dir bit to carry	2	1 (3)	2	1 (3)
	CY,bit	Move dir bit to carry	4	3 (3)	3	2 (3)
	bit51,CY	Move carry to dir bit	2	2 (2)	2	2 (2)
	bit,CY	Move carry to dir bit	4	4 (2)	3	3 (2)

**NOTES:**

1. A shaded cell denotes an instruction in the MCS® 51 architecture.
2. If this instruction addresses an I/O port (Px, x = 0–3), add 2 to the number of states.
3. If this instruction addresses an I/O port (Px, x = 0–3), add 1 to the number of states.

Table A-27. Summary of Control Instructions

Mnemonic	<dest>,<src>	Notes	Binary Mode		Source Mode	
			Bytes	States (2)	Bytes	States (2)
ACALL	addr11	Absolute subroutine call	2	9	2	9
ECALL	@DRk	Extended subroutine call, indirect	3	12	2	11
	addr24	Extended subroutine call	5	14	4	13
LCALL	@WRj	Long subroutine call, indirect	3	9	2	8
	addr16	Long subroutine call	3	9	3	9
RET		Return from subroutine	1	6	1	6
ERET		Extended subroutine return	3	10	2	9
RETI		Return from interrupt	1	6	1	6
AJMP	addr11	Absolute jump	2	3	2	3
EJMP	addr24	Extended jump	5	6	4	5
	@DRk	Extended jump, indirect	3	7	2	6
LJMP	@WRj	Long jump, indirect	3	6	2	5
	addr16	Long jump	3	4	3	4
SJMP	rel	Short jump (relative addr)	2	3	2	3
JMP	@A+DPTR	Jump indir relative to the DPTR	1	5	1	5
JC	rel	Jump if carry is set	2	1/4	2	1/4
JNC	rel	Jump if carry not set	2	1/4	2	1/4
JB	bit51,rel	Jump if dir bit is set	3	2/5	3	2/5
	bit,rel	Jump if dir bit of 8-bit addr location is set	5	4/7	4	3/6
JNB	bit51,rel	Jump if dir bit is not set	3	2/5	3	2/5
	bit,rel	Jump if dir bit of 8-bit addr location is not set	5	4/7	4	3/6
JBC	bit51,rel	Jump if dir bit is set & clear bit	3	4/7	3	4/7
	bit,rel	Jump if dir bit of 8-bit addr location is set and clear bit	5	7/10	4	6/9
JZ	rel	Jump if acc is zero	2	2/5	2	2/5
JNZ	rel	Jump if acc is not zero	2	2/5	2	2/5
JE	rel	Jump if equal	3	2/5	2	1/4
JNE	rel	Jump if not equal	3	2/5	2	1/4
JG	rel	Jump if greater than	3	2/5	2	1/4
JLE	rel	Jump if less than or equal	3	2/5	2	1/4
JSL	rel	Jump if less than (signed)	3	2/5	2	1/4

**NOTES:**

1. A shaded cell denotes an instruction in the MCS<sup>®</sup> 51 architecture.
2. For conditional jumps, times are given as not-taken/taken.

**Table A-27. Summary of Control Instructions (Continued)**

Mnemonic	<dest>,<src>	Notes	Binary Mode		Source Mode	
			Bytes	States (2)	Bytes	States (2)
JSLE	rel	Jump if less than or equal (signed)	3	2/5	2	1/4
JSG	rel	Jump if greater than (signed)	3	2/5	2	1/4
JSGE	rel	Jump if greater than or equal (signed)	3	2/5	2	1/4
CJNE	A,dir8,rel	Compare dir byte to acc and jump if not equal	3	2/5	3	2/5
	A,#data,rel	Compare immediate to acc and jump if not equal	3	2/5	3	2/5
	Rn,#data,rel	Compare immediate to reg and jump if not equal	3	2/5	4	3/6
	@Ri,#data,rel	Compare immediate to indir and jump if not equal	3	3/6	4	4/7
DJNZ	Rn,rel	Decrement reg and jump if not zero	2	2/5	3	3/6
	dir8,rel	Decrement dir byte and jump if not zero	3	3/6	3	3/6
TRAP	—	Jump to the trap interrupt vector	2	10	1	9
NOP	—	No operation	1	1	1	1

**NOTES:**

1. A shaded cell denotes an instruction in the MCS<sup>®</sup> 51 architecture.
2. For conditional jumps, times are given as not-taken/taken.

## A.4 INSTRUCTION DESCRIPTIONS

This section describes each instruction in the MCS 251 architecture. See the note on page A-11 regarding execution times.

Table A-28 defines the symbols (—, ✓, 1, 0,?) used to indicate the effect of the instruction on the flags in the PSW and PSW1 registers. For a conditional jump instruction, “!” indicates that a flag influences the decision to jump.

**Table A-28. Flag Symbols**

Symbol	Description
—	The instruction does not modify the flag.
✓	The instruction sets or clears the flag, as appropriate.
1	The instruction sets the flag.
0	The instruction clears the flag.
?	The instruction leaves the flag in an indeterminate state.
!	For a conditional jump instruction: The state of the flag before the instruction executes influences the decision to jump or not jump.

---

### ACALL <addr11>

**Function:** Absolute call

**Description:** Unconditionally calls a subroutine at the specified address. The instruction increments the 3-byte PC twice to obtain the address of the following instruction, then pushes bytes 0 and 1 of the result onto the stack (byte 0 first) and increments the stack pointer twice. The destination address is obtained by successively concatenating bits 15–11 of the incremented PC, opcode bits 7–5, and the second byte of the instruction. The subroutine called must therefore start within the same 2-Kbyte “page” of the program memory as the first byte of the instruction following ACALL.

**Flags:**

CY	AC	OV	N	Z
—	—	—	—	—

**Example:** The stack pointer (SP) contains 07H and the label "SUBRTN" is at program memory location 0345H. After executing the instruction

ACALL SUBRTN

at location 0123H, SP contains 09H; on-chip RAM locations 08H and 09H contain 25H and 01H, respectively; and the PC contains 0345H.

	Binary Mode	Source Mode
<b>Bytes:</b>	2	2
<b>States:</b>	9	9

[Encoding]	a10 a9 a8 1	0 0 0 1	a7 a6 a5 a4	a3 a2 a1 a0
------------	-------------	---------	-------------	-------------

Hex Code in: **Binary Mode = [Encoding]**  
**Source Mode = [Encoding]**

**Operation:** ACALL  
(PC) ← (PC) + 2  
(SP) ← (SP) + 1  
((SP)) ← (PC.7:0)  
(SP) ← (SP) + 1  
((SP)) ← (PC.15:8)  
(PC.10:0) ← page address

**ADD <dest>,<src>**

**Function:** Add

**Description:** Adds the source operand to the destination operand, which can be a register or the accumulator, leaving the result in the register or accumulator. If there is a carry out of bit 7 (CY), the CY flag is set. If byte variables are added, and if there is a carry out of bit 3 (AC), the AC flag is set. For addition of unsigned integers, the CY flag indicates that an overflow occurred.

If there is a carry out of bit 6 but not out of bit 7, or a carry out of bit 7 but not bit 6, the OV flag is set. When adding signed integers, the OV flag indicates a negative number produced as the sum of two positive operands, or a positive sum from two negative operands.

Bit 6 and bit 7 in this description refer to the most significant byte of the operand (8, 16, or 32 bit).

Four source operand addressing modes are allowed: register, direct, register-indirect, and immediate.

**Flags:**

CY	AC	OV	N	Z
✓	✓	✓	✓	✓

**Example:** Register 1 contains 0C3H (11000011B) and register 0 contains 0AAH (10101010B). After executing the instruction

ADD R1,R0

register 1 contains 6DH (01101101B), the AC flag is clear, and the CY and OV flags are set.

**Variations**

**ADD A,#data**

	Binary Mode	Source Mode	
Bytes:	2	2	
States:	1	1	
[Encoding]	0 0 1 0	0 1 0 0	immed. data

Hex Code in: Binary Mode = [Encoding]  
Source Mode = [Encoding]

Operation: ADD  
(A) ← (A) + #data

**ADD A,dir8**

	Binary Mode	Source Mode
Bytes:	2	2
States:	1†	1†

†If this instruction addresses a port (Px, x = 0–3), add 1 state.

[Encoding] 

0 0 1 0
---------

0 1 0 1
---------

direct addr
-------------

Hex Code in: Binary Mode = [Encoding]  
Source Mode = [Encoding]

Operation: ADD  
(A) ← (A) + (dir8)

**ADD A,@Ri**

	Binary Mode	Source Mode
Bytes:	1	2
States:	2	3

[Encoding] 

0 0 1 0
---------

0 1 1 i
---------

Hex Code in: Binary Mode = [Encoding]  
Source Mode = [A5][Encoding]

Operation: ADD  
(A) ← (A) + ((Ri))

**ADD A,Rn**

	Binary Mode	Source Mode
Bytes:	1	2
States:	1	2

[Encoding] 

0 0 1 0
---------

1 r r r
---------

Hex Code in: Binary Mode = [Encoding]  
Source Mode = [A5][Encoding]

Operation: ADD  
(A) ← (A) + (Rn)

**ADD Rmd,Rms**

	Binary Mode	Source Mode
Bytes:	3	2
States:	2	1



[Encoding]	0 0 1 0	1 1 0 0	s s s s	S S S S
------------	---------	---------	---------	---------

Hex Code in: Binary Mode = [A5][Encoding]  
 Source Mode = [Encoding]

Operation: ADD  
 (Rmd) ← (Rmd) + (Rms)

**ADD WRjd,WRjs**

	Binary Mode	Source Mode
Bytes:	3	2
States:	3	2

[Encoding]	0 0 1 0	1 1 0 1	t t t t	T T T T
------------	---------	---------	---------	---------

Hex Code in: Binary Mode = [A5][Encoding]  
 Source Mode = [Encoding]

Operation: ADD  
 (WRjd) ← (WRjd) + (WRjs)

**ADD DRkd,DRks**

	Binary Mode	Source Mode
Bytes:	3	2
States:	5	4

[Encoding]	0 0 1 0	1 1 1 1	u u u u	U U U U
------------	---------	---------	---------	---------

Hex Code in: Binary Mode = [A5][Encoding]  
 Source Mode = [Encoding]

Operation: ADD  
 (DRkd) ← (DRkd) + (DRks)

**ADD Rm,#data**

	Binary Mode	Source Mode
Bytes:	4	3
States:	3	2

[Encoding]	0 0 1 0	1 1 1 0	s s s s	0 0 0 0	#data
------------	---------	---------	---------	---------	-------

Hex Code in: Binary Mode = [A5][Encoding]  
 Source Mode = [Encoding]

Operation: ADD  
 (Rm) ← (Rm) + #data

**ADD WRj,#data16**

	Binary Mode	Source Mode
Bytes:	5	4
States:	4	3

[Encoding]



Hex Code in: Binary Mode = [A5][Encoding]  
 Source Mode = [Encoding]

Operation: ADD  
 $(WRj) \leftarrow (WRj) + \#data16$

**ADD DRk,#0data16**

	Binary Mode	Source Mode
Bytes:	5	4
States:	6	5

[Encoding]



Hex Code in: Binary Mode = [A5][Encoding]  
 Source Mode = [Encoding]

Operation: ADD  
 $(DRk) \leftarrow (DRk) + \#data16$

**ADD Rm,dir8**

	Binary Mode	Source Mode
Bytes:	4	3
States:	3†	2†

†If this instruction addresses a port (Px, x = 0–3), add 1 state.

[Encoding]



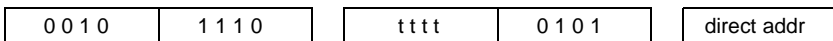
Hex Code in: Binary Mode = [A5][Encoding]  
 Source Mode = [Encoding]

Operation: ADD  
 $(Rm) \leftarrow (Rm) + (dir8)$

**ADD WRj,dir8**

	Binary Mode	Source Mode
Bytes:	4	3
States:	4	3

[Encoding]



Hex Code in: Binary Mode = [A5][Encoding]  
 Source Mode = [Encoding]

Operation: ADD  
 $(WRj) \leftarrow (WRj) + (dir8)$

**ADD Rm,dir16**

	Binary Mode	Source Mode
Bytes:	5	4
States:	3	2

[Encoding]



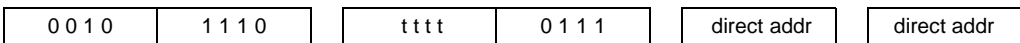
Hex Code in: Binary Mode = [A5][Encoding]  
 Source Mode = [Encoding]

Operation: ADD  
 $(Rm) \leftarrow (Rm) + (dir16)$

**ADD WRj,dir16**

	Binary Mode	Source Mode
Bytes:	5	4
States:	4	3

[Encoding]



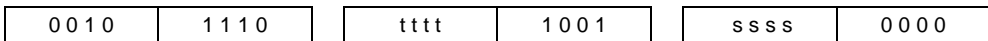
Hex Code in: Binary Mode = [A5][Encoding]  
 Source Mode = [Encoding]

Operation: ADD  
 $(WRj) \leftarrow (WRj) + (dir16)$

**ADD Rm,@WRj**

	Binary Mode	Source Mode
Bytes:	4	3
States:	3	2

[Encoding]



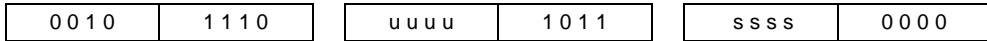
Hex Code in: Binary Mode = [A5][Encoding]  
 Source Mode = [Encoding]

Operation: ADD  
 $(Rm) \leftarrow (Rm) + ((WRj))$

**ADD Rm,@DRk**

	<b>Binary Mode</b>	<b>Source Mode</b>
<b>Bytes:</b>	4	3
<b>States:</b>	4	3

[Encoding]



**Hex Code in:** **Binary Mode = [A5][Encoding]**  
**Source Mode = [Encoding]**

**Operation:** ADD  
 (Rm) ← (Rm) + ((DRk))

**ADDC A,<src>**

**Function:** Add with carry

**Description:** Simultaneously adds the specified byte variable, the CY flag, and the accumulator contents, leaving the result in the accumulator. If there is a carry out of bit 7 (CY), the CY flag is set; if there is a carry out of bit 3 (AC), the AC flag is set. When adding unsigned integers, the CY flag indicates that an overflow occurred.

If there is a carry out of bit 6 but not out of bit 7, or a carry out of bit 7 but not bit 6, the OV flag is set. When adding signed integers, the OV flag indicates a negative number produced as the sum of two positive operands, or a positive sum from two negative operands.

Bit 6 and bit 7 in this description refer to the most significant byte of the operand (8, 16, or 32 bit)

Four source operand addressing modes are allowed: register, direct, register-indirect, and immediate.

**Flags:**

CY	AC	OV	N	Z
✓	✓	✓	✓	✓

**Example:** The accumulator contains 0C3H (11000011B), register 0 contains 0AAH (10101010B), and the CY flag is set. After executing the instruction

ADDC A,R0

the accumulator contains 6EH (01101110B), the AC flag is clear, and the CY and OV flags are set.

**Variations**

**ADDC A,#data**

	<b>Binary Mode</b>	<b>Source Mode</b>
<b>Bytes:</b>	2	2
<b>States:</b>	1	1

[Encoding] 

0 0 1 1	0 1 0 0
---------	---------

immed. data
-------------

Hex Code in: **Binary Mode = [Encoding]**  
**Source Mode = [Encoding]**  
 Operation: ADDC  
 $(A) \leftarrow (A) + (CY) + \#data$

**ADDC A,dir8**

	Binary Mode	Source Mode
Bytes:	2	2
States:	1†	1†

†If this instruction addresses a port (Px, x = 0–3), add 1 state.

[Encoding] 

0 0 1 1	0 1 0 1
---------	---------

direct addr
-------------

Hex Code in: **Binary Mode = [Encoding]**  
**Source Mode = [Encoding]**  
 Operation: ADDC  
 $(A) \leftarrow (A) + (CY) + (dir8)$

**ADDC A,@Ri**

	Binary Mode	Source Mode
Bytes:	1	2
States:	2	3

[Encoding] 

0 0 1 1	0 1 1 i
---------	---------

Hex Code in: **Binary Mode = [Encoding]**  
**Source Mode = [A5][Encoding]**  
 Operation: ADDC  
 $(A) \leftarrow (A) + (CY) + ((Ri))$

**ADDC A,Rn**

	Binary Mode	Source Mode
Bytes:	1	2
States:	1	2

[Encoding] 

0 0 1 1	1 r r r
---------	---------

Hex Code in: **Binary Mode = [Encoding]**  
**Source Mode = [A5][Encoding]**  
 Operation: ADDC  
 $(A) \leftarrow (A) + (CY) + (Rn)$

---

**AJMP addr11**

**Function:** Absolute jump

**Description:** Transfers program execution to the specified address, which is formed at run time by concatenating the upper five bits of the PC (after incrementing the PC twice), opcode bits 7–5, and the second byte of the instruction. The destination must therefore be within the same 2-Kbyte “page” of program memory as the first byte of the instruction following AJMP.

**Flags:**

CY	AC	OV	N	Z
—	—	—	—	—

**Example:** The label "JMPADR" is at program memory location 0123H. After executing the instruction

AJMP JMPADR

at location 0345H, the PC contains 0123H.

	Binary Mode	Source Mode
<b>Bytes:</b>	2	2
<b>States:</b>	3	3

**[Encoding]**

a10 a9 a8 0	0 0 0 1	a7 a6 a5 a4	a3 a2 a1 a0
-------------	---------	-------------	-------------

**Hex Code in:** **Binary Mode = [Encoding]**  
**Source Mode = [Encoding]**

**Operation:** AJMP  
(PC) ← (PC) + 2  
(PC.10:0) ← page address

---

**ANL <dest>,<src>**

**Function:** Logical-AND

**Description:** Performs the bitwise logical-AND ( $\wedge$ ) operation between the specified variables and stores the results in the destination variable.

The two operands allow 10 addressing mode combinations. When the destination is the register or accumulator, the source can use register, direct, register-indirect, or immediate addressing; when the destination is a direct address, the source can be the accumulator or immediate data.

Note: When this instruction is used to modify an output port, the value used as the original port data is read from the output data latch, not the input pins.

**Flags:**

CY	AC	OV	N	Z
—	—	—	✓	✓

**Example:** Register 1 contains 0C3H (11000011B) and register 0 contains 55H (01010101B). After executing the instruction

ANL R1,R0

register 1 contains 41H (01000001B).

When the destination is a directly addressed byte, this instruction clears combinations of bits in any RAM location or hardware register. The mask byte determining the pattern of bits to be cleared would either be an immediate constant contained in the instruction or a value computed in the register or accumulator at run time. The instruction

ANL P1,#01110011B

clears bits 7, 3, and 2 of output port 1.

**Variations**


---

**ANL dir8,A**

	Binary Mode	Source Mode	
<b>Bytes:</b>	2	2	
<b>States:</b>	2†	2†	

†If this instruction addresses a port (Px, x = 0–3), add 2 states.

**[Encoding]**

0 1 0 1
---------

0 0 1 0
---------

direct addr
-------------

**Hex Code in:**    **Binary Mode = [Encoding]**  
**Source Mode = [Encoding]**

**Operation:**    ANL  
 $(dir8) \leftarrow (dir8) \wedge (A)$

---

**ANL dir8,#data**

	Binary Mode	Source Mode	
<b>Bytes:</b>	3	3	
<b>States:</b>	3†	3†	

†If this instruction addresses a port (Px, x = 0–3), add 1 state.

**[Encoding]**

0 1 0 1
---------

0 0 1 1
---------

direct addr
-------------

immed. data
-------------

**Hex Code in:**    **Binary Mode = [Encoding]**  
**Source Mode = [Encoding]**

**Operation:**    ANL  
 $(dir8) \leftarrow (dir8) \wedge \#data$

---

**ANL A,#data**

	Binary Mode	Source Mode	
<b>Bytes:</b>	2	2	
<b>States:</b>	1	1	

**[Encoding]**

0 1 0 1
---------

0 1 0 0
---------

immed. data
-------------

Hex Code in: Binary Mode = [Encoding]  
Source Mode = [Encoding]

Operation: ANL  
(A) ← (A) ∧ #data

## ANL A,dir8

	Binary Mode	Source Mode
Bytes:	2	2
States:	1†	1†

†If this instruction addresses a port (Px, x = 0–3), add 1 state.

[Encoding] 

0 1 0 1
---------

0 1 0 1
---------

direct addr
-------------

Hex Code in: Binary Mode = [Encoding]  
Source Mode = [Encoding]

Operation: ANL  
(A) ← (A) ∧ (dir8)

## ANL A,@Ri

	Binary Mode	Source Mode
Bytes:	1	2
States:	2	3

[Encoding] 

0 1 0 1
---------

0 1 1 i
---------

Hex Code in: Binary Mode = [Encoding]  
Source Mode = [A5][Encoding]

Operation: ANL  
(A) ← (A) ∧ ((Ri))

## ANL A,Rn

	Binary Mode	Source Mode
Bytes:	1	2
States:	1	2

[Encoding] 

0 1 0 1
---------

1 r r r
---------

Hex Code in: Binary Mode = [Encoding]  
Source Mode = [A5][Encoding]

Operation: ANL  
(A) ← (A) ∧ (Rn)

## ANL Rmd,Rms

	Binary Mode	Source Mode
Bytes:	3	2
States:	2	1



[Encoding]	0 1 0 1	1 1 0 0	s s s s	S S S S
------------	---------	---------	---------	---------

Hex Code in: Binary Mode = [A5][Encoding]  
 Source Mode = [Encoding]

Operation: ANL  
 (Rmd) ← (Rmd)  $\wedge$  (Rms)

**ANL WRjd,WRjs**

	Binary Mode	Source Mode
Bytes:	3	2
States:	3	2

[Encoding]	0 1 0 1	1 1 0 1	t t t t	T T T T
------------	---------	---------	---------	---------

Hex Code in: Binary Mode = [A5][Encoding]  
 Source Mode = [Encoding]

Operation: ANL  
 (WRjd) ← (WRjd)  $\wedge$  (WRjs)

**ANL Rm,#data**

	Binary Mode	Source Mode
Bytes:	4	3
States:	3	2

[Encoding]	0 1 0 1	1 1 1 0	s s s s	0 0 0 0	#data
------------	---------	---------	---------	---------	-------

Hex Code in: Binary Mode = [A5][Encoding]  
 Source Mode = [Encoding]

Operation: ANL  
 (Rm) ← (Rm)  $\wedge$  #data

**ANL WRj,#data16**

	Binary Mode	Source Mode
Bytes:	5	4
States:	4	3

[Encoding]

0 1 0 1	1 1 1 0	t t t t	0 1 0 0	#data hi	#data low
---------	---------	---------	---------	----------	-----------

Hex Code in: Binary Mode = [A5][Encoding]  
 Source Mode = [Encoding]

Operation: ANL  
 (WRj) ← (WRj)  $\wedge$  #data16

**ANL Rm,dir8**

	Binary Mode	Source Mode
Bytes:	4	3
States:	3†	2†

†If this instruction addresses a port (Px, x = 0–3), add 1 state.

[Encoding]    

0 1 0 1	1 1 1 0
---------	---------

s s s s	0 0 0 1	direct addr
---------	---------	-------------

Hex Code in:    **Binary Mode = [A5][Encoding]**  
**Source Mode = [Encoding]**

Operation:    ANL  
(Rm) ← (Rm)  $\wedge$  (dir8)

**ANL WRj,dir8**

	Binary Mode	Source Mode
Bytes:	4	3
States:	4	3

[Encoding]    

0 1 0 1	1 1 1 0
---------	---------

t t t t	0 1 0 1	direct addr
---------	---------	-------------

Hex Code in:    **Binary Mode = [A5][Encoding]**  
**Source Mode = [Encoding]**

Operation:    ANL  
(WRj) ← (WRj)  $\wedge$  (dir8)

**ANL Rm,dir16**

	Binary Mode	Source Mode
Bytes:	5	4
States:	3	2

[Encoding]

0 1 0 1	1 1 1 0	s s s s	0 0 1 1	direct	direct
---------	---------	---------	---------	--------	--------

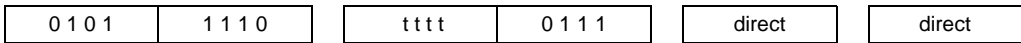
Hex Code in:    **Binary Mode = [A5][Encoding]**  
**Source Mode = [Encoding]**

Operation:    ANL  
(Rm) ← (Rm)  $\wedge$  (dir16)

**ANL WRj,dir16**

	Binary Mode	Source Mode
Bytes:	5	4
States:	4	3

[Encoding]



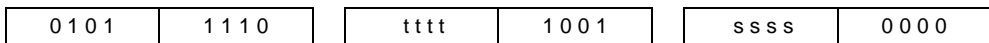
Hex Code in: **Binary Mode = [A5][Encoding]**  
**Source Mode = [Encoding]**

Operation: ANL  
 $(WRj) \leftarrow (WRj) \wedge (\text{dir}16)$

ANL Rm,@WRj

	Binary Mode	Source Mode
Bytes:	4	3
States:	3	2

[Encoding]



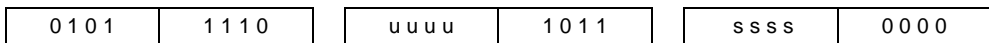
Hex Code in: **Binary Mode = [A5][Encoding]**  
**Source Mode = [Encoding]**

Operation: ANL  
 $(Rm) \leftarrow (Rm) \wedge ((WRj))$

ANL Rm,@DRk

	Binary Mode	Source Mode
Bytes:	4	3
States:	4	3

[Encoding]



Hex Code in: **Binary Mode = [A5][Encoding]**  
**Source Mode = [Encoding]**

Operation: ANL  
 $(Rm) \leftarrow (Rm) \wedge ((DRk))$

ANL CY,<src-bit>

Function: Logical-AND for bit variables

Description: If the Boolean value of the source bit is a logical 0, clear the CY flag; otherwise leave the CY flag in its current state. A slash ("/") preceding the operand in the assembly language indicates that the logical complement of the addressed bit is used as the source value, but the source bit itself is not affected.

Only direct addressing is allowed for the source operand.

**Flags:**

CY	AC	OV	N	Z
✓	—	—	—	—

**Example:** Set the CY flag if, and only if, P1.0 = 1, ACC. 7 = 1, and OV = 0:

```
MOV CY,P1.0 ;Load carry with input pin state
ANL CY,ACC.7 ;AND carry with accumulator bit 7
ANL CY,/OV ;AND with inverse of overflow flag
```

**ANL CY,bit51**

**Binary Mode    Source Mode**

**Bytes:**                    2                    2  
**States:**                1†                1†

†If this instruction addresses a port (Px, x = 0–3), add 1 state.

**[Encoding]**

1 0 0 0
---------

0 0 1 0
---------

bit addr
----------

**Hex Code in:**    **Binary Mode = [Encoding]**  
**Source Mode = [Encoding]**

**Operation:**        ANL  
 (CY) ← (CY) ∧ (bit51)

**ANL CY,/bit51**

**Binary Mode    Source Mode**

**Bytes:**                    2                    2  
**States:**                1†                1†

†If this instruction addresses a port (Px, x = 0–3), add 1 state.

**[Encoding]**

1 0 1 1
---------

0 0 0 0
---------

bit addr
----------

**Hex Code in:**    **Binary Mode = [Encoding]**  
**Source Mode = [Encoding]**

**Operation:**        ANL  
 (CY) ← (CY) ∧ Ø (bit51)

**ANL CY,bit**

**Binary Mode    Source Mode**

**Bytes:**                    4                    3  
**States:**                3†                2†

†If this instruction addresses a port (Px, x = 0–3), add 1 state.

**[Encoding]**  

1 0 1 0
---------

1 0 0 1
---------

1 0 0 0
---------

0
---

y y y
-------

dir addr
----------

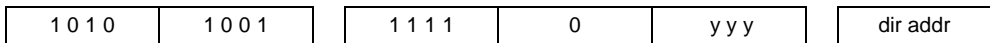
**Hex Code in:**    **Binary Mode = [A5][Encoding]**  
**Source Mode = [Encoding]**

**Operation:** ANL  
 $(CY) \leftarrow (CY) \wedge (\text{bit})$

**ANL CY,/bit**

	Binary Mode	Source Mode
<b>Bytes:</b>	4	3
<b>States:</b>	3†	2†

†If this instruction addresses a port (Px, x = 0–3), add 1 state.

**[Encoding]**


**Hex Code in:** Binary Mode = [A5][Encoding]  
 Source Mode = [Encoding]

**Operation:** ANL  
 $(CY) \leftarrow (CY) \wedge \emptyset (\text{bit})$

**CJNE <dest>,<src>,rel**

**Function:** Compare and jump if not equal.

**Description:** Compares the magnitudes of the first two operands and branches if their values are not equal. The branch destination is computed by adding the signed relative displacement in the last instruction byte to the PC, after incrementing the PC to the start of the next instruction. If the unsigned integer value of <dest-byte> is less than the unsigned integer value of <src-byte>, the CY flag is set. Neither operand is affected.

The first two operands allow four addressing mode combinations: the accumulator may be compared with any directly addressed byte or immediate data, and any indirect RAM location or working register can be compared with an immediate constant.

**Flags:**

CY	AC	OV	N	Z
✓	—	—	✓	✓

**Example:** The accumulator contains 34H and R7 contains 56H. After executing the first instruction in the sequence

```

                CJNE    R7,#60H,NOT_EQ
;                ...          ...          ;R7 = 60H
NOT_EQ:        JC      REQ_LOW          ; IF R7 < 60H
;                ...          ...          ;R7 > 60H
    
```

the CY flag is set and program execution continues at label NOT\_EQ. By testing the CY flag, this instruction determines whether R7 is greater or less than 60H.

If the data being presented to Port 1 is also 34H, then executing the instruction,

```
WAIT: CJNE A,P1,WAIT
```

clears the CY flag and continues with the next instruction in the sequence, since the accumulator does equal the data read from P1. (If some other value was being input on P1, the program loops at this point until the P1 data changes to 34H.)

## Variations

**CJNE A,#data,rel**

	Binary Mode		Source Mode	
	Not Taken	Taken	Not Taken	Taken
Bytes:	3	3	3	3
States:	2	5	2	5
<b>[Encoding]</b>	1 0 1 1	0 1 0 0	immed. data	rel. addr

**Hex Code in:** Binary Mode = [Encoding]  
Source Mode = [Encoding]

**Operation:** (PC) ← (PC) + 3  
IF (A) ≠ #data  
THEN  
    (PC) ← (PC) + relative offset  
IF (A) < #data  
THEN  
    (CY) ← 1  
ELSE  
    (CY) ← 0

**CJNE A,dir8,rel**

	Binary Mode		Source Mode	
	Not Taken	Taken	Not Taken	Taken
Bytes:	3	3	3	3
States:	3	6	3	6
<b>[Encoding]</b>	1 0 1 1	0 1 0 1	direct addr	rel. addr

**Hex Code in:** Binary Mode = [Encoding]  
Source Mode = [Encoding]

**Operation:** (PC) ← (PC) + 3  
IF (A) ≠ dir8  
THEN  
    (PC) ← (PC) + relative offset  
IF (A) < dir8  
THEN  
    (CY) ← 1  
ELSE  
    (CY) ← 0

**CJNE @Ri,#data,rel**

	Binary Mode		Source Mode	
	Not Taken	Taken	Not Taken	Taken
Bytes:	3	3	4	4
States:	3	6	4	7

[Encoding]	1 0 1 1	0 1 1 i	immed. data	rel. addr
------------	---------	---------	-------------	-----------

Hex Code in: **Binary Mode = [Encoding]**  
**Source Mode = [A5][Encoding]**

**Operation:** (PC) ← (PC) + 3  
 IF ((Ri)) ≠ #data  
 THEN (PC) ← (PC) + relative offset  
 IF ((Ri)) < #data  
 THEN (CY) ← 1  
 ELSE (CY) ← 0

**CJNE Rn,#data,rel**

	Binary Mode		Source Mode	
	Not Taken	Taken	Not Taken	Taken
Bytes:	3	3	4	4
States:	2	5	3	6

[Encoding]	1 0 1 1	1 r r r	immed. data	rel. addr
------------	---------	---------	-------------	-----------

Hex Code in: **Binary Mode = [Encoding]**  
**Source Mode = [A5][Encoding]**

**Operation:** (PC) ← (PC) + 3  
 IF (Rn) ≠ #data  
 THEN (PC) ← (PC) + relative offset  
 IF (Rn) < #data  
 THEN (CY) ← 1  
 ELSE (CY) ← 0

**CLR A**

**Function:** Clear accumulator

**Description:** Clears the accumulator (i.e., resets all bits to zero).

**Flags:**

CY	AC	OV	N	Z
—	—	—	✓	✓

**Example:** The accumulator contains 5CH (01011100B). The instruction

CLR A

clears the accumulator to 00H (00000000B).

	<b>Binary Mode</b>	<b>Source Mode</b>
<b>Bytes:</b>	1	1
<b>States:</b>	1	1

**[Encoding]**

1 1 1 0	0 1 0 0
---------	---------

**Hex Code in:**    **Binary Mode = [Encoding]**  
**Source Mode = [Encoding]**

**Operation:**      CLR  
 (A) ← 0

**CLR bit**

**Function:**        Clear bit

**Description:**    Clears the specified bit. CLR can operate on the CY flag or any directly addressable bit.

**Flags:**            Only for instructions with CY as the operand.

CY	AC	OV	N	Z
✓	—	—	—	—

**Example:**        Port 1 contains 5DH (01011101B). After executing the instruction

CLR P1.2

port 1 contains 59H (01011001B).

**Variations**

**CLR bit51**

	<b>Binary Mode</b>	<b>Source Mode</b>
<b>Bytes:</b>	4	3
<b>States:</b>	2†	2†

†If this instruction addresses a port (Px, x = 0–3), add 2 states.

**[Encoding]**

1 1 0 0	0 0 1 0
---------	---------

Bit addr
----------

**Hex Code in:**    **Binary Mode = [Encoding]**  
**Source Mode = [Encoding]**

**Operation:**      CLR  
 (bit51) ← 0

**CLR CY**

	<b>Binary Mode</b>	<b>Source Mode</b>
<b>Bytes:</b>	1	1
<b>States:</b>	1	1

**[Encoding]**

1 1 0 0	0 0 1 1
---------	---------



Hex Code in: Binary Mode = [Encoding]  
 Source Mode = [Encoding]

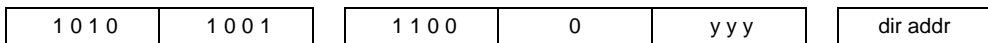
Operation: CLR  
 (CY) ← 0

CLR bit

	Binary Mode	Source Mode
Bytes:	4	4
States:	4†	3†

†If this instruction addresses a port (Px, x = 0–3), add 2 states.

[Encoding]



Hex Code in: Binary Mode = [A5][Encoding]  
 Source Mode = [Encoding]

Operation: CLR  
 (bit) ← 0

CMP <dest>, <src>

Function: Compare

Description: Subtracts the source operand from the destination operand. The result is not stored in the destination operand. If a borrow is needed for bit 7, the CY (borrow) flag is set; otherwise it is clear.

When subtracting signed integers, the OV flag indicates a negative result when a negative value is subtracted from a positive value, or a positive result when a positive value is subtracted from a negative value.

Bit 7 in this description refers to the most significant byte of the operand (8, 16, or 32 bit)

The source operand allows four addressing modes: register, direct, immediate and indirect.

Flags:

CY	AC	OV	N	Z
✓	✓	✓	✓	✓

Example: Register 1 contains 0C9H (11001001B) and register 0 contains 54H (01010100B). The instruction

CLR R1,R0

clears the CY and AC flags and sets the OV flag.

Variations

CMP Rmd,Rms

	Binary Mode	Source Mode
Bytes:	3	2
States:	2	1

[Encoding] 

1 0 1 1	1 1 0 0
---------	---------

s s s s	S S S S
---------	---------

Hex Code in: Binary Mode = [A5][Encoding]  
Source Mode = [Encoding]

Operation: CMP  
(Rmd) – (Rms)

**CMP WRjd,WRjs**

	Binary Mode	Source Mode
Bytes:	3	2
States:	3	2

[Encoding] 

1 0 1 1	1 1 1 0
---------	---------

t t t t	T T T T
---------	---------

Hex Code in: Binary Mode = [A5][Encoding]  
Source Mode = [Encoding]

Operation: CMP  
(WRjd) – (WRjs)

**CMP DRkd,DRks**

	Binary Mode	Source Mode
Bytes:	3	2
States:	5	4

[Encoding] 

1 0 1 1	1 1 1 1
---------	---------

u u u u	U U U U
---------	---------

Hex Code in: Binary Mode = [A5][Encoding]  
Source Mode = [Encoding]

Operation: CMP  
(DRkd) – (DRks)

**CMP Rm,#data**

	Binary Mode	Source Mode
Bytes:	4	3
States:	3	2

[Encoding] 

1 0 1 1	1 1 1 0
---------	---------

s s s s	0 0 0 0
---------	---------

# data
--------

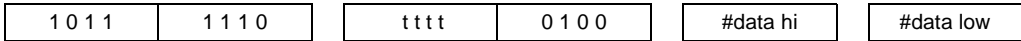
Hex Code in: Binary Mode = [A5][Encoding]  
Source Mode = [Encoding]

Operation: CMP  
(Rm) – #data

**CMP WRj,#data16**

	Binary Mode	Source Mode
Bytes:	5	4
States:	4	3

[Encoding]



Hex Code in: Binary Mode = [A5][Encoding]  
 Source Mode = [Encoding]

Operation: CMP  
 (WRj) – #data16

**CMP DRk,#0data16**

	Binary Mode	Source Mode
Bytes:	5	4
States:	6	5

[Encoding]



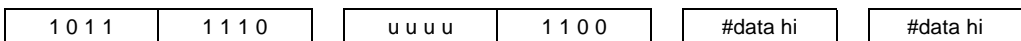
Hex Code in: Binary Mode = [A5][Encoding]  
 Source Mode = [Encoding]

Operation: CMP  
 (DRk) – #0data16

**CMP DRk,#1data16**

	Binary Mode	Source Mode
Bytes:	5	4
States:	6	5

[Encoding]



Hex Code in: Binary Mode = [A5][Encoding]  
 Source Mode = [Encoding]

Operation: CMP  
 (DRk) – #1data16

**CMP Rm,dir8**

	Binary Mode	Source Mode
Bytes:	4	3
States:	3†	2†

†If this instruction addresses a port (Px, x = 0–3), add 1 state.



Hex Code in: **Binary Mode = [A5][Encoding]**  
**Source Mode = [Encoding]**

Operation: CMP  
 (Rm) – (dir8)

**CMP WRj,dir8**

	Binary Mode	Source Mode		
Bytes:	4	3		
States:	4	3		



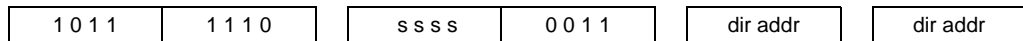
Hex Code in: **Binary Mode = [A5][Encoding]**  
**Source Mode = [Encoding]**

Operation: CMP  
 (WRj) – (dir8)

**CMP Rm,dir16**

	Binary Mode	Source Mode		
Bytes:	5	4		
States:	3	2		

[Encoding]



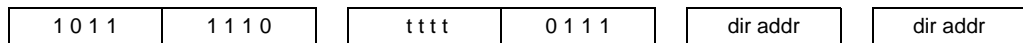
Hex Code in: **Binary Mode = [A5][Encoding]**  
**Source Mode = [Encoding]**

Operation: CMP  
 (Rm) – (dir16)

**CMP WRj,dir16**

	Binary Mode	Source Mode		
Bytes:	5	4		
States:	4	3		

[Encoding]



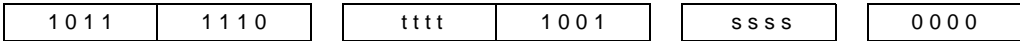
Hex Code in: **Binary Mode = [A5][Encoding]**  
**Source Mode = [Encoding]**

Operation: CMP  
 (WRj) – (dir16)

**CMP Rm,@WRj**

	<b>Binary Mode</b>	<b>Source Mode</b>
<b>Bytes:</b>	4	3
<b>States:</b>	3	2

[Encoding]



**Hex Code in:** Binary Mode = [A5][Encoding]  
 Source Mode = [Encoding]

**Operation:** CMP  
 (Rm) – ((WRj))

**CMP Rm,@DRk**

	<b>Binary Mode</b>	<b>Source Mode</b>
<b>Bytes:</b>	4	3
<b>States:</b>	4	3

[Encoding]



**Hex Code in:** Binary Mode = [A5][Encoding]  
 Source Mode = [Encoding]

**Operation:** CMP  
 (Rm) – ((DRk))

**CPL A**

**Function:** Complement accumulator

**Description:** Logically complements (Ø) each bit of the accumulator (one's complement). Clear bits are set and set bits are cleared.

**Flags:**

CY	AC	OV	N	Z
—	—	—	✓	✓

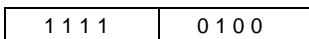
**Example:** The accumulator contains 5CH (01011100B). After executing the instruction

CPL A

the accumulator contains 0A3H (10100011B).

	<b>Binary Mode</b>	<b>Source Mode</b>
<b>Bytes:</b>	1	1
<b>States:</b>	1	1

[Encoding]



**Hex Code in:** Binary Mode = [Encoding]  
 Source Mode = [Encoding]

**Operation:** CPL  
 $(A) \leftarrow \bar{\varnothing}(A)$

**CPL bit**

**Function:** Complement bit  
**Description:** Complements ( $\bar{\varnothing}$ ) the specified bit variable. A clear bit is set, and a set bit is cleared. CPL can operate on the CY or any directly addressable bit.

Note: When this instruction is used to modify an output pin, the value used as the original data is read from the output data latch, not the input pin.

**Flags:** Only for instructions with CY as the operand.

CY	AC	OV	N	Z
✓	—	—	—	—

**Example:** Port 1 contains 5BH (01011101B). After executing the instruction sequence

CPL P1.1  
 CPL P1.2

port 1 contains 5BH (01011011B).

**Variations**

**CPL bit51**

	Binary Mode	Source Mode
<b>Bytes:</b>	2	2
<b>States:</b>	2†	2†

†If this instruction addresses a port (Px, x = 0–3), add 2 states.

**[Encoding]**

1 0 1 1	0 0 1 0
---------	---------

bit addr
----------

**Hex Code in:** Binary Mode = [Encoding]  
 Source Mode = [Encoding]

**Operation:** CPL  
 $(bit51) \leftarrow \bar{\varnothing}(bit51)$

**CPL CY**

	Binary Mode	Source Mode
<b>Bytes:</b>	1	1
<b>States:</b>	1	1

**[Encoding]**

1 0 1 1	0 0 1 1
---------	---------

**Hex Code in:** Binary Mode = [Encoding]  
 Source Mode = [Encoding]

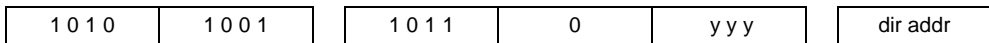
**Operation:** CPL  
(CY) ← Ø(CY)

**CPL bit**

	Binary Mode	Source Mode
<b>Bytes:</b>	4	3
<b>States:</b>	4†	3†

†If this instruction addresses a port (Px, x = 0–3), add 2 states.

**[Encoding]**



**Hex Code in:** Binary Mode = [A5][Encoding]  
Source Mode = [Encoding]

**Operation:** CPL  
(bit) ← Ø(bit)

**DA A**

**Function:** Decimal-adjust accumulator for addition

**Description:** Adjusts the 8-bit value in the accumulator that resulted from the earlier addition of two variables (each in packed-BCD format), producing two 4-bit digits. Any ADD or ADDC instruction may have been used to perform the addition.

If accumulator bits 3:0 are greater than nine (XXXX1010–XXXX1111), or if the AC flag is set, six is added to the accumulator, producing the proper BCD digit in the low nibble. This internal addition sets the CY flag if a carry out of the lowest 4 bits propagated through all higher bits, but it does not clear the CY flag otherwise.

If the CY flag is now set, or if the upper four bits now exceed nine (1010XXXX–1111XXXX), these four bits are incremented by six, producing the proper BCD digit in the high nibble. Again, this sets the CY flag if there was a carry out of the upper four bits, but does not clear the carry. The CY flag thus indicates if the sum of the original two BCD variables is greater than 100, allowing multiple-precision decimal addition. The OV flag is not affected.

All of this occurs during one instruction cycle. Essentially, this instruction performs the decimal conversion by adding 00H, 06H, 60H, or 66H to the accumulator, depending on initial accumulator and PSW conditions.

Note: DA A cannot simply convert a hexadecimal number in the accumulator to BCD notation, nor does DA A apply to decimal subtraction.

**Flags:**

CY	AC	OV	N	Z
✓	—	—	✓	✓

**Example:** The accumulator contains 56H (01010110B), which represents the packed BCD digits of the decimal number 56. Register 3 contains 67H (01100111B), which represents the packed BCD digits of the decimal number 67. The CY flag is set. After executing the instruction sequence

```
ADDC A,R3
DA A
```

the accumulator contains 0BEH (10111110) and the CY and AC flags are clear. The Decimal Adjust instruction then alters the accumulator to the value 24H (00100100B), indicating the packed BCD digits of the decimal number 24, the lower two digits of the decimal sum of 56, 67, and the carry-in. The CY flag is set by the Decimal Adjust instruction, indicating that a decimal overflow occurred. The true sum of 56, 67, and 1 is 124.

BCD variables can be incremented or decremented by adding 01H or 99H. If the accumulator contains 30H (representing the digits of 30 decimal), then the instruction sequence,

```
ADD A,#99H
DA A
```

leaves the CY flag set and 29H in the accumulator, since  $30 + 99 = 129$ . The low byte of the sum can be interpreted to mean  $30 - 1 = 29$ .

	Binary Mode	Source Mode
Bytes:	1	1
States:	1	1
[Encoding]	1 1 0 1	0 1 0 0

Hex Code in: **Binary Mode = [Encoding]**  
**Source Mode = [Encoding]**

**Operation:** DA  
 (Contents of accumulator are BCD)  
 IF  $[(A.3:0) > 9] \vee [(AC) = 1]$   
 THEN  $(A.3:0) \leftarrow (A.3:0) + 6$   
 AND  
 IF  $[(A.7:4) > 9] \vee [(CY) = 1]$   
 THEN  $(A.7:4) \leftarrow (A.7:4) + 6$

**DEC byte**

**Function:** Decrement

**Description:** Decrements the specified byte variable by 1. An original value of 00H underflows to 0FFH. Four operands addressing modes are allowed: accumulator, register, direct, or register-indirect.

Note: When this instruction is used to modify an output port, the value used as the original port data is read from the output data latch, not the input pins.

**Flags:**

CY	AC	OV	N	Z
—	—	—	✓	✓



**Example:** Register 0 contains 7FH (01111111B). On-chip RAM locations 7EH and 7FH contain 00H and 40H, respectively. After executing the instruction sequence

```
DEC @R0
DEC R0
DEC @R0
```

register 0 contains 7EH and on-chip RAM locations 7EH and 7FH are set to 0FFH and 3FH, respectively.

**Variations**
**DEC A**

	Binary Mode	Source Mode
Bytes:	1	1
States:	1	1

[Encoding] 

0 0 0 1	0 1 0 0
---------	---------

Hex Code in: **Binary Mode = [Encoding]**  
**Source Mode = [Encoding]**

Operation: DEC  
 $(A) \leftarrow (A) - 1$

**DEC dir8**

	Binary Mode	Source Mode
Bytes:	2	2
States:	2†	2†

†If this instruction addresses a port (Px, x = 0–3), add 2 states.

[Encoding] 

0 0 0 1	0 1 0 1
---------	---------

dir addr
----------

Hex Code in: **Binary Mode = [Encoding]**  
**Source Mode = [Encoding]**

Operation: DEC  
 $(dir8) \leftarrow (dir8) - 1$

**DEC @Ri**

	Binary Mode	Source Mode
Bytes:	1	2
States:	3	4

[Encoding] 

0 0 0 1	0 1 1 i
---------	---------

Hex Code in: **Binary Mode = [Encoding]**  
**Source Mode = [A5][Encoding]**

Operation: DEC  
 $((Ri)) \leftarrow ((Ri)) - 1$

---

**DEC Rn**

	Binary Mode	Source Mode
Bytes:	1	2
States:	1	2

[Encoding]	0 0 0 1	1 r r r
------------	---------	---------

Hex Code in: **Binary Mode = [Encoding]**  
**Source Mode = [A5][Encoding]**

Operation: DEC  
 $(Rn) \leftarrow (Rn) - 1$

---

**DEC <dest>,<src>**

Function: Decrement

Description: Decrements the specified variable at the destination operand by 1, 2, or 4. An original value of 00H underflows to 0FFH.

Flags:

CY	AC	OV	N	Z
—	—	—	✓	✓

Example: Register 0 contains 7FH (01111111B). After executing the instruction sequence  
 DEC R0,#1  
 register 0 contains 7EH.

**Variations**

---

**DEC Rm,#short**

	Binary Mode	Source Mode
Bytes:	3	2
States:	2	1

[Encoding]	0 0 0 1	1 0 1 1	s s s s	0 1	v v
------------	---------	---------	---------	-----	-----

Hex Code in: **Binary Mode = [A5][Encoding]**  
**Source Mode = [Encoding]**

Operation: DEC  
 $(Rm) \leftarrow (Rm) - \text{\#short}$

---

**DEC WRj,#short**

	Binary Mode	Source Mode
Bytes:	3	2
States:	2	1

[Encoding]	0 0 0 1	1 0 1 1	tttt	0 1	vv
------------	---------	---------	------	-----	----

Hex Code in: **Binary Mode = [A5][Encoding]**  
**Source Mode = [Encoding]**

Operation: DEC  
(WRj) ← (WRj) – #short

**DEC DRk,#short**

	<b>Binary Mode</b>	<b>Source Mode</b>
Bytes:	3	2
States:	5	4

[Encoding]	0 0 0 1	1 0 1 1	uuuu	1 1	vv
------------	---------	---------	------	-----	----

Hex Code in: **Binary Mode = [A5][Encoding]**  
**Source Mode = [Encoding]**

Operation: DEC  
(DRk) ← (DRk) – #short

**DIV <dest>,<src>**

Function: Divide

Description: Divides the unsigned integer in the register by the unsigned integer operand in register addressing mode and clears the CY and OV flags.

For byte operands (<dest>,<src> = Rmd,Rms) the result is 16 bits. The 8-bit quotient is stored in the higher byte of the word where Rmd resides; the 8-bit remainder is stored in the lower byte of the word where Rmd resides. For example: Register 1 contains 251 (0FBH or 11111011B) and register 5 contains 18 (12H or 00010010B). After executing the instruction

DIV R1,R5

register 1 contains 13 (0DH or 00001101B); register 0 contains 17 (11H or 00010001B), since 251 = (13 X 18) + 17; and the CY and OV bits are clear (see Flags).

Flags: The CY flag is cleared. The N flag is set if the MSB of the quotient is set. The Z flag is set if the quotient is zero.

CY	AC	OV	N	Z
0	—	✓	✓	✓

**Exception:** if <src> contains 00H, the values returned in both operands are undefined; the CY flag is cleared, OV flag is set, and the rest of the flags are undefined.

CY	AC	OV	N	Z
0	—	1	?	?

Variations

DIV Rmd Rms

	Binary Mode	Source Mode		
Bytes:	3	2		
States:	11	10		
[Encoding]	1 0 0 0	1 1 0 0	s s s s	S S S S
Hex Code in:	<b>Binary Mode = [A5][Encoding]</b> <b>Source Mode = [Encoding]</b>			
Operation:	DIV (8-bit operands) (Rmd) ← remainder (Rmd) / (Rms) if <dest> md = 0,2,4,...,14 (Rmd+1) ← quotient (Rmd) / (Rms)  (Rmd-1) ← remainder (Rmd) / (Rms) if <dest> md = 1,3,5,...,15 (Rmd) ← quotient (Rmd) / (Rms)			

DIV WRjd,WRjs

	Binary Mode	Source Mode		
Bytes:	3	2		
States:	22	21		
[Encoding]	1 0 0 0	1 1 0 1	t t t t	T T T T
Hex Code in:	<b>Binary Mode = [A5][Encoding]</b> <b>Source Mode = [Encoding]</b>			
Operation:	DIV (16-bit operands) (WRjd) ← remainder (WRjd) / (WRjs) if <dest> jd = 0, 4, 8, ... 28 (WRjd+2) ← quotient (WRjd) / (WRjs)  (WRjd-2) ← remainder (WRjd) / (WRjs) if <dest> jd = 2, 6, 10, ... 30 (WRjd) ← quotient (WRjd) / (WRjs)			

For word operands (<dest>, <src> = WRjd,WRjs) the 16-bit quotient is in WR(jd+2), and the 16-bit remainder is in WRjd. For example, for a destination register WR4, assume the quotient is 1122H and the remainder is 3344H. Then, the results are stored in these register file locations:

Location	4	5	6	7
Contents	33H	44H	11H	22H

DIV AB

<b>Function:</b>	Divide
<b>Description:</b>	Divides the unsigned 8-bit integer in the accumulator by the unsigned 8-bit integer in register B. The accumulator receives the integer part of the quotient; register B receives the integer remainder. The CY and OV flags are cleared.

Exception: if register B contains 00H, the values returned in the accumulator and register B are undefined; the CY flag is cleared and the OV flag is set.

**Flags:**

CY	AC	OV	N	Z
0	—	✓	✓	✓

For division by zero:

CY	AC	OV	N	Z
0	—	1	?	?

**Hex Code in:** **Binary Mode = [Encoding]**  
**Source Mode = [Encoding]**

**Example:** The accumulator contains 251 (0FBH or 11111011B) and register B contains 18 (12H or 00010010B). After executing the instruction

DIV AB

the accumulator contains 13 (0DH or 00001101B); register B contains 17 (11H or 00010001B), since  $251 = (13 \times 18) + 17$ ; and the CY and OV flags are clear.

**Binary Mode    Source Mode**

**Bytes:**                    1                    1  
**States:**                10                10

**[Encoding]**

1 0 0 0	0 1 0 0
---------	---------

**Hex Code in:** **Binary Mode = [Encoding]**  
**Source Mode = [Encoding]**

**Operation:** DIV  
(A) ← quotient (A)/(B)  
(B) ← remainder (A)/(B)

**DJNZ <byte>,<rel-addr>**

**Function:** Decrement and jump if not zero

**Description:** Decrements the specified location by 1 and branches to the address specified by the second operand if the resulting value is not zero. An original value of 00H underflows to 0FFH. The branch destination is computed by adding the signed relative-displacement value in the last instruction byte to the PC, after incrementing the PC to the first byte of the following instruction.

The location decremented may be a register or directly addressed byte.

Note: When this instruction is used to modify an output port, the value used as the original port data is read from the output data latch, not the input pins.

**Flags:**

CY	AC	OV	N	Z
—	—	—	✓	✓

**Example:** The on-chip RAM locations 40H, 50H, and 60H contain 01H, 70H, and 15H, respectively. After executing the following instruction sequence

```
DJNZ 40H,LABEL1
DJNZ 50H,LABEL2
DJNZ 60H,LABEL
```

on-chip RAM locations 40H, 50H, and 60H contain 00H, 6FH, and 14H, respectively, and program execution continues at label LABEL2. (The first jump was not taken because the result was zero.)

This instruction provides a simple way of executing a program loop a given number of times, or for adding a moderate time delay (from 2 to 512 machine cycles) with a single instruction.

The instruction sequence,

```
MOV R2,#8
TOGGLE: CPL P1.7
DJNZ R2,TOGGLE
```

toggles P1.7 eight times, causing four output pulses to appear at bit 7 of output Port 1. Each pulse lasts three states: two for DJNZ and one to alter the pin.

**Variations**

**DJNZ dir8,rel**

	Binary Mode		Source Mode	
	Not Taken	Taken	Not Taken	Taken
Bytes:	3	3	3	3
States:	3	6	3	6
<b>[Encoding]</b>	1 1 0 1	0 1 0 1	direct addr	rel. addr

**Hex Code in:** Binary Mode = [Encoding]  
 Source Mode = [Encoding]

**Operation:** DJNZ  
 $(PC) \leftarrow (PC) + 2$   
 $(dir8) \leftarrow (dir8) - 1$   
 IF  $(dir8) > 0$  or  $(dir8) < 0$   
 THEN  
 $(PC) \leftarrow (PC) + rel$

**DJNZ Rn,rel**

	Binary Mode		Source Mode	
	Not Taken	Taken	Not Taken	Taken
Bytes:	2	2	3	3
States:	2	5	3	6
<b>[Encoding]</b>	1 1 0 1	1 r r r	rel. addr	

**Hex Code in:** Binary Mode = [Encoding]  
 Source Mode = [A5][Encoding]

**Operation:** DJNZ  
 $(PC) \leftarrow (PC) + 2$   
 $(Rn) \leftarrow (Rn) - 1$   
 IF  $(Rn) > 0$  or  $(Rn) < 0$   
 THEN  
 $(PC) \leftarrow (PC) + rel$

**ECALL <dest>**

**Function:** Extended call

**Description:** Calls a subroutine located at the specified address. The instruction adds four to the program counter to generate the address of the next instruction and then pushes the 24-bit result onto the stack (high byte first), incrementing the stack pointer by three. The 8 bits of the high word and the 16 bits of the low word of the PC are then loaded, respectively, with the second, third and fourth bytes of the ECALL instruction. Program execution continues with the instruction at this address. The subroutine may therefore begin anywhere in the full 16-Mbyte memory space.

**Flags:**

CY	AC	OV	N	Z
—	—	—	—	—

**Example:** The stack pointer contains 07H and the label "SUBRTN" is assigned to program memory location 123456H. After executing the instruction

ECALL SUBRTN

at location 012345H, SP contains 0AH; on-chip RAM locations 08H, 09H and 0AH contain 01H, 23H and 45H, respectively; and the PC contains 123456H.

**Variations**
**ECALL addr24**

	Binary Mode	Source Mode
<b>Bytes:</b>	5	4
<b>States:</b>	14	13

<b>[Encoding]</b>	1 0 0 1	1 0 1 0	addr23– addr16	addr15–addr8	addr7–addr0
-------------------	---------	---------	-------------------	--------------	-------------

**Hex Code in:** Binary Mode = [A5][Encoding]  
 Source Mode = [Encoding]

**Operation:** ECALL  
 $(PC) \leftarrow (PC) + 4$   
 $(SP) \leftarrow (SP) + 1$   
 $((SP)) \leftarrow (PC.23:16)$   
 $(SP) \leftarrow (SP) + 1$   
 $((SP)) \leftarrow (PC.15:8)$   
 $(SP) \leftarrow (SP) + 1$   
 $((SP)) \leftarrow (PC.7:0)$   
 $(PC) \leftarrow (addr.23:0)$

**ECALL @DRk**

	<b>Binary Mode</b>	<b>Source Mode</b>
<b>Bytes:</b>	3	2
<b>States:</b>	12	11

**[Encoding]**

1 0 0 1
---------

1 0 0 1
---------

u u u u
---------

**Hex Code in:** **Binary Mode = [A5][Encoding]**  
**Source Mode = [Encoding]**

**Operation:** ECALL  
(PC) ← (PC) + 4  
(SP) ← (SP) + 1  
((SP)) ← (PC.23:16)  
(SP) ← (SP) + 1  
((SP)) ← (PC.15:8)  
(SP) ← (SP) + 1  
((SP)) ← (PC.7:0)  
(PC) ← ((DRk))

**EJMP <dest>**

**Function:** Extended jump

**Description:** Causes an unconditional branch to the specified address by loading the 8 bits of the high order and 16 bits of the low order words of the PC with the second, third, and fourth instruction bytes. The destination may be therefore be anywhere in the full 16-Mbyte memory space.

**Flags:**

CY	AC	OV	N	Z
—	—	—	—	—

**Example:** The label "JMPADR" is assigned to the instruction at program memory location 123456H. The instruction is

EJMP JMPADR

**Variations**

**EJMP addr24**

	<b>Binary Mode</b>	<b>Source Mode</b>
<b>Bytes:</b>	5	4
<b>States:</b>	6	5

**[Encoding]**

1 0 0 0
---------

1 0 1 0
---------

addr23– addr16
-------------------

addr15–addr8
--------------

addr7–addr0
-------------

**Hex Code in:** **Binary Mode = [A5][Encoding]**  
**Source Mode = [Encoding]**

**Operation:** EJMP  
(PC) ← (addr.23:0)



**EJMP @DRk**

	Binary Mode	Source Mode	
<b>Bytes:</b>	3	2	
<b>States:</b>	7	6	
<b>[Encoding]</b>	1 0 0 0	1 0 0 1	u u u u

**Hex Code in:** **Binary Mode = [A5] [Encoding]**  
**Source Mode = [Encoding]**

**Operation:** EJMP  
(PC) ← ((DRk))

**ERET**

**Function:** Extended return

**Description:** Pops byte 2, byte 1, and byte 0 of the 3-byte PC successively from the stack and decrements the stack pointer by 3. Program execution continues at the resulting address, which normally is the instruction immediately following ECALL.

**Flags:** No flags are affected.

**Example:** The stack pointer contains 0BH. On-chip RAM locations 08H, 09H and 0AH contain 01H, 23H and 49H, respectively. After executing the instruction

ERET

the stack pointer contains 08H and program execution continues at location 012349H.

	Binary Mode	Source Mode	
<b>Bytes:</b>	3	2	
<b>States:</b>	10	9	
<b>[Encoding]</b>	1 0 1 0	1 0 1 0	

**Hex Code in:** **Binary Mode = [A5][Encoding]**  
**Source Mode = [Encoding]**

**Operation:** ERET  
(PC.23:16) " ((SP))  
(SP) " (SP) - 1  
(PC.15:8) " ((SP))  
(SP) " (SP) - 1  
(PC.7:0) ← ((SP))  
(SP) ← (SP) - 1

**INC <Byte>**

**Function:** Increment

**Description:** Increments the specified byte variable by 1. An original value of FFH overflows to 00H. Three addressing modes are allowed for 8-bit operands: register, direct, or register-indirect.

Note: When this instruction is used to modify an output port, the value used as the original port data is read from the output data latch, not the input pins.

## Flags:

CY	AC	OV	N	Z
—	—	—	✓	✓

**Example:** Register 0 contains 7EH (01111110B) and on-chip RAM locations 7EH and 7FH contain 0FFH and 40H, respectively. After executing the instruction sequence

```
INC @R0
INC R0
INC @R0
```

register 0 contains 7FH and on-chip RAM locations 7EH and 7FH contain 00H and 41H, respectively.

## Variations

## INC A

	Binary Mode	Source Mode
Bytes:	1	1
States:	1	1

[Encoding] 

0 0 0 0	0 1 0 0
---------	---------

Hex Code in: Binary Mode = [Encoding]  
Source Mode = [Encoding]

Operation: INC  
(A) ← (A) + 1

## INC dir8

	Binary Mode	Source Mode
Bytes:	2	2
States:	2†	2†

†If this instruction addresses a port (Px, x = 0–3), add 2 states.

[Encoding] 

0 0 0 0	0 1 0 1
---------	---------

direct addr
-------------

Hex Code in: Binary Mode = [Encoding]  
Source Mode = [Encoding]

Operation: INC  
(dir8) ← (dir8) + 1

## INC @Ri

	Binary Mode	Source Mode
Bytes:	1	2
States:	3	4

[Encoding] 

0 0 0 0	0 1 1 i
---------	---------

Hex Code in: Binary Mode = [Encoding]  
Source Mode = [A5][Encoding]

**Operation:** INC  
 $((Ri) \leftarrow ((Ri) + 1)$

**INC Rn**

	Binary Mode	Source Mode
<b>Bytes:</b>	1	2
<b>States:</b>	1	2

**[Encoding]**

0 0 0 0	1 r r r
---------	---------

**Hex Code in:** Binary Mode = [Encoding]  
 Source Mode = [A5][Encoding]

**Operation:** INC  
 $(Rn) \leftarrow (Rn) + 1$

**INC <dest>,<src>**

**Function:** Increment

**Description:** Increments the specified variable by 1, 2, or 4. An original value of 0FFH overflows to 00H.

**Flags:**

CY	AC	OV	N	Z
—	—	—	✓	✓

**Example:** Register 0 contains 7EH (011111110B). After executing the instruction

INC R0,#1

register 0 contains 7FH.

**Variations**

**INC Rm,#short**

	Binary Mode	Source Mode
<b>Bytes:</b>	3	2
<b>States:</b>	2	1

**[Encoding]**

0 0 0 0	1 0 1 1	s s s s	00	v v
---------	---------	---------	----	-----

**Hex Code in:** Binary Mode = [A5][Encoding]  
 Source Mode = [Encoding]

**Operation:** INC  
 $(Rm) \leftarrow (Rm) + \#short$

**INC WRj,#short**

	Binary Mode	Source Mode
<b>Bytes:</b>	3	2
<b>States:</b>	2	1

**[Encoding]**

0 0 0 0	1 0 1 1	t t t t	01	v v
---------	---------	---------	----	-----

**Hex Code in:** Binary Mode = [A5][Encoding]  
Source Mode = [Encoding]

**Operation:** INC  
(WRj) ← (WRj) + #short

**INC DRk,#short**

	Binary Mode	Source Mode
<b>Bytes:</b>	3	2
<b>States:</b>	4	3

**[Encoding]**

0 0 0 0	1 0 1 1
---------	---------

u u u u	11	v v
---------	----	-----

**Hex Code in:** Binary Mode = [A5][Encoding]  
Source Mode = [Encoding]

**Operation:** INC  
(DRk) ← (DRk) + #shortdata pointer

**INC DPTR**

**Function:** Increment data pointer

**Description:** Increments the 16-bit data pointer by one. A 16-bit increment (modulo  $2^{16}$ ) is performed; an overflow of the low byte of the data pointer (DPL) from 0FFH to 00H increments the high byte of the data pointer (DPH) by one. An overflow of the high byte (DPH) does not increment the high word of the extended data pointer (DPX = DR56).

**Flags:**

CY	AC	OV	N	Z
—	—	—	✓	✓

**Example:** Registers DPH and DPL contain 12H and 0FEH, respectively. After the instruction sequence

```
INC DPTR
INC DPTR
INC DPTR
```

DPH and DPL contain 13H and 01H, respectively.

	Binary Mode	Source Mode
<b>Bytes:</b>	1	1
<b>States:</b>	1	1

**[Encoding]**

1 0 1 0	0 0 1 1
---------	---------

**Hex Code in:** Binary Mode = [Encoding]  
Source Mode = [Encoding]

**Operation:** INC  
(DPTR) ← (DPTR) + 1

**JB bit51,rel**  
**JB bit,rel**
**Function:** Jump if bit set

**Description:** If the specified bit is a one, jump to the address specified; otherwise proceed with the next instruction. The branch destination is computed by adding the signed relative displacement in the third instruction byte to the PC, after incrementing the PC to the first byte of the next instruction. The bit tested is not modified.

**Flags:**

CY	AC	OV	N	Z
—	—	—	—	—

**Example:** Input port 1 contains 11001010B and the accumulator contains 56 (01010110B). After the instruction sequence

```
JB P1.2,LABEL1
JB ACC.2,LABEL2
```

program execution continues at label LABEL2.

**Variations**
**JB bit51,rel**

	Binary Mode		Source Mode	
	Not Taken	Taken	Not Taken	Taken
Bytes:	3	3	3	3
States:	2	5	2	5

<b>[Encoding]</b>	0 0 1 0	0 0 0 0	bit addr	rel. addr
-------------------	---------	---------	----------	-----------

**Hex Code in:** **Binary Mode = [Encoding]**  
**Source Mode = [Encoding]**
**Operation:** JB  
 $(PC) \leftarrow (PC) + 3$   
 IF (bit51) = 1  
 THEN  
 $(PC) \leftarrow (PC) + rel$ 
**JB bit,rel**

	Binary Mode		Source Mode	
	Not Taken	Taken	Not Taken	Taken
Bytes:	5	5	4	4
States:	4	7	3	6

<b>[Encoding]</b>	1 0 1 0	1 0 0 1	0 0 1 0	0	yy	direct addr	rel. addr
-------------------	---------	---------	---------	---	----	-------------	-----------

**Hex Code in:** **Binary Mode = [A5][Encoding]**  
**Source Mode = [Encoding]**

**Operation:** JB  
 $(PC) \leftarrow (PC) + 3$   
 IF (bit) = 1  
     THEN  
          $(PC) \leftarrow (PC) + rel$

**JBC bit51,rel**  
**JBC bit,rel**

**Function:** Jump if bit is set and clear bit

**Description:** If the specified bit is one, branch to the specified address; otherwise proceed with the next instruction. The bit is not cleared if it is already a zero. The branch destination is computed by adding the signed relative displacement in the third instruction byte to the PC, after incrementing the PC to the first byte of the next instruction.

Note: When this instruction is used to test an output pin, the value used as the original data is read from the output data latch, not the input pin.

**Flags:**

CY	AC	OV	N	Z
—	—	—	—	—

**Example:** The accumulator contains 56H (01010110B). After the instruction sequence

```
JBC ACC.3,LABEL1
JBC ACC.2,LABEL2
```

the accumulator contains 52H (01010010B) and program execution continues at label LABEL2.

**Variations**

**JBC bit51,rel**

	Binary Mode		Source Mode	
	Not Taken	Taken	Not Taken	Taken
Bytes:	3	3	3	3
States:	4	7	4	7

<b>[Encoding]</b>	0 0 0 1	0 0 0 0	bit addr	rel. addr
-------------------	---------	---------	----------	-----------

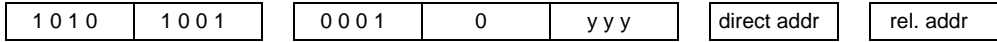
**Hex Code in:** **Binary Mode = [Encoding]**  
**Source Mode = [Encoding]**

**Operation:** JBC  
 $(PC) \leftarrow (PC) + 3$   
 IF (bit51) = 1  
     THEN  
         (bit51)  $\leftarrow$  0  
          $(PC) \leftarrow (PC) + rel$

**JBC bit,rel**

	Binary Mode		Source Mode	
	Not Taken	Taken	Not Taken	Taken
Bytes:	5	5	4	4
States:	4	7	3	6

**[Encoding]**



**Hex Code in:** Binary Mode = [A5][Encoding]  
 Source Mode = [Encoding]

**Operation:** JBC  
 (PC) ← (PC) + 3  
 IF (bit51) = 1  
 THEN  
 (bit51) ← 0  
 (PC) ← (PC) + rel

**JC rel**

**Function:** Jump if carry is set

**Description:** If the CY flag is set, branch to the address specified; otherwise proceed with the next instruction. The branch destination is computed by adding the signed relative displacement in the second instruction byte to the PC, after incrementing the PC twice.

**Flags:**

CY	AC	OV	N	Z
!	—	—	—	—

**Example:** The CY flag is clear. After the instruction sequence

```
JC          LABEL1
CPL CY
JC LABEL 2
```

the CY flag is set and program execution continues at label LABEL2.

	Binary Mode		Source Mode	
	Not Taken	Taken	Not Taken	Taken
Bytes:	2	2	2	2
States:	1	4	1	4



**Hex Code in:** Binary Mode = [Encoding]  
 Source Mode = [Encoding]

**Operation:** JC  
 $(PC) \leftarrow (PC) + 2$   
 IF  $(CY) = 1$   
 THEN  
 $(PC) \leftarrow (PC) + \text{rel}$

---

**JE rel**

**Function:** Jump if equal

**Description:** If the Z flag is set, branch to the address specified; otherwise proceed with the next instruction. The branch destination is computed by adding the signed relative displacement in the second instruction byte to the PC, after incrementing the PC twice.

**Flags:**

CY	AC	OV	N	Z
—	—	—	—	!

**Example:** The Z flag is set. After executing the instruction

JE LABEL1

program execution continues at label LABEL1.

	Binary Mode		Source Mode	
	Not Taken	Taken	Not Taken	Taken
Bytes:	3	3	2	2
States:	2	5	1	4

**[Encoding]**

0 1 1 0
---------

1 0 0 0
---------

rel. addr
-----------

**Hex Code in:** **Binary Mode = [A5][Encoding]**  
**Source Mode = [Encoding]**

**Operation:** JE  
 $(PC) \leftarrow (PC) + 2$   
 IF  $(Z) = 1$   
 THEN  $(PC) \leftarrow (PC) + \text{rel}$

---

**JG rel**

**Function:** Jump if greater than

**Description:** If the Z flag and the CY flag are both clear, branch to the address specified; otherwise proceed with the next instruction. The branch destination is computed by adding the signed relative displacement in the second instruction byte to the PC, after incrementing the PC twice.

**Flags:**

CY	AC	OV	N	Z
—	—	—	!	—



**Example:** The instruction

JG LABEL1

causes program execution to continue at label LABEL1 if the Z flag and the CY flag are both clear.

	Binary Mode		Source Mode	
	Not Taken	Taken	Not Taken	Taken
Bytes:	3	3	2	2
States:	2	5	1	4

**[Encoding]**

0 0 1 1	1 0 0 0
---------	---------

rel. addr
-----------

**Hex Code in:** **Binary Mode = [A5][Encoding]**  
**Source Mode = [Encoding]**

**Operation:** JG  
 $(PC) \leftarrow (PC) + 2$   
 IF  $(Z) = 0$  AND  $(CY) = 0$   
 THEN  $(PC) \leftarrow (PC) + \text{rel}$

### JLE rel

**Function:** Jump if less than or equal

**Description:** If the Z flag or the CY flag is set, branch to the address specified; otherwise proceed with the next instruction. The branch destination is computed by adding the signed relative displacement in the second instruction byte to the PC, after incrementing the PC twice.

**Flags:**

CY	AC	OV	N	Z
—	—	—	!	!

**Example:** The instruction

JLE LABEL1

causes program execution to continue at LABEL1 if the Z flag or the CY flag is set.

	Binary Mode		Source Mode	
	Not Taken	Taken	Not Taken	Taken
Bytes:	3	3	2	2
States:	2	5	1	4

**[Encoding]**

0 0 1 0	1 0 0 0
---------	---------

rel. addr
-----------

**Hex Code in:** **Binary Mode = [A5][Encoding]**  
**Source Mode = [Encoding]**

**Operation:** JLE  
 $(PC) \leftarrow (PC) + 2$   
 IF  $(Z) = 1$  OR  $(CY) = 1$   
 THEN  $(PC) \leftarrow (PC) + rel$

**JMP @A+DPTR**

**Function:** Jump indirect

**Description:** Add the 8-bit unsigned contents of the accumulator with the 16-bit data pointer and load the resulting sum into the lower 16 bits of the program counter. This is the address for subsequent instruction fetches. The contents of the accumulator and the data pointer are not affected.

**Flags:**

CY	AC	OV	N	Z
—	—	—	—	—

**Example:** The accumulator contains an even number from 0 to 6. The following sequence of instructions branch to one of four AJMP instructions in a jump table starting at JMP\_TBL:

```

                MOV     DPTR,#JMP_TB
                JMP     L
JMP_TBL:      AJMP    @A+DPTR
                AJMP    LABEL0
                AJMP    LABEL1
                AJMP    LABEL2
                AJMP    LABEL3
  
```

If the accumulator contains 04H at the start this sequence, execution jumps to LABEL2. Remember that AJMP is a two-byte instruction, so the jump instructions start at every other address.

	Binary Mode	Source Mode
<b>Bytes:</b>	1	1
<b>States:</b>	5	5

**[Encoding]**

0 1 1 1	0 0 1 1
---------	---------

**Hex Code in:** Binary Mode = [Encoding]  
 Source Mode = [Encoding]

**Operation:** JMP  
 $(PC.15:0) \leftarrow (A) + (DPTR)$

**JNB bit,rel**  
JNB bit,rel

**Function:** Jump if bit not set

**Description:** If the specified bit is clear, branch to the specified address; otherwise proceed with the next instruction. The branch destination is computed by adding the signed relative displacement in the third instruction byte to the PC, after incrementing the PC to the first byte of the next instruction. The bit tested is not modified.

Flags:

CY	AC	OV	N	Z
—	—	—	—	—

**Example:** Input port 1 contains 11001010B and the accumulator contains 56H (01010110B). After executing the instruction sequence

```
JNB P1.3,LABEL1
JNB ACC.3,LABEL2
```

program execution continues at label LABEL2.

Variations

**JNB bit51,rel**

	Binary Mode		Source Mode	
	Not Taken	Taken	Not Taken	Taken
Bytes:	3	3	3	3
States:	2	5	2	5
<b>[Encoding]</b>	0 0 1 1	0 0 0 0	bit addr	rel. addr

**Hex Code in:** Binary Mode = [Encoding]  
 Source Mode = [Encoding]

**Operation:** JNB  
 $(PC) \leftarrow (PC) + 3$   
 IF (bit51) = 0  
 THEN  $(PC) \leftarrow (PC) + rel$

**JNB bit,rel**

	Binary Mode		Source Mode				
	Not Taken	Taken	Not Taken	Taken			
Bytes:	5	5	4	4			
States:	4	7	3	6			
<b>[Encoding]</b>	1 0 1 0	1 0 0 1	0 0 1 1	0	yy	direct addr	rel. addr

**Hex Code in:** Binary Mode = [A5][Encoding]  
 Source Mode = [Encoding]

**Operation:** JNB  
 $(PC) \leftarrow (PC) + 3$   
 IF (bit) = 0  
 THEN  
 $(PC) \leftarrow (PC) + rel$

---

**JNC rel****Function:** Jump if carry not set**Description:** If the CY flag is clear, branch to the address specified; otherwise proceed with the next instruction. The branch destination is computed by adding the signed relative displacement in the second instruction byte to the PC, after incrementing the PC twice to point to the next instruction. The CY flag is not modified.**Flags:**

CY	AC	OV	N	Z
!	—	—	—	—

**Example:** The CY flag is set. The instruction sequence

```
JNC LABEL1
CPL CY
JNC LABEL2
```

clears the CY flag and causes program execution to continue at label LABEL2.

	Binary Mode		Source Mode	
	Not Taken	Taken	Not Taken	Taken
Bytes:	2	2	2	2
States:	1	4	1	4

<b>[Encoding]</b>	0 1 0 1	0 0 0 0	rel. addr
-------------------	---------	---------	-----------

**Hex Code in:** Binary Mode = [Encoding]  
Source Mode = [Encoding]

**Operation:** JNC  
 $(PC) \leftarrow (PC) + 2$   
 IF  $(CY) = 0$   
 THEN  $(PC) \leftarrow (PC) + rel$

---

**JNE rel****Function:** Jump if not equal**Description:** If the Z flag is clear, branch to the address specified; otherwise proceed with the next instruction. The branch destination is computed by adding the signed relative displacement in the second instruction byte to the PC, after incrementing the PC twice.**Flags:**

CY	AC	OV	N	Z
—	—	—	—	!

**Example:** The instruction

```
JNE LABEL1
```

causes program execution to continue at LABEL1 if the Z flag is clear.

	Binary Mode		Source Mode	
	Not Taken	Taken	Not Taken	Taken
Bytes:	3	3	2	2
States:	2	5	1	4

<b>[Encoding]</b>	0 1 1 1	1 0 0 0	rel. addr
-------------------	---------	---------	-----------

**Hex Code in:** **Binary Mode = [A5][Encoding]**  
**Source Mode = [Encoding]**

**Operation:** JNE  
 $(PC) \leftarrow (PC) + 2$   
 IF (Z) = 0  
 THEN  $(PC) \leftarrow (PC) + \text{rel}$

### JNZ rel

**Function:** Jump if accumulator not zero

**Description:** If any bit of the accumulator is set, branch to the specified address; otherwise proceed with the next instruction. The branch destination is computed by adding the signed relative displacement in the second instruction byte to the PC, after incrementing the PC twice. The accumulator is not modified.

**Flags:**

CY	AC	OV	N	Z
—	—	—	—	!

**Example:** The accumulator contains 00H. After executing the instruction sequence

```
JNZ LABEL1
INC A
JNZ LABEL2
```

the accumulator contains 01H and program execution continues at label LABEL2.

	Binary Mode		Source Mode	
	Not Taken	Taken	Not Taken	Taken
Bytes:	2	2	2	2
States:	2	5	2	5

<b>[Encoding]</b>	0 1 1 1	0 0 0 0	rel. addr
-------------------	---------	---------	-----------

**Hex Code in:** **Binary Mode = [Encoding]**  
**Source Mode = [Encoding]**

**Operation:** JNZ  
 $(PC) \leftarrow (PC) + 2$   
 IF (A)  $\neq$  0  
 THEN  $(PC) \leftarrow (PC) + \text{rel}$

**JSG rel**

**Function:** Jump if greater than (signed)

**Description:** If the Z flag is clear AND the N flag and the OV flag have the same value, branch to the address specified; otherwise proceed with the next instruction. The branch destination is computed by adding the signed relative displacement in the second instruction byte to the PC, after incrementing the PC twice.

**Flags:**

CY	AC	OV	N	Z
—	—	!	!	!

**Example:** The instruction

JSG LABEL1

causes program execution to continue at LABEL1 if the Z flag is clear AND the N flag and the OV flag have the same value.

	Binary Mode		Source Mode	
	Not Taken	Taken	Not Taken	Taken
Bytes:	3	3	2	2
States:	2	5	1	4

**[Encoding]**

0 0 0 1	1 0 0 0	rel. addr
---------	---------	-----------

**Hex Code in:** **Binary Mode = [A5][Encoding]**  
**Source Mode = [Encoding]**

**Operation:** JSG  
 $(PC) \leftarrow (PC) + 2$   
 IF [(N) = 0 AND (N) = (OV)]  
 THEN  $(PC) \leftarrow (PC) + \text{rel}$

**JSGE rel**

**Function:** Jump if greater than or equal (signed)

**Description:** If the N flag and the OV flag have the same value, branch to the address specified; otherwise proceed with the next instruction. The branch destination is computed by adding the signed relative displacement in the second instruction byte to the PC, after incrementing the PC twice.

**Flags:**

CY	AC	OV	N	Z
—	—	!	!	!

**Example:** The instruction

JSGE LABEL1

causes program execution to continue at LABEL1 if the N flag and the OV flag have the same value.

	Binary Mode		Source Mode	
	Not Taken	Taken	Not Taken	Taken
Bytes:	3	3	2	2
States:	2	5	1	4

**[Encoding]**

0 1 0 1	1 0 0 0	rel. addr
---------	---------	-----------

**Hex Code in:** Binary Mode = [A5][Encoding]  
 Source Mode = [Encoding]

**Operation:** JSGE  
 $(PC) \leftarrow (PC) + 2$   
 IF [(N) = (OV)]  
 THEN  $(PC) \leftarrow (PC) + rel$

**JSL rel**

**Function:** Jump if less than (signed)

**Description:** If the N flag and the OV flag have different values, branch to the address specified; otherwise proceed with the next instruction. The branch destination is computed by adding the signed relative displacement in the second instruction byte to the PC, after incrementing the PC twice.

**Flags:**

CY	AC	OV	N	Z
—	—	!	!	!

**Example:** The instruction

JSL LABEL1

causes program execution to continue at LABEL1 if the N flag and the OV flag have different values.

	Binary Mode		Source Mode	
	Not Taken	Taken	Not Taken	Taken
Bytes:	3	3	2	2
States:	2	5	1	4

**[Encoding]**

0 1 0 0	1 0 0 0	rel. addr
---------	---------	-----------

**Hex Code in:** Binary Mode = [A5][Encoding]  
 Source Mode = [Encoding]

**Operation:** JSL  
 $(PC) \leftarrow (PC) + 2$   
 IF (N)  $\neq$  (OV)  
 THEN  $(PC) \leftarrow (PC) + rel$

---

**JSLE rel****Function:** Jump if less than or equal (signed)**Description:** If the Z flag is set OR if the the N flag and the OV flag have different values, branch to the address specified; otherwise proceed with the next instruction. The branch destination is computed by adding the signed relative displacement in the second instruction byte to the PC, after incrementing the PC twice.**Flags:**

CY	AC	OV	N	Z
—	—	!	!	!

**Example:** The instruction

JSLE LABEL1

causes program execution to continue at LABEL1 if the Z flag is set OR if the N flag and the OV flag have different values.

	Binary Mode		Source Mode	
	Not Taken	Taken	Not Taken	Taken
Bytes:	3	3	2	2
States:	2	5	1	4

<b>[Encoding]</b>	0 0 0 0	1 0 0 0	rel. addr
-------------------	---------	---------	-----------

**Hex Code in:** **Binary Mode = [A5][Encoding]**  
**Source Mode = [Encoding]**

**Operation:** JSLE  
 $(PC) \leftarrow (PC) + 2$   
IF  $\{(Z) = 1 \text{ OR } [(N) \neq (OV)]\}$   
THEN  $(PC) \leftarrow (PC) + \text{rel}$

---

**JZ rel****Function:** Jump if accumulator zero**Description:** If all bits of the accumulator are clear (zero), branch to the address specified; otherwise proceed with the next instruction. The branch destination is computed by adding the signed relative displacement in the second instruction byte to the PC, after incrementing the PC twice. The accumulator is not modified.**Flags:**

CY	AC	OV	N	Z
—	—	—	—	!



**Example:** The accumulator contains 01H. After executing the instruction sequence

```
JZ LABEL1
DEC A
JZ LABEL2
```

the accumulator contains 00H and program execution continues at label LABEL2.

	Binary Mode		Source Mode	
	Not Taken	Taken	Not Taken	Taken
Bytes:	2	2	2	2
States:	2	5	2	5

**[Encoding]**

0 1 1 0	0 0 0 0	rel. addr
---------	---------	-----------

**Hex Code in:** **Binary Mode = [Encoding]**  
**Source Mode = [Encoding]**

**Operation:** JZ  
(PC) ← (PC) + 2  
IF (A) = 0  
THEN (PC) ← (PC) + rel

### LCALL <dest>

**Function:** Long call

**Description:** Calls a subroutine located at the specified address. The instruction adds three to the program counter to generate the address of the next instruction and then pushes the 16-bit result onto the stack (low byte first). The stack pointer is incremented by two. The high and low bytes of the PC are then loaded, respectively, with the second and third bytes of the LCALL instruction. Program execution continues with the instruction at this address. The subroutine may therefore begin anywhere in the 64-Kbyte region of memory where the next instruction is located.

**Flags:**

CY	AC	OV	N	Z
—	—	—	—	—

**Example:** The stack pointer contains 07H and the label "SUBRTN" is assigned to program memory location 1234H. After executing the instruction

```
LCALL SUBRTN
```

at location 0123H, the stack pointer contains 09H, on-chip RAM locations 08H and 09H contain 01H and 26H, and the PC contains 1234H.

### LCALL addr16

	Binary Mode	Source Mode
Bytes:	3	3
States:	9	9

**[Encoding]**

0 0 0 1	0 0 1 0	addr15–addr8	addr7–addr0
---------	---------	--------------	-------------

Hex Code in: Binary Mode = [Encoding]  
Source Mode = [Encoding]

Operation: LCALL  
 $(PC) \leftarrow (PC) + 3$   
 $(SP) \leftarrow (SP) + 1$   
 $((SP)) \leftarrow (PC.7:0)$   
 $(SP) \leftarrow (SP) + 1$   
 $((SP)) \leftarrow (PC.15:8)$   
 $(PC) \leftarrow (addr.15:0)$

**LCALL @WRj**

	Binary Mode	Source Mode
Bytes:	3	2
States:	9	8

[Encoding]	1 0 0 1	1 0 0 1	ttt	0 1 0 0
------------	---------	---------	-----	---------

Hex Code in: Binary Mode = [A5][Encoding]  
Source Mode = [Encoding]

Operation: LCALL  
 $(PC) \leftarrow (PC) + 3$   
 $(SP) \leftarrow (SP) + 1$   
 $((SP)) \leftarrow (PC.7:0)$   
 $(SP) \leftarrow (SP) + 1$   
 $((SP)) \leftarrow (PC.15:8)$   
 $(PC) \leftarrow ((WRj))$

**LJMP <dest>**

Function: Long Jump

Description: Causes an unconditional branch to the specified address, by loading the high and low bytes of the PC (respectively) with the second and third instruction bytes. The destination may therefore be anywhere in the 64-Kbyte memory region where the next instruction is located.

Flags:

CY	AC	OV	N	Z
—	—	—	—	—

Example: The label "JMPADR" is assigned to the instruction at program memory location 1234H. After executing the instruction

LJMP JMPADR

at location 0123H, the program counter contains 1234H.

**LJMP addr16**

	Binary Mode	Source Mode
Bytes:	3	3
States:	5	5

[Encoding]	0 0 0 0	0 0 1 0	addr15–addr8	addr7–addr0
------------	---------	---------	--------------	-------------

**Hex Code in:** Binary Mode = [Encoding]  
 Source Mode = [Encoding]

**Operation:** LJMP  
 (PC) ← (addr.15:0)

**LJMP @WRj**

	Binary Mode	Source Mode		
<b>Bytes:</b>	3	2		
<b>States:</b>	6	5		
<b>[Encoding]</b>	1 0 0 0	1 0 0 1	t t t t	0 1 0 0

**Hex Code in:** Binary Mode = [A5] [Encoding]  
 Source Mode = [Encoding]

**Operation:** LJMP  
 (PC) ← ((WRj))

**MOV <dest>,<src>**

**Function:** Move byte variable

**Description:** Copies the byte variable specified by the second operand into the location specified by the first operand. The source byte is not affected.

This is by far the most flexible operation. Twenty-four combinations of source and destination addressing modes are allowed.

**Flags:**

CY	AC	OV	N	Z
—	—	—	—	—

**Example:** On-chip RAM location 30H contains 40H, on-chip RAM location 40H contains 10H, and input port 1 contains 11001010B (0CAH). After executing the instruction sequence

```

MOV    R0,#30H      ;R0 <= 30H
MOV    A,@R0        ;A <= 40H
MOV    R1,A         ;R1 <= 40H
MOV    B,@R1        ;B <= 10H
MOV    @R1,P1       ;RAM (40H) <= 0CAH
MOV    P2,P1        ;P2 #0CAH
  
```

register 0 contains 30H, the accumulator and register 1 contain 40H, register B contains 10H, and on-chip RAM location 40H and output port 2 contain 0CAH (11001010B).

**Variations**
**MOV A,#data**

	Binary Mode	Source Mode	
<b>Bytes:</b>	2	2	
<b>States:</b>	1	1	
<b>[Encoding]</b>	0 1 1 1	0 1 0 0	immed. data

Hex Code in: Binary Mode = [Encoding]  
Source Mode = [Encoding]

Operation: MOV  
(A) ← #data

**MOV dir8,#data**

	Binary Mode	Source Mode
Bytes:	3	3
States:	3†	3†

†If this instruction addresses a port (Px, x = 0–3), add 1 state.

[Encoding] 

0 1 1 1
---------

0 1 0 1
---------

direct addr
-------------

immed. data
-------------

Hex Code in: Binary Mode = [Encoding]  
Source Mode = [Encoding]

Operation: MOV  
(dir8) ← #data

**MOV @Ri,#data**

	Binary Mode	Source Mode
Bytes:	2	3
States:	3	4

[Encoding] 

0 1 1 1
---------

0 1 1 i
---------

immed. data
-------------

Hex Code in: Binary Mode = [Encoding]  
Source Mode = [A5][Encoding]

Operation: MOV  
((Ri)) ← #data

**MOV Rn,#data**

	Binary Mode	Source Mode
Bytes:	2	3
States:	1	2

[Encoding] 

0 1 1 1
---------

1 r r r r
-----------

immed. data
-------------

Hex Code in: Binary Mode = [Encoding]  
Source Mode = [A5][Encoding]

Operation: MOV  
(Rn) ← #data

**MOV dir8,dir8**

	Binary Mode	Source Mode
Bytes:	3	3
States:	3	3

[Encoding] 

1 0 0 0	0 1 0 1
---------	---------

direct addr
-------------

direct addr
-------------

Hex Code in: Binary Mode = [Encoding]  
Source Mode = [Encoding]

Operation: MOV  
(dir8) ← (dir8)

**MOV dir8,@Ri**

	Binary Mode	Source Mode	
Bytes:	2	3	
States:	3	4	

[Encoding] 

1 0 0 0	0 1 1 i
---------	---------

direct addr
-------------

Hex Code in: Binary Mode = [Encoding]  
Source Mode = [A5][Encoding]

Operation: MOV  
(dir8) ← ((Ri))

**MOV dir8,Rn**

	Binary Mode	Source Mode	
Bytes:	2	3	
States:	2†	3†	

†If this instruction addresses a port (Px, x = 0–3), add 1 state.

[Encoding] 

1 0 0 0	1 r r r
---------	---------

direct addr
-------------

Hex Code in: Binary Mode = [Encoding]  
Source Mode = [A5][Encoding]

Operation: MOV  
(dir8) ← (Rn)

**MOV @Ri,dir8**

	Binary Mode	Source Mode	
Bytes:	2	3	
States:	3	4	

[Encoding] 

1 0 1 0	0 1 1 i
---------	---------

direct addr
-------------

Hex Code in: Binary Mode = [Encoding]  
Source Mode = [A5][Encoding]

Operation: MOV  
((Ri)) ← (dir8)

---

**MOV Rn,dir8**

	Binary Mode	Source Mode
Bytes:	2	3
States:	1†	2†

†If this instruction addresses a port (Px, x = 0–3), add 1 state.

[Encoding]	1 0 1 0	1 r r r	direct addr
------------	---------	---------	-------------

Hex Code in: Binary Mode = [Encoding]  
Source Mode = [A5][Encoding]

Operation: MOV  
(Rn) ← (dir8)

---

**MOV A,dir8**

	Binary Mode	Source Mode
Bytes:	2	2
States:	1†	1†

†If this instruction addresses a port (Px, x = 0–3), add 1 state.

[Encoding]	1 1 1 0	0 1 0 1	direct addr
------------	---------	---------	-------------

Hex Code in: Binary Mode = [Encoding]  
Source Mode = [Encoding]

Operation: MOV  
(A) ← (dir8)

---

**MOV A,@Ri**

	Binary Mode	Source Mode
Bytes:	1	2
States:	2	3

[Encoding]	1 1 1 0	0 1 1 i
------------	---------	---------

Hex Code in: Binary Mode = [Encoding]  
Source Mode = [A5][Encoding]

Operation: MOV  
(A) ← ((Ri))

---

**MOV A,Rn**

	Binary Mode	Source Mode
Bytes:	1	2
States:	1	2

[Encoding]	1 1 1 0	1 r r r
------------	---------	---------

Hex Code in: Binary Mode = [Encoding]  
Source Mode = [A5][Encoding]

Operation: MOV  
(A) ← (Rn)

MOV dir8,A

	Binary Mode	Source Mode
Bytes:	2	2
States:	2†	2†

†If this instruction addresses a port (Px, x = 0–3), add 1 state.

[Encoding] 

1 1 1 1	0 1 0 1
---------	---------

direct addr
-------------

Hex Code in: Binary Mode = [Encoding]  
Source Mode = [Encoding]

Operation: MOV  
(dir8) ← (A)

MOV @Ri,A

	Binary Mode	Source Mode
Bytes:	1	2
States:	3	4

[Encoding] 

1 1 1 1	0 1 1 i
---------	---------

Hex Code in: Binary Mode = [Encoding]  
Source Mode = [A5][Encoding]

Operation: MOV  
((Ri)) ← (A)

MOV Rn,A

	Binary Mode	Source Mode
Bytes:	1	2
States:	1	2

[Encoding] 

1 1 1 1	1 1 1 r
---------	---------

Hex Code in: Binary Mode = [Encoding]  
Source Mode = [A5][Encoding]

Operation: MOV  
(Rn) ← (A)

MOV Rmd,Rms

	Binary Mode	Source Mode
Bytes:	3	2
States:	2	1

[Encoding] 

0 1 1 1	1 1 0 0
---------	---------

s s s s	S S S S
---------	---------

Hex Code in: Binary Mode = [A5][Encoding]  
 Source Mode = [Encoding]

Operation: MOV  
 (Rmd) ← (Rms)

**MOV WRjd,WRjs**

	Binary Mode	Source Mode
Bytes:	3	2
States:	2	1

[Encoding]	0 1 1 1	1 1 0 1	t t t t	T T T T
------------	---------	---------	---------	---------

Hex Code in: Binary Mode = [A5][Encoding]  
 Source Mode = [Encoding]

Operation: MOV  
 (WRjd) ← (WRjs)

**MOV DRkd,DRks**

	Binary Mode	Source Mode
Bytes:	3	2
States:	3	2

[Encoding]	0 1 1 1	1 1 1 1	u u u u	U U U U
------------	---------	---------	---------	---------

Hex Code in: Binary Mode = [A5][Encoding]  
 Source Mode = [Encoding]

Operation: MOV  
 (DRkd) ← (DRks)

**MOV Rm,#data**

	Binary Mode	Source Mode
Bytes:	4	3
States:	3	2

[Encoding]	0 1 1 1	1 1 1 0	s s s s	0 0 0 0	#data
------------	---------	---------	---------	---------	-------

Hex Code in: Binary Mode = [A5][Encoding]  
 Source Mode = [Encoding]

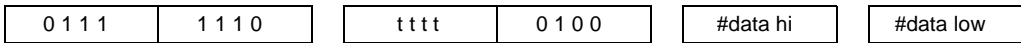
Operation: MOV  
 (Rm) ← #data

**MOV WRj,#data16**

	Binary Mode	Source Mode
Bytes:	5	4
States:	3	2



[Encoding]



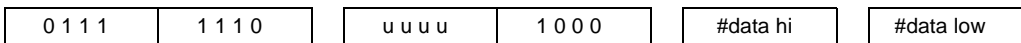
Hex Code in: Binary Mode = [A5][Encoding]  
 Source Mode = [Encoding]

Operation: MOV  
 (WRj) ← #data16

MOV DRk,#0data16

	Binary Mode	Source Mode
Bytes:	5	4
States:	5	4

[Encoding]



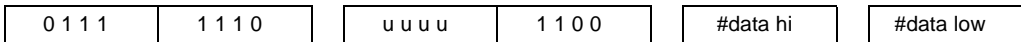
Hex Code in: Binary Mode = [A5][Encoding]  
 Source Mode = [Encoding]

Operation: MOV  
 (DRk) ← #0data16

MOV DRk,#1data16

	Binary Mode	Source Mode
Bytes:	5	4
States:	5	4

[Encoding]



Hex Code in: Binary Mode = [A5][Encoding]  
 Source Mode = [Encoding]

Operation: MOV  
 (DRk) ← #1data16

MOV Rm,dir8

	Binary Mode	Source Mode
Bytes:	4	3
States:	3†	2†

†If this instruction addresses a port (Px, x = 0–3), add 1 state.



Hex Code in: Binary Mode = [A5][Encoding]  
 Source Mode = [Encoding]

**Operation:** MOV  
(Rm) ← (dir8)

**MOV WRj,dir8**

	Binary Mode	Source Mode
<b>Bytes:</b>	4	3
<b>States:</b>	4	3

**[Encoding]**

0 1 1 1	1 1 1 0
---------	---------

t t t t	0 1 0 1
---------	---------

direct addr
-------------

**Hex Code in:** Binary Mode = [A5][Encoding]  
Source Mode = [Encoding]

**Operation:** MOV  
(WRj) ← (dir8)

**MOV DRk,dir8**

	Binary Mode	Source Mode
<b>Bytes:</b>	4	3
<b>States:</b>	6	5

**[Encoding]**

0 1 1 1	1 1 1 0
---------	---------

u u u u	1 1 0 1
---------	---------

direct addr
-------------

**Hex Code in:** Binary Mode = [A5][Encoding]  
Source Mode = [Encoding]

**Operation:** MOV  
(DRk) ← (dir8)

**MOV Rm,dir16**

	Binary Mode	Source Mode
<b>Bytes:</b>	5	4
<b>States:</b>	3	2

**[Encoding]**

0 1 1 1	1 1 1 0
---------	---------

s s s s	0 0 1 1
---------	---------

direct addr
-------------

direct addr
-------------

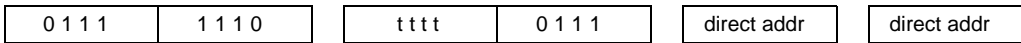
**Hex Code in:** Binary Mode = [A5][Encoding]  
Source Mode = [Encoding]

**Operation:** MOV  
(Rm) ← (dir16)

**MOV WRj,dir16**

	Binary Mode	Source Mode
<b>Bytes:</b>	5	4
<b>States:</b>	4	3

[Encoding]



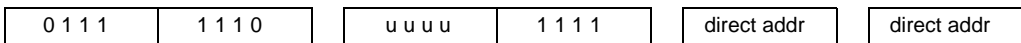
Hex Code in: Binary Mode = [A5][Encoding]  
 Source Mode = [Encoding]

Operation: MOV  
 (WRj) ← (dir16)

MOV DRk,dir16

	Binary Mode	Source Mode
Bytes:	5	4
States:	6	5

[Encoding]



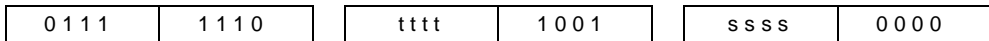
Hex Code in: Binary Mode = [A5][Encoding]  
 Source Mode = [Encoding]

Operation: MOV  
 (DRk) ← (dir16)

MOV Rm,@WRj

	Binary Mode	Source Mode
Bytes:	4	3
States:	2	2

[Encoding]



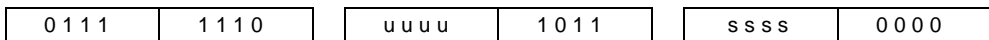
Hex Code in: Binary Mode = [A5][Encoding]  
 Source Mode = [Encoding]

Operation: MOV  
 (Rm) ← ((WRj))

MOV Rm,@DRk

	Binary Mode	Source Mode
Bytes:	4	3
States:	4	3

[Encoding]



Hex Code in: Binary Mode = [A5][Encoding]  
 Source Mode = [Encoding]

Operation: MOV  
 (Rm) ← ((DRk))

**MOV WRjd,@WRjs**

	Binary Mode	Source Mode
Bytes:	4	3
States:	4	3

[Encoding]



Hex Code in: Binary Mode = [A5][Encoding]  
 Source Mode = [Encoding]

Operation: MOV  
 (WRjd) ← ((WRjs))

**MOV WRj,@DRk**

	Binary Mode	Source Mode
Bytes:	4	3
States:	5	4

[Encoding]



Hex Code in: Binary Mode = [A5][Encoding]  
 Source Mode = [Encoding]

Operation: MOV  
 (WRj) ← ((DRk))

**MOV dir8,Rm**

	Binary Mode	Source Mode
Bytes:	4	3
States:	4†	3†

†If this instruction addresses a port (Px, x = 0–3), add 1 state.



Hex Code in: Binary Mode = [A5][Encoding]  
 Source Mode = [Encoding]

Operation: MOV  
 (dir8) ← (Rm)

**MOV dir8,WRj**

	Binary Mode	Source Mode
Bytes:	4	3
States:	5	4

[Encoding] 

0 1 1 1	1 0 1 0
---------	---------

t t t t	0 1 0 1
---------	---------

direct addr
-------------

Hex Code in: **Binary Mode = [A5][Encoding]**  
**Source Mode = [Encoding]**

Operation: MOV  
 (dir8) ← (WRj)

**MOV dir8,DRk**

	Binary Mode	Source Mode
Bytes:	4	3
States:	7	6

[Encoding] 

0 1 1 1	1 0 1 0
---------	---------

u u u u	1 1 0 1
---------	---------

direct addr
-------------

Hex Code in: **Binary Mode = [A5][Encoding]**  
**Source Mode = [Encoding]**

Operation: MOV  
 (dir8) ← (DRk)

**MOV dir16,Rm**

	Binary Mode	Source Mode
Bytes:	5	4
States:	4	3

[Encoding] 

0 1 1 1	1 0 1 0
---------	---------

s s s s	0 0 1 1
---------	---------

direct addr
-------------

direct addr
-------------

Hex Code in: **Binary Mode = [A5][Encoding]**  
**Source Mode = [Encoding]**

Operation: MOV  
 (dir16) ← (Rm)

**MOV dir16,WRj**

	Binary Mode	Source Mode
Bytes:	5	4
States:	5	4

[Encoding] 

0 1 1 1	1 0 1 0
---------	---------

t t t t	0 1 1 1
---------	---------

direct addr
-------------

direct addr
-------------

Hex Code in: **Binary Mode = [A5][Encoding]**  
**Source Mode = [Encoding]**

Operation: MOV  
 (dir16) ← (WRj)

**MOV dir16,DRk**

	Binary Mode	Source Mode
Bytes:	5	4
States:	7	6

[Encoding]

0 1 1 1	1 0 1 0	u u u u	1 1 1 1	direct addr	direct addr
---------	---------	---------	---------	-------------	-------------

Hex Code in: Binary Mode = [A5][Encoding]  
Source Mode = [Encoding]

Operation: MOV  
(dir16) ← (DRk)

**MOV @WRj,Rm**

	Binary Mode	Source Mode
Bytes:	4	3
States:	4	3

[Encoding]

0 1 1 1	1 0 1 0	t t t t	1 0 0 1	s s s s	0 0 0 0
---------	---------	---------	---------	---------	---------

Hex Code in: Binary Mode = [A5][Encoding]  
Source Mode = [Encoding]

Operation: MOV  
((WRj)) ← (Rm)

**MOV @DRk,Rm**

	Binary Mode	Source Mode
Bytes:	4	3
States:	5	4

[Encoding]

0 1 1 1	1 0 1 0	u u u u	1 0 1 1	s s s s	0 0 0 0
---------	---------	---------	---------	---------	---------

Hex Code in: Binary Mode = [A5][Encoding]  
Source Mode = [Encoding]

Operation: MOV  
((DRk)) ← (Rm)

**MOV @WRjd,WRjs**

	Binary Mode	Source Mode
Bytes:	4	3
States:	5	4

[Encoding]

0 0 0 1	1 0 1 1	t t t t	1 0 0 0	T T T T	0 0 0 0
---------	---------	---------	---------	---------	---------

Hex Code in: Binary Mode = [A5][Encoding]  
 Source Mode = [Encoding]

Operation: MOV  
 ((WRj<sub>d</sub>) ← (WRj<sub>s</sub>))

**MOV @DRk,WRj**

	Binary Mode	Source Mode
Bytes:	4	3
States:	6	5

[Encoding]



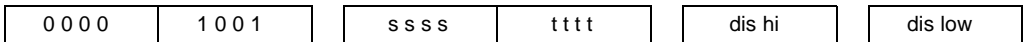
Hex Code in: Binary Mode = [A5][Encoding]  
 Source Mode = [Encoding]

Operation: MOV  
 ((DRk) ← (WRj))

**MOV Rm,@WRj + dis16**

	Binary Mode	Source Mode
Bytes:	5	4
States:	6	5

[Encoding]



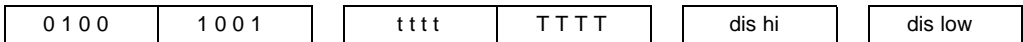
Hex Code in: Binary Mode = [A5][Encoding]  
 Source Mode = [Encoding]

Operation: MOV  
 (Rm) ← ((WRj)) + (dis)

**MOV WRj,@WRj + dis16**

	Binary Mode	Source Mode
Bytes:	5	4
States:	7	6

[Encoding]



Hex Code in: Binary Mode = [A5][Encoding]  
 Source Mode = [Encoding]

Operation: MOV  
 (WRj) ← ((WRj)) + (dis)

---

**MOV Rm,@DRk + dis24**

	Binary Mode	Source Mode
Bytes:	5	4
States:	7	6

[Encoding]

0 0 1 0	1 0 0 1	s s s s	u u u u	dis hi	dis low
---------	---------	---------	---------	--------	---------

Hex Code in: Binary Mode = [A5][Encoding]  
Source Mode = [Encoding]

Operation: MOV  
(Rm) ← ((DRk) + (dis))

---

**MOV WRj,@DRk + dis24**

	Binary Mode	Source Mode
Bytes:	5	4
States:	8	7

[Encoding]

0 1 1 0	1 0 0 1	t t t t	u u u u	dis hi	dis low
---------	---------	---------	---------	--------	---------

Hex Code in: Binary Mode = [A5][Encoding]  
Source Mode = [Encoding]

Operation: MOV  
(WRj) ← ((DRk) + (dis))

---

**MOV @WRj + dis16,Rm**

	Binary Mode	Source Mode
Bytes:	5	4
States:	6	5

[Encoding]

0 0 0 1	1 0 0 1	t t t t	s s s s	dis hi	dis low
---------	---------	---------	---------	--------	---------

Hex Code in: Binary Mode = [A5][Encoding]  
Source Mode = [Encoding]

Operation: MOV  
((WRj)) + (dis) ← (Rm)

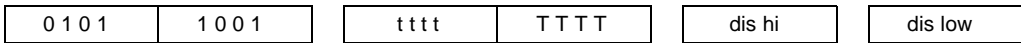
---

**MOV @WRj + dis16,WRj**

	Binary Mode	Source Mode
Bytes:	5	4
States:	7	6



[Encoding]



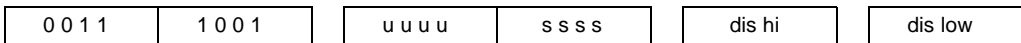
Hex Code in: Binary Mode = [A5][Encoding]  
 Source Mode = [Encoding]

Operation: MOV  
 ((WRj)) + (dis) ← (WRj)

MOV @DRk + dis24,Rm

	Binary Mode	Source Mode
Bytes:	5	4
States:	7	6

[Encoding]



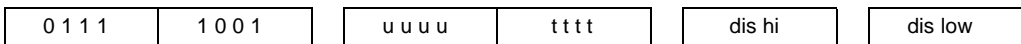
Hex Code in: Binary Mode = [A5][Encoding]  
 Source Mode = [Encoding]

Operation: MOV  
 ((DRk)) + (dis) ← (Rm)

MOV @DRk + dis24,WRj

	Binary Mode	Source Mode
Bytes:	5	4
States:	8	7

[Encoding]



Hex Code in: Binary Mode = [A5][Encoding]  
 Source Mode = [Encoding]

Operation: MOV  
 ((DRk)) + (dis) ← (WRj)

MOV <dest-bit>,<src-bit>

Function: Move bit data

Description: Copies the Boolean variable specified by the second operand into the location specified by the first operand. One of the operands must be the CY flag; the other may be any directly addressable bit. Does not affect any other register.

Flags:

CY	AC	OV	N	Z
✓	—	—	—	—

**Example:** The CY flag is set, input Port 3 contains 11000101B, and output Port 1 contains 35H (00110101B). After executing the instruction sequence

```
MOV P1.3,CY
MOV CY,P3.3
MOV P1.2,CY
```

the CY flag is clear and Port 1 contains 39H (00111001B).

**Variations**

**MOV bit51,CY**

	Binary Mode	Source Mode
<b>Bytes:</b>	2	2
<b>States:</b>	2†	2†

†If this instruction addresses a port (Px, x = 0–3), add 2 states.

**[Encoding]**

1 0 0 1	0 0 1 0	bit addr
---------	---------	----------

**Hex Code in:** Binary Mode = [Encoding]  
Source Mode = [Encoding]

**Operation:** MOV  
(bit51) ← (CY)

**MOV CY,bit51**

	Binary Mode	Source Mode
<b>Bytes:</b>	2	2
<b>States:</b>	1†	1†

†If this instruction addresses a port (Px, x = 0–3), add 1 state.

**[Encoding]**

1 0 1 0	0 0 1 0	bit addr
---------	---------	----------

**Hex Code in:** Binary Mode = [Encoding]  
Source Mode = [Encoding]

**Operation:** MOV  
(CY) ← (bit51)

**MOV bit,CY**

	Binary Mode	Source Mode
<b>Bytes:</b>	4	3
<b>States:</b>	4†	3†

†If this instruction addresses a port (Px, x = 0–3), add 2 states.

**[Encoding]**

1 0 1 0	1 0 0 1	1 0 0 1	0	y y y	direct addr
---------	---------	---------	---	-------	-------------

**Hex Code in:** Binary Mode = [A5][Encoding]  
Source Mode = [Encoding]

**Operation:** MOV  
(bit) ← (CY)

**MOV CY,bit**

	<b>Binary Mode</b>	<b>Source Mode</b>
<b>Bytes:</b>	4	3
<b>States:</b>	3†	2†

†If this instruction addresses a port (Px, x = 0–3), add 1 state.

**[Encoding]**



**Hex Code in:** Binary Mode = [A5][Encoding]  
Source Mode = [Encoding]

**Operation:** MOV  
(CY) ← (bit)

**MOV DPTR,#data16**

**Function:** Load data pointer with a 16-bit constant

**Description:** Loads the 16-bit data pointer (DPTR) with the specified 16-bit constant. The high byte of the constant is loaded into the high byte of the data pointer (DPH). The low byte of the constant is loaded into the low byte of the data pointer (DPL).

**Flags:**

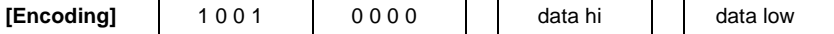
CY	AC	OV	N	Z
—	—	—	—	—

**Example:** After executing the instruction

MOV DPTR,#1234H

DPTR contains 1234H (DPH contains 12H and DPL contains 34H).

	<b>Binary Mode</b>	<b>Source Mode</b>
<b>Bytes:</b>	3	3
<b>States:</b>	2	2



**Hex Code in:** Binary Mode = [Encoding]  
Source Mode = [Encoding]

**Operation:** MOV  
(DPTR) ← #data16

---

**MOVC A,@A+<base-reg>**

**Function:** Move code byte

**Description:** Loads the accumulator with a code byte or constant from program memory. The address of the byte fetched is the sum of the original unsigned 8-bit accumulator contents and the contents of a 16-bit base register, which may be the 16 LSBs of the data pointer or PC. In the latter case, the PC is incremented to the address of the following instruction before being added with the accumulator; otherwise the base register is not altered. Sixteen-bit addition is performed.

**Flags:**

CY	AC	OV	N	Z
—	—	—	—	—

**Example:** The accumulator contains a number between 0 and 3. The following instruction sequence translates the value in the accumulator to one of four values defined by the DB (define byte) directive.

```
RELPC:  INC    A
        MOVC  A,@A+PC
        RET
        DB    66H
        DB    77H
        DB    88H
        DB    99H
```

If the subroutine is called with the accumulator equal to 01H, it returns with 77H in the accumulator. The INC A before the MOVC instruction is needed to "get around" the RET instruction above the table. If several bytes of code separated the MOVC from the table, the corresponding number would be added to the accumulator instead.

**Variations**

---

**MOVC A,@A+PC**

	Binary Mode	Source Mode
<b>Bytes:</b>	1	1
<b>States:</b>	6	6

**[Encoding]**

1 0 0 0	0 0 1 1
---------	---------

**Hex Code in:** Binary Mode = [Encoding]  
Source Mode = [Encoding]

**Operation:** MOVC  
 $(PC) \leftarrow (PC) + 1$   
 $(A) \leftarrow ((A) + (PC))$

---

**MOVC A,@A+DPTR**

	Binary Mode	Source Mode
<b>Bytes:</b>	1	1
<b>States:</b>	6	6

**[Encoding]**

1 0 0 1	0 0 1 1
---------	---------

**Hex Code in:** Binary Mode = [Encoding]  
 Source Mode = [Encoding]

**Operation:** MOVC  
 $(A) \leftarrow ((A) + (DPTR))$

**MOVH DRk,#data16**

**Function:** Move immediate 16-bit data to the high word of a dword (double-word) register

**Description:** Moves 16-bit immediate data to the high word of a dword (32-bit) register. The low word of the dword register is unchanged.

**Flags:**

CY	AC	OV	N	Z
—	—	—	—	—

**Example:** The dword register DRk contains 5566 7788H. After the instruction

MOVH DRk,#1122H

executes, DRk contains 1122 7788H.

**Variations**

**MOVH DRk,#data16**

Binary Mode    Source Mode

**Bytes:**                    5                    4

**States:**                   3                    2

[Encoding]



**Hex Code in:** Binary Mode = [A5][Encoding]  
 Source Mode = [Encoding]

**Operation:** MOVH  
 $(DRk).31:16 \leftarrow \#data16$

**MOVS WRj,Rm**

**Function:** Move 8-bit register to 16-bit register with sign extension

**Description:** Moves the contents of an 8-bit register to the low byte of a 16-bit register. The high byte of the 16-bit register is filled with the sign extension, which is obtained from the MSB of the 8-bit source register.

**Flags:**

CY	AC	OV	N	Z
—	—	—	—	—

**Example:** Eight-bit register Rm contains 055H (01010101B) and the 16-bit register WRj contains 0FFFFH (11111111 11111111B). The instruction

```
MOVS WRj,Rm
```

moves the contents of register Rm (01010101B) to register WRj (i.e., WRj contains 00000000 01010101B).

**Variations**

**MOVS WRj,Rm**

	<b>Binary Mode</b>	<b>Source Mode</b>		
<b>Bytes:</b>	3	2		
<b>States:</b>	2	1		
<b>[Encoding]</b>	0 0 0 1	1 0 1 0	t t t t	s s s s
<b>Hex Code in:</b>	<b>Binary Mode = [A5][Encoding]</b>			
	<b>Source Mode = [Encoding]</b>			
<b>Operation:</b>	MOVS			
	(WRj).7-0 ← (Rm).7-0			
	(WRj).15-8 ← MSB			

**MOVX <dest>,<src>**

**Function:** Move external

**Description:** Transfers data between the accumulator and a byte in external data RAM. There are two types of instructions. One provides an 8-bit indirect address to external data RAM; the second provides a 16-bit indirect address to external data RAM.

In the first type of MOVX instruction, the contents of R0 or R1 in the current register bank provides an 8-bit address on port 0. Eight bits are sufficient for external I/O expansion decoding or for a relatively small RAM array. For larger arrays, any port pins can be used to output higher address bits. These pins would be controlled by an output instruction preceding the MOVX.

In the second type of MOVX instruction, the data pointer generates a 16-bit address. Port 2 outputs the upper eight address bits (from DPH) while port 0 outputs the lower eight address bits (from DPL).

For both types of moves in nonpage mode, the data is multiplexed with the lower address bits on port 0. In page mode, the data is multiplexed with the contents of P2 on port 2 (8-bit address) or with the upper address bits on port 2 (16-bit address).

It is possible in some situations to mix the two MOVX types. A large RAM array with its upper address lines driven by P2 can be addressed via the data pointer, or with code to output upper address bits to P2 followed by a MOVX instruction using R0 or R1.

**Flags:**

CY	AC	OV	N	Z
—	—	—	—	—

**Example:** The MCS 251 controller is operating in nonpage mode. An external 256-byte RAM using multiplexed address/data lines (e.g., an Intel 8155 RAM/I/O/Timer) is connected to port 0. Port 3 provides control lines for the external RAM. ports 1 and 2 are used for normal I/O. R0 and R1 contain 12H and 34H. Location 34H of the external RAM contains 56H. After executing the instruction sequence

```
MOVX A,@R1
MOVX @R0,A
```

the accumulator and external RAM location 12H contain 56H.

**Variations**

**MOVX A,@DPTR**

	Binary Mode	Source Mode
Bytes:	1	1
States:	5	5

[Encoding] 

1 1 1 0	0 0 0 0
---------	---------

Hex Code in: Binary Mode = [Encoding]  
Source Mode = [Encoding]

Operation: MOVX  
(A) ← ((DPTR))

**MOVX A,@Ri**

	Binary Mode	Source Mode
Bytes:	1	1
States:	3	3

[Encoding] 

1 1 1 0	0 0 1 i
---------	---------

Hex Code in: Binary Mode = [Encoding]  
Source Mode = [A5][Encoding]

Operation: MOVX  
(A) ← ((Ri))

**MOVX @DPTR,A**

	Binary Mode	Source Mode
Bytes:	1	1
States:	5	5

[Encoding] 

1 1 1 1	0 0 0 0
---------	---------

Hex Code in: Binary Mode = [Encoding]  
Source Mode = [Encoding]

Operation: MOVX  
((DPTR)) ← (A)

**MOVX @Ri,A**

	Binary Mode	Source Mode
Bytes:	1	1
States:	4	4

[Encoding]	1 1 1 1	0 0 1 i
------------	---------	---------

Hex Code in: **Binary Mode = [Encoding]**  
**Source Mode = [A5][Encoding]**

Operation: MOVX  
 ((Ri)) ← (A)

**MOVZ WRj,Rm**

**Function:** Move 8-bit register to 16-bit register with zero extension

**Description:** Moves the contents of an 8-bit register to the low byte of a 16-bit register. The upper byte of the 16-bit register is filled with zeros.

**Flags:**

CY	AC	OV	N	Z
—	—	—	—	—

**Example:** Eight-bit register Rm contains 055H (01010101B) and 16-bit register WRj contains 0FFFFH (11111111 11111111B). The instruction

MOVZ WRj,Rm

moves the contents of register Rm (01010101B) to register WRj. At the end of the operation, WRj contains 00000000 01010101B.

**Variations****MOVZ WRj,Rm**

	Binary Mode	Source Mode
Bytes:	3	2
States:	2	1

[Encoding]	0 0 0 0	1 0 1 0	t t t t	s s s s
------------	---------	---------	---------	---------

Hex Code in: **Binary Mode = [A5][Encoding]**  
**Source Mode = [Encoding]**

Operation: MOVZ  
 (WRj)7–0 ← (Rm)7–0  
 (WRj)15–8 ← 0



**MUL <dest>,<src>**
**Function:** Multiply

**Description:** Multiplies the unsigned integer in the source register with the unsigned integer in the destination register. Only register addressing is allowed.

For 8-bit operands, the result is 16 bits. The most significant byte of the result is stored in the low byte of the word where the destination register resides. The least significant byte is stored in the following byte register. The OV flag is set if the product is greater than 255 (0FFH); otherwise it is cleared.

For 16-bit operands, the result is 32 bits. The most significant word is stored in the low word of the dword where the destination register resides. The least significant word is stored in the following word register. In this operation, the OV flag is set if the product is greater than 0FFFFH, otherwise it is cleared. The CY flag is always cleared. The N flag is set when the MSB of the result is set. The Z flag is set when the result is zero.

**Flags:**

CY	AC	OV	N	Z
0	—	✓	✓	✓

**Example:** Register R1 contains 80 (50H or 10010000B) and register R0 contains 160 (0A0H or 10010000B). After executing the instruction

MUL R1,R0

which gives the product 12,800 (3200H), register R0 contains 32H (00110010B), register R1 contains 00H, the OV flag is set, and the CY flag is clear.

**MUL Rmd,Rms**

	Binary Mode	Source Mode		
<b>Bytes:</b>	3	2		
<b>States:</b>	6	5		
<b>[Encoding]</b>	1 0 1 0	1 1 0 0	s s s s	S S S S

**Hex Code in:** Binary Mode = [A5][Encoding]  
 Source Mode = [Encoding]

**Operation:** MUL (8-bit operands)  
 if <dest> md = 0, 2, 4, ..., 14  
 Rmd ← high byte of the Rmd X Rms  
 Rmd+1 ← low byte of the Rmd X Rms  
 if <dest> md = 1, 3, 5, ..., 15  
 Rmd-1 ← high byte of the Rmd X Rms  
 Rmd ← low byte of the Rmd X Rms

**MUL WRjd,WRjs**

	Binary Mode	Source Mode
<b>Bytes:</b>	3	2
<b>States:</b>	12	11

**[Encoding]**

1 0 1 0	1 1 0 1	t t t t	t t t t
---------	---------	---------	---------

**Hex Code in:** **Binary Mode = [A5][Encoding]**  
**Source Mode = [Encoding]**

**Operation:** MUL (16-bit operands)  
 if <dest> jd = 0, 4, 8, ..., 28  
 WRjd ← high word of the WRjd X WRjs  
 WRjd+2 ← low word of the WRjd X WRjs  
 if <dest> jd = 2, 6, 10, ..., 30  
 WRjd-2 ← high word of the WRjd X WRjs  
 WRjd ← low word of the WRjd X WRjs

**MUL AB**

**Function:** Multiply

**Description:** Multiplies the unsigned 8-bit integers in the accumulator and register B. The low byte of the 16-bit product is left in the accumulator, and the high byte is left in register B. If the product is greater than 255 (0FFH) the OV flag is set; otherwise it is clear. The CY flag is always clear.

**Flags:**

CY	AC	OV	N	Z
0	—	✓	✓	✓

**Example:** The accumulator contains 80 (50H) and register B contains 160 (0A0H). After executing the instruction

MUL AB

which gives the product 12,800 (3200H), register B contains 32H (00110010B), the accumulator contains 00H, the OV flag is set, and the CY flag is clear.

	Binary Mode	Source Mode
<b>Bytes:</b>	1	1
<b>States:</b>	5	5

**[Encoding]**

1 0 1 0	0 1 0 0
---------	---------

**Hex Code in:** **Binary Mode = [Encoding]**  
**Source Mode = [Encoding]**

**Operation:** MUL  
 (A) ← low byte of (A) X (B)  
 (B) ← high byte of (A) X (B)

**NOP**

**Function:** No operation

**Description:** Execution continues at the following instruction. Affects the PC register only.

**Flags:**

CY	AC	OV	N	Z
—	—	—	—	—

**Example:** You want to produce a low-going output pulse on bit 7 of Port 2 that lasts exactly 11 states. A simple CLR-SETB sequence generates an eight-state pulse. (Each instruction requires four states to write to a port SFR.) You can insert three additional states (if no interrupts are enabled) with the following instruction sequence:

```
CLR P2.7
NOP
NOP
NOP
SETB P2.7
```

	<b>Binary Mode</b>	<b>Source Mode</b>
<b>Bytes:</b>	1	1
<b>States:</b>	1	1

**[Encoding]**

0 0 0 0	0 0 0 0
---------	---------

**Hex Code in:** **Binary Mode = [Encoding]**  
**Source Mode = [Encoding]**

**Operation:** NOP  
(PC) ← (PC) + 1

**ORL <dest> <src>**

**Function:** Logical-OR for byte variables

**Description:** Performs the bitwise logical-OR operation (V) between the specified variables, storing the results in the destination operand.

The destination operand can be a register, an accumulator or direct address.

The two operands allow twelve addressing mode combinations. When the destination is the accumulator, the source can be register, direct, register-indirect, or immediate addressing; when the destination is a direct address, the source can be the accumulator or immediate data. When the destination is register the source can be register, immediate, direct and indirect addressing.

**Note:** When this instruction is used to modify an output port, the value used as the original port data is read from the output data latch, not the input pins.

**Flags:**

CY	AC	OV	N	Z
—	—	—	✓	✓

**Example:** The accumulator contains 0C3H (11000011B) and R0 contains 55H (01010101B). After executing the instruction

```
ORL A,R0
```

the accumulator contains 0D7H (11010111B).

When the destination is a directly addressed byte, the instruction can set combinations of bits in any RAM location or hardware register. The pattern of bits to be set is determined by a mask byte, which may be a constant data value in the instruction or a variable computed in the accumulator at run time. After executing the instruction

```
ORL P1,#00110010B
```

sets bits 5, 4, and 1 of output Port 1.

### Variations

#### ORL dir8,A

	Binary Mode	Source Mode
Bytes:	2	2
States:	2†	2†

†If this instruction addresses a port (Px, x = 0–3), add 2 states.

[Encoding] 

0 1 0 0	0 0 1 0
---------	---------

direct addr
-------------

Hex Code in: Binary Mode = [Encoding]  
Source Mode = [Encoding]

Operation: ORL  
(dir8) ← (dir8) V (A)

#### ORL dir8,#data

	Binary Mode	Source Mode
Bytes:	3	3
States:	3†	3†

†If this instruction addresses a port (Px, x = 0–3), add 1 state.

[Encoding] 

0 1 0 0	0 0 1 1
---------	---------

direct addr
-------------

immed. data
-------------

Hex Code in: Binary Mode = [Encoding]  
Source Mode = [Encoding]

Operation: ORL  
(dir8) ← (dir8) V #data

#### ORL A,#data

	Binary Mode	Source Mode
Bytes:	2	2
States:	1	1

[Encoding] 

0 1 0 0	0 1 0 0
---------	---------

immed. data
-------------

Hex Code in: Binary Mode = [Encoding]  
 Source Mode = [Encoding]

Operation: ORL  
 $(A) \leftarrow (A) \vee \#data$

ORL A,dir8

	Binary Mode	Source Mode
Bytes:	2	2
States:	1†	1†

†If this instruction addresses a port (Px, x = 0–3), add 1 state.

[Encoding] 

0 1 0 0	0 1 0 1
---------	---------

direct addr
-------------

Hex Code in: Binary Mode = [Encoding]  
 Source Mode = [Encoding]

Operation: ORL  
 $(A) \leftarrow (A) \vee (\text{dir8})$

ORL A,@Ri

	Binary Mode	Source Mode
Bytes:	1	2
States:	2	3

[Encoding] 

0 1 0 0	0 1 1 i
---------	---------

Hex Code in: Binary Mode = [Encoding]  
 Source Mode = [A5][Encoding]

Operation: ORL  
 $(A) \leftarrow (A) \vee ((Ri))$

ORL A,Rn

	Binary Mode	Source Mode
Bytes:	1	2
States:	1	2

[Encoding] 

0 1 0 0	1 r r r
---------	---------

Hex Code in: Binary Mode = [Encoding]  
 Source Mode = [A5][Encoding]

Operation: ORL  
 $(A) \leftarrow (A) \vee (Rn)$

ORL Rmd,Rms

	Binary Mode	Source Mode
Bytes:	3	2
States:	2	1

[Encoding] 

0 1 0 0	1 1 0 0
---------	---------

s s s s	S S S S
---------	---------

Hex Code in: Binary Mode = [A5][Encoding]  
Source Mode = [Encoding]

Operation: ORL  
(Rmd) ← (Rmd) V (Rms)

## ORL WRjd,WRjs

	Binary Mode	Source Mode
Bytes:	3	2
States:	3	2

[Encoding] 

0 1 0 0	1 1 0 1
---------	---------

t t t t	T T T T
---------	---------

Hex Code in: Binary Mode = [A5][Encoding]  
Source Mode = [Encoding]

Operation: ORL  
(WRjd)←(WRjd) V (WRjs)

## ORL Rm,#data

	Binary Mode	Source Mode
Bytes:	4	3
States:	3	2

[Encoding] 

0 1 0 0	1 1 1 0
---------	---------

s s s s	0 0 0 0
---------	---------

#data
-------

Hex Code in: Binary Mode = [A5][Encoding]  
Source Mode = [Encoding]

Operation: ORL  
(Rm) ← (Rm) V #data

## ORL WRj,#data16

	Binary Mode	Source Mode
Bytes:	5	4
States:	4	3

[Encoding] 

0 1 0 0	1 1 1 0
---------	---------

t t t t	0 1 0 0
---------	---------

#data hi
----------

#data low
-----------

Hex Code in: Binary Mode = [A5][Encoding]  
Source Mode = [Encoding]

Operation: ORL  
(WRj) ← (WRj) V #data16

**ORL Rm,dir8**

	Binary Mode	Source Mode
Bytes:	4	3
States:	3†	2†

†If this instruction addresses a port (Px, x = 0–3), add 1 state.

[Encoding]    

0 1 0 0	1 1 1 0
---------	---------

s s s s	0 0 0 1
---------	---------

direct addr
-------------

Hex Code in:    **Binary Mode = [A5][Encoding]**  
**Source Mode = [Encoding]**

Operation:    ORL  
 (Rm) ← (Rm) V (dir8)

**ORL WRj,dir8**

	Binary Mode	Source Mode
Bytes:	4	3
States:	4	3

[Encoding]    

0 1 0 0	1 1 1 1
---------	---------

t t t t	0101
---------	------

direct addr
-------------

Hex Code in:    **Binary Mode = [A5][Encoding]**  
**Source Mode = [Encoding]**

Operation:    ORL  
 (WRj) ← (WRj) V (dir8)

**ORL Rm,dir16**

	Binary Mode	Source Mode
Bytes:	5	4
States:	3	2

[Encoding]    

0 1 0 0	1 1 1 0
---------	---------

s s s s	0 0 1 1
---------	---------

direct addr
-------------

direct addr
-------------

Hex Code in:    **Binary Mode = [A5][Encoding]**  
**Source Mode = [Encoding]**

Operation:    ORL  
 (Rm) ← (Rm) V (dir16)

**ORL WRj,dir16**

	Binary Mode	Source Mode
Bytes:	5	4
States:	4	3

[Encoding]

0 1 0 0	1 1 1 0	t t t t	0 1 1 1	direct addr	direct addr
---------	---------	---------	---------	-------------	-------------

Hex Code in: Binary Mode = [A5][Encoding]  
 Source Mode = [Encoding]

Operation: ORL  
 (WRj) ← (WRj) V (dir16)

ORL Rm,@WRj

	Binary Mode	Source Mode
Bytes:	4	3
States:	3	2

[Encoding]

0 1 0 0	1 1 1 0	t t t t	1 0 0 1	s s s s	0 0 0 0
---------	---------	---------	---------	---------	---------

Hex Code in: Binary Mode = [A5][Encoding]  
 Source Mode = [Encoding]

Operation: ORL  
 (Rm) ← (Rm) V ((WRj))

ORL Rm,@DRk

	Binary Mode	Source Mode
Bytes:	4	3
States:	4	3

[Encoding]

0 1 0 0	1 1 1 0	u u u u	1 0 1 1	s s s s	0 0 0 0
---------	---------	---------	---------	---------	---------

Hex Code in: Binary Mode = [A5][Encoding]  
 Source Mode = [Encoding]

Operation: ORL  
 (Rm) ← (Rm) V ((DRk))

ORL CY,<src-bit>

Function: Logical-OR for bit variables

Description: Sets the CY flag if the Boolean value is a logical 1; leaves the CY flag in its current state otherwise. A slash ("/") preceding the operand in the assembly language indicates that the logical complement of the addressed bit is used as the source value, but the source bit itself is not affected.

Flags:

CY	AC	OV	N	Z
✓	—	—	—	—



**Example:** Set the CY flag if and only if P1.0 = 1, ACC. 7 = 1, or OV = 0:

```
MOV CY,P1.0      ;LOAD CARRY WITH INPUT PIN P10
ORL CY,ACC.7    ;OR CARRY WITH THE ACC. BIT 7
ORL CY,OV       ;OR CARRY WITH THE INVERSE OF OV.
```

**Variations**


---

**ORL CY,bit51**

	<b>Binary Mode</b>	<b>Source Mode</b>
<b>Bytes:</b>	2	2
<b>States:</b>	1†	1†

†If this instruction addresses a port (Px, x = 0–3), add 1 state.

**[Encoding]**

0 1 1 1
---------

0 0 1 0
---------

bit addr
----------

**Hex Code in:**    **Binary Mode = [Encoding]**  
**Source Mode = [Encoding]**

**Operation:**    ORL  
 (CY) ← (CY) V (bit51)

---

**ORL CY,/bit51**

	<b>Binary Mode</b>	<b>Source Mode</b>
<b>Bytes:</b>	2	2
<b>States:</b>	1†	1†

†If this instruction addresses a port (Px, x = 0–3), add 1 state.

**[Encoding]**

1 0 1 0
---------

0 0 0 0
---------

bit addr
----------

**Hex Code in:**    **Binary Mode = [Encoding]**  
**Source Mode = [Encoding]**

**Operation:**    ORL  
 (CY) ← (CY) V¬ (bit51)

---

**ORL CY,bit**

	<b>Binary Mode</b>	<b>Source Mode</b>
<b>Bytes:</b>	4	3
<b>States:</b>	3†	2†

†If this instruction addresses a port (Px, x = 0–3), add 1 state.

**[Encoding]**

1 0 1 0	1 0 0 1	0 1 1 1	0	y y y	direct addr
---------	---------	---------	---	-------	-------------

**Hex Code in:**    **Binary Mode = [A5][Encoding]**  
**Source Mode = [Encoding]**

**Operation:**    ORL  
 (CY) ← (CY) V (bit)

---

**ORL CY,/bit**

	Binary Mode	Source Mode
Bytes:	4	3
States:	3†	2†

†If this instruction addresses a port (Px, x = 0–3), add 1 state.

**[Encoding]**

1 0 1 0	1 0 0 1	1 1 1 0	0	y y y	direct addr
---------	---------	---------	---	-------	-------------

Hex Code in: **Binary Mode = [A5][Encoding]**  
**Source Mode = [Encoding]**

Operation: ORL  
 (CY) ← (CY) V ¬ (bit)

---

**POP <src>**

Function: Pop from stack

Description: Reads the contents of the on-chip RAM location addressed by the stack pointer, then decrements the stack pointer by one. The value read at the original RAM location is transferred to the newly addressed location, which can be 8-bit or 16-bit.

**Flags:**

CY	AC	OV	N	Z
—	—	—	—	—

**Example:** The stack pointer contains 32H and on-chip RAM locations 30H through 32H contain 01H, 23H, and 20H, respectively. After executing the instruction sequence

```
POP DPH
POP DPL
```

the stack pointer contains 30H and the data pointer contains 0123H. After executing the instruction

```
POP SP
```

the stack pointer contains 20H. Note that in this special case the stack pointer was decremented to 2FH before it was loaded with the value popped (20H).

**Variations**


---

**POP dir8**

	Binary Mode	Source Mode
Bytes:	2	2
States:	3	3

**[Encoding]**

1 1 0 1	0 0 0 0	direct addr
---------	---------	-------------

Hex Code in: Binary Mode = [Encoding]  
 Source Mode = [Encoding]

Operation: POP  
 $(dir8) \leftarrow ((SP))$   
 $(SP) \leftarrow (SP) - 1$

POP Rm

	Binary Mode	Source Mode
Bytes:	3	2
States:	3	2

[Encoding] 

1 1 0 1	1 0 1 0
---------	---------

s s s s	1 0 0 0
---------	---------

Hex Code in: Binary Mode = [A5][Encoding]  
 Source Mode = [Encoding]

Operation: POP  
 $(Rm) \leftarrow ((SP))$   
 $(SP) \leftarrow (SP) - 1$

POP WRj

	Binary Mode	Source Mode
Bytes:	3	2
States:	5	4

[Encoding] 

1 1 0 1	1 0 1 0
---------	---------

t t t t	1 0 0 1
---------	---------

Hex Code in: Binary Mode = [A5][Encoding]  
 Source Mode = [Encoding]

Operation: POP  
 $(SP) \leftarrow (SP) - 1$   
 $(WRj) \leftarrow ((SP))$   
 $(SP) \leftarrow (SP) - 1$

POP DRk

	Binary Mode	Source Mode
Bytes:	3	2
States:	10	9

[Encoding] 

1 1 0 1	1 0 1 0
---------	---------

u u u u	1 0 1 1
---------	---------

Hex Code in: Binary Mode = [A5][Encoding]  
 Source Mode = [Encoding]

Operation: POP  
 $(SP) \leftarrow (SP) - 3$   
 $(DRk) \leftarrow ((SP))$   
 $(SP) \leftarrow (SP) - 1$

**PUSH <dest>**

**Function:** Push onto stack

**Description:** Increments the stack pointer by one. The contents of the specified variable are then copied into the on-chip RAM location addressed by the stack pointer.

**Flags:**

CY	AC	OV	N	Z
—	—	—	—	—

**Example:** On entering an interrupt routine, the stack pointer contains 09H and the data pointer contains 0123H. After executing the instruction sequence

```
PUSH DPL
PUSH DPH
```

the stack pointer contains 0BH and on-chip RAM locations 0AH and 0BH contain 01H and 23H, respectively.

**Variations**

**PUSH dir8**

	<b>Binary Mode</b>	<b>Source Mode</b>
<b>Bytes:</b>	2	2
<b>States:</b>	4	4

<b>[Encoding]</b>	1 1 0 0	0 0 0 0	direct addr
-------------------	---------	---------	-------------

**Hex Code in:** Binary Mode = [Encoding]  
Source Mode = [Encoding]

**Operation:** PUSH  
 $(SP) \leftarrow (SP) + 1$   
 $((SP)) \leftarrow (dir8)$

**PUSH #data**

	<b>Binary Mode</b>	<b>Source Mode</b>
<b>Bytes:</b>	4	3
<b>States:</b>	4	3

<b>[Encoding]</b>	1 1 0 0	1 0 1 0	0 0 0 0	0 0 1 0	#data
-------------------	---------	---------	---------	---------	-------

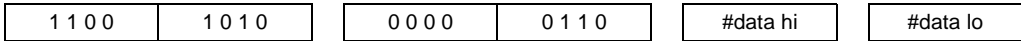
**Hex Code in:** Binary Mode = [Encoding]  
Source Mode = [Encoding]

**Operation:** PUSH  
 $(SP) \leftarrow (SP) + 1$   
 $((SP)) \leftarrow \#data$

**PUSH #data16**

	Binary Mode	Source Mode
Bytes:	5	4
States:	6	5

[Encoding]



Hex Code in: **Binary Mode = [A5][Encoding]**  
**Source Mode = [Encoding]**

Operation: PUSH  
 $(SP) \leftarrow (SP) + 2$   
 $((SP)) \leftarrow$  MSB of #data16  
 $((SP)) \leftarrow$  LSB of #data16

**PUSH Rm**

	Binary Mode	Source Mode
Bytes:	3	2
States:	4	3

[Encoding]



Hex Code in: **Binary Mode = [A5][Encoding]**  
**Source Mode = [Encoding]**

Operation: PUSH  
 $(SP) \leftarrow (SP) + 1$   
 $((SP)) \leftarrow (Rm)$

**PUSH WRj**

	Binary Mode	Source Mode
Bytes:	3	2
States:	5	4

[Encoding]



Hex Code in: **Binary Mode = [A5][Encoding]**  
**Source Mode = [Encoding]**

Operation: PUSH  
 $(SP) \leftarrow (SP) + 1$   
 $((SP)) \leftarrow (WRj)$   
 $(SP) \leftarrow (SP) + 1$

---

**PUSH DRk**

	Binary Mode	Source Mode
Bytes:	3	2
States:	9	8

[Encoding]	1 1 0 0	1 0 1 0	u u u u	1 0 1 1
------------	---------	---------	---------	---------

Hex Code in: **Binary Mode = [A5][Encoding]**  
**Source Mode = [Encoding]**

Operation: PUSH  
 $(SP) \leftarrow (SP) + 1$   
 $((SP)) \leftarrow (DRk)$   
 $(SP) \leftarrow (SP) + 3$

---

**RET**

Function: Return from subroutine

Description: Pops the high and low bytes of the PC successively from the stack, decrementing the stack pointer by two. Program execution continues at the resulting address, which normally is the instruction immediately following ACALL or LCALL.

Flags:

CY	AC	OV	N	Z
—	—	—	—	—

Example: The stack pointer contains 0BH and on-chip RAM locations 0AH and 0BH contain 01H and 23H, respectively. After executing the instruction,

RET

the stack pointer contains 09H and program execution continues at location 0123H.

	Binary Mode	Source Mode
Bytes:	1	1
States:	7	7

[Encoding]	0 0 1 0	0 0 1 0
------------	---------	---------

Hex Code in: **Binary Mode = [Encoding]**  
**Source Mode = [Encoding]**

Operation: RET  
 $(PC).15:8 \leftarrow ((SP))$   
 $(SP) \leftarrow (SP) - 1$   
 $(PC).7:0 \leftarrow ((SP))$   
 $(SP) \leftarrow (SP) - 1$

**RETI**

**Function:** Return from interrupt

**Description:** This instruction pops two or four bytes from the stack, depending on the INTR bit in the CONFIG1 register.

If INTR = 0, RETI pops the high and low bytes of the PC successively from the stack and uses them as the 16-bit return address in region FF:. The stack pointer is decremented by two. No other registers are affected, and neither PSW nor PSW1 is automatically restored to its pre-interrupt status.

If INTR = 1, RETI pops four bytes from the stack: PSW1 and the three bytes of the PC. The three bytes of the PC are the return address, which can be anywhere in the 16-Mbyte memory space. The stack pointer is decremented by four. PSW1 is restored to its pre-interrupt status, but PSW is **not** restored to its pre-interrupt status. No other registers are affected.

For either value of INTR, hardware restores the interrupt logic to accept additional interrupts at the same priority level as the one just processed. Program execution continues at the return address, which normally is the instruction immediately after the point at which the interrupt request was detected. If an interrupt of the same or lower priority is pending when the RETI instruction is executed, that one instruction is executed before the pending interrupt is processed.

**Flags:**

CY	AC	OV	N	Z
—	—	—	—	—

**Example:** INTR = 0. The stack pointer contains 0BH. An interrupt was detected during the instruction ending at location 0122H. On-chip RAM locations 0AH and 0BH contain 01H and 23H, respectively. After executing the instruction

RETI

the stack pointer contains 09H and program execution continues at location 0123H.

**Binary Mode    Source Mode**

**Bytes:**                    1                    1  
**States (INTR = 0):**        9                    9  
**States (INTR = 1):**        12                  12

**[Encoding]**

0 0 1 1	0 0 1 0
---------	---------

**Hex Code in:**    **Binary Mode = [Encoding]**  
                          **Source Mode = [Encoding]**

**Operation for INTR = 0:**

RETI  
(PC).15:8 ← ((SP))  
(SP) ← (SP) - 1  
(PC).7:0 ← ((SP))  
(SP) ← (SP) - 1

**Operation for INTR = 1:**

```

RETI
(PC).15:8 ← ((SP))
(SP) ← (SP) - 1
(PC).7:0 ← ((SP))
(SP) ← (SP) - 1
(PC).23:16 ← ((SP))
(SP) ← (SP) - 1
PSW1 ← ((SP))
(SP) ← (SP) - 1

```

**RL A****Function:** Rotate accumulator left**Description:** Rotates the eight bits in the accumulator one bit to the left. Bit 7 is rotated into the bit 0 position.**Flags:**

CY	AC	OV	N	Z
—	—	—	✓	✓

**Example:** The accumulator contains 0C5H (11000101B). After executing the instruction,

RL A

the accumulator contains 8BH (10001011B); the CY flag is unaffected.

	Binary Mode	Source Mode
<b>Bytes:</b>	1	1
<b>States:</b>	1	1
<b>[Encoding]</b>	0 0 1 0	0 0 1 1

**Hex Code in:** **Binary Mode = [Encoding]**  
**Source Mode = [Encoding]****Operation:** RL  
(A).a+1 ← (A).a  
(A).0 ← (A).7**RLC A****Function:** Rotate accumulator left through the carry flag**Description:** Rotates the eight bits in the accumulator and the CY flag one bit to the left. Bit 7 moves into the CY flag position and the original state of the CY flag moves into bit 0 position.**Flags:**

CY	AC	OV	N	Z
✓	—	—	✓	✓



**Example:** The accumulator contains 0C5H (11000101B) and the CY flag is clear. After executing the instruction

RLC A

the accumulator contains 8AH (10001010B) and the CY flag is set.

	Binary Mode	Source Mode
Bytes:	1	1
States:	1	1

[Encoding]	0 0 1 1	0 0 1 1
------------	---------	---------

Hex Code in: **Binary Mode = [Encoding]**  
**Source Mode = [Encoding]**

**Operation:** RLC  
 (A).a+1 ← (A).a  
 (A).0 ← (CY)  
 (CY) ← (A).7

**RR A**

**Function:** Rotate accumulator right

**Description:** Rotates the 8 or 16 bits in the accumulator one bit to the right. Bit 0 is moved into the bit 7 or 15 position.

**Flags:**

CY	AC	OV	N	Z
—	—	—	✓	✓

**Example:** The accumulator contains 0C5H (11000101B). After executing the instruction

RR A

the accumulator contains 0E2H (11100010B) and the CY flag is unaffected.

	Binary Mode	Source Mode
Bytes:	1	1
States:	1	1

[Encoding]	0 0 0 0	0 0 1 1
------------	---------	---------

Hex Code in: **Binary Mode = [Encoding]**  
**Source Mode = [Encoding]**

**Operation:** RR  
 (A).a ← (A).a+1  
 (A).7 ← (A).0

---

**RRC A**

**Function:** Rotate accumulator right through carry flag

**Description:** Rotates the eight bits in the accumulator and the CY flag one bit to the right. Bit 0 moves into the CY flag position; the original value of the CY flag moves into the bit 7 position.

**Flags:**

CY	AC	OV	N	Z
✓	—	—	✓	✓

**Example:** The accumulator contains 0C5H (11000101B) and the CY flag is clear. After executing the instruction

RRC A

the accumulator contains 62 (01100010B) and the CY flag is set.

	Binary Mode	Source Mode
<b>Bytes:</b>	1	1
<b>States:</b>	1	1
<b>[Encoding]</b>	0 0 0 1	0 0 1 1

**Hex Code in:** Binary Mode = [Encoding]  
Source Mode = [Encoding]

**Operation:** RRC  
 $(A).a \leftarrow (A).a+1$   
 $(A).7 \leftarrow (CY)$   
 $(CY) \leftarrow (A).0$

---

**SETB <bit>**

**Function:** Set bit

**Description:** Sets the specified bit to one. SETB can operate on the CY flag or any directly addressable bit.

**Flags:** No flags are affected except the CY flag for instruction with CY as the operand.

CY	AC	OV	N	Z
✓	—	—	—	—

**Example:** The CY flag is clear and output Port 1 contains 34H (00110100B). After executing the instruction sequence

SETB CY  
SETB P1.0

the CY flag is set and output Port 1 contains 35H (00110101B).

**SETB bit51**

	Binary Mode	Source Mode
Bytes:	2	2
States:	2†	2†

†If this instruction addresses a port (Px, x = 0–3), add 2 states.

[Encoding]

1 1 0 1	0 0 1 0	bit addr
---------	---------	----------

Hex Code in: Binary Mode = [Encoding]  
Source Mode = [Encoding]

Operation: SETB  
(bit51) ← 1

**SETB CY**

	Binary Mode	Source Mode
Bytes:	1	1
States:	1	1

[Encoding]

1 1 0 1	0 0 1 1
---------	---------

Hex Code in: Binary Mode = [Encoding]  
Source Mode = [Encoding]

Operation: SETB  
(CY) ← 1

**SETB bit**

	Binary Mode	Source Mode
Bytes:	4	3
States:	4†	3†

†If this instruction addresses a port (Px, x = 0–3), add 2 states.

[Encoding]

1 0 1 0	1 0 0 1	1 1 0 1	0	y y y	direct addr
---------	---------	---------	---	-------	-------------

Hex Code in: Binary Mode = [A5][Encoding]  
Source Mode = [Encoding]

Operation: SETB  
(bit) ← 1

**SJMP rel**

Function: Short jump

**Description:** Program control branches unconditionally to the specified address. The branch destination is computed by adding the signed displacement in the second instruction byte to the PC, after incrementing the PC twice. Therefore, the range of destinations allowed is from 128 bytes preceding this instruction to 127 bytes following it.

**Flags:**

CY	AC	OV	N	Z
—	—	—	—	—

**Example:** The label "RELADR" is assigned to an instruction at program memory location 0123H. The instruction

SJMP RELADR

assembles into location 0100H. After executing the instruction, the PC contains 0123H.

(Note: In the above example, the instruction following SJMP is located at 102H. Therefore, the displacement byte of the instruction is the relative offset (0123H–0102H) = 21H. Put another way, an SJMP with a displacement of 0FEH would be a one-instruction infinite loop.)

**Binary Mode    Source Mode**

**Bytes:**                    2                    2  
**States:**                   4                    4

**[Encoding]**

1 0 0 0
---------

0 0 0 0
---------

rel. addr
-----------

**Hex Code in:**    **Binary Mode = [Encoding]**  
**Source Mode = [Encoding]**

**Operation:**        SJMP  
(PC) ← (PC) + 2  
(PC) ← (PC) + rel

**SLL <src>**

**Function:**        Shift logical left by 1 bit

**Description:**    Shifts the specified variable to the left by 1 bit, replacing the LSB with zero. The bit shifted out (MSB) is stored in the CY bit.

**Flags:**

CY	AC	OV	N	Z
✓	—	—	✓	✓

**Example:**        Register 1 contains 0C5H (11000101B). After executing the instruction

SLL register 1

Register 1 contains 8AH (10001010B) and CY = 1.

**Variations**

**SLL Rm**

**Binary Mode    Source Mode**

**Bytes:**                    3                    2  
**States:**                   2                    1

**[Encoding]**

0 0 1 1
---------

1 1 1 0
---------

s s s s
---------

0 0 0 0
---------

**Hex Code in:** Binary Mode = [A5][Encoding]  
 Source Mode = [Encoding]

**Operation:** SLL  
 $(Rm).a+1 \leftarrow (Rm).a$   
 $(Rm).0 \leftarrow 0$   
 $CY \leftarrow (Rm).7$

**SLL WRj**

	Binary Mode	Source Mode
<b>Bytes:</b>	3	2
<b>States:</b>	2	1

**[Encoding]**

0 0 1 1	1 1 1 0	t t t t	0 1 0 0
---------	---------	---------	---------

**Hex Code in:** Binary Mode = [A5][Encoding]  
 Source Mode = [Encoding]

**Operation:** SLL  
 $WRj).b+1 \leftarrow (WRj).b$   
 $(WRj).0 \leftarrow 0$   
 $CY \leftarrow (WRj).15$

**SRA <src>**

**Function:** Shift arithmetic right by 1 bit

**Description:** Shifts the specified variable to the arithmetic right by 1 bit. The MSB is unchanged. The bit shifted out (LSB) is stored in the CY bit.

**Flags:**

CY	AC	OV	N	Z
✓	—	—	✓	✓

**Example:** Register 1 contains 0C5H (11000101B). After executing the instruction  
 SRA register 1

Register 1 contains 0E2H (11100010B) and  $CY = 1$ .

**Variations**
**SRA Rm**

	Binary Mode	Source Mode
<b>Bytes:</b>	3	2
<b>States:</b>	2	1

**[Encoding]**

0 0 0 0	1 1 1 0	s s s s	0 0 0 0
---------	---------	---------	---------

**Hex Code in:** Binary Mode = [A5][Encoding]  
 Source Mode = [Encoding]

**Operation:** SRA  
 $(Rm).7 \leftarrow (Rm).7$   
 $(Rm).a \leftarrow (Rm).a+1$   
 $CY \leftarrow (Rm).0$

**SRA WRj**

	Binary Mode	Source Mode
Bytes:	3	2
States:	2	1

[Encoding]	0 0 0 0	1 1 1 0	tttt	0 1 0 0
------------	---------	---------	------	---------

Hex Code in: Binary Mode = [A5][Encoding]  
Source Mode = [Encoding]

Operation: SRA  
 $(WRj).15 \leftarrow (WRj).15$   
 $(WRj).b \leftarrow (WRj).b+1$   
 $CY \leftarrow (WRj).0$

**SRL <src>**

Function: Shift logical right by 1 bit

Description: SRL shifts the specified variable to the right by 1 bit, replacing the MSB with a zero. The bit shifted out (LSB) is stored in the CY bit.

**Flags:**

CY	AC	OV	N	Z
✓	—	—	✓	✓

Example: Register 1 contains 0C5H (11000101B). After executing the instruction

SRL register 1

Register 1 contains 62H (01100010B) and CY = 1.

## Variations

**SRL Rm**

	Binary Mode	Source Mode
Bytes:	3	2
States:	2	1

[Encoding]	0 0 0 1	1 1 1 0	ssss	0 0 0 0
------------	---------	---------	------	---------

Hex Code in: Binary Mode = [A5][Encoding]  
Source Mode = [Encoding]

Operation: SRL  
 $(Rm).7 \leftarrow 0$   
 $(Rm).a \leftarrow (Rm).a+1$   
 $CY \leftarrow (Rm).0$

**SRL WRj**

	<b>Binary Mode</b>	<b>Source Mode</b>
<b>Bytes:</b>	3	2
<b>States:</b>	2	1

[Encoding]    

0 0 0 1	1 1 1 0
---------	---------

t t t t	0 1 0 0
---------	---------

**Hex Code in:**    **Binary Mode = [A5][Encoding]**  
**Source Mode = [Encoding]**

**Operation:**    SRL  
(WRj).15 ← 0  
(WRj).b ← (WRj).b+1  
CY ← (WRj).0

**SUB <dest>,<src>**

**Function:**    Subtract

**Description:**    Subtracts the specified variable from the destination operand, leaving the result in the destination operand. SUB sets the CY (borrow) flag if a borrow is needed for bit 7. Otherwise, CY is clear.

When subtracting signed integers, the OV flag indicates a negative number produced when a negative value is subtracted from a positive value, or a positive result when a positive number is subtracted from a negative number.

Bit 7 in this description refers to the most significant byte of the operand (8, 16, or 32 bit).

The source operand allows four addressing modes: immediate, indirect, register and direct.

**Flags:**

CY	AC	OV	N	Z
✓	✓†	✓	✓	✓

†For word and dword subtractions, AC is not affected.

**Example:**    Register 1 contains 0C9H (11001001B) and register 0 contains 54H (01010100B). After executing the instruction

SUB R1,R0

register 1 contains 75H (01110101B), the CY and AC flags are clear, and the OV flag is set.

**Variations**

**SUB Rmd,Rms**

	<b>Binary Mode</b>	<b>Source Mode</b>
<b>Bytes:</b>	3	2
<b>States:</b>	2	1

[Encoding]    

1 0 0 1	1 1 0 0
---------	---------

s s s s	S S S S
---------	---------

Hex Code in: Binary Mode = [A5][Encoding]  
 Source Mode = [Encoding]

Operation: SUB  
 $(Rmd) \leftarrow (Rmd) - (Rms)$

**SUB WRjd,WRjs**

	Binary Mode	Source Mode
Bytes:	3	2
States:	3	2

[Encoding]	1 0 0 1	1 1 0 1	t t t t	T T T T
------------	---------	---------	---------	---------

Hex Code in: Binary Mode = [A5][Encoding]  
 Source Mode = [Encoding]

Operation: SUB  
 $(WRjd) \leftarrow (WRjd) - (WRjs)$

**SUB DRkd,DRks**

	Binary Mode	Source Mode
Bytes:	3	2
States:	5	4

[Encoding]	1 0 0 1	1 1 1 1	u u u u	U U U U
------------	---------	---------	---------	---------

Hex Code in: Binary Mode = [A5][Encoding]  
 Source Mode = [Encoding]

Operation: SUB  
 $(DRkd) \leftarrow (DRkd) - (DRks)$

**SUB Rm,#data**

	Binary Mode	Source Mode
Bytes:	4	3
States:	3	2

[Encoding]	1 0 0 1	1 1 1 0	s s s s	0 0 0 0	#data
------------	---------	---------	---------	---------	-------

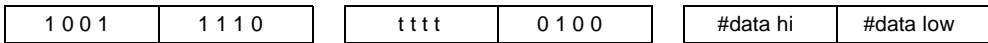
Hex Code in: Binary Mode = [A5][Encoding]  
 Source Mode = [Encoding]

Operation: SUB  
 $(Rm) \leftarrow (Rm) - \#data$

**SUB WRj,#data16**

	Binary Mode	Source Mode
Bytes:	5	4
States:	4	3



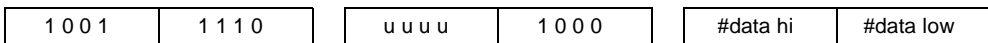
**[Encoding]**

**Hex Code in:** Binary Mode = [A5][Encoding]

Source Mode = [Encoding]

**Operation:** SUB  
 (WRj) ← (WRj) – #data16

**SUB DRk,#data16**

	Binary Mode	Source Mode
Bytes:	5	4
States:	6	5

**[Encoding]**

**Hex Code in:** Binary Mode = [A5][Encoding]

Source Mode = [Encoding]

**Operation:** SUB  
 (DRk) ← (DRk) – #data16

**SUB Rm,dir8**

	Binary Mode	Source Mode
Bytes:	4	3
States:	3†	2†

†If this instruction addresses a port (Px, x = 0–3), add 1 state.


**Hex Code in:** Binary Mode = [A5][Encoding]

Source Mode = [Encoding]

**Operation:** SUB  
 (Rm) ← (Rm) – (dir8)

**SUB WRj,dir8**

	Binary Mode	Source Mode
Bytes:	4	3
States:	4	3


**Hex Code in:** Binary Mode = [A5][Encoding]

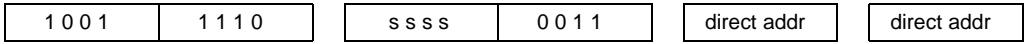
Source Mode = [Encoding]

**Operation:** SUB  
 (WRj) ← (WRj) – (dir8)

**SUB Rm,dir16**

	Binary Mode	Source Mode
Bytes:	5	4
States:	3	2

[Encoding]



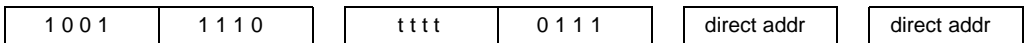
Hex Code in: **Binary Mode = [A5][Encoding]**  
**Source Mode = [Encoding]**

Operation: SUB  
 $(Rm) \leftarrow (Rm) - (dir16)$

**SUB WRj,dir16**

	Binary Mode	Source Mode
Bytes:	5	4
States:	4	3

[Encoding]



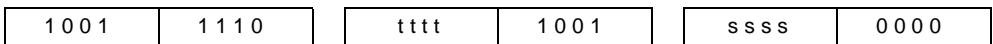
Hex Code in: **Binary Mode = [A5][Encoding]**  
**Source Mode = [Encoding]**

Operation: SUB  
 $(WRj) \leftarrow (WRj) - (dir16)$

**SUB Rm,@WRj**

	Binary Mode	Source Mode
Bytes:	4	3
States:	3	2

[Encoding]



Hex Code in: **Binary Mode = [A5][Encoding]**  
**Source Mode = [Encoding]**

Operation: SUB  
 $(Rm) \leftarrow (Rm) - ((WRj))$

**SUB Rm,@DRk**

	Binary Mode	Source Mode
Bytes:	4	3
States:	4	3

[Encoding]

1 0 0 1	1 1 1 0	u u u u	1 0 1 1	s s s s	0 0 0 0
---------	---------	---------	---------	---------	---------

Hex Code in: **Binary Mode = [A5][Encoding]**  
**Source Mode = [Encoding]**

Operation: SUB  
 (Rm) ← (Rm) – ((DRk))

**SUBB A,<src-byte>**

**Function:** Subtract with borrow

**Description:** SUBB subtracts the specified variable and the CY flag together from the accumulator, leaving the result in the accumulator. SUBB sets the CY (borrow) flag if a borrow is needed for bit 7, and clears CY otherwise. (If CY was set before executing a SUBB instruction, this indicates that a borrow was needed for the previous step in a multiple precision subtraction, so the CY flag is subtracted from the accumulator along with the source operand.) AC is set if a borrow is needed for bit 3, and cleared otherwise. OV is set if a borrow is needed into bit 6, but not into bit 7, or into bit 7, but not bit 6.

When subtracting signed integers the OV flag indicates a negative number produced when a negative value is subtracted from a positive value, or a positive result when a positive number is subtracted from a negative number.

Bit 6 and bit 7 in this description refer to the most significant byte of the operand (8, 16, or 32 bit).

The source operand allows four addressing modes: register, direct, register-indirect, or immediate.

**Flags:**

CY	AC	OV	N	Z
✓	✓	✓	✓	✓

**Example:** The accumulator contains 0C9H (11001001B), register 2 contains 54H (01010100B), and the CY flag is set. After executing the instruction

SUBB A,R2

the accumulator contains 74H (01110100B), the CY and AC flags are clear, and the OV flag is set.

Notice that 0C9H minus 54H is 75H. The difference between this and the above result is due to the CY (borrow) flag being set before the operation. If the state of the carry is not known before starting a single or multiple-precision subtraction, it should be explicitly cleared by a CLR CY instruction.

**Variations**

**SUBB A,#data**

	Binary Mode	Source Mode
Bytes:	2	2
States:	1	1

[Encoding] 

1 0 0 1	0 1 0 0
---------	---------

immed. data
-------------

Hex Code in: **Binary Mode = [Encoding]**  
**Source Mode = [Encoding]**

Operation: SUBB  
(A) ← (A) – (CY) – #data

#### SUBB A,dir8

	Binary Mode	Source Mode
Bytes:	2	2
States:	1†	1†

†If this instruction addresses a port (Px, x = 0–3), add 1 state.

[Encoding] 

1 0 0 1	0 1 0 1
---------	---------

direct addr
-------------

Hex Code in: **Binary Mode = [Encoding]**  
**Source Mode = [Encoding]**

Operation: SUBB  
(A) ← (A) – (CY) – (dir8)

#### SUBB A,@Ri

	Binary Mode	Source Mode
Bytes:	1	2
States:	2	3

[Encoding] 

1 0 0 1	0 1 1 i
---------	---------

Hex Code in: **Binary Mode = [Encoding]**  
**Source Mode = [A5][Encoding]**

Operation: SUBB  
(A) ← (A) – (CY) – ((Ri))

#### SUBB A,Rn

	Binary Mode	Source Mode
Bytes:	1	2
States:	1	2

[Encoding] 

1 0 0 1	1 r r r
---------	---------

Hex Code in: **Binary Mode = [Encoding]**  
**Source Mode = [A5][Encoding]**

Operation: SUBB  
(A) ← (A) – (CY) – (Rn)

**SWAP A**

**Function:** Swap nibbles within the accumulator

**Description:** Interchanges the low and high nibbles (4-bit fields) of the accumulator (bits 3–0 and bits 7–4). This operation can also be thought of as a 4-bit rotate instruction.

**Flags:**

CY	AC	OV	N	Z
—	—	—	—	—

**Example:** The accumulator contains 0C5H (11000101B). After executing the instruction

SWAP A

the accumulator contains 5CH (01011100B).

	Binary Mode	Source Mode
<b>Bytes:</b>	1	1
<b>States:</b>	2	2

**[Encoding]**

1 1 0 0	0 1 0 0
---------	---------

**Hex Code in:** **Binary Mode = [Encoding]**  
**Source Mode = [Encoding]**

**Operation:** SWAP  
 (A).3:0 → ← (A).7:4

**TRAP**

**Function:** Causes interrupt call

**Description:** Causes an interrupt call that is vectored through location 0FF007BH. The operation of this instruction is not affected by the state of the interrupt enable flag in PSW0 and PSW1. Interrupt calls can not occur immediately following this instruction. This instruction is intended for use by Intel-provided development tools. These tools do not support user application of this instruction.

**Flags:**

CY	AC	OV	N	Z
—	—	—	—	—

**Example:** The instruction

TRAP

causes an interrupt call to location 0FF007BH during normal operation.

	Binary Mode	Source Mode
Bytes:	2	1
States (2 bytes):	11	10
States (4 bytes):	16	15

[Encoding]	1 0 1 1	1 0 0 1
------------	---------	---------

Hex Code in: Binary Mode = [A5][Encoding]  
Source Mode = [Encoding]

Operation: TRAP  
 $SP \leftarrow SP - 2$   
 $(SP) \leftarrow PC$   
 $PC \leftarrow (0FF007BH)$

### XCH A,<byte>

**Function:** Exchange accumulator with byte variable

**Description:** Loads the accumulator with the contents of the specified variable, at the same time writing the original accumulator contents to the specified variable. The source/destination operand can use register, direct, or register-indirect addressing.

**Flags:**

CY	AC	OV	N	Z
—	—	—	—	—

**Example:** R0 contains the address 20H, the accumulator contains 3FH (00111111B) and on-chip RAM location 20H contains 75H (01110101B). After executing the instruction

XCH A,@R0

RAM location 20H contains 3FH (00111111B) and the accumulator contains 75H (01110101B).

### Variations

### XCH A,dir8

	Binary Mode	Source Mode
Bytes:	2	2
States:	3†	3†

†If this instruction addresses a port (Px, x = 0–3), add 2 states.

[Encoding]	1 1 0 0	0 1 0 1	direct addr
------------	---------	---------	-------------

Hex Code in: Binary Mode = [Encoding]  
Source Mode = [Encoding]

Operation: XCH  
 $(A) \rightarrow \leftarrow (\text{dir8})$

**XCH A,@Ri**

	<b>Binary Mode</b>	<b>Source Mode</b>
<b>Bytes:</b>	1	2
<b>States:</b>	4	5
<b>[Encoding]</b>	1 1 0 0	0 1 1 i

**Hex Code in:** **Binary Mode = [Encoding]**  
**Source Mode = [A5][Encoding]**

**Operation:** XCH  
 (A) → ← ((Ri))

**XCH A,Rn**

	<b>Binary Mode</b>	<b>Source Mode</b>
<b>Bytes:</b>	1	2
<b>States:</b>	3	4
<b>[Encoding]</b>	1 1 0 0	1 r r r

**Hex Code in:** **Binary Mode = [Encoding]**  
**Source Mode = [A5][Encoding]**

**Operation:** XCH  
 (A) → ← (Rn)

**Variations**

**XCHD A,@Ri**

**Function:** Exchange digit

**Description:** Exchanges the low nibble of the accumulator (bits 3-0), generally representing a hexadecimal or BCD digit, with that of the on-chip RAM location indirectly addressed by the specified register. Does not affect the high nibble (bits 7-4) of either register.

**Flags:**

CY	AC	OV	N	Z
—	—	—	—	—

**Example:** R0 contains the address 20H, the accumulator contains 36H (00110110B), and on-chip RAM location 20H contains 75H (01110101B). After executing the instruction

XCHD A,@R0

on-chip RAM location 20H contains 76H (01110110B) and 35H (00110101B) in the accumulator.

	Binary Mode	Source Mode
Bytes:	1	2
States:	4	5

[Encoding]	1 1 0 1	0 1 1 i
------------	---------	---------

Hex Code in: Binary Mode = [Encoding]  
Source Mode = [Encoding]

Operation: XCHD  
(A).3:0 → ← ((Ri)).3:0

**XRL <dest>,<src>**

**Function:** Logical Exclusive-OR for byte variables

**Description:** Performs the bitwise logical Exclusive-OR operation ( $\vee$ ) between the specified variables, storing the results in the destination. The destination operand can be the accumulator, a register, or a direct address.

The two operands allow 12 addressing mode combinations. When the destination is the accumulator or a register, the source addressing can be register, direct, register-indirect, or immediate; when the destination is a direct address, the source can be the accumulator or immediate data.

(Note: When this instruction is used to modify an output port, the value used as the original port data is read from the output data latch, not the input pins.)

**Flags:**

CY	AC	OV	N	Z
—	—	—	✓	✓

**Example:** The accumulator contains 0C3H (11000011B) and R0 contains 0AAH (10101010B). After executing the instruction

XRL A,R0

the accumulator contains 69H (01101001B).

When the destination is a directly addressed byte, this instruction can complement combinations of bits in any RAM location or hardware register. The pattern of bits to be complemented is then determined by a mask byte, either a constant contained in the instruction or a variable computed in the accumulator at run time. The instruction

XRL P1,#00110001B

complements bits 5, 4, and 0 of output Port 1.

**Variations**

**XRL dir8,A**

	Binary Mode	Source Mode
Bytes:	2	2
States:	2†	2†

†If this instruction addresses a port (Px, x = 0–3), add 2 states.



[Encoding] 

0 1 1 0	0 0 1 0
---------	---------

direct addr
-------------

Hex Code in: **Binary Mode = [Encoding]**  
**Source Mode = [Encoding]**

Operation: XRL  
 $(dir8) \leftarrow (dir8) \vee (A)$

XRL dir8,#data

	Binary Mode	Source Mode
Bytes:	3	3
States:	3†	3†

†If this instruction addresses a port (Px, x = 0–3), add 1 state.

[Encoding] 

0 1 1 0	0 0 1 1
---------	---------

direct addr
-------------

immed. data
-------------

Hex Code in: **Binary Mode = [Encoding]**  
**Source Mode = [Encoding]**

Operation: XRL  
 $(dir8) \leftarrow (dir8) \vee \#data$

XRL A,#data

	Binary Mode	Source Mode
Bytes:	2	2
States:	1	1

[Encoding] 

0 1 1 0	0 1 0 0
---------	---------

immed. data
-------------

Hex Code in: **Binary Mode = [Encoding]**  
**Source Mode = [Encoding]**

Operation: XRL  
 $(A) \leftarrow (A) \vee \#data$

XRL A,dir8

	Binary Mode	Source Mode
Bytes:	2	2
States:	1†	1†

†If this instruction addresses a port (Px, x = 0–3), add 1 state.

[Encoding] 

0 1 1 0	0 1 0 1
---------	---------

direct addr
-------------

Hex Code in: **Binary Mode = [Encoding]**  
**Source Mode = [Encoding]**

Operation: XRL  
 $(A) \leftarrow (A) \vee (dir8)$

---

**XRL A,@Ri**

	Binary Mode	Source Mode
Bytes:	1	2
States:	2	3

[Encoding]	0 1 1 0	0 1 1 i
------------	---------	---------

Hex Code in: **Binary Mode = [Encoding]**  
**Source Mode = [A5][Encoding]**

Operation: XRL  
 $(A) \leftarrow (A) \vee ((Ri))$

---

**XRL A,Rn**

	Binary Mode	Source Mode
Bytes:	1	2
States:	1	2

[Encoding]	0 1 1 0	1 r r r
------------	---------	---------

Hex Code in: **Binary Mode = [Encoding]**  
**Source Mode = [A5][Encoding]**

Operation: XRL  
 $(A) \leftarrow (A) \vee (Rn)$

---

**XRL Rmd,Rms**

	Binary Mode	Source Mode
Bytes:	3	2
States:	2	1

[Encoding]	0 1 1 0	1 1 0 0	s s s s	S S S S
------------	---------	---------	---------	---------

Hex Code in: **Binary Mode = [A5][Encoding]**  
**Source Mode = [Encoding]**

Operation: XRL  
 $(Rmd) \leftarrow (Rmd) \vee (Rms)$

---

**XRL WRjd,WRjs**

	Binary Mode	Source Mode
Bytes:	3	2
States:	3	2

[Encoding]	0 1 1 0	1 1 0 1	t t t t	T T T T
------------	---------	---------	---------	---------

Hex Code in: **Binary Mode = [A5][Encoding]**  
**Source Mode = [Encoding]**

**Operation:** XRL  
 $(WRds) \leftarrow (WRjd) \vee (WRjs)$

**XRL Rm,#data**

	Binary Mode	Source Mode
<b>Bytes:</b>	4	3
<b>States:</b>	3	2

**[Encoding]**

0 1 1 0	1 1 1 0	s s s s	0 0 0 0	#data
---------	---------	---------	---------	-------

**Hex Code in:** **Binary Mode = [A5][Encoding]**  
**Source Mode = [Encoding]**

**Operation:** XRL  
 $(Rm) \leftarrow (Rm) \vee \#data$

**XRL WRj,#data16**

	Binary Mode	Source Mode
<b>Bytes:</b>	5	4
<b>States:</b>	4	3

**[Encoding]**

0 1 1 0	1 1 1 0	t t t t	0 1 0 0	#data hi	#data low
---------	---------	---------	---------	----------	-----------

**Hex Code in:** **Binary Mode = [A5][Encoding]**  
**Source Mode = [Encoding]**

**Operation:** XRL  
 $(WRj) \leftarrow (WRj) \vee \#data16$

**XRL Rm,dir8**

	Binary Mode	Source Mode
<b>Bytes:</b>	4	3
<b>States:</b>	3†	2†

†If this instruction addresses a port (Px, x = 0–3), add 1 state.

**[Encoding]**

0 1 1 0	1 1 1 0	s s s s	0 0 0 1	direct addr
---------	---------	---------	---------	-------------

**Hex Code in:** **Binary Mode = [A5][Encoding]**  
**Source Mode = [Encoding]**

**Operation:** XRL  
 $(Rm) \leftarrow (Rm) \vee (dir8)$

**XRL WRj,dir8**

	Binary Mode	Source Mode
<b>Bytes:</b>	4	3
<b>States:</b>	4	3

**[Encoding]**

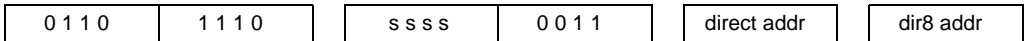
0 1 1 0	1 1 1 0	t t t t	0 1 0 1	direct addr
---------	---------	---------	---------	-------------

**Hex Code in:** Binary Mode = [A5][Encoding]  
 Source Mode = [Encoding]

**Operation:** XRL  
 $(WRj) \leftarrow (WRj) \vee (\text{dir}8)$

**XRL Rm,dir16**

	Binary Mode	Source Mode
<b>Bytes:</b>	5	4
<b>States:</b>	3	2
<b>[Encoding]</b>		

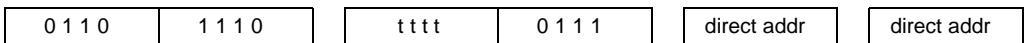


**Hex Code in:** Binary Mode = [A5][Encoding]  
 Source Mode = [Encoding]

**Operation:** XRL  
 $(Rm) \leftarrow (Rm) \vee (\text{dir}16)$

**\XRL WRj,dir16**

	Binary Mode	Source Mode
<b>Bytes:</b>	5	4
<b>States:</b>	4	3
<b>[Encoding]</b>		

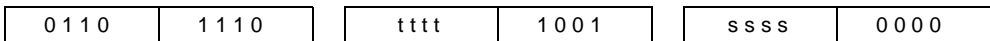


**Hex Code in:** Binary Mode = [A5][Encoding]  
 Source Mode = [Encoding]

**Operation:** XRL  
 $(WRj) \leftarrow (WRj) \vee (\text{dir}16)$

**XRL Rm,@Wrj**

	Binary Mode	Source Mode
<b>Bytes:</b>	4	3
<b>States:</b>	3	2
<b>[Encoding]</b>		



**Hex Code in:** Binary Mode = [A5][Encoding]  
 Source Mode = [Encoding]

**Operation:** XRL  
 $(Rm) \leftarrow (Rm) \vee ((WRj))$

XRL Rm,@Drk

	Binary Mode	Source Mode
Bytes:	4	3
States:	4	3
[Encoding]		

0 1 1 0	1 1 1 0	u u u u	1 0 1 1	s s s s	0 0 0 0
---------	---------	---------	---------	---------	---------

Hex Code In: Binary Mode = [A5][Encoding]  
 Source Mode = [Encoding]

Operation: XRL  
 (Rm) ← (Rm) ∨ ((DRk))





**B**

## **Signal Descriptions**







# APPENDIX B

## SIGNAL DESCRIPTIONS

This appendix provides reference information for the external signals of the 8XC251Sx. pin assignments are shown in Figures B-1 (PLCC package) and B-2 (DIP package) and are listed by functional category in Table B-1.

Table B-2 describes each of the signals. It lists the signal type (input, output, power, or ground) and the alternative functions of multifunction pins. Table B-3 shows how configuration bits RD1:0 (referred to in Table B-2) configure the A17, A16, RD#, WR# and PSEN# pins for external memory accesses.

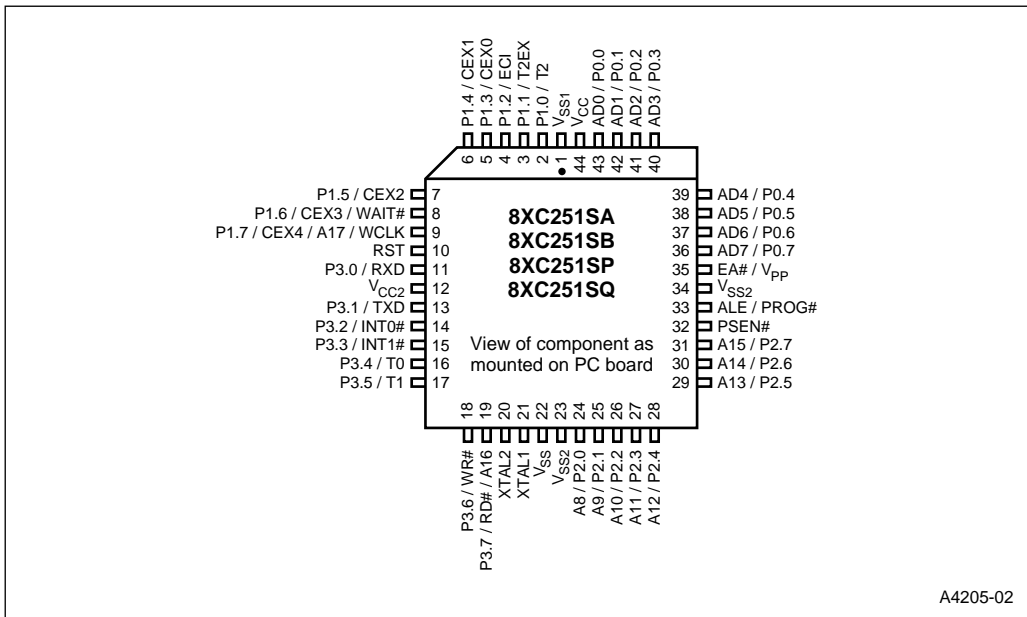


Figure B-1. 8XC251SA, SB, SP, SQ 44-pin PLCC Package

Table B-1. PLCC/DIP Pin Assignments Listed by Functional Category

Address & Data			Input/Output		
Name	PLCC	DIP	Name	PLCC	DIP
AD0/P0.0	43	39	P1.0/T2	2	1
AD1/P0.1	42	38	P1.1/T2EX	3	2
AD2/P0.2	41	37	P1.2/ECI	4	3
AD3/P0.3	40	36	P1.3/CEX0	5	4
AD4/P0.4	39	35	P1.4/CEX1	6	5
AD5/P0.5	38	34	P1.5/CEX2	7	6
AD6/P0.6	37	33	P1.6/CEX3/WAIT#	8	7
AD7/P0.7	36	32	P1.7/CEX4/A17WCLK	9	8
A8/P2.0	24	21	P3.0/RXD	11	10
A9/P2.1	25	22	P3.1/TXD	13	11
A10/P2.2	26	23	P3.4/T0	16	14
A11/P2.3	27	24	P3.5/T1	17	15
A12/P2.4	28	25			
A13/P2.5	29	26			
A14/P2.6	30	27			
A15/P2.7	31	28			
P3.7/RD#/A16	19	17			
P1.7/CEX4/A17/WCLK	9	8			

Processor Control			Power & Ground		
Name	PLCC	DIP	Name	PLCC	DIP
P3.2/INT0#	14	12	V <sub>CC</sub>	44	40
P3.3/INT1#	15	13	V <sub>CC2</sub>	12	
EA#/V <sub>PP</sub>	35	31	V <sub>SS</sub>	22	20
RST	10	9	V <sub>SS1</sub>	1	
XTAL1	21	18	V <sub>SS2</sub>	23, 34	
XTAL2	20	19	EA#/V <sub>PP</sub>	35	31

Bus Control & Status		
Name	PLCC	DIP
P3.6/WR#	18	16
P3.7/RD#/A16	19	17
ALE/PROG#	33	30
PSEN#	32	29

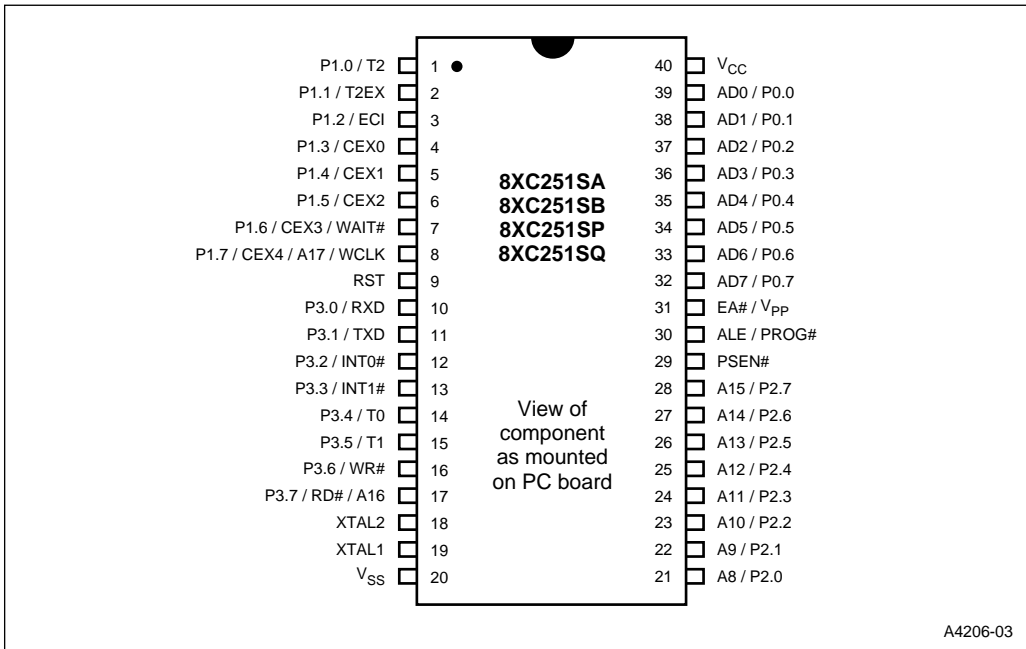


Figure B-2. 8XC251SA, SB, SP, SQ 40-pin PDIP and Ceramic DIP Packages

Table B-2. Signal Descriptions

Signal Name	Type	Description	Alternate Function
A17	O	<b>Address Line A17.</b> Eighteenth external address bit (A17) in extended bus applications. Selected by configuration byte UCONFIG0, bits RD1:0 (Table B-3). Also see RD# and PSEN#.	P1.7/CEX4/ WCLK
A16	O	<b>Address Line A16.</b> Seventeenth external address bit (A16) in extended bus applications. Selected by configuration byte UCONFIG0, bits RD1:0 (Table B-3). Also see RD#.	P3.7/RD#
A15:8 <sup>†</sup>	O	<b>Address Lines.</b> Upper address lines for the external bus.	P2.7:0
AD7:0 <sup>†</sup>	I/O	<b>Address/Data Lines.</b> Multiplexed lower address lines and data lines for external memory.	P0.7:0
ALE	O	<b>Address Latch Enable.</b> ALE signals the start of an external bus cycle and indicates that valid address information is available on lines A15:8 and AD7:0. An external latch can use ALE to demultiplex the address from the address/data bus.	PROG#

<sup>†</sup> The descriptions of A15:8/P2.7:0 and AD7:0/P0.7:0 are for the nonpage mode chip configuration (compatible with 44-pin PLCC and 40-pin DIP MCS<sup>®</sup> 51 microcontrollers). If the chip is configured for page mode operation, port 0 carries the lower address bits (A7:0), and port 2 carries the upper address bits (A15:8) and the data (D7:0).

Table B-2. Signal Descriptions (Continued)

Signal Name	Type	Description	Alternate Function
CEX2:0 CEX3 CEX4	I/O	<b>Programmable Counter Array (PCA) Input/Output Pins.</b> These are input signals for the PCA capture mode and output signals for the PCA compare mode and PCA PWM mode.	P1.5:3 P1.6/WAIT# P1.7/A17/WCLK
EA#	I	<b>External Access.</b> Directs program memory accesses to on-chip or off-chip code memory. For EA# = 0, all program memory accesses are off-chip. For EA# = 1, an access is to on-chip program memory if the address is within the range of the on-chip program memory; otherwise the access is off-chip. The value of EA# is latched at reset. For devices without on-chip program memory, EA# must be strapped to ground.	V <sub>PP</sub>
ECI	I	<b>PCA External Clock Input.</b> External clock input to the 16-bit PCA timer.	P1.2
INT1:0#	I	<b>External Interrupts 0 and 1.</b> These inputs set bits IE1:0 in the TCON register. If bits IT1:0 in the TCON register are set, bits IE1:0 are set by a falling edge on INT1#/INT0#. If bits INT1:0 are clear, bits IE1:0 are set by a low level on INT1:0#.	P3.3:2
P0.7:0	I/O	<b>Port 0.</b> This is an 8-bit, open-drain, bidirectional I/O port.	AD7:0
P1.0 P1.1 P1.2 P1.5:3 P1.6 P1.7	I/O	<b>Port 1.</b> This is an 8-bit, bidirectional I/O port with internal pullups.	T2 T2EX ECI CEX2:0 CEX3/WAIT# CEX4/A17/WCLK
P2.7:0	I/O	<b>Port 2.</b> This is an 8-bit, bidirectional I/O port with internal pullups.	A15:8
P3.0 P3.1 P3.3:2 P3.5:4 P3.6 P3.7	I/O	<b>Port 3.</b> This is an 8-bit, bidirectional I/O port with internal pullups.	RXD TXD INT1:0# T1:0 WR# RD#/A16
PROG#	I	<b>Programming Pulse.</b> The programming pulse is applied to this pin for programming the on-chip nonvolatile memory.	ALE
PSEN#	O	<b>Program Store Enable.</b> Read signal output to external memory. Asserted for the address range specified by configuration byte UCONFIG0, bits RD1:0 (Table B-3). Also see RD#.	—
RD#	O	<b>Read.</b> Read signal output to external data memory. Asserted for the address range specified by configuration byte UCONFIG0, bits RD1:0 (Table B-3). Also see PSEN# and A16.	P3.7/A16

<sup>†</sup> The descriptions of A15:8/P2.7:0 and AD7:0/P0.7:0 are for the nonpage mode chip configuration (compatible with 44-pin PLCC and 40-pin DIP MCS<sup>®</sup> 51 microcontrollers). If the chip is configured for page mode operation, port 0 carries the lower address bits (A7:0), and port 2 carries the upper address bits (A15:8) and the data (D7:0).

**Table B-2. Signal Descriptions (Continued)**

Signal Name	Type	Description	Alternate Function
RST	I	<b>Reset.</b> Reset input to the chip. Holding this pin high for 64 oscillator periods while the oscillator is running resets the device. The port pins are driven to their reset conditions when a voltage greater than $V_{IH1}$ is applied, whether or not the oscillator is running. This signal has a Schmitt trigger input. Connecting the RST pin to $V_{CC}$ through a capacitor provides power-on reset.  Asserting RST when the chip is in idle mode or powerdown mode returns the chip to normal operation.	—
RXD	I/O	<b>Receive Serial Data.</b> RXD sends and receives data in serial I/O mode 0 and receives data in serial I/O modes 1, 2, and 3.	P3.0
T1:0	I	<b>Timer 1:0 External Clock Inputs.</b> When timer 1:0 operates as a counter, a falling edge on the T1:0 pin increments the count.	P3.5:4
T2	I/O	<b>Timer 2 Clock Input/Output.</b> For the timer 2 capture mode, this signal is the external clock input. For the clock-out mode, it is the timer 2 clock output.	P1.0
T2EX	I	<b>Timer 2 External Input.</b> In timer 2 capture mode, a falling edge initiates a capture of the timer 2 registers. In auto-reload mode, a falling edge causes the timer 2 registers to be reloaded. In the up-down counter mode, this signal determines the count direction: 1 = up, 0 = down.	P1.1
TXD	O	<b>Transmit Serial Data.</b> TXD outputs the shift clock in serial I/O mode 0 and transmits serial data in serial I/O modes 1, 2, and 3.	P3.1
$V_{CC}$	PWR	<b>Supply Voltage.</b> Connect this pin to the +5V supply voltage.	—
$V_{CC2}$	PWR	<b>Secondary Supply Voltage 2.</b> This supply voltage connection is provided to reduce power supply noise. Connection of this pin to the +5V supply voltage is recommended. However, when using the 8XC251SB as a pin-for-pin replacement for the 8XC51FX, $V_{SS2}$ can be unconnected without loss of compatibility. (Not available on DIP.)	—
$V_{PP}$	I	<b>Programming Supply Voltage.</b> The programming supply voltage is applied to this pin for programming on-chip nonvolatile memory.	EA#
$V_{SS}$	GND	<b>Circuit Ground.</b> Connect this pin to ground.	—
$V_{SS1}$	GND	<b>Secondary Ground.</b> This ground is provided to reduce ground bounce and improve power supply bypassing. Connection of this pin to ground is recommended. However, when using the 8XC251SA, SB, SP, SQ as a pin-for-pin replacement for the 8XC51BH, $V_{SS1}$ can be unconnected without loss of compatibility. (Not available on DIP.)	—

<sup>†</sup> The descriptions of A15:8/P2.7:0 and AD7:0/P0.7:0 are for the nonpage mode chip configuration (compatible with 44-pin PLCC and 40-pin DIP MCS<sup>®</sup> 51 microcontrollers). If the chip is configured for page mode operation, port 0 carries the lower address bits (A7:0), and port 2 carries the upper address bits (A15:8) and the data (D7:0).

Table B-2. Signal Descriptions (Continued)

Signal Name	Type	Description	Alternate Function
V <sub>ss2</sub>	GND	<b>Secondary Ground 2.</b> This ground is provided to reduce ground bounce and improve power supply bypassing. Connection of this pin to ground is recommended. However, when using the 8XC251SB as a pin-for-pin replacement for the 8XC51FX, V <sub>ss2</sub> can be unconnected without loss of compatibility. (Not available on DIP.)	—
WAIT#	I	<b>Real-time Wait State Input.</b> The real-time WAIT# input is enabled by writing a logical '1' to the WCON.0 (RTWE) bit at S:A7H. During bus cycles, the external memory system can signal 'system ready' to the microcontroller in real time by controlling the WAIT# input signal on the port 1.6 input.	P1.6/CEX3
WCLK	O	<b>Wait Clock Output.</b> The real-time WCLK output is driven at port 1.7 (WCLK) by writing a logical '1' to the WCON.1 (RTWCE) bit at S:A7H. When enabled, the WCLK output produces a square wave signal with a period of one-half the oscillator frequency.	P1.7/CEX4/A17
WR#	O	<b>Write.</b> Write signal output to external memory. Asserted for the memory address range specified by configuration byte UCONFIG0, bits RD1:0 (Table B-3). Also see RD#.	P3.6
XTAL1	I	<b>Input to the On-chip, Inverting, Oscillator Amplifier.</b> To use the internal oscillator, a crystal/resonator circuit is connected to this pin. If an external oscillator is used, its output is connected to this pin. XTAL1 is the clock source for internal timing.	—
XTAL2	O	<b>Output of the On-chip, Inverting, Oscillator Amplifier.</b> To use the internal oscillator, a crystal/resonator circuit is connected to this pin. If an external oscillator is used, leave XTAL2 unconnected.	—

<sup>†</sup> The descriptions of A15:8/P2.7:0 and AD7:0/P0.7:0 are for the nonpage mode chip configuration (compatible with 44-pin PLCC and 40-pin DIP MCS<sup>®</sup> 51 microcontrollers). If the chip is configured for page mode operation, port 0 carries the lower address bits (A7:0), and port 2 carries the upper address bits (A15:8) and the data (D7:0).

**Table B-3. Memory Signal Selections (RD1:0)**

RD1:0	P1.7/CEX/ A17/WCLK	P3.7/RD#/A16/	PSEN#	WR#	Features
0 0	A17	A16	Asserted for all addresses	Asserted for writes to all memory locations	256-Kbyte external memory
0 1	P1.7/CEX4/ WCLK	A16	Asserted for all addresses	Asserted for writes to all memory locations	128-Kbyte external memory
1 0	P1.7/CEX4/ WCLK	P3.7 only	Asserted for all addresses	Asserted for writes to all memory locations	64-Kbyte external memory. One additional port pin.
1 1	P1.7/CEX4/ WCLK	RD# asserted for addresses $\leq 7F:FFFFH$	Asserted for $\geq 80:0000H$	Asserted only for writes to MCS <sup>®</sup> 51 microcontroller data memory locations.	64-Kbyte external memory. Compatible with MCS 51 micro-controllers.

**NOTE:** RD1:0 are bits 3:2 of configuration byte UCONFIG0 (See Figure 4-3 on page 4-6).





intel®

C

# Registers





## APPENDIX C REGISTERS

This appendix is a reference source of information for the 8XC251Sx special function registers (SFRs) and the register file. The SFR map in Table C-1 provides the address and reset value for each SFR. Tables C-2 through C-6 list the SFRs by functional category. Table C-7 lists the registers that make up the register file.

The remainder of the appendix contains descriptions of the SFRs arranged in alphabetical order.

For additional information see section 3.3, “8XC251SA, SB, SP, SQ Register File,” and section 3.4, “Special Function Registers (SFRs).”

### NOTE

Use the prefix “S:” with SFR addresses to distinguish them from other addresses.

Table C-1. 8XC251SA, SB, SP, SQ SFR Map

	0/8	1/9	2/A	3/B	4/C	5/D	6/E	7/F	
F8		CH 00000000	CCAP0H xxxxxxx	CCAP1H xxxxxxx	CCAP2H xxxxxxx	CCAP3H xxxxxxx	CCAP4H xxxxxxx		FF
F0	B 00000000								F7
E8		CL 00000000	CCAP0L xxxxxxx	CCAP1L xxxxxxx	CCAP2L xxxxxxx	CCAP3L xxxxxxx	CCAP4L xxxxxxx		EF
E0	ACC 00000000								E7
D8	CCON 00x00000	CMOD 00xxx000	CCAPM0 x0000000	CCAPM1 x0000000	CCAPM2 x0000000	CCAPM3 x0000000	CCAPM4 x0000000		DF
D0	PSW 00000000	PSW1 00000000							D7
C8	T2CON 00000000	T2MOD xxxxxx00	RCAP2L 00000000	RCAP2H 00000000	TL2 00000000	TH2 00000000			CF
C0									C7
B8	IPL0 x0000000	SADEN 00000000					SPH 00000000		BF
B0	P3 11111111							IPH0 x0000000	B7
A8	IE0 00000000	SADDR 00000000							AF
A0	P2 11111111						WDTRST xxxxxxx	WCON xxxxxx00	A7
98	SCON 00000000	SBUF xxxxxxx							9F
90	P1 11111111								97
88	TCON 00000000	TMOD 00000000	TL0 00000000	TL1 00000000	TH0 00000000	TH1 00000000			8F
80	P0 11111111	SP 00000111	DPL 00000000	DPH 00000000	DPXL 00000001			PCON 00xx0000	87
	0/8	1/9	2/A	3/B	4/C	5/D	6/E	7/F	

**NOTE:** Shaded areas represent unimplemented SFR locations. Locations S:000H–S:07FH and S:100H–S:1FFH are also unimplemented.

**Table C-2. Core SFRs**

<b>Mnemonic</b>	<b>Name</b>	<b>Address</b>
ACC <sup>†</sup>	Accumulator	S:E0H
B <sup>†</sup>	B Register	S:F0H
PSW	Program Status Word	S:D0H
PSW1	Program Status Word 1	S:D1H
SP <sup>†</sup>	Stack Pointer – LSB of SPX	S:81H
SPH <sup>†</sup>	Stack Pointer High – MSB of SPX	S:BEH
DPTR <sup>†</sup>	Data Pointer (2 bytes)	—
DPL <sup>†</sup>	Low Byte of DPTR	S:82H
DPH <sup>†</sup>	High Byte of DPTR	S:83H
DPXL <sup>†</sup>	Data Pointer, Extended Low	S:84H
PCON	Power Control	S:87H
IE0	Interrupt Enable Control 0	S:A8H
IPH0	Interrupt Priority Control High 0	S:B7H
IPL0	Interrupt Priority Control Low 0	S:B8H
WCON	Wait State Control Register	S:A7H

<sup>†</sup> These SFRs can also be accessed by their corresponding registers in the register file (see Table 3-4 on page 3-15 and Table C-7).

**Table C-3. I/O Port SFRs**

<b>Mnemonic</b>	<b>Name</b>	<b>Address</b>
P0	Port 0	S:80H
P1	Port 1	S:90H
P2	Port 2	S:A0H
P3	Port 3	S:B0H

Table C-4. Serial I/O SFRs

Mnemonic	Name	Address
SCON	Serial Control	S:98H
SBUF	Serial Data Buffer	S:99H
SADEN	Slave Address Mask	S:B9H
SADDR	Slave Address	S:A9H

Table C-5. Timer/Counter and Watchdog Timer SFRs

Mnemonic	Name	Address
TL0	Timer/Counter 0 Low Byte	S:8AH
TH0	Timer/Counter 0 High Byte	S:8CH
TL1	Timer/Counter 1 Low Byte	S:8BH
TH1	Timer/Counter 1 High Byte	S:8DH
TL2	Timer/Counter 2 Low Byte	S:CCH
TH2	Timer/Counter 2 High Byte	S:CDH
TCON	Timer/Counter 0 and 1 Control	S:88H
TMOD	Timer/Counter 0 and 1 Mode Control	S:89H
T2CON	Timer/Counter 2 Control	S:C8H
T2MOD	Timer/Counter 2 Mode Control	S:C9H
RCAP2L	Timer 2 Reload/Capture Low Byte	S:CAH
RCAP2H	Timer 2 Reload/Capture High Byte	S:CBH
WDTRST	WatchDog Timer Reset	S:A6H

**Table C-6. Programmable Counter Array (PCA) SFRs**

<b>Mnemonic</b>	<b>Name</b>	<b>Address</b>
CCON	PCA Timer/Counter Control	S:D8H
CMOD	PCA Timer/Counter Mode	S:D9H
CCAPM0	PCA Timer/Counter Mode 0	S:DAH
CCAPM1	PCA Timer/Counter Mode 1	S:DBH
CCAPM2	PCA Timer/Counter Mode 2	S:DCH
CCAPM3	PCA Timer/Counter Mode 3	S:DDH
CCAPM4	PCA Timer/Counter Mode 4	S:DEH
CL	PCA Timer/Counter Low Byte	S:E9H
CH	PCA Timer/Counter High Byte	S:F9H
CCAP0L	PCA Compare/Capture Module 0 Low Byte	S:EAH
CCAP1L	PCA Compare/Capture Module 1 Low Byte	S:EBH
CCAP2L	PCA Compare/Capture Module 2 Low Byte	S:ECH
CCAP3L	PCA Compare/Capture Module 3 Low Byte	S:EDH
CCAP4L	PCA Compare/Capture Module 4 Low Byte	S:EEH
CCAP0H	PCA Compare/Capture Module 0 High Byte	S:FAH
CCAP1H	PCA Compare/Capture Module 1 High Byte	S:FBH
CCAP2H	PCA Compare/Capture Module 2 High Byte	S:FCH
CCAP3H	PCA Compare/Capture Module 3 High Byte	S:FDH
CCAP4H	PCA Compare/Capture Module 4 High Byte	S:FEH

Table C-7. Register File

Mnemonic		Address
R0 – R7	Four banks of 8 registers. Select bank 0-3 with bits RS1:0 of PSW.	1, 2
R8 – R31	R11 = Accumulator (ACC) R10 = B Register.	1, 3
R32 – R55	Reserved	3
R56 – R63	DR56 = the extended data pointer (DPXL, DPH, DPL). DR60 = the extended stack pointer (SPH, SPL).	1, 3

**NOTE:**

1. The registers in the register file are normally accessed by mnemonic. Depending on its location, a register can be addressed as a byte, word, and/or dword. See Figure 3-7 on page 3-12.
2. The four banks of registers are implemented as the lowest bytes of on-chip RAM and are always accessible via addresses 00:0000H–00:001FH.
3. Special function registers ACC, B, DPXL, DPH, DPL, SPH, and SPL are located in the register file and can be accessed as R11, R10, DR56, and DR60).



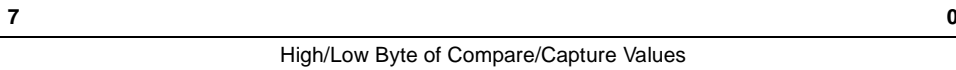
<b>ACC</b>	Address:	E0H						
	Reset State:	0000 0000B						
<p>Accumulator. ACC provides SFR access to the accumulator, which resides in the register file as byte register R11 (also named ACC). Instructions in the MCS<sup>®</sup> 51 architecture use the accumulator as both source and destination for calculations and moves. Instructions in the MCS 251 architecture assign no special significance to R11. These instructions can use byte registers Rm (m = 0–15) interchangeably.</p>								
<b>7</b>		<b>0</b>						
Accumulator Contents								
<table border="1" style="width: 100%; border-collapse: collapse;"> <thead> <tr> <th style="width: 15%;">Bit Number</th> <th style="width: 15%;">Bit Mnemonic</th> <th style="width: 70%;">Function</th> </tr> </thead> <tbody> <tr> <td>7:0</td> <td>ACC.7:0</td> <td>Accumulator.</td> </tr> </tbody> </table>			Bit Number	Bit Mnemonic	Function	7:0	ACC.7:0	Accumulator.
Bit Number	Bit Mnemonic	Function						
7:0	ACC.7:0	Accumulator.						

<b>B</b>	Address:	F0H						
	Reset State:	0000 0000B						
<p>B Register. The B register provides SFR access to byte register R10 (also named B) in the register file. The B register is used as both a source and destination in multiply and divide operations. For all other operations, the B register is available for use as one of the byte registers Rm, m = 0–15.</p>								
<b>7</b>		<b>0</b>						
B Register Contents								
<table border="1" style="width: 100%; border-collapse: collapse;"> <thead> <tr> <th style="width: 15%;">Bit Number</th> <th style="width: 15%;">Bit Mnemonic</th> <th style="width: 70%;">Function</th> </tr> </thead> <tbody> <tr> <td>7:0</td> <td>B.7:0</td> <td>B Register.</td> </tr> </tbody> </table>			Bit Number	Bit Mnemonic	Function	7:0	B.7:0	B Register.
Bit Number	Bit Mnemonic	Function						
7:0	B.7:0	B Register.						

**CCAPxH, CCAPxL (x = 0–4)**

Address: CCAP0H,L S:FAH, S:EAH  
 CCAP1H,L S:FBH, S:EBH  
 CCAP2H,L S:FCH, S:ECH  
 CCAP3H,L S:FDH, S:EDH  
 CCAP4H,L S:FEH, S:EEH  
 Reset State: XXXX XXXXB

PCA Module Compare/Capture Registers. These five register pairs store the 16-bit comparison value or captured value for the corresponding compare/capture modules. In the PWM mode, the low-byte register controls the duty cycle of the output waveform.



Bit Number	Bit Mnemonic	Function
7:0	CCAPxH.7:0	High byte of PCA comparison or capture values.
	CCAPxL.7:0	Low byte of PCA comparison or capture values.

**CCAPM $x$  ( $x = 0-4$ )**

 Address: CCAPM0 S:DAH  
 CCAPM1 S:DBH  
 CCAPM2 S:DCH  
 CCAPM3 S:DDH  
 CCAPM4 S:DEH

Reset State: X000 0000B

PCA Compare/Capture Module Mode Registers. These five registers select the operating mode of the corresponding compare/capture module. Each register also contains an enable interrupt bit (ECCF $x$ ) for generating an interrupt request when the module's compare/capture flag (CCF $x$  in the CCON register) is set. See Table 9-3 on page 9-14 for mode select bit combinations.

**7**
**0**

—	ECOM $x$	CAPP $x$	CAPN $x$	MAT $x$	TOG $x$	PWM $x$	ECCF $x$
---	----------	----------	----------	---------	---------	---------	----------

Bit Number	Bit Mnemonic	Function
7	—	Reserved: The value read from this bit is indeterminate. Write a zero to this bit.
6	ECOM $x$	Compare Modes: ECOM $x$ = 1 enables the module comparator function. The comparator is used to implement the software timer, high-speed output, pulse width modulation, and watchdog timer modes.
5	CAPP $x$	Capture Mode (Positive): CAPP $x$ = 1 enables the capture function with capture triggered by a positive edge on pin CEX $x$ .
4	CAPN $x$	Capture Mode (Negative): CAPN $x$ = 1 enables the capture function with capture triggered by a negative edge on pin CEX $x$ .
3	MAT $x$	Match: Set ECOM $x$ and MAT $x$ to implement the software timer mode. When MAT $x$ = 1, a match of the PCA timer/counter with the compare/capture register sets the CCF $x$ bit in the CCON register, flagging an interrupt.
2	TOG $x$	Toggle: Set ECOM $x$ , MAT $x$ , and TOG $x$ to implement the high-speed output mode. When TOG $x$ = 1, a match of the PCA timer/counter with the compare/capture register toggles the CEX $x$ pin.
1	PWM $x$	Pulse Width Modulation Mode: PWM $x$ = 1 configures the module for operation as an 8-bit pulse width modulator with output waveform on the CEX $x$ pin.
0	ECCF $x$	Enable CCF $x$ Interrupt: Enables compare/capture flag CCF $x$ in the CCON register to generate an interrupt request.

**CCON** Address: S:D8H  
Reset State: 00X0 0000B

PCA Timer/Counter Control Register. Contains the run control bit and overflow flag for the PCA timer/counter, and the compare/capture flags for the five PCA compare/capture modules.

7 0

CF	CR	—	CCF4	CCF3	CCF2	CCF1	CCF0
----	----	---	------	------	------	------	------

Bit Number	Bit Mnemonic	Function
7	CF	PCA Timer/Counter Overflow Flag: Set by hardware when the PCA timer/counter rolls over. This generates an interrupt request if the ECF interrupt enable bit in CMOD is set. CF can be set by hardware or software but can be cleared only by software.
6	CR	PCA Timer/Counter Run Control Bit: Set and cleared by software to turn the PCA timer/counter on and off.
5	—	Reserved: The value read from this bit is indeterminate. Write a zero to this bit.
4:0	CCF4:0	PCA Module Compare/Capture Flags: Set by hardware when a match or capture occurs. This generates a PCA interrupt request if the ECCFx interrupt enable bit in the corresponding CCAPMx register is set. Must be cleared by software.

**CH, CL** Address: S:F9H  
S:E9H  
Reset State: 0000 0000B

CH, CL Registers. These registers operate in cascade to form the 16-bit PCA timer/counter.

7 0

High/Low Byte PCA Timer/Counter	
---------------------------------	--

Bit Number	Bit Mnemonic	Function
7:0	CH.7:0 CL.7:0	High byte of the PCA timer/counter Low byte of the PCA timer/counter

**CMOD**

 Address: S:D9H  
 Reset State: 00XX X000B

PCA Timer/Counter Mode Register. Contains bits for selecting the PCA timer/counter input, disabling the PCA timer/counter during idle mode, enabling the PCA WDT reset output (module 4 only), and enabling the PCA timer/counter overflow interrupt.



Bit Number	Bit Mnemonic	Function												
7	CIDL	PCA Timer/Counter Idle Control: CIDL = 1 disables the PCA timer/counter during idle mode. CIDL = 0 allows the PCA timer/counter to run during idle mode.												
6	WDTE	Watchdog Timer Enable: WDTE = 1 enables the watchdog timer output on PCA module 4. WDTE = 0 disables the PCA watchdog timer output.												
5:3	—	Reserved: The values read from these bits are indeterminate. Write zeros to these bits.												
2:1	CPS1:0	PCA Timer/Counter Input Select: <b>CPS1 CPS0</b> <table style="margin-left: 20px; border: none;"> <tr> <td>0</td> <td>0</td> <td><math>F_{OSC} / 12</math></td> </tr> <tr> <td>0</td> <td>1</td> <td><math>F_{OSC} / 4</math></td> </tr> <tr> <td>1</td> <td>0</td> <td>Timer 0 overflow</td> </tr> <tr> <td>1</td> <td>1</td> <td>External clock at ECI pin (maximum rate = <math>F_{OSC} / 8</math>)</td> </tr> </table>	0	0	$F_{OSC} / 12$	0	1	$F_{OSC} / 4$	1	0	Timer 0 overflow	1	1	External clock at ECI pin (maximum rate = $F_{OSC} / 8$ )
0	0	$F_{OSC} / 12$												
0	1	$F_{OSC} / 4$												
1	0	Timer 0 overflow												
1	1	External clock at ECI pin (maximum rate = $F_{OSC} / 8$ )												
0	ECF	PCA Timer/Counter Interrupt Enable: ECF = 1 enables the CF bit in the CCON register to generate an interrupt request.												



**DPH** Address: S:83H  
Reset State: 0000 0000B

Data Pointer High. DPH provides SFR access to register file location 58 (also named DPH). DPH is the upper byte of the 16-bit data pointer, DPTR. Instructions in the MCS<sup>®</sup> 51 architecture use DPTR for data moves, code moves, and for a jump instruction (JMP @A+DPTR). See also DPL and DPXL.

7 0

DPH Contents

Bit Number	Bit Mnemonic	Function
7:0	DPH.7:0	Data Pointer High: Bits 8–15 of the extended data pointer, DPX (DR56).

**DPL** Address: S:82H  
Reset State: 0000 0000B

Data Pointer Low. DPL provides SFR access to register file location 59 (also named DPL). DPL is the low byte of the 16-bit data pointer, DPTR. Instructions in the MCS<sup>®</sup> 51 architecture use the 16-bit data pointer for data moves, code moves, and for a jump instruction (JMP @A+DPTR). See also DPH and DPXL.

7 0

DPL Contents

Bit Number	Bit Mnemonic	Function
7:0	DPL.7:0	Data Pointer Low: Bits 0–7 of the extended data pointer, DPX (DR56).

**DPXL**

Address: S:84H  
 Reset State: 0000 0001B

Data Pointer Extended Low. DPXL provides SFR access to register file location 57 (also named DPXL). Location 57 is the lower byte of the upper word of the extended data pointer, DPX = DR56, whose lower word is the 16-bit data pointer, DPTR. See also DPH and DPL.

7 0

DPXL Contents

Bit Number	Bit Mnemonic	Function
7:0	DPXL.7:0	Data Pointer Extended Low: Bits 16–23 of the extended data pointer, DPX (DR56).

**IE0**

Address: S:A8H  
 Reset State: 0000 0000B

Interrupt Enable Register 0. IE0 contains two types of interrupt enable bits. The global enable bit (EA) enables/disables all of the interrupts, except the TRAP interrupt, which is always enabled. The remaining bits enable/disable the other individual interrupts.

7

0

EA	EC	ET2	ES	ET1	EX1	ET0	EX0
----	----	-----	----	-----	-----	-----	-----

Bit Number	Bit Mnemonic	Function
7	EA	Global Interrupt Enable: Setting this bit enables all interrupts that are individually enabled by bits 0–6. Clearing this bit disables all interrupts, except the TRAP interrupt, which is always enabled.
6	EC	PCA Interrupt Enable: Setting this bit enables the PCA interrupt.
5	ET2	Timer 2 Overflow Interrupt Enable: Setting this bit enables the timer 2 overflow interrupt.
4	ES	Serial I/O Port Interrupt Enable: Setting this bit enables the serial I/O port interrupt.
3	ET1	Timer 1 Overflow Interrupt Enable: Setting this bit enables the timer 1 overflow interrupt.
2	EX1	External Interrupt 1 Enable: Setting this bit enables external interrupt 1.
1	ET0	Timer 0 Overflow Interrupt Enable: Setting this bit enables the timer 0 overflow interrupt.
0	EX0	External Interrupt 0 Enable: Setting this bit enables external interrupt 0.



**IPH0**

Address: S:B7H  
Reset State: X000 0000B

Interrupt Priority High Control Register 0. IPH0, together with IPL0, assigns each interrupt a priority level from 0 (lowest) to 3 (highest):

IPH0.x	IPL0.x	Priority Level
0	0	0 (lowest priority)
0	1	1
1	0	2
1	1	3 (highest priority)

7

0

—	IPH0.6	IPH0.5	IPH0.4	IPH0.3	IPH0.2	IPH0.1	IPH0.0
---	--------	--------	--------	--------	--------	--------	--------

Bit Number	Bit Mnemonic	Function
7	—	Reserved. The value read from this bit is indeterminate. Write a zero to this bit.
6	IPH0.6	PCA Interrupt Priority Bit High
5	IPH0.5	Timer 2 Overflow Interrupt Priority Bit High
4	IPH0.4	Serial I/O Port Interrupt Priority Bit High
3	IPH0.3	Timer 1 Overflow Interrupt Priority Bit High
2	IPH0.2	External Interrupt 1 Priority Bit High
1	IPH0.1	Timer 0 Overflow Interrupt Priority Bit High
0	IPH0.0	External Interrupt 0 Priority Bit High

**IPL0**

Address: S:B8H  
 Reset State: X000 0000B

Interrupt Priority Low Control Register 0. IPL0, together with IPH0, assigns each interrupt a priority level from 0 (lowest) to 3 (highest):

IPH0.x	IPL0.x	Priority Level
0	0	0 (lowest priority)
0	1	1
1	0	2
1	1	3 (highest priority)

7

0

—	IPL0.6	IPL0.5	IPL0.4	IPL0.3	IPL0.2	IPL0.1	IPL0.0
---	--------	--------	--------	--------	--------	--------	--------

Bit Number	Bit Mnemonic	Function
7	—	Reserved. The value read from this bit is indeterminate. Write a zero to this bit.
6	IPL0.6	PCA Interrupt Priority Bit Low
5	IPL0.5	Timer 2 Overflow Interrupt Priority Bit Low
4	IPL0.4	Serial I/O Port Interrupt Priority Bit Low
3	IPL0.3	Timer 1 Overflow Interrupt Priority Bit Low
2	IPL0.2	External Interrupt 1 Priority Bit Low
1	IPL0.1	Timer 0 Overflow Interrupt Priority Bit Low
0	IPL0.0	External Interrupt 0 Priority Bit Low

<b>P0</b>	Address: S:80H	
	Reset State: 1111 1111B	
<p>Port 0. P0 is the SFR that contains data to be driven out from the port 0 pins. Read-modify-write instructions that read port 0 read this register. The other instructions that read port 0 read the port 0 pins. When port 0 is used for an external bus cycle, the CPU always writes FFH to P0, and the former contents of P0 are lost.</p>		
<b>7</b>		<b>0</b>
P0 Contents		
<b>Bit Number</b>	<b>Bit Mnemonic</b>	<b>Function</b>
7:0	P0.7:0	Port 0 Register: Write data to be driven onto the port 0 pins to these bits.

<b>P1</b>	Address: S:90H	
	Reset State: 1111 1111B	
<p>Port 1. P1 is the SFR that contains data to be driven out from the port 1 pins. Read-write-modify instructions that read port 1 read this register. Other instructions that read port 1 read the port 1 pins.</p>		
<b>7</b>		<b>0</b>
P1 Contents		
<b>Bit Number</b>	<b>Bit Mnemonic</b>	<b>Function</b>
7:0	P1.7:0	Port 1 Register: Write data to be driven onto the port 1 pins to these bits.

<b>P2</b>	Address: S:A0H Reset State: 1111 1111B							
<p>Port 2. P2 is the SFR that contains data to be driven out from the port 2 pins. Read-modify-write instructions that read port 2 read this register. Other instructions that read port 2 read the port 2 pins.</p>								
7		0						
P2 Contents								
<table border="1" style="width: 100%; border-collapse: collapse;"> <thead> <tr> <th style="width: 15%;">Bit Number</th> <th style="width: 15%;">Bit Mnemonic</th> <th style="width: 70%;">Function</th> </tr> </thead> <tbody> <tr> <td>7:0</td> <td>P2.7:0</td> <td>Port 2 Register: Write data to be driven onto the port 2 pins to these bits.</td> </tr> </tbody> </table>			Bit Number	Bit Mnemonic	Function	7:0	P2.7:0	Port 2 Register: Write data to be driven onto the port 2 pins to these bits.
Bit Number	Bit Mnemonic	Function						
7:0	P2.7:0	Port 2 Register: Write data to be driven onto the port 2 pins to these bits.						

<b>P3</b>	Address: S:B0H Reset State: 1111 1111B							
<p>Port 3. P3 is the SFR that contains data to be driven out from the port 3 pins. Read-modify-write instructions that read port 3 read this register. Other instructions that read port 3 read the port 3 pins.</p>								
7		0						
P3 Contents								
<table border="1" style="width: 100%; border-collapse: collapse;"> <thead> <tr> <th style="width: 15%;">Bit Number</th> <th style="width: 15%;">Bit Mnemonic</th> <th style="width: 70%;">Function</th> </tr> </thead> <tbody> <tr> <td>7:0</td> <td>P3.7:0</td> <td>Port 3 Register: Write data to be driven onto the port 3 pins to these bits.</td> </tr> </tbody> </table>			Bit Number	Bit Mnemonic	Function	7:0	P3.7:0	Port 3 Register: Write data to be driven onto the port 3 pins to these bits.
Bit Number	Bit Mnemonic	Function						
7:0	P3.7:0	Port 3 Register: Write data to be driven onto the port 3 pins to these bits.						

**PCON**

 Address: S:87H  
 Reset State: 00XX 0000B

Power Control Register. Contains the power off flag (POF) and bits for enabling the idle and powerdown modes. Also contains two general-purpose flags and two bits that control serial I/O functions—the double baud rate bit and a bit that selects whether accesses to SCON.7 are to the FE bit or the SM0 bit.

<b>7</b>	<b>0</b>						
SMOD1	SMOD0	—	POF	GF1	GF0	PD	IDL

Bit Number	Bit Mnemonic	Function
7	SMOD1	Double Baud Rate Bit: When set, doubles the baud rate when timer 1 is used and mode 1, 2, or 3 is selected in the SCON register. See section 10.6, “Baud Rates.”
6	SMOD0	SCON.7 Select: When set, read/write accesses to SCON.7 are to the FE bit. When clear, read/write accesses to SCON.7 are to the SM0 bit. See Figure 10-2 on page 10-3.
5	—	Reserved: The value read from this bit is indeterminate. Write a zero to this bit.
4	POF	Power Off Flag: Set by hardware as $V_{CC}$ rises above 3 V to indicate that power has been off or $V_{CC}$ had fallen below 3 V and that on-chip volatile memory is indeterminate. Set or cleared by software.
3	GF1	General Purpose Flag: Set or cleared by software. One use is to indicate whether an interrupt occurred during normal operation or during idle mode.
2	GF0	General Purpose Flag: Set or cleared by software. One use is to indicate whether an interrupt occurred during normal operation or during idle mode.
1	PD	Powerdown Mode Bit: When set, activates powerdown mode. Cleared by hardware when an interrupt or reset occurs.
0	IDL	Idle Mode Bit: When set, activates idle mode. Cleared by hardware when an interrupt or reset occurs. If IDL and PD are both set, PD takes precedence.

**PSW**

Address: S:DOH  
Reset State: 0000 0000B

Program Status Word. PSW contains bits that reflect the results of operations, bits that select the register bank for registers R0–R7, and two general-purpose flags that are available to the user.

7							0
CY	AC	F0	RS1	RS0	OV	UD	P

Bit Number	Bit Mnemonic	Function																				
7	CY	<p>Carry Flag:</p> <p>The carry flag is set by an addition instruction (ADD, ADDC) if there is a carry out of the MSB. It is set by a subtraction (SUB, SUBB) or compare (CMP) if a borrow is needed for the MSB. The carry flag is also affected by some rotate and shift instructions, logical bit instructions and bit move instructions, and the multiply (MUL) and decimal adjust (DA) instructions (see Table 5-10 on page 5-17).</p>																				
6	AC	<p>Auxiliary Carry Flag:</p> <p>The auxiliary carry flag is affected only by instructions that address 8-bit operands. The AC flag is set if an arithmetic instruction with an 8-bit operand produces a carry out of bit 3 (from addition) or a borrow into bit 3 (from subtraction). Otherwise it is cleared. This flag is useful for BCD arithmetic (see Table 5-10 on page 5-17).</p>																				
5	F0	<p>Flag 0:</p> <p>This general-purpose flag is available to the user.</p>																				
4:3	RS1:0	<p>Register Bank Select Bits 1 and 0:</p> <p>These bits select the memory locations that comprise the active bank of the register file (registers R0–R7).</p> <table style="margin-left: 20px;"> <thead> <tr> <th>RS1</th> <th>RS0</th> <th>Bank</th> <th>Address</th> </tr> </thead> <tbody> <tr> <td>0</td> <td>0</td> <td>0</td> <td>00H–07H</td> </tr> <tr> <td>0</td> <td>1</td> <td>1</td> <td>08H–0FH</td> </tr> <tr> <td>1</td> <td>0</td> <td>2</td> <td>10H–17H</td> </tr> <tr> <td>1</td> <td>1</td> <td>3</td> <td>18H–1FH</td> </tr> </tbody> </table>	RS1	RS0	Bank	Address	0	0	0	00H–07H	0	1	1	08H–0FH	1	0	2	10H–17H	1	1	3	18H–1FH
RS1	RS0	Bank	Address																			
0	0	0	00H–07H																			
0	1	1	08H–0FH																			
1	0	2	10H–17H																			
1	1	3	18H–1FH																			
2	OV	<p>Overflow Flag:</p> <p>This bit is set if an addition or subtraction of signed variables results in an overflow error (i.e., if the magnitude of the sum or difference is too great for the seven LSBs in 2's-complement representation). The overflow flag is also set if a multiplication product overflows one byte or if a division by zero is attempted.</p>																				
1	UD	<p>User-definable Flag:</p> <p>This general-purpose flag is available to the user.</p>																				
0	P	<p>Parity Bit:</p> <p>This bit indicates the parity of the accumulator. It is set if an odd number of bits in the accumulator are set. Otherwise, it is cleared. Not all instructions update the parity bit. The parity bit is set or cleared by instructions that change the contents of the accumulator (ACC, Register R11).</p>																				

<b>PSW1</b>	Address: S:D1H	0
	Reset State: 0000 0000B	
<p>Program Status Word 1. PSW1 contains bits that reflect the results of operations and bits that select the register bank for registers R0–R7.</p>		
7		0
CY	AC	N
RS1	RS0	OV
	Z	—

Bit Number	Bit Mnemonic	Function
7	CY	Carry Flag: Identical to the CY bit in the PSW register.
6	AC	Auxiliary Carry Flag: Identical to the AC bit in the PSW register.
5	N	Negative Flag: This bit is set if the result of the last logical or arithmetic operation was negative. Otherwise it is cleared.
4:3	RS1:0	Register Bank Select Bits 0 and 1: Identical to the RS1:0 bits in the PSW register.
2	OV	Overflow Flag: Identical to the OV bit in the PSW register.
1	Z	Zero Flag: This flag is set if the result of the last logical or arithmetic operation is zero. Otherwise it is cleared.
0	—	Reserved: The value read from this bit is indeterminate. Write a zero to this bit.

<b>RCAP2H, RCAP2L</b>	Address: RCAP2H S:CBH	
	RCAP2L S:CAH	
	Reset State: 0000 0000B	
<p>Timer 2 Reload/Capture Registers. This register pair stores 16-bit values to be loaded into or captured from the timer register (TH2/TL2) in timer 2.</p>		
7		0
High/Low Byte of Timer 2 Reload/Capture Value		

Bit Number	Bit Mnemonic	Function
7:0	RCAP2H.7:0 RCAP2L.7:0	High byte of the timer 2 reload/recapture register Low byte of the timer 2 reload/recapture register



<b>SADDR</b>	Address:	S:A9H						
	Reset State:	0000 0000B						
<p>Slave Individual Address Register. SADDR contains the device's individual address for multiprocessor communication.</p>								
<b>7</b>		<b>0</b>						
Slave Individual Address								
<table border="1" style="width: 100%; border-collapse: collapse; margin-top: 10px;"> <thead> <tr> <th style="width: 15%;">Bit Number</th> <th style="width: 15%;">Bit Mnemonic</th> <th style="width: 70%;">Function</th> </tr> </thead> <tbody> <tr> <td>7:0</td> <td>SADDR.7:0</td> <td></td> </tr> </tbody> </table>			Bit Number	Bit Mnemonic	Function	7:0	SADDR.7:0	
Bit Number	Bit Mnemonic	Function						
7:0	SADDR.7:0							



<b>SADEN</b>	Address: S:B9H	
	Reset State: 0000 0000B	
<p>Mask Byte Register. This register masks bits in the SADDR register to form the device's given address for multiprocessor communication.</p>		
7		0
Mask for SADDR		
<b>Bit Number</b>	<b>Bit Mnemonic</b>	<b>Function</b>
7:0	SADEN.7:0	

<b>SBUF</b>	Address: S:99H	
	Reset State: XXXX XXXXB	
<p>Serial Data Buffer. Writing to SBUF loads the transmit buffer of the serial I/O port. Reading SBUF reads the receive buffer of the serial I/O port.</p>		
7		0
Data Sent/Received by Serial I/O Port		
<b>Bit Number</b>	<b>Bit Mnemonic</b>	<b>Function</b>
7:0	SBUF.7:0	

**SCON**

Address: 98H  
Reset State: 0000 0000B

Serial Port Control Register. SCON contains serial I/O control and status bits, including the mode select bits and the interrupt flag bits.

7

0

FE/SM0	SM1	SM2	REN	TB8	RB8	TI	RI
--------	-----	-----	-----	-----	-----	----	----

Bit Number	Bit Mnemonic	Function																									
7	FE  SM0	<p>Framing Error Bit: To select this function, set the SMOD0 bit in the PCON register. Set by hardware to indicate an invalid stop bit. Cleared by software, not by valid frames.</p> <p>Serial Port Mode Bit 0: To select this function, clear the SMOD0 bit in the PCON register. Software writes to bits SM0 and SM1 to select the serial port operating mode. Refer to the SM1 bit for the mode selections.</p>																									
6	SM1	<p>Serial Port Mode Bit 1: Software writes to bits SM1 and SM0 (above) to select the serial port operating mode.</p> <table border="1"> <thead> <tr> <th>SM0</th> <th>SM1</th> <th>Mode</th> <th>Description</th> <th>Baud Rate</th> </tr> </thead> <tbody> <tr> <td>0</td> <td>0</td> <td>0</td> <td>Shift register</td> <td><math>F_{osc}/12</math></td> </tr> <tr> <td>0</td> <td>1</td> <td>1</td> <td>8-bit UART</td> <td>Variable</td> </tr> <tr> <td>1</td> <td>0</td> <td>2</td> <td>9-bit UART</td> <td><math>F_{osc}/32^{\dagger}</math> or <math>F_{osc}/64^{\dagger}</math></td> </tr> <tr> <td>1</td> <td>1</td> <td>3</td> <td>9-bit UART</td> <td>Variable</td> </tr> </tbody> </table> <p><sup>†</sup>Select by programming the SMOD bit in the PCON register (see section 10.6, "Baud Rates)."</p>	SM0	SM1	Mode	Description	Baud Rate	0	0	0	Shift register	$F_{osc}/12$	0	1	1	8-bit UART	Variable	1	0	2	9-bit UART	$F_{osc}/32^{\dagger}$ or $F_{osc}/64^{\dagger}$	1	1	3	9-bit UART	Variable
SM0	SM1	Mode	Description	Baud Rate																							
0	0	0	Shift register	$F_{osc}/12$																							
0	1	1	8-bit UART	Variable																							
1	0	2	9-bit UART	$F_{osc}/32^{\dagger}$ or $F_{osc}/64^{\dagger}$																							
1	1	3	9-bit UART	Variable																							
5	SM2	<p>Serial Port Mode Bit 2: Software writes to bit SM2 to enable and disable the multiprocessor communication and automatic address recognition features. This allows the serial port to differentiate between data and command frames and to recognize slave and broadcast addresses.</p>																									
4	REN	<p>Receiver Enable Bit: To enable reception, set this bit. To enable transmission, clear this bit.</p>																									
3	TB8	<p>Transmit Bit 8: In modes 2 and 3, software writes the ninth data bit to be transmitted to TB8. Not used in modes 0 and 1.</p>																									
2	RB8	<p>Receiver Bit 8: Mode 0: Not used. Mode 1 (SM2 clear): Set or cleared by hardware to reflect the stop bit received. Modes 2 and 3 (SM2 set): Set or cleared by hardware to reflect the ninth data bit received.</p>																									

<b>SCON</b>	Address:	98H
	Reset State:	0000 0000B
<p>Serial Port Control Register. SCON contains serial I/O control and status bits, including the mode select bits and the interrupt flag bits.</p>		
7		0
FE/SM0	SM1	SM2
REN	TB8	RB8
	TI	RI

Bit Number	Bit Mnemonic	Function
1	TI	Transmit Interrupt Flag Bit: Set by the transmitter after the last data bit is transmitted. Cleared by software.
0	RI	Receive Interrupt Flag Bit: Set by the receiver after the last data bit of a frame has been received. Cleared by software.

<b>SP</b>	Address:	S:81H
	Reset State:	0000 0111B
<p>Stack Pointer. SP provides SFR access to location 63 in the register file (also named SP). SP is the lowest byte of the extended stack pointer (SPX = DR60). The extended stack pointer points to the current top of stack. When a byte is saved (PUSHed) on the stack, SPX is incremented, and then the byte is written to the top of stack. When a byte is retrieved (POPPed) from the stack, it is copied from the top of stack, and then SPX is decremented.</p>		
7		0
SP Contents		

Bit Number	Bit Mnemonic	Function
7:0	SP:7:0	Stack Pointer: Bits 0–7 of the extended stack pointer, SPX (DR60).

**SPH**

Address: S:BEH  
 Reset State: 0000 0000B

Stack Pointer High. SPH provides SFR access to location 62 in the register file (also named SPH). SPH is the upper byte of the lower word of DR60, the extended stack pointer (SPX). The extended stack pointer points to the current top of stack. When a byte is saved (PUSHed) on the stack, SPX is incremented, and then the byte is written to the top of stack. When a byte is retrieved (POPped) from the stack, it is copied from the top of stack, and then SPX is decremented.

7 0

SPH Contents

Bit Number	Bit Mnemonic	Function
7:0	SPH.7:0	Stack Pointer High: Bits 8–15 of the extended stack pointer, SPX (DR60).

**T2CON**

 Address: S:C8H  
 Reset State: 0000 0000B

Timer 2 Control Register. Contains the receive clock, transmit clock, and capture/reload bits used to configure timer 2. Also contains the run control bit, counter/timer select bit, overflow flag, external flag, and external enable for timer 2.

**7**
**0**

TF2	EXF2	RCLK	TCLK	EXEN2	TR2	C/T2#	CP/RL2#
-----	------	------	------	-------	-----	-------	---------

Bit Number	Bit Mnemonic	Function
7	TF2	Timer 2 Overflow Flag: Set by timer 2 overflow. Must be cleared by software. TF2 is not set if RCLK = 1 or TCLK = 1.
6	EXF2	Timer 2 External Flag: If EXEN2 = 1, capture or reload caused by a negative transition on T2EX sets EXF2. EXF2 does not cause an interrupt in up/down counter mode (DCEN = 1).
5	RCLK	Receive Clock Bit: Selects timer 2 overflow pulses (RCLK = 1) or timer 1 overflow pulses (RCLK = 0) as the baud rate generator for serial port modes 1 and 3.
4	TCLK	Transmit Clock Bit: Selects timer 2 overflow pulses (TCLK = 1) or timer 1 overflow pulses (TCLK = 0) as the baud rate generator for serial port modes 1 and 3.
3	EXEN2	Timer 2 External Enable Bit: Setting EXEN2 causes a capture or reload to occur as a result of a negative transition on T2EX unless timer 2 is being used as the baud rate generator for the serial port. Clearing EXEN2 causes timer 2 to ignore events at T2EX.
2	TR2	Timer 2 Run Control Bit: Setting this bit starts the timer.
1	C/T2#	Timer 2 Counter/Timer Select: C/T2# = 0 selects timer operation: timer 2 counts the divided-down system clock. C/T2# = 1 selects counter operation: timer 2 counts negative transitions on external pin T2.
0	CP/RL2#	Capture/Reload Bit: When set, captures occur on negative transitions at T2EX if EXEN2 = 1. When cleared, auto-reloads occur on timer 2 overflows or negative transitions at T2EX if EXEN2 = 1. The CP/RL2# bit is ignored and timer 2 forced to auto-reload on timer 2 overflow, if RCLK = 1 or TCLK = 1.

**T2MOD**

Address: S:C9H  
 Reset State: XXXX XX00B

Timer 2 Mode Control Register. Contains the timer 2 down count enable and clock-out enable bits for timer 2 .



Bit Number	Bit Mnemonic	Function
7:2	—	Reserved: The values read from these bits are indeterminate. Write zeros to these bits.
1	T2OE	Timer 2 Output Enable Bit: In the timer 2 clock-out mode, connects the programmable clock output to external pin T2.
0	DCEN	Down Count Enable Bit: Configures timer 2 as an up/down counter.

**TCON**

 Address: S:88H  
 Reset State: 0000 0000B

Timer/Counter Control Register. Contains the overflow and external interrupt flags and the run control and interrupt transition select bits for timer 0 and timer 1.

7	0						
TF1	TR1	TF0	TR0	IE1	IT1	IE0	IT0

Bit Number	Bit Mnemonic	Function
7	TF1	Timer 1 Overflow Flag: Set by hardware when the timer 1 register overflows. Cleared by hardware when the processor vectors to the interrupt routine.
6	TR1	Timer 1 Run Control Bit: Set/cleared by software to turn timer 1 on/off.
5	TF0	Timer 0 Overflow Flag: Set by hardware when the timer 0 register overflows. Cleared by hardware when the processor vectors to the interrupt routine.
4	TR0	Timer 0 Run Control Bit: Set/cleared by software to turn timer 1 on/off.
3	IE1	Interrupt 1 Flag: Set by hardware when an external interrupt is detected on the INT1# pin. Edge- or level- triggered (see IT1). Cleared when interrupt is processed if edge-triggered.
2	IT1	Interrupt 1 Type Control Bit: Set this bit to select edge-triggered (high-to-low) for external interrupt 1. Clear this bit to select level-triggered (active low).
1	IE0	Interrupt 1 Flag: Set by hardware when an external interrupt is detected on the INT0# pin. Edge- or level- triggered (see IT0). Cleared when interrupt is processed if edge-triggered.
0	IT0	Interrupt 0 Type Control Bit: Set this bit to select edge-triggered (high-to-low) for external interrupt 0. Clear this bit to select level-triggered (active low).

**TMOD**

Address: S:89H  
Reset State: 0000 0000B

Timer/Counter Mode Control Register. Contains mode select, run control select, and counter/timer select bits for controlling timer 0 and timer 1.

7

0

GATE1	C/T1#	M11	M01	GATE0	C/T0#	M10	M00
-------	-------	-----	-----	-------	-------	-----	-----

Bit Number	Bit Mnemonic	Function
7	GATE1	<p>Timer 1 Gate:</p> <p>When GATE1 = 0, run control bit TR1 gates the input signal to the timer register. When GATE1 = 1 and TR1 = 1, external signal INT1 gates the timer input.</p>
6	C/T1#	<p>Timer 1 Counter/Timer Select:</p> <p>C/T1# = 0 selects timer operation: timer 1 counts the divided-down system clock. C/T1# = 1 selects counter operation: timer 1 counts negative transitions on external pin T1.</p>
5, 4	M11, M01	<p>Timer 1 Mode Select:</p> <p><b>M11 M01</b></p> <p>0 0 Mode 0: 8-bit timer/counter (TH1) with 5-bit prescaler (TL1)</p> <p>0 1 Mode 1: 16-bit timer/counter</p> <p>1 0 Mode 2: 8-bit auto-reload timer/counter (TL1). Reloaded from TH1 at overflow.</p> <p>1 1 Mode 3: Timer 1 halted. Retains count.</p>
3	GATE0	<p>Timer 0 Gate:</p> <p>When GATE0 = 0, run control bit TR0 gates the input signal to the timer register. When GATE0 = 1 and TR0 = 1, external signal INT0 gates the timer input.</p>
2	C/T0#	<p>Timer 0 Counter/Timer Select:</p> <p>C/T0# = 0 selects timer operation: timer 0 counts the divided-down system clock. C/T0# = 1 selects counter operation: timer 0 counts negative transitions on external pin T0.</p>
1, 0	M10, M00	<p>Timer 0 Mode Select:</p> <p><b>M10 M00</b></p> <p>0 0 Mode 0: 8-bit timer/counter (T0) with 5-bit prescaler (TL0)</p> <p>0 1 Mode 1: 16-bit timer/counter</p> <p>1 0 Mode 2: 8-bit auto-reload timer/counter (TL0). Reloaded from TH0 at overflow.</p> <p>1 1 Mode 3: TL0 is an 8-bit timer/counter. TH0 is an 8-bit timer using timer 1's TR1 and TF1 bits.</p>



<b>TH0, TL0</b>	Address: TH0 S:8CH TL0 S:8AH								
	Reset State: 0000 0000B								
<p>TH0, TL0 Timer Registers. These registers operate in cascade to form the 16-bit timer register in timer 0 or separately as 8-bit timer/counters.</p>									
7	0								
High/Low Byte of Timer 0 Register									
<table border="1" style="width: 100%; border-collapse: collapse;"> <thead> <tr> <th style="width: 15%;">Bit Number</th> <th style="width: 15%;">Bit Mnemonic</th> <th style="width: 70%;">Function</th> </tr> </thead> <tbody> <tr> <td rowspan="2" style="text-align: center;">7:0</td> <td style="text-align: center;">TH0.7:0</td> <td>High byte of the timer 0 timer register.</td> </tr> <tr> <td style="text-align: center;">TL0.7:0</td> <td>Low byte of the timer 0 timer register.</td> </tr> </tbody> </table>		Bit Number	Bit Mnemonic	Function	7:0	TH0.7:0	High byte of the timer 0 timer register.	TL0.7:0	Low byte of the timer 0 timer register.
Bit Number	Bit Mnemonic	Function							
7:0	TH0.7:0	High byte of the timer 0 timer register.							
	TL0.7:0	Low byte of the timer 0 timer register.							

<b>TH1, TL1</b>	Address: TH1 S:8DH TL1 S:8BH								
	Reset State: 0000 0000B								
<p>TH1, TL1 Timer Registers. These registers operate in cascade to form the 16-bit timer register in timer 1 or separately as 8-bit timer/counters.</p>									
7	0								
High/Low Byte of Timer 1 Register									
<table border="1" style="width: 100%; border-collapse: collapse;"> <thead> <tr> <th style="width: 15%;">Bit Number</th> <th style="width: 15%;">Bit Mnemonic</th> <th style="width: 70%;">Function</th> </tr> </thead> <tbody> <tr> <td rowspan="2" style="text-align: center;">7:0</td> <td style="text-align: center;">TH1.7:0</td> <td>High byte of the timer 1 timer register.</td> </tr> <tr> <td style="text-align: center;">TL1.7:0</td> <td>Low byte of the timer 1 timer register.</td> </tr> </tbody> </table>		Bit Number	Bit Mnemonic	Function	7:0	TH1.7:0	High byte of the timer 1 timer register.	TL1.7:0	Low byte of the timer 1 timer register.
Bit Number	Bit Mnemonic	Function							
7:0	TH1.7:0	High byte of the timer 1 timer register.							
	TL1.7:0	Low byte of the timer 1 timer register.							

**TH2, TL2** Address: TH2 S:CDH  
TL2 S:CCH

Reset State: 0000 0000B

TH2, TL2 Timer Registers. These registers operate in cascade to form the 16-bit timer register in timer 2.

7 0

High/Low Byte of Timer 2 Register

Bit Number	Bit Mnemonic	Function
7:0	TH2.7:0 TL2.7:0	High byte of the timer 2 timer register. Low byte of the timer 2 timer register.

**WCON** Address: S:A7H  
Reset State: XXXX XX00B

Wait State Control Register. Use this register to enable the real time wait state input signal and/or the wait state output clock.

7 0

—	—	—	—	—	—	RTWCE	RTWE
---	---	---	---	---	---	-------	------

Bit Number	Bit Mnemonic	Function
7:2	—	Reserved: The values read from these bits are indeterminate. Write "0" to these bits.
1	RTWCE	Real time WAIT CLOCK enable. Write a '1' to this bit to enable the WAIT CLOCK on port 1.7 (WCLK). The square wave output signal is one-half the oscillator frequency.
0	RTWE	Real time WAIT# enable. Write a '1' to this bit to enable real-time wait-state input on port 1.6 (WAIT#).

**WDTRST**

Address: S:A6H  
 Reset State: XXXX XXXXB

Watchdog Timer Reset Register. Writing the two-byte sequence 1EH-E1H to the WDTRST register clears and enables the hardware WDT. The WDTRST register is a write-only register. Attempts to read it return FFH. The WDT itself is not read or write accessible. See section 8.7, "Watchdog Timer."

7 0

WDTRST Contents (Write-only)

Bit Number	Bit Mnemonic	Function
7:0	WDTRST.7:0	Provides user control of the hardware WDT.





# Glossary





# GLOSSARY

This glossary defines acronyms, abbreviations, and terms that have special meaning in this manual. (Chapter 1, “Guide to this Manual,” discusses notational conventions and general terminology.)

<b>#0data16</b>	A 32-bit constant that is immediately addressed in an instruction. The upper word is filled with zeros.
<b>#1data16</b>	A 32-bit constant that is immediately addressed in an instruction. The upper word is filled with ones.
<b>#data</b>	An 8-bit constant that is immediately addressed in an instruction.
<b>#data16</b>	A 16-bit constant that is immediately addressed in an instruction.
<b>#short</b>	A constant, equal to 1, 2, or 4, that is immediately addressed in an instruction.
<b>accumulator</b>	A register or storage location that forms the result of an arithmetic or logical operation.
<b>addr11</b>	An 11-bit destination address. The destination can be anywhere in the same 2-Kbyte block of memory as the first byte of the next instruction.
<b>addr16</b>	A 16-bit destination address. The destination can be anywhere within the same 64-Kbyte region as the first byte of the next instruction.
<b>addr24</b>	A 24-bit destination address. The destination can be anywhere within the 16-Mbyte address space.
<b>ALU</b>	Arithmetic-logic unit. The part of the CPU that processes arithmetic and logical operations.
<b>assert</b>	The term <i>assert</i> refers to the act of making a signal active (enabled). The polarity (high/low) is defined by the signal name. Active-low signals are designated by a pound symbol (#) suffix; active-high signals have no suffix. To <i>assert</i> RD# is to drive it low; to <i>assert</i> ALE is to drive it high.

<b>big endian form</b>	Memory storage format in which the most significant byte (MSB) of the word or double word is stored in the memory byte specified in the instruction. The remaining bytes are stored at higher addresses, with the least significant byte (LSB) at the highest address.
<b>binary-code compatibility</b>	The ability of an MCS <sup>®</sup> 251 microcontroller to execute, without modification, binary code written for an MCS 51 microcontroller.
<b>binary mode</b>	An operating mode, selected by a configuration bit, that enables an MCS 251 microcontroller to execute, without modification, binary code written for an MCS 51 microcontroller.
<b>bit</b>	A binary digit.
<b>bit (operand)</b>	An addressable bit in the MCS 251 architecture.
<b>bit51</b>	An addressable bit in the MCS 51 architecture.
<b>byte</b>	Any 8-bit unit of data.
<b>clear</b>	The term <i>clear</i> refers to the value of a bit or the act of giving it a value. If a bit is <i>clear</i> , its value is “0”; <i>clearing</i> a bit gives it a “0” value.
<b>code memory</b>	See <i>program memory</i> .
<b>configuration bytes</b>	Bytes, residing in on-chip OTPROM/ROM, that determine a set of operating parameters for the 8XC251SB.
<b>dir8</b>	An 8-bit direct address. This can be a memory address or an SFR address.
<b>dir16</b>	A 16-bit memory address (00:0000H–00:FFFFH) used in direct addressing.
<b>DPTR</b>	The 16-bit data pointer. In MCS 251 microcontrollers, DPTR is the lower 16 bits of the 24-bit extended data pointer, DPX.
<b>DPX</b>	The 24-bit extended data pointer in MCS 251 microcontrollers. See also <i>DPTR</i> .



<b>deassert</b>	The term <i>deassert</i> refers to the act of making a signal inactive (disabled). The polarity (high/low) is defined by the signal name. Active-low signals are designated by a pound symbol (#) suffix; active-high signals have no suffix. To <i>deassert</i> RD# is to drive it high; to <i>deassert</i> ALE is to drive it low.
<b>doping</b>	The process of introducing a periodic table Group III or Group V element into a Group IV element (e.g., silicon). A Group III impurity (e.g., indium or gallium) results in a <i>p-type</i> material. A Group V impurity (e.g., arsenic or antimony) results in an <i>n-type</i> material.
<b>double word</b>	A 32-bit unit of data. In memory, a double word comprises four contiguous bytes.
<b>dword</b>	See <i>double word</i> .
<b>edge-triggered</b>	The mode in which a device or component recognizes a falling edge (high-to-low transition), a rising edge (low-to-high transition), or a rising or falling edge of an input signal as the assertion of that signal. See also <i>level-triggered</i> .
<b>encryption array</b>	An array of key bytes used to encrypt user code in the on-chip code memory as that code is read; protects against unauthorized access to user's code.
<b>EPROM</b>	Erasable, programmable read-only memory
<b>external address</b>	A 16-bit or 17-bit address presented on the device pins. The address decoded by an external device depends on how many of these address bits the external system uses. See also <i>internal address</i> .
<b>FET</b>	Field-effect transistor.
<b>idle mode</b>	The power conservation mode that freezes the core clocks but leaves the peripheral clocks running.
<b>input leakage</b>	Current leakage from an input pin to power or ground.
<b>integer</b>	Any member of the set consisting of the positive and negative whole numbers and zero.
<b>internal address</b>	The 24-bit address that the device generates. See also <i>external address</i> .

<b>interrupt handler</b>	The module responsible for handling interrupts that are to be serviced by user-written interrupt service routines.
<b>interrupt latency</b>	The delay between an interrupt request and the time when the first instruction in the interrupt service routine begins execution.
<b>interrupt response time</b>	The time delay between an interrupt request and the resulting break in the current instruction stream.
<b>interrupt service routine (ISR)</b>	The software routine that services an interrupt.
<b>latency</b>	The amount of time between the interrupt request and the execution of the first instruction in the interrupt service routine.
<b>level-triggered</b>	The mode in which a device or component recognizes a high level (logic one) or a low level (logic zero) of an input signal as the assertion of that signal. See also <i>edge-triggered</i> .
<b>LSB</b>	Least-significant bit of a byte or least-significant byte of a word.
<b>maskable interrupt</b>	An interrupt that can be disabled (masked) by its individual mask bit in an interrupt enable register. All 8XC251SB interrupts, except the software trap (TRAP), are maskable.
<b>MSB</b>	Most-significant bit of a byte or most-significant byte of a word.
<b>multiplexed bus</b>	A bus on which the data is time-multiplexed with (some of) the address bits.
<b><i>n</i>-channel FET</b>	A field-effect transistor with an <i>n</i> -type conducting path (channel).
<b><i>n</i>-type material</b>	Semiconductor material with introduced impurities ( <i>doping</i> ) causing it to have an excess of negatively charged carriers.
<b>nibble</b>	A half-byte or four bits.
<b>nonmaskable interrupt</b>	An interrupt that cannot be disabled (masked). The software trap (TRAP) is the 8XC251SB's only nonmaskable interrupt.

<b>nonpage mode</b>	Conventional method for accessing external memory where code fetches require a two-state bus cycle. See also <i>page mode</i> .
<b><i>n</i>pn transistor</b>	A transistor consisting of one part <i>p</i> -type material and two parts <i>n</i> -type material.
<b>OTPROM</b>	One-time-programmable read-only memory, a version of EPROM.
<b><i>p</i>-channel FET</b>	A field-effect transistor with a <i>p</i> -type conducting path.
<b><i>p</i>-type material</b>	Semiconductor material with introduced impurities ( <i>doping</i> ) causing it to have an excess of positively charged carriers.
<b>page mode</b>	Method for reducing the time for external code fetches where subsequent code fetches to the same 256-byte “page” of memory require only a one-state bus cycle.
<b>PC</b>	Program counter.
<b>peripheral cycle</b>	The cycle at which the 8XC251SA, SB, SP, SQ peripherals operate. This is equal to six <i>state times</i> .
<b>program memory</b>	A part of memory where instructions can be stored for fetching and execution.
<b>powerdown mode</b>	The power conservation mode that freezes both the core clocks and the peripheral clocks.
<b>PWM</b>	Pulse-width modulated (outputs).
<b>real-time wait state</b>	A wait state whose delay time can be adjusted dynamically by the programmer by means of registers.
<b>rel</b>	A signed (two's complement) 8-bit, relative destination address. The destination is -128 to +127 bytes relative to the first byte of the next instruction.
<b>reserved bits</b>	Register bits that are not used in this device but may be used in future implementations. Avoid any software dependence on these bits. In the 8XC251SB, the value read from a reserved bit is indeterminate; do not write a “1” to a reserved bit.
<b>response time</b>	The amount of time between the interrupt request and the resulting break in the current instruction stream.

<b>set</b>	The term <i>set</i> refers to the value of a bit or the act of giving it a value. If a bit is <i>set</i> , its value is “1”; <i>setting</i> a bit gives it a “1” value.
<b>SFR</b>	Special-function register.
<b>sign extension</b>	A method for converting data to a larger format by filling the extra bit positions with the value of the sign. This conversion preserves the positive or negative value of signed integers.
<b>sink current</b>	Current flowing <b>into</b> a device to ground. Always a positive value.
<b>source-code compatibility</b>	The ability of an MCS 251 microcontroller to execute recompiled source code written for an MCS 51 microcontroller.
<b>source current</b>	Current flowing <b>out of</b> a device from $V_{CC}$ . Always a negative value.
<b>source mode</b>	An operating mode that is selected by a configuration bit. In source mode, an MCS 251 microcontroller can execute recompiled source code written for an MCS 51 microcontroller. In source mode, the MCS 251 microcontroller cannot execute unmodified binary code written for an MCS 51 microcontroller. See binary mode.
<b>SP</b>	Stack pointer.
<b>SPX</b>	Extended stack pointer.
<b>state time (or state)</b>	The basic time unit of the device; the combined period of the two internal timing signals, PH1 and PH2. (The internal clock generator produces PH1 and PH2 by halving the frequency of the signal on XTAL1.) With a 16-MHz crystal, one <i>state time</i> equals 125 ns. Because the device can operate at many frequencies, this manual defines time requirements in terms of <i>state times</i> rather than in specific units of time.
<b>UART</b>	Universal asynchronous receiver and transmitter. A part of the serial I/O port.
<b>WDT</b>	Watchdog timer, an internal timer that resets the device if the software fails to operate properly.

**word**

A 16-bit unit of data. In memory, a word comprises two contiguous bytes.

**wraparound**

The result of interpreting an address whose hexadecimal expression uses more bits than the number of available address lines. Wraparound ignores the upper address bits and directs access to the value expressed by the lower bits.





# Index







#0data16, A-3  
 #1data16, A-3  
 #data  
   definition, A-3  
 #data16, A-3  
 #short, A-3  
 8XC251SA, SB, SP, SQ, 1-1  
   block diagram, 2-2  
   on-chip peripherals, 2-3  
 8XC251Sx, 1-1  
 8XC51FX, 2-1

**A**

A15:8, 7-1  
   description, 13-2  
 A16  
   description, 13-2  
 AC flag, 5-18, 5-19, C-20  
 ACALL instruction, 5-15, A-24, A-26  
 ACC, 3-13, 3-17, 3-18, C-2, C-3, C-7  
 Accumulator, 3-15  
   in register file, 3-13  
   *See also ACC*  
 AD7:0, 7-1  
   description, 13-2  
 ADD instruction, 5-8, A-14  
 ADDC instruction, 5-8, A-14  
 addr11, 5-13, A-3  
 addr16, 5-13, A-3  
 addr24, 5-13, A-3  
 Address spaces, *See Memory space, SFRs, Register file, External memory, Compatibility*  
 Addresses  
   internal vs external, 4-9  
 Addressing modes, 3-8, 5-4  
   *See also Data instructions, Bit instructions, Control instructions*  
 AJMP instruction, 5-15, A-24  
 ALE  
   caution, 11-7  
   description, 13-2  
   extending, 4-13  
   following reset, 11-7  
   idle mode, 12-4

  programming and verifying nonvolatile memory, 14-3  
 ANL instruction, 5-9, 5-11  
   for bits, A-23  
 ANL/ instruction, 5-11  
   for bits, A-23  
 Arithmetic instructions, 5-8, 5-9  
   table of, A-14, A-15, A-16

## B

B register, 3-15, C-7  
   as SFR, 3-17, 3-18, C-2, C-3  
   in register file, 3-13  
 Base address, 5-4  
 Baud rate, *See Serial I/O port, Timer 1, Timer 2*  
 Big endian form, 5-2  
 Binary and source modes, 2-4, 4-13–4-15, 5-1  
   opcode maps, 4-14  
   selection guidelines, 2-4, 4-14  
 Bit address  
   addressing modes, 5-12  
   definition, A-3  
   examples, 5-11  
 Bit instructions, 5-1, 5-11–5-12  
   addressing modes, 5-4, 5-11  
 bit51, 5-11, A-3  
 Broadcast address, *See Serial I/O port*  
 Bulletin board service (BBS), 1-7, 1-8  
 Bus cycles, 13-3  
   nonpage mode, 13-4  
   page mode, 13-5

## C

Call instructions, 5-15  
 Capacitors  
   bypass, 11-2  
 CCAP1H–CCAP4H, CCAP1L–CCAP4L, 3-17, 3-20, C-2, C-5, C-8  
 CCAPM1–4, 3-17, 3-19, 9-15, C-2, C-5, C-9  
   interrupts, 6-5  
 CCON, 3-17, 3-19, 9-14, C-2, C-5, C-10  
 Ceramic resonator, 11-4  
 CEX4:0, 7-1  
 CH, CL, 3-17, 3-20, C-2, C-5, C-10

CJNE instruction, A-25  
 Clock, 2-6
 

- external, 11-4, 11-5
- external source, 11-3
- idle and powerdown modes, 12-5
- idle mode, 12-4
- powerdown mode, 12-5, 12-6
- sources, 11-3

 CLR instruction, 5-9, 5-11, A-17, A-23  
 CMOD, 3-17, 3-19, 9-13, C-2, C-5, C-11
 

- interrupts, 6-5

 CMP instruction, 5-8, 5-14, A-15  
 Code constants, 4-16  
 Code fetches
 

- external, 13-1, 13-5
- internal, 13-5
- page hit and page miss, 13-6
- page mode, 13-6

 Code memory
 

- MCS 51 architecture, 3-3
- See also On-chip code memory, External code memory*

 Compatibility (MCS 251 and MCS 51 architectures), 2-1, 3-2–3-5
 

- address spaces, 3-2, 3-4
- external memory, 3-5
- instruction set, 5-1
- SFR space, 3-5
- See also Binary and source modes*

 CompuServe, 1-7  
 Configuration
 

- external memory, 4-8
- overview, 4-1
- wait states, 4-1–4-2

 Configuration array, 4-1–4-4
 

- on-chip, 4-2

 Configuration bits, 4-4–4-6
 

- UCON bit, 4-4

 Configuration bytes, 4-1
 

- bus cycles, 13-15
- programming and verifying, 14-1
- UCONFIG0 (table), 4-6
- UCONFIG1 (table), 4-7

 Control instructions, 5-1, 5-12–5-16
 

- addressing modes, 5-12, 5-13
- table of, A-24

 Core, 2-4
 

- SFRs, 3-18, C-3

CPL instruction, 5-9, 5-11, A-17, A-23  
 CPU, 2-5
 

- block diagram, 2-5

 Crystal
 

- for on-chip oscillator, 11-3

 CY flag, 5-18, 5-19, C-20

## D

DA instruction, A-16  
 Data instructions, 5-1, 5-4–5-10
 

- addressing modes, 5-4

 Data pointer, *See DPH, DPL, DPTR, DPX, DPXL*  
 Data transfer instructions, 5-10
 

- table of, A-22
- See also Move instructions*

 Data types, 5-2  
 Datasheets
 

- on WWW, 1-7

 DEC instruction, 5-8, A-16  
 Destination register, 5-3  
 Device
 

- signal descriptions, B-3

 dir16, A-3  
 dir8, A-3  
 Direct addressing, 5-4
 

- in control instructions, 5-13

 Displacement addressing, 5-4, 5-8  
 DIV instruction, 5-9, A-16  
 Division, 5-9  
 DJNZ instruction, A-25  
 Documents
 

- ordering, 1-7
- related, 1-5

 DPH, DPL, 3-15, C-12
 

- as SFRs, 3-17, 3-18, C-2, C-3

 DPTR, 3-15
 

- in jump instruction, 5-13

 DPX, 3-5, 3-13, 3-15, 5-4  
 DPXL, 3-15, C-13
 

- as SFR, 3-17, 3-18, C-2, C-3
- external data memory mapping, 3-5, 5-4, 5-10
- reset value, 3-5

## E

EA#, 3-8
 

- description, 13-2

 ECALL instruction, 5-15, A-24

ECI, 7-1  
 EJMP instruction, 5-15, A-24  
 EMAP# bit, 3-9, 4-16  
 Encryption, 14-2  
 Encryption array  
   key bytes, 14-8  
   programming, 14-1, 14-8  
   setup for programming, 14-4–14-5  
 ERET instruction, 5-15, A-24  
 Escape prefix (A5H), 4-14  
 Extended stack pointer, *See SPX*  
 Extending ALE, A-1  
 extending ALE, A-11  
 External address lines  
   number of, 4-9  
 External bus  
   inactive, 13-3  
   pin status, 13-16, 13-17  
   structure in page mode, nonpage mode, 13-5  
 External bus cycles, 13-3  
   definitions, 13-3  
   extended ALE wait state, 13-10  
   extended RD#/WR#/PSEN# wait state, 13-8  
   nonpage mode, 13-4, 13-5  
   page mode, 13-5–13-7  
   page-hit vs page-miss, 13-5  
 External code memory  
   example, 13-20, 13-30  
   idle mode, 12-4  
   powerdown mode, 12-5  
 External memory, 3-10  
   design examples, 13-18–13-30  
   MCS 51 architecture, 3-2, 3-4, 3-5  
 External memory interface  
   configuring, 4-8–4-16  
   signals, 13-1  
 External RAM  
   example, 13-26  
   exiting idle mode, 12-5

**F**

F0 flag, 5-18, C-20  
 FaxBack service, 1-7, 1-8  
 Flash memory  
   example, 13-18, 13-20, 13-30

**G**

Given address, *See Serial I/O port*  
 Ground bounce, 11-2

**H**

Hardware  
   application notes, 1-6  
 Help desk, 1-7

**I**

I/O ports, 7-1–7-9  
   external memory access, 7-7, 7-8  
   latches, 7-2  
   loading, 7-7  
   pullups, 7-6  
   quasi-bidirectional, 7-6  
   SFRs, 3-18  
   *See also Ports 0–3*  
 Idle mode, 2-4, 12-1, 12-4–12-5  
   entering, 12-4  
   exiting, 11-6, 12-5  
   external bus, 13-3  
 IE, 6-3, 6-5  
 IE0, 3-17, 3-18, 6-6, 6-14, 10-11, C-2, C-3, C-14  
 Immediate addressing, 5-4  
 INC instruction, 5-8, A-16  
 Indirect addressing, 5-4  
   in control instructions, 5-13  
   in data instructions, 5-6  
 Instruction set  
   MCS 251 architecture, 5-1  
   MCS 51 architecture, 5-1  
 Instructions  
   arithmetic, 5-8  
   bit, 5-11  
   data, 5-4  
   data transfer, 5-10  
   logical, 5-9  
 INT1:0#, 6-1, 7-1, 8-1, 8-3  
   pulse width measurements, 8-10  
 Interrupt request, 6-1  
   cleared by hardware, 6-4  
 Interrupt service routine  
   exiting idle mode, 12-5  
   exiting powerdown mode, 12-6  
 Interrupts, 6-1–6-15  
   blocking conditions, 6-14

- detection, 6-3
- edge-triggered, 6-4
- enable/disable, 6-5
- exiting idle mode, 12-5
- exiting powerdown mode, 12-6
- external, 6-3, 6-11
- global enable, 6-5
- instruction completion time, 6-10
- latency, 6-9–6-13
- level-triggered, 6-4
- PCA, 6-5
- polling, 6-9, 6-10
- priority, 6-1, 6-3, 6-4, 6-7
- priority within level, 6-7
- processing, 6-9–6-15
- request, *See Interrupt request*
- response time, 6-9, 6-10
- sampling, 6-3, 6-10
- serial port, 6-5
- service routine (ISR), 6-4, 6-9, 6-14, 6-15
- sources, 6-3
- timer/counters, 6-4
- vector cycle, 6-14
- vectors, 3-3, 6-4

**INTR bit**

- and RETI instruction, 4-16, 5-16

IPH0, 3-17, 3-18, 6-3, 6-8, 6-14, C-2, C-3, C-15

- bit definitions, 6-7

IPL0, 3-17, 3-18, 6-3, 6-8, 6-14, C-2, C-3, C-16

- bit definitions, 6-7

ISR, *See Interrupts, service routine*

**J**

JB instruction, 5-14, A-24

JBC instruction, 5-14, A-24

JC instruction, A-24

JE instruction, A-24

JG instruction, A-24

JLE instruction, A-24

JMP instruction, A-24

JNB instruction, 5-14, A-24

JNC instruction, A-24

JNE instruction, A-24

JNZ instruction, A-24

JSG instruction, A-25

JSGE instruction, A-25

JSL instruction, A-24

JSLE instruction, A-25

Jump instructions

- bit-conditional, 5-14

- compare-conditional, 5-14

- unconditional, 5-15

JZ instruction, A-24

**K**

Key bytes, *See Encryption array*

**L**

Latency, 6-9

LCALL instruction, 5-15, A-24

LJMP instruction, 5-15, A-24

Lock bits

- programming and verifying, 14-1, 14-7

- protection types, 14-8

- setup for programming and verifying, 14-4–14-5

Logical instructions, 5-9

- table of, A-17

**M**

MCS 251 microcontroller, 2-1

- core, 2-4

- features, 2-1

MCS 51 microcontroller, 2-1

Memory space, 2-4, 3-1, 3-5–3-10

- compatibility, *See Compatibility (MCS 251 and MCS 51 architectures)*

- regions, 3-2, 3-5

- reserved locations, 3-5

Miller effect, 11-5

MOV instruction, A-19, A-20, A-21

- for bits, 5-11, A-23

MOVC instruction, 3-2, 5-10, A-21

Move instructions

- table of, A-19

MOVH instruction, 5-10, A-21

MOVS instruction, 5-10, A-21

MOVX instruction, 3-2, 5-10, A-21

MOVZ instruction, 5-10, A-21

MUL instruction, 5-9

Multiplication, 5-9

**N**

- N flag, 5-9, 5-19
- Noise reduction, 11-2, 11-3, 11-5
- Nonpage mode
  - bus cycles, *See External bus cycles, Nonpage mode*
  - bus structure, 13-1
  - configuration, 4-8
  - design example, 13-22, 13-26
  - port pin status, 13-16
- Nonpage Mode Bus Cycles, 13-4
- Nonvolatile memory
  - programming and verifying, 14-1–14-9
- NOP instruction, 5-15, A-25

**O**

- On-chip code memory, 3-2, 13-8
  - accessing in data memory, 4-16
  - accessing in region 00:, 3-9
  - idle mode, 12-4
  - powerdown mode, 12-5
  - programming and verifying, 14-1, 14-7
  - setup for programming and verifying, 14-3–14-5
  - starting address, 3-8, 14-2
  - top eight bytes, 3-9, 14-2
  - See also OTPROM/EPROM, ROM*
- On-chip oscillator
  - hardware setup, 11-1
- On-chip RAM, 3-2, 3-8
  - bit addressable, 3-8, 5-11
  - bit addressable in MCS 51 architecture, 5-11
  - idle mode, 12-4
  - MCS 51 architecture, 3-3, 3-4
  - reset, 11-6
- ONCE mode, 12-1, 12-7
  - entering, 12-7
  - exiting, 12-7
- Opcodes
  - for binary and source modes, 4-13, 5-1
  - map, A-4
    - binary mode, 4-15
    - source mode, 4-15
  - See also Binary and source modes*
- ORL instruction, 5-9, 5-11
  - for bits, A-23
- ORL/ instruction, 5-11

- for bits, A-23
  - Oscillator, 2-6
    - at startup, 11-7
    - during reset, 11-5
    - on-chip, 11-3
    - ONCE mode, 12-7
    - powerdown mode, 12-5, 12-6
    - programming and verifying nonvolatile memory, 14-3
  - OTPROM/EPROM (on-chip)
    - programming algorithm, 14-5
    - programming and verifying, 14-3
    - verify algorithm, 14-6
    - See also On-chip code memory, Configuration bytes, Lock bits, Encryption array, Signature bytes*
  - OV bit, 5-18, 5-19, C-20
  - Overflow *See OV bit*
- P**
- P bit, 5-18, C-20
  - P0, 3-17, 3-18, 7-2, C-2, C-3, C-17
  - P1, 3-17, 3-18, 7-2, C-2, C-3, C-17
  - P2, 3-17, 3-18, 7-2, C-2, C-3, C-18
  - P3, 3-17, 3-18, 7-2, C-2, C-3, C-18
  - Page mode, 2-5
    - address access time, 13-6
    - bus cycles, *See External bus cycles, page mode*
    - configuration, 4-8
    - design example, 13-20, 13-29
    - port pin status, 13-17
  - PAGE# bit, 4-8
  - PCA
    - compare/capture modules, 9-1
    - idle mode, 12-4
    - pulse width modulation, 9-11
    - SFRs, 3-19, C-5
    - timer/counter, 9-1
    - watchdog timer, 9-1, 9-9
  - PCON, 3-17, 3-18, 10-7, 12-1, 12-2, 12-5, C-2, C-3, C-19
    - idle mode, 12-4
    - powerdown mode, 12-6
    - reset, 11-6
  - Peripheral cycle, 2-6
  - Phase 1 and phase 2, 2-6

Phone numbers, customer support, 1-7  
 Pin conditions, 12-3  
 Pins  
   unused inputs, 11-2  
 Pipeline, 2-5  
 POP instruction, 3-15, 5-10, A-22  
 Port 0, 7-2  
   and top of on-chip code memory, 14-2  
   pullups, 7-8  
   structure, 7-3  
   *See also External bus*  
 Port 1, 7-2  
   structure, 7-3  
 Port 2, 7-2  
   and top of on-chip code memory, 14-2  
   structure, 7-4  
   *See also External bus*  
 Port 3, 7-2  
   structure, 7-3  
 Ports  
   at power on, 11-7  
   exiting idle mode, 12-5  
   exiting powerdown mode, 12-5  
   extended execution times, 5-1, A-1, A-11  
   programming and verifying nonvolatile  
     memory, 14-3, 14-5, 14-6  
 Power supply, 11-2  
 Powerdown mode, 2-4, 12-1, 12-5–12-6  
   accidental entry, 12-4  
   entering, 12-6  
   exiting, 11-6, 12-6  
   external bus, 13-3  
 PROG#, 14-1  
 Program status word *See PSW, PSWI*  
 PSEN#  
   caution, 11-7  
   description, 13-2  
   idle mode, 12-4  
   programming and verifying nonvolatile  
     memory, 14-3  
   regions for asserting, 4-9  
 PSW, A-26  
 PSW, PSW1, 3-17, 3-18, 5-16–5-17, C-2, C-3, C-  
   21  
   conditional jumps, 5-14  
   effects of instructions on flags, 5-17  
 PSW1, A-26  
 Pullups, 7-8

ports 1, 2, 3, 7-6  
 Pulse width measurements, 8-10  
 PUSH instruction, 3-15, 5-10, A-22

## Q

Quick-pulse algorithm, 14-1

## R

RCAP2H, RCAP2L, 3-17, 3-19, 8-2, 10-12, C-2,  
   C-4, C-21  
 RD#, 7-1  
   described, 13-2  
   regions for asserting, 4-9  
 RD1:0 configuration bits, 4-9  
 Read-modify-write instructions, 7-2, 7-5  
 Real-time wait states, 13-10  
 Register addressing, 5-4, 5-5  
 Register banks, 3-2, 3-12  
   accessing in memory address space, 5-4  
   implementation, 3-12, 3-13  
   MCS 51 architecture, 3-3  
   selection bits (RS1:0), 5-18, 5-19, C-20  
 Register file, 2-5, 3-1, 3-5, 3-10–3-15  
   address space, 3-2  
   addressing locations in, 3-13  
   and reset, 11-6  
   MCS 51 architecture, 3-4  
   naming registers, 3-13  
   register types, 3-13  
 Registers, *See Register addressing, Register banks,  
   Register file*  
 rel, A-3  
 Relative addressing, 5-4, 5-13  
 Reset, 11-5–11-8  
   cold start, 11-6, 12-1  
   entering ONCE mode, 12-7  
   exiting idle mode, 12-5  
   exiting powerdown mode, 12-6  
   externally initiated, 11-6  
   need for, 11-7  
   operation, 11-6  
   power on, 11-7  
   power-on setup, 11-1  
   timing sequence, 11-6, 11-8  
   warm start, 11-6, 12-1  
 Response time, 6-9  
 RET instruction, 5-15, A-24

RETI instruction, 6-1, 6-14, 6-15, A-24  
 Return instructions, 5-15  
 RL instruction, A-17  
 RLC instruction, A-17  
 ROM (on-chip), 14-1  
     verifying, 14-1–14-9  
     *See also On-chip code memory, Configuration bytes, Lock bits, Encryption array, Signature bytes.*  
 Rotate instructions, 5-9  
 RR instruction, A-17  
 RRC instruction, A-17  
 RST, 11-6, 11-7  
     exiting idle mode, 12-5  
     exiting powerdown mode, 12-6  
     ONCE mode, 12-7  
     power-on reset, 11-7  
     programming and verifying nonvolatile memory, 14-3  
 RTWCE (Real Time WAIT CLOCK Enable) Bit, 13-12  
 RTWE (Real Time WAIT# Enable) Control Bit, 13-12  
 RXD, 7-1, 10-1  
     mode 0, 10-4  
     modes 1, 2, 3, 10-6

**S**  
 SADDR, 3-17, 3-19, 10-2, 10-8, 10-9, 10-10, C-2, C-4, C-22  
 SADEN, 3-17, 3-19, 10-2, 10-8, 10-9, 10-10, C-2, C-4, C-23  
 SBUF, 3-17, 3-19, 10-2, 10-4, 10-5, C-2, C-4, C-23  
 SCON, 3-17, 3-19, 10-2, 10-3, 10-4, 10-5, 10-6, 10-7, C-2, C-4, C-24, C-25  
     bit definitions, 10-3  
     interrupts, 6-5  
 Security, 14-2  
 Serial I/O port, 10-1–10-14  
     asynchronous modes, 10-6  
     automatic address recognition, 10-7–10-10  
     baud rate generator, 8-8  
     baud rate, mode 0, 10-4, 10-10  
     baud rate, modes 1, 2, 3, 10-6, 10-10–10-14  
     broadcast address, 10-9  
     data frame, modes 1, 2, 3, 10-6  
     framing bit error detection, 10-7

    full-duplex, 10-6  
     given address, 10-8  
     half-duplex, 10-4  
     interrupts, 10-1, 10-8  
     mode 0, 10-4–10-5  
     modes 1, 2, 3, 10-6  
     multiprocessor communication, 10-7  
     SFRs, 3-19, 10-1, 10-2, C-4  
     synchronous mode, 10-4  
     timer 1 baud rate, 10-11, 10-12  
     timer 2 baud rate, 10-12–10-14  
     timing, mode 0, 10-5  
 SETB instruction, 5-11, A-23  
 SFRs  
     accessing, 3-16  
     address space, 3-1, 3-2  
     idle mode, 12-4  
     map, 3-17, C-2  
     MCS 51 architecture, 3-4  
     powerdown mode, 12-5  
     reset initialization, 11-6  
     reset values, 3-16  
     tables of, 3-18  
     unimplemented, 3-2, 3-16  
 Shift instruction, 5-9  
 Signal descriptions, B-3  
 Signature bytes  
     values, 14-8  
     verifying, 14-1, 14-8  
 SJMP instruction, 5-15, A-24  
 SLL instruction, 5-9, A-17  
 Software  
     application notes, 1-6  
 Source register, 5-3  
 SP, 3-15, 3-17, 3-18, C-2, C-3, C-25  
 Special function registers *See SFRs*  
 SPH, 3-15, 3-17, 3-18, C-2, C-3, C-26  
 SPX, 3-13, 3-15  
 SRA instruction, 5-9, A-18  
 SRL instruction, 5-9, A-18  
 State time, 2-6  
 SUB instruction, 5-8, A-14  
 SUBB instruction, 5-8, A-14  
 SWAP instruction, 5-9, A-18

**T**  
 T1:0, 7-1, 8-3

- T2, 7-1, 8-3
  - T2CON, 3-17, 3-19, 8-1, 8-2, 8-10, 8-17, 10-13, C-2, C-4, C-27
    - baud rate generator, 10-12
  - T2EX, 7-1, 8-3, 8-11, 10-12
  - T2MOD, 3-17, 3-19, 8-1, 8-2, 8-10, 8-16, 13-11, C-2, C-4, C-28
  - Target address, 5-4
  - TCON, 3-17, 3-19, 8-1, 8-2, 8-3, 8-6, 8-8, C-2, C-4, C-29
    - interrupts, 6-1
  - Tech support, 1-7
  - TH2, TL2
    - baud rate generator, 10-12, 10-14
  - THx, TLx (x = 0, 1, 2), 3-17, 3-19, 8-2, C-2, C-4, C-31, C-32
  - Timer 0, 8-3–8-8
    - applications, 8-9
    - auto-reload, 8-5
    - interrupt, 8-3
    - mode 0, 8-3
    - mode 1, 8-4
    - mode 2, 8-5
    - mode 3, 8-5
    - pulse width measurements, 8-10
  - Timer 1
    - applications, 8-9
    - auto-reload, 8-9
    - baud rate generator, 8-6
    - interrupt, 8-6
    - mode 0, 8-6
    - mode 1, 8-9
    - mode 2, 8-9
    - mode 3, 8-9
    - pulse width measurements, 8-10
  - Timer 2, 8-10–8-17
    - auto-reload mode, 8-12
    - baud rate generator, 8-14
    - capture mode, 8-11
    - clock out mode, 8-14
    - interrupt, 8-11
    - mode select, 8-15
  - Timer/counters, 8-1–8-17
    - external input sampling, 8-3
    - internal clock, 8-3
    - interrupts, 8-1
    - overview, 8-1–8-3
    - registers, 8-2
  - SFRs, 3-19, C-4
    - signal descriptions, 8-3
    - See also Timer 0, Timer 1, Timer 2*
  - TMOD, 3-17, 3-19, 8-1, 8-2, 8-3, 8-6, 8-7, 10-11, C-2, C-4, C-30
  - Tosc, 2-6
    - See also Oscillator*
  - TRAP instruction, 5-16, 6-3, 6-5, 6-15, A-25
  - TXD, 7-1, 10-1
    - mode 0, 10-4
    - modes 1, 2, 3, 10-6
- ## U
- UART, 10-1
  - UCON, 4-4–4-6
  - UCONFIG0, 4-2
  - UCONFIG1, 4-2
  - UD flag, 5-18, C-20
- ## V
- Vcc, 11-2
    - during reset, 11-5
    - power off flag, 12-1
    - power-on reset, 11-7
    - powerdown mode, 12-5, 12-6
    - See also Power supply*
  - Vcc2, 11-2
  - Vpp, 14-1
    - requirements, 14-3
  - Vss1, 11-2
  - Vss2, 11-2
- ## W
- Wait states, 4-12, 5-1, 13-8, A-1, A-11
    - configurable, 13-8
    - configuration bits, 4-12
    - extending ALE, 4-13, 13-10
    - extending RD#/WR#/PSEN#, 13-8
    - RD#/WR#/PSEN#, 4-12, 4-13
    - real-time, 13-10
  - WAIT# (Wait State) Input, 13-2
  - Watchdog timer (hardware), 8-16–8-18
    - enabling, disabling, 8-16
    - in idle mode, 8-18
    - in powerdown mode, 8-18
    - initiating reset, 11-6
    - overflow, 8-16



SFR (WDTRST), 3-19, C-4  
WCLK (Wait Clock) Output, 13-2  
WCON, 3-17, 13-11, C-2, C-3, C-32  
WDTRST, 3-17, 3-19, 8-2, 8-16, C-2, C-4, C-33  
World Wide Web, 1-7  
WR#, 7-1  
    described, 13-2

## X

XALE# bit, 4-13  
XCH instruction, 5-10, A-22  
XCHD instruction, 5-10, A-22  
XRL instruction, 5-9  
XTAL1, XTAL2, 11-3  
    capacitance loading, 11-5

## Z

Z flag, 5-9, 5-19

