

SIEMENS



Microcomputer Components

SAB 80C166/83C166

16-Bit CMOS Single-Chip Microcontrollers
for Embedded Control Applications

User's Manual 06.90 / 08.97

SAB 80C166/83C166	
Revision History:	Current Version: 06.90 / 08.97
Previous Releases:	Original version 6.90
Page	Subjects (major changes since last revision)
A-*	Instruction Set removed. See separate "Instruction Set Manual" (B158-H6772-G1-X-7600).
D-*	Device Specifications removed. Please refer to actual data sheet.
–	Addendum to User's Manual 9.90 included. Now both documents are combined to one single book.
Note:	The contents of the combined documents is identical with the respective original version (6.90 or 9.90)

Edition 06.90 / 08.97

**Published by Siemens AG,
Bereich Halbleiter, Marketing-
Kommunikation, Balanstraße 73,
81541 München**

© Siemens AG 1997.
All Rights Reserved.

Attention please!

As far as patents or other rights of third parties are concerned, liability is only assumed for components, not for applications, processes and circuits implemented within components or assemblies.

The information describes the type of component and shall not be considered as assured characteristics.

Terms of delivery and rights to change design reserved.

For questions on technology, delivery and prices please contact the Semiconductor Group Offices in Germany or the Siemens Companies and Representatives worldwide (see address list).

Due to technical requirements components may contain dangerous substances. For information on the types in question please contact your nearest Siemens Office, Semiconductor Group.

Siemens AG is an approved CECC manufacturer.

Packing

Please use the recycling operators known to you. We can also help you – get in touch with your nearest sales office. By agreement we will take packing material back, if it is sorted. You must bear the costs of transport.

For packing material that is returned to us unsorted or which we are not obliged to accept, we shall have to invoice you for any costs incurred.

Components used in life-support devices or systems must be expressly authorized for such purpose!

Critical components¹ of the Semiconductor Group of Siemens AG, may only be used in life-support devices or systems² with the express written approval of the Semiconductor Group of Siemens AG.

- 1 A critical component is a component used in a life-support device or system whose failure can reasonably be expected to cause the failure of that life-support device or system, or to affect its safety or effectiveness of that device or system.
- 2 Life support devices or systems are intended (a) to be implanted in the human body, or (b) to support and/or maintain and sustain human life. If they fail, it is reasonable to assume that the health of the user may be endangered.

SIEMENS

Microcomputer Components

SAB 80C166/83C166

16-Bit CMOS Single-Chip Microcontrollers
for Embedded Control Applications

User's Manual 06.90 / 08.97

Note:

The *User's Manual* describes the SAB 80C166 up to the AB step.

The *Addendum to the User's Manual* describes the improvements and features implemented in the SAB 80C166 from the BA step. There is no explicit notice which parts of the User's Manual are to be replaced by the addendum. Please be aware that reading the addendum is essential for the correct programming of the SAB 80C166 devices available today.

		Page
1	Introduction	1-1
1.1	The SAB 80C166 Family of Microcontrollers	1-1
1.2	Features of the SAB 80C166 and the SAB 83C166	1-2
2	Architectural Overview	2-1
2.1	Basic CPU concepts and optimizations	2-1
2.1.1	High Instruction Bandwidth/Fast Execution	2-1
2.1.2	High Function 8-bit and 16-bit Arithmetic and Logic Unit	2-2
2.1.3	Extended Bit Processing and Peripheral Control	2-2
2.1.4	High Performance Branch-, Call-, and Loop Processing	2-2
2.1.5	Consistent and Optimized Instruction Formats	2-3
2.1.6	Programmable Multiple Priority Interrupt Structure	2-4
2.2	Functional Block	2-4
2.2.1	16-Bit CPU	2-4
2.2.1.1	Instruction Decoding	2-4
2.2.1.2	Arithmetic and Logic Unit	2-6
2.2.1.3	Barrel Shifter	2-6
2.2.2	Peripheral Event Controller (PEC) and Interrupt Control	2-6
2.2.3	Internal RAM	2-6
2.2.4	Internal ROM	2-6
2.2.5	Clock Generator	2-7
2.2.6	Peripherals and Port	2-7
3	System Description	3-1
3.1	Memory Organization	3-2
3.2	External Bus Controller	3-2
3.3	Central Processing Unit (CPU)	3-3
3.4	Interrupt System	3-4
3.5	Capture/Compare (CAPCOM) Unit	3-5
3.6	General Purpose Timer (GPT) Unit	3-6
3.7	A/D Converter	3-7
3.8	Serial Channels	3-8
3.9	Watchdog Timer	3-8
3.10	Parallel Ports	3-9
4	Memory Organization	4-1
4.1	Internal ROM	4-6
4.2	External Memory	4-7
4.3	Internal RAM	4-8
4.3.1	System Stack	4-9
4.3.2	General Purpose Registers	4-10
4.3.3	PEC Source and Destination Pointers	4-11
4.4	Internal Special Function Registers	4-12

		Page
5	Central Processing Unit (CPU)	5-1
5.1	Instruction Pipelining	5-2
5.1.1	Sequential Instruction Processing	5-3
5.1.2	Standard Branch Instruction Processing	5-4
5.1.3	Cache Jump Instruction Processing	5-4
5.1.4	Particular Pipeline Effects	5-5
5.2	Instruction State Times	5-7
5.2.1	Time Unit Definitions	5-8
5.2.2	Minimum State Times	5-8
5.2.3	Additional State Times	5-10
5.3	CPU Special Function Registers	5-12
5.3.1	SYSCON: System Configuration Register	5-13
5.3.1.1	Internal ROM/External Memory Access Mode Selection (via ROMEN, BTYP)	5-13
5.3.1.2	External Bus Timing Control (via MCTC, MTTC, RWDC)	5-15
5.3.1.3	Byte High Enable Pin Control (via BYTDIS)	5-16
5.3.1.4	Ready Pin Control (via RDYEN)	5-16
5.3.1.5	Clock Output Pin Control (via CLKEN)	5-17
5.3.1.6	Non-Segmented Memory Mode Selection (via SGTDIS)	5-17
5.3.1.7	Maximum System Stack Size Selection (via STKSZ)	5-17
5.3.2	PSW: Processor Status Word	5-18
5.3.2.1	ALU Status (N, C, V, Z, E, MULIP)	5-19
5.3.2.2	CPU Interrupt Status (IEN, ILVL)	5-21
5.3.3	IP: Instruction Pointer	5-21
5.3.4	CSP: Code Segment Pointer	5-21
5.3.5	DPP0, DPP1, DPP2, DPP3: Data Page Pointers	5-23
5.3.6	CP: Context Pointer	5-27
5.3.6.1	Implicit CP Use with Short 4-Bit GPR Addresses	5-28
5.3.6.2	Implicit CP Use with Short 8-Bit Register Addresses	5-29
5.3.7	SP: Stack Pointer	5-29
5.3.8	STKOV: Stack Overflow Pointer	5-32
5.3.9	STKUN: Stack Underflow Pointer	5-33
5.3.10	MDH: Multiply/Divide Register High Portion	5-34
5.3.11	MDL: Multiply/Divide Register Low Portion	5-35
5.3.12	MDC: Multiply/Divide Control Register	5-35
5.3.13	ONES: Constant Ones Register	5-36
5.3.14	ZEROS: Constant Zeros Register	5-37
6	Instruction Set Overview	6-1
6.1	Summary of Instruction Classes	6-1
6.1.1	Arithmetic Instructions	6-1

		Page
6.1.2	Logical Instructions	6-1
6.1.3	Boolean Bit Manipulation Instructions	6-2
6.1.4	Compare and Loop Control Instructions	6-2
6.1.5	Shift and Rotate Instructions	6-2
6.1.6	Prioritize Instruction	6-2
6.1.7	Data Movement Instructions	6-3
6.1.8	System Stack Instructions	6-3
6.1.9	Jump and Call Instructions	6-3
6.1.10	Return Instruction	6-4
6.1.11	System Control Instructions	6-4
6.1.12	Miscellaneous	6-4
6.2	Addressing Modes	6-4
6.2.1	Short Addressing Modes	6-4
6.2.2	Long Addressing Mode	6-6
6.2.3	Indirect Addressing Modes	6-7
6.2.4	Constants	6-9
6.2.5	Branch Target Addressing Modes	6-9
6.3	Condition Code Specification	6-10
7	Interrupt and Trap Functions	7-1
7.1	Interrupt System Structure	7-2
7.2	Normal Interrupt Processing and PEC Service	7-5
7.2.1	Interrupt System Register Description	7-5
7.2.1.1	Interrupt Control Registers	7-5
7.2.1.2	Interrupt Control Functions in the PSW	7-9
7.2.2	PEC Service Channels Register Description	7-10
7.2.2.1	PEC Channel Counter/Control Registers	7-10
7.2.2.2	PEC Source and Destination Pointers	7-12
7.2.3	Prioritization of Interrupt and PEC Service Requests	7-14
7.2.3.1	Enabling and Disabling of Interrupt Sources	7-14
7.2.3.2	Priority Level Structure	7-14
7.2.3.3	Example for the Use of the CPU Priority	7-15
7.2.4	Interrupt Procedure	7-17
7.2.4.1	Interrupt Procedure with Segmentation Disable	7-17
7.2.4.2	Interrupt Procedure with Segmentation Enabled	7-18
7.2.4.3	Context Switching for Interrupt Service Routines	7-19
7.2.5	Interrupt Processing via the Peripheral Event Controller PEC	7-19
7.2.6	Interrupt and PEC Response Times	7-21
7.2.7	External Interrupt	7-24
7.3	Trap Functions	7-26
7.3.1	Software Traps	7-26

		Page
7.3.2	Hardware Traps	7-26
7.3.2.1	External NMI Trap	7-29
7.3.2.2	Stack Overflow Trap	7-29
7.3.2.3	Stack Underflow Trap	7-29
7.3.2.4	Undefined Opcode Trap	7-30
7.3.2.5	Protection Fault Trap	7-30
7.3.2.6	Illegal Word Operand Access Trap	7-30
7.3.2.7	Illegal Instruction Access Trap	7-30
7.3.2.8	Illegal External Bus Access Trap	7-30
8	Peripherals	8-1
8.1	Capture/Compare (CAPCOM) Unit	8-2
8.1.1	Timers T0 and T1	8-5
8.1.1.1	Timer Mode	8-6
8.1.1.2	Counter Mode	8-7
8.1.1.3	Reload	8-8
8.1.1.4	Timer T0 and T1 Interrupt	8-8
8.1.1.5	Block Diagram	8-8
8.1.2	Capture/Compare Registers	8-9
8.1.2.1	Capture Mode	8-13
8.1.2.2	Compare Modes	8-14
8.1.2.2.1	Compare Mode 0	8-14
8.1.2.2.2	Compare Mode 1	8-16
8.1.2.2.3	Compare Mode 2	8-17
8.1.2.2.4	Compare Mode 3	8-18
8.1.2.2.5	Double-Register Compare Mode	8-19
8.1.2.3	Capture/Compare Interrupts	8-22
8.2	General Purpose Timers (GPT)	8-22
8.2.1	GPT1 Block	8-25
8.2.1.1	GPT1 Core Timer T3	8-27
8.2.1.1.1	Timer Mode	8-29
8.2.1.1.2	Gated Timer Mode	8-30
8.2.1.1.3	Counter Mode	8-31
8.2.1.1.4	Interrupt Control for Core Timer T3	8-32
8.2.1.2	GPT1 Auxiliary Timers T2 and T4	8-32
8.2.1.2.1	Timer Mode	8-34
8.2.1.2.2	Gated Timer Mode	8-35
8.2.1.2.3	Counter Mode	8-35
8.2.1.2.4	Reload Mode	8-37
8.2.1.2.5	Capture Mode	8-40
8.2.1.2.6	Interrupt Control	8-42
8.2.2	GPT2 Block	8-42

	Page
8.2.2.1 GPT2 Core Timer T6	8-43
8.2.2.1.1 Timer Mode	8-45
8.2.2.1.2 Timer T6 Interrupt Control	8-46
8.2.2.2 GPT2 Auxiliary Timer T5	8-47
8.2.2.2.1 Timer Mode	8-48
8.2.2.2.2 Counter Mode	8-48
8.2.2.2.3 Timer T5 Interrupt Control	8-50
8.2.2.3 GPT2 Capture/Reload Register CAPREL	8-50
8.2.2.3.1 Capture Mode	8-50
8.2.2.3.2 Reload Mode	8-51
8.2.2.3.3 CAPREL Register Interrupt Control	8-52
8.2.2.3.4 Using the Capture and Reload Mode	8-53
8.3 A/D Converter (ADC)	8-54
8.3.1 Conversion Modes and Operation	8-55
8.3.1.1 Single Channel Conversion Mode	8-58
8.3.1.2 Single Channel Continuous Conversion	8-58
8.3.1.3 Auto Scan Conversion Mode	8-58
8.3.1.4 Auto Scan Continuous Conversion	8-59
8.3.2 A/D Converter Interrupt Control	8-59
8.4 Serial Channels	8-60
8.4.1 Modes of Operation	8-61
8.4.1.1 Asynchronous Operation	8-64
8.4.1.1.1 8-Bit Data Mode	8-69
8.4.1.1.2 7-Bit Data + Parity Bit Mode	8-69
8.4.1.1.3 9-Bit Data Mode	8-69
8.4.1.1.4 8-Bit Data + Wake-Up Bit Mode	8-70
8.4.1.1.5 8-Bit Data + Parity Bit Mode	8-70
8.4.1.2 Synchronous Operation	8-70
8.4.1.2.1 Synchronous Data Transmission	8-72
8.4.1.2.2 Synchronous Data Reception	8-72
8.4.1.3 Loop-Back Mode	8-73
8.4.2 Baud Rates	8-73
8.4.2.1 Asynchronous Mode Baud Rates	8-74
8.4.2.2 Synchronous Mode Baud Rates	8-75
8.4.3 Serial Channels Interrupt Control	8-75
8.5 Watchdog Timer (WDT)	8-87
9 External Bus Interface	9-1
9.1 External Bus Configuration During Reset	9-2
9.2 Single Chip Mode	9-3
9.3 16/18-Bit Address, 8-Bit Data, Multiplexed Bus	9-4
9.4 16/18-Bit Address, 16-Bit Data, Multiplexed Bus	9-5

		Page
9.5	16/18-Bit Address, 16-Bit Data, Non-Multiplexed Bus	9-8
9.6	External Bus Transfer Characteristics	9-9
9.6.1	Multiplexed Bus Transfer Characteristics	9-9
9.6.1.1	Multiplexed Bus Memory Reads	9-10
9.6.1.2	Multiplexed Bus Memory Writes	9-11
9.6.2	Non-Multiplexed Bus Transfer Characteristics	9-11
9.6.2.1	Non-Multiplexed Bus Memory Reads	9-12
9.6.2.2	Non-Multiplexed Bus Memory Writes	9-12
9.7	User Selectable Bus Characteristics	9-12
9.7.1	Programmable Memory Cycle Time	9-13
9.7.2	Programmable Memory Tri-State Time	9-16
9.7.3	Read/Write Signal Delay	9-18
9.8	External Memory Access via the Data Ready Signal	9-19
10	Parallel Ports	10-1
10.1	Ports 0 through 4	10-1
10.1.1	Port 0 and Port 1	10-6
10.1.2	Port 2	10-8
10.1.3	Port 3	10-10
10.1.3.1	Port 3 Pins T0IN, T2IN, T3IN, T4IN, T3EUD, CAPIN, and READY# ...	10-11
10.1.3.2	Port 3 Pins T3OUT, T6OUT, TXD0, TXD1, WR#, CLKOUT	10-12
10.1.3.3	Port 3 Pin BHE#	10-13
10.1.3.4	Port 3 Pins RXD0 and RXD1	10-14
10.1.4	Port 4	10-15
10.2	Port 5	10-16
11	System Reset	11-1
11.1	RSTIN# and RSTOUT# Pins	11-1
11.2	Reset Values for SAB 80C166 Registers	11-3
11.3	Watchdog Timer Operation after Reset	11-3
11.4	Ports and External Bus Configuration during Reset	11-4
11.5	Initialization Software Routine	11-4
12	Power Reduction Modes	12-1
12.1	Power Down Mode	12-1
12.2	Idle Mode	12-2
12.3	Status of Output Pins during Idle and Power Down Mode	12-3

13	System Programming	13-1
13.1	Instructions Provided as Subsets of Instructions	13-1
13.1.1	Directly Substitutable Instructions	13-1
13.1.2	Modification of System Flags	13-1
13.1.3	External Memory Data Access	13-2
13.2	Multiplication and Division	13-2
13.3	BCD Calculations	13-4
13.4	Stack Operations	13-4
13.4.1	Internal System Stack	13-4
13.4.1.1	Use of Stack Underflow/Overflow Registers	13-5
13.4.2	User Stacks	13-6
13.5	Register Banking	13-7
13.6	Procedure Call Entry and Exit	13-7
13.6.1	Passing Parameters on the System Stack	13-7
13.6.2	Cross Segment Subroutine Calls	13-7
13.6.3	Providing Local Registers for Subroutines	13-8
13.7	Table Searching	13-9
13.8	Peripheral Control and Interface	13-9
13.9	Floating Point Support	13-10
13.10	Trap/Interrupt Entry and Exit	13-10
14	Support Tools	14-1
14.1	Hardware Support	14-1
14.2	Software Support	14-2
14.2.1	Assembler Package	14-2
14.2.2	'C' Compiler	14-3
14.2.3	Simulator Package	14-3
14.3	Hosts	14-3

Appendix

Appendix A – Removed

	Page
B	SAB 80C166 Register B-1
B.1	CPU General Purpose Registers (GPRs) B-2
B.1.1	Word Registers B-2
B.1.2	Byte Registers B-3
B.2	Special Function Registers – Ordered by Address B-4
B.2.1	Non-Bit Addressable Special Function Registers B-4
B.2.2	Bit Addressable Special Function Registers B-7
B.3	Special Function Registers – Alphabetical Order B-12
C	Application Examples C-1
C.1	External Bus and Memory Configurations C-1
C.1	Calculation of the user Selectable Bus Timing Parameters C-9
D	Addendum to User’s Manual 09.90 D-1
D.1	GPT2 – Timer T5 Clear Function D-3
D.2	Serial Port Baud Rates D-3
D.3	Implementation of a 16/18-Bit Address, 8-Bit Data, Non-Multiplexed Bus Mode D-4
D.4	Mapping the internal ROM address space D-4
D.5	Selection of Bus Modes and ROM Mapping D-5
D.6	Change of the READY#-Function D-8
D.7	Implementation of an additional Bus Configuration Register D-9
D.8	Switching between the Bus Modes D-11
D.9	Implementation of ALE Lengthening D-11
D.10	Automatic Continuation of Reset Sequence D-12
D.11	Implementation of HOLD/HLDA/BREQ Bus Arbitration D-12

Top Tech Semiconductors – Worldwide

1 Introduction

The rapidly growing area of embedded control applications is representing one of the most time-critical operating environments for today's microcontrollers. Complex control algorithms must be processed based on a large number of digital as well as analog input signals, and the appropriate output signals must be generated within a defined minimum response time. Embedded control applications are often confronted with restrictions concerning board space, power consumption, and overall system cost. Therefore, embedded control applications require microcontrollers which provide a high level of system integration to eliminate the need for additional peripheral devices and the associated software overhead. High system security and fail-safe mechanisms are also a fundamental necessity in embedded control systems.

With the increasing complexity of embedded control applications, a significant increase in CPU performance and peripheral functionality over conventional 8-bit controllers is required of microcontrollers for high-end embedded control systems. In order to achieve this high performance goal, Siemens has decided to develop its new SAB 80C166 family of 16-bit CMOS microcontrollers without the constraints of backward compatibility. However, hardware and software concepts which have successfully been established in Siemens's popular SAB 8051x family of 8-bit controllers have been integrated into the new Siemens SAB 80C166 family.

1.1 The SAB 80C166 Family of Microcontrollers

The microcontrollers of the new Siemens SAB 80C166 family have been designed to meet the high performance requirements of real-time embedded control applications. The architecture of the SAB 80C166 family has been optimized for high instruction throughput and minimum response time to external stimuli. Intelligent peripheral subsystems have been integrated to reduce the need for CPU intervention to a minimum extent. The high flexibility of this architecture allows to serve the diverse and varying needs of different application areas such as automotive, industrial control, or data communications.

The core of the SAB 80C166 family has been developed with a 'family concept' in mind. All family members will utilize the same efficient control-optimized instruction set and software development tools. This modular family concept allows an easy and quick implementation of new family members with different internal memory sizes and technologies, different sets of on-chip peripherals, and/or different numbers of I/O pins.

As programs for embedded control applications become larger, high level languages are favoured by programmers, because high level language programs are easier to write and debug. For its SAB 80C166 family of microcontrollers, Siemens offers a complete set of software and hardware development tools, including 'C'-compiler, assembler, linker, loader, librarian, object-to-hex converter, simulator, and in-circuit emulator.

In the following, the features of the SAB 80C166 family members will be discussed in detail. The SAB 80C166 family currently includes:

SAB 80C166-S: ROM less Version

SAB 83C166-3S: mask-programmable ROM-Version

Note: In this document, any reference to the SAB 80C166 also applies to the SAB 83C166 unless otherwise noted. All time specifications are referred to a CPU clock of 20 MHz which means an oscillator frequency (f_{osc}) of 40 MHz .

1.2 Features of the SAB 80C166 and the SAB 83C166

The SAB 80C166 and the SAB 83C166 are the first representatives of the new Siemens SAB 80C166 family of full featured single-chip CMOS microcontrollers. They combine high CPU performance (up to 10 millions of instructions per second) with high peripheral functionality. A summary of key features which contribute to the high performance of the SAB 80C166 is listed below.

High Performance 16-Bit CPU With Four Stage Pipeline

- 100 ns minimum instruction cycle time, with most instructions executed in 1 cycle
- 500 ns multiplication (16-bit · 16-bit), 1 μ s division (32-bit/16-bit)
- High bandwidth internal data buses
- Register based design with multiple variable register banks
- Single cycle context switching support
- 256 Kbytes linear address space for code and data (von Neumann architecture)
- System stack cache support with automatic stack overflow/underflow detection

Control Oriented Instruction Set with High Efficiency

- Bit, byte, and word data types
- Flexible and efficient addressing modes for high code density
- Enhanced boolean bit manipulation with direct addressability of 4 Kbits for peripheral control and user defined flags
- Hardware traps to identify exception conditions during runtime

Integrated On-chip Memory

- 1 Kbyte internal RAM,
8 Kbytes internal ROM (SAB 83C166)

External Memory Expansion Interface

- Supports 3 different bus configurations plus segmentation capability

16-Priority-Level Interrupt System

- 32 interrupt sources with separate interrupt vectors
- 300/500 ns typical/maximum interrupt latency in case of internal program execution

8-Channel Peripheral Event Controller (PEC)

- Interrupt driven single cycle data transfer
- Transfer count option (CPU interrupt generation after a programmable number of PEC transfers)
- Eliminates overhead of saving and restoring system state for interrupt requests

Intelligent Peripheral Subsystems

- 10-Channel 10-bit A/D Converter, 9,75 μ s conversion time, auto scan modes
- 16-Channel Capture/Compare Unit with 2 independent time bases very flexible PWM unit/event recording unit with 5 different operating modes, includes two 16-bit timers/counters with 400 ns maximum resolution
- 2 Multifunctional General Purpose Timer Units
GPT1: three 16-bit timers/ counters, 400 ns maximum resolution
GPT2: two 16-bit timers/counters, 200 ns maximum resolution
- 2 Serial Channels (USART) with independent baud rate generators provide parity, framing, and overrun error detection
- Watchdog Timer with programmable time intervals

76 I/O Lines With Individual Bit Addressability

- Tri-stated in input mode, Schmitt-Trigger characteristics

Different Temperature Ranges

- 0 to 70 °C, - 40 to 85 °C, - 40 to 110 °C

1.2 micron Siemens CMOS Process

- Low Power CMOS Technology, including power saving Idle and Power Down modes

100-Pin Plastic Quad Flat Pack (PQFP) Package

- JEDEC standard, 25 mil (0.635 mm) lead spacing, surface mount technology

Complete Development Support

- 'C'-Compiler
- Macro-Assembler, Linker, Locater, Library Manager, Object-to-Hex-Converter
- Simulator for the complete simulation of the CPU and the on-chip peripherals
- Real-Time In-Circuit Emulator
- Evaluation Board with monitor program

2 Architectural Overview

This chapter contains an overview of the SAB 80C166's architecture with combines advantages of both RISC and CISC processors in a very well-balanced way. It introduces the features which do in sum result in a high performance microcontroller which is the right choice not only for today's applications, but also for future engineering challenges.

2.1 Basic CPU concepts and optimizations

To meet the demand for greater performance and flexibility, a number of areas has been optimized in the processor core. These are summarized below, and described in detail in the following sections:

- 1) High Instruction Bandwidth/Fast Execution
- 2) High Function 8-bit and 16-bit Arithmetic and Logic Unit
- 3) Extended Bit Processing and Peripheral Control
- 4) High Performance Branch-, Call-, and Loop Processing
- 5) Consistent and Optimized Instruction Formats
- 6) Programmable Multiple Priority Interrupt Structure

2.1.1 High Instruction Bandwidth/Fast Execution

To achieve the desired performance, a goal of approximately one instruction executed during each machine cycle was set for the core CPU. Primarily, this goal has been reached except for branch-, multiply- or divide instructions. These instructions, however, have also been optimized. For example, branch instructions only require an additional machine cycle when a branch is taken, and most branches taken in loops require no additional machine cycles.

The instruction cycle time has been dramatically reduced through the use of instruction pipelining. This technique allows the core CPU to process portions of multiple sequential instruction stages in parallel. The following four stage pipeline provides the optimum balancing for the SAB 80C166 family's CPU core:

FETCH: In this stage, an instruction is fetched from the internal ROM or RAM, or from the external memory based on the current IP value.

DECODE: In this stage, the previously fetched instruction is decoded and the required operands are fetched.

EXECUTE: In this stage, the specified operation is performed on the previously fetched operands.

WRITE BACK: In this stage, the result is written to the specified location.

If this technique were not used, each instruction would require four machine cycles. This increased performance allows a greater number of tasks and interrupts to be processed.

2.1.2 High Function 8-bit and 16-bit Arithmetic and Logic Unit

Most internal execution blocks have been optimized to perform operations on either 8-bit or 16-bit quantities. Once the pipeline has been filled, one instruction is completed per machine cycle except for multiply and divide. An advanced Booth algorithm has been incorporated to allow four bits to be multiplied and two bits to be divided per machine cycle. Thus, these operations require four and nine machine cycles, respectively, to perform a 16-bit by 16-bit (or 32-bit by 16-bit) calculation plus one machine cycle to setup and adjust the operands and the result. Even these longer multiply and divide instructions can be interrupted during their execution to allow for very fast interrupt response. Instructions have also been provided to allow byte packing in memory while providing sign extension of bytes for word wide arithmetic operations. The internal bus structure also allows transfers of bytes or words to or from peripherals based on the peripheral requirements.

A set of consistent flags is automatically updated in the PSW after each arithmetic, logical, shift, or movement operation. These flags allow branching on specific conditions. Support for both signed and unsigned arithmetic is provided through user-specifiable branch tests. These flags are also preserved automatically by the CPU upon entry to an interrupt or trap routine.

2.1.3 Extended Bit Processing and Peripheral Control

A large number of instructions has been dedicated to bit processing. These instructions provide efficient control and testing of peripherals while enhancing data manipulation. Unlike many current microcontrollers, these instructions provide direct access to two operands in the bit-addressable space without requiring movement into temporary flags.

The same logical instructions available for words and bytes are also supported for bits. This allows the user to compare and modify a control bit for a peripheral in one instruction. Multiple bit shift instructions have been included to avoid long instruction streams of single bit shift operations. These are also performed in a single machine cycle.

In addition, bit field instructions have been provided which allow the modification of multiple bits from one operand in a single instruction.

2.1.4 High Performance Branch-, Call-, and Loop Processing

Due to the high percentage of branching in controller applications, branch instructions have been optimized to require one extra machine cycle only when a branch is taken. This is implemented by precalculating the target address while decoding the instruction. To decrease loop execution overhead, three enhancements have been provided. The first solution provides single cycle branch execution after the first iteration of a loop.

Thus, only one machine cycle is lost during the execution of the entire loop. In loops which fall through upon completion, no machine cycles are lost when exiting the loop. No special instructions are required to perform loops, and loops are automatically detected during execution of branch instructions.

The second loop enhancement allows the detection of the ends of tables and avoids the use of two compare instructions embedded in loops. One simply places the lowest negative number at the end of the specific table, and specifies branching if neither this value nor the compared value have been found. Otherwise the loop is terminated if either condition has been met. One can then test which condition has occurred. This method is described in detail in section 13.7.

The third loop enhancement provides a more flexible solution than the Decrement and Skip on Zero instruction which is found in many other microcontrollers. Through the use of Compare and Increment or Decrement instructions, the user can make comparisons to any value. This allows loop counters to cover any range. This is particularly advantageous in table searching.

Saving of system state is automatically performed on the internal system stack avoiding the use of instructions to preserve state upon entry and exit of interrupt or trap routines. Call instructions push the value of the IP on the system stack, and require the same execution time as branch instructions.

Instructions have also been provided to support indirect branch and call instructions. This supports implementation of multiple CASE statement branching in assembler macros and high level languages.

2.1.5 Consistent and Optimized Instruction Formats

To obtain optimum performance in a pipelined design, an instruction set has been designed which incorporates concepts from Reduced Instruction Set Computers (RISC). These concepts primarily allow fast decoding of the instructions and operands while reducing pipeline holds. These concepts, however, do not preclude the use of complex instructions which are required by microcontroller users. The following goals were used to design the instruction set:

- 1) Provide powerful instructions to perform operations which currently require sequences of instructions and are frequently used. Avoid transfer into and out of temporary registers such as accumulators and carry bits. Perform tasks in parallel such as saving state upon entry to interrupt routines or subroutines.
- 2) Avoid complex encoding schemes by placing operands in consistent fields for each instruction. Also avoid complex addressing modes which are not frequently used. This decreases the instruction decode time while also simplifying the development of compilers and assemblers.
- 3) Provide most frequently used instructions with one-word instruction formats. All other instructions are placed into two-word formats. This allows all instructions to be placed on word boundaries, which alleviates the need for complex alignment hardware. It also has the benefit of increasing the range for relative branching instructions.

2.1.6 Programmable Multiple Priority Interrupt Structure

A number of enhancements have been included to allow processing of a large number of interrupt sources. These are presented below:

- 1) Peripheral Event Controller (PEC): This processor is used to off-load many interrupt requests from the CPU. It avoids the overhead of entering and exiting interrupt or trap routines by performing single-cycle interrupt-driven byte or word data transfers.
- 2) Multiple Priority Interrupt Controller: This controller allows all interrupts to be placed at any specified priority. Interrupts may also be grouped, which provides the user with the ability to prevent similar priority tasks from interrupting each other.
- 3) Multiple Register Banks: This feature allows the user to specify up to sixteen general purpose registers located anywhere in the internal RAM. A single one-machine-cycle instruction is used to switch register banks from one task to another.
- 4) Interruptable Multiple Cycle Instructions: Reduced interrupt latency is provided by allowing multiple-cycle instructions (multiply, divide) to be interruptable.

2.2 Functional Blocks

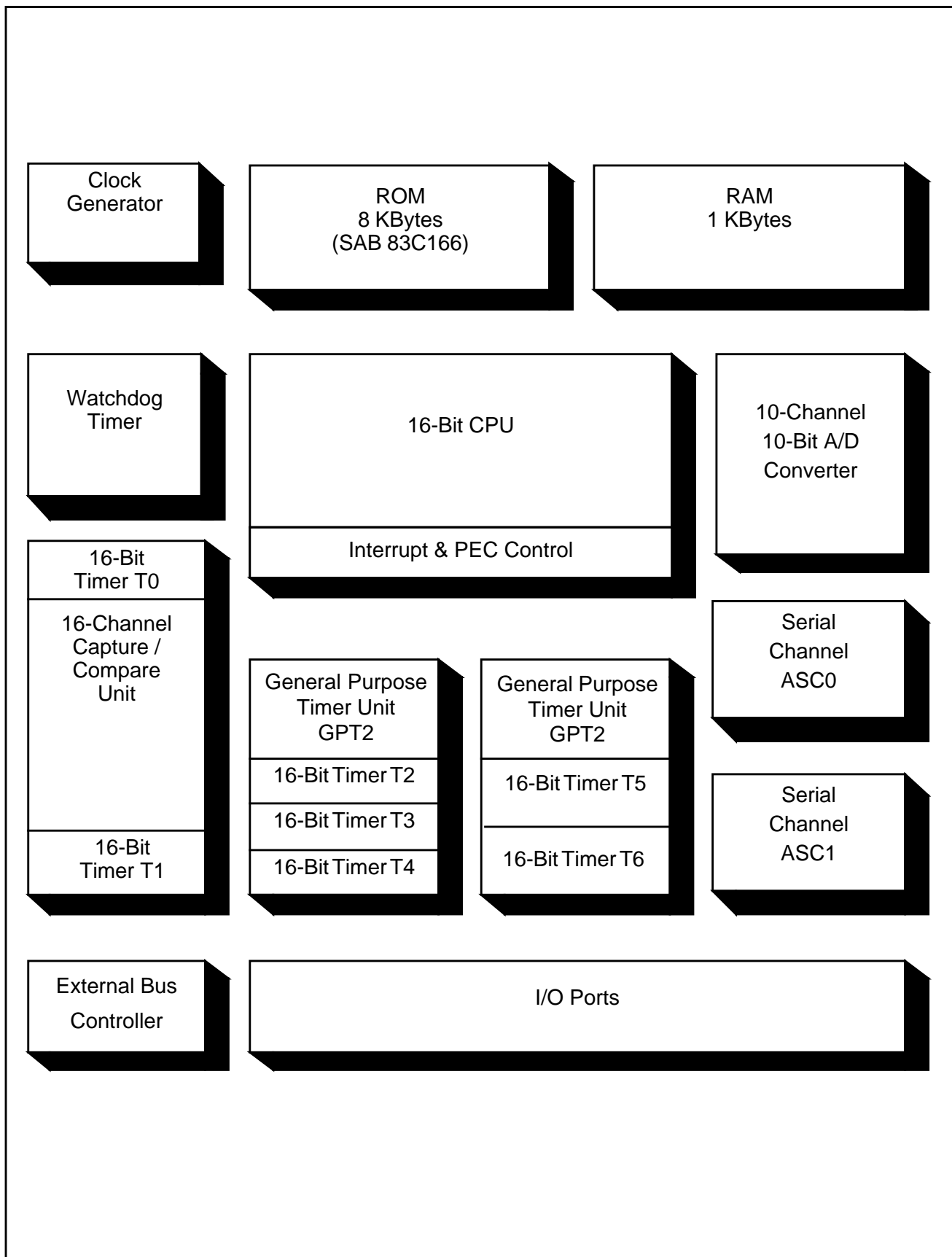
The SAB 80C166 family clearly separates peripherals from the core. This structure permits the maximum number of operations to be performed in parallel and allows peripherals to be added or deleted from family members without modifications to the core. Each functional block processes data independently and communicates information over common buses. Functional blocks in the CPU core are controlled by signals from the instruction decode logic. Peripherals are controlled by data written to the Special Function Registers (SFRs).

The following sections describe the functional blocks of the SAB 80C166 and interactions between these blocks.

2.2.1 16-Bit CPU

2.2.1.1 Instruction Decoding

Instruction decoding is primarily generated from PLA outputs based on the selected opcode. No microcode is used and each pipeline stage receives control signals staged in control registers from the decode stage PLAs. Pipeline holds are primarily caused by wait states for external memory accesses and cause the holding of signals in the control registers. Multiple-cycle instructions are performed through instruction injection and simple internal state machines which modify required control signals.



Functional Block Diagram

2.2.1.2 Arithmetic and Logic Unit

All standard arithmetic and logical operations are performed in a 16-bit ALU. In addition, for byte operations, signals are provided from bits six and seven of the ALU result to correctly set the condition flags. Multiple precision arithmetic is provided through a 'CARRY-IN' signal to the ALU from previously calculated portions of the desired operation. Booth multiplication and division are supported by an extended ALU and a bit shifter placed on two coupled 16-bit registers, MDL and MDH. All targets for branch calculations are also computed in the central ALU.

2.2.1.3 Barrel Shifter

A 16-bit barrel shifter provides multiple bit shifts in a single cycle. Rotates and arithmetic shifts are also supported.

2.2.2 Peripheral Event Controller (PEC) and Interrupt Control

Each interrupt source is prioritized every machine cycle in the interrupt control block. If PEC service is selected, a PEC transfer is started. If CPU interrupt service is requested, the current CPU priority level stored in the PSW register is tested to determine whether a higher priority interrupt is currently being serviced. When an interrupt is acknowledged, the current state of the machine is saved on the internal system stack and the CPU branches to the system specific vector for the peripheral.

The PEC contains a set of SFRs which store the count value and control bits for eight data transfer channels. In addition, the PEC uses a dedicated area of RAM which contains the source and destination addresses. The PEC is controlled similar to any other peripheral through SFRs containing the desired configuration of each channel.

2.2.3 Internal RAM

A dual port 512 by 16-bit internal RAM provides fast access to General Purpose Registers (GPRs), user data, and system stack. A unique decoding scheme provides flexible user register banks in the internal memory while optimizing the remaining RAM for user data.

Hardware detection of the selected memory space is placed at the internal memory decoders and allows the user to specify any address directly or indirectly and obtain the desired data without using temporary registers or special instructions.

2.2.4 Internal ROM

An optional large internal ROM of 8 Kbytes is provided for both code and constant data storage. This memory area is connected to the CPU via a 32-bit-wide bus. Thus, an entire double-word instruction can be fetched in just one machine cycle. Program execution from the on-chip ROM is the fastest of all possible alternatives.

2.2.5 Clock Generator

The on-chip clock generator contains a prescaler which divides the external clock frequency by 2. Thus, the internal clock frequency is half the external clock frequency (i.e. $f_{OSC}=40$ MHz \Rightarrow internal clock frequency=20 MHz). Two separated clocks are generated for the CPU and the peripheral part of the chip. While the CPU clock is stopped during waitstates or during the idle mode, the peripheral clock keeps running. Both clocks are switched off when the power down mode is entered.

2.2.6 Peripherals and Ports

The SAB 80C166 also contains:

- two blocks of general purpose timers
- a capture/compare unit
- two serial interface channels
- an A/D converter
- a watchdog timer
- six I/O ports with a total of 76 I/O lines

Each peripheral also contains a set of SFRs which control the functionality of the peripheral and temporarily store intermediate data results. Each peripheral has an associated set of status flags. Individually selected clock signals are generated for each peripheral from binary multiples of the system clock.

3 System Description

In this chapter, a summary of the SAB 80C166 is presented. The following block diagram gives an overview of the different on-chip components and of the advanced, high bandwidth internal bus structure of the SAB 80C166.

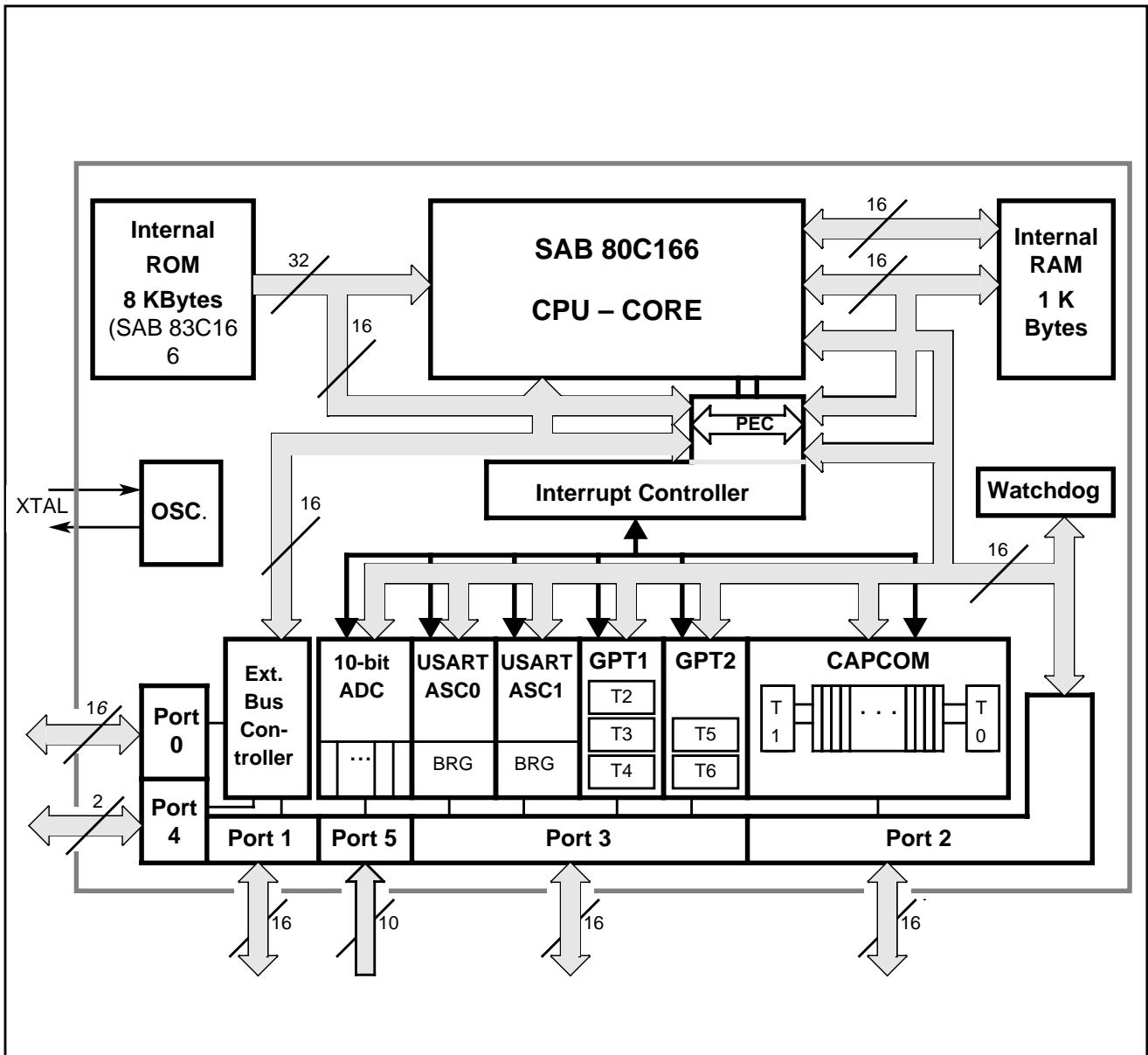


Figure 3.1
Block Diagram

3.1 Memory Organization

The memory space of the SAB 80C166 is configured in a Von Neumann architecture which means that code memory, data memory, registers and I/O ports are organized within the same linear address space which currently includes 256 Kbytes. Address space expansion to 16 Mbytes is provided for future versions. The entire memory space can be accessed bitwise or wordwise. Particular portions of the on-chip memory have additionally been made directly bit addressable.

The SAB 83C166 contains 8 Kbytes of a mask-programmable on-chip ROM for code or constant data.

A large dual port RAM of 1Kbyte is contained on both the SAB 80C166 and the SAB 83C166. This internal RAM is provided as a storage for user defined variables, for the system stack, general purpose register banks and even for code. A register bank can consist of up to 16 wordwise (R0 to R15) and/or bitwise (RL0, RH0, ..., RL7, RH7) so called General Purpose Registers (GPRs).

512 bytes of the address space are reserved for the Special Function Register (SFR) area. SFRs are wordwise registers which are used for controlling and monitoring functions of the different on-chip units. 98 SFRs are currently implemented. Unused SFR addresses are reserved for future members of the SAB 80C166 family.

In order to meet the needs of designs where more memory is required than is provided on chip, up to 256 Kbytes of external RAM and/or ROM can be connected to the microcontroller.

3.2 External Bus Controller

All of the external memory accesses are performed by a particular on-chip External Bus Controller (EBC). It can be programmed to either the Single Chip Mode when no external memory is required, or to one of three different external memory access modes, which are as follows:

- 16-bit/18-bit Addresses, 16-bit Data, Non-Multiplexed
- 16-bit/18-bit Addresses, 16-bit Data, Multiplexed
- 16-bit/18-bit Addresses, 8-bit Data, Multiplexed

In the non-multiplexed bus mode, Port 1 is used as an output for addresses and Port 0 is used as an input/output for data. In the multiplexed bus modes, just one of the two 16-bit ports, Port 0, is used as an input/output for both addresses and data.

Important timing characteristics of the external bus interface (Memory Cycle Time, Memory Tri-State Time and Read/Write Delay) have been made programmable to allow the user the adaption of a wide range of different types of memories. Access to very slow memories is supported via a particular 'Ready' function.

For applications which require less than 64 Kbytes of memory space, a non-segmented memory model can be selected. In this case, all memory locations can be addressed by 16 bits, and thus Port 4 is not needed as an output for the two most significant address bits (A17 and A16), as is the case when using the segmented memory model.

3.3 Central Processing Unit (CPU)

The main core of the CPU consists of a 4-stage instruction pipeline, a 16-bit arithmetic and logic unit (ALU) and dedicated SFRs. Additional hardware has been spent for a separate multiply and divide unit, a bit-mask generator and a barrel shifter.

Based on these hardware provisions, most of the SAB 80C166's instructions can be executed in just one machine cycle which requires 100 ns at 20 MHz CPU clock. For example, shift and rotate instructions are always processed during one machine cycle independent of the number of bits to be shifted. All multiple-cycle instructions have been optimized so that they can be executed very fast as well: A 32-bit/16-bit division in 1µs, a 16-bit * 16-bit multiplication in 0.5 µs, and branches in 200 ns. Another pipeline optimization, the so called 'Jump Cache', allows reducing the execution time of repeatedly performed jumps in a loop from 200 ns to 100 ns.

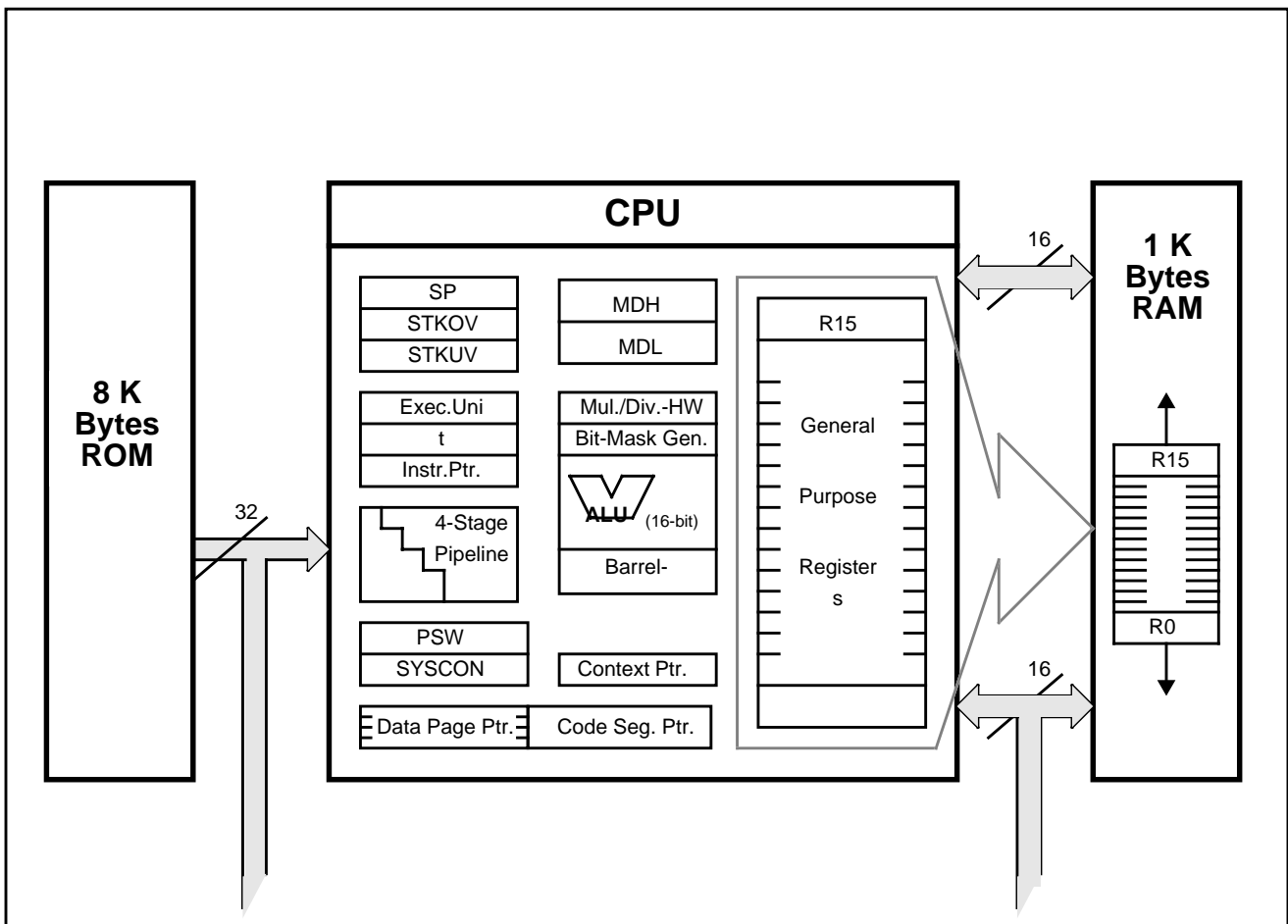


Figure 3.2
CPU Block Diagram

The CPU disposes of an actual register context consisting of up to 16 wordwide GPRs which are physically allocated within the on-chip RAM area. A Context Pointer (CP) register determines the base address of the active register bank to be accessed by the CPU at the time. The number of register banks is only restricted by the available internal RAM space. For easy parameter passing, register banks can also be organized overlappingly.

A system stack of up to 512 bytes is provided as a storage for temporary data. The system stack is allocated in the on-chip RAM area, and it is accessed by the CPU via the stack pointer (SP) register. Two separate SFRs, STKOV and STKUN, are implicitly compared against the stack pointer value upon each stack access for the detection of a stack overflow or underflow.

The high performance offered by the hardware implementation of the CPU can efficiently be utilized by a programmer via the highly functional SAB 80C166 instruction set which includes the following instruction classes:

- Arithmetic Instructions
- Logical Instructions
- Boolean Bit Manipulation Instructions
- Compare and Loop Control Instructions
- Shift and Rotate Instructions
- Prioritize Instruction
- Data Movement Instructions
- System Stack Instructions
- Jump and Call Instructions
- Return Instructions
- System Control Instructions
- Miscellaneous Instructions

The basic instruction length is either 2 or 4 bytes. Possible operand types are bits, bytes and words. A variety of direct, indirect or immediate addressing modes are provided to specify the required operands.

3.4 Interrupt System

With an interrupt response time within a range from just 250 ns to 500 ns (in case of internal program execution), the SAB 80C166 is capable of reacting very fast to the occurrence of non-deterministic events.

The architecture of the SAB 80C166 supports several mechanisms for fast and flexible response to service requests that can be generated from various sources internal or external to the microcontroller. Any of these interrupt requests can be programmed to being serviced by the Interrupt Controller or by the Peripheral Event Controller (PEC).

In contrast to a standard interrupt service where the current program execution is suspended and a branch to the interrupt vector table is performed, just one cycle is 'stolen' from the current CPU activity to perform a PEC service. A PEC service implies a single byte or word data transfer between any two memory locations with an additional increment of either the PEC source or the destination pointer. An individual PEC transfer counter is implicitly decremented for each PEC service except when performing in the continuous transfer mode. When this counter reaches zero, a standard interrupt is performed to the corresponding source related vector location. PEC services are very well suited, for example, for supporting the transmission or reception of blocks of data, or for transferring A/D converted results to a memory table. The SAB 80C166 has 8 PEC channels each of which offers such fast interrupt-driven data transfer capabilities.

A separate control register which contains an interrupt request flag, an interrupt enable flag and an interrupt priority bitfield, exists for each of the possible interrupt sources. Via its related register, each source can be programmed to one of sixteen interrupt priority levels. Once having been accepted by the CPU, an interrupt service can only be interrupted by a higher prioritized service request. For the standard interrupt processing, each of the possible interrupt sources has a dedicated vector location.

Software interrupts are supported by means of the 'TRAP' instruction in combination with an individual trap (interrupt) number.

The SAB 80C166 also provides an excellent mechanism to identify and to process exceptions or error conditions that arise during run-time, so called 'Hardware Traps'. Hardware traps cause immediate non-maskable system reaction which is similar to a standard interrupt service (branching to a dedicated vector table location). The occurrence of a hardware trap is additionally signified by a individual bit in the trap flag register (TFR). Except another higher prioritized trap service being in progress, a hardware trap will interrupt any actual program execution. In turn, hardware trap services can normally not be interrupted by standard or PEC interrupts.

3.5 Capture/Compare (CAPCOM) Unit

The CAPCOM unit supports generation and control of timing sequences on up to 16 channels with a maximum resolution of 400 ns. The CAPCOM unit is typically used to handle high speed I/O tasks such as pulse and waveform generation, pulse width modulation (PWM), Digital to Analog (D/A) conversion, software timing, or time recording relative to external events.

Two 16-bit timers (T0/T1) with reload registers provide two independent time bases for the capture/compare register array.

The input clock for the timers is programmable to several prescaled values of the internal system clock, or may be derived from an overflow/underflow of timer T6 in module GPT2.

This provides a wide range of variation for the timer period and resolution and allows precise adjustment to the application specific requirements. In addition, an external count input for CAPCOM timer T0 allows event scheduling for the capture/compare registers relative to external events.

The capture/compare register array contains 16 dual purpose capture/compare registers, each of which may be individually allocated to either CAPCOM timer T0 or T1, and programmed for capture or compare function. Each register has one port pin associated with it which serves as an input pin for triggering the capture function, or as an output pin to indicate the occurrence of a compare event.

When a capture/compare register has been selected for capture mode, the current contents of the allocated timer will be latched ('captured') into the capture/compare register in response to an external event at the port pin which is associated with this register. In addition, a specific interrupt request for this capture/compare register is generated. Either a positive, a negative, or both a positive and a negative external signal transition at the pin can be selected as the triggering event. The contents of all registers which have been selected for one of the five compare modes are continuously compared with the contents of the allocated timers. When a match occurs between the timer value and the value in a capture/compare register, specific actions will be taken based on the selected compare mode.

3.6 General Purpose Timer (GPT) Unit

The GPT unit represents a very flexible multifunctional timer/counter structure which may be used for many different time related tasks such as event timing and counting, pulse width and duty cycle measurement, pulse generation, or pulse multiplication.

The GPT unit incorporates five 16-bit timers which are organized in two separate modules, GPT1 and GPT2. Each timer in each module may operate independently in a number of different modes, or may be concatenated with another timer of the same module.

Each of the three timers T2, T3, T4 of the GPT1 module can be configured individually for one of three basic modes of operation, which are Timer, Gated Timer, and Counter Mode. In Timer Mode, the input clock for a timer is derived from the internal system clock, divided by a programmable prescaler, while Counter Mode allows a timer to be clocked in reference to external events.

Pulse width or duty cycle measurement is supported in Gated Timer Mode, where the operation of a timer is controlled by the 'gate' level on an external input pin. For these purposes, each timer has one associated port pin which serves as gate or clock input. The maximum resolution of the timers in the GPT1 module is 400 ns (@ $f_{OSC}=40$ MHz).

The count direction (up/down) for each timer is programmable by software. For timer T3, the count direction may additionally be altered dynamically by an external signal on a port pin to facilitate e.g. position tracking.

Timer T3 has an output toggle latch which changes its state on each timer overflow/underflow. The state of this latch may be output on a port pin e.g. for time out monitoring of external hardware components, or may be used internally to clock timers T2 and T4 for measuring long time periods with high resolution.

In addition to their basic operating modes, timers T2 and T4 may be configured as reload or capture registers for timer T3. When used as capture or reload registers, timers T2 and T4 are

stopped. The contents of timer T3 are captured into T2 or T4 in response to a signal at their associated input pins. Timer T3 is reloaded with the contents of T2 or T4 either by an external signal or by a selectable state transition of its toggle latch. When both T2 and T4 are configured to alternately reload T3 with the low and high times of a PWM signal, this signal can be constantly generated without software intervention.

With its maximum resolution of 200 ns (@ $f_{OSC}=40$ MHz), the GPT2 module provides precise event control and time measurement. It includes two timers (T5, T6) and a capture/reload register (CAPREL). Both timers can independently count up or down, clocked with an input clock which is derived from a programmable prescaler.

Concatenation of the timers is supported via the output toggle latch of timer T6, which changes its state on each timer overflow/underflow.

The state of this latch may be used to clock timer T5, or it may be output on a port pin. The overflows/underflows of timer T6 can additionally be used to clock the CAPCOM timers T0 or T1, and to cause a reload from the CAPREL register. The CAPREL register may capture the contents of timer T5 based on an external signal transition on the corresponding port pin, and timer T5 may optionally be cleared after the capture procedure. This allows absolute time differences to be measured or pulse multiplication to be performed without software overhead.

3.7 A/D Converter

For analog signal measurement, a 10-bit A/D converter with 10 multiplexed input channels and a sample and hold circuit has been integrated on-chip. It uses the method of successive approximation which returns the conversion result for an analog channel within $9.75 \mu\text{s}$ @ $f_{OSC}=40$ MHz.

Overrun error detection capability is provided for the conversion result register: an interrupt request will be generated when the result of a previous conversion has not been read from the result register at the time the next conversion is complete.

For applications which require less than 10 analog input channels, the remaining channels can be used as digital input port pins.

The A/D converter of the SAB 80C166 supports four different conversion modes. In the standard Single Channel conversion mode, the analog level on a specified channel is once sampled and converted into a digital result. In the Single Channel Continuous mode, the analog level is repeatedly sampled and converted without software intervention.

In the Auto Scan mode, the analog levels on a prespecified number of channels are sequentially sampled and converted. In the Auto Scan Continuous mode, the number of prespecified channels is repeatedly sampled and converted.

The Peripheral Event Controller (PEC) may be used to automatically store the conversion results into a table in memory for later evaluation, without requiring the overhead of entering and exiting interrupt routines for each data transfer.

3.8 Serial Channels

Serial communication with other microcontrollers, processors, terminals, or external peripheral components is provided by two serial interfaces with identical functionality, Serial Channel 0 (ASC0) and Serial Channel 1 (ASC1).

They are upward compatible with the serial ports of the Siemens SAB 8051x microcontroller family and support full-duplex asynchronous communication up to 625 Kbaud and half-duplex synchronous communication up to 2.5 Mbaud.

Two dedicated baud rate generators allow to set up all standard baud rates without oscillator tuning. For transmission, reception, and erroneous reception 3 separate interrupt vectors are provided for each serial channel.

In the synchronous mode, one data byte is transmitted or received synchronously to a shift clock which is generated by the SAB 80C166. In the asynchronous mode, an 8- or 9-bit data frame is transmitted or received, preceded by a start bit and terminated by one or two stop bits. For multiprocessor communication, a mechanism to distinguish address from data bytes has been included (8-bit data+wake up bit mode), and a loop back option is available for testing purposes.

A number of optional hardware error detection capabilities has been included to increase the reliability of data transfers. A parity bit can automatically be generated on transmission or be checked on reception. Framing error detection allows to recognize data frames with missing stop bits. An overrun error will be generated if the last character received has not been read out of the receive buffer register at the time reception of a new character is complete.

3.9 Watchdog Timer

The Watchdog Timer of the SAB 80C166 represents one of the fail-safe mechanisms which have been implemented to prevent the controller from malfunctioning for longer periods of time.

The Watchdog Timer of the SAB 80C166 is always enabled after a reset of the chip, and can only be disabled in the time interval until the EINIT (end of initialization) instruction has been executed. Thus, the chip's start-up procedure is always monitored.

The Watchdog Timer of the SAB 80C166 is always enabled after a reset of the chip, and can only be disabled in the time interval until the EINIT (end of initialization) instruction has been executed. Thus, the chip's start-up procedure is always monitored. When the software has been designed to service the Watchdog Timer before it overflows, the Watchdog Timer times out if the program does not progress properly due to hardware or software related failures. When the Watchdog Timer overflows, it generates an internal hardware reset and pulls the RSTOUT# pin low in order to allow external hardware components to reset.

The Watchdog Timer of the SAB 80C166 is a 16-bit timer which can either be clocked with $f_{OSC}/4$ or $f_{OSC}/256$. The high byte of the Watchdog Timer register can be set to a prespecified reload value in order to allow further variation of the monitored time interval. Each time it is serviced by the application software, the high byte of the Watchdog Timer is reloaded. Thus, time intervals between 25 μ s and 420 ms can be monitored (@ $f_{OSC}=40$ MHz). The default Watchdog Timer interval after reset is 6.55 ms.

3.10 Parallel Ports

The SAB 80C166 provides 76 I/O lines which are organized into four 16-bit I/O ports (Port 0 through 3), one 2-bit I/O port (Port 4), and one 10-bit input port (Port 5). All port lines are bit addressable, and all lines of Port 0 through 4 are individually bit-wise programmable as inputs or outputs via direction registers. The I/O ports are true bidirectional ports which are switched

to the high impedance state when configured as inputs. During the internal reset, all port pins are configured as inputs.

Each port line has one programmable alternate input or output function associated with it. Ports 0 and 1 may be used as address and data lines when accessing external memory, while Port 4 outputs the additional segment address bits A16 and A17 in systems where segmentation is enabled to access more than 64 Kbytes of memory. Port 2 is associated with the capture inputs/compare outputs of the CAPCOM unit, and Port 3 includes alternate functions of timers, serial interfaces, optional bus control signals (WR#, BHE#, READY#), and the system clock output (CLKOUT). Port 5 is used for the analog input channels to the A/D converter. When anyone of these alternate functions is not used, the respective port line may be used as general purpose I/O line.

4 Memory Organization

The SAB 80C166 family's memory space is configured in a Von Neumann architecture. This means that code and data are accessed within the same linear address space. All of the physically separated memory areas, including the internal ROM (for the SAB 83C166), internal RAM, internal Special Function Registers (SFRs), and external memory are mapped into a common address space.

The SAB 80C166 provides a total addressable memory space of 256 Kbytes. This address space is arranged in four segments of 64 Kbytes each, and each segment is again subdivided in four pages of 16 Kbytes each. The total addressable memory space can be expanded up to 16 Mbytes for future members of the SAB 80C166 family.

**Figure 4.1
Memory Segment and Page Arrangement**

Address	Data Page	Code Segment
3FFFFh	15	3
	14	
	13	
30000h	12	
2FFFFh	11	2
	10	
	9	
20000h	8	
1FFFFh	7	1
	6	
	5	
10000h	4	
0FFFFh	3	0
	2	
	1	
00000h	0	

256 KByte
Total Address Space

Memory Organization

Bytes are stored at even or odd byte addresses. Words are stored in ascending memory locations with the low byte at an even byte address being followed by the high byte at the next odd byte address. Double words (code only) are stored in ascending memory locations as two subsequently following words. Single bits are always stored in the specified bit position at a word address. Bit position 0 is the least significant bit of the byte at an even byte address, and bit position 15 is the most significant bit of the byte at the next odd byte address.

Figure 4.2
Word, Byte and Bit Storage in a Byte Organized Memory (Example)

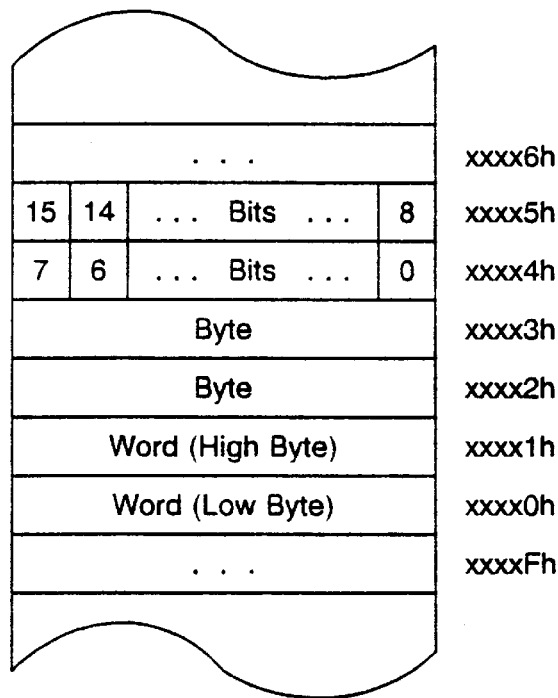


Table 4.1 shows how the different memory areas are mapped into the physical 256 Kbyte address space. Basically, all of the internal memory areas (ROM, RAM, SFRs) are mapped into parts of memory segment 0. The external memory is mapped into the remaining parts of memory segment 0 and into memory segments 1 through 3. Whenever internal ROM accesses have been disabled during reset, the lowest 8 Kbytes of segment 0 also specify an external memory area.

Table 4.1
Memory Address Space Mapping

Address Space	Memory Range	Size (Bytes)
00000h - 01FFFh	Internal ROM or External Memory	8 K
02000h - 0F9FFh	External Memory	54.5 K
0FA00h - 0FDFFh	Internal RAM	1 K
0FE00h - 0FFFFh	Internal SFRs	512
10000h - 3FFFFh	External Memory	192 K

The internal ROM, the internal RAM and the external memory space can be used for general code and data storage. The internal SFR space is provided for control data, but not for code storage.

Note that byte units forming a single word or a double word must always be stored within the same physical and organizational memory area (page, segment).

A particular use is provided for some memory areas, as follows. Addresses from 00000h to 000BFh in code segment zero are reserved for the hardware trap and interrupt vector jump table. The active General Purpose Register Bank which is selected by the Context Pointer (CP) Register can be situated anywhere in the internal RAM area (addresses from 0FA00h to 0FDFFh). Word addresses from 0FA00h to 0FBFEh in the internal RAM can basically be used for the system stack implementation. The highest 32 bytes of the internal RAM (addresses from 0FDE0h to 0FDFFh) are provided for the Peripheral Event Controller (PEC) source and destination pointers. Three memory spaces (from 0FF00h to 0FFDFh in the internal SFR area, from 0FD00h to 0FDFFh in the internal RAM area, and the address space occupied by the currently selected register bank) are basically provided for single bit accesses.

Figure 4.3a and 4.3b give an overview of the memory organization of the SAB 80C166. For more details about the different memory areas see the corresponding subsections in this chapter. The principles of the physical address generation are described in section 6.2 (Addressing Modes). Chapter 9.0 is dedicated to the External Bus Controller which is responsible for all of the memory accesses made externally.

Figure 4.3a
External Memory Organization

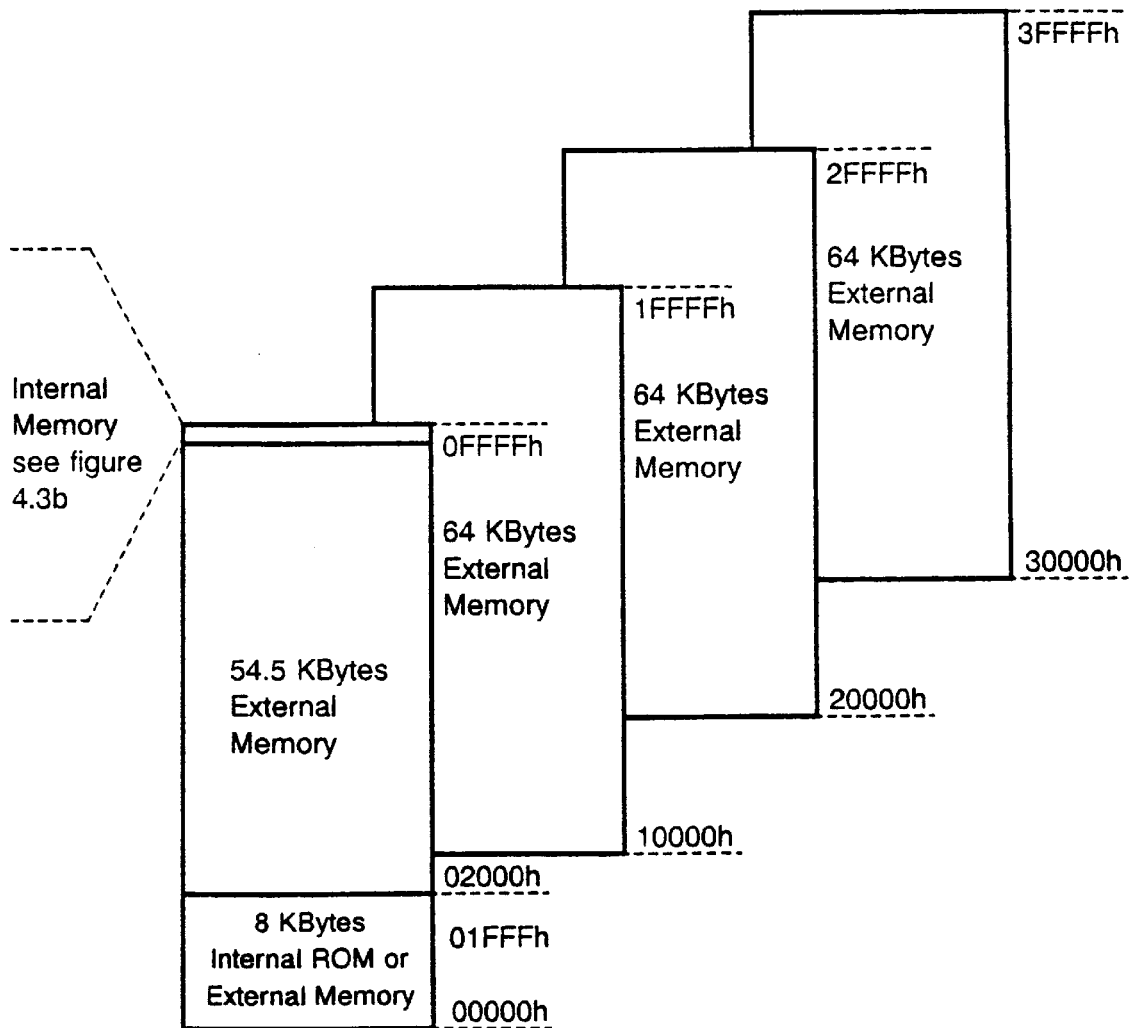
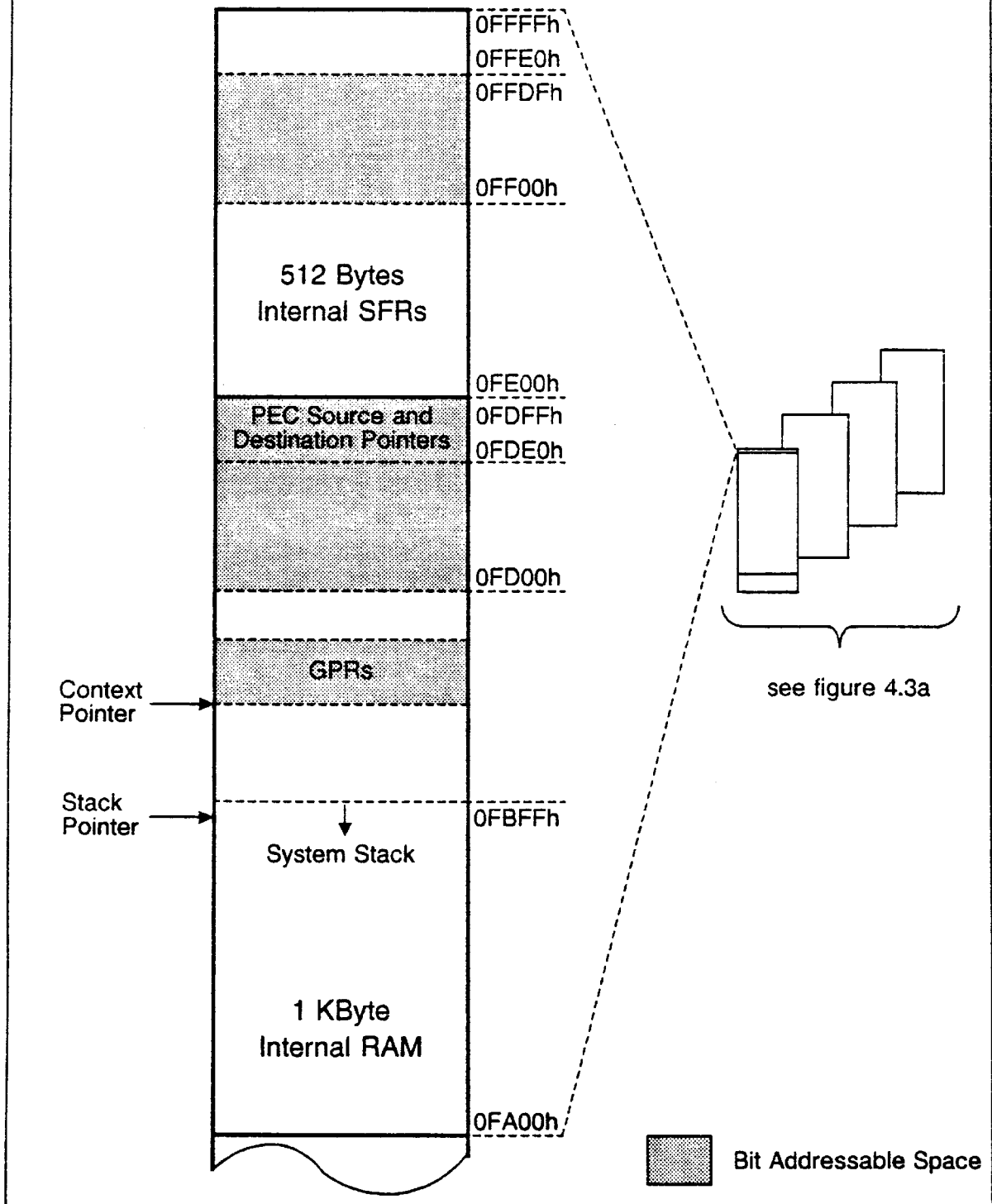


Figure 4.3b
Internal Memory Organization



4.1 Internal ROM

The SAB 80C166 contains 8 Kbytes of on-chip mask-programmable ROM which is organized in 2K-32 bytes. Internal ROM accesses become globally enabled or disabled during reset by means of the external bus configuration pins EBC1 and EBC0, as shown in table 4.2. The selected internal ROM access state is stored in the read-only ROMEN bit in the SYSCON register.

Table 4.2
Internal ROM Access State Selection during Reset

EBC1 Pin	EBC0 Pin	Internal ROM Access
0	0	enabled
0	1	disabled
1	0	disabled
1	1	disabled

The internal ROM can be used for both code and data (constants, tables, etc.) storage. Code accesses are always made on even byte addresses. Thus, the highest possible code storage location in the internal ROM is either 01FFEh for single word instructions or 01FFCh for double word instructions. If used for code storage, the corresponding location must contain a branch instruction, because sequential boundary crossing from the internal ROM to the external memory is not provided and would cause erroneous results.

Word and byte data within in the internal ROM can only be accessed via indirect or long 16-bit addressing modes, provided that the selected DPP register points to data page 0. There is no short addressing mode for internal ROM operands. Any word data access is made to an even byte address. Thus, the highest possible word data storage location in the internal ROM is address 01FFEh. For PEC data transfers, the internal ROM can be accessed independent of the contents of the DPP registers via the PEC source and destination pointers.

The internal ROM is not provided for single bit storage, and thus it is not bit addressable.

Whenever a reset, hardware trap or interrupt occurs, or whenever a software TRAP instruction is executed, and provided that internal ROM accesses are enabled, program execution branches to an implicit internal ROM address independent of the current Code Segment Pointer (CSP) register contents, expecting a jump vector being situated there. For detailed information about the trap and interrupt jump vector table see section 7.1 'Interrupt System Structure'.

4.2 External Memory

Basically, the SAB 80C166 provides for up to 4-64 Kbytes of external ROM and/or RAM which may be organized in either 8 or 16 bits. Since a part of the first 64 Kbytes address space is already occupied by the on-chip memory areas, only 62.5 Kbytes (54.5 Kbytes for the SAB 83C166 with internal ROM enabled) of external memory are really available in segment 0.

The bus mode for external memory accesses is selected during reset by means of the external bus configuration pins, EBC1 and EBC0. According to their logic levels, external memory accesses are either enabled or disabled during reset, as shown in table 4.3. The selected external bus configuration is saved in the BTYP bit field in the SYSCON register. In case of external memory accesses being disabled during reset, they can be enabled later by simply modifying the BTYP bit field via software. If external memory accesses are enabled during reset, the BTYP bit field gets a read-only access state, and thus the external memory access mode selected once can not be changed later.

For further details about the external bus configuration and control see chapter 9.0 "External Bus Interface".

Table 4.3
External Memory Access State Selection during Reset

EBC1 Pin	EBC0 Pin	External Memory Access
0	0	disabled (can be enabled via software)
0	1	enabled
1	0	enabled
1	1	enabled

The external memory can be used for both code and data storage. If the SAB 80C166 segmentation mode is disabled (SGTDIS bit in the SYSCON register contains a '1'), all external memory accesses are restricted to segment 0 only. Code accesses are always made on even byte addresses. Thus, the highest possible external code storage location in segment 0 is either 0F9FEh for single word instructions or 0F9FCh for double word instructions. If used for code storage, the corresponding location must contain a branch instruction, because sequential boundary crossing from the external memory to the internal RAM space is not provided and would cause erroneous results. In any segment other than 0, the highest code storage location is either xFFFEh for single word instructions or xFFFCh for double word instructions (x = 1, 2, 3). If used for code storage, the corresponding location must contain a branch instruction, because segment crossing for program execution is only possible by changing the CSP register contents by means of the particular branch instructions JMPS and CALLS.

External word and byte data can only be accessed via indirect or long 16-bit addressing modes in collaboration with the DPP registers. There is no short addressing mode for external operands. Any word data access is made to an even byte address. Thus, the highest possible word data storage locations in the external memory are address 0F9FEh in segment 0, and addresses xFFFEh in all other segments (x = 1, 2, 3). For PEC data transfers, the external memory in segment 0 can be accessed independent of the contents of the DPP registers via the PEC source and destination pointers.

The external memory is not provided for single bit storage, and thus it is not bit addressable.

Whenever a reset, a hardware trap or an interrupt occurs, or whenever a software TRAP instruction is executed, and provided that internal ROM accesses are disabled, program execution branches to an implicit external memory address independent of the current CSP register contents, expecting a jump vector being situated there. For detailed information about the trap and interrupt jump vector table see section 7.1 'Interrupt System Structure'.

4.3 Internal RAM

The SAB 80C166 contains 1 Kbyte of on-chip dual port RAM which is organized in 512·16 bytes. Internal RAM accesses are always enabled.

The system stack, the General Purpose Registers (GPRs) and the PEC source and destination pointers are situated within the internal RAM space. Additionally, the internal RAM can be used for both code and data storage. The SAB 80C166 assembler supports the reservation of the required internal RAM areas according to the just mentioned particular uses.

Code accesses are always made on even byte addresses. Provided that the PEC source and destination pointers are not required, the highest possible code storage location in the internal RAM is either 0FD FEh for single word instructions or 0FD FCh for double word instructions. If used for code storage, the corresponding location must contain a branch instruction to a memory location other than in the SFR space, because this space is not provided for code execution.

Any word and byte data in the internal RAM can be accessed via indirect or long 16-bit addressing modes if the selected DPP register points to data page 3. Any word data access is made on an even byte address. Provided that the PEC source and destination pointers are not required, the highest possible word data storage location in the internal RAM is address 0FD FEh. For PEC data transfers, the internal RAM can be accessed independent of the contents of the DPP registers via the PEC source and destination pointers.

All system stack operations are implicitly performed by means of the Stack Pointer (SP) register. The GPRs are accessed via short 2-, 4- or 8-bit addressing modes in collaboration with a particular Context Pointer (CP) register. The channel number of a PEC data transfer to be performed determines which PEC source or destination pointers will be implicitly accessed. All of the just mentioned implicit internal RAM accesses are made independent of the current DPP register contents.

The upper portion of the internal RAM (addresses from 0FD00h to 0FDFFh) and the currently active GPRs are provided for single bit storage, and thus they are bit addressable.

The following subsections 4.3.1 through 4.3.3 describe in more detail the organization of the system stack, of the GPRs and of the PEC source and destination pointers.

4.3.1 System Stack

The internal RAM address space from 0FBFFh downward to 0FA00h is basically provided for the SAB 80C166's system stack implementation. The default maximum stack size of 256 words can easily be reduced by changing the stack size (STKSZ) bit field in the SYSCON register, as shown in table 4.4.

Table 4.4
Maximum System Stack Size Selection

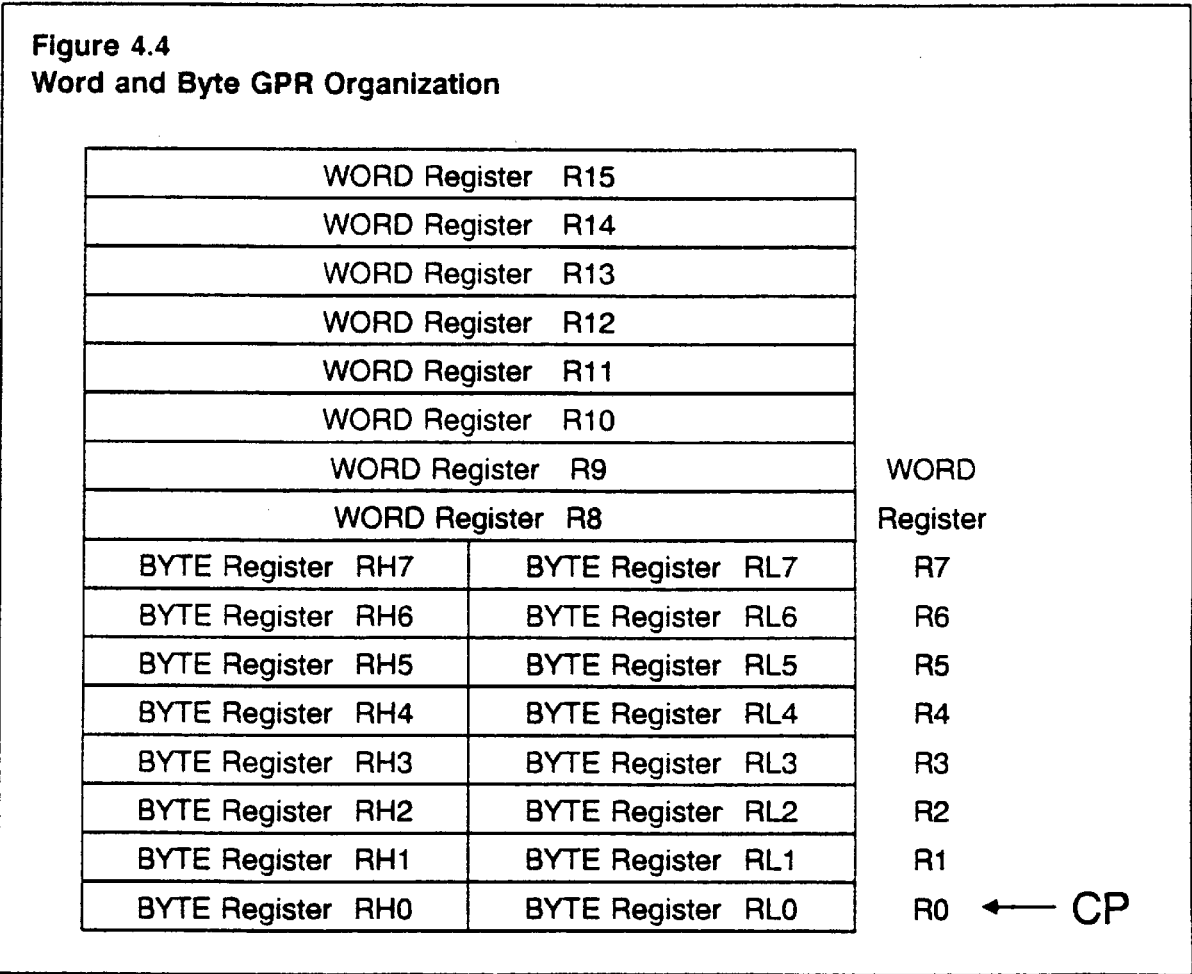
STKSZ	Stack Size (words)	Internal RAM Addresses (In descending order)
00b	256	0FBFFh - 0FA00h (default)
01b	128	0FBFFh - 0FB00h
10b	64	0FBFFh - 0FB80h
11b	32	0FBFFh - 0FBC0h

For all system stack operations, the on-chip RAM is accessed via the Stack Pointer (SP) register. The stack grows downward from higher towards lower RAM address locations. Only word accesses are permitted to the system stack. A stack overflow (STKOV) and a stack underflow (STKUN) register are provided to control when the selected stack area is left. These two stack boundary registers can be used not only for protection against data destruction, but also to implement a circular stack with hardware supported system stack flushing and filling.

For further details about system stack addressing via the SP register and the use of the STKOV and STKUN registers see section 5.3 'CPU Special Function Registers'.

4.3.2 General Purpose Registers

The SAB 80C166's GPRs can basically be situated anywhere within the internal RAM address space (addresses from 0FA00h to 0FDFFh). A particular Context Pointer (CP) register determines the base address of the currently active register bank. This register bank may consist of up to 16 word GPRs (R0, R1, ..., R15) and/or of up to 16 byte GPRs (RL0, RH0, ..., RL7, RH7). The sixteen byte GPRs are mapped onto the first eight word GPRs, as shown in figure 4.4.



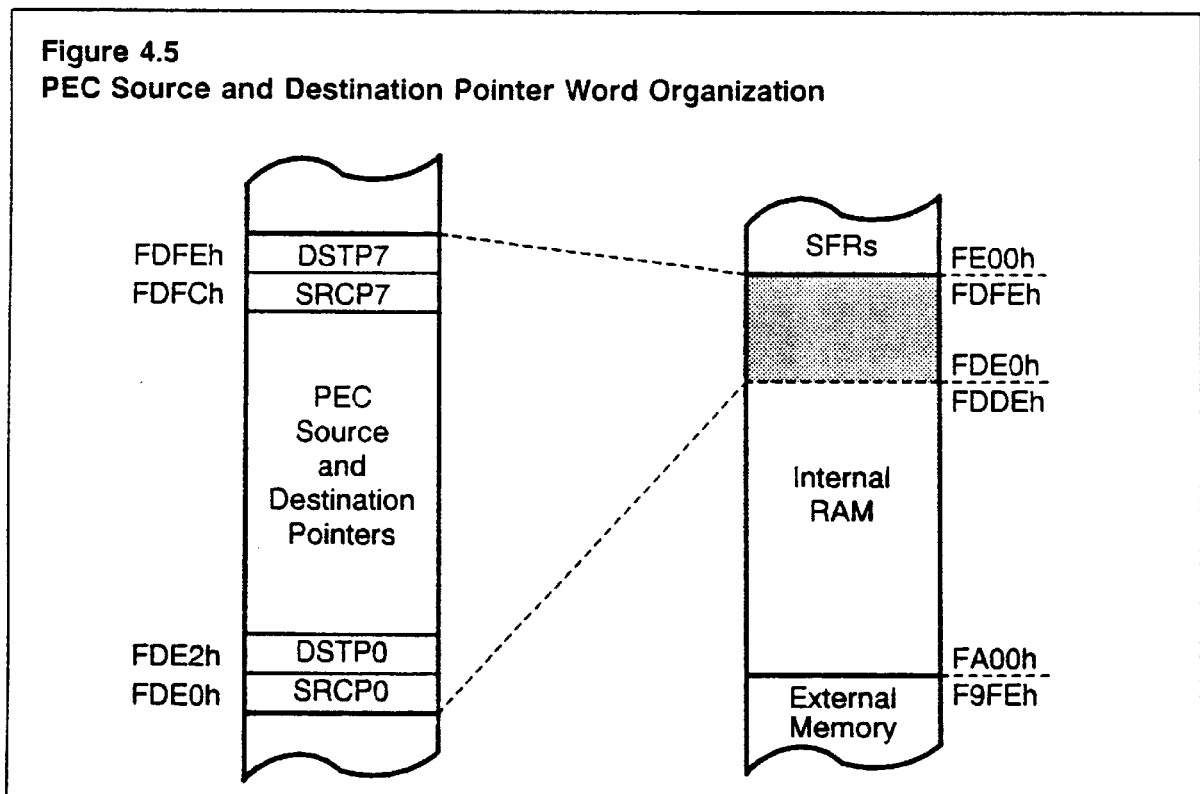
In contrast to the system stack, a register bank grows from lower towards higher address locations and occupies a maximum space of 32 bytes. Short 4- and 8-bit addressing modes in collaboration with the CP register support word or byte GPR accesses regardless of the current DPP register contents. Additionally, each bit in the currently active register bank can be accessed individually.

The SAB 80C166 supports fast register bank (context) switching. Based on that, multiple register banks can physically exist in the internal RAM at the same time. However, only the register bank selected by the CP register is active, and the remaining register banks are inactive at that time. Selecting a new active register bank is simply done by updating the CP register. A particular Switch Context (SCXT) instruction performs register bank switching and an automatic saving of the previous context. Any number of variously sized register banks, only limited by the available internal RAM size, can be implemented simultaneously.

For more details about GPR addressing via the CP register, see the corresponding section 5.3.3. Advanced programming methods for an optimum utilization of the GPRs' features such as Context Switching, Context Packing, Overlapping Register Banks, Local GPRs on the system stack and so on, are described in chapter 12.0 'System Programming'.

4.3.3 PEC Source and Destination Pointers

The upper 16 word locations in the internal RAM (addresses from 0FDE0h to 0FDFEh) are provided as source and destination address pointers for PEC data transfers.



As shown in figure 4.5, a pair of source and destination pointers is stored in two subsequently following word memory locations with the source pointer (SRCPx) on the lower and with the destination pointer (DSTPx) on the higher word address ($x = 0$ to 7). Provided that the intended use of a PEC channel is passed to the SAB 80C166 assembler, the required memory space reservation for the pair of pointers is supported by PES166, the software tool package for the SAB 80C166.

Whenever a PEC data transfer is performed, the pair of source and destination pointers which is selected by the specified PEC channel number is accessed independent of the current DPP register contents. If a PEC channel is not used, the corresponding pointer locations can be used for word, byte or single bit data storage.

For more details about the use of the source and destination pointers for PEC data transfers see section 7.2.2.

4.4 Internal Special Function Registers

The SAB 80C166 provides 512 bytes of on-chip Special Function Register (SFR) space. The SFRs are mapped into the address space from 0FE00h to 0FFFFh.

The SFRs are not provided for general code or data storage, but for data storage dedicated to very particular uses, mainly for controlling CPU, Peripheral and I/O functions. According to the just mentioned control functions, the SFRs are described in detail in one of the chapters 5.0 'CPU', 8.0 'Peripherals', or 10.0 'Parallel Ports'. A table containing a short description, symbolic addresses, physical 18-bit and short 8-bit addresses of the SFRs can be found in appendix B.

Most commonly, an SFR can be accessed wordwise via an implicit base address plus a short 8-bit offset address independent of the current DPP register contents. The low byte portion of an SFR (but not its high byte portion!) can be accessed via these short 8-bit addressing modes. However, provided that the selected DPP register points to data page 3, any high byte, low byte or any word in the SFR memory space can be accessed via an indirect or long 16-bit addressing mode.

The upper portion of the SFR memory space (addresses from 0FF00h to 0FFDFh) contains SFRs with many single flag control functions. Thus, this memory area is directly bit addressable.

Some bits in already existing SFRs and some word locations in the SFR address space have been reserved for a future implementation of additional on-chip peripherals. Any intended write access to such a reserved SFR memory space would be ignored by the machine, and any intended read would supply a read result of '0'.

Note that any **byte** write to an existing SFR causes the non-addressed complementary byte to be cleared.

Some SFRs or parts of them have a restricted access type such as read-only or write-only. For more details, see the functional description of the corresponding SFRs.

5 Central Processing Unit (CPU)

Basic tasks of the CPU are to fetch and decode instructions, to supply operands for the arithmetic and logic unit (ALU), to perform operations on these operands in the ALU, and to store the previously calculated results. Since a four stage pipeline is implemented in the SAB 80C166, up to four instructions can be processed in parallel. Section 5.1 describes how the pipeline works for sequential and branch instructions in general, and which hardware provisions have been made to speed the execution of jump instructions in particular.

With reference to instruction pipelining, most of the SAB 80C166 instructions can be regarded as being executed during one machine cycle (= 100 ns at 40 MHz oscillator frequency). Section 5.2 describes the general instruction timing including standard and exceptional timing.

While internal memory accesses are normally performed by the CPU itself, all of the external memory accesses are performed by a particular on-chip External Bus Controller (EBC) which is automatically invoked by the CPU whenever a code or data address belongs to the external memory space. If possible, the CPU continues operating while an external memory access is in progress. If external data are required but are not yet available, or if a new external memory access is requested by the CPU before a previous access has been completed, the CPU will be held by the EBC until the request can be satisfied. Chapter '9.0' is dedicated to a description of the external bus interface being serviced by the EBC.

The SAB 80C166 peripherals work nearly independent of the CPU with a separate clock generator. An interchange of data and control information between the CPU and the peripherals is done via Special Function Registers (SFRs). Whenever peripherals non-deterministically need a CPU action, an on-chip Interrupt Controller compares all pending peripheral service requests against each other and prioritizes one of them. If the priority of the current CPU operation is less than the priority of the selected peripheral request, an interrupt will occur.

Basically, there are two types of interrupt processing: One type, the so called standard interrupt processing, forces the CPU to save the current program status and the return address on the stack before branching to the interrupt vector jump table. The second type, the so called PEC interrupt processing, steals just one machine cycle from the current CPU activity to perform a single data transfer via the on-chip Peripheral Event Controller (PEC). System errors detected during program execution (so-called hardware traps), or an external non-maskable interrupt are also processed as standard interrupts with a very high priority. For more information about interrupts, PEC data transfers and hardware traps see chapter 7.0.

In contrast to other on-chip peripherals, there is a closer conjunction between the Watchdog Timer and the CPU. If enabled, the Watchdog Timer expects to be serviced by the CPU within a programmable period of time, otherwise it will reset the chip. Thus, the Watchdog Timer is able to prevent the CPU from going totally astray when executing erroneous code. After reset, the Watchdog Timer starts counting automatically, but it can be disabled via software if desired.

By any reset, the CPU is forced into a predefined active state. Further particular CPU states are: The IDLE state where the CPU clock is switched off and the peripheral clocks keep running, and the POWER DOWN state where all of the on-chip clocks are switched off. A transition into an active CPU state is forced by an interrupt if being IDLE, or by a reset if being in POWER DOWN mode, respectively. The IDLE, POWER DOWN and RESET states can be entered by particular SAB 80C166 system control instructions. For more information on these states see chapter 11.0.

Section 5.3 describes the Special Function Registers situated within the CPU core which are all dedicated to particular uses, as follows:

- General System Configuration : **SYSCON**
- CPU Status Indication and Control : **PSW**
- Code Access Control : **IP, CSP**
- Data Paging Control : **DPP0, DPP1, DPP2, DPP3**
- GPRs Access Control : **CP**
- System Stack Access Control : **SP, STKUN, STKOV**
- Multiply and Divide Support : **MDL, MDH, MDC**
- ALU Constants Support : **ZEROS, ONES**

5.1 Instruction Pipelining

As mentioned in the introductory part of this chapter, a four stage instruction pipeline is implemented in the SAB 80C166. This means that instruction processing is partitioned in four stages of which each one has its individual task as follows:

1st -> FETCH: In this stage, the instruction selected by the Instruction Pointer and the Code Segment Pointer is fetched from either the internal ROM, internal RAM, or external memory.

2nd -> DECODE: In this stage, the instructions are decoded, and if required, the operand addresses are calculated and the resulting operands are fetched. For all instructions which implicitly access the system stack, the SP register is either decremented or incremented as specified. For branch instructions, the Instruction Pointer and the Code Segment Pointer are updated with the desired branch target addresses (provided that the branch is taken).

3rd -> EXECUTE: In this stage, an operation is performed on the previously fetched operands in the ALU. Additionally, the condition flags in the PSW register are updated as specified by an instruction. All explicit writes to the SFR memory space and all auto-increment or auto-decrement writes to GPRs used as indirect address pointers are performed during the execute stage of an instruction, too.

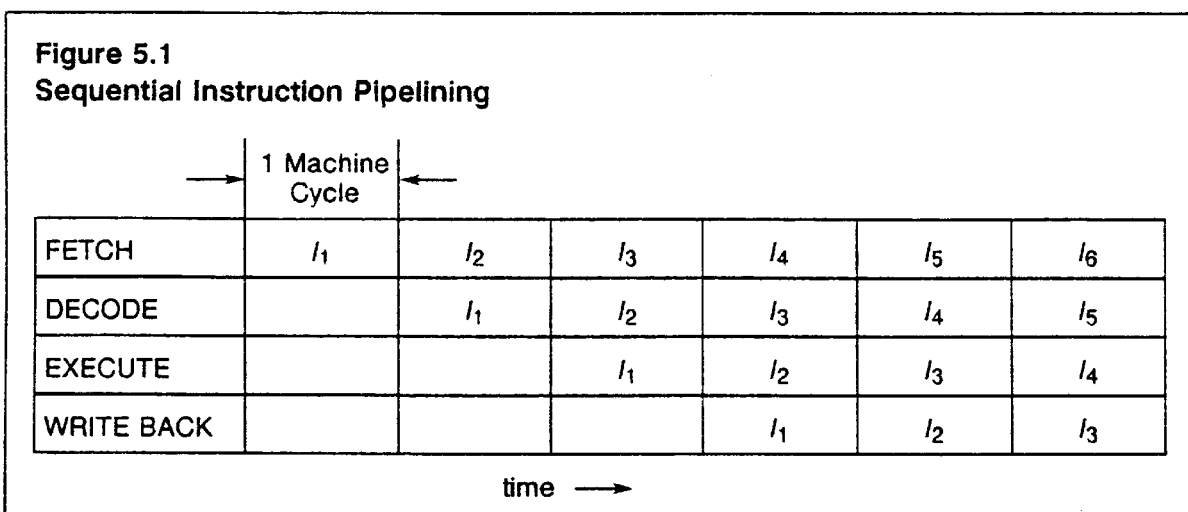
4th -> WRITE BACK: In this stage, all external operands and the remaining operands within the internal RAM space are written back.

A particularity of the SAB 80C166 are the so called injected instructions. These injected instructions are internally generated by the machine to provide the time needed to process instructions which cannot be processed within one machine cycle. They are automatically injected into the decode stage of the pipeline, and then they pass through the remaining stages as every standard instruction. Program interrupts are performed by means of injected instructions, too. Although one will not notice these internally injected instructions in reality, they are introduced here to ease the explanation of the pipeline in the following.

5.1.1 Sequential Instruction Processing

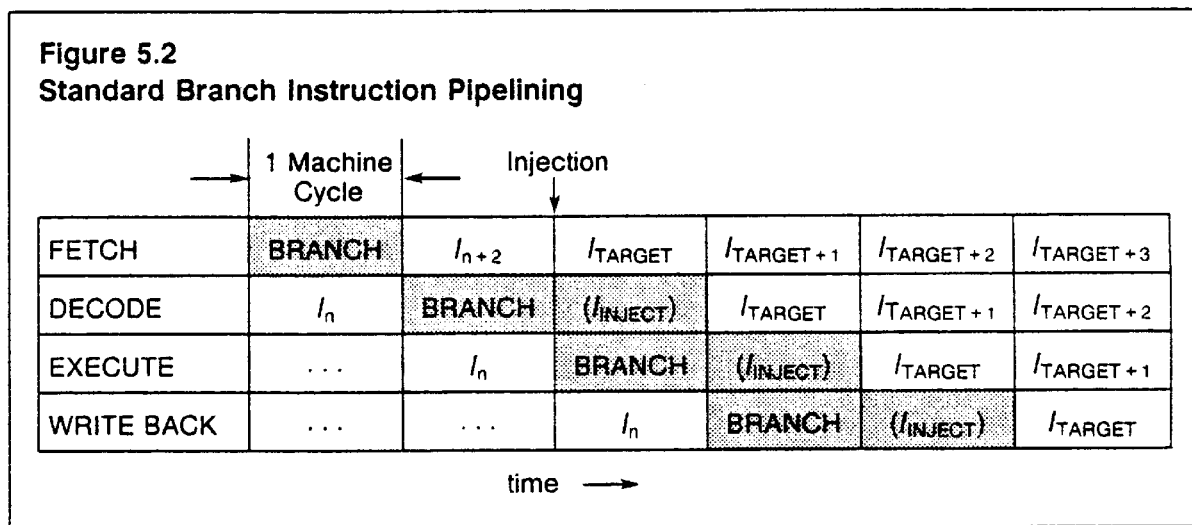
Each single instruction has to pass through each of the four pipeline stages regardless of whether all possible stage operations are really performed or not. Since passing through one pipeline stage takes at least one machine cycle, any single instruction takes at least four machine cycles to be completed. Pipelining, however, allows parallel (this means simultaneous) processing of up to four instructions. Thus, most of the instructions seem to be processed during one machine cycle as soon as the pipeline has been filled once after reset (see figure 5.1).

Instruction pipelining increases the average instruction throughput considered over a certain period of time. In the following, any execution time specification of an instruction always refers to the average execution time due to pipelined parallel instruction processing.



5.1.2 Standard Branch Instruction Processing

Instruction pipelining helps to speed sequential program processing. In the case that a branch is taken, the instruction which has already been fetched providently is mostly not the instruction which must be decoded next. Thus, at least one additional machine cycle is normally required to fetch the branch target instruction. This extra machine cycle is provided by means of an injected instruction as shown in figure 5.2.



If a conditional branch is not taken, there is no deviation from the sequential program flow, and thus no extra time is required. In this case, the instruction after the branch instruction will enter the decode stage of the pipeline at the beginning of the next machine cycle after decode of the conditional branch instruction.

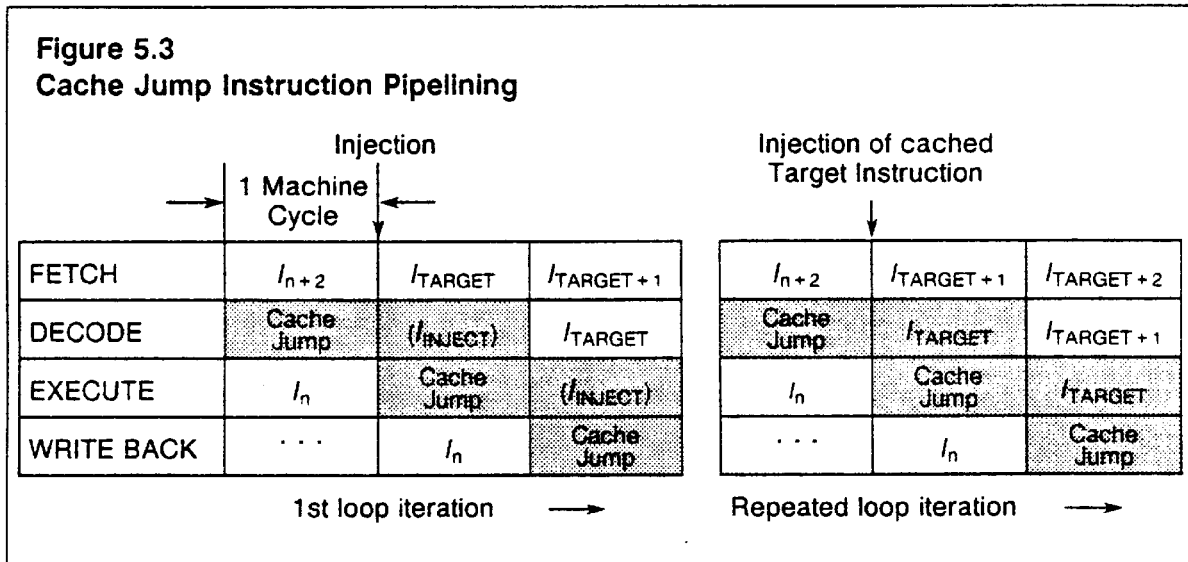
5.1.3 Cache Jump Instruction Processing

A jump cache has been incorporated in the SAB 80C166 as an optimization of conditional jumps which are processed repeatedly within a loop. Whenever a jump on cache is taken, the extra time to fetch the branch target instruction can be saved, and thus the corresponding cache jump instruction in most cases takes only one machine cycle to be performed.

This performance is achieved by the following mechanism. Whenever a cache jump instruction passes through the decode stage of the pipeline for the first time (and provided that the jump condition is met), the jump target instruction is fetched as usual causing a time delay of one machine cycle. In contrast to standard branch instructions, however, the target instruction of a cache jump instruction (JMPA, JMPR, JB, JBC, JNB, JNBS) is additionally stored in a cache after having been fetched.

After each repeatedly following execution of the same cache jump instruction, the jump target instruction is not fetched but taken from the cache and immediately injected into the decode stage of the pipeline (see figure 5.3).

A time saving jump on cache is always taken after the second and any further occurrence of the same cache jump instruction, unless an instruction which has the fundamental capability of changing the CSP register contents (JMPS, CALLS, RETS, TRAP, RETI) or any standard interrupt has been processed during the period of time between two following occurrences of the same cache jump instruction.



5.1.4 Particular Pipeline Effects

Since up to four different instructions are processed simultaneously, additional hardware has been spent in the SAB 80C166 to consider all causal dependencies which may exist on instructions in different pipeline stages without a loss of performance. This extra hardware (i.e. for 'forwarding' operand read and write values) avoids that the pipeline becomes noticeable for the user in most of the cases.

However, there are some very rare cases where one must pay attention to the circumstance that the SAB 80C166 is a pipelined machine. Intelligent SAB 80C166 tools like the simulator and the emulator support the user by easing the association with the following particular pipeline effects.

- **Context Pointer Updating**

An instruction which calculates a physical GPR operand address via the CP register is mostly not capable of using a new CP value which is to be updated by an immediately preceding instruction. Thus, if one surely wants the new CP value to be used, one must put at least one instruction between a CP-changing and a subsequent GPR-using instruction, as shown in the following example:

I_n : SCXT CP, #0FC00h ; select a new context
 I_{n+1} : ; must not be an instruction using a GPR
 I_{n+2} : MOV R0, #dataX ; write to GPR 0 in the new context

• Data Page Pointer Updating

An instruction which calculates a physical operand address via a particular DPPn (n = 0 to 3) register is mostly not capable of using a new DPPn register value which is to be updated by an immediately preceding instruction. Thus, if one surely wants the new DPPn register value to be used, one must put at least one instruction between a DPPn-changing instruction and a subsequent instruction which implicitly uses DPPn via a long or indirect addressing mode, as shown in the following example:

I_n : MOV DPP0, #4 ; select data page 4 via DPP0
 I_{n+1} : ; must not be an instruction using DPP0 (for long or indirect addresses from 0000h to 3FFFh)
 I_{n+2} : MOV 0000h, R1 ; move contents of GPR 1 to address location 10000h (in data page 4) supposed that segmentation is not disabled

• Explicit Stack Pointer Updating

Any of the RET, RETI, RETS, RETP or POP instructions is not capable of correctly using a new SP register value which is to be updated by an immediately preceding instruction. Thus, if one wants the new SP register value to be used without erroneously performed stack accesses, one must put at least one instruction between an explicitly SP-writing and any subsequent of the just mentioned implicitly SP-using instructions, as shown in the following example:

I_n : MOV SP, #0FA40h ; select a new top of stack
 I_{n+1} : ; must not be an instruction popping operands from the system stack
 I_{n+2} : POP R0 ; pop the word value from the new top of stack into GPR 0

• External Memory Access Sequences

The effect described here will only become noticeable if one looks at the external memory access sequences on the external bus (i.e. by means of a Logic Analyzer). Different pipeline stages can simultaneously put a request on the External Bus Controller (EBC). Since the predefined priority of external memory accesses is as follows, 1st Write Data, 2nd Fetch Code, 3rd Read Data, the sequence of instructions processed by the CPU may diverge from the sequence of the corresponding external memory accesses performed by the EBC.

- **Timing**

As already described, instruction pipelining reduces the average instruction processing time in a wide scale (from four to one machine cycles, mostly). However, there are some rare cases where a particular pipeline situation causes a single instruction processing time to be extended either by a half or by one machine cycle. Although this additional time represents only a tiny part of the total program execution time, it might be of interest to avoid these pipeline-caused time delays in time critical program modules.

Besides a general execution time description, section 5.2 provides some hints how one can optimize time-critical program parts with regard to such pipeline-caused timing particularities.

5.2 Instruction State Times

Basically, the time to execute an instruction depends on where the instruction is fetched from, and where possible operands are read from or written to. The fastest processing mode of the SAB 80C166 is to execute a program fetched from the internal ROM. In that case, most of the instructions can be processed within just one machine cycle, which also represents the general minimum execution time.

All of the external memory accesses are performed by the SAB 80C166 on-chip External Bus Controller (EBC) which works in parallel with the CPU. Mostly, instructions from the external memory can not be processed as fast as instructions from the internal ROM, because some data transfers which internally can be performed in parallel, have to be performed sequentially via the external interface. In contrast to internal ROM program execution, the time required to process an external program additionally depends on the length of the instructions and operands, on the selected bus mode, and on the duration of an external memory cycle which is partly selectable by the user.

Processing a program from the internal RAM space is not as fast as execution from the internal ROM area, but it offers a lot of flexibility (i.e., for end-of-line-programming where a program could be loaded into the internal RAM via the chip's serial interface).

The following description allows evaluating the minimum and maximum program execution times. This will be sufficient for most of the requirements. For an exact determination of the instructions' state times, it is recommended to use the facilities provided by the simulator, SIM166, or the emulator, ETA166.

This section is arranged in subsections of which the first one defines the subsequently used time units, the second contains an overview about the minimum (standard) state times of the SAB 80C166 instructions, and the third describes the exceptions from that standard timing.

5.2.1 Time Unit Definitions

The following time units are used to describe the instructions' processing times:

[f_{osc}]: Oscillator frequency (may be variable from 2 MHz to 40 MHz).

[State]: One state time is specified by two times an oscillator period. Henceforth, one State is used as the basic time unit, because it represents the shortest period of time which has to be considered for instruction timing evaluations.

$$1 \text{ [State]} = 2 \cdot 1/f_{osc} \quad [\text{s}] ; \text{ for } f_{osc} = \text{variable}$$

$$= 50 \quad [\text{ns}] ; \text{ for } f_{osc} = 40 \text{ MHz}$$

[ACT]: This ALE (Address Latch Enable) Cycle Time specifies the time required to perform one external memory access. One ALE Cycle Time consists of either two (for a non-multiplexed external bus mode) or three (for a multiplexed external bus mode) state times plus a number of state times which is determined by the number of waitstates programmed in the MCTC (Memory Cycle Time Control) and MTTC (Memory Tristate Time Control) bit fields of the SYSCON register.

In the case of the non-multiplexed external bus mode:

$$1 \cdot \text{ACT} = (2 + (15 - \text{MCTC}) + (1 - \text{MTTC})) \cdot \text{States}$$

$$= 100 \text{ ns} \dots 900 \text{ ns} ; \text{ for } f_{osc} = 40 \text{ MHz}$$

In the case of the multiplexed external bus modes:

$$1 \cdot \text{ACT} = 3 + (15 - \text{MCTC}) + (1 - \text{MTTC}) \cdot \text{States}$$

$$= 150 \text{ ns} \dots 950 \text{ ns} ; \text{ for } f_{osc} = 40 \text{ MHz}$$

The total time (T_{tot}) which a particular part of a program takes to be processed can be calculated by the sum of the single instruction processing times (T_{in}) of the considered instructions plus an offset value of 6 state times which considers the solitary filling of the pipeline, as follows:

$$T_{tot} = T_{I1} + T_{I2} + \dots + T_{In} + 6 \cdot \text{States}$$

The time T_{in} which a single instruction takes to be processed consists of a minimum number (T_{imin}) plus an additional number (T_{ladd}) of instruction state times and/or ALE Cycle Times, as follows:

$$T_{in} = T_{imin} + T_{ladd}$$

5.2.2 Minimum State Times

The following table 5.1 shows the minimum number of state times required to process a SAB 80C166 instruction fetched from the internal ROM (T_{imin} (ROM)). The minimum number of state times for instructions fetched from the internal RAM (T_{imin} (RAM)), or of ALE Cycle Times for instructions fetched from the external memory (T_{imin} (ext)), can also be easily calculated by means of table 5.1.

Central Processing Unit (CPU)

Most of the SAB 80C166 instructions - except some of the branches, the multiplication, the division and a special move instruction - require a minimum of two state times. In the case of internal ROM program execution there is no execution time dependency on the instruction length except for some special branch situations. The injected target instruction of a cache jump instruction can be considered for timing evaluations as if being executed from the internal ROM, regardless of which memory range the rest of the current program is really fetched from.

For some of the branch instructions, table 5.1 represents both the standard number of state times which means that the corresponding branch is taken, and an additional T_{Imin} value in parentheses which refers to the case that either the branch condition is not met or that a cache jump is taken.

Table 5.1
Minimum Instruction State Times

Instruction	T_{Imin} (ROM) [States]	T_{Imin} (ROM) (at 20 MHz CPU clock)	Unit
Any (except the following)	2	100	ns
CALLI, CALLA	4 (2)	200 (100)	ns
CALLS, CALLR, PCALL	4	200	ns
JB, JBC, JNB, JNBS	4 (2)	200 (100)	ns
JMPS	4	200	ns
JMPA, JMPI, JMPR	4 (2)	200 (100)	ns
MUL, MULU	10	500	ns
DIV, DIVL, DIVU, DIVLU	20	1000	ns
MOV[B] Rn, [Rm + #data16]	4	200	ns
RET, RETI, RETP, RETS	4	200	ns
TRAP	4	200	ns

Instructions executed from the internal RAM require the same minimum time as if being fetched from the internal ROM plus an instruction-length dependent number of state times, as follows:

For 2-byte instructions: $T_{Imin}(RAM) = T_{Imin}(ROM) + 4 \cdot \text{States}$

For 4-byte instructions: $T_{Imin}(RAM) = T_{Imin}(ROM) + 6 \cdot \text{States}$

In contrast to the internal ROM program execution, the minimum time $T_{Imin}(ext)$ to process an external instruction additionally depends on the instruction length. $T_{Imin}(ext)$ is either 1 ALE Cycle Time for most of the 2-byte instructions, or 2 ALE Cycle Times for most of the 4-byte instructions. The following formula represents the minimum execution time of instructions fetched from an external memory via a 16-bit wide data bus:

For 2-byte instructions: $T_{\text{Imin}}(\text{ext}) = 1 \cdot \text{ACT} + (T_{\text{Imin}}(\text{ROM}) - 2) \cdot \text{States}$

For 4-byte instructions: $T_{\text{Imin}}(\text{ext}) = 2 \cdot \text{ACTs} + (T_{\text{Imin}}(\text{ROM}) - 2) \cdot \text{States}$

For instructions fetched from an external memory via an 8-bit wide data bus, the minimum number of required ALE Cycle Times is twice the number for a 16-bit wide bus.

5.2.3 Additional State Times

As described in the following, some operand accesses can extend the execution time of an instruction, T_{In} . Since the additional time, T_{Iadd} , is mostly caused by internal instruction pipelining, it often will be possible to evade these timing effects in time-critical program modules by means of a suitable rearrangement of the corresponding instruction sequences. The SAB 80C166 simulator and emulator offer a lot of facilities which support the user in optimizing his program whenever required.

1) Internal ROM operand reads: $T_{\text{Iadd}} = 2 \cdot \text{States}$

Both byte and word operand reads always require 2 additional state times.

2) Internal RAM operand reads via indirect addressing modes: $T_{\text{Iadd}} = 0$ or $1 \cdot \text{State}$

Reading a GPR or any other directly addressed operand within the internal RAM space does NOT cause additional state times. However, reading an indirectly addressed internal RAM operand will extend the processing time by 1 state time if the preceding instruction auto-increments or auto-decrements a GPR as shown in the following example:

```

In      :  MOV R1 , [R0 +]      ; auto-increment R0
In+1    :  MOV [R3], [R2]      ; if R2 points into the internal RAM space:
                               TIadd = 1 · State
    
```

In this case, the additional time can simply be avoided by putting another suitable instruction before the instruction I_{n+1} indirectly reading the internal RAM.

3) Internal SFR operand reads: $T_{\text{Iadd}} = 0, 1 \cdot \text{State}$ or $2 \cdot \text{States}$

Mostly, SFR read accesses do NOT require additional processing time. In some rare cases, however, either one or two additional state times will be caused by particular SFR operations, as follows:

- Reading an SFR immediately after an instruction which writes to the internal SFR space, as shown in the following example:

```

In      :  MOV T0, #1000h      ; write to Timer 0
In+1    :  ADD R3, T1          ; read from Timer 1: TIadd = 1 · State
    
```

- Reading the PSW register immediately after an instruction which implicitly updates the condition flags, as shown in the following example:

I_n : **ADD R0, #1000h** ; implicit modification of PSW flags
 I_{n+1} : **BAND C, Z** ; read from PSW: $T_{ladd} = 2 \cdot \text{States}$

- Implicitly incrementing or decrementing the SP register immediately after an instruction which explicitly writes to the SP register, as shown in the following example:

I_n : **MOV SP, #0FB00h** ; explicit update of the stack pointer
 I_{n+1} : **SCXT R1, #1000h** ; implicit decrement of the stack pointer:
 $T_{ladd} = 2 \cdot \text{States}$

In these cases, the extra state times can be avoided by putting other suitable instructions before the instruction I_{n+1} reading the SFR.

4) External operand reads: $T_{ladd} = 1 \cdot \text{ACT}$

Any external operand reading via a 16-bit wide data bus requires one additional ALE Cycle Time. Reading word operands via an 8-bit wide data bus takes twice as much time (2 ALE Cycle Times) as the reading of byte operands.

5) External operand writes: $T_{ladd} = 0 \cdot \text{State} \dots 1 \cdot \text{ACT}$

Writing of an external operand via a 16-bit wide data bus takes one additional ALE Cycle Time. For timing calculations of external program parts, this extra time must always be considered. The value of T_{ladd} which must be considered for timing evaluations of internal program parts, may fluctuate between 0 state times and 1 ALE Cycle Time. This is because external writes are normally performed in parallel to other CPU operations. Thus, T_{ladd} could already have been considered in the standard processing time of another instruction. Writing a word operand via an 8-bit wide data bus requires twice as much time (2 ALE Cycle Times) as the writing of a byte operand.

6) Testing Branch Conditions: $T_{ladd} = 0$ or $1 \cdot \text{States}$

Mostly, NO extra time is required for conditional branch instructions to decide whether a branch condition is met or not. However, an additional state time will be caused if the preceding instruction writes to the PSW register, as shown in the following example:

I_n : **BSET USR0** ; write to PSW
 I_{n+1} : **JMPR cc_Z, label** ; test condition flag in PSW: $T_{ladd} = 1 \cdot \text{State}$

In this case, the extra state time can simply be intercepted by putting another suitable instruction before the conditional branch instruction.

7) Jumps into the internal ROM space: $T_{ladd} = 0$ or $2 \cdot \text{States}$

As already described, standard jumps into the internal ROM space require 4 state times to be executed. This minimum time will be extended by 2 additional state times, if the branch target instruction is a double word instruction at a non-aligned double word location (xxx2h, xxx6h, xxxAh, xxxEh), as shown in the following example:

```
label : .... ; any non-aligned double word instruction
                (i.e. at location 0FFEh)

.... : ....

In+1 : JMPA cc_UC, label ; if a standard branch is taken:
                Tladd = 2 · States (Tln = 6 · States)
```

A cache jump, which normally requires just 2 state times, will be extended by 2 additional state times if both the cached jump target instruction and its successor instruction are non-aligned double word instructions, as shown in the following example:

```
label : .... ; any non-aligned double word instruction
                (i.e. at location 12FAh)

It+1 : .... ; any non-aligned double word instruction
                (i.e. at location 12FEh)

In+1 : JMPR cc_UC, label ; provided that a cache jump is taken:
                Tladd = 2 · States (Tln = 4 · States)
```

If required, these extra state times can be avoided by allocating double word jump target instructions to aligned double word addresses (xxx0h, xxx4h, xxx8h, xxxCh).

5.3 CPU Special Function Registers

The core CPU requires a set of Special Function Registers (SFRs) to maintain the system state information, to supply the ALU with register-addressable constants and to control system configuration, multiply and divide ALU operations, code memory segmentation, data memory paging, and accesses onto the General Purpose Registers and the System Stack.

The access mechanism for these SFRs in the CPU core is identical to the access mechanism for any other SFR. Since all SFRs can simply be controlled by means of any instruction which is capable of addressing the SFR memory space, a lot of flexibility has been gained, and the need to create a set of system-specific instructions was avoided. Note, however, that there are user access restrictions for some of the CPU core SFRs to ensure proper processor operations.

The PSW, SP, and MDC registers can be modified not only explicitly by the programmer, but also implicitly by the CPU during normal instruction processing. Note that any explicit programmer's write request to an SFR supersedes a simultaneous modification by hardware of the same register.

Note furthermore, that any byte write operation to an SFR clears the non-addressed complementary byte within the specified SFR. Note also that non-implemented (reserved) SFR bits can not be modified, and will always supply a read value of '0'.

5.3.1 SYSCON: System Configuration Register

This bit-addressable register provides general system configuration and control functions. There are four different reset values for the SYSCON register, because the BTYP bit field and the ROMEN bit are initialized during reset dependent on the state of the EBC0 and EBC1 input pins.

5.3.1.1 Internal ROM/External Memory Access Mode Selection (via ROMEN, BTYP)

A two-bit field, BTYP, reflects the selected external bus configuration, as shown in table 5.2.

Table 5.2
External Bus Configuration via the BTYP bit field

BTYP	External Bus Configuration
00b	No external bus configured
01b	16/18-Bit Address, 8-Bit Data, Multiplexed
10b	16/18-Bit Address, 16-Bit Data, Multiplexed
11b	16/18-Bit Address, 16-Bit Data, Non-Multiplexed

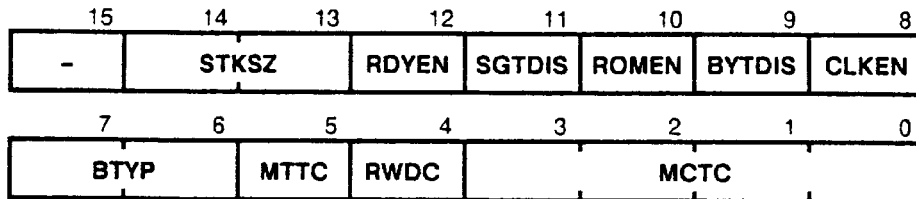
The BTYP bit field is initialized to the state of the EBC1 and EBC0 pins during reset. When an external bus is configured there, BTYP gets a read-only access state, and thus the external bus configuration selected once during reset can not be changed later. In this case, internal ROM accesses are globally disabled which is signified by a '0' in the read-only ROMEN bit. This means that all memory accesses at addresses from 00000h to 01FFFh are made externally. If no external bus has been configured during reset, internal ROM accesses are globally enabled which is signified by a '1' in the ROMEN bit. In this so-called Single Chip Mode, the BTYP bit field stays modifiable to be capable of reconfiguring an external bus by software later. If the ROMEN bit contains a '1', all memory accesses at addresses from 00000h to 01FFFh are made internally.

Note that the selection of a multiplexed external bus configuration automatically extends the Memory Tri-State Time by one state time ($1 \text{ state time} = 2 \cdot 1/f_{\text{osc}}$).

For further information and for examples about the Single Chip Mode and the external bus configuration modes, see section 9.1.

Figure 5.4
System Configuration Register

SYSCON (FF0Ch / 86h) Reset Values: 0400h, 0040h, 0080h or 00C0h



Symbol	Position	Function
MCTC	SYSCON [3..0]	Memory Cycle Time Control. See Subsection 5.3.1.2 for details.
RWDC	SYSCON.4	Read/Write Delay Control. See Subsection 5.3.1.2 for details.
MTTC	SYSCON.5	Memory Tri-state Time Control. See Subsection 5.3.1.2 for details.
BTYP	SYSCON [7..6]	External Bus Configuration Control (read only for ROMless parts). See Subsection 5.3.1.1 for details.
CLKEN	SYSCON.8	System Clock Output (CLKOUT) Enable bit: CLKEN = 0: CLKOUT disabled; pin can be used for normal I/O CLKEN = 1: CLKOUT enabled; pin used for system clock output See Subsection 5.3.1.5 for details.
BYTDIS	SYSCON.9	Byte High Enable (BHE#) pin control bit: BYTDIS = 0: BHE# enabled BYTDIS = 1: BHE# disabled; pin can be used for normal I/O See Subsection 5.3.1.3 for details.
ROMEN	SYSCON.10	Internal ROM Access Enable (Read Only) ROMEN = 0: ROM Accesses disabled ROMEN = 1: ROM Accesses enabled See Subsection 5.3.1.1 for details.
SGTDIS	SYSCON.11	Segmentation Disable control bit: SGTDIS = 0: A16 and A17 enabled; Port 4 used for segment address SGTDIS = 1: A16 and A17 disabled; Port 4 can be used for normal I/O See Subsection 5.3.1.6 for details.
RDYEN	SYSCON.12	READY# Input Enable control bit: RDYEN = 0: READY# disabled; pin can be used for normal I/O RDYEN = 1: READY# enabled; pin used for READY# input See Subsection 5.3.1.4 for details.
STKSZ	SYSCON [14..13]	Maximum System Stack Size Selection of between 32 and 256 words. See Subsection 5.3.1.7 for details.
-	SYSCON.15	(reserved)

5.3.1.2 External Bus Timing Control (via MCTC, MTTC, RWDC)

The MCTC bit field and the MTTC and RWDC bits in the SYSCON register are provided for varying external bus timing parameters as follows. The Memory Cycle Time can be extended within a range from 0 to 15 state times by means of the MCTC bit field (1 state time = $2 \cdot 1/f_{OSC}$). By means of the MTTC bit, the Memory Tri-State time can be extended by either 1 or 0 additional state time. The Memory Tri-State Time is additionally extended by one state time whenever a multiplexed external bus configuration is selected. The RWDC bit allows programming a time delay of either 0 or 0.5 state times between the falling edges of the ALE and the Read/Write signals. This read/write delay does not extend the general memory access time. Note that additional external waitstates do not slow down internal memory accesses. Table 5.3 summarizes the SYSCON control functions for the external bus timing.

**Table 5.3
SYSCON External Bus Timing Control Functions**

Control Parameter	Value	Number of Additional State Times	Affected Time
MCTC	0000b	15	Memory Cycle Time
	0001b	14	
	0010b	13	
	0011b	12	
	0100b	11	
	0101b	10	
	0110b	9	
	0111b	8	
	1000b	7	
	1001b	6	
	1010b	5	
	1011b	4	
	1100b	3	
	1101b	2	
	1110b	1	
1111b	0		
MTTC	0b	1	Memory Tri-State Time
	1b	0	
RWDC	0b	0	Read/Write Signal Delay
	1b	0	
BTYP	00b	-	Memory Tri-State Time (implicit for multiplexed bus configurations)
	01b	1 (implicit)	
	10b	1 (implicit)	
	11b	0	

After reset, the MCTC, MTTC and RWDC are all initialized to 'zero'. Thus, even very slow memories will be accessed correctly.

5.3.1.3 Byte High Enable Pin Control (via BYTDIS)

The BYTDIS bit is provided for controlling the active low Byte High Enable (BHE#) pin. The function of the BHE# pin is enabled if the BYTDIS bit contains a '0'. Otherwise, it is disabled and the pin can be used as standard I/O pin. The BHE# pin is implicitly used by the External Bus Controller to select one of two byte-organized memory chips which are connected with the SAB 80C166 via a word wide-external data bus. After reset, BYTDIS is initialized to 'zero'.

For further information about the use of the BHE# pin see section 9.1.3.

5.3.1.4 Ready Pin Control (via RDYEN)

The RDYEN bit provides an optional Data-Ready function via the active low READY# input pin, to allow an external memory controller or peripherals to determine the duration of an external memory access. The Data-Ready function is enabled by setting the RDYEN bit to '1'. In this case, port pin P3.14 takes on its alternate function as active low READY# input pin. An active low signal on the READY# input pin signifies that data is available and must be latched by the on-chip External Bus Controller. Note, that it is the user's responsibility to set the direction of the READY# pin to input before using this function.

In the case that the Data-Ready function is enabled, the contents of the MCTC bit field are not significant. This means that the external bus timing is only determined by the READY# pin, the MTTC bit, the RWDC bit and by the selected external bus mode.

Warning: If the Data-Ready function is enabled, the READY# input pin must be activated for every external memory access. Otherwise, the system would be halted until a reset occurs. No time-out protection other than a Watchdog Timer overflow is provided for that case.

In order to allow one to interface to a variety of peripherals, support for both asynchronous and synchronous modes of operation is provided. If the Data-Ready function is enabled, bit 0 in the SYSCON register (the low bit of the MCTC bit field) determines whether the READY# input pin is to be used in asynchronous or synchronous mode:

SYSCON.0 = 1: Asynchronous READY# input

SYSCON.0 = 0: Synchronous READY# input

In the asynchronous mode of operation, the READY# input signal is internally synchronized to the microcontroller's operation. In this case, an additional delay of up to two state times may be required in order to internally synchronize the signal.

In the synchronous mode of operation, it is the user's responsibility to ensure that the READY# input signal meets the specified setup and hold times. In order to obtain the necessary timing information and to perform external synchronization, the Clock Output function can be used.

After reset, the Data-Ready function is disabled.

5.3.1.5 Clock Output Pin Control (via CLKEN)

The Clock Output function is enabled by setting the CLKEN bit of the SYSCON register to '1'. If enabled, port pin P3.15 takes on its alternate function as CLKOUT output pin. The Clock Output is a 50 % duty cycle clock whose frequency is half the oscillator frequency ($f_{OUT} = f_{OSC}/2$). For a 40 MHz clock oscillator, the CLKOUT frequency is 20 MHz.

Note that it is the user's responsibility to set the direction of the CLKOUT pin to output and to write a '1' into port latch P3.15 before using this function.

After reset, the Clock Output function is disabled.

5.3.1.6 Non-Segmented Memory Mode Selection (via SGTDIS)

The SGTDIS bit allows selecting either the segmented or non-segmented memory mode. In the case of the non-segmented memory mode (SGTDIS = '1'), the entire address space is restricted to 64 Kbytes (segment 0), and thus all addresses can be represented by 16 bits. Thus, the contents of the CSP register are totally ignored, and only the two least significant bits of the DPP registers are used for physical address generation. This means also that the pins of Port 4 can be used as standard I/O pins.

In the case of the segmented memory mode (SGTDIS = '0'), the CSP and DPP registers are used for the generation of physical 18-bit addresses as described in sections 5.3.4 and 5.3.5. The pins of Port 4 are used as address pins A17 and A16 provided that an external bus has been configured.

Whenever the segmented memory mode is selected, the CSP register is pushed onto the system stack in addition to the IP register before an interrupt service routine is entered, and it is repopped when the interrupt service routine is left again.

After reset, the segmented memory mode is selected by default.

5.3.1.7 Maximum System Stack Size Selection (via STKSZ)

The maximum size of the system stack is directly determined by the two-bit field STKSZ as shown in table 5.4.

Table 5.4
Maximum System Stack Size Selection

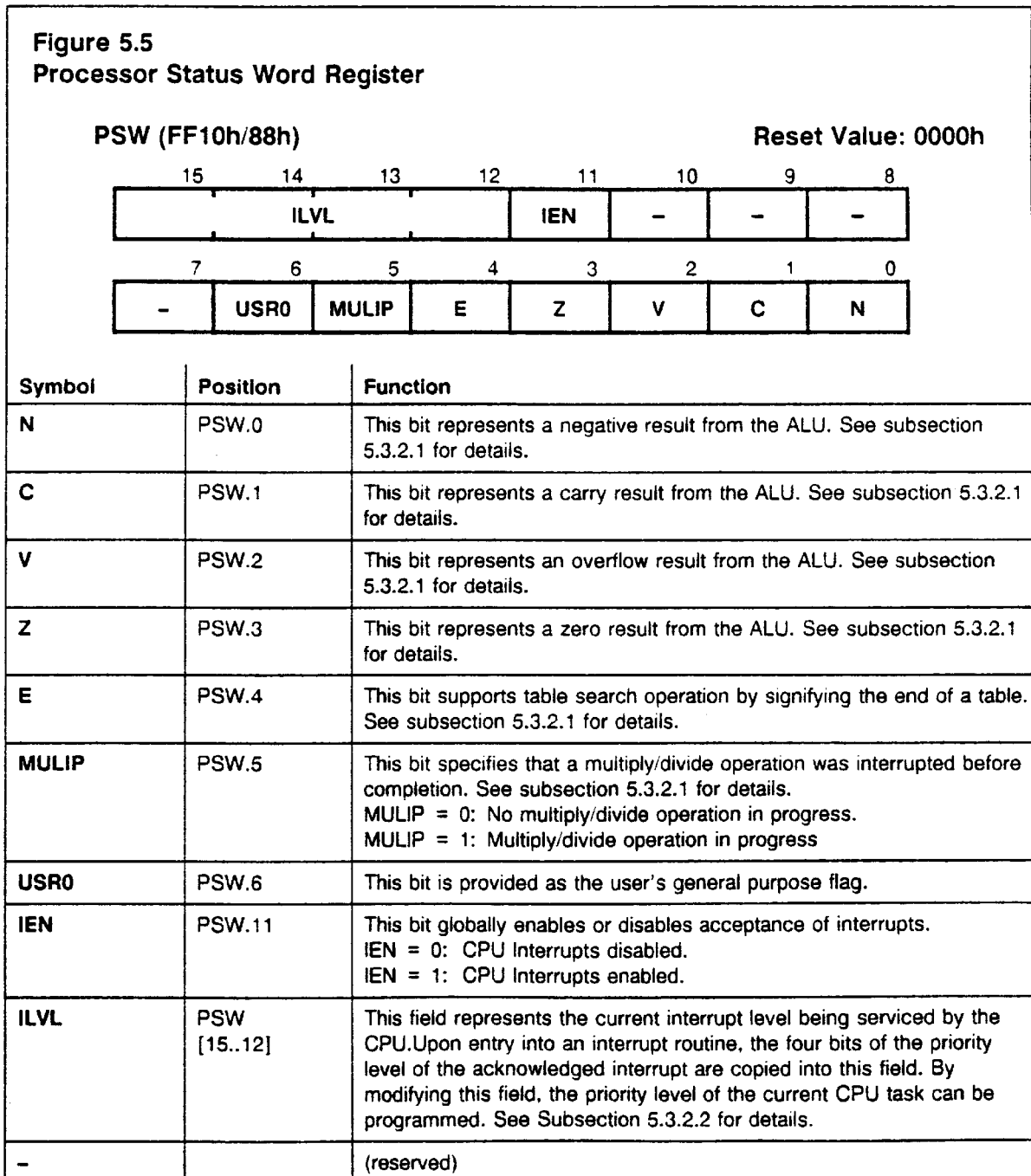
STKSZ	Maximum System Stack Size
00b	256 words
01b	128 words
10b	64 words
11b	32 words

Note that the contents of the STKSZ bit field immediately affect the physical stack address generation via the SP register described in section 5.3.6.

After reset, the maximum stack size of 256 word locations is selected by default.

5.3.2 PSW: Processor Status Word

This bit-addressable register reflects the current state of the microcontroller. It is subdivided into two parts of which the first one contains bits which represent the current ALU status, and the second bits which determine the current CPU interrupt status. A separate bit (USR0) within the PSW register is provided for use as general purpose flag.



5.3.2.1 ALU Status (N, C, V, Z, E, MULIP)

The condition flags of the PSW (N, C, V, Z, E) indicate the ALU status due to the last recently performed ALU operation. They are set by most of the instructions due to specific rules which depend on the ALU or data movement operation performed by an instruction.

After execution of an instruction which explicitly updates the PSW register, the condition flags can not be interpreted as described in the following because any explicit write to the PSW register supersedes the condition flag values which are implicitly generated by the CPU. Explicitly reading the PSW register supplies a read value which represents the state of the PSW register after execution of the immediately preceding instruction.

- **E-Flag:** The E-flag can be altered by instructions which perform ALU or data movement operations. The E-flag is cleared by those instructions which can not be reasonably used for table search operations. In all other cases, the E-flag is set depending on the value of the source operand to signify whether the end of a search table is reached or not. If the value of the source operand of an instruction equals the lowest negative number which is representable by the data format of the corresponding instruction ('8000h' for the word data type, or '80h' for the byte data type) the E-Flag is set to '1', otherwise it is cleared.
- **Z-Flag:** The Z-Flag is normally set to '1' if the result of an ALU operation equals zero, otherwise it is cleared.

For the addition and subtraction with carry, the Z-flag is only set to '1' if the Z-flag already contains a '1', and if the result of the current ALU operation additionally equals zero. This mechanism is provided for the support of multiple precision calculations.

For Boolean bit operations with only one operand, the Z-flag represents the logical negation of the previous state of the specified bit. For Boolean bit operations with two operands, the Z-flag represents the logical NORing of the two specified bits. For the prioritize ALU operation, the Z-flag allows a differentiation of the two cases which cause a result of zero.

- **V-Flag:** For the addition, subtraction and 2's complementation, the V-flag is always set to '1' if the result overflows the maximum range of signed numbers which are representable by either 16 bits for word operations ('-8000h' to '+7FFFh'), or by 8 bits for byte operations ('-80h' to '+7Fh'), otherwise the V-flag is cleared. Note that the result of an integer addition, integer subtraction, or 2's complement is not valid if the V-flag signifies an arithmetic overflow.

For the multiplication and division, the V-flag is set to '1' if the result can not be represented in a word data type, otherwise it is cleared. Note that a division by zero will always cause an overflow. In contrast to the result of a division, the result of a multiplication is valid regardless of whether the V-flag is set to '1' or not.

Since logical ALU operations can not produce an invalid result, the V-flag is cleared by these operations.

The V-flag is also used as 'Sticky Bit' for rotate right and shift right operations. With only using the C-flag, a rounding error caused by a shift right operation can be estimated up to a quantity of one half of the LSB of the result. In conjunction with the V-flag, the C-flag allows evaluating the rounding error with a finer resolution, as shown in table 5.6.

Table 5.6
Shift Right Rounding Error Evaluation

C-Flag	V-Flag	Rounding Error Quantity
0	0	No Rounding Error
0	1	$0 < \text{Rounding Error} < 1/2 \text{ LSB}$
1	0	$\text{Rounding Error} = 1/2 \text{ LSB}$
1	1	$\text{Rounding Error} > 1/2 \text{ LSB}$

For Boolean bit operations with only one operand, the V-flag is always cleared. For Boolean bit operations with two operands, the V-flag represents the logical ORing of the two specified bits.

- **C-Flag:** After an addition, the C-flag indicates that a carry from the most significant bit of the specified word or byte data type has been generated.

After a subtraction or a comparison, the C-flag indicates a borrow which represents the logical negation of a carry for the addition. This means that the C-flag is set to '1' if no carry from the most significant bit of the specified word or byte data type has been generated during a subtraction which is performed internally by the ALU as a 2's complement addition, and the C-flag is cleared when this complement addition caused a carry.

The C-flag is always cleared for logical, multiply and divide ALU operations, because these operations can not cause a carry anyhow.

For the shift and rotate operations, the C-flag represents the value of the bit shifted out last. If a shift count of zero is specified, the C-flag will be cleared. The C-flag is also cleared for a prioritize ALU operation because a '1' is never shifted out of the MSB during the normalization of an operand.

For Boolean bit operations with only one operand, the C-flag is always cleared. For Boolean bit operations with two operands, the C-flag represents the logical ANDing of the two specified bits.

- **N-Flag:** For most of the ALU operations, the N-flag is set to '1' if the most significant bit of the result contains a '1', otherwise it is cleared. In the case of integer operations, the N-flag can be interpreted as the sign bit of the result (negative: N = 1, positive: N = 0). Negative numbers are always represented as the 2's complement of the corresponding positive number. The range of signed numbers extends from '-8000h' to '+7FFFh' for the word data type, or from '-80h' to '+7Fh' for the byte data type.

For Boolean bit operations with only one operand, the N-flag represents the previous state of the specified bit. For Boolean bit operations with two operands, the N-flag represents the logical XORing of the two specified bits.

- **MULIP-Flag:** The MULIP flag will be set to '1' by hardware upon the entrance into an interrupt service routine when a multiply or divide ALU operation was interrupted before completion. Depending on the state of the MULIP bit, the hardware decides whether a multiplication or division must be continued or not at the end of an interrupt service. The MULIP bit is overwritten with the contents of the stacked MULIP-flag when the return-from-interrupt-instruction (RETI) is executed. This normally means that the MULIP-flag is cleared again after that.

After reset, all of the ALU status bits are cleared.

5.3.2.2 CPU Interrupt Status (IEN, ILVL)

The Interrupt Enable bit allows to globally enable (IEN = 1) or disable (IEN = 0) interrupts. The four-bit Interrupt Level field (ILVL) specifies the priority of the current CPU activity. The interrupt level is updated by hardware upon the entry into an interrupt service routine, but it can also be modified by software to prevent other interrupts from being acknowledged. In the case that an interrupt level '15' has been assigned to the CPU, it has the highest possible priority, and thus the current CPU operation can not be interrupted except by hardware traps or external non-maskable interrupts. For details about the SAB 80C166 interrupt system see chapter 7.0.

After reset, all interrupts are globally disabled, and the lowest priority (ILVL = 0) is assigned to the initial CPU activity.

5.3.3 IP: Instruction Pointer

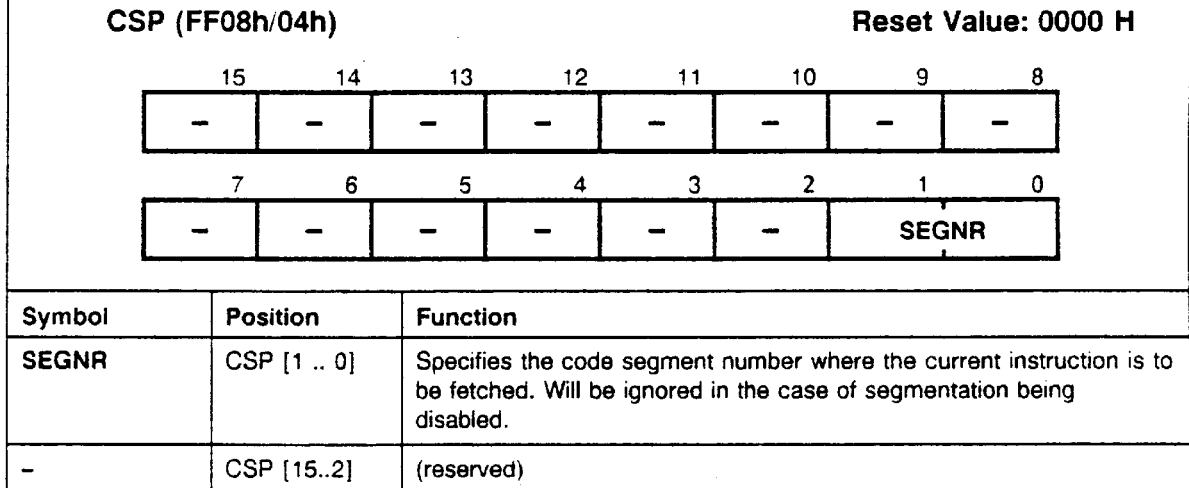
This register determines the 16-bit intra-segment address of the instruction which is currently fetched within the code segment selected by the CSP register. The IP register is not mapped into the SAB 80C166's address space, and thus it is not directly accessible by the programmer. The IP can, however, be modified indirectly via the stack by means of a return instruction.

The IP register is implicitly updated by the CPU for branch instructions and after instruction fetch operations.

5.3.4 CSP: Code Segment Pointer

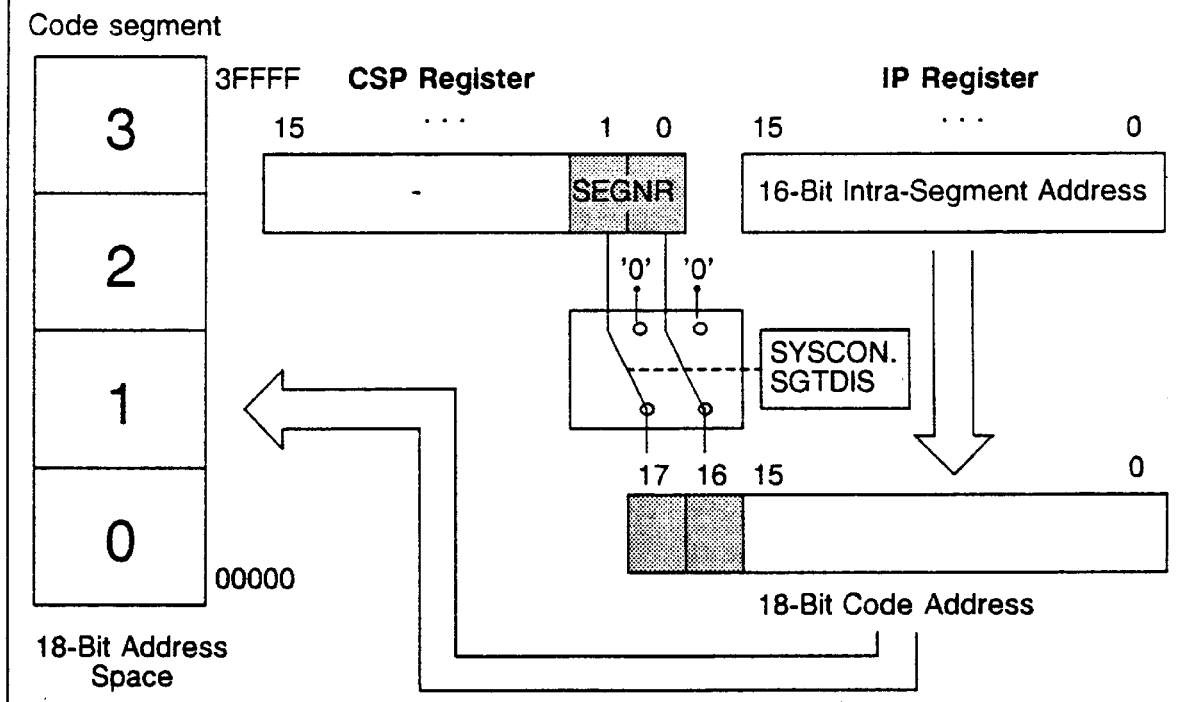
This non-bit addressable register selects the code segment being used at run-time to access instructions. Currently, only two bits of the CSP register are implemented while bits 2 to 15 are reserved for future use. The CSP register allows accessing the entire memory space in currently four segments of 64 Kbytes each.

Figure 5.6
Code Segment Pointer Register



Code memory addresses are generated by directly extending the 16-bit contents of the IP register by the contents of the CSP register as shown in figure 5.7.

Figure 5.7
Addressing via the Code Segment Pointer



In the case of the segmented memory mode, bit 1 and bit 0 of the CSP register are output on the segment address pins A17 and A16 of Port 4 for all external code accesses. For the non-segmented memory mode or the Single Chip Mode, the contents of this register are not significant, because all code accesses are automatically restricted to segment 0.

Note that the CSP register can only be read but not written for data operations. It is, however, modified either directly by means of the JMPS and CALLS instructions, or indirectly via the stack by means of the RETS and RETI instructions. Upon the acceptance of an interrupt or the execution of a software TRAP instruction, the CSP register is automatically set to zero.

After reset, the CSP register is initialized to '0000h'.

5.3.5 DPP0, DPP1, DPP2, DPP3: Data Page Pointers

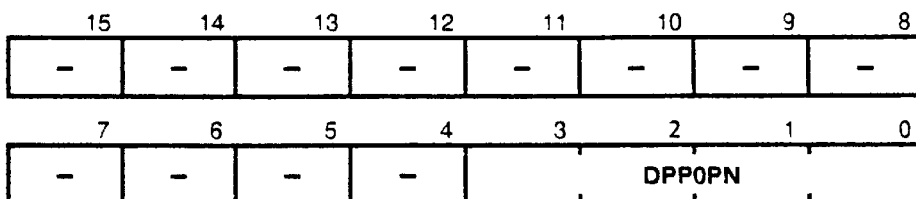
These four non-bit addressable registers select up to four different data pages being active at run-time. Currently, only the four least significant bits of each DPP register are implemented while the bits 4 to 15 are reserved for future use. The DPP registers allow accessing the entire memory space in currently 16 pages of 16 Kbytes each.

The DPP registers are implicitly used whenever data accesses to any memory space are made via indirect or direct long 16-bit addressing modes (except for PEC data transfers). After reset, the Data Page Pointers are initialized in a way that all indirect or direct long 16-bit addresses result in identical 18-bit addresses. This allows accessing data pages 0 to 3 in segment 0 as shown in figure 5.9. If the user does not want to use any data paging, no further action is required.

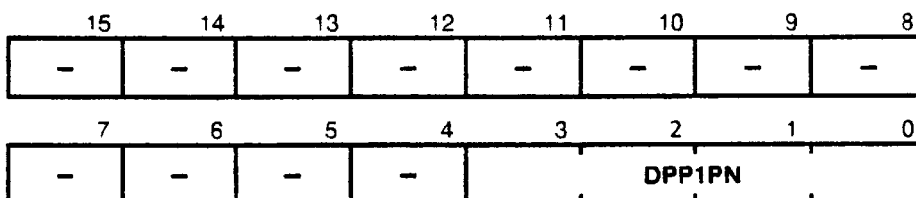
The following figure 5.8 shows the organization of the DPP registers.

Figure 5.8
Data Page Pointer Registers

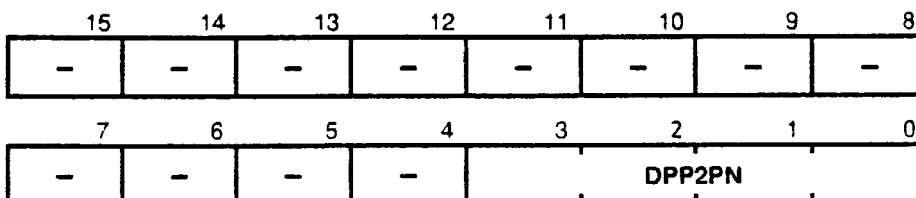
DPP0 (FE00h/00h) Reset Value: 0000h



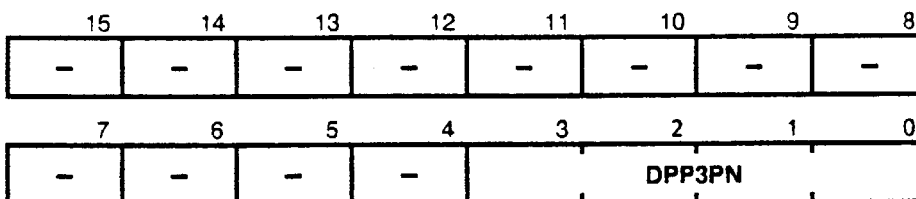
DPP1 (FE02h/01h) Reset Value: 0001h



DPP2 (FE04h/02h) Reset Value: 0002h

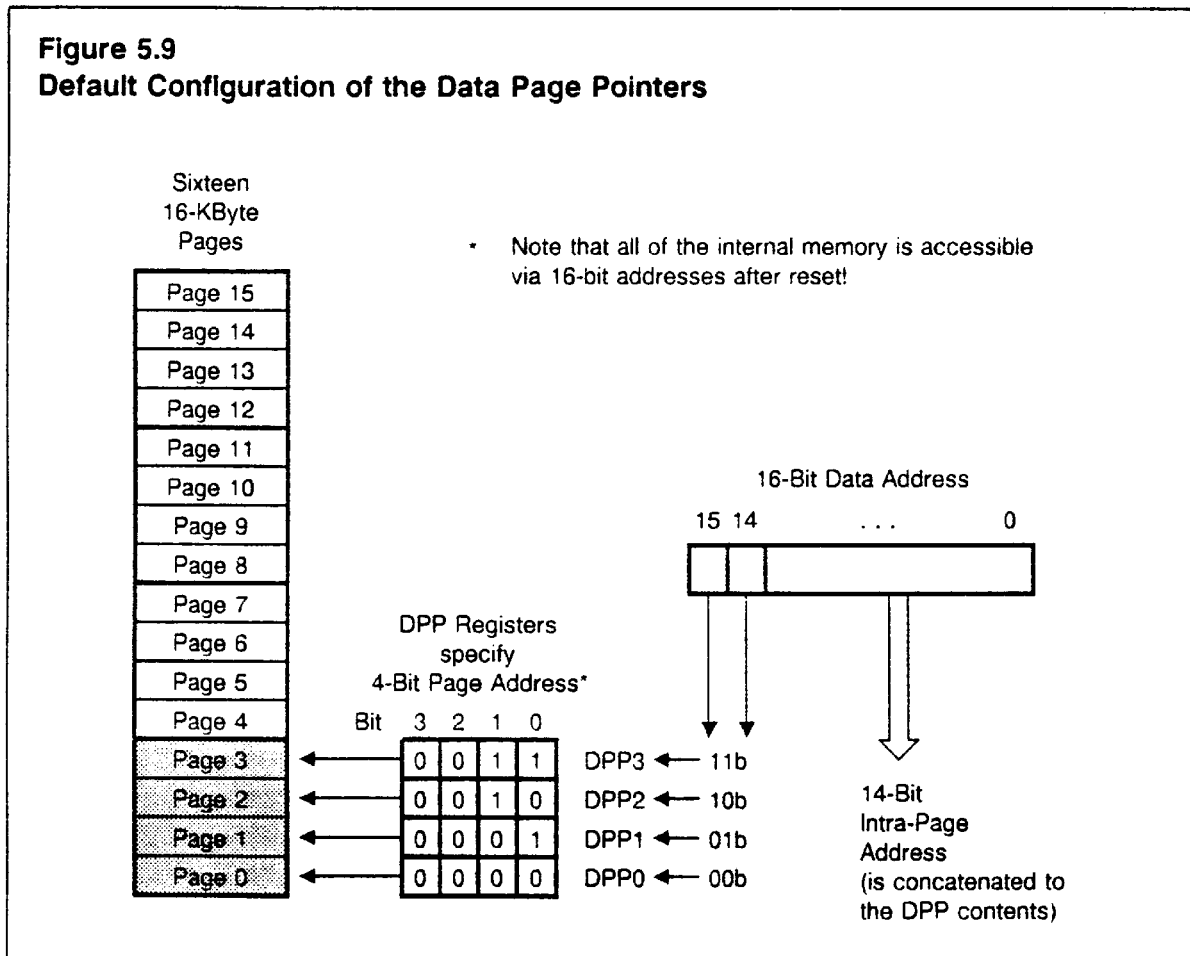


DPP3 (FE06h/03h) Reset Value: 0003h



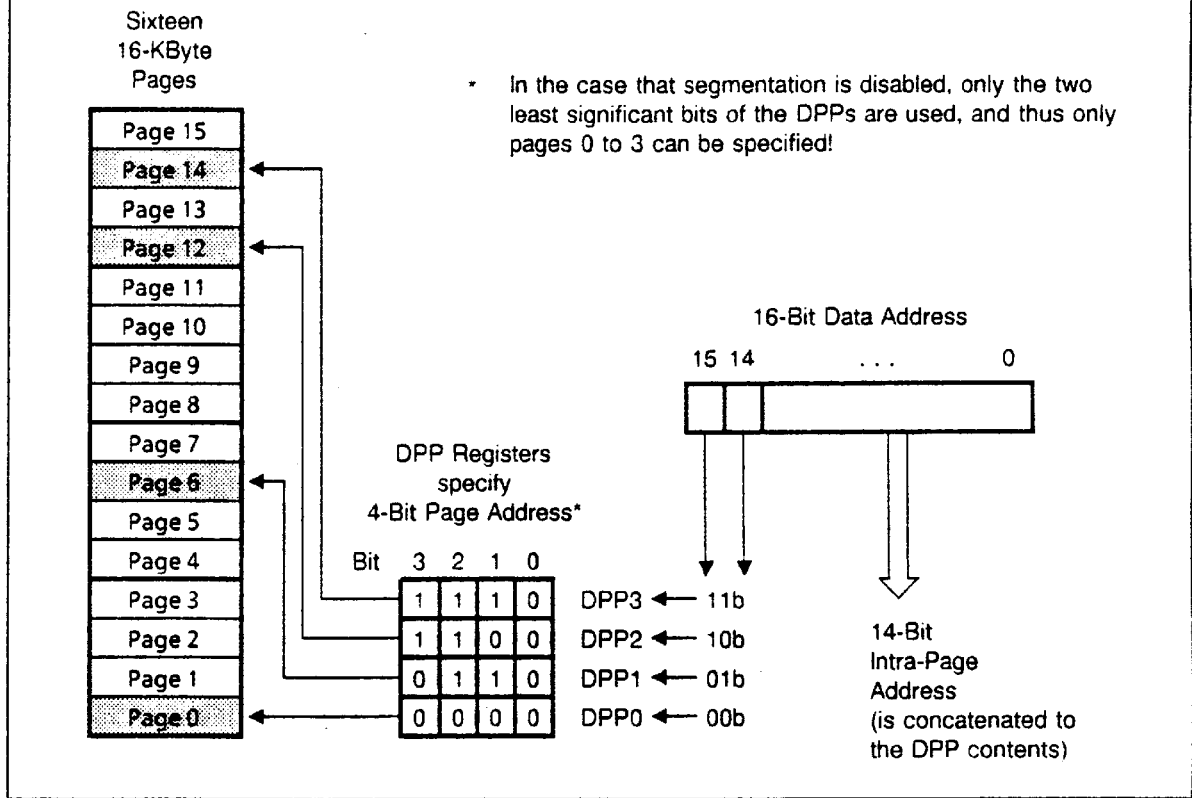
Symbol	Position	Function
DPPxPN (x = 0..3)	DPPx [3..0]	Specifies the data page number selected by DPPx. In the case that segmentation is disabled, only the two least significant bits of DPPxPN are significant!
-	DPPx [15..4]	(reserved)

Figure 5.9
Default Configuration of the Data Page Pointers



Data paging is performed by extending the lower 14 bits of indirect or direct long 16-bit addresses by the contents of a DPP register as shown in figure 5.10. The two MSBs of the 16-bit address are interpreted as the number of the DPP register which is to be used for the address extension. The contents of the selected DPP register specify one of currently sixteen possible data pages. This 4-bit data page number in addition to the remaining 14-bit page offset address forms the physical 18-bit address.

Figure 5.10
Addressing via the Data Page Pointers



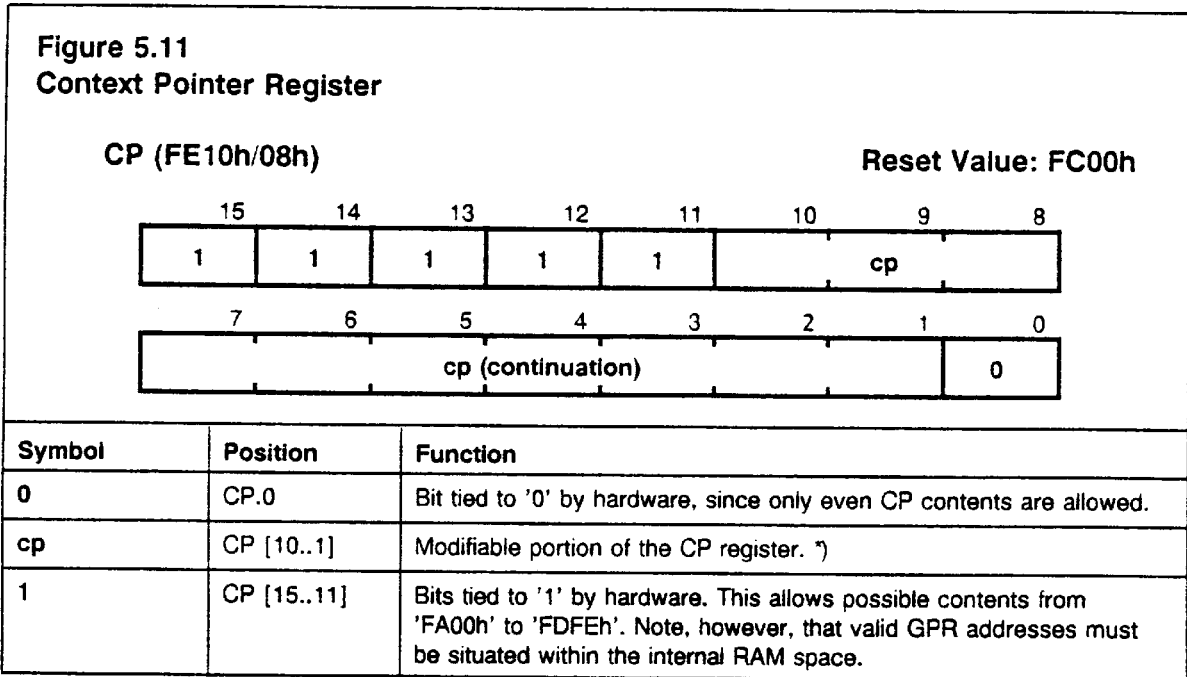
In the case of the non-segmented memory mode, only the two least significant bits of the implicitly selected DPP register are used for the physical address generation just described. Thus, extreme care should be taken when changing a DPP register contents if a non-segmented memory model is selected, because otherwise unexpected results could occur.

In the case of the segmented memory mode, bits 3 and 2 of the implicitly selected DPP register are output on the segment address pins A17 and A16 of Port 4 for all external data accesses.

A DPP register can be updated via any instruction which is capable of modifying an SFR. Due to the internal instruction pipeline, a new DPP value is not yet usable for the operand address calculation of the instruction immediately following the instruction updating the DPP register.

5.3.6 CP: Context Pointer

This non-bit addressable register is used to select the current register context. This means that the CP register value determines the address of the first GPR within a register bank of up to 16 wordwide and/or bytewise GPRs.



Since the least significant bit of the CP register is tied to '0' and bit 10 is tied to the negated state of bit 9 and bits 11 to 15 are tied to '1' by hardware, the CP register can only point to even word addresses from 0FA00h to 0DFFEh. Note however, that it is the user's responsibility that the physical GPR address specified via the CP register in addition with the short GPR address must always be an internal RAM location. If this condition is not met, unexpected results may occur.

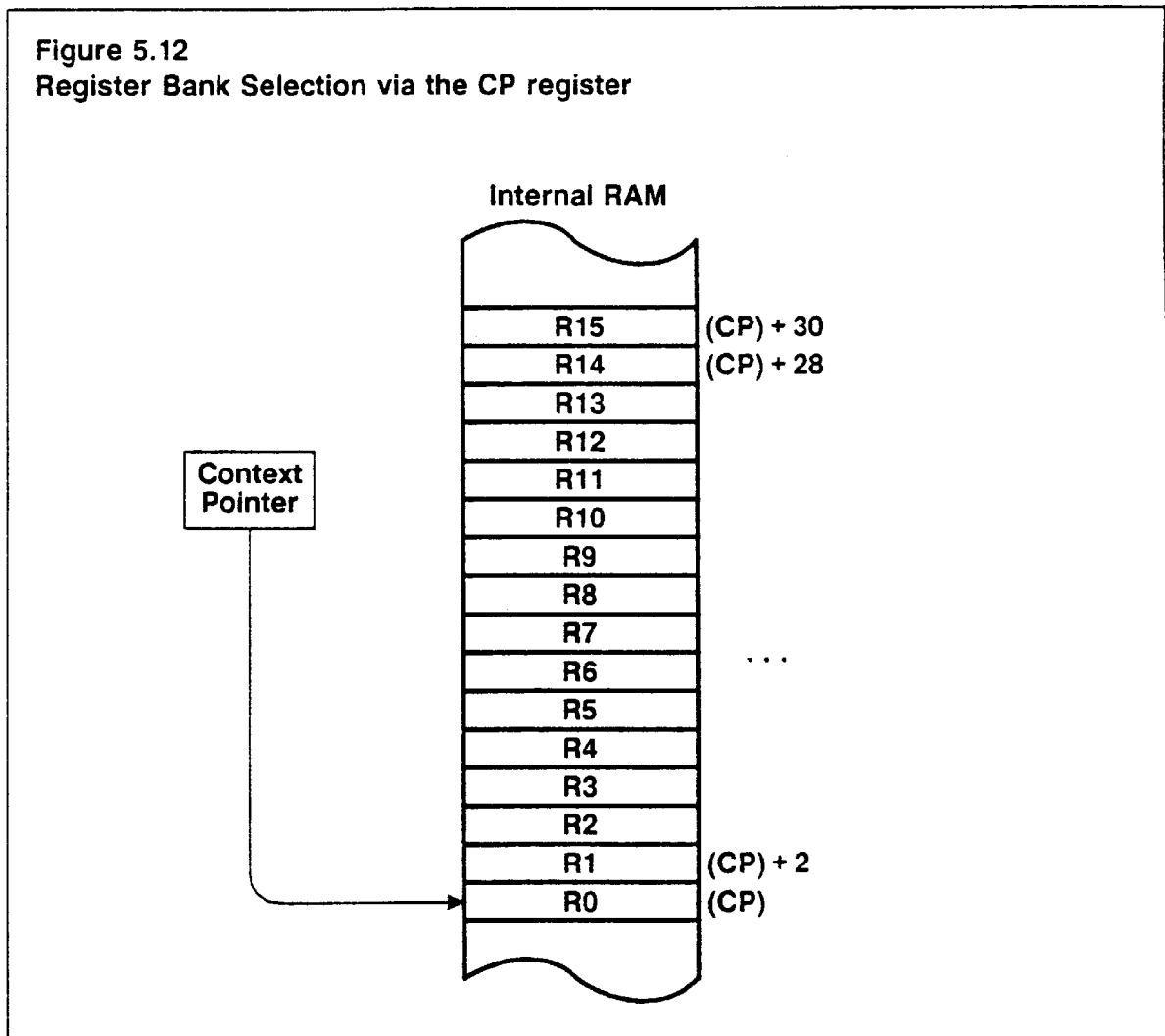
After reset, the CP register is initialized to 'FC00h'.

Figure 5.12 shows how the CP register is used to select a register bank. The CP register can be updated via any instruction which is capable of modifying an SFR. Due to the internal instruction pipeline, a new CP value is not yet usable for GPR address calculations of the instruction immediately following the instruction updating the CP register.

*) Note that bit 10 is always forced to the inverse state of bit 9 by hardware. For software, bit 10 can only be read but not directly be written.

The Switch Context (SCXT) instruction allows saving the contents of the CP register on the stack and updating the CP with a new value in just one machine cycle. The organization of the GPRs within the internal RAM is described in section 4.3.2. For detailed information about the different addressing modes mentioned in the following, see section 6.2.

Figure 5.12
Register Bank Selection via the CP register

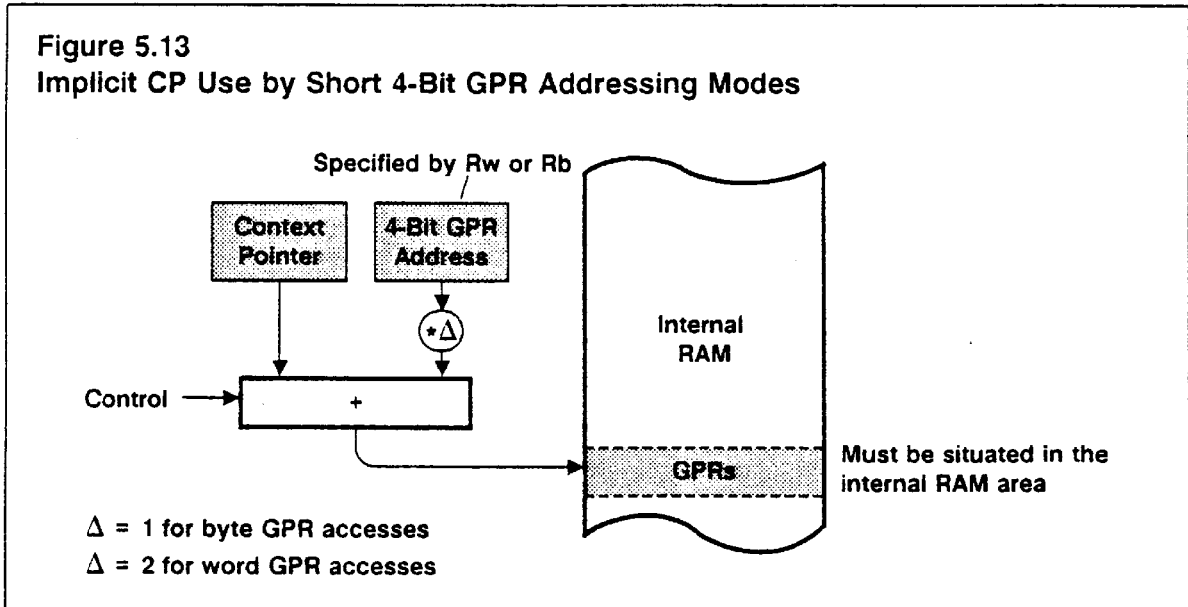


The CP register is implicitly used for address calculations by different addressing modes, as follows.

5.3.6.1 Implicit CP Use with Short 4-Bit GPR Addresses

When a short 4-bit GPR address (mnemonic: R_w or R_b) is used, the four bits specify an address relative to the memory location specified by the contents of the CP register.

Depending on whether a relative word (Rw) or byte (Rb) GPR address is specified, the short 4-bit GPR address is multiplied either by two or by one before it is added to the contents of the CP register as shown in figure 5.13. Thus, both byte and word GPR accesses are possible in this way.



GPRs used as indirect address pointers are always accessed wordwise. For some instructions only the first four GPRs can be used as indirect address pointers. These GPRs are specified via short 2-bit GPR addresses. The respective physical address calculation is identical to that for the short 4-bit GPR addresses.

5.3.6.2 Implicit CP Use with Short 8-Bit Register Addresses

When a short 8-bit address (mnemonic: reg or bitoff) is used, and supposed that the respective value is within a range from F0h to FFh, the four least significant bits are interpreted as short 4-bit GPR address while the four most significant bits are ignored. As shown in figure 5.14, the respective physical GPR address calculation is identical to that for the short 4-bit GPR addresses. For single bit accesses on a GPR, the GPR's word address is calculated as just described, but the position of the bit within the word is specified by a separate additional 4-bit value.

5.3.7 SP: Stack Pointer

This non-bit addressable register is used to point to the top of the internal system stack (TOS). The SP register is pre-decremented whenever data is to be pushed onto the stack, and it is post-incremented whenever data is to be popped from the stack. Thus, the system stack grows from higher toward lower memory locations.

Figure 5.14
Implicit CP Use by Short 8-Bit Addressing
Modes

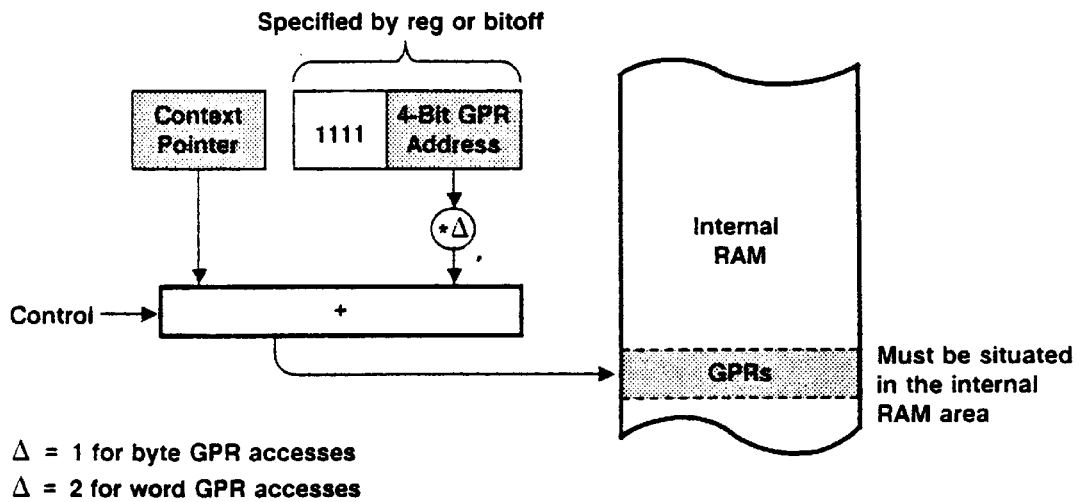
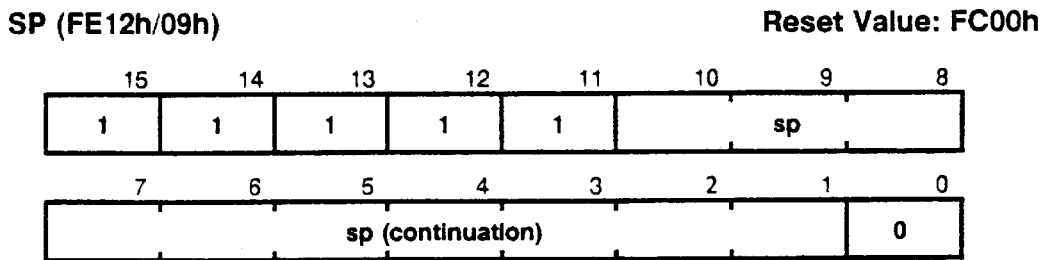


Figure 5.15
Stack Pointer Register



Symbol	Position	Function
0	SP.0	Bit tied to '0' by hardware, because only even SP contents are allowed.
sp	SP [10..1]	Modifiable portion of the SP register.
1	SP [15..11]	Bits tied to '1' by hardware. This allows possible contents from 'F800h' through 'FFFEh'. Note however, that the physical system stack is forced to internal RAM addresses by hardware, as shown in table 5.7.

Since the least significant bit of the SP register is tied to '0' and bits 11 to 15 are tied to '1' by hardware, the SP register can only point to even word addresses from 0F800h to 0FFFEh. After reset, the SP register is initialized to 'FC00h'.

The SP register can be updated via any instruction which is capable of modifying an SFR. Based on the internal instruction pipeline, a POP or RETURN instruction must not immediately follow an instruction updating the SP register.

The maximum system stack size is programmable via the STKSZ bit field in the SYSCON register. The address space which can be addressed via the SP register (addresses from 0F800h to 0FFFEh) can be regarded as virtual stack range while the physical system stack range is forced by the hardware to be situated within the internal RAM with its upper boundary at address 0FBFEh and with its lower boundary at the memory location which is specified by the selected maximum stack size shown in table 5.7. Depending on the selected maximum stack size, different numbers of significant SP bits are used for the physical address calculation while the remaining bits are masked off.

Table 5.7
Selectable Physical System Stack Ranges

SYSCON. (STKSZ)	Physical Stack Space	Size (words)	Significant SP Bits
00b	FA00h - FBFFh	256	0 through 8
01b	FB00h - FBFFh	128	0 through 7
10b	FB80h - FBFFh	64	0 through 6
11b	FBC0h - FBFFh	32	0 through 5

After reset, the SP register is initialized in a way that the system stack can be accessed as usual as long as the dynamic stack boundaries do not exceed the selected maximum stack size. This means that the (virtual) SP contents are directly mapped onto identical physical system stack addresses.

The virtual stack address space is subdivided in portions whose size is identical to the maximum size of the selected physical stack space. All of these virtual stack portions are mapped onto the available physical stack area by means of an address calculation shown in the following: A number of significant bits of the inverted SP contents is subtracted from the upper stack base address, 0FBFEh. An AND mask being changed depending on the STKSZ bit field determines which of the bits are significant.

Physical Stack Address =
FBFEh - (\neg (SP) \wedge 1FEh) ; for 256 words stack size
FBFEh - (\neg (SP) \wedge FEh) ; for 128 words stack size
FBFEh - (\neg (SP) \wedge 7Eh) ; for 64 words stack size
FBFEh - (\neg (SP) \wedge 3Eh) ; for 32 words stack size

The following example demonstrates the circular stack mechanism which is also an effect of this virtual stack mapping: First, register R1 is pushed onto the lowest physical stack location according to the selected maximum stack size. With the following instruction, register R2 will be pushed onto the highest physical stack location although the SP is decremented by 2 as for the previous push operation.

```

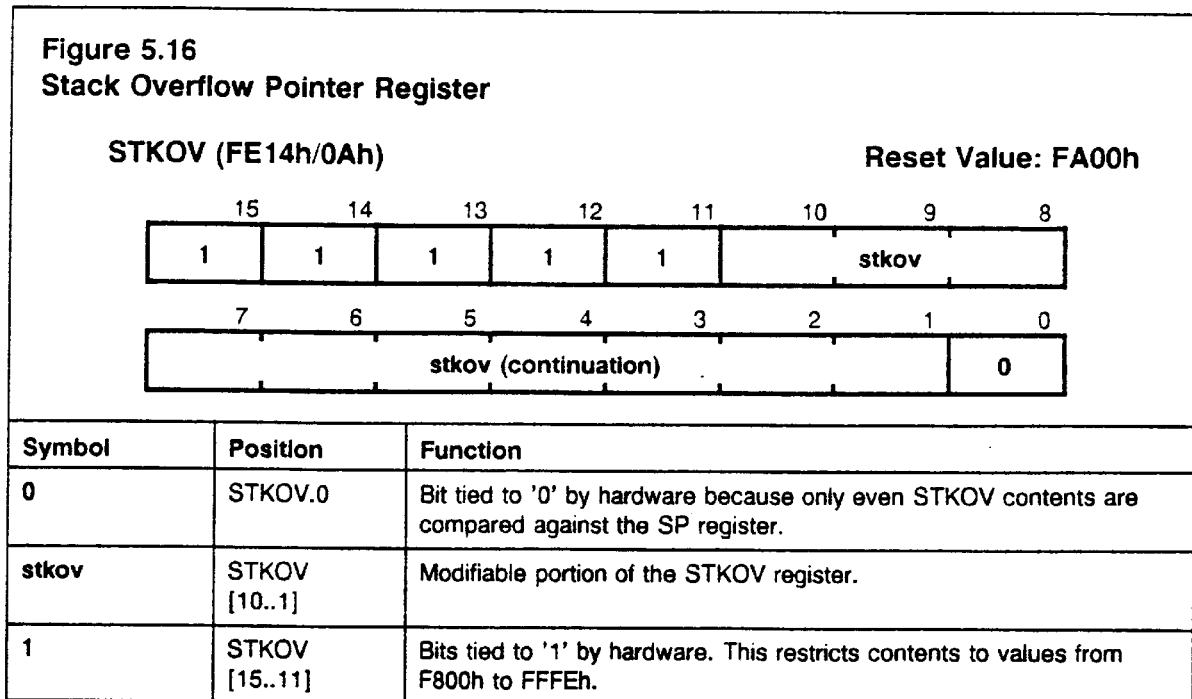
                ; Assumed stack size is 64
                ; Assumed SP content is
...            ; (SP) = FC82h: Physical stack address = FB82h
PUSH R1       ; (SP) = FC80h: Physical stack address = FB80h
PUSH R2       ; (SP) = FC7Eh: Physical stack address = FBFEh
    
```

Upon each stack access, the SP register is compared against two stack boundary registers. This may cause a stack overflow or stack underflow hardware trap to occur. For more details about the use of this feature see the following description of the STKOV and STKUN stack boundary registers.

5.3.8 STKOV: Stack Overflow Pointer

This non-bit addressable register is compared against the SP register after each operation which pushes data onto the system stack (e.g.: PUSH and CALL instructions or interrupts) and after each subtraction from the SP register. If the contents of the SP register are less than the contents of the STKOV register, a stack overflow hardware trap will occur:

Stack Overflow Condition: (SP) < (STKOV)



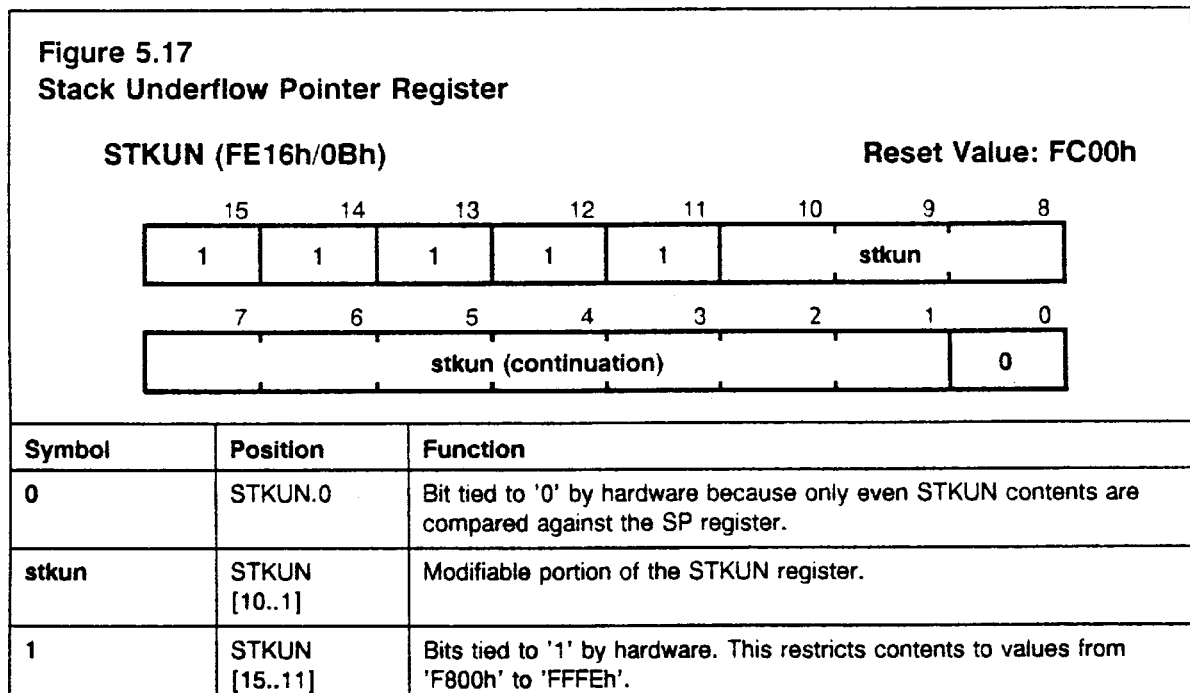
Since the least significant bit of the STKOV register is tied to '0' and bits 11 to 15 are tied to '1' by hardware, the STKOV register can only point to even word addresses from 0F800h to 0FFFEh. After reset, the STKOV register is initialized to 'FA00h'. The default initialization allows treating a stack overflow as a fatal error in the corresponding trap service routine. Note, however, that data in the bottom of the stack may have been overwritten by the status information stacked upon servicing the stack overflow trap.

The stack overflow trap could also be used for automatic system stack flushing when the system stack is used as a 'Stack Cache' for an external user stack. In this case, the STKOV register should be initialized to a value which represents the desired lowest Top of Stack address plus 12 according to the selected maximum stack size. This considers the worst case that will occur when a stack overflow condition is detected just during entry into an interrupt service routine. Then, six additional stack word locations are required for pushing the IP, PSW, and CSP registers for both the interrupt service and the hardware trap service. For more details about the implementation of a stack overflow trap service routine see section 13.4.1.

5.3.9 STKUN: Stack Underflow Pointer

This non-bit addressable register is compared against the SP register after each data pop operation from the system stack (i.e. for POP and RETURN instructions) and after each addition to the SP register. If the contents of the SP register are greater than the contents of the STKUN register, a stack overflow hardware trap will occur:

Stack Underflow Condition: (SP) > (STKUN)

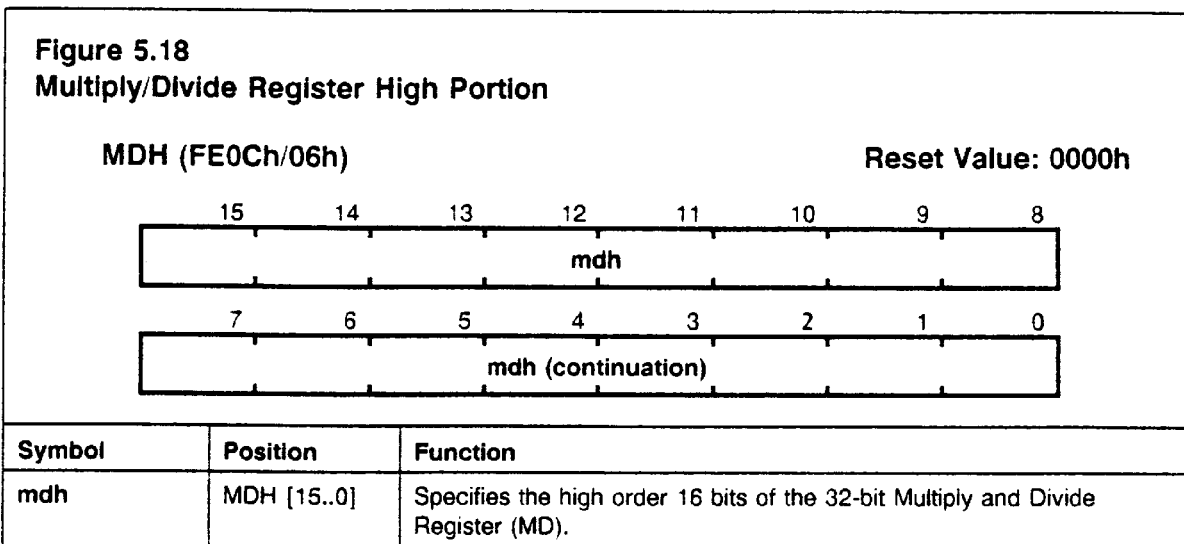


Since the least significant bit of the STKUN register is tied to '0' and bits 11 to 15 are tied to '1' by hardware, the STKUN register can only point to even word addresses from 0F800h through 0FFFEh. After reset, the STKUN register is initialized to 'FC00h'.

A stack underflow trap can be used for an automatic filling of the system stack, for example, when an external user stack is used as a storage extension of the internal system stack. For more details about the implementation of a stack underflow trap service routine see chapter 13.4.1.

5.3.10 MDH: Multiply/Divide Register High Portion

This register is implicitly used by the CPU when it performs a multiplication or a division. After a multiplication, this non-bit addressable register represents the high order 16 bits of the 32-bit result. For long divisions, the MDH register must be loaded with the high order 16 bits of the 32-bit dividend before the division is started. After any division, the MDH register represents the 16-bit remainder.



Whenever this register is updated via software, the Multiply/Divide Register In Use (MDRIU) flag in the Multiply/Divide Control register (MDC) is set to '1'.

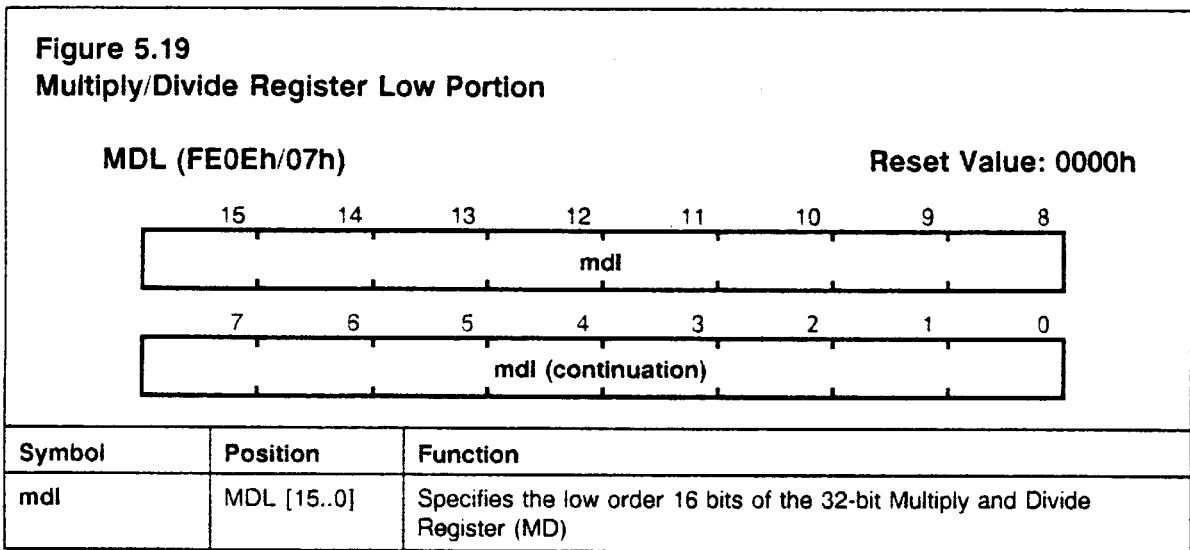
When a multiplication or division is interrupted before its completion and when a new multiply or divide operation is to be performed in the interrupt service routine, the MDH register must be saved along with the MDL and MDC registers to avoid erroneous results.

After reset, this register is initialized to '0000h'.

A detailed description of how to use the MDH register for programming multiply and divide algorithms can be found in section 13.2.

5.3.11 MDL: Multiply/Divide Register Low Portion

This register is implicitly used by the CPU when it performs a multiplication or a division. After a multiplication, this non-bit addressable register represents the low order 16 bits of the 32-bit result. For long divisions, MDL must be loaded with the low order 16 bits of the 32-bit dividend before the division is started. After any division, the MDL register represents the 16-bit quotient.



Whenever this register is updated via software, the Multiply/Divide Register In Use (MDRIU) flag in the Multiply/Divide Control register (MDC) is set to '1'. The MDRIU flag is cleared whenever the MDL register is read via software. When a multiplication or division is interrupted before its completion, and when a new multiply or divide operation is to be performed in the interrupt service routine, the MDL register must be saved along with the MDH and MDC registers to avoid erroneous results.

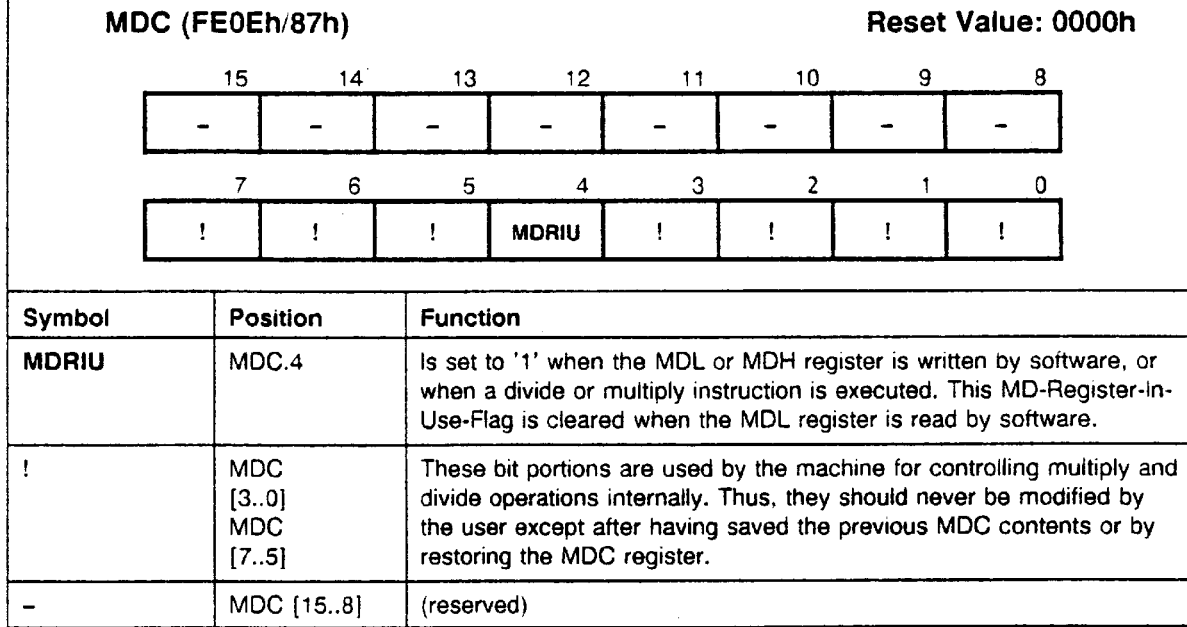
After reset, this register is initialized to '0000h'.

A detailed description of how to use the MDL register for programming multiply and divide algorithms can be found in section 13.2.

5.3.1.2 MDC: Multiply/Divide Control Register

This bit addressable 16-bit register is implicitly used by the CPU when it performs a multiplication or a division. It is used to store the required control information for the corresponding multiply or divide operation. The MDC register is updated by hardware during each single cycle of a multiply or divide instruction.

Figure 5.20
Multiply/Divide Control Register



When a division or multiplication was interrupted before its completion, the MDC register must first be saved along with the MDH and MDL registers (to be able to restart the interrupted operation later), and then it must be cleared to be prepared for the new calculation. After completion of the new division or multiplication, the state of the interrupted multiply or divide operation must be restored.

The MDRIU flag is the only portion of the MDC register which might be of interest for the user. The remaining portions of the MDC register are reserved for a dedicated use by the hardware, and thus they should never be modified by the user other than as described in the preceding paragraph. Otherwise, a correct continuation of an interrupted multiply or divide operation can not be guaranteed.

After reset, this register is initialized to '0000h'.

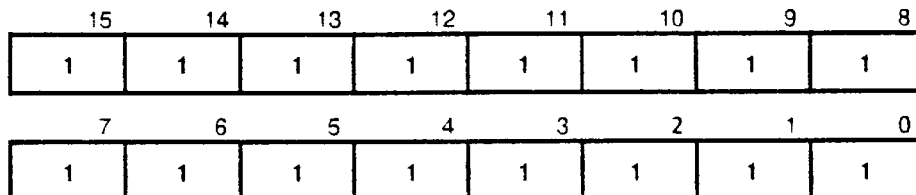
A detailed description of how to use the MDC register for programming multiply and divide algorithms can be found in section 13.2.

5.3.13 ONES: Constant Ones Register

All bits of this bit-addressable register are tied to '1' by hardware. This register is read-only. The ONES register can be used as a register-addressable constant of all ones, i.e., for bit manipulation or mask generation. It can be accessed via any instruction which is capable of addressing an SFR.

Figure 5.21
Constant Ones Register

ONES (FE1Eh/8Fh) Reset Value: FFFFh



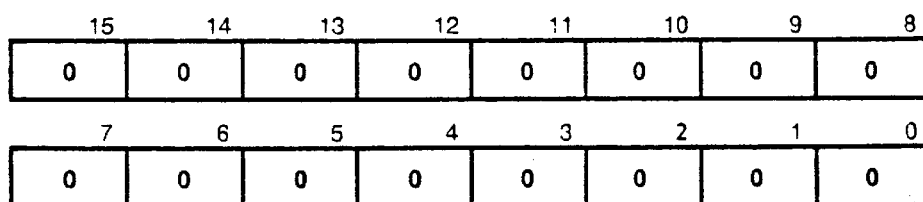
Symbol	Position	Function
1	ONES [15..0]	All of the bits are tied to '1' by hardware. The entire ONES register is read-only.

5.3.14 ZEROS: Constant Zeros Register

All bits of this bit-addressable register are tied to '0' by hardware. This register is read-only. The ZEROS register can be used as a register-addressable constant of all zeros, i.e., for bit manipulation or mask generation. It can be accessed via any instruction which is capable of addressing an SFR.

Figure 5.22
Constant Zeros Register

ZEROS (FF1Ch/8Eh) Reset Value: 0000h



Symbol	Position	Function
0	ZEROS [15..0]	All of the bits are tied to '0' by hardware. The entire ZEROS register is read-only.

6 Instruction Set Overview

This chapter describes the SAB 80C166's instruction set. In the first section, a short overview of all available instructions ordered by particular instruction classes is given. The second section describes which addressing modes can basically be used. Section 6.3 contains a description of the condition codes available for conditional branch instructions.

A detailed description of each single instruction, including its operand data type, condition flag settings, addressing modes, length (number of bytes) and object code format can be found in appendix 'A'.

6.1 Summary of Instruction Classes

This section contains a summary of the SAB 80C166's instruction set subdivided in instruction classes. Mnemonic instruction names refer to the corresponding description in appendix 'A' where one can gain more detailed information.

6.1.1 Arithmetic Instructions

- | | | |
|---|------|-------|
| • Addition of two words or bytes: | ADD | ADDB |
| • Addition with Carry of two words or bytes: | ADDC | ADDCB |
| • Subtraction of two words or bytes: | SUB | SUBB |
| • Subtraction with Carry of two words or bytes: | SUBC | SUBCB |
| • 16/16 bit signed or unsigned multiplication: | MUL | MULU |
| • 16/16 bit signed or unsigned division: | DIV | DIVU |
| • 32/16 bit signed or unsigned division: | DIVL | DIVLU |
| • 1's complement of a word or byte: | CPL | CPLB |
| • 2's complement (negation) of a word or byte: | NEG | NEGB |

6.1.2 Logical Instructions

- | | | |
|---|-----|------|
| • Bitwise ANDing of two words or bytes: | AND | ANDB |
| • Bitwise ORing of two words or bytes: | OR | ORB |
| • Bitwise XORing of two words or bytes: | XOR | XORB |

6.1.3 Boolean Bit Manipulation Instructions

- Manipulation of a maskable bit field in either the high or the low byte of a word: BFLDH BFLDL
- Setting of a bit: BSET
- Clearing of a bit: BCLR
- Movement of a bit: BMOV
- Movement of a negated bit: BMOVN
- ANDing of two bits: BAND
- ORing of two bits: BOR
- XORing of two bits: BXOR
- Comparison of two bits: BCMP

6.1.4 Compare and Loop Control Instructions

- Comparison of two words or bytes: CMP CMPB
- Comparison of two words with post-increment by either 1 or 2: CMPI1 CMPI2
- Comparison of two words with post-decrement by either 1 or 2: CMPD1 CMPD2

6.1.5 Shift and Rotate Instructions

- Shifting right of a word: SHR
- Shifting left of a word: SHL
- Rotating right of a word: ROR
- Rotating left of a word: ROL
- Arithmetic shifting right of a word (sign bit shifting): ASHR

6.1.6 Prioritize Instruction

- Determination of the number of shift cycles required to normalize a word operand (floating point support): PRIOR

6.1.7 Data Movement Instructions

- | | | |
|---|-------|--------|
| • Standard data movement of a word or byte: | MOV | MOVB |
| • Data movement of a byte to a word location with either sign or zero byte extension: | MOVBS | MOVBSZ |

6.1.8 System Stack Instructions

- | | |
|---|------|
| • Pushing of a word onto the system stack: | PUSH |
| • Popping of a word from the system stack: | POP |
| • Saving of a word on the system stack, and then updating the old word with a new value (provided for register bank switching): | SCXT |

6.1.9 Jump and Call Instructions

- | | | | |
|--|-------|-------|------|
| • Conditional jumping to an either absolutely, indirectly, or relatively addressed target instruction within the current code segment: | JMPA | JMPI | JMPL |
| • Unconditional jumping to an absolutely addressed target instruction within any code segment: | JMPS | | |
| • Conditional jumping to a relatively addressed target instruction within the current code segment depending on the state of a selectable bit: | JB | JNB | |
| • Conditional jumping to a relatively addressed target instruction within the current code segment depending on the state of a selectable bit with a post-inversion of the tested bit in case of jump taken (semaphore support): | JBC | JNBS | |
| • Conditional calling of an either absolutely or indirectly addressed subroutine within the current code segment: | CALLA | CALLI | |
| • Unconditional calling of a relatively addressed subroutine within the current code segment: | CALLR | | |
| • Unconditional calling of an absolutely addressed subroutine within any code segment: | CALLS | | |
| • Unconditional calling of an absolutely addressed subroutine within the current code segment plus an additional pushing of a selectable register onto the system stack: | PCALL | | |
| • Unconditional branching to the interrupt or trap vector jump table in code segment 0: | TRAP | | |

6.1.10 Return Instruction

- Returning from a subroutine within the current code segment: RET
- Returning from a subroutine within any code segment: RETS
- Returning from a subroutine within the current code segment plus an additional popping of a selectable register from the system stack: RETP
- Returning from an interrupt service routine: RETI

6.1.11 System Control Instructions

- Resetting the SAB 80C166 by software: SRST
- Entering the Idle mode: IDLE
- Entering the Power Down mode: PWRDN
- Servicing the Watchdog Timer: SRVWDT
- Disabling the Watchdog Timer: DISWDT
- Signifying the end of the initialization routine (pulls RSTOUT# pin high, and disables the effect of any later execution of a DISWDT instruction): EINIT

6.1.12 Miscellaneous

- Null operation which requires 2 bytes of storage and the minimum time for execution: NOP

6.2 Addressing Modes

The SAB 80C166 provides a lot of powerful addressing modes for access on word, byte and bit data, or to specify the target address of a branch instruction. The addressing modes are subdivided in different categories as follows.

6.2.1 Short Addressing Modes

All of these addressing modes use an implicit base offset address to specify a physical 18-bit address. By these addressing modes, data can be specified within the GPR, SFR or bit-addressable memory space:

$$\text{Physical Address} = \text{Base Address} + \Delta + \text{Short Address}$$

Table 6.1
Short Addressing Modes

Mnemonic	Physical Address	Short Address Range	Allows Access On
Rw	(CP) + 2·Rw	Rw = 0...15	GPRs (Word)
Rb	(CP) + 1·Rb	Rb = 0...15	GPRs (Byte)
reg	0FE00h + 2·reg (CP) + 2·(reg ∧ 0Fh) (CP) + 1·(reg ∧ 0Fh)	reg = 00h...EFh reg = F0h...FFh reg = F0h...FFh	SFRs (Word, Low Byte) GPRs (Word) GPRs (Byte)
bitoff	0FD00h + 2·bitoff 0FF00h + 2·bitoff ∧ 0FFh (CP) + 2·(bitoff ∧ 0Fh)	bitoff = 00h...7Fh bitoff = 80h...EFh bitoff = F0h...FFh	RAM Bit Word Offset SFR Bit Word Offset GPR Bit Word Offset
bitaddr	Word offset see bitoff; Immediate Bit Position	bitoff = 00h...FFh bitpos = 0...15	Any Single Bit

In the following, the short addressing modes which are shown in table 6.1 are described in more detail:

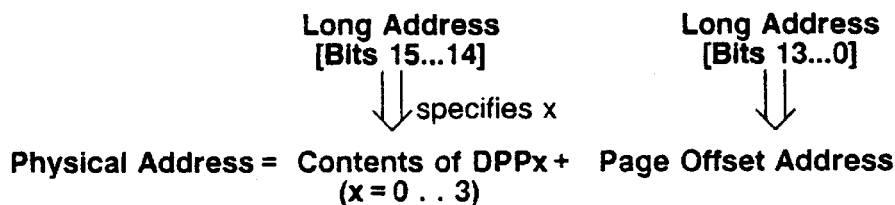
- Rw, Rb:** Specifies direct access to any GPR in the currently active context (register bank). Both 'Rw' and 'Rb' require four bits in the instruction format. The base address is determined by the contents of the CP register. 'Rw' specifies a 4-bit **word** GPR address relative to the base address (CP), while 'Rb' specifies a 4-bit **byte** GPR address relative to the base address (CP).
- reg:** Specifies direct access to any SFR or GPR in the currently active context (register bank). 'reg' requires eight bits in the instruction format. Short 'reg' addresses from 00h to EFh always specify SFRs. In that case, the base address is 0FE00h and the factor 'Δ' equates 2. Depending on the opcode of an instruction, either the total word (for word operations) or the low byte (for byte operations) of an SFR can be addressed via 'reg'. Note that the high byte of an SFR can not be accessed via the 'reg' addressing mode. Short 'reg' addresses from F0h to FFh always specify GPRs. In that case, only the lower four bits of 'reg' are significant for physical address generation, and thus it can be regarded as being identical to the address generation described for the 'Rb' and 'Rw' addressing modes.
- bitoff:** Specifies direct access to any word in the bit-addressable memory space. 'bitoff' requires eight bits in the instruction format. Depending on the specified 'bitoff' range, different base addresses are used to generate physical addresses: Short 'bitoff' addresses from 00h to 7Fh use 0FD00h as a base address, and thus they specify the 128 highest internal RAM word locations (0FD00h to 0FDFFh). Short 'bitoff' addresses from 80h to EFh use 0FF00h as a base address, and thus they specify the highest internal SFR word locations (0FF00h to 0FFDEh).

- bitoff:** Short 'bitoff' addresses from 80h to EFh use 0FF00h as a base address, and thus they specify the highest internal SFR word locations (0FF00h to 0FFDEh). For short 'bitoff' addresses from F0h to FFh, only the lowest four bits and the contents of the CP register are used to generate the physical address of the selected word GPR.
- bitaddr:** Any bit address is specified by a word address within the bit-addressable memory space (see 'bitoff'), and by a bit position ('bitpos') within that word. Thus, 'bitaddr' requires twelve bits in the instruction format.

6.2.2 Long Addressing Mode

This addressing mode uses one of the four DPP registers to specify a physical 18-bit address. Any word or byte data within the entire memory space can be accessed in such a manner. Word accesses may not be performed on odd byte addresses. Otherwise, a hardware trap would occur. After reset, the DPP registers are initialized in a way that all long addresses are directly mapped onto the identical physical addresses.

Any long 16-bit address consists of two portions which are interpreted in different ways. Bits 0 to 13 specify a 14-bit data page offset address while bits 14 to 15 specify that of the four Data Page Pointer registers which is to be used to generate the physical 18-bit address as follows:



At present, the SAB 80C166 supports 256 Kbytes of address space, and thus only the lowest four bits of the selected DPP register contents are added to the 14-bit data page offset address. In case of segmentation being disabled, all data accesses are restricted on segment 0, and thus only the lowest two bits of the selected DPP register are significant at all. For more details about data paging see section 5.3.5.

The long addressing mode is represented by the mnemonic 'mem'. Table 6.2 shows the association between long 16-bit addresses and the corresponding Data Page Pointer registers.

Table 6.2
Long Addressing Mode

Mnemonic	Physical Address	Long Address Range	Allows Access On
mem	(DPP0) + mem ^ 3FFFh	0000...3FFFh	Any Byte or Word
	(DPP1) + mem ^ 3FFFh	4000...7FFFh	"
	(DPP2) + mem ^ 3FFFh	8000...BFFFh	"
	(DPP3) + mem ^ 3FFFh	C000...FFFFh	"

6.2.3 Indirect Addressing Modes

These addressing modes can be regarded as a mixture of short and long addressing modes. This means that long 16-bit addresses are specified indirectly by the contents of a word GPR which is specified directly by a short 4-bit address ('Rw' = 0 to 15). Note that for some instructions only the lowest four word GPRs (R0 to R3) can be used as indirect address pointers which are specified via short 2-bit address in that case. There are indirect addressing modes where the GPR contents are modified by a constant addition before the long 16-bit address is calculated. Moreover, there are addressing modes which allow decrementing or incrementing the indirect address pointers by a data-type-dependent value.

In each case, one of the four DPP registers is used to specify physical 18-bit addresses. Any word or byte data within the entire memory space can be addressed indirectly. Word accesses may not be performed on odd byte addresses. Otherwise, a hardware trap would occur. After reset, the DPP registers are initialized in a way that all indirectly generated long addresses are directly mapped onto the identical physical addresses.

The following algorithm describes how physical addresses are generated via indirect address pointers:

- 1) Determination of the physical address of the word GPR which is used as indirect address pointer. This address is calculated via the register bank base address specified by the CP register contents plus two times the specified short address ('Rw').

$$\text{GPR Address} = (\text{CP}) + 2 \cdot \text{Short Address}$$

- 2) In case of pre-decrement (signified by a leading minus sign '-'), the indirect address pointer is decremented by a data-type-dependent value ($\Delta = 1$ for byte operations, $\Delta = 2$ for word operations) before the long 16-bit address is generated:

$$(\text{GPR Address}) = (\text{GPR Address}) - \Delta ; \text{ optional step!}$$

- 3) Then, the long 16-bit address is determined by the contents of the indirect address pointer (plus a selectable constant value in some cases):

$$\text{Long Address} = (\text{GPR Address}) + \text{Constant}$$

- 4) Afterwards, the physical 18-bit address is determined via the resulting long address and the corresponding DPP register contents as already described for the long 'mem' addressing modes. For more details about data paging, see section 5.3.5.

$$\begin{array}{ccc}
 \text{Long Address} & & \text{Long Address} \\
 \text{[Bits 15...14]} & & \text{[Bits 13...0]} \\
 \downarrow \downarrow \text{specifies } x & & \downarrow \downarrow \\
 \text{Physical Address} = & (\text{DPP Number}) & + \text{Page Offset Address} \\
 & (x = 0 \dots 3) &
 \end{array}$$

- 5) In case of Post-Increment (signified by a subsequent plus sign '+'), the indirect address pointer value is additionally incremented by a data-type-dependent value ($\Delta = 1$ for byte operations, $\Delta = 2$ for word operations):

$$(\text{GPR Address}) = (\text{GPR Address}) + \Delta ; \text{ optional step}$$

The following table 6.3 gives an overview of the particular indirect addressing modes of the SAB 80C166.

Table 6.3
Indirect Addressing Modes

Mnemonic	Particularity
[Rw]	Normally, any word GPR can be used as indirect address pointer. For some instructions, however, only the first four word GPRs can be used as indirect address pointers.
[Rw +]	The specified indirect address pointer is automatically post-incremented by either 1 (for byte data operations) or 2 (for word data operations).
[-Rw]	The specified indirect address pointer is automatically pre-decremented by either 1 (for byte data operations) or 2 (for word data operations).
[Rw + #data16]	A 16-bit constant and the contents of the indirect address pointer are added before the long 16-bit address is calculated.

6.2.4 Constants

The SAB 80C166 instruction set also supports the use of worldwide or byte-wide immediate constants. For an optimum utilization of the available code storage, these constants are represented in the instruction formats by either 3, 4, 8 or 16 bits. Thus, short constants are always zero-extended while long constants are truncated if necessary to match the data format required for the particular operation:

Table 6.4
Data Type Adaption of Immediate Constants

Mnemonic	Word Operation	Byte Operation
#data3	0000h + data3	00h + data3
#data4	0000h + data4	00h + data4
#data16	data16	data16 \wedge 0FFh
#data8	0000h + data8	data8
#mask	0000h + mask	mask

Immediate constants are always signified by a leading number sign '#'.

6.2.5 Branch Target Addressing Modes

Different addressing modes are provided to specify the target address and segment of jump or call instructions. Relative, absolute and indirect modes can be used to update the Instruction Pointer (IP) register while the Code Segment Pointer (CSP) register can be updated only with an absolute value. A special mode is provided to address the interrupt and trap jump vector table which is allocated to the lowest portion of code segment 0.

Table 6.5
Branch Target Addressing Modes

Mnemonic	Target Address	Target Segment	Valid Address Range
caddr	(IP) = caddr	-	caddr = 0...FFFEh
rel	(IP) = (IP) + 2*rel	-	rel = 00h...7Fh
	(IP) = (IP) + 2*(rel + 1)	-	rel = 80h...FFh
[Rw]	(IP) = ((CP) + 2*Rw)	-	Rw = 0...15
seg	-	(CSP) = seg	seg = 0...3
#trap7	(IP) = 0000h + 4*trap7	(CSP) = 0000h	trap7 = 0...7Fh

In the following, the branch target addressing modes are described in more detail:

- caddr:** Specifies an absolute 16-bit code address within the current segment. Branches MAY NOT be taken to odd code addresses. Therefore, the least significant bit of 'caddr' must always contain a '0', otherwise a hardware trap would occur.
- rel:** This mnemonic represents an 8-bit signed word offset address relative to the current Instruction Pointer contents which represent the address of the instruction after the branch instruction. Depending on the offset address range, either forward ('rel' = 00h to 7F) or backward ('rel' = 80h to FFh) branches are possible. According to an either word- or double-word-sized branch instruction, a 'rel' value of '-1' (FFh) or '-2' (FEh) leads to a repeated execution of the branch instruction itself.
- [Rw]:** In this case, the 16-bit branch target instruction address is determined indirectly by the contents of a word GPR. In contrast to indirect data addresses, indirectly specified code addresses are NOT calculated via additional pointer registers (e.g. DPP registers). Note that branches MAY NOT be taken to odd code addresses. Therefore, the least significant bit of the address pointer GPR must always contain a '0', otherwise a hardware trap would occur.
- seg:** Specifies an absolute code segment number. Currently, the SAB 80C166 supports four different code segments, and thus only the two least significant bits of the 'seg' operand value are used for updating the CSP register.
- #trap7:** Specifies a particular interrupt or trap number for branching to the corresponding interrupt or trap service routine via a jump vector table. According to the maximum number of interrupt sources which are provided for the future, only trap numbers from 00h to 7Fh can be specified. Any double word code location in the address range from 00000h to 001FCh in code segment 0 can be accessed by the 'trap' addressing mode. The association between trap numbers and the corresponding interrupt or trap sources is specified in table 7.1.

6.3 Condition Code Specification

16 possible condition codes can be used to determine whether a conditional branch shall be taken or not. Table 6.6 gives an overview of which mnemonic abbreviations are available for that. It also describes which kinds of tests are performed due to the selected condition code, and it shows the association between the condition codes and their internal representation by a four-bit number.

Table 6.6
Condition Codes

Condition Code Mnemonics	Test	Description	CC Number
cc_UC	$1 = 1$	Unconditional	0h
cc_Z	$Z = 1$	Zero	2h
cc_NZ	$Z = 0$	Not zero	3h
cc_V	$V = 1$	Overflow	4h
cc_NV	$V = 0$	No overflow	5h
cc_N	$N = 1$	Negative	6h
cc_NN	$N = 0$	Not negative	7h
cc_C	$C = 1$	Carry	8h
cc_NC	$C = 0$	No carry	9h
cc_EQ	$Z = 1$	Equal	2h
cc_NE	$Z = 0$	Not equal	3h
cc_ULT	$C = 1$	Unsigned less than	8h
cc_ULE	$(Z \vee C) = 1$	Unsigned less than or equal	Fh
cc_UGE	$C = 0$	Unsigned greater than or equal	9h
cc_UGT	$(Z \vee C) = 0$	Unsigned greater than	Eh
cc_SLT	$(N \oplus V) = 1$	Signed less than	Ch
cc_SLE	$(Z \vee (N \oplus V)) = 1$	Signed less than or equal	Bh
cc_SGE	$(N \oplus V) = 0$	Signed greater than or equal	Dh
cc_SGT	$(Z \vee (N \oplus V)) = 0$	Signed greater than	Ah
cc_NET	$(Z \vee E) = 0$	Not equal AND not end of table	1h

7 Interrupt and Trap Functions

The architecture of the SAB 80C166 supports several mechanisms for fast and flexible response to service requests that can be generated from various sources internal or external to the microcontroller. These mechanisms include:

Normal Interrupt Processing

The CPU temporarily suspends the current program execution and branches to an interrupt service routine in order to service an interrupt requesting device. The current program status (IP, PSW, in segmentation mode also: CSP) is saved on the internal system stack. A prioritization scheme with 16 priority levels allows the user to specify the order in which multiple interrupt requests are to be handled.

Interrupt Processing via the Peripheral Event Controller (PEC):

As a faster alternative to normal software oriented interrupt processing, any interrupt requesting source can also be serviced by the SAB 80C166's integrated Peripheral Event Controller. Upon an interrupt request, the PEC has the capability of performing a single word or byte data transfer between any two memory locations in segment 0 (data pages 0 through 3) through one of eight programmable PEC Service Channels. During a PEC transfer, the normal program execution of the CPU is halted for 1 instruction cycle. No internal program status information needs to be saved. For PEC service, the same prioritization scheme is applied which is used for normal interrupt processing. PEC transfers share the 2 highest priority levels.

Trap Functions:

In response to the execution of certain instructions, trap functions are activated. A trap can also be caused externally by the Non-Maskable Interrupt pin NMI#. Several hardware trap functions are provided for handling erroneous conditions and exceptions that arise during the execution of an instruction. Hardware traps always have highest priority and cause immediate system reaction. The software trap function is invoked by the TRAP instruction which generates a software interrupt for a specified interrupt vector. For all types of traps, the current program status is saved on the system stack.

7.1 Interrupt System Structure

In order to support modular and consistent software design techniques, each source of an interrupt or PEC request is supplied with a separate interrupt control register and interrupt vector. The control register contains the interrupt request flag, the interrupt enable bit, and the interrupt priority of the associated source. Each source request is activated by one specific event, depending on the selected operating mode of the respective device. The only exceptions are the two serial channels of the SAB 80C166, where an error interrupt request can be generated by a parity, framing, or overrun error. However, specific status flags which identify the type of error are implemented in the serial channels control registers (see section 8.5 for details).

The SAB 80C166 provides a vectored interrupt system. In this system, certain vector locations in the memory space are reserved for the reset, trap, and interrupt service functions. Whenever a request occurs, the CPU branches to one of these locations which is predetermined by hardware. This allows direct identification of the source that caused the request. The only exceptions are the class B hardware traps, which all share the same vector address. The status flags in the Trap Flag Register TFR can then be used to determine the type of the trap (see section 7.3 for more details). For the special software TRAP instruction, the vector address is specified by the operand field of the instruction, which is a seven bit trap number.

The reserved vector locations of the SAB 80C166's memory space form a jump table. Here, one can place the appropriate jump instructions to the memory locations where the interrupt or trap service routines will actually start. The entries to the jump table are located at the lowest addresses in code segment zero of the memory space. Jump table entries have a distance of 4 bytes between consecutive entries, except for the reset vector and the hardware trap vectors where the distance is 8 or 16 bytes.

The following table 7.1 contains all sources that are capable of requesting interrupt or PEC service in the SAB 80C166, including the associated interrupt vectors and trap numbers. Also listed are the mnemonics of the affected Interrupt Request flags and their corresponding Interrupt Enable flags. The mnemonics are composed of a part that specifies the respective source, followed by a part that specifies their function (IR = Interrupt Request flag, IE = Interrupt Enable flag).

Interrupt and Trap Functions

Table 7.1
Interrupt Sources and Associated Interrupt Vectors

Source of Interrupt or PEC Service Request	Request Flag	Enable Flag	Interrupt Vector	Vector Location	Trap Number
CAPCOM Register 0	CC0IR	CC0IE	CC0INT	40h	10h
CAPCOM Register 1	CC1IR	CC1IE	CC1INT	44h	11h
CAPCOM Register 2	CC2IR	CC2IE	CC2INT	48h	12h
CAPCOM Register 3	CC3IR	CC3IE	CC3INT	4Ch	13h
CAPCOM Register 4	CC4IR	CC4IE	CC4INT	50h	14h
CAPCOM Register 5	CC5IR	CC5IE	CC5INT	54h	15h
CAPCOM Register 6	CC6IR	CC6IE	CC6INT	58h	16h
CAPCOM Register 7	CC7IR	CC7IE	CC7INT	5Ch	17h
CAPCOM Register 8	CC8IR	CC8IE	CC8INT	60h	18h
CAPCOM Register 9	CC9IR	CC9IE	CC9INT	64h	19h
CAPCOM Register 10	CC10IR	CC10IE	CC10INT	68h	1Ah
CAPCOM Register 11	CC11IR	CC11IE	CC11INT	6Ch	1Bh
CAPCOM Register 12	CC12IR	CC12IE	CC12INT	70h	1Ch
CAPCOM Register 13	CC13IR	CC13IE	CC13INT	74h	1Dh
CAPCOM Register 14	CC14IR	CC14IE	CC14INT	78h	1Eh
CAPCOM Register 15	CC15IR	CC15IE	CC15INT	7Ch	1Fh
CAPCOM Timer 0	T0IR	T0IE	T0INT	80h	20h
CAPCOM Timer 1	T1IR	T1IE	T1INT	84h	21h
GPT1 Timer 2	T2IR	T2IE	T2INT	88h	22h
GPT1 Timer 3	T3IR	T3IE	T3INT	8Ch	23h
GPT1 Timer 4	T4IR	T4IE	T4INT	90h	24h
GPT2 Timer 5	T5IR	T5IE	T5INT	94h	25h
GPT2 Timer 6	T6IR	T6IE	T6INT	98h	26h
GPT2 CAPREL Register	CRIR	CRIE	CRINT	9Ch	27h
A/D Conversion Complete	ADCIR	ADCIE	ADCINT	A0h	28h
A/D Overrun Error	ADEIR	ADEIE	ADEINT	A4h	29h
Serial Channel 0 Transmit	S0TIR	S0TIE	S0TINT	A8h	2Ah
Serial Channel 0 Receive	S0RIR	S0RIE	S0RINT	ACH	2Bh
Serial Channel 0 Error	S0EIR	S0EIE	S0EINT	B0h	2Ch
Serial Channel 1 Transmit	S1TIR	S1TIE	S1TINT	B4h	2Dh
Serial Channel 1 Receive	S1RIR	S1RIE	S1RINT	B8h	2Eh
Serial Channel 1 Error	S1EIR	S1EIE	S1EINT	BCh	2Fh

Interrupt and Trap Functions

The vector locations for hardware traps and the corresponding status flags in register TFR are listed in table 7.2. Also listed are the priorities of trap service in case simultaneous trap conditions might be detected within the same instruction. After any reset (hardware reset, software reset instruction SRST, or reset by watchdog timer overflow), program execution starts from location 0000h. Reset conditions have priority over every other system activity and therefore have the highest priority (trap priority III). For more details on reset refer to chapter 11.

Software traps may be performed to any vector location between 0h and 1FCh. A routine entered by a software TRAP instruction is always executed on the current CPU priority level which is indicated in the ILVL field in the PSW. This means that routines entered via the software TRAP instruction can be interrupted by all hardware traps or higher level interrupt requests.

Table 7.2
Reset and Trap Vector Locations

Exception Condition	Trap Flag	Trap Vector	Vector Location	Trap Number	Trap Priority
Reset Functions:					
Hardware Reset	-	RESET	0h	0h	III
Software Reset	-	RESET	0h	0h	III
Watchdog Timer Overflow	-	RESET	0h	0h	III
Class A Hardware Traps:					
Non-Maskable Interrupt	NMI	NMITRAP	08h	2h	II
Stack Overflow	STKOF	STOTRAP	10h	4h	II
Stack Underflow	STKUF	STUTRAP	18h	6h	II
Class B Hardware Traps:					
Undefined Opcode	UNDOPC	BTRAP	28h	Ah	I
Protected Instruction Fault	PRTFLT	BTRAP	28h	Ah	I
Illegal Word Operand Access	ILLOPA	BTRAP	28h	Ah	I
Illegal Instruction Access	ILLINA	BTRAP	28h	Ah	I
Illegal External Bus Access	ILLBUS	BTRAP	28h	Ah	I
Reserved			[2Ch-3Ch]	[Bh-Fh]	
Software Traps					
TRAP Instruction			Any [0h-1FCh] in steps of 4H	Any [0h-7Fh]	Current CPU Priority

7.2 Normal Interrupt Processing and PEC Service

The priority of service for interrupts and PEC requests is completely programmable. Each source request can be assigned to a specific priority. Once per instruction cycle, all sources which require PEC or interrupt processing will contend for servicing. Every requesting source will try to exert its priority on the interrupt system. A special mechanism (called 'group priority') has been implemented that allows the specification of the order of service for simultaneous requests from a group of different sources on the same priority level. At the end of the instruction cycle, only one source with the highest priority will be left with control of the interrupt system. This source will then be enabled for servicing if the priority of the request is higher than the current CPU priority in the PSW. This arbitration, which occurs once every instruction cycle, is called a 'round of prioritization'.

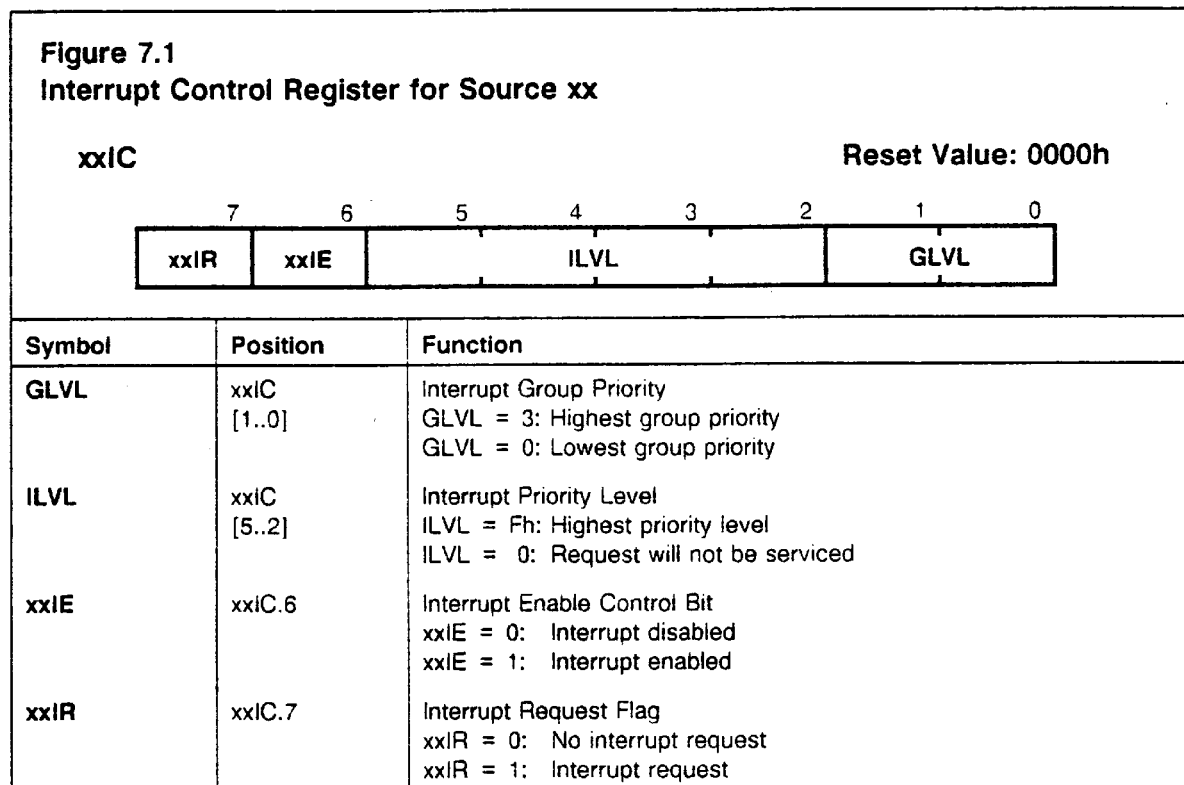
7.2.1 Interrupt System Register Description

Interrupt processing is controlled globally by the PSW through a general interrupt enable bit (IEN) and the CPU priority field (ILVL). Additionally, the different interrupt sources are controlled individually by their specific interrupt control registers. Thus, the acceptance of requests by the CPU is determined by both the individual interrupt control registers and the PSW. For PEC service, one additional dedicated register and 2 pointers must be programmed in order to specify the task which is to be performed by the respective PEC service channel.

7.2.1.1 Interrupt Control Registers

All interrupt control registers are organized identically. An interrupt control register is 8 bits wide and contains the complete interrupt status information of the associated source which is required during one round of prioritization. All interrupt control registers are bit-addressable, and all bits can be read or written by software. This allows each interrupt source to be programmed or modified with just one instruction. When accessing interrupt control registers through instructions which operate on word data types, bits 8 through 15 will be read as zeros, while the written value is insignificant.

In figure 7.1, an example of the SAB 80C166's Interrupt Control registers $xxIC$ is shown, where xx replaces the mnemonic for the specific source. Each interrupt control register with its name and address will be shown in the specific section on the peripheral it is associated with (see chapter 8). The function of each single or multiple bit field of an interrupt control register is described in more detail in the following paragraphs.



xxIR – Interrupt Request Flag

This bit is set by hardware whenever a service request from source xx occurs. The Interrupt Request flag is automatically cleared upon entry to the interrupt service routine or upon service of the request by the PEC. In the case of PEC service, the Interrupt Request flag remains set if the COUNT field of the selected PEC channel goes to zero (see section 7.2.2.1 for details). This allows a normal CPU interrupt to respond to a completed PEC block transfer. Modifying the Interrupt Request flag by software causes the same effects as if it had been set or cleared by hardware.

xxIE – Interrupt Enable Flag

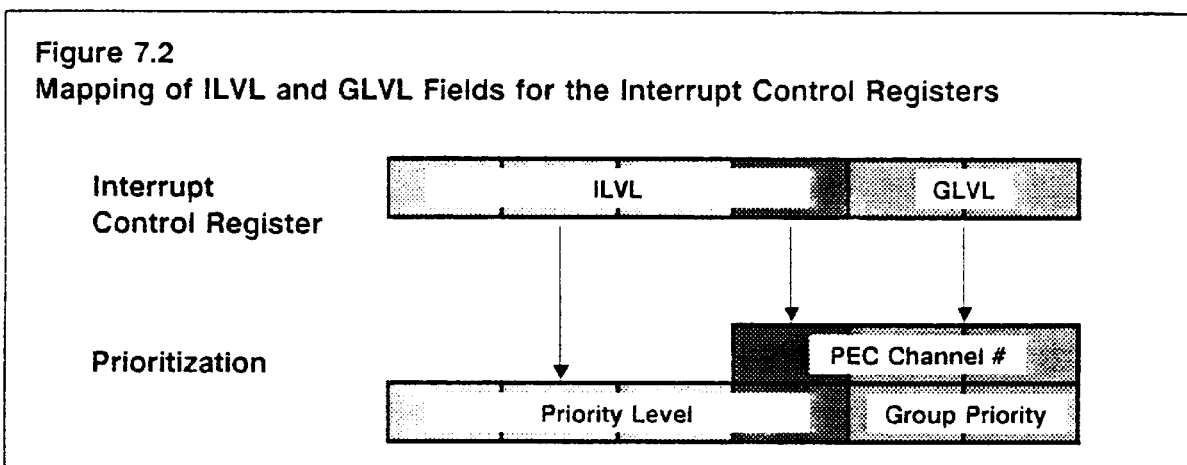
This bit is used to individually enable or disable the acceptance of a service request.

ILVL – Interrupt Priority Level Field, xxIC[5..2]

These four bits specify the priority level of a service request. Values from 0h through Fh can be specified in this field, where Fh represents the highest priority level.

Interrupt requests that are programmed to priority levels 15 or 14 (i.e., ILVL = 111Xb) will be serviced by the PEC, unless the COUNT field of the associated PEC channel contains zero. In this case, the request will be serviced by normal interrupt processing. Interrupt requests that are programmed to priority levels 13 through 1 will always be serviced by normal interrupt processing.

For interrupt requests which are selected for PEC service by the method described above, the LSB of ILVL represents the MSB of the associated PEC channel number. In other words, by programming a source on priority level 15 (ILVL = 1111b), PEC channels 7 through 4 can be selected. By programming a source on priority level 14 (ILVL = 1110b), PEC channels 3 through 0 can be selected. The actual PEC channel number is then determined by the Group Priority field GLVL which is described in the following paragraph. Figure 7.2 shows the mapping of the ILVL and GLVL fields and their interpretation during a round of prioritization.



During the prioritization process, the ILVL fields of all interrupt requesting sources are compared to the current CPU priority level which is contained in the ILVL field of the PSW. An interrupt request of higher priority than the current CPU priority can interrupt the executing routine.

Upon entry into an interrupt service routine, the priority level of the source that won the arbitration is copied into the ILVL field of the PSW after pushing the old PSW contents on the stack.

The interrupt system of the SAB 80C166 allows nesting of up to 15 interrupt service routines of different priority levels. Note that an interrupt source which is programmed to priority level 0 will never be serviced by the CPU, because its priority level can never be higher than the CPU priority.

GLVL - Interrupt Group Priority Field, `xxIC[1..0]`

These two bits are interpreted as the relative priority of an interrupt service request within a group of simultaneous requests from different sources on the same priority level. For sources which are programmed for PEC service in their ILVL fields, the 2 bits of GLVL represent the 2 LSBs of the associated PEC channel number. See also figure 7.2. The group priority field is particularly relevant for resolving simultaneous interrupt requests from several sources on the same priority level. Up to 4 sources can be programmed to the same priority level. They are prioritized according to their group priority, where 3 is highest

Interrupt and Trap Functions

group priority. This also means that simultaneous requests for PEC service are prioritized according to their PEC channel number: the PEC channel with the highest number has the highest priority.

Note: All interrupt sources that are enabled and programmed to the same priority level must always be programmed to different group priorities. Otherwise, an incorrect interrupt vector will be generated.

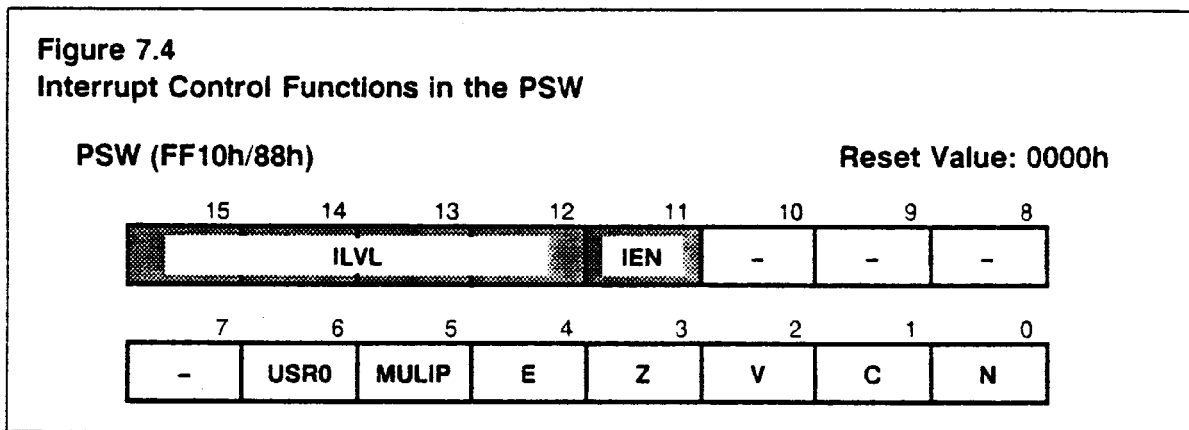
Figure 7.3 exemplifies the possible configurations which can be programmed in the interrupt control registers.

Figure 7.3
Examples of Possible Configurations in the Interrupt Control Registers

Field		Type of Service (COUNT: PEC Transfer Counter field of selected PEC channel)
ILVL	GLVL	
1 1 1 1	1 1	If COUNT ≠ 0: PEC Service, Channel 7
1 1 1 1	1 1	If COUNT = 0: CPU Interrupt, Priority Level 15, Group Priority 3
1 1 1 1	1 0	If COUNT ≠ 0: PEC Service, Channel 6
1 1 1 1	1 0	If COUNT = 0: CPU Interrupt, Priority Level 15, Group Priority 2
1 1 1 0	1 1	If COUNT ≠ 0: PEC Service, Channel 3
1 1 1 0	1 1	If COUNT = 0: CPU Interrupt, Priority Level 14, Group Priority 3
1 1 1 0	0 0	If COUNT ≠ 0: PEC Service, Channel 0
1 1 1 0	0 0	If COUNT = 0: CPU Interrupt, Priority Level 14, Group Priority 0
1 1 0 1	1 1	CPU Interrupt, Priority Level 13, Group Priority 3
1 1 0 1	1 0	CPU Interrupt, Priority Level 13, Group Priority 2
1 1 0 1	0 1	CPU Interrupt, Priority Level 13, Group Priority 1
1 1 0 1	0 0	CPU Interrupt, Priority Level 13, Group Priority 0
0 0 0 1	0 0	CPU Interrupt, Priority Level 1, Group Priority 0
0 0 0 0	1 1	No Service
0 0 0 0	1 0	No Service
0 0 0 0	0 1	No Service
0 0 0 0	0 0	No Service

7.2.1.2 Interrupt Control Functions in the PSW

The Processor Status Word (PSW) is functionally divided into 2 parts: the lower byte of the PSW basically represents the arithmetic status of the CPU, the upper byte of the PSW controls the interrupt system of the SAB 80C166. This section specifically refers only to those fields of the PSW that globally control interrupt and PEC service functions. The organization of the PSW is shown in figure 7.4.



ILVL – CPU Priority Field, PSW[15..12]

These four bits represent the priority level of the routine that is currently being executed by the CPU. During reset, the CPU Priority field is initialized to the lowest priority level (i.e. level 0). Upon entry to an interrupt service routine, the four bits from the interrupt source's Priority Level field ILVL are copied into these four bits of the PSW, after the previous contents of the PSW have been pushed onto the system stack.

To determine which interrupt will be serviced, the interrupt system continuously compares the current CPU priority to the priority levels of all pending interrupts. Modifying the ILVL field of the PSW offers the capability of programming the priority level below which the CPU can not be interrupted.

Because a PEC data transfer takes only one instruction cycle and is never interrupted, the CPU priority field remains unaffected by a PEC service.

For hardware traps, the CPU priority is set to the highest priority level (i.e. 15) in the ILVL field of the PSW. Therefore, no interrupt or PEC request can be serviced while an exception trap service routine is in progress. The software TRAP instruction, however, does not change the CPU priority in the ILVL field of the PSW, thus it can be interrupted by higher level requests.

IEN – Interrupt Enable Control Bit, PSW.11

This bit globally enables or disables PEC operation and the acceptance of interrupts by the CPU. When IEN is cleared, no interrupt requests are accepted by the CPU. When IEN is set to '1', all interrupt sources, which have been individually enabled by the Interrupt Enable bits in their associated control registers, are globally enabled.

Note: Traps are non-maskable and are therefore not affected by the IEN bit.

7.2.2 PEC Service Channels Register Description

The SAB 80C166's Peripheral Event Controller (PEC) provides 8 PEC Service Channels. Upon an interrupt request, a PEC channel is capable of performing a single byte or word data transfer between any two memory locations in segment 0 (data pages 0 through 3). Each channel consists of a dedicated PEC Channel Counter/Control register and a pair of pointers for source and destination of the data transfer.

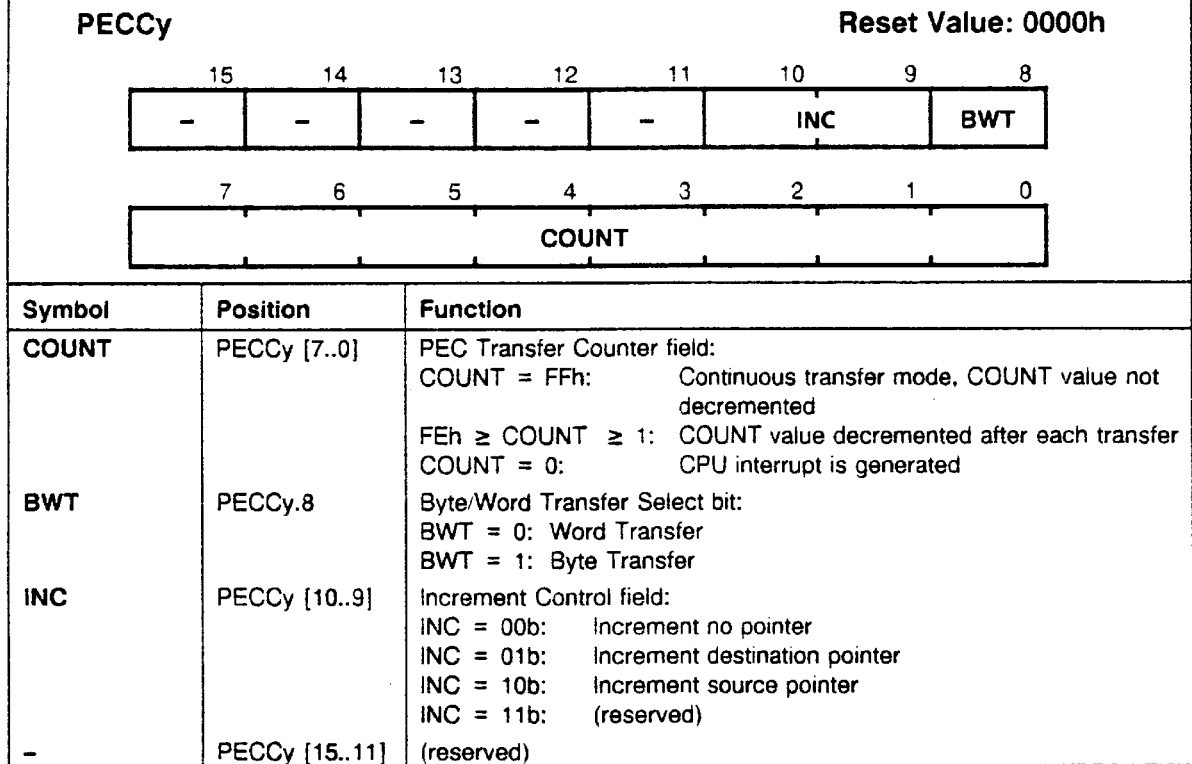
7.2.2.1 PEC Channel Counter/Control Registers

Each of the 8 PEC service channels implemented in the SAB 80C166 is supplied with a separate PEC Channel Counter/Control register. Note that these registers are NOT bit addressable. They will be referred to as PECC_y, where y represents the number of the associated PEC channel (y = 0 through 7). Each register specifies the task which is to be performed by the associated PEC channel. A specific PEC channel is selected by an interrupt source through the ILVL and GLVL field in the interrupt control register of the respective source (see figure 7.2). Table 7.3 lists all PEC channel counter/control registers, while their organization is shown in figure 7.5. In the following, their function will be discussed in detail.

Table 7.3
PEC Channel Counter/Control Registers, Summary

Control Register	Physical Address	8-Bit Address	Control Register	Physical Address	8-Bit Address
PECC0	FEC0h	60h	PECC4	FEC8h	64h
PECC1	FEC2h	61h	PECC5	FECAh	65h
PECC2	FEC4h	62h	PECC6	FECCh	66h
PECC3	FEC6h	63h	PECC7	FECEh	67h

Figure 7.5
PEC Channel Counter/Control Registers, Organization (y = 0 through 7)



INC – Increment Control Field

This 2-bit field specifies whether the Source Pointer or the Destination Pointer of the associated PEC channel shall be incremented after a PEC data transfer. Only one of the 2 pointers (either the Source or the Destination Pointer) may be incremented, it is not possible to increment both pointers after a transfer. When the function 'increment no pointer' is selected (INC = 00b), the transfer is always performed between the same two memory locations.

Note: When software tries to program the INC field to 11b, this value is modified by hardware to 10b. This will cause the Source Pointer to be incremented after a PEC data transfer.

BWT – Byte/Word Transfer Selection Bit

This bit selects the data type to be transferred upon a PEC service request. When the BWT bit is set to '1', the BYTE data type is selected for a PEC transfer. When BWT is cleared, the selected data type for a PEC transfer is WORD. For byte transfers, the optional increment value of the source or destination pointer is 1. For word transfers, the optional increment value of the source or destination pointer is 2.

COUNT - PEC Transfer Counter Field

This 8-bit field is used to specify the number of data transfers to be performed by the respective PEC channel. Either an unlimited or a limited number of transfers (0 through 254) can be programmed. The Transfer Counter field operates as an 8-bit down-counter. Values from 0 through FFh can be specified in this field, where 0 and FFh have a special meaning.

If the COUNT value is between FEh and 2 at the time the PEC service request is generated, the value is decremented after each PEC data transfer. Also, the Interrupt Request flag of the source which generated the PEC service request is cleared.

If the COUNT value equals 1 at the time the PEC service request is generated, the value is decremented to zero after the PEC data transfer, but the Interrupt Request flag of the source which generated the request remains set. This will cause another request from the associated source.

If the COUNT value equals 0 at the time the request is generated, no PEC data transfer will be performed. Instead, a CPU interrupt request is generated on the same priority level (15 or 14) as the original PEC request. The CPU branches to the interrupt service routine of the source that generated the request. This interrupt service routine can be used to reprogram the associated PEC service channel.

Note: This feature can be used to specifically generate CPU interrupt requests on the 2 highest priority levels (level 15 or 14). For any source request on priority level 15 or 14 whose COUNT field of the associated PEC channel contains 0, a CPU interrupt request with the vector of that source is generated. Note that no PEC data transfer operation can be performed while the CPU is executing a routine on CPU priority level 15. While the CPU is executing a routine on CPU priority level 14, only PEC data transfers through service channels 4 through 7 can be processed.

If the Transfer Counter field has been set to FFh, the continuous transfer mode is selected for the respective PEC channel. In this mode, the COUNT value is not decremented, which means that an unlimited number of transfers will be performed by this PEC channel. The operation of a PEC Service Channel programmed for continuous transfer can only be terminated either by disabling PEC service, or by reprogramming its PEC Channel Counter/Control register. For the different possibilities of disabling interrupt sources, see section 7.2.3.1.

7.2.2.2 PEC Source and Destination Pointers

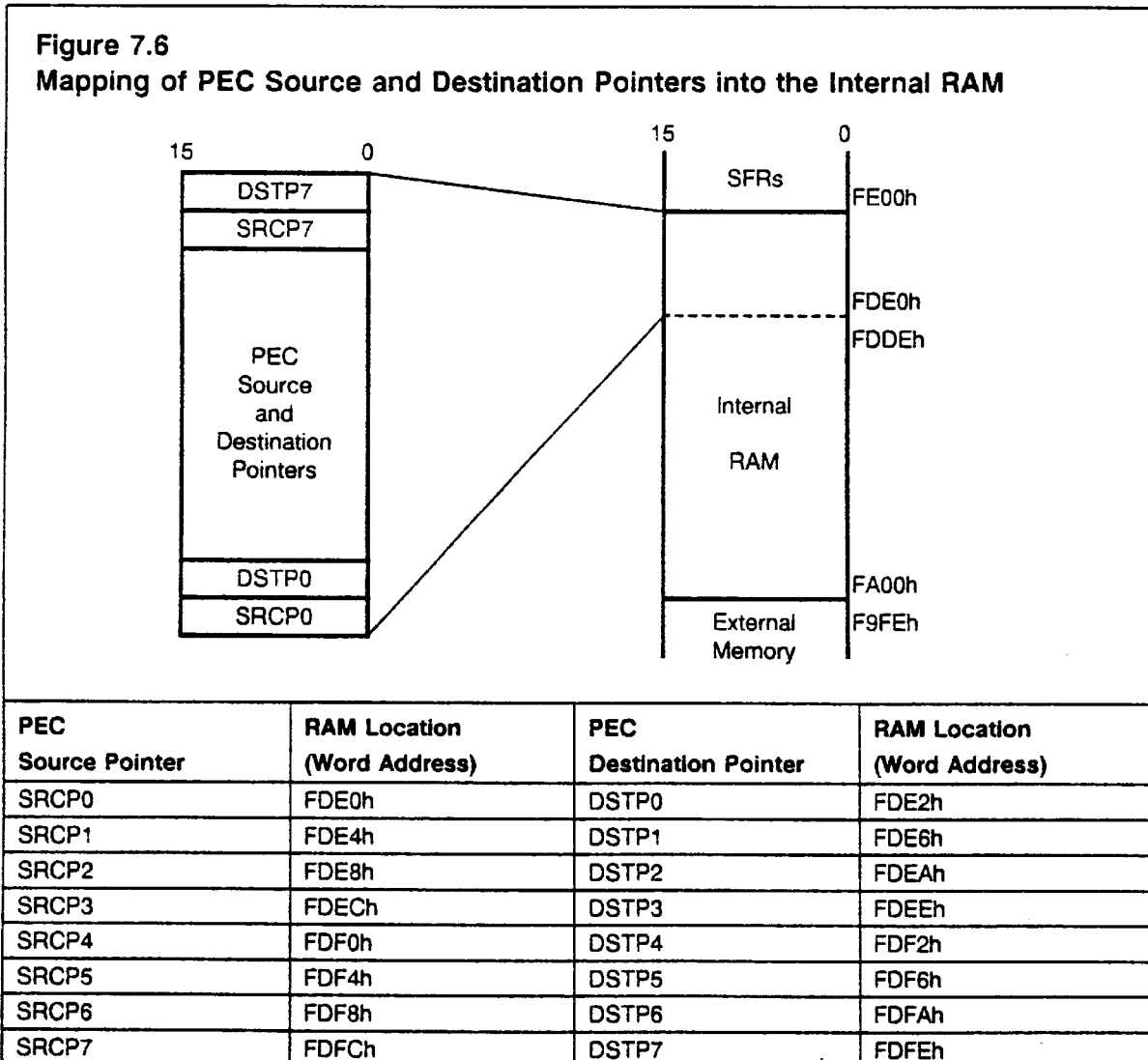
Eight pairs of word-wide pointers are associated with the 8 PEC Service Channels. Each pair is directly assigned to one specific PEC channel. Each of these pairs of pointers consists of a Source Pointer, which contains the source address of the PEC data transfer, and a Destination Pointer, which contains the respective destination address.

These pointers share the top 16 word locations (byte addresses FDE0h through FDFFh) in the internal RAM. If no PEC service is required for a specific PEC channel, the locations of its pointers can be used for general data storage.

Note: *If word data transfer is selected for a specific PEC channel (i.e. bit BWT = 0), the respective Source and Destination Pointers must both contain a valid word address which points to an even byte boundary. Otherwise the Illegal Word Access trap will be invoked when this channel is used (see section 7.3.2.6).*

In the following, a Source Pointer will be referred to as SRCPx, and a Destination Pointer will be referred to as DSTPx, where x indicates the number of the associated PEC Service Channel (x = 0 through 7). Figure 7.6 shows the mapping of the PEC Source and Destination Pointers into the internal RAM.

Note that for all PEC data transfers, the data page pointers DPP0 through DPP3 are NOT used. The addresses contained in the PEC source and destination pointers are interpreted as direct 16-bit memory addresses in segment 0, so that data transfers can be performed between any two memory locations within the first four data pages (pages 0 through 3).



7.2.3 Prioritization of Interrupt and PEC Service Requests

Interrupt and PEC service requests from all sources that are enabled compete for service in the prioritization process. The prioritization sequence is repeated every instruction cycle.

7.2.3.1 Enabling and Disabling of Interrupt Sources

Enabling and disabling of interrupt sources can be performed in several ways:

- 1) Each interrupt source can be individually enabled or disabled by setting or clearing its Interrupt Enable flag in the interrupt control register that is associated with this source. However, as long as the global Interrupt Enable control bit IEN in the PSW has not been set, all interrupt sources remain globally disabled and no interrupt requests will be acknowledged by the CPU.
- 2) When the IEN bit in the PSW is set to '1', all interrupt sources that have been individually enabled become globally enabled. Interrupt requests which are generated by these sources can then participate in the prioritization process. The requests will be acknowledged by the CPU according to their priority.
- 3) By programming the ILVL field of an Interrupt Control register to level 0, the associated source can never interrupt the CPU.
- 4) Programming the CPU priority in the PSW to a certain level prevents the CPU from being interrupted by requests on the same or any lower level. With this method, all interrupts below a certain level can be disabled with one instruction, e.g. the Bit Field (BFLDH) instruction.

7.2.3.2 Priority Level Structure

In the SAB 80C166's interrupt system, the priority of a request for interrupt or PEC service is completely programmable. All enabled source requests must be programmed to different priorities, which means that sources which are programmed to the same priority level must be programmed to different group priorities. Otherwise, undetermined results may occur for the interrupt vector. Using the group priorities 0 through 3, up to 4 sources can be programmed to the same priority level.

The advantage of this priority scheme is that the order for servicing of simultaneous requests from different sources on the same priority level is not fixed by the system but can be assigned via software.

In all cases, the source on the highest priority level which also has the highest group priority wins the current round of prioritization. Whether the request of this source will be accepted by the CPU or not depends on the current CPU priority. If the priority of the requesting source is higher, the request is acknowledged and the CPU passes control to the source's interrupt vector.

The interrupt system supports 16 different priority levels. Only 15 of those levels are actually effective priority levels because requests on level 0 are not capable of interrupting the CPU. Therefore, up to 15 interrupt service routines on different priority levels can be nested. In the following section, a method will be described which allows the limitation of nested interrupt levels to a number less than 15. This may be desirable for reasons of stack efficiency.

Normally, the 2 highest priority levels (level 15 and 14) are used by PEC requests. Those levels can also be used to process a high priority CPU interrupt if the COUNT field of the selected PEC channel contains 0 at the time this channel is invoked (see section 7.2.2.1).

7.2.3.3 Example for the Use of the CPU Priority

The priority level of the routine currently being serviced by the CPU is indicated in the CPU Priority field (ILVL) of the PSW. Modifying the CPU Priority field of the PSW by software adds additional flexibility to the interrupt system of the SAB 80C166. For example, it provides the user with a means of 'reducing' the implemented number of 16 priority levels to any smaller integer number. This may be desirable to prevent a group of several different tasks with similar importance from interrupting each other. It also reduces the stack depth. For up to 4 tasks per group, this can simply be done by assigning the associated interrupt sources to the same priority level (in their ILVL field), but to different group priorities (in their GLVL field).

To prevent a group of more than 4 tasks with similar importance from interrupting each other, the first action within an interrupt service routine of each of these tasks could be to set the CPU Priority field to the priority level (ILVL) of the source with the highest priority within this group. In this way, interrupt or PEC service requests of higher priority other than in this group are still accepted.

All interrupt requests of lower or equal priority become pending. Thus, the interrupt system operates as if all tasks of the group were on the same priority level.

For example, an application may have 24 interrupt sources, where these sources must be organized in 3 priority classes with 8, 10, and 6 sources per class. In the priority scheme of the SAB 80C166, the 24 sources could be organized and configured as follows:

Table 7.4
Example of 24-Interrupt Organization in 3 Classes

ILVL	GLVL				Organization
	3	2	1	0	
Fh					PEC Service, 8 Channels
Eh					
Dh					
Ch	x	x	x	x	Class A, 8 Interrupts
Bh	x	x	x	x	
Ah					Class B, 10 Interrupts
9					
8	x	x	x	x	
7	x	x	x	x	
6	x	x			
5	x	x	x	x	
4	x	x			
3					
2					
1					
0					No Service

In this example, the 3 user-defined priority levels are called 'classes'. Each of the three classes A through C includes interrupt sources on 2 or 3 priority levels of the interrupt system. The 2 highest priority levels of the interrupt system are used by the PEC service functions. Priority level 0 does not provide interrupt service. With the organization shown in table 7.4, any acknowledged interrupt from the sources within a class (e.g. A) must set the CPU Priority field of the PSW to the highest priority level contained in its class (e.g. 8 for class B) at the beginning of its interrupt service routine.

Using this technique, interrupts generated by the lowest class (i.e. C) can be interrupted by a request from higher classes (i.e. B or A). However, an interrupt service routine of a source that belongs to the highest class (i.e. A) can not be interrupted by requests of the same or lower classes.

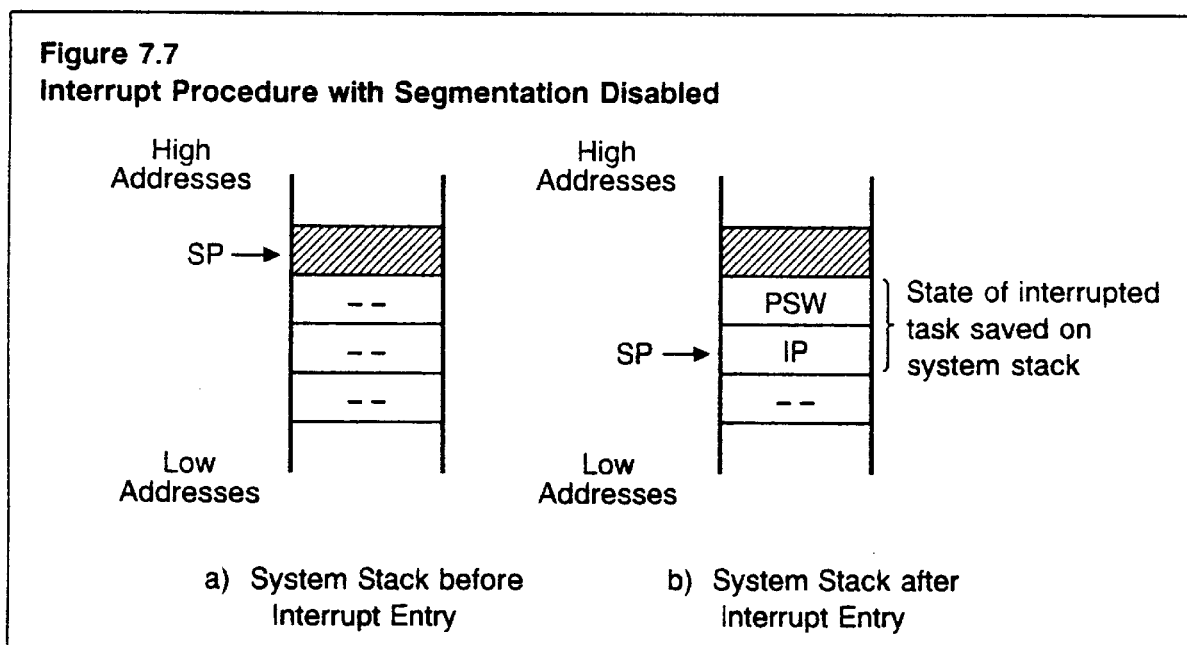
7.2.4 Interrupt Procedure

Once an interrupt has been selected for servicing, the state of the task currently being executed by the CPU is saved on the system stack. To ensure correct return to the location where the task had been interrupted, the information stored on the stack also depends on whether segmentation is currently enabled, as indicated by the SGTDIS bit in the SYSCON register.

7.2.4.1 Interrupt Procedure with Segmentation Disabled

If segmentation is disabled, the contents of the PSW and the contents of the IP are pushed on the system stack. The interrupt source's priority level is then copied into the CPU Priority field of the PSW. If a multiply or divide operation was in progress when the interrupt was acknowledged, the MULIP bit in the PSW of the interrupt service routine is set to '1'. The Interrupt Request Flag of the source that caused the interrupt is cleared. The CPU then passes control to the source's interrupt vector. The pushed IP contains the address of the instruction to which execution will return after the interrupt service routine is completed.

Upon execution of the RETI instruction (Return from Interrupt), the information that was pushed on the stack is popped in reverse order. In this way, the status of the interrupted routine is restored. Figure 7.7 shows how the system stack is affected when an interrupt is acknowledged while segmentation is disabled.

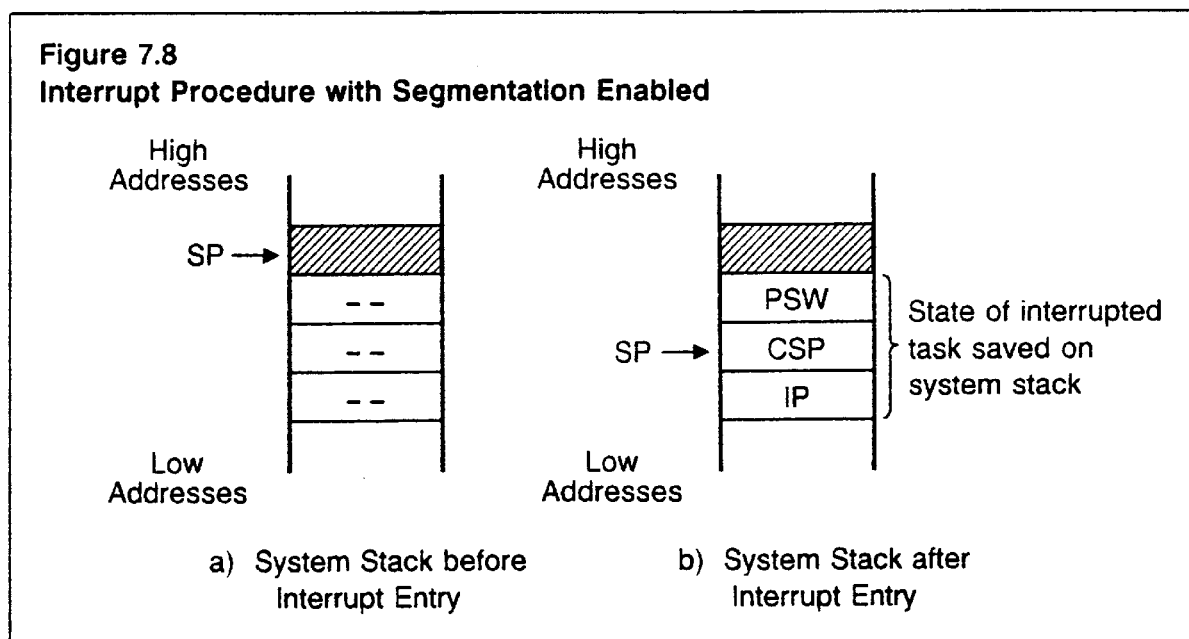


7.2.4.2 Interrupt Procedure with Segmentation Enabled

The procedure that will be performed by the SAB 80C166's interrupt system when segmentation is enabled is independent of the code segment that the CPU is currently executing from.

If segmentation is used when an interrupt request is acknowledged, the Code Segment Pointer (CSP) must also be pushed on the system stack to ensure correct return to the previous segment after completion of the interrupt service routine. The contents of the PSW are pushed first, then the contents of the CSP and IP are pushed on the system stack. The CSP for the interrupt service routine is set to segment zero. As with segmentation disabled, the interrupt source's priority level is copied into the CPU Priority field of the PSW, and the Interrupt Request flag of the source that caused the interrupt is cleared. If a multiply or divide operation was in progress when the interrupt was acknowledged, the MULIP bit in the PSW of the interrupt service routine is set to '1'. No data page pointer is affected.

Upon execution of the RETI instruction (Return from Interrupt), the information that was pushed on the stack is popped in reverse order to restore the previous status. Figure 7.8 shows how the system stack is affected by an interrupt that is acknowledged when segmentation is enabled.



7.2.4.3 Context Switching for Interrupt Service Routines

Context switching in conjunction with processing an interrupt service routine allows establishing a new context within the interrupt service routine. Thus, a completely new set of General Purpose Registers (GPRs) can be provided for the interrupt service routine, without the need of explicitly saving and restoring registers.

Context switching can be performed by executing the Switch Context instruction (SCXT) within the interrupt service routine before any GPR is accessed. For example, the instruction SCXT CP, #New Bank is used to push the previous value of the Context Pointer (CP) on the system stack and set the CP to the value #New Bank which is specified as an immediate operand in the SCXT instruction. Note that GPRs in the new register bank should not be accessed by the instruction immediately following the SCXT instruction (see also section 5.1.4).

Before executing the RETI instruction at the end of an interrupt service routine, the previous Context Pointer must be popped from the system stack to ensure correct return to the previous context.

7.2.5 Interrupt Processing via the Peripheral Event Controller PEC

As an alternative to software oriented interrupt processing, the PEC provides a way to minimize interrupt latency and software overhead in cases where only a single data transfer operation is required to service a peripheral device. As all the SAB 80C166's peripheral functions are controlled by Special Function Registers (SFRs), it is sufficient for many applications to simply transfer data to or from the Special Function Registers and a data memory location to handle service requests. Examples would be storing of results from the A/D converter, or data from a serial channel. With the SAB 80C166's PEC, data transfers between two memory locations in segment 0 (data page 0 through 3) are possible.

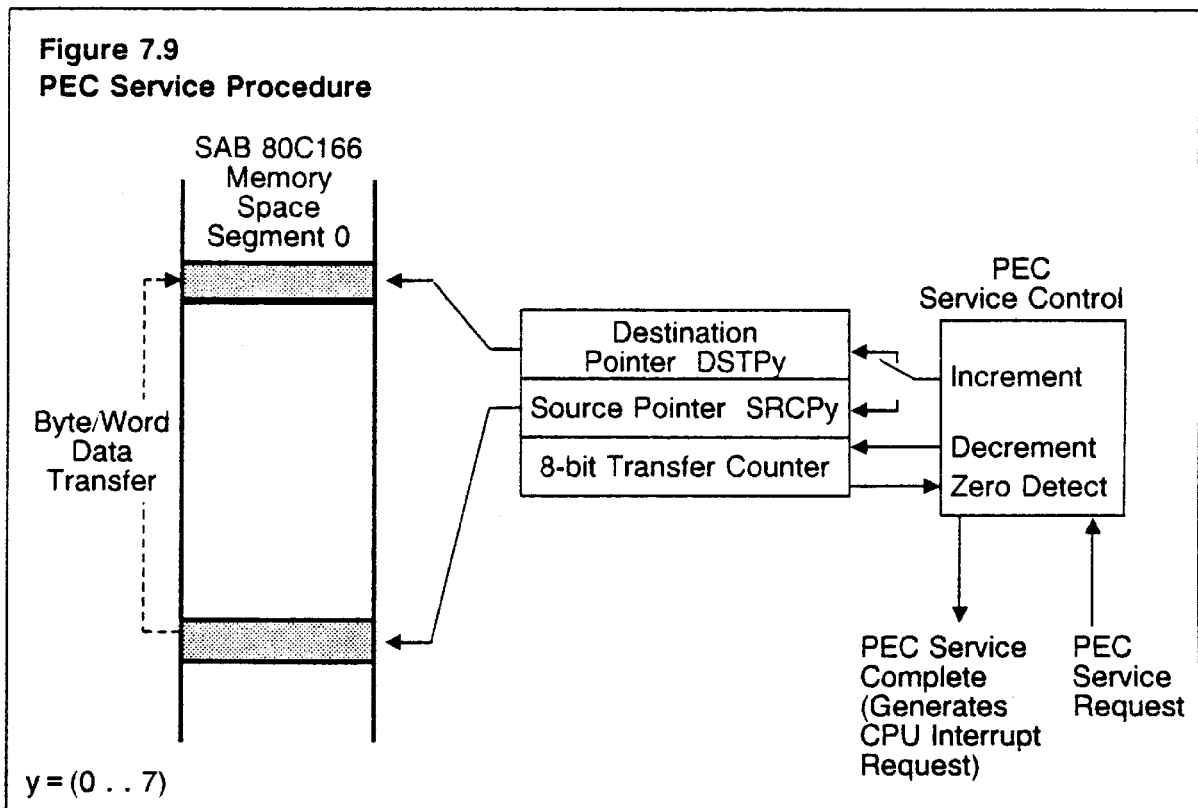
The PEC data transfer itself does not affect the IP or the flags in the PSW. Therefore, no program status information needs to be saved when the PEC performs a data transfer. This improves the overall system throughput and speeds up the servicing of peripheral requests.

The priority level structure of the SAB 80C166's interrupt system has been designed such that requests for PEC service have priority over requests for CPU interrupt service. Exceptions to this are when the CPU is executing a routine on CPU priority level 15 or 14. While the CPU is executing a routine on CPU priority level 14, only PEC data transfers through service channels 4 through 7 can be processed. While the CPU is executing a routine on CPU priority level 15, no PEC data transfers can be processed.

When an interrupt request that has been programmed for PEC service is selected for servicing by the prioritization circuit, the PEC performs one data transfer operation. The data type (byte or word) for this transfer is determined by bit BWT in the PEC channel control register PECCy of the respective PEC channel. The source and the destination of this data transfer are pointed to by source pointer SRCPy and destination pointer DSTPy.

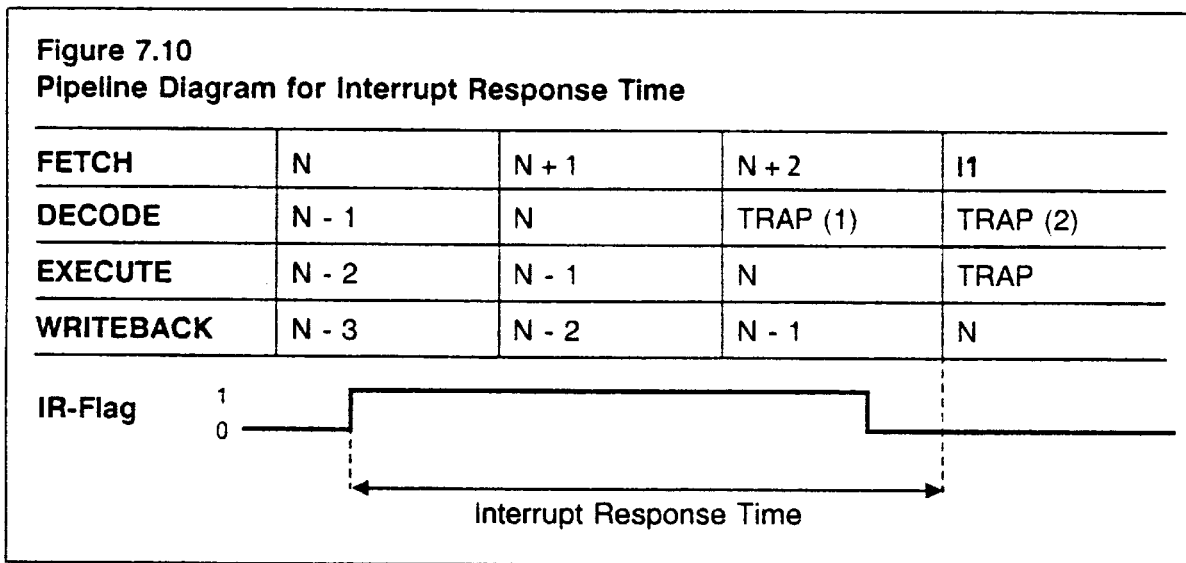
After completion of the transfer operation, one of the 2 pointers can optionally be incremented and the channel's transfer counter COUNT can be decremented. When the transfer counter reaches 0, a normal CPU interrupt request is generated and the associated interrupt service routine can be used to reprogram the affected PEC channel. A functional diagram of the basic PEC service procedure is shown in figure 7.9.

Note: All sources which are requesting PEC service should be programmed to the same PEC service channel ONLY if it is ensured that they do not generate simultaneous requests while the COUNT field of the respective channel contains 1. In the case of simultaneous requests where the COUNT field contains a value greater than 1 at the time the PEC channel is invoked, only one PEC data transfer will be performed for all of the simultaneous requests. When the COUNT field contains 1 and simultaneous PEC requests for this channel are generated, one PEC data transfer is performed, and an interrupt to an undetermined vector address may occur.



7.2.6 Interrupt and PEC Response Times

Interrupt response time is defined as the time required from the moment an interrupt request flag of an enabled interrupt source is set until fetching of the first instruction I1 at the interrupt vector location can begin. In general, the interrupt response time in the SAB 80C166 is 3 instruction cycles. It depends on the instructions N through N-3 which are in the pipeline at the time the request flag is set, and on the following two instructions N + 1 and N + 2. This is explained by the pipeline diagram in figure 7.10.



Whenever the pipeline is advanced and a new instruction cycle is started, all sources whose interrupt request flags have been set during the previous cycle compete for service in a round of prioritization. In the next cycle, a TRAP is performed to the vector location of the winning source, and the source's interrupt request flag is reset to '0'. Fetching of the instruction I1 at the vector location is started in the following cycle. All instructions that are in the pipeline at the time the interrupt request flag is set will be completed before the interrupt service routine, while the following instruction N + 1 will be executed after return from the interrupt service routine. As can be seen from figure 7.10, the TRAP instruction requires two cycles to push the PSW generated by instruction N and the IP and (in segmentation mode) the CSP of instruction N + 1.

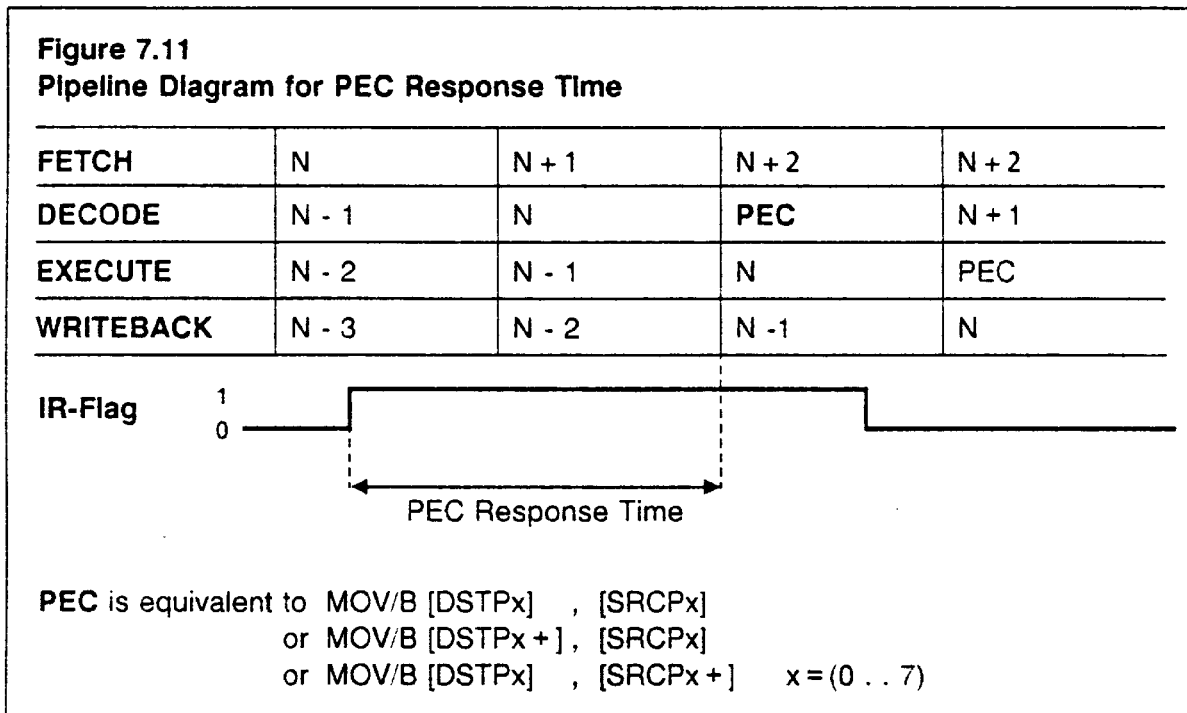
The minimum interrupt response time is 5 states (250 ns @ 40 MHz). This applies to program execution from the internal ROM when no external operand read requests are performed, and when the interrupt request flag is set during the last state of an instruction cycle. When the interrupt request flag is set during the first state of an instruction cycle, the minimum interrupt response time under these conditions is 6 state times (300 ns @ 40 MHz).

In general, all delays with respect to the standard instruction execution time which may occur during execution of instructions in the pipeline may result in a longer interrupt response time. When internal hold conditions between instruction pairs N-2/N-1 or N-1/N occur, or instruction N explicitly writes to the PSW, the minimum interrupt response time may be extended by 1 state time for each of these conditions. When instruction N reads an operand from the internal ROM, or when N is a call, return, trap, or MOV Rn, [Rm + #data16] instruction, the minimum interrupt response time may additionally be extended by 2 state times during internal ROM program execution. In case instruction N reads the PSW and instruction N-1 has an effect on the condition flags, the interrupt response time may additionally be extended by 2 state times. The worst case interrupt response time during internal ROM program execution is 12 state times (500 ns @ 40 MHz). See section 5.2 for more details on instruction timing.

The absolute worst case interrupt response time will occur when instructions N through N + 2 are executed out of an external memory, instructions N and N + 1 require external operand read accesses, instructions N-3 through N write back external operands, and the interrupt vector location is also in the external memory. In this case, the interrupt response time is the time to perform 9 word bus accesses, because instruction I1 can not be fetched over the external bus until all write, fetch and read requests of preceding instructions in the pipeline are terminated. Under the same conditions, but with the interrupt vector location in the internal ROM, the interrupt response time is 7 word bus accesses plus 2 states, because fetching of I1 from the internal ROM can start earlier. Note that these worst case situations are rather untypical and occur only when instructions N and N-1 are indirect MOV instructions between two external memory locations. When instructions N through N + 2 are executed out of an external memory, and the interrupt vector location is also in external memory, but all operands for instructions N-3 through N are in internal memory, then the interrupt response time is the time to perform 3 word bus accesses. Under the same conditions, but with the interrupt vector location in the internal ROM, the interrupt response time is 1 word bus access plus 4 states.

After an interrupt service routine has been terminated through execution of the RETI instruction, and if further interrupts are pending, the next interrupt service routine will not be entered until at least two instruction cycles have been executed in the program section returned to. In most cases, two instructions will be executed during this time. Only one instruction will typically be executed if the first instruction following the RETI instruction is a branch instruction (without cache hit), or if it reads an operand in the internal ROM, or if it is executed out of the internal RAM.

Similar to the interrupt response time, the response time for a PEC data transfer request can be defined as the time required from the moment an interrupt request flag has been set until the PEC data transfer is started. In general, the PEC response time in the SAB 80C166 is 2 instruction cycles. It depends on the instructions N-3 through N which are in the pipeline at the moment the request flag is set, and on the following instruction N + 1. This is explained by the pipeline diagram in figure 7.11.



Once per instruction cycle, all enabled interrupt sources whose interrupt request flags have been set during the previous cycle compete for service in a round of prioritization. In the next cycle, the PEC data transfer is started when the winning source was programmed for PEC service, and the source's interrupt request flag is reset to '0'. Note that when instruction N reads any of the PEC control registers PECC0 through PECC7 while a PEC request wins the current round of prioritization, this round is repeated and the PEC data transfer is started one cycle later.

The minimum PEC response time is 3 states (150 ns @ 40 MHz). This applies to program execution from the internal ROM when no external operand read requests are performed, and when the interrupt request flag is set during the last state of an instruction cycle. When the request flag was set during the first state of an instruction cycle, the PEC response time is 4 state times.

When internal hold conditions between instruction pairs N-2/N-1 or N-1/N occur, the minimum PEC response time may be extended by 1 state time for each hold condition. When instruction N reads an operand from the internal ROM, or when N is a call, return, trap, or MOV Rn, [Rm + #data16] instruction, the minimum PEC response time may additionally be extended by 2 state times during internal ROM program execution. In case instruction N reads the PSW and instruction N-1 has an effect on the condition flags, the PEC response time may additionally be extended by 2 state times. The worst case PEC response time during internal ROM program execution is 9 state times (350 ns @ 40 MHz).

Interrupt and Trap Functions

The absolute worst case PEC response time will occur when instructions N and N + 1 are executed out of an external memory and both require external operand read accesses, and instructions N-3 through N-1 write back external operands. In this case, the PEC response time is the time to perform 7 word bus accesses. Note that this worst case situation is rather untypical and occurs only when instructions N and N-1 are indirect MOV instructions between two external memory locations.

When instructions N and N + 1 are executed out of an external memory, but all operands for instructions N-3 through N-1 are in internal memory, then the PEC response time is the time to perform 1 word bus access plus 2 state times.

Once a request for PEC service has been acknowledged by the CPU, the execution of the next instruction is delayed by 2 state times plus the additional time it might take to fetch the source operand from internal ROM or external memory and to write the destination operand over the external bus in an external program environment.

7.2.7 External Interrupts

Nineteen of the SAB 80C166's port pins may be used as universal external interrupt input pins if their alternate function is not required in conjunction with an on-chip peripheral. These pins are listed in table 7.5.

Table 7.5
Port Pins Configurable as External Interrupt Input Pins

Port Pin	Alternate Symbol	Alternate Function
P2.0	CC0IO	CAPCOM Register 0 Capture Input/Compare Output
:	:	:
P2.15	CC15IO	CAPCOM Register 15 Capture Input/Compare Output
P3.2	CAPIN	CAPREL Register Capture Input
P3.5	T4IN	Timer 4 Count/Gate/Reload/Capture Input
P3.7	T2IN	Timer 2 Count/Gate/Reload/Capture Input

For each of these pins, either a positive, a negative, or both a positive and a negative external transition can be selected to cause an interrupt or PEC service request. The edge selection is performed in the control register of the peripheral device associated with the respective port pin. The peripheral must be programmed to a specific operating mode to allow generation of an interrupt by the external signal. The priority of the interrupt request is determined by the interrupt control register of the respective peripheral interrupt source, and the interrupt vector of this source will be used in case an interrupt is acknowledged.

For each of these pins, either a positive, a negative, or both a positive and a negative external transition can be selected to cause an interrupt or PEC service request. The edge selection is performed in the control register of the peripheral device associated with the respective port pin. The peripheral must be programmed to a specific operating mode to allow generation of an interrupt by the external signal. The priority of the interrupt request is determined by the interrupt control register of the respective peripheral interrupt source, and the interrupt vector of this source will be used in case an interrupt is acknowledged.

In order to use any of the pins listed in table 7.5 as external interrupt inputs, its direction control bit DPx.y in the corresponding port direction control register DPx must be '0'.

When port pins CCxIO/P2.x (x = 0 through 15) are to be used as external interrupt input pins, bit field CCMODx in the control register of the corresponding capture/compare register CCx must be configured for capture mode. When CCMODx is programmed to 001b, the interrupt request flag CCxIR in register CCxIC will be set on a positive external transition at pin CCxIO/P2.x. When CCMODx is programmed to 010b, a negative external transition will set the interrupt request flag. When CCMODx = 011b, both a positive and a negative transition will set the request flag. In all three cases, the contents of the allocated CAPCOM timer T0 or T1 will be latched into capture register CCx, independent whether the timer is running or not. When the interrupt enable bit CCxIE is set, a PEC request or an interrupt request for vector CCxINT will be generated. For further details on the CAPCOM unit, see section 8.1.

Pins T2IN/P3.7 or T4IN/P3.5 can be used as external interrupt input pins when the associated auxiliary timer T2 or T4 in block GPT1 is configured for capture mode. This mode is selected by programming the mode control fields T2M or T4M in control registers T2CON or T4CON to 101b. The active edge of the external input signal is determined by bit fields T2I or T4I. When these fields are programmed to X01b, interrupt request flags T2IR or T4IR in registers T2IC or T4IC will be set on a positive external transition at pins T2IN/P3.7 or T4IN/P3.5, respectively. When T2I or T4I are programmed to X10b, then a negative external transition will set the corresponding request flag. When T2I or T4I are programmed to X11b, both a positive and a negative transition will set the request flag. In all three cases, the contents of the core timer T3 will be captured into the auxiliary timer registers T2 or T4 based on the transition at pins T2IN or T4IN. When the interrupt enable bits T2IE or T4IE are set, a PEC request or an interrupt request for vector T2INT or T4INT will be generated. For further details on the GPT1 block, see section 8.2.1.

Pin CAPIN/P3.2 differs slightly from the other pins described before in that it can be used as external interrupt input pin without affecting peripheral functions. When the capture mode enable bit T5SC in register T5CON is set to '0', signal transitions on pin CAPIN/P3.2 will only set the interrupt request flag CRIR in register CRIC, and the capture function of register CAPREL is not activated. This means that register CAPREL can still be used as reload register for GPT2 timer T5 while pin CAPIN/P3.2 is used as external interrupt input.

Through bit field CI in register T5CON, the effective transition of the external interrupt input signal can be selected. When CI is programmed to 01b, a positive external transition will set the interrupt request flag. CI = 10b selects a negative transition to set the interrupt request flag, and with CI = 11b, both a positive and a negative transition will set the request flag. When the interrupt enable bit CRIE is set, an interrupt request for vector CRINT or a PEC request will be generated. See section 8.2.2 for further details on the GPT2 block.

The non-maskable interrupt input pin NMI# provides another possibility to obtain CPU reaction on an external input signal. The NMI# pin is a dedicated input pin which causes a hardware trap when a negative transition is detected on this pin. The NMI# trap function is discussed in detail in the following section.

7.3 Trap Functions

The SAB 80C166 provides two different kinds of trapping mechanisms. These are software traps and hardware traps. Trap functions offer the possibility to bypass the interrupt system's prioritization process in cases where immediate system reaction is required. Trap functions are not maskable and always have priority over interrupt requests on any priority level.

7.3.1 Software Traps

The TRAP instruction is used to cause a software call to an interrupt service routine. Associated with the trap instruction is a trap number that can be specified in the operand field of the instruction. This trap number determines which vector location in the memory space from 0h through 1FCh will be branched to (see also table 7.2 in section 7.1).

Executing a TRAP instruction causes a similar effect as if an interrupt at the same vector had occurred. The IP and PSW, and in segmentation mode also the CSP, are pushed on the internal system stack and a jump is taken to the specified vector location. When segmentation is enabled and a trap is executed, the CSP for the trap service routine is set to code segment 0. However, the CPU Priority field of the PSW is not modified and the trap service routine is executed on the priority level from which it was invoked. Therefore, the service routine entered by the TRAP instruction can be interrupted by other traps or higher priority interrupts. No Interrupt Request flags are affected by the TRAP instruction. The interrupt service routine called by a TRAP instruction must be terminated with a RETI (return from interrupt) instruction to ensure correct return.

7.3.2 Hardware Traps

Hardware traps are used to identify faults or specific system states at runtime which cannot be identified at assembly time. Eight different hardware trap functions are supported by the SAB 80C166. When a hardware trap condition has been detected, the CPU branches to the trap vector location for the respective trap condition. Depending on the trap condition, the instruction which caused the trap is either completed or cancelled (i.e., it has no effect on the system state) before the trap handling routine is entered.

Hardware traps are non-maskable and always have priority over every other CPU activity. If several hardware trap conditions are detected within the same instruction cycle, the highest priority trap is selected for servicing according to table 7.2 in section 7.1.

Whenever a trap occurs, the PSW, the IP, and in segmentation mode also the CSP, are pushed on the system stack. The CPU priority field of the PSW of the trap service routine is set to the highest possible priority level (i.e., level 15), thus disabling all interrupts. The CSP is set to code segment zero if segmentation is enabled. The trap service routine must be terminated with the RETI instruction.

The eight hardware trap functions of the SAB 80C166 are divided into two classes, class A and B. The traps of class A are the external Non-Maskable Interrupt (NMI#), the Stack Overflow, and the Stack Underflow trap. All of these traps have the same trap priority, but each of them has a separate vector address.

The traps of class B are the following:

- Undefined Opcode Trap
- Protection Fault Trap
- Illegal Word Operand Access Trap
- Illegal Instruction Access Trap
- Illegal External Bus Access Trap

These trap functions all share the same trap priority and vector address.

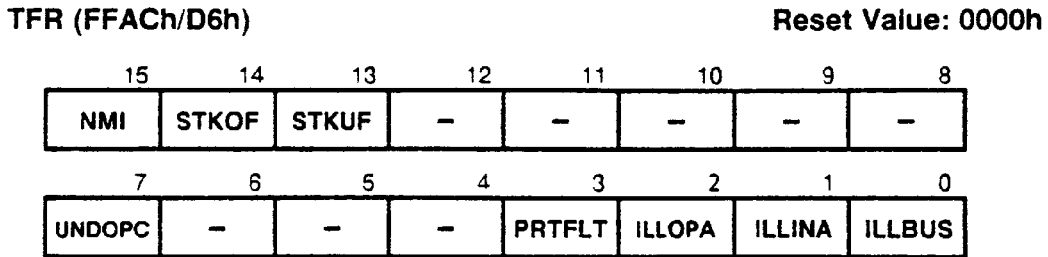
In order to allow a trap service routine to identify the kind of trap which caused the exception, a bit-addressable Special Function Register, the Trap Flag Register (TFR), is provided. Figure 7.12 shows the configuration of this register.

For each trap function, a separate request flag is implemented. When a hardware trap occurs, the corresponding request flag in the TFR register is set to '1'. It must be reset by software in the trap service routine, otherwise a new trap will be requested after exiting the service routine. Setting a trap request flag by software causes the same effects as if it had been set by hardware.

After the reset functions which have highest system priority (trap priority III), the traps of class A have the second highest priority (trap priority II). A class A trap can interrupt a class B trap, but not another class A trap. If more than one of the class A traps occurs at a time, an internal hardware prioritization takes place. The NMI trap has the highest, the stack underflow trap the lowest priority.

The traps of class B all have the same trap priority (trap priority I), which is lower than the priority of class A traps. Thus, class B traps can never interrupt class A traps; but pending class B traps will be executed after all class A traps are finished. In the case of simultaneously occurring class B traps, the corresponding flags in the TFR register are set and the trap service routine is entered. Since all class B traps have the same vector, the priority of service of simultaneously occurring class B traps is determined by software in the trap service routine.

Figure 7.12
Trap Flag Register TFR



Symbol	Position	Function
NMI	TFR.15	External Non-Maskable Interrupt Trap request flag. Set when a negative transition is detected at the NMI# pin. Must be reset by software.
STKOF	TFR.14	Stack Overflow Trap request flag. Set when the stack pointer value is less than the contents of the Stack Overflow (STKOV) register. Must be reset by software.
STKUF	TFR.13	Stack Underflow Trap request flag. Set when the stack pointer value is greater than the contents of the Stack Underflow (STKUV) register. Must be reset by software.
UNDOPC	TFR.7	Undefined Opcode Trap request flag. Set when the opcode of the instruction currently in decode is not a valid SAB 80C166 opcode. Must be reset by software.
PRTFLT	TFR.3	Protection Fault Trap request flag. Set when an illegal format of a protected instruction is detected. Must be reset by software.
ILLOPA	TFR.2	Illegal Word Operand Access Trap request flag. Set when a word operand read or write access is made to an odd byte address. Must be reset by software.
ILLINA	TFR.1	Illegal Instruction Access Trap request flag. Set when a branch is made to an odd byte address. Must be reset by software.
ILLBUS	TFR.0	Illegal External Bus Access Trap request flag. Set when an external access is requested and no external bus is configured. Must be reset by software.
-		(reserved)

A class A trap occurring during the execution of a class B trap service routine will be serviced immediately. During the execution of a class A trap service routine, however, any class B trap occurring will not be serviced until the class A trap service routine has finished. Thus, in this case, the occurrence of the class B trap is stored in the TFR register, but the IP value of the instruction which caused this trap is lost.

In the case where e.g. an Undefined Opcode trap occurs simultaneously with an NMI trap, both the NMI and the UNDOPC flag is set, the IP of the instruction with the undefined opcode is pushed onto the system stack, but the NMI trap is executed. After return from the NMI service routine, the IP is popped from the stack and immediately pushed again because of the pending UNDOPC trap.

7.3.2.1 External NMI Trap

Whenever a high to low transition on the dedicated external NMI# pin (Non-Maskable Interrupt) is detected, the NMI flag in register TFR is set and the CPU will enter the External NMI trap routine. The IP value pushed on the system stack is the address of the instruction following the one after which normal processing was interrupted by the NMI trap.

7.3.2.2 Stack Overflow Trap

Whenever the Stack Pointer value is decremented to a value which is less than the value in the Stack Overflow register STKOV, the STKOF flag is set in the TFR register and the Stack Overflow trap is entered. Which IP value will be pushed onto the system stack depends on which operation caused the decrement of the SP. When an implicit decrement of the SP is made through a Push or Call instruction, or upon interrupt or trap entry, the IP value pushed is the address of the following instruction. When the SP is decremented by a Subtract instruction, the IP value pushed represents the address of the instruction after the instruction following the Subtract instruction.

For recovery from stack overflow it must be ensured that there is enough excess space on the stack for twice saving the current system state (PSW, IP, in segmented mode also: CSP). Otherwise, a system reset should be generated. See chapter 13 for more details on stack usage.

7.3.2.3 Stack Underflow Trap

Whenever the Stack Pointer is incremented to a value which is greater than the value in the Stack Underflow register STKUN, the STKUF flag is set in the TFR register and the Stack Underflow trap is entered. Again, which IP value will be pushed onto the system stack depends on which operation caused the increment of the SP. When an implicit increment of the SP is made through a Pop or Return instruction, the IP value pushed is the address of the following instruction. When the SP is incremented by an Add instruction, the IP value pushed represents the address of the instruction after the instruction following the Add instruction. See chapter 13 for more details on stack usage.

7.3.2.4 Undefined Opcode Trap

Whenever the opcode of an instruction currently decoded by the CPU is not the opcode of a valid instruction in the SAB 80C166's instruction set, the UNDOPC flag is set in the TFR register and the CPU enters the Undefined Opcode trap. The IP value pushed onto the system stack is the address of the instruction that caused the trap.

This can be used to emulate unimplemented instructions. The trap service routine can examine the faulting instruction to decode operands for unimplemented opcodes based on the stacked IP. In order to resume processing, the stacked IP value must be incremented by the size of the undefined instruction which is determined by the user, before a RETI instruction is executed.

7.3.2.5 Protection Fault Trap

Whenever one of the special protected instructions is executed where the opcode of that instruction is not repeated twice in the second word of the instruction and the byte following the opcode is not the complement of the opcode, the PRTFLT flag in the TFR register is set and the Protection Fault Trap is entered. The protected instructions include DISWDT, EINIT, IDLE, PWRDN, SRST, and SRWDT. The IP value pushed onto the system stack for the protection fault trap is the address of the instruction that caused the trap.

7.3.2.6 Illegal Word Operand Access Trap

Whenever a word operand read or write access is made to an odd byte address, the ILLOPA flag is set and the Illegal Word Operand Access trap is entered. The IP value pushed onto the system stack is the address of the instruction following the one which caused the trap.

7.3.2.7 Illegal Instruction Access Trap

Whenever a branch is made to an odd byte address, the ILLINA flag is set in the TFR register and the Illegal Instruction Access trap is entered. The IP value pushed onto the system stack is the illegal odd target address of the branch instruction.

7.3.2.8 Illegal External Bus Access Trap

Whenever the CPU requests an external instruction or data fetch, and no external bus configuration has been specified in the BTYP field of the SYSCON register, the ILLBUS flag in the TFR register is set and the Illegal Bus Access trap is entered. The IP value pushed onto the system stack is the address of the instruction following the one which caused the trap.

8 Peripherals

This chapter provides a description of the functionality and programming of the peripherals incorporated in the SAB 80C166. Each of the peripheral units is discussed in a separate section: the CAPCOM unit in section 8.1, the General Purpose Timers (GPT) in section 8.2, the A/D Converter in section 8.3, the Serial Channels in section 8.4, and the Watchdog Timer in section 8.5.

Peripheral Interfaces

The peripherals generally have two different types of interfaces, an interface to the CPU and an interface to external hardware.

Communication between CPU and peripherals is performed through Special Function Registers (SFRs) and interrupts. The SFRs serve as control/status and data registers for the peripherals. Interrupt requests are generated by the peripherals based on specific events (e.g. operation complete, error) which occur during their operation.

For interfacing with external hardware, specific pins of ports P2, P3, or P5 are used when an input or output function has been selected for a peripheral. During this time, the port pins are controlled by the peripheral (when used as outputs) or by the external hardware which controls the peripheral (when used as inputs). This is called the 'alternate (input or output) function' of a port pin, in contrast to its function as a general purpose I/O pin.

Each port consists of a port data register and a direction control register (except for port 5 which is an input only port). The name Px ($x=0..5$) of a port data register is generally used to refer to the whole port Px. For reference to a port pin, the notation Px.y ($y=0..15$) for the associated bit in the port data register is used as well as the symbol for the alternate function of a port pin.

This chapter about the peripherals will provide all information which is necessary to use the alternate functions of a port in conjunction with a peripheral. A detailed description of the internal port structure will be given in chapter 10 (Parallel Ports).

Peripheral Timing

Internal operation of CPU and peripherals is based on the oscillator frequency (f_{osc}) divided by 2. The resulting frequency is referred to as 'system clock'. The basic time unit for internal operation of a chip is commonly called 'state time'. For the SAB 80C166, one state is defined as 2 periods of the oscillator frequency. When a 40 MHz oscillator is used, the internal system clock is 20 MHz, and 1 state lasts for 50 ns.

The clock which is gated to the peripherals is independent from the CPU clock. During Idle mode, the CPU clock is stopped while the peripherals continue their operation. Peripheral SFRs may be accessed by the CPU on ceper state. When an SFR is written to by software in the same state where it is also to be modified by the peripheral, the software write operation has priority. Further details on peripheral timing are included in the specific sections about each peripheral.

Programming Hints

- (1) All SFRs reside in data page 3 of the memory space. Whenever SFRs are to be accessed through indirect or direct addressing with 16-bit (mem) addresses, it must be guaranteed that data page 3 is selected by one of the data page pointer registers DPP0 through DPP3.
This is not required for accessing SFRs via short 8-bit (reg) addressing or via the Peripheral Event Controller (PEC), because in these cases the data page pointers are not used.
- (2) Byte write operations to word wide SFRs via indirect or direct 16-bit (mem) addressing or byte transfers via the PEC force zeros in the non-addressed byte. Byte write operations via short 8-bit (reg) addressing can only access the low byte of an SFR and force zeros in the high byte. It is therefore recommended to use the bit field instructions (BFLDL and BFLDH) to write to any number of bits in either byte of an SFR without disturbing the non-addressed byte and the unselected bits.
- (3) Some of the bits which are contained in the 80C166's SFRs are marked as 'reserved'. User software should never write '1's to reserved bits. These bits are currently not implemented and may be used in future SAB 80C166 family products to invoke new functions. In this case, the active state for these functions will be '1', and the inactive state will be '0'. In the SAB 80C166, the value read from reserved bits is 0.

8.1 Capture/Compare (CAPCOM) Unit

The CAPCOM unit supports generation and control of timing sequences on up to 16 channels with a minimum of software intervention. The CAPCOM unit is typically used to handle high speed I/O tasks such as pulse and waveform generation, pulse width modulation, or recording of the time at which specific events occur, and it also allows the implementation of up to 16 software timers. The maximum resolution of the CAPCOM unit is 400 ns (@ 40 MHz oscillator frequency).

CAPCOM Block Diagram

The CAPCOM unit consists of two 16-bit timers (T0 and T1), each with its own reload register (T0REL and T1REL), and a bank of sixteen dual purpose 16-bit capture/compare registers (CC0 through CC15).

The input clock for T0 or T1 is programmable to several prescaled values of the system clock, or it can be derived from an overflow/underflow of timer T6 in block GPT2. T0 may also operate in counter mode allowing it to be clocked by an external event.

Each capture/compare register may be programmed individually for capture or compare function, and each register may be allocated to either timer T0 or T1. Each capture/compare register has one pin of port 2 associated with it which serves as an input pin for the capture function or as an output pin for the compare function. The capture function causes the current timer contents to be latched into the capture/compare register based on an external event on its associated port 2 pin. The compare function may cause an output signal transition on that port 2 pin whose associated capture/compare register matches the current timer contents. Specific interrupt requests are generated up on each capture/compare event or upon timer overflow. Figure 8.1.1 shows a block diagram of the CAPCOM unit.

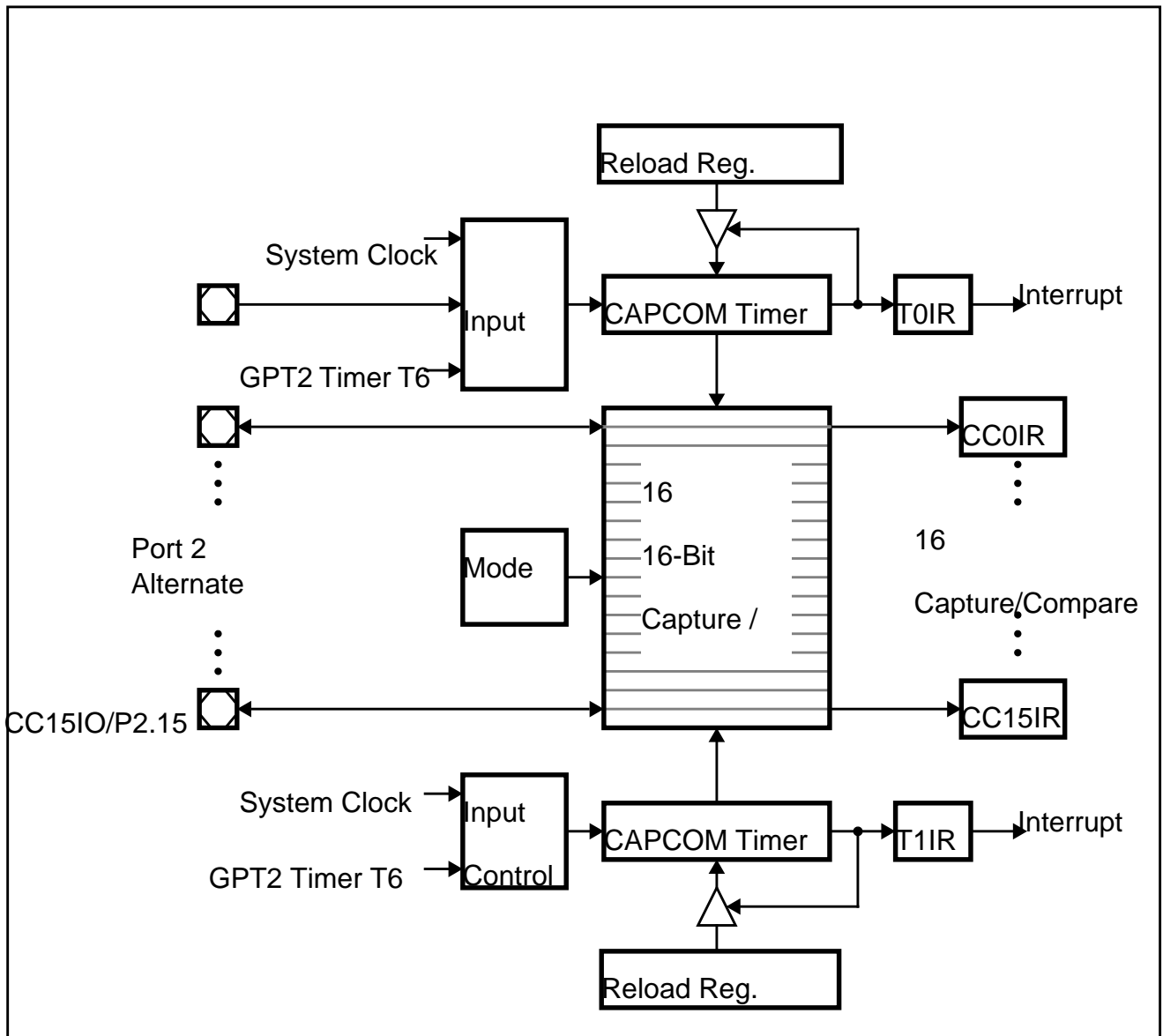


Figure 8.1.1
CAPCOM Unit Block Diagram

Register Overview

From the programmer's point of view, the term 'CAPCOM unit' refers to a set of SFRs which are associated with this peripheral, including the port pins which may be used for alternate input/output functions. As can be seen from figure 8.1.2, for each pin (e.g. P3.0) within a port there is a direction control bit (e.g. DP3.0) within the associated port direction control register (e.g. DP3). In this figure, those portions of port and direction registers which are not used by the CAPCOM unit for alternate functions are not shaded.

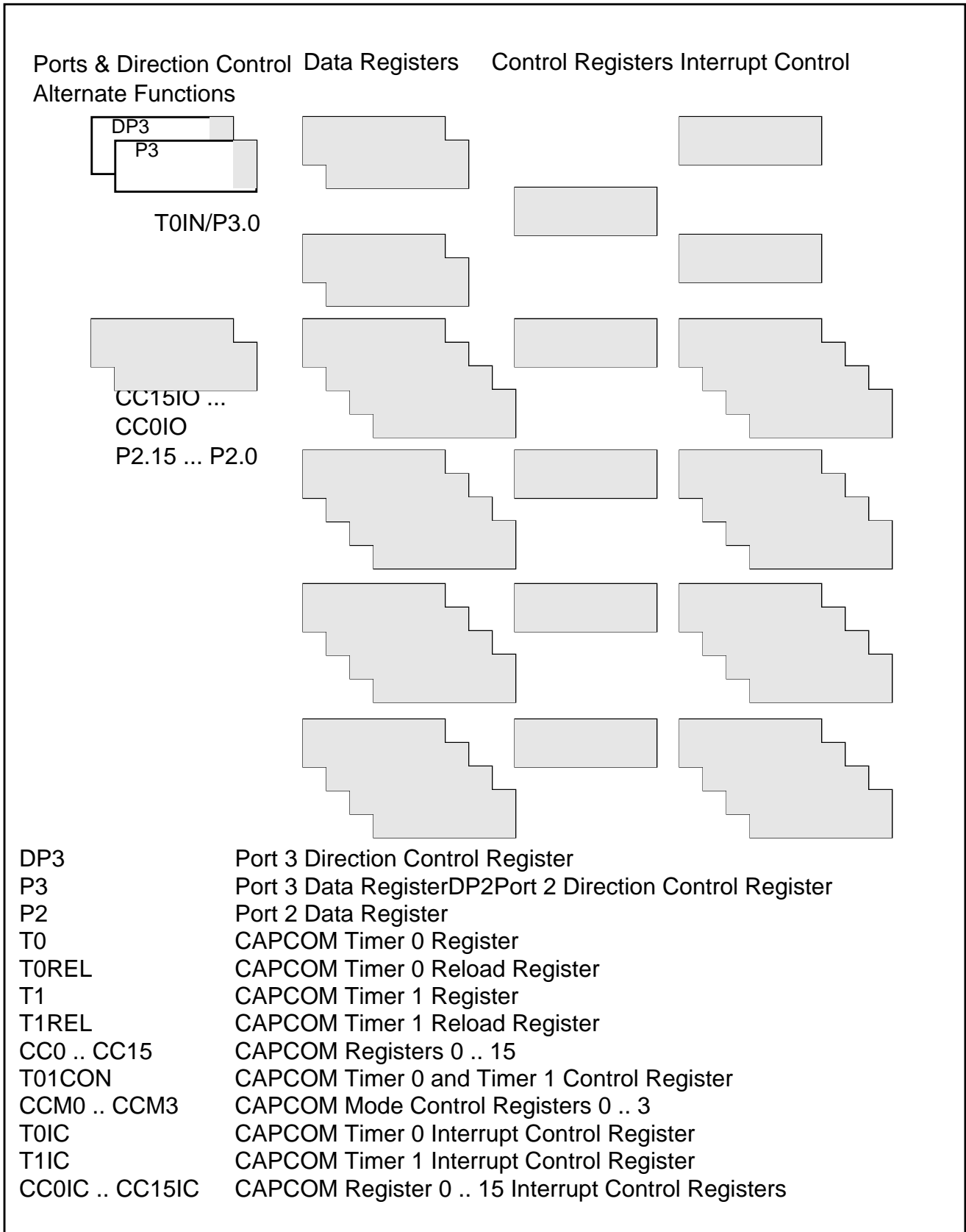


Figure 8.1.2
SFRs and Port Pins Associated with the CAPCOM Unit

8.1.1 Timers T0 and T1

The primary use of the timers T0 and T1 is to provide two independent time bases (400 ns maximum resolution for the capture/compare registers, but they may also be used independent of the capture/compare registers.

The functions of the timers T0 and T1 are controlled by the bit addressable 16-bit control register T01CON shown in figure 8.1.3. T1 is controlled by the upper byte, and T0 is controlled by the lower byte of T01CON.

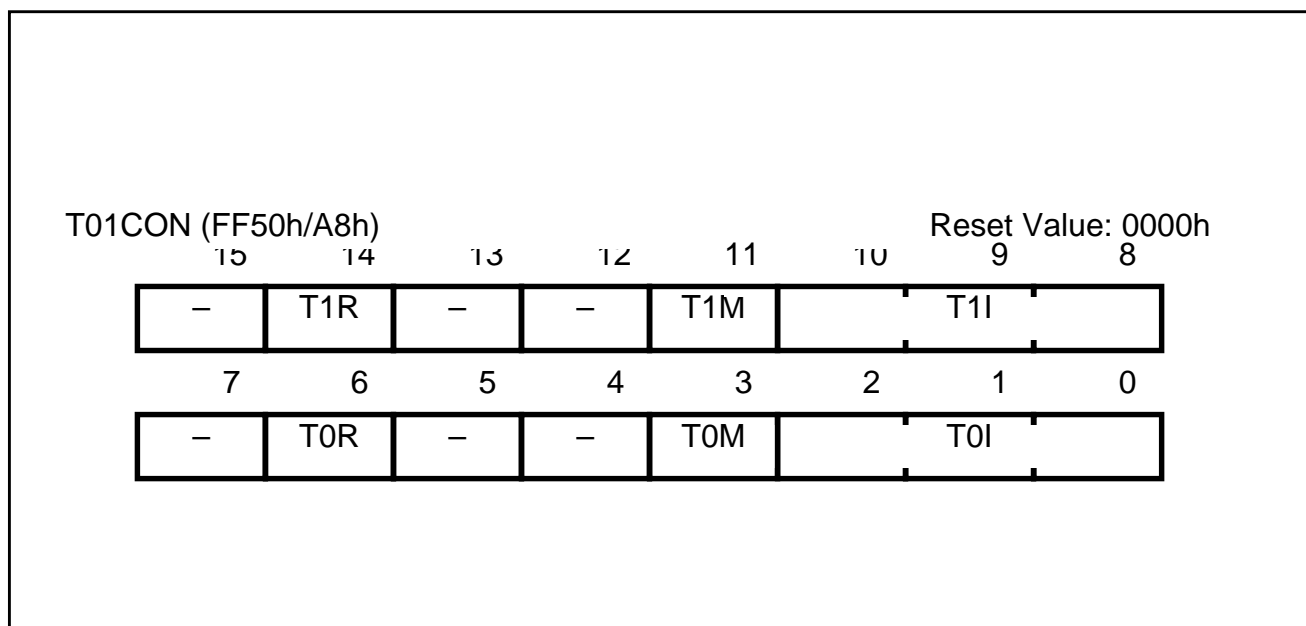


Figure 8.1.3
CAPCOM Timer 0 and 1 Control Register T01CON

Symbol	Position	Function
T0I	T01CON [2 ..0]	Timer/Counter 0 Input Selection For Timer mode, see table 8.1.1 For Counter mode, see table 8.1.2
T0M	T01CON.3	Timer/Counter 0 Mode Selection T0M = 0: Timer Mode T0M = 1: Counter Mode
T0R	T01CON.6	Timer/Counter 0 Run Bit T0R = 0: Timer/Counter 0 disabled T0R = 1: Timer/Counter 0 enabled
T1I	T01CON [10 .. 8]	Timer/Counter 1 Input Selection For Timer mode, see table 8.1.1. For Counter mode, see table 8.1.2
T1M	T01CON.11	Timer/Counter 1 Mode Selection T1M = 0: Timer Mode T1M = 1: Counter Mode
T1R	T01CON.14	Timer/Counter 1 Run Bit. T1R = 0: Timer/Counter 1 disabled T1R = 1: Timer/Counter 1 enabled
–		(reserved)

T0R and T1R are the run flags of T0 and T1, respectively. They allow for enabling and disabling the timers. The following description of the timer modes and operation always applies to the enabled state of the timers, i.e., when both T0R and T1R are set to '1'.

In all modes, both timer T0 and timer T1 are always counting upward. The current timer values are accessible by the CPU in timer registers T0 and T1, which are both non-bit-addressable SFRs. When T0 or T1 are written by the CPU in the state immediately before a timer increment or reload is to be performed, the CPU write operation has priority, and the increment or reload is disabled to guarantee correct timer operation.

8.1.1.1 Timer Mode

Bits T0M and T1M in SFR T01CON select between timer or counter mode for T0 or T1, respectively. In timer mode (T0M=0 or T1M=0), the input clock for a timer is derived from the internal system clock divided by a programmable prescaler. The different options for the prescaler are selected separately for T0 and T1 by the bit fields T0I and T1I.

The input frequencies f_{T0} and f_{T1} for T0 and T1 are determined as a function of the oscillator frequency as follows, where <T0I> and <T1I> represent the contents of the bit fields T0I and T1I:

$$f_{T0} = \frac{f_{OSC}}{16 * 2^{<T0I>}} , \quad f_{T1} = \frac{f_{OSC}}{16 * 2^{<T1I>}}$$

When a timer overflows from FFFFh to 0000h, it is reloaded with the value stored in its respective reload register T0REL or T1REL. The reload values determine the periods p_{T0} and p_{T1} between two consecutive overflows of T0 and T1 as follows:

$$p_{T0} = \frac{16 * (2^{16} - <T0REL>) * 2^{<T0I>}}{f_{OSC}} , \quad p_{T1} = \frac{16 * (2^{16} - <T1REL>) * 2^{<T1I>}}{f_{OSC}}$$

The timer input frequencies, resolution, and periods which result from the selected prescaler option in T0I or T1I when using a 40 MHz oscillator are listed in table 8.1.1. The numbers for the timer periods are based on a reload value of 0000h. Note that some numbers may be rounded to 3 significant digits.

Table 8.1.1
CAPCOM Timers T0 and T1 Input Frequencies, Resolution and Periods

$f_{OSC} = 40\text{MHz}$	Timer Input Selection T0I/T1I							
	000b	001b	010b	011b	100b	101b	110b	111b
Prescaler for f_{OSC}	16	32	64	128	256	512	1024	2048
Input Frequency	2.5 MHz	1.25 MHz	625 kHz	312.5 kHz	156.25 kHz	78.125 kHz	39.06 kHz	19.53 kHz
Resolution	400 ns	800 ns	1.6 μ s	3.2 μ s	6.4 μ s	12.8 μ s	25.6 μ s	51.2 μ s
Period	26 ms	52.5 ms	105 ms	210 ms	420 ms	840 ms	1.68 s	3.36 s

After a timer has been started by setting its run flag (T0R or T1R) to '1', the first increment will occur within the time interval which is defined by the selected timer resolution. All further increments occur exactly after the time defined by the timer resolution. When both timers are to be incremented or reloaded at the same time, T0 is always serviced one state before T1.

8.1.1.2 Counter Mode

Counter mode is selected for timer T0 or T1 by setting the appropriate mode selection bit (T0M or T1M) in register T01CON to '1'. Both timers can operate in counter mode by counting the overflows/underflows of timer T6 in block GPT2 (see section 8.2.2 for details on GPT2). In addition, timer T0 offers the capability of being clocked by external events. Either a positive, a negative, or both a positive and a negative transition at pin T0IN (alternate input function of port pin P3.0) can be selected to cause an increment of T0.

When T1 is programmed to run in counter mode (T1M=1), bit field T1I is used to enable the overflows/underflows of timer T6 as the count source for T1. This is the only option for T1, and it is selected by the combination T1I=X00b. When bit field T1I is programmed to other combinations, timer T1 stops.

When T0 is programmed to run in counter mode (T0M=1), bit field T0I is used to select the count source and transition which should cause a count trigger for T0. Table 8.1.2 shows the possible selections for the counter mode of timers T0 and T1.

Table 8.1.2
Input Selection for T0 and T1 in Counter Mode

Counter T0 is Incremented on	T0I/T1I			Counter T1 is incremented on
	(2)	(1)	(0)	
Overflow or Underflow of GPT2 Timer T6	X	0	0	Overflow or Underflow of GPT2 Timer T6
Positive External Transition at Pin T0IN	X	0	1	(Counter T1 stops)
Negative External Transition at Pin T0IN	X	1	0	(Counter T1 stops)
Positive and Negative Transition at T0IN	X	1	1	(Counter T1 stops)

In order to use pin P3.0/T0IN as external count input pin for T0, P3.0 must be configured as input, i.e., the corresponding direction control bit DP3.0 in register DP3 must be set to '0'. If P3.0/T0IN is configured as output, timer T0 may be clocked by modifying port data register bit P3.0 through software, e.g. for testing purposes.

The maximum external input frequency to T0 in counter mode is $f_{OSC}/16$ (1.25 MHz @ 40 MHz f_{OSC}). To ensure that a signal transition is properly recognized, an external count input signal should be held for at least 8 state times before it changes its level again. The incremented count value appears in SFR T0 within 8 state times after the signal transition at pin T0IN.

8.1.1.3 Reload

A reload of a timer with the 16-bit value stored in its associated reload register is performed in timer mode as well as in counter mode each time a timer overflows from FFFFh to 0000h. The reload registers T0REL and T1REL are not bit-addressable.

8.1.1.4 Timer T0 and T1 Interrupts

Upon timer overflow, the corresponding timer interrupt request flag T0IR or T1IR for the respective timer will be set. This flag can be used to generate an interrupt or trigger a PEC service request when enabled by the interrupt enable bits T0IE or T1IE.

Each of the two timers (T0 or T1) has its own bit-addressable interrupt control register (T0IC or T1IC) and its own interrupt vector (T0INT or T1INT). Figure 8.1.4 shows the organization of the interrupt control registers T0IC and T1IC. Refer to chapter 7 for more details on the interrupt control registers.

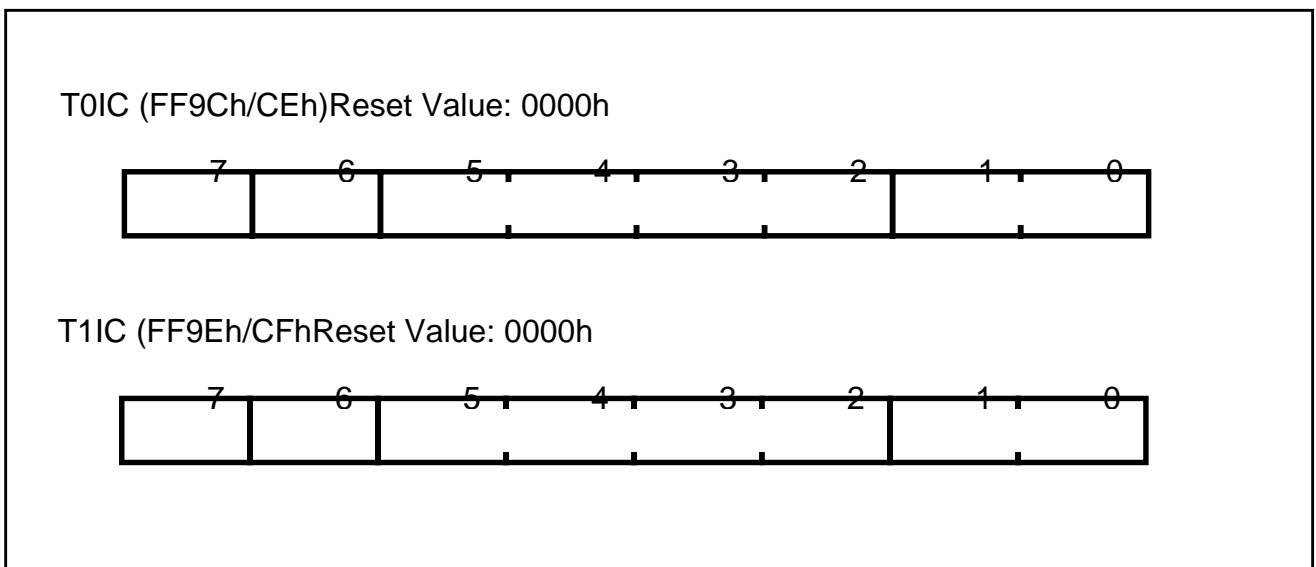


Figure 8.1.4
CAPCOM Timer T0 and T1 Interrupt Control Registers T0IC and T1IC

8.1.1.5 Block Diagram

The following block diagrams illustrate the selection of the available functions for timer T0 and timer T1. Figure 8.1.5 shows a block diagram of timer T0, while figure 8.1.6 shows a block diagram of timer T1.

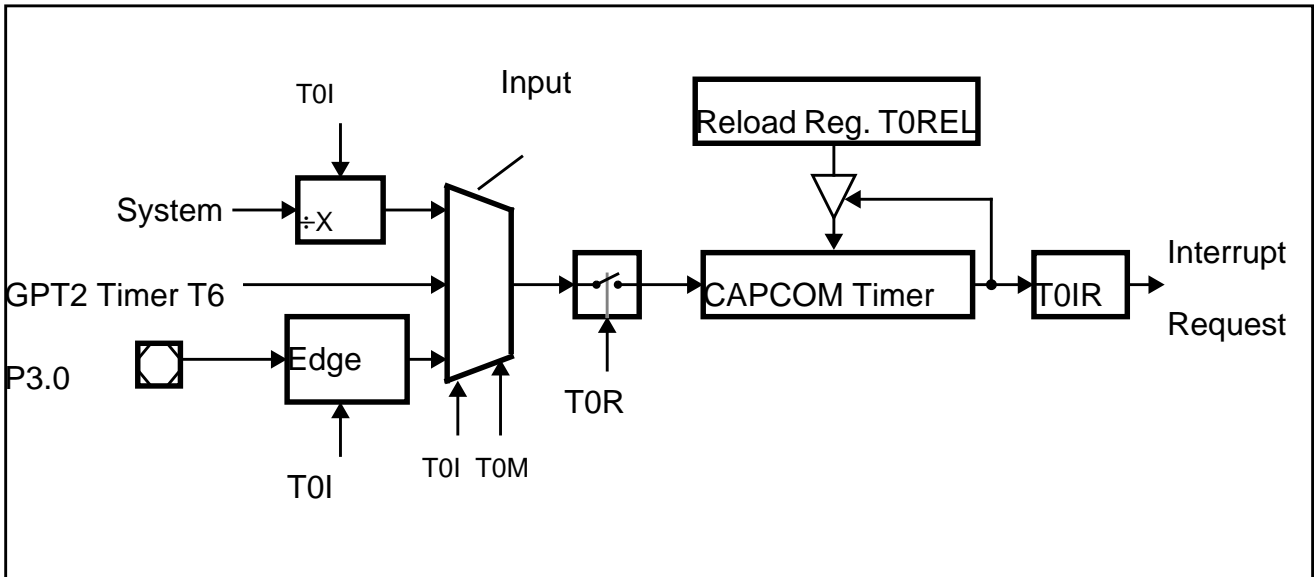


Figure 8.1.5
CAPCOM Timer T0 Block Diagram

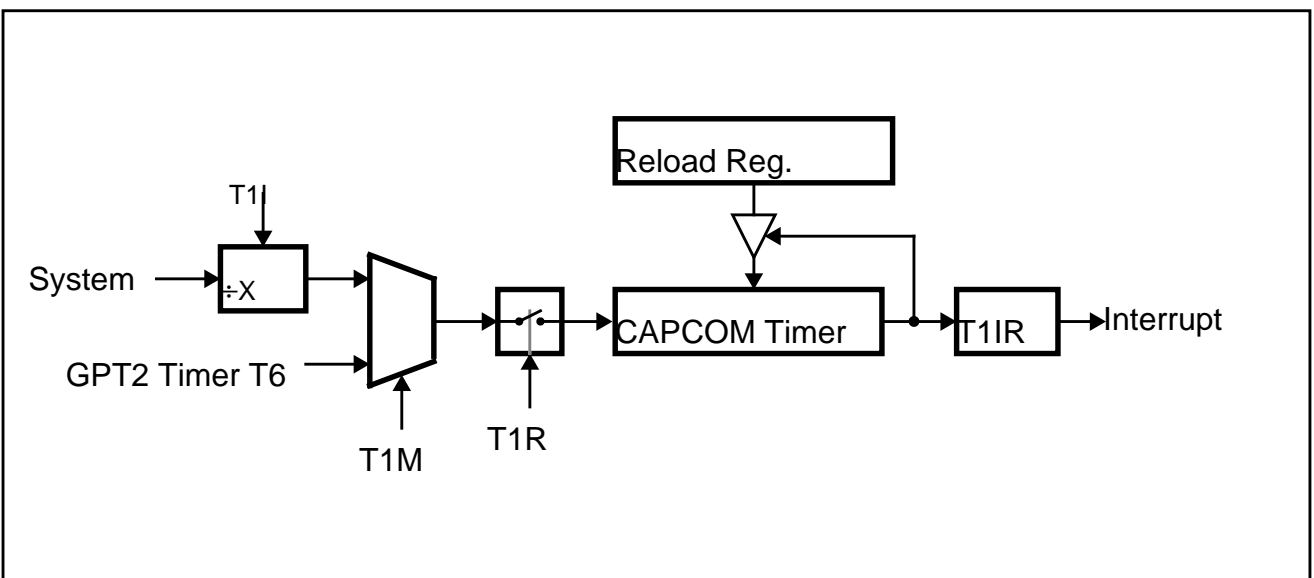


Figure 8.1.6
CAPCOM Timer T1 Block Diagram

8.1.2 Capture/Compare Registers

The sixteen 16-bit capture/compare registers CC0 through CC15 are used as data registers for capture or compare operations with respect to timer T0 and T1. The capture/compare registers are not bit-addressable.

Each of the registers CC0 through CC15 may be individually programmed for capture- or one of 4 different compare modes, and may be allocated individually to one of the timers T0 or T1. A special combination of compare modes additionally allows the implementation of a 'double-register' compare mode. When capture or compare operation is disabled for one of the registers, it may be used for general purpose variable storage.

The functions of the 16 capture/compare registers are controlled by 4 bit-addressable 16-bit mode control registers named CCM0, CCM1, CCM2, and CCM3, which are all organized identically. Each register contains bits for the mode selection and timer allocation of four capture/compare registers. Figure 8.1.7 shows the organization of CAPCOM mode control register CCM0, while figure 8.1.8 shows the organization of CAPCOM mode control registers CCM1, CCM2, and CCM3. As the selection of the individual operating mode is identical for each of the capture/compare registers, only a detailed description of register CCM0 is included in figure 8.1.7. The description for registers CCM1 through CCM3 is identical except for the indices of the respective capture/compare registers.

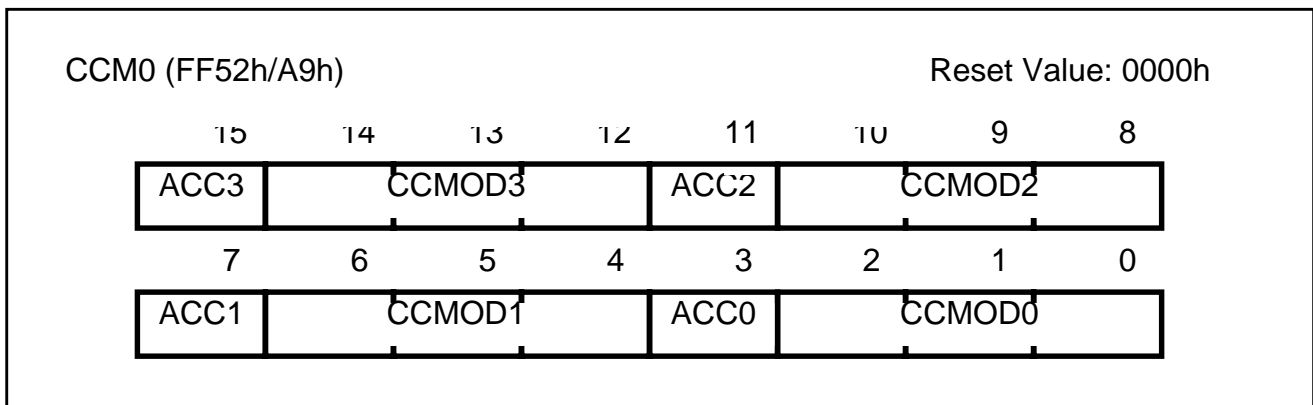


Figure 8.1.7
CAPCOM Mode Control Register CCM0

Symbol	Position	Function
CCMOD0	CCM0 [2 .. 0]	Capture/Compare Register CC0 Mode Selection (see table 8.1.3)
ACC0	CCM0.3	Capture/Compare Register CC0 Allocation Bit ACC0 = 0: CC0 allocated to Timer 0 ACC0 = 1: CC0 allocated to Timer 1
CCMOD1	CCM0 [6 .. 4]	Capture/Compare Register CC1 Mode Selection (see table 8.1.3)
ACC1	CCM0.7	Capture/Compare Register CC1 Allocation Bit ACC1 = 0: CC1 allocated to Timer 0 ACC1 = 1: CC1 allocated to Timer 1
CCMOD2	CCM0 [10 .. 8]	Capture/Compare Register CC2 Mode Selection (see table 8.1.3)
ACC2	CCM0.11	Capture/Compare Register CC2 Allocation Bit ACC2 = 0: CC2 allocated to Timer 0 ACC2 = 1: CC2 allocated to Timer 1
CCMOD3	CCM0 [14 .. 12]	Capture/Compare Register CC3 Mode Selection (see table 8.1.3)
ACC3	CCM0.15	Capture/Compare Register CC3 Allocation Bit ACC3 = 0: CC3 allocated to Timer 0 ACC3 = 1: CC3 allocated to Timer 1

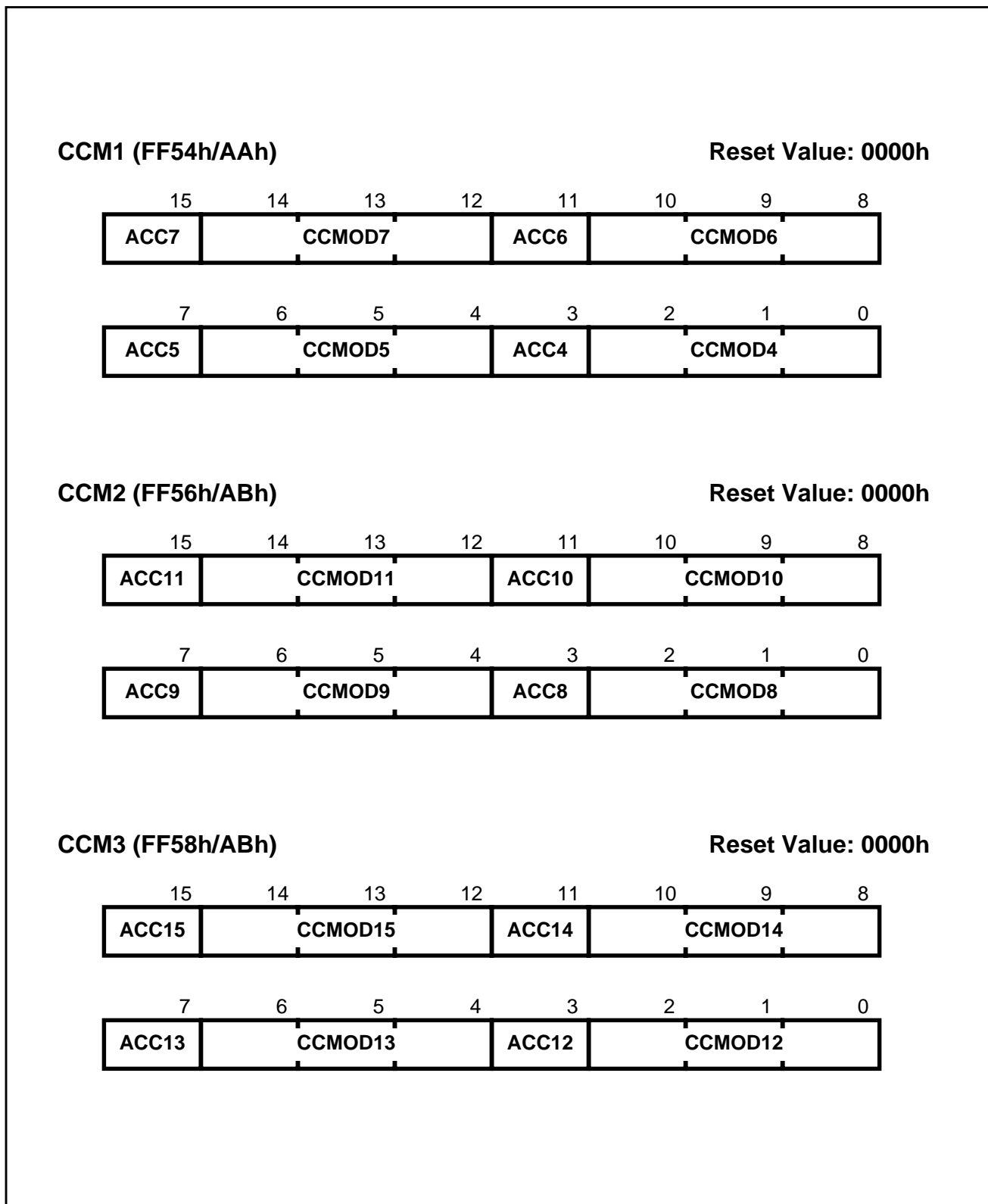


Figure 8.1.8
CAPCOM Mode Control Registers CCM1, CCM2, CCM3

Table 8.1.3 lists the possible capture and compare modes which can be programmed for each capture/compare register. The different modes are discussed in detail in the following subsections.

Table 8.1.3
Capture/Compare Register Mode Selection; x=(0..15)

CCMODx			Function
(2)	(1)	(0)	
0	0	0	Capture/Compare Disabled
0	0	1	Capture on Positive External Transition at Pin CCxIO
0	1	0	Capture on Negative External Transition at Pin CCxIO
0	1	1	Capture on Positive and Negative External Transition at Pin CCxIO
1	0	0	Compare Mode 0: Interrupt only; several interrupts per timer period; enables double-register compare mode for registers CC8 through CC15
1	0	1	Compare Mode 1: Pin toggles on each match; several compare events per timer period; registers CC0 through CC7 have to be in this mode for double-register compare operation
1	1	0	Compare Mode 2: Interrupt only; only one interrupt per timer period
1	1	1	Compare Mode 3: Pin set on match: pin reset on timer overflow; only one compare event per timer period

As each of the 16 capture/compare registers CC0 through CC15 can be programmed to any of the available capture or compare modes, these modes will be described in detail in the following only for one representative capture/compare register which is referred to as CCx. The index x may be substituted by any of the indices 0 through 15.

Identically, the Port 2 pin which is associated with register CCx will be referred to as CCxIO, where CCxIO is the alternate function of P2.x. The interrupt request flag which is associated with capture/compare register CCx is referred to as CCxIR, and the allocation and mode control bits for CCx are referred to as ACCx and CCMODx, respectively.

8.1.2.1 Capture Mode

The contents of the timer (T0 or T1, according to the state of the allocation control bit ACCx) are latched into the allocated capture register CCx in response to an external event. The external event causing a capture can be programmed to be either a positive, a negative, or both a positive and a negative transition at the respective external input pin CCxIO.

The active transition is selected by the mode bits CCMODx in the respective CAPCOM mode control register. In any case, the event causing a capture will also set the respective interrupt request flag CCxIR which can cause an interrupt or a PEC service request when enabled.

Figure 8.1.9 shows a block diagram for one capture/compare register in capture mode.

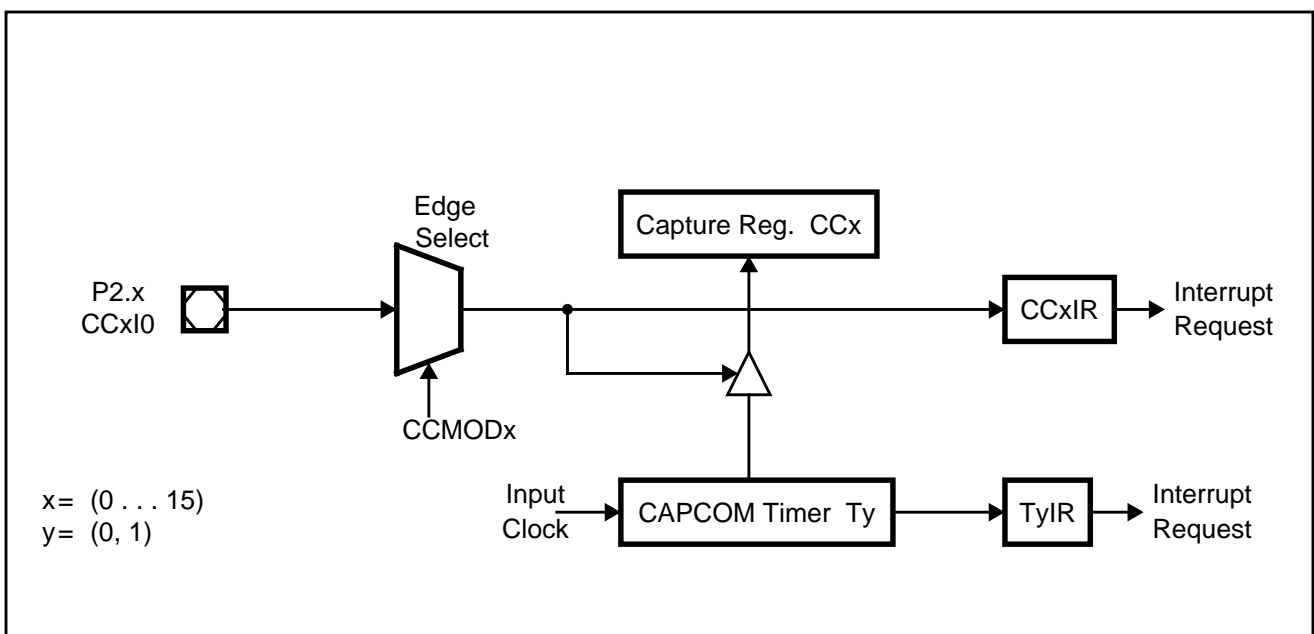


Figure 8.1.9
Capture Mode Block Diagram

In order to use pin $P2.x/CCxIO$ as external capture input pin for capture register CCx , $P2.x$ must be configured as input, i.e., the corresponding direction control bit $DP2.x$ in register $DP2$ must be set to '0'. To ensure that a signal transition is properly recognized, an external capture input signal should be held for at least 8 state times before it changes its level.

During these 8 states, the capture input signals are scanned sequentially. When a timer is modified or incremented during this process, the new timer contents will already be captured for the remaining capture registers within the scanning sequence.

If $P2.x/CCxIO$ is configured as output, the capture function may be performed by modifying port data register bit $P2.x$ through software, e.g. for testing purposes.

8.1.2.2 Compare Modes

The compare modes allow triggering of events with minimum software overhead. In all compare modes, the 16-bit value stored in compare register CCx (in the following also referred to as 'compare value') is continuously compared with the contents of the timer (T0 or T1) to which the register is allocated. If the current timer contents match the compare value, an appropriate output signal which is based on the selected compare mode can be generated at the corresponding Port 2 pin, and an interrupt request is generated by setting the associated interrupt request flag CCxIR.

As for the capture mode, the compare registers are also processed sequentially during compare mode. When any two compare registers are programmed to the same compare value, their corresponding interrupt request flags will be set to '1' and the selected output signals will be generated within 8 state times after the allocated timer is incremented to the compare value. Further compare events on the same compare value are disabled until the timer is incremented or written to by software. After a reset, compare events for register CCx will only become enabled if the allocated timer has been incremented or written to by software and one of the compare modes described in the following has been selected for this register.

The different compare modes which can be programmed for a given compare register CCx are selected by the mode control field CCMODx in the associated capture/compare mode control register (see table 8.1.3). In the following, each of the compare modes, including the special 'double-register' mode, is discussed in detail.

8.1.2.2.1 Compare Mode 0

This is an interrupt-only mode which can be used for software timing purposes. Compare mode 0 is selected for a given compare register CCx by setting bit field CCMODx of the corresponding mode control register to '100b'.

In this mode, interrupt request flag CCxIR is set each time a match is detected between the contents of compare register CCx and the allocated timer. Several of these compare events are possible within a single timer period when the compare value in register CCx is updated during the timer period. The corresponding Port 2 pin P2.x is not affected by compare events in this mode and can be used as a normal I/O pin.

If compare mode 0 is programmed for one of the registers CC8 to CC15, the double-register compare mode becomes enabled for this register if the corresponding bank 1 register is programmed to compare mode 1 (see section 8.1.2.2.5 for details on the double-register mode).

Figure 8.1.10 shows a functional diagram of a compare register CCx configured for compare mode 0. Note that the port latch and pin remain unaffected in compare mode 0. Figure 8.1.11 shows a simple timing example for this mode. In this example, the compare value in register CCx is modified from cv1 to cv2 after compare events #1 and #3, and from cv2 to cv1 after events #2 and #4, etc. . This results in periodic interrupt requests from timer Ty, and in interrupt requests from register CCx which occur at the time specified by the user through cv1 and cv2.

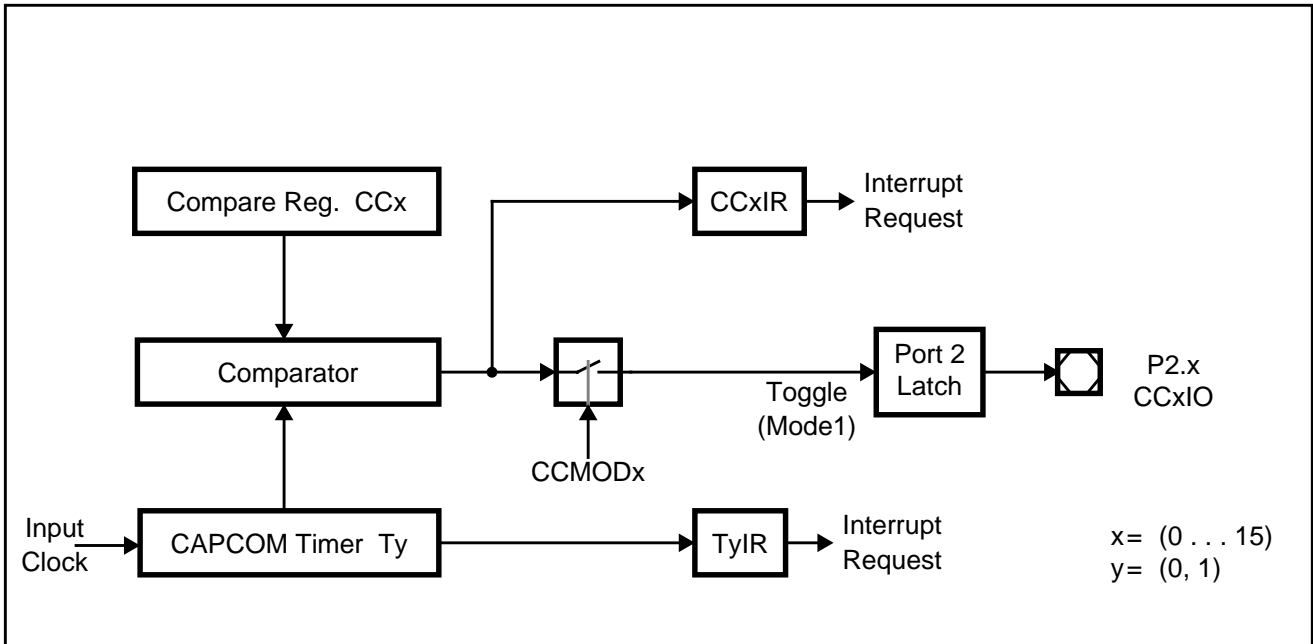


Figure 8.1.10
Compare Mode 0 and 1 Block Diagram

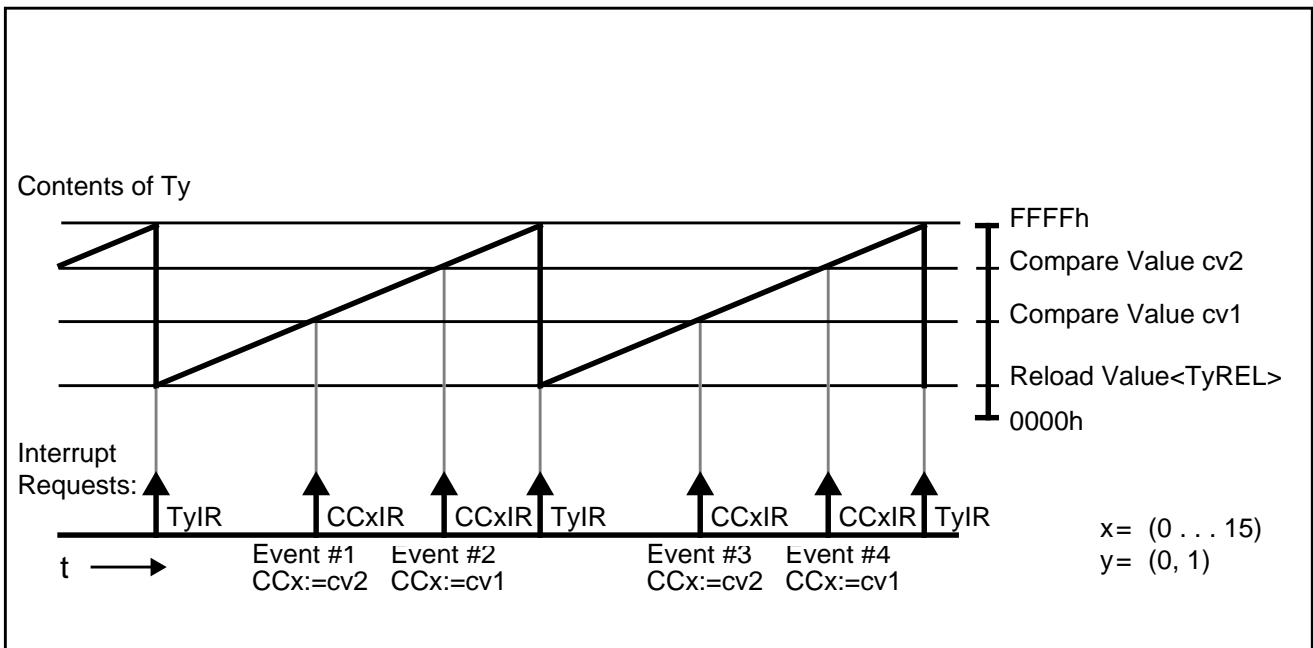


Figure 8.1.11
Timing Example for Compare Mode 0

8.1.2.2.2 Compare Mode 1

Compare mode 1 is selected for register CCx by setting bit field CCMODx of the corresponding mode control register to '101b'.

When a match between the contents of the allocated timer and the compare value in register CCx is detected in this mode, interrupt request flag CCxIR is set to '1', but also the corresponding pin CCxIO (alternate output function of Port 2 pin P2.x) is toggled. For this purpose, the state of Port 2 output latch P2.x (not the pin) is read, inverted, and then written back to the output latch.

Compare mode 1 allows several compare events within a single timer period. An overflow of the timer to which compare register CCx is allocated has no effect on pin P2.x, nor does it disable or enable further compare events.

In order to use pin P2.x/CCxIO as compare signal output pin for compare register CCx in compare mode 1, P2.x must be configured as output, i.e., the corresponding direction control bit DP2.x in register DP2 must be set to '1'. With this configuration, the initial state of the output signal can be programmed or its state can be modified at any time by writing to bit latch P2.x. However, if P2.x is written to by software at the same time it would be altered by a compare event, the software write will have priority. In this case, the hardware-triggered change will not become effective.

For operation in the double-register compare mode, compare mode 1 must be selected for the registers CC0 to CC7 (see section 8.1.2.2.5 for details on the double register mode).

Figure 8.1.12 shows the timing example from the previous section, now for compare mode 1. The functional block diagram of a compare register in compare mode 1 is included in figure 8.1.10 of the previous section. Note that in compare mode 1 the port latch is toggled upon each compare event.

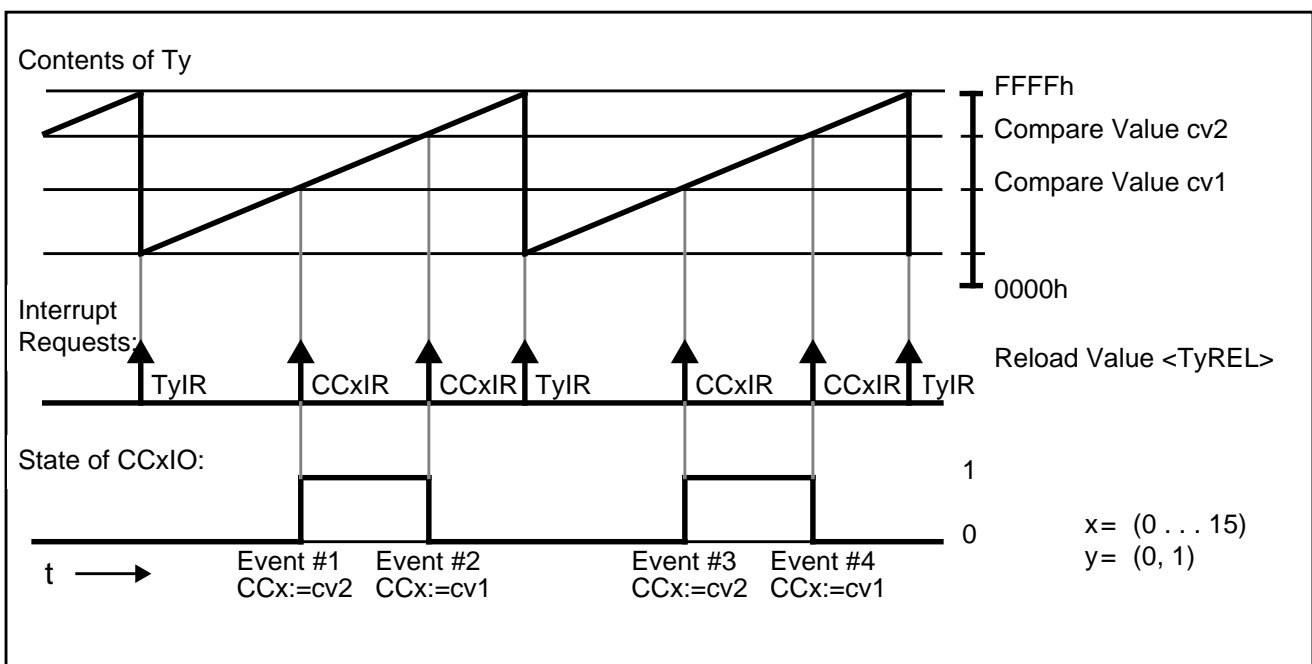


Figure 8.1.12
Timing Example for Compare Mode 1

8.1.2.2.3 Compare Mode 2

Compare mode 2 is an interrupt-only mode similar to compare mode 0, but only one interrupt request per timer period will be generated. Compare mode 2 is selected for register CCx by setting bit field CCMODx of the corresponding mode control register to '110b'.

When a match is detected in compare mode 2 for the first time within a timer period, interrupt request flag CCxIR is set to '1'. The corresponding Port 2 pin P2.x is not affected and can be used as a normal I/O pin. However, after the first match has been detected in this mode, all further compare events within the same timer period are disabled for compare register CCx until the allocated timer overflows. This means that, after the first match, even when the compare register is reloaded with a value higher than the current timer value, no compare event will occur until the next timer period.

Figure 8.1.13 shows a functional diagram of a compare register configured for compare mode 2. Note that the port latch and pin remain unaffected in compare mode 2. Figure 8.1.14 shows a simple timing example for this compare mode. In this example, the compare value in register CCx is modified from cv1 to cv2 after compare event #1. However, compare event #2 will not occur until the next period of timer Ty.

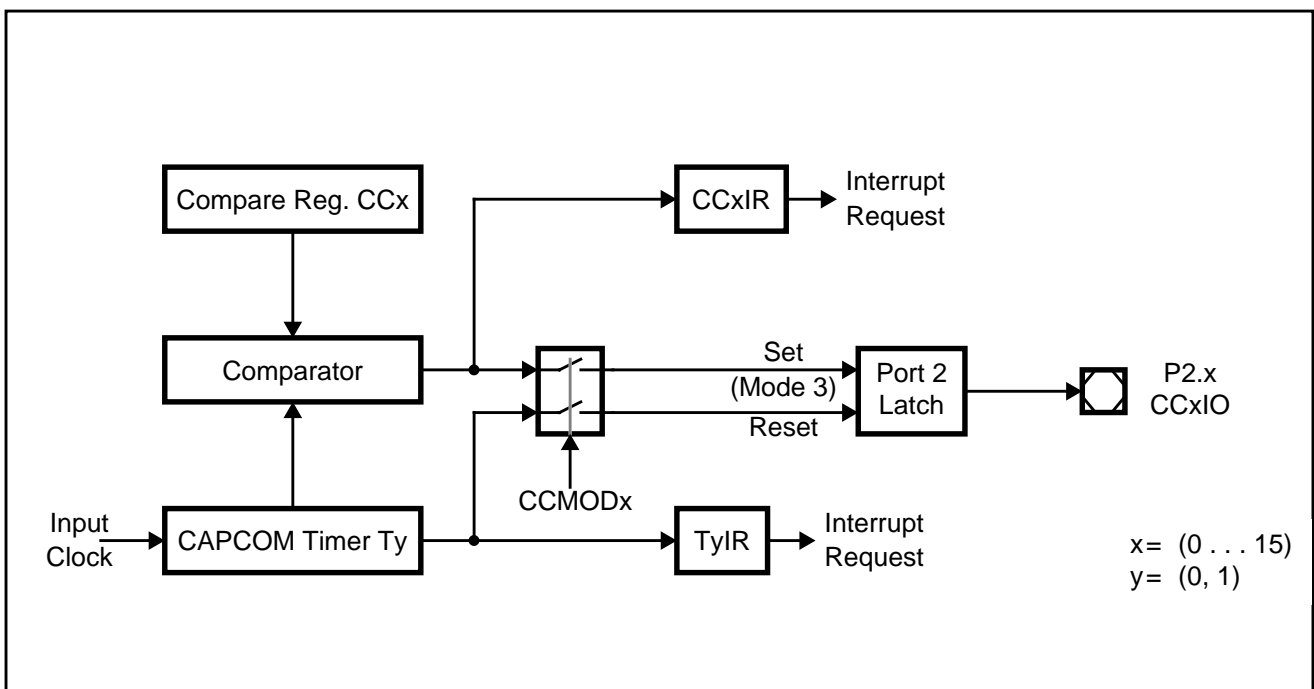


Figure 8.1.13
Compare Mode 2 and 3 Block Diagram

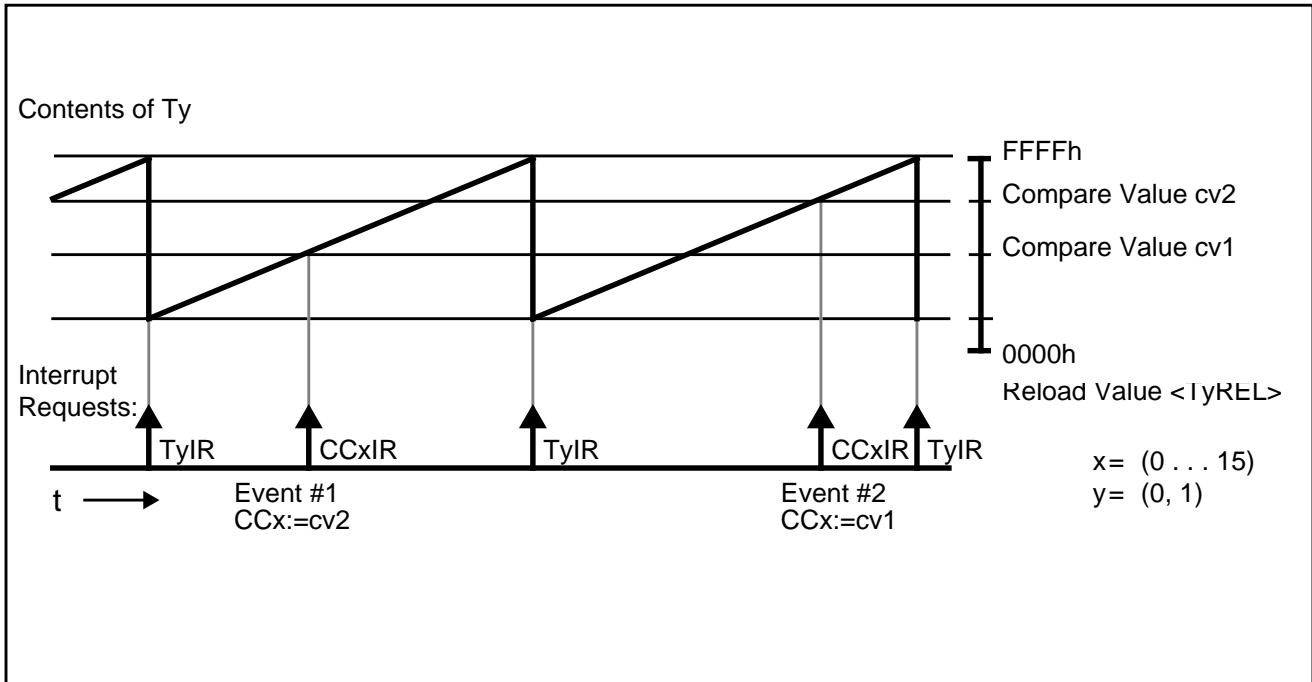


Figure 8.1.14
Timing Example for Compare Mode 2

8.1.2.2.4 Compare Mode 3

Compare mode 3 is selected for register CCx by setting bit field CCMODx of the corresponding mode control register to '111b'. In compare mode 3, only one compare event will be generated per timer period.

When the first match within the timer period is detected, interrupt request flag CCxIR is set to '1' and pin CCxIO (alternate function of Port 2 pin P2.x) will be set to '1'. The pin will be reset to '0' when the allocated timer overflows. If a match was found for register CCx in this mode, all further compare events during the current timer period are disabled for CCx until the corresponding timer overflows. If, after a match was detected, the compare register is reloaded with a new value, this value will not become effective until the next timer period.

In order to use pin P2.x/CCxIO as compare signal output pin for compare register CCx, P2.x must be configured as output, i.e., the corresponding direction control bit DP2.x in register DP2 must be set to '1'. With this configuration, the initial state of the output signal can be programmed or its state can be modified at any time by writing to bit latch P2.x.

Figure 8.1.15 shows the timing example from the previous section, now for compare mode 3. The functional block diagram of a compare register in compare mode 3 is included in figure 8.1.13 of the previous section. Note that in compare mode 3 the port latch is set by the compare event and reset by the next timer overflow.

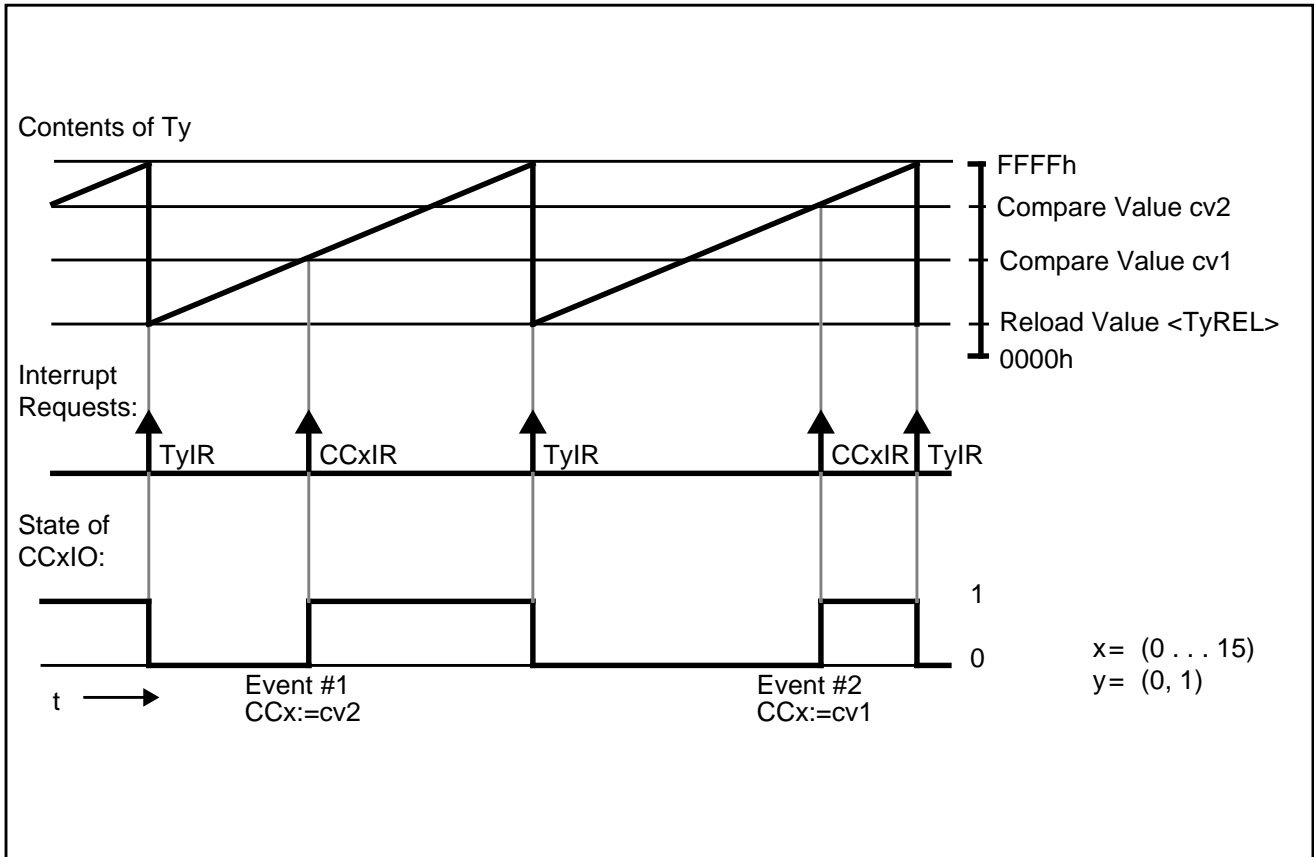


Figure 8.1.15
Timing Example for Compare Mode 3

8.1.2.2.5 Double-Register Compare Mode

In the double-register compare mode, two compare registers work together to control one pin. This mode is selected by a special combination of modes for the two registers.

For the double-register mode, the 16 capture/compare registers are regarded as two banks of 8 registers each. Registers CC0 through CC7 form bank 1, while registers CC8 through CC15 form bank 2. For the double-register mode, a bank 1 register and a bank 2 register form a register pair. Both registers of the register pair operate on the pin associated with the bank 1 register (pins CC0IO through CC7IO, which are the alternate functions of Port 2 pins P2.0 through P2.7). Table 8.1.4 shows the relationship between the bank 1 and 2 register pairs and the affected pins for the double-register mode.

Table 8.1.4
Double-Register Mode Compare Register Pairs

Register Pair		Associated Pin
Bank 1	Bank 2	
CC0	CC8	CC0IO
CC1	CC9	CC1IO
CC2	CC10	CC2IO
CC3	CC11	CC3IO
CC4	CC12	CC4IO
CC5	CC13	CC4IO
CC6	CC14	CC6IO
CC7	CC15	CC7IO

The double-register mode can be programmed individually for each register pair. In order to enable the double-register mode, a bank 1 register (CC0 through CC7) must be programmed for compare mode 1, and the corresponding bank 2 register (CC8 through CC15) must be programmed for compare mode 0. If the corresponding bank 1 compare register is disabled or programmed for a mode other than mode 1, the bank 2 register will operate in compare mode 0 (interrupt-only mode) as described in section 8.1.2.2.1.

In the following, a bank 2 register (programmed to compare mode 0) will be referred to as CCz, while the corresponding bank 1 register (programmed to compare mode 1) will be referred to as CCx.

When a match is detected for one of the two registers in a register pair (CCx or CCz), the associated interrupt request flag (CCxIR or CCzIR) is set to '1' and pin CCxIO corresponding to bank 1 register CCx is toggled. The interrupt generated always corresponds to the register that caused the match.

NOTE: If a match occurs simultaneously for both register CCx and register CCz of the register pair, pin CCxIO will be toggled only once, but two separate compare interrupt requests will be generated, one for vector CCxINT, and one for vector CCzINT.

In order to use pin P2.x/CCxIO as compare signal output pin in the double-register mode, P2.x must be configured as output, i.e., the corresponding direction control bit DP2.x in register DP2 must be set to '1'. With this configuration, P2.x has the same characteristics as in compare mode 1.

Figure 8.1.16 shows a functional diagram of a register pair configured for the double-register compare mode. In this configuration example, the same timer allocation was chosen for both compare registers, but each register may also be individually allocated to either timer T0 or T1. Figure 8.1.17 shows a timing example for this compare mode. In this example, the compare values in registers CCx and CCz are not modified.

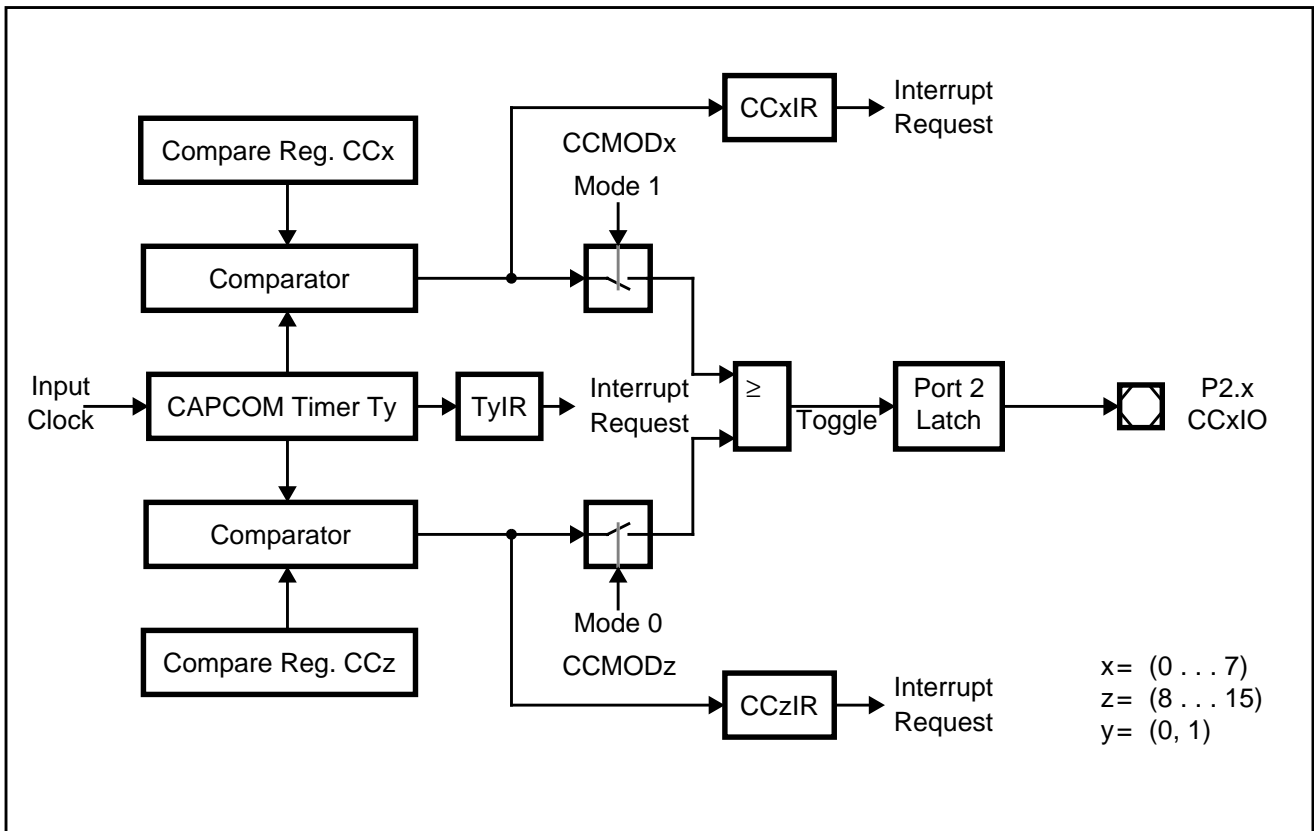


Figure 8.1.16
Double-Register Compare Mode Block Diagram

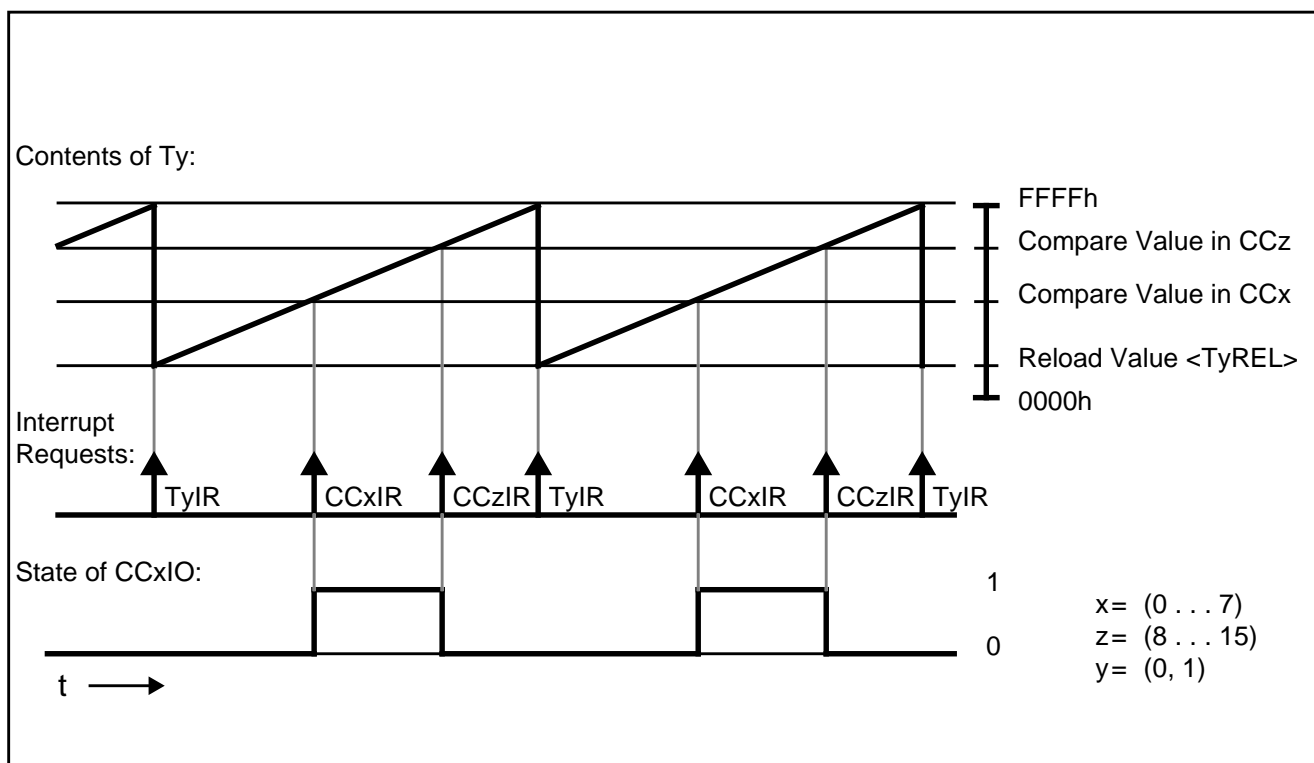


Figure 8.1.17
Timing Example for the Double-Register Compare Mode

8.1.2.3 Capture/Compare Interrupts

Upon a capture or compare event, the interrupt request flag CCxIR for the respective capture/compare register CCx is set to '1'. This flag can be used to generate an interrupt or trigger a PEC service request when enabled by the interrupt enable bit CCxIE.

Capture interrupts can be regarded as external interrupt requests with the additional feature of recording the time at which the triggering event occurred (see also section 7.2.7).

Each of the 16 capture/compare registers (CC0 through CC15) has its own bit-addressable interrupt control register (CC0IC through CC15IC) and its own interrupt vector (CC0INT through CC15INT). Figure 8.1.18 shows the organization of the interrupt control registers CC0IC through CC15IC. Refer to chapter 7 for more details on the interrupt control registers.

8.2 General Purpose Timers (GPT)

The GPT unit represents a very flexible multifunctional timer structure which may be used for timing, event counting, pulse width measurement, pulse generation, frequency multiplication, and other purposes. It incorporates five 16-bit timers that have been divided into two blocks, GPT1 and GPT2.

Block GPT1 contains 3 timers/counters, while block GPT2 contains 2 timers/counters and a 16-bit Capture/Reload register (CAPREL). The GPT2 timers have a maximum resolution of 200 ns (@ 40 MHz oscillator frequency), the resolution of the GPT1 timers is 400 ns. Each timer in each block may operate independently in a number of different modes such as gated timer or counter mode, or may be concatenated with another timer of the same block. The auxiliary timers of GPT1 may optionally be configured as reload or capture registers for the core timer. In the GPT2 block, the additional CAPREL register supports capture and reload operation with extended functionality, and its core timer T6 may be concatenated with CAPCOM timers T0 and T1. Each block has alternate input/output functions and specific interrupts associated with it. Figures 8.2.1 and 8.2.2 show block diagrams of GPT1 and GPT2. In the following, the GPT1 and GPT2 blocks will be described separately.

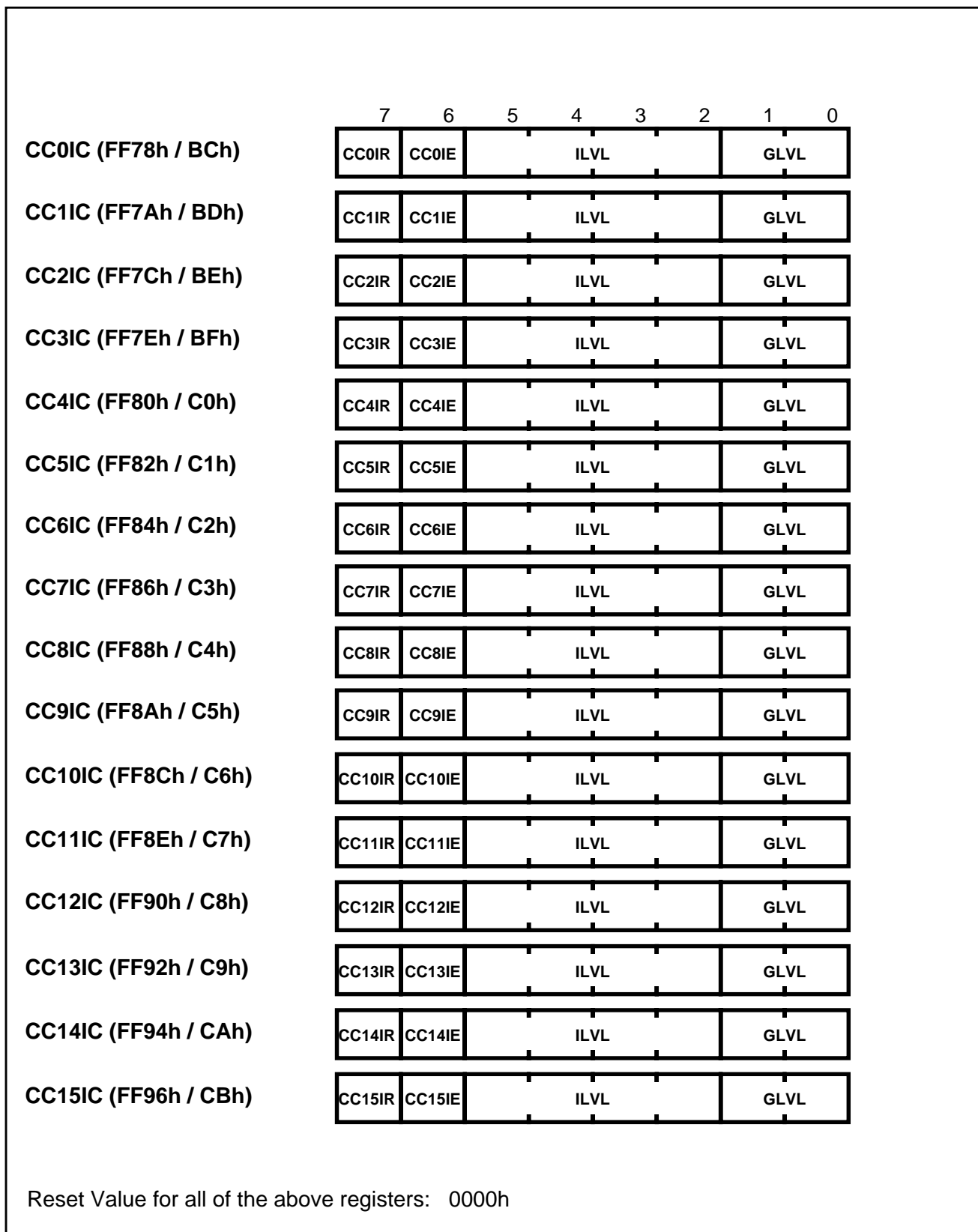


Figure 8.1.18
CAPCOM Registers Interrupt Control Registers CCoIC through CC15IC

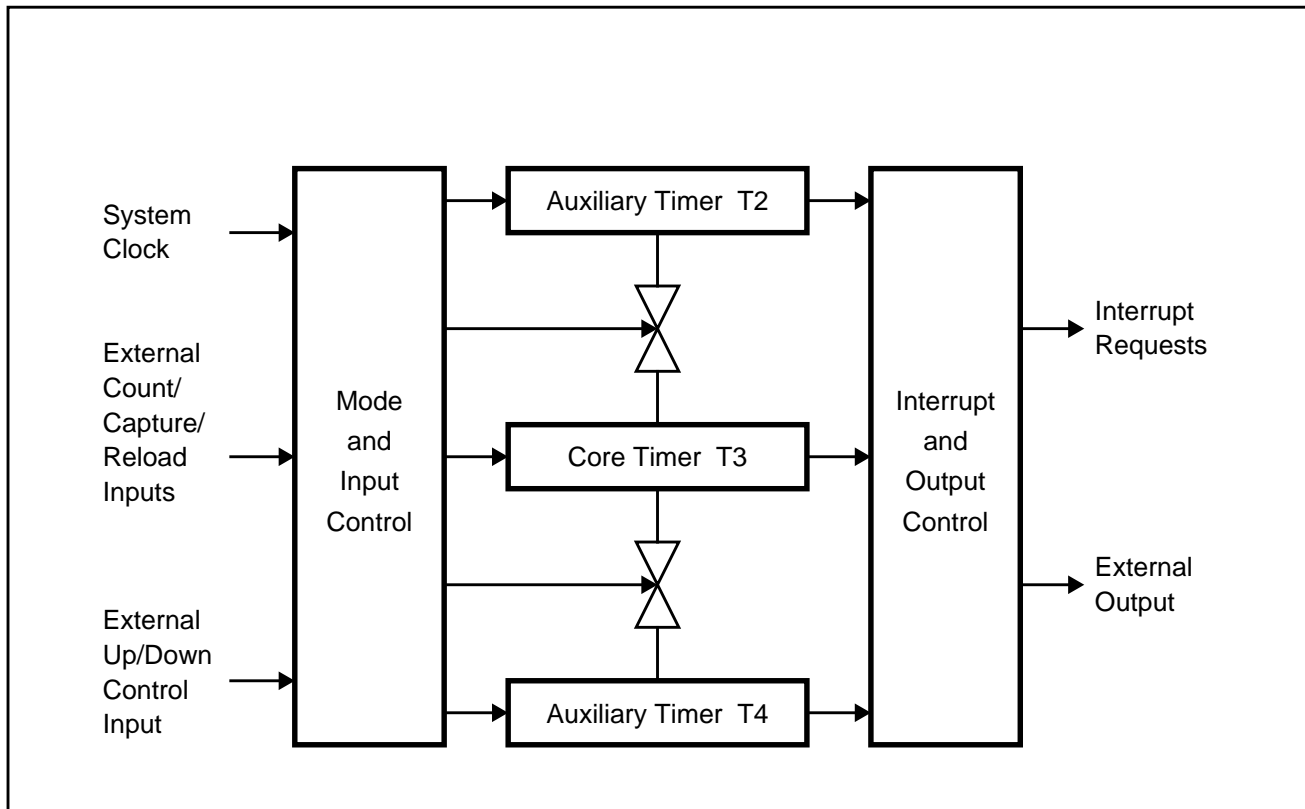


Figure 8.2.1
Block Diagram of GPT1

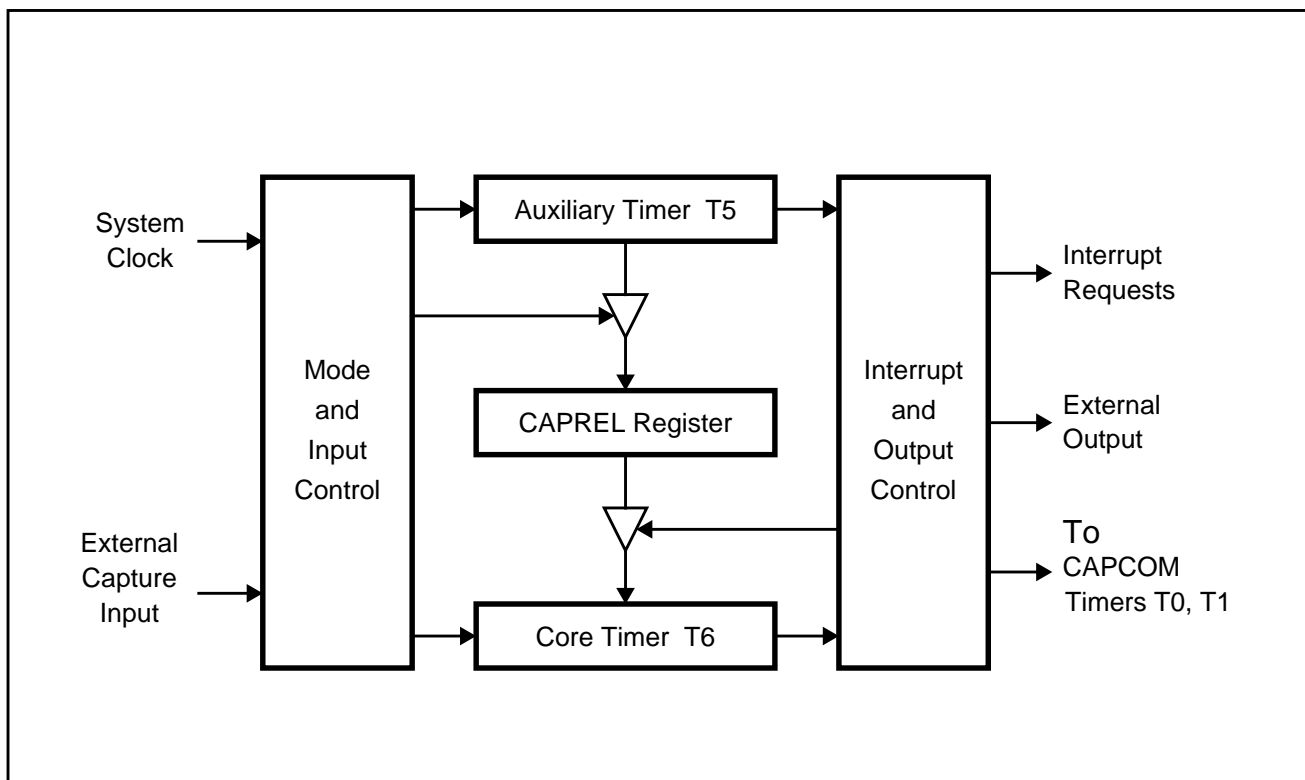


Figure 8.2.2
Block Diagram of GPT2

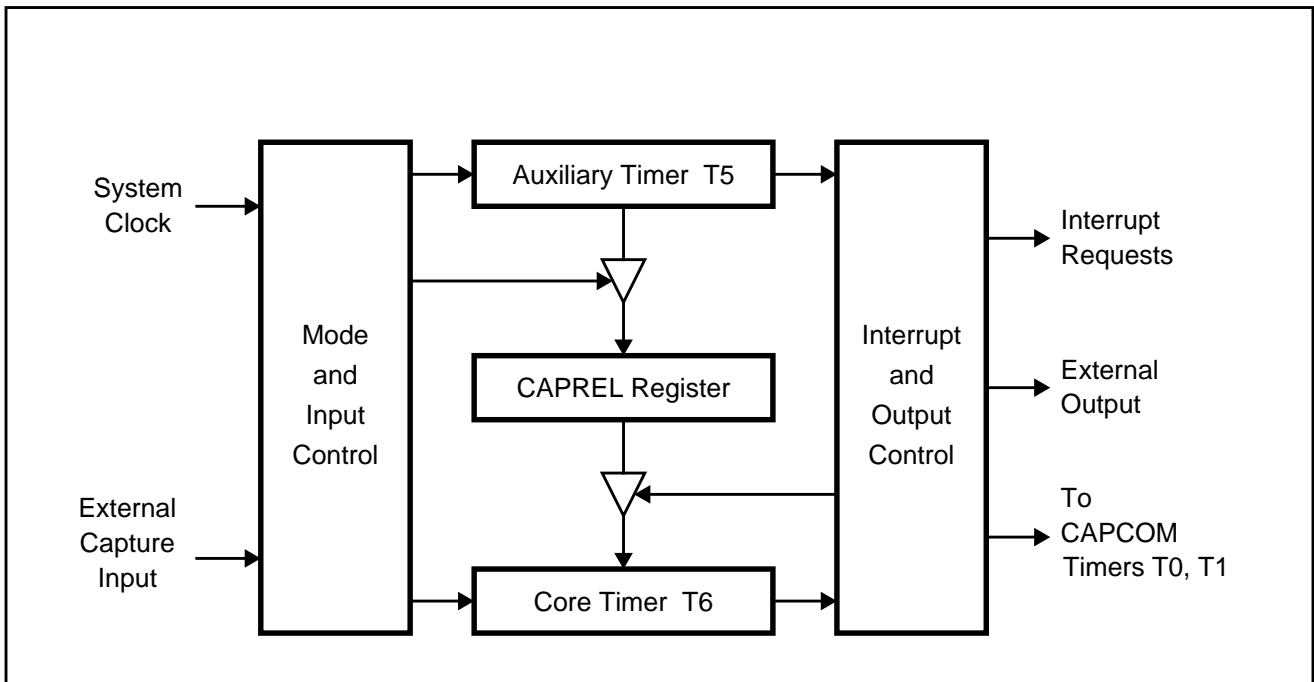


Figure 8.2.2
Block Diagram of GPT2

8.2.1 GPT1 Block

All three timers T2, T3, T4 of block GPT1 can run in 3 basic modes, which are timer, gated timer, and counter mode, and all timers can either count up or down. Each timer has an alternate input function pin on port 3 associated with it which serves as the gate control in gated timer mode, or as the count input in counter mode. As a specific feature of the core timer T3, its count direction may be dynamically altered by a signal at an external input pin, and each overflow/underflow may be indicated on an alternate output function pin. The auxiliary timers T2 and T4 may additionally be concatenated with the core timer, or used as capture or reload registers for the core timer.

The current contents of each timer can be read or modified by the CPU by accessing the corresponding timer registers T2, T3, or T4, which are located in the non-bit-addressable SFR space. When any of the timer registers is written by the CPU in the state immediately before a timer increment, reload, or capture is to be performed, the CPU write operation has priority in order to guarantee correct results.

From a programmer's point of view, the GPT1 block is composed of a set of SFRs as shown in figure 8.2.3. Those portions of port and direction registers which are not used for alternate functions by the GPT1 block are not shaded.

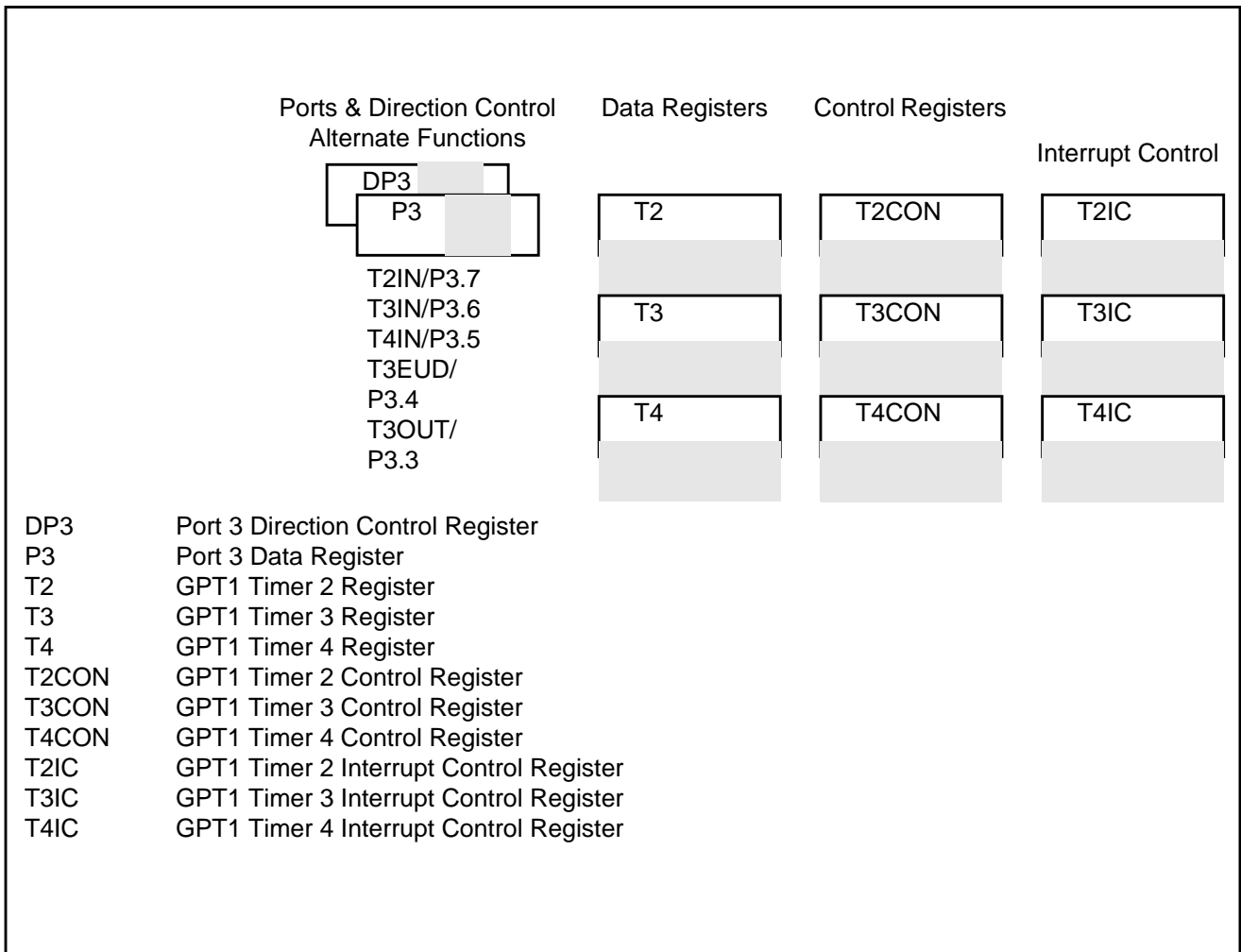


Figure 8.2.3
SFRs and Port Pins Associated with the GPT1 Block

In the following, the individual features of each timer in block GPT1 will be discussed separately.

8.2.1.1 GPT1 Core Timer T3

The configuration of the core timer T3 is determined by its bit-addressable control register T3CON, which is shown in the following figure 8.2.4.

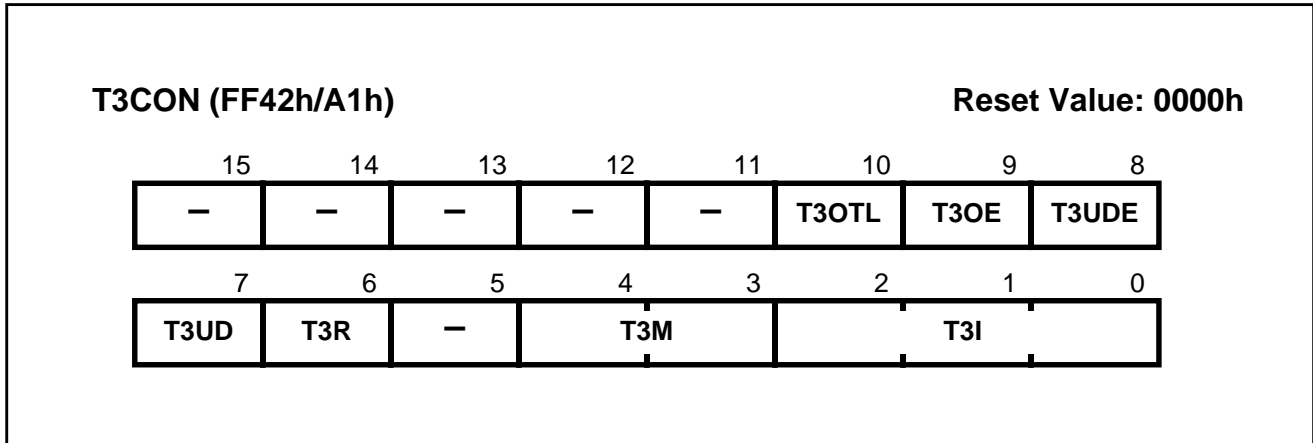


Figure 8.2.4
GPT1 Core Timer T3 Control Register T3CON

Symbol	Position	Function
T3I	T3CON [2 .. 0]	Timer 3 Input Selection For Timer and Gated Timer mode, see table 8.2.3 For Counter mode, see table 8.2.4
T3M	T3CON [4 .. 3]	Timer 3 Mode control (see table 8.2.1)
T3R	T3CON.6	Timer 3 Run Bit. T3R: = 0: Timer/Counter 3 stops T3R: = 1: Timer/Counter 3 runs
T3UD	T3CON.7	Timer 3 Up/Down Control (see table 8.2.2)
T3UDE	T3CON.8	Timer 3 External Up/Down Control Enable Bit (see table 8.2.2)
T3OE	T3CON.9	Alternate Output Function Enable T3OE = 0: Alternate Output Function Disabled T3OE = 1: Alternate Output Function Enabled

Timer 3 Mode Selection

Bit field T3M (Timer 3 Mode Control) selects the basic operating mode for timer T3. The available options are listed in table 8.2.1, and will be discussed in detail in the following subsections.

Table 8.2.1
Core Timer T3 Mode Control

T3M		Mode
(1)	(0)	
0	0	Timer
0	1	Counter
1	0	Gated Timer (gate is active low)
1	1	Gated Timer (gate is active high)

Timer 3 Run Bit

The timer can be started or stopped by software through bit T3R (Timer T3 Run Bit). If T3R=0, the timer stops. Setting T3R to '1' will start the timer. In gated timer mode, the timer will only run if T3R=1 and the gate is active.

Count Direction Control

The count direction of the core timer can be specified either by software or by the external input pin T3EUD (Timer T3 External Up/Down Control Input), which is the alternate input function of port pin P3.4. These options are selected by bits T3UD and T3UDE in control register T3CON. When the up/down control is done by software (bit T3UDE=0), the count direction can be altered by setting or clearing bit T3UD. When T3UDE=1, pin T3EUD is selected to be the controlling source of the count direction. However, bit T3UD can still be used to reverse the actual count direction, as listed in table 8.2.2. If T3UD=0 and pin T3EUD shows a low level, the timer is counting up. With a high level at T3EUD the timer is counting down. If T3UD=1, a high level at pin T3EUD specifies counting up, and a low level specifies counting down. The count direction can be changed regardless of whether the timer is running or not.

When pin T3EUD/P3.4 is used as external count direction control input, its corresponding direction control bit DP3.4 must be set to '0'.

Table 8.2.2
GPT1 Core Timer T3 Count Direction Control

Pin T3EUD	Bit T3UDE	Bit T3UD	Count Direction
X	0	0	Count Up
X	0	1	Count Down
0	1	0	Count Up
1	1	0	Count Down
0	1	1	Count Down
1	1	1	Count Up

Timer 3 Output Toggle Latch

An overflow or underflow of timer T3 will clock the toggle bit T3OTL in control register T3CON. T3OTL can also be set or reset by software. Bit T3OE (Alternate Output Function Enable) in register T3CON enables the state of T3OTL to be an alternate function of the external output pin T3OUT/P3.3. For that purpose, a '1' must be written into port data latch P3.3 and pin T3OUT/P3.3 must be configured as output by setting direction control bit DP3.3 to '1'. If T3OE=1, pin T3OUT then outputs the state of T3OTL. If T3OE=0, pin T3OUT can be used as a general purpose I/O pin.

In addition, T3OTL can be used in conjunction with the timer over/underflows as a trigger source for the counter or reload functions of the auxiliary timers. For this purpose, the state of T3OTL does not have to be available at pin T3OUT, because an internal connection is provided for this option. This feature is described in detail in section 8.2.1.2.3 and 8.2.1.2.4 about the auxiliary timers.

8.2.1.1.1 Timer Mode

Timer mode is selected for the core timer T3 by setting bit field T3M in register T3CON to '00b'. In this mode, T3 is clocked with the internal system clock divided by a programmable prescaler, which is selected by bit field T3I. The input frequency f_{T3} for timer T3 is scaled linearly with slower oscillator frequencies f_{OSC} , as can be seen from the following formula:

$$f_{T3} = \frac{f_{OSC}}{16 * 2^{<T3I>}}$$

The timer input frequencies, resolution and periods which result from the selected prescaler option when using a 40 MHz oscillator are listed in table 8.2.3. This table also applies to the gated timer mode of T3 and to the auxiliary timers T2 and T4 in timer and gated timer mode. Note that some numbers may be rounded to 3 significant digits. Figure 8.2.5 shows a block diagram of timer T3 in timer mode.

Table 8.2.3
GPT1 Timer Input Frequencies, Resolution and Periods

$f_{osc} = 40\text{MHz}$	Timer Input Selection T2I/T3I/T4I							
	000b	001b	010b	011b	100b	101b	110b	111b
Prescaler for f_{osc}	16	32	64	128	256	512	1024	2048
Input Frequency	2.5 MHz	1.25 MHz	625 kHz	312.5 kHz	156.25 kHz	78.125 kHz	39.06 kHz	19.53 kHz
Resolution	400ns	800 ns	1.6 μs	3.2 μs	6.4 μs	12.8 μs	25.6 μs	51.2 μs
Period	26 ms	52.5 ms	105 ms	210 ms	420 ms	840 ms	1.68 s	3.36 s

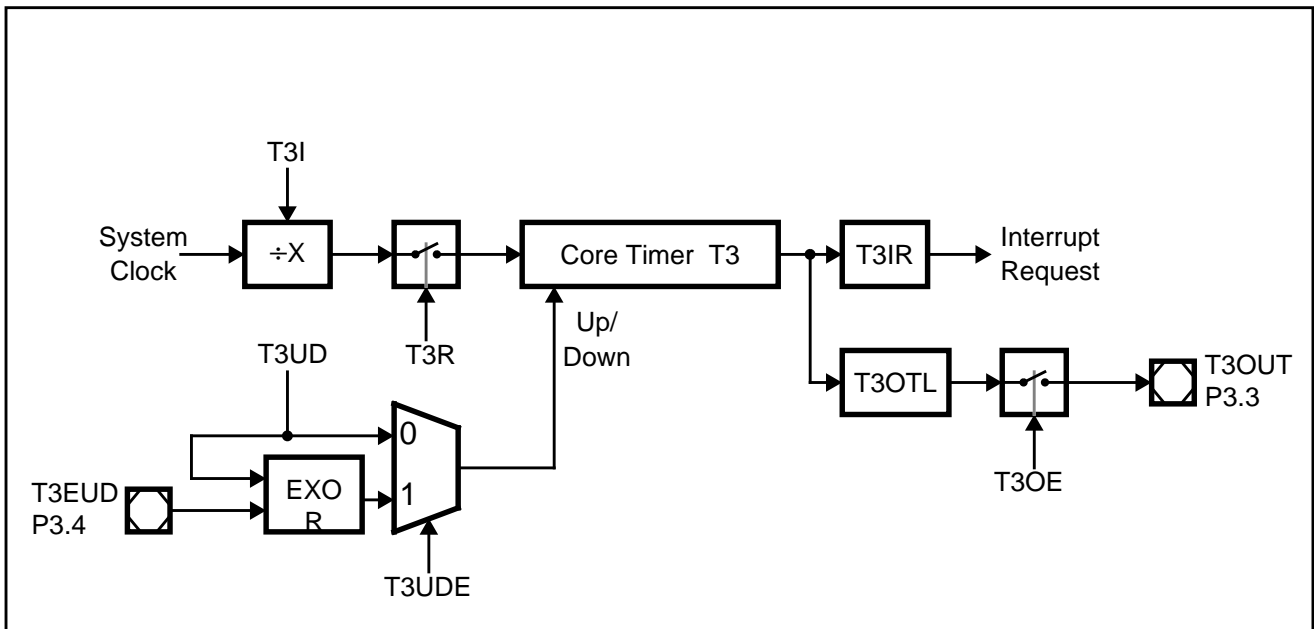


Figure 8.2.5
Block Diagram of Core Timer T3 in Timer Mode

8.2.1.1.2 Gated Timer Mode

In the gated timer mode, the same options for the input frequency as for the timer mode are available (see table 8.2.3). However, the input clock to the timer in this mode is gated by the external input pin T3IN (Timer T3 External Input), which is an alternate function of P3.6. Figure 8.2.6 shows a block diagram of the core timer in this mode.

The gated timer mode is selected by setting bit T3M.1 (T3CON.4) to '1'. Bit T3M.0 (T3CON.3) selects the active level of the gate. Pin T3IN/P3.6 must be configured as input, i.e., direction control bit DP3.6 must contain '0'.

If T3M.0=0, the timer is enabled when T3IN shows a low level. A high level at this pins tops the timer. If T3M.0=1, pin T3IN must have a high level in order to enable the timer to run. In addition, the timer can be turned on or off by software using bit T3R. The timer will only run if T3R=1 and the gate is active; it will stop if either T3R=0 or the gate is in active. Note that a transition of the gate signal at pin T3IN does not cause an interrupt request.

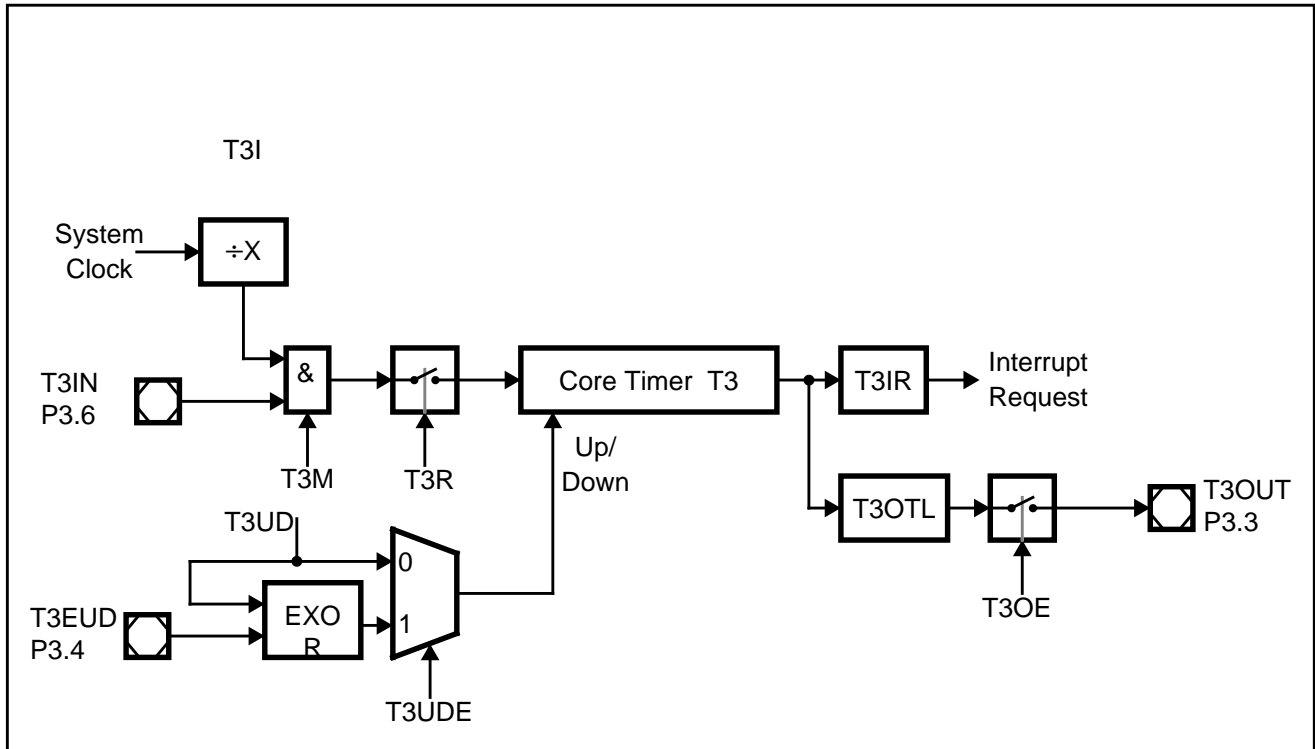


Figure 8.2.6
Block Diagram of Core Timer T3 in Gated Timer Mode

8.2.1.1.3 Counter Mode

Counter mode is selected for T3 by programming bit field T3M in register T3CON to '01b'. In counter mode, timer T3 is clocked by a transition at the external input pin T3IN, which is an alternate function of P3.6. The event causing an increment or decrement of the timer can be a positive, a negative, or both a positive and a negative transition at this pin. The options are selected by bit field T3I in control register T3CON as shown in table 8.2.4.

For counter operation, pin T3IN/P3.6 must be configured as input by setting direction control bit DP3.6 to '0'. The maximum input frequency which is allowed in counter mode is $f_{osc}/16$ (1.25 MHz @ $f_{osc}=40$ MHz). To ensure that a transition of the count input signal which is applied to T3IN is correctly recognized, its level should be held for at least 8 state times before it changes. Figure 8.2.7 shows a block diagram of the core timer in this mode.

Table 8.2.4
GPT1 Core Timer T3 Counter Mode Input Selection

T3I			Counter T3 in Incremented/Decrement on:
(2)	(1)	(0)	
0	0	0	No Transition Selected, T3 Disabled
0	0	1	Positive External Transition at Pin T3IN
0	1	0	Negative External Transition at Pin T3IN
0	1	1	Positive and Negative Ext. Transition at T3IN
1	X	X	(reserved)

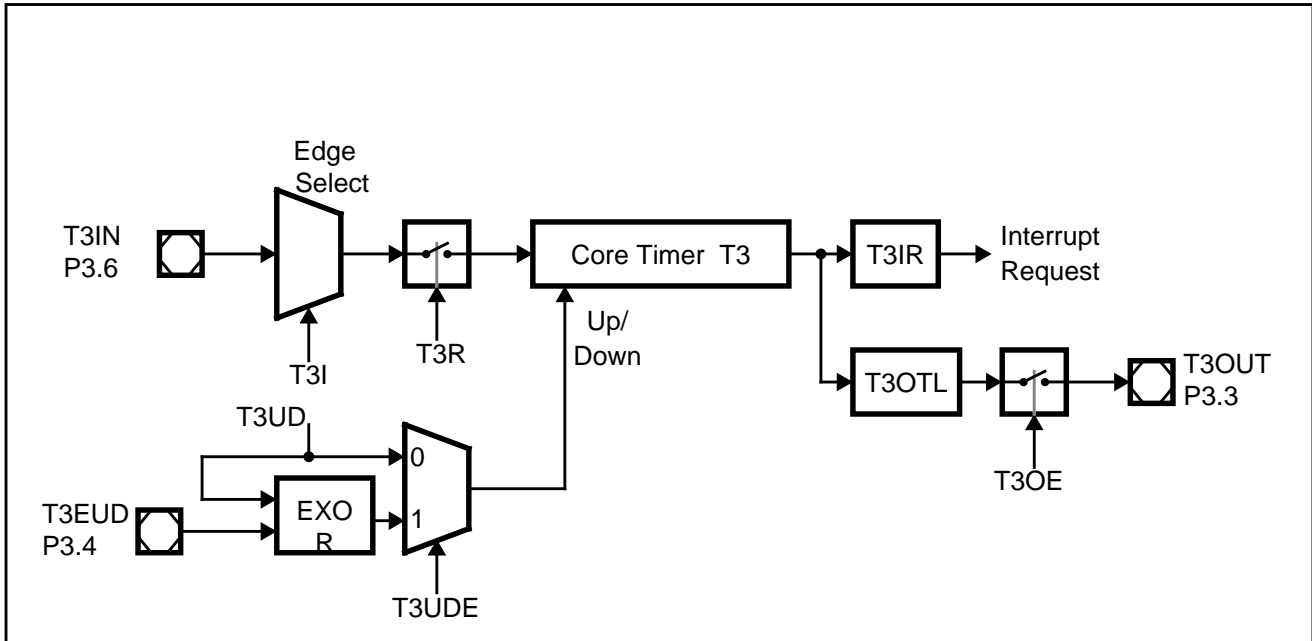


Figure 8.2.7
Block Diagram of Core Timer T3 in Counter Mode

8.2.1.1.4 Interrupt Control for Core Timer T3

When the timer T3 overflows from FFFFh to 0000h (when counting up), or when it underflows from 0000h to FFFFh (when counting down), interrupt request flag T3IR in register T3IC will be set. This will cause an interrupt to the timer T3 interrupt vector T3INT, or trigger a PEC service if the interrupt enable bit (T3IE in register T3IC) is set. Figure 8.2.8 shows the organization of register T3IC. Refer to chapter 7 for more details on interrupts.

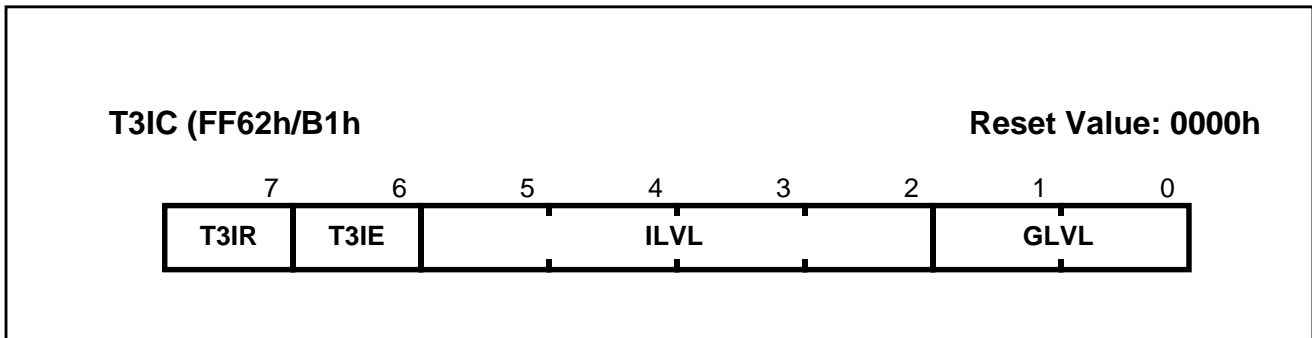


Figure 8.2.8
GPT1 Core Timer T3 Interrupt Control Register T3IC

8.2.1.2 GPT1 Auxiliary Timers T2 and T4

Both auxiliary timers T2 and T4 have exactly the same functionality. They can be configured for timer, gated timer, or counter mode with the same options for the timer frequencies and the count signal as the core timer T3. In addition to these 3 counting modes, the auxiliary timers can be concatenated with the core timer, or they may be used as reload or capture registers in conjunction with the core timer. Unlike the core timer, the auxiliary timers can not be controlled for up or down count by an external signal, nor do they have a toggle bit or an alternate output function.

The individual configuration for timers T2 and T4 is determined by their bit-addressable control registers T2CON and T4CON, which are both organized identically. Note that functions which are present in all 3 timers of block GPT1 are controlled in the same bit positions and in the same manner in each of the specific control registers. Figure 8.2.9 shows the control registers for the auxiliary timers.

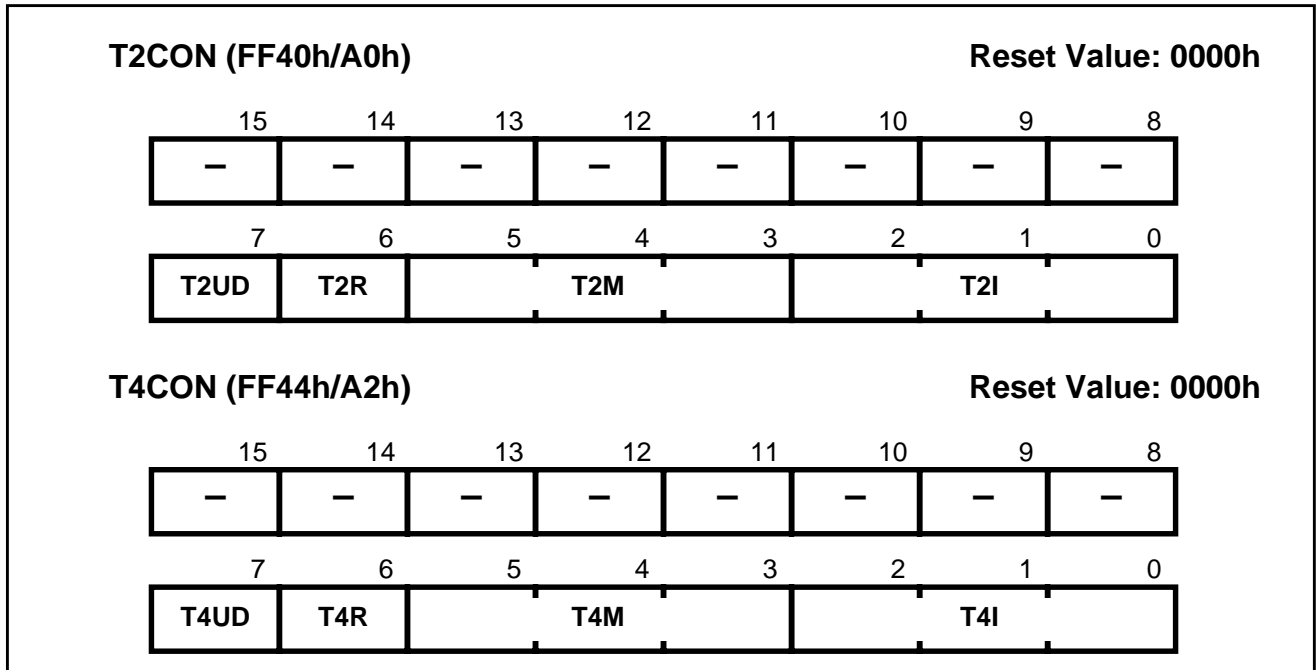


Figure 8.2.9
GPT1 Auxiliary Timers T2 and T4 control Registers T2CON and T4CON

Symbol	Position	Function
TxI	TxCON [2 .. 0]	Timer x Input Selection For Timer and Gated Timer mode, see table 8.2.3 For Counter Mode, see table 8.2.6 For Reload Mode, see table 8.2.7 For Capture Mode, see table 8.2.8
TxM	TxCON [5 .. 3]	Timer x Mode Control (see table 8.2.5)
TxR	TxCON.6	Timer x Run Bit. TxR: = 0: Timer/Counter x stops TxR: = 1: Timer/Counter x runs
TxUD	TxCON.7	Up/Down Control Bit TxUD = 0: Timer/Counter x counts up TxUD = 1: Timer/Counter x counts down
— x = (2, 4)	TxCON [15 .. 8]	(reserved)

The operating modes for the auxiliary timers T2 and T4 are independently selectable by bit fields T2M and T4M. The available options for both timers are listed in table 8.2.5, and will be discussed in detail in the following subsections.

Table 8.2.5
GPT1 Auxiliary Timer T2 and T4 Mode Control

T2M/T4M			Mode
(2)	(1)	(0)	
0	0	0	Timer
0	0	1	Counter
0	1	0	Gated Timer (gate is active low)
0	1	1	Gated Timer (gate is active high)
1	0	0	Reload
1	0	1	Capture
1	1	X	(reserved, no function selected)

In all of the counting modes of operation, the auxiliary timers can count up or down depending on the state of their control bits T2UD and T4UD. They can be started or stopped through their run bits T2R and T4R. In gated timer mode, the respective timer will only run if T2R=1 or T4R=1 and the gate is active.

8.2.1.2.1 Timer Mode

The operation of the auxiliary timers in this mode is identical to that of the core timer T3. Timer mode is selected for the auxiliary timers T2 or T4 by setting the mode control field T2M or T4M in the respective control register T2CON or T4CON to '000b'.

The input frequencies f_{T2} and f_{T4} to T2 and T4 are determined by the contents of the timer input selection fields T2I and T4I as follows:

$$f_{T2} = \frac{f_{OSC}}{16 * 2^{<T2I>}} \quad , \quad f_{T4} = \frac{f_{OSC}}{16 * 2^{<T4I>}}$$

For an overview of the resulting input frequencies, resolution, and periods when using a 40 MHz oscillator, refer to table 8.2.3 in section 8.2.1.1.1. The block diagram of an auxiliary timer in timer mode is shown in the following figure 8.2.10.

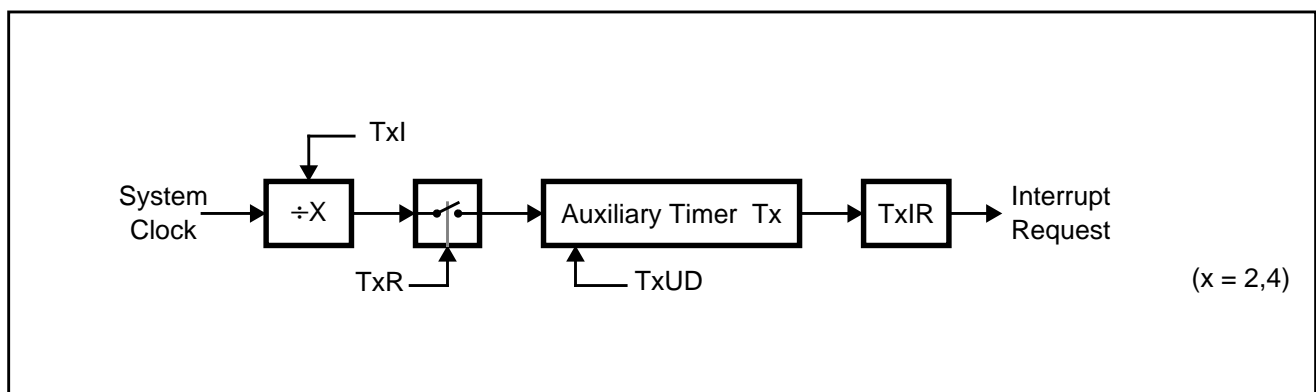


Figure 8.2.10
Block Diagram of an Auxiliary Timer in Timer Mode

8.2.1.2.2 Gated Timer Mode

The gated timer mode for the auxiliary timers functions as described for the core timer. For the auxiliary timers, an active low level for the gate is selected by setting the mode control fields T2M or T4M to '010b', and an active high level is selected by the bit combination '011b'. The gate for timer T2 is the external input pin T2IN, and T4IN is the gate for timer T4. T2IN is an alternate function of P3.7, while T4IN is an alternate function of P3.5. In order to use these alternate functions, the corresponding direction control bits DP3.7 and DP3.5 must be set to '0'. Figure 8.2.11 shows a block diagram of an auxiliary timer in gated timer mode.

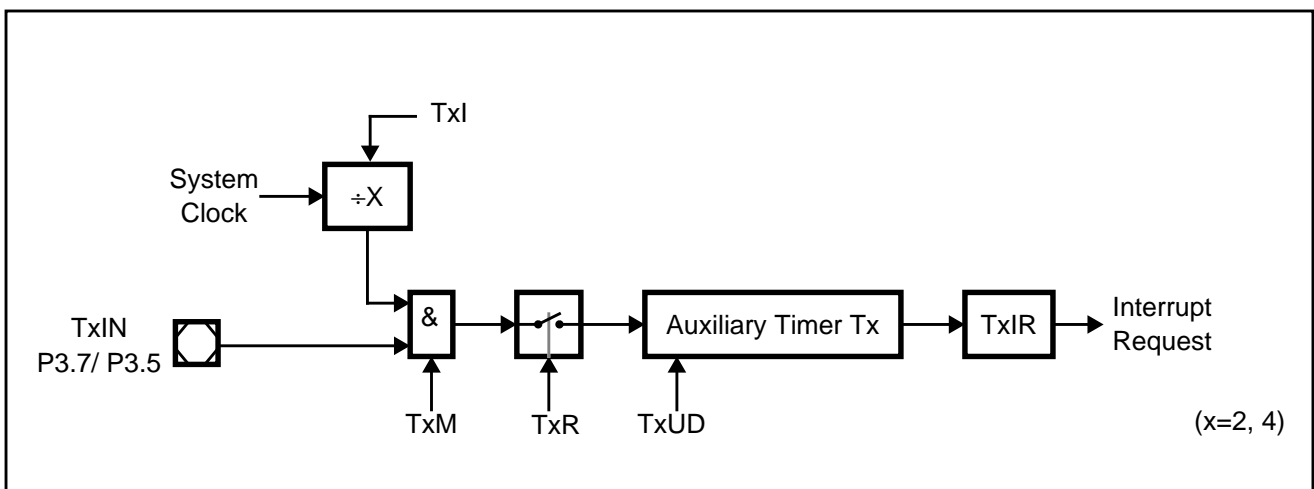


Figure 8.2.11
Block Diagram of an Auxiliary Timer in Gated Timer Mode

8.2.1.2.3 Counter Mode

Basically, the counter mode for the auxiliary timers functions as described for the core timer. In addition, however, timers T2 and T4 offer the possibility of selecting between two count sources. The first source is an external input pin, T2IN for timer T2, and T4IN for timer T4. One can select either a positive, a negative, or both a positive and a negative transition to cause an increment or decrement. The direction control bits DP3.7 for T2IN or DP3.5 for T4IN must be set to '0', and the input signal should be held at least 8 states for correct edge detection, which results in a maximum allowed frequency for the count input signal of 1.25 MHz @ $f_{OSC}=40$ MHz.

The second count source is the toggle bit T3OTL of the core timer T3. One can also select either a positive, a negative, or both a positive and a negative transition of T3OTL to cause an increment or decrement. Note that only state transitions of T3OTL which are caused by the overflows/underflows of T3 will trigger the counter function of T2/T4. Modifications of T3OTL by software will NOT trigger the counter function of T2/T4. Table 8.2.6 summarizes the different counter modes of the auxiliary timers. A block diagram of an auxiliary timer in counter mode is shown in figure 8.2.12.

Table 8.2.6
GPT1 Auxiliary Timers Counter Mode Input Selection; x=(2, 4)

T2I/T4I			Counter T2/T4 is Incremented/Decrementated on
(2)	(1)	(0)	
0	0	0	No Transition Selected, Tx Disabled
0	0	1	Positive External Transition on TxIN
0	1	0	Negative External Transition on TxIN
0	1	1	Postive and Negative External Transition on TxIN
1	0	0	No Transition Selected, Tx Disabled
1	0	1	Positive Transition of T3OTL

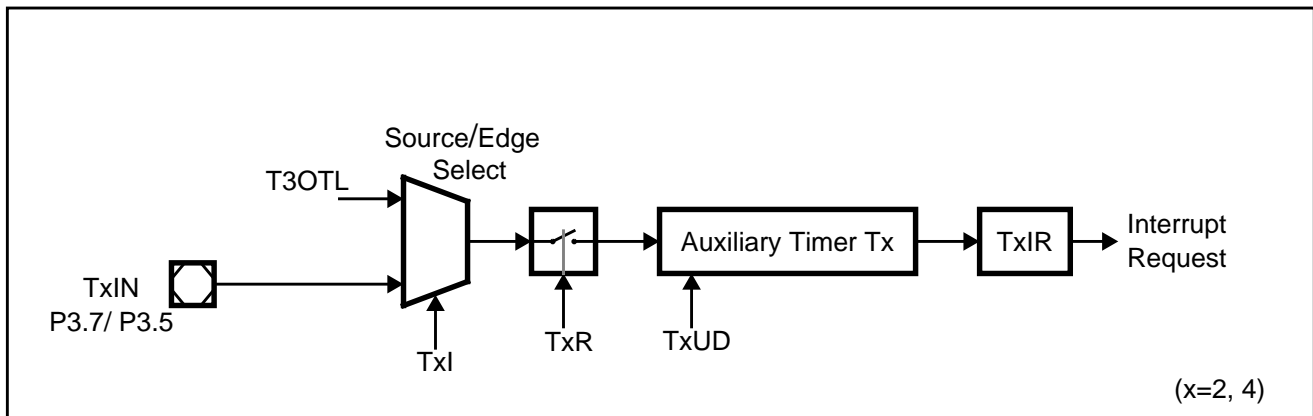


Figure 8.2.12
Block Diagram of an Auxiliary Timer in Counter Mode

Using the toggle bit T3OTL as a clock source for an auxiliary timer in counter mode offers the feature of concatenating the core timer T3 and an auxiliary timer. Depending on which transition of T3OTL is selected to clock the auxiliary timer, one can form a 32-bit or 33-bit timer. This is explained in the following:

If both a positive and a negative transition of T3OTL is used to clock the auxiliary timer, this timer is clocked one very overflow/underflow of the core timer T3. Thus, the two timers form a 32-bit timer.

If either a positive or a negative transition of T3OTL is selected to clock the auxiliary timer, this timer is clocked on every second overflow/underflow of the core timer. This configuration forms a 33-bit timer (16-bit core timer+T3OTL+16-bit auxiliary timer).

The count directions of the two concatenated timers are not required to be the same. This offers a wide variety of different configurations. A block diagram showing the concatenation of a core timer and an auxiliary timer is shown in figure 8.2.13.

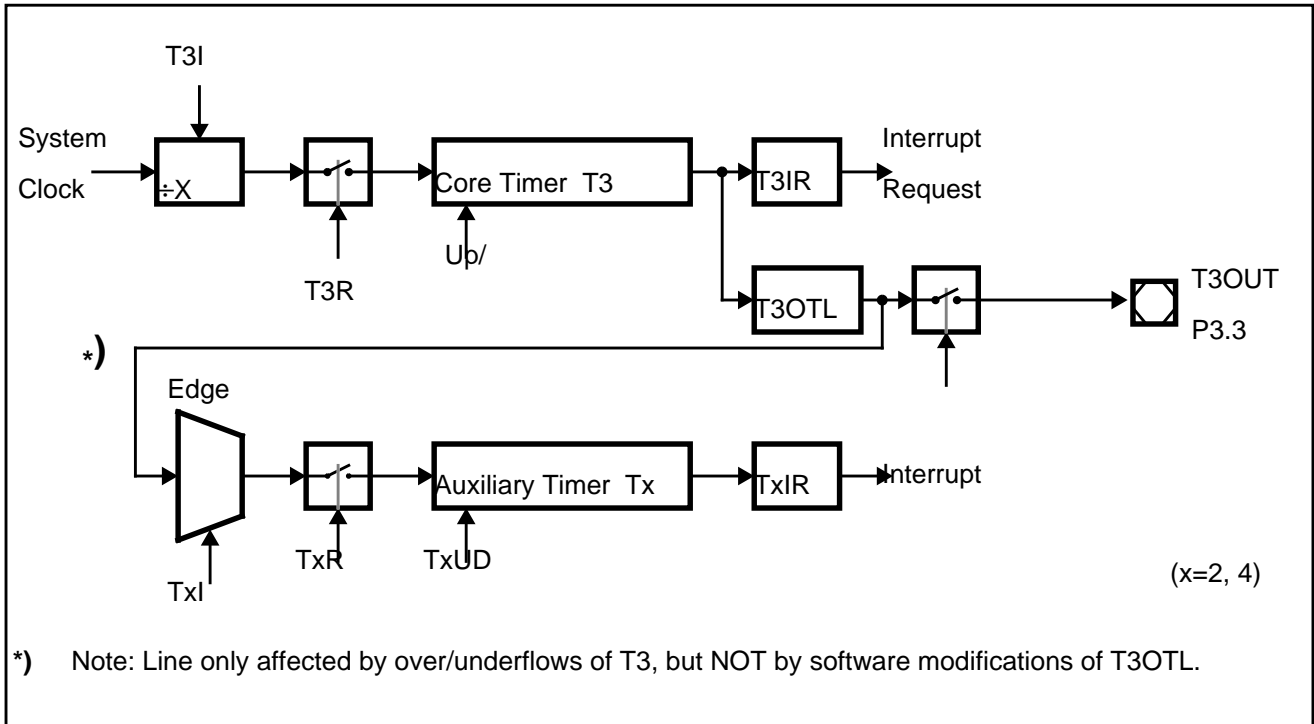


Figure 8.2.13
Concatenation of Core Timer T3 and an Auxiliary Timer

8.2.1.2.4 Reload Mode

Reload mode is selected by programming the mode control fields T2M or T4M to '100b'. In reload mode, the core timer T3 is reloaded with the contents of an auxiliary timer register. Two different sources can be selected to cause a reload of the core timer. The options are programmed by the input selection bits of bit fields T2I and T4I in registers T2CON or T4CON as shown in table 8.2.7. When programmed for reload mode, the respective auxiliary timer T2 or T4 stops, independent of its run flag T2R or T4R.

Table 8.2.7
GPT1 Auxiliary Timers Reload Trigger Selection; x=(2, 4)

T2I/T4I			Reload on
(2)	(1)	(0)	
0	0	0	No Transition Selected, Tx Disabled
0	0	1	Positive External Transition on TxIN
0	1	0	Negative External Transition on TxIN
0	1	1	Positive and Negative External Transition on TxIN
1	0	0	No Transition Selected, Tx Disabled
1	0	1	Positive Transition of T3OTL
1	1	0	Negative Transition of T3OTL
1	1	1	Positive and Negative Transition of T3OTL

When bit T2I.2=0 or bit T4I.2=0, the source which can cause a reload is the external input pin T2IN for timer register T2 or pin T4IN for timer register T4. One can select either a positive, a negative, or both a positive and a negative transition at these input pins to cause a reload. When a selected transition is detected at the input pin T2IN or T4IN, the core timer T3 is reloaded with the contents of the auxiliary timer, and the interrupt request flag T2IR or T4IR of the auxiliary timer is set. The direction control bits DP3.7 for T2IN or DP3.5 for T4IN must be set to '0', and the input signal should hold its level for at least 8 states to ensure correct recognition of the triggering edge. Figure 8.2.14 shows a block diagram of this external reload mode.

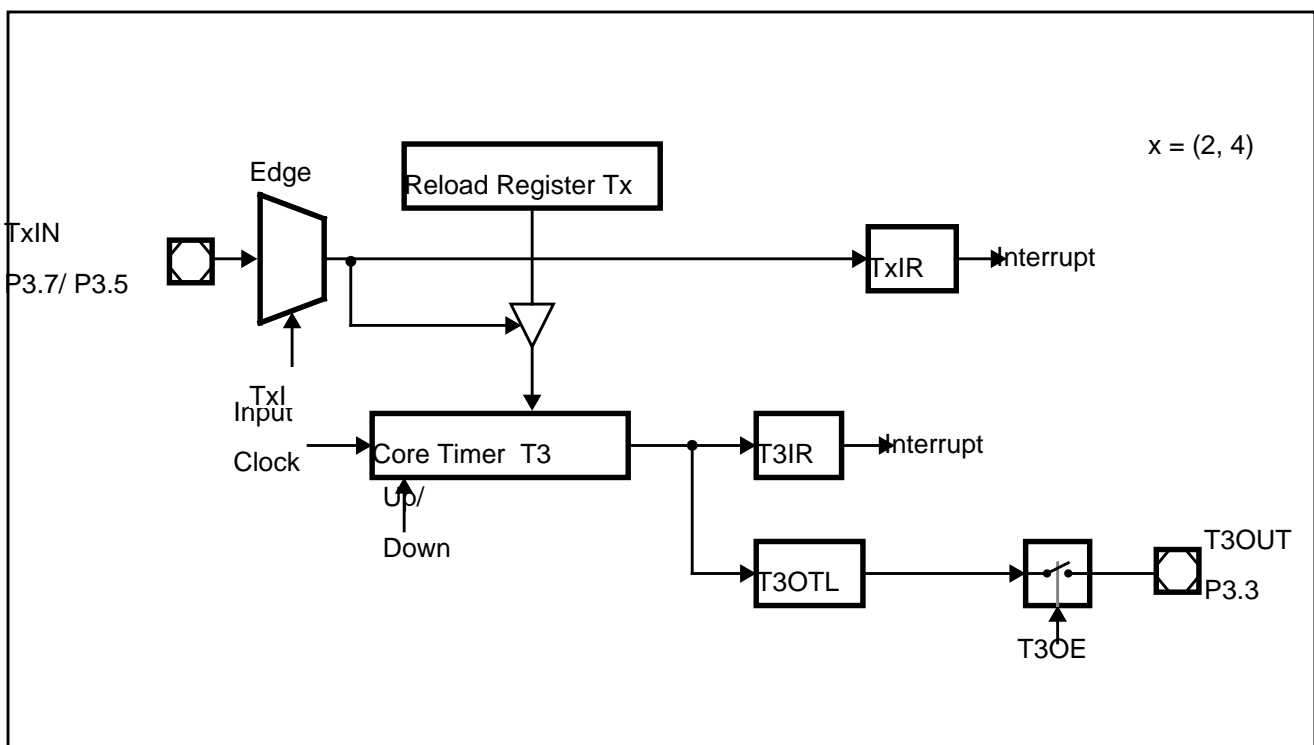


Figure 8.2.14
GPT1 Auxiliary Timer in External Reload Mode

When bit T2I.2=1 or bit T4I.2=1, a transition of the toggle bit T3OTL which is caused by an overflow/underflow of T3 is the trigger for a reload. Note that software modifications of T3OTL will NOT trigger the reload function. Again, one can select either a positive, a negative, or both a positive and a negative transition of T3OTL to cause a reload. When a selected transition of T3OTL is detected, the core timer T3 is reloaded with the contents of the auxiliary timer, and the interrupt request flag T2IR or T4IR of the respective auxiliary timer is set. Note that the interrupt request flag T3IR of the core timer T3 will also be set, indicating the overflow/underflow of T3. Figure 8.2.15 shows a block diagram of this reload mode.

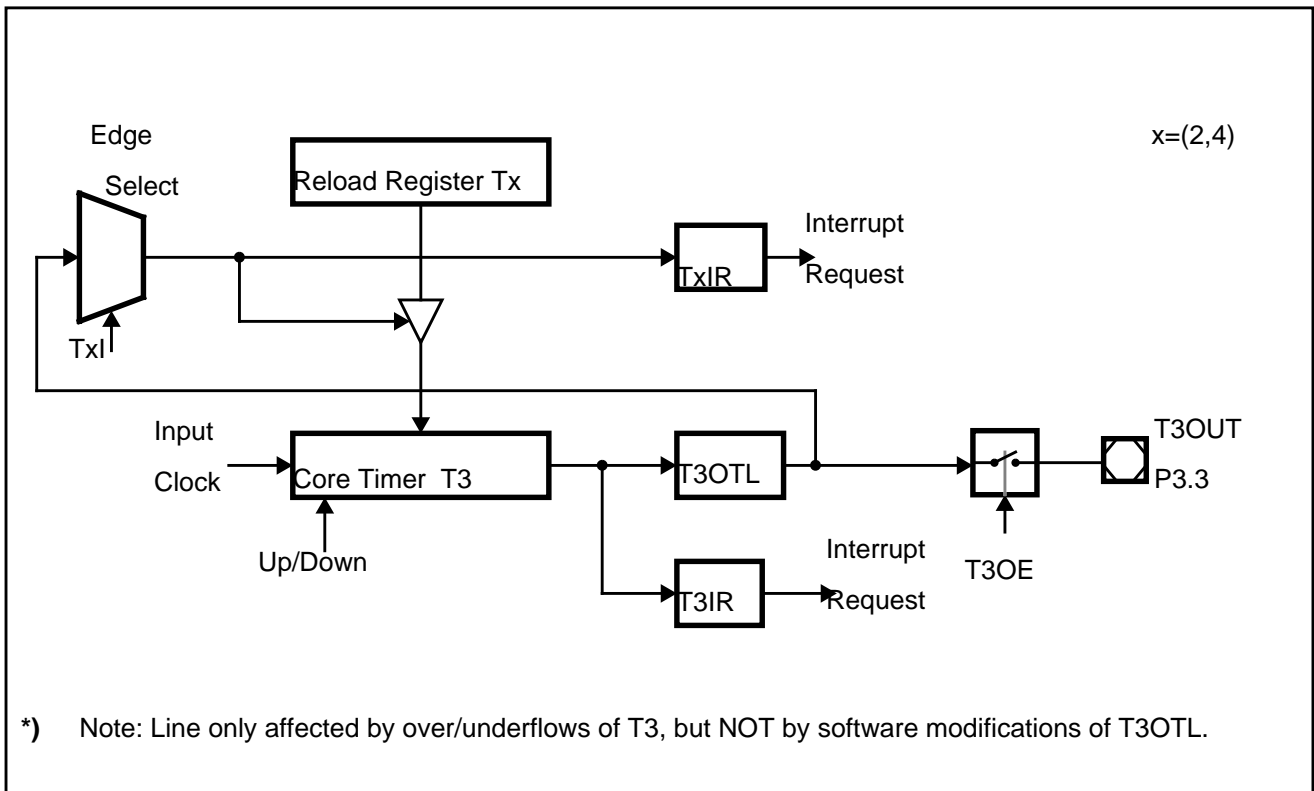


Figure 8.2.15
GPT1 Auxiliary Timer in Reload Mode Triggered by T3OTL

Note: Although it is possible, the user should not program both of the auxiliary timers to reload the core timer on the same trigger event, since in this case both of the reload registers would try to reload the core timer at the same time. In this case, the contents of T4 are loaded into the core timer T3.

The reload mode triggered by T3OTL can be used in a number of different configurations. Depending on the selection of the active transition, the following functions can be performed:

If both a positive and a negative transition of T3OTL is selected to trigger a reload, the core timer will be reloaded with the contents of the auxiliary timer each time it overflows or underflows. This is the 'normal' reload mode (reload on overflow/underflow).

If either a positive or a negative transition of T3OTL is selected to trigger a reload, the core timer T3 will be reloaded with the contents of the auxiliary timer on every second overflow or underflow.

Using the latter configuration for both auxiliary timers, one can perform very flexible pulse width modulation (PWM). One of the auxiliary timers is programmed to reload the core timer on a positive transition of T3OTL, the other is programmed for a reload on a negative transition of T3OTL. Thus, the core timer is alternately reloaded by each of the auxiliary timers.

Figure 8.2.16 shows such a configuration of the GPT1 timers for flexible PWM. T2 is programmed to reload T3 on a positive transition of T3OTL, while T4 will reload T3 on a negative transition of T3OTL. The alternate output function for T3OTL is enabled (T3OE=1), and the PWM output signal will be available at pin T3OUT with the configuration DP3.3=1 and P3.3=1 for port pin P3.3, as explained in section 8.2.1.1. The auxiliary timer T2 holds the value of the high time of the output signal, while T4 is used to reload T3 with the value of the low time. With this method, the low and high time of the PWM signal can be varied in a wide range. Note that T3OTL is implemented as a bit in SFR T3CON, so that it can be altered by software if required to modify the PWM signal.

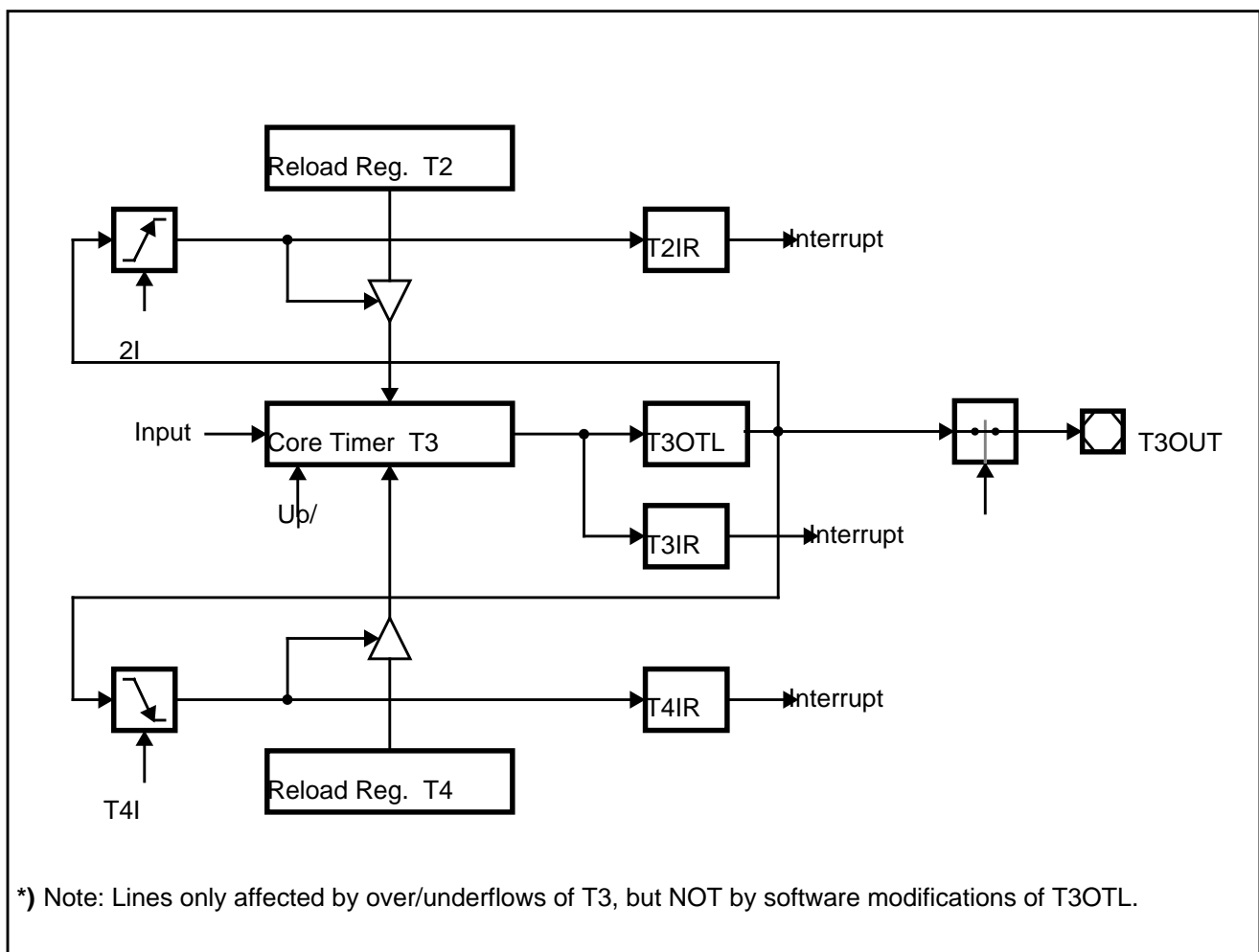


Figure 8.2.16
GPT1 Timer Configuration for PWM Generation

8.2.1.2.5 Capture Mode

Capture mode is selected by programming the mode control fields T2M or T4M to '101b'. In capture mode, the contents of the core timer are latched into an auxiliary timer register in response to a signal transition at the respective auxiliary timer's external input pin, which is T2IN/P3.7 for timer register T2, or T4IN/P3.5 for timer register T4. The capture trigger signal can be a positive, a negative, or both a positive and a negative transition.

The two least significant bits of bit fields T2I or T4I are used to select the active transition (see table 8.2.8), while the most significant bits T2I.2 or T4I.2 are irrelevant for the capture mode. When programmed for capture mode, the respective auxiliary timer T2 or T4 stops, independent of its run flag T2R or T4R.

Table 8.2.8
GPT1 Auxiliary Timers Capture Trigger Selection; x= (2, 4)

T2I/T4I			Contents of T3 Captured into T2/T4 on
(2)	(1)	(0)	
X	0	0	No Transition Selected, Tx Disabled
X	0	1	Positive External Transition on TxIN
X	1	0	Negative External Transition on TxIN
X	1	1	Positive and Negative External Transition on TxIN

If a selected transition at the corresponding input pin T2IN or T4IN is detected, then the contents of the core timer are loaded into the auxiliary timer register and the associated interrupt request flag T2IR for timer T2 or T4IR for timer T4 will be set. Note that the direction control bits DP3.7 (for T2IN) and DP3.5 (for T4IN) must be set to '0', and that the level of the capture trigger signal should be held for at least 8 states to ensure correct edge detection. Figure 8.2.17 shows a block diagram of an auxiliary timer in capture mode.

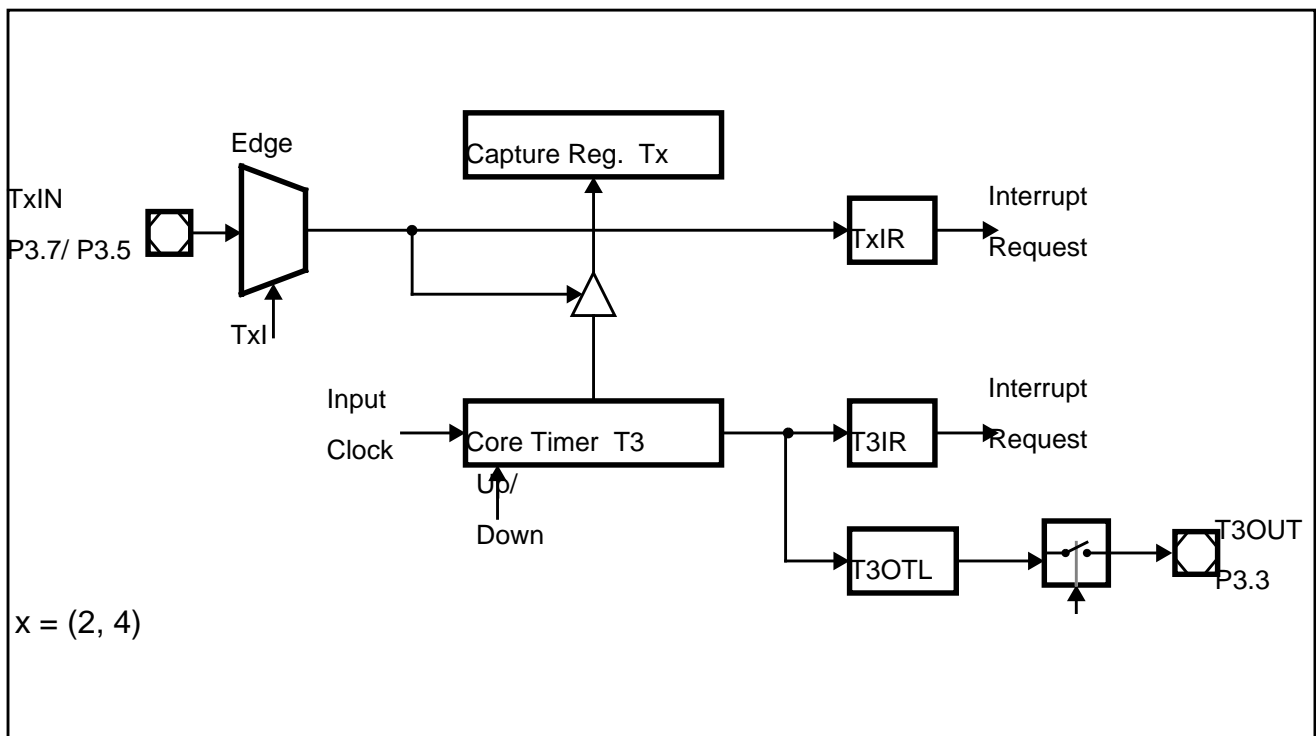


Figure 8.2.17
GPT1 Auxiliary Timer in Capture Mode

8.2.1.2.6 Interrupt Control

Upon each overflow/underflow or upon each capture or reload trigger of one of the auxiliary timers T2 or T4, its corresponding interrupt request flag (T2IR or T4IR) will be set. This flag may cause an interrupt to the specific auxiliary timer's interrupt vector (T2INT or T4INT), or initiate a PEC transfer, when the request is enabled. Each of the auxiliary timers T2 and T4 has its own interrupt control register (T2IC, T4IC), as shown in figure 8.2.18. Refer to chapter 7 for further details on interrupts.

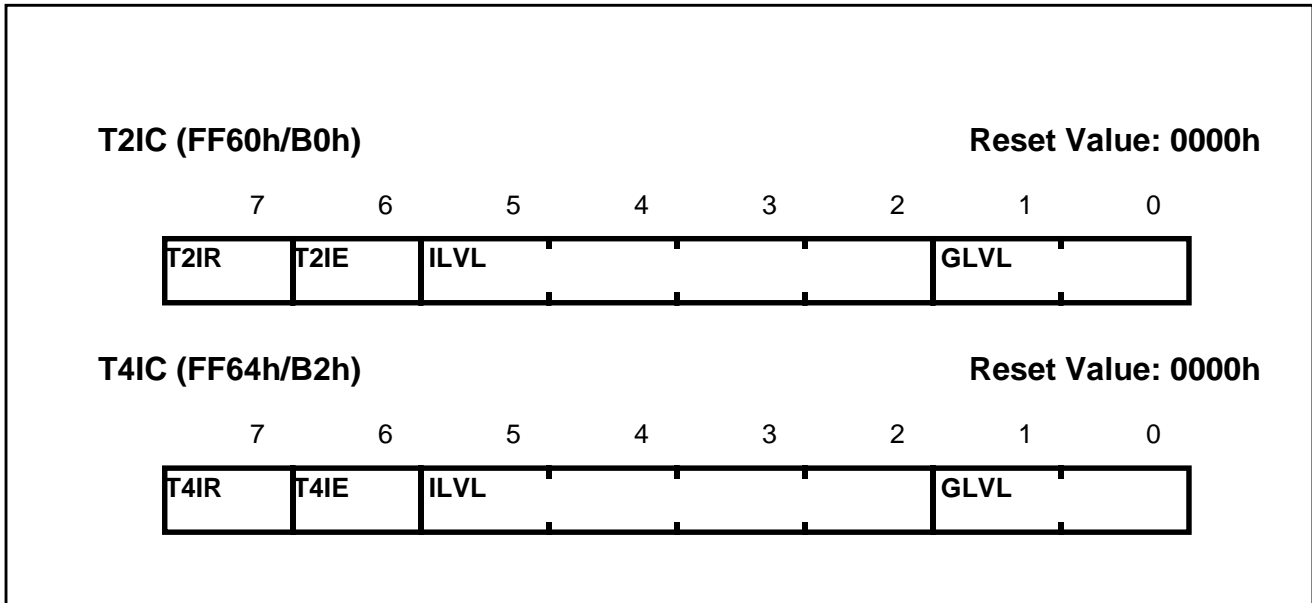


Figure 8.2.18
GPT1 Auxiliary Timer Interrupt Control Registers T2IC and T4IC

8.2.2 GPT2 Block

Block GPT2 supports high precision event control with a maximum resolution of 200 ns (@ 40 MHz oscillator frequency). It includes the two timers T5 and T6, and the 16-bit capture/reload register CAPREL. Timer T6 is referred to as the core timer, and T5 is referred to as the auxiliary timer of GPT2.

An overflow/underflow of T6, which can only operate in timer mode, is indicated by a toggle bit T6OTL whose state may be output on an alternate function port pin. In addition, T6 may be reloaded with the contents of CAPREL. The toggle bit also supports concatenation of T6 with auxiliary timer T5, while concatenation of T6 with CAPCOM timers T0 and T1 is provided through a direct connection. Based on an external signal, the contents of T5 can be captured into register CAPREL, and T5 may optionally be cleared. Both timer T6 and T5 can count up or down, and the current timer value can be read or modified by the CPU in the non-bit-addressable SFRs T5 and T6. Each of the above features will be described in detail in the following subsections.

From a programmer's point of view, the GPT2 block is represented by a set of SFRs as shown in figure 8.2.19. Those portions of port and direction registers which are not used for alternate functions by the GPT2 block are not shaded.

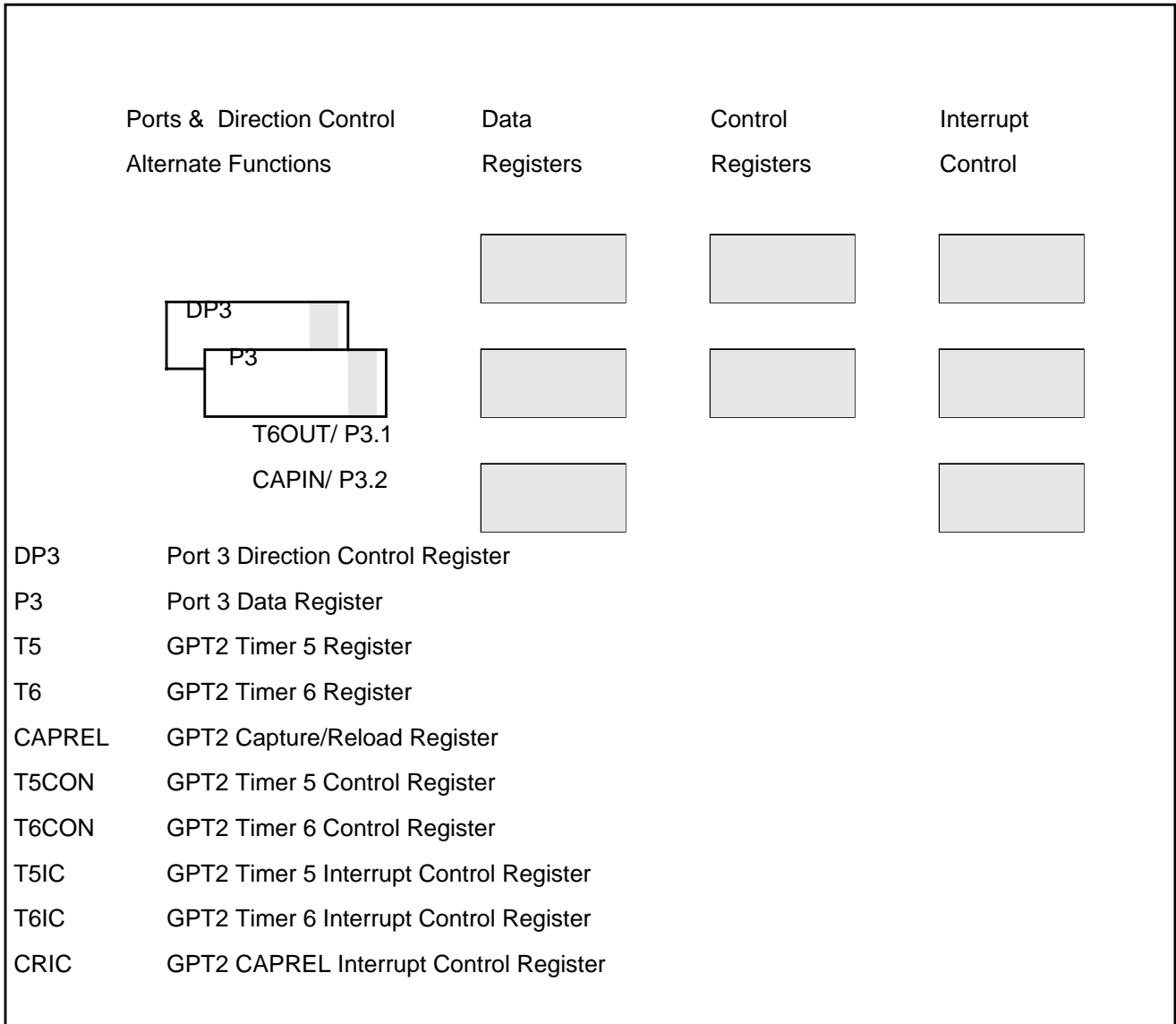


Figure 8.2.19
SFRs and Port Pins Associated with the GPT2 Block

8.2.2.1 GPT2 Core Timer T6

The operation of the core timer T6 is controlled by the bit-addressable control register T6CON, which is shown in figure 8.2.20.

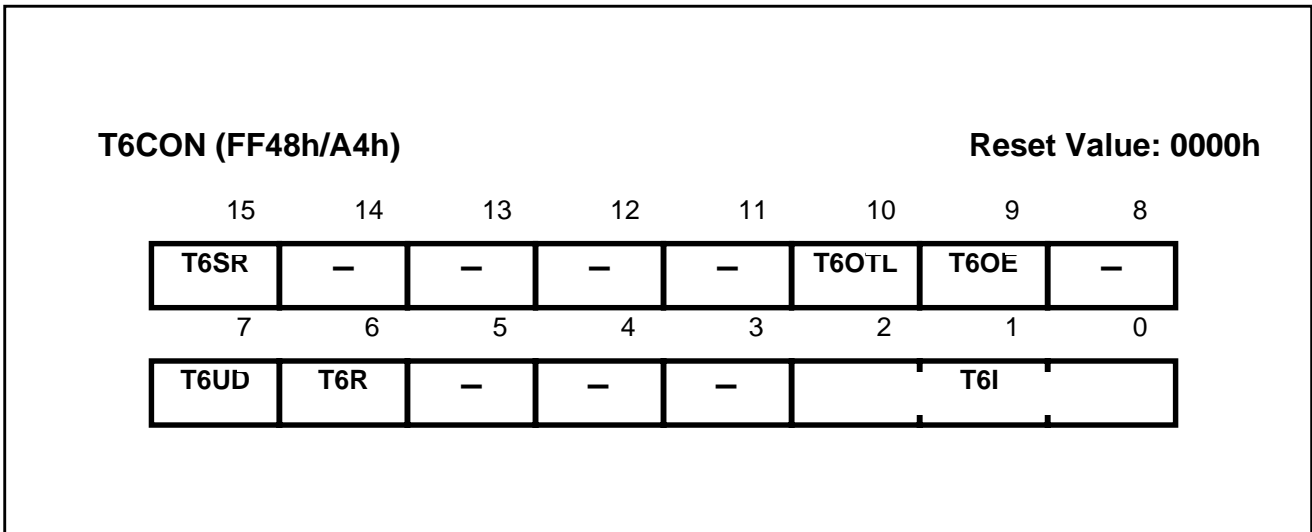


Figure 8.2.20
GPT2 Core Timer T6 Control Register T6CON

Symbol	Position	Function
T6I	T6CON [2 .. 0]	Timer 6 Input Selection (see table 8.2.9)
T6R	T6CON.6	Timer 6 Run Bit. T6R = 0: Timer 6 stops T6R = 1: Timer 6 runs
T6UD	T6CON.7	Timer 6 Up/Down Control T6UD = 0: Timer 6 is counting up T6UD = 1: Timer 6 is counting down
T6OE	T6CON.9	Alternate Output Function Enable T6OE = 0: Alternate output function disabled T6OE = 1: Alternate output function enabled
T6OTL	T6CON.10	Timer 6 Output Toggle Latch. Toggles on each overflow/underflow of T6. Can be set or reset by software
T6SR	TCON.15	Timer 6 Reload Mode Enable Bit T6SR = 0: Reload from register CAPREL disabled T6SR = 1: Reload from register CAPREL enabled
—		(reserved)

The core timer T6 can only run in timer mode. It is started or stopped by software through bit T6R (Timer T6 Run Bit). If T6R=0, the timer stops. Setting T6R to '1' will start the timer. The count direction can be controlled by software through bit T6UD.

8.2.2.1.1 Timer Mode

Timer T6 is clocked with the internal system clock divided by a programmable prescaler. Eight different prescaler options can be selected by bit field T6I in control register T6CON. The input frequency f_{T6} to timer T6 is scaled linearly with slower oscillator frequencies and is determined as follows:

$$f_{T6} = \frac{f_{OSC}}{8 * 2^{<T6I>}}$$

The resulting input frequency, resolution, and timer period when using a 40 MHz oscillator is illustrated in table 8.2.9. This table also applies to GPT2 auxiliary timer T5. Note that the numbers may be rounded to 3 significant digits.

**Table 8.2.9
GPT2 Timer Input Frequencies, Resolution and Periods**

$f_{OSC}= 40MHz$	Timer Input Selection T5I/T6I							
	000b	001b	010b	011b	100b	101b	110b	111b
Prescaler for f_{OSC}	8	16	32	64	128	256	512	1024
Input Frequency	5 MHz	2.5 MHz	1.25 kHz	625 kHz	312.5 kHz	156.25 kHz	78.125 kHz	39.06 kHz
Resolution	200ns	400 ns	800 ns	1.6 μ s	3.2 μ s	6.4 μ s	12.8 μ s	25.6 μ s
Period	13 ms	26 ms	52.5 ms	105 ms	210 ms	420 ms	840 ms	1.68 s

An overflow or underflow of timer T6 will clock the toggle bit T6OTL in control register T6CON. T6OTL can also be set or reset by software. Bit T6OE (Alternate Output Function Enable) in register T6CON enables the state of T6OTL to be an alternate function of the external output pin T6OUT/P3.1. For that purpose, a '1' must be written into port data latch P3.1 and pin T6OUT/P3.1 must be configured as output by setting direction control bit DP3.1 to '1'. If T6OE=1, pin T6OUT then outputs the state of T6OTL. If T6OE=0, pin T6OUT can be used as a general purpose I/O pin.

In addition, T6OTL can be used as the trigger source for the counter function of auxiliary timer T5. For this purpose, the state of T6OTL does not have to be available at pin T6OUT, because an internal connection is provided for this option. This feature is described in detail in section 8.2.2.2 about auxiliary timer T5.

A reload of timer T6 on overflow/underflow with the contents of register CAPREL can be selected through bit T6SR in register T6CON. A detailed description of this option can be found in section 8.2.2.3 about the CAPREL register.

An overflow or underflow of timer T6 can also be used to clock timers T0 or T1 in the CAPCOM unit. For this purpose, a direct internal connection between timer T6 and timers T0 and T1 exists. Refer to section 8.1 (CAPCOM Unit) for more details. Figure 8.2.21 shows a block diagram of T6 in timer mode.

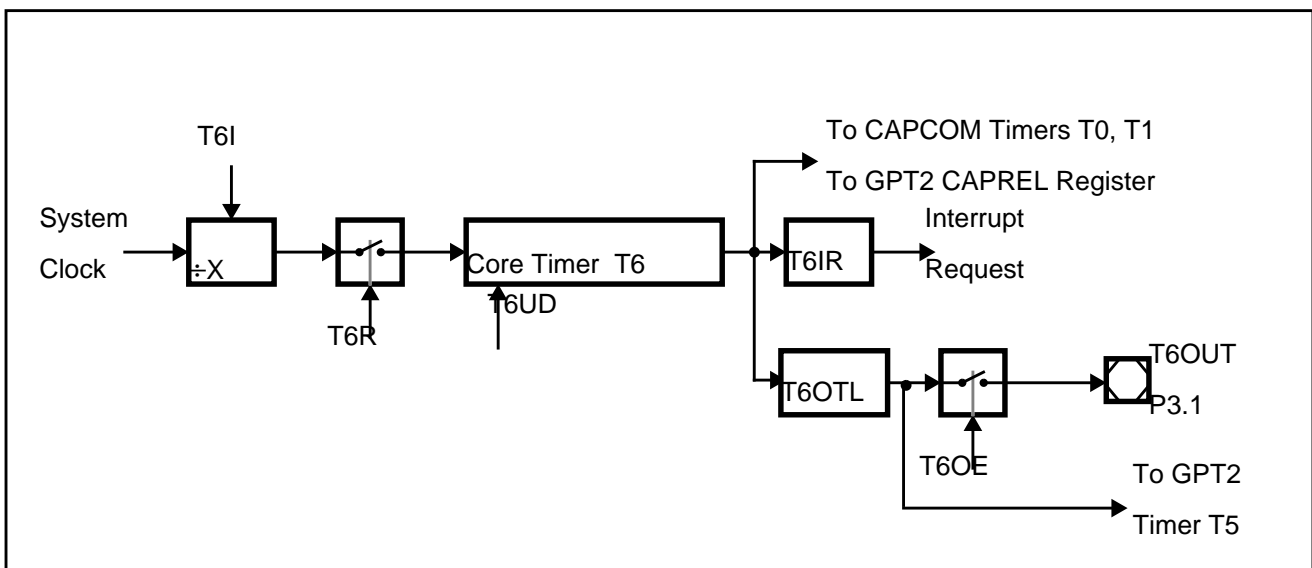


Figure 8.2.21
Block Diagram of GPT2 Core Timer T6 in Timer Mode

8.2.2.1.2 Timer T6 Interrupt Control

When timer T6 overflows from FFFFh to 0000h (when counting up), or when it underflows from 0000h to FFFFh (when counting down), the interrupt request flag T6IR in register T6IC will be set. This will cause an interrupt to the timer T6 interrupt vector T6INT, or will trigger a PEC transfer, if the interrupt enable bit T6IE in register T6IC is set. Figure 8.2.22 shows the organization of interrupt control register T6IC. Refer to chapter 7 for more details on interrupts.

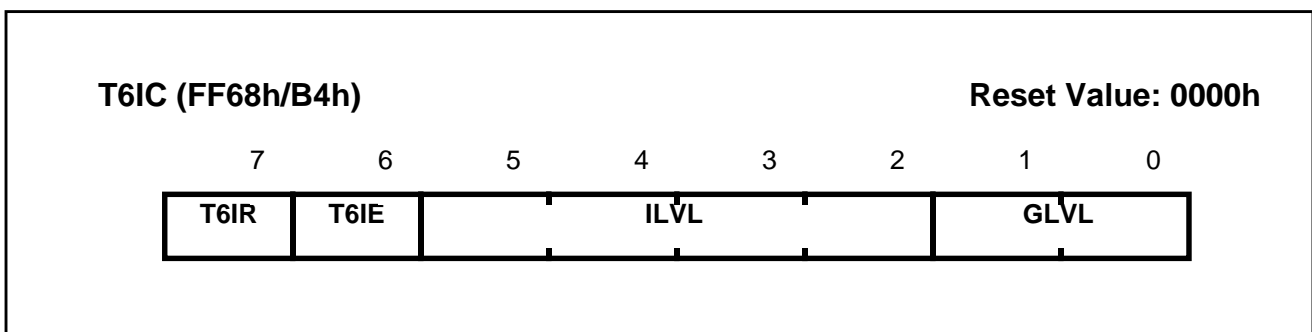


Figure 8.2.22
GPT2 Timer T6 Interrupt Control Register T6IC

8.2.2.2 GPT2 Auxiliary Timer T5

The auxiliary timer T5 can operate in timer or counter mode. These two modes are described below. Unlike the core timer T6, the auxiliary timer T5 has no toggle bit and no alternate output function. The operation of T5 is controlled by register T5CON, which is shown in the following figure 8.2.23.

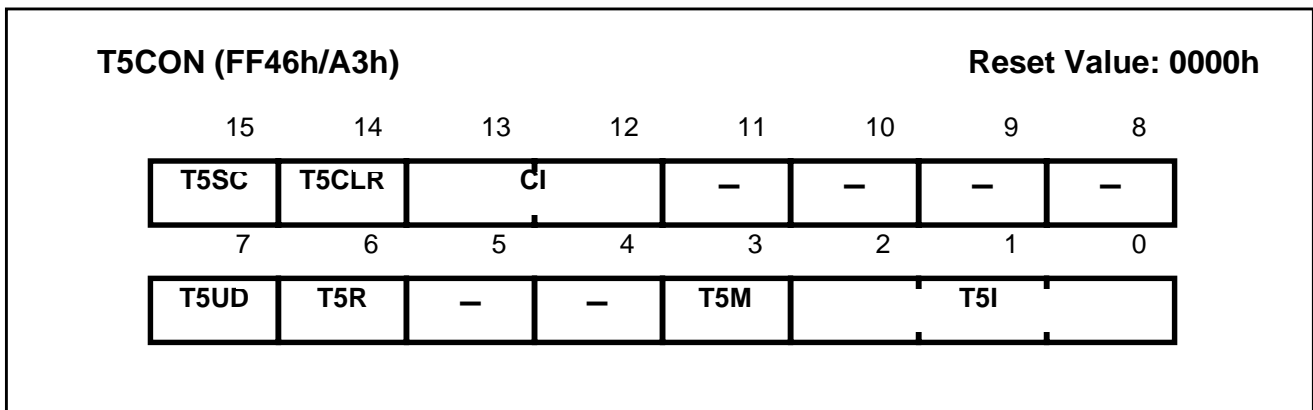


Figure 8.2.23 GPT2 Auxiliary Timer T5 Control Register T5CON

Symbol	Position	Function
T5I	T5CON [2 .. 0]	Timer 5 Input Selection For Timer mode, see table 8.2.9 For Counter mode, see table 8.2.10
T5M	T5CON.3	Timer 5 Mode Control T5M = 0: Timer Mode T5M = 1: Counter Mode
T5R	T5CON.6	Timer 5 Run Bit. T5R = 0: Timer/Counter 5 stops T5R = 1: Timer/Counter 5 runs
T5UD	T5CON.7	Timer 5 Up/Down Control Bit. T5UD = 0: Timer/Counter 5 counts up T5UD = 1: Timer/Counter 5 counts down
CI	T5CON [13 .. 12]	Register CAPREL Input Selection (see table 8.2.11)
T5CLR	T5CON.14	Timer 5 Clear Bit T5CLR = 0: Timer 5 is not cleared on a capture T5CLR = 1: Timer 5 is cleared on a capture
T5SC	T5CON.15	Timer 5 Capture Mode Enable Bit T5SC = 0: Capture into register CAPREL disabled T5SC = 1: Capture into register CAPREL enabled
-		(reserved)

In both timer and counter mode of operation, the auxiliary timer T5 can count up or down depending on the control bit T5UD, and it can be started or stopped through its run bit T5R (Timer T5 Run Bit). If T5R=0, the timer stops. Setting T5R=1 will start the timer.

8.2.2.2.1 Timer Mode

In this mode, selected in register T5CON by setting bit T5M=0, the auxiliary timer T5 operates exactly as described for the core timer T6. It has the same 8 prescaler options, which are selected by bit field T5I in control register T5CON. The input frequency f_{T5} to timer T5 is determined as follows:

$$f_{T5} = \frac{f_{OSC}}{8 * 2^{<T5I>}}$$

The resulting input frequency, resolution, and timer period when using a 40 MHz oscillator is the same as for T6 (see table 8.2.9). Figure 8.2.24 shows a block diagram of T5 in timer mode..

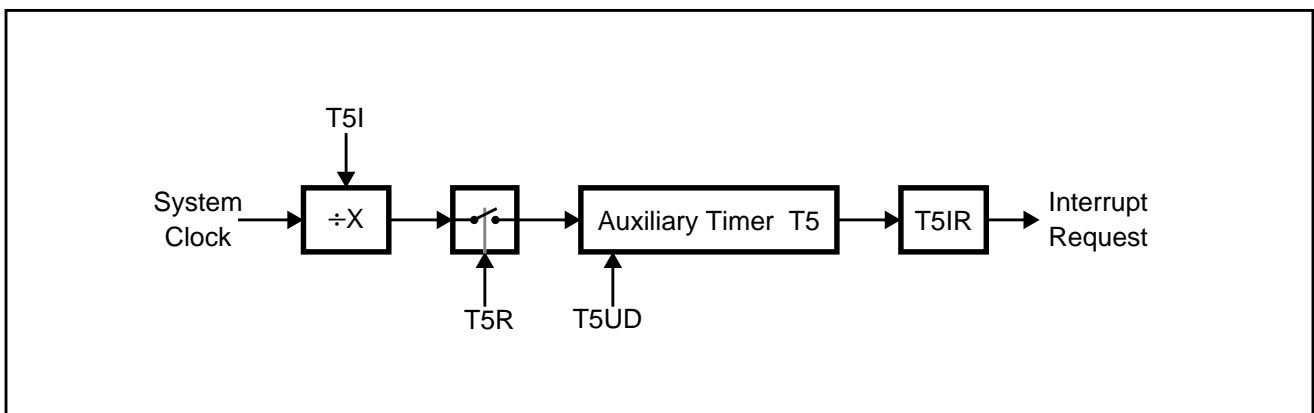


Figure 8.2.24
Block Diagram of GPT2 Auxiliary Timer T5 in Timer Mode

8.2.2.2.2 Counter Mode

The counter mode of timer T5, selected by T5M=1, can only be used in conjunction with the toggle bit T6OTL of the core timer T6, since timer T5 has no external input pin. In this mode, timer T5 is clocked by a transition of T6OTL. Note that only state transitions of T6OTL which are caused by overflows/underflows of T6 will trigger the counter function of T5. Modifications of T6OTL by software will NOT trigger the counter function of T5. Either a positive, a negative, or both a positive and a negative transition of T6OTL can be selected to cause an increment or decrement of T5. The options are selected by bit field T5I in control register T5CON as shown in table 8.2.10. Figure 8.2.25 shows a block diagram of timer T5 in this mode.

Table 8.2.10
Auxiliary Timer T5 Counter Mode Input Selection

T5I			Counter T5 is Incremented/Decrementd on
(2)	(1)	(0)	
0	X	X	No Transition Selected, T5 Disabled
1	0	0	No Transition Selected, T5 Disabled
1	0	1	Positive Transition of T6OTL
1	1	0	Negative Transition of T6OTL
1	1	1	Positive and Negative Transition of T6OTL

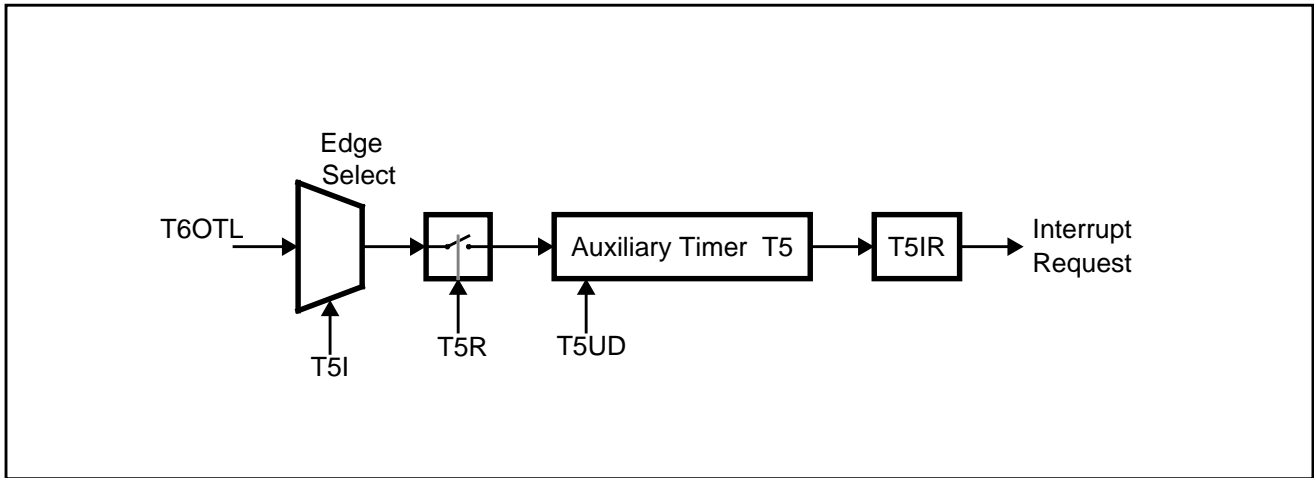


Figure 8.2.25
Block Diagram of GPT2 Auxiliary Timer T5 in Counter Mode

This mode can be used to concatenate the core timer T6 and the auxiliary timer T5 to form a 32-bit or a 33-bit timer (16-bit timer T6+T6OTL+16-bit timer T5, see also section 8.2.1.2.3). The count directions of the two timers are not required to be the same, which offers a wide variety of different configurations. Figure 8.2.26 shows a block diagram for the concatenation of timers T5 and T6.

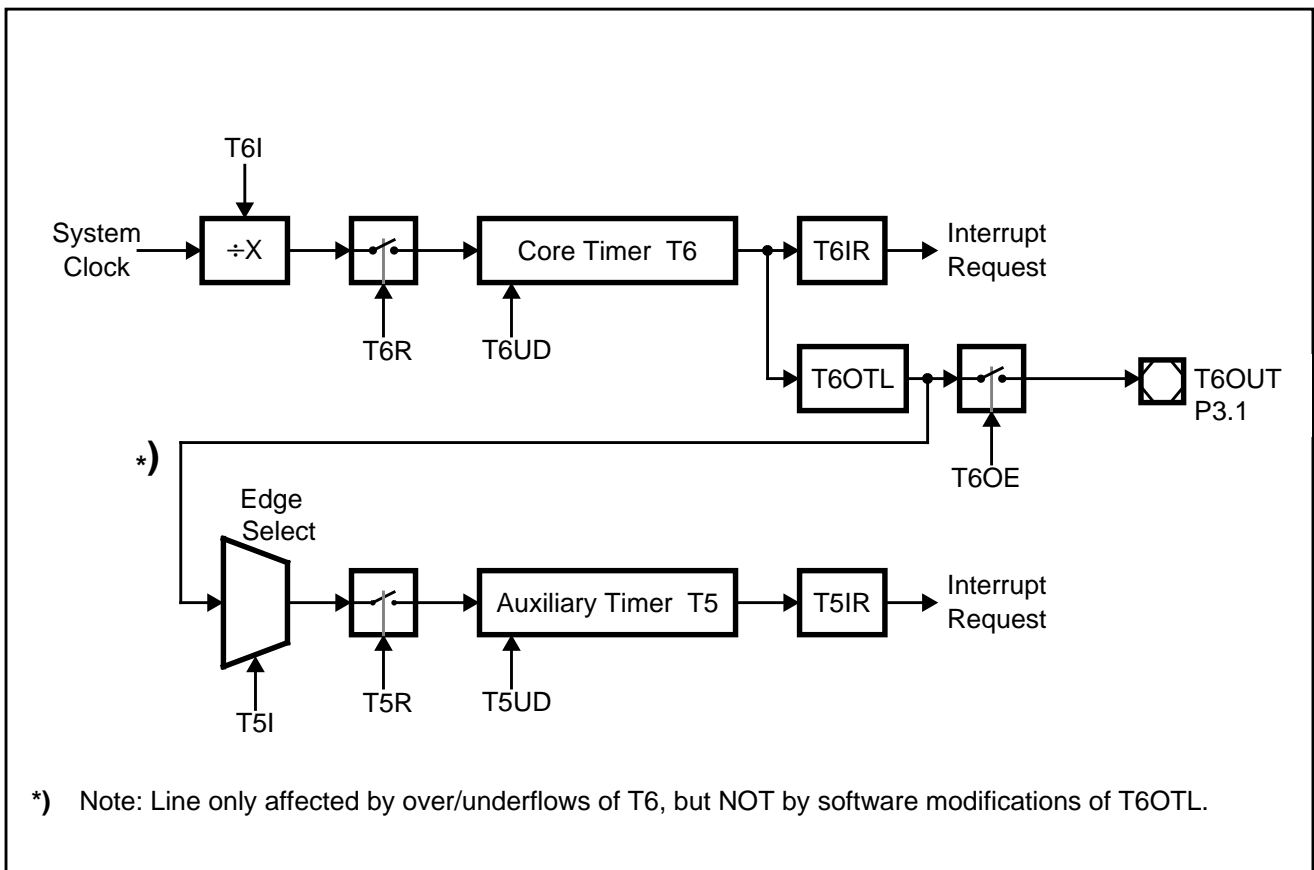


Figure 8.2.26
Concatenation of Timers T5 and T6

8.2.2.2.3 Timer T5 Interrupt Control

When timer T5 overflows from FFFFh to 0000h (when counting up), or when it underflows from 0000h to FFFFh (when counting down), the interrupt request flag T5IR in register T5IC will be set. This will cause an interrupt to the timer T5 interrupt vector T5INT, or will trigger a PEC transfer, if the interrupt enable bit T5IE in register T5IC is set. Figure 8.2.27 shows the organization of interrupt control register T5IC. Refer to Chapter 7 for more details on interrupts.

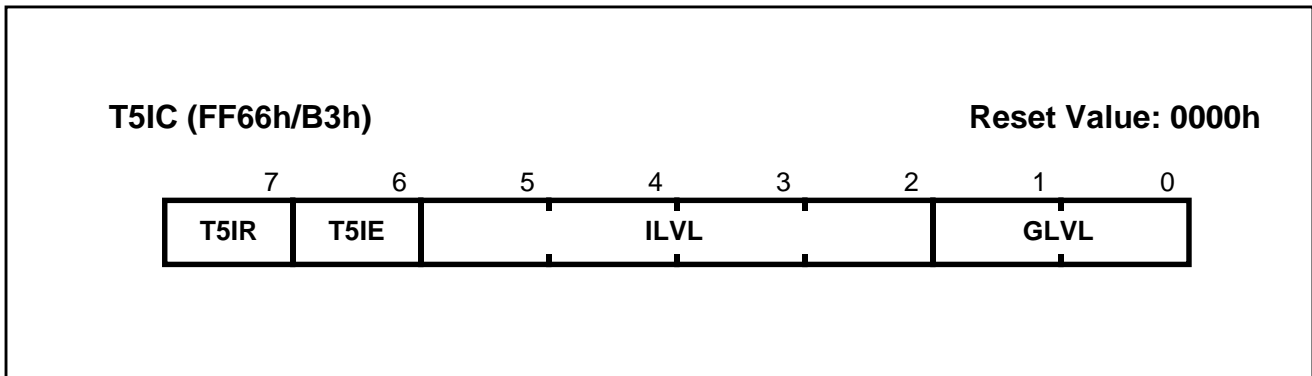


Figure 8.2.27
GPT2 Timer T5 Interrupt Control Register T5IC

8.2.2.3 GPT2 Capture/Reload Register CAPREL

This 16-bit register can be used as a capture register for the auxiliary timer T5 or as a reload register for the core timer T6, or as both. These functions are controlled separately by bits in the two timer control registers T5CON and T6CON. In the following, the use of register CAPREL in capture and reload mode is described in detail.

8.2.2.3.1 Capture Mode

This mode is selected by setting bit T5SC=1 in control register T5CON. The source for a capture trigger is the external input pin CAPIN, which is an alternate input function of port pin P3.2. Either a positive, a negative, or both a positive and a negative transition at this pin can be selected to trigger the capture function. The active edge is controlled by bit field CI in register T5CON according to table 8.2.11.

Table 8.2.11
Register CAPREL Capture Trigger Selection

CI		Contents of T5 Captured into CAPREL on
(1)	(0)	
0	0	No Transition Selected, Capture Disabled
0	1	Positive External Transition on CAPIN
1	0	Negative External Transition on CAPIN
1	1	Positive and Negative Transition External on CAPIN

For triggering a capture operation on register CAPREL, pin CAPIN/P3.2 must be configured as input by setting its direction control bit DP3.2 to '0'. The maximum input frequency for the capture trigger signal at pin CAPIN is $f_{OSC}/8$ (2.5 MHz @ $f_{OSC}=40$ MHz). To ensure that a transition of the capture trigger signal is correctly recognized, its level should be held for at least 4 state times before it changes.

When a selected transition at the external input pin CAPIN is detected, the contents of the auxiliary timer T5 are latched into register CAPREL, and interrupt request flag CRIR is set. With the same event, timer T5 can be cleared to 0000h. This option is controlled by bit T5CLR in register T5CON. If T5CLR=0, the contents of timer T5 are not affected by a capture. If T5CLR=1, timer T5 is cleared after the current timer value has been latched into register CAPREL. Figure 8.2.28 shows a block diagram of register CAPREL in capture mode.

Note that bit T5SC only controls whether a capture is performed or not. If T5SC=0, the input pin CAPIN can still be used as an external interrupt input (see also section 7.2.7). This interrupt is controlled by the CAPREL interrupt control register CRIC described in section 8.2.2.3.3.

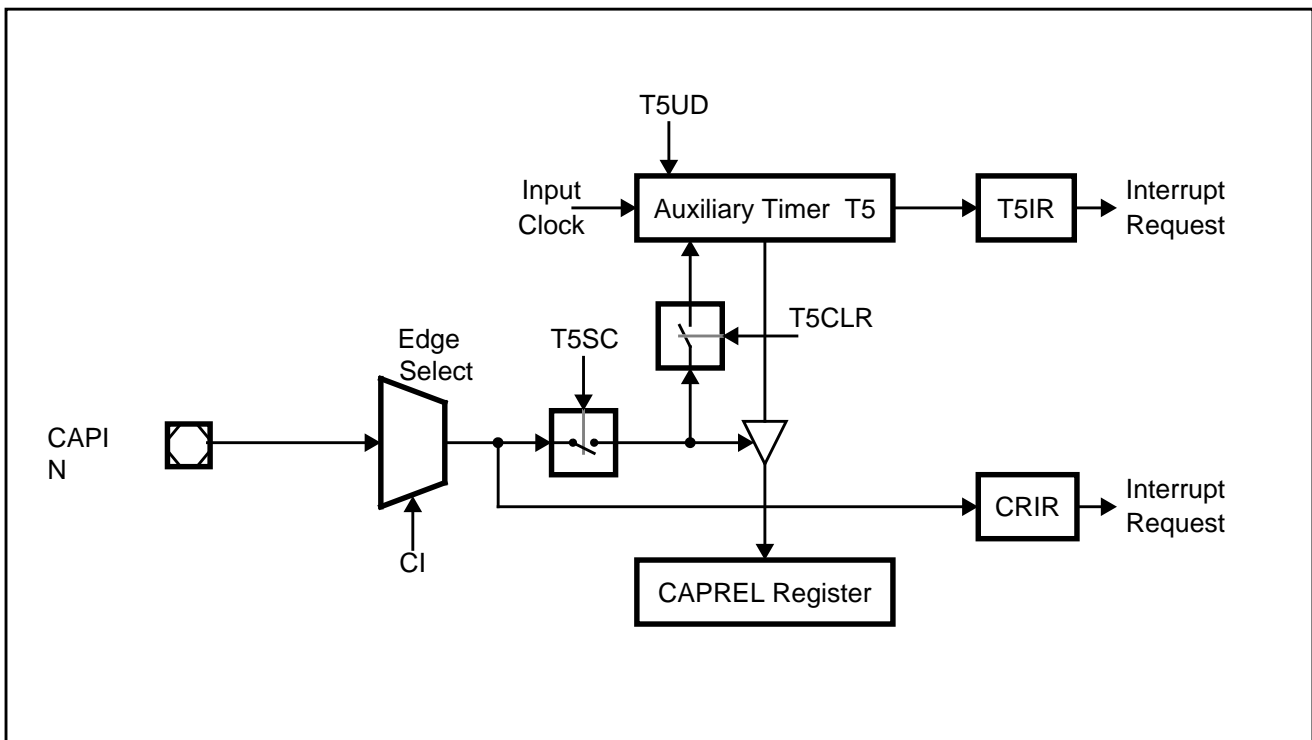


Figure 8.2.28
Register CAPREL in Capture Mode

8.2.2.3.2 Reload Mode

This mode is selected by setting bit T6SR=1 in register T6CON. The event causing a reload in this mode is an overflow or underflow of the core timer T6.

If T6SR=1 when timer T6 overflows from FFFFh to 0000h (when counting up) or when it underflows from 0000h to FFFFh (when counting down), the value stored in register CAPREL is loaded into timer T6. This will not set the interrupt request flag CRIR associated with the CAPREL register. However, interrupt request flag T6IR will be set indicating the overflow/underflow of T6. Figure 8.2.29 shows a block diagram of the reload mode of register CAPREL.

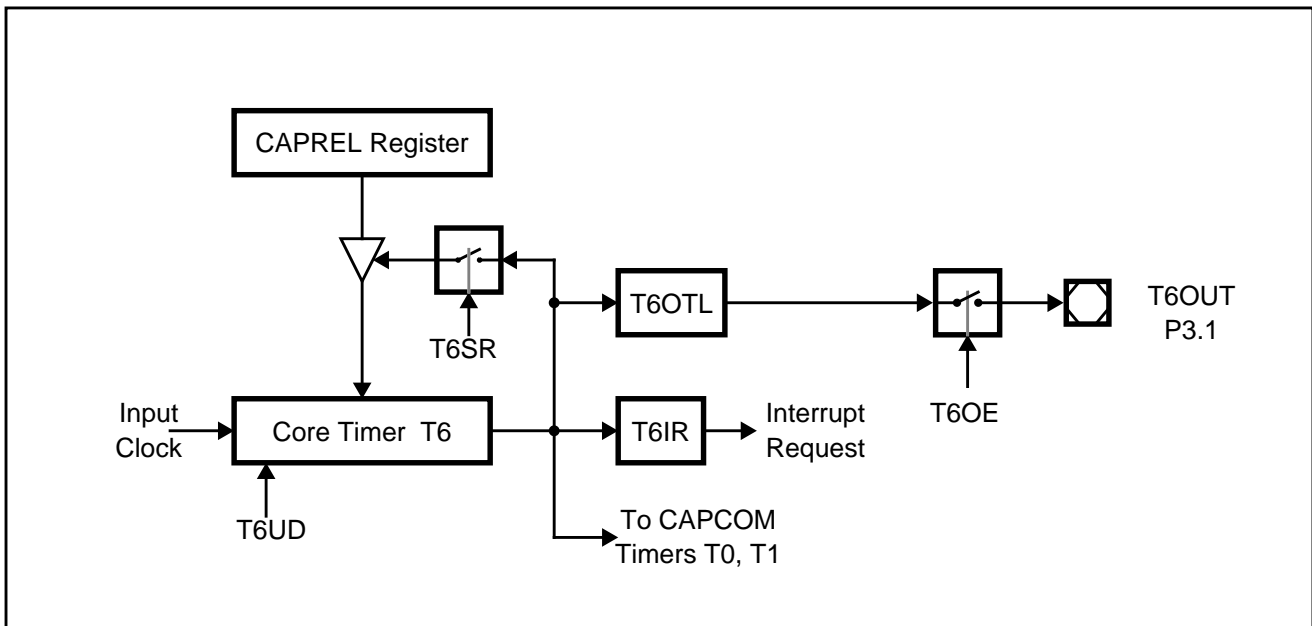


Figure 8.2.29
Register CAPREL in Reload Mode

8.2.2.3.3 CAPREL Register Interrupt Control

Whenever a transition according to the selection in bit field CI is detected at pin CAPIN/P3.2, interrupt request flag CRIR in register CRIC is set. This will cause an interrupt to the CAPREL register interrupt vector CRINT, or will trigger a PEC service if the interrupt enable bit CRIE in register CRIC is set. Figure 8.2.30 shows the organization of register CRIC. Refer to chapter 7 for more details on interrupts

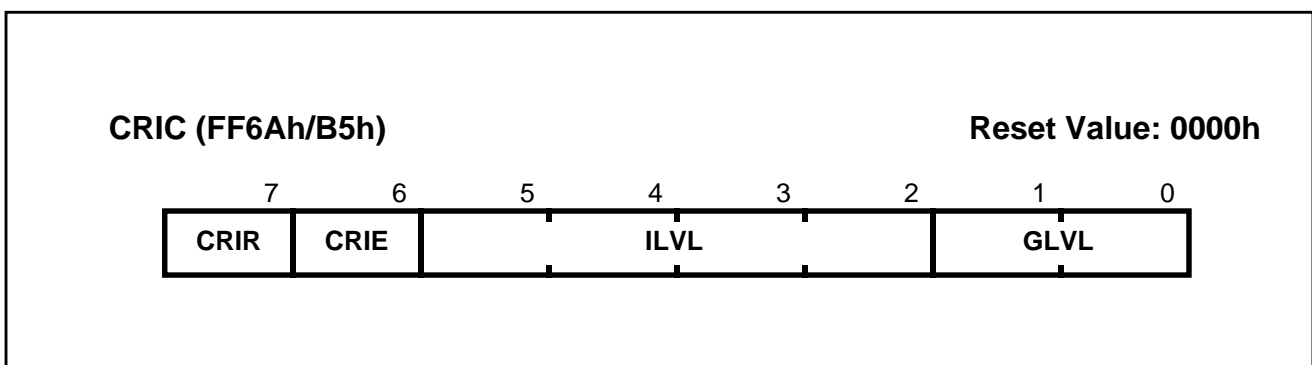


Figure 8.2.30
CAPREL Register Interrupt Control Register CRIC

8.2.2.3.4 Using the Capture and Reload Mode

Since the reload and the capture mode of register CAPREL can be configured individually by bits T5SC and T6SR, one can set both bits to use the two modes of register CAPREL simultaneously. This feature can be used to build a digital PLL configuration which generates an output frequency that is a multiple of the input frequency, as described in the following. Figure 8.2.31 shows a block diagram of this configuration. The operation in this mode will be explained with an example.

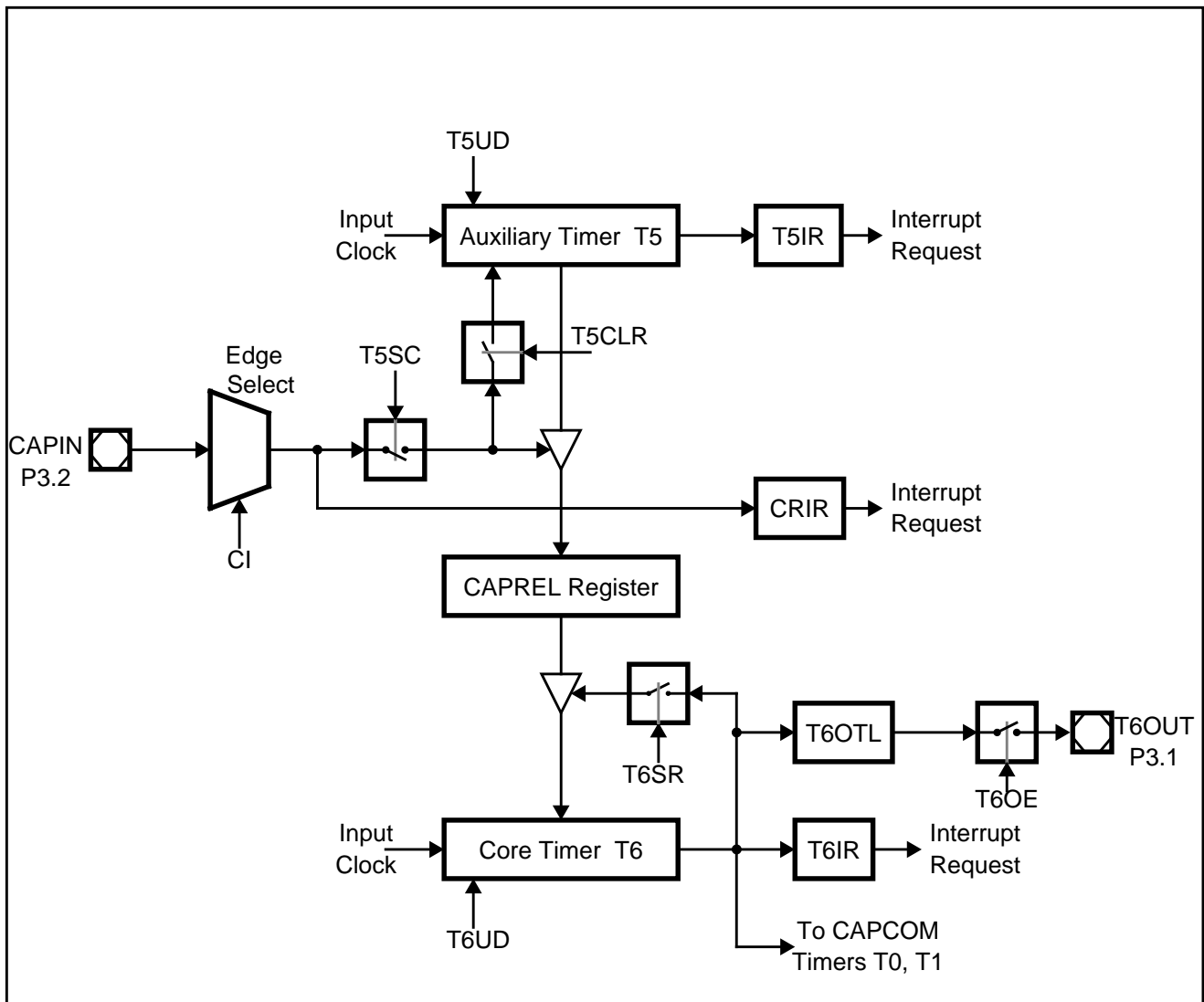


Figure 8.2.31 Register CAPREL in Capture and Reload Mode

Consider the case, where one has to detect consecutive external events which may occur aperiodically, but needs a finer resolution, that means, more 'ticks' within the time between two external events.

For this purpose, one measures the time between the external events using timer T5 and the CAPREL register. Timer T5 runs in timer mode counting up (T5UD=0) with a frequency of for example $f_{OSC}/64$. The external events are applied to pin CAPIN. When an external event occurs, the timer T5 contents are latched into register CAPREL, and timer T5 is cleared

(T5CLR=1). Thus, register CAPREL always contains the correct time between two events, measured in timer T5 increments. Timer T6, which runs in timer mode counting down (T6UD=1) with a frequency of for example $f_{OSC}/8$, uses the value in register CAPREL to perform a reload on underflow. This means, the value in register CAPREL represents the time between two underflows of timer T6, now measured in timer T6 increments. Since timer T6 runs 8 times faster than timer T5, it will underflow 8 times within the time between two external events. Thus, the underflow signal of timer T6 generates 8 'ticks'. Upon each underflow, interrupt request flag T6IR will be set and bit T6OTL will be toggled. The state of T6OTL may be output on pin T6OUT. This signal has 8 times more transitions than the signal which is applied to pin CAPIN.

The underflow signal of timer T6 can furthermore be used to clock the CAPCOM timers T0 and/ or T1, which gives the user the possibility to set compare events based on a finer resolution than that of the external events.

8.3 A/D Converter (ADC)

The SAB 80C166 provides a 10-bit A/D converter with 10 multiplexed analog input channels and a sample & hold circuit on-chip. It supports 4 different conversion modes, including single channel, single channel continuous, auto scan, and auto scan continuous conversion. The external analog reference voltages V_{AREF} and V_{AGND} are fixed. Figure 8.3.1 shows a block diagram of the A/D converter.

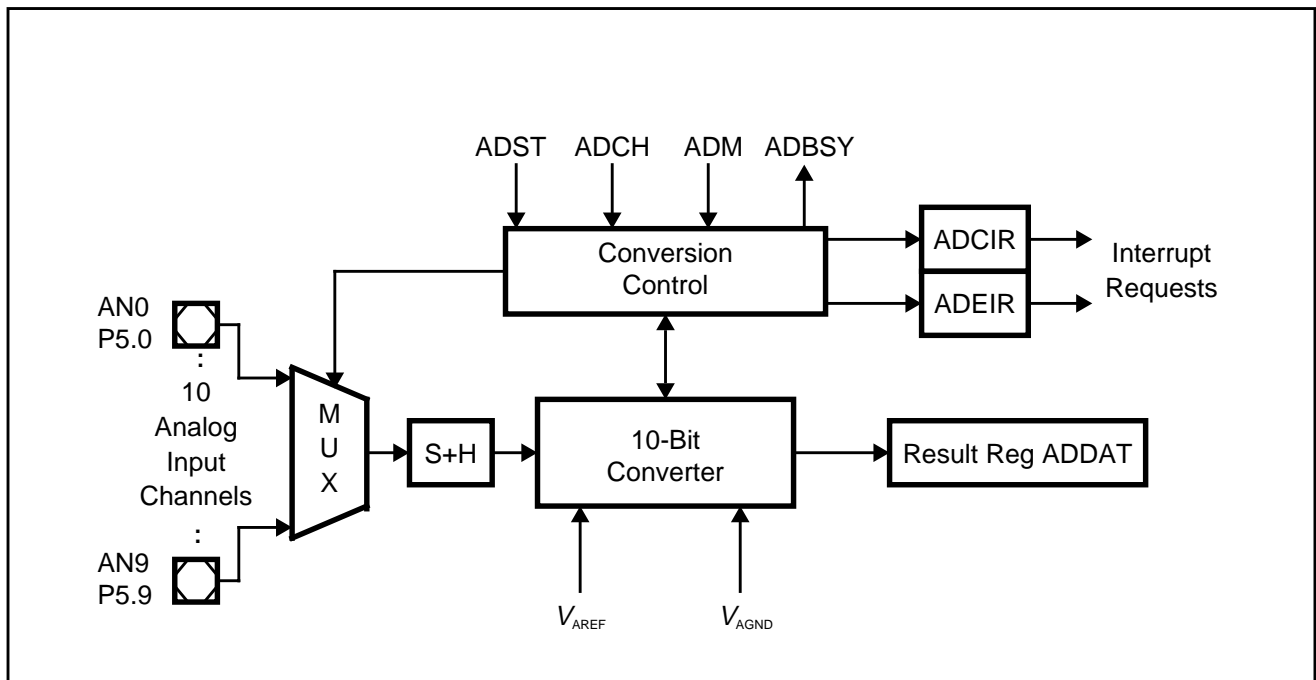


Figure 8.3.1
A/D Converter Block Diagram

In the following figure 8.3.2, all SFRs and port pins are listed which are associated with the A/D converter.

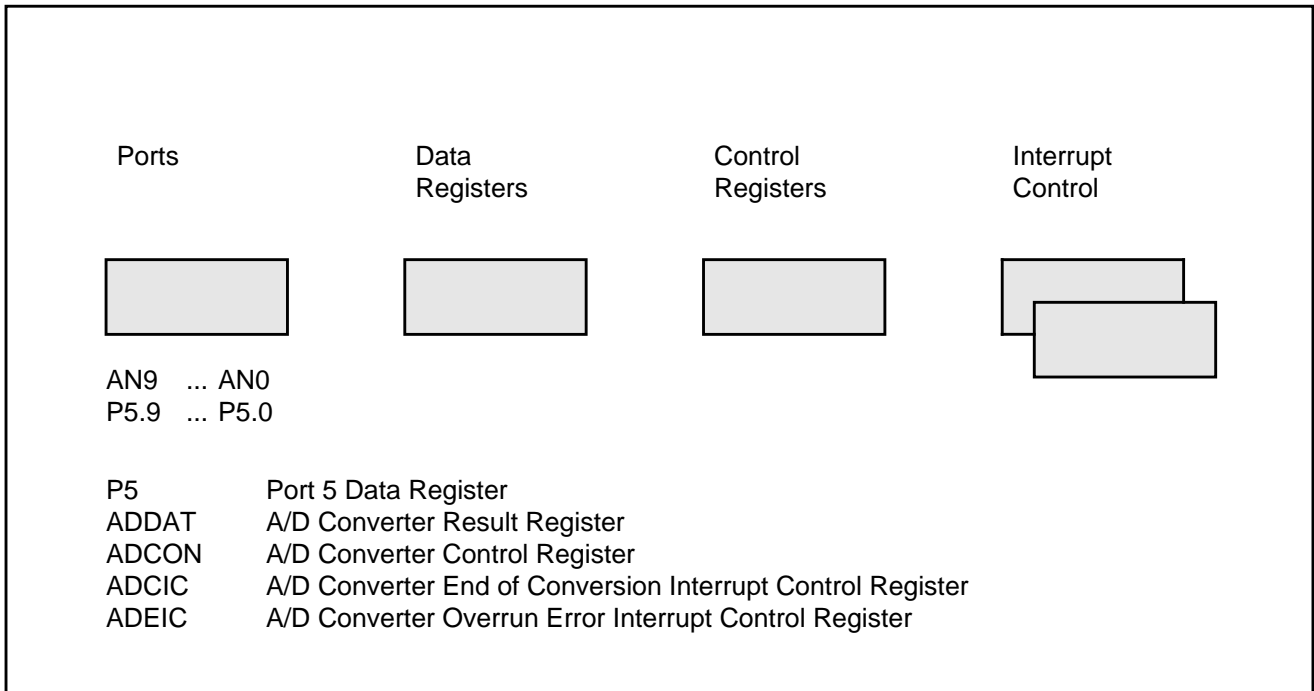


Figure 8.3.2
SFRs and Port Pins Associated with the A/D Converter

8.3.1 Conversion Modes and Operation

The analog input channels AN0 through AN9 are alternate functions of port 5, which is a 10-bit input only port. The port 5 lines may either be used as analog or digital inputs. No special action is required by the user software to configure the port 5 lines as analog inputs.

The functions of the A/D converter are controlled by the A/D Converter Control Register ADCON shown in figure 8.3.3. This bit-addressable register holds the bits which specify the analog channel, the conversion mode, and the status of the converter.

Bit ADST is used to start or stop the A/D converter. The busy flag ADBSY is a read-only flag which indicates whether a conversion is in progress or not. Bit field ADM determines the mode of operation of the A/D converter as illustrated in table 8.3.1. These modes will be discussed in detail in the following subsections.

Bit field ADCH in register ADCON specifies the analog input channel which is to be converted in the single channel conversion modes, or the channel with which a conversion sequence of different channels will be started in the auto scan modes. Table 8.3.2 shows the reference between the ADCH field and the selected input channels. Programming ADCH to one of the reserved combinations will produce invalid results.

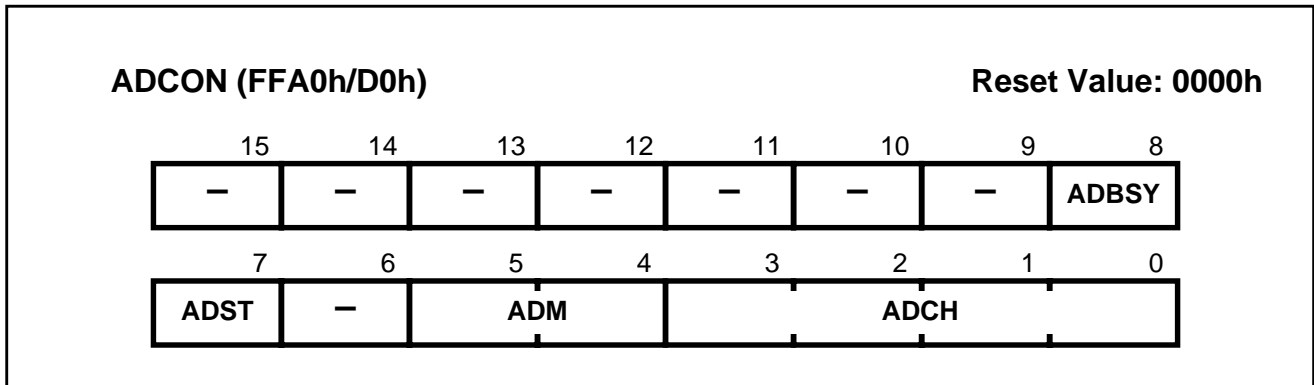


Figure 8.3.3
A/D Converter Control Register ADCON

Symbol	Position	Function
ADCH	ADCON [3 .. 0]	ADC Analog Input Channel Selection (see table 8.3.2)
ADM	ADCON [5 .. 4]	ADC Mode Selection (see table 8.3.1)
ADST	ADCON.7	ADC Start Bit
ADBSY	ADCON.8	ADC Busy Flag (read only): ADBSY = 0: No conversions in progress ADBSY = 1: Conversions in progress
-		(reserved)

Table 8.3.1
Conversion Mode Selection

ADM		Conversion Mode
(1)	(0)	
0	0	Single Channel Conversion
0	1	Single Channel Continuous Conversion
1	0	Auto Scan Conversion
1	1	Auto Scan Continuous Conversion

The A/D Converter Result Register ADDAT, shown in figure 8.3.4, holds the result of a conversion. The low order 10 bits (ADDAT [9..0]) contain the converted digital result, while the upper four bits (ADDAT [15..12]) represent the number of the channel which was converted. Register ADDAT is not bit-addressable. The data remains in ADDAT until it is overwritten by the data of the next conversion.

Table 8.3.2
Analog Input Channel Selection

ADCH				Selected Channel
(3)	(2)	(1)	(0)	
0	0	0	0	AN0: Analog Input Channel 0
0	0	0	1	AN1: Analog Input Channel 1
0	0	1	0	AN2: Analog Input Channel 2
0	0	1	1	AN3: Analog Input Channel 3
0	1	0	0	AN4: Analog Input Channel 4
0	1	0	1	AN5: Analog Input Channel 5
0	1	1	0	AN6: Analog Input Channel 6
0	1	1	1	AN7: Analog Input Channel 7
1	0	0	0	AN8: Analog Input Channel 8
1	0	0	1	AN9: Analog Input Channel 9
1	0	1	X	(reserved, no channel selected)
1	1	X	X	(reserved, no channel selected)

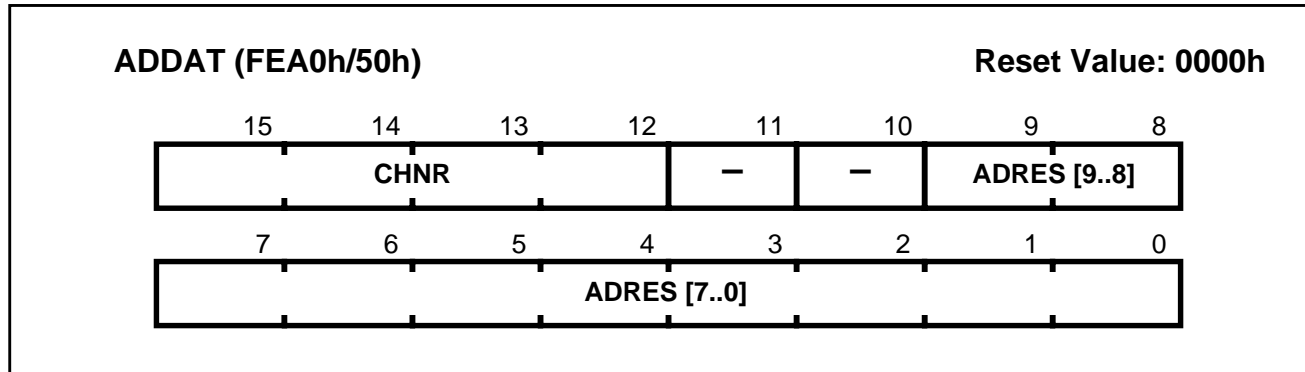


Figure 8.3.4
A/D Converter Result Register ADDAT

Symbol	Position	Function
ADRES	ADDAT [9 .. 10]	10-bit Result of the A/D Conversion
CHNR	ADDAT [15 .. 12]	4-bit Channel Number
-		(reserved)

In all 4 conversion modes, a conversion is started by setting bit ADST=1. This will also set the busy flag ADBSY. The converter then selects and samples the input channels specified by the channel selection field ADCH in register ADCON. This will take 1.575 μs (@ 40 MHz oscillator frequency). The sampled level will then be held internally for the rest of the conversion, which will require another 8.175 μs (@ 40 MHz). When the conversion of this channel is complete, the 10-bit result together with the number of the converted channel is transferred into the result register ADDAT, and the interrupt request flag ADCIR will be set. If a previous conversion result was not read out of register ADDAT by the time a new conversion is complete, then the A/D overrun error interrupt request flag ADEIR will also be set. The previous result in register ADDAT is lost because it is overwritten by the new value.

If bit ADST is reset and then set again while a conversion is in progress, this conversion will be aborted and the converter will start again. When setting bit ADST, a different conversion mode and channel number may be specified. While a conversion is in progress modifications to the mode selection field ADM will not become effective until the next conversion. Modifications to the channel selection field ADCH will not become effective until the next conversion in the single channel conversion modes, or the next conversion round in the auto scan modes.

8.3.1.1 Single Channel Conversion Mode

This mode is selected by programming the mode selection field ADM in register ADCON to '00b'. After starting the converter through bit ADST, the channel specified in bit field ADCH will be converted. After the conversion is complete, interrupt request flag ADCIR will be set and the converter will automatically stop and reset bits ADBSY and ADST. Resetting bit ADST while a conversion is in progress has no effect.

8.3.1.2 Single Channel Continuous Conversion

This mode is selected by bit combination '01b' in bit field ADM. After starting the converter, the specified channel will be converted repeatedly until the converter is stopped by software. Interrupt request flag ADCIR is set at the end of each single conversion. When bit ADST is reset by software, the converter will complete the current conversion and then stop and reset bit ADBSY.

8.3.1.3 Auto Scan Conversion Mode

With this mode, a set of different analog input channels can be converted without requiring software to change the channel number. The channels are converted consecutively, starting with channel ANn which is specified in bit field ADCH, down to and including channel AN0. The auto scan conversion mode is selected by '10b' in bit field ADM. After conversion of channel ANn has been completed, interrupt request flag ADCIR is set and the converter starts to convert channel ANn-1. This procedure is repeated until conversion of channel AN0 is complete. The A/D converter then stops and resets bits ADST and ADBSY. Resetting bit ADST while a conversion is in progress has no effect.

8.3.1.4 Auto Scan Continuous Conversion

This mode is selected by setting field ADM in register ADCON to '11b'. The auto scan continuous mode differs from the auto scan mode described in the previous section only in that the converter does not stop after the conversion of channel AN0 is completed. The internal channel number counter is reloaded with the channel number which is specified in register ADCON, and the conversion round is started again. This procedure is repeated until the converter is stopped by software. When bit ADST is reset by software, the converter will continue until the conversion of channel AN0 is complete. It will then stop and reset bit ADBSY.

8.3.2 A/D Converter Interrupt Control

At the end of each conversion, interrupt request flag ADCIR in interrupt control register ADCIC is set. This end-of-conversion interrupt request may cause an interrupt to vector ADCINT, or it may trigger a PEC data transfer which stores the conversion result from register ADDAT e.g. into a table in the internal RAM for later evaluation. Note that the number of the converted channel is contained in the four most significant bits in register ADDAT.

When the conversion result has not been read out of register ADDAT at the time the next conversion is complete, the previous result will be overwritten and interrupt request flag ADEIR in register ADEIC will be set. This overrun error interrupt request of the A/D converter may be used to cause an interrupt to vector ADEINT. Figure 8.3.5 shows the interrupt control registers which are associated with the A/D converter. For more details on interrupts refer to chapter 7.

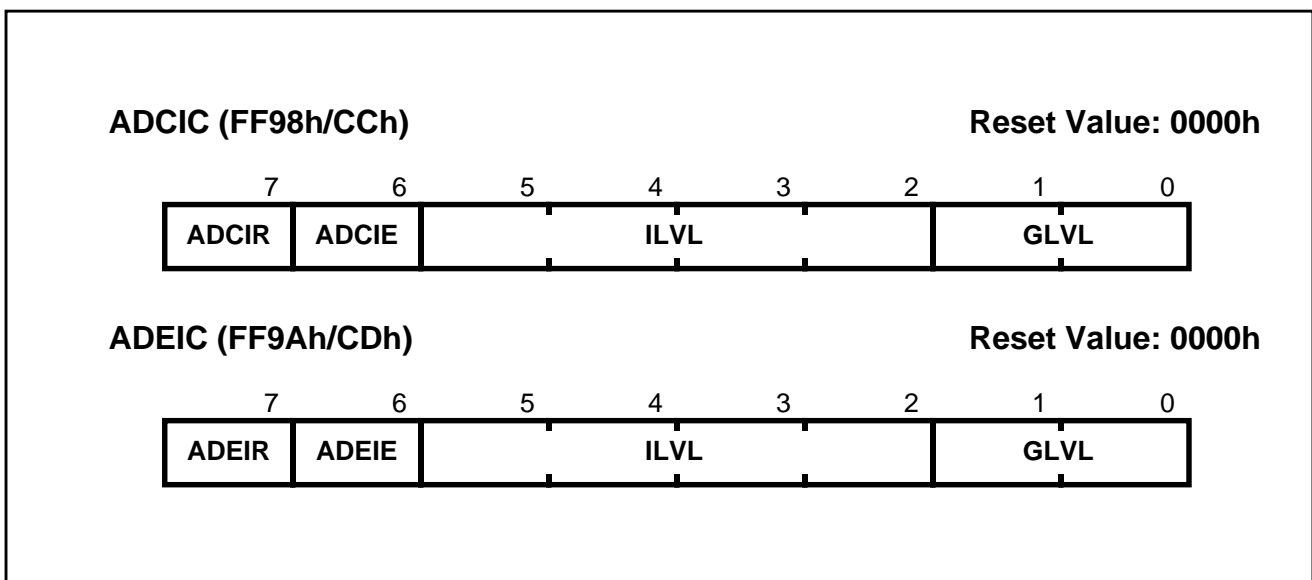


Figure 8.3.5
Interrupt Control Registers ADCIC and ADEIC

8.4 Serial Channels

For serial communication with other microcontrollers, microprocessors, and external peripherals, the SAB 80C166 has two identical serial interfaces on-chip, Serial Channel 0 (ASC0) and Serial Channel 1 (ASC1). They support full-duplex asynchronous communication up to 625 KBaud and half-duplex synchronous communication up to 2.5 MBaud. In the synchronous mode, data are transmitted or received synchronous to a shift clock which is generated by the SAB 80C166. In the asynchronous mode, 8- or 9-bit data transfer, parity generation, and the number of stop bits can be selected. The reception of data is double-buffered. Parity, framing, and overrun error detection is provided to increase the reliability of data transfers. For multiprocessor communication, a mechanism to distinguish address from data bytes is included, and a loop-back option is available for testing purposes. Each serial channel has separate interrupt vectors for receive, transmit, and error, and each channel has its own dedicated baud rate generator. This is a 13-bit timer with a 13-bit reload register which supports a wide range of baud rates without oscillator tuning.

Figure 8.4.1 gives an overview of the SFRs and port pins which are associated with the serial channels. Those portions of Port 3 and its direction control register DP3 which are not used for alternate functions by the serial channels are not shaded.

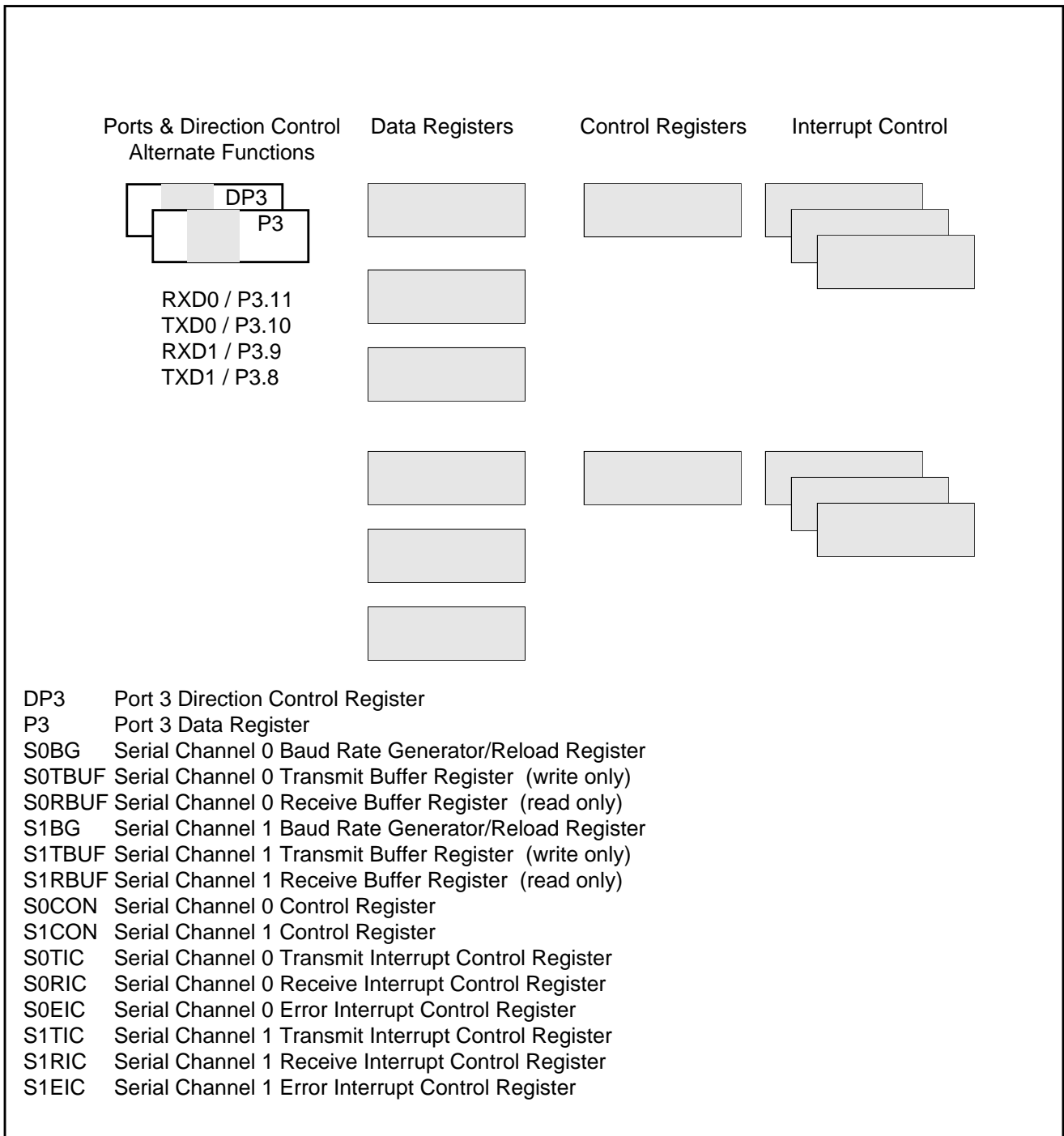


Figure 8.4.1
SFRs and Port Pins Associated with the Serial Channels

8.4.1 Modes of Operation

The operation of the serial channels ASC0 and ASC1 is controlled by the bit-addressable control registers S0CON and S1CON, which are shown in figure 8.4.2. They contain control bits for mode and error check selection, and status flags for error identification

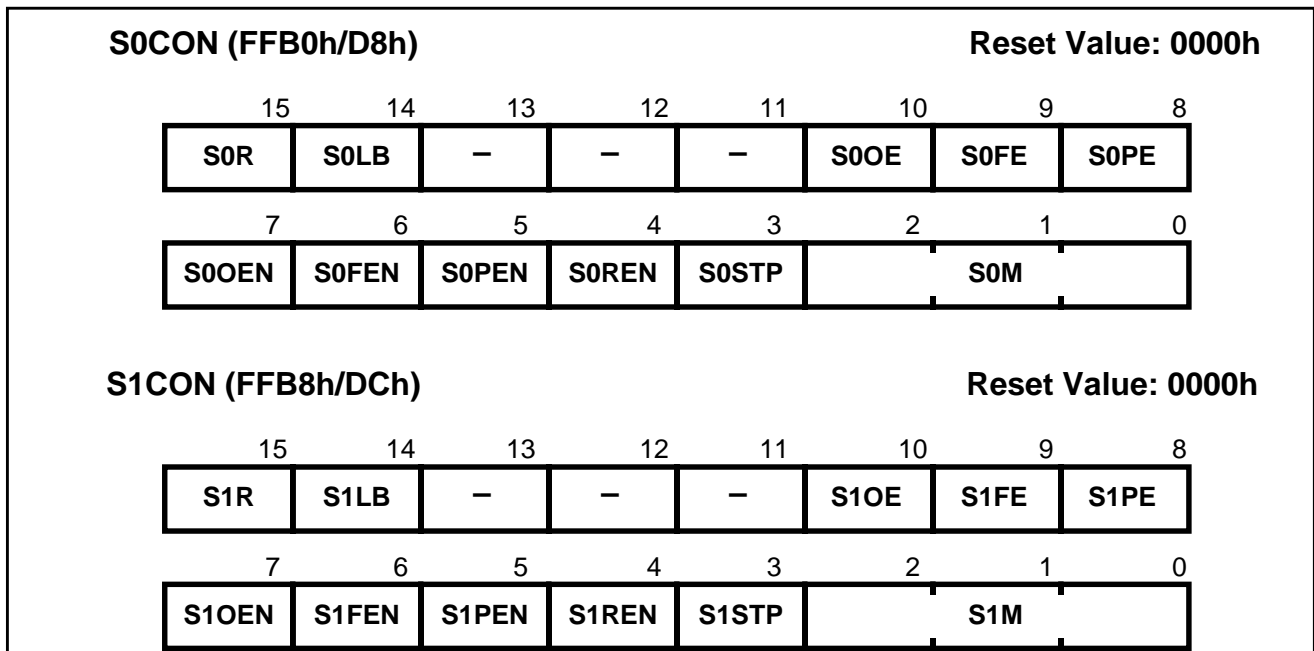


Figure 8.4.2
Serial Channels Control Registers S0CON and S1CON

Symbol	Position	Function
SxM	SxCON [2 .. 0]	ASCx Mode Control (see table 8.4.1)
SxSTP	SxCON.3	Number of Stop Bits Selection. SxSTP = 0: One Stop Bit SxSTP = 1: Two Stop Bits
SxREN	SxCON.4	Receiver Enable Bit. Used to Initiate Reception. Reset by hardware after a byte in synchronous mode has been received SxREN = 0: Receiver Disabled SxREN = 1: Receiver Enabled
SxPEN	SxCON.5	Parity Check Enable Bit. SxPEN = 0: Parity Check Disabled SxPEN = 1: Parity Check Enabled
SxFEN	SxCON.6	Framing Check Enable Bit. SxFEN = 0: Framing Check Disabled SxFEN = 1: Framing Check Enabled
SxOEN	SxCON.7	Overrun Check Enable Bit. SxOEN = 0: Overrun Check Disabled SxOEN = 1: Overrun Check Enabled
SxPE	SxCON.8	Parity Error Flag. Set by hardware when a parity error occurs and SxPEN = 1. Must be reset by software.
SxFE	SxCON.9	Framing Error Flag. Set by hardware when a framing error occurs and SxFEN = 1. Must be reset by software
SxOE	SxCON.10	Overrun Error Flag. Set by hardware when an overrun error occurs and SxOEN = 1. Must be reset by software.

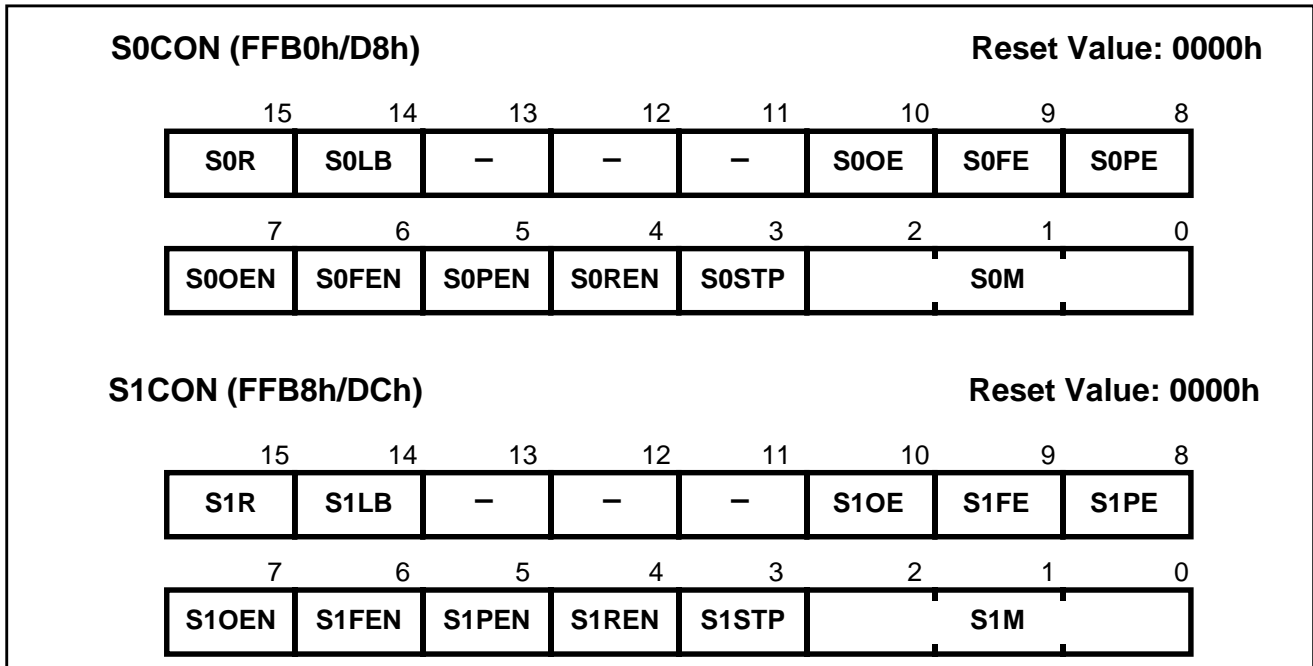


Figure 8.4.2 (cont'd)
Serial Channels Control Registers S0CON and S1CON

Symbol	Position	Function
SxLB	SxCON.14	Loop Back Mode Enable Bit SxLB = 0: Loop Back Mode Disabled SxLB = 1: Loop Back Mode Enabled
SxR	SxCON.15	ASCx Baud Rate Generator Run Bit SxR = 0: Baud Rate Generator Disabled SxR = 1: Baud Rate Generator Enabled
–		(reserved)
x = (0,1)		

Serial data transmission or reception is only possible when the Baud Rate Generator Run Bit S0R or S1R for the respective channel is set to '1'. The individual operating mode for each channel is determined by the mode control fields S0M and S1M in registers S0CON and S1CON as shown in table 8.4.1. These fields may not be programmed to one of the reserved combinations, otherwise unpredictable results may occur.

A transmission will be performed by writing the data to be transmitted into the associated Transmit Buffer register S0TBUF or S1TBUF. In general, any instruction or PEC data transfer operation which uses these registers as destination will initiate a transmission. Note that S0TBUF and S1TBUF are non-bit-addressable WRITE ONLY registers, and that only the number of data bits which is determined by the selected operating mode will actually be transmitted. This means that the bits written to positions 9 through 15 of registers S0TBUF and S1TBUF are always insignificant. After a transmission has been completed, the transmit buffer registers are cleared to 0000h.

Table 8.4.1
Serial Channel Modes of Operation

S0M/S1M			Mode	
(2)	(1)	(0)		
0	0	1	8-bit data	asynchronous operation
0	1	1	7-bit data+parity bit,	asynchronous operation
1	0	0	9-bit data,	asynchronous operation
1	0	1	8-bit data+wake-up bit,	asynchronous operation
1	1	1	8-bit data+parity bit,	asynchronous operation
0	0	0	8-bit data,	synchronous operation
X	1	0	(reserved)	

Data reception is enabled by the Receiver Enable Bits S0REN and S1REN, respectively. After reception of a character has been completed, the received data and, if provided by the selected operating mode, the received parity bit can be read from the Receive Buffer registers S0RBUF or S1RBUF of the associated serial channel. These registers are non-bit-addressable READ ONLY registers. Bits in the upper half of S0RBUF and S1RBUF which are not significant for the selected operating mode will be read as zeros.

Data reception is double-buffered, so that reception of a second character may already begin before the previously received character has been read out of the receive buffer register. In all modes, receive buffer overrun error detection can be selected through bits S0OEN and S1OEN. When enabled, the overrun error status flag S0OE or S1OE and the error interrupt request flag S0EIR or S1EIR for the respective channel will be set when the receive buffer register has not been read by the time reception of a second character is complete. The previously received character in the receive buffer is overwritten.

In each of the operating modes provided by the serial channels of the SAB 80C166, a loop-back option can be selected through bits S0LB or S1LB. This option allows to simultaneously receive the data which are being transmitted by the SAB 80C166. All operating modes of the serial channels will be described in detail in the following subsections.

8.4.1.1 Asynchronous Operation

In asynchronous operation, full-duplex communication is supported. The same operating mode and baud rate is used for both transmission and reception. Each serial channel of the SAB 80C166 has two pins associated with it which are alternate functions of port 3 pins. RXD0/P3.11 and TXD0/P3.10 are used by ASC0 in asynchronous operation as receive data input and transmit data output pins, respectively, while RXD1/P3.9 and TXD1/P3.8 are used by ASC1. Figure 8.4.3 shows a block diagram of a serial channel in the asynchronous mode of operation.

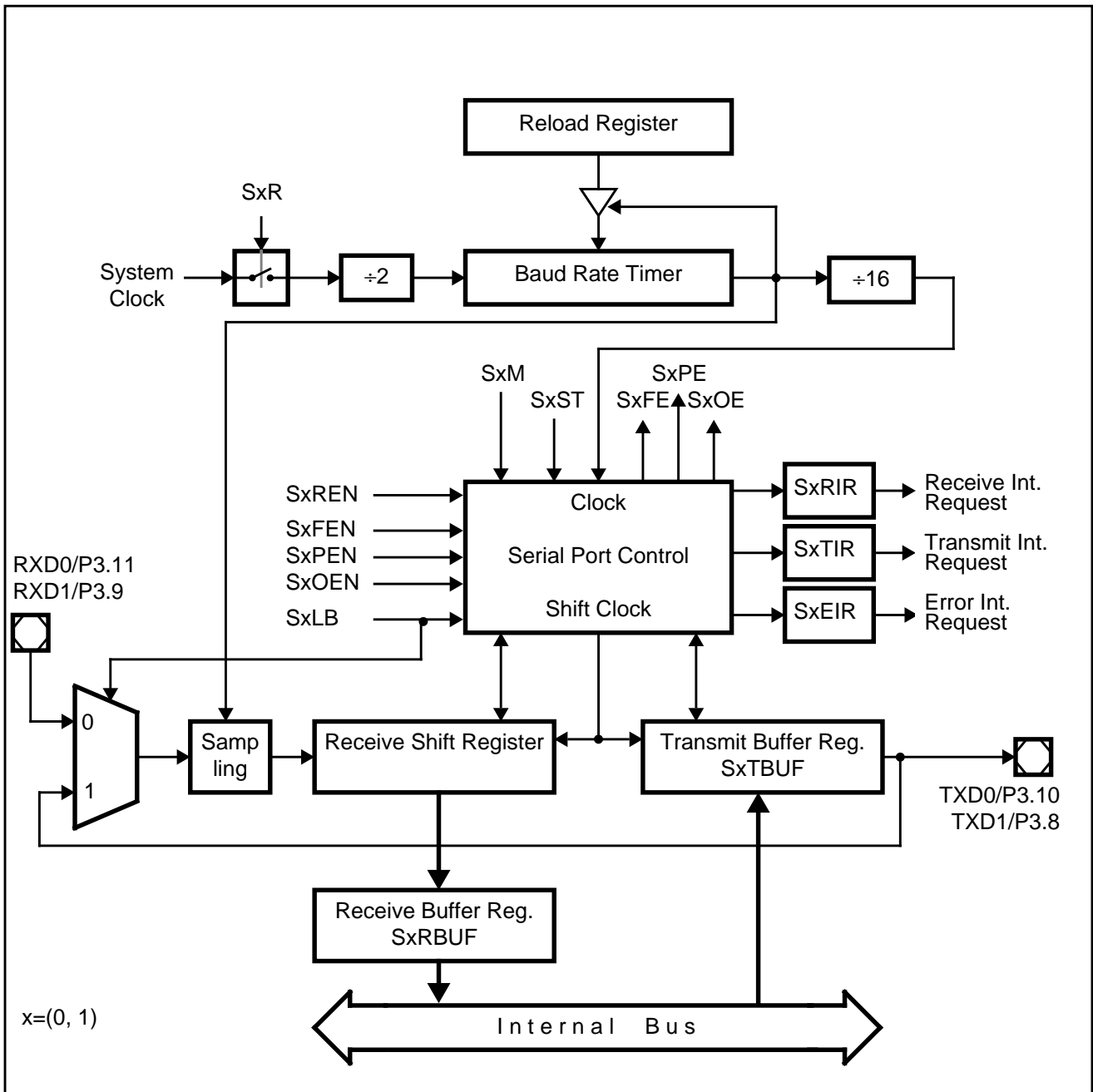


Figure 8.4.3
Serial Channel Asynchronous Mode Block Diagram

Information Frames in Asynchronous Operation

Each information frame that can be transmitted or received by the serial channels in asynchronous operation consists of the following elements:

- One start bit
- An 8-bit or 9-bit data frame, selected by bit fields S0M/S1M
- One or two stop bits, selected by bits S0STP/S1STP in control registers S0CON/S1CON

Figure 8.4.4 shows an information frame with an 8-bit data frame. D0 to D6 are data bits. D7 can be configured as the 8th data bit (8-bit data mode) or as the parity bit (7-bit data + parity bit mode).

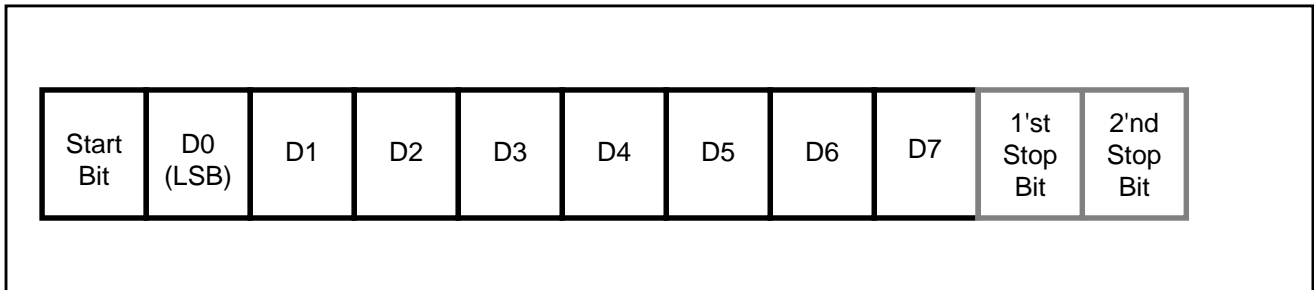


Figure 8.4.4
8-Bit Data Frame

Figure 8.4.5 shows an information frame with a 9-bit data frame. D0 to D7 are data bits. D8 can be configured to either be the 9th data bit (9-bit data mode), the parity bit (8-bit data + parity bit mode), or the special wake-up bit used in multiprocessor communication (8-bit data+wake-up bit mode).

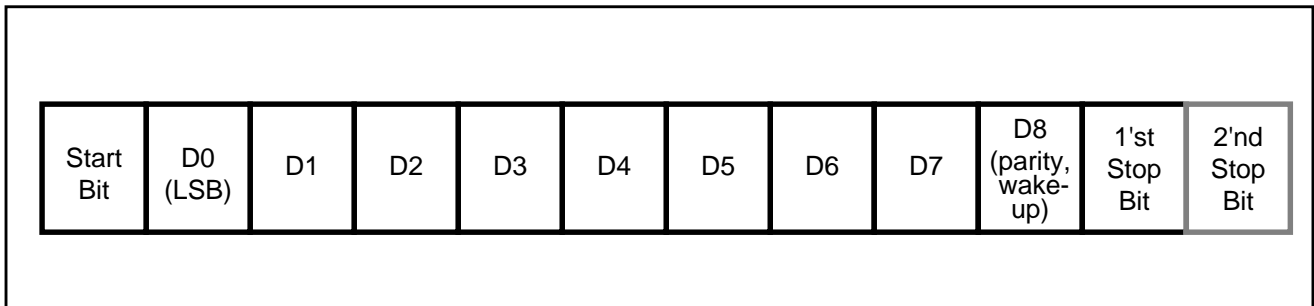


Figure 8.4.5
9-Bit Data Frame

Asynchronous Transmission

A transmission is initiated by writing the data to be transmitted into the transmit data buffer register S0TBUF or S1TBUF, respectively. However, a transmission will only be performed if the corresponding baud rate generator run bit S0R=1 or S1R=1 at the time the write operation to the transmit buffer occurs. Transmission then starts at the next overflow of the divide-by-16 counter (see figure 8.4.3). First the start bit will be output on the associated transmit data output pin TXD0 or TXD1, followed by the selected number of data bits, LSB first. In the two modes with parity bit generation, the parity bit will automatically be generated by hardware and inserted at the MSB position of the data frame during transmission.

When one stop bit has been selected for the data frame (S0STP=0 or S1STP=0), the corresponding transmit interrupt request flag S0TIR or S1TIR will be set after the last bit of the data frame (including the parity or wake-up bit) has been sent out, otherwise it will be set after the first stop bit has been sent out.

When a write operation to the transmit data buffer is performed while a transmission on the respective channel is in progress, the current transmission will be aborted, the associated output pin TXD0 or TXD1 will go high, and a new character frame will be sent with the data written to S0TBUF or S1TBUF at the next overflow of the divide-by-16-counter. Continuous data transfer can be achieved by using the transmit interrupt request to reload the transmit data buffer in the interrupt service routine or by PEC data transfer.

In order to use pin TXD0/P3.10 or TXD1/P3.8 as transmit data output, the corresponding port data output latch P3.10 or P3.8 must be set to '1', and the pin must be configured as output by setting its direction control bit DP3.10 or DP3.8 to '1'.

Asynchronous Reception

Reception is initiated on channel ASC0 by a detected 1-to-0 transition on pin RXD0 if bit S0R=1 and S0REN=1, and on ASC1 by a 1-to-0 transition on RXD1 if S1R=1 and S1REN=1. The receive data input pins RXD0 and RXD1 are sampled at 16 times the rate of the selected baud rate. The 7th, 8th, and 9th sample are examined by the internal bit detectors. The effective bit value is determined by a majority decision in order to avoid erroneous results that may be caused by noise.

If the detected value is not a '0' when the start bit is sampled, the receive circuit is reset and waits for the next 1-to-0 transition at pin RXD0 or RXD1, respectively. If the start bit proves valid, the receive circuit continues sampling and shifts the incoming data frame into the receive shift register.

When the last stop bit has been received, the contents of the receive shift register are transferred to the receive data buffer register. Simultaneously, the receive interrupt request flag S0RIR or S1RIR is set after the 9th sample in the first stop bit time slot when one stopbit has been programmed, or in the second stop bit time slot when two stop bits are programmed, regardless whether valid stop bits have been received or not. The receive circuit then waits for the next start bit (1-to-0 transition) at its receive data input pin. Note that in the 8-bit data+wake-up bit mode the data from receive shift register will only be transferred into SORBUF/S1RBUF and the receive interrupt request flag will only be set if the 9th data bit received was a '1'.<

When the receiver enable bit S0REN or S1REN of a serial channel in asynchronous operation is reset to '0' while a reception is in progress, the current reception will be completed, including generation of the receive interrupt request and, in case of errors, generation of the error interrupt request and setting of the error status flags which are described in the following. Reception then stops for the affected channel, and further start bits at the receive data input pin will be ignored.

In order to use pin RXD0/P3.11 or RXD1/P3.9 as receive data input, the corresponding direction control bit DP3.11 or DP3.9 must be set to '0'.

Hardware Error Detection Capabilities

To improve the safety of asynchronous data exchange, the serial channels of the SAB 80C166 provide selectable hardware error detection capabilities. For each channel, three error status flags in the channel's control register S0CON or S1CON indicate whether an error has been detected during reception. Upon completion of a reception, the error interrupt request flag S0EIR or S1EIR will be set simultaneously with the receive interrupt request flag S0RIR or S1RIR if one or more of the following conditions are met:

- If the framing error detection enable bit S0FEN or S1FEN is set and any of the expected stop bits is not high, the framing error flag S0FE or S1FE is set indicating that the error interrupt request is due to a framing error.
- If the parity error detection enable bit S0PEN or S1PEN is set in the modes where a parity bit is received, and the parity check on the received data bits proves false, the parity error flag S0PE or S1PE is set indicating that the error interrupt request is due to a parity error.
- If the overrun error detection enable bit S0OEN or S1OEN is set and the last character received was not read out of the receive buffer by software or PEC transfer at the time reception of a new frame is complete, the overrun error flag S0OE or S1OE is set indicating that the error interrupt request is due to an overrun error.

In the following subsections, specific characteristics of the individual operating modes for the asynchronous communication are described in more detail.

8.4.1.1.1 8-Bit Data Mode

This mode is selected by programming the mode selection field S0M or S1M in register S0CON or S1CON to '001b'. The data frame which will be transmitted and/or received consists of 8 data bits. After a reception, the upper byte of the receive buffer register contains zero. The parity checking function upon reception is disabled in this mode, independent of the state of S0PEN and S1PEN. The overrun and framing checks, however, can be enabled.

8.4.1.1.2 7-Bit Data+Parity Bit Mode

This mode is selected by programming the respective mode selection field S0M or S1M to '011b'. The data frame which will be transmitted and/or received consists of 7 data bits and a parity bit. All error checks may be enabled in this mode.

On transmission, the parity bit is automatically generated by hardware and inserted at the MSB position of the data frame. The parity bit is set to '1' if the modulo 2 sum of the 7 data bits is 1, otherwise it is cleared (even parity).

On reception, the parity on the 7 data bits received is generated by hardware. The result is then compared to the 8th bit received, which is the parity bit. If the comparison proves false, both the parity error flag and the error interrupt request flag for the respective serial channel are set, provided the parity check has been enabled in the serial channel's control register. The actual parity bit received is placed in the 8th bit of the receive data buffer register. The upper byte of the receive buffer register is always zero in this mode.

8.4.1.1.3 9-Bit Data Mode

This mode is selected by programming the respective mode selection field S0M or S1M to '100b'. The data frame which will be transmitted consists of the lower 9 bits of the transmit buffer register.

On reception, all 9 data bits received are transferred from the receive shift register to the receive buffer register, and the remaining 7 bits (9 through 15) of the receive buffer register are cleared to zero. The parity checking function upon reception is disabled in this mode, independent of the state of S0PEN and S1PEN. The overrun and framing checks, however, can be enabled.

8.4.1.1.4 8-Bit Data+Wake-Up Bit Mode

This is a special mode provided to facilitate multiprocessor communication, and it is selected by programming the mode selection field S0M or S1M to '101b'. The data frame which will be transmitted includes the lower 9 bits of the transmit buffer register.

The operation in this mode is basically the same as in the 9-bit data mode. However, on reception, if the 9th data bit received is a '0', the received data are not transferred into the receive buffer registers SORBUF/S1RBUF and no receive interrupt request will be generated. A way to use this feature in multiprocessor systems is as follows:

When the master processor wants to transmit a block of data to one of several slaves, it first sends out an address byte which identifies the target slave. An address byte differs from a data byte in that the additional 9th bit is a '1' for an address byte and a '0' for a data byte. Operating in the 8-bit data + wake-up bit mode, no slave will be interrupted by a data 'byte'. An address 'byte', however, will interrupt all slaves, so that each slave can examine the 8 LSBs of the received character and see if it is being addressed. The addressed slave will switch its operating mode to the 9-bit data mode (e.g by clearing bit SxM.0, see table 8.4.1) and prepare to receive the data bytes that will be coming. The slaves that were not being addressed remain in the 8-bit data + wake-up bit mode, ignoring the incoming data bytes.

8.4.1.1.5 8-Bit Data+Parity Bit Mode

This mode is selected by programming the respective mode selection field S0M or S1M to '111b'. The data frame which will be transmitted and/or received consists of 8 data bits and a parity bit. All error checks may be enabled in this mode.

On transmission, the parity bit (even parity) is automatically generated based on the 8 data bits and inserted at the MSB position of the data frame.

On reception, the parity on the 8 data bits received is generated and the result is compared to the 9th bit received, which is the parity bit. If the compared bits are different, both the parity error flag and the error interrupt request flag are set, provided the parity check has been enabled. The actual parity bit received is placed in the 9th bit of the receive data buffer register, and the remaining 7 bits (9 through 15) of the receive buffer register are cleared to zero.

8.4.1.2 Synchronous Operation

This operating mode of the serial channels ASC0 and ASC1 allows half-duplex communication and is mainly provided for simple I/O expansion via shift registers. 8 data bits are transmitted or received synchronous to a shift clock generated by the internal baud rate generator. The shift clock is only active as long as data bits are transmitted or received. Synchronous operation is selected by programming the mode control field S0M or S1M of a serial channel to '000b'. Figure 8.4.6 shows a block diagram of a serial channel in synchronous mode.

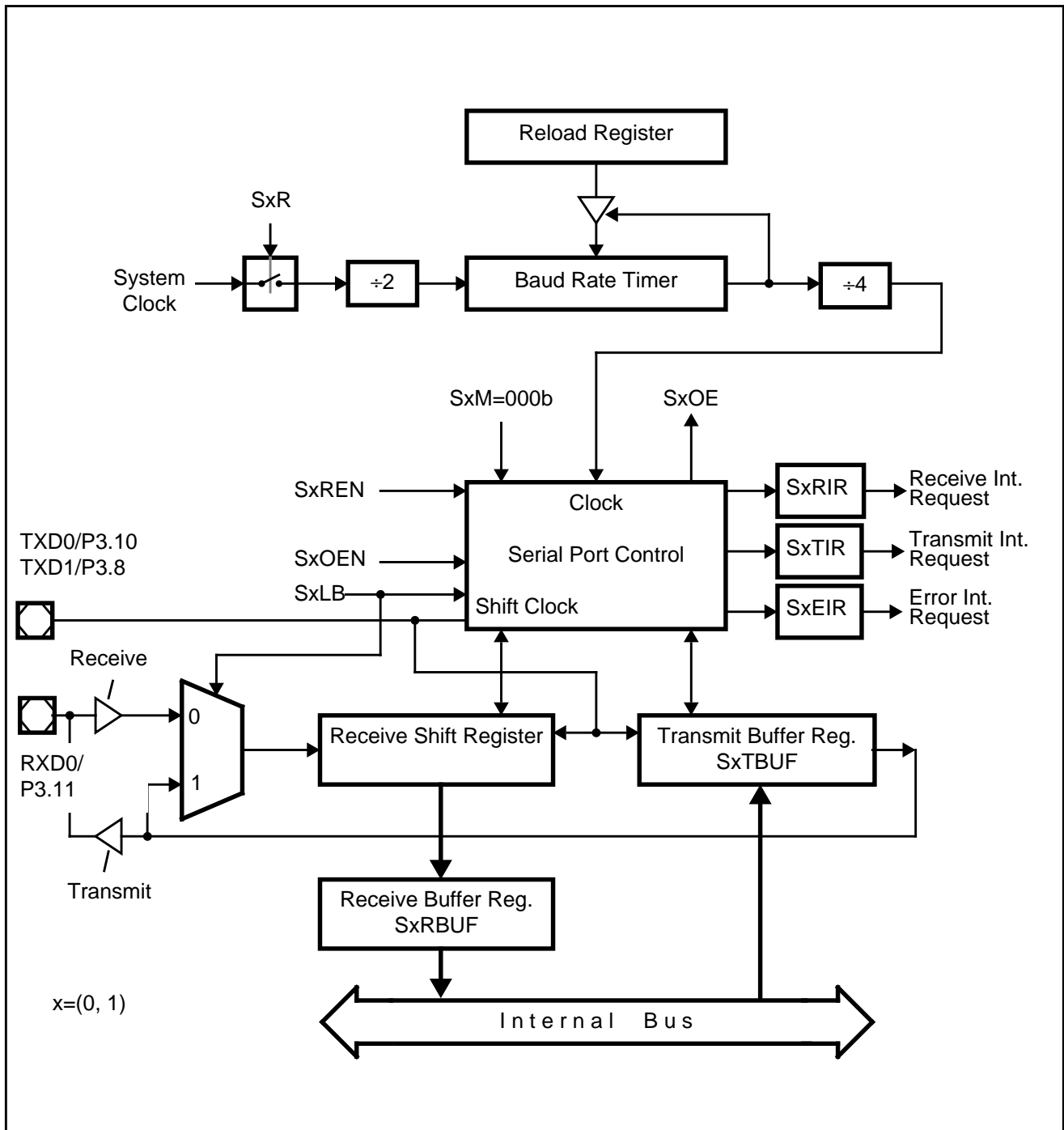


Figure 8.4.6
Serial Channel Synchronous Mode Block Diagram

In synchronous operation, pin TXD0/P3.10 is used by ASC0 to output the shift clock, while RXD0/P3.11 either serves as transmit data input or receive data output. Channel ASC1 uses pins RXD1/P3.9 and TXD1/P3.8 for these purposes.

8.4.1.2.1 Synchronous Data Transmission

For data transmission, the transmit data buffer register S0TBUF (S1TBUF) is loaded with the byte to be transmitted. If bit S0R=1 and S0REN=0 in register S0CON (S1R=1 and S1REN=0 in S1CON) at that time, the LSB of the transmit buffer register will appear at pin RXD0 (RXD1) within 4 state times after this write operation has been executed. Subsequently, the contents of the transmit buffer register are shifted out synchronous with the clock at the corresponding shift clock output pin TXD0 (TXD1). After the bit time for the 8th bit, both pins TXD0 and RXD0 (TXD1 and RXD1) will go high, the transmit interrupt request flag S0TIR (S1TIR) is set, and serial data transmission stops.

While a synchronous data transmission is in progress, any write operation to the transmit buffer register of this serial channel will abort the current transmission and start a new transmit process. When the receiver enable bit S0REN or S1REN is set to '1' during a transmission, unpredictable results may occur on the affected channel.

In order to configure TXD0/P3.10 or TXD1/P3.8 as shift clock output, both the corresponding port output bit latch P3.10 or P3.8 and the direction control bit DP3.10 or DP3.8 must be set to 1. Pin RXD0/P3.11 or RXD1/P3.9 is each configured as transmit data output by setting both P3.11=1 and DP3.11=1, or P3.9=1 and DP3.9=1, respectively.

8.4.1.2.2 Synchronous Data Reception

Data reception is initiated by setting bit S0REN=1 (S1REN=1). If bit S0R=1 (S1R=1), the data applied at pin RXD0 (RXD1) are clocked into the receive shift register synchronous to the clock which is output at pin TXD0 (TXD1). After the 8th bit has been shifted in, the contents of the receive shift register are transferred to the receive data buffer S0RBUF (S1RBUF), the receive interrupt request flag S0RIR (S1RIR) is set, the receiver enable bit S0REN (S1REN) is reset, and serial data reception stops. RXD0/P3.11 or RXD1/P3.9 are configured as receive data input by setting DP3.11=0 or DP3.9=0.

Once a reception is in progress on a serial channel, resetting its receiver enable bit S0REN or S1REN to '0' by software has no effect. Writing to its transmit buffer register while a reception is in progress has no effect on reception nor will it ever start a transmission.

In synchronous operation, the low byte of the receive buffer register represents the received data, while the high byte is always zero after synchronous reception. If a previously received byte has not been read out of the receive buffer register at the time reception of the next byte is complete, both the error interrupt request flag S0EIR or S1EIR and the overrun error status flag S0OE or S1OE will be set, provided the overrun check has been enabled by bit S0OEN or S1OEN.

8.4.1.3 Loop-Back Mode

For testing purposes, a special loop-back mode is provided which allows testing of each serial channel without using the alternate functions of the port pins associated with this channel. While in loop-back mode, instead of receiving data from the RXD0 or RXD1 pin, the data which are transmitted are simultaneously clocked into the receive shift register.

A transmission in loop-back mode is initiated for channel ASC0 by a write operation to S0TBUF when S0LB=1, S0REN=1 and S0R=1, and for ASC1 by writing to S1TBUF with S1LB=1, S1REN=1 and S1R=1. This feature is available for all operating modes (asynchronous and synchronous) of the serial channels.

8.4.2 Baud Rates

Each of the serial channels of the SAB 80C166 has its own dedicated 13-bit baud rate generator with 13-bit reload capability, allowing independent baud rate selection for each channel.

Both baud rate generators are 13-bit timers clocked with the internal system clock divided by 2 (10 MHz @ 40 MHz oscillator frequency). The timers are counting downwards and can be started or stopped through the Baud Rate Generator Run Bits S0R or S1R in register S0CON or S1CON. Each underflow of a timer provides one clock pulse to a serial channel. The timers are reloaded with the value stored in their 13-bit reload register each time they underflow.

Thus, the baud rate of a serial channel is determined by the oscillator frequency, the reload value, and the mode (asynchronous or synchronous) of the serial channel.

Registers S0BG and S1BG are the dual-function Baud Rate Generator/Reload registers. Reading S0BG or S1BG returns the contents of the timer, while writing to S0BG or S1BG always updates the reload register. When writing to S0BG or S1BG (i.e., to the reload registers), the 3 upper bits 13 through 15 are insignificant, while reading S0BG or S1BG (i.e., the timer registers) always returns zero in bits 13 through 15.

An auto-reload of the timer with the contents of the reload register is performed each time S0BG or S1BG is written to. However, if S0R=0 or S1R=0 at the time the write operation to S0BG or S1BG is performed, the timer will not be reloaded until the first instruction cycle after S0R=1 or S1R=1.

8.4.2.1 Asynchronous Mode Baud Rates

In asynchronous operation, the baud rate generators provide a clock with 16 times the rate of the established baud rate. The reason for this is that on reception every bit frame is sampled 16 times. Thus, the baud rates Basync0 and Basync1 for the serial channels ASC0 and ASC1 in asynchronous operation are determined by the following formulas:

$$\text{Basync0} = \frac{f_{\text{osc}}}{64 * (<S0BRL> + 1)} \quad , \quad \text{Basync1} = \frac{f_{\text{osc}}}{64 * (<S1BRL> + 1)}$$

<S0BRL> and <S1BRL> represent the contents of the reload registers, taken as unsigned 13-bit integers.

Table 8.4.2 lists various commonly used baud rates together with the required reload value. The maximum baud rate that can be achieved for the asynchronous modes when using a 40 MHz oscillator is 625 KBaud.

Table 8.4.2
Asynchronous Modes Baud Rates

Baud Rate		f_{osc}	Reload Value
625	KBaud	40 MHz	0000h
19.2	KBaud	39.3216 MHz	001Fh
9600	Baud	39.3216 MHz	003Fh
4800	Baud	39.3216 MHz	007Fh
2400	Baud	39.3216 MHz	00FFh
1200	Baud	39.3216 MHz	01FFh
600	Baud	39.3216 MHz	03FFh
75	Baud	39.3216 MHz	1FFh

8.4.2.2 Synchronous Mode Baud Rates

In the synchronous mode, the baud rate generators provide 4 times the rate of the desired baud rate. Therefore, the underflow rate coming from the baud rate timers is additionally divided by four. The maximum baud rate that can be achieved in synchronous operation when using a 40 MHz oscillator is 2.5 MBaud. Generally, the baud rates Bsync0 and Bsync1 for the serial channels in synchronous operation are determined as follows:

$$\text{Bsync0} = \frac{f_{\text{osc}}}{16 * (<S0BRL>+1)} \quad , \quad \text{Bsync1} = \frac{f_{\text{osc}}}{16 * (<S1BRL>+1)}$$

8.4.3 Serial Channels Interrupt Control

Three bit addressable interrupt control registers are provided for each serial channel. Registers S0TIC and S1TIC control the transmit interrupt, registers S0RIC and S1RIC control the receive interrupt, and registers S0EIC and S1EIC control the error interrupt of serial channel ASC0 and ASC1, respectively. Each interrupt source also has its own dedicated interrupt vector. S0TINT is the transmit interrupt vector, S0RINT is the receive interrupt vector, and S0EINT is the error interrupt vector for channel ASC0, while S1TINT, S1RINT, and S1EINT are the corresponding interrupt vectors for ASC1.

The cause of an error interrupt request (framing, parity, overrun error) can be identified by the error status flags in control registers S0CON and S1CON. Note that, unlike the error interrupt request flags S0EIR or S1EIR, the error status flags S0FE/S0PE/S0OE or S1FE/S1PE/S1OE are not reset automatically upon entry into the error interrupt service routine, but must be cleared by software.

Figure 8.4.7 shows the organization of the interrupt control registers associated with the serial channels. For more details on interrupts refer to chapter 7.

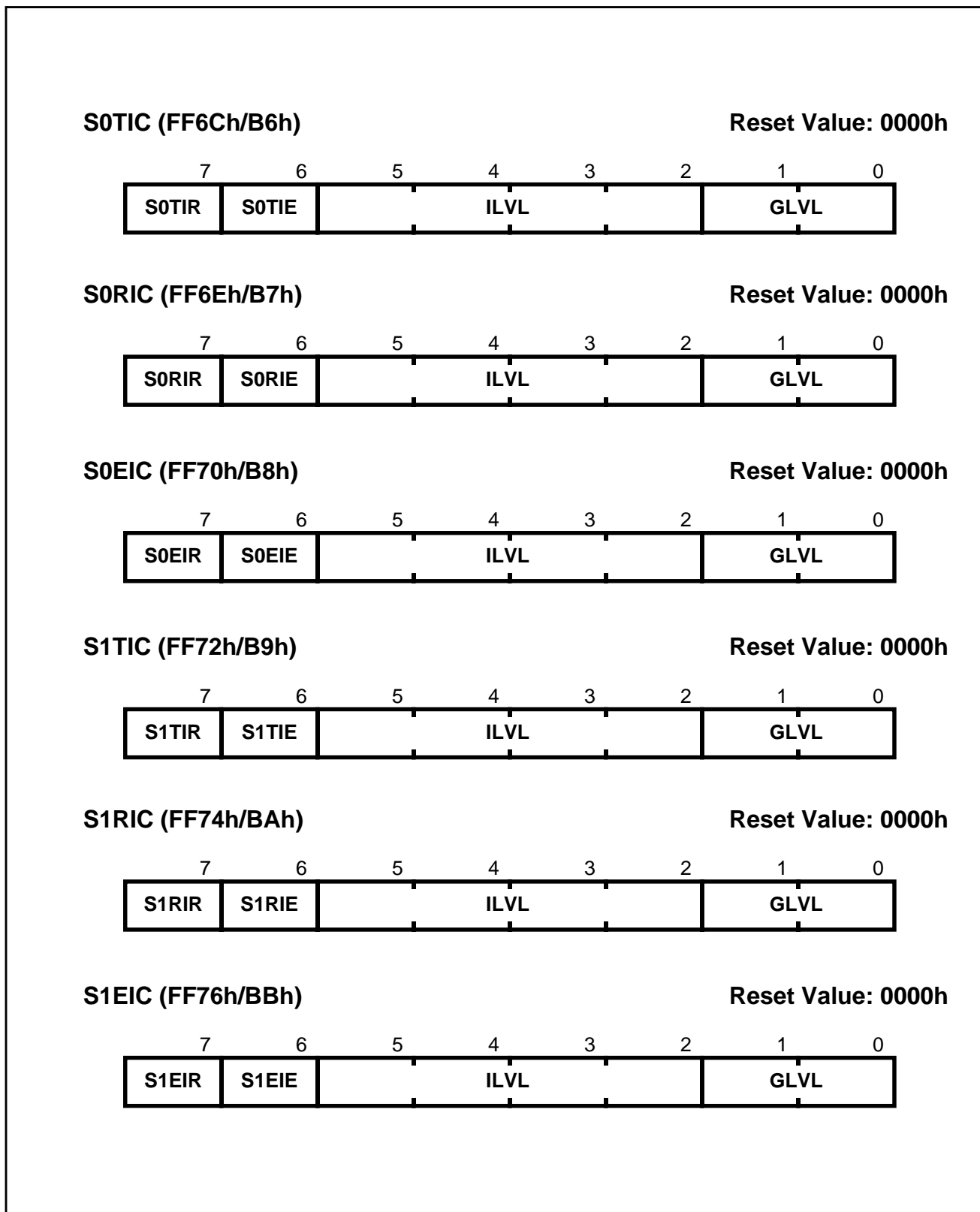


Figure 8.4.7
Serial Channel Interrupt Control Registers

8.5 Watchdog Timer (WDT)

To allow recovery from software or hardware failure, a Watchdog Timer has been provided in the SAB 80C166. If the software fails to service this timer before an overflow occurs, an internal hardware reset will be initiated. This internal reset will also pull the RSTOUT# pin low (see chapter 11). When the software has been designed to service the Watchdog Timer before it overflows, the Watchdog Timer times out if the program does not progress properly. The Watchdog Timer will also time out if a software error was due to hardware related failures. This prevents the controller from malfunctioning for longer than a user-specified time.

The Watchdog Timer is a 16-bit up counter which can be clocked with either the oscillator frequency (f_{OSC}) divided by 4 or with $f_{OSC} / 256$. The upper 8 bits of the Watchdog Timer can be preset to a user-programmable value in order to vary the watchdog time. Figure 8.5.1 shows a block diagram of the Watchdog Timer, while figure 8.5.2 shows the SFRs and the reset indication pin RSTOUT# which are associated with the Watchdog Timer.

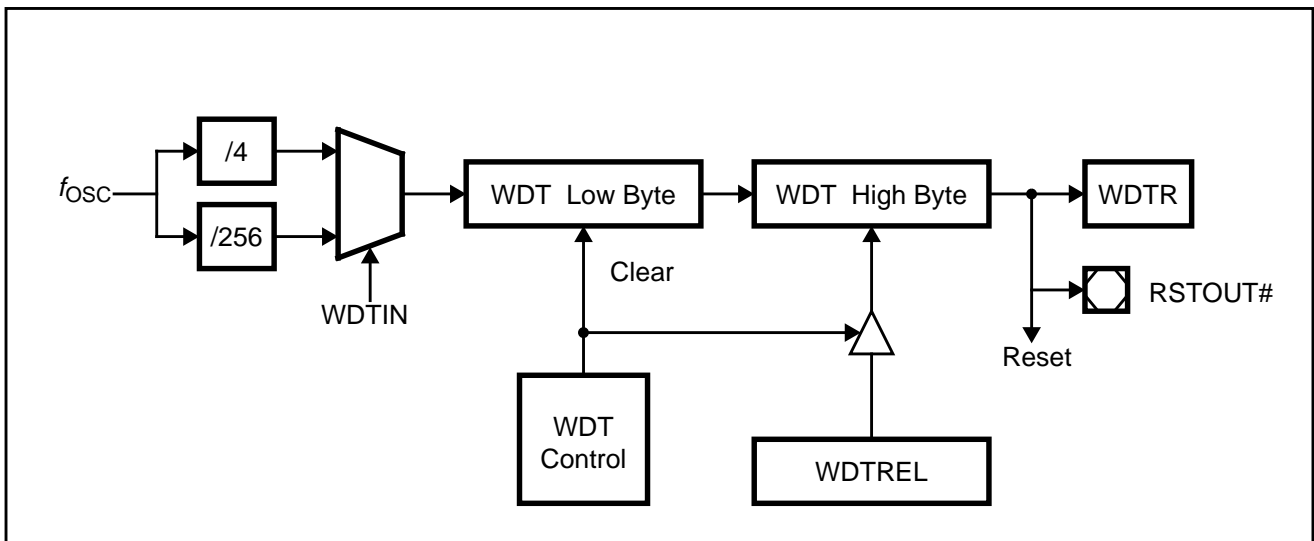


Figure 8.5.1 Watchdog Timer Block Diagram

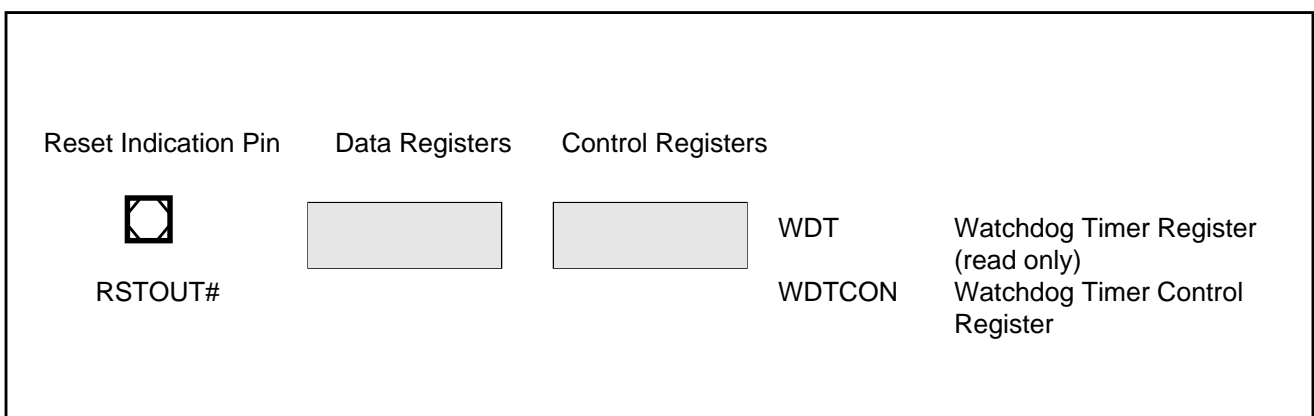


Figure 8.5.2 SFRs and Reset Indication Pin Associated with the Watchdog Timer

Watchdog Operation

The current count value of the Watchdog Timer is contained in the Watchdog Timer Register WDT, which is a non-bit-addressable READ-ONLY register. The operation of the Watchdog Timer is controlled by the bit-addressable Watchdog Timer Control Register WDTCON shown in figure 8.5.3.

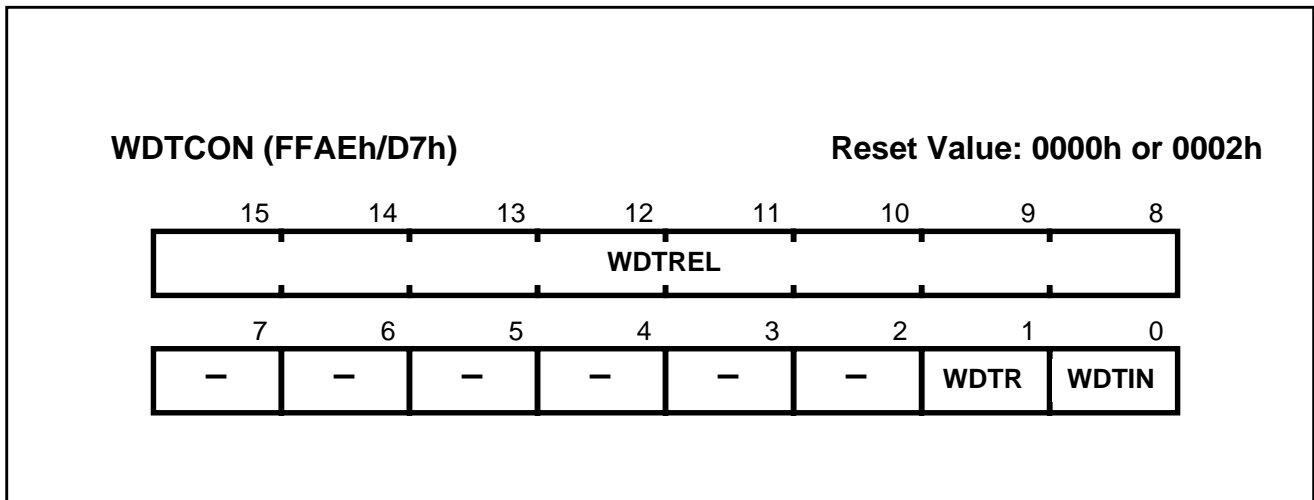


Figure 8.5.3
Watchdog Timer Control Register WDTCON

Symbol	Position	Function
WDTIN	WDTCON.0	Watchdog Timer Input Frequency Selection: WDTIN = 0: $f_{OSC} / 4$ WDTIN = 1: $f_{OSC} / 256$
WDRTR	WDTCON.1	Watchdog Timer Reset Indication Flag (read-only): Set by Watchdog Timer overflow. Cleared by hardware reset or by the SRVWDT instruction
WDTREL	WDTCON [15 .. 8]	Reload Value for the high byte of the Watchdog Timer
-		(reserved)

After any software-, external hardware-, or Watchdog Timer reset, the Watchdog Timer is enabled and starts counting up from 0000h with the frequency $f_{OSC}/4$. The Watchdog Timer can be disabled via the instruction DISWDT (Disable Watchdog Timer). Instruction DISWDT is a protected 32-bit instruction which will ONLY be executed during the time between a reset and execution of either the EINIT (End of Initialization) or the SRVWDT (Service Watchdog Timer) instruction. Either one of these instructions disables the execution of DISWDT.

When the Watchdog Timer is not disabled via instruction DISWDT, it will continue counting up, even during Idle Mode. If it is not serviced via the instruction SRVWDT by the time the count reaches FFFFh, the Watchdog Timer will overflow and cause an internal reset. This reset will pull the external reset indication pin RSTOUT# low. It differs from a software or external hardware reset in that bit WDTR (Watchdog Timer Reset Indication flag) of register WDTCON will be set. A hardware reset or the SRVWDT instruction will clear this bit. Bit WDTR can then be examined by software in order to determine the cause of the reset.

To prevent the Watchdog Timer from overflowing, it must be serviced periodically by the user software. The Watchdog Timer is serviced with the instruction SRVWDT, which is a protected 32-bit instruction. Servicing the Watchdog Timer clears the low byte and reloads the high byte of the Watchdog Timer Register WDT with the preset value in bit field WDTREL, which is the high byte of register WDTCON. Servicing the Watchdog Timer will also reset bit WDTR. After being serviced, the Watchdog Timer continues counting up from $\langle \text{WDTREL} \rangle * 2^8$. Instruction SRVWDT has been encoded in such a way that the chance of unintentionally servicing the Watchdog Timer is minimized. When instruction SRVWDT does not match the format for protected instructions, the Protection Fault trap will be entered (see section 7.3.2.5).

The time period for an overflow of the Watchdog Timer is programmable in two ways. First, there are two options for the input frequency to the Watchdog Timer. Either $f_{\text{OSC}}/4$ or $f_{\text{OSC}}/256$ can be selected by bit WDTIN in register WDTCON. Second, the reload value WDTREL for the high byte of WDT can be programmed in register WDTCON. The period p_{WDT} between servicing the Watchdog Timer and the next overflow can be determined as follows:

$$p_{\text{WDT}} = \frac{2^2 + \langle \text{WDTIN} \rangle * 6 * (2^{16} - \langle \text{WDTREL} \rangle * 2^8)}{f_{\text{OSC}}}$$

Table 8.5.1 shows the possible ranges for the watchdog time which can be achieved using a 40 MHz oscillator. Note that some numbers are rounded to 3 significant digits. For safety reasons, the user is advised to rewrite WDTREL each time before the Watchdog Timer is serviced.

Table 8.5.1
Watchdog Time Ranges

WDTREL	Prescaler for f_{OSC}	
	4 (WDTIN = 0)	256 (WDTIN = 1)
FFh	25.6 μs	1.6 ms
00h	6.55 ms	419 ms

9 External Bus Interface

The SAB 80C166 has been architected to be placed in a number of different applications and system designs. In order to meet the needs of designs where more memory is required than is provided on the chip, a number of external bus configuration modes are supported. These are listed below:

Single Chip Mode

No external bus is configured in this mode. Selecting this mode during reset implies that program execution starts from the internal ROM. No external memory can be accessed as long as the SAB 80C166 is in this mode. However, the single chip mode can be left to enter any of the following external bus configuration modes by simply reprogramming the System Configuration (SYSCON) register.

16/18-Bit Address, 8-Bit Data, Multiplexed Bus

This mode is provided for accesses to a byte-organized external memory. The eight least significant bits of the address and the data byte are time-multiplexed on the lower portion of the word-wide external bus. For this mode, Port 0 is used as interface to the multiplexed external address/data bus. As long as memory segmentation is not disabled, Port 4 is additionally used as an output for the two most significant bits of the required 18-bit addresses.

16/18-Bit Address, 16-Bit Data, Multiplexed Bus

This mode is provided for accesses to a word-organized external memory. The sixteen least significant address bits and the data word are time-multiplexed on the word-wide external bus. For this mode, Port 0 is used as interface to the multiplexed external address/data bus. As long as memory segmentation is not disabled, Port 4 is additionally used as an output for the two most significant bits of the required 18-bit addresses.

16/18-Bit Address, 16-Bit Data, Non-Multiplexed Bus

This mode is also provided for accesses to a word organized external memory. However, two separate buses are used for the sixteen least significant address bits and the data word. Thus, addresses and data do not have to be time-multiplexed. For this mode, Port 0 is used as an interface to the external data bus and Port 1 is used as an interface to the external address bus. As long as memory segmentation is not disabled, Port 4 is additionally used as an output for the two most significant bits of the required 18-bit addresses.

Basically, the SAB 80C166 supports an 18-bit address space. The 16-bit address mode refers to the case of segmentation being disabled.

Regardless of which external bus mode is selected, accesses to addresses from '0FA00h' through '0FFFFh' are performed internally. In case of initializing the SAB 83C166 to the single chip mode, internal ROM accesses become basically enabled, and thus accesses to addresses from '00000h' through '01FFFh' are performed internally, too. Otherwise, any access to addresses within the first 8 Kbytes would be performed externally. In any case, accesses to addresses from '02000h' through '0F9FFh', or in any segment other than zero, would be tried to be made externally. Note, however, that external memory locations higher than '0FFFFh' cannot be accessed if the non-segmented memory mode or the single chip mode is selected. For more details about the SAB 80C166's memory organization see chapter 4.0.

9.1 External Bus Configuration During Reset

Any of the initial external bus configuration modes is selected by means of two External Bus Configuration pins (EBC0 and EBC1). For that, the input values on these dedicated pins are sampled during reset and copied into the BTYP bit field of the SYSCON register as follows:

SYSCON.7 = EBC1
SYSCON.6 = EBC0

Table 9.1 shows the association between the initial EBC0 and EBC1 input pin values, the corresponding external bus configuration modes and the ports used as interface to the external address and/or data bus(es):

Table 9.1
Initial External Bus Configuration During Reset

EBC1	EBC0	External Bus Configuration	Ports used for		
			A17, A16	A15...A0	D15...D0
0	0	Single Chip Mode No External Bus (Internal ROM enabled)	-	-	-
0	1	18-Bit Address/8-Bit Data Time-Multiplexed (Internal ROM disabled)	P4	P0	P0 (low)
1	0	18-Bit Address/16-Bit Data Time-Multiplexed (Internal ROM disabled)	P4	P0	P0
1	1	18-Bit Address/16-Bit Data Non-Multiplexed (Internal ROM disabled)	P4	P1	P0

As just mentioned, the BTYP field in the SYSCON register is initialized during reset. After reset, the values on the EBC pins stay non-significant until the next system reset occurs. In the meantime, the SAB 80C166's external bus configuration is determined only by the contents of the BTYP bit field. If the controller has been initialized to the single chip mode once, an external bus can be reconfigured later because the BTYP bit field stays modifiable for the software. Any other initial external bus configuration can not be changed via software because the BTYP bit field has a read-only access state in those cases.

When the single chip mode is selected during reset, the ROM Enable Bit (ROMEN) in the SYSCON register is set to '1', signifying that internal ROM accesses are globally enabled. In any other initial external bus configuration, the ROMEN bit is cleared, and therefore internal ROM accesses stay globally disabled. The ROMEN bit is modifiable only via hardware during reset. For software, it is always only readable.

If the SAB 80C166 is initialized to an external bus configuration mode other than the single chip mode, Port 4 pins are used as an output for the most significant address pins (A17 and A16). This alternate function of Port 4 stays enabled until the SGTDIS bit in the SYSCON register is set to '1'. If one of the two 16-bit Data Bus modes is selected during reset, the function of the Byte High Enable pin (BHE#) becomes also enabled and stays enabled until the BYTDIS bit in the SYSCON register is set to '1'. This ensures that the External Bus Controller can properly access the initialization code in any case. Many of the external bus transfer characteristics are controlled via the SYSCON register, too. Software programming of the SYSCON register allows the user to vary particular timing parameters in a wide range. During reset, all of the external bus timing parameters are initialized in a way that even very slow external memories can be accessed properly. For more details on the programmable external bus timing parameters see section 9.6.

9.2 Single Chip Mode

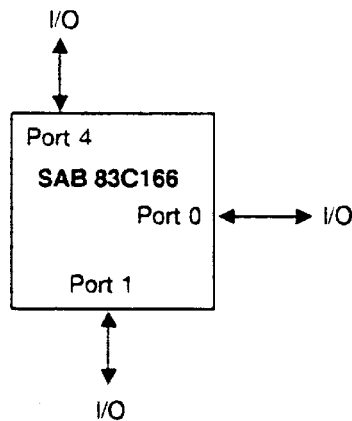
The single chip mode must be selected whenever program execution shall start from the on-chip program memory (ROM). If this mode has been selected once during reset, internal ROM accesses stay globally enabled. During reset, the Instruction Pointer (IP) and the Code Segment Pointer (CSP) registers are both cleared, and thus program execution begins at the internal ROM location 00000h.

As shown in figure 9.1, Port 0, Port 1 and Port 4 (A17 and A16) can be used as general purpose I/O registers.

Note that any intended access to a location within the external memory space will cause a hardware trap to occur if the controller is in the single chip mode.

For applications where the on-chip program memory is not sufficient, the single chip mode can be left by simply modifying the BTYP bit field in the SYSCON register (see section 5.3.1.1). In this case, an external memory can be accessed and the entire on-chip memory stays accessible.

Figure 9.1
Single Chip Mode



9.3 16/18-Bit Address, 8-Bit Data, Multiplexed Bus

This external bus mode must be selected if a byte-wide external memory shall be connected to the SAB 80C166.

As shown in figure 9.2, the lower address byte and the data byte are time-multiplexed on the lower portion of the word-wide external bus. Therefore, an external byte-wide address latch is required for the eight least significant address bits. An Address Latch Enable (ALE) signal is generated by the on-chip External Bus Controller (EBC) to signify a valid address being available on Port 0. As long as memory segmentation is not disabled, Port 4 is additionally used as an output for the two most significant bits of the required 18-bit addresses. Port 1 can be used for general purpose I/O functions.

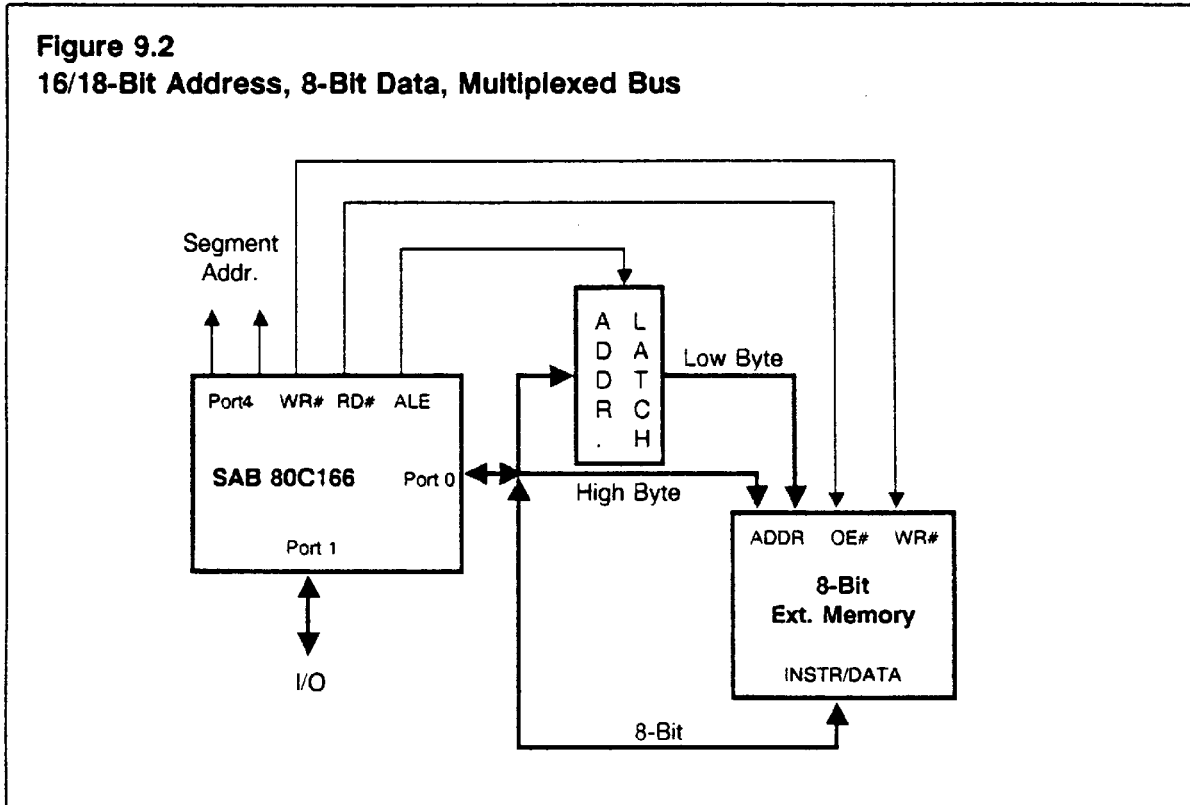
Whenever a word is to be accessed externally in this mode, the EBC generates two consecutive addresses and adjusts incoming bytes into words, or outgoing words into bytes. The low byte of a word is accessed first, then the high byte access is performed.

The process of transferring two bytes sequentially over the external bus for any word access, causes the operation of the processor to slow down. In fact, this mode is not as fast as the other external memory access modes. However, there is a cost advantage since inexpensive byte-wide memories can be used.

If this mode has been selected once during reset, internal ROM accesses stay globally disabled, and no other external bus configuration can be selected later.

A detailed application example for this external bus configuration mode is shown in appendix 'C'.

Figure 9.2
16/18-Bit Address, 8-Bit Data, Multiplexed Bus

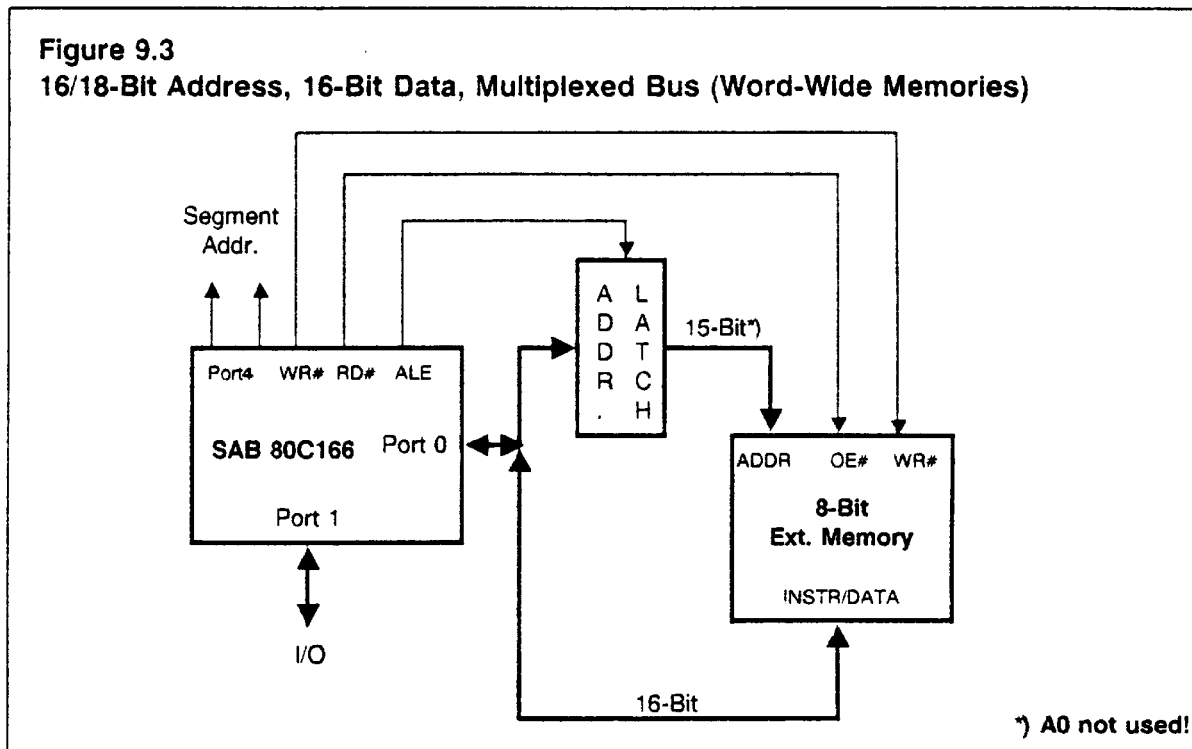


9.4 16/18-Bit Address, 16-Bit Data, Multiplexed Bus

This external bus mode can be selected if a word-wide external memory shall be connected to the SAB 80C166.

As shown in figure 9.3, Port 0 is used as a word-wide output for both the address and data which are time-multiplexed on the word-wide external bus. Therefore, an external word-wide address latch is required. The least significant address bit A0 is normally not significant when accessing word-organized memories. An Address Latch Enable (ALE) signal is generated by the on-chip External Bus Controller (EBC) to signify a valid address being available on Port 0. As long as memory segmentation is not disabled, Port 4 is additionally used as an output for the two most significant bits of the required 18-bit addresses. Port 1 can be used for general purpose I/O functions. Compared with the other external bus configuration modes, the 16/18-bit Address, 16-bit Data, Multiplexed Bus mode provides a middle level of performance. It is faster than the 8-bit data bus mode because a memory doesn't have to be accessed twice in order to fetch a word-wide value. This advantage, however, is not totally utilized since addresses and data are time-multiplexed on the external bus. This time-multiplexing reduces the overall possible bandwidth of the bus.

If the 16/18-bit Address, 16-bit Data, Multiplexed Bus mode has been selected once during reset, internal ROM accesses stay globally disabled, and no other external bus configuration can be selected later.



This external bus configuration mode can also be selected if the word-organized external memory is implemented by two separate 8-bit-wide memories. These two memories can be accessed both wordwise, coupled together as one word-wide memory, and individually as two independent byte memories.

For the case where the two byte-wide memories are to be accessed only wordwise, the addressing scheme is the same as if only one 16-bit wide memory was used. For the case where the two memories are also to be accessed as independently suitable byte-wide memories, the External Bus Controller (EBC) must be enabled to use the function of the Byte High Enable pin as described in the following.

Firstly, the Byte Disable bit (BYTDIS) in the SYSCON register must contain a '0' (this is the default after system reset), and secondly a 16-bit Data Bus mode must have been configured. If these presuppositions are fulfilled, the Byte High Enable (BHE#) function which is an alternate active low output function of Port 3 Pin 12 (P3.12) becomes enabled, and will be implicitly used by the External Bus Controller (EBC) whenever an external memory access is performed.

Table 9.2 shows which BHE# output is generated by the EBC dependent on the least significant address bit (A0) and the type of access desired for the two coupled external byte memories.

External Bus Interface

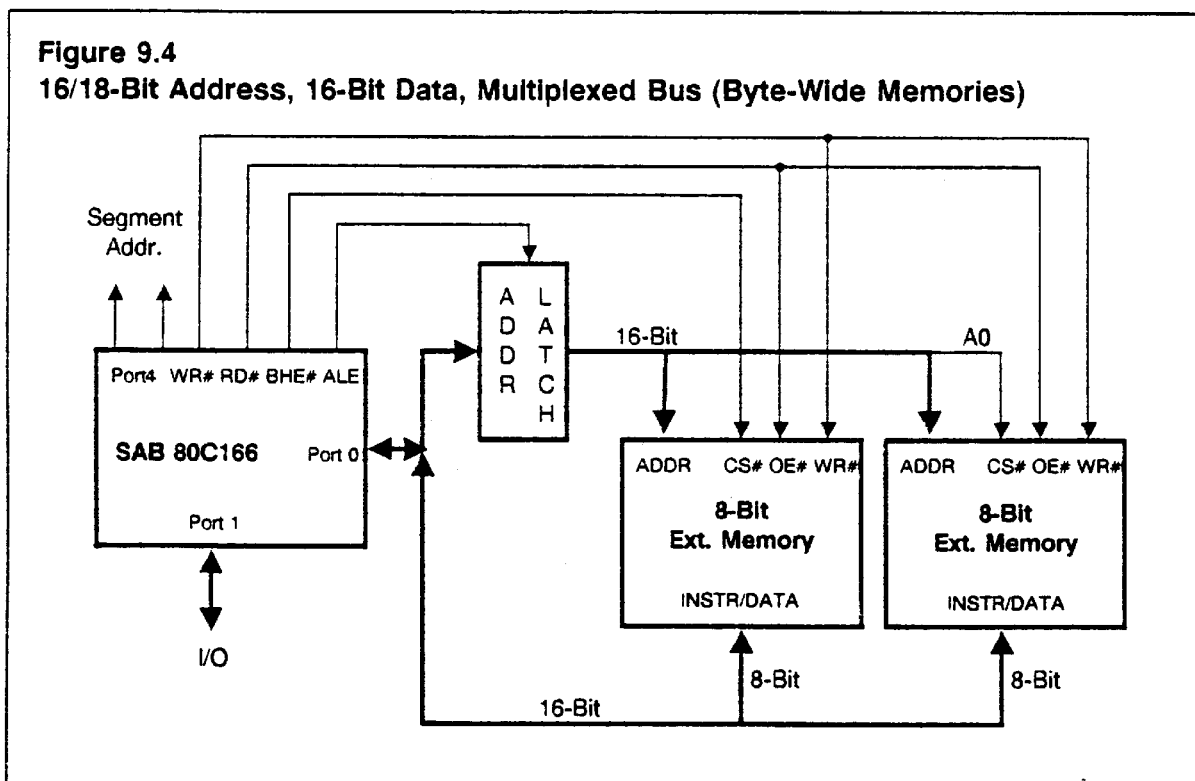
Note that the EBC places any byte value to be written to the external memory on both the upper byte portion and the lower byte portion of the 16-bit external data bus. However, the byte will only be stored in that byte memory which is specified by A0 and BHE#.

Table 9.2
Word or Byte Access to Two Coupled Byte-Wide Memories

BHE#	A0	Type of Access
0	0	Both byte memories are accessed together for word transfers
0	1	Only the high byte memory is accessed for byte transfers
1	0	Only the low byte memory is accessed for byte transfers
1	1	Not used

To be correctly used as just described, the BHE# output pin must be connected to the chip select input (CS#) of the memory at the high byte location, and the A0 address output pin must be connected to the chip select input of the memory at the low byte location, as shown in figure 9.4.

Detailed application examples for the just mentioned external bus and memory configurations are shown in appendix 'C'.



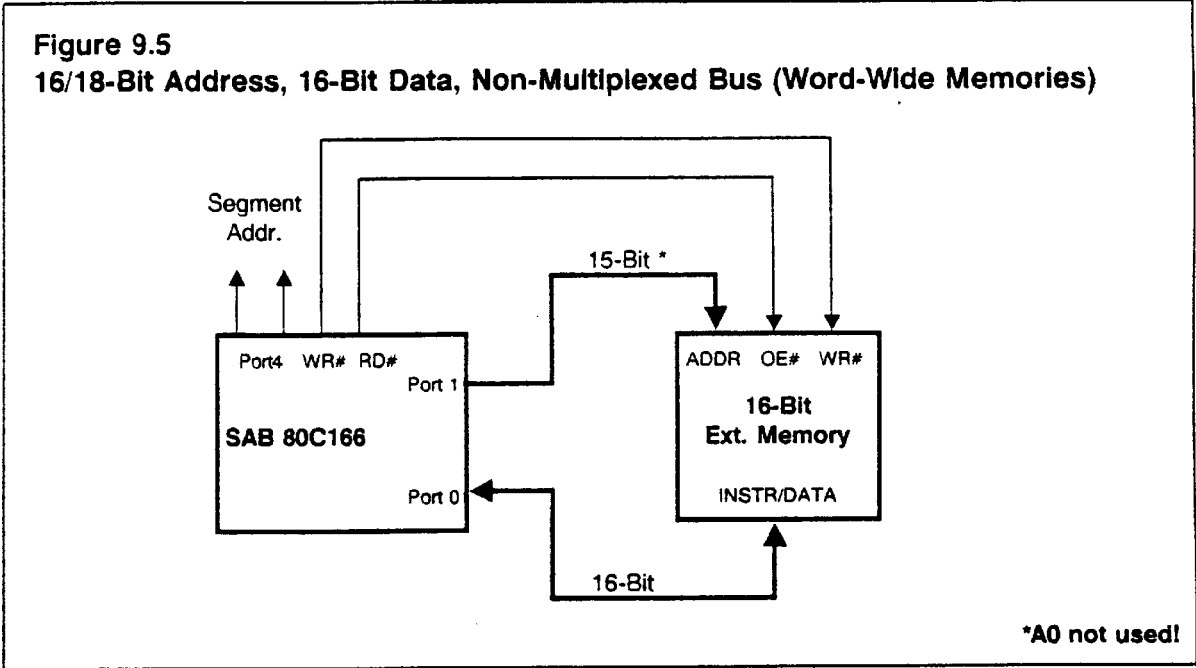
9.5 16/18-Bit Address, 16-Bit Data, Non-Multiplexed Bus

This external bus mode can be selected if the SAB 80C166 is to be used in collaboration with a word-wide external memory.

As shown in figure 9.5, Port 1 is used as a word-wide address output and Port 0 is used as separated word-wide data output. The least significant address bit A0 is normally not used when accessing word-organized memories. Since two independent buses are used, no time-multiplexing and no additional address latch is required in this case. As long as memory segmentation is not disabled, Port 4 is additionally used as an output for the two most significant bits of the required 18-bit addresses.

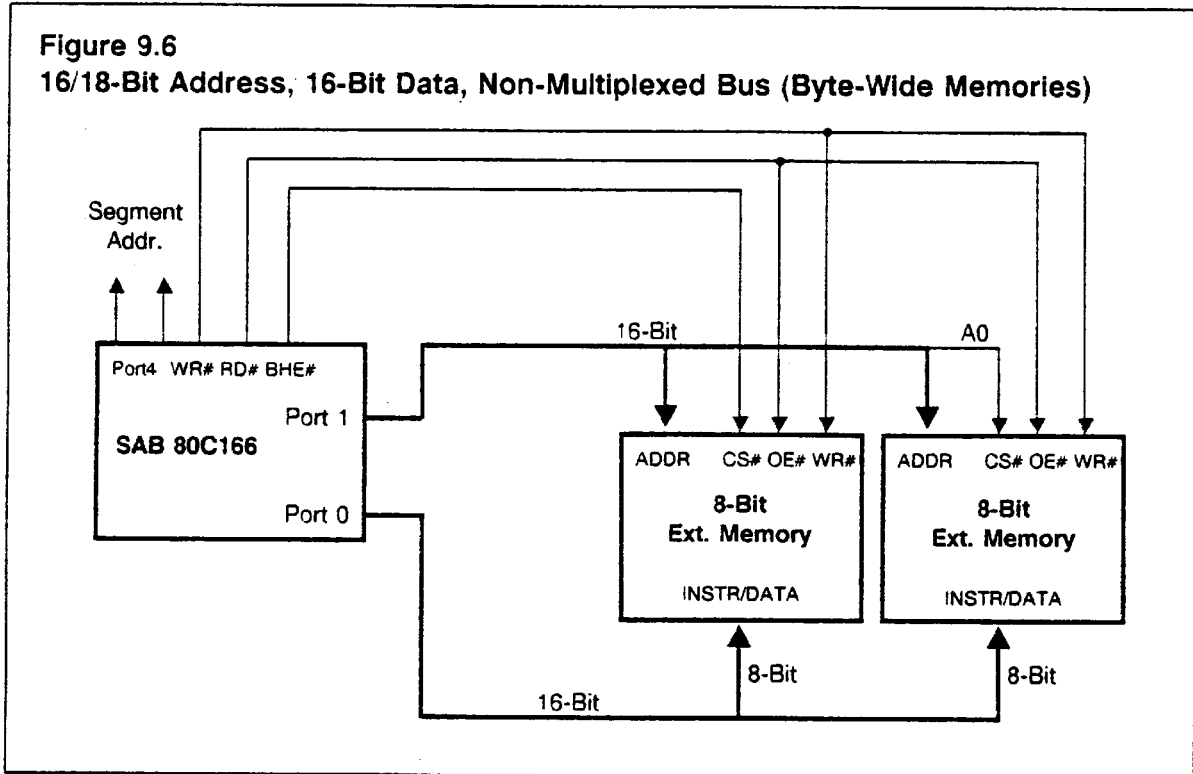
Compared with the other external bus configuration modes, the 16/18-bit Address, 16-bit Data, Non-Multiplexed Bus mode provides the highest level of performance. It is faster than other modes because it doesn't have to access the memory twice in order to fetch a word-wide value, and it also saves the additional time delay caused by address and data multiplexing.

If the 16/18-bit Address, 16-bit Data, Non-Multiplexed Bus mode has been selected once during reset, internal ROM accesses are globally disabled, and no other external bus configuration can be selected later.



As shown in figure 9.6, this external bus configuration mode can also be selected if the word-organized external memory is implemented by two separate 8-bit wide memory devices. These two memories can be accessed both wordwise, coupled together as one word-wide memory, and individually as two independent byte memories.

For the case where the two memories are accessed coupled together as one word-wide memory, the addressing scheme is the same as if only one 16-bit wide memory was used. For the case where the memories are also accessed as independently suitable byte-wide memories, the External Bus Controller EBC must be enabled to use the function of the Byte High Enable pin (BHE#) as described in the previous section 9.4.



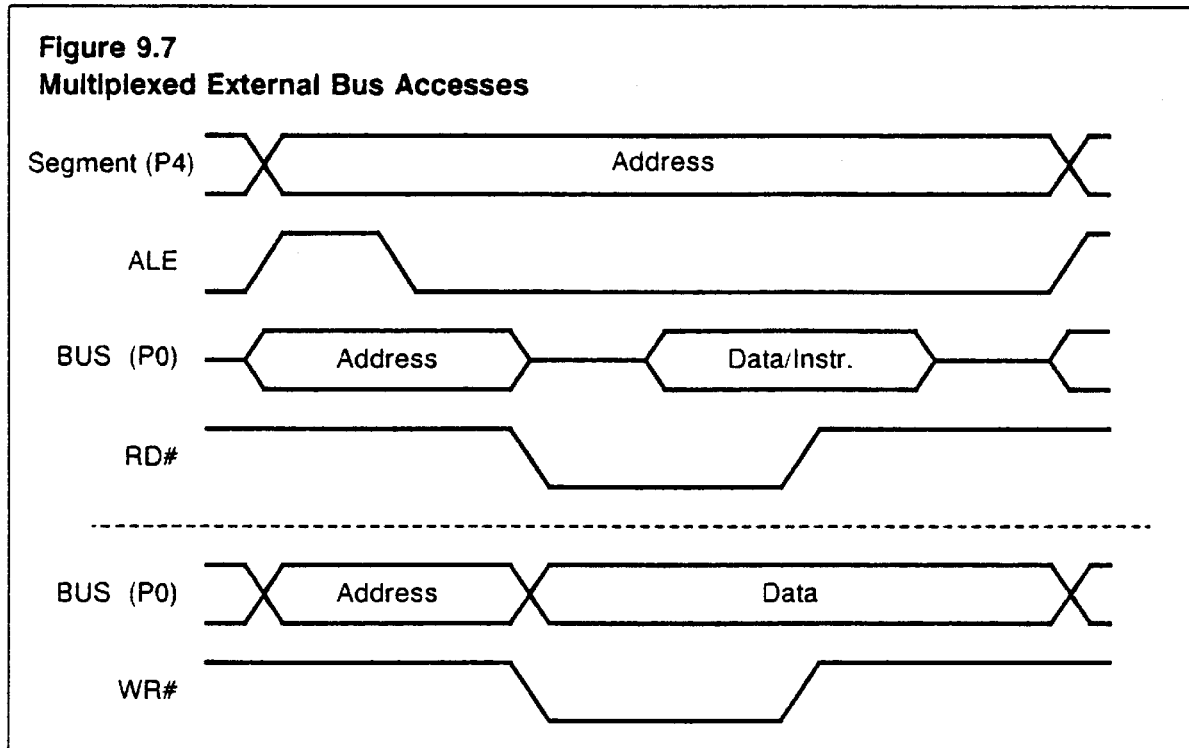
Detailed application examples for the just mentioned external bus and memory configuration are shown in appendix 'C'.

9.6 External Bus Transfer Characteristics

With regard to timing characteristics, there are basically two types of external buses which can be configured. These are multiplexed and non-multiplexed buses. Transfer characteristics for these two types are described in detail in the following.

9.6.1 Multiplexed Bus Transfer Characteristics

In both Multiplexed Bus modes, the resource 'External Bus' is time-shared between addresses and data. Figure 9.7 shows the timing sequence of a memory read and memory write access via a multiplexed bus.



A memory access is initiated by the controller by placing an address on the bus and then generating the Address Latch Enable signal (ALE). This signal triggers an external latch to capture the address. After a period of time during which the address must have been latched externally, the address is removed from the bus. Note that in the 16/18-bit Address, 8-bit Data, Multiplexed bus mode, only the lower eight bits of Port 0 are multiplexed on the external bus between address output and data input/output, while the upper eight bits of Port 0 continue to output address bits A15 to A8 throughout the entire memory access cycle. Note also that Port 4 is never time-multiplexed and continues to output the two most significant (segment) address bits A17 and A16.

9.6.1.1 Multiplexed Bus Memory Reads

At the same time when the address is removed from the bus which is then tri-stated again, the active low memory read signal (RD#) is applied to the memory. This enables the memory to drive data onto the bus. After a period of time which is determined by the access time of the memory, data become valid on the bus.

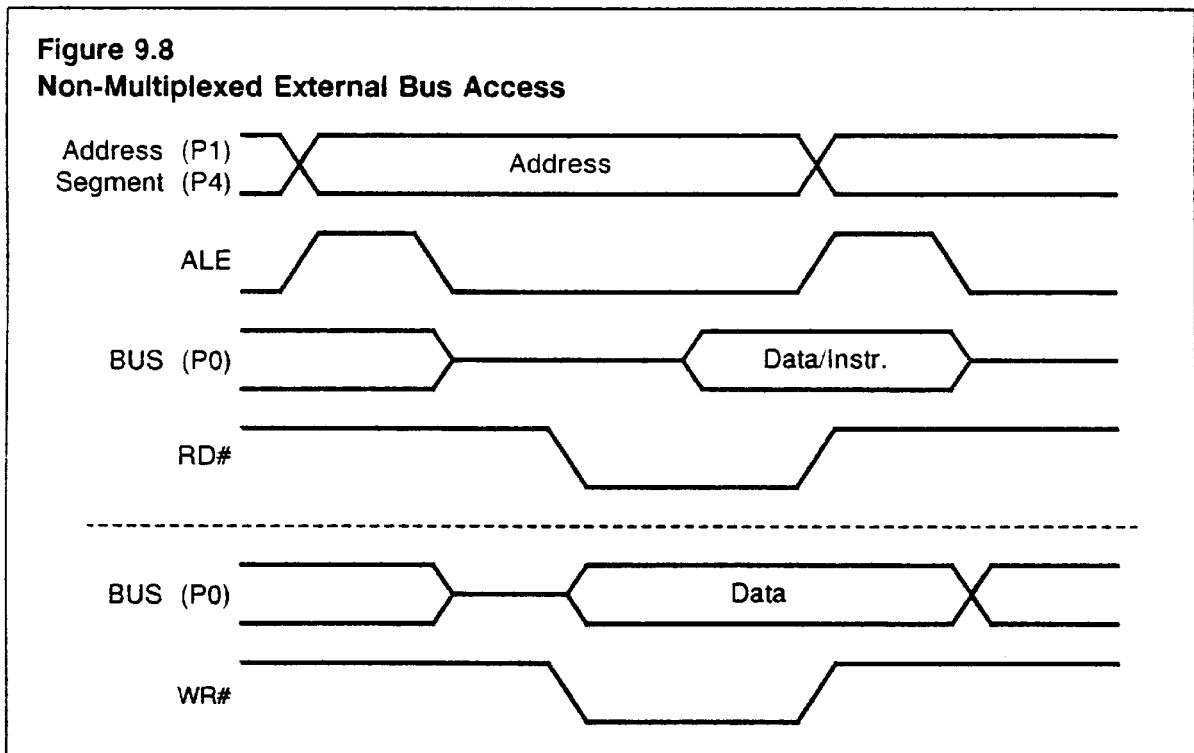
Then, the controller latches the valid data from the bus and removes its memory read signal. This causes the memory to remove its data from the bus which is then tri-stated again.

9.6.1.2 Multiplexed Bus Memory Writes

After the address has been stored externally and removed from the bus again, data are driven onto the bus and the active low memory write signal (WR#) is applied to the memory. This enables the memory to store the data from the bus onto the addressed location. After a period of time which is determined by the access time of the memory, the data become valid in the addressed memory location. Then, the controller removes its memory write signal. The data remain valid on the bus until the next memory access cycle is started.

9.6.2 Non-Multiplexed Bus Transfer Characteristics

In the Non-Multiplexed Bus mode, there are separate buses for both the address and the data. Figure 9.8 shows the timing sequence of a memory read and memory write access via a non-multiplexed bus.



9.6.2.1 Non-Multiplexed Bus Memory Reads

A memory read access is initiated by the controller by placing an address on the address bus. This address stays valid on the bus until the next memory access cycle is started. After a fixed period of time, the active low memory read signal (RD#) is applied to the memory. This enables the memory to drive data onto the data bus. After a period of time which is determined by the access time of the memory, data become valid on the data bus. Then, the controller latches the valid data from the data bus and removes its memory read signal. This causes the memory to remove its data from the data bus which is then tri-stated again. Simultaneously with the removal of the RD# signal, the controller puts the address for the next memory access on the address bus if a subsequent external memory access is required.

9.6.2.2 Non-Multiplexed Bus Memory Writes

A memory write access is initiated by the controller by placing an address on the address bus. This address stays valid on the bus until the next memory access cycle is started. After a fixed period of time, the controller drives its data onto the data bus and applies the active low memory write signal (WR#) to the memory. This enables the memory to store the data from the data bus onto the addressed location. After a period of time which is determined by the access time of the memory, the data become valid in the addressed memory location. Then, the controller removes its memory write signal and puts the address for the next memory access on the address bus if a subsequent external memory access is required. The data remain valid on the data bus until the next memory access cycle is started.

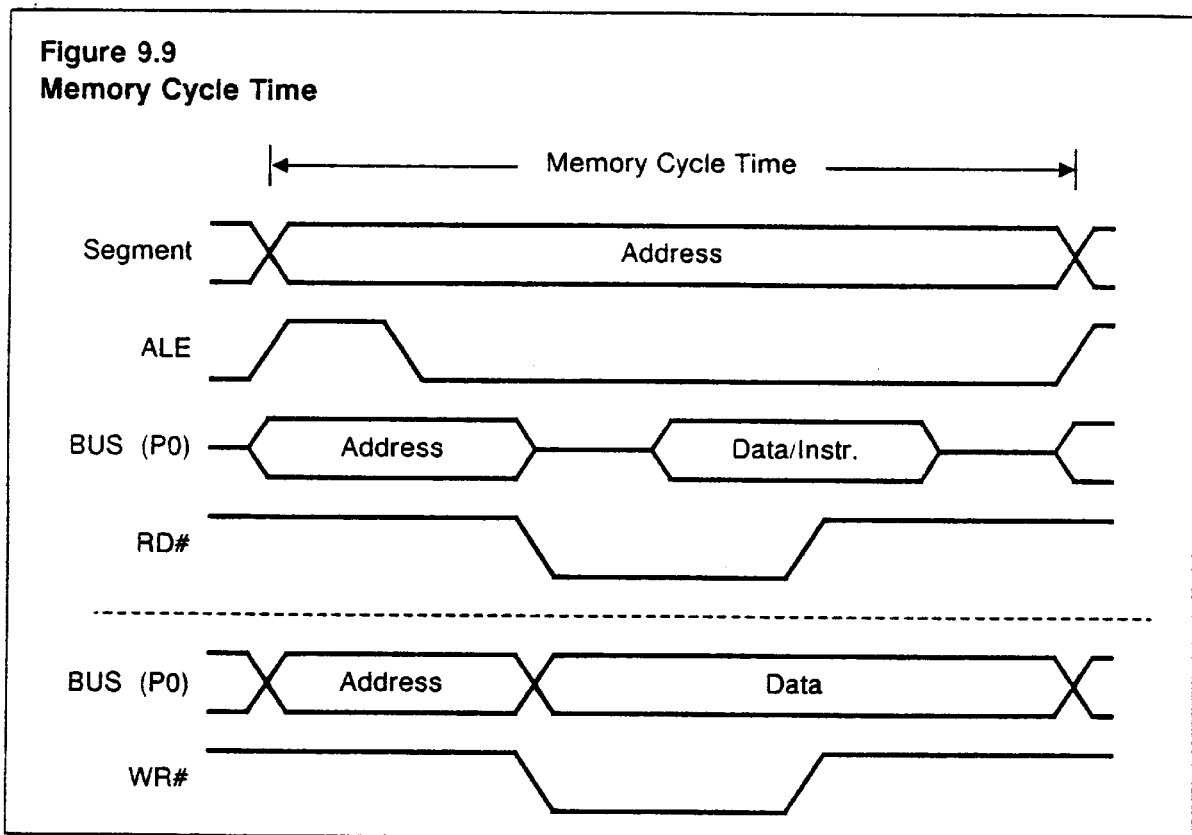
9.7 User Selectable Bus Characteristics

Important timing characteristics of the external bus interface, including the Memory Cycle Time, the Memory Tri-State Time and the Read/Write Delay Time have been made user programmable to allow adapting a wide range of different external bus and memory configurations with different types of memories. Note that internal memory access time are not extended by external waitstates.

Examples, tables and formulas showing the calculation of the user-selectable bus characteristics can be found in the appendix, section 'C.2'.

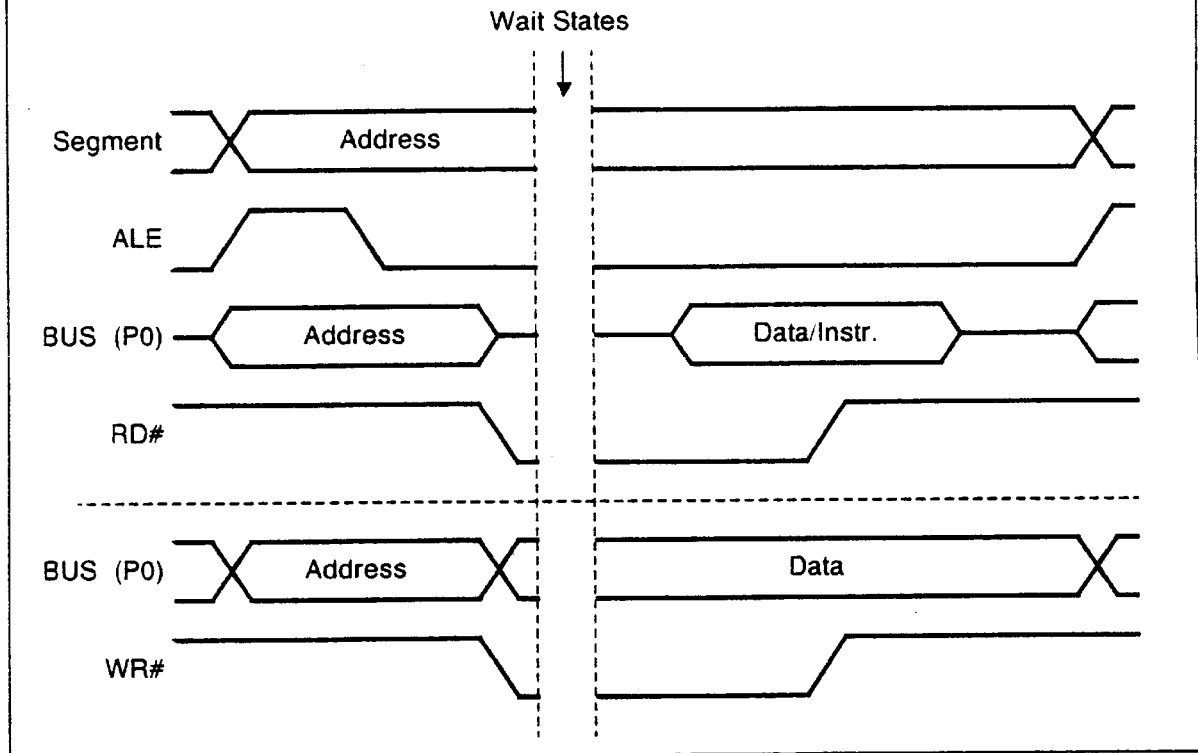
9.7.1 Programmable Memory Cycle Time

The SAB 80C166 allows the user to adjust the controller's Memory Access Cycle Time to the Memory Cycle Time of the external memory being used. The Memory Cycle Time is the total time required to perform a memory access. It represents the period of time from the moment when the controller puts an address on the bus for the first time until the next external memory access can be started at the earliest. As shown in figure 9.9, the Memory Cycle Time determines how fast the memory can be accessed in general.



If an external memory is too slow, the controller must slow down in order to allow the memory to keep pace. The SAB 80C166 can be slowed down for external memory accesses by introducing wait states during the access. During these Memory Cycle Time wait states, the CPU is idle. Figure 9.10 shows when Memory Cycle Time wait states are introduced during the memory access.

Figure 9.10
Memory Cycle Time Wait States



The SAB 80C166 allows the user to program Memory Cycle Time wait states in increments of half a machine cycle within a range from 0 to 15 (default after reset). The Memory Cycle Time wait states can be configured via software by modifying the MCTC field of the SYSCON register, as shown in table 9.3. One Memory Cycle Time Wait State requires half a machine cycle (50 ns at $f_{OSC} = 40$ MHz).

Table 9.3
MCTC Encoding of the Memory Cycle Time Wait States

MCTC				Number of Wait States	Additional Delay (at $f_{osc} = 40 \text{ MHz}$) [ns]
Bit 3	Bit 2	Bit 1	Bit 0		
0	0	0	0	15	750
0	0	0	1	14	700
0	0	1	0	13	650
0	0	1	1	12	600
0	1	0	0	11	550
0	1	0	1	10	500
0	1	1	0	9	450
0	1	1	1	8	400
1	0	0	0	7	350
1	0	0	1	6	300
1	0	1	0	5	250
1	0	1	1	4	200
1	1	0	0	3	150
1	1	0	1	2	100
1	1	1	0	1	50
1	1	1	1	0	0

By means of the Memory Cycle Time Wait States, the Memory Cycle Time can be varied as follows:

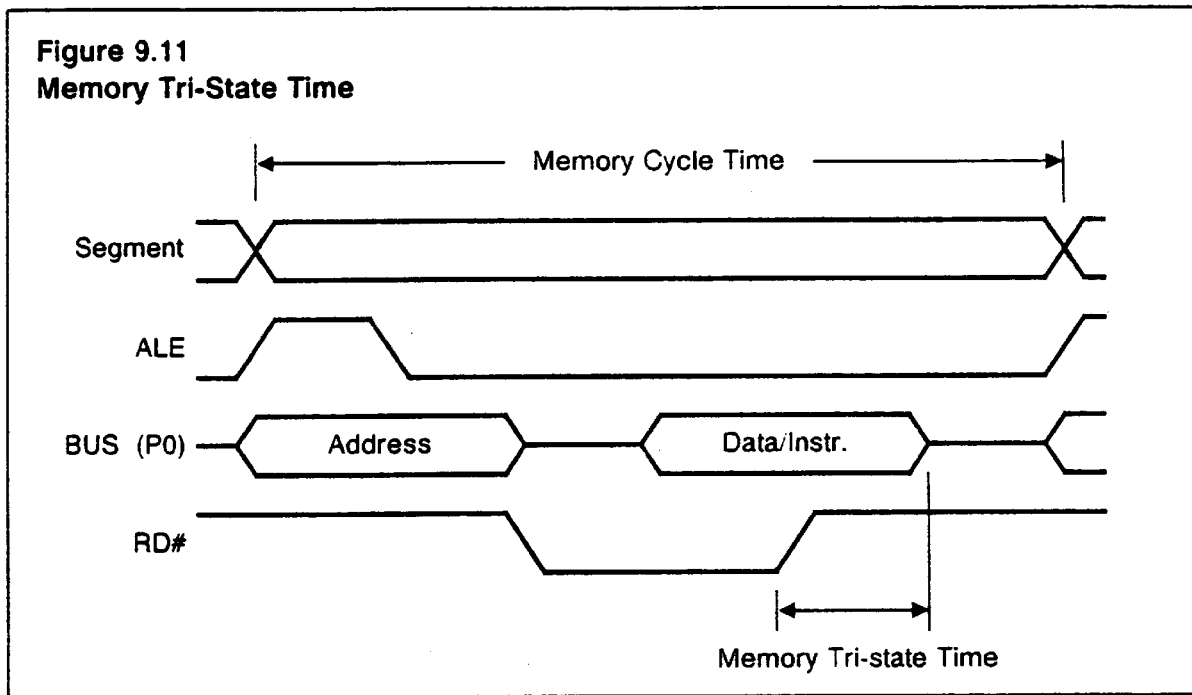
Multiplexed Bus Modes: 150 ns – 900 ns (at $f_{osc} = 40 \text{ MHz}$)

Non-Multiplexed Bus Mode: 100 ns – 850 ns (at $f_{osc} = 40 \text{ MHz}$)

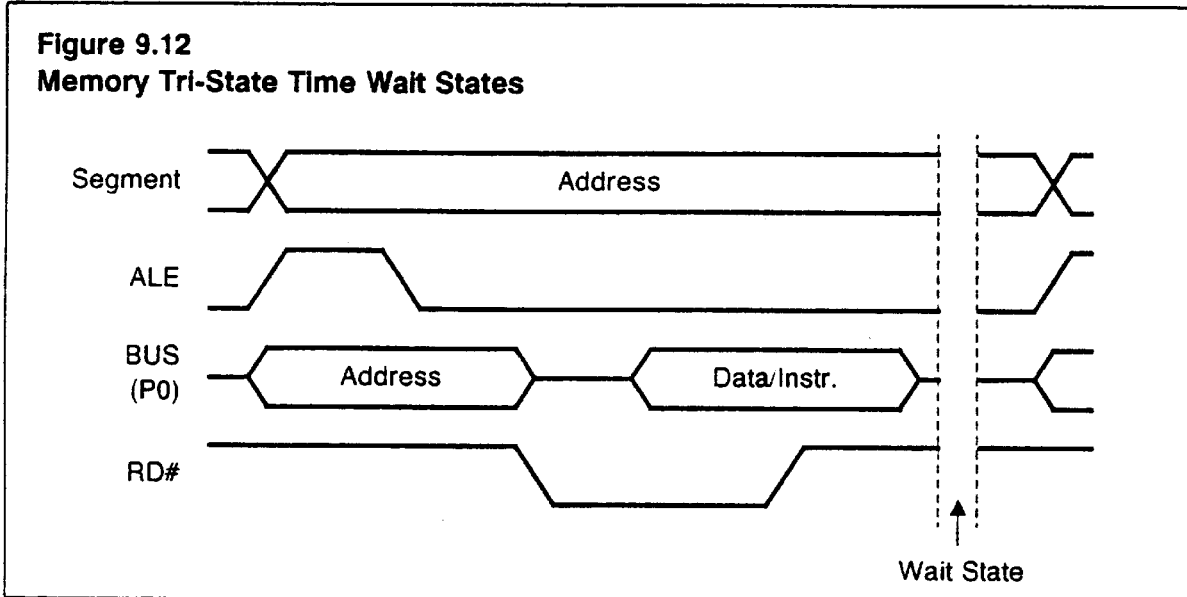
These programmable Memory Cycle Time wait states can be specified for all of the external bus configuration modes.

9.7.2 Programmable Memory Tri-State Time

The SAB 80C166 allows the user to adjust the time between two subsequent memory accesses to account for the Tri-State Time of the external memory being used. The Tri-State time is the time required by the memory to release the bus once the memory read (RD#) signal has been deasserted. As shown in figure 9.11, the Memory Tri-State Time determines how quickly one memory access can follow another.



If an external memory is too slow in releasing the bus after a memory read access, the controller must wait for putting the next address on the bus until the bus is tri-stated again. Therefore, an additional Memory Tri-State Time wait state must be introduced before the next memory access. The CPU is not idle during a Memory Tri-State Time wait state. Thus, CPU operations will only be slowed down if a subsequent external instruction or data fetch operation is required during the next instruction cycle. Figure 9.12 shows when a Memory Tri-State Time wait state is introduced during the external memory accesses.



The SAB 80C166 allows the user to program 0 or 1 (default after reset) Memory Tri-State Time wait state by means of the MTTC bit in the SYSCON register as shown in table 9.4. One Memory Tri-State Time Wait State requires half a machine cycle (50 ns at $f_{osc} = 40$ MHz).

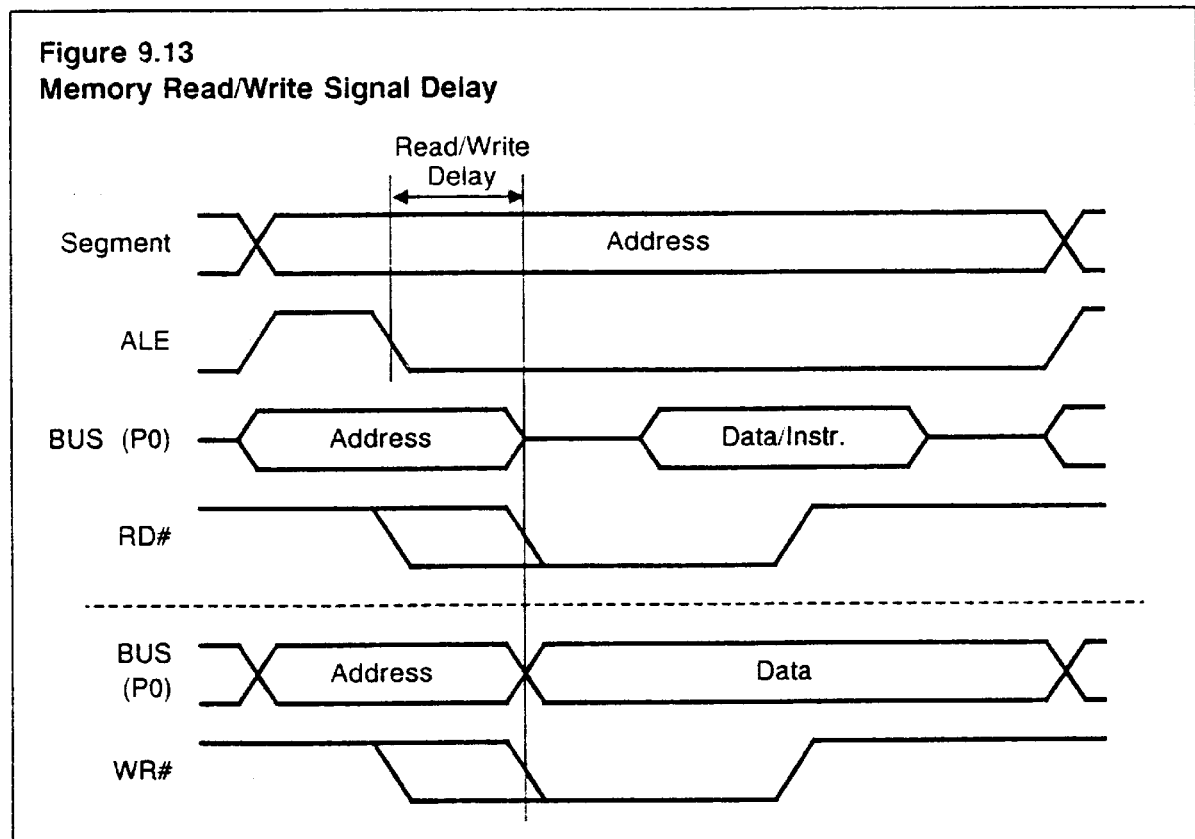
Table 9.4
MCTC Encoding of the Memory Tri-State Time Wait State

MTTC	Wait States
0	Introduce One Wait State
1	Introduce No Wait States

These programmable Memory Tri-State Time wait states can be specified for all of the external bus configuration modes. Note, however, that one implicit Memory Tri-State wait state is automatically added for both multiplexed external bus configuration modes.

9.7.3 Read/Write Signal Delay

The SAB 80C166 allows the user to adjust the timing of the data read and write output signals to account for timing requirements of external peripherals. As shown in figure 9.13, the Read/Write Delay represents the period of time between the falling edge of the Address Latch Enable (ALE) signal and the falling edge of the read (RD#) or write (WR#) signal. If no additional Read/Write Delay is programmed, the falling edges of the ALE, WR# and RD# signals are coincident. With the delay programmed, the falling edge of the ALE signal leads the falling edges of the RD# or WR# signal by a quarter of a machine cycle. An additional Read/Write Delay does not extend the Memory Cycle Time, and thus it does not slow down the controller in general.



The SAB 80C166 allows the user to disable or enable (default after reset) Memory Read/Write Signal Delays by means of the RWDC bit in the SYSCON register as shown in table 9.5. One Read/Write Signal Delay requires a quarter of a machine cycle (25 ns at $f_{osc} = 40$ MHz).

Table 9.5
RWDC Encoding of the Read/Write Signal Delay

RWDC	ALE-RD/WR Delays
0	Enabled
1	Disabled

These programmable Read/Write Signal Delays can be specified for all of the external bus configuration modes.

9.8 External Memory Access via the Data Ready Signal

An optional Data-Ready function can be used to allow an external device to determine the duration of an external memory access. If the Data-Ready function is enabled, the duration of all external accesses is not determined by the contents of the MCTC bit field in the SYSCON register as described in section 9.7.1, but by the state of the READY# input pin. Note that the READY# input pin must be correctly activated for every external memory access if the Data-Ready function has been enabled. Otherwise, the CPU would be halted until a reset occurs. No time-out protection other than a Watchdog Timer overflow is provided.

The Data-Ready function can be enabled by setting the RDYEN bit in the SYSCON register to '1' (see section 5.3.1.4).

10 Parallel Ports

The SAB 80C166 provides 76 parallel I/O lines organized into four 16-bit I/O ports (Port 0 through 3), one 2-bit I/O port (Port 4), and one 10-bit input port (Port 5). All port lines are bit addressable, and all lines of Port 0 through 4 are individually bit-wise programmable as inputs or outputs via direction registers.

Each port line has one programmable alternate input or output function associated with it. Port 0 and Port 1 may be used as the address and data lines when accessing external memory. Port 4 outputs the additional segment address bits A16 and A17 when segmentation is enabled. The pins of Port 2 serve as capture inputs or compare outputs for the CAPCOM unit. Port 3 includes alternate input/output functions of CAPCOM timer T0, the general purpose timer blocks GPT1/2, and the serial channels ASC0/1. In addition, Port 3 provides the bus interface control signals WR#, BHE#, READY#, and the system clock CLKOUT. Port 5 is used for the analog input channels to the A/D converter.

All ports have Schmitt-Trigger input characteristics, except when used as external data bus and as analog inputs to the A/D converter.

The following subsections first give a general description of Ports 0 through 4, then each of these ports is described in detail. Port 5 will be discussed separately in section 10.2.

10.1 Ports 0 through 4

Each of the Ports 0 through 4 has its own port data register (P0 through P4) and direction register (DP0 through DP4). Figure 10.1 shows the 16-bit data registers P0 through P3 for Ports 0 through 3, and figure 10.2 shows the corresponding Port Direction control registers DP0 through DP3.

Figure 10.3 shows the 8-bit data register P4 for Port 4. Port 4 is actually a 2-bit port, but the data and direction registers of Port 4 are realized as byte-wide registers. Bits 2 through 7 are reserved bits, while bits 8 through 15 are unimplemented. Writing to the unimplemented bits has no effect, while reading always returns zero.

In the following, the symbol P_x (x=0 through 4) for a port data register is also used to refer to the whole Port x.

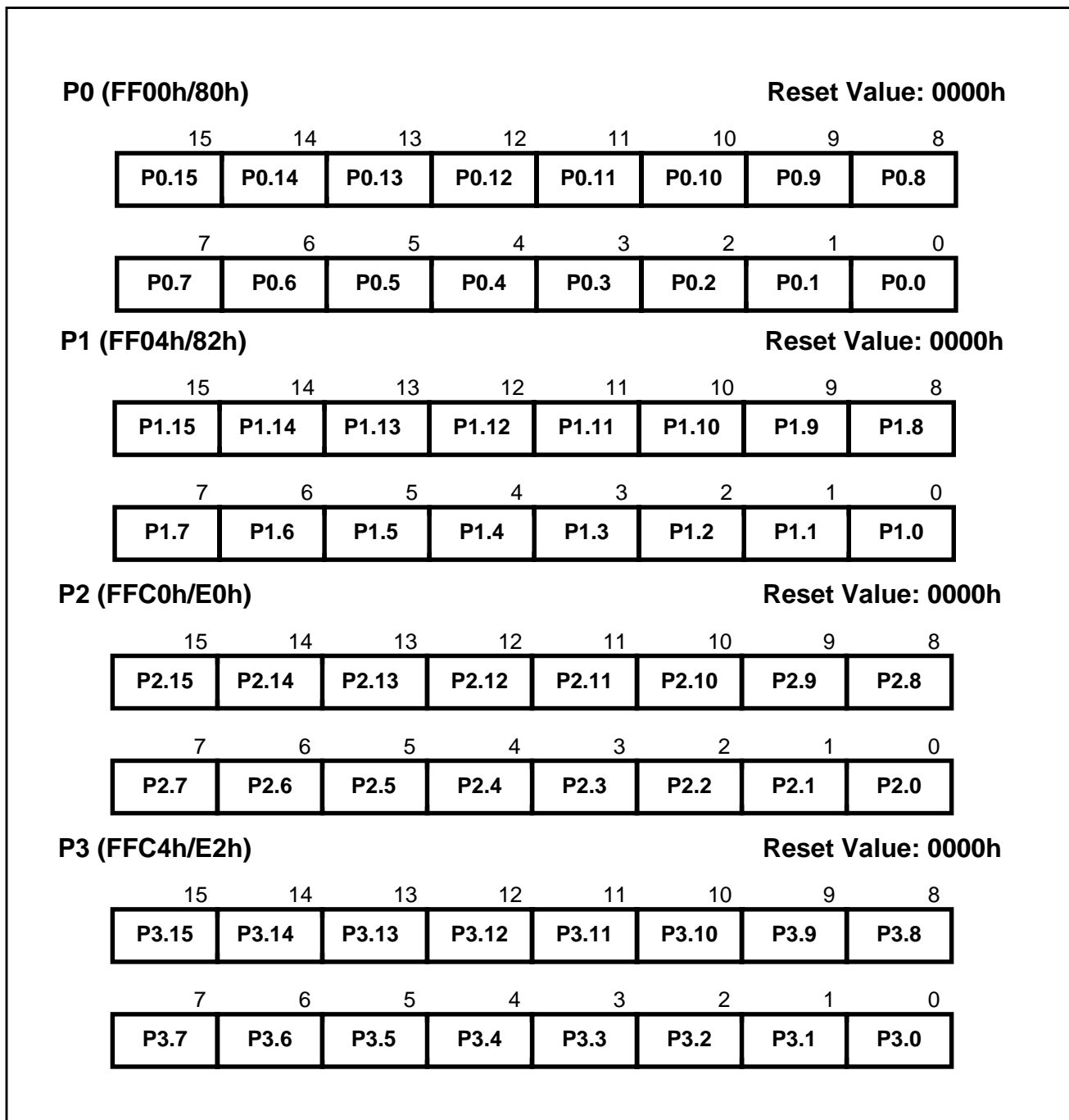


Figure 10.1
Ports 0 through 3 Data Registers P0, P1, P2, P3

Symbol	Position	Function
Px.y	Px.y	Port Px Data Register (x=0 through 3, y=0 through 15)

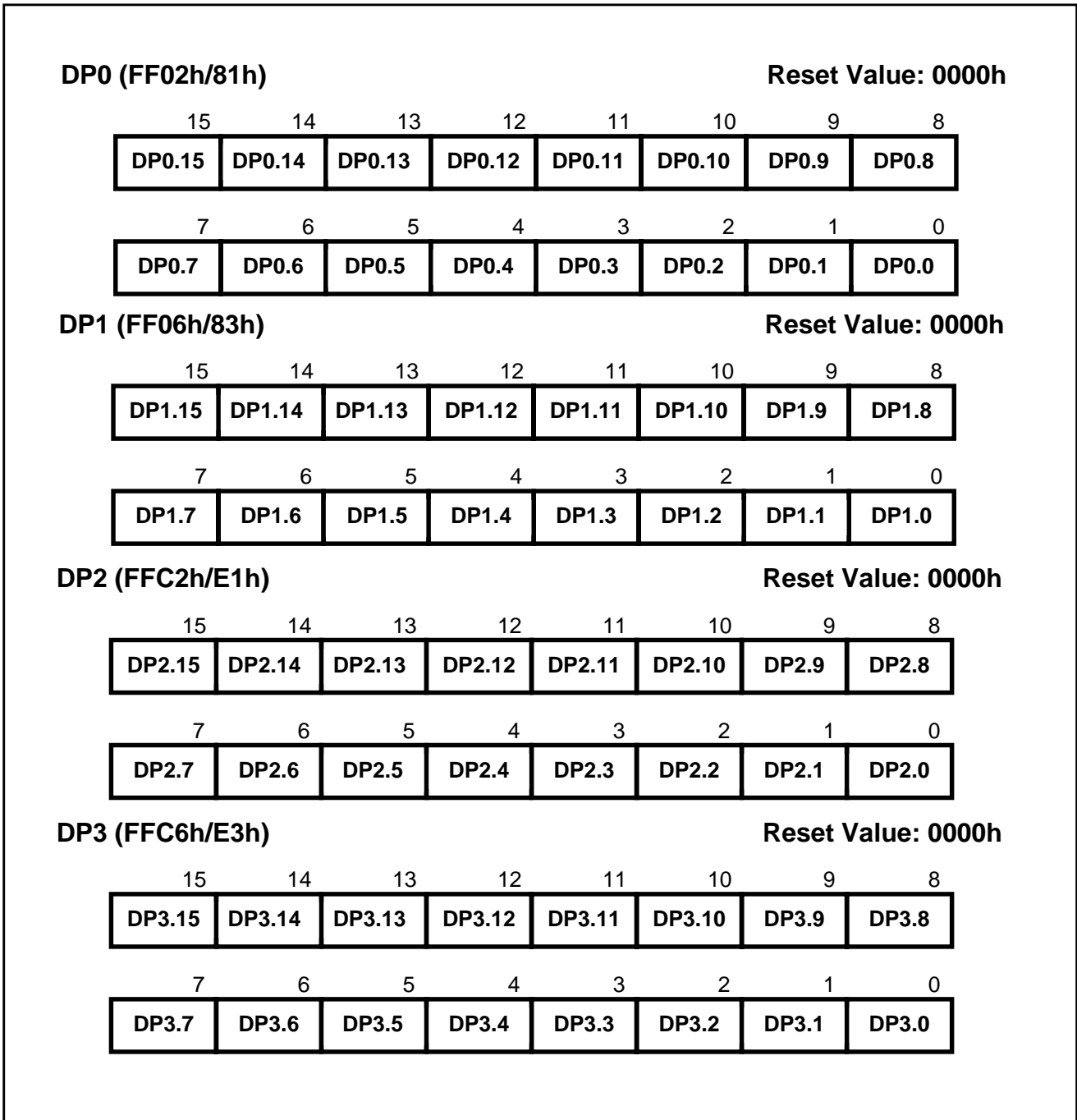


Figure 10.2
Ports 0 through 3 Direction Control Registers DP0, DP1, DP2, DP3

Symbol	Position	Function
DPx.y	DPx.y	Port Px Direction Control (x=0 through 3, y=0 through 15) DPx.y = 0: Port Line Px.y is Input (high-impedance) DPx.y = 1: Port Line Px.y is Output

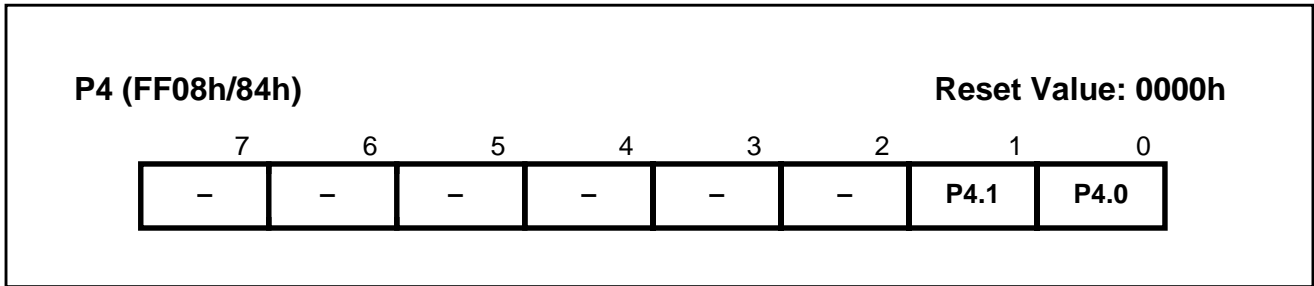


Figure 10.3
Port 4 Data Register P4

Symbol	Position	Function
P4.y	P4.y	Port P4 Data Register (y=0 through 1)
-	P4 [7 ... 2]	(reserved)

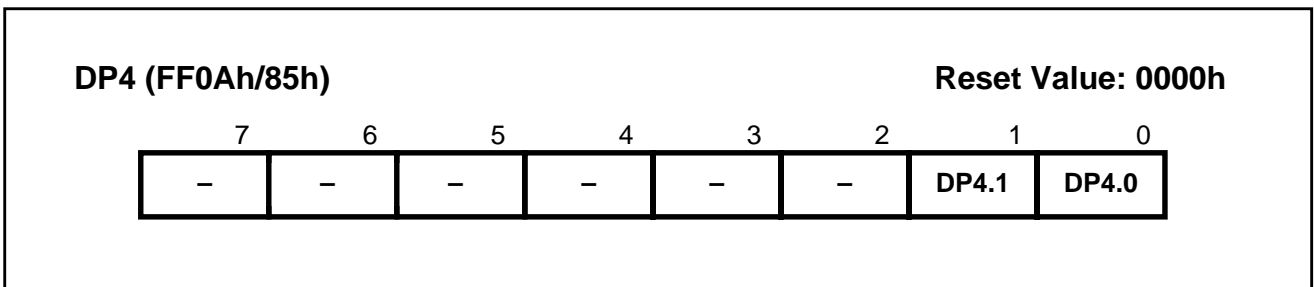


Figure 10.4
Port 4 Direction Control Register DP4

Symbol	Position	Function
DP4.y	DP4.y	Port P4 Direction Control (y=0 through 1) DP4.y = 0: Port Line P4.y is Input (high-impedance) DP4.y = 1: Port Line P4.y is Output
-	DP4 [7 ... 2]	(reserved)

Using P0 through P4 as General Purpose I/O Ports

When the alternate input or output function associated with a port pin is not enabled, the pin can be used as a general purpose I/O pin. Each port pin consists of a port output latch, an output buffer, an input latch, an input (read) buffer, and a direction control latch. Each port pin can be individually programmed for input or output via the respective direction control bit DPx.y. Figure 10.5 shows a general block diagram of a port pin as it is configured when used as a general purpose I/O port.

Port pins selected as inputs (DPx.y=0) are placed into a high-impedance state since the output buffer is disabled. This is the default configuration after reset. During reset, all port pins are configured for input. When exiting reset while no external bus function is selected, all port pins remain in input mode unless configured otherwise by the user. When an external bus is selected, the corresponding port pins are switched to the direction required by the selected bus type. This is explained in detail in the following sections.

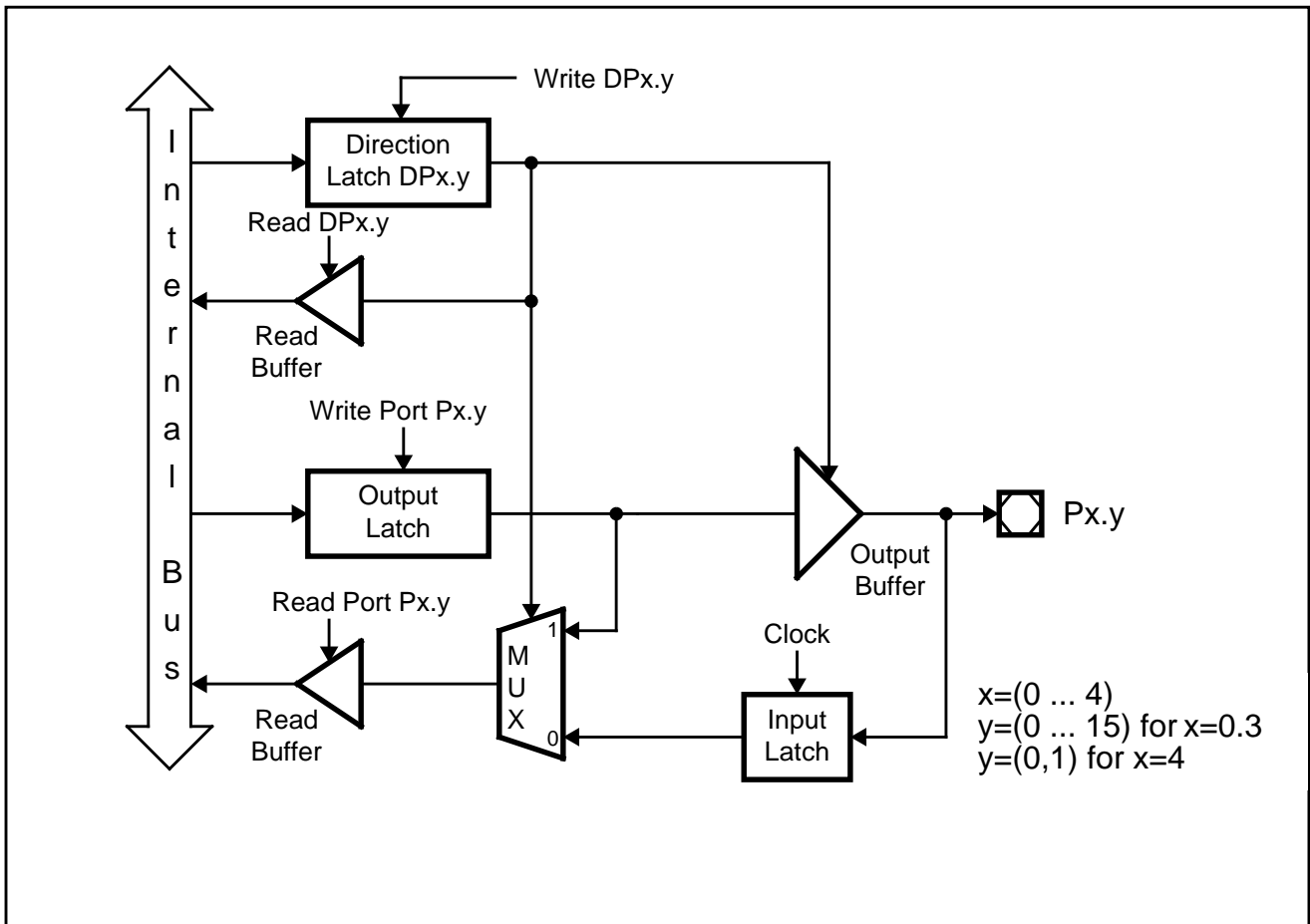


Figure 10.5
Block Diagram of a Port 0 through 4 General Purpose I/O Port

The logic level of a pin is clocked into the input latch once per state time, regardless whether the port is configured for input or output.

A write operation to a port pin configured as an input causes the value to be written into the port output latch, while a read operation returns the latched state of the pin itself. A read-modify-write operation reads the value of the pin, modifies it, and writes it back to the output latch.

Writing to a pin configured as an output ($DPx.y=1$) causes the output latch and the pin to have the written value, since the output buffer is enabled. Reading this pin returns the value of the output latch. A read-modify-write operation reads the value of the output latch, modifies it, and writes it back to the output latch, thus also modifying the level at the pin.

Alternate Input and Output Functions of P0 through P4

Each of the 76 port lines of the SAB 80C166 has an alternate input or output function associated with it. 34 port lines have both an alternate input and output function, the other 42 lines have either an alternate input or an alternate output function.

If an alternate output function of a pin is to be used, the direction of this pin must be programmed for output ($DPx.y=1$). Otherwise the pin remains in the high-impedance state and is not affected by the alternate output function.

If an alternate input function of a pin is used, the direction of the pin must be programmed for input ($DPx.y=0$) if an external device is driving the pin. The input direction is the default after reset. If no external device is connected to the pin, however, one can also set the direction for this pin to output. In this case, the pin reflects the state of the port output latch. Thus, the alternate input function reads the value stored in the port output latch. This can be used for testing purposes to allow a software trigger of an alternate input function by writing to the port output latch.

On most of the port lines, the user software is responsible for setting the proper direction when using an alternate input or output function of a pin. This is done by setting or clearing the direction control bit $DPx.y$ of the pin before enabling the alternate function. There are port lines, however, where the direction of the port line is switched automatically. For instance, in the multiplexed external bus modes of Port 0, the direction must be switched several times for an instruction fetch in order to output the addresses and to input the data. Obviously, this can not be done through instructions. In these cases, the direction of the port line is switched automatically by hardware if the alternate function of such a pin is enabled.

There is one basic structure for all port lines with only an alternate input function. Port lines with only an alternate output function, however, have different structures due to the way the direction of the pin is switched and depending on whether the pin is accessible by the user software or not in the alternate function mode.

The following sections describe in detail each of the ports and its alternate input and output functions.

10.1.1 Port 0 and Port 1

Port 0 and Port 1 are two 16-bit I/O ports. They are bit addressable, and each line can be programmed individually for input or output. When no external program and/or data memory is connected to the chip, Port 0 (P0) and Port 1 (P1) can be used as general purpose I/O ports.

As described in Chapter 9, ports P0 and P1 are used as the address and data lines in the various bus configurations which can be selected for connecting external memory to the chip. Port 0 is used in all 3 external bus configurations, while P1 is only used as the address bus (A15–A0) in the 16/18-bit Address, 16-bit Data, Non-Multiplexed Bus mode. Port 1 can be used as a general purpose I/O port in the multiplexed external bus configuration modes.

When a multiplexed bus configuration is selected, and the CPU accesses external memory, Port 0 first outputs the 16-bit intra-segment address information as an alternate output function. Port 0 is then switched to the high-impedance input mode to read the incoming instruction or data. In the 16/18-bit Address, 8-bit Data Bus mode, two memory cycles are required for word accesses, the first for the low byte and the second for the high byte of the word. When data is written to an external memory, Port 0 outputs the data byte or word after outputting the address.

In the non-multiplexed bus configuration, Port 1 outputs the 16-bit intra-segment address, while Port 0 reads the incoming instruction or data word or writes the data to the external memory. Therefore, Port 0 has both alternate input and alternate output functions, while Port 1 has only an alternate output function. Figure 10.6 shows the structure of a Port 0 pin, and figure 10.7 shows the structure of a Port 1 pin.

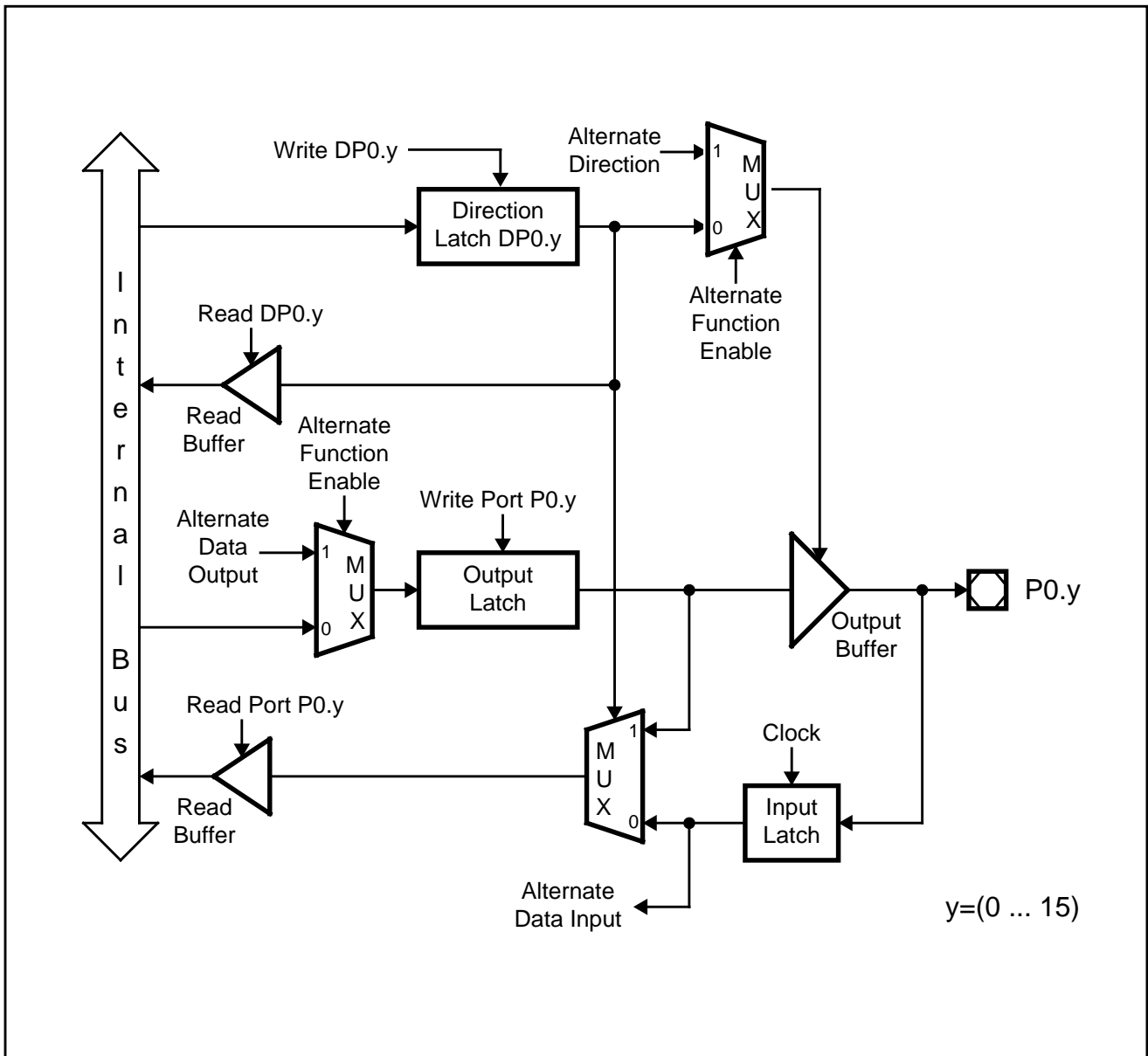


Figure 10.6
Block Diagram of a Port 0 Pin

When an external bus mode is enabled, the direction of the port pin and the data input to the port output latch are controlled by the bus controller hardware. The input to the port output latch is disconnected from the internal bus and is switched via a multiplexer to the line labeled Alternate Data Output. On Port 0, the alternate data can be the 16-bit intrasegment address

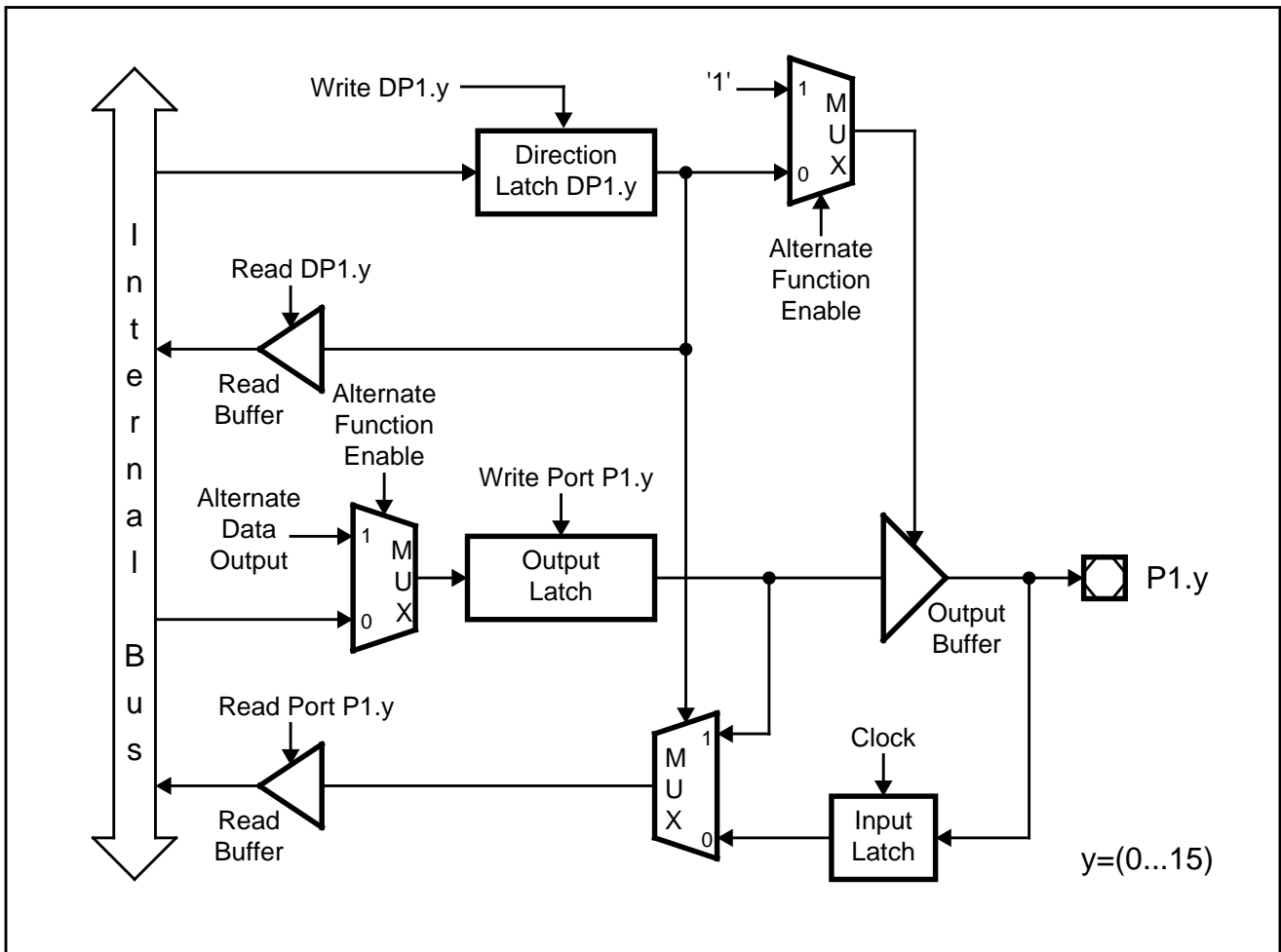


Figure 10.7
Block Diagram of a Port 1 Pin

or the 8/16-bit data information. On Port 1, the alternate data is the 16-bit intra-segment address in the non-multiplexed bus mode. The incoming data on Port 0 is read on the line Alternate Data Input. While an external bus mode is enabled, the user software should not write to the port output latch, otherwise unpredictable results may occur. When the external bus modes are again disabled, the contents of the direction register last written by the user become active.

10.1.2 Port 2

All of the 16 pins of Port 2 (P2) may be used for the alternate input/output functions of the CAPCOM unit. They serve as an input line for the capture function or as an output line for the compare functions. The alternate symbols CC0IO through CC15IO have been assigned to Port 2 in addition to the standard symbols P2.0 through P2.15 in order to reflect its alternate functions. Figure 10.8 shows a block diagram of a Port 2 pin.

When a Port 2 line is used as a capture input, the state of the input latch, which represents the state of the port pin, is directed to the CAPCOM unit via the line Alternate Pin Data Input. The user software must set the direction of the pin to input if an external capture

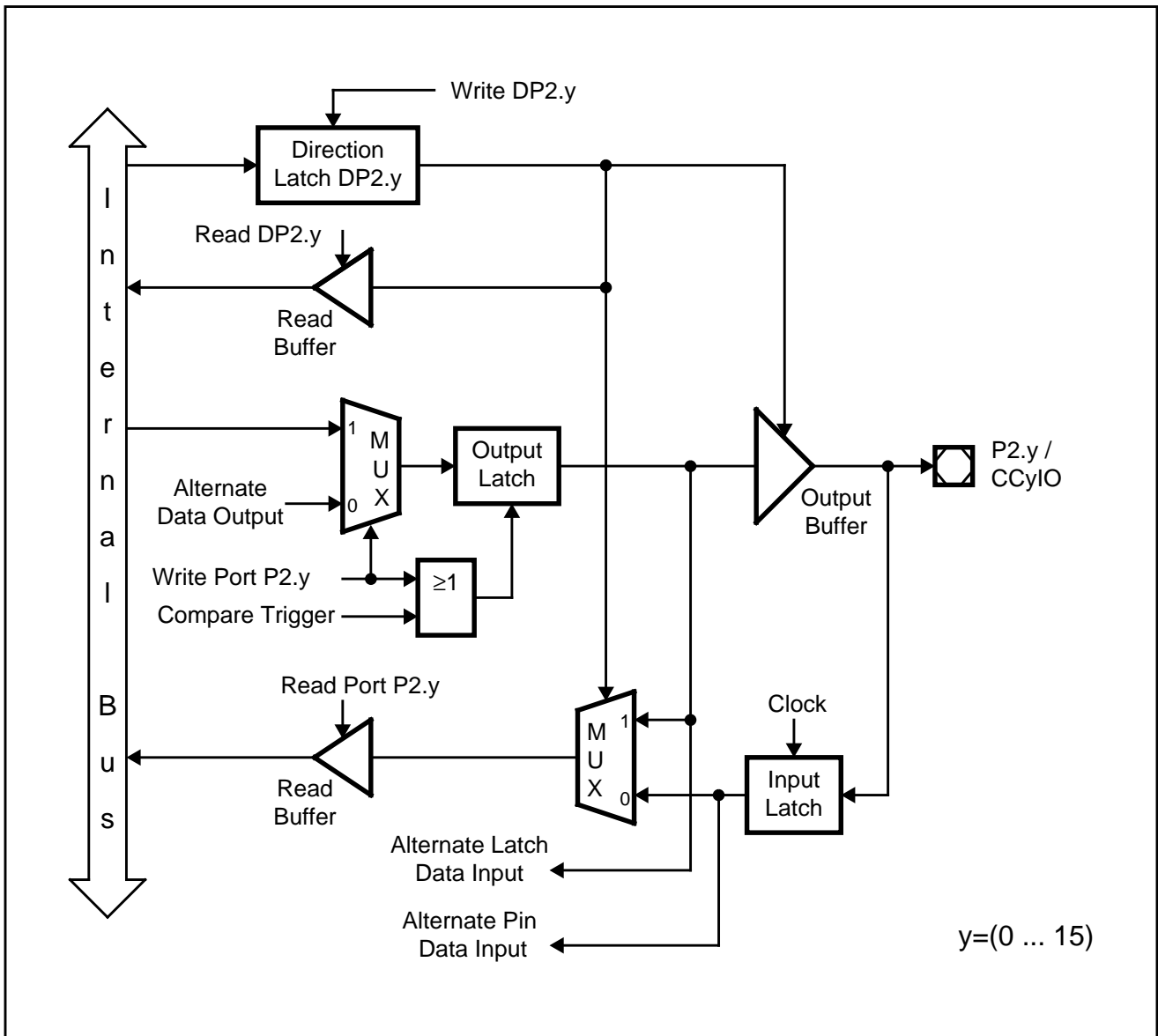


Figure 10.8
Block Diagram of a Port 2 Pin

trigger signal is used. If the direction is set to output, the state of the port output latch will be read since the pin represents the state of the output latch. This can be used to trigger a capture event through software by setting or clearing the port latch. Note that in the output configuration, no external device may drive the pin, otherwise conflicts would occur.

When a Port 2 line is used as a compare output (compare modes 1 and 3; refer to chapter 8.1), the compare event (or the timer overflow in compare mode 3) directly affects the port output latch. In compare mode 1, when a valid compare match occurs, the state of the port output latch is read by the CAPCOM control hardware via the line Alternate Latch Data Input, inverted, and written back to the latch via the line Alternate Data Output. The port output latch is clocked by the signal Compare Trigger which is generated by the CAPCOM unit. In compare mode 3, when a match occurs, the value '1' is written to the port output latch via the line Alternate Data Output. When an overflow of the corresponding timer occurs, a '0' is written to the port output latch. In both cases, the output latch is clocked by the signal Compare Trigger. The direction of

the pin should be set to output by the user, otherwise the pin will be in the high-impedance state and will not reflect the state of the output latch.

As can be seen from the block diagram, the user software always has free access to the port pin even when it is used as a compare output. This is useful for setting up the initial level of the pin when using compare mode 1 or the double-register mode. In these modes, unlike in compare mode 3, the pin is not set to a specific value when a compare match occurs. Instead, it is toggled.

When the user wants to write to the port pin at the same time a compare trigger tries to clock the output latch, the write operation of the user software has priority. Each time a CPU write access to the port output latch occurs, the input multiplexer of the port output latch is switched to the line connected to the internal bus. The port output latch will receive the value from the internal bus. The hardware triggered change will be lost.

10.1.3 Port 3

Each of the 16 pins of Port 3 (P3) has an alternate input or output function associated with it. Seven pins have an alternate input function, seven pins have an alternate output function, and two pins, RXD0 and RXD1, have an alternate input or output function depending

Table 10.1
Port 3 Alternate Input/Output Functions

Symbol	Alternate Symbol	Input/Output	Function
P3.0	T0IN	I	Timer 0 Count Input
P3.1	T6OUT	O	Timer 6 Toggle Latch Output
P3.2	CAPIN	I	CAPREL Register Capture Input
P3.3	T3OUT	O	Timer 3 Toggle Latch Output
P3.4	T3EUD	I	Timer 3 External Up / Down Control Input
P3.5	T4IN	I	Timer 4 Count / Gate / Reload / Capture Input
P3.6	T3IN	I	Timer 3 Count / Gate Input
P3.7	T2IN	I	Timer 2 Count / Gate / Reload / Capture Input
P3.8	TXD1	O	Serial Channel 1 Data Output in Asynchronous Mode; Clock Output in Synchronous Mode
P3.9	RXD1	I/O	Serial Channel 1 Data Input in Asynchronous Mode; Data Input / Output in Synchronous Mode
P3.10	TXD0	O	Serial Channel 0 Data Output in Asynchronous Mode; Clock Output in Synchronous Mode
P3.11	RXD0	I/O	Serial Channel 0 Data Input in Asynchronous Mode; Data Input / Output in Synchronous Mode
P3.12	BHE#	O	Byte High Enable Control Signal for External Memory
P3.13	WR#	O	Write Strobe for External Data Memory
P3.14	READY#	I	Ready Input
P3.15	CLKOUT	O	System Clock Output

on the operating mode of the serial channel they are associated with. The alternate functions of Port 3 are listed in table 10.1. When the alternate input or output function of a Port 3 pin is not used, this pin can be used as a general purpose I/O pin. When an alternate function is used on a Port 3 pin, the configuration of this pin depends on the type of the alternate function. There are four different configurations described in the following paragraphs.

10.1.3.1 Port 3 Pins T0IN, T2IN, T3IN, T4IN, T3EUD, CAPIN, and READY#

The basic structure of these seven Port 3 pins, which only have an associated alternate input function, is identical, as shown in figure 10.9. Note that the READY# pin has an additional alternate input line which is tied directly to the pin. This line is used for the synchronous Ready function.

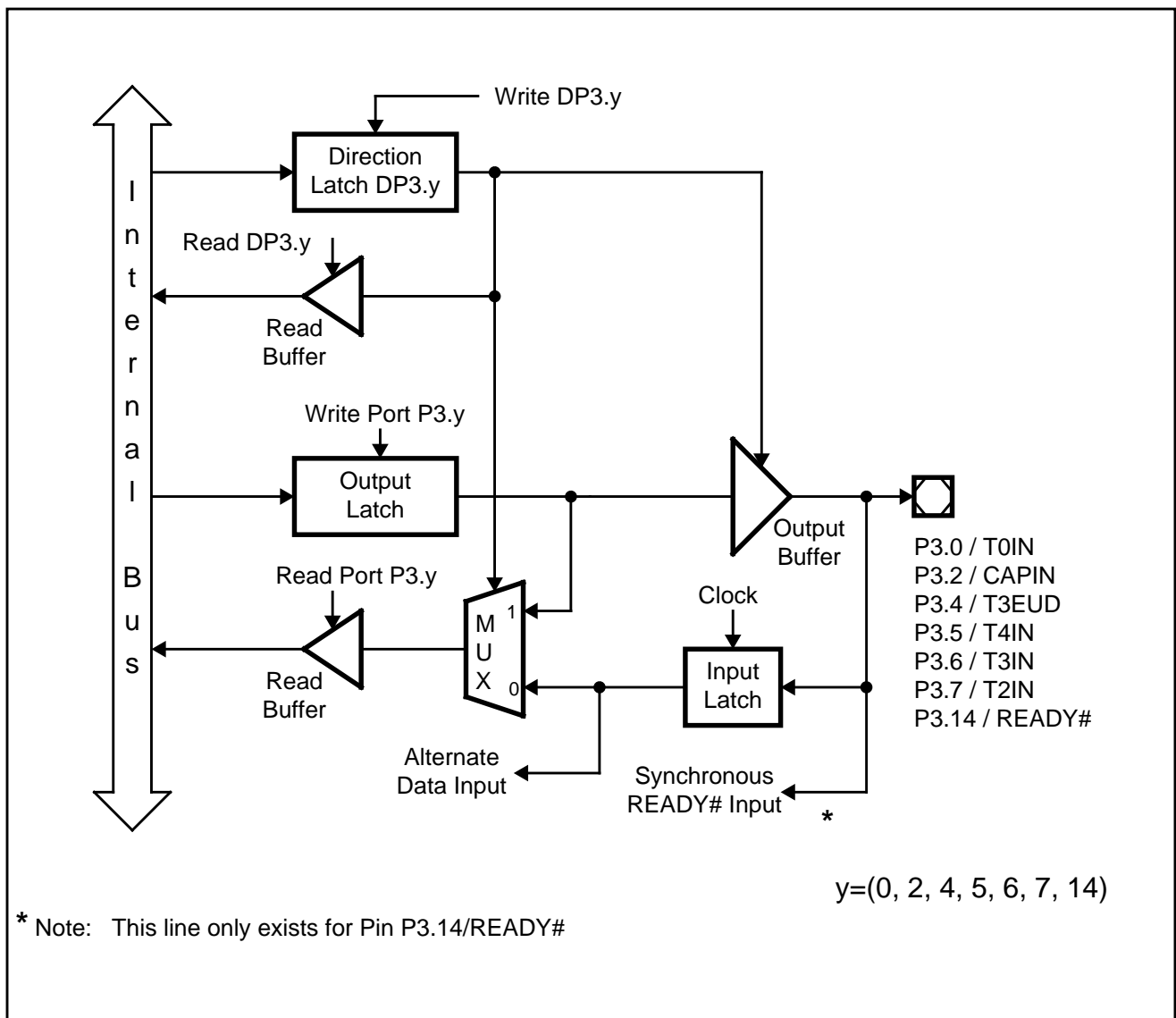


Figure 10.9
Block Diagram of a Port 3 Pin with an Alternate Input Function

When the on-chip peripheral associated with such a pin is configured to use the alternate input function, it reads the input latch, which represents the state of the pin, via the line labeled Alternate Data Input. If an external device is driving the pin, the direction of the pin must be set to input. When no external device is connected to the pin, one can set the direction to output and write to the port output latch to trigger the Alternate Data Input line.

10.1.3.2 Port 3 Pins T3OUT, T6OUT, TXD0, TXD1, WR#, CLKOUT

These six of the seven Port 3 pins which have only an alternate output function associated also have an identical structure, shown in figure 10.10. The Alternate Data Output line, which is controlled by the respective peripheral unit, is ANDed with the port output latch line. When using these alternate functions, the user must set the direction of the port line to output (DP3.y=1) and must write a '1' into the port output latch. Otherwise the pin is in its high-impedance state (when configured as input) or the pin is stuck at '0' (when writing a '0' into the port output latch). When the alternate output functions are not used, the Alternate Data Output line is in its inactive state, which is a high level ('1').

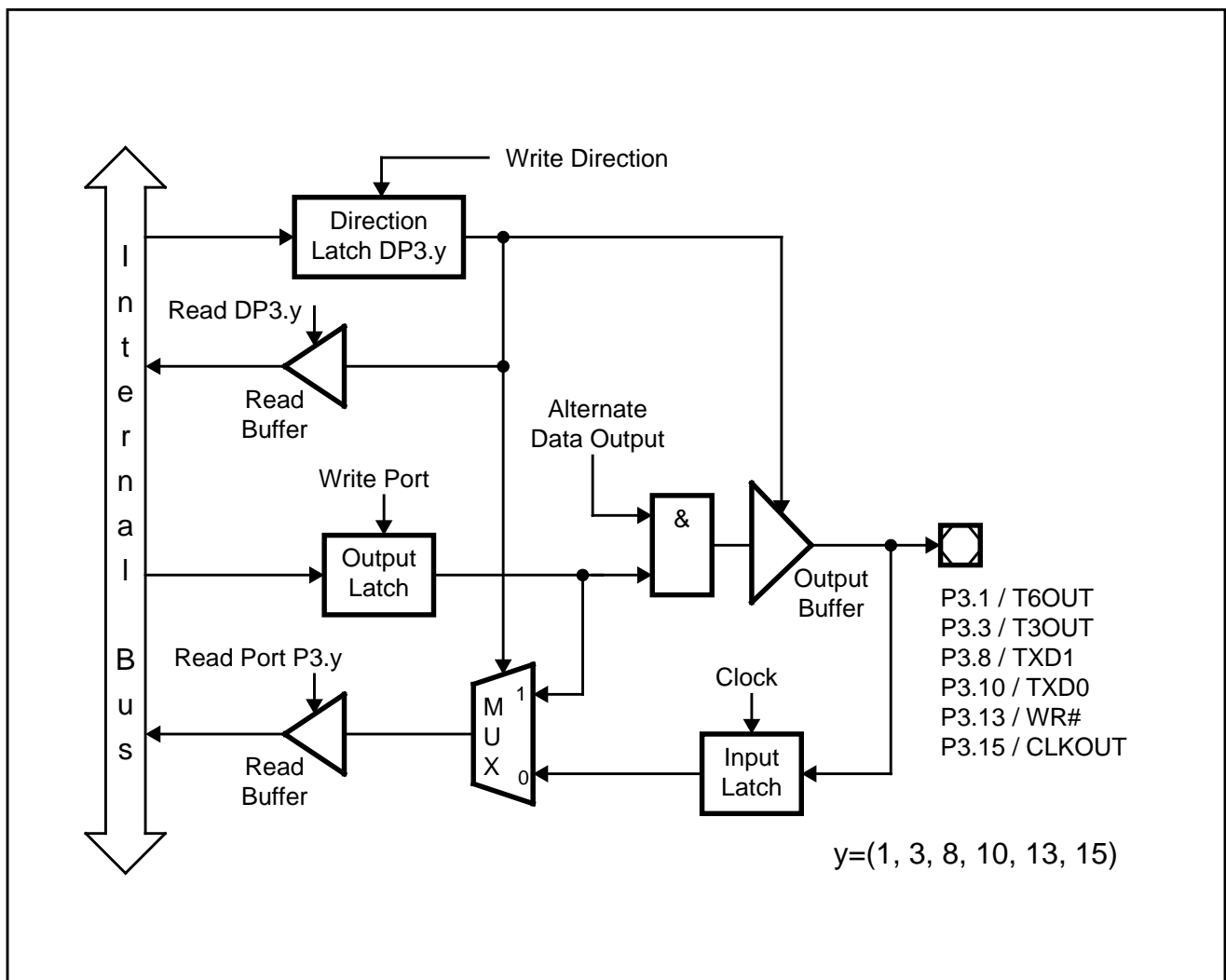


Figure 10.10
Block Diagram of a Port 3 Pin with an Alternate Output Function

10.1.3.3 Port 3 Pin BHE#

Figure 10.11 shows the block diagram of pin P3.12/BHE#, which is the seventh Port 3 pin with only an alternate output function. Since the BHE# signal might be required directly after reset when an external 16-bit data bus mode (multiplexed or non-multiplexed) is selected through pins EBC1 and EBC0, there is no way the user can configure the BHE# pin. Thus, it will be switched automatically to the alternate function.

When an external 16-bit data bus mode is selected AND the BHE# function is enabled through bit BYTDIS=0 in register SYSCON (default after reset), the two multiplexers in the port data output line and the port direction control line are switched. The direction is set to '1' (output), and the pin is controlled by the Alternate Data Output line.

If the BHE# pin is not required in an application, the user can disable the function by setting bit BYTDIS to '1'. The pin can then be used for general purpose I/O.

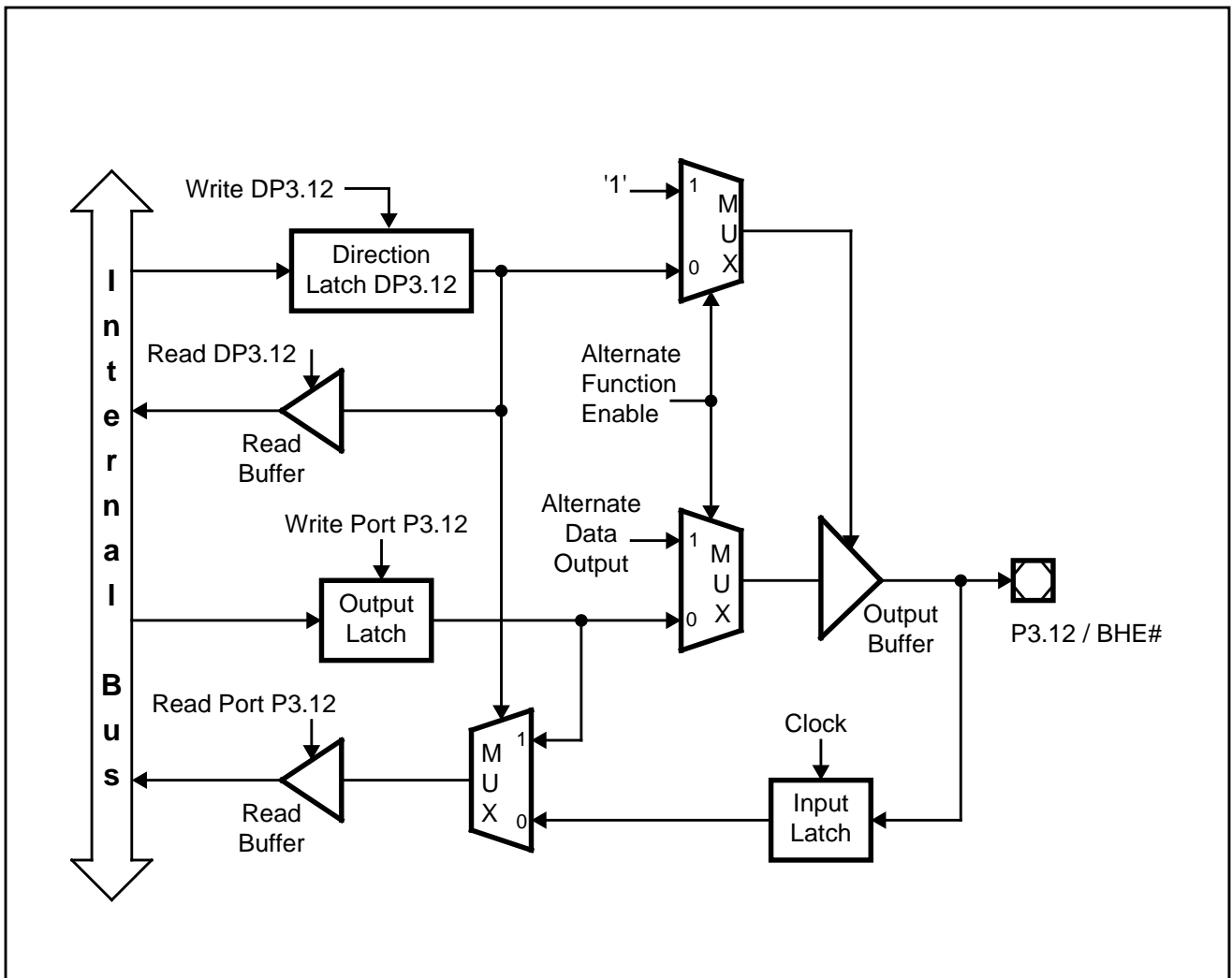


Figure 10.11
Block Diagram of Port 3 Pin BHE#

10.1.3.4 Port 3 Pins RXD0 and RXD1

The configuration of the two pins RXD0 and RXD1, with both an alternate input and an alternate output function, is shown in figure 10.12. The Alternate Data Output line again is ANDed with the port output latch line.

In the asynchronous modes of the Serial Channels, pins RXD0 and RXD1 are always used as data inputs. The direction of these pins must be set to input by the user (DP3.y=0). The Serial Channels read the state of pins RXD0 and RXD1 via the line Alternate Data Input.

In the half-duplex synchronous mode, pins RXD0 and RXD1 are used as either data inputs or outputs. For transmission, the user first must set the direction to output (DP3.y=1) and must write a '1' into the port output latch. For reception, the user must set the direction to input before starting the reception. When the alternate output function on these pins is not used, the Alternate Data Output line is in its inactive state, which is a high level ('1').

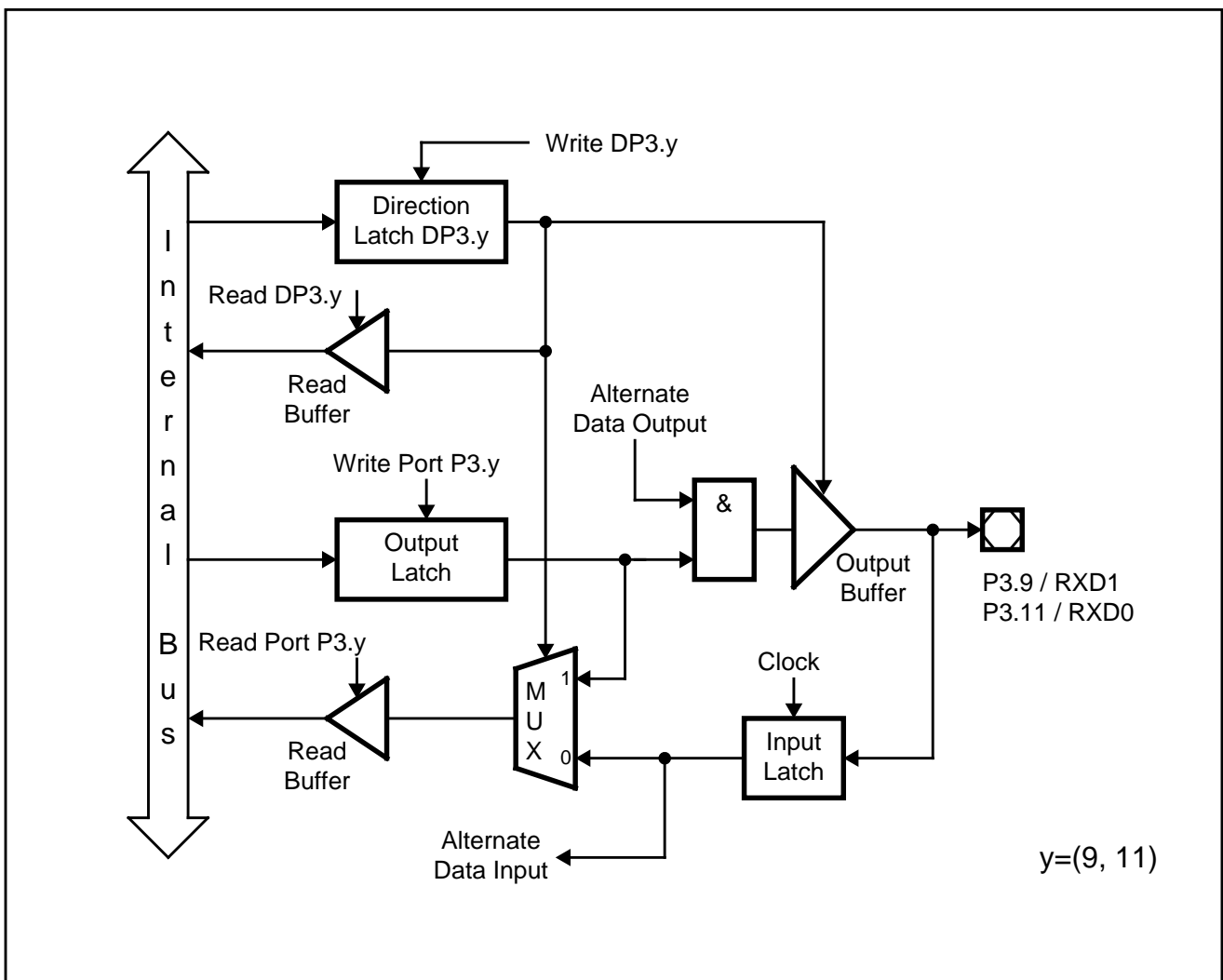


Figure 10.12
Block Diagram of Port 3 Pins RXD0 and RXD1

10.1.4 Port 4

The alternate functions on the two pins of Port 4 (P4) are the two segment address lines A16 and A17, shown in table 10.2. As for Port 0, Port 1, and the BHE# signal, the alternate function of Port 4 might be required directly after reset. Thus, the alternate function of Port 4 will be switched automatically.

Table 10.2
Port 4 Alternate Output Functions

Symbol	Alternate Symbol	Input/Output	Function
P4.0	A16	O	Lower Address Line of Segment Address
P4.1	A17	O	Higher Address Line of Segment Address

Figure 10.13 shows a block diagram of a Port 4 pin, which is the same as for a Port 1 pin. When an external bus is selected AND segmentation is enabled through bit SGTDIS=0 in register SYSCON (default after reset), the input to the port output latch is switched via a

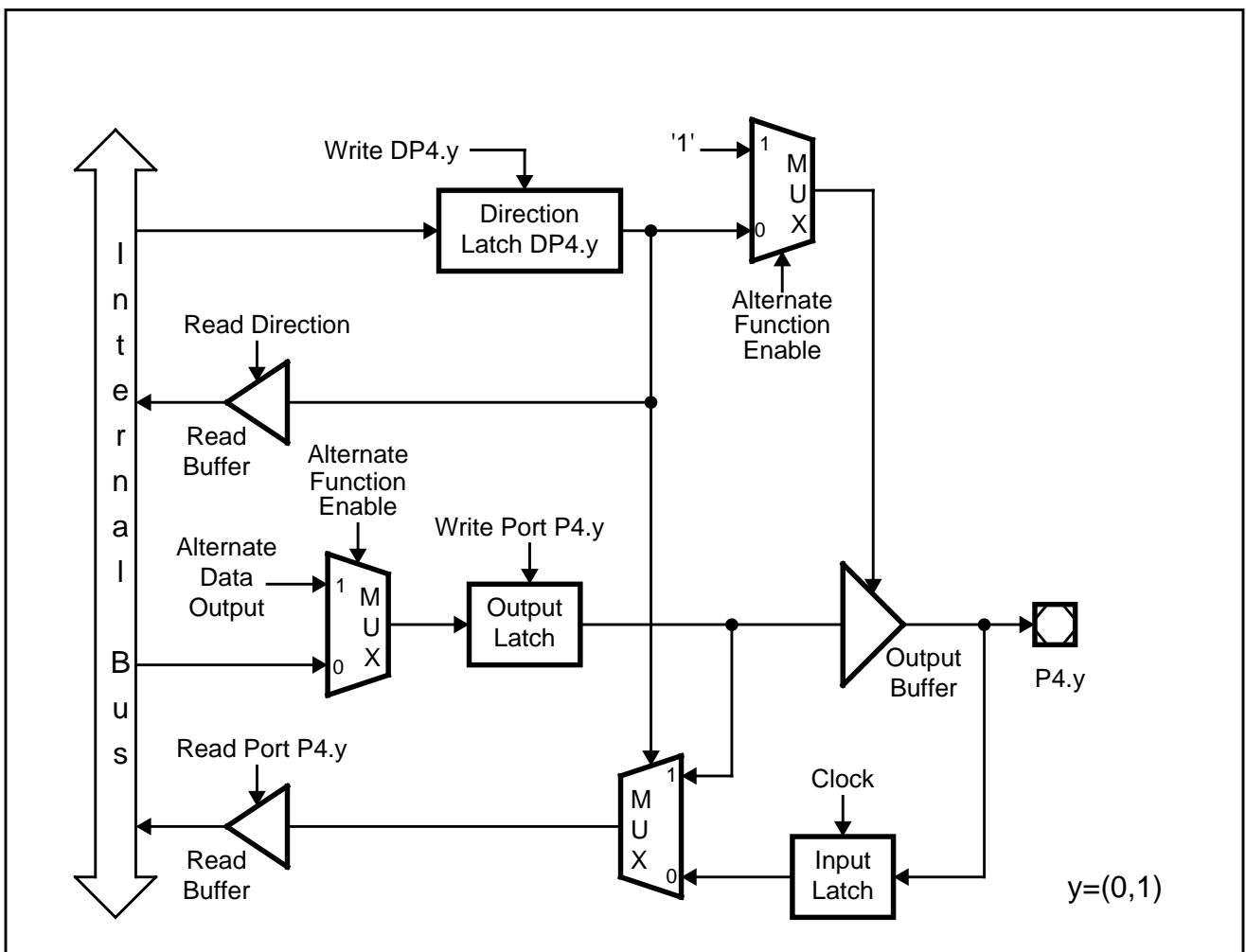


Figure 10.13
Block Diagram of a Port 4 Pin

multiplexer from the internal bus to the Alternate Data Output line, which supplies the segment address. Via a second multiplexer, the output buffer is enabled to drive the segment address. If segmentation is not required in an application, the user can disable segmentation by setting bit SGTDIS to '1'. The pins of Port 4 can then be used for general purpose I/O.

10.2 Port 5

Port 5 (P5) differs from Ports 0 through 4, since it is a 10-bit input only port. Besides being used as a digital input port, all lines of Port 5 may be used as the analog input channels to the A/D converter. The input buffers to P5 have Schmitt-Trigger characteristics in order to achieve logic levels from the analog inputs. Figure 10.14 illustrates the structure of a Port 5 pin.

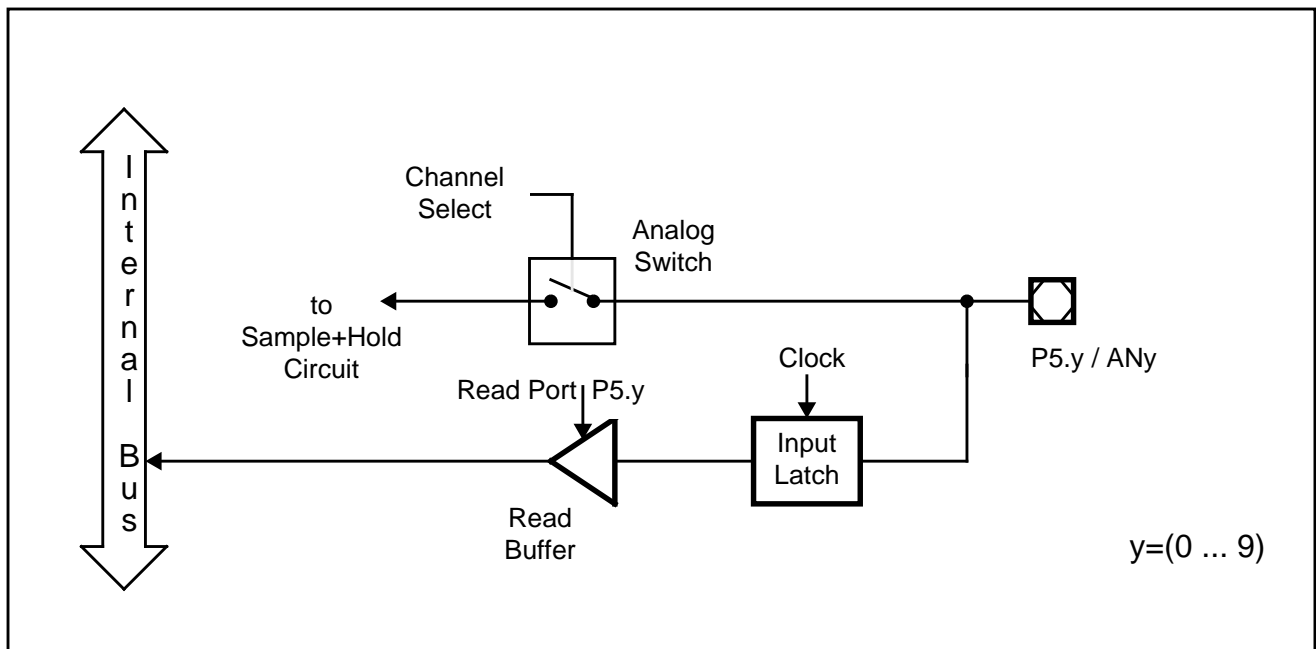


Figure 10.14
Block Diagram of a Port 5 Pin

Since Port 5 is an input only port, it has no port output latches and no direction register. However, an address in the bit addressable register address space is provided in order to be able to read Port 5 by software. Figure 10.15 shows the format of the result when reading Port 5. Port 5 is actually a 10-bit port, but the port register P5 is realized as a word register. Positions P5.10 through P5.15 are reserved and will be read as zeros. A write operation to P5 has no effect. The value written to it is lost.

No special distinction has to be made between Port 5 lines being used as analog inputs and Port 5 lines being used as digital inputs. A read operation on Port 5 may be performed on any of the 10 bits. The bits corresponding to lines being used as analog inputs are don't care bits. An A/D conversion on a line being used as a digital input will convert the logic level applied to the pin. Table 10.3 illustrates the Port 5 lines and the corresponding analog input channels.

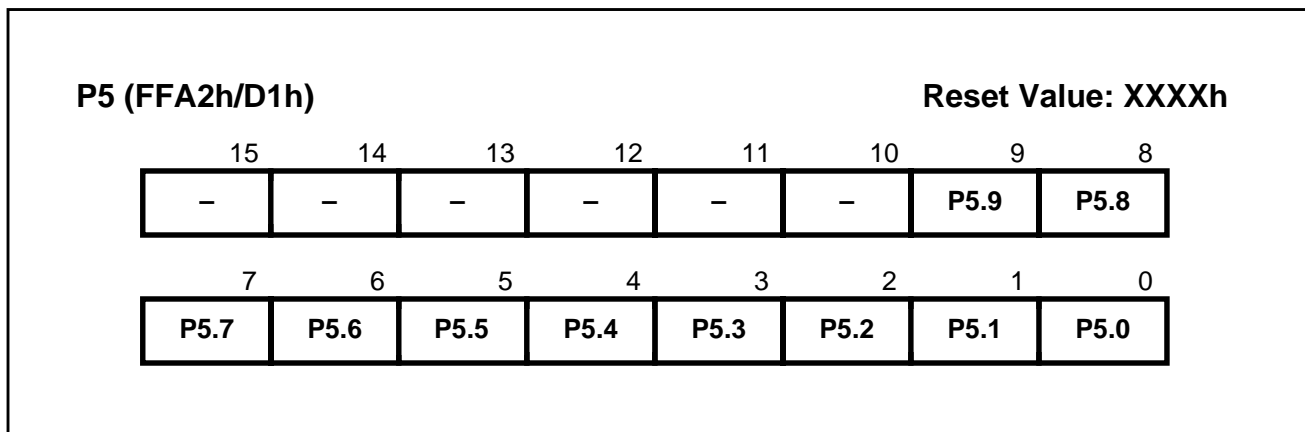


Figure 10.15
Port 5 Register P5

Symbol	Position	Function
P5.y	P5.y	Port 5 Data Register, READ ONLY (y=0 through 9)
-	P5 [10 ... 15]	(reserved)

Table 10.3
Alternate Functions of Port 5

Symbol	Alternate Symbol	Description
P5.0	AN0	Analog Input Channel 0
P5.1	AN1	Analog Input Channel 1
P5.2	AN2	Analog Input Channel 2
P5.3	AN3	Analog Input Channel 3
P5.4	AN4	Analog Input Channel 4
P5.5	AN5	Analog Input Channel 5
P5.6	AN6	Analog Input Channel 6
P5.7	AN7	Analog Input Channel 7
P5.8	AN8	Analog Input Channel 8
P5.9	AN9	Analog Input Channel 9

11 System Reset

The internal system reset function provides initialization of the SAB 80C166 into a defined default state. This internal reset function is invoked by any of the following conditions:

- 1) By asserting a hardware reset signal on the RSTIN# (Hardware Reset Input) pin
- 2) Upon the execution of the SRST (Software Reset) instruction
- 3) By an overflow of the Watchdog Timer

Whenever one of these conditions occurs, the microcontroller is reset into its predefined default state through an internal reset procedure. When a reset is initiated, pending internal hold states are cancelled and external memory access cycles are aborted, regardless of an unreturned READY# signal. Write operations to the internal RAM, however, are completed before the internal reset procedure begins. After this internal reset has been completed in case of a software or watchdog timer triggered reset, or after deassertion of the signal at pin RSTIN# in case of a hardware reset, the microcontroller will start program execution from memory location 0000h in code segment zero. Here, one would normally place a branch instruction to the start of a software initialization routine for the application specific configuration of peripherals and CPU Special Function Registers.

11.1 RSTIN# and RSTOUT# Pins

Two pins, RSTIN# (Reset In) and RSTOUT# (Reset Out), are dedicated to the system reset function of the SAB 80C166. The RSTIN# pin is used for resetting the microcontroller through an external hardware reset signal. Whenever a logical low level is asserted on this pin for a specified period of time, an internal reset is performed.

In order to obtain an automatic power-on reset, the RSTIN# pin can be connected to an external capacitor, since this pin already has an internal pullup resistor connected to V_{CC} (see figure 11.1a). The reset signal on RSTIN# first passes a Schmitt-Trigger in order to obtain a fast transition. The minimum duration of the power-on reset signal must be 50 ms, because the oscillator needs a start up time. The internal pullup resistor may vary between 50 k Ω and 150 k Ω (see also Appendix D.3), therefore the minimum power-on reset time must be determined by the lowest value of this pullup resistor. One may also use an additional external resistor. In the reset circuit shown in figure 11.1b, reset source 1 may be used e.g for power-on reset, and reset source 2 for warm reset. In the case of a warm reset where the oscillator is already stabilized, the minimum low time of the reset signal at pin RSTIN# is only 1040 state times (52 μ s @ $f_{osc} = 40$ MHz).

The RSTOUT# pin will be pulled low after a hardware reset signal has been asserted on the RSTIN# pin. It is also pulled low whenever the SRST instruction is executed or a Watchdog Timer overflow has occurred. The signal on the RSTOUT# pin can be used to simultaneously reset external hardware whenever the SAB 80C166 is reset. The RSTOUT# pin stays low until the protected EINIT (End of Initialization) instruction is executed. Figure 11.2 shows the relation between the RSTIN# and the RSTOUT# signal.

Figure 11.1
Reset Circuits

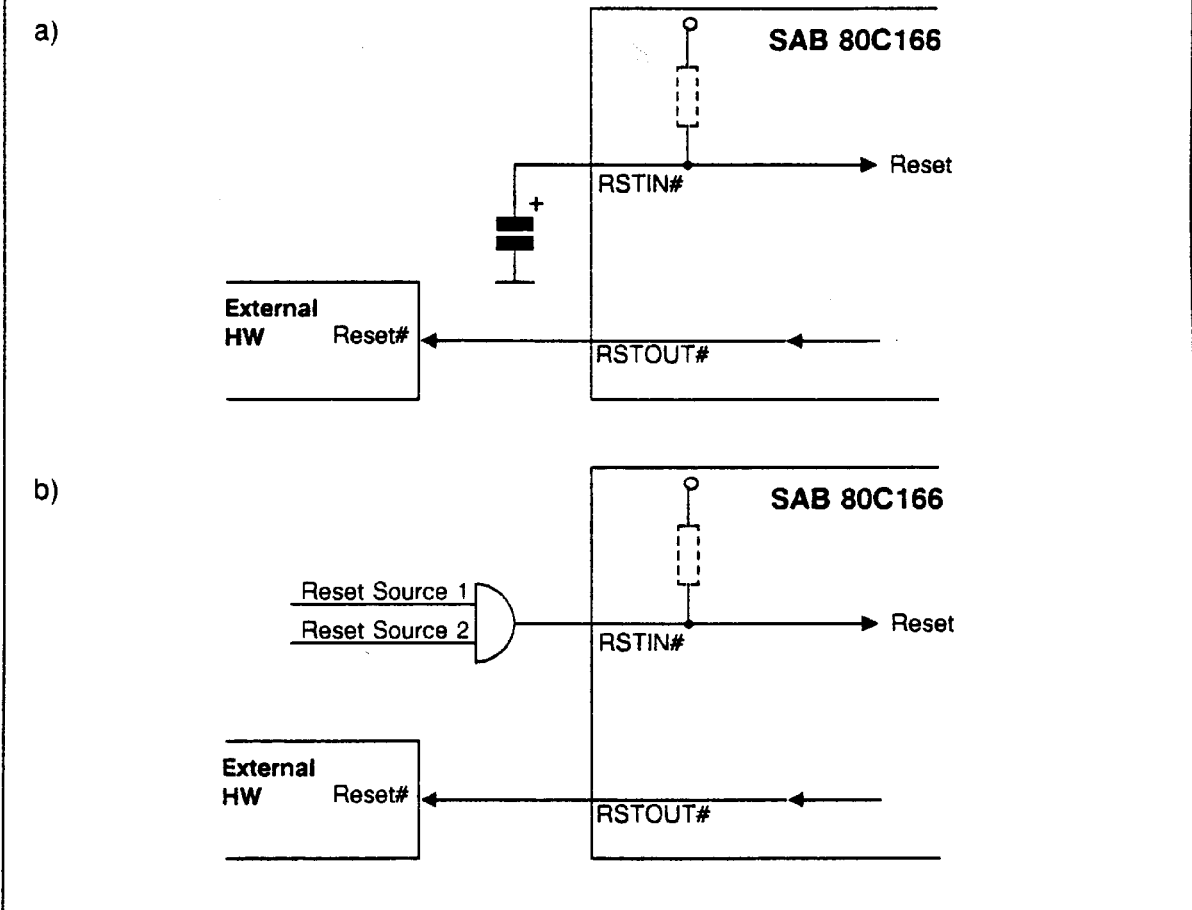
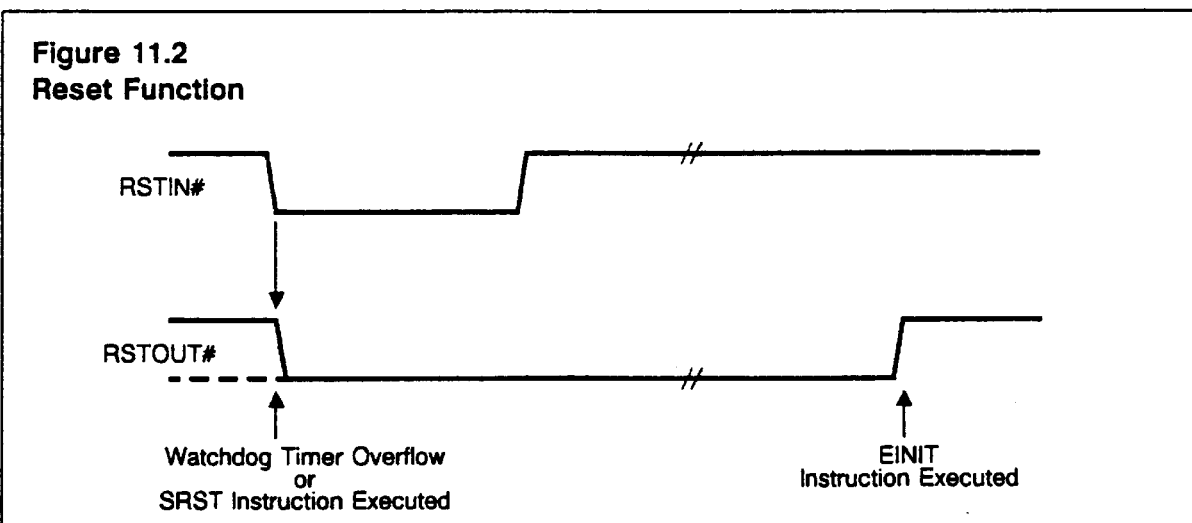


Figure 11.2
Reset Function



11.2 Reset Values for SAB 80C166 Registers

Most SFRs, including system registers and peripheral control and data registers, are forced to zero once the internal reset has completed. This default configuration has been selected such that all peripherals and the interrupt system are disabled from operation. Only data page pointers DPP1 through DPP3, the CP, SP, STKOV, STKUN, SYSCON, WDTCON, and specific read only registers may contain default values other than zero after a system reset. A complete summary of all SAB 80C166 registers and their reset values is contained in Appendix B.

Note that the contents of the internal RAM are not affected by a system reset. After a power-on reset, the contents of the internal RAM are undefined. This implies that the GPRs and the PEC source and destination pointers (SRCPy, DSTPy, y = 0..7) which are mapped into the internal RAM are also undefined after a power-on reset. After a warm reset or a reset which is caused by an overflow of the Watchdog Timer or by execution of the SRST instruction, the previous contents of the internal RAM remain unaffected.

The four Data Page Pointers DPP0 through DPP4 are initialized during a system reset such that they are pointing to the lowest four consecutive 16 K data pages. DPP0 points to data page 0, DPP1 points to data page 1, DPP2 points to data page 2, and DPP3 points to data page 3.

11.3 Watchdog Timer Operation after Reset

The Watchdog Timer starts running after the internal reset has completed. Its default clock frequency will be the internal system clock/2 (10 MHz @ $f_{osc} = 40$ MHz), and its default reload value is 00h such that a watchdog timer overflow will occur 131072 states (6.55 ms @ $f_{osc} = 40$ MHz) after completion of the internal reset. When the system reset was caused by a Watchdog Timer overflow, the WDTR (Watchdog Timer Reset Indication) flag in register WDTCON will be set to '1'. This indicates the cause of the internal reset to the software initialization routine. WDTR is reset to '0' by an external hardware reset or by servicing the watchdog timer.

After the internal reset has completed, the operation of the Watchdog Timer can be disabled by the DISWDT (Disable Watchdog Timer) instruction. This instruction has been implemented as a protected instruction. For further security, its execution is only enabled in the time period after a reset until either the SRWDT (Service Watchdog Timer) or the EINIT instruction has occurred. Otherwise, execution of the DISWDT instruction will have no effect. More details about Watchdog Timer operation can be found in section 8.5.

11.4 Ports and External Bus Configuration during Reset

During the internal reset, all of the SAB 80C166's port pins are configured as inputs through their direction registers and are switched to the high impedance state (see chapter 10 for details about the internal port structure). This ensures that the SAB 80C166 and external devices will not try to drive the same pin to different levels. Pin ALE is floating to low through a weak internal pulldown, and pin RD# is floating to high.

The BTYP (Bus Type) field of the SYSCON register is initialized to the bus configuration that is determined by the state of pins EBC0 and EBC1 (External Bus Configuration) at the end of the internal system reset. The ROM enable bit (ROMEN) will be set to '1' if single-chip mode has been selected (EBC1/0 = 00b), otherwise it is set to '0'. The other bits of the SYSCON register are forced to zero. This default initialization of the SYSCON register has been selected such that external memories are accessed with the slowest possible configuration for the respective bus type. The Ready function is disabled.

When the internal reset has completed, the configuration of Ports 0, 1, 4, and of the BHE# signal (High Byte Enable, alternate function of P3.12) depends on the bus type which was selected during reset via the EBC0 and EBC1 pins. All other pins remain in the high-impedance state until they are changed by software or peripheral operation.

When single chip mode was selected, Ports 0, 1, and 4, and P3.12/BHE# also remain in the high-impedance state until modified by software or through bus type reconfiguration in register SYSCON.

When any of the external bus modes was selected during reset, Port 0 and/or Port 1 will operate in the selected bus mode. The two pins of Port 4 will output the segment address, since bit SGTDIS in register SYSCON is '0' (default after reset). The code segment pointer (CSP) is initialized to zero, and all bits of the data page pointers except for the two LSBs are also initialized to zero during reset. Therefore, Port 4 will always output 00b after reset. When no memory accesses above 64 K are to be performed, segmentation may be globally disabled by setting bit SGTDIS to '1'.

When an external 16-bit data bus mode (16/18-bit address, multiplexed or non-multiplexed) is selected, the BHE# pin will be active after a reset. It can be disabled by setting the BYTDIS bit in the SYSCON register to '1'.

11.5 Initialization Software Routine

To ensure proper entry into the initialization software routine, a hardware branch to location zero/segment zero is made immediately following completion of the internal system reset or deassertion of a correct reset signal on pin RSTIN#, respectively. Since location 0000h is the first vector in the trap/interrupt vector table, it is the responsibility of the user to place a branch instruction at location zero which branches to the first instruction of the initialization routine. Note that 8 bytes (locations 0000h through 0007h) are provided in this table for the reset function. If single chip mode is selected through pins EBC0 and EBC1, the internal ROM is accessed when the initial branch is made to location zero. Otherwise, an external fetch to location zero is made.

When internal ROM access is enabled after reset in single chip mode where bit ROMEN = 1 in register SYSCON, one can reconfigure the external bus options in the first instructions of the software initialization routine. This is normally required whenever an external memory is used, because the SYSCON register is initialized during reset to the slowest possible memory configuration. To select the desired memory configuration and the required access parameters, one simply moves a constant to the SYSCON register thus ensuring that proper synchronization between the external memory and the SAB 80C166 is achieved. The external bus configuration options are described in detail in section 9.1.

To decrease the number of instructions required to initialize the SAB 80C166, each peripheral is programmed to a default configuration upon reset, but is disabled from operation. These default configurations can be found in the descriptions of the individual peripherals in chapter 8.

During the software design phase, portions of the internal memory space must be assigned to register banks and system stack. When selecting initialization values for the SP (Stack Pointer) and CP (Context Pointer) registers, one must ensure that these registers are initialized before any GPR or stack operation is performed. This includes interrupt processing which is disabled upon completion of the internal reset, and should remain disabled until the SP is initialized.

In addition, the stack overflow (STKOV) and the stack underflow (STKUN) registers should be initialized. After reset, the CP, SP, and STKUN registers all contain the same reset value FC00h, while the STKOV register contains FA00h. With the default reset initialization, 256 words of system stack are available, where the system stack selected by the SP grows downwards from FBFEh, while the register bank selected by the CP grows upwards from FC00h.

Based on the application, the user may wish to initialize portions of the internal memory before normal program operation. Once the register bank has been selected through programming of the CP register, one can easily perform memory zeroing through indirect addressing of the desired portions of the internal memory.

At the end of the initialization, the interrupt system may be globally enabled by moving the appropriate constant to the PSW register. One must be careful not to enable the interrupt system before initialization is complete.

The software initialization routine should be terminated with the EINIT instruction. This instruction has been implemented as a protected instruction. Execution of the EINIT instruction disables the action of the DISWDT instruction and causes the RSTOUT# pin to go high (see also figure 11.2). This signal can be used to indicate the end of the initialization routine and the proper operation of the microcontroller to external hardware.

12 Power Reduction Modes

Two different power reduction modes with different levels of power reduction have been implemented in the SAB 80C166 which may be entered under software control. In Idle mode, the CPU is stopped, while the peripherals continue their operation. In Power Down mode, both the CPU and the peripherals are stopped. Idle mode can be terminated by any reset or interrupt request, while Power Down mode can only be terminated by a hardware reset.

12.1 Power Down Mode

To save power in a system, the microcontroller can be placed in Power Down mode. All clocking of internal blocks is stopped, but the contents of the internal RAM are preserved through the voltage supplied by the V_{CC} pins. The Watchdog Timer is stopped in Power Down mode. One can only exit this mode through an external hardware reset by asserting a low level on the RSTIN# pin for a specified period of time (1040 state times). This reset will initialize all SFRs and ports to their default state, but will not change the contents of the internal RAM.

There are two levels of protection against unintentionally entering the Power Down mode. First, the PWRDN (Power Down) instruction which is used to enter this mode has been implemented as a protected instruction. Second, this instruction is effective ONLY if the NMI# (Non Maskable Interrupt) pin is externally pulled low while the PWRDN instruction is executed. The microcontroller will then enter the Power Down mode after the PWRDN instruction has completed.

This feature can be used in conjunction with an external power failure signal, which pulls the NMI# pin low when a power failure is imminent. The microcontroller will enter the NMI trap routine which can perform saving of the internal state into RAM. After the internal state has been saved, the trap routine may set a flag or write a certain bit pattern into specific RAM locations, and then execute the PWRDN instruction. If the NMI# pin is still low at this time, the Power Down mode will be entered, otherwise program execution continues. During power down, the voltage at the V_{CC} pins can be lowered to 2.5 V and the contents of the internal RAM will be preserved.

Later, when a reset occurs, the initialization routine can check the identification flag or bit pattern in RAM to determine whether the controller was initially switched on or whether it was properly restarted from Power Down mode.

12.2 Idle Mode

One can decrease the power consumption of the SAB 80C166 microcontroller by entering Idle mode. If enabled, all peripherals, INCLUDING the Watchdog Timer, continue to function normally, only the CPU operation is halted.

The Idle mode is entered after the IDLE instruction has been executed and the instruction before the IDLE instruction has completed. To prevent unintentional entry into Idle mode, the IDLE instruction has been implemented as a protected instruction.

The Idle mode is terminated by interrupt requests from any enabled interrupt source whose individual Interrupt Enable flag was set before the Idle mode was entered.

For a request which was selected for CPU interrupt service, the associated interrupt service routine is entered if the priority level of the requesting source is higher than the current CPU priority and the interrupt system is globally enabled. After the RETI (Return from Interrupt) instruction of the interrupt service routine is executed, the CPU continues normal program execution with the instruction following the IDLE instruction. Otherwise, if the interrupt request can not be serviced because of a too low priority or a globally disabled interrupt system, the CPU immediately resumes normal program execution with the instruction following the IDLE instruction.

For a request which was programmed for PEC service, a PEC data transfer is performed if the priority level of this request is higher than the current CPU priority and the interrupt system is globally enabled. After the PEC data transfer has been completed, the CPU returns into Idle mode. Otherwise, if the PEC request can not be serviced because of a too low priority or a globally disabled interrupt system, the CPU does not return to Idle mode but restarts normal program execution with the instruction following the IDLE instruction.

The Idle mode can also be terminated by a Non-Maskable Interrupt through a high to low transition on the NMI# pin. After the Idle mode has been terminated by an interrupt or NMI request, the interrupt system performs a round of prioritization to determine the highest priority request. In the case of an NMI request, the NMI trap will always be entered.

Any interrupt request whose individual Interrupt Enable flag was set before the Idle mode was entered will terminate the Idle mode regardless of the current CPU priority. The CPU will NOT go back into Idle mode when a CPU interrupt request is detected, even when the interrupt was not serviced because of a higher CPU priority or a globally disabled interrupt system (IEN = 0). The CPU will ONLY go back into Idle mode when the interrupt system is globally enabled (IEN = 1) AND a PEC service on a priority level higher than the current CPU level is requested and executed.

The Watchdog Timer may be used for monitoring the Idle mode: an internal reset will be generated if no interrupt or NMI request occurs before the Watchdog Timer overflows. To prevent the Watchdog Timer from overflowing during Idle mode, it must be programmed to a reasonable time interval before the Idle mode is entered.

12.3 Status of Output Pins during Idle and Power Down Mode

During **Idle mode**, the CPU clocks are turned off, while all peripherals continue their operation in the normal way. Therefore, all ports pins which are configured as general purpose output pins output the last data value which was written to their port output latches. If the alternate output function of a port pin is used by a peripheral, the state of the pin is determined by the operation of the peripheral (Port 2, Port 3). In particular, if CLKOUT, the alternate output function of P3.15, has been enabled, it is also active during Idle mode.

Port pins which are used for bus control functions go into that state which represents the inactive state of the respective function (WR#), or to a defined state which is based on the last bus access (BHE#). Pins which are dedicated for bus control functions are also held in the inactive state (ALE, RD#). Port pins which are used as external address/data bus hold the address/data which was output during the last external memory access before entry into Idle mode under the following conditions:

- On P0[15:8], Port 0 outputs the high byte of the last transferred address if the 16/18-bit address, 8-bit data, multiplexed bus mode is used, otherwise all pins of Port 0 are floating. Pins P0[7:0] are always floating in Idle mode.
- Port 1 floats if the non-multiplexed bus mode is used, otherwise Port 1 acts as a general purpose I/O port.
- Port 4 outputs the segment address for the last access if segmentation is enabled, otherwise Port 4 acts as a general purpose I/O port.

During **Power Down mode**, the clocks to the CPU and to the peripherals are turned off. In the SAB 80C166, the oscillator is completely switched off. Like in Idle mode, all port pins which are configured as general purpose output pins output the last data value which was written to their port output latches.

When the alternate output function of a port pin is used by a peripheral, the state of this pin is determined by the last action of the peripheral before the clocks were switched off. In particular, if CLKOUT, the alternate output function of P3.15, had been enabled, it is not active during Power Down mode.

All external bus actions are completed before Idle or Power Down mode is entered. However, Idle or Power Down modes can NOT be entered if READY# is enabled, but has not been deasserted during the last bus access.

The following table 12.1 presents a summary of the state of all SAB 80C166 output pins during Idle and Power Down modes.

Power Reduction Modes

Abbreviations used:

AF	State determined by (last) activity of Alternate Output Function
ADDR_H	Address High Byte
DATA	Data in Port Output Latch
16/8	16/18-bit Address, 8-bit Data, Multiplexed Bus
16 + 16	16/18-bit Address, 16-bit Data, Non-Multiplexed Bus
non-segm	Segmentation Disabled

Table 12.1
Output Pins Status during Idle and Power Down Mode

Outputs	Idle Mode		Power Down Mode	
	NO external bus enabled	external bus enabled	NO external bus enabled	external bus enabled
ALE	L	L	L	L
RD#	H	H	H	H
Port0				
7:0	DATA	FLOAT	DATA	FLOAT
15:8	DATA	last ADDR_H (16/8) FLOAT otherwise	DATA	last ADDR_H (16/8) FLOAT otherwise
Port1	DATA	last ADDR (16 + 16) DATA otherwise	DATA	last ADDR (16 + 16) DATA otherwise
Port2	DATA/AF	DATA / AF	DATA/AF	DATA/last AF
Port3	DATA/AF	DATA / AF	DATA/AF	DATA/last AF
BHE#/P3.12	DATA	L or H	DATA	L or H
WR#/P3.13	DATA	H	DATA	H
CLKOUT/P3.15 (if enabled)	active	active	L	L
Port4	DATA	DATA (non-segm) last ADDR otherwise	DATA	DATA (non-segm) last ADDR otherwise
RSTOUT#	1)	1)	1)	1)

1) L if IDLE or PWRDN executed before EINIT, otherwise H

13 System Programming

To aid in software development, a number of features has been incorporated into the instruction set of the SAB 80C166. These include constructs for modularity, loops, and context switching. In many cases, commonly used instruction sequences have been simplified while providing greater flexibility. The following sections cover programming features and implementations to fully utilize this instruction set.

13.1 Instructions Provided as Subsets of Instructions

In many cases, instructions found in other microcontrollers are provided as subsets of more powerful instructions in the SAB 80C166. This allows the same functionality to be provided while decreasing the hardware required and decreasing decode complexity. In order to aid assembly programming, these instructions, familiar from other microcontrollers, can be built in macros. The following subsections describe methods of providing the function of these common instructions.

13.1.1 Directly Substitutable Instructions

Instructions known from other microcontrollers can be replaced by the following instructions on the SAB 80C166:

Table 13.1
Instruction Equivalents

Other μ C		SAB 80C166		Function
CLR	Rn	AND	Rn, #0h	Clear Register
CPLB	Bit	BMOVN	Bit, Bit	Complement Bit
DEC	Rn	SUB	Rn, #1h	Decrement Register
INC	Rn	ADD	Rn, #1h	Increment Register
SWAPB	Rn	ROR	Rn, #8h	Swap Bytes in Word

13.1.2 Modification of System Flags

All bit and word instructions can access the PSW register. Thus, to set or clear PSW flags, no CLEAR CARRY or ENABLE INTERRUPTS instruction is required. These functions are performed using bit set or clear (BSET, BCLR) instructions.

13.1.3 External Memory Data Access

By providing a Von-Neumann memory architecture and by providing hardware to detect access to internal RAM, GPRs, and SFRs, special instructions are not required to load data pointers or explicitly load and store external data. See chapter 6 for a detailed description of data addressing modes.

13.2 Multiplication and Division

Multiplication and division of words and double words is provided through multiple cycle instructions implementing a Booth algorithm. Each instruction implicitly uses the 32-bit MD register (MDL-low 16 bits, MDH-high 16 bits). Whenever either half of this register is written into, the MDRIU flag (Multiply or Divide Register In Use) in the MDC register is set. It is cleared whenever the MDL register is read. Because an interrupt can be acknowledged before the MD register contents are saved, this flag is required to alert interrupt routines (which require the use of the multiply/divide hardware) of state preserved in the MD register. This register, however, must only be saved when an interrupt routine requires use of the MD register and a previous task has not saved the current result. This flag is easily tested by the Jump-on-Bit-instructions.

Multiplication is simply performed by specifying the correct signed or unsigned version of the instruction. The result is then stored in the MD register. The overflow flag (V) is set if the result from a multiply or divide instruction is greater than 16 bits. This flag can then be used to determine whether both word halves of the MD register must be transferred from the MD register. One must first move the high portion of the MD register into the register file or memory to ensure that the MDRIU flag reflects the correct state.

The following instruction sequence performs an unsigned 16 by 16-bit multiplication:

```

SAVE:      JNB      MDRIU, START      ; Test if MD was in use.
           SCXT    MDC, #0           ; Save and clear control register
                                           (only required if multiply or divide
                                           instruction was interrupted).
           BSET    SAVED              ; Save indication of stored state.
           PUSH   MDH                ; Save previous MD contents
           PUSH   MDL                ; on system stack.
    
```

Note: The above save sequence and the restore sequence after COPYL are only required if the current routine could have interrupted a previous routine which contained a MUL or DIV instruction. The MDC register is also saved because it is possible that a previous routine's Multiply or Divide instruction was interrupted while in progress. In this case the information about how to restart the instruction is contained in this register. The MDC register must be cleared to be correctly initialized for a subsequent multiplication or division.


```

START:   MULUR 1, R2           ; Multiply 16 · 16 unsigned, Sets MDRIV
         JNB   V, COPYL       ; Test for only 16-bit result.
         MOV   R3, MDH        ; Move high portion of MD.
COPYL:   MOV   R4, MDL        ; Move low portion of MD, Clears MDRIV
RESTORE: JNB   SAVED, DONE    ; Test if MD registers were saved.
         POP   MDL            ; Restore registers.
         POP   MDH
         POP   MDC
DONE:                                         ; any instruction
    
```

To perform division, the user must first move the dividend into the MD register. If a 16/16-bit division is specified, only the low portion of the MD register must be loaded. The result is also stored in the MD register. The low portion of the MD register, MDL, contains the integer result of the division while the high portion of the MD register, MDH, contains the remainder.

The overflow flag V is set if the result can not be represented in a word data type. One must first copy the high portion of the MD register result into the register file or memory to ensure that the MDRIU flag is set correctly, but one may write to either half of the MD register to set the MDRIU flag. The following instruction sequence performs a 32 by 16-bit division:

```

         MOV   MDH, R1        ; Move dividend to MD register, Sets MDRIV
         MOV   MDL, R2        ; Move low portion to MD.
         DIV   R3             ; Divide 32/16 signed, R3 holds the divisor.
         JB    V, ERROR       ; Test for divide overflow.
         MOV   R3, MDH        ; Move remainder to R3.
         MOV   R4, MDL        ; Move integer result to R4, Clears MDRIV
    
```

Whenever a multiply or divide instruction is interrupted while in progress, the MULIP flag in the PSW of the interrupting routine is set. When the interrupt routine is exited with the RETI instruction, this bit is implicitly tested before the old PSW is popped from the stack. If MULIP = 1, the interrupted multiply/divide instruction will then be completed after the RETI instruction has been executed.

Interrupt routines which require the use of the multiply/divide hardware MUST first push and then clear the MDC register before starting a multiply/divide operation if a multiply/divide instruction was in progress in the interrupted routine (MULIP = 1). The MDC register holds state of the interrupted multiply/divide instruction which is necessary in order to complete the instruction properly after the RETI instruction. The old MDC contents must be popped from the stack before the RETI instruction is executed.

13.3 BCD Calculations

No direct support for BCD calculations is provided in the SAB 80C166. BCD calculations are performed by converting between BCD data types and binary data types, performing the desired calculations using standard data types. Due to the enhanced performance of division instructions, one can quickly convert from binary to BCD through divisions by 10 of binary data types. Conversion from BCD to binary is enhanced by multiple bit shift instructions. Thus, similar performance is achieved in comparison to instructions which would support BCD data types while no additional hardware is required.

13.4 Stack Operations

Two types of stacks are provided in the SAB 80C166. The first type is used implicitly by the system and is contained in the internal RAM. The second type provides stack access to the user in either the internal or external memory. Both stack types grow from high memory addresses to low memory addresses and are described in the following subsections.

13.4.1 Internal System Stack

A system stack is provided to store return vectors, segment pointers, and processor status for procedures and interrupt routines. A system register, SP, points to the top of the stack. This pointer is decremented when data is pushed onto the stack and incremented when data is popped.

The internal system stack can also be used to temporarily store data between subroutines or tasks. Instructions are provided to push or pop registers on/from the system stack. However, in most cases the register banking scheme provides the best performance for saving state between multiple tasks.

Note: THE SYSTEM STACK PERMITS STORAGE OF WORDS ONLY. Bytes can be stored on the system stack, but must be extended to words first. One must also consider that only even byte addresses can be stored in the SP register (LSB of SP is always '0').

Detection of stack overflow/underflow is supported by two registers, STKOV (Stack Overflow Pointer) and STKUN (Stack Underflow Pointer). Specific system traps (Stack Overflow trap, Stack Underflow trap) will be entered whenever the SP reaches either boundary specified in these pointer registers.

The contents of the Stack Pointer are always compared to the contents of the Overflow register whenever the SP is DECREMENTED either by a Call, Push, or Subtract instruction. An Overflow Trap will be entered when the SP value is less than the value in the Stack Overflow register.

The Stack Pointer value is compared to the contents of the Underflow register whenever the SP is INCREMENTED either by a Return, Pop, or Add instruction. An Underflow Trap will be entered when the SP value is greater than the value in the Stack Underflow register.

When a value is MOVED into the Stack Pointer, NO check against the Overflow/Underflow registers is performed.

13.4.1.1 Use of Stack Underflow/Overflow Registers

In many cases, the user will place a Software Reset (SRST) instruction in the stack underflow and overflow trap service routines indicating a fatal error. However, it is also possible to use the stack underflow and stack overflow registers to cache portions of a larger external stack. This technique places only the portion of the system stack currently being used in the internal memory, thus allowing a greater portion of the internal RAM to be used for program data or register banking.

This basic technique allows data to be pushed until the overflow boundary of the internal stack is reached. At this point a portion of the stacked data must be saved in the external memory to create space for further stack pushes. This is called stack flushing. When executing a number of return or pop instructions, the upper boundary (since the stack empties upward to higher memory locations) is reached. The entries that have been previously saved on the external memory must now be restored. This is called stack filling. Because procedure call instructions do not continue to nest indefinitely and return instructions are interspersed with calls, flushing and filling normally occur very infrequently. If this is not true for a given program environment, this technique should not be used because of the overhead of flushing and filling.

To avoid movement of data that remains internally on the stack during flushing and filling, a circular stack mechanism has been implemented by masking off the higher bits of the stack pointer. Thus, only portions of the internal RAM that are flushed or filled need to be moved. Without this circular stacking, the user would have to move each entry that remained on the stack by the distance of the space being flushed or filled. The circular stack technique requires that the internal stack be one of the following sizes: 32, 64, 128 or 256 words.

When a boundary is reached, the stack underflow or overflow trap is entered where the user moves a predetermined portion of the internal stack to or from the external stack. The amount of data transferred is determined by the average stack space required by routines and the frequency of calls, traps, interrupts, and returns. In most cases, this will be approximately one quarter to one tenth the size of the internal stack. Once the transfer is complete, the boundary pointers are updated to reflect the newly allocated space on the internal stack. Thus, the user is free to write code without concern for the internal stack limits. Only the execution time required by the trap routines is seen by user programs.

Because of circular stacking, data accessed at the boundary limits of the internal stack is accessed as if no boundary existed. When data is pushed beyond the bottom of the internal memory (location FA00h), the data actually is pushed at the top of the allocated stack space (e.g. location FBFEh where 256 words have been allocated for the stack). Thus, the internal access pointer wraps around the internal stack as specified by the stack size in the SYSCON register. The stack pointer always points to the virtual location in the external memory. The boundary pointers, STKOV and STKUN, also point to the external virtual stack locations.

The following procedure is required upon initialization of the controller:

- 1) Specify in the SYSCON register the size of the internal RAM to be dedicated to the system stack.
- 2) Initialize two pointers in the internal data memory which specify the upper and lower boundary of the external stack. These values are then tested in the stack underflow and overflow trap routines.
- 3) Initialize the stack underflow pointer to the bottom of the external stack, and the overflow pointer to the value of the underflow pointer minus the size of the internal stack plus six words (for the reserved space).

Following this procedure, the internal stack will fill until the overflow pointer is reached. After entry to the overflow trap procedure, the top of the stack will be copied out to the external RAM. The internal pointers will then be modified to reflect the newly allocated space. After exiting from the trap procedure, the internal stack will wrap around to the top of the internal stack, and continue to grow until the new value of the stack overflow pointer is reached.

13.4.2 User Stacks

User stacks provide the ability to create task specific data stacks and to off-load data from the system stack. The user may push both bytes and words onto a user stack, but is responsible for using the appropriate instructions when popping data from the specific user stack. No hardware detection of overflow or underflow of a user stack is provided. The following addressing modes allow implementation of user stacks:

Rb, [Rw +] or Rw, [Rw +]:

Post-increment Indirect Addressing: Used to pop one byte or word from a user stack. This mode is only available for MOV instructions, and can specify any GPR as the user stack pointer.

[– Rw], Rb or [– Rw], Rw:

Pre-decrement Indirect Addressing: Used to push one byte or word onto a user stack. This mode is only available for MOV instructions, and can specify any GPR as the user stack pointer.

Rb, [Rw +] or Rw, [Rw +]:

Post-increment Index Register Indirect Addressing: Used to pop one byte or word from a user stack. This mode is available to most instructions, but only GPRs R0-R3 can be specified as the user stack pointer.

13.5 Register Banking

Register banking provides the user with an extremely fast method of switching user context. A single machine cycle instruction saves the old bank and enters a new register bank. Each register bank may assign up to 16 registers. Each register bank should be allocated during coding based on the needs of each task. Once the internal memory has been partitioned into a register bank space, internal stack space, and a global internal memory area, each bank pointer is then assigned. Thus, upon entry to a new task, the appropriate bank pointer is used as the operand of the SCXT (switch context) instruction. Upon exit from a task, a simple POP instruction to the context pointer (CP) restores the previous task's register bank.

13.6 Procedure Call Entry and Exit

To support modular coding, a procedure mechanism is provided to allow coding of frequently used portions of code into subroutines. The CALL and RET instructions store and restore the value of the Instruction Pointer (IP) on the system stack before and after a subroutine is executed. One must also ensure that any data pushed onto the system stack during execution of the subroutine is popped before the RET instruction is executed.

13.6.1 Passing Parameters on the System Stack

Parameters may be passed on the system stack through PUSH instructions before the subroutine is called, and POP instructions during execution of the subroutine. Base plus offset indirect addressing also permits access to parameters without popping these parameters from the stack during execution of the subroutine. Indirect addressing provides a mechanism of accessing data referenced by data pointers which are passed to the subroutine.

In addition, two instructions have been implemented to allow one parameter to be passed on the system stack without additional software overhead.

The PCALL (push and call) instruction first pushes the 'reg' operand and the IP contents on the system stack and then passes control to the subroutine specified by the 'caddr' operand.

When exiting from the subroutine, the RETP (return and pop) instruction first pops the IP and then the 'reg' operand from the system stack and returns to the calling program.

13.6.2 Cross Segment Subroutine Calls

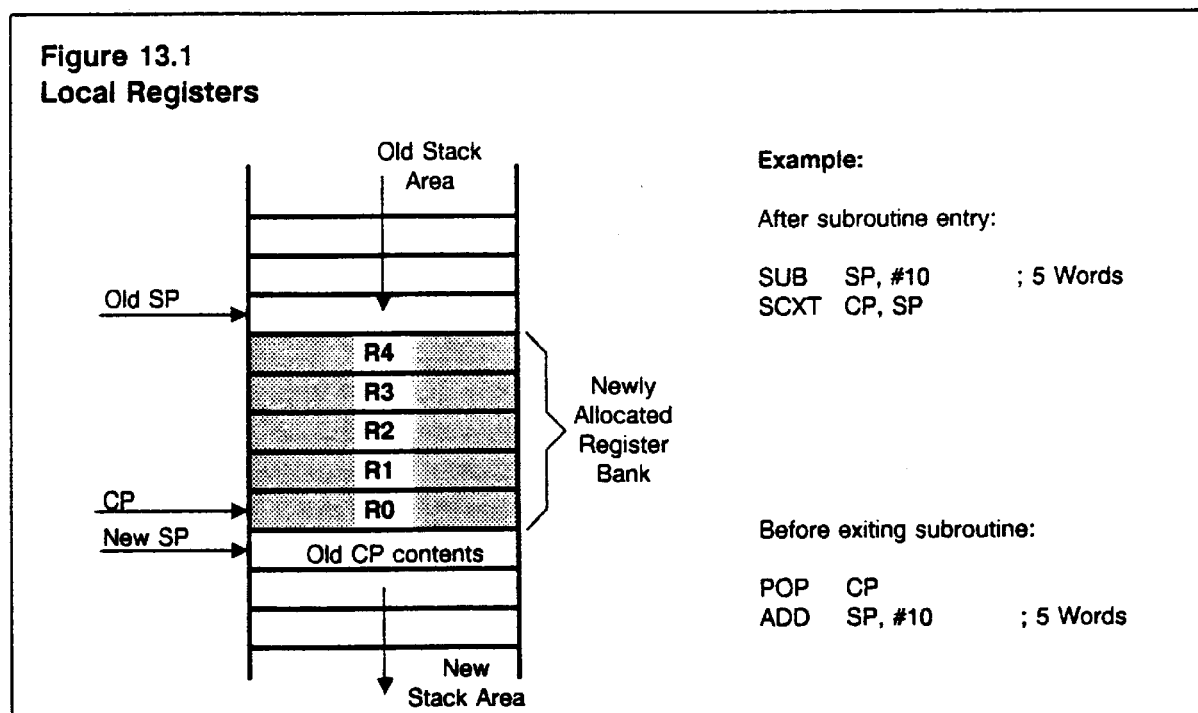
Calls to subroutines in different segments require use of the CALLS (call inter-segment subroutine) instruction. This instruction preserves both the CSP (code segment pointer) and IP on the system stack.

Upon return from the subroutine, a RETS (return from inter-segment subroutine) instruction must be used to restore both the CSP and IP. This ensures that the next instruction after the CALLS instruction is fetched from the correct segment. It is possible to use CALLS within the same segment, but two words of the stack are still used to store both the IP and CSP.

13.6.3 Providing Local Registers for Subroutines

For subroutines which require local storage, the following methods are provided:

- **Alternate Bank of Registers:** Upon entry to a subroutine, it is possible to specify a new set of local registers by executing a SCXT (switch context) instruction. This mechanism does not provide a method to recursively call a subroutine.
- **Saving and Restoring of Registers:** To provide local registers, one can push the contents of the registers which are required for use by the subroutine, and pop the previous values before returning to the calling routine. This is the most common technique used today and it does provide a mechanism to support recursive procedures. This method, however, requires two machine cycles per register stored on the system stack (one cycle to PUSH the register, and one to POP the register).
- **Use of the System Stack for Local Registers:** It is possible to use the SP and CP to set up local subroutine register frames. This allows subroutines to dynamically allocate local variables as needed in two machine cycles. To allocate a local frame one simply subtracts the number of required local registers from the SP, and then moves the



value of the new SP to the CP. This operation is supported through the SCXT (switch context) instruction with the addressing mode 'reg, mem'. Using this instruction one can save the old contents of the CP on the system stack and move the value of the SP into CP (see example in figure 13.1). Each local register is then accessed as if it was a normal register. Note that the system stack is growing downwards, while the register bank is growing upwards.

Upon exit from the subroutine, one first restores the old CP by popping it from the stack, and then simply adds the number of local registers used to the SP to restore the allocated local space back to the system stack.

13.7 Table Searching

A number of features have been included to decrease the execution time required to search tables. First, branch delays are eliminated after the first iteration of the loop. Second, in non-sequentially searched tables, the enhanced performance of the ALU allows more complicated hash algorithms to be processed to obtain better table distribution. For sequentially searched tables, the auto-increment indirect addressing mode and the E (end of table) flag stored in the PSW decrease the number of overhead instructions executed in the loop. Below, two examples illustrate searching ordered tables and non-ordered tables, respectively:

```

MOV      R0, #BASE      ; Move table base into R0.
LOOP:    CMP      R1, [R0 +] ; Compare target to table entry.
        JMPA     cc__SGT, LOOP ; Test whether target has not been found.
    
```

Note: The last entry in the table must be greater than the largest possible target.

```

MOV      R0, #BASE      ; Move table base into R0.
LOOP:    CMP      R1, [R0 +] ; Compare target to table entry.
        JMPA     cc__NET, LOOP ; Test whether target is not found AND the
                                end of table has not been reached.
    
```

Note: The last entry in the table must be equal to the lowest signed integer (8000h).

13.8 Peripheral Control and Interface

All communication between peripherals and the CPU is performed either by PEC transfers to and from the internal memory, or by explicitly addressing the SFRs associated with the specific peripherals. After resetting the SAB 80C166, all peripherals (except Watchdog Timer) are disabled and initialized to default values. To program a desired configuration of a specific peripheral, one uses MOV instructions of either constants or memory values to specific SFRs. One can also alter specific control flags through bit instructions.

Once in operation, the peripheral operates autonomously until an end condition is reached at which time it requests a PEC transfer or requests CPU servicing through an interrupt routine. One can also poll information from peripherals through read accesses of SFRs or bit operations including branch tests on specific control bits in SFRs. To ensure proper allocation of peripherals among multiple tasks, a portion of the internal memory has been made bit addressable to allow user semaphores. Instructions have also been provided to lock out tasks through software by setting or clearing of user specific bits and conditionally branching based on these specific bits.

It is recommended that fields of bits in control SFRs are updated using the BFLDH and BFLDL instructions to avoid undesired intermediate modes of operation which can occur when AND-OR instruction sequences are used.

13.9 Floating Point Support

All floating point operations are performed using software. Standard multiple precision instructions are used to perform calculations on data types that exceed the size of the ALU. Multiple bit rotate and logic instructions allow easy masking and extracting of portions of floating point numbers.

To decrease the time required to perform floating point operations, two hardware features have been implemented in the core CPU. The first aids in normalizing floating point numbers by indicating the position of the first set bit in a GPR. One can then use this result to rotate the floating point result accordingly. The second feature aids in properly rounding the result of normalized floating point numbers through the overflow (V) flag in the PSW. This flag is set when a one is shifted out of the carry bit. The overflow flag and the carry flag are then used to round the floating point result based on the desired rounding algorithm.

13.10 Trap/Interrupt Entry and Exit

Interrupt routines are entered when a requesting interrupt has a priority higher than the current CPU priority level. Traps are entered regardless of the current CPU priority. When either a trap or interrupt routine is entered, the state of the machine is preserved on the system stack and a branch to the appropriate trap/interrupt vector is made. This sequence is described in detail in chapter 7.

All trap and interrupt routines require use of the RETI (return from interrupt) instruction to exit from the called routine. This instruction restores the system state from the system stack and then branches to the location where the trap or interrupt occurred.

14 Support Tools

A majority of the application areas where the SAB 80C166 will be used is in embedded systems where one has little external control over the internal working of the product. The debugging and testing of the software and hardware in this type of system is normally a difficult and time consuming process. Thorough testing is essential to ensure that the end product performs to the required specifications.

To provide an effective debugging environment, the hardware and software development tools should be easy to use and provide maximum flexibility. The following sections will cover the hardware and software development tools provided with the SAB 80C166.

14.1 Hardware Support

In order to determine that both the hardware and software components of the target system are working, the internal state of the microcontroller must be accessible. A special tool is therefore required to provide the capability of monitoring and controlling the behavior of the microcontroller in a target system. This device, known as an In-Circuit Emulator (ICE), has the function of emulating, in real-time, the execution of an application program and to provide the hardware stimuli characteristics of the microcontroller.

In order for an ICE to be an effective debugging tool, it has useful functions for both hardware and software development. These functions include the following:

- **Real-Time:** In order to test under real conditions, the emulator executes the application program in the target system. The operation will be done in real-time with the target systems original clock, without adding wait states due to emulator functions.
- **Memory:** The full compliment of 256 Kbytes of ICE memory will be supported.
- **Host Link:** Since the software will change many times during the program development phase, an efficient means of downloading and uploading from/to the host will be supported. This provides the ability of changing program or data memory to accommodate specific test situations.
- **Trigger Conditions:** In order to allow the user to control the execution of the target system, a flexible means of specifying the trace and breakpoint triggers will be provided. Trigger conditions for both tracing and halting execution will include: IP addresses, IP ranges, opcode values, operation results, and operand addresses. Because the system hardware signals may be asynchronous to the execution of software, some problems may occur as a result of a complicated series of events. As a result, the ICE will provide the capability of setting breakpoints based on a series of events (conditional arming).
- **Tracing:** Having a history of operations which proceed a break is useful in finding bugs in hardware and software. A trace buffer for capturing important trace information in real-time will be supported. This trace information includes: IP addresses, opcode values, operand addresses, operation results, and data values. In addition, it will provide trace on and trace off capability to allow tracing of only selected portions of code executed during emulation.

- **Single Step:** The ability to single step the target through the execution of a single instruction or HLL (High Level Language) statement will be provided.
- **Counter Value:** A counter will be provided which can be used in conjunction with the triggering conditions to count events. The counter will also have the ability to trigger a trace or a break after a specified count has been reached.
- **Symbolic debugging:** The ability to reference alphanumeric symbols instead of absolute addresses will be provided. This increases programming efficiency by allowing the programmer to refer to names instead of physical addresses.

To aid in producing an emulator that supports the above set of functions, a bond-out version of the SAB 80C166 will be provided. To further enhance emulation and testing, the majority of the internal system state has been placed in special function registers which are visible to the debugging tools.

14.2 Software Support

Initially, three major software tools will be offered to support the SAB 80C166. These are: the assembler package, the 'C' compiler, and the simulator package.

All software tools are written in standard 'C', so they can be easily ported to a variety of hosts.

14.2.1 Assembler Package

The assembler package includes a macro-assembler, a linker, a locator a library manager and an object-to-hex-converter. The macro-assembler is a full featured assembler which contains features such as: generating relocatable code, supporting macros with optional parameters, supporting conditional assembly, supporting program modules and data classes, generating optional listing, cross-reference and symbol table outputs, generating object file with all information for use by other tools (i.e. symbology with typing, data classes, modules, etc.).

The Linker will allow relocatable object modules to be connected together into a larger relocatable module. In addition, it will resolve any external references between the smaller modules as far as possible. Any unresolved references will be searched for in a specified library. Multiple or nested linking operations will be possible.

The Locator will allow a relocatable code to be given absolute addresses. This allows the user to then load absolute code into the simulator or emulator environments. The Locator can optionally be directed to place classes of data in specified areas of memory. In this way, the Locator can help with the ordering of individual data segments in memory.

The Library Manager allows one to build and maintain libraries of relocatable object modules.

14.2.2 'C' Compiler

The 'C' compiler will implement the standard 'C' language with additional support for certain specific internal features of the SAB 80C166. It will allow for different configurations of memory usage including 'single chip' applications. In addition, the output will be assembler code with symbols, line numbers and module names included for symbolic and high level language debugging. This assembler output can then be translated to a relocatable object code, which can then be linked and located by the tools provided with the assembler package. In addition, the object code can be linked together with the object modules generated by the assembler. Optional optimizers can be invoked to provide either code density or execution speed optimization.

14.2.3 Simulator Package

A software simulator will also be provided for users who would like to develop and debug software for the SAB 80C166 before their hardware is developed. This allows one to not only debug software, but to determine the amount of time required for a piece of code to execute. The simulator will provide the ability to control and monitor the execution of the software through the use of triggering conditions. These triggering conditions are the same as those provided for the ICE. In fact, in order to provide a smooth transition from the simulator to the ICE environment, the same user interface will also be provided with the ICE.

14.3 Hosts

All tools will initially be supported on 'standard' PCs under DOS. Future versions will be supported and on the VAX computer under VMS (except ICE).

B SAB 80C166 Registers

This part of the Appendix contains a summary of all registers incorporated in the SAB 80C166. Section B.1 lists all CPU General Purpose Registers. In Section B.2, all SAB 80C166 Specific Special Function Registers are summarized and ordered by address, while Section B.3 lists all Special Function Registers in alphabetical order.

B.1 CPU General Purpose Registers (GPRs)

CPU General Purpose Registers are accessed via the Context Pointer (CP). The Context Pointer must be programmed such that the accessed GPRs are always located in the internal RAM space. All GPRs are bit addressable.

B.1.1 Word Registers

Name	Physical Address	8-Bit Address	Description	Reset Value
R0	(CP)+0	F0h	CPU General Purpose Register R0	XXXXh
R1	(CP)+2	F1h	CPU General Purpose Register R1	XXXXh
R2	(CP)+4	F2h	CPU General Purpose Register R2	XXXXh
R3	(CP)+6	F3h	CPU General Purpose Register R3	XXXXh
R4	(CP)+8	F4h	CPU General Purpose Register R4	XXXXh
R5	(CP)+10	F5h	CPU General Purpose Register R5	XXXXh
R6	(CP)+12	F6h	CPU General Purpose Register R6	XXXXh
R7	(CP)+14	F7h	CPU General Purpose Register R7	XXXXh
R8	(CP)+16	F8h	CPU General Purpose Register R8	XXXXh
R9	(CP)+18	F9h	CPU General Purpose Register R9	XXXXh
R10	(CP)+20	FAh	CPU General Purpose Register R10	XXXXh
R11	(CP)+22	FBh	CPU General Purpose Register R11	XXXXh
R12	(CP)+24	FCh	CPU General Purpose Register R12	XXXXh
R13	(CP)+26	FDh	CPU General Purpose Register R13	XXXXh
R14	(CP)+28	FEh	CPU General Purpose Register R14	XXXXh
R15	(CP)+30	FFh	CPU General Purpose Register R15	XXXXh

B.1.2 Byte Registers

Name	Physical Address	8-Bit Address	Description	Reset Value
RL0	(CP)+0	F0h	CPU General Purpose Register RL0	XXh
RH0	(CP)+1	F1h	CPU General Purpose Register RH0	XXh
RL1	(CP)+2	F2h	CPU General Purpose Register RL1	XXh
RH1	(CP)+3	F3h	CPU General Purpose Register RH1	XXh
RL2	(CP)+4	F4h	CPU General Purpose Register RL2	XXh
RH2	(CP)+5	F5h	CPU General Purpose Register RH2	XXh
RL3	(CP)+6	F6h	CPU General Purpose Register RL3	XXh
RH3	(CP)+7	F7h	CPU General Purpose Register RH3	XXh
RL4	(CP)+8	F8h	CPU General Purpose Register RL4	XXh
RH4	(CP)+9	F9h	CPU General Purpose Register RH4	XXh
RL5	(CP)+10	FAh	CPU General Purpose Register RL5	XXh
RH5	(CP)+11	FBh	CPU General Purpose Register RH5	XXh
RL6	(CP)+12	FCh	CPU General Purpose Register RL6	XXh
RH6	(CP)+13	FDh	CPU General Purpose Register RH6	XXh
RL7	(CP)+14	FEh	CPU General Purpose Register RL7	XXh
RH7	(CP)+15	FFh	CPU General Purpose Register RH7	XXh

B.2 Special Function Registers - Ordered by Address

B.2.1 Non-Bit Addressable Special Function Registers

Name	Physical Address	8-Bit Address	Description	Reset Value
DPP0	FE00h	00h	CPU Data Page Pointer 0 Register (4 bits)	0000h
DPP1	FE02h	01h	CPU Data Page Pointer 1 Register (4 bits)	0001h
DPP2	FE04h	02h	CPU Data Page Pointer 2 Register (4 bits)	0002h
DPP3	FE06h	03h	CPU Data Page Pointer 3 Register (4 bits)	0003h
CSP	FE08h	04h	CPU Code Segment Pointer Register (2 bits, read only)	0000h
	FE0Ah	05h	(reserved)	
MDH	FE0Ch	06h	CPU Multiply/Divide Register - High Word	0000h
MDL	FE0Eh	07h	CPU Multiply/Divide Register - Low Word	0000h
CP	FE10h	08h	CPU Context Pointer Register	FC00h
SP	FE12h	09h	CPU System Stack Pointer Register	FC00h
STKOV	FE14h	0Ah	CPU Stack Overflow Pointer Register	FA00h
STKUN	FE16h	0Bh	CPU Stack underflow Pointer Register	FC00h
	FE18h	0Ch	(reserved)	
	●	●	●	
	●	●	●	
	FE3Eh	1Fh	(reserved)	
T2	FE40h	20h	GPT1 Timer 2 Register	0000h
T3	FE42h	21h	GPT1 Timer 3 Register	0000h
T4	FE44h	22h	GPT1 Timer 4 Register	0000h
T5	FE46h	23h	GPT2 Timer 5 Register	0000h
T6	FE48h	24h	GPT2 Timer 6 Register	0000h
CAPREL	FE4Ah	25h	GPT2 Capture/Reload Register	0000h
	FE4Ch	26h	(reserved)	
	FE4Eh	27h	(reserved)	

Name	Physical Address	8-Bit Address	Description	Reset Value
T0	FE50h	28h	CAPCOM Timer 0 Register	0000h
T1	FE52h	29h	CAPCOM Timer 1 Register	0000h
T0REL	FE54h	2Ah	CAPCOM Timer 0 Reload Register	0000h
T1REL	FE56h	2Bh	CAPCOM Timer 1 Reload Register	0000h
	FE58h	2Ch	(reserved)	
	●	●	●	
	●	●	●	
	FE7Eh	3Fh	(reserved)	
CC0	FE80h	40h	CAPCOM Register 0	0000h
CC1	FE82h	41h	CAPCOM Register 1	0000h
CC2	FE84h	42h	CAPCOM Register 2	0000h
CC3	FE86h	43h	CAPCOM Register 3	0000h
CC4	FE88h	44h	CAPCOM Register 4	0000h
CC5	FE8Ah	45h	CAPCOM Register 5	0000h
CC6	FE8Ch	46h	CAPCOM Register 6	0000h
CC7	FE8Eh	47h	CAPCOM Register 7	0000h
CC8	FE90h	48h	CAPCOM Register 8	0000h
CC9	FE92h	49h	CAPCOM Register 9	0000h
CC10	FE94h	4Ah	CAPCOM Register 10	0000h
CC11	FE96h	4Bh	CAPCOM Register 11	0000h
CC12	FE98h	4Ch	CAPCOM Register 12	0000h
CC13	FE9Ah	4Dh	CAPCOM Register 13	0000h
CC14	FE9Ch	4Eh	CAPCOM Register 14	0000h
CC15	FE9Eh	4Fh	CAPCOM Register 15	0000h

Name	Physical Address	8-Bit Address	Description	Reset Value
ADDAT	FEA0h	50h	A/D converter Result Register	0000h
	FEA2h	51h	(reserved)	
	●	●	●	
	●	●	●	
	FEACh	56h	(reserved)	
WDT	FEAEh	57h	Watchdog Timer Register (read only)	0000h
S0TBUF	FEB0h	58h	Serial Channel 0 Transmit Buffer Register (write only)	0000h
S0RBUF	FEB2h	59h	Serial Channel 0 Receive Buffer Register (read only)	XXXXh
S0BG	FEB4h	5Ah	Serial Channel 0 Baud Rate Generator/Reload Register	0000h
	FEB6h	5Bh	(reserved)	
S1TBUF	FEB8h	5Ch	Serial Channel 1 Transmit Buffer Register	0000h
S1RBUF	FEBAh	5Dh	Serial Channel 1 Receive Buffer Register (read only)	XXXXh
S1BG	FEBCh	5Eh	Serial Channel 1 Baud Rate Generator/Reload Register	0000h
	FEBEh	5Fh	(reserved)	
PECC0	FEC0h	60h	PEC Channel 0 Control Register	0000h
PECC1	FEC2h	61h	PEC Channel 1 Control Register	0000h
PECC2	FEC4h	62h	PEC Channel 2 Control Register	0000h
PECC3	FEC6h	63h	PEC Channel 3 Control Register	0000h
PECC4	FEC8h	64h	PEC Channel 4 Control Register	0000h
PECC5	FECAh	65h	PEC Channel 5 Control Register	0000h
PECC6	FECCh	66h	PEC Channel 6 Control Register	0000h
PECC7	FECEh	67h	PEC Channel 7 Control Register	0000h
	FED0h	68h	(reserved)	
	●	●	●	
	●	●	●	
	FEFEh	7Fh	(reserved)	

B.2.2 Bit Addressable Special Function Registers

Name	Physical Address	8-Bit Address	Description	Reset Value
P0	FF00h	80h	Port 0 Register	0000h
DP0	FF02h	81h	Port 0 Direction Control Register	0000h
P1	FF04h	82h	Port 1 Register	0000h
DP1	FF06h	83h	Port 1 Direction Control Register	0000h
P4	FF08h	84h	Port 4 Register (2 Bits)	0000h
DP4	FF0Ah	85h	Port 4 Direktion Control Register (2 Bits)	0000h
SYSCON	FF0Ch	86h	CPU System Configuration Register * system configuration selected during reset	0XX0h*
MDC	FF0Eh	87h	CPU Multiply/Divide Control Register	0000h
PSW	FF10h	88h	CPU Program Status Word	0000h
	FF12h	89h	(reserved)	
	●	●	●	
	●	●	●	
	FF1Ah	8Dh	(reserved)	
ZERO	FF1Ch	8Eh	Constant Value 0's Register (read only)	0000h
ONES	FF1Eh	8Fh	Constant Value 1's Register (read only)	FFFFh
	FF20h	90h	(reserved)	
	●	●	●	
	●	●	●	
	FF3Eh	9Fh	(reserved)	

Name	Physical Address	8-Bit Address	Description	Reset Value
T2CON	FF40h	A0h	GPT1 Timer 2 Control Register	0000h
T3CON	FF42h	A1h	GPT1 Timer 3 Control Register	0000h
T4CON	FF44h	A2h	GPT1 Timer 4 Control Register	0000h
T5CON	FF46h	A3h	GPT2 Timer 5 Control Register	0000h
T6CON	FF48h	A4h	GPT2 Timer 6 Control Register	0000h
	FF4Ah	A5h	(reserved)	
	FF4Ch	A6h	(reserved)	
	FF4Eh	A7h	(reserved)	
T01CON	FF50h	A8h	CAPCOM Timer 0 and Timer 1 Control	0000h
CCM0	FF52h	A9h	CAPCOM Mode Control Register 0	0000h
CCM1	FF54h	AAh	CAPCOM Mode Control Register 1	0000h
CCM2	FF56h	ABh	CAPCOM Mode Control Register 2	0000h
CCM3	FF58h	ACH	CAPCOM Mode Control Register 3	0000h
	FF5Ah	ADh	(reserved)	
	FF5Ch	Aeh	(reserved)	
	FF5Eh	Afh	(reserved)	
T2IC	FF60h	B0h	GPT1 Timer 2 Interrupt Control Register	0000h
T3IC	FF62h	B1h	GPT1 Timer 3 Interrupt Control Register	0000h
T4IC	FF64h	B2h	GPT1 Timer 4 Interrupt Control Register	0000h
T5IC	FF66h	B3h	GPT2 Timer 5 Interrupt Control Register	0000h
T6IC	FF68h	B4h	GPT2 Timer 6 Interrupt Control Register	0000h
CRIC	FF6Ah	B5h	GPT2 CAPREL Interrupt Control Register	0000h

Name	Physical Address	8-Bit Address	Description	Reset Value
S0TIC	FF6Ch	B6h	Serial Channel 0 Transmit Interrupt Control	0000h
S0RIC	FF6Eh	B7h	Serial Channel 0 Receive Interrupt Control	0000h
S0EIC	FF70h	B8h	Serial Channel 0 Error Interrupt Control Register	0000h
S1TIC	FF72h	B9h	Serial Channel 1 Transmit Interrupt Control	0000h
S1RIC	FF74h	BAh	Serial Channel 1 Receive Interrupt Control	0000h
S1EIC	FF76h	BBh	Serial Channel 1 Error Interrupt Control Register	0000h
CC0IC	FF78h	BC	CAPCOM Register 0 Interrupt Control Register	0000h
CC1IC	FF7Ah	BDh	CAPCOM Register 1 Interrupt Control Register	0000h
CC2IC	FF7Ch	BEh	CAPCOM Register 2 Interrupt Control Register	0000h
CC3IC	FF7Eh	BFh	CAPCOM Register 3 Interrupt Control Register	0000h
CC4IC	FF80h	C0h	CAPCOM Register 4 Interrupt Control Register	0000h
CC5IC	FF82h	C1h	CAPCOM Register 5 Interrupt Control Register	0000h
CC6IC	FF84h	C2h	CAPCOM Register 6 Interrupt Control Register	0000h
CC7IC	FF86h	C3h	CAPCOM Register 7 Interrupt Control Register	0000h
CC8IC	FF88h	C4h	CAPCOM Register 8 Interrupt Control Register	0000h
CC9IC	FF8Ah	C5h	CAPCOM Register 9 Interrupt Control Register	0000h
CC10IC	FF8Ch	C6h	CAPCOM Register 10 Interrupt Control Register	0000h
CC11IC	FF8Eh	C7h	CAPCOM Register 11 Interrupt Control Register	0000h
CC12IC	FF90h	C8h	CAPCOM Register 12 Interrupt Control Register	0000h
CC13IC	FF92h	C9h	CAPCOM Register 13 Interrupt Control Register	0000h
CC14IC	FF94h	CAh	CAPCOM Register 14 Interrupt Control Register	0000h
CC15IC	FF96h	CBh	CAPCOM Register 15 Interrupt Control Register	0000h

Name	Physical Address	8-Bit Address	Description	Reset Value
ADCIC	FF98h	CCh	A/D Converter End of Conversion Interrupt Control Register	0000h
ADEIC	FF9Ah	CDh	A/D Converter Overrun Error Interrupt Control	0000h
T0IC	FF9Ch	CEh	CAPCOM Timer 0 Interrupt Control Register	0000h
T1IC	FF9Eh	CFh	CAPCOM Timer 1 Interrupt Control Register	0000h
ADCON	FFA0h	D0h	A/D Converter Control Register	0000h
P5	FFA2h	D1h	Port 5 Register (10 Bits, read only)	XXXXh
	FFA4h	D2h	(reserved)	
	●	●	●	
	●	●	●	
	FFAAh	D5h	(reserved)	
TFR	FFACh	D6h	Trap Flag Register	0000h
WDTCON	FFAEh	D7h	Watchdog Timer Control Register for Watchdog Timer overflow	0000h 0002h

Name	Physical Address	8-Bit Address	Description	Reset Value
S0CON	FFB0h	D8h	Serial Channel 0 Control Register	0000h
	FFB2h	D9h	(reserved)	
	FFB4h	DAh	(reserved)	
	FFB6h	DBh	(reserved)	
S1CON	FFB8h	DCh	Serial Channel 1 Control Register	0000h
	FFBAh	DDh	(reserved)	
	FFBCh	DEh	(reserved)	
	FFBEh	DFh	(reserved)	
P2	FFC0h	E0h	Port 2 Register	0000h
DP2	FFC2h	E1h	Port 2 Direction Control Register	0000h
P3	FFC4h	E2h	Port 3 Register	0000h
DP3	FFC6h	E3h	Port 3 Direction Control Register	0000h
	FFC8h	E4h	(reserved)	
	●	●	●	
	●	●	●	
	FFDEh	EFh	(reserved)	

B.3 Special Function Registers - Alphabetical Order

The following table lists all SFRs which are implemented in the SAB 80C166 in alphabetical order. Bit addressable SFRs are marked with the letter "b" in column "Name".

Name	Physical Address	8-Bit Address	Description	Reset Value
ADCIC b	FF98h	CCh	A/D Converter End of Conversion Interrupt Control Register	0000h
ADCON b	FFA0h	D0h	A/D Converter Control Register	0000h
ADDAT	FEA0h	50h	A/D Converter Result Register	0000h
ADEIC b	FF9Ah	CDh	A/D Converter Overrun Error Interrupt Control Register	0000h
CAPREL	FE4Ah	25h	GPT2 Capture/Reload Register	0000h
CC0	FE80h	40h	CAPCOM Register 0	0000h
CC0IC b	FF78h	BCh	CAPCOM Register 0 Interrupt Control	0000h
CC1	FE82h	41h	CAPCOM Register 1	0000h
CC1IC b	FF7Ah	BDh	CAPCOM Register 1 Interrupt Control	0000h
CC2	FE84h	42h	CAPCOM Register 2	0000h
CC2IC b	FF7Ch	BEh	CAPCOM Register 2 Interrupt Control	0000h
CC3	FE86h	43h	CAPCOM Register 3	0000h
CC3IC b	FF7Eh	BFh	CAPCOM Register 3 Interrupt Control	0000h
CC4	FE88h	44h	CAPCOM Register 4	0000h
CC4IC b	FF80h	C0h	CAPCOM Register 4 Interrupt Control	0000h

Name	Physical Address	8-Bit Address	Description	Reset Value
CC5	FE8Ah	45h	CAPCOM Register 5	0000h
CC5IC b	FF82h	C1h	CAPCOM Register 5 Interrupt Control	0000h
CC6	FE8Ch	46h	CAPCOM Register 6	0000h
CC6IC b	FF84h	C2h	CAPCOM Register 6 Interrupt Control	0000h
CC7	FE8Eh	47h	CAPCOM Register 7	0000h
CC7IC b	FF86h	C3h	CAPCOM Register 7 Interrupt Control	0000h
CC8	FE90h	48h	CAPCOM Register 8	0000h
CC8IC b	FF88h	C4h	CAPCOM Register 8 Interrupt Control	0000h
CC9	FE92h	49h	CAPCOM Register 9	0000h
CC9IC b	FF8Ah	C5h	CAPCOM Register 9 Interrupt Control	0000h
CC10	FE94h	4Ah	CAPCOM Register 10	0000h
CC10IC b	FF8Ch	C6h	CAPCOM Register 10 Interrupt Control	0000h
CC11	FE96h	4Bh	CAPCOM Register 11	0000h
CC11IC b	FF8Eh	C7h	CAPCOM Register 11 Interrupt Control	0000h
CC12	FE98h	4Ch	CAPCOM Register 12	0000h
CC12IC b	FF90h	C8h	CAPCOM Register 12 Interrupt Control	0000h
CC13	FE9Ah	4Dh	CAPCOM Register 13	0000h
CC13IC b	FF92h	C9h	CAPCOM Register 13 Interrupt Control	0000h

Name	Physical Address	8-Bit Address	Description	Reset Value
CC14	FE9Ch	4Eh	CAPCOM Register 14	0000h
CC14IC b	FF94h	CAh	CAPCOM Register 14 Interrupt Control	0000h
CC15	FE9Eh	4Fh	CAPCOM Register 15	0000h
CC15IC b	FF96h	CBh	CAPCOM Register 15 Interrupt Control	0000h
CCM0 b	FF52h	A9h	CAPCOM Mode Control Register 0	0000h
CCM1 b	FF54h	AAh	CAPCOM Mode Control Register 1	0000h
CCM2 b	FF56h	ABh	CAPCOM Mode Control Register 2	0000h
CCM3 b	FF58h	ACH	CAPCOM Mode Control Register 3	0000h
CP	FE10h	08h	CPU Context Pointer Register	FC00h
CRIC b	FF6Ah	B5h	GPT2 CAPREL Interrupt Control Register	0000h
CSP	FE08h	04h	CPU Code Segment Pointer Register (2 Bits, read only)	0000h
DP0 b	FF02h	81h	Port 0 Direction Control Register	0000h
DP1 b	FF06h	83h	Port 1 Direction Control Register	0000h
DP2 b	FFC2h	E1h	Port 2 Direction Control Register	0000h
DP3 b	FFC6h	E3h	Port 3 Direction Control Register	0000h
DP4 b	FF0Ah	85h	Port 4 Direction Control Register (2 Bits)	0000h
DPP0	FE00h	00h	CPU Data Page Pointer 0 Register (4 Bits)	0000h
DPP1	FE02h	01h	CPU Data Page Pointer 1 Register (4 Bits)	0001h
DPP2	FE04h	02h	CPU Data Page Pointer 2 Register (4 Bits)	0002h
DPP3	FE06h	03h	CPU Data Page Pointer 3 Register (4 Bits)	0003h
MDC b	FE0Eh	87h	CPU Multiply/Divide Control Register	0000h
MDH	FE0Ch	06h	CPU Multiply/Divide Register - High Word	0000h
MDL	FE0Eh	07h	CPU Multiply/Divide Register - Low Word	0000h
ONES b	FF1Eh	8Fh	Constant Value 1's Register (read only)	FFFFh

Name		Physical Address	8-Bit Address	Description	Reset Value
P0	b	FF00h	80h	Port 0 Register	0000h
P1	b	FF04h	82h	Port 1 Register	0000h
P2	b	FFC0h	E0h	Port 2 Register	0000h
P3	b	FFC4h	E2h	Port 3 Register	0000h
P4	b	FF08h	84h	Port 4 Register (2 Bits)	0000h
P5	b	FFA2h	D1h	Port 5 Register (10 Bits, read only)	XXXXh
PECC0		FEC0h	60h	PEC Channel 0 Control Register	0000h
PECC1		FEC2h	61h	PEC Channel 1 Control Register	0000h
PECC2		FEC4h	62h	PEC Channel 2 Control Register	0000h
PECC3		FEC6h	63h	PEC Channel 3 Control Register	0000h
PECC4		FEC8h	64h	PEC Channel 4 Control Register	0000h
PECC5		FECAh	65h	PEC Channel 5 Control Register	0000h
PECC6		FECCh	66h	PEC Channel 6 Control Register	0000h
PECC7		FECEh	67h	PEC Channel 7 Control Register	0000h
PSW	b	FF10h	88h	CPU Program Status Word	0000h
S0BG		FEB4h	5Ah	Serial Channel 0 Baud Rate Generator/ Reload Register	0000h
S0CON	b	FFB0h	D8h	Serial Channel 0 Control Register	0000h
S0EIC	b	FF70h	B8h	Serial Channel 0 Error Interrupt Control	0000h
S0RBUF		FEB2h	59	Serial Channel 0 Receive Buffer Register (read only)	XXXXh
S0RIC	b	FF6Eh	B7h	Serial Channel 0 Receive Interrupt Control	0000h
S0TBUF		FEB0h	58h	Serial Channel 0 Transmit Buffer Register (write only)	0000h
S0TIC	b	FF6Ch	B6h	Serial Channel 0 Transmit Interrupt Control	0000h

Name	Physical Address	8-Bit Address	Description	Reset Value
S1G	FEBCh	5Eh	Serial Channel 1 Baud Rate Generator/ Reload Register	0000h
S1CON b	FFB8h	DCh	Serial Channel 1 Control Register	0000h
S1EIC b	FF76h	BBh	Serial Channel 1 Error Interrupt control	0000h
S1RBUF	FEBAh	5Dh	Serial Channel 1 Receive Buffer Register (read only)	XXXXh
S1RIC b	FF74h	BAh	Serial Channel 1 Receive Interrupt Control	0000h
S1TBUF	FEB8h	5Ch	Serial Channel 1 Transmit Buffer Register (write only)	0000h
S1TIC b	FF72h	B9h	Serial Channel 1 Transmit Interrupt Control	0000h
SP	FE12h	09h	CPU System Stack Pointer Register	FC00h
STKOV	FE14h	0Ah	CPU Stack Overflow Pointer Register	FA00h
STKUN	FE16h	0Bh	CPU Stack Underflow Pointer Register	FC00h
SYSCON b	FF0Ch	86h	CPU System Configuration Register * system configuration selected during reset	0XX0h*
T0	FE50h	28h	CAPCOM Timer 0 Register	0000h
T01CON b	FF50h	A8h	CAPCOM Timer 0 and Timer 1 Control	0000h
T0IC b	FF9Ch	CEh	CAPCOM Timer 0 Interrupt Control Register	0000h
T0REL	FE54h	2Ah	CAPCOM Timer 0 Reload Register	0000h
T1	FE52h	29h	CAPCOM Timer 1 Reload Register	0000h
T1IC b	FF9Eh	CFh	CAPCOM Timer 1 Interrupt Control Register	0000h
T1REL	FE56h	2Bh	CAPCOM Timer 1 Reload Register	0000h

Name	Physical Address	8-Bit Address	Description	Reset Value
T2	FE40h	20h	GPT1 Timer 2 Register	0000h
T2CON b	FF40h	A0h	GPT1 Timer 2 Control Register	0000h
T2IC b	FF60h	B0h	GPT1 Timer 2 Interrupt Control Register	0000h
T3	FE42h	21h	GPT1 Timer 3 Register	0000h
T3CON b	FF42h	A1h	GPT1 Timer 3 Control Register	0000h
T3IC b	FF62h	B1h	GPT1 Timer 3 Interrupt Control Register	0000h
T4	FE44h	22h	GPT1 Timer 4 Register	0000h
T4CON b	FF44h	A2h	GPT1 Timer 4 Control Register	0000h
T4IC b	FF64h	B2h	GPT1 Timer 4 Interrupt Control Register	0000h
T5	FE46h	23h	GPT2 Timer 5 Register	0000h
T5CON b	FF46h	A3h	GPT2 Timer 5 Control Register	0000h
T5IC b	FF66h	B3h	GPT2 Timer 5 Interrupt Control Register	0000h
T6	FE48h	24h	GPT2 Timer 6 Register	0000h
T6CON b	FF48h	A4h	GPT2 Timer 6 Control Register	0000h
T6IC b	FF68h	B4h	GPT2 Timer 6 Interrupt Control Register	0000h
TFR b	FFACh	D6h	Trap Flag Register	0000h
WDT	FEAEh	57h	Watchdog Timer Register (read only)	0000h
WDTCON b	FFAEh	D7h	Watchdog Timer Control Register for Watchdog Timer overflow	0000h 0002h
ZEROS b	FF1Ch	8Eh	Constant Value 0's Register (read only)	0000h

C Application Examples

This portion of the appendix is subdivided into two sections. Section C.1 shows examples for the use of different types of memories connected to the SAB 80C166 in different external bus configurations. Section C.2 contains formulas, tables and examples for programming the SAB 80C166 wait states described in detail in section 9.7.

C.1 External Bus and Memory Configurations

A description of the possible SAB 80C166 external bus configuration modes which are determined by the state of the EBC1 and EBC0 input pins during reset can be found in chapter 9.0. Note that the following examples refer to the non-segmented memory model which supports only 64 Kbytes of memory space. Thus, port pins P4.1 and P4.0 are not required as an output of additional segment address bits (A17 and A16).

1) 16-bit Addresses, 8-bit Data, Multiplexed Bus

(External RAM/ROM: Byte-Organized Memories)

This configuration is shown in figure C.1. An external byte-organized memory is implemented by a 32K*8 EPROM and an 8K*8 RAM. The connected external bus is used for both 16-bit addresses and 8-bit data. Because of time-multiplexing, an external address latch is required for the lower byte of the address.

2) 6-bit Addresses, 16-bit Data, Multiplexed Bus

(External RAM/ROM: Byte-Organized Memories)

This configuration is shown in figure C.2. The external memory is implemented by two 16K*8 EPROMs and by two 2K*8 RAMs. The connected external bus is used for both 16-bit addresses and 16-bit data. Because of time-multiplexing, two external address latches are required. The EPROMs can only be accessed wordwise, while the RAMs can also be accessed byte-wise, provided that the function of the BHE# output pin is not disabled. In this case, the address signal A0 selects the lower byte memory and the active low BHE# signal selects the upper byte memory.

3) 16-bit Addresses, 16-bit Data, Multiplexed Bus

(External RAM/ROM: Word-Organized Memories)

This configuration is shown in figure C.3. Except that the available RAM space is doubled and that two byte-organized memories are replaced by one word-organized memory, this configuration is identical to the example shown in figure C.2.

4) 16-bit Addresses, 16-bit Data, Non-Multiplexed Buses

(External RAM/ROM: Byte-Organized Memories)

This configuration is shown in figure C.4. The external memory is implemented by two 16K*8 EPROMs and by two 2K*8 RAMs. Because two separate 16-bit data- and 16-bit address buses are used, no external address latch is required. The EPROMs can only be accessed wordwise, while the RAMs can also be accessed byte-wise, provided that the function of the BHE# output pin is not disabled. In this case, the address signal A0 selects the lower byte memory and the active low BHE# signal selects the upper byte memory.

5) 16-bit Addresses, 16-bit Data, Non-Multiplexed Buses

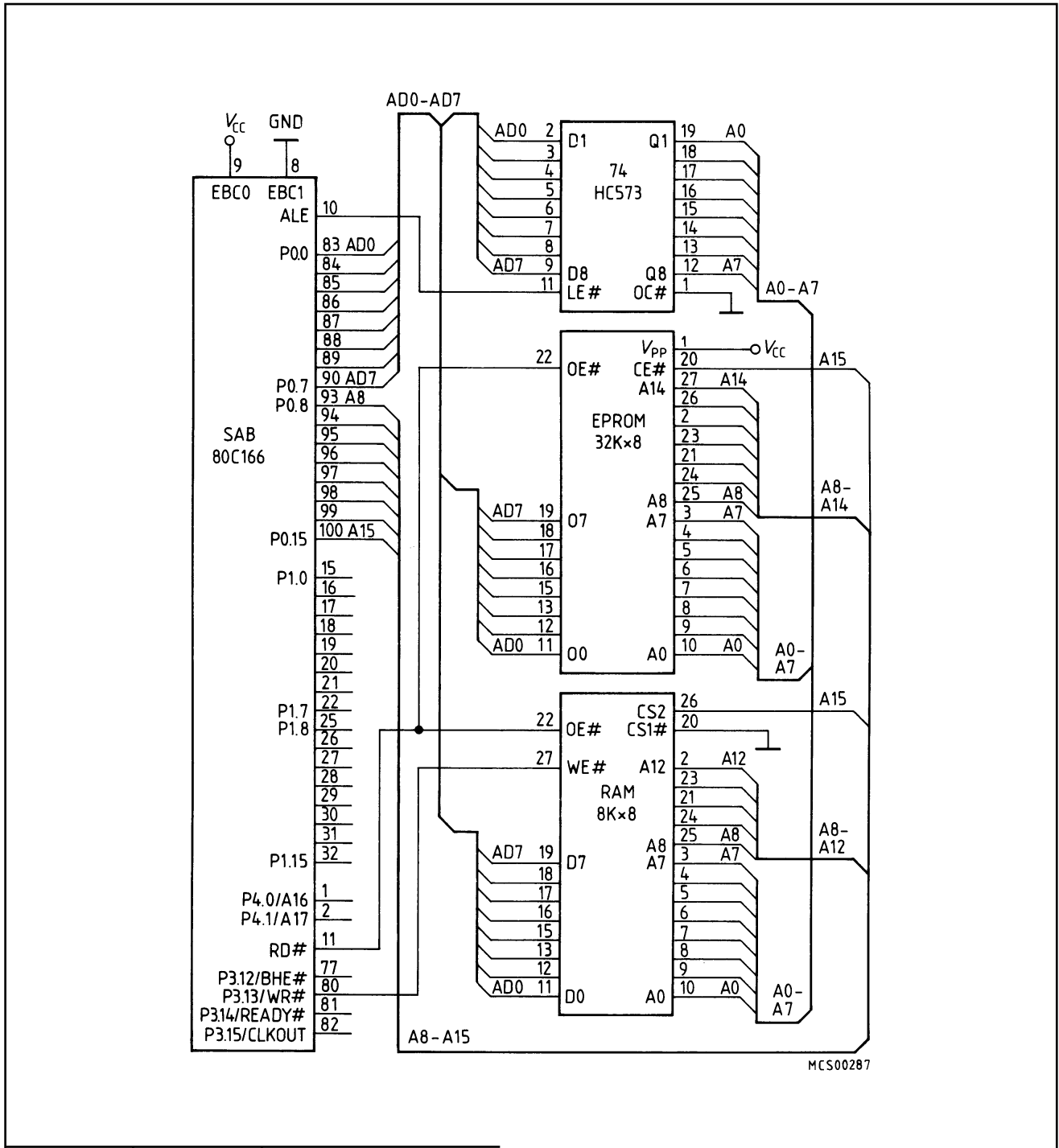
(External RAM/ROM: Word-Organized Memories)

This configuration is shown in figure C.5. Except that the available RAM space is doubled and that two byte-organized memories are replaced by one word-organized memory, this configuration is identical to the example shown in figure C.4.

6) 16-bit Addresses, 16-bit Data, Non-Multiplexed Buses

(External RAM/ROM: Both Word- and Byte-Organized Memories)

This configuration is shown in figure C.6. The external memory is implemented by one 16K*16 EPROM and by two 8K*8 RAMs. Because two separate 16-bit data- and 16-bit address buses are used, no external address latch is required. The EPROM can only be accessed wordwise, while the RAMs can also be accessed byte-wise, provided that the function of the BHE# output pin is not disabled. In this case, the address signal A0 selects the lower byte memory and the active low BHE# signal selects the upper byte memory.



Memory	Config.	Address Range
EPROM	32K * 8	0h...7FFFh
RAM	8K * 8	8000h...9FFFh

Figure C.1
16-bit Addresses, 8-bit Data, Multiplexed Bus
 (External RAM/ROM: Byte-Organized Memories)

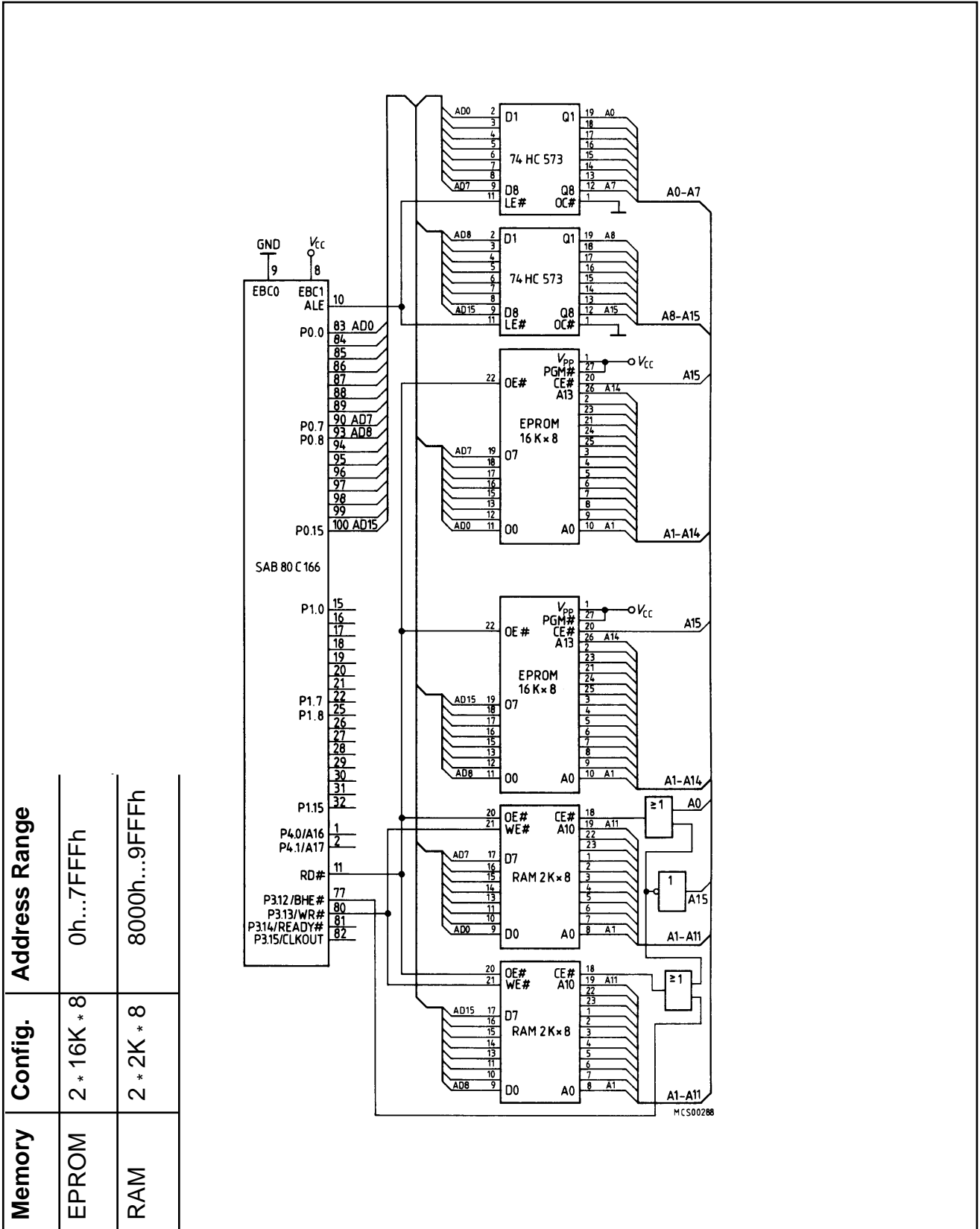
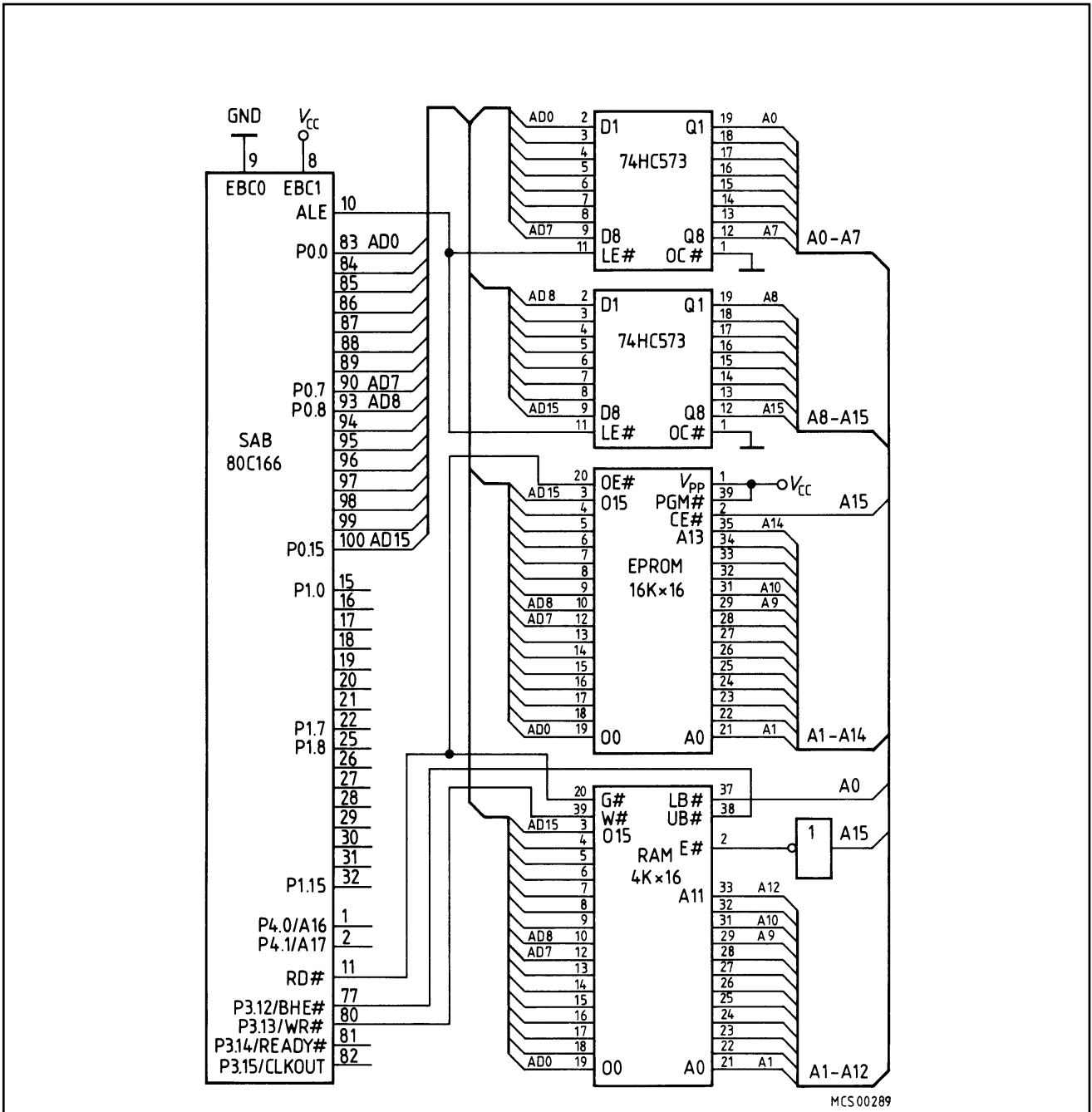


Figure C.2
16-bit Addresses, 16-bit Data, Multiplexed Bus
 (External RAM/ROM: Byte-Organized Memories)



MCS 00289

Memory	Config.	Address Range
EPROM	16K * 16	0h...7FFFh
RAM	4K * 16	8000h...9FFFh

Figure C.3
16-bit Addresses, 16-bit Data, Multiplexed Bus
 (External RAM/ROM: Word-Organized Memories)

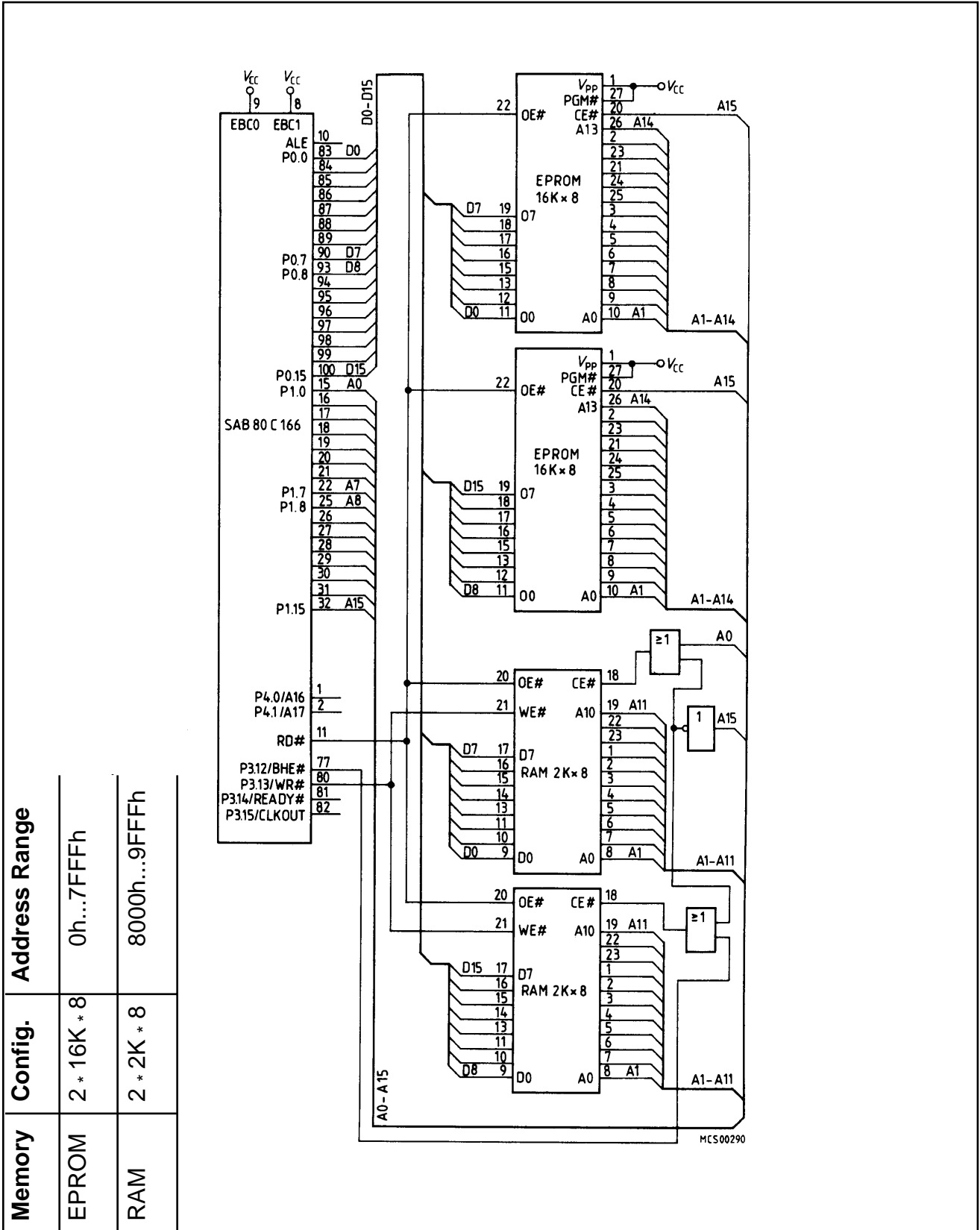
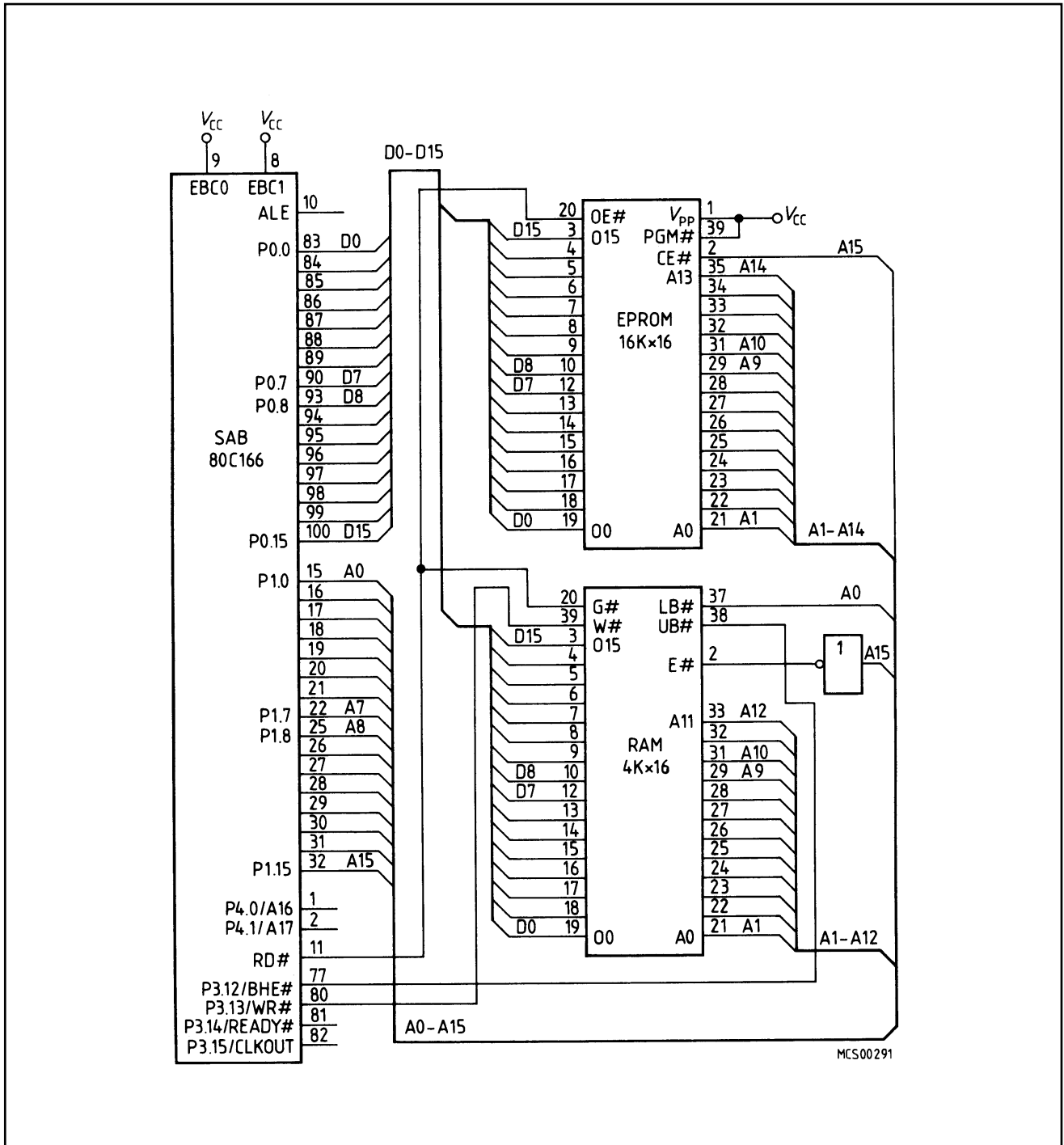
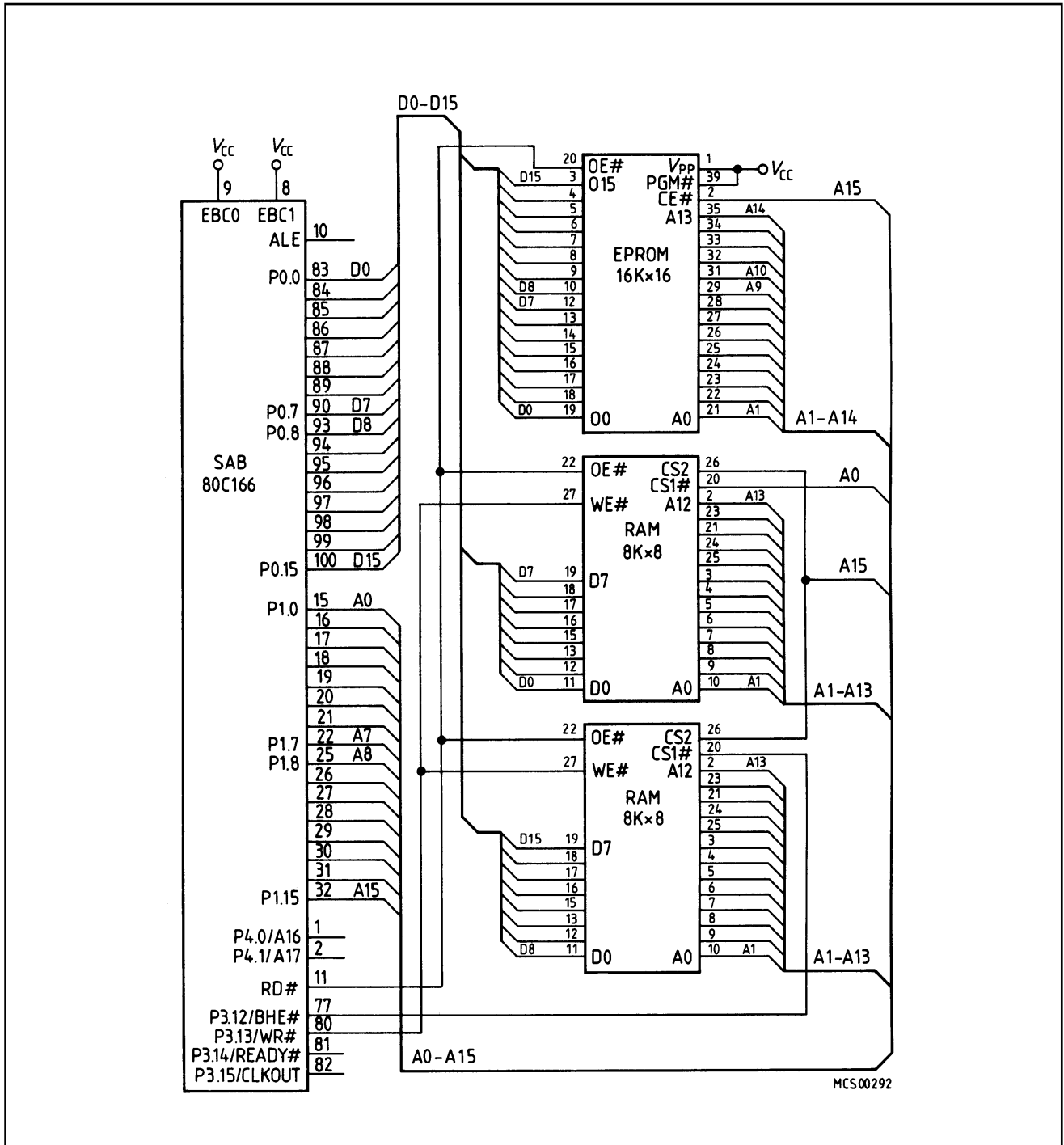


Figure C.4
16-bit Addresses, 16-bit Data, Non-Multiplexed Buses
 (External RAM/ROM: Byte-Organized Memories)



MCS00291

Figure C.5
16-bit Addresses, 16-bit Data, Non-Multiplexed Buses
 (External RAM/ROM: Word-Organized Memories)



MCS00292

Figure C.6
16-bit Addresses, 16-bit Data, Non-Multiplexed Buses
 (External RAM/ROM: Word- and Byte-Organized Memories)

C.2 Calculation of the User Selectable Bus Timing Parameters

This section provides tables which ease the calculation of the number of the SAB 80C166's wait states which must be programmed into the MCTC bit field and/or MTTC bit of the SYSCON register to match the external memory timing specifications.

The following particular memory accesses are considered in this section:

- 1) **Memory Read via a Multiplexed Bus with Read/Write Delay**
- 2) **Memory Write via a Multiplexed Bus with Read/Write Delay**
- 3) **Memory Read via a Non-Multiplexed Bus with Read/Write Delay**
- 4) **Memory Write via a Non-Multiplexed Bus with Read/Write Delay**

Two types of tables exist for each of these memory accesses. The tables signified by an extension '.a' contain formulas for the determination of both the maximum values of particular timing parameters at given numbers of wait states and of the numbers of required wait states at given timing parameter values. These tables consist of columns, as follows:

- **Symbol:** Specifies commonly used symbols of the particular timing parameters.
- **Meaning:** Provides a short explanation of the symbolic timing parameters.
- **40 MHz Clock:** Specifies formulas to be used at a fixed oscillator frequency of 40 MHz.
- **Variable Timing:** Specifies formulas to be used at a variable oscillator frequency.

Other so called 'Quick Tables', signified by an extension '.b', contain results calculated by inserting typical values into the formulas represented in the corresponding table '.a'.

The required numbers of wait states are specified in all subsequent tables by symbols, as follows:

For memory read accesses:

- n1:** Number of wait states required to match 'Address to Valid Data In Time'
 $0 \leq n1 \leq 15$; n1 integer
- n2:** Number of wait states required to match 'RD# to Valid Data In Time'
 $0 \leq n2 \leq 15$; n2 integer
- n3:** Number of wait states required to match 'Data Float After RD# Time'
 $0 \leq n3 \leq 1$; n3 integer
- n:** Total number of resulting waitstates
 $n = \max\{n1, n2\} + n3$

For memory write accesses:

- n1:** Number of wait states required to match 'Write Pulse Low Time'
 $0 \leq n1 \leq 15$; n1 integer
- n2:** Number of wait states required to match 'Data Valid to WR# Time'
 $0 \leq n2 \leq 15$; n2 integer
- n:** Total number of resulting wait states required
 $n = \max\{n1, n2\}$

Note: The SAB 80C166's wait states can be programmed in increments of one. To get the number of required wait states to be programmed, any value (n1, n2, n3) calculated by means of the formulas in tables '.a' must be rounded up to the next integer value (e.g. 1.2 \rightarrow 2). If a calculation already supplies an integer result (e.g. 1.0), one has to perform a worst case evaluation of the selected application (signal delays, etc.) to decide whether an additional waitstate must be considered or not. If wait state calculations supply different values for the same programmable parameter, the worst case (maximum) value must always be considered. Then the SYSCON register has to be programmed, as follows:

MTTC:1 - n3

MCTC:15 - max{n1, n2}

Note: For some memories, the Chip Select Time (t_{CS}) may be as long as the Address to Valid Data In Time (t_{acc}). Formulas within this document do not consider any signal delay caused by the chip selecting logic.

All times are specified in nanoseconds [ns], unless noted otherwise.

Table C.1a
Multiplexed Memory Read with Read/Write Delay

Symbol	Meaning	40 MHz Clock	Variable Timing
t_{acc}	Address to Valid Data In	$t_{acc} \leq t_{17} + n1 * 50$ $n1 \geq t_{acc}/50 - 1.5$	$t_{acc} \leq 4TCL - 25 + n1 * 2TCL$ $n1 \geq (t_{acc} + 25) / 2TCL - 2$
t_{oe}	RD# to Valid Data In	$t_{oe} \leq t_{14} + n2 * 50$ $n2 \geq t_{oe}/50 - 0.7$	$t_{oe} \leq 2TCL - 15 + n2 * 2TCL$ $n2 \geq (t_{oe} + 15) / 2TCL - 1$
t_{df}	Data Float after RD#	$t_{df} \leq t_{19} + n3 * 50$ $n3 \geq t_{df}/50 - 0.7$	$t_{df} \leq 2TCL - 15 + n3 * 2TCL$ $n3 \geq (t_{df} + 15) / 2TCL - 1$
t	ALE Cycle Time	$t = 150 + n * 50$	$t = 6TCL + n * 2TCL$

- Note:**
- $TCL = 1/f_{osc}$ (25 ns at 40 MHz)
 - ALE Cycle Time (=Memory Cycle Time)=6TCL (150 ns at 40 MHz) for 0 wait state operation
 - An address float time of 5 ns must be permissible
 - t_{14}, t_{17}, t_{19} : See Device Specification Section D.5.3

Table C.1b
Multiplexed Memory Read with Read/With Delay (Quick Table)

t_{acc}	n1	t_{oe}	n2	t_{df}	n3
≤ 75	0	≤ 35	0	≤ 35	0
$\geq 75 \dots \leq 125$	1	$\geq 35 \dots \leq 85$	1	$\geq 35 \dots \leq 85$	1
$\geq 125 \dots \leq 175$	2	$\geq 85 \dots \leq 135$	2		
$\geq 175 \dots \leq 225$	3	$\geq 135 \dots \leq 185$	3		
$\geq 225 \dots \leq 275$	4	$\geq 185 \dots \leq 235$	4		
$\geq 275 \dots \leq 325$	5	$\geq 235 \dots \leq 285$	5		
$\dots \dots \dots$	\cdot	$\dots \dots \dots$	\cdot		

Table C.2a
Multiplexed Memory Write with Read/Write Delay

Symbol	Meaning	40 MHz Clock	Variable Timing
t_{wr}	Write Pulse Low Time	$t_{wr} \leq t_{12} + n1 * 50$ $n1 \geq t_{wr}/50 - 0.8$	$t_{wr} \leq 2TCL - 10 + n1 * 2TCL$ $n1 \geq (t_{wr} + 10) / 2TCL - 1$
t_{dw}	Data Valid to WR#	$t_{dw} \leq t_{22} + n2 * 50$ $n2 \geq t_{dw}/50 - 0.7$	$t_{dw} \leq 2TCL - 15 + n2 * 2TCL$ $n2 \geq (t_{dw} + 15) / 2TCL - 1$
t_{dh}	Data Hold after WR#	$t_{dh} \leq t_{23}$ $t_{dh} \leq 35$	$t_{dh} \leq 2TCL - 15$
t_{as}	Adress Setup	$t_{as} \leq t_6 + t_8$ $t_{as} \leq 25$	$t_{as} \leq 2TCL - 25$
t	ALE Cycle Time	$t = 150 + n * 50$	$t = 6TCL + n * 2TCL$

- Note:**
- $TCL = 1/f_{osc}$ (25 ns at 40 MHz)
 - ALE Cycle Time (=Memory Cycle Time)=6TCL (150 ns at 40 MHz) for 0 wait state operation
 - An address float time of 5 ns must be permissible
 - $t_6, t_8, t_{12}, t_{22}, t_{23}$: See Device Specification Section D.5.3
 - Take care of t_{dh} and t_{as} ! These times cannot be proglonged by wait states.

Table C.2b
Multiplexed Memory Write with Read/With Delay (Quick Table)

t_{wr}	n1	t_{dw}	n2
≤ 40	0	≤ 35	0
$\geq 40 \dots \leq 90$	1	$\geq 35 \dots \leq 85$	1
$\geq 90 \dots \leq 140$	2	$\geq 85 \dots \leq 135$	2
$\geq 140 \dots \leq 190$	3	$\geq 135 \dots \leq 185$	3
$\geq 190 \dots \leq 240$	4	$\geq 185 \dots \leq 235$	4
$\geq 240 \dots \leq 290$	5	$\geq 235 \dots \leq 285$	5
$\dots \dots$	\cdot	$\dots \dots$	\cdot

Table C.3a
Non-Multiplexed Memory Read with Read/Write Delay

Symbol	Meaning	40 MHz Clock	Variable Timing
t_{acc}	Address to Valid Data In	$t_{acc} \leq t_{17} + n1 * 50$ $n1 \geq t_{acc}/50 - 1.5$	$t_{acc} \leq 4TCL - 25 + n1 * 2TCL$ $n1 \geq (t_{acc} + 25) / 2TCL - 2$
t_{oe}	RD# to Valid Data In	$t_{oe} \leq t_{14} + n2 * 50$ $n2 \geq t_{oe}/50 - 0.7$	$t_{oe} \leq 2TCL - 15 + n2 * 2TCL$ $n2 \geq (t_{oe} + 15) / 2TCL - 1$
$t_{df}^{1)}$	Data Float after RD#	$t_{df} \leq t_{20} + n3 * 50$ $n3 \geq t_{df}/50 - 0.7$	$t_{df} \leq 2TCL - 15 + n3 * 2TCL$ $n3 \geq (t_{df} + 15) / 2TCL - 1$
$t^{1)}$	ALE Cycle Time	$t = 100 + n * 50$	$t = 4TCL + n * 2TCL$

- Note:**
- If the external memory is only used for code storage, t_{df} may be longer than specified here. In this case, $n = \max\{n1, n2\}$ because $n3 = 0$.
 - ALE Cycle Time (=Memory Cycle Time)=4TCL (100 ns at 40 MHz)
 - t_{14} , t_{17} , t_{20} : See Device Specification Section D.5.5

Table C.3b
Non-Multiplexed Memory Read with Read/With Delay (Quick Table)

t_{acc}	n1	t_{oe}	n2	t_{df}	n3
≤ 75	0	≤ 35	0	≤ 35	0
$\geq 75 \dots \leq 125$	1	$\geq 35 \dots \leq 85$	1	$\geq 35 \dots \leq 85$	1
$\geq 125 \dots \leq 175$	2	$\geq 85 \dots \leq 135$	2		
$\geq 175 \dots \leq 225$	3	$\geq 135 \dots \leq 185$	3		
$\geq 225 \dots \leq 275$	4	$\geq 185 \dots \leq 235$	4		
$\geq 275 \dots \leq 325$	5	$\geq 235 \dots \leq 285$	5		
$\dots \dots$	\dots	$\dots \dots$	\dots		

Table C.4a
Non-Multiplexed Memory Write with Read/Write Delay

Symbol	Meaning	40 MHz Clock	Variable Timing
t_{wr}	Write Pulse Low Time	$t_{wr} \leq t_{12} + n1 * 50$ $n1 \geq t_{wr}/50 - 0.8$	$t_{wr} \leq 2TCL - 10 + n1 * 2TCL$ $n1 \geq (t_{wr} + 10) / 2TCL - 1$
t_{dw}	Data Valid to WR#	$t_{dw} \leq t_{22} + n2 * 50$ $n2 \geq t_{dw}/50 - 0.7$	$t_{dw} \leq 2TCL - 15 + n2 * 2TCL$ $n2 \geq (t_{dw} + 15) / 2TCL - 1$
t_{dh}	Data Hold after WR#	$t_{dh} \leq t_{24}$ $t_{dh} \leq 15$	$t_{dh} \leq 2TCL - 10$
t_{as}	Adress Setup	$t_{as} \leq t_6 + t_8$ $t_{as} \leq 25$	$t_{as} \leq 2TCL - 25$
t	ALE Cycle Time	$t = 100 + n * 50$	$t = 4TCL + n * 2TCL$

Note: – ALE Cycle Time (=Memory Cycle Time)=4TCL (100 ns at 40 MHz) for 0 wait state operation
 – $t_6, t_8, t_{12}, t_{22}, t_{24}$: See Device Specification Section D.5.5
 – Take care of t_{dh} and t_{as} ! These times cannot be proglonged by wait states.

Table C.4b
Non-Multiplexed Memory Write with Read/With Delay (Quick Table)

t_{acc}	n1	t_{oe}	n2
≤ 40	0	≤ 35	0
$\geq 40 \dots \leq 90$	1	$\geq 35 \dots \leq 85$	1
$\geq 90 \dots \leq 140$	2	$\geq 85 \dots \leq 135$	2
$\geq 140 \dots \leq 190$	3	$\geq 135 \dots \leq 185$	3
$\geq 190 \dots \leq 240$	4	$\geq 185 \dots \leq 235$	4
$\geq 240 \dots \leq 290$	5	$\geq 235 \dots \leq 285$	5
$\dots \dots \dots$	\cdot	$\dots \dots \dots$	\cdot

Microcomputer Components

SAB 80C166 / 83C166

16-Bit CMOS Single-Chip Microcontrollers
for Embedded Control Applications

Addendum to User's Manual 9.90

Note:

The *User's Manual* describes the SAB 80C166 up to the AB step. The *Addendum to the User's Manual* describes the improvements and features implemented in the SAB 80C166 from the BA step. There is no explicit notice which parts of the User's Manual are to be replaced by the addendum. Please be aware that reading the addendum is essential for the correct programming of the SAB 80C166 devices available today.

Table of Contents		Page
1	GPT2 – Timer T5 Clear Function	D-3
2	Serial Port Baud Rates	D-3
3	Implementation of a 16/18-Bit Address, 8-Bit Data, Non-Multiplexed Bus Mode	D-4
4	Mapping the internal ROM address space	D-4
5	Selection of Bus Modes and ROM Mapping	D-5
6	Change of the READY#-Function	D-8
7	Implementation of an additional Bus Configuration Register	D-9
8	Switching between the Bus Modes	D-11
9	Implementation of ALE Lengthening	D-11
10	Automatic Continuation of Reset Sequence	D-12
11	Implementation of HOLD/HLDA/BREQ Bus Arbitration	D-12

1 GPT2 – Timer T5 Clear Function

In the BA-Step of the SAB 80C166, the capture function and the clear function of timer T5 are no more tied together. The timer T5 clear function can be selected through bit T5CLR regardless whether the capture function is enabled or not through bit T5SC.

The external input pin CAPIN/P3.2 can be used to clear timer T5 to 0000h. Either a positive, a negative, or both a positive and a negative transition at this pin can be selected to trigger the clear function. The active edge is controlled by bit field CI in register T5CON according to Table 8.2.11 (see User's Manual).

For triggering the clear function of T5, pin CAPIN must be configured as input by setting its direction control bit DP3.2 to '0'. To ensure that a transition of the clear trigger signal is correctly recognized, its level should be held for at least 4 state times.

When the clear function is enabled and a selected transition at the external input pin CAPIN is detected, timer T5 is cleared to 0000h, and the interrupt request flag CRIR in register CRIC is set.

Note: The timer T5 clear function and the capture function are always triggered by the same transition at pin CAPIN.

Figures 1.1 and 1.2 are the corrected figures of the User's Manual, showing the changed functionality of the timer T5 clear function.

2 Serial Port Baud Rates

To increase the range of programmable baud rates for the two serial interfaces, an additional control bit will be implemented in the control registers S0CON and S1CON. This bit, SxBRS (Serial Port x Baud Rate Selection), will be located at bit position 13 in each of the two control registers. When SxBRS=0, the baud rate is determined by the formula described in the User's Manual. When SxBRS=1, the baud rate of the respective serial interface x is determined by the formulas

$$\text{Basyncx} = 2/3 * f_{\text{OSC}} / [64 * (<\text{SxBRL}>+1)] \quad \text{and}$$

$$\text{Bsyncx} = 2/3 * f_{\text{OSC}} / [16 * (<\text{SxBRL}>+1)]$$

Thus, when bit SxBRS is set, the current baud rate formulas are multiplied with 2/3.

Figure 2.1 shows the new extended functionality of the serial channels' control registers, S0CON and S1CON.

3 Implementation of a 16/18-Bit Address, 8-Bit Data, Non-Multiplexed Bus Mode

Besides the three bus modes currently implemented in the SAB 80C166, a fourth bus mode, 8-bit data, 16/18-bit address, non-multiplexed, will be implemented. Thus, all possible combinations of data bus width (8-bit/16-bit) and multiplexed/non-multiplexed operation are available.

In the new bus mode, Port 1 is used as a word wide address output, while the lower half of Port 0 is used as the byte wide data bus. Since two independent buses are used to access external memory or peripherals, no time-multiplexing and no additional address latch is required when operating in this bus mode. If segmentation is enabled, Port 4 is additionally used to output the two most significant bits of the required 18-bit address.

For selecting this new bus mode during reset and normal operation see Chapter 5 of this specification.

Note: The upper half of Port 0 can not be used for general purpose I/O.

4 Mapping the internal ROM address space

Beginning with the BA-step of the SAB 80C166, the option to remap the address space of the on-chip ROM (or Flash-EEPROM for the SAB 80C166) from segment 0 to segment 1 will be implemented. This feature will be implemented due to the following reasons:

If a customer is using the SAB 80C166 in several varying applications, it is most likely that all applications share a common set of basic software functions, for instance converting characters, operating with floating point numbers, etc. Often only the real time control, the interrupt procedures, differ from application to application. Since the interrupt vector table resides in the address space occupied by the on-chip ROM, this would either mean using different ROM masks for each application, or using a ROMless chip with external memory.

With the new ROM mapping feature, however, the customer can benefit from the ROM chip in programming the common software routines into the on-chip ROM, using the fast execution speed, and mapping it to segment 1, thus freeing the interrupt vector table space for the different interrupt routines, now stored in smaller external memories.

Another possibility exists in that Siemens itself can program standard routines into the on-chip ROM, and sell this version as preprogrammed SAB 83C166. The user can map the on-chip ROM to segment 1, use the segment 0 address space and the interrupt vector table space for his own routines, and has access to standard software routines, which he does not have to develop, write and test on his own, in the on-chip ROM.

Chapter 5 describes how the ROM mapping is selected.

Note: Due to instruction pipelining, any new ROM mapping will at the earliest become valid for the second instruction after the instruction which has changed the ROM mapping. This always applies to data accesses. For code accesses in particular, any new ROM mapping will not become valid until the first (absolute) branch to the newly selected ROM area is actually performed. When mapping the ROM, however, normally no instruction or data accesses should be made to the internal ROM, otherwise unpredictable results may occur. In order to avoid this problem, one could either execute the instructions to map the ROM from external memory or from the internal RAM.

When mapping the ROM to segment 1, the address space of the 8 Kbyte ROM in the SAB 83C166 is 10000h to 11FFFh (64K to 72K).

5 Selection of Bus Modes and ROM Mapping

Since an additional fourth bus mode is implemented in the SAB 80C166 family, two external bus control pins (EBC0 and EBC1) are not enough to select all the options after reset. Thus, an additional external pin is required. For this purpose, pin 7, which used to be an extra V_{SS} pin, will be assigned to this function. This pin is named BUSACT#, Bus Active, and specifies whether the SAB 80C166 is starting execution after reset from internal or external memory. When BUSACT# is high at the end of reset, the SAB 80C166 fetches the first instruction from the internal ROM space, regardless of the state of the pins EBC0 and EBC1. However, to avoid unintentional effects caused by read-modify-write operations on the SYSCON register, it is recommended to select the Single Chip Mode only with the EBC pins tied low.

When BUSACT# is low at the end of reset, the SAB 80C166 fetches the first instruction from external memory with a bus configuration specified through EBC0 and EBC1. Note that for all members of the SAB 80C166 family without internal program memory (e.g. the ROM-less SAB 80C166), BUSACT# must be tied low. The following table illustrates all possible options:

BUSACT#	EBC 1	EBC 0	Bus Mode
1	0	0	Single Chip Mode
1	0	1	(reserved, but currently the Single Chip Mode will be entered)
1	1	0	(reserved, but currently the Single Chip Mode will be entered)
1	1	1	(reserved, but currently the Single Chip Mode will be entered)
0	0	0	8-Bit data non-multiplexed bus
0	0	1	8-Bit data multiplexed bus
0	1	0	16-Bit data multiplexed bus
0	1	1	16-Bit data non multiplexed bus

With the end of reset, the inverted value of the pin BUSACT# is copied into bit 10, BUSACT, of register SYSCON (this bit used to be the ROM enable bit ROMEN). The value of the pins EBC0 and EBC1 are copied into the BTYP field of the SYSCON register. Figure 5.1 shows the new organisation of register SYSCON.

Note: The new scheme of selecting a bus mode during reset is fully upward compatible to the existing AB-step of the SAB 80C166 when external start of execution is selected. For this selection, the BUSACT# pin is tied to '0', which corresponds to the level at pin 7 of the AB-step, which is a GND pin. There is only a difference for the ROM-version, the SAB 83C166. Since currently no mask ROM programmed components are delivered and used, no board design change is necessary in order to use the BA-step in already existing boards.

The external pins BUSACT#, EBC0, and EBC1 are used to specify from where the first instruction after a reset should be fetched by the SAB 80C166. During the initialization routine, however, the user has the option to change any configuration which was selected during reset.

Other than in the AB-step, where the ROMEN bit was a read-only bit if the single chip mode was selected during reset, the new BUSACT bit, which replaces the ROMEN bit, is always read- and writeable. Also the BTYP bits, which were read-only bits if an external bus mode was selected during reset, are now always read- and writeable, regardless whether execution begins with single chip mode or external bus mode. This feature of the BTYP-field is already implemented in the AB-step (see Errata Sheet SAB 80C166-S, Release 1.3, page 6). Thus, one has full control over these bits and can reprogram the bus configuration after reset. In addition, the mapping of the ROM to segment 1 can be performed (see Chapter 4). Any changes of the configuration which affect the on-chip ROM, however, can only be made until the end-of-initialization instruction, EINIT, is executed. After the EINIT instruction, only the external bus configuration can be changed at any time. The following table illustrates the possible selections during reset, during the initialization phase, and after the EINIT instruction. Note that, directly after reset, the bit BUSACT represents the inverted value of the pin BUSACT#, and BTYP represents the values of the pins EBC1 and EBC0.

Action/Function Selected at:

BUSACT	BTYP	Reset	During Init	After Init
0	00	ROM enable Segment 0 No ext. Bus	ROM enable Segment 0	No action
0	01	(reserved)	ROM enable Segment 1	No action
0	10	(reserved)	Disable ROM	No action
0	11	(reserved)	Disable ext. Bus	No action
1	00	8-Bit Non-Mux No ROM	8-Bit Non-Mux	8-Bit Non-Mux
1	01	8-Bit Mux No ROM	8-Bit Mux	8-Bit Mux
1	10	16-Bit Mux No ROM	16-Bit Mux	16-Bit Mux
1	11	16-Bit Non-Mux No ROM	16-Bit Non-Mux	16-Bit Non-Mux

This table of functions allows the user to choose between the following options:

- Start execution from any of the four external bus modes including the new 8-bit non-multiplexed mode.
- Start execution from the internal ROM (or Flash-EPROM), and later program any of the four bus modes. One can also disable the ROM if only test and initialization routines were stored in ROM.
- Remap the internal ROM to segment one. This allows to have the interrupt vector table internal or external.

Notes: Although the combinations 001, 010, and 011, which are marked as reserved, would also select the internal ROM in segment 0, it is **strongly recommended not to use** these combinations since unexpected results may occur when changing SYSCON parameters.

One must be very careful when changing the SYSCON parameters during the initialisation routine. One must not execute instructions from a resource (external bus or internal ROM) which is to be switched (e.g. disabling the external bus when executing from external memory)!

Example

Consider the case, where an application requires to have an external 16-bit non-multiplexed data bus, and the internal ROM mapped to segment 1. After reset, the execution should start from external memory.

For this purpose, pin BUSACT# is tied to '0', and pins EBC1 and EBC0 are tied to '1'. After the reset is performed, the chip starts fetching instructions from the external memory. In the initialisation routine, software changes the bits in the SYSCON register such that BUSACT=0, and the BTYP field is '01'. This enables the internal ROM in segment 1. The configuration of the external bus, however, is not changed via this modification! The external bus is only changed when BUSACT='1'. After execution of the EINIT instruction, modifications of the internal ROM address space are no more possible. It is possible, however, to change the external bus configuration under the precautions mentioned in the note above (or via the new BUSCON1 register, see Chapter 7).

6 Change of the READY#-Function

When the READY function is enabled through bit RDYEN, the selection between synchronous or asynchronous operation of READY is performed in the AB-step via bit 0 of register SYSCON (LSB of field MCTC). In the BA-step, this selection is performed through bit 3 of register SYSCON, which is the MSB of the MCTC (Memory Cycle Time Control) bit field. This change frees bit positions 0 to 2 of this field. These 3 bits will now be used to offer the possibility to program up to 7 Memory Cycle Time Wait-States **in addition** to the READY function. When the READY function is enabled, the operation will be as follows:

- If 0 wait states are programmed in bits 0 to 2 of the MCTC field, the READY function will operate fully compatible to the specification of the AB-step.
- If between 1 and 7 wait states are programmed in bits 0 to 2 of the MCTC field, the CPU will **first** insert the programmed number of wait states into the memory cycle (Cycle Time Wait States), regardless of the state of the READY# line. After the wait state time has expired, the CPU will check the READY# line and delay the memory access depending on the state of the READY# line.

This new feature has the following advantages for the user:

- 1) One can connect memory, operating with or without wait states, and peripherals, operating with READY, to the external bus of the SAB 80C166 and use wait states together with the READY function. If the memory is accessed, the chip select logic is used to bring the READY# line to a LOW state. The CPU will insert the programmed number of wait states (if any) into the memory cycle, then check the READY# line, find that the external device is ready (READY# = 0), and terminate the memory cycle. If the peripheral device is accessed, first the programmed wait states are inserted, and then the READY# line is checked. For READY# = 0, the bus cycle will be terminated. For READY# = 1, the CPU will hold the bus cycle until READY# goes to '0', and then terminate the cycle. Since normally peripherals operating with a READY function are much slower than memories, even memories requiring wait states, this will have no impact on the access time to the peripheral.
- 2) When using the asynchronous READY function, the first time the READY# line is checked is near the falling edge of the ALE signal. Thus, in order to guarantee a correct bus cycle the READY# line has to present a valid logic level at this time point. Some peripherals, however, hold the READY# line at a low state when they are not accessed, and require some time after being addressed by the CPU to signal their 'not ready' state, i.e. bring the READY# line to a one. But, if the READY# line is still low with the falling edge of the ALE signal, the CPU interprets this as 'external device is ready', and inserts no wait states during the following bus cycle. A possible workaround for the AB-step of the SAB 80C166 is to use external glue logic to hold the READY# line high until the peripheral device is ready to correctly control the READY# line. This problem will be eliminated with the BA-step, since the CPU will first insert the programmed wait states before checking the READY# line.

Figure 6.1 a) and b) illustrate this new feature. In this example, three wait states have been programmed in field MCTC of register SYSCON in addition to the READY function. In Figure 6.1a), the READY# line goes to zero prior to the execution of the wait states, but the chip continues to hold the memory access cycle until all wait states are performed. This example could be the case when accessing a memory, which just requires three wait states, and where the READY# line is brought to low with the Chip Select signal for the memory. In Figure 6.1b), after insertion of all three wait states the READY# line is checked and found to be high. The chip now continues to hold the memory access cycle until the READY# line goes to low. Then the bus cycle is terminated. This example could be the case when accessing a slow peripheral device (which in this case is slower than a normal bus cycle with three wait states).

7 Implementation of an additional Bus Configuration Register

In the current AB-step, the external bus configuration can only be changed via the SYSCON register. This means, that in order to access an external device with a different number of wait states, a different bus width, etc., one has to reprogram the SYSCON register, wait for the change to become active, perform the access, and then reprogram the SYSCON register to the former configuration. Due to the pipeline, this was a rather complicated process and several critical conditions had to be taken into account.

Now in the BA-step, a different bus configuration can be selected automatically within a user-programmable address range. For this purpose, two new registers will be implemented. The first register, BUSCON1 (Bus Configuration Register 1) is used to specify the desired configuration of the bus, such as number of wait states, data width, etc., while the second one, ADDRSEL1 (Address Select Register 1), specifies the address space in which these bus characteristics should become active.

In the BUSCON1 register, all control bits of the SYSCON register relevant for configuring the external bus can also be found here. Figure 7.1 shows the organization of register BUSCON1.

With the Address Select Register, ADDRSEL1, an address range is specified. When an external access is made to this address range, then instead of the SYSCON parameters, the control bits of the BUSCON1 register specify the configuration of the external bus for this access. The ADDRSEL1 register is shown in Figure 7.2.

One can see that the ADDRSEL1 register is divided into three parts. Bits 0 to 2, RGSZ (Range Size Selection bit field), specify the address range according to the following table:

Range Size RGSZ	Selected Address Range
000	2 KByte
001	16 KByte
010	32 KByte
011	64 KByte
100	128 KByte
101	reserved
110	reserved
111	reserved

The next bit field, bits 3 to 9, Range Start Address, specifies the start address of the address range. The third field of register ADDRSEL1, bits 10 to 15, is reserved for future expansion.

There is a fixed relationship between the range size and the range start address. The range start address can only be specified in boundaries determined by the selected range size. That is, for a range size of 16 Kbyte, the start address of this range can only be programmed to 16 Kbyte boundaries. For a range size of 2 Kbyte, the start address can be programmed to any 2 Kbyte address boundary. If the range size is 128 Kbyte, then for the SAB 80C166 the start address can only be 0 Kbyte or 128 Kbyte, since the total address range is 256 Kbyte (two blocks of 128 Kbyte). Bits 3 to 9, the Address Start Location bit field of register ADDRSEL1, can be regarded as the most significant address bits of the selected address range. Thus, depending on the selected range size, only a part of this bit field is relevant for specification of the start address. This is shown in the following table (x = don't care; R = relevant bit):

Range Size RGSZ	Selected Address Range	Relevant Bits of Range Start Address
000	2 KByte	RRRRRRR
001	16 KByte	RRRRxxx
010	32 KByte	RRRxxxx
011	64 KByte	RRxxxxx
100	128 KByte	Rxxxxxx
101	reserved	—
110	reserved	—
111	reserved	—

After reset, all bits of the BUSCON1 register are cleared to '0'. Other than for the SYSCON register, the state of the external bus control pins EBC0, EBC1, and BUSACT#, are **not** copied into the BUSCON1 register after reset. After reset, the BUSCON1 register is disabled, and all bus characteristics are controlled by register SYSCON. To enable the BUSCON1 register, one should first specify an address range and start address of this range through register ADDRSEL1, then program the BUSCON1 register to the desired bus configuration, and set the BUSACT1 control bit. The BUSCON1 register will then take control of the external bus when an access to the specified address range is made.

During accesses to all other addresses outside the address range specified through register ADDRSEL1, the SYSCON parameters control the external bus characteristics. Figure 7.3 illustrates an example how to partition the address space into a range controlled through the new BUSCON1 register, and into ranges controlled through the SYSCON register.

Note that the new BUSCON1 register is only capable of controlling the external bus. It is not possible to control or modify the on-chip ROM space through the BUSCON1 register. This can only be done with register SYSCON.

8 Switching between the Bus Modes

With the new features of the BA-step of the SAB 80C166, the additional bus mode and the new BUSCON1 register, it is possible to switch the bus characteristics 'on-the-fly'. One can change the number of wait states, switch from a multiplexed bus to a non-multiplexed bus or vice versa, or can use the READY function in a certain address range while operating without READY in the remaining address range. This can either be done by using the SYSCON and BUSCON1 registers with different parameters in certain address ranges, or by reprogramming the SYSCON or BUSCON1 register prior to an access which should be performed with different bus characteristics. However, it is not recommended or very useful to modify the SYSCON or BUSCON1 register which is currently being used for instruction fetches, since pipeline effects can make it very difficult to determine which of the following accesses will be made with the new configuration. Thus, it is recommended to modify bus configuration registers used for instruction fetches while executing instructions from either internal ROM, RAM, or from a different SYSCON or BUSCON1 address range. For example, if one wants to reprogram the BUSCON1 register, one should execute the instructions to modify the register from an address space which is currently controlled by the SYSCON register.

As mentioned before, it is possible to switch from an 8-bit data bus to a 16-bit data bus and vice versa, and to switch between a multiplexed and a non-multiplexed bus. There exists one condition, however, which presents a special case. When switching from a non-multiplexed bus to a multiplexed bus, an extra hold state is required due to timing constraints. In addition, Port 1, which is used for the address bus, **continues** to output the address, although the address will also appear at Port 0, time multiplexed with the data. This has the advantage, that the chip select logic, which is tied to the address bus, does not have to either be switched from Port 1 to Port 0 or vice versa. Figure 8.1 shows a timing diagram for switching from a non-multiplexed bus to a multiplexed bus.

Note: As long as any SYSCON or BUSCON1 selects a non-multiplexed bus, Port 1 is dedicated for the address bus function and can not be used as general purpose I/O port. In order to use Port 1 for general purpose I/O, both the SYSCON and the BUSCON1 register must select one of the multiplexed bus modes. This is also true for the READY function. In order to use the READY# pin for general purpose I/O, RDYEN in register SYSCON and RDYEN1 in register BUSCON1 must be '0'.

9 Implementation of ALE Lengthening

The SAB 80C166 currently provides two methods to lengthen an access to external memories or peripherals. One is the Memory Cycle Time Wait State, which is used to lengthen the middle of a bus cycle, the other is the Memory Tri-State Time Wait State, which lengthens the end of a bus cycle. Now in the BA-step, it is possible to also lengthen the beginning of a bus cycle.

For this purpose, a new bit, ALECTL1 (ALE Control Bit), is implemented in the new BUSCON1 register. Since in most cases a longer ALE pulse and longer address setup and hold times are only required by special peripheral components, it is no restriction to offer this possibility only in the address range provided for the BUSCON1 register.

After reset, the ALECTL1 bit is cleared to '0', and the bus cycle will be performed as specified for the AB-step of the SAB 80C166. When ALECTL1 is set to '1', any access within the address

range specified by the ADDRSEL1 register is lengthened by one machine state (50 ns @ 20 MHz CPU clock). The ALE signal is lengthened by one TCL (TCL = 1/2 machine state, 25 ns @ 20 MHz CPU clock), and the address hold time after ALE is also lengthened by one TCL. Figure 9.1 illustrates the bus cycle timing when ALECTL1 is set.

10 Automatic Continuation of Reset Sequence

The SAB 80C166 requires 1040 state times (52 μ s @ 20 MHz CPU clock) in order to perform a complete reset sequence. When a software reset (SRST) instruction is executed or a watchdog timer reset occurs, internal circuitry provides for the correct number of state times of the reset sequence. Now in the BA-step, this is also true when an external reset signal is applied to pin RSTIN#. The external reset signal has to be held at a logic low level for a duration of at least **2 state times** for internal latching purposes. The internal circuitry will then perform the complete reset sequence, regardless whether the external reset signal stays at a low level or turns back to a logic high level. If the external reset signal is still low by the time the internal reset sequence is completed, the sequence will start again. This procedure continues until a high level is found at the RSTIN# pin at the end of a reset sequence.

This new feature helps to avoid unexpected results due to noise on the RSTIN# line. Noise pulses longer than 2 state times will always initiate a complete reset of the SAB 80C166. Shorter noise pulses have to be avoided or suppressed by external circuitry.

Note that holding the reset pin RSTIN# low for a minimum of 2 state times is only sufficient for a warm reset. For a power-up reset, the RSTIN# pin has to be held low at minimum for the duration of the oscillator start-up time (about 50 ms for a quartz crystal).

11 Implementation of HOLD/HLDA/BREQ Bus Arbitration

In order to support multi-master systems and communication with external DMA functions, a bus arbitration feature will be implemented in the BA-step of the SAB 80C166. Three new signals are required for this feature.

HOLD# (Input Only)

When brought to low (active state), this signals to the SAB 80C166 that another master wants to perform one or several bus accesses on the external bus of the SAB 80C166. After internal synchronisation of this signal and after complete termination of the current external bus cycle (if any), the SAB 80C166 backs off its external bus and activates signal HLDA# to flag the second master that the bus is now free. This condition will be held until the HOLD# line goes back to high (inactive state). After an internal synchronisation phase, the SAB 80C166 deactivates signal HLDA# and takes over the control of the external bus again (if required). During the HOLD phase, the SAB 80C166 can still operate and fetch instruction or data when executing out of internal ROM or RAM. The CPU really only stops execution if external data or instruction fetches are required.

HLDA# (Hold Acknowledge, Output Only)

When brought to low (active state) through the SAB 80C166, this signal tells the second master that the bus is now free for use.

BREQ# (Bus Request, Output Only)

This signal is intended to give the SAB 80C166 a chance to flag an own external bus request to the second master. The second master can then decide whether or not to grant the SAB 80C166 the external bus for one or more external bus accesses.

These three signals will be implemented as second alternate functions at pins P2.15 (HOLD#), P2.14 (HLDA#), and P2.13 (BREQ#). A new control bit, HLDEN (Hold Function Enable), will be implemented in the PSW (see Figure 11.1). After reset, this bit is '0'. If this bit is once set to '1', the 3 pins of port 2 can no longer be used for general purpose I/O or for the CAPCOM unit! If bit HLDEN is cleared after once being set, this will disable the bus arbitration function of these pins, but will **not** turn them back to I/O or CAPCOM mode. Clearing of HLDEN is used to disable the HOLD# input while executing some critical real time routines which are not allowed to be interrupted or delayed through external HOLD requests.

If an external HOLD request is acknowledged, the SAB 80C166 will bring the external address, data, and control bus to the following states:

Port 0:	Tri-State, if an external bus is enable
Port 1:	Tri-State, if a non-multiplexed bus mode is selected
Port 4:	Tri-State, if an external bus and segmentation are enabled
ALE:	Float to '0' through high-impedance pull down
RD#:	Float to '1' through high-impedance pull down
WR#:	Tri-State (even when used as general purpose I/O pin!)
BHE#:	Tri-State, if BHE function enabled
READY#:	No change, since this is an input only signal

Figures 11.2 and 11.3 illustrate the timings for entry into and exit from HOLD mode (timings shown for a non-multiplexed bus mode). The timing for bus request, BREQ#, will be detailed in the next revision of this paper.

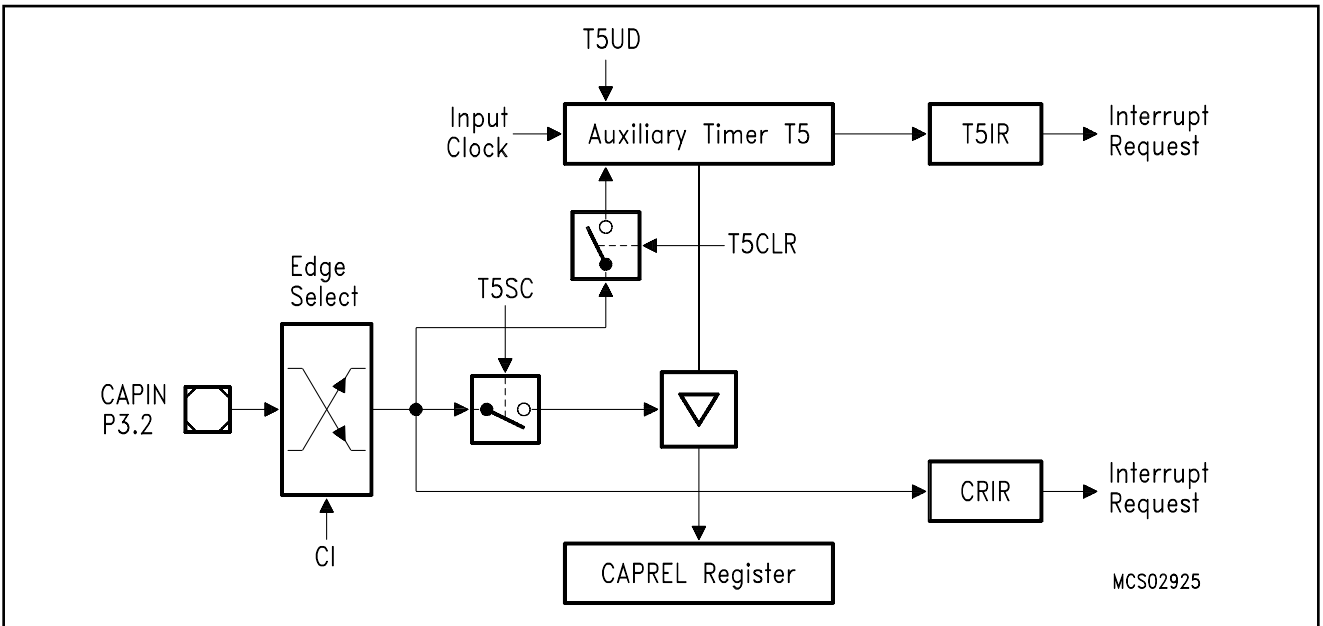


Figure 1.1
Register CAPREL in Capture Mode

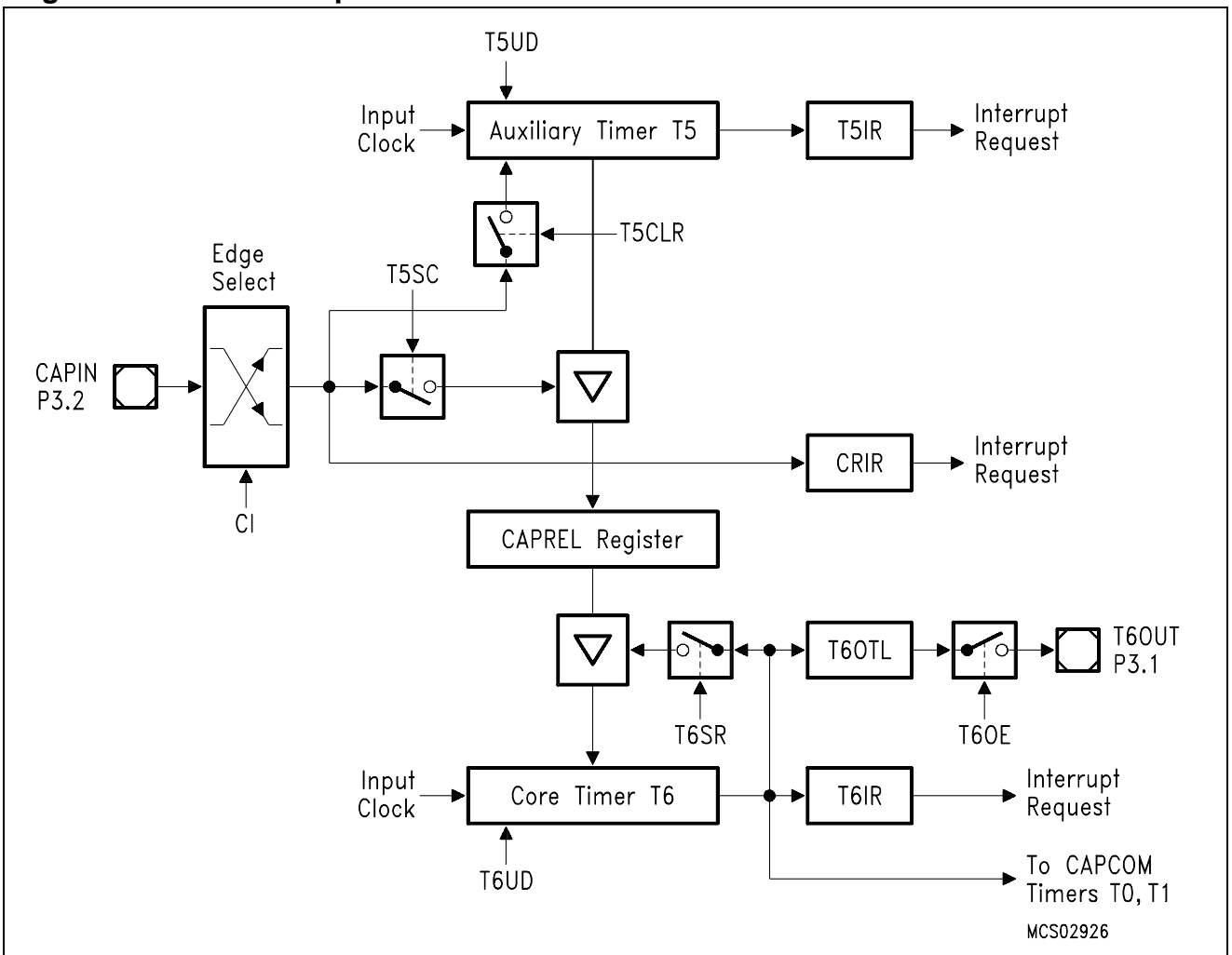


Figure 1.2
Register CAPREL in Capture and Reload Mode

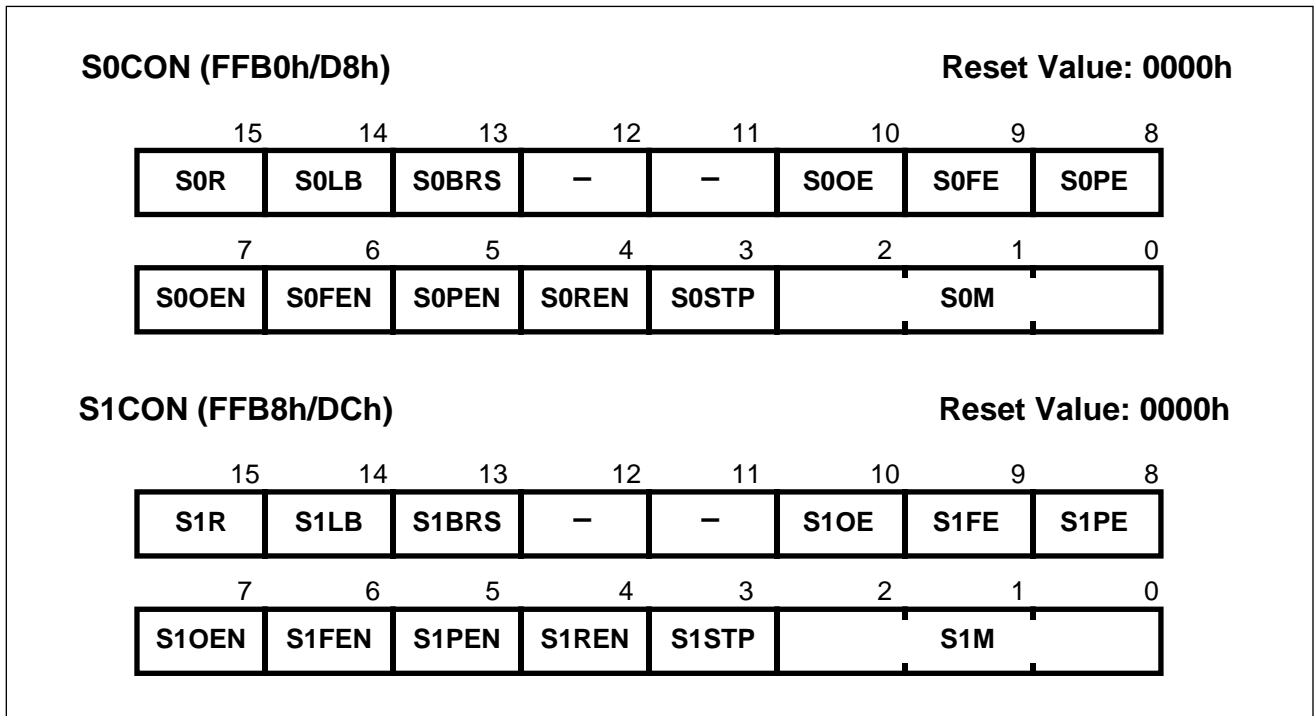


Figure 2.1
Serial Channels Control Registers S0CON and S1CON

Symbol	Position	Function
SxM	SxCON [2 .. 0]	ASCx Mode Control (see table 8.4.1)
SxSTP	SxCON.3	Number of Stop Bits Selection. SxSTP = 0: One Stop Bit SxSTP = 1: Two Stop Bits
SxREN	SxCON.4	Receiver Enable Bit. Used to Initiate Reception. Reset by hardware after a byte in synchronous mode has been received. SxREN = 0: Receiver Disabled SxREN = 1: Receiver Enabled
SxPEN	SxCON.5	Parity Check Enable Bit. SxPEN = 0: Parity Check Disabled SxPEN = 1: Parity Check Enabled
SxFEN	SxCON.6	Framing Check Enable Bit. SxFEN = 0: Framing Check Disabled SxFEN = 1: Framing Check Enabled
SxOEN	SxCON.7	Overrun Check Enable Bit. SxOEN = 0: Overrun Check Disabled SxOEN = 1: Overrun Check Enabled
SxPE	SxCON.8	Parity Error Flag. Set by hardware when a parity error occurs and SxPEN = 1. Must be reset by software.
SxFE	SxCON.9	Framing Error Flag. Set by hardware when a framing error occurs and SxFEN = 1. Must be reset by software.
SxOE	SxCON.10	Overrun Error Flag. Set by hardware when an overrun error occurs and SxOEN = 1. Must be reset by software.

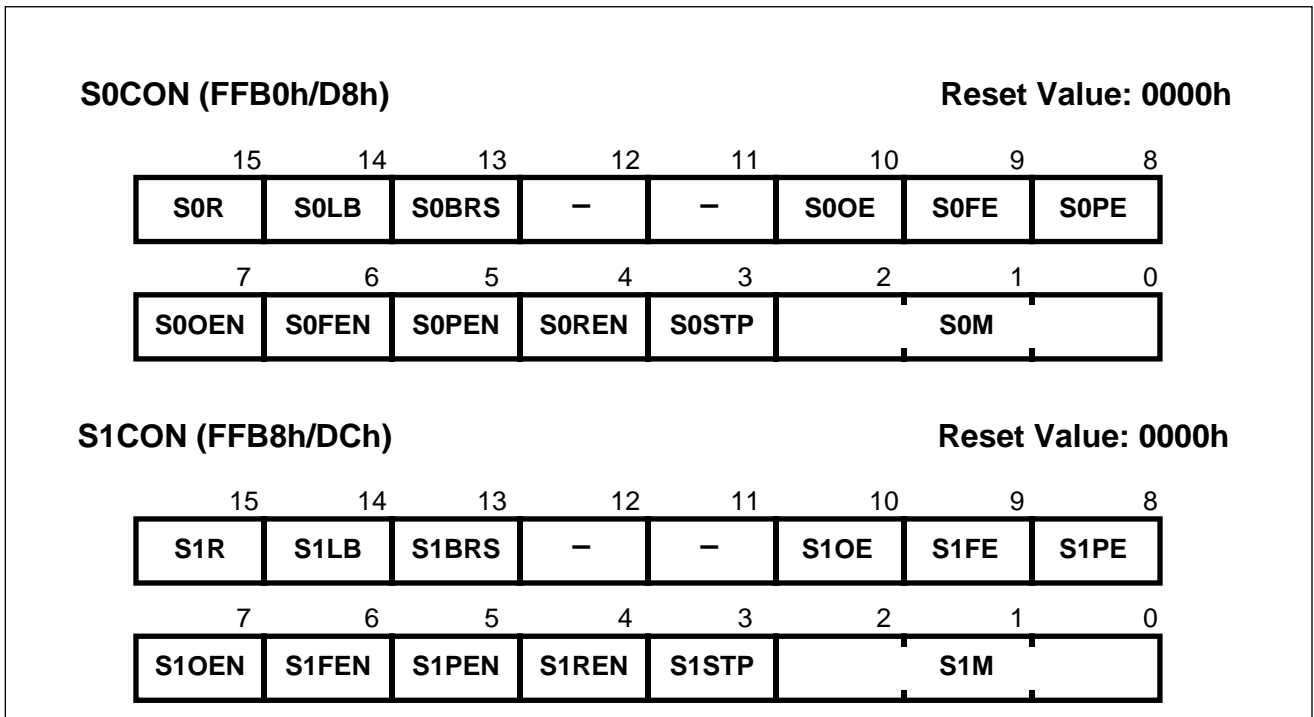


Figure 2.1 (cont'd)
Serial Channels Control Registers S0CON and S1CON

Symbol	Position	Function
—	SxCON [12 ..]	(reserved)
SxBRS	SxCON.13	Baud Rate Selection Bit. See description chapter 2 for more details.
SxLB	SxCON.14	Loop Back Mode Enable Bit. SxLB = 0: Loop Back Mode Disabled SxLB = 1: Loop Back Mode Enabled
SxR	SxCON.15	ASCx Baud Rate Generator Run Bit SxR = 0: Baud Rate Generator Disabled SxR = 1: Baud Rate Generator Enabled
—		(reserved)
x = (0,1)		

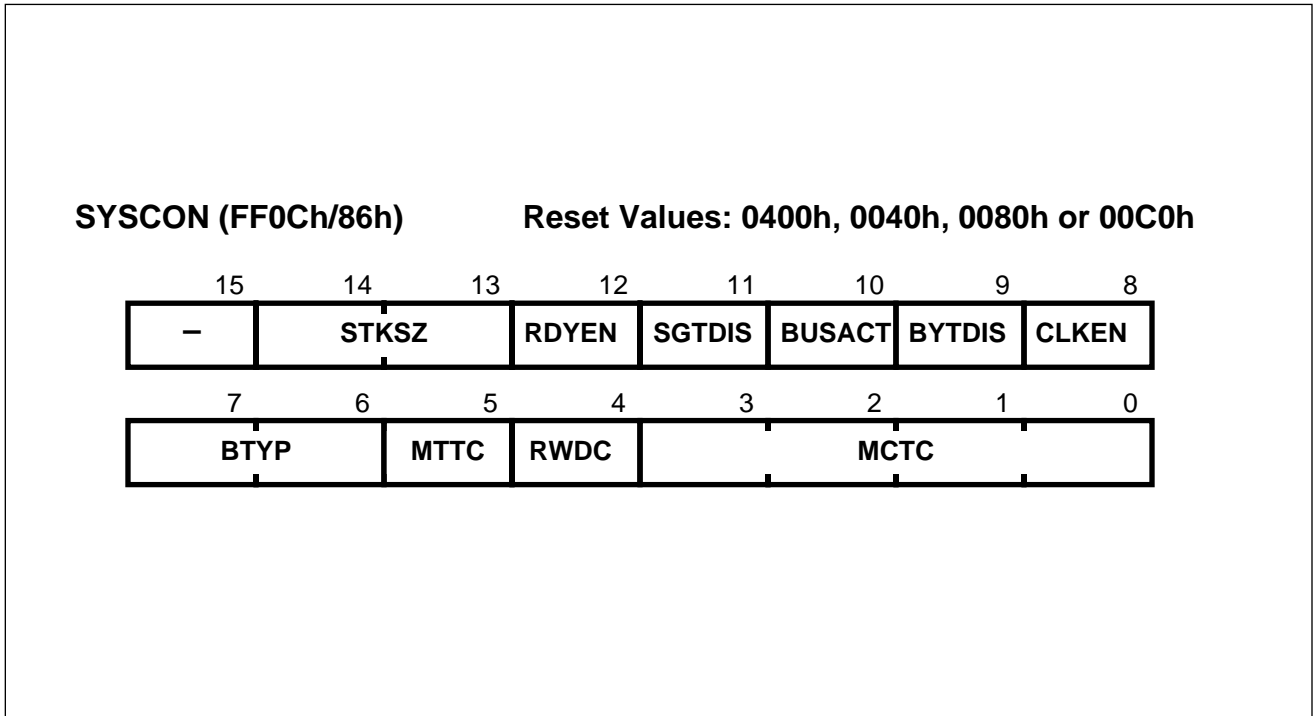


Figure 5.1
System Configuration Register

Symbol	Position	Function
MCTC	SYSCON [3 ..0]	Memory Cycle Time Control. See description chapter 6 for details.
RWDC	SYSCON.4	Read/Write Delay Control.
MTTC	SYSCON.5	Memory Tri-state Time Control.
BTYP	SYSCON [7 .. 6]	External Bus Configuration Control. See description chapter 5 for details.
CLKWN	SYSCON.8	System Clock Output (CLKOUT) Enable bit: CLKEN = 0: CLKOUT disabled; pin can be used for normal I/O CLKEN = 1: CLKOUT enabled; pin used for system clock output.
BYTDIS	SYSCON.9	Byte High Enable (BHE#) pin control bit: BYTDIS = 0: BHE# enabled BYTDIS = 1: BHE# disabled; pin can be used for normal I/O.
BUSACT	SYSCON.10	Bus Active Control Bit. See description chapter 5 for details.
SGTDIS	SYSCON.11	Segmentation Disable control bit: SGTDIS = 0: A16 and A17 enabled; Port 4 used for segment address SGTDIS = 1: A16 and A17 disabled; Port 4 can be used for normal I/O
RDYEN	SYSCON.12	READY# Input Enabled control bit: RDYEN = 0: READY# function disabled for SYSCON accesses. RDYEN = 1: READY# function enabled for SYSCON accesses.
STKSZ	SYSCON [14 .. 13]	Maximum System Stack Size Selection of between 32 and 256 words.
-	SYSCON.15	(reserved)

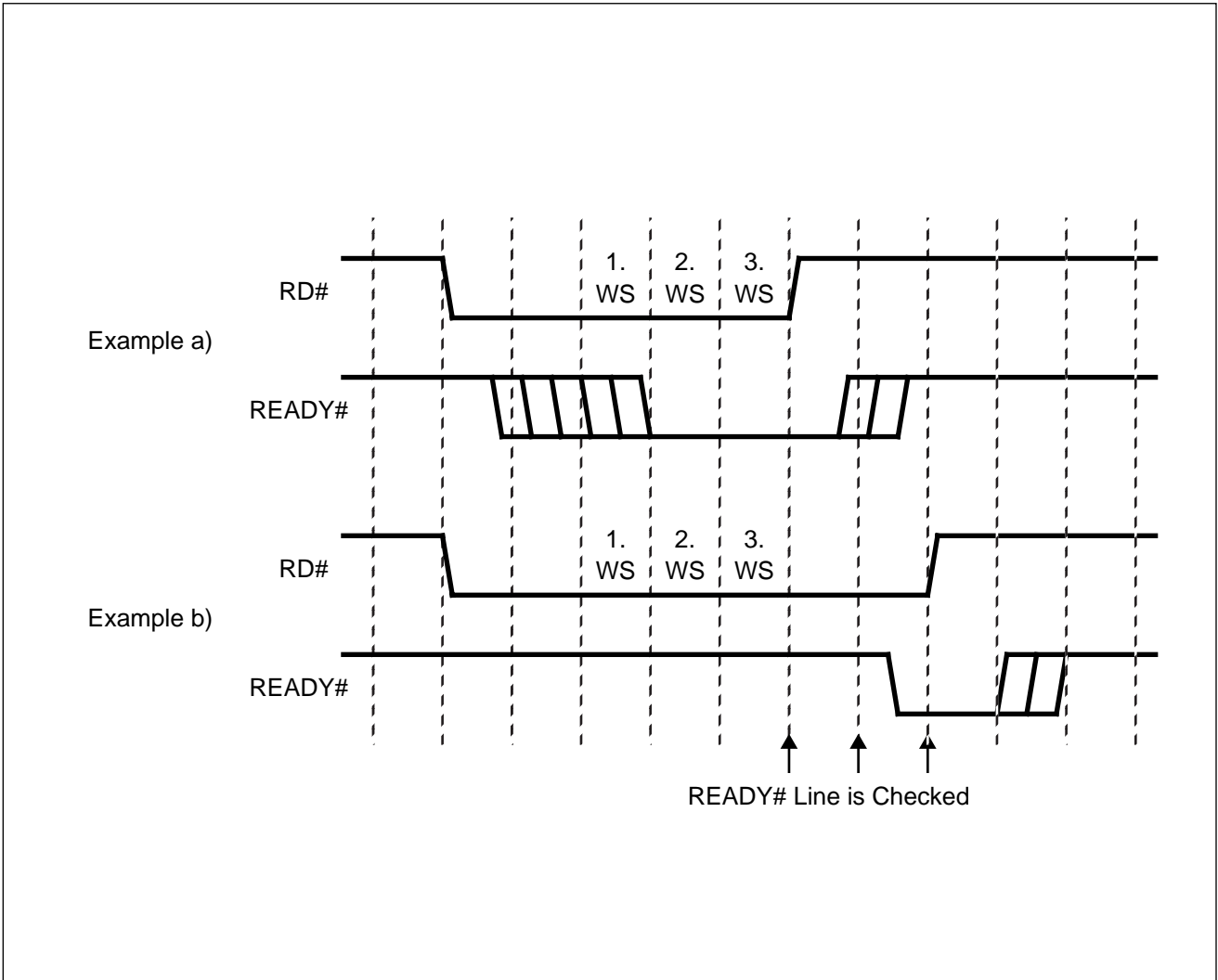


Figure 6.1
Using READY and Wait-States

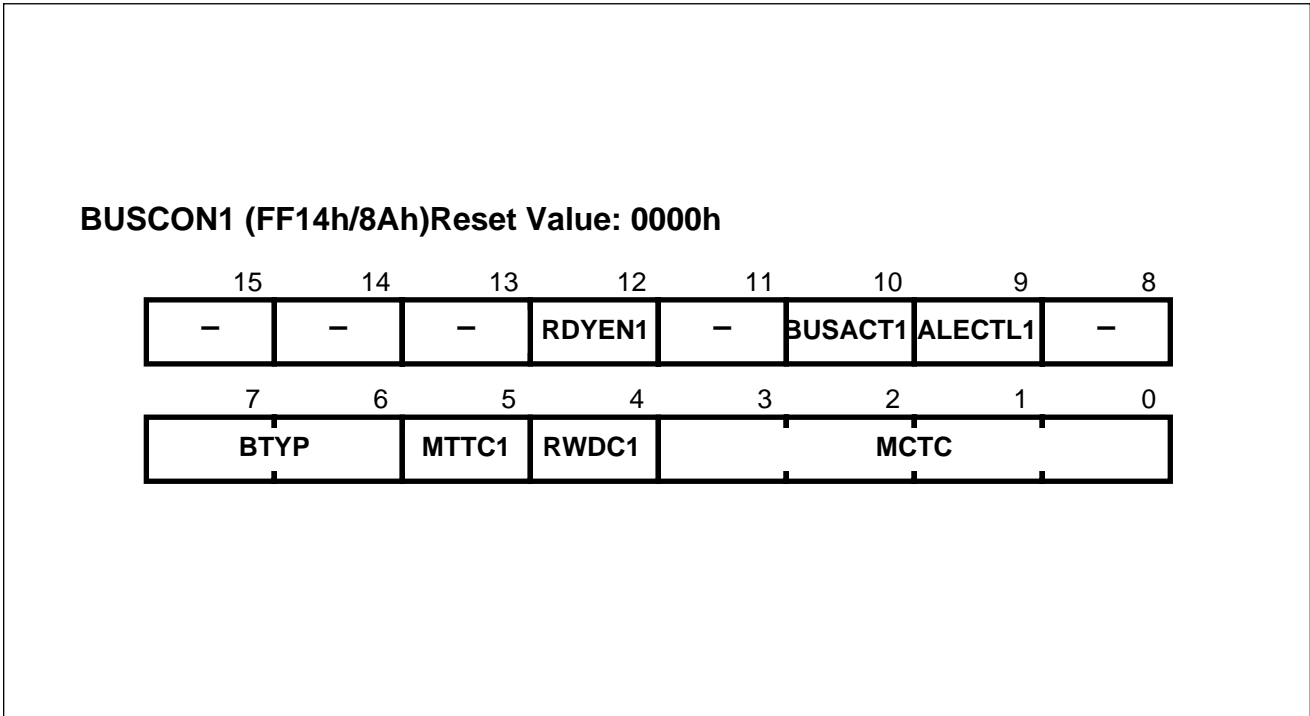


Figure 7.1
Bus Configuration Register BUSCON1

Symbol	Position	Function
MCTC	BUSCON1 [3 ..0]	Memory Cycle Time Control.
RWDC	BUSCON1.4	Read/Write Delay Control.
MTTC1	BUSCON1.5	Memory Tri-state Time Control.
BTYP	BUSCON1 [7 .. 6]	External Bus Configuration Control. See description for details.
-	BUSCON1.8	(reserved)
ALECTL1	BUSCON1.9	ALE Lengthening Control Bit.
BUSACT1	BUSCON1.10	Bus Active Control Bit. See description for details.
-	BUSCON1.11	(reserved)
RDYEN1	BUSCON1.12	READY# Input Enabled control bit: RDYEN1 = 0: READY# function disabled for BUSCON1 accesses RDYEN1 = 1: READY# function enabled for BUSCON1 accesses
-	BUSCON [15 .. 13]	(reserved)

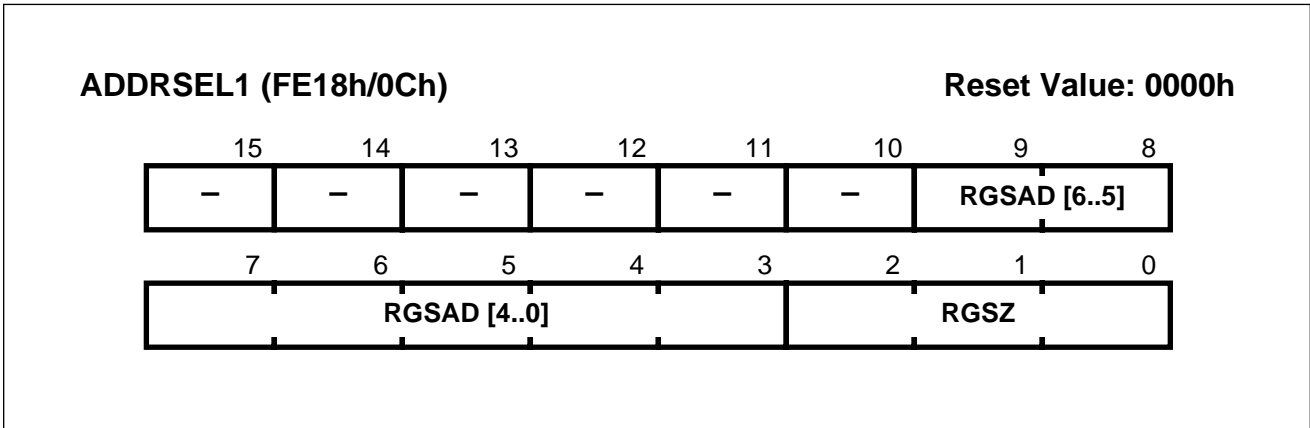


Figure 7.2
Address Select Register ADDRSEL1

Symbol	Position	Function
RGSZ	ADDRSEL1 [2 .. 0]	BUSCON1 Address Range Selection. See description for details.
RGSAD	ADDRSEL1 [9 .. 3]	BUSCON1 Address Range Start Address Selection. See description for details
-	ADDRSEL1 [15 .. 10]	(reserved)

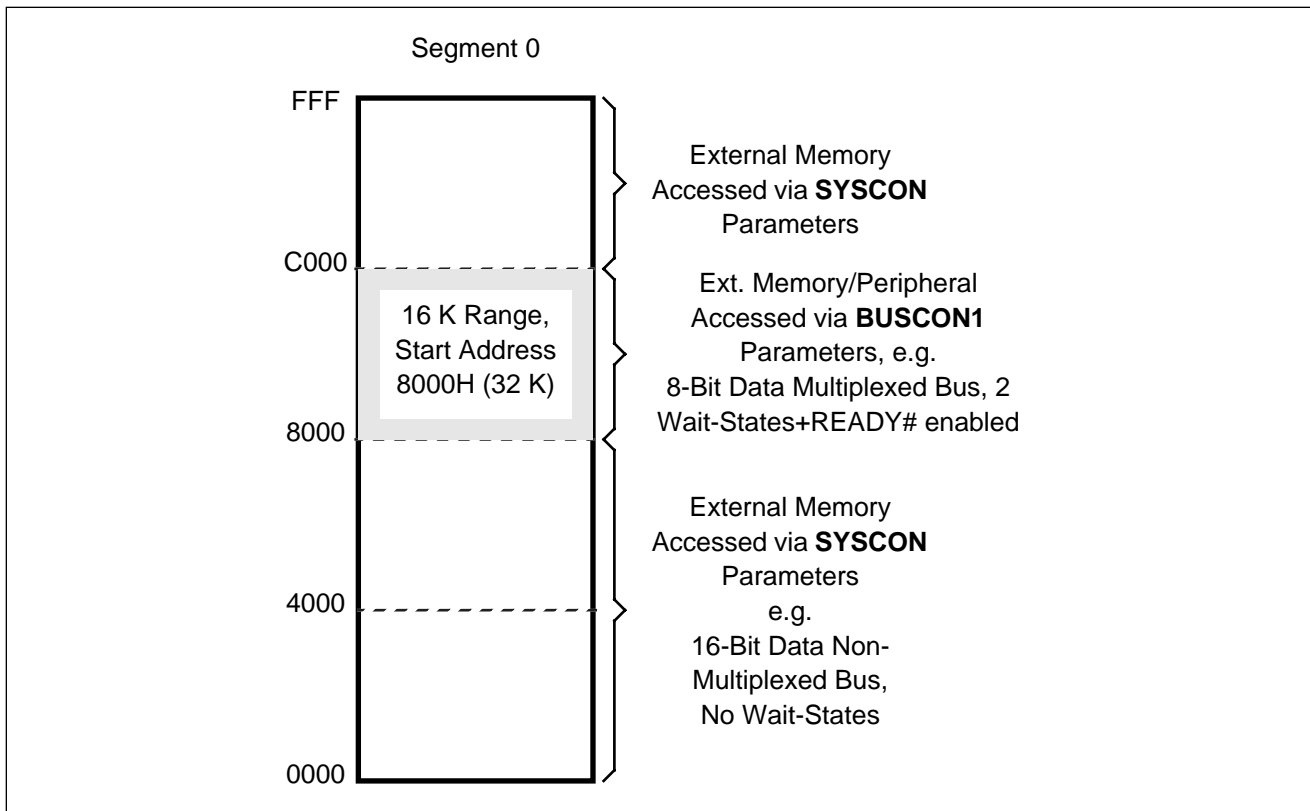


Figure 7.3
Example for Partitioning of the External Address Range via SYSCON and BUSCON1 (Non-Segmented Mode)

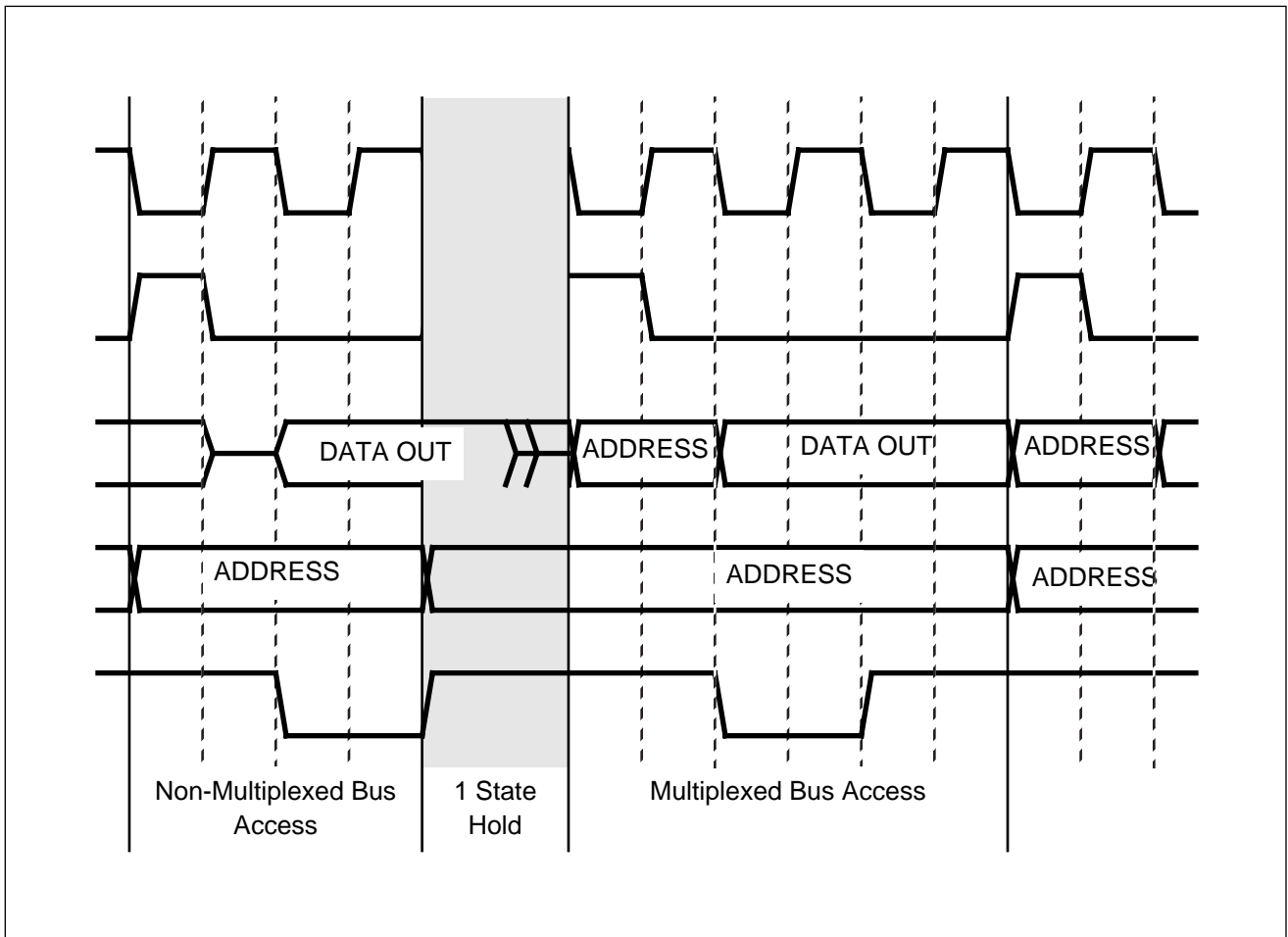


Figure 8.1
Switching from Non-Multiplexed Bus to Multiplexed Bus

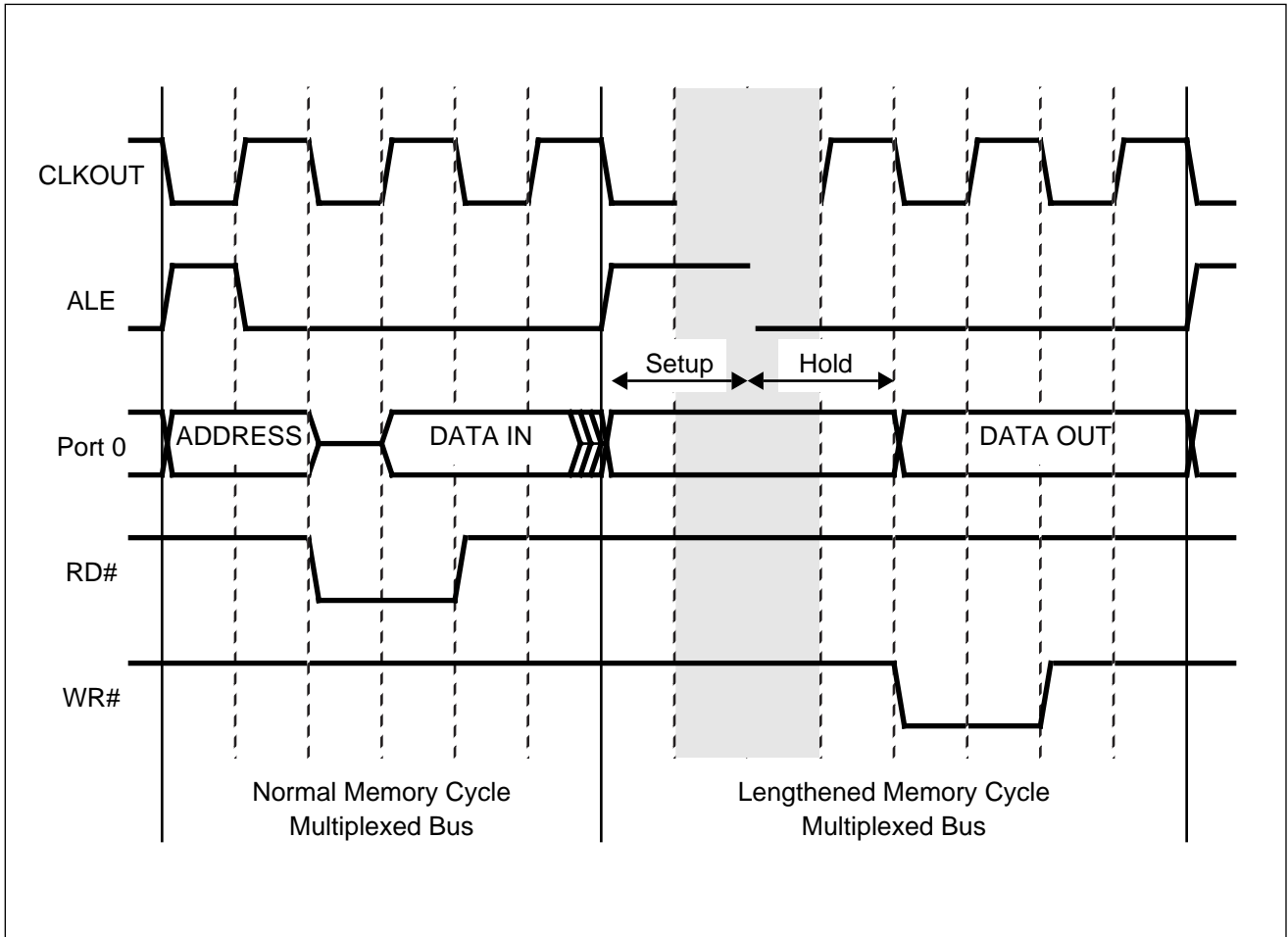


Figure 9.1
Timing with ALE Lengthening (Multiplexed Bus)

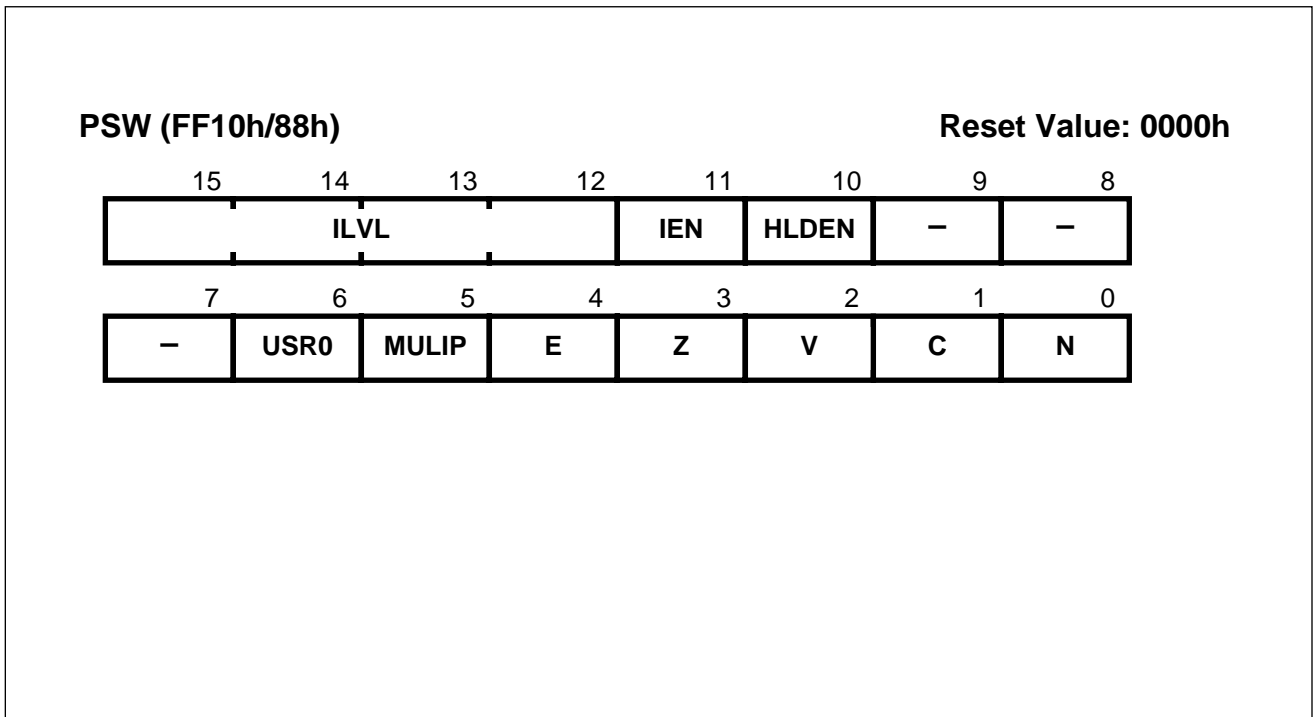


Figure 11.1
Processor Status Word Register PSW

Symbol	Position	Function
N	PSW.0	This bit represents a negative result from the ALU.
C	PSW.1	This bit represents a carry result from the ALU.
V	PSW.2	This bit represents an overflow result from the ALU.
Z	PSW.3	This bit represents a zero result from the ALU.
E	PSW.4	This bit supports table search operation by signifying the end of a table.
MULIP	PSW.5	This bit specifies that a multiply/divide operation was interrupted before completion. MULIP = 0: No multiply/divide operation in progress. MULIP = 1: Multiply/divide operation in progress.
USR0	PSW.6	This bit is provided as the user's general purpose flag.
HLDEN	PSW.10	Bus Arbitration (HOLD/HLDA/BREQ Enable Bit. See description chapter 11 for details. HLDEN = 0: HOLD/HLDA/BREQ disabled. HLDEN = 1: HOLD/HLDA/BREQ enabled; Pins P2.13-P2.15 used for these functions
IEN	PSW.11	This bit globally enables or disables acceptance of interrupts. IEN = 0: CPU Interrupts disabled. IEN = 1: CPU Interrupts enabled.
ILVL	PSW [15 .. 12]	This field represents the current interrupt level being serviced by the CPU. Upon entry into an interrupt routine, the four bits of the priority level of the acknowledged interrupt are copied into this field. By modifying this field, the priority level of the current CPU task can be programmed.
-		(reserved)

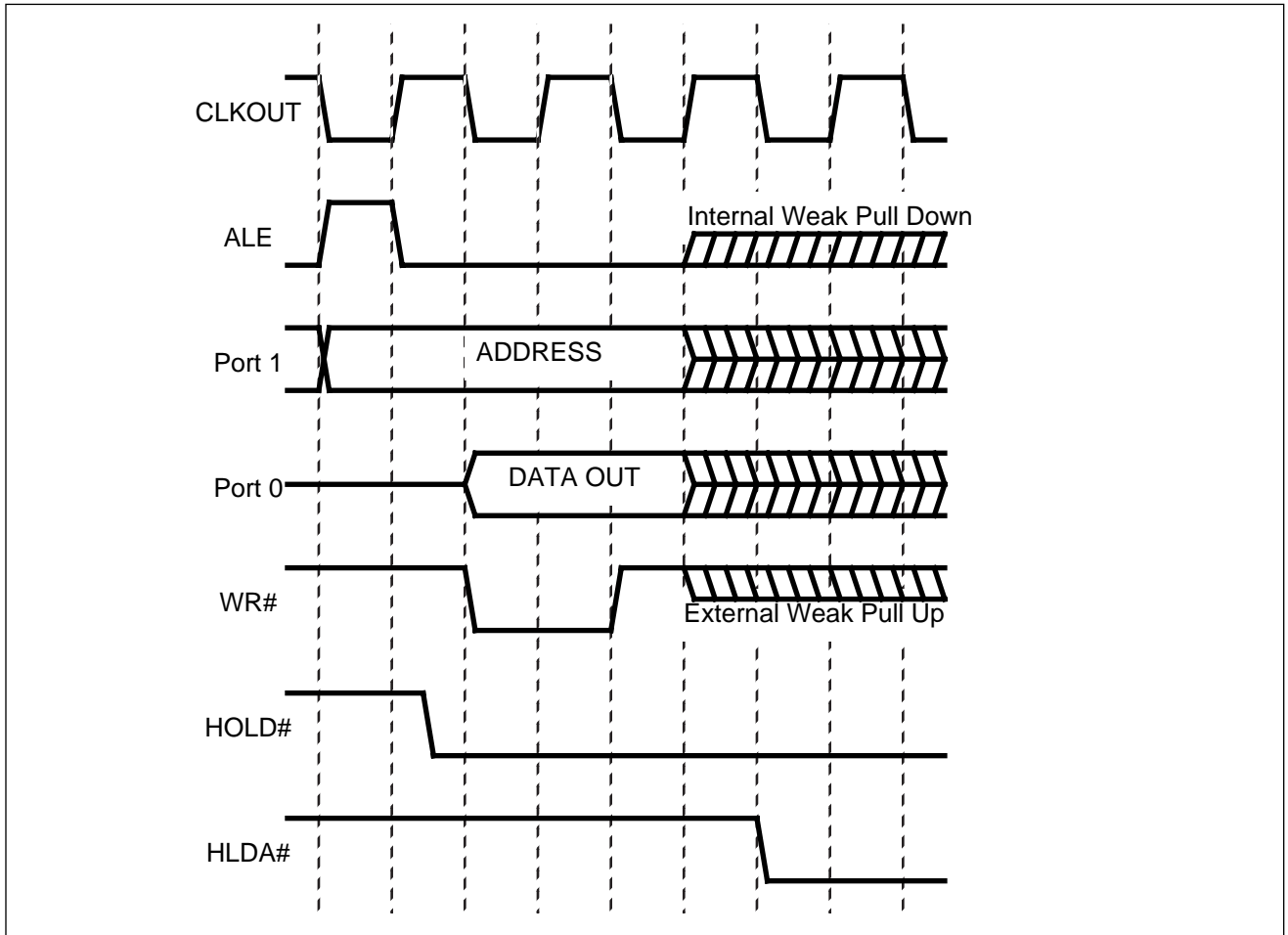


Figure 11.2
Timing for Entry into Hold (Non-Multiplexed Bus)

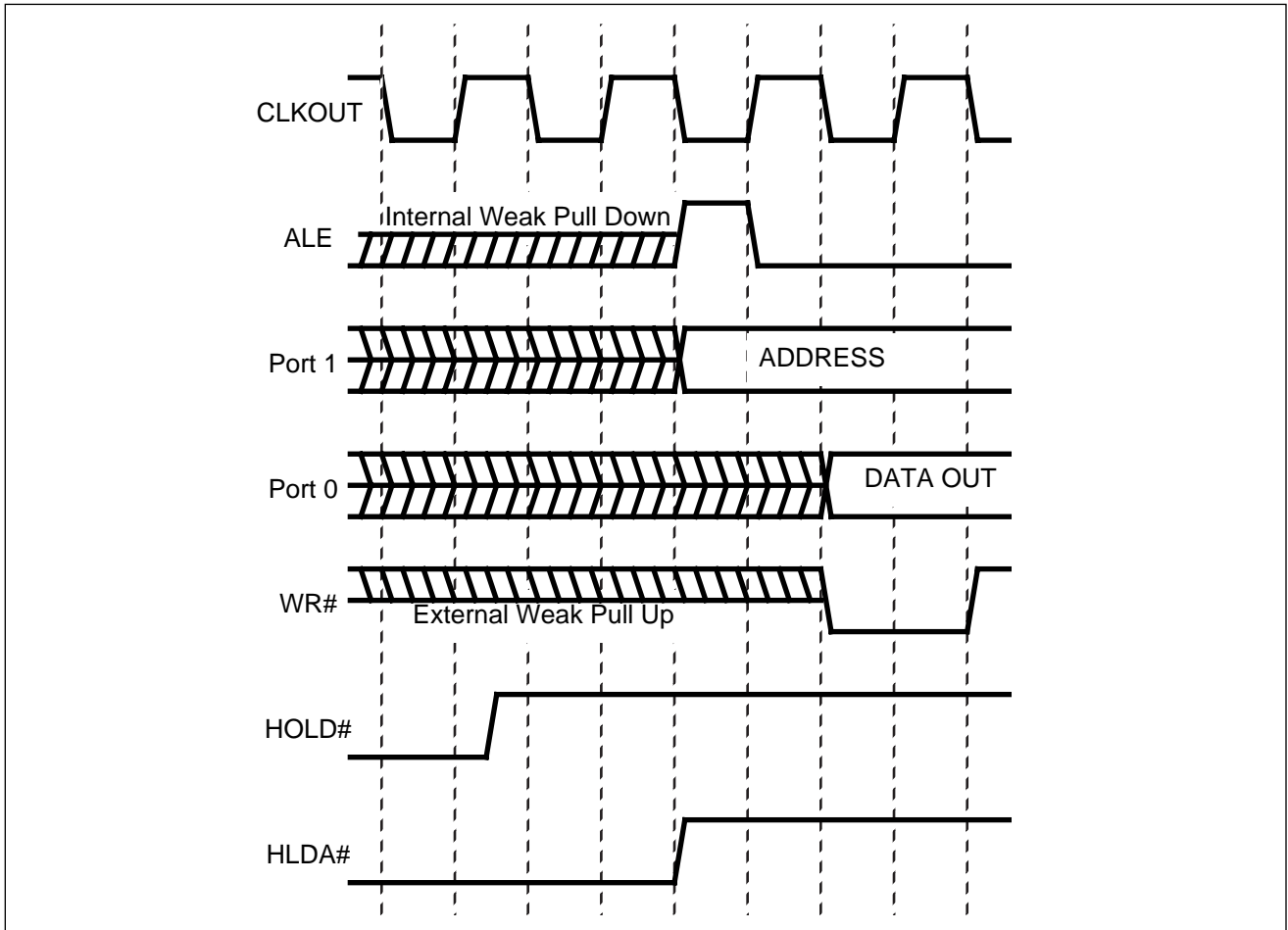


Figure 11.3
Timing for Exit from Hold (Non-Multiplexed Bus)