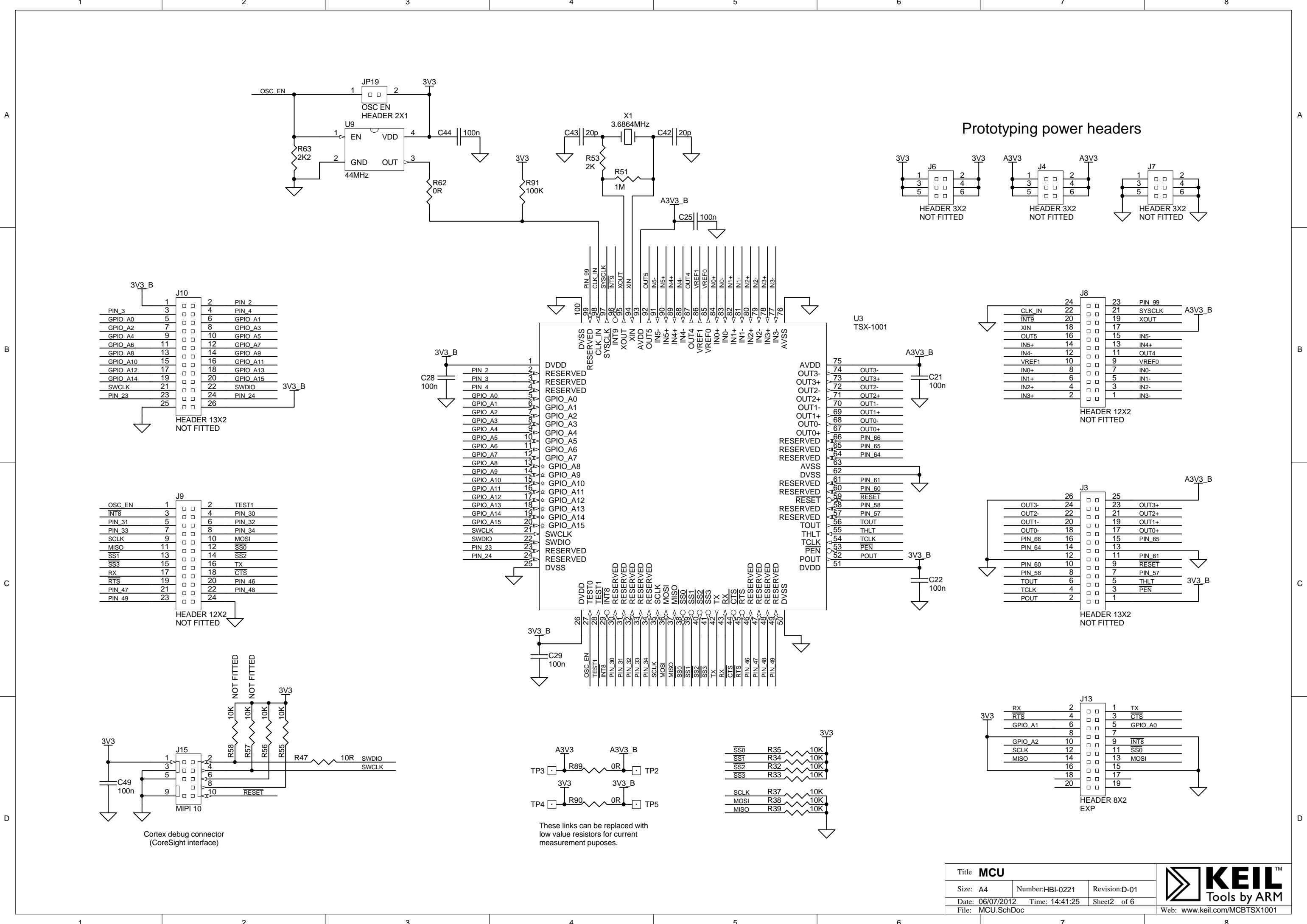
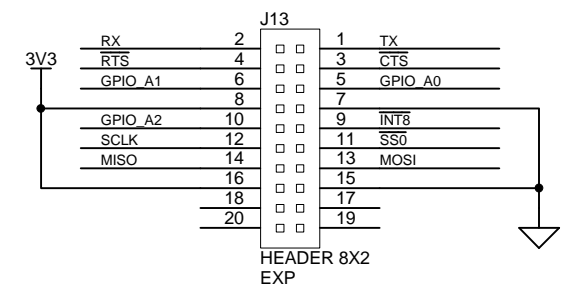
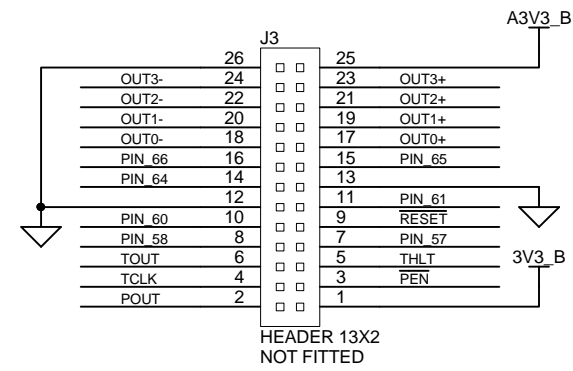
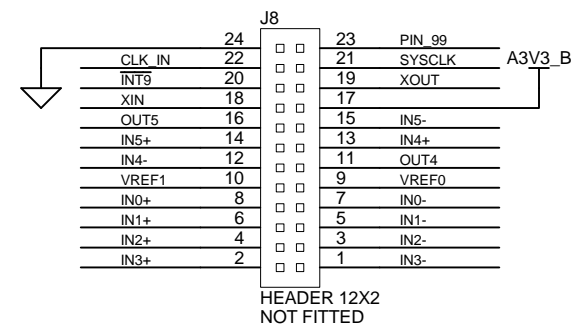
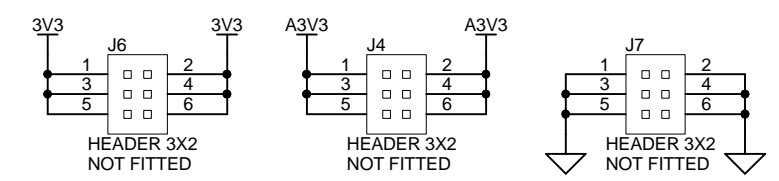


Title MCBTSX1001 Block Diagram		
Size: A4	Number: HBI-0221	Revision: D-01
Date: 06/07/2012	Time: 14:41:24	Sheet1 of 6
File: Block_Diagram.SchDoc		

KEILTM
Tools by ARM
Web: www.keil.com/MCBTSX1001



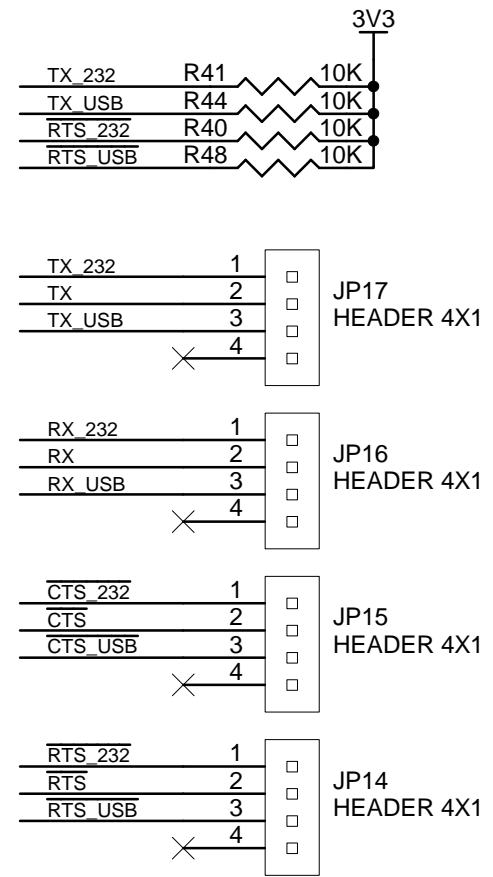
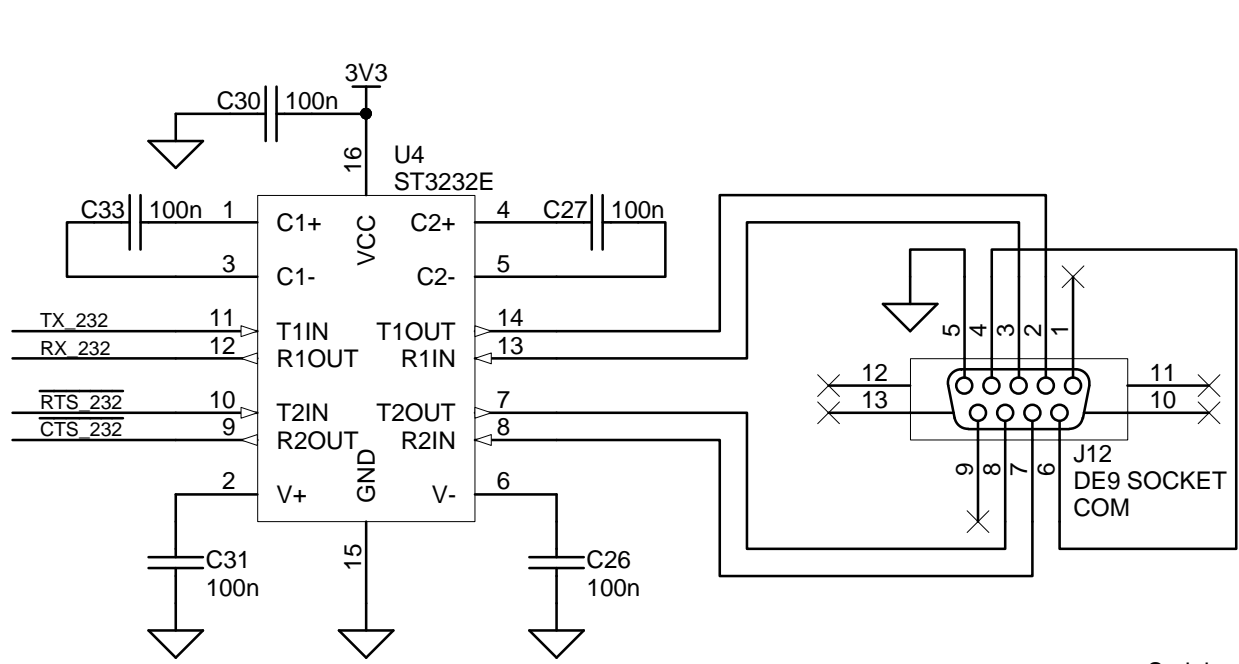
Prototyping power headers



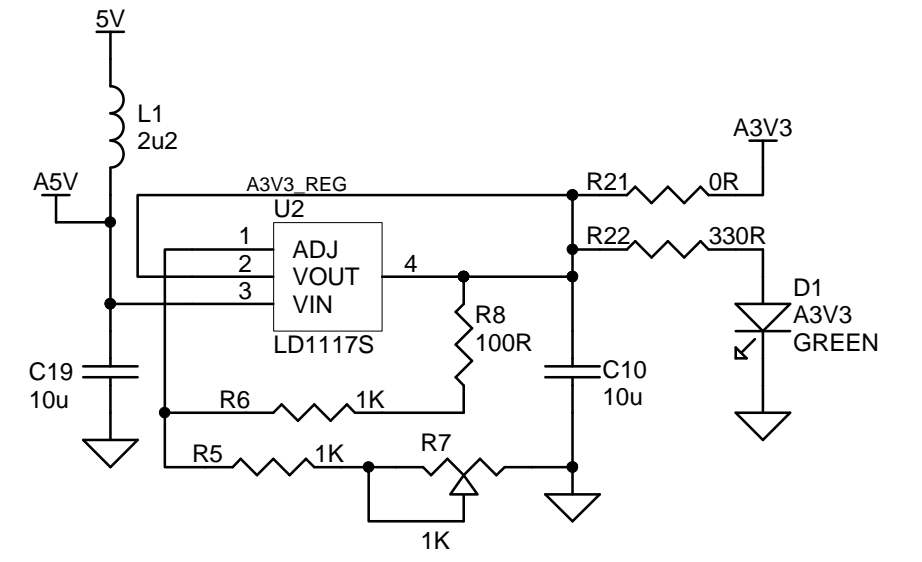
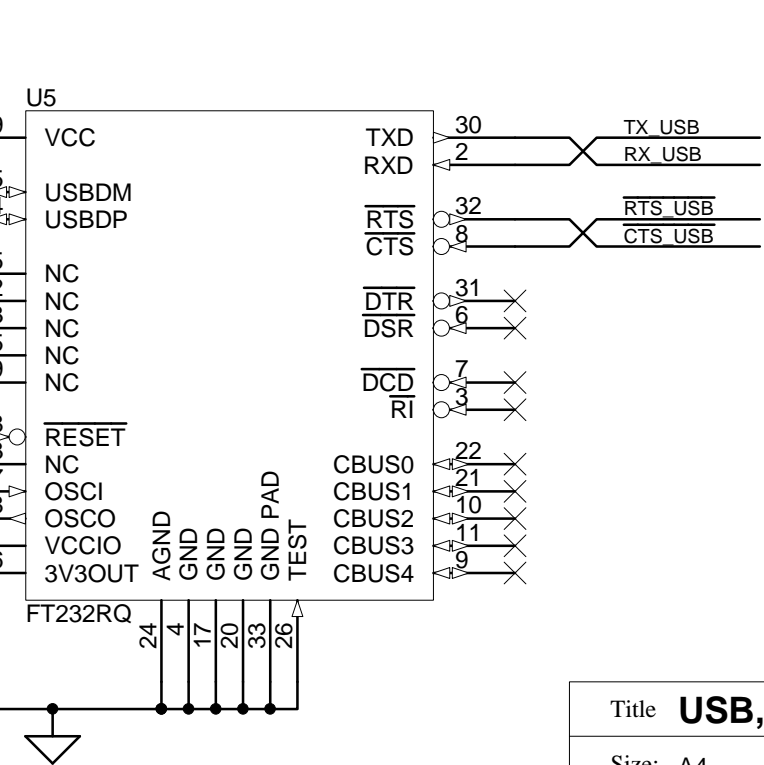
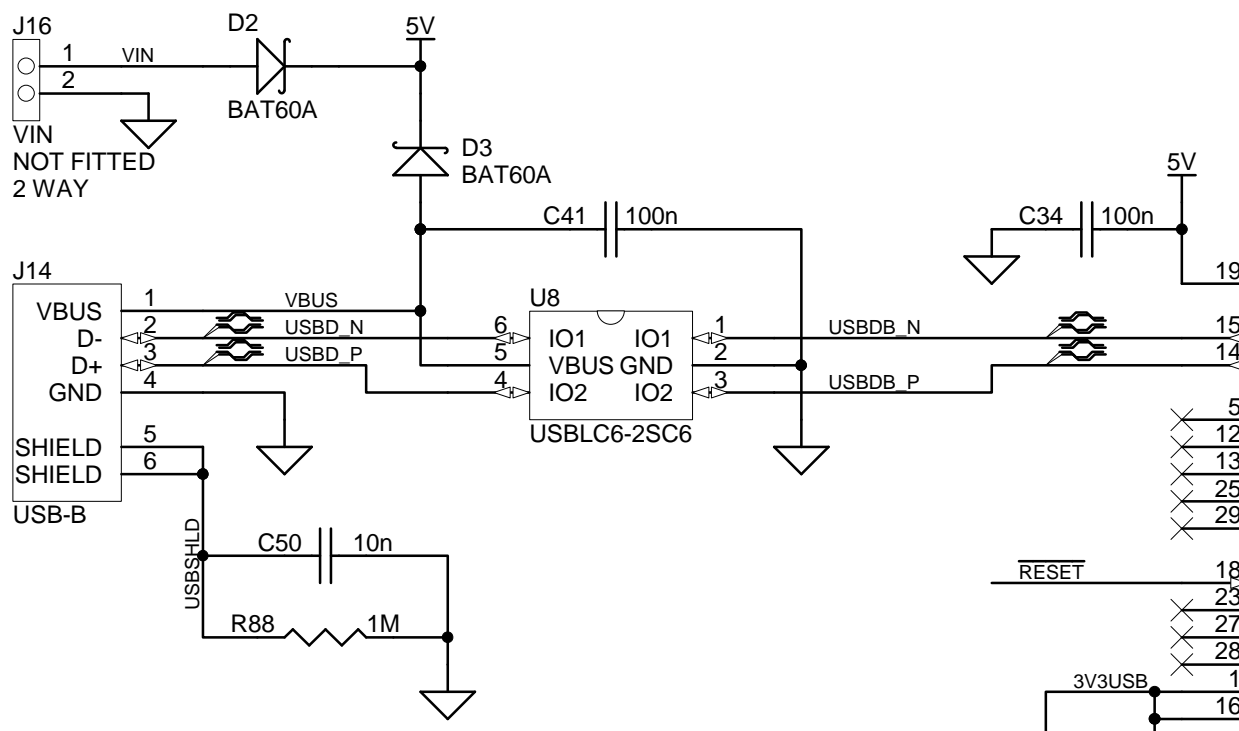
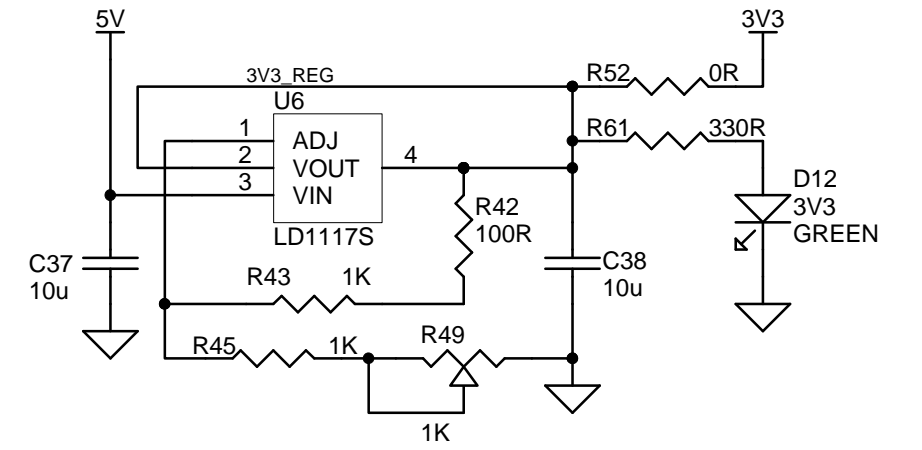
Cortex debug connector (CoreSight interface)

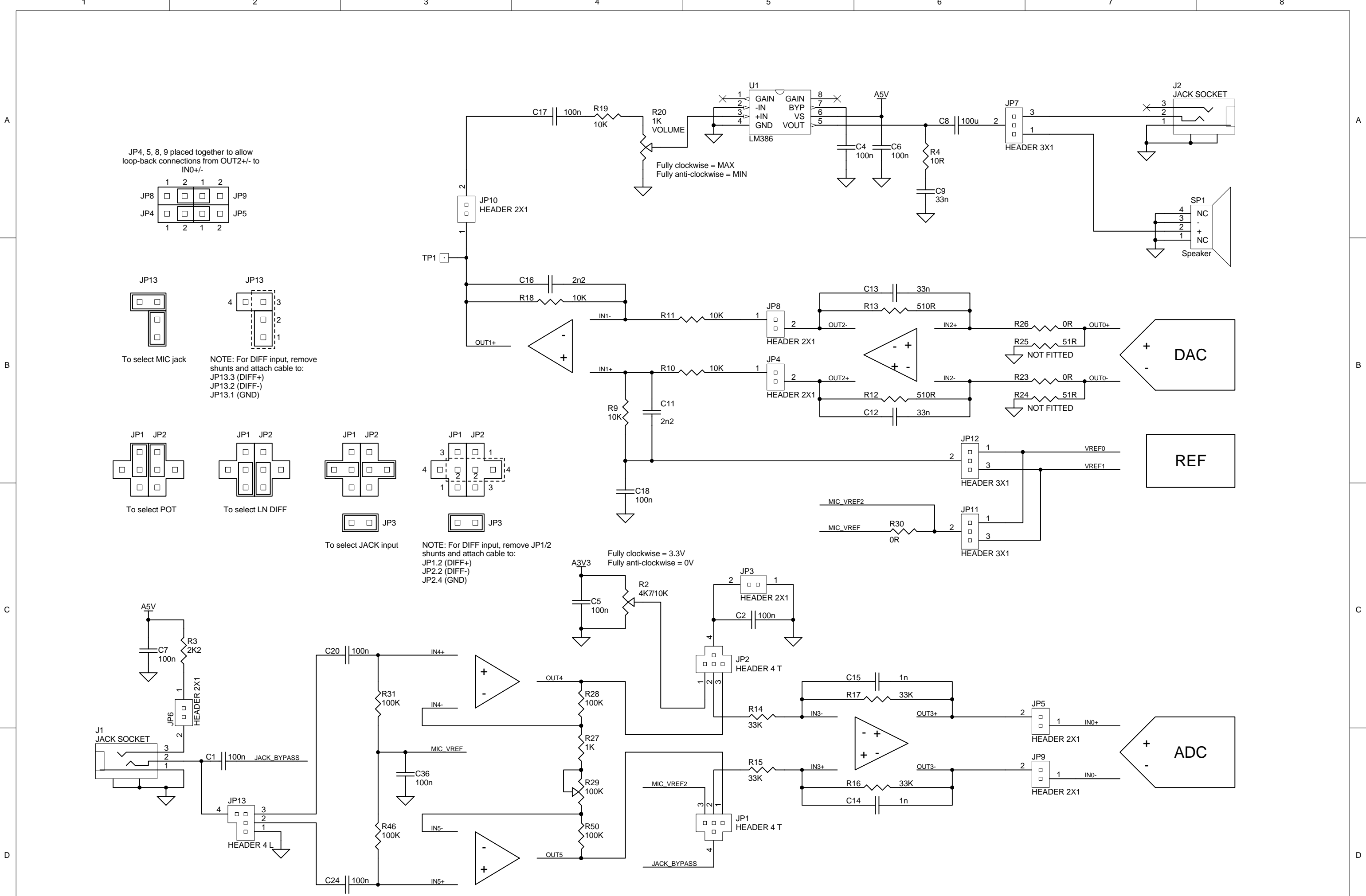
These links can be replaced with low value resistors for current measurement purposes.



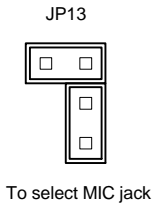
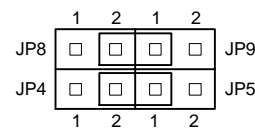


Serial port selection jumpers.
 1-2 RS232 interface
 2-3 USB interface
 3-4 Expansion interface



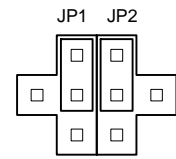


JP4, 5, 8, 9 placed together to allow loop-back connections from OUT2+/- to IN0+/-

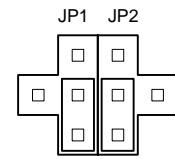


To select MIC jack

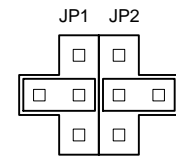
NOTE: For DIFF input, remove shunts and attach cable to:
 JP13.3 (DIFF+)
 JP13.2 (DIFF-)
 JP13.1 (GND)



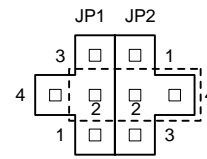
To select POT



To select LN DIFF

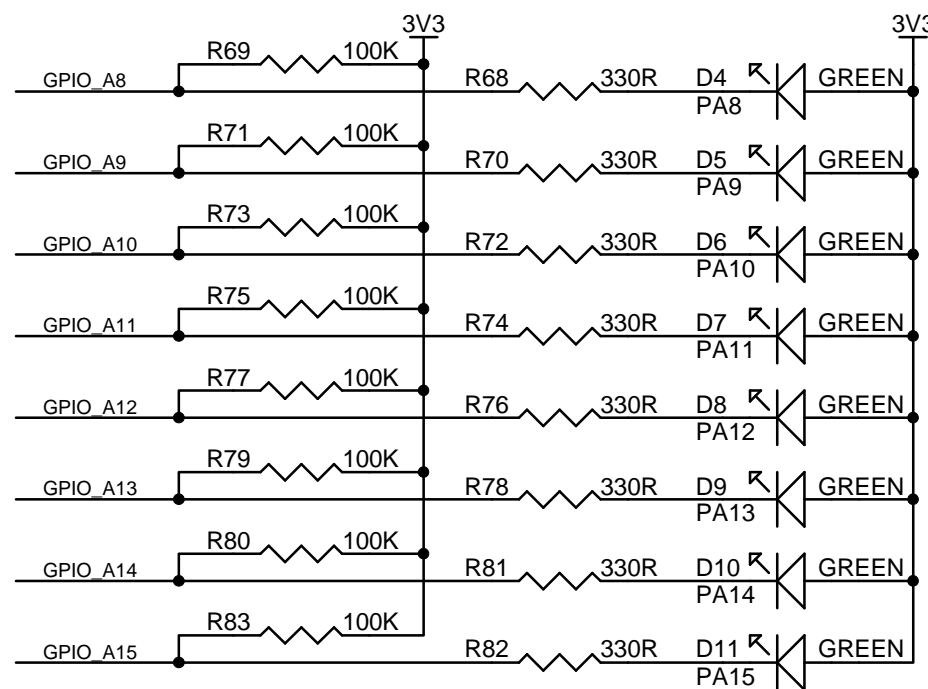
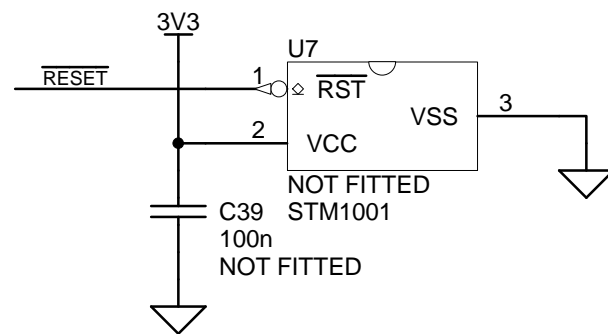
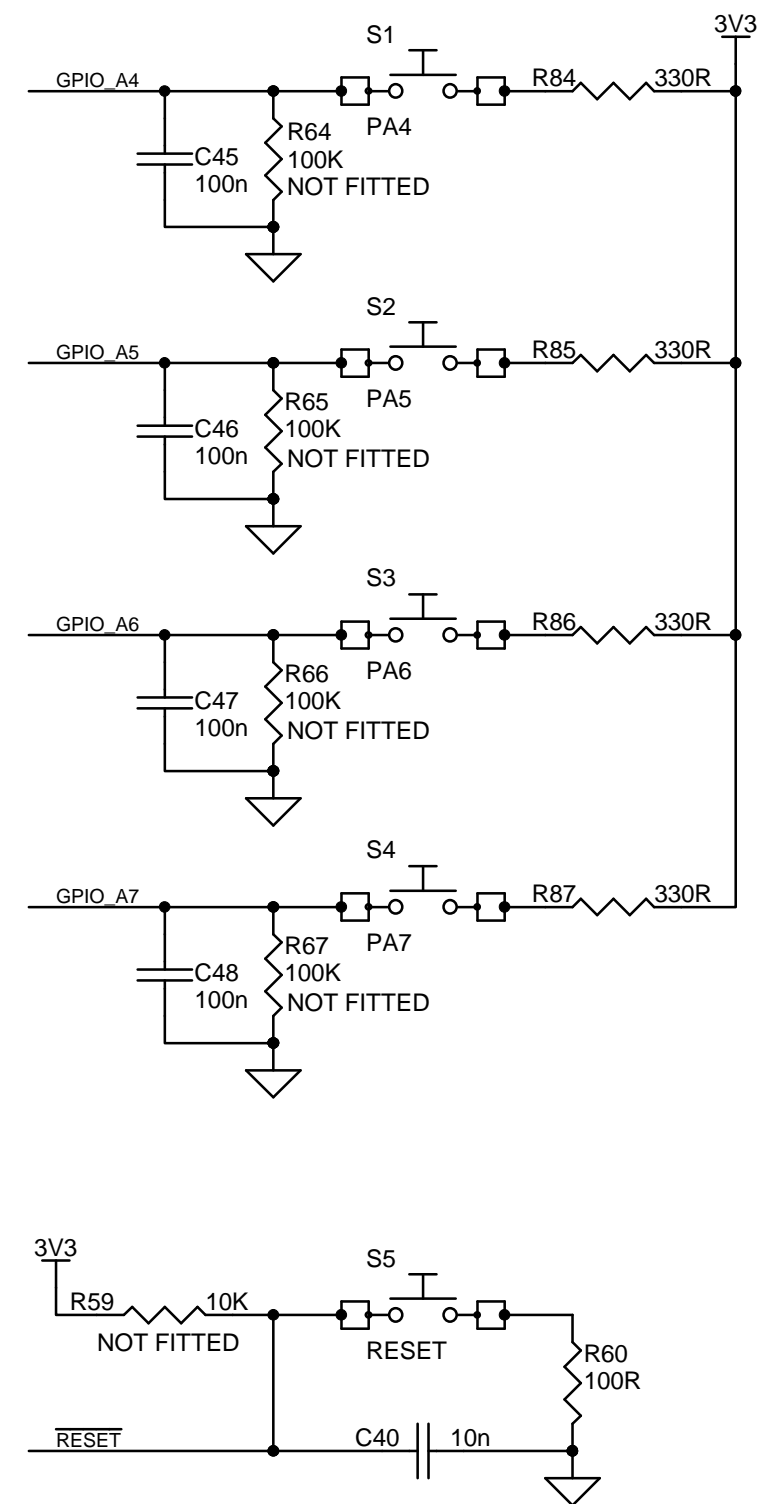
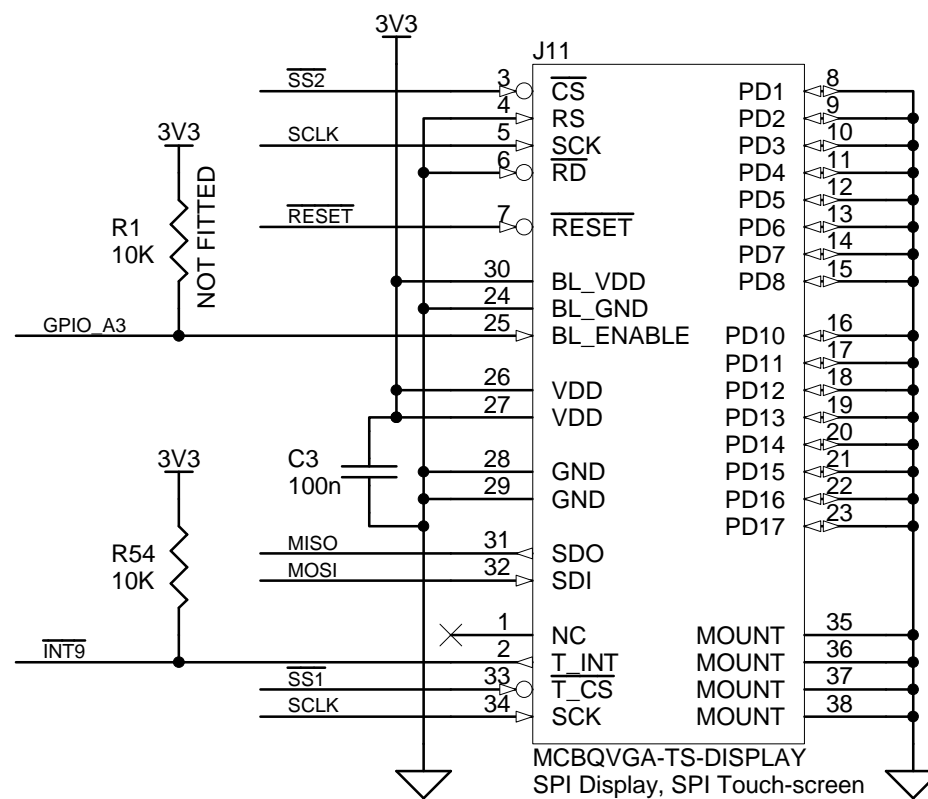
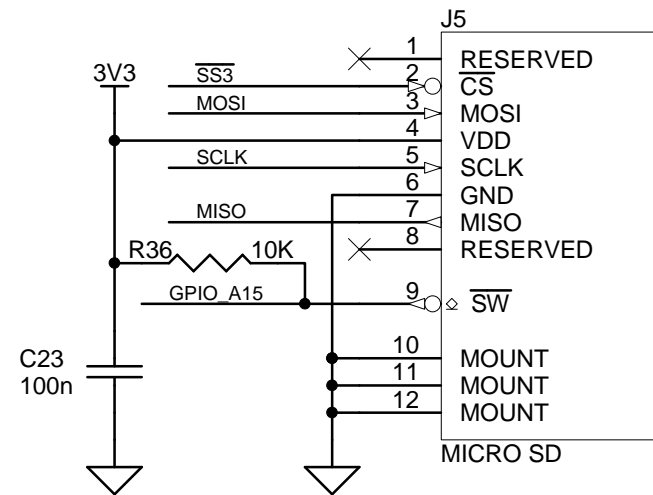


To select JACK input

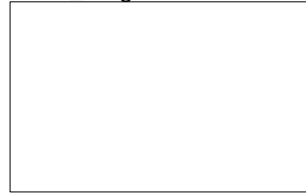


NOTE: For DIFF input, remove JP1/2 shunts and attach cable to:
 JP1.2 (DIFF+)
 JP2.2 (DIFF-)
 JP2.4 (GND)

Fully clockwise = 3.3V
 Fully anti-clockwise = 0V



Block Diagram
Block_Diagram.SchDoc



MCU
MCU.SchDoc



Misc
Misc.SchDoc



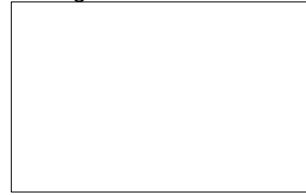
PCB text

www.keil.com/
MCBTSX1001
HPI-0221D
KEIL Tools by ARM (logo)
Descriptions on all jumper links
Descriptions on prototyping power pads
Descriptions on power LEDs
Polarity markings on VIN pads
microSD next to card connector
COM next to 9-way D connector
Cortex debug next to debug connector

USB, Power & Serial
USB_Power_Serial.SchDoc



Analog
Analog.SchDoc



Prototyping areas



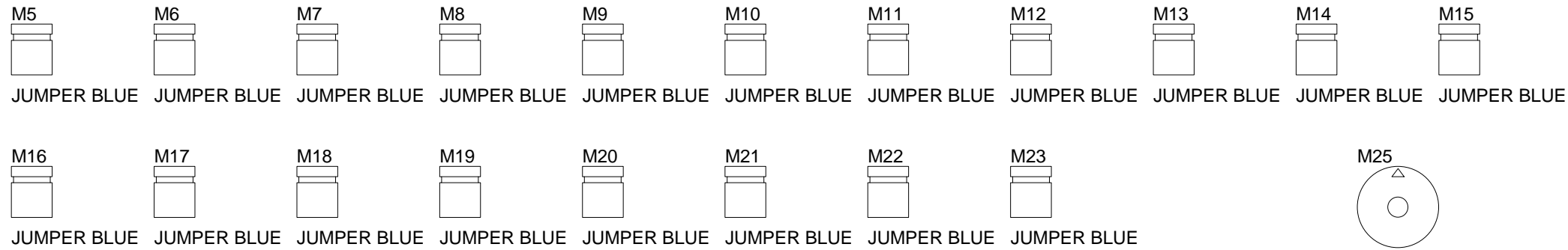
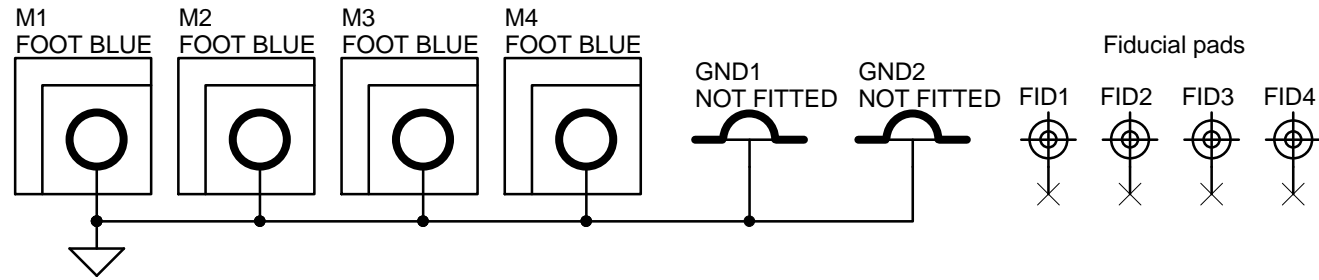
PROTO15X8X100TH



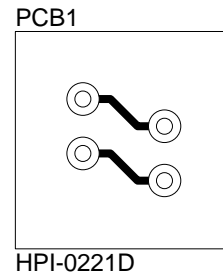
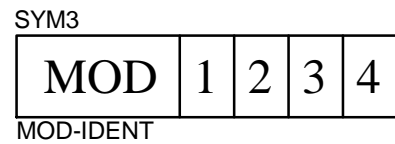
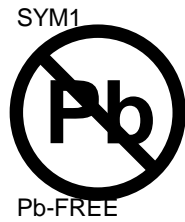
PROTO30X16X50SM



PROTO25X16X50SM



See Default_Jumper_Settings.pdf for jumper link placement.



NOTE - This sheet may be omitted from customer schematics

Title MCBTSX1001 Evaluation Board			
Size: A4	Number:HBI-0221	Revision:D-01	
Date: 06/07/2012	Time: 14:41:26	Sheet6 of 6	Web: www.keil.com/MCBTSX1001
File: MCBTSX1001.SchDoc			