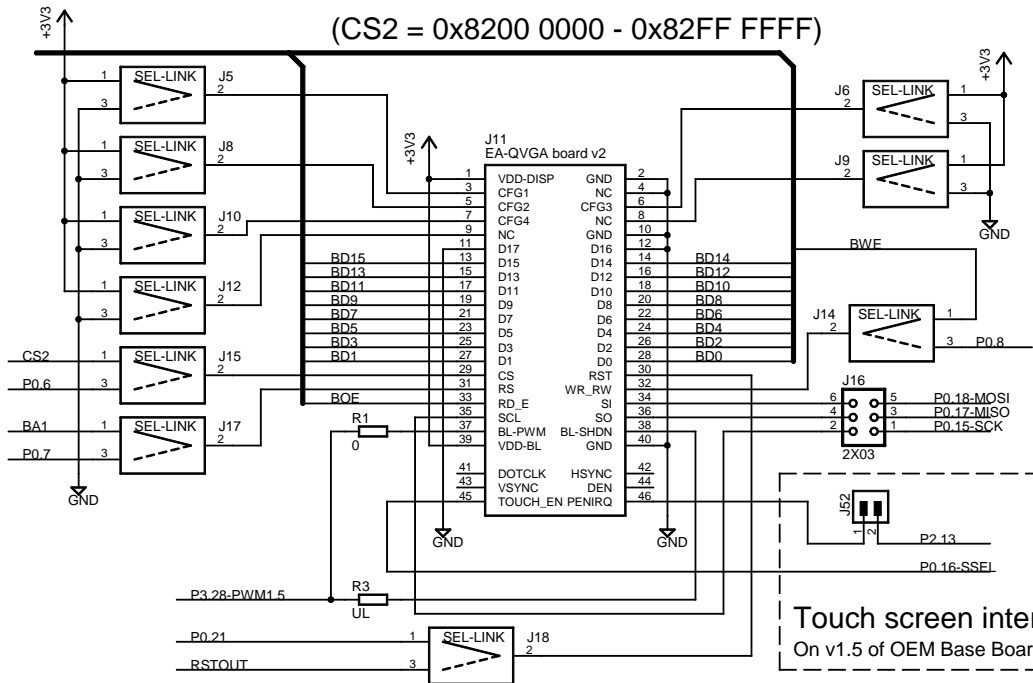
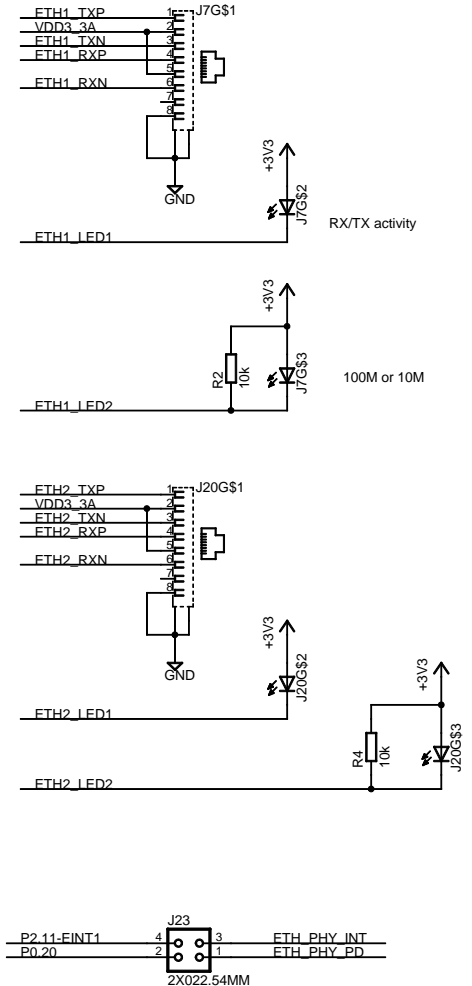


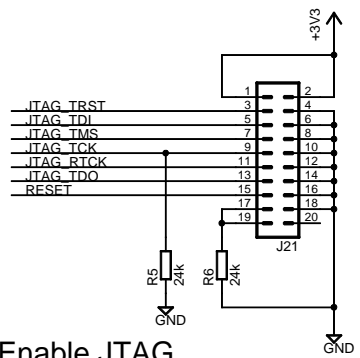
Connector for color QVGA LCD (CS2 = 0x8200 0000 - 0x82FF FFFF)



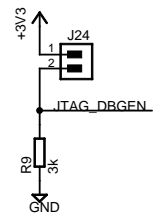
RJ45 Ethernet connector



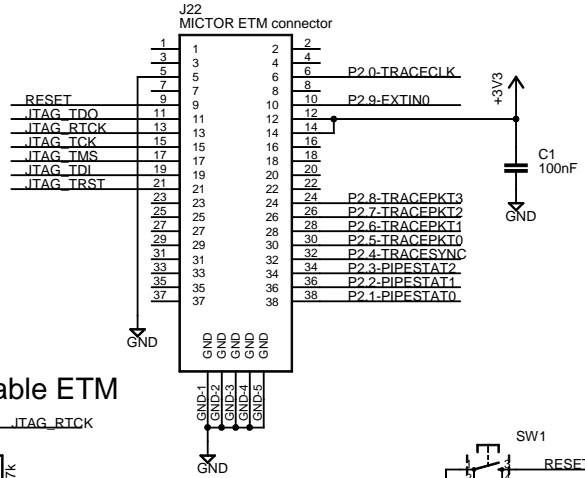
JTAG interface



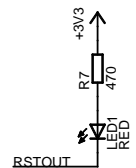
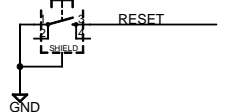
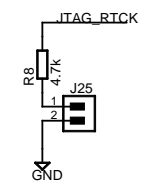
Enable JTAG



ETM

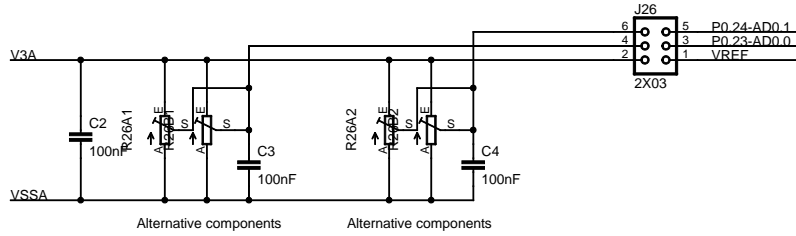


Enable ETM

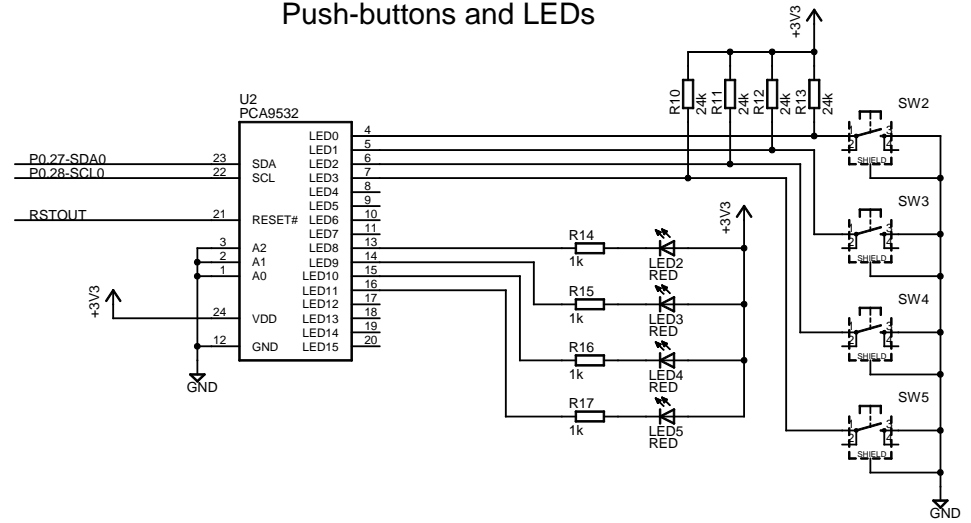


TITLE: OEM Base Board Basic v1.5.1	
Document Number:	REV:
Date: 2007-11-25 15:30:32	Sheet: 2/5

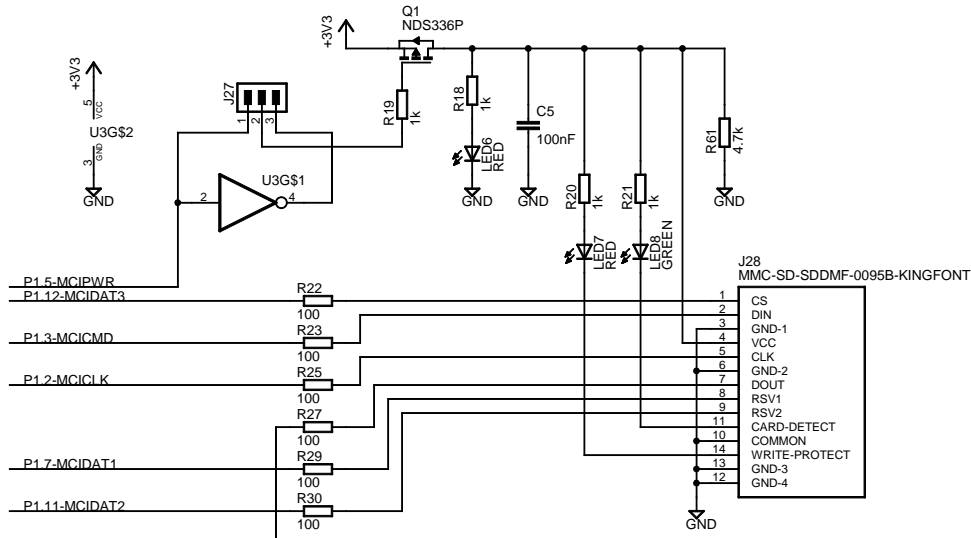
Analog inputs



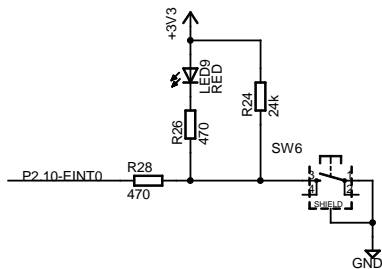
Push-buttons and LEDs



MMC/SD Memory Card I/F

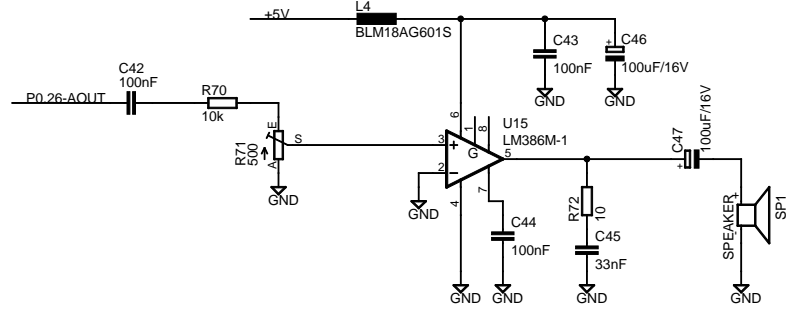


Interrupt (P2.10) key



On v1.5 of OEM Base Board

Speaker amplifier



TITLE: OEM Base Board Basic v1.5.1

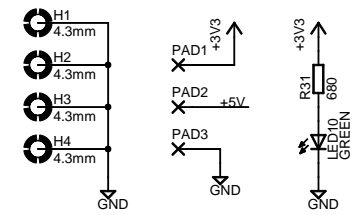
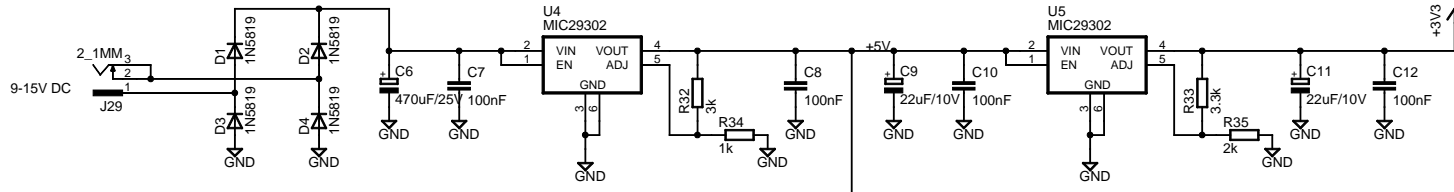
Document Number:

REV:

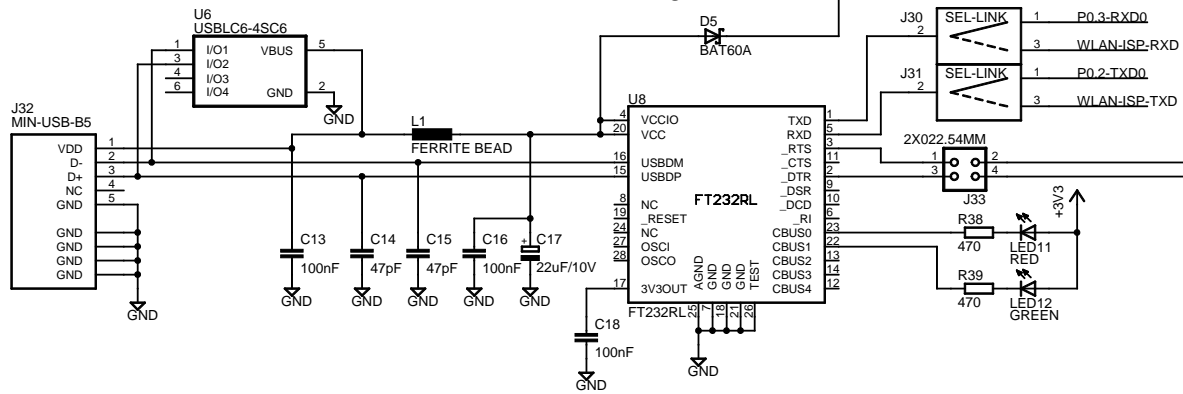
Date: 2007-11-25 15:30:32

Sheet: 3/5

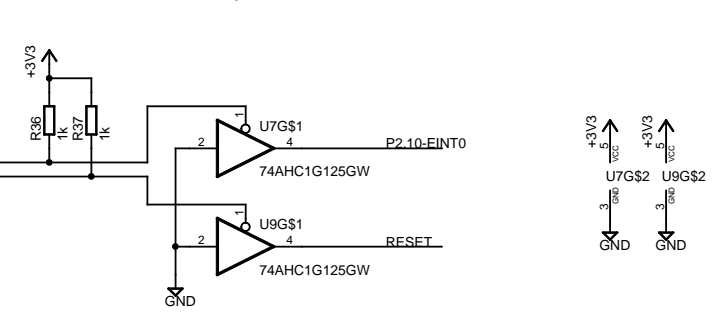
Power Supply



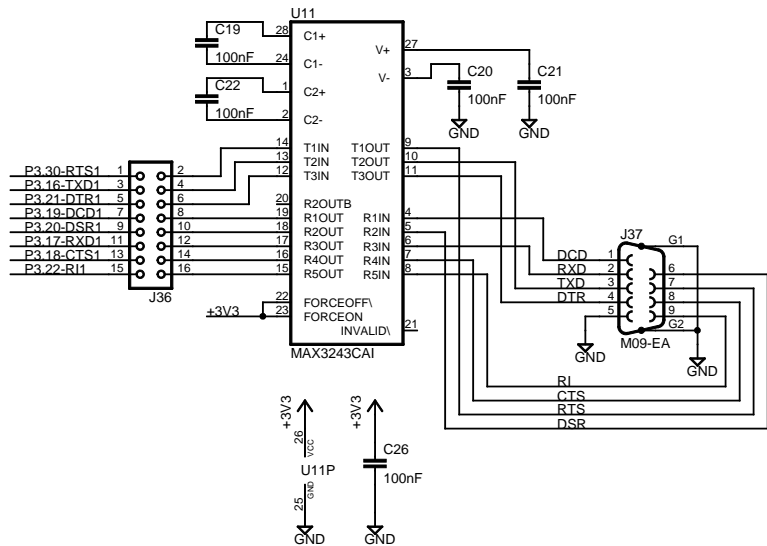
UART #0 over USB Serial Bridge



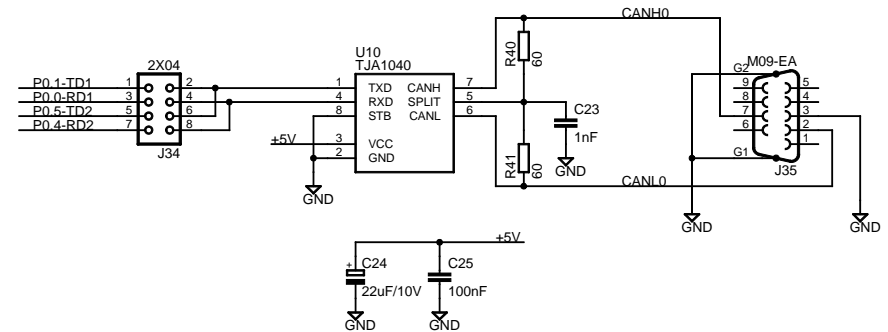
ISP functionality



UART #1 RS232 full modem



CAN transceiver

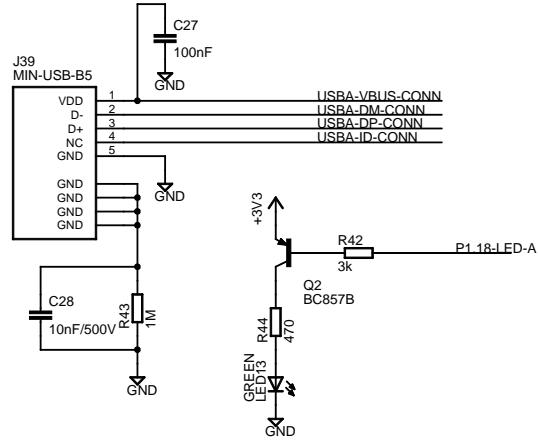


TITLE: OEM Base Board Basic v1.5.1

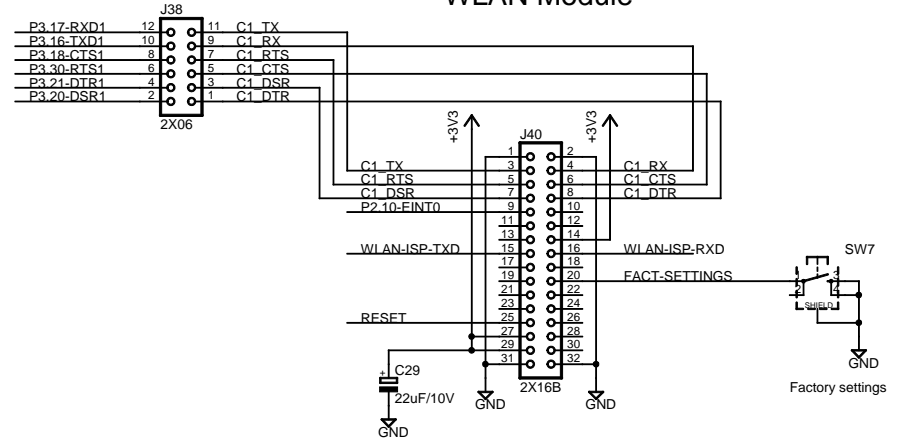
Document Number: _____ REV: _____

Date: 2007-11-25 15:30:32 Sheet: 4/5

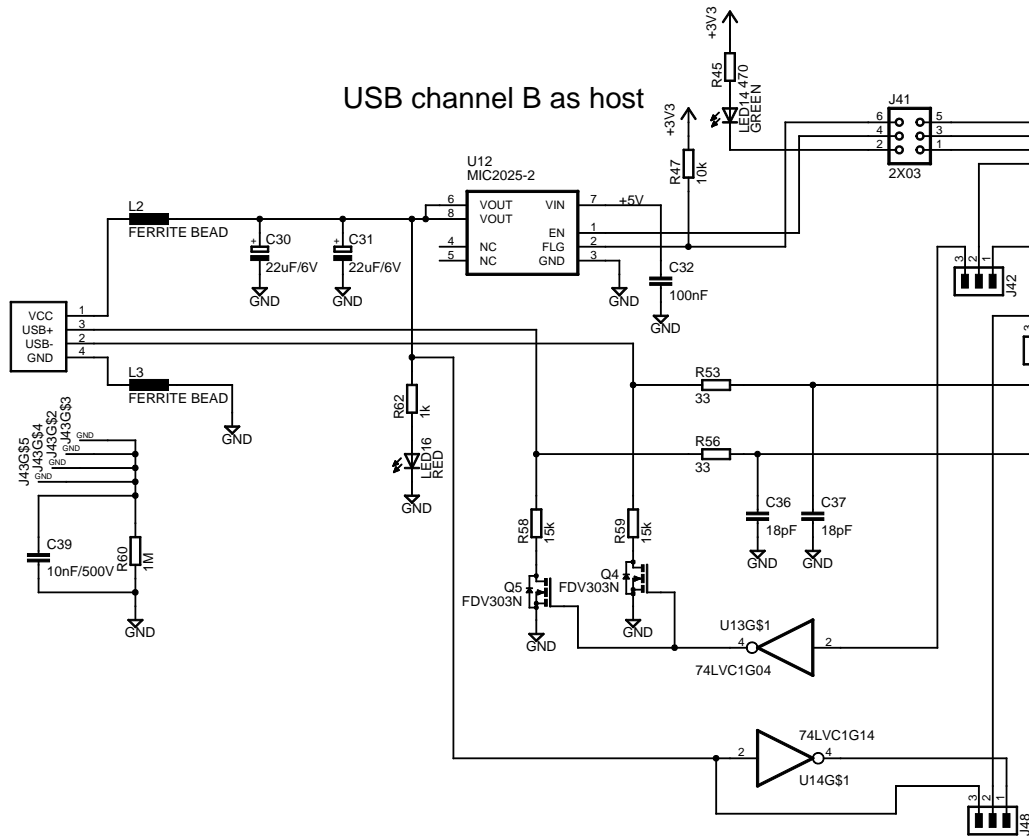
USB channel A (OTG)



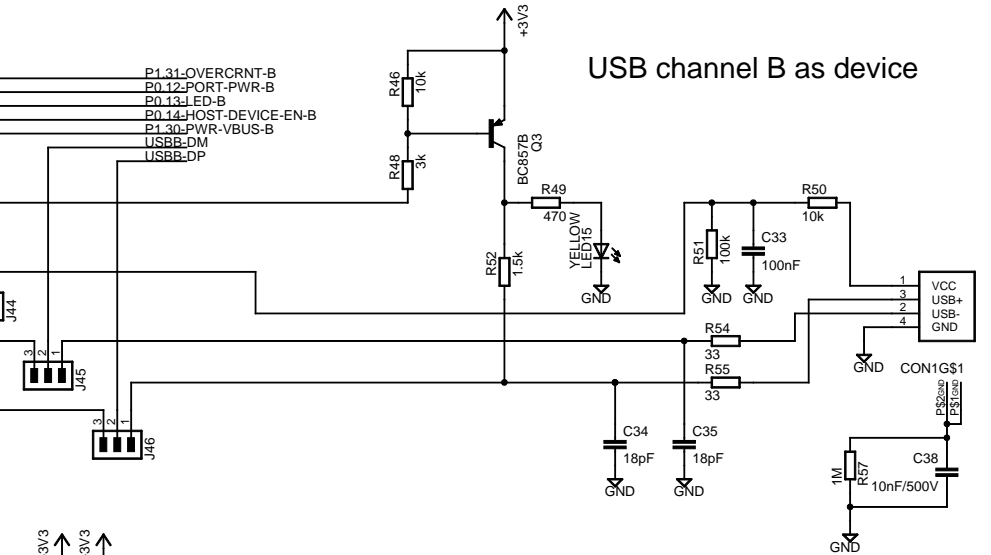
WLAN Module



USB channel B as host



USB channel B as device



TITLE: OEM Base Board Basic v1.5.1

Document Number:

REV:

Date: 2007-11-25 15:30:32

Sheet: 5/5