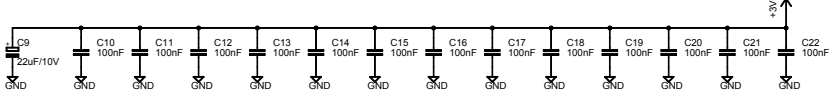
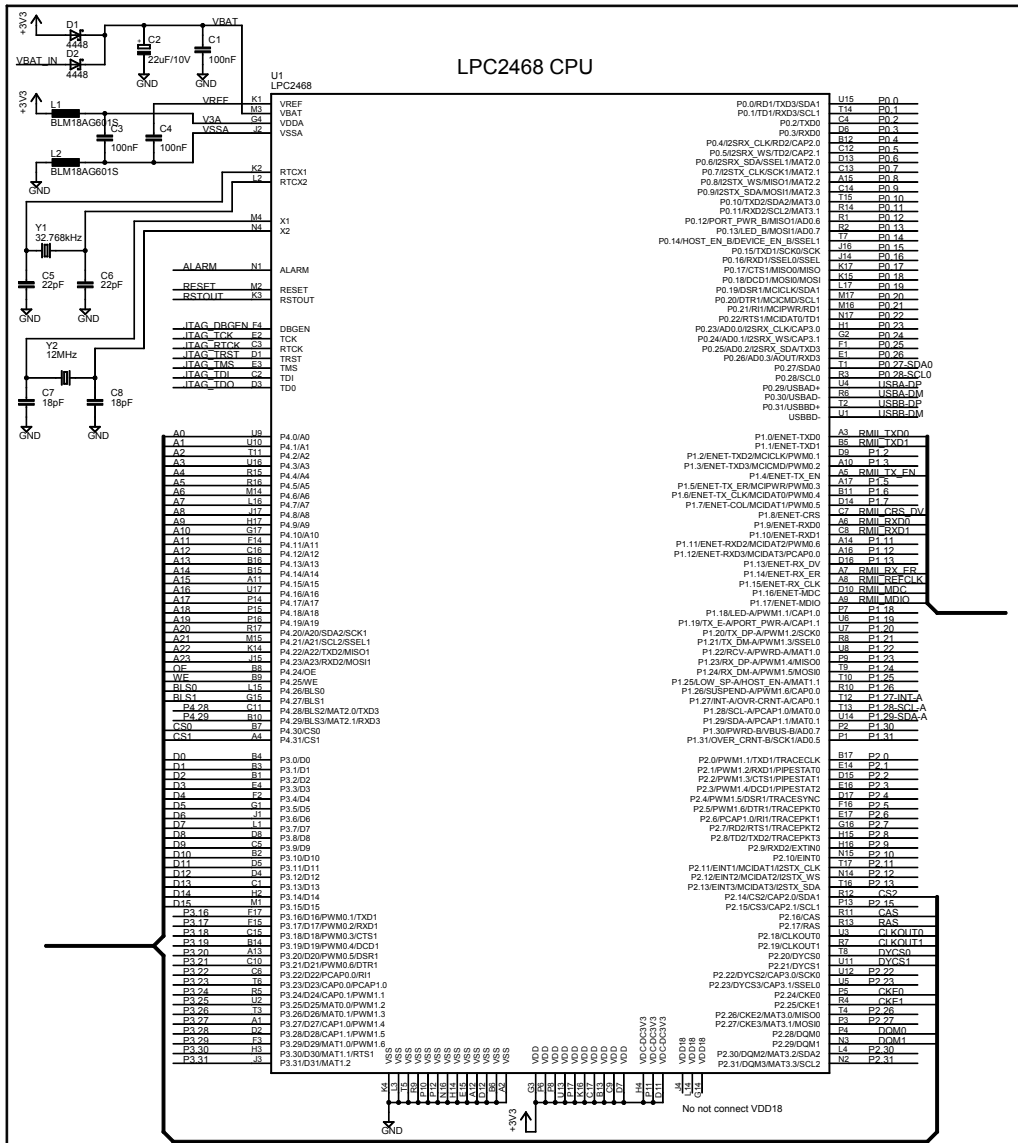


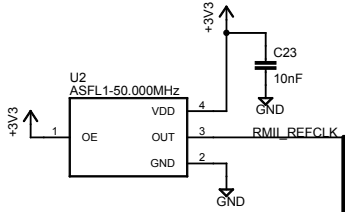
LPC2468 CPU



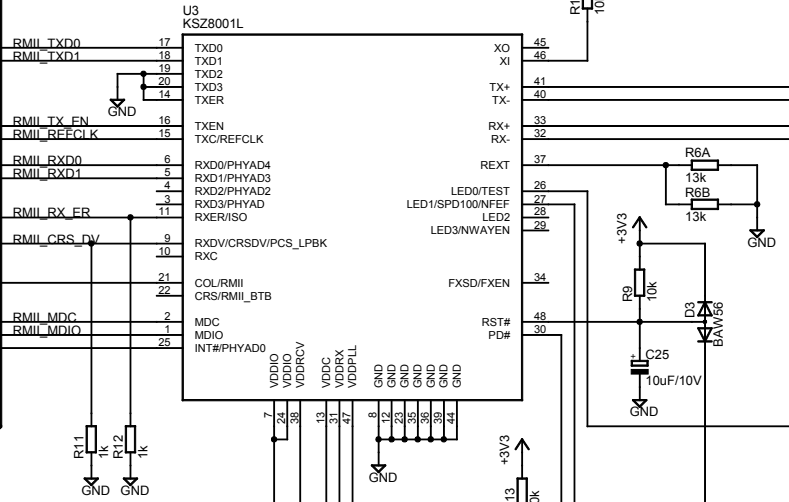
Place at U1, pin G3, P6, P8, U13, P17, K16, C17, B13, C9, D7, H4, P11, D11

TITLE: LPC2468 OEM Board v2.0.0	
Document Number:	REV:
Date: 2007-11-15 22:01:58	Sheet 1/6

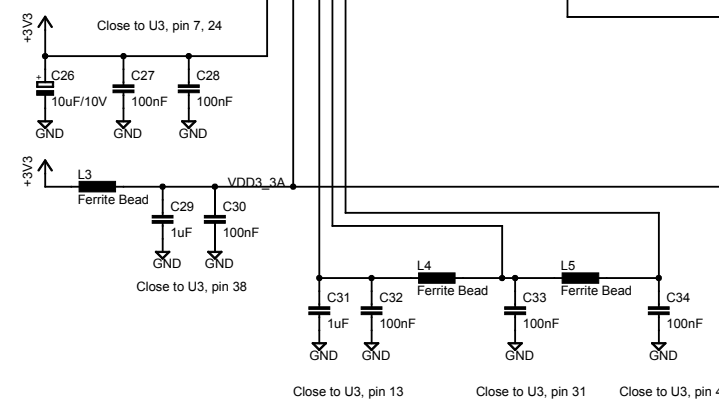
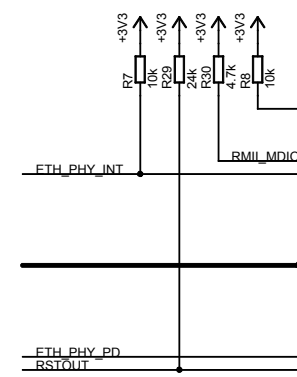
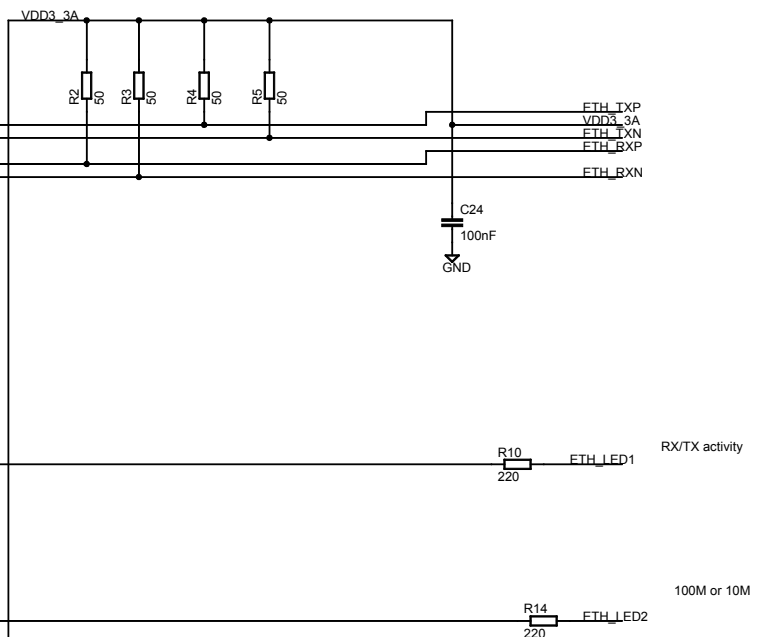
50MHz oscillator



KSZ8001L 100/10M Ethernet PHY (in RMI mode)

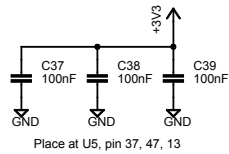
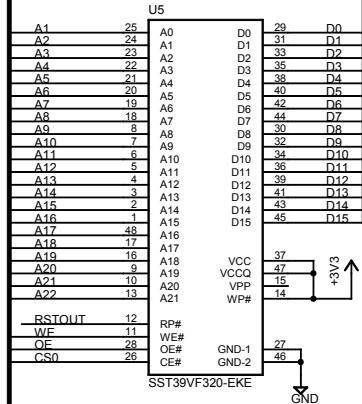


RJ45 Ethernet connector

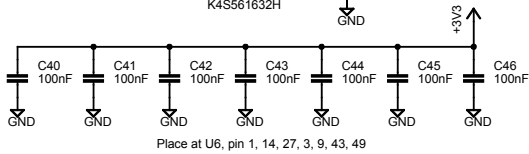
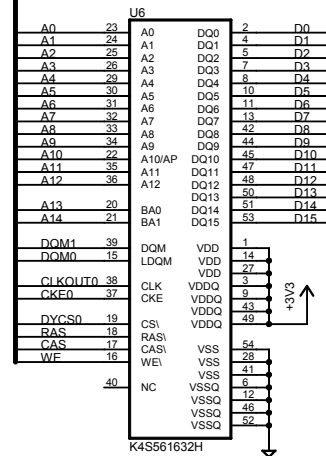


TITLE: LPC2468 OEM Board v2.0.0	
Document Number:	REV:
Date: 2007-11-15 22:01:58	Sheet: 2/6

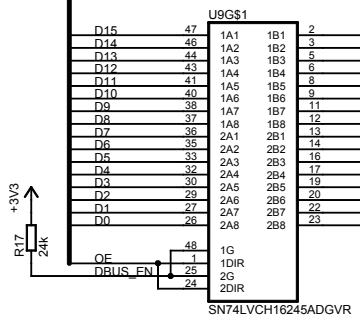
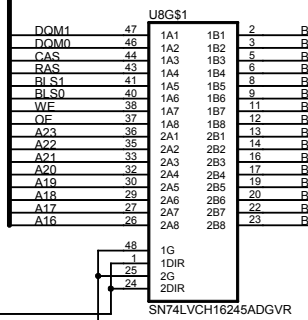
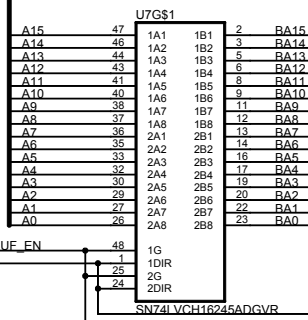
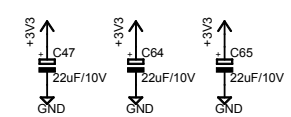
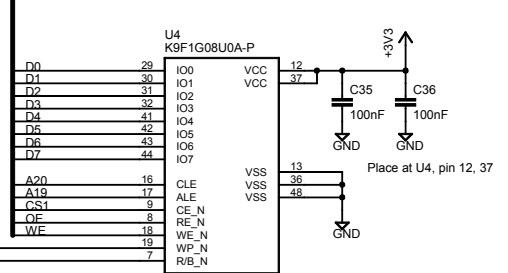
32Mbit (4MByte) NOR FLASH
(CS0 = 0x8000 0000 - 0x80FF FFFF)



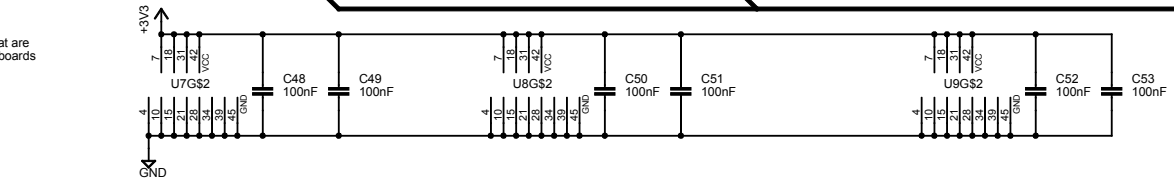
256Mbit (32MByte) SDRAM
(DYCS0 = 0xA000 0000 - 0xAFFF FFFF)

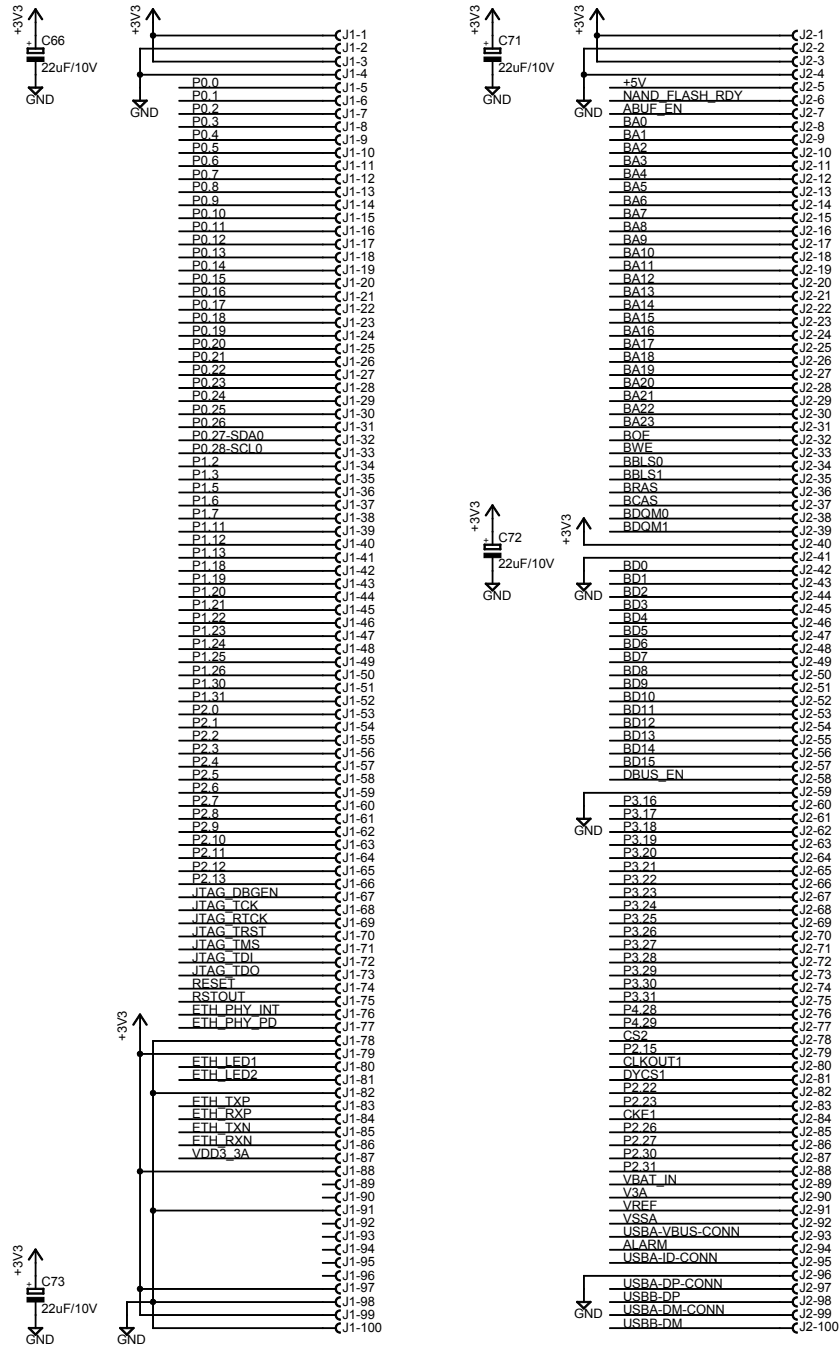


1Gbit (128MByte) NAND FLASH
(CS1 = 0x8100 0000 - 0x81FF FFFF)



Grounded on boards that are mounted on v1.3 OEM boards



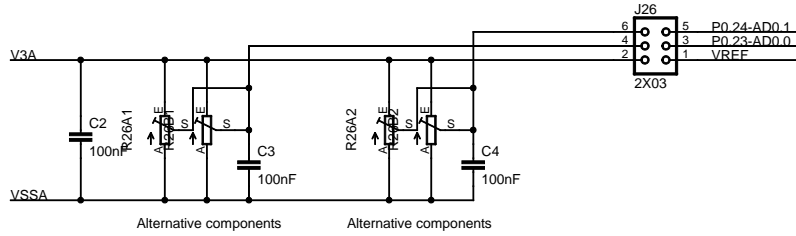


TITLE: LPC2468 OEM Board v2.0.0

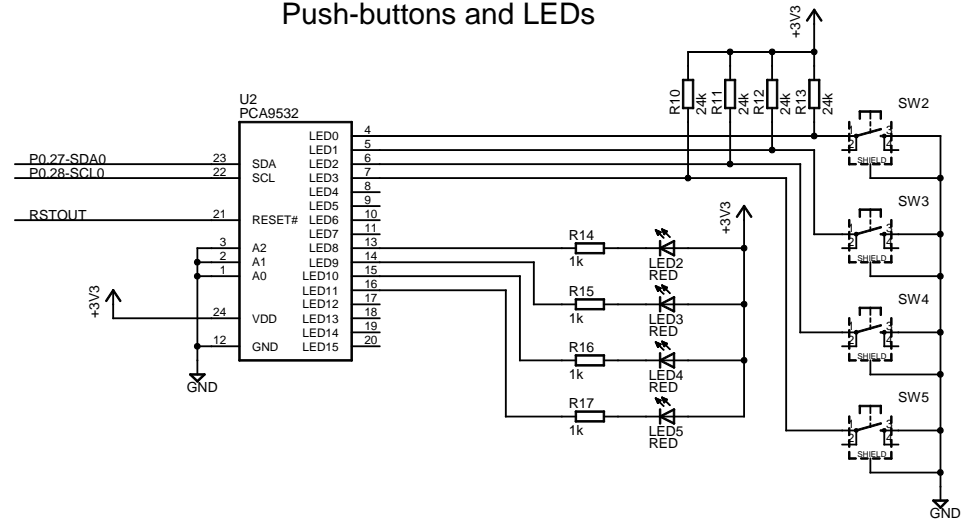
Document Number: _____ REV: _____

Date: 2007-11-15 22:01:58 Sheet: 5/6

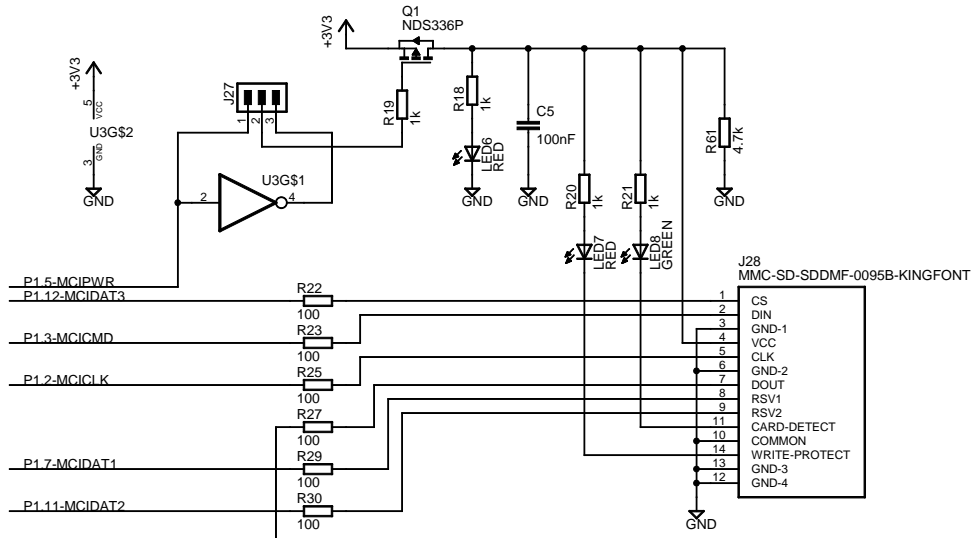
Analog inputs



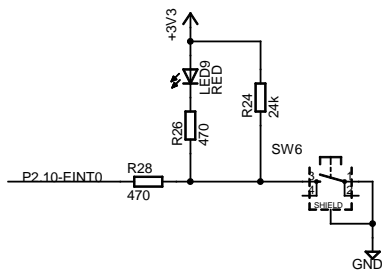
Push-buttons and LEDs



MMC/SD Memory Card I/F

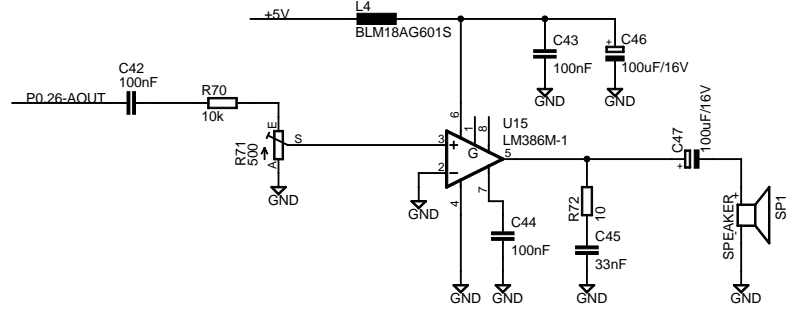


Interrupt (P2.10) key



On v1.5 of OEM Base Board

Speaker amplifier



TITLE: OEM Base Board Basic v1.5.1

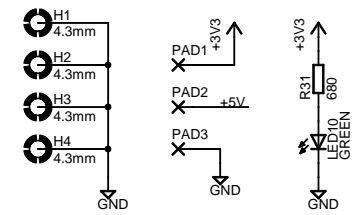
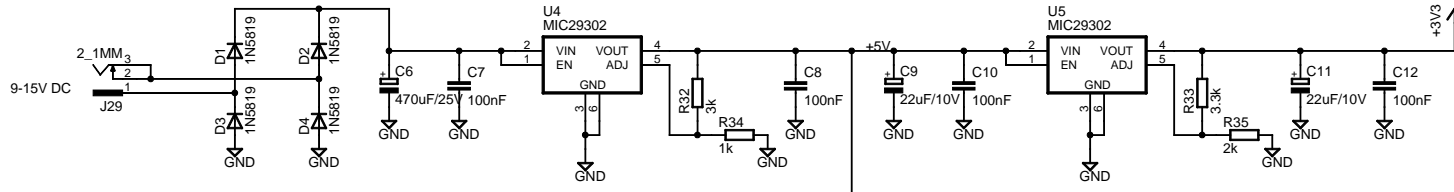
Document Number:

REV:

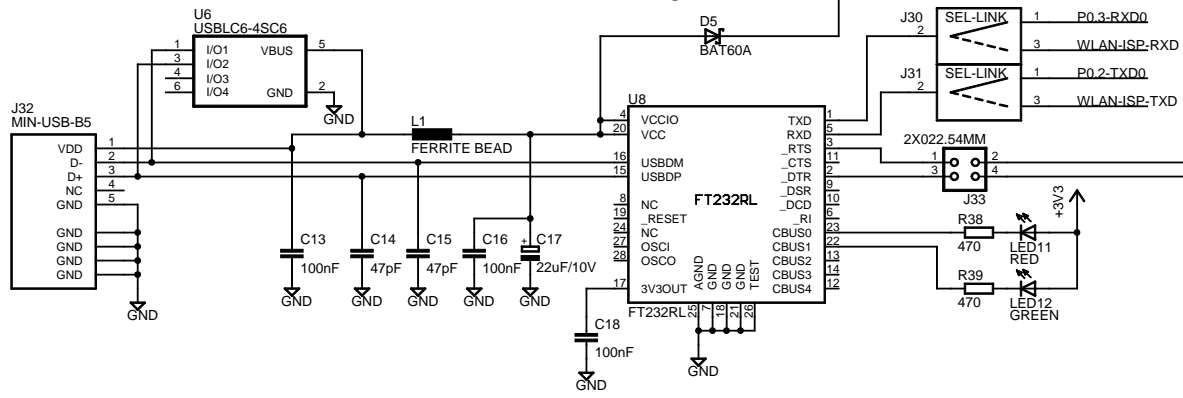
Date: 2007-11-25 15:30:32

Sheet: 3/5

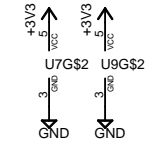
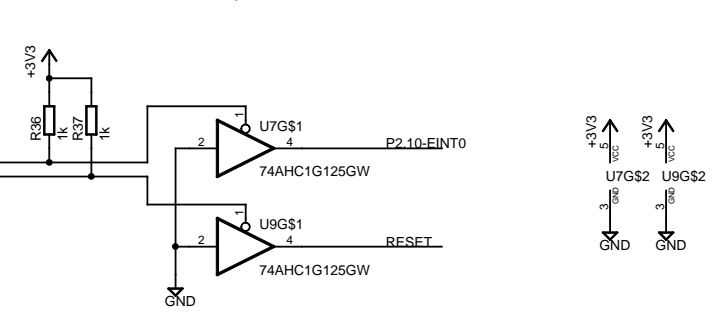
Power Supply



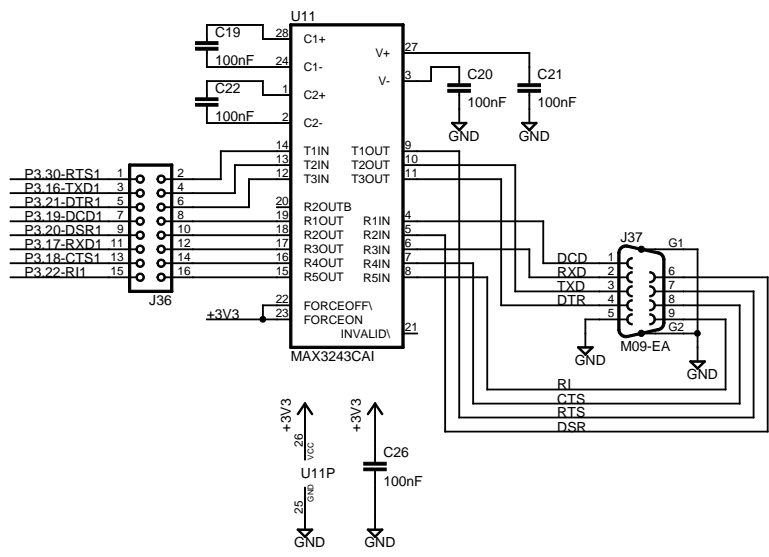
UART #0 over USB Serial Bridge



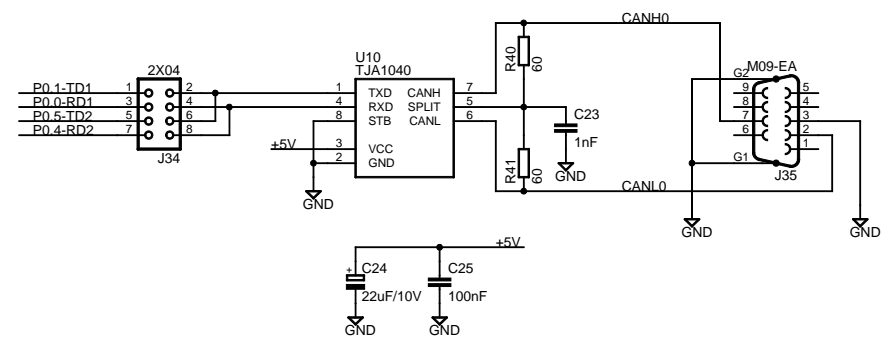
ISP functionality



UART #1 RS232 full modem

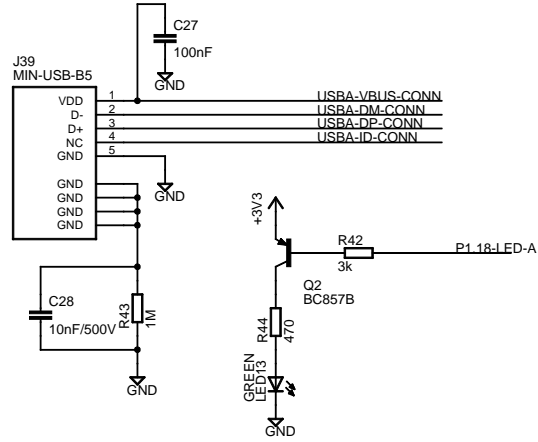


CAN transceiver

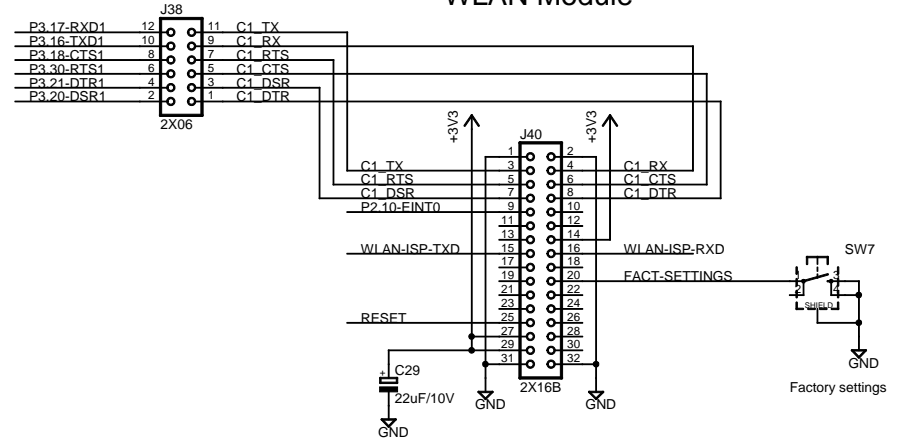


TITLE: OEM Base Board Basic v1.5.1	
Document Number:	REV:
Date: 2007-11-25 15:30:32	Sheet: 4/5

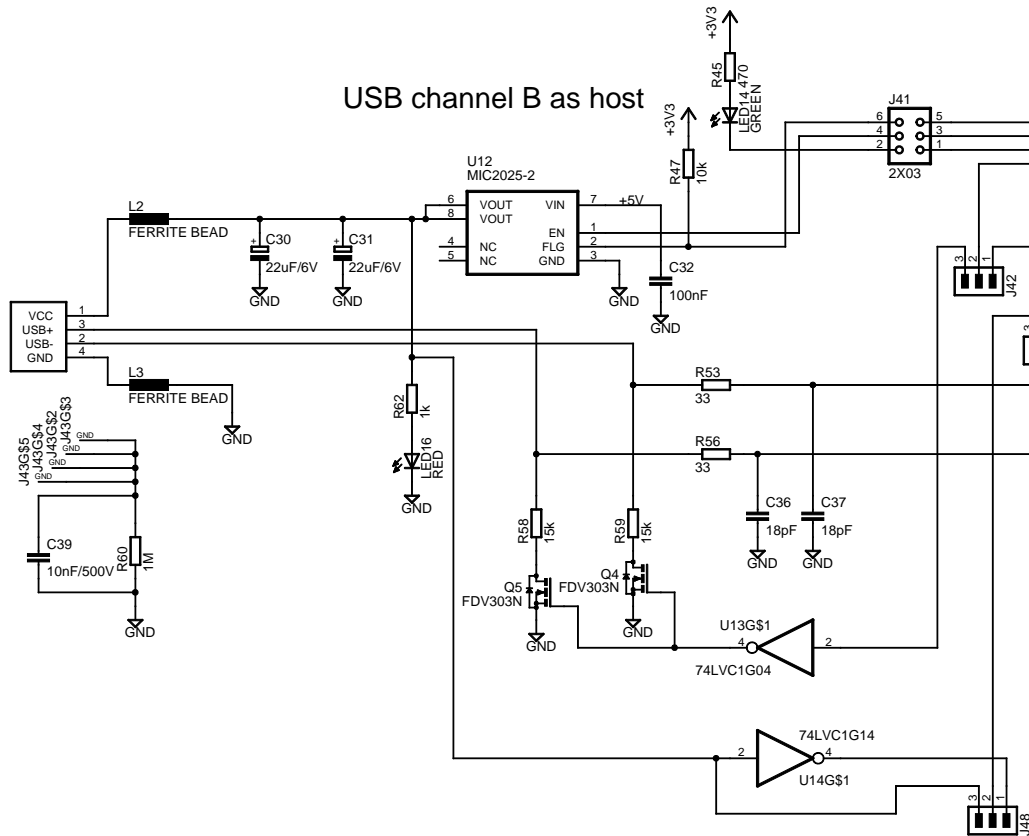
USB channel A (OTG)



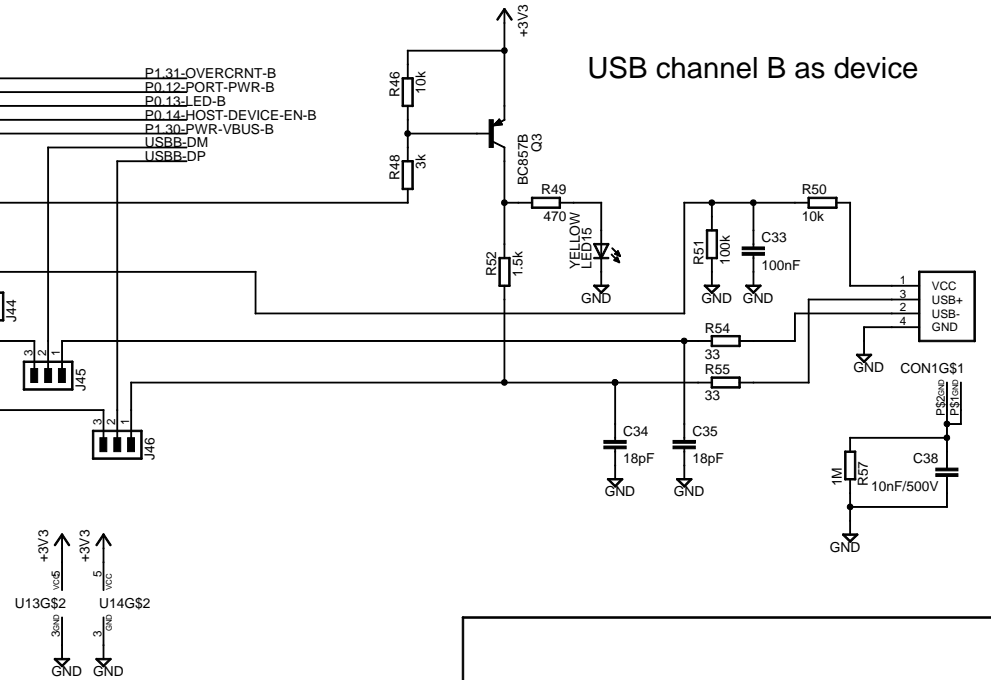
WLAN Module



USB channel B as host



USB channel B as device



TITLE: OEM Base Board Basic v1.5.1

Document Number:

REV:

Date: 2007-11-25 15:30:32

Sheet: 5/5