

Analog Peripherals

10-bit DAC (Current Mode)

Comparator

- Programmable hysteresis and response time
- Configurable to generate interrupts or reset
- Low current

On-Chip Debug

- On-chip debug circuitry facilitates full speed, non-intrusive in-system debug (no emulator required)
- Provides breakpoints, single stepping, watchpoints
- Inspect/modify memory, registers, and stack
- Superior performance to emulation systems using ICE-chips, target pods, and sockets

Supply Voltage: 2.7 to 3.6 V

Temperature Range: -40 to +85 °C

High-Speed 8051 μ C Core

- Pipelined instruction architecture; executes 70% of instructions in 1 or 2 system clocks
- Up to 25 MIPS throughput with 25 MHz clock
- Expanded interrupt handler

Memory

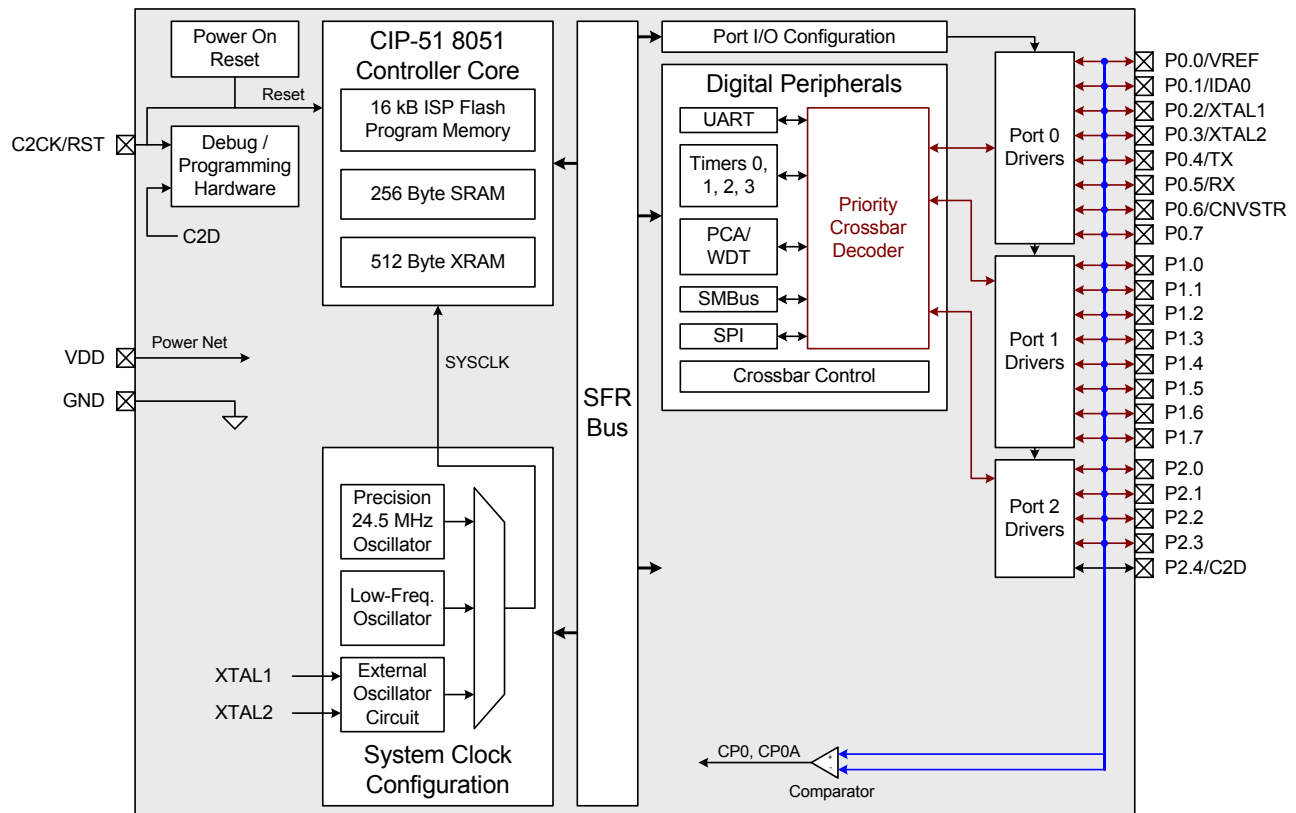
- 768 bytes data RAM
- 16 kB Flash; in-system programmable in 512 byte sectors (512 bytes are reserved)

Digital Peripherals

- 21 port I/Os; all are 5 V tolerant
- Hardware SMBus™ (I²C™ compatible), SPI™, and crystalless-UART serial ports available concurrently
- Programmable 16-bit counter/timer array with three capture/compare modules, WDT
- 4 general-purpose 16-bit counter/timers
- Timer with real-time clock mode
- Clock sources
- Two internal oscillators:
 - Precision 24.5 MHz, 2% accuracy over V_{DD} and temperature
 - 80 kHz low frequency, low-power
- External oscillator: Crystal, RC, C, or Clock (1 or 2 pin modes)
- Can switch between clock sources on-the-fly
- Suspend mode for maximum power savings with fast wake-up (<1 μ s)

Package

- 24-pin QFN

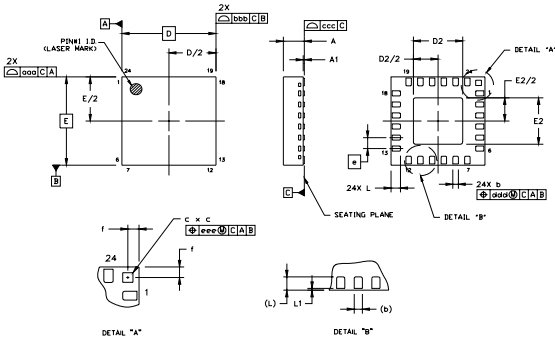


Selected Electrical Specifications

($T_A = -40$ to $+85$ °C, $V_{DD} = 2.7$ V unless otherwise specified)

| | Conditions | Min | Typ | Max | Units |
|--------------------------------|---|-----|------|------|---------|
| Global Characteristics | | | | | |
| Supply Voltage | | | — | 3.6 | V |
| Supply Current with CPU Active | Clock = 25 MHz | — | TBD | — | mA |
| | Clock = 1 MHz | — | TBD | — | mA |
| | Clock = 80 kHz; V_{DD} monitor disabled | — | TBD | — | μ A |
| | Clock = 32 kHz; V_{DD} monitor disabled | — | TBD | — | μ A |
| Supply Current (shutdown) | Oscillator off; V_{DD} monitor disabled | — | TBD | — | μ A |
| Clock Frequency Range | | | — | 25 | MHz |
| Internal Oscillators | | | | | |
| Frequency (OSC0) | | | 24.5 | 25.0 | MHz |
| Frequency (OSC1) | | | 80 | — | kHz |
| Comparator | | | | | |
| Response Time Mode0 | (CP+) – (CP–) = 100 mV | — | TBD | — | μ s |
| Current Consumption Mode0 | | | TBD | — | μ A |
| Response Time Mode1 | (CP+) – (CP–) = 100 mV | — | TBD | — | μ s |
| Current Consumption Mode1 | | | TBD | — | μ A |
| Response Time Mode2 | (CP+) – (CP–) = 100 mV | — | TBD | — | μ s |
| Current Consumption Mode2 | | | TBD | — | μ A |
| Response Time Mode3 | (CP+) – (CP–) = 100 mV | — | TBD | — | μ s |
| Current Consumption Mode3 | | | TBD | — | μ A |

QFN-24 Package Information



| Dimension | Millimeters | | |
|-----------|-------------|------|------|
| | Min | Nom | Max |
| A | 0.80 | 0.85 | 0.90 |
| A1 | 0.00 | 0.02 | 0.05 |
| b | 0.18 | 0.25 | 0.30 |
| c | 0.19 | 0.24 | 0.29 |
| D | 4.00 BSC. | | |
| D2 | 2.00 | 2.10 | 2.20 |
| e | 0.50 BSC. | | |
| f | 0.27 BSC. | | |
| E | 4.00 BSC. | | |

| Dimension | Millimeters | | |
|-----------|-------------|------|------|
| | Min | Nom | Max |
| E2 | 2.00 | 2.10 | 2.20 |
| L | 0.30 | 0.40 | 0.50 |
| L1 | 0.03 | 0.05 | 0.08 |
| aaa | — | — | 0.10 |
| bbb | — | — | 0.10 |
| ccc | — | — | 0.08 |
| ddd | — | — | 0.10 |
| eee | — | — | 0.10 |

C8051F339DK Development Kit

