

AS3525

Advanced Audio Processor System

1 Description

This highly flexible and fully integrated audio processor system (AS3525) combines strong calculating power, high performance audio features with system power management options for battery powered devices.

Using advanced 0.13 μ m process technology and large on chip RAM leads to outstanding low power consumption of as low as 58mW for a complete flash-player during MP3 playback.

Based on a powerful ARM9TDMI capable of performing up to 200MIPS it is suited to run MP3, AAC, WMA, OGG... decoders and encoders and, in addition, it can perform extensive user interfaces, motion graphics support, video playback and much more.

The AS3525 SOC (system-on-a-Chip) features dedicated high speed interfaces for ATA IDE, USB2.0 HS-OTG and SDRAM ensuring maximum performance for download, upload, and playback.

Furthermore interfaces for NAND flashes, MMC/SD cards and Memory Stick ensure most flexible system design possibilities. Hardware support for parallel interfaces lower the CPU load serving complex and/or colour user interfaces.

Additional serial high-speed data and control interfaces guarantee the connection to other peripherals and or processors in the system.

Two independently programmable PLLs generate the required frequencies for audio playback/recording, for the processor core and for the USB interface at the same time. An additional external clock input eliminates the use of external crystals when used in multi-processor systems like mobile phones.

It has a variety of audio inputs and outputs to directly connect electret microphones, and auxiliary signal sources via a 10-channel mixer to a 16 Ω /32 Ω headset , 4 Ω speaker or auxiliary audio peripherals.

Further the device offers advanced power management functions. All necessary ICs and peripherals in a Digital Audio Player with flash or hard-disk memory are supplied by the AS3525. The different regulated supply voltages are fully programmable. The power management block generates 10 different supply voltages out of a single battery supply. CPU, NAND flash, SRAM, memory cards, LCD, LCD backlight and USB-OTG can be powered. When operating from a single cell (AA or AAA) battery the AS3525 can use a DCDC booster to generate the needed system supply.

The AS3525 has an independent 32kHz real time clock (RTC) on chip, which allows a complete power down of the system CPU and peripherals.

AS3525 also contains a charger for Li-Io battery supply

The single supply voltage may vary from 1.0V to 5.5V.

2 Key Features

2.1 Digital Core

Embedded 32-Bit RISC Controller



- ARM922TDMI RISC CPU
- 2.5Mbit on-chip RAM
- 1Mbit on chip ROM
- Clock speed max. 250MHz (200MIPS)
- Standard JTAG interface

USB 2.0 HS & OTG Interface

- Up to 480Mbit/s transfer speed
- USB 2.0 HS/FS physical including OTG support
- USB 2.0 HS/FS digital core including OTG host
- Dedicated dual port buffer RAM
- DMA bus master functionality

IDE Host Controller

- Supporting Ultra ATA 33/66/100/133 modes
- Programmable IO and Multi-word DMA capability
- Dedicated dual port buffer RAM
- DMA bus master functionality

External Memory Controller

- Dynamic memory interface
- Asynchronous static memory
- DMA bus master functionality

DMA Controller

- Single Master DMA controller
- 2 DMA channels possible at the same time
- 16 DMA requests supported

Interrupt Controller

- Support for 32 standard interrupts
- Support for 16 vectored IRQ interrupts

Audio Subsystem Interface

- Dedicated 2 wire serial control master
- I2S input and output with dual port buffer RAM

Nand Flash Interface

- 8 and 16bit flash support
- 3, 4 & 5 byte address support
- hardware ECC

MMC/SD Interface

- MMC/SD Card host for multiple card support
- 4 data line support for SD cards

MS / MS Pro Interface

- Dedicated dual port buffer RAM

Display Interface

- Serial and parallel controller supported
- On chip hardware acceleration

Synchronous Serial Interface

- Master and slave operation
- 8 and 16 bit support
- Several protocol standards supported

I2S Interface

- Input multiplexed with audio subsystem
- selectable SPDIF input conversion
- Dedicated dual port buffer RAM

2 Wire Serial Control Interface

- Master and slave operation
- Standard and fast mode support

General Purpose IO Interface

- 4x 8-bit ports

2.2 Audio

Multi-bit Sigma Delta Converters

- DAC: 18bit with 94dB SNR ('A' weighted)
- ADC: 14bit with 82dB SNR ('A' weighted)
- Sampling Frequency: 8-48kHz
- 32 gain steps @ 1.5dB and MUTE

2 Line Inputs

- stereo, 2x mono or mono differential inputs
- 32 gain steps @ 1.5dB and MUTE

2 Microphone Inputs

- differential inputs
- 3 gain pre-sets (28/34/40 dB) and OFF with AGC
- 32 gain steps @ 1.5dB and MUTE
- microphone detection with about 50uA
- supply for electret microphone max 1mA
- remote control by switch

Line Output

- max 1Vp @ 10kΩ in single ended stereo mode
- >32Ω in mono differential mode to drive ear-pieces
- 32 gain steps @ 1.5dB and MUTE

Stereo Headphone Audio Amplifier

- 2x 60mW @ 16Ω driver capacity
- 32 gain steps @ 1.5dB and MUTE
- Click- and pop-less start-up and power down
- Headphone and over-current detection
- Phantom ground eliminates large capacitors

Stereo Speaker Audio Amplifier

- 2x 500mW @ 4Ω driver capacity
- 32 gain steps @ 1.5dB and MUTE
- Click- and pop-less start-up and power down
- Over-current detection

10 Channel Audio Mixer

- mixes Line inputs, Mic inputs and DAC output
- separate selectable source for right and left channel
- possibility to select AGC to prevent clipping

2.3 Power Management

Voltage Generation

- step up for system supply (3.0V-3.6V, 150mA)
- charge-pump for CPUcore (1.05V-1.2V, 50mA)
- charge pump for USB OTG (5V, 10mA)
- LDO for digital supply (2.9V, 200mA)
- LDO for analog supply (2.9V, 200mA)
- LDO for IO supply (2.94 or 3.11V, 200mA)
- LDO for peripherals (1.7V-3.3V, 200mA)
- LDO for USB Transceiver (3.26V, 200mA)
- LDO for RTC (1.0V-2.5V, 2mA)

15V Back-light step up converter

- for driving up to 6 white LEDs in series to achieve a uniform illumination
- current programmable up to 40mA (1.25mA steps)

Li-Io Battery Charger

- automatic 50mA trickle charging
- prog. constant current charging (50 – 400mA)
- prog. constant voltage charging (3.9 - 4.25V)

2.4 System

RTC

- ultra low power 32kHz oscillator
- 32bit RTC second counter
- selectable alarm (seconds or minutes)
- trim able oscillator

Oscillator

- low power 12-24MHz Oscillator
- generating main system clock

Supervisor

- automatic battery monitoring with interrupt generation and selectable warning level
- automatic temperature supervision with interrupt generation and selectable warning and shutdown levels

General Purpose ADC

- 10bit resolution
- 16 inputs analog multiplexer

UID

- Unique Identification Number in OTP ROM for DRM support

General

- Reset pin, watchdog
- 10sec emergency shut-down
- Wide battery supply range 1V – 5.5V
- MP3 playback with 58mW

Packages:

- AS3525-A: CTBGA224 13x13mm, 0.8mm pitch
- AS3525-B: CTBGA144 10x10mm, 0.8mm pitch

3 Application

- Portable Digital Audio Player and Recorder
- Portable Digital Media Player
- PDA
- Smartphone

4 Block Diagram

Figure 1 AS3525 Block Diagram

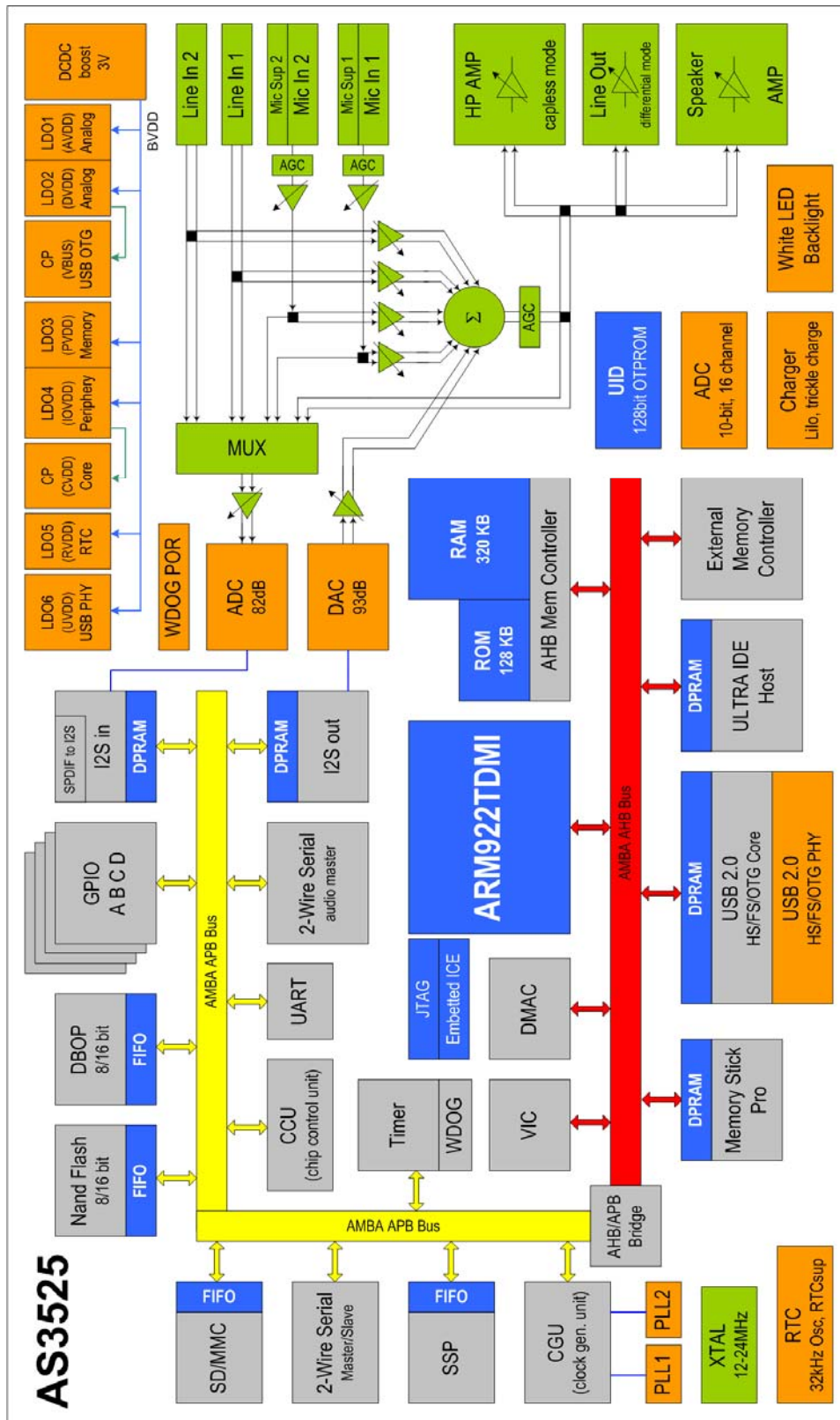


Table of Contents

1	DESCRIPTION	1
2	KEY FEATURES	1
2.1	Digital Core	1
2.2	Audio	2
2.3	Power Management	2
2.4	System	2
3	APPLICATION	2
4	BLOCK DIAGRAM	3
5	TYPICAL APPLICATIONS	9
5.1	Flash-Player	9
5.2	Hard-Disk-Player	10
6	ELECTRICAL SPECIFICATIONS	11
6.1	Absolute Maximum Ratings	11
6.2	Operating Conditions	12
6.2.1	Supply Voltages	12
6.2.2	Internal Supply Voltages	12
6.2.3	Power Management Output Voltages	13
6.2.4	Operating Currents	14
6.2.5	Temperature Range	14
6.2.6	Audio Specification	15
7	DETAILED FUNCTIONAL DESCRIPTIONS	17
7.1	ARM922-T Processor Core	17
7.1.1	General	17
7.1.2	Block Diagrams	18
7.1.3	ARM922T Details	19
7.1.4	ARM V4T Architecture	19
7.1.5	JTAG Interface	21
7.1.6	Boot Concept	22
7.2	AHB Peripheral Blocks	24
7.2.1	2.5 MBIT RAM Main Memory	24
7.2.2	On-Chip ROM	25
7.2.3	VIC – Vectored Interrupt Controller	25
7.2.4	SMDMAC - Single master DMAC	27
7.2.5	Multi Port Memory Controller (MPMC)	29

7.2.6	IDE Interface	30
7.2.7	USB 2.0 HS OTG interface	33
7.2.8	Memory Stick / Memory Stick Pro Interface	38
7.3	APB Peripheral Block	40
7.3.1	Timers	40
7.3.2	Watchdog Unit	44
7.3.3	SSP – Synchronous Serial Port	47
7.3.4	GPIO - General purpose input/output ports	49
7.3.5	MCI – SD / MMC Card Interface	56
7.3.6	I2cAudMas - I2C audio master interface	57
7.3.7	I2CMSI - I2C master/slave interface	58
7.3.8	I2SIN - I2S input interface	59
7.3.9	SPDIF interface	65
7.3.10	I2SOUT - I2S output interface	66
7.3.11	NAND Flash Interface	72
7.3.12	DBOP - Data Block Output Port	83
7.3.13	UART – Universal Asynchronous Receiver/Transmitter	93
7.3.14	CGU - Clock generation unit	100
7.3.15	CCU - Chip Control Unit	114
7.4	Audio and Power Management functions	119
7.4.1	SYSTEM	119
7.4.2	3V Step-Up Converter	121
7.4.3	Low Drop Out Regulators	123
7.4.4	Charge-Pump Step-Down Converter	126
7.4.5	Audio Line Output	129
7.4.6	Headphone Output	131
7.4.7	Speaker Output	134
7.4.8	Microphone Inputs (2x)	138
7.4.9	Audio Line Inputs (2x)	141
7.4.10	I2S Digital Audio Interface	143
7.4.11	Audio Output Mixer	147
7.4.12	Audio Settings	148
7.4.13	VBUS CP & Comparator	150
7.4.14	Auxiliary Oscillator	151
7.4.15	Charger	152
7.4.16	15V Step-Up Converter	154
7.4.17	Supervisor	156
7.4.18	Interrupt Generation	157
7.4.19	Real Time Clock	162
7.4.20	10-Bit ADC	164
7.4.21	128 bit OTP ROM	167
7.4.22	2-Wire-Serial Control Interface	168
8	PINOUT AND PACKAGING	172
8.1	Package Variants	172
8.2	CTBGA224 Package Drawings	172
8.2.1	Marking	172
8.2.2	CTBGA224 Package Ball-out	173
8.2.3	CTBGA224 Ball List	173
8.3	CTBGA144 Package Drawings	182
8.3.1	CTBGA144 Package Ball-out	182
8.3.2	CTBGA144 Ball List	183

8.4	Pad Cell Description	189
8.4.1	Digital Pads	189
9	APPENDIX	190
9.1	Memory MAP	190
9.2	Register definitions	191
9.2.1	Base Address definitions	192
10	ORDERING INFORMATION	193
11	COPYRIGHT	194
12	DISCLAIMER	194
13	CONTACT INFORMATION	194

Document Revisions

Revision	Chapter	Date	Owner	Description
0.1	all	9.12.2004	mma	first preliminary version
0.2	4,6.6	19.12.2004	mma	application figures, register base address
0.3	7.6, 7.7	28.1.2005	mma	CTBGA144 ball-out added
0.4	6.2	7.3.2005	mma	changes in boot-concept
0.5	6.4.14	24.3.2005	mma	CGU frequency settings updated
0.6	6.2, 7.4	1.4.2005	mma	correct IntBootSel
0.6	7.7	1.4.2005	mma	Package Code and Marking added
0.7	6.7 – 6.28	2.5.2005	mma	Parameters updated
0.7	5.1.2.	2.5.2005	mma	Supply Currents added
0.7	6.15	5.5.2005	mma	Audio Specification added
0.8	7.4, 7.7	21.6.2005	mma	tmsel PAD-type is pull down
0.8	5	28.7.2005	mma	Lead temperature corrected for lead-free package
0.8	5.0, 5.1	5.8.2005	wsg	Added conditions for absolute max rating of vdd_peri, vdd_mem, vdd_core, usb_vdda_33t, usb_vdda_33c. Changed operating condition for vdd_core max limit.
0.82	7.8	6.10.2005	pkm	added pad cell description
0.82	7	13.10.2005	pkm	correct pin list pad types (JTAG_trst_n, jtag_tdi, mpmc_fbclk, naf_bsy_n, ide_ha[0..2], ide_reset_n, id_dig)
0.83	5.1.1	22.10.2005	wsg	Added Note on VDD_CORE supply voltage scaling
1.00	all		wsg/pkm	Major revision
1.1		25.9.2006	wsg	added description for modified C22 bootloader
		16.2.2007	wsg	added UART description corrected NAFmode register description added C22022 version in order information corrected header in table "CGU frequency settings"
		22.3.2007	pkm	updated ESD and soldering conditions, change ADC_10 source for C22022 from BVDD to CHG_OUT
1.11		17.4.2007	wsg	update of PINOUT for AS3525A: test pins at K2, K4 and L2 are only used during production test and must stay unconnected for normal operation mode. Pins are now marked with NC. Added Note for AS3525B package that CVDD and vdd_core have to be connected externally!
1.12	7.4.7.2	6.7.2007	wsg	added application circuit with schottky diodes for speaker output protection.
	7.1.6	6.7.2007	wsg	deleted description of C21020 bootloader (this chip version is not available any more)
1.13	6.2.3	24.2.2009	wsg	Added definition of Power Management Output Voltages

Related Documents

ARM922T Technical Reference Manual	DDI0184B_922T_TRM.pdf	http://www.arm.com
ARM9TDMI Technical Reference Manual	DDI0180A_9tdmi_trm.pdf	http://www.arm.com
PrimeCell™ MultiPort Memory Controller; PL172 Technical Reference Manual		http://www.arm.com
AMBA Specification (Rev 2.0)	IHI0011A_AMBA_SPEC.pdf	http://www.arm.com
PrimeCell™ Synchronous Serial Port; PL022 Technical Reference Manual		http://www.arm.com
PrimeCell™ General Purpose Input/Output; PL061 Technical Reference Manual		http://www.arm.com
PrimeCell™ Single Master DMA Controller; PL081 Technical Reference Manual		http://www.arm.com
PrimeCell™ Multimedia Card Interface; PL180 Technical Reference Manual		http://www.arm.com
PrimeCell™ Vectored Interrupt Controller; PL190 Technical Reference Manual		http://www.arm.com
CWda03 - SPDIF-AES/EBU TO I2S CONVERTER		http://www.coreworks.pt
TSMC TPZ013G3 Standard I/O Library Databook		http://www.tsmc.com
DesignWare USB 2.0 HI-SPEED ON-THE-GO Controller Subsystem		http://www.synopsys.com
DesignWare USB 2 PHY Hardmacro		http://www.synopsys.com
SMS2IP mem stick host controller		http://www.sony.com
ICON mem stick host con interface		http://www.sony.com
IDE host controller BK3710S		http://www.palmchip.com

5 Typical Applications

AS3525 is an advanced audio system-on-a-chip for flash-players, hard-disk players, mobile phones and PDAs powered by single Li+, AA or AAA batteries.

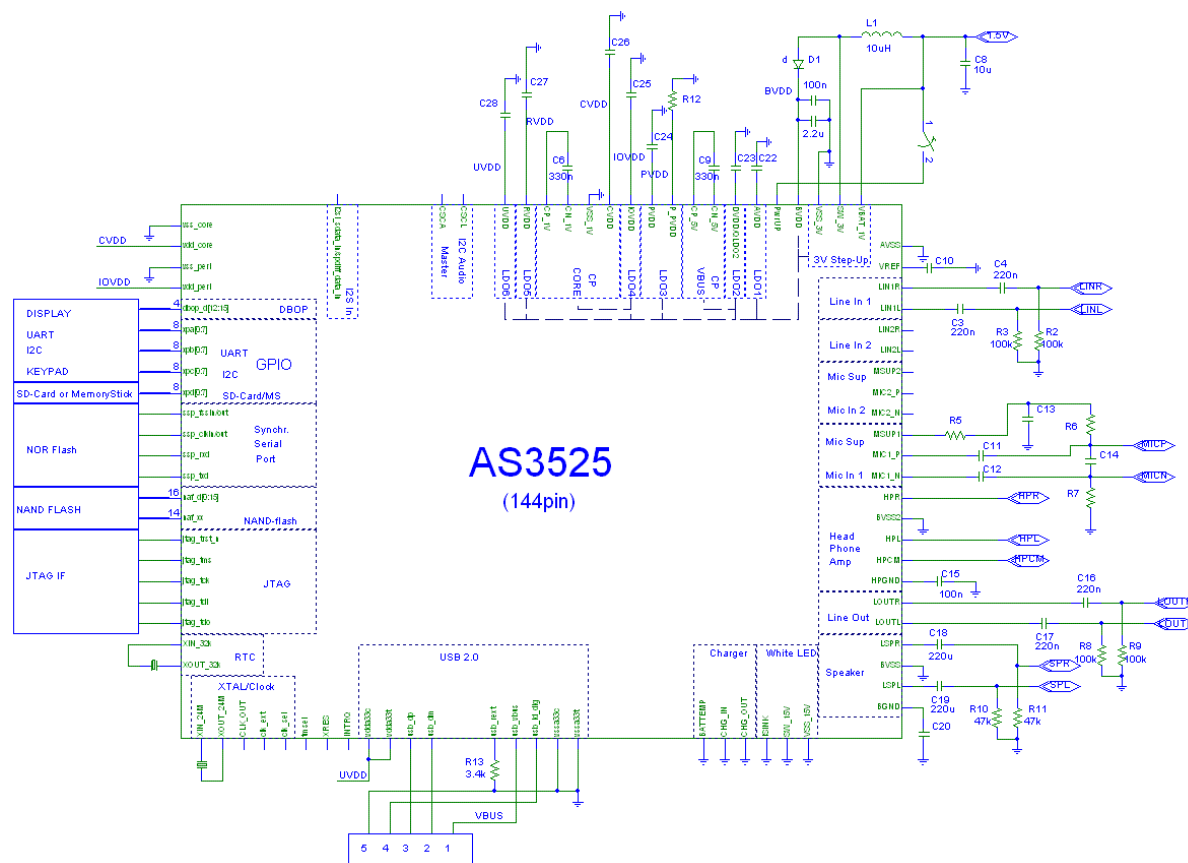
AS3525-A is the package variant with 224 balls intended for full-featured harddisk players, AS3524-B is the package variant with 144 balls for flash players with reduced feature set and no need for an external SDRAM.

Two versions are available for the chips: C22022 which is the newest version with additional boot loader features, and C21020 which is outdated and must not be used for new design starts.

5.1 Flash-Player

The following schematic shows a typical flash-player application of the AS3525-B in the CTBGA144 package. A single AAA or AA battery powers the complete system. The on-chip DC/DC converter generates a supply voltage of 3.25V (BVDD) with a maximum output load current of 150mA. Linear regulators, which are connected to this BVDD, provide the supply voltages for the analog functions, the USB-2.0-Phy, the digital periphery and external components. A highly efficient Charge-Pump Step-Down-Converter supplies the digital core. All analog features are available in this package variant. Also, the digital interfaces to NAND-flash, MMC/SD card, Memory-Stick-Pro, USB-2.0 HS&OTG, Synchronous Serial Interface, General Purpose IOs and different displays are provided.

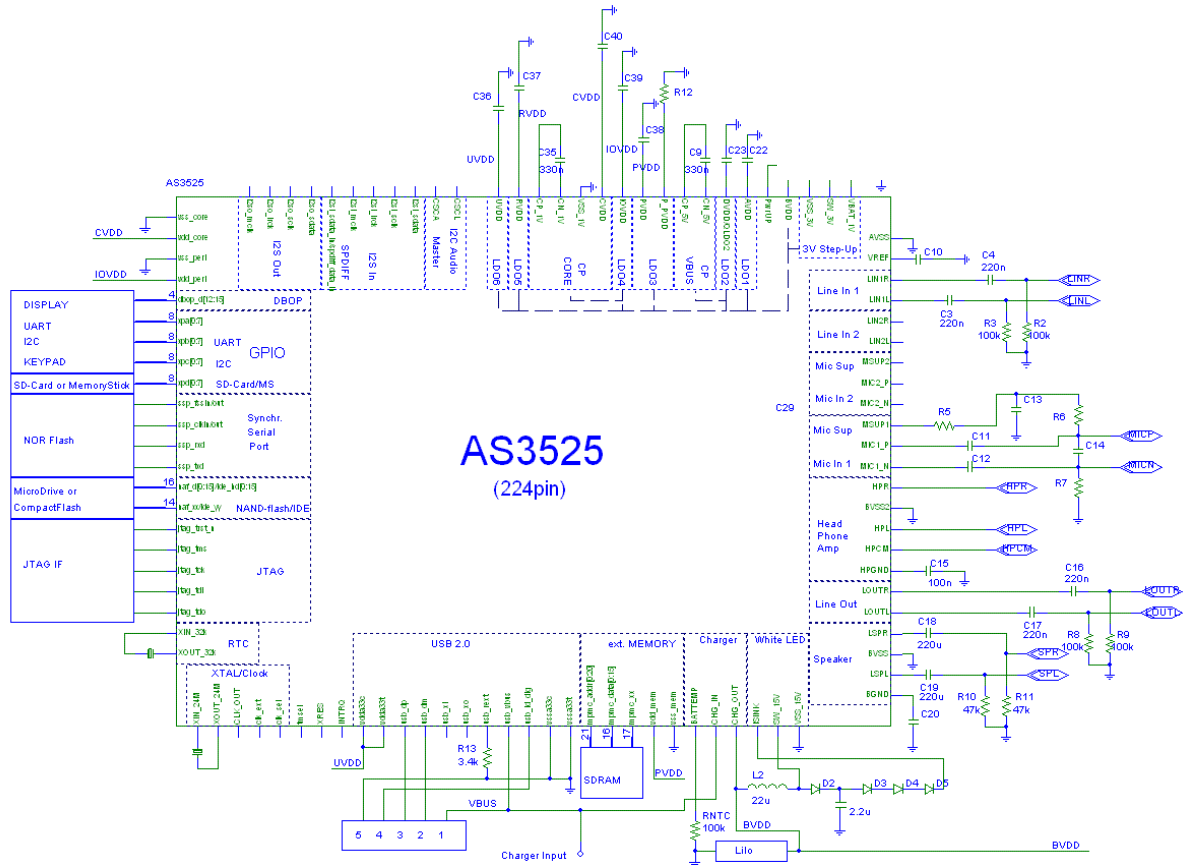
Figure 2 Flash Player Application



5.2 Hard-Disk-Player

The following schematic shows a typical hard-disk-player application of the AS3525-A using the CTBGA224 package. A single Li+ battery powers the complete system. The Li+ cell can be charged either from a DC-supply or the USB connector. Linear regulators, which are connected to this battery voltage (BVDD), provide the supply voltages for the analog functions, the USB-2.0-Phy, the digital periphery and the SDRAM interface. A highly efficient Charge-Pump Step-Down-Converter supplies the digital core. All chip functions are available in this package variant. For lowest power consumption, it is recommended to use low voltage external SDRAMs (PVDD=1.8V).

Figure 3 Hard Disk Player



6 Electrical Specifications

6.1 Absolute Maximum Ratings

Stresses beyond those listed under "Absolute Maximum Ratings" may cause permanent damage to the device. These are stress ratings only. Functional operation of the device at these or any other conditions beyond those indicated under "Operating Conditions" is not implied. Exposure to absolute maximum rating conditions for extended periods may affect device reliability. The device should be operated under recommended operating conditions.

Table 1 Absolute Maximum Ratings

Symbol	Parameter	Min	Max	Unit	Note
V _{IN_SUP}	digital supply pins	-0.5	3.7	V	Applicable for pins vdd_peri, vdd_mem, usb_vdda33t1, usb_vdda33t2, usb_vdda33t3, usb_vdda33c
V _{IN_CORE}	digital core supply pins	-0.5	1.68	V	Applicable for pins vdd_core
V _{IN_VB1V}	single cell supply voltage	-0.5	5.0	V	Applicable for pin VBAT_1V
V _{IN_5V}	5V pins	-0.5	7.0	V	Applicable for pins BVDD, CHG_IN, VBUS
V _{IN_SW15}	15V pin	-0.5	17	V	Applicable for pins SW15
V _{IN_VSS}	Voltage difference at VSS terminals	-0.5	0.5	V	Applicable for pins VSS3, VSS15, VSSCP, BVSS, BVSS2, AVSS, DVSS, vss_core, vss_peri, vss_mem, usb_vssa33t, usb_vssa33c
V _{IN_DVDD}	3.3V pins with diode to DVDD	-0.5	5.0 DVDD+0.5	V	Applicable for pins MCLK, LRCK, SCLK, SDI, P_PVDD, BATTEMP, ISINK, XIN_32K, XOUT_32K, XIN_24M, XOUT_24M, INTRQ, XRES, CP_1V, CN_1V, CN_5V
V _{IN_xDVDD}	pins with no diode to DVDD	-0.5	7.0V	V	Applicable for pins CSCL, CSDA, PWR_UP, CP_5V
V _{IN_AVDD}	3.3V pins with diode to AVDD	-0.5	5.0 AVDD+0.5	V	Applicable for pins BGND, HPH_CM, HPGD, LOU _T L/R, VREF, AGND, LIN1L/R, LIN2L/R, MIC1_P/N, MIC2_P/N, MSUP1, MSUP2
V _{IN_REG}	voltage regulator pins with diodes to BVDD	-0.5	5.0 BVDD+0.5	V	Applicable for pins AVDD, QLDO2, DVDD, PVDD, CPVDD, CVDD, UVDD
V _{IN_RVDD}	voltage regulator pin with diode to BVDD	-0.5	3.6 BVDD+0.5	V	Applicable for pins RVDD
V _{IN_BVDD}	pins with diode to BVDD	-0.5	7.0 BVDD+0.5	V	Applicable for pins LSPR/L, HPR/L, CHG_OUT, SW3
I _{scr}	Input Current (latchup immunity)	-100	100	mA	Norm: JEDEC 17
ESD	Electrostatic Discharge HBM		+/-1	kV	Norm: JEDEC JESD22-A114C (1)
ESD_USB	Electrostatic Discharge HBM for USB Pins		+/-2	kV	Norm: JEDEC JESD22-A114C (Pins: usb_dp, usb_dm, usb_vbus)
P _t	Total Power Dissipation (all supplies and outputs)		1000	mW	Valid for CTBGA144 package
H	Humidity non-condensing	5	85	%	

(1) Electrostatic discharge of XIN24 and XOUT24 pin is +/-600V for C21020

Table 2 Soldering Conditions

Symbol	Parameter	Min	Max	Unit	Note
T _{body}	Package Body Temperature		260	°C	Norm IPC/JEDEC J-STD-020C, reflects moisture sensitivity level only
T _{peak}	Solder Profile*	235	245	°C	
D _{well}		30	45	s	above 217 °C

* austriamicrosystems AG strongly recommends to use underfill.

6.2 Operating Conditions

6.2.1 Supply Voltages

Table 3 Operating conditions for supply input voltages

Symbol	Parameter	Min	Max	Unit	Note
VB1V	DCDC Supply Voltage	1.0	3.6	V	
BVDD	Battery Supply Voltage	3.2	5.5	V	
VBUS	USB VBUS Voltage	4.0	5.5	V	
CHGIN	Charger Supply Voltage	4.5	5.5	V	
	Difference of Negative Supplies VSS3, VSS1, VSS15, BVSS, BVSS2, AVSS, DVSS, VSSCP	-0.1	0.1	V	To achieve good performance, the negative supply terminals should be connected to low impedance ground plane.

6.2.2 Internal Supply Voltages

Following supply voltages for the digital system are generated by the integrated power management

Table 4 Operating conditions for internal internal supply voltages

Symbol	Parameter	Min	Max	Unit	Note
VDD _{peri}		3.0	3.6	V	digital periphery supply voltage to be connected to IOVDD
VDD _{mem}		1.7	3.6	V	digital IO supply for MPMC PADs to be connected to PVDD
VDD _{core}		1.08	1.26	V	digital core supply voltage to be connected to CVDD; see Note (1)
USBVDDA33 _T		3.15	3.45	V	USB analog supply transmit block to be connected to UVDD
USBVDDA33 _C		3.15	3.45	V	USB analog supply common block to be connected to UVDD
DVDD	Digital Supply Voltage	2.8	3.6	V	Digital Audio Supply Voltage (LDO2)
AVDD	Analogue Supply Voltage	2.8	3.6	V	Analog Audio Supply Voltage (LDO1)
	Difference of Negative Supplies vss_peri, vss_core, vss_mem, usb_vssa33c, usb_vssa33t	-0.1	0.1	V	To achieve good performance, the negative supply terminals should be connected to low impedance ground plane.

Note(s) (1) For the VDD_CORE supply, voltage scaling should be applied to optimize power consumption and CPU speed performance. For normal operation with fclk (CPU ARM-922T clock) frequencies below 200 MHz, CVDD (supply of VDD_CORE) can be set to a lower value of 1.10 V. Only for setting fclk of the CPU to clock frequencies above 200 MHz, the VDD_CORE supply voltage must be set to 1.20 V typical conditions.

6.2.3 Power Management Output Voltages

Following voltages are generated by the integrated power management blocks.

Table 5 Power Management – Output Voltages

Symbol	Parameter	Condition	min.	typ.	max.	Unit
CVDD Regulator						
CVDDP	Core Supply Voltage	bits CVDDp[1:0]=00	1.16	1.20	1.24	V
		bits CVDDp[1:0]=01	1.10	1.15	1.30	V
		bits CVDDp[1:0]=10 see Note (1)	1.06	1.10	1.14	V
		bits CVDDp[1:0]=11 see Note (1)	1.01	1.05	1.09	V
Low Dropout Regulators						
AVDD	Output Voltage LDO1		2.85	2.90	2.95	V
DVDD	Output Voltage LDO2		2.85	2.90	2.95	V
PVDDP	Output Voltage LDO3	bit PVDDp=0	1.65	1.70	1.75	V
		bit PVDDp=1	1.75	1.80	1.85	V
		bit PVDDp=0	2.69	2.74	2.80	V
		bit PVDDp=1	2.84	2.90	2.96	V
		bit PVDDp=0	3.10	3.15	3.20	V
		bit PVDDp=1	3.27	3.30	3.39	V
		bit PVDDp=0	2.45	2.50	2.55	V
		bit PVDDp=1	2.30	2.36	2.42	V
IOVDD	Output Voltage LDO4	bit IOVDDp=0	3.06	3.11	3.16	V
		bit IOVDDp=1	2.89	2.94	2.99	V
3V Step-Up Converter						
BVDD	Output Voltage of DCDC Step Up Converter	bits DCDC3p=11	1.95	3.00	3.05	V
		bits DCDC3p=10	3.05	3.10	3.15	V
		bits DCDC3p=01	3.15	3.20	3.25	V
		bits DCDC3p=00	3.55	3.60	3.65	V

Notes:

(1) This setting must not be used for AS3525 core supply because the lower voltage limit is out of core supply specification limits.

6.2.4 Operating Currents

Table 6 Supply currents

Symbol	Parameter	Typ	Max	Unit	Note
I_BVDD	Total current consumption at BVDD	22	340	mA	(1), (2), (3)
IDD_PERI_OP	Peripheral current	2	20	mA	
IDD_MEM_OP	External memory interface current	-	20	mA	(2)
IDD_CORE_OP	Digital core current	20	145	mA	(1), (2), (3)
IDD_USBA33T_OP	USB transmitter current		30	mA	
IDD_USBA33C_OP	USB common blocks current		30	mA	
I_Headphone	Headphone current from BVDD	2	40	mA	(3)
I_Audio	Analog audio frontend current from DVDD (2.9V) and AVDD (2.9V)	8	15	mA	(1), (3)

- Notes
- (1) Typical condition for playback of MP3 music with 44.1 KHz / 128 kbit with 32Ω headphones. The internal charge pump generates VDD_CORE. No external SDRAM connected. USB2.0 in standby.
 - (2) Maximum condition for ARM running at 250 MHz, AHB/APB bus and memory at 64 MHz, USB 2.0 in HS operation. For high current mode, the charge pump is disabled and IDD_CORE_OP is added to the total current consumption at BVDD.
 - (3) For maximum value: assuming maximum output power of 2x40 mW sine-wave into headphones (16Ω). Internal loss of headphone AB amplifier is included.

In the case of standby mode or in the case of configuring the device to stopped clock, following current consumption is measured.

Table 7 Leakage currents

Symbol	Parameter	Typ	Max	Unit	Note
IDD_PERI_LEAK			1500	μA	Including USBA33T, USBA33C
IDD_MEM_LEAK			500	μA	
IDD_CORE_LEAK			1000	μA	

6.2.5 Temperature Range

Table 8 Temperature Range

Symbol	Parameter	Min	Typ	Max	Unit	Note
T _{op}	Operating temperature range	0	25	85	°C	
T _j	Junction temperature range	0		110	°C	
R _{th}	Thermal Resistance		29		°C/W	For CTBGA144 package

6.2.6 Audio Specification

Table 9 Audio Parameters

Symbol	Parameter	Notes	Min	Typ	Max	Unit
DAC Input to Line Output						
FS	Full Scale Output	1kHz FS input		0.985		V_{RMS}
SNR	Signal to Noise Ratio	A-weighted, no load, silence input		92		dB
DR	Dynamic Range	A-weighted, no load, -60dB FS 1kHz input		89		dB
THD	Total Harmonic Distortion	1kHz FS input		-90		dB
Line Input to Line Output						
FS	Full Scale Output	1kHz $1V_{RMS}$ (FS) input		0.95		V_{RMS}
SNR	Signal to Noise Ratio	A-weighted, no load, silence input		93		dB
THD	Total Harmonic Distortion	1kHz $1V_{RMS}$ (FS) input		-85		dB
CS	Channel Separation			89		dB
DAC Input to HP Output						
FS	Full Scale Output	$R_L = 32\Omega$		0.950		V_{RMS}
		$R_L = 16\Omega$		0.944		V_{RMS}
SNR	Signal to Noise Ratio	A-weighted, no load, silence input		94		dB
DR	Dynamic Range	A-weighted, no load, -60dB FS 1kHz input		90		dB
THD	Total Harmonic Distortion	no load, 1kHz FS input		-90		dB
		$P_{out}=20mW$, $R_L = 32\Omega$, $f=1kHz$ FS input		-73		dB
		$P_{out}=40mW$, $R_L = 16\Omega$, $f=1kHz$ FS input		-66		dB
CS	Channel Separation	$R_L = 32\Omega$		73		dB
		$R_L = 16\Omega$		66		dB
Line Input to HP Output						
FS	Full Scale Output	$R_L = 32\Omega$, 1kHz $1V_{RMS}$ (FS) input		0.930		V_{RMS}
		$R_L = 16\Omega$, 1kHz $1V_{RMS}$ (FS) input		0.936		V_{RMS}
SNR	Signal to Noise Ratio	A-weighted, no load, silence input		96		dB
DR	Dynamic Range	A-weighted, no load, -60dB FS 1kHz (FS) input		95		dB
THD	Total Harmonic Distortion	no load, 1kHz $1V_{RMS}$ input		-86		dB
		$P_{out}=20mW$, $R=32\Omega$, 1kHz $1V_{RMS}$ (FS) input		-75		dB
		$P_{out}=40mW$, $R=16\Omega$, 1kHz $1V_{RMS}$ (FS) input		-69	-60	dB
CS	Channel Separation	$R_L = 32\Omega$		70		dB
		$R_L = 16\Omega$		62		dB
Line Input to SP Output						
FS	Full Scale Output	$R_L = 32\Omega$, 1kHz $1V_{RMS}$ (FS) input		1.708		V_{RMS}
		$R_L = 16\Omega$, 1kHz $1V_{RMS}$ (FS) input		1.690		V_{RMS}
		$R_L = 4\Omega$, 1kHz $1V_{RMS}$ (FS) input		1.524		V_{RMS}
SNR	Signal to Noise Ratio	A-weighted, no load, silence input		94		dB
THD	Total Harmonic Distortion	no load, 1kHz $1V_{RMS}$ (FS) input		-86		dB
CS	Channel Separation	$R_L = 32\Omega$		70		dB

Symbol	Parameter	Notes	Min	Typ	Max	Unit
MIC Input to ADC Output						
SNR	Signal to Noise Ratio	A-weighted, no load, silence input		74		dB
DR	Dynamic Range	A-weighted, no load, -60dB FS 1kHz input		73		dB
THD	Total Harmonic Distortion	1kHz 53mV _{RMS} (FS) input		-61		dB
Line Input to ADC Output						
SNR	Signal to Noise Ratio	A-weighted, no load, silence input		83		dB
DR	Dynamic Range	A-weighted, no load, -60dB FS 1kHz input		82		dB
THD	Total Harmonic Distortion	1kHz, 1V _{RMS} , -3dB FS input		-62		dB

BVDD = 3.3V, T_A = 25°C, f_s = 48kHz, R_L = 10kΩ unless otherwise mentioned

7 Detailed Functional Descriptions

This chapter contains detailed functional descriptions of all modules of the chip. Central microcontroller is an ARM-9, all peripherals are connected to the AMBA bus which is divided into a AHB (advanced high speed bus) and APB (advanced peripheral bus) part. All audio, power management and system monitoring functions are controlled via an I2C interface (I2C audio master). This chapter includes also all detailed descriptions and performance values for these parts.

7.1 ARM922-T Processor Core

7.1.1 General

The ARM922T macrocell is a high-performance 32-bit RISC integer processor combining an ARM9TDMI™ processor core with:

- 8KB instruction cache and 8 KB data cache
- Instruction and data Memory Management Unit (MMU)
- Write buffer with 16 data words and 4 addresses
- Advanced Microprocessor Bus Architecture (AMBA™) AHB interface

The ARM922T provides a high-performance processor solution for open systems requiring full virtual memory management and sophisticated memory protection. The ARM922T processor core is capable of running at 250 MHz. The ARM922T hard macrocell has a very low power consumption. The integrated cache helps to significantly reduce memory bandwidth demands, improving performance and minimizing power consumption.

At 250 MHz the ARM922T consumes as little as 65 mW, making it ideal for high-performance battery operated audio or video applications.

The ARM core and associated bus structures are configured for little endian byte order (compatible with Windows CE™ and Symbian™ OS).

Table 10 ARM 922T characteristics

Cache (I/D)	MMU	AHB	Thumb	mW/MHz	MHz
8KB / 8KB	yes	yes	yes	0.25 @ 1.2 V	250

Features

- 32-bit RISC architecture (ARMv4T)
- Harvard architecture with separated instruction (I) and data (D) caches with 8 KB each and 8-word line length
- Five stage pipeline (fetch, decode, execute, memory, write back) enabling high master clock speeds
- 32-bit ARM instruction set for maximum performance and flexibility
- 16-bit Thumb instruction set for increased code density
- Enhanced ARM architecture V4 MMU to provide translation and access permission checks for instruction and data addresses. With this MMU different operating systems (Windows CE, Symbian ...) can be implemented.
- Industry standard AMBA bus interface (AHB and APB)
- Hard-macro implementation
- The processor core clock frequency (FCLK) is programmable up to 250MHz and the ARM922 power consumption is directly proportional to this clock frequency FCLK

7.1.2 Block Diagrams

Figure 4 ARM 922T Functional Block Diagram

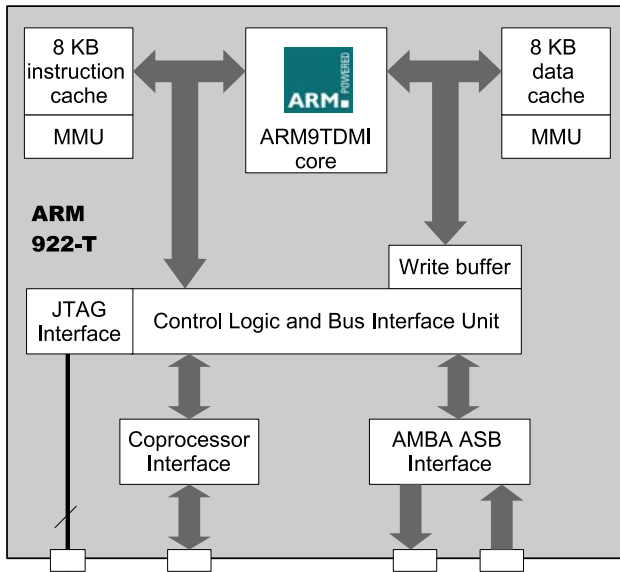
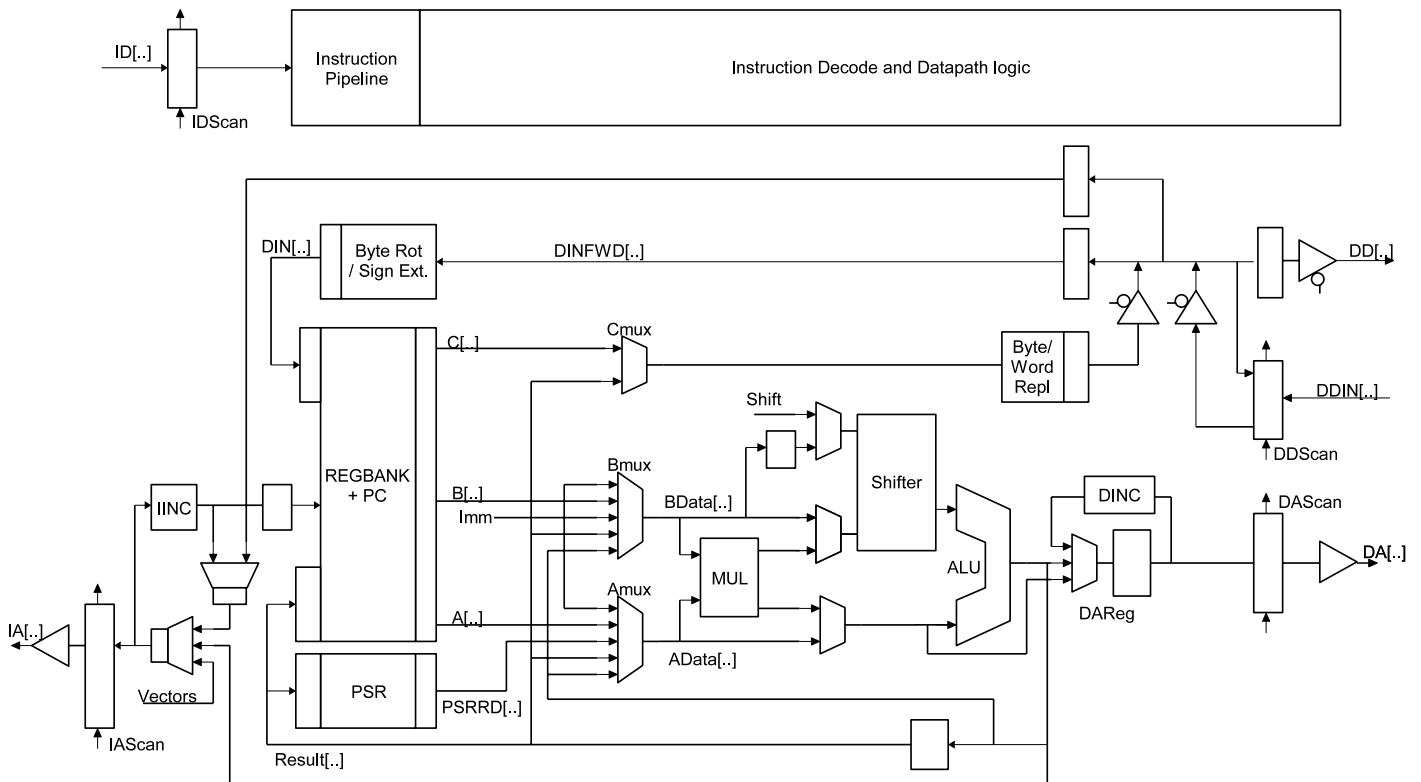


Figure 5 ARM9TDMI Functional Block Diagram



7.1.3 ARM922T Details

The ARM922T macrocell is based on the ARM9TDMI Harvard architecture processor core with an efficient five-stage pipeline. To reduce the effect of memory bandwidth and latency on performance, the ARM922T macrocell includes separate caches and MMUs for both instructions and data. It also has a write buffer and physical address TAG RAM.

Caches

Two 8KB caches are implemented, one for instructions, the other for data, both with an 8-word line size. Separate buses connect each cache to the ARM9TDMI core permitting a 32 bit instruction to be fetched and fed into the Decode stage of the pipeline at the same time as a 32 bit data access for the memory stage of the pipeline.

Cache lock-down is provided to permit critical code sequences to be locked into the cache to ensure predictability for real-time code. The cache replacement algorithm can be selected by the operating system as either pseudo-random or round-robin. Both caches are 64-way set-associative. Lock-down operates on a per-way basis.

Write Buffer

The ARM922T macrocell also incorporates a 16-data, 4-address write buffer to avoid stalling the processor when writes to external memory are performed.

PA TAG RAM

The ARM922T macrocell implements a physical address TAG RAM (PA TAG RAM) to perform write-backs from the data cache.

The physical addresses of all the lines held in the data cache are stored by the PA TAG memory, removing the requirement for address translation when evicting a line from the cache.

MMU

The ARM922T macrocell implements an enhanced ARMv4 MMU to provide translation and access permission checks for the instruction and data address ports of the ARM9TDMI core.

The MMU features are:

- Standard ARMv4 MMU mapping sizes, domains, and access protection scheme
- Mapping sizes are 1 MB sections, 64 KB large pages, 4 KB small pages, and new 1KB tiny pages
- Access permissions for sections
- Access permissions for large pages and small pages can be specified separately for each quarter of the page (subpages)
- Access permissions for tiny pages
- 16 domains implemented in hardware
- 64-entry instruction Translation-Lookaside-Buffer (TLB) and 64-entry data TLB
- Hardware page table walks
- Round-robin replacement algorithm (also called cyclic)

Control Coprocessor (CP15)

The control coprocessor is provided for configuration of the caches, the write buffer, and other ARM922T options.

Eleven registers are available for program control:

- Register 1 controls system operation parameters including endianness, cache, and MMU enable
- Register 2 and 3 configure and control MMU functions
- Register 5 and 6 provide MMU status information
- Register 7 and 9 are used for cache maintenance operations
- Register 8 and 10 are used for MMU maintenance operations
- Register 13 is used for fast context switching
- Register 15 is used for test.

Debug Features

The ARM9TDMI processor core incorporates an EmbeddedICE unit and EmbeddedICE-RT logic permitting both software tasks and external debug hardware to

- Set hardware and software breakpoints
- Perform single-stepping
- Enable access to registers and memory

This functionality is implemented as a coprocessor and is accessible from hardware through the JTAG port.

Full-speed, real-time execution of the processor is maintained until a breakpoint is hit.

At this point control is passed either to a software handler or to JTAG control.

7.1.4 ARM V4T Architecture

The ARM9TDMI processor core implements the ARMv4T Instruction Set Architecture (ISA). The ARMv4T ISA is a superset of the ARMv4 ISA with additional support for the Thumb 16-bit compressed instruction set.

Performance and Code Density

The ARM9TDMI core executes two instruction sets

- 32-bit ARM instruction set
- 16-bit Thumb instruction set

The ARM instruction set is designed so that a program can achieve maximum performance with the minimum number of instructions. Most ARM9TDMI instructions are executed in a single cycle.

The simpler Thumb instruction set offers much increased code density deducing code size and memory requirement.

Code can switch between the ARM and Thumb instruction sets on any procedure call.

ARM9TDMI Integer Pipeline Stages

The integer pipeline consists of five stages to maximize instruction throughput in the ARM9TDMI core:

- Fetch
- Decode and register read
- Execute shift and ALU operation, or address calculate, or multiply
- Memory access and multiply
- Write register

By using a five-stage pipeline, the ARM922T delivers a throughput approaching one instruction per cycle.

Registers

The ARM9TDMI processor core consists of a 32-bit datapath and associated control logic. This datapath contains 31 general-purpose registers, coupled to a full shifter, Arithmetic Logic Unit, and a multiplier. At any one time 16 registers are visible to the user. The remainder are mode-specific replacement registers (banked registers) used to speed up execution processing, and make nested exceptions possible.

Register 15 is the Program Counter (PC) that can be used in all instructions to reference data relative to the current instruction. R14 holds the return address after a subroutine call. R13 is used (by software convention) as a stack pointer.

Exception Types/Modes

The ARM9TDMI core supports five types of exception, and a privileged processing mode for each type. The types of exceptions are:

- Fast interrupt (FIQ)
- Normal interrupt (IRQ)
- Memory aborts (used to implement memory protection or virtual memory)
- Attempted execution of an undefined instruction
- Software interrupts (SWIs)

All exceptions have banked registers for R14 and R13. After an exception, R14 holds the return address for exception processing. This address is used both to return after the exception is processed and to address the instruction that caused the exception.

R13 is banked across exception modes to provide each exception handler with a private stack pointer. The fast interrupt mode also banks registers 8 to 12 so that interrupt processing can begin without the need to save or restore these registers.

A seventh processing mode, System mode, uses the User mode registers. System mode runs tasks that require a privileged processor mode and enables them to invoke all classes of exceptions.

Status Registers

All other processor states are held in status registers. The current operating processor status is in the Current Program Status Register (CPSR). The CPSR holds:

- Four ALU flags (Negative, Zero, Carry, Overflow)
- An interrupt disable bit for each of the IRQ and FIQ interrupts
- A bit to indicate ARM or Thumb execution state
- Five bits to encode the current processor mode

All five exception modes also have a Saved Program Status Register (SPSR) that holds the CPSR of the task immediately before the exception occurred.

Conditional Execution

All ARM instructions can be executed conditionally and can optionally update the four condition code flags (Negative, Zero, Carry, and Overflow) according to their result. Fifteen conditions are implemented.

Classes of Instructions

The ARM and Thumb instruction sets can be divided into four broad classes of instruction:

- Data processing instructions
- Load and store instructions
- Branch instructions
- Coprocessor instructions

Data Processing Instructions

The data processing instructions operate on data held in general-purpose registers. Of the two source operands, one is always a register. The other has two basic forms:

- An immediate value
- A register value optionally shifted

If the operand is a shifted register, the shift can be an immediate value or the value of another register. Four types of shift can be specified. Most data processing instructions can perform a shift followed by a logical or arithmetic operation.

There are two classes of multiply instructions:

- Normal, 32 bit result
- Long, 64 bit result variants.

Both types of multiply instruction can optionally perform an accumulate operation

Load and Store Instructions

There are two main types of load and store instructions:

- Load or store the value of a single register
- Load or store multiple register values

Load and store single register instructions can transfer a 32-bit word, a 16-bit halfword, or an 8-bit byte between memory and a register. Byte and halfword loads can be automatically zero extended or sign extended as they are loaded. These instructions have three primary addressing modes:

- Offset
- Pre-indexed
- Post-indexed

The address is formed by adding an immediate, or register-based, positive, or negative offset to a base register. Register-based offsets can also be scaled with shift operations. Pre-indexed and post-indexed addressing modes update the base registers with the base plus offset calculation.

As the PC is a general-purpose register, a 32-bit value can be loaded directly into the PC to perform a jump to any address in the 4GB memory space.

Load and store multiple instructions perform a block transfer of any number of the general purpose registers to, or from, memory. Four addressing modes are provided:

- Pre-increment addressing
- Post-increment addressing
- Pre-decrement addressing
- Post-decrement addressing

The base address is specified by a register value (that can be optionally updated after the transfer). As the subroutine return address and the PC values are in general-purpose registers, very efficient subroutine calls can be constructed.

Branch Instructions

As well as letting data processing or load instructions change control flow (by writing the PC) a standard branch instruction is provided with 24-bit signed offset, providing for forward and backward branches of up to 32 MB.

A branch with link (BL) instruction enables efficient subroutine calls. BL preserves the address of the instruction after the branch in R14 (Link register or LR). This lets a move instruction put the LR in to the PC and return to the instruction after the branch.

The branch and exchange (BX) instruction switches between ARM and Thumb instruction sets with the return address optionally preserving the operating mode of the calling subroutine.

Coprocessor Instructions

There are three types of coprocessor instructions:

- Coprocessor data processing instructions
- Coprocessor register transfer instructions
- Coprocessor data transfer instructions

7.1.5 JTAG Interface

The ARM933T debug interface is based on IEEE Std. 1149.1- 1990, standard test access port. The ARM922T contains hardware extensions for advanced debugging features. These are intended to ease the development of application software.

The debug extensions allow the core to be stopped by one of the following:

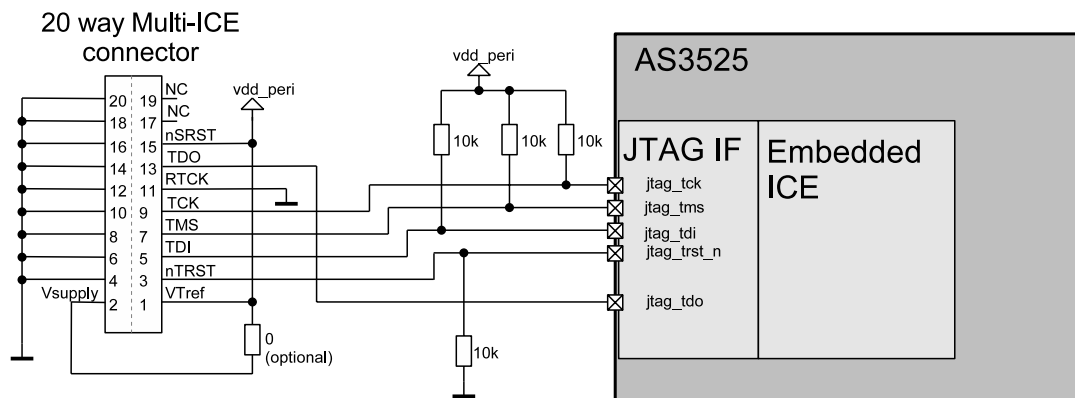
- A given instruction fetch (breakpoint)
- A data access (watchpoint)
- Asynchronously by a debug request

When this happens, the ARM922T is said to be in debug state. At this point, you can examine the internal state of the core and the external state of the system. When examination is complete, you can restore the core and system state and resume program execution.

Normally, all control for debugging is done by running a debugger software (ARM AXD or ARM Realview Debugger) on a debug host PC. Connection to the chip is done by an ARM Multi-ICE interface, which connects either to the parallel port or the USB port of the debug host PC.

The connection to the multi-ICE interface is done via a 20 way connector and ribbon cable. Following diagram shows the signals connections of the AS3525 to this ICE connector.

Figure 6 Interface connector to multi-ICE



7.1.6 Boot Concept

It can be selected if the system should boot either using the internal ROM (internal boot loader) or an external ROM/Flash (connected to the MPMC interface). XPC[0] is read within global chip reset to do the selection of either internal or external boot.

Table 11 Boot definitions for internal/external boot selection

XPC[0]	Booting Option
1	Internal ROM
0	External ROM/Flash

7.1.6.1 Internal Bootloader Version C22

Within the internal ROM boot loader several options for booting can be selected:

- SSP IF - SPI master for ST serial flash types
- SSP IF - SPI slave
- NandFlash
- Debug UART diagnostics
- IDE boot: direct boot from harddisk
- USB boot promer. In the case that a USB connection is present and either an update button is pressed or there is no bootable device, the USB promer is started (see Figure 7 "Boot decision between normal boot and USB boot promer" for details). The USB boot promer allows update of the firmware by using an USB mass storage class device. This update can be used either for initial programming (factory programming) or as mechanism for an in-field firmware update.

All boot loader options of the internal bootloader are configured by XPC[3:1] pins. External pull-up or pull-down resistors should be used to configure the boot options.

Table 12 Boot definitions Chip version C22

XPC[3:1]	Boot Device
0 000	SPI master ST M25Pxx serial Nor Flash
1 001	SPI master Atmel AT45DB011B serial Nor Flash
2 010	SPI slave
3 011	NandFlash
4 100	IDE
5 101	reserved for developers mode
6 110	UART / Command Line Interface without diagnostics
7 111	UART / Command Line Interface with diagnostics

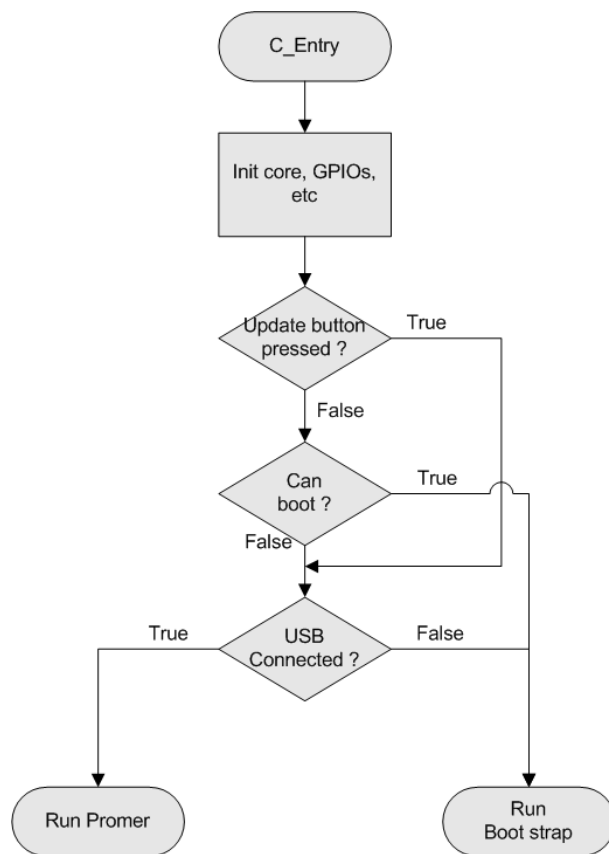
The update button is located between xpa[4] and xpa[0]. Within the key scan routine, xpa[4] is driven shortly to each logic level "0" and "1" and the value of xpa[0] is read back to sense a keypress of the update button.

For the USB promer, it is necessary that frequency settings defining the quartz crystal frequency are defined by the pins xpa[6:4]. For details refer to "Table 13 USB promer frequency settings". These settings are read at the beginning in the initialisation routine of the bootloader.

Table 13 USB promer frequency settings

XPA[6:4]	USB promer frequency settings
000	24 MHz
001	20 MHz
010	13 MHz
011	12 MHz
100	10 MHz
others	reserved / defaults to 24 MHz

Figure 7 Boot decision between normal boot and USB boot promoter



7.2 AHB Peripheral Blocks

ARM AHB ("advanced high-performance bus") is the new generation of AMBA bus, which is intended to address the requirements of high-performance synthesizable designs. AMBA AHB implements the features required for high performance, high clock frequency systems including:

- burst transfers
- split transactions
- single cycle bus master handover
- non-tristate implementation
- 32 bit bus width
- the clock frequency of the AHB can set by software up to 65MHz

7.2.1 2.5 MBIT RAM Main Memory

The memory subsystem consists of a RAM part and a ROM part.

Within the RAM memory subsystem, following functions are included:

- 1-TRAM controller with AHB bus slave interface
- 1-TRAM memory macros

7.2.1.1 1-TRAM Controller

The 1T RAM Controller is a slave interface connected to the AMBA AHB bus.

- slave AHB interface
- supports byte(8 bit), half-word(16 bit) and word(32 bit) read/write accesses
- 128-bit Line Buffer as temporary storage to reduce the number of memory accesses and optimise power consumption
- controls 5TSMC 1T-RAM instances

7.2.1.2 On-Chip 1T-RAM macro blocks

TSMC Emb1tRAM™ technology is a special kind of DRAM, which is implemented in a logic CMOS process. This innovative concept and design guarantees lowest power, high density, high performance and high yield advantages.

ECC (Error Correction Code) technique is applied in the macro to dynamically correct errors caused by hard defects or soft errors. No fuses are needed because the conventional redundancy scheme is replaced with ECC design in the macro.

The macro can be operated at clock rate from 20 MHz up to maximum AHB bus clock frequency in flow through random access mode. In the product, one idle cycle for refresh is needed in every 32 clock cycles.

Total 5 macros with organisation of 4Kx128 = 64 KByte each are implemented. For the refresh, one master macro is generating the refresh clock (T1F4Kx128_PIFE) and four macros are connected serially in slave mode to the refresh clock (T1F4Kx128PIFES).

Features

- 20 Mhz to 65 Mhz operation speed
- Flow through random access
- Built-in error correction (ECC)
- 128-bit wide data bus
- Separated data in/out bus
- SRAM-style interface operation
- Built-in refresh controller with refresh clock generator

7.2.2 On-Chip ROM

7.2.2.1 ROM Controller

The ROM controller implements the AHB slave interface for accessing the ROM.

The ROM controller generates OK response for all reads and error response for all writes.

Access width is always 32 bits.

7.2.2.2 1MBIT ROM

128 KByte of on-chip mask-programmable ROM are included.

The ROM is metal mask programmable by a single mask change (VIA2).

The ROM contains the following firmware package

- Boot loader

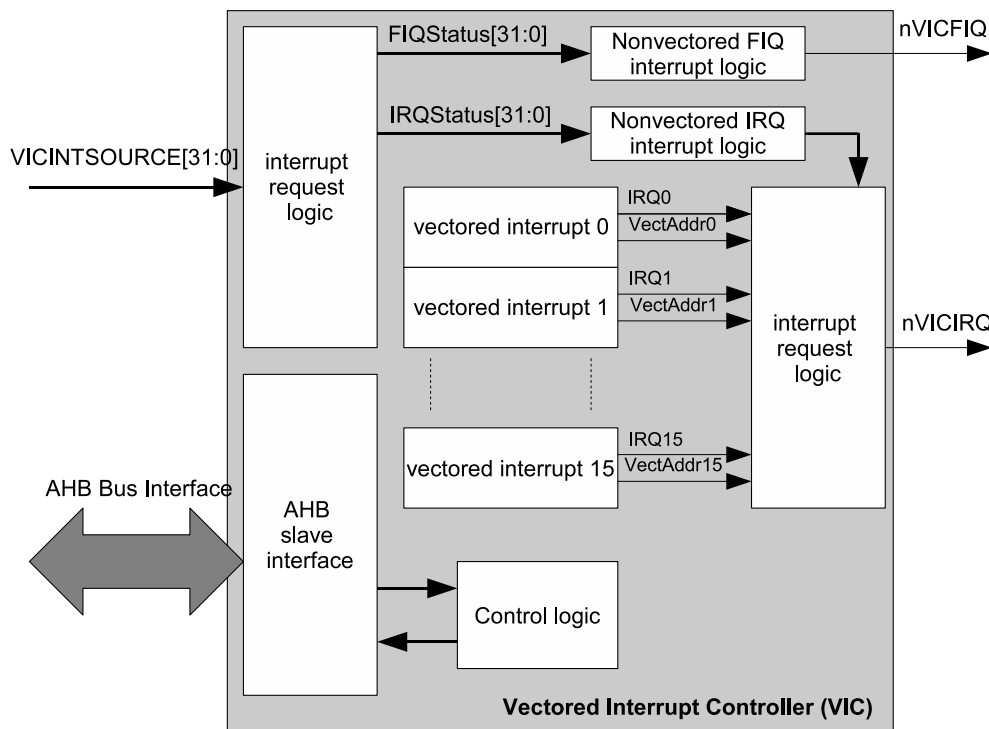
7.2.3 VIC – Vectored Interrupt Controller

The ARM PrimeCell™ PL190 “vectored interrupt controller” is included in the AHB system.

7.2.3.1 Features

- AMBA specification Rev 2.0 compliant
- support for 32 standard interrupts
- support for 16 vectored interrupts
- hardware interrupt priority
- IRQ and FIQ generation
- AHB mapped for fast interrupt response
- software interrupt generation
- test registers
- raw interrupt status
- interrupt request status
- interrupt masking
- privileged mode support

Figure 8 VIC Block Diagram



7.2.3.2 VIC Interrupt Sources

Table 14 VIC Interrupt Sources

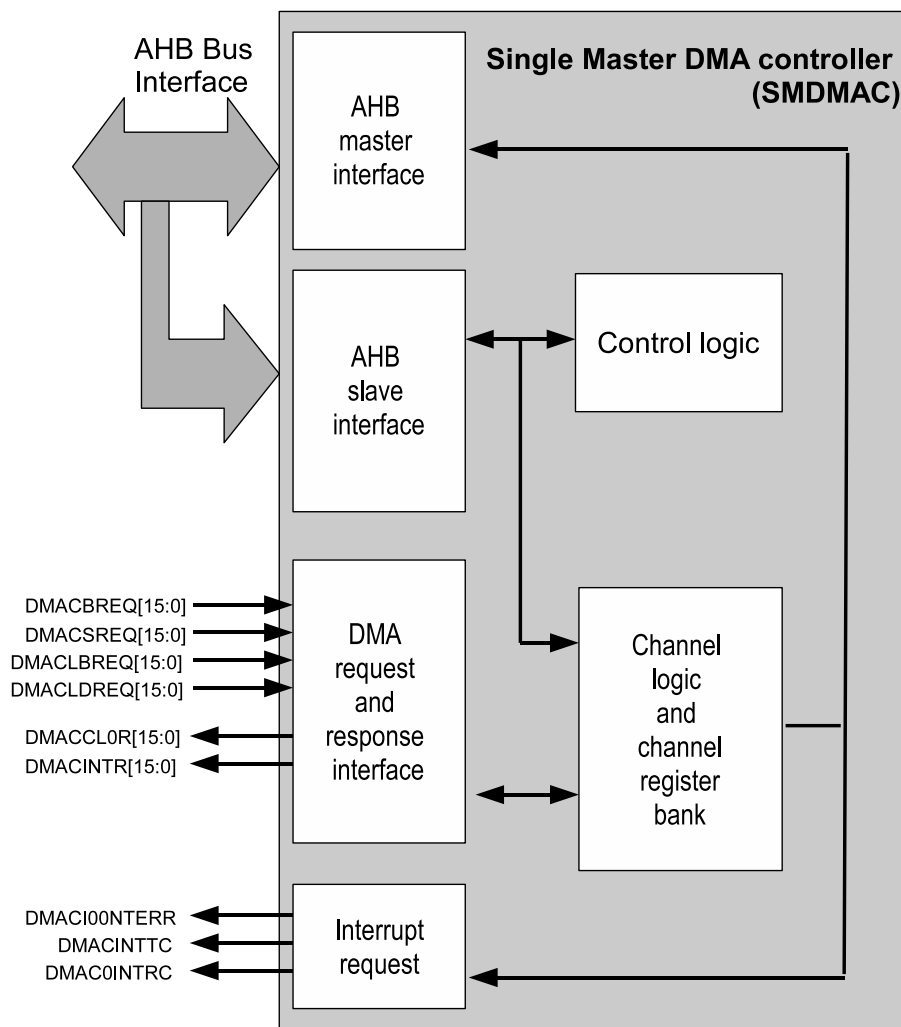
IRQ Source	Module	IRQ Source	Module
0	Watchdog	16	GPIO4 (XPD)
1	Timer 1	17	-
2	Timer 2	18	CGU
3	USB	19	Memory Stick
4	DMAC	20	DBOP
5	Nand Flash	21	-
6	IDE	22	-
7	MCI INTR0	23	-
8	MCI INTR1	24	-
9	AUDIO IRQ	25	-
10	SSP	26	-
11	I2C MS	27	-
12	I2C Audio	28	-
13	I2SIN	29	GPIO1 (XPA)
14	I2SOUT	30	GPIO2 (XPB)
15	UART	31	GPIO3 (XPC)

7.2.4 SMDMAC - Single master DMAC

The ARM PrimeCell™ PL081 “SMDMAC single master DMA controller” is included in the AHB system.

- AMBA specification Rev 2.0 compliant
- two DMA channels. Each channel can support a unidirectional transfer
- provides 16 peripheral DMA request lines
- single DMA and burst DMA request signals. Each peripheral connected to the PrimeCell™ SMDMAC can assert either a burst DMA request or a single DMA request. The DMA burst size is set by programming the PrimeCell™ SMDMAC
- Memory-to-Memory, memory-to-peripheral, peripheral-to-memory and peripheral-to-peripheral transfers.
- Scatter or gather DMA is supported through the use of linked lists. This means that the source and destination areas do not need to occupy contiguous areas of memory
- Hardware DMA channel priority. Each DMA channel has a specific hardware priority. DMA channel 0 has the highest priority and channel 1 has the lowest priority. If requests from two channels become active at the same time the channel with the highest priority is serviced first.
- AHB slave DMA programming interface. The PrimeCell™ SMDMAC is programmed by writing to the DMA control registers over the AHB slave interface
- One AHB bus master for transferring data. This interface is used to transfer data when a DMA request goes active.

Figure 9 SMDMAC Block Diagram



7.2.4.1 DMAC Registers

Table 15 DMAC Registers

Register Name	Base Address	Offset	Note
DMAC_IntStatus	AS3525_DMACHASE	0x000	Interrupt status register
DMAC_IntTCStatus	AS3525_DMACHASE	0x004	Interrupt terminal count status register
DMAC_IntTCClear	AS3525_DMACHASE	0x008	Interrupt terminal count clear register
DMAC_IntErrorStatus	AS3525_DMACHASE	0x00C	Interrupt error status register
DMAC_IntErrorClear	AS3525_DMACHASE	0x010	Interrupt error clear register
DMAC_RawIntTCStatus	AS3525_DMACHASE	0x014	Raw interrupt terminal count status register
DMAC_RawIntErrorStatus	AS3525_DMACHASE	0x018	Raw interrupt error status register
DMAC_SoftBReq	AS3525_DMACHASE	0x020	Software burst request register
DMAC_SoftSReq	AS3525_DMACHASE	0x024	Software single request register
DMAC_SoftLBReq	AS3525_DMACHASE	0x028	Software last burst request register
DMAC_SoftSBReq	AS3525_DMACHASE	0x02C	Software last single request register
DMAC_Configuration	AS3525_DMACHASE	0x030	Configuration register
DMAC_Sync	AS3525_DMACHASE	0x034	Synchronisation register
DMAC_C0SrcAddr	AS3525_DMACHASE	0x100	Channel 0 source address
DMAC_C0DestAddr	AS3525_DMACHASE	0x104	Channel 0 destination address
DMAC_C0LLI	AS3525_DMACHASE	0x108	Channel 0 linked list item register
DMAC_C0Control	AS3525_DMACHASE	0x10C	Channel 0 control register
DMAC_C0Configuration	AS3525_DMACHASE	0x110	Channel 0 configuration register
DMAC_C1SrcAddr	AS3525_DMACHASE	0x120	Channel 1 source address
DMAC_C1DestAddr	AS3525_DMACHASE	0x124	Channel 1 destination address
DMAC_C1LLI	AS3525_DMACHASE	0x128	Channel 1 linked list item register
DMAC_C1Control	AS3525_DMACHASE	0x12C	Channel 1 control register
DMAC_C1Configuration	AS3525_DMACHASE	0x130	Channel 1 configuration register
DMAC_PeripheralId0	AS3525_DMACHASE	0xFE0	peripheral ID0 register
DMAC_PeripheralId1	AS3525_DMACHASE	0xFE4	peripheral ID1 register
DMAC_PeripheralId2	AS3525_DMACHASE	0xFE8	peripheral ID2 register
DMAC_PeripheralId3	AS3525_DMACHASE	0xFEC	peripheral ID3 register
DMAC_CellId0	AS3525_DMACHASE	0xFF0	peripheral cell ID0 register
DMAC_CellId1	AS3525_DMACHASE	0xFF4	peripheral cell ID1 register
DMAC_CellId2	AS3525_DMACHASE	0xFF8	peripheral cell ID2 register
DMAC_CellId3	AS3525_DMACHASE	0xFFC	peripheral cell ID3 register

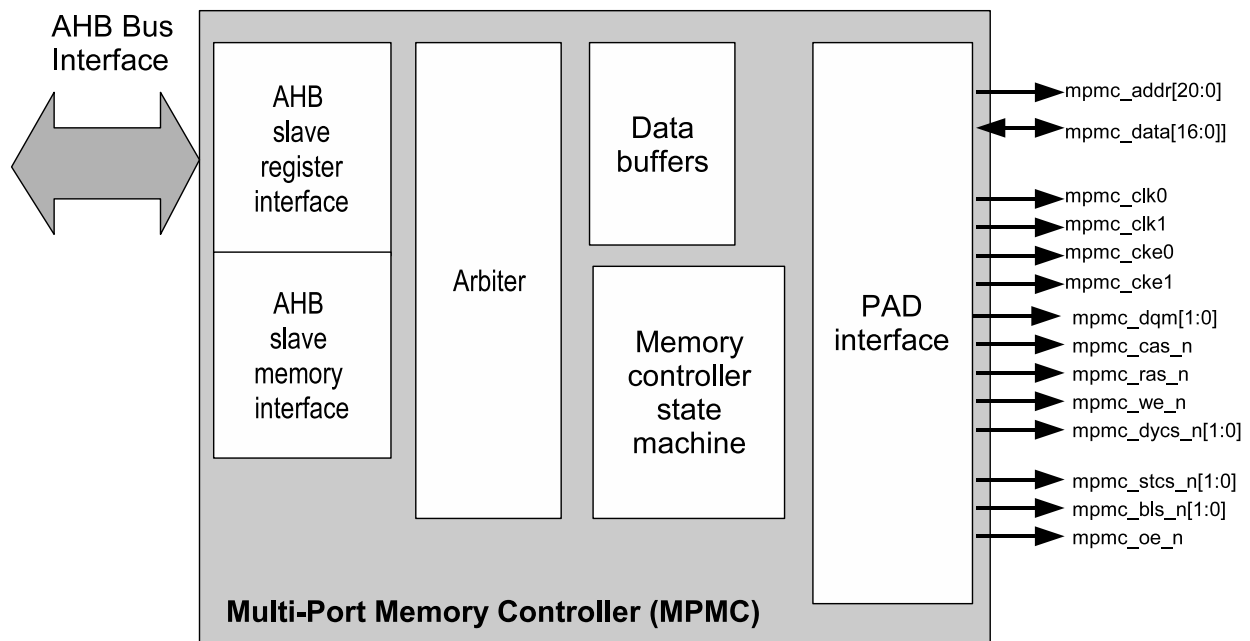
7.2.5 Multi Port Memory Controller (MPMC)

The MPMC block is integrated into the AMBA system through AHB slave port.

The PrimeCell™ MPMC offers:

- AMBA 32-bit AHB compliance.
- Dynamic memory interface support including SDRAM and JEDEC low-power SDRAM
- Asynchronous static memory device support including RAM, ROM, and Flash, with or without asynchronous page mode.
- Low transaction latency.
- Read and write buffers to reduce latency and to improve performance.
- Single AHB interface for accessing external memory.
- 8-bit and 16-bit wide static memory support.
- 16-bit wide chip select SDRAM memory support.
- Static memory features include:
 - asynchronous page mode read
 - programmable wait states
 - bus turnaround delay
 - output enable, and write enable delays
 - extended wait
- Two chip selects for synchronous memory and two chip selects for static memory devices.
- Software controllable HCLK to MPMCCLKOUT ratio.
- Power-saving modes dynamically control SDRAM MPMCCKEOUT and MPMCCLKOUT.
- Dynamic memory self-refresh mode supported by software.
- Controller supports 2K, 4K, and 8K row address synchronous memory parts. That is typical 512MB, 256MB, 128MB, and 16Mb parts, with 8, 16 bits per device.
- Two reset domains enable dynamic memory contents to be preserved over a soft reset.
- A separate AHB interface to program the MPMC. This enables the PrimeCell™ MPMC registers to be situated in memory with other system peripheral registers.
- Locked AHB transactions supported.
- Support for all AHB burst types.

Figure 10 Multi Port Memory Controller Block Diagram



7.2.6 IDE Interface

Note: The IDE interface is only available on AS3525-A, not for AS3525-B because some of the IDE PINs are not bonded within the AS3525-B package variant.

The IDE host interface core provides an efficient and easy-to-use interface to IDE and ATAPI devices. The core implements programmable I/O, Multi-word DMA, and Ultra ATA-33, -66, -100 and -133 modes of operation and supports up to two devices. The core interface to the system-on-chip provides PIO access and DMA capability to optimise data transfers to and from the IDE devices. For ease of integration, this interface includes a register set compatible with the Intel chip set, including a descriptor-based scatter-gather DMA core. This core is compatible with ATA-4 with Ultra ATA-33, -66, -100 and -133 extensions. Single-word DMA is not supported.

The licensed SpeedSelect™ technology allows the core to be reconfigured to support any timing mode for PIO, Multi-Word DMA, and Ultra ATA transfers (-33, -66, -100 or -133) while running at any clock frequency. Interface to the host processor is the AMBA AHB bus architecture.

There are two AHB interfaces on the core: an AHB master and an AHB slave.

7.2.6.1 AHB Master Interface

The AHB Master implements a subset of the AHB protocol. The following features are supported:

- Single transfer, unspecified-length, 4-beat incrementing and optionally 8-beat incrementing bursts (HBURST will be '000', '001', '011', or optionally '101')
- Accesses that cross a 1kB boundary will be unspecified-length incrementing (HBURST will be '001')
- 16-bit and 32-bit transfers only (HSIZE will only be '001' or '010')
- BUSY cycles are not issued (HTRANS will not be '01')
- HPROT is not implemented
- OKAY, SPLIT and RETRY responses accepted (HRESP may be '00', '10' or '11')
- HLOCK asserted during fixed-length bursts
- The AHB master may be granted by default

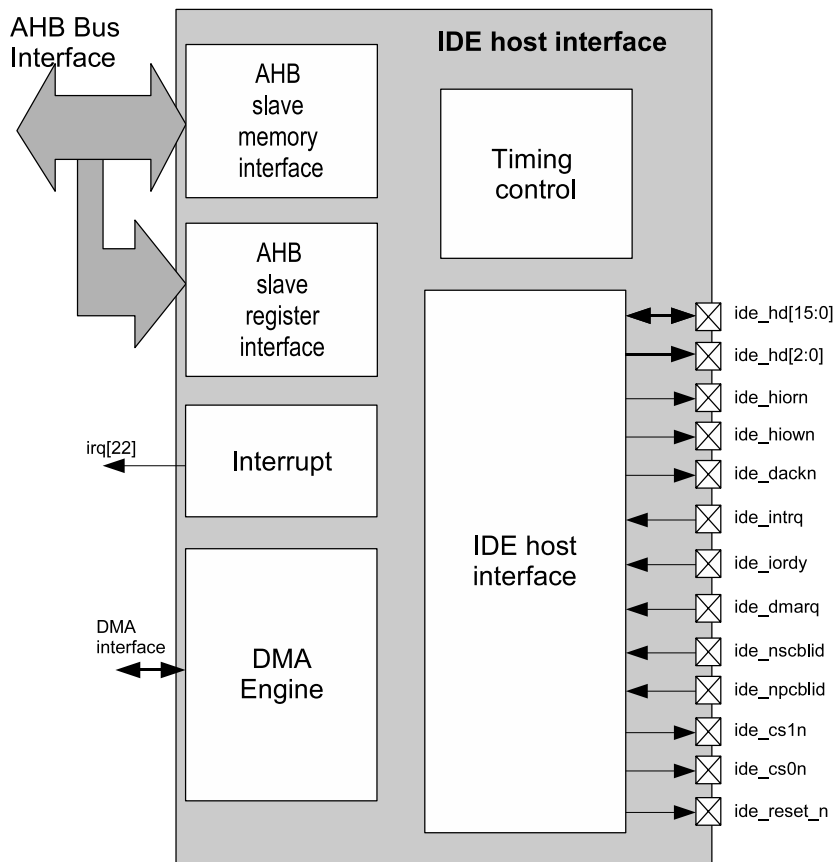
7.2.6.2 AHB Slave Interface

The AHB Slave implements a subset of the AHB protocol. The following features are supported:

- Non-burst only (HBURST must be '000')
- 8-, 16-, or 32-bit transfers only (HSIZE must be '000', '001' or '010')
- No advantage is gained by issuing a SEQ cycle over a NONSEQ cycle (HTRANS values of '10' and '11' are interpreted identically)
- HPROT is ignored
- HRESP is '00' (OKAY)
- HREADY is issued no sooner than 2 clock cycles after a valid SEQ or NONSEQ cycle
- The AHB slave may be selected by default

7.2.6.3 IDE Block diagram

Figure 11 IDE Block Diagram



7.2.6.4 IDE Interface Registers

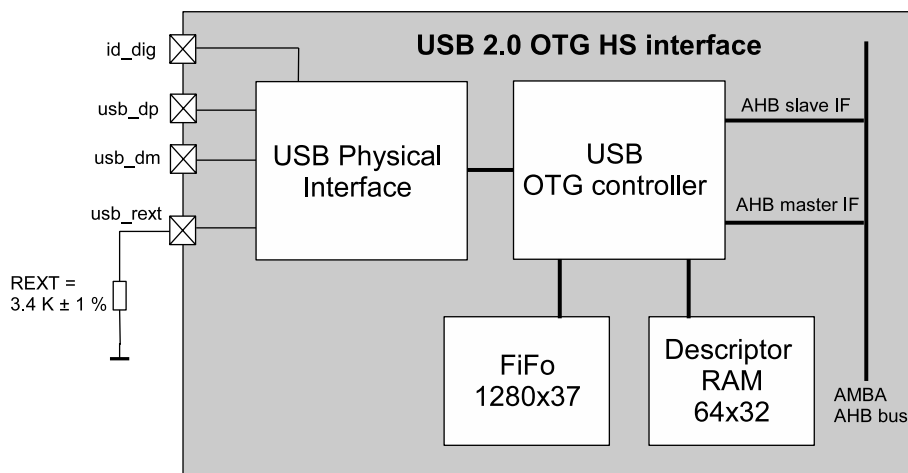
Table 16 IDE Interface Registers

Register Name	Base Address	Offset	Note
IdeReg_BMICP	AS3525_CF_IDE_BASE	0x00	primary channel bus master command
IdeReg_BMISP	AS3525_CF_IDE_BASE	0x02	primary channel bus master status
IdeReg_BMIDTPP_LO	AS3525_CF_IDE_BASE	0x04	primary channel bus master table pointer
IdeReg_BMIDTPP_HI	AS3525_CF_IDE_BASE	0x06	
IdeReg_IDETIMP_LO	AS3525_CF_IDE_BASE	0x40	primary channel timing register
IdeReg_IDETIMP_HI	AS3525_CF_IDE_BASE	0x41	
IdeReg_IDETIMS_LO	AS3525_CF_IDE_BASE	0x42	secondary channel timing register
IdeReg_IDETIMS_HI	AS3525_CF_IDE_BASE	0x43	
IdeReg_SIDETIM	AS3525_CF_IDE_BASE	0x44	slave IDE timing register
IdeReg_SLEWCTL_LO	AS3525_CF_IDE_BASE	0x45	slew rate control register
IdeReg_SLEWCTL_HI	AS3525_CF_IDE_BASE	0x46	
IdeReg_IDESTAT	AS3525_CF_IDE_BASE	0x47	IDE status register
IdeReg_UDMACTL	AS3525_CF_IDE_BASE	0x48	ultra DMA control register
IdeReg_UDMATIM_LO	AS3525_CF_IDE_BASE	0x4A	ultra DMA timing register
IdeReg_UDMATIM_HI	AS3525_CF_IDE_BASE	0x4B	
IdeReg_MISCCTL	AS3525_CF_IDE_BASE	0x50	miscellaneous control register
IdeReg_REGSTB	AS3525_CF_IDE_BASE	0x54	task file register strobe timing register
IdeReg_REGRCVR	AS3525_CF_IDE_BASE	0x58	task file register recovery timing register
IdeReg_DATSTB	AS3525_CF_IDE_BASE	0x5C	data register PIO strobe timing register
IdeReg_DATRCVR	AS3525_CF_IDE_BASE	0x60	data register PIO recovery timing register
IdeReg_DMASTB	AS3525_CF_IDE_BASE	0x64	DMA strobe timing register
IdeReg_DMARCVR	AS3525_CF_IDE_BASE	0x68	DMA recovery timing register
IdeReg_UDMASTB	AS3525_CF_IDE_BASE	0x6C	ultra DMA strobe timing register
IdeReg_UDMATRP	AS3525_CF_IDE_BASE	0x70	ultra DMA ready-to-stop timing register
IdeReg_UDMATENV	AS3525_CF_IDE_BASE	0x74	ultra DMA timing envelope register
IdeReg_IORDYTMP	AS3525_CF_IDE_BASE	0x78	primary IO ready timer configuration reg
IdeReg_IORDYTMS	AS3525_CF_IDE_BASE	0x7C	secondary IO ready timer configuration reg
IdeTaskF_DATA	AS3525_CF_IDE_BASE	0x1F0	
IdeTaskF_ERR_FEAT	AS3525_CF_IDE_BASE	0x1F1	
IdeTaskF_SECT_CNT	AS3525_CF_IDE_BASE	0x1F2	
IdeTaskF_SECT_NUM	AS3525_CF_IDE_BASE	0x1F3	
IdeTaskF_CYL_LO	AS3525_CF_IDE_BASE	0x1F4	
IdeTaskF_CYL_HI	AS3525_CF_IDE_BASE	0x1F5	
IdeTaskF_DEV_HEAD	AS3525_CF_IDE_BASE	0x1F6	
IdeTaskF_STAT_CMD	AS3525_CF_IDE_BASE	0x1F7	
IdeTaskF_ALT_STAT_DEV_CTRL	AS3525_CF_IDE_BASE	0x3F6	
IdeTaskF_DEV_ADDR	AS3525_CF_IDE_BASE	0x3F7	

7.2.7 USB 2.0 HS OTG interface

The USB 2.0 on-chip interface includes the USB 2.0 On-The-Go Physical Interface and the HS OTG controller.

Figure 12 USB 2.0 Interface



7.2.7.1 HS OTG controller subsystem

The Synopsys HS OTG subsystem is a configurable design. The HS OTG subsystem is fully compliant with the On-The-Go supplement to the USB 2.0 specification, Revision 1.0a. The subsystem supports high speed (480-Mbps) and full-speed transfers. It is designed to interface to the AMBA AHB bus, shielding the application from the complexities of the HS OTG subsystem-native protocols and simplifying the system interface.

The OTG subsystem can be configured using application software as follows:

- OTG dual-role device (DRD)
- OTG device only
- OTG mini host only
- USB High-Speed (HS) device
- USB HS mini host
- USB Full-Speed (FS) device

The HS OTG subsystem has the following interfaces

- the UTMI+, which connect the on-chip PHY to the HS OTG core
- the AHB slave interface, which provides the microcontroller with read and write access to the core's control and status register (CSRs)
- the AHB master interface, which enables the core to act as a master on the AHB to transfer data to and from the core's DMA controller
- the descriptor prefetch buffer RAM interface, which connects to an single-port RAM for DMA descriptor prefetch buffer storage
- the data RAM interface, which connects to and dual-port RAM (FIFO memory) for transaction data storage

General features

- handles all clock synchronisation within the core
- uses a descriptor prefetch buffer for optimal AHB use in host mode
- supports adaptive buffering for dynamic FIFO memory allocation, avoiding gaps in RAM utilisation
- SOFs are supported in high/full speed modes
- includes built-in DMA
- includes hardware transaction scheduling for enhanced performance
- supports memory mapped address space for the CSRs

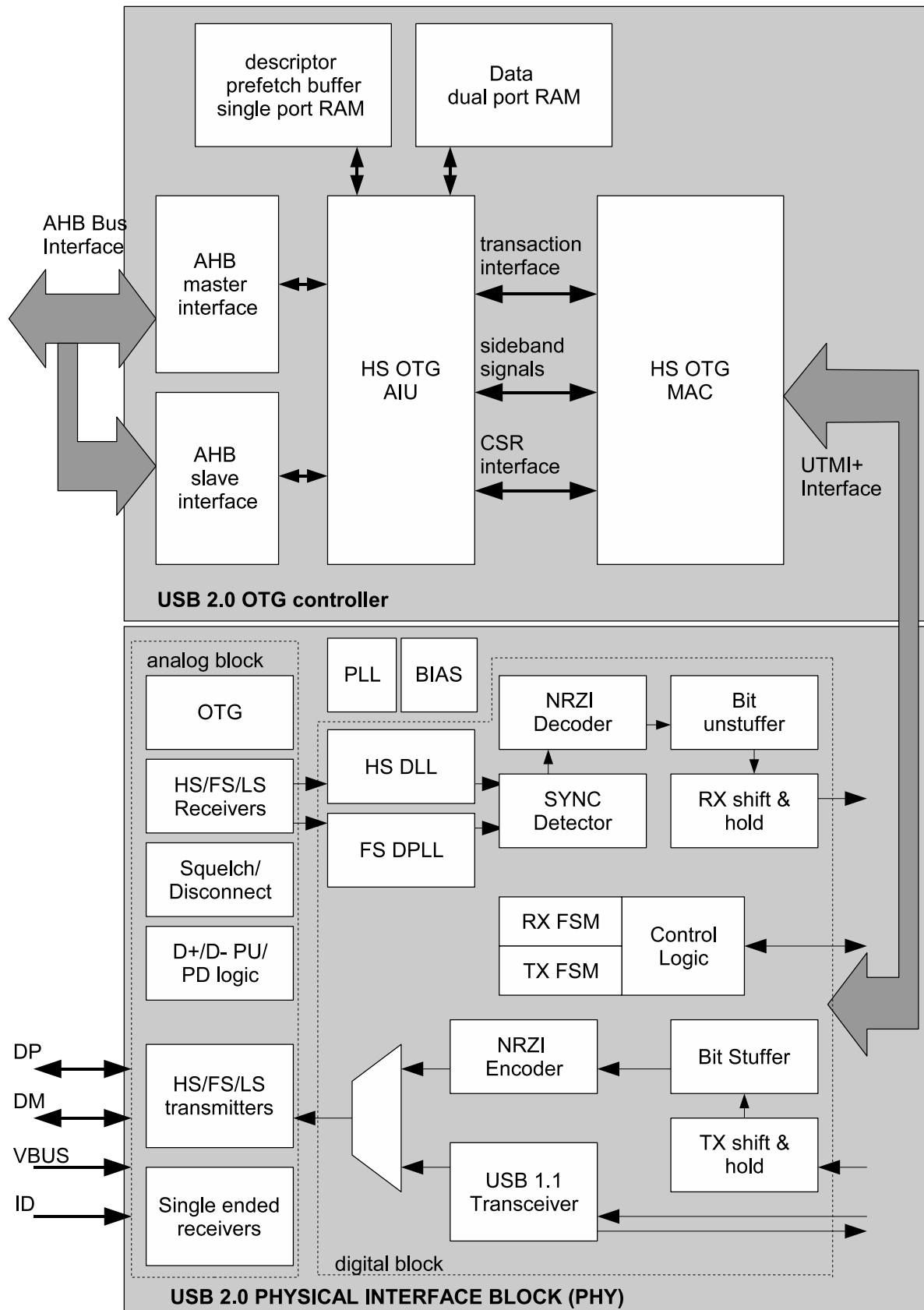
USB 2.0 supported features

- supports up to 15 configurations in Device mode
 - each configuration supports 15 interfaces
 - each interface handles up to 15 alternate settings
- supports session request protocol (SRP)
- supports session request protocol (SRP)
- supports Host Negotiation Protocol (HNP)
- recovers clock and data from the USB
- supports a generic root hub
- includes auto ping/split completion capabilities
- complies with UTMI+ level 3 interface

Implemented Controller configurations are:

- configured with 4 host channels and 3 bidirectional- plus 1 in-endpoints in device mode
- dynamic alternate configuration selection (for different bandwidths of isochronous endpoints)

Figure 13 USB 2.0 OTG Controller Block Diagram



7.2.7.2 USB 2.0 OTG PHY

- Complete PHY for USB2.0 On-The-Go
- USB 2.0 UTMI+ specification compliant
- Supports high speed (480 Mbit/s), full speed (12 Mbit/s) and low speed (1.5 Mbit/s) data transmission
- Supports OT supplement features: VBUS state detecting SRP request by “data-line pulsing” method
- Low jitter clock from either on-chip PLL (48MHz) or optional additional crystal (12MHz, 24MHz or 48MHz) which is available with the 224 pin package, only
- 16 bit parallel datain/out interface
- Typical current consumption on vdda33c and vdd33t:
 - 12 mA in FS RX mode
 - 30 mA in FS TX mode
 - 30 mA in HS RX mode
 - 40 mA in HS TX mode
 - < 100 uA in suspend mode
- Rext = 3.4kOhm (+/- 1%) must be connected between pads “rxt” and “vssa33c” to set the bias current.

7.2.7.3 USB 2.0 OTG Interface Registers

Table 17 USB Interface Registers

Register Name	Base Address	Offset	Note
USB_IEP0_CTRL	AS3525_USB_BASE	0x00000	Control Register
USB_IEP0_STS	AS3525_USB_BASE	0x00004	Status Register
USB_IEP0_TXFSIZE	AS3525_USB_BASE	0x00008	TxFIFO Size
USB_IEP0_MPS	AS3525_USB_BASE	0x0000c	Maximum Packet Size
USB_IEP0_DESC_PTR	AS3525_USB_BASE	0x00014	Data Descriptor Pointer
USB_IEP0_STS_MASK	AS3525_USB_BASE	0x00018	Status Mask Register
USB_IEP1_CTRL	AS3525_USB_BASE	0x00020	Control Register
USB_IEP1_STS	AS3525_USB_BASE	0x00024	Status Register
USB_IEP1_TXFSIZE	AS3525_USB_BASE	0x00028	TxFIFO Size
USB_IEP1_MPS	AS3525_USB_BASE	0x0002c	Maximum Packet Size
USB_IEP1_DESC_PTR	AS3525_USB_BASE	0x00034	Data Descriptor Pointer
USB_IEP1_STS_MASK	AS3525_USB_BASE	0x00038	Status Mask Register
USB_IEP2_CTRL	AS3525_USB_BASE	0x00040	Control Register
USB_IEP2_STS	AS3525_USB_BASE	0x00044	Status Register
USB_IEP2_TXFSIZE	AS3525_USB_BASE	0x00048	TxFIFO Size
USB_IEP2_MPS	AS3525_USB_BASE	0x0004c	Maximum Packet Size
USB_IEP2_DESC_PTR	AS3525_USB_BASE	0x00054	Data Descriptor Pointer
USB_IEP2_STS_MASK	AS3525_USB_BASE	0x00058	Status Mask Register
USB_IEP3_CTRL	AS3525_USB_BASE	0x00060	Control Register
USB_IEP3_STS	AS3525_USB_BASE	0x00064	Status Register
USB_IEP3_TXFSIZE	AS3525_USB_BASE	0x00068	TxFIFO Size
USB_IEP3_MPS	AS3525_USB_BASE	0x0006c	Maximum Packet Size
USB_IEP3_DESC_PTR	AS3525_USB_BASE	0x00074	Data Descriptor Pointer
USB_IEP3_STS_MASK	AS3525_USB_BASE	0x00078	Status Mask Register
USB_OEP0_CTRL	AS3525_USB_BASE	0x00200	Control
USB_OEP0_STS	AS3525_USB_BASE	0x00204	Status Register
USB_OEP0_RXFR	AS3525_USB_BASE	0x00208	Rx Packet Frame Number Register
USB_OEP0_MPS	AS3525_USB_BASE	0x0020c	RxFIFO Size/Maximum Packet Size
USB_OEP0_SUP_PTR	AS3525_USB_BASE	0x00210	Setup buffer Pointer Register
USB_OEP0_DESC_PTR	AS3525_USB_BASE	0x00214	Data Descriptor Pointer
USB_OEP0_STS_MASK	AS3525_USB_BASE	0x00218	Status Mask Register
USB_OEP1_CTRL	AS3525_USB_BASE	0x00220	Control Register
USB_OEP1_STS	AS3525_USB_BASE	0x00224	Status Register
USB_OEP1_RXFR	AS3525_USB_BASE	0x00228	Rx Packet Frame Number Register

Register Name	Base Address	Offset	Note
USB_OEP1_MPS	AS3525_USB_BASE	0x0022c	RxFIFO Size/Maximum Packet Size
USB_OEP1_SUP_PTR	AS3525_USB_BASE	0x00230	Setup buffer Pointer Register
USB_OEP1_DESC_PTR	AS3525_USB_BASE	0x00234	Data Descriptor Pointer
USB_OEP1_STS_MASK	AS3525_USB_BASE	0x00238	Status Mask Register
USB_OEP2_CTRL	AS3525_USB_BASE	0x00240	Control Register
USB_OEP2_STS	AS3525_USB_BASE	0x00244	Status Register
USB_OEP2_RXFR	AS3525_USB_BASE	0x00248	Rx Packet Frame Number Register
USB_OEP2_MPS	AS3525_USB_BASE	0x0024c	RxFIFO Size/Maximum Packet Size
USB_OEP2_SUP_PTR	AS3525_USB_BASE	0x00250	Setup buffer Pointer Register
USB_OEP2_DESC_PTR	AS3525_USB_BASE	0x00254	Data Descriptor Pointer
USB_OEP2_STS_MASK	AS3525_USB_BASE	0x00258	Status Mask Register
USB_OEP3_CTRL	AS3525_USB_BASE	0x00260	Control Register
USB_OEP3_STS	AS3525_USB_BASE	0x00264	Status Register
USB_OEP3_RXFR	AS3525_USB_BASE	0x00268	Rx Packet Frame Number Register
USB_OEP3_MPS	AS3525_USB_BASE	0x0026c	RxFIFO Size/Maximum Packet Size
USB_OEP3_SUP_PTR	AS3525_USB_BASE	0x00270	Setup buffer Pointer Register
USB_OEP3_DESC_PTR	AS3525_USB_BASE	0x00274	Data Descriptor Pointer
USB_OEP3_STS_MASK	AS3525_USB_BASE	0x00278	Status Mask Register
USB_DEV_CFG	AS3525_USB_BASE	0x00400	Device Configuration Register
USB_DEV_CTRL	AS3525_USB_BASE	0x00404	Device Control Register
USB_DEV_STS	AS3525_USB_BASE	0x00408	Device Status Register
USB_DEV_INTR	AS3525_USB_BASE	0x0040c	Device Interrupt Register
USB_DEV_INTR_MASK	AS3525_USB_BASE	0x00410	Device Interrupt Mask Register
USB_DEV_EP_INTR	AS3525_USB_BASE	0x00414	Device Endpoint Interrupt
USB_DEV_EP_INTR_MASK	AS3525_USB_BASE	0x00418	Device Endpoint Interrupt Mask
USB_PHY_EP0_INFO	AS3525_USB_BASE	0x00504	Information Register
USB_PHY_EP1_INFO	AS3525_USB_BASE	0x00508	Information Register
USB_PHY_EP2_INFO	AS3525_USB_BASE	0x0050c	Information Register
USB_PHY_EP3_INFO	AS3525_USB_BASE	0x00510	Information Register
USB_PHY_EP4_INFO	AS3525_USB_BASE	0x00514	Information Register
USB_PHY_EP5_INFO	AS3525_USB_BASE	0x00518	Information Register
USB_HOST_CH0_SPLT	AS3525_USB_BASE	0x01000	Split Information Register
USB_HOST_CH0_STS	AS3525_USB_BASE	0x01004	Status Register
USB_HOST_CH0_TXFSIZE	AS3525_USB_BASE	0x01008	TxFIFO Register
USB_HOST_CH0_REQ	AS3525_USB_BASE	0x0100c	Request Register
USB_HOST_CH0_PER_INFO	AS3525_USB_BASE	0x01010	Periodic/Split Transaction Information Register
USB_HOST_CH0_DESC_PTR	AS3525_USB_BASE	0x01014	Data Descriptor Pointer
USB_HOST_CH0_STS_MASK	AS3525_USB_BASE	0x01018	Status Mask Register
USB_HOST_CH1_SPLT	AS3525_USB_BASE	0x01020	Split Information Register
USB_HOST_CH1_STS	AS3525_USB_BASE	0x01024	Status Register
USB_HOST_CH1_TXFSIZE	AS3525_USB_BASE	0x01028	TxFIFO Register
USB_HOST_CH1_REQ	AS3525_USB_BASE	0x0102c	Request Register
USB_HOST_CH1_PER_INFO	AS3525_USB_BASE	0x01030	Periodic/Split Transaction Information Register
USB_HOST_CH1_DESC_PTR	AS3525_USB_BASE	0x01034	Data Descriptor Pointer
USB_HOST_CH1_STS_MASK	AS3525_USB_BASE	0x01038	Status Mask Register
USB_HOST_CH2_SPLT	AS3525_USB_BASE	0x01040	Split Information Register
USB_HOST_CH2_STS	AS3525_USB_BASE	0x01044	Status Register
USB_HOST_CH2_TXFSIZE	AS3525_USB_BASE	0x01048	TxFIFO Register
USB_HOST_CH2_REQ	AS3525_USB_BASE	0x0104c	Request Register
USB_HOST_CH2_PER_INFO	AS3525_USB_BASE	0x01050	Periodic/Split Transaction Information

Register Name	Base Address	Offset	Note
			Register
USB_HOST_CH2_DESC_PTR	AS3525_USB_BASE	0x01054	Data Descriptor Pointer
USB_HOST_CH2_STS_MASK	AS3525_USB_BASE	0x01058	Status Mask Register
USB_HOST_CH3_SPLT	AS3525_USB_BASE	0x01060	Split Information Register
USB_HOST_CH3_STS	AS3525_USB_BASE	0x01064	Status Register
USB_HOST_CH3_TXFSIZE	AS3525_USB_BASE	0x01068	TxFIFO Register
USB_HOST_CH3_REQ	AS3525_USB_BASE	0x0106c	Request Register
USB_HOST_CH3_PER_INFO	AS3525_USB_BASE	0x01070	Periodic/Split Transaction Information Register
USB_HOST_CH3_DESC_PTR	AS3525_USB_BASE	0x01074	Data Descriptor Pointer
USB_HOST_CH3_STS_MASK	AS3525_USB_BASE	0x01078	Status Mask Register
USB_HOST_CFG	AS3525_USB_BASE	0x01400	Host Configuration Register
USB_HOST_CTRL	AS3525_USB_BASE	0x01404	Host Control Register
USB_HOST_INTR	AS3525_USB_BASE	0x0140c	Host Interrupt Register
USB_HOST_INTR_MASK	AS3525_USB_BASE	0x01410	Host Interrupt Mask Register
USB_HOST_CH_INTR	AS3525_USB_BASE	0x01414	Host Channel Interrupt Register
USB_HOST_CH_INTR_MASK	AS3525_USB_BASE	0x01418	Host Channel Interrupt Mask Register
USB_HOST_FRAME_INT	AS3525_USB_BASE	0x0141c	Host Frame Interval Register
USB_HOST_FRAME_REM	AS3525_USB_BASE	0x01420	Host Frame Remaining Register
USB_HOST_FRAME_NUM	AS3525_USB_BASE	0x01424	Host Frame Number Register
USB_HOST_PORT0_CTRL_STS	AS3525_USB_BASE	0x01500	Host Port and Status Register
USB_OTG_CSR	AS3525_USB_BASE	0x02000	OTG Control and Status Register
USB_I2C_CSR	AS3525_USB_BASE	0x02004	I2C Access Register
USB_GPIO_CSR	AS3525_USB_BASE	0x02008	General Purpose Input/Output Register
USB_SNPSID_CSR	AS3525_USB_BASE	0x0200c	Synopsys ID Register
USB_USERID_CSR	AS3525_USB_BASE	0x02010	User ID Register
USB_USER_CONF1	AS3525_USB_BASE	0x02014	User Config1 Register
USB_USER_CONF2	AS3525_USB_BASE	0x02018	User Config2 Register
USB_USER_CONF3	AS3525_USB_BASE	0x0201c	User Config3 Register
USB_USER_CONF4	AS3525_USB_BASE	0x02020	User Config4 Register
USB_USER_CONF5	AS3525_USB_BASE	0x02024	User Config5 Register

7.2.8 Memory Stick / Memory Stick Pro Interface

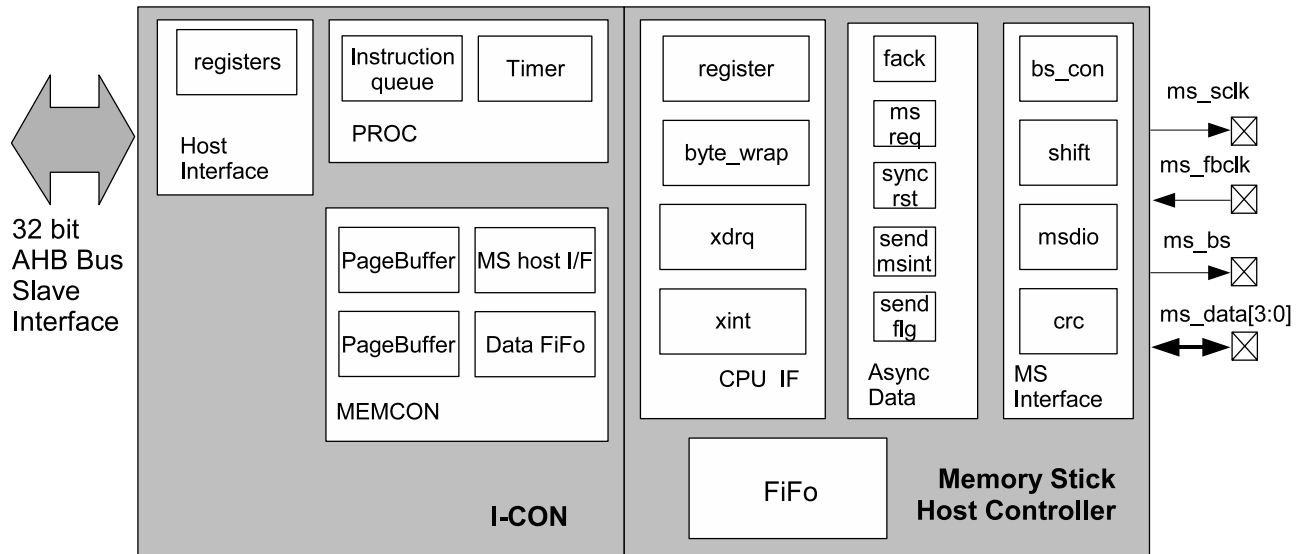
The Sony memory stick interface is an AHB bus slave device. This interface conforms to following standards:

- Memory Stick Standard Format Specifications version 1.4-00
- Memory Stick PRO Format Specifications version 1.00-01

7.2.8.1 Block Diagram

The memory stick interface contains two main blocks, the ICON and the host controller.

Figure 14 SONY memory stick interface block diagram



7.2.8.2 I-CON

This IP is Memory Stick / Memory Stick PRO Host Controller automatic control IP with a 32-bit CPU interface. This IP automatically controls the series of TPC-based communication with the Memory Stick in place of the CPU, and aims to reduce the burden on the Host CPU.

The contents of communication with the Memory Stick are designated in this IP by micro codes.

Features

- 32-bit CPU interface
- Inside controller specified by microcodes
- Buffer for two-way data transmission loaded (256 byte x 2)
- 32/16 bit access available
- DMA support
- General-purpose data transmit/receive FIFO (12 Bytes)

7.2.8.3 Host Controller

Features

- Memory Stick and Memory Stick PRO support
- FiFo memory (64 bits x 4) for two-way data transmission
- Built-in CRC circuit
- Memory Stick serial clock (Serial: 20 MHz (max.), Parallel: 40 MHz (max.))
- DMA support
- 16/32/64-bit access possible

7.2.8.4 Functional description

Communication with the Memory Stick

The communication protocol with the Memory Stick is started by write from the CPU to the command register. When the protocol finishes, the CPU is notified that the protocol has ended by an interrupt request.

Data transfer request

When the protocol is started and enters the data transfer state, data is requested by issuing a DMA transfer request or an interrupt request to the CPU. Data can also be requested to an external memory.

Memory Stick communication time out

The RDY time out time when the handshake state (read protocol: BS2, write protocol: BS3) is established in communication with the Memory Stick can be designated as the number of Memory Stick transfer clocks. When a time out occurs, the CPU is notified that the protocol has ended due to a time out error by an interrupt request.

CRC off

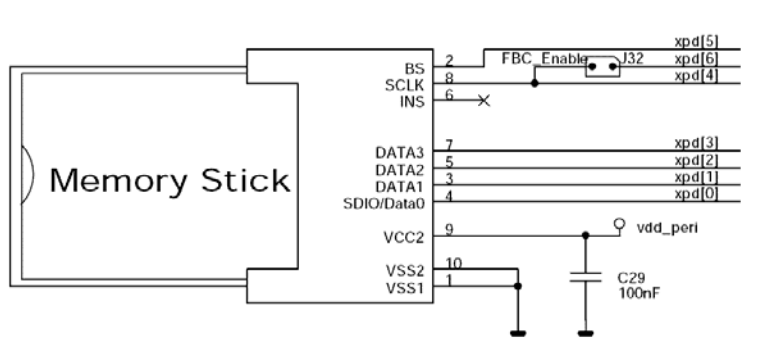
CRC off can be set as a test mode.

When CRC off is set, CRC is not added to the data transmitted to the Memory Stick.

PAD cells

The connections to the MemoryStick Interface are shared with the General Purpose I/O port-D (GPIO xpd[0:7]).

Figure 15 external memory stick connection



7.3 APB Peripheral Block

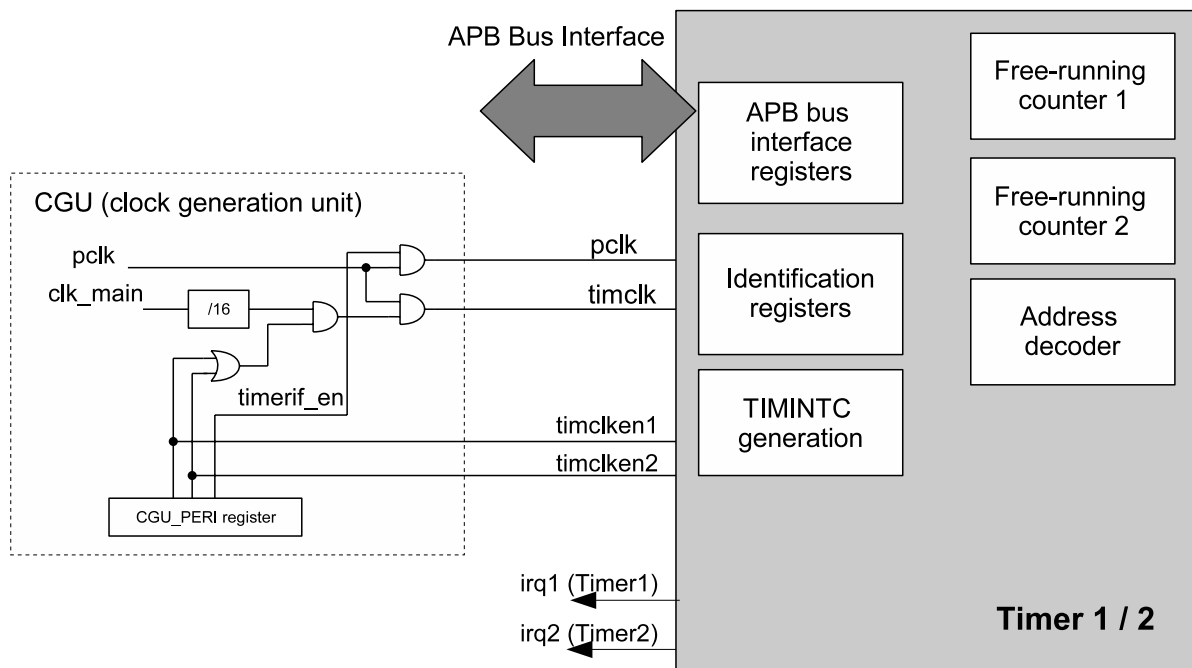
7.3.1 Timers

The Dual Input Timers module is an APB slave that provides access to two interrupt-generating, programmable 32-bit free-running decrementing counters (FRCs). The system clock (PCLK) is used to control the programmable registers, and the second clock input is used to drive the counter, enabling the counters to run from a much slower clock than the system clock. This input clock of the counters (TIMCLK) is connected to a clock derived (divided by 16) from the main clock (clk_main) signal. That clock clk_main is always running and is coming from the internal or external oscillator (set by clk_sel pad).

7.3.1.1 Timer modes

- Free-running mode: the counter wraps after zero and continues at the maximum value. This is the default mode.
- Periodic mode: reload of original value after wrapping past zero.
- One-shot mode - interrupt is generated once, counter halts after reaching zero

Figure 16 Timer Block Diagram



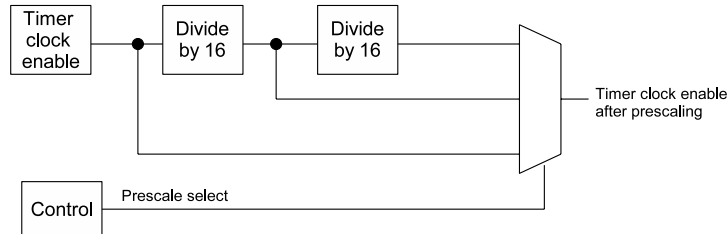
Each timer has an identical set of registers shown in table Table 18. The operation of each timer is identical. The timer is loaded by writing to the load register and, if enabled, counts down to zero. When a counter is already running, writing to the load register will cause the counter to immediately restart at the new value. Writing to the background load value has no effect on the current count. The counter continues to decrement to zero, and then recommences from the new load value (if in periodic mode, and one shot mode is not selected).

When zero is reached, an interrupt is generated. The interrupt can be cleared by writing to the clear register. If One Shot Mode is selected, the counter halts on reaching zero. One Shot Mode is deselected, or a new load value is written. Otherwise, after reaching a zero count, if the timer is operating in free-running mode it continues to decrement from its maximum value. If periodic timer mode is selected, the timer reloads the count value from the load register and continues to decrement. In this mode the counter effectively generates a periodic interrupt. The mode is selected by a bit in the timer control register. At any point, the current counter value can be read from the value register. The counter is enabled by a bit in the control register. At reset, the counter is disabled, the interrupt is cleared, and the load register is set to zero. The mode and prescale values are set to free-running, and clock divide of 1 respectively.

The timer clock enable is generated by a prescale unit. The enable is then used by the counter to create a clock with a timing of one of the following.

- The system clock
- The system clock divided by 16, generated by 4 bits of prescale
- The system clock divided by 256, generated by a total of 8 bits of prescale

Figure 17 - timer prescaler



7.3.1.2 Interrupt generation

An interrupt is generated when the full 32-bit counter reaches zero, and is only cleared when the TimerXClear location is written to. A register holds the value until the interrupt is cleared. The most significant carry bit of the counter detects the counter reaching zero.

Interrupts can be masked by writing 0 to the interrupt enable bit in the control register. Both the raw interrupt status (prior to masking) and the final interrupt status (after masking) can be read from status registers.

Timer 1 interrupt output is connected to interrupt input line irq1 (VIC input) and Timer 2 interrupt output is connected to interrupt line irq2.

7.3.1.3 Timer Register Descriptions

Table 18 – Timer 1 and 2 registers

Register Name	Base Address	Offset	Note
Timer1Load	AS3525_TIMER_BASE	0x00	load value for Timer 1
Timer1Value	AS3525_TIMER_BASE	0x04	current value for Timer 1
Timer1Control	AS3525_TIMER_BASE	0x08	Timer 1 control register
Timer1IntClr	AS3525_TIMER_BASE	0x0C	Timer 1 interrupt clear
Timer1RIS	AS3525_TIMER_BASE	0x10	Timer 1 raw interrupt status
Timer1MIS	AS3525_TIMER_BASE	0x14	Timer 1 masked interrupt status
Timer1BGLoad	AS3525_TIMER_BASE	0x18	Timer 1 background load value
Timer2Load	AS3525_TIMER_BASE	0x20	load value for Timer 2
Timer2Value	AS3525_TIMER_BASE	0x24	current value for Timer 2
Timer2Control	AS3525_TIMER_BASE	0x28	Timer 2 control register
Timer2IntClr	AS3525_TIMER_BASE	0x2C	Timer 2 interrupt clear
Timer2RIS	AS3525_TIMER_BASE	0x30	Timer 2 raw interrupt status
Timer2MIS	AS3525_TIMER_BASE	0x34	Timer 2 masked interrupt status
Timer2BGLoad	AS3525_TIMER_BASE	0x38	Timer 2 background load value
Periheral ID register bits 7:0	AS3525_TIMER_BASE	0xFE0	Peripheral ID register bits 7:0
Periheral ID register bits 15:8	AS3525_TIMER_BASE	0xFE4	Peripheral ID register bits 15:8
Periheral ID register bits 23:16	AS3525_TIMER_BASE	0xFE8	Peripheral ID register bits 23:16
Periheral ID register bits 31:24	AS3525_TIMER_BASE	0xFEC	Peripheral ID register bits 31:24
Primecell ID register bits 7:0	AS3525_TIMER_BASE	0xFF0	Primecell ID register bits 7:0
Primecell ID register bits 15:8	AS3525_TIMER_BASE	0xFF4	Primecell ID register bits 15:8
Primecell ID register bits 23:16	AS3525_TIMER_BASE	0xFF8	Primecell ID register bits 23:16
Primecell ID register bits 31:24	AS3525_TIMER_BASE	0xFFC	Primecell ID register bits 31:24

Load register, Timer1Load, Timer2Load

This is a 32-bit register containing the value from which the counter is to decrement. This is the value used to reload the counter when periodic mode is enabled, and the current count reaches zero.

When this register is written to directly, the current count is immediately reset to the new value at the next rising edge of TIMCLK which is enabled by TIMCLKEN.

The value in this register is also overwritten if the TimerXBGLoad register is written to, but the current count is not immediately affected.

If values are written to both the timerXLoad and TimerXBGLoad registers before an enabled rising edge on TIMCLK, the following occurs:

- On the next enabled TIMCLK edge the value written to the TimerXLoad value replaces the current count value
- Following this, each time the counter reaches zero, the current count value is reset to the value written to TimerXBGLoad.

Reading from the TimerXLoad register at any time after the two writes have occurred will retrieve the value written to TimerXBGLoad. That is, the value read from TimerXLoad is always the value which will take effect for periodic mode after the next time the counter reaches zero.

Current value register, Timer1Value, Timer2Value

This register gives the current value of the decrementing counter.

Timer control register

Table 19 Timer control register

Name		Base		Default
Timer1Control, Timer2Control		AS3525_TIMER_BASE		0x20
Offset: 0x08, 0x28		Timer Control Register		
Contains control bits of the PLLA register.				
Bit	Bit Name	Default	Access	Bit Description
7	Timer Enable	0	R/W	Enable bit: 0: timer disabled (default) 1: timer enabled
6	Timer Mode	0	R/W	Mode bit 0: timer is in free-running mode (default) 1: timer is in periodic mode
5	Interrupt Enable	1	R/W	Interrupt enable bit 0: timer interrupt disabled 1: timer interrupt enabled (default)
4	RESERVED			Reserved bit, do not modify, and ignore on read
3:2	TimerPre	00	R/W	Prescale bits: 00: no prescale, clock is divided by 1 (default) 01: 4 stages of prescale, clock is divided by 16 10: 8 stages of prescale, clock is divided by 256 11: undefined, do not use
1	Timer Size	0	R/W	Selects 16/32 bit counter operation 0: 16 bit counter (default) 1: 32 bit counter
0	OneShotCount	0	R/W	Selects one-shot or wrapping counter mode 0: wrapping mode (default) 1: one-shot mode

Interrupt clear register, Timer1IntClr, Timer2IntClr

Any write to this register will clear the interrupt output from the counter

Raw Interrupt status register, Timer1RIS, Timer2RIS

This register indicates the raw interrupt status from the counter. This value is ANDed with the timer interrupt enable bit from the control register to create the masked interrupt, which is passed to the interrupt output pin.

Table 20 raw interrupt status register

Name		Base		Default
Timer1RIS, Timer2RIS		AS3525_TIMER_BASE		
Offset: 0x10, 0x30		Timer raw interrupt status register		
		Contains control bits of the PLLA register.		
Bit	Bit Name	Default	Access	Bit Description
0	Raw Timer Interrupt		R	Raw interrupt status from the counter

Interrupt status register, TIMERXMIS

This register indicates the masked interrupt status from the counter. This value is the logical AND of the raw interrupt status with the timer interrupt enable bit from the control register, and is the same value which is passed to the interrupt output pin.

Table 21 interrupt status register

Name		Base		Default
Timer1MIS, Timer2MIS		AS3525_TIMER_BASE		
Offset: 0x10, 0x30		Timer raw interrupt status register		
		Contains control bits of the PLLA register.		
Bit	Bit Name	Default	Access	Bit Description
0	Raw Timer Interrupt		R	Raw interrupt status from the counter

Background load register, TimerXBGLoad

This is a 32 bit register containing the value from which the counter is to decrement. This is the value used to reload the counter when periodic mode is enabled, and the current count reaches zero.

This register provides an alternative method of accessing the TimerXLoad register. The difference is that writes to TimerXBGLoad will not cause the counter immediately to restart from the new value.

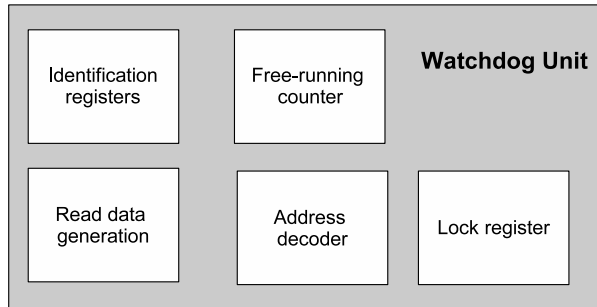
Reading from this register returns the same value returned from TimerXLoad.

7.3.2 Watchdog Unit

The watchdog unit provides a way of recovering from software crashes. The watchdog clock is used to generate a regular interrupt (WDOGINT), depending on a programmed value. The watchdog monitors the interrupt and asserts a reset signal (WDOGRES) if the interrupt remains unserved for the entire programmed period. You can enable or disable the watchdog unit as required.

Clock reference for the watchdog is PCLK divided by 256.

Figure 18 watchdog unit



7.3.2.1 Watchdog register descriptions

Table 22 Watchdog Registers

Register Name	Base Address	Offset	Note
WDT_LOAD	AS3525_WDT_BASE	0x00	load register
WDT_VALUE	AS3525_WDT_BASE	0x04	counter current value
WDT_CONTROL	AS3525_WDT_BASE	0x08	control register
WDT_INTCLR	AS3525_WDT_BASE	0x0C	Interrupt clear register
WDT_RIS	AS3525_WDT_BASE	0x10	Raw interrupt status register
WDT_MIS	AS3525_WDT_BASE	0x14	Masked interrupt status register
WDT_LOCK	AS3525_WDT_BASE	0xC00	Lock register
WDT_PERIPHID0	AS3525_WDT_BASE	0xFE0	Watchdog peripheral ID 0 register
WDT_PERIPHID1	AS3525_WDT_BASE	0xFE4	Watchdog peripheral ID 1 register
WDT_PERIPHID2	AS3525_WDT_BASE	0xFE8	Watchdog peripheral ID 2 register
WDT_PERIPHID3	AS3525_WDT_BASE	0xFEC	Watchdog peripheral ID 3 register
WDT_PCELLID0	AS3525_WDT_BASE	0xFF0	Watchdog primecell ID 0 register
WDT_PCELLID1	AS3525_WDT_BASE	0xFF4	Watchdog primecell ID 1 register
WDT_PCELLID2	AS3525_WDT_BASE	0xFF8	Watchdog primecell ID 2 register
WDT_PCELLID3	AS3525_WDT_BASE	0xFFC	Watchdog primecell ID 3 register

Watchdog load register, WdogLoad

This is a 32-bit register containing the value from which the counter is to decrement. When this register is written to, the count is immediately restarted from the new value. The minimum valid value for WdogLoad is one.

Watchdog control register, WdogControl

This is a read/write register that enables the software to control the watchdog unit.

Table 23 watchdog control register

Name		Base		Default
WdogControl		AS3525_WDT_BASE		0x04
Offset: 0x08		Watchdog Control Register		
Bit	Bit Name	Default	Access	Bit Description
1	RESEN	0	R/W	Enable Watchdog reset output (WDOGRES). Acts as a mask for the reset output. 0: disable the reset 1: enable the reset
0	INTEN	0	R/W	Enable the interrupt event (WDOGINT). 0: disable the counter and interrupt 1: enable the counter and interrupt

Watchdog clear interrupt register, WdogIntClr

A write of any value to this location clears the watchdog interrupt, and reloads the counter from the value in WdogLoad.

Raw interrupt status register, WdogRIS

This register indicates the raw interrupt status from the counter. This value is ANDed with the interrupt enable bit from the control register to create the masked interrupt, which is passed to the interrupt output pin.

Table 24 watchdog raw interrupt status register

Name		Base		Default
WdogRIS		AS3525_WDT_BASE		
Offset: 0x10		Watchdog interrupt status register		
Bit	Bit Name	Default	Access	Bit Description
0	Watchdog Interrupt		R	Enabled interrupt status from the counter

Interrupt status register, WdogMIS

This register indicates the masked interrupt status from the counter. This value is the logical AND of the raw interrupt status with the INTEN bit from the control register, and is the same value which is passed to the interrupt output pin.

Name		Base		Default
WdogMIS		AS3525_WDT_BASE		
Offset: 0x14		Watchdog raw interrupt status register		
Bit	Bit Name	Default	Access	Bit Description
0	Raw Watchdog Interrupt		R	Raw interrupt status from the counter

Table 25 watchdog interrupt status register

Watchdog lock register, WdogLock

Use of this register allows write-access to all other registers to be disabled. This is to prevent rogue software from disabling the watchdog functionality. Writing a value of 0x1ACCE551 will enable write access to all other registers. Writing any other value will disable write accesses. A read from this register will return only the bottom bit:

- 0 indicates that write access is enabled (not locked)
- 1 indicates that write access is disabled (locked)

Table 26 watchdog lock register

Name		Base		Default
WdogLock		AS3525_WDT_BASE		0x00
Offset: 0xC00		Watchdog raw interrupt status register		
Bit	Bit Name	Default	Access	Bit Description
31:0	Enable register writes		W	Enable write access to all other registers by writing 0x1ACCE551. Disable write access by writing any other value.
0	Register write enable status	0	R	0: write access to all other registers is enabled (default) 1: write access to all other registers is disabled

7.3.3 SSP – Synchronous Serial Port

The SSP is a master or slave interface that enables synchronous serial communication with slave or master peripherals having one of the following:

- a Motorola SPI-compatible interface
- a TI synchronous serial interface
- a National Semiconductor MicroWire interface

In both master and slave configurations the SSP performs

- parallel-to-serial conversion on data written to an internal 16-bit wide, 8-location deep transmit FIFO
- serial-to-parallel conversion on received data, buffering it in a similar 16-bit wide, 8 location-deep receive FIFO

Interrupts are generated to:

- request servicing of the transmit and receive FIFO
- inform the system that a receive FIFO overrun has occurred
- inform the system that data is present in the receive FIFO after an idle period has expired

SSP Features:

- compliant to AMBA Rev 2.0
- master or slave operation
- programmable clock bit rate and prescale
- separate receive and transmit memory buffers each 16 bits wide and 8 bits deep
- programmable data frame size from 4 to 16 bit
- independent masking of receive FIFO, transmit FIFO and receive overrun interrupts
- internal loopback testmode available
- support for DMA
- identification register uniquely identifying the PrimeCell™ itself (support for OS)

SPI features:

- full-duplex, four wire synchronous transfer
- programmable clock polarity and phase

MicroWire features:

- half duplex transfer using 8 bit control message

Texas Instruments SSI features:

- full-duplex, four wire synchronous transfer
- transmit data PIN tristateable when not transmitting

Programmable parameters:

- master or slave mode
- enabling of operation
- frame format
- communication baud rate
- clock phase and polarity
- data width from 4 to 16 bit
- interrupt masking

Figure 19 Serial Synchronous Port Block Diagram

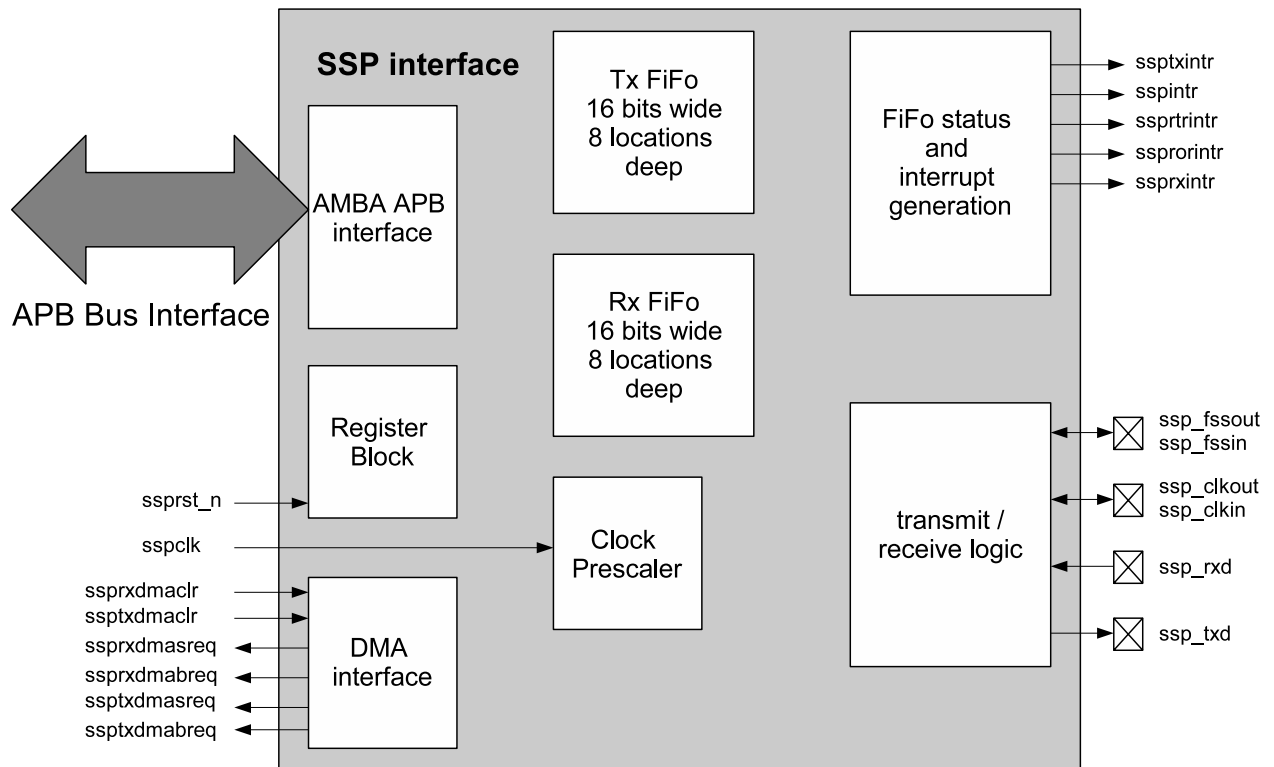


Table 27 SSP Registers

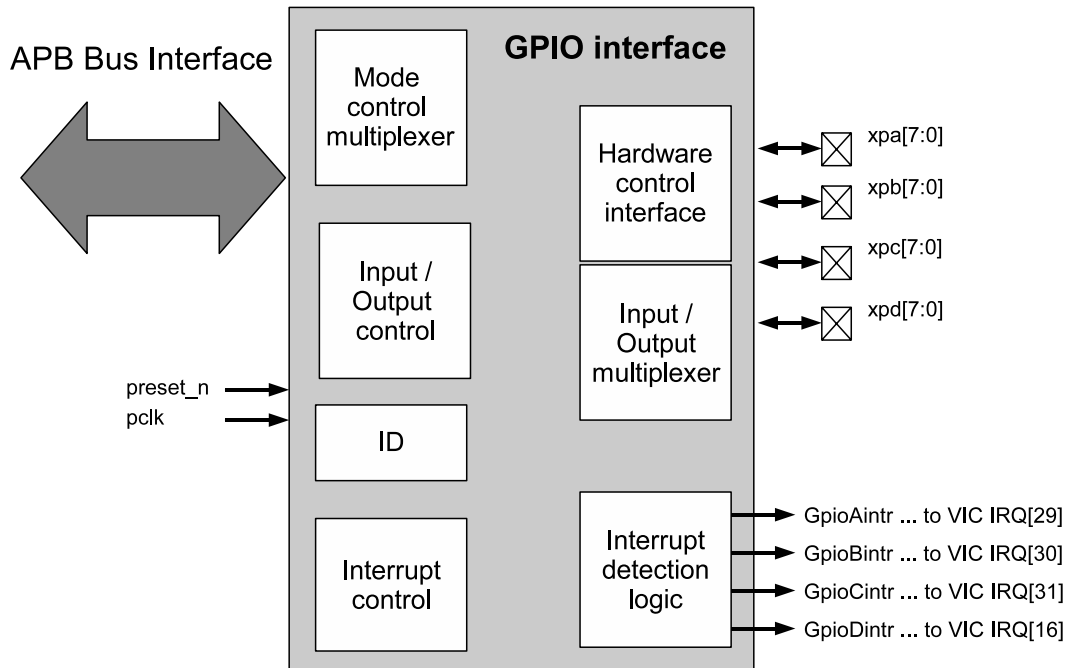
Register Name	Base Address	Offset	Note
SPI_SSPCR0	SSP_BASE	0x00	CR0 control register
SPI_SSPCR1	SSP_BASE	0x04	CR1 control register
SPI_SSPRXD	SSP_BASE	0x08	Read Data Register
SPI_SSPTXD	SSP_BASE	0x08	Write Data register
SPI_SSPSR	SSP_BASE	0x0C	SSP status register
SPI_SSPCPSR	SSP_BASE	0x10	SSP Pre-scaler register
SPI_SSPIMSC	SSP_BASE	0x14	SSP Interrupt Mask and clear register
SPI_SSPIRS	SSP_BASE	0x18	SSP Raw interrupt status register
SPI_SSPMIS	SSP_BASE	0x1C	SSP Masked interrupt status register
SPI_SSPICR	SSP_BASE	0x20	SSP interrupt clear register
SPI_SSPDMACR	SSP_BASE	0x24	SSP DMA control register

7.3.4 GPIO - General purpose input/output ports

The ARM PrimeCell™ PL061 “General Purpose Input/Output” is included in the APB system.

- compliant to AMBA Rev 2.0
- each port has eight individually programmable input/output pins, default to input at reset
- four ports A, B, C, D are included
- programmable interrupt generation capability, from a transition or level condition, on any number of PINs
- hardware control capability of GPIO's for different system configurations.
- bit masking in both read and write operations through address lines

Figure 20 GPIO Block Diagram



7.3.4.1 GPIO register descriptions

Table 28: GPIO Registers

Register Name	Base Address	Offset	Note
GPIO1_DATA	AS3525_GPIO1_BASE	0x000	GPIO data register
GPIO1_DIR	AS3525_GPIO1_BASE	0x400	GPIO data direction register
GPIO1_IS	AS3525_GPIO1_BASE	0x404	GPIO interrupt sense register
GPIO1_IBE	AS3525_GPIO1_BASE	0x408	GPIO interrupt both edges register
GPIO1_IEV	AS3525_GPIO1_BASE	0x40C	GPIO interrupt event register
GPIO1_IE	AS3525_GPIO1_BASE	0x410	GPIO interrupt mask register
GPIO1_RIS	AS3525_GPIO1_BASE	0x414	GPIO raw interrupt status
GPIO1_MIS	AS3525_GPIO1_BASE	0x418	GPIO masked interrupt status
GPIO1_IC	AS3525_GPIO1_BASE	0x41C	GPIO interrupt clear
GPIO1_AFSEL	AS3525_GPIO1_BASE	0x420	GPIO mode control select
GPIO2_DATA	AS3525_GPIO2_BASE	0x000	GPIO data register
GPIO2_DIR	AS3525_GPIO2_BASE	0x400	GPIO data direction register
GPIO2_IS	AS3525_GPIO2_BASE	0x404	GPIO interrupt sense register
GPIO2_IBE	AS3525_GPIO2_BASE	0x408	GPIO interrupt both edges register
GPIO2_IEV	AS3525_GPIO2_BASE	0x40C	GPIO interrupt event register
GPIO2_IE	AS3525_GPIO2_BASE	0x410	GPIO interrupt mask register
GPIO2_RIS	AS3525_GPIO2_BASE	0x414	GPIO raw interrupt status
GPIO2_MIS	AS3525_GPIO2_BASE	0x418	GPIO masked interrupt status
GPIO2_IC	AS3525_GPIO2_BASE	0x41C	GPIO interrupt clear
GPIO2_AFSEL	AS3525_GPIO2_BASE	0x420	GPIO mode control select
GPIO3_DATA	AS3525_GPIO3_BASE	0x000	GPIO data register
GPIO3_DIR	AS3525_GPIO3_BASE	0x400	GPIO data direction register
GPIO3_IS	AS3525_GPIO3_BASE	0x404	GPIO interrupt sense register
GPIO3_IBE	AS3525_GPIO3_BASE	0x408	GPIO interrupt both edges register
GPIO3_IEV	AS3525_GPIO3_BASE	0x40C	GPIO interrupt event register
GPIO3_IE	AS3525_GPIO3_BASE	0x410	GPIO interrupt mask register
GPIO3_RIS	AS3525_GPIO3_BASE	0x414	GPIO raw interrupt status
GPIO3_MIS	AS3525_GPIO3_BASE	0x418	GPIO masked interrupt status
GPIO3_IC	AS3525_GPIO3_BASE	0x41C	GPIO interrupt clear
GPIO3_AFSEL	AS3525_GPIO3_BASE	0x420	GPIO mode control select
GPIO4_DATA	AS3525_GPIO4_BASE	0x000	GPIO data register
GPIO4_DIR	AS3525_GPIO4_BASE	0x400	GPIO data direction register
GPIO4_IS	AS3525_GPIO4_BASE	0x404	GPIO interrupt sense register
GPIO4_IBE	AS3525_GPIO4_BASE	0x408	GPIO interrupt both edges register
GPIO4_IEV	AS3525_GPIO4_BASE	0x40C	GPIO interrupt event register
GPIO4_IE	AS3525_GPIO4_BASE	0x410	GPIO interrupt mask register
GPIO4_RIS	AS3525_GPIO4_BASE	0x414	GPIO raw interrupt status
GPIO4_MIS	AS3525_GPIO4_BASE	0x418	GPIO masked interrupt status
GPIO4_IC	AS3525_GPIO4_BASE	0x41C	GPIO interrupt clear
GPIO4_AFSEL	AS3525_GPIO4_BASE	0x420	GPIO mode control select

GPIO data register

Table 29 GPIO data register

Name		Base		Default
GPIO1_DATA		AS3525_GPIO1_BASE		0xC80B0000
GPIO2_DATA		AS3525_GPIO2_BASE		0xC80C0000
GPIO3_DATA		AS3525_GPIO3_BASE		0xC80D0000
GPIO4_DATA		AS3525_GPIO4_BASE		0xC80E0000
Offset: 0x000		GPIO data register		
		<p>In software control mode (GPIO1_AFSEL,...), values written in this register are transferred onto the GPOUT pins if the respective pins have been configured as outputs through the GPIO1_DIR,</p> <p>So that GPIO bits can be set without affect to other pins in a single write operation, the address bus is used as a mask on read/write operation. The data register covers 256 locations in the address space. The eight address lines used are PADDR[9:2]. During a write, only GPIO1_DATA,... bits corresponding to HIGH address bits are updated. During a read all data bits corresponding to HIGH address bits are read, the other bits are zero.</p> <p>A read from this register returns the last bit value written if the respective pins are configured as output, or it returns the value on the corresponding input GPIN bit when these are configured as inputs. All bits are cleared by a reset.</p>		
Bit	Bit Name	Default	Access	Bit Description
7:0	GPIO data register	00000000	RW	Input data, output data.

GPIO data direction register

Table 30 GPIO data direction register

Name		Base		Default
GPIO1_DIR		AS3525_GPIO1_BASE		0xC80B0000
GPIO2_DIR		AS3525_GPIO2_BASE		0xC80C0000
GPIO3_DIR		AS3525_GPIO3_BASE		0xC80D0000
GPIO4_DIR		AS3525_GPIO4_BASE		0xC80E0000
Offset: 0x400		GPIO data direction register		
		<p>Bits set to HIGH configure corresponding pin to be an output. Clearing a bit configures the pin to be input. All bits are cleared by a reset.</p>		
Bit	Bit Name	Default	Access	Bit Description
7:0	GPIO data direction register	00000000	RW	0: pins input 1: pins output

GPIO interrupt sense register

Table 31 GPIO interrupt sense register

Name		Base		Default
GPIO1_IS		AS3525_GPIO1_BASE		0xC80B0000
GPIO2_IS		AS3525_GPIO2_BASE		0xC80C0000
GPIO3_IS		AS3525_GPIO3_BASE		0xC80D0000
GPIO4_IS		AS3525_GPIO4_BASE		0xC80E0000
Offset: 0x404		GPIO interrupt sense register		
		Bits set to HIGH configure the corresponding pins to detect levels. Clearing a bit configures the pin to detect edges. All bits are cleared by a reset.		
Bit	Bit Name	Default	Access	Bit Description
7:0	GPIO interrupt sense register	00000000	RW	0: edge on corresponding pin is detected 1: level on corresponding pin is detected

GPIO interrupt both edges register

Table 32 GPIO interrupt both edges register

Name		Base		Default
GPIO1_IBE		AS3525_GPIO1_BASE		0xC80B0000
GPIO2_IBE		AS3525_GPIO2_BASE		0xC80C0000
GPIO3_IBE		AS3525_GPIO3_BASE		0xC80D0000
GPIO4_IBE		AS3525_GPIO4_BASE		0xC80E0000
Offset: 0x408		GPIO interrupt both edges register		
		When the corresponding bit in GPIO interrupt sense register (GPIO1_IS, ...) is set to detect edges, bits set to HIGH in GPIO interrupt both edges register (GPIO1_IBE, ...) configure the corresponding pin to detect both rising and falling edges, regardless of the corresponding bit in the GPIO interrupt event register (GPIO1_IEV, ...). Clearing a bit configures the pin to be controlled by GPIO interrupt event register (GPIO1_IEV, ...). All bits are cleared by a reset.		
Bit	Bit Name	Default	Access	Bit Description
7:0	GPIO interrupt event register	00000000	RW	0: on corresponding pin interrupt generation event is controlled by GPIO interrupt event register (GPIO1_IEV, ...). 1: both edges on corresponding pin trigger an interrupt. Single edge determined by corresponding bit in GPIO interrupt event register (GPIO1_IEV, ...).

GPIO interrupt event register

Table 33 GPIO interrupt event register

Name		Base		Default
GPIO1_I_EV		AS3525_GPIO1_BASE		0xC80B0000
GPIO2_I_EV		AS3525_GPIO2_BASE		0xC80C0000
GPIO3_I_EV		AS3525_GPIO3_BASE		0xC80D0000
GPIO4_I_EV		AS3525_GPIO4_BASE		0xC80E0000
Offset: 0x40C		GPIO interrupt event register		
		Bits set to HIGH configure the corresponding pin to detect rising edges or high levels, depending on the corresponding bit value in GPIO interrupt sense register (GPIO1_IS, ...). Clearing a bit configures the pin to detect falling edges or low levels, depending on the corresponding bit value in GPIO interrupt sense register (GPIO1_IS, ...). All bits are cleared by a reset.		
Bit	Bit Name	Default	Access	Bit Description
7:0	GPIO interrupt event register	00000000	RW	0: falling edges, or low levels on corresponding pin trigger interrupts. 1: rising edges, or high levels on corresponding pin trigger interrupts.

GPIO interrupt mask register

Table 34 GPIO interrupt mask register

Name		Base		Default
GPIO1_IE		AS3525_GPIO1_BASE		0xC80B0000
GPIO2_IE		AS3525_GPIO2_BASE		0xC80C0000
GPIO3_IE		AS3525_GPIO3_BASE		0xC80D0000
GPIO4_IE		AS3525_GPIO4_BASE		0xC80E0000
Offset: 0x410		GPIO interrupt mask register		
		Bits set to HIGH allow the corresponding pins to trigger their individual interrupts and the combined GPIOINTR line. Clearing a bit disables interrupt triggering on that pin. All bits are cleared by a reset.		
Bit	Bit Name	Default	Access	Bit Description
7:0	GPIO interrupt mask register	00000000	RW	0: corresponding pin interrupt is masked. 1: corresponding pin interrupt is not masked.

GPIO raw interrupt status register

Table 35 GPIO raw interrupt status register

Name		Base		Default
GPIO1_RIS		AS3525_GPIO1_BASE		0xC80B0000
GPIO2_RIS		AS3525_GPIO2_BASE		0xC80C0000
GPIO3_RIS		AS3525_GPIO3_BASE		0xC80D0000
GPIO4_RIS		AS3525_GPIO4_BASE		0xC80E0000
Offset: 0x414		GPIO raw interrupt status register		
		Bits read HIGH reflect the status of interrupts trigger conditions detected (raw, prior to masking), indicating that all the requirements have been met, before they are finally allowed to trigger by GPIO interrupt mask register (GPIO1_IE, ...). Bits read as LOW indicate that corresponding input pins have not initiated an interrupt. This register is read only, its bits are cleared by a reset.		
Bit	Bit Name	Default	Access	Bit Description
7:0	GPIO raw interrupt status register	00000000	R	Reflect the status of interrupts trigger conditions detection on pins (raw, prior to masking). 0: requirements not met on corresponding pins. 1: requirements met by corresponding pins.

GPIO masked interrupt status register

Table 36 GPIO masked interrupt status register

Name		Base		Default
GPIO1_MIS		AS3525_GPIO1_BASE		0xC80B0000
GPIO2_MIS		AS3525_GPIO2_BASE		0xC80C0000
GPIO3_MIS		AS3525_GPIO3_BASE		0xC80D0000
GPIO4_MIS		AS3525_GPIO4_BASE		0xC80E0000
Offset: 0x418		GPIO masked interrupt status register		
		Bits read HIGH reflect the status of input lines triggering an interrupt. Bits read as LOW indicate that either no interrupt has been generated, or the interrupt is masked. This register shows the state of the interrupt after masking. This register is read-only. All bits are cleared by a reset. The contents of this register are made available externally through the intra-chip (or on-chip) GPIO1_MIS, ... signals.		
Bit	Bit Name	Default	Access	Bit Description
7:0	GPIO masked interrupt status register	00000000	R	Masked value of interrupt due to corresponding pin. 0: PrimeCell GPIO line interrupt not active. 1: PrimeCell GPIO line asserting interrupt.

GPIO interrupt clear register

Table 37 GPIO interrupt clear register

Name		Base		Default
GPIO1_IC		AS3525_GPIO1_BASE		0xC80B0000
GPIO2_IC		AS3525_GPIO2_BASE		0xC80C0000
GPIO3_IC		AS3525_GPIO3_BASE		0xC80D0000
GPIO4_IC		AS3525_GPIO4_BASE		0xC80E0000
Offset: 0x41C		GPIO interrupt clear register		
		Setting a bit to HIGH in this register clears the corresponding interrupt edge detection logic register. Setting a bit to LOW in this register has no effect. This register is write-only. All bits are cleared by a reset.		
Bit	Bit Name	Default	Access	Bit Description
7:0	GPIO interrupt clear register	00000000	W	0: has no effect. 1: clears edge detection logic.

GPIO mode control select register

Table 38 GPIO2, GPIO3 mode control select register

Name		Base		Default
GPIO2_AFSEL		AS3525_GPIO2_BASE		0xC80C0000
GPIO3_AFSEL		AS3525_GPIO3_BASE		0xC80D0000
Offset: 0x420		GPIO mode control select register		
		Setting a bit to HIGH in this register selects DBOP control for the corresponding PrimeCell GPIO line. All bits are cleared by a reset.		
Bit	Bit Name	Default	Access	Bit Description
7:0	GPIO mode control select register	00000000	RW	0: enables software control mode on corresponding pin. Bits 1: enables DBOP control mode on corresponding pin.

Table 39 GPIO1, GPIO4 mode control select register

Name		Base		Default
GPIO1_AFSEL		AS3525_GPIO1_BASE		0xC80B0000
GPIO4_AFSEL		AS3525_GPIO4_BASE		0xC80E0000
Offset: 0x420		GPIO mode control select register		
		Not used. If bit set to HIGH, the corresponding pin will be set to 1.		
Bit	Bit Name	Default	Access	Bit Description
7:0	GPIO mode control select register	00000000	RW	Bits 0: enables software control mode on corresponding pin. Bits 1: corresponding pins set to 1.

7.3.5 MCI – SD / MMC Card Interface

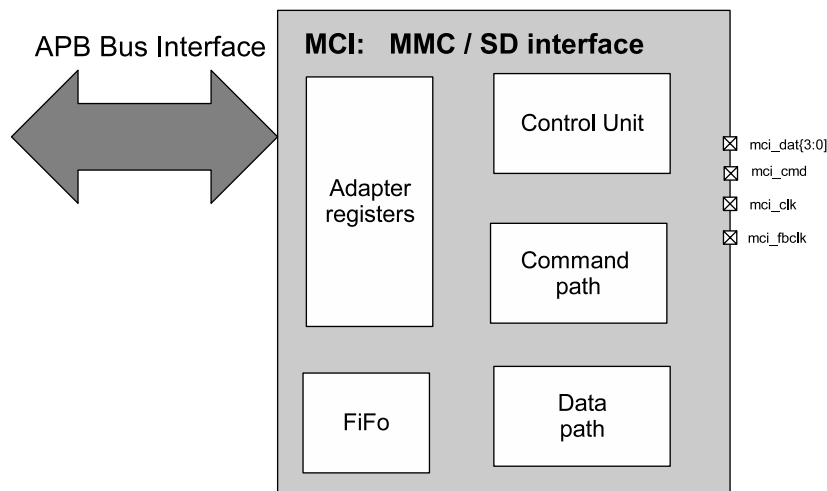
Features

- Conformance to Multimedia Card Specification v2.11
- Conformance to Secure Digital Memory Card Physical Layer Specification, v0.96
- uses multimedia card bus or SD card bus.

The PrimeCell™ MCI provides an interface between the APB system bus and multimedia and/or secure digital memory cards. It consists of two parts:

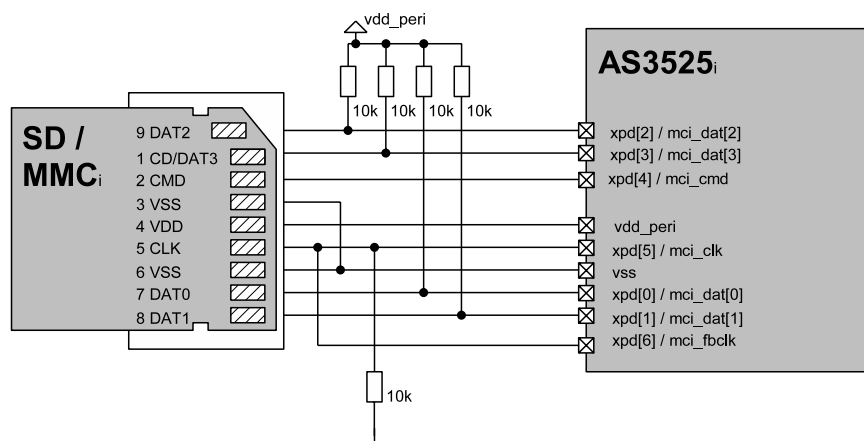
- The PrimeCell™ MCI adapter block includes the clock generation unit, the power management control, command and data transfer
- the APB interface provides access to the MCI adapter registers, and generates interrupt and DMA request signals.

Figure 21 Multimedia Card Interface Block Diagram



The connections to the Multimedia Card Interface are shared with the General Purpose I/O port-D (GPIO xpd[0:7]). Following diagram shows the external circuit elements for connection to a SD card adapter. Note that a feedback clock must be routed back to xpd[6]/mci_fbclk.

Figure 22 Connecting SD / MC to GPIO-D



7.3.6 I2cAudMas - I2C audio master interface

This is the control interface between the digital and the audio-part. The corresponding signal lines are connected inside of the MCM on the BGA substrate. For test purposes of the audio chip only, the signals are available at dedicated balls.

- The key features of this interface block are:
- serial 2-wire I2C bus master
- supports standard (100 kbps) and fast speed (400kbps)
- 7-bit addressing
- sub-addressing
- programmable clock divider
- programmable transfer count
- soft reset bit
- interrupt generation (on RX Full, TX Empty, RX Overrun, no acknowledge received)
- status register
- test register

Figure 23 I2C Audio Master Interface Block Diagram

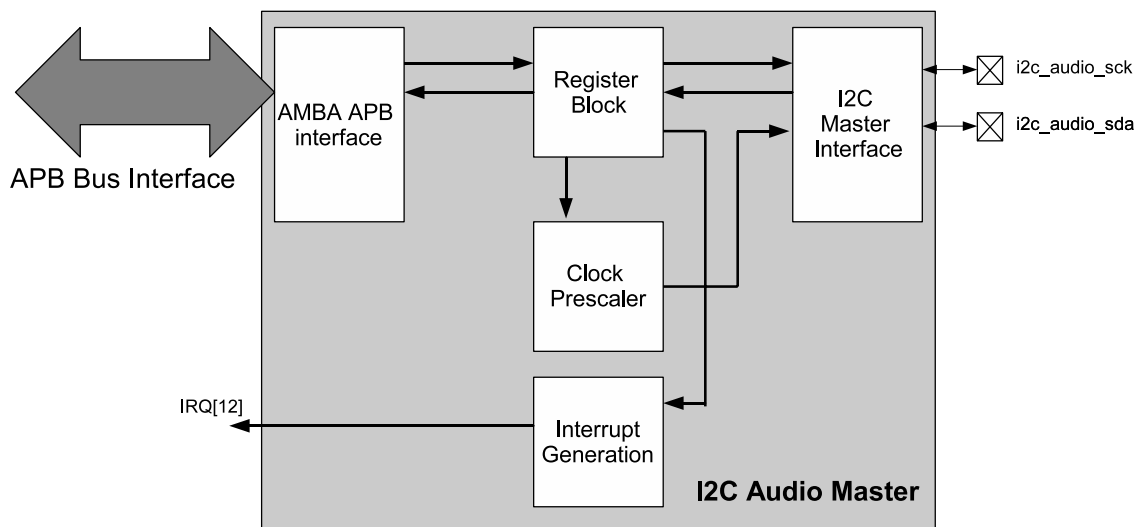


Table 40 I2C Audio Master Registers

Register Name	Base Address	Offset	Note
I2C2_DATA	AS3525_I2C_AUDIO_BASE	0x00	transmit/receive FIFO data register
I2C2_SLAD0	AS3525_I2C_AUDIO_BASE	0x04	slave ID register
I2C2_CNTRL	AS3525_I2C_AUDIO_BASE	0x0C	control register
I2C2_DACNT	AS3525_I2C_AUDIO_BASE	0x10	master data count register
I2C2_CPSR0	AS3525_I2C_AUDIO_BASE	0x1C	clock prescale register 0
I2C2_CPSR1	AS3525_I2C_AUDIO_BASE	0x20	clock prescale register 1
I2C2_IMR	AS3525_I2C_AUDIO_BASE	0x24	interrupt mask register
I2C2_RIS	AS3525_I2C_AUDIO_BASE	0x28	raw interrupt status register
I2C2_MIS	AS3525_I2C_AUDIO_BASE	0x2C	masked interrupt status register
I2C2_SR	AS3525_I2C_AUDIO_BASE	0x30	I2C status register
I2C2_INT_CLR	AS3525_I2C_AUDIO_BASE	0x40	interrupt clear register
I2C2_SADDR	AS3525_I2C_AUDIO_BASE	0x44	sub-address register
I2C2_TESTIN	AS3525_I2C_AUDIO_BASE	0x50	test register (monitors state of SCL and SDA)
I2C2_TESTOUT1	AS3525_I2C_AUDIO_BASE	0x54	test mode register for driving output interrupt
I2C2_TESTOUT2	AS3525_I2C_AUDIO_BASE	0x58	test mode register for driving SCLout, SCLOEn, SDAOUT and SDAOEN signals

7.3.7 I2CMSI - I2C master/slave interface

This is a general control interface for chip-to-chip communication. The corresponding IOs are either used by the general purpose port C (xpc[6:7]) or by this I2C interface.

The features of this interface block are:

- serial 2-wire I2C bus master
- supports standard (100 kbps) and fast speed (400kbps)
- supports multi-master system architecture
- programmable clock divider
- programmable transfer count
- programmable slave wait enable (for slave mode of operation, insertion of wait on the bus)
- soft reset bit
- interrupt generation (on RX Full, TX Empty, RX Overrun, no acknowledge received)
- status register
- test register

Figure 24: I2C Interface

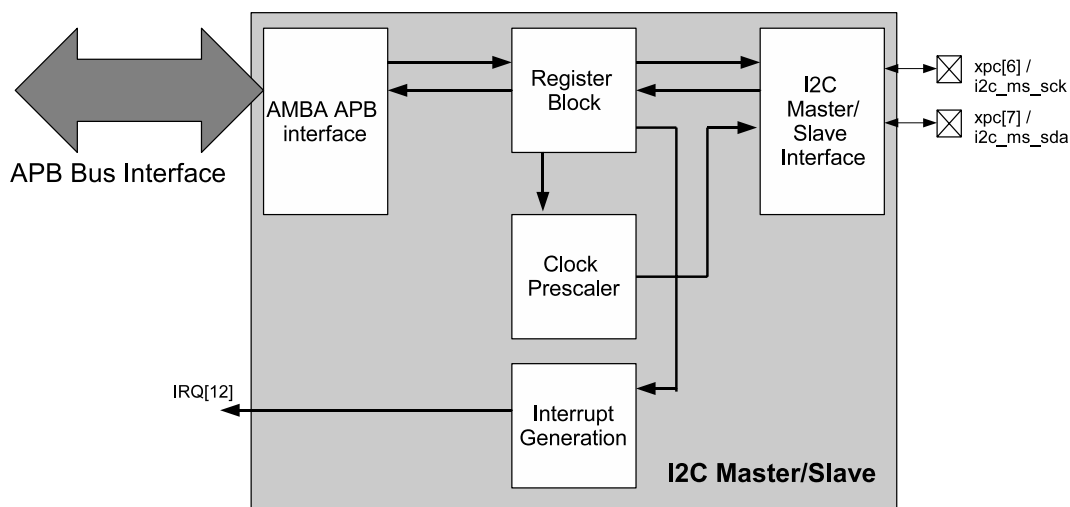


Table 41 I2C Interface Registers

Register Name	Base Address	Offset	Note
I2C1_DATA	AS3525_I2C_MS_BASE	0x00	transmit/receive FIFO data register
I2C1_SLAD0	AS3525_I2C_MS_BASE	0x04	slave ID register 0
I2C1_SLAD1	AS3525_I2C_MS_BASE	0x08	slave ID register 1
I2C1_CNTRL	AS3525_I2C_MS_BASE	0x0C	control register
I2C1_DACNT	AS3525_I2C_MS_BASE	0x10	master data count register
I2C1_SEAD0	AS3525_I2C_MS_BASE	0x14	self ID of slave 0
I2C1_SEAD1	AS3525_I2C_MS_BASE	0x18	self ID of slave 1
I2C1_CPSR0	AS3525_I2C_MS_BASE	0x1C	clock prescale register 0
I2C1_CPSR1	AS3525_I2C_MS_BASE	0x20	clock prescale register 1
I2C1_IMR	AS3525_I2C_MS_BASE	0x24	interrupt mask register
I2C1_RIS	AS3525_I2C_MS_BASE	0x28	raw interrupt status register
I2C1_MIS	AS3525_I2C_MS_BASE	0x2C	masked interrupt status register
I2C1_SR	AS3525_I2C_MS_BASE	0x30	I2C status register
I2C1_TXCNT	AS3525_I2C_MS_BASE	0x34	transmit Fifo data count register
I2C1_RXCNT	AS3525_I2C_MS_BASE	0x38	receive Fifo data count register
I2C1_TX_FLUSH	AS3525_I2C_MS_BASE	0x3C	TX Fifo flush register
I2C1_INT_CLR	AS3525_I2C_MS_BASE	0x40	interrupt clear register
I2C1_TESTIN	AS3525_I2C_MS_BASE	0x50	test register (monitors state of SCL and SDA)
I2C1_TESTOUT1	AS3525_I2C_MS_BASE	0x54	test mode register for driving output interrupt
I2C1_TESTOUT2	AS3525_I2C_MS_BASE	0x58	test mode register for driving SCLout, SCLOEn, SDAOUT and SDAOEN signals

7.3.8 I2SIN - I2S input interface

The I2S input interface module (called I2SINIF module hereafter) is used to connect an external audio source to the processor system. The communication is based on the standardized I2S interface. The interface module connects to the processor system using the AMBA APB bus.

All the input left & right channel data are mapped to either 14 or 24 bit format, selectable within the control register. If the data word length is less than 24 bit, the unused lower bits are set to zero. To reduce the interrupt frequency for the processor, a FIFO buffer is provided. The buffer can hold up to 32 words of 48 bit length (left plus right channel).

Generation of interrupt request signal with several maskable interrupt sources (Pop Full, Pop Empty, Pop Error, Push Error, ...etc)

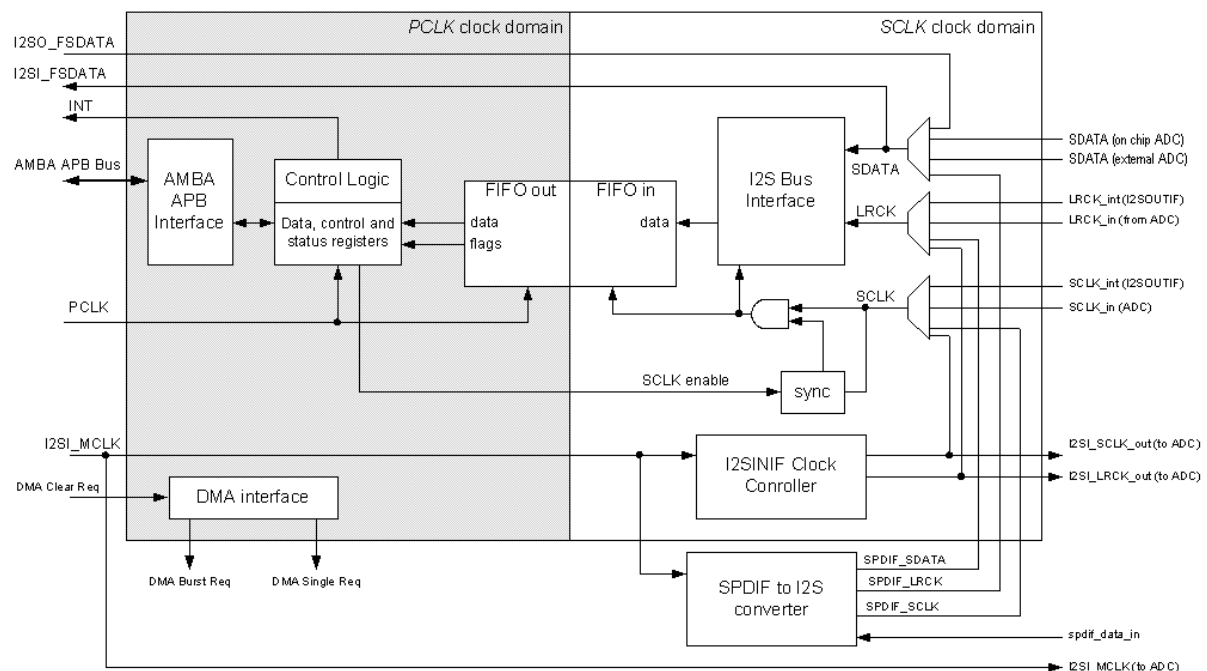
The I2SINIF provides the following features:

- two independent clock domains: AMBA APB clock PCLK, I2S input clock i2si_sclk
- FIFO (32 words/48 bit) separating clock domains
- support of several oversampling rates: 128x, 256x, 512x
- interrupt support for FIFO data read
- DMA support for FIFO data transfer

The I2SINIF provides five different modes:

- input from on-chip audio ADC
- input from external audio ADC in master mode (SCLK, LRCK generated by external ADC)
- input from external audio ADC in slave mode (SCLK, LRCK, MCLK generated internally and fed to external ADC)
- input from SPDIF (SPDIF to I2S converter)
- feedback mode with input from I2S output interface: used for test purposes

Figure 25 I2S Input Interface



7.3.8.1 I2S Input Register Mapping

I2S Input Interface Registers

Table 42 I2S Input Interface Registers

Register Name	Base Address	Offset	Note
I2SIN_CONTROL	AS3525_I2SIN_BASE	0x0000	Control register
I2SIN_MASK	AS3525_I2SIN_BASE	0x0004	Interrupt mask register
I2SIN_RAW_STATUS	AS3525_I2SIN_BASE	0x0008	Raw status register
I2SIN_STATUS	AS3525_I2SIN_BASE	0x000C	Status register
I2SIN_CLEAR	AS3525_I2SIN_BASE	0x0010	Interrupt clear register
I2SIN_DATA	AS3525_I2SIN_BASE	0x0014	Audio data register
I2SIN_SPDIF_STATUS	AS3525_I2SIN_BASE	0x0018	SPDIF status signals register

Table 43 I2S Input Control Register

Name		Base		Default
I2SIN_CONTROL		AS3525_I2SIN_BASE		0x04
Offset: 0x0000		Control register		
12 bit wide read/write register containing the control bits of the I2SINIF.				
Bit	Bit Name	Default	Access	Bit Description
11	DMA_req_en	0	R/W	DMA request enable 0: disable 1: enable
10	mclk_invert	0	R/W	Invert MCLK 0: disable (SCLK changes at MCLK's falling edge) 1: enable (SCLK changes at MCLK's rising edge)
9,8	i2s_clk_source	00	R/W	Define the source of SCLK and LRCK for I2SINIF 00: SCLK and LRCK from I2SOUTIF (used if AFE sends data) 01: SCLK and LRCK from external ADC device (outside AS3525) 10: SCLK and LRCK from SPDIF converter 11: SCLK and LRCK from I2SINIF's clock controller
7,6	sdata_source	00	R/W	Define the source of SDATA for I2SINIF 00: SDATA from AFE 01: SDATA from external ADC device (outside AS3525) 10: SDATA from SPDIF converter 11: loopback SDATA from I2SOUTIF (test purpose)
5	14bit_mode	0	R/W	0: ADC data from FIFO transferred in two 32-bit words to I2SIN_DATA (first left and then right data as indicated by the stereo24_status bit) 1: ADC data from FIFO transferred in one 32-bit word to I2SIN_DATA
4	sclk_idle	0	R/W	Enable/disable SCLK for I2SINIF 0: SCLK enabled 1: SCLK disabled
3	SDATA_valid	0	R/W	0: SDATA ignored at first SCLK edge (I2S standard) 1: valid SDATA at first SCLK edge
2	sclk_edge	1	R/W	0: data valid at negative edge of SCLK 1: data valid at positive edge of SCLK
1,0	osr	00	R/W	Oversampling rate (needed for generating sclk and lrck) 00: 128x 01: 256x 10: 512x 11: 128x

The following table shows the valid combinations for `sdata_source` (bit 7 and 6) and `i2s_clk_source` (bit 9 and 8) of the `I2SIN_CONTROL` register.

<code>sdata_source</code>	<code>i2s_clk_source</code>	Description
00	00	default mode (AFE with AS3525)
01	00	external data, external clock
01	11	external data, internal clock
10	10	data and clock from SPDIF converter
11	00	loopback, internal data and clock

Table 44 I2S Input mask register

Name		Base		Default
I2SIN_MASK		AS3525_I2SIN_BASE		0x00
Offset: 0x0004		Interrupt mask register		
		The interrupt mask register determines which status flags generate an interrupt by setting the corresponding bit to 1.		
Bit	Bit Name	Default	Access	Bit Description
7	reserved	0	R/W	stereo24_status cannot assert interrupt request
6	I2SIN_MASK_PUER	0	R/W	1 enables the FIFO PUSH error interrupt
5	I2SIN_MASK_POE	0	R/W	1 enables the FIFO POP is empty interrupt
4	I2SIN_MASK_POAE	0	R/W	1 enables the FIFO POP is almost empty interrupt
3	I2SIN_MASK_POHF	0	R/W	1 enables the FIFO POP is half full interrupt
2	I2SIN_MASK_POAF	0	R/W	1 enables the FIFO POP is almost full interrupt
1	I2SIN_MASK_POF	0	R/W	1 enables the FIFO POP is full interrupt
0	I2SIN_MASK_POER	0	R/W	1 enables the FIFO POP error interrupt

Table 45 I2S Input raw status register

Name		Base		Default
I2SIN_RAW_STATUS		AS3525_I2SIN_BASE		0x00
Offset: 0x0008		Raw status register		
		The read-only raw status register contains the actual bit values as reflected by the FIFO controller status signals. <code>I2SIN_PUER</code> and <code>I2SIN_POER</code> are static bits, since FIFO controller gives the PUSH/POP error bit only for one clock. This means that these two bits remain asserted until they are cleared in the <code>I2SIN_CLEAR</code> register. All other bits change state depending on the underlying logic, i.e. state of FIFO controller.		
Bit	Bit Name	Default	Access	Bit Description
7	stereo24_status	0	R	Status of write interface for 24 bit stereo mode 0: left audio sample will be transferred next 1: right audio sample will be transferred next
6	I2SIN_PUER	0	R	1 if FIFO PUSH error
5	I2SIN_POE	0	R	1 if FIFO POP is empty
4	I2SIN_POAE	0	R	1 if FIFO POP is almost empty
3	I2SIN_POHF	0	R	1 if FIFO POP is half full
2	I2SIN_POAF	0	R	1 if FIFO POP is almost full
1	I2SIN_POF	0	R	1 if FIFO POP is full
0	I2SIN_POER	0	R	1 if FIFO POP error

Table 46 I2S input status register

Name		Base		Default
I2SIN_STATUS		AS3525_I2SIN_BASE		0x00
Offset: 0x000C		Status register		
		The status register is a read-only register. A read to this register returns the value of the raw status bits AND'ed with the corresponding mask of enable bits set in the mask register.		
Bit	Bit Name	Default	Access	Bit Description
7	stereo24_status	0	R	Status of write interface for 24 bit stereo mode 0: left audio sample will be transferred next 1: right audio sample will be transferred next
6	I2SIN_PUER	0	R	1 if FIFO PUSH error
5	I2SIN_POE	0	R	1 if FIFO POP is empty
4	I2SIN_POAE	0	R	1 if FIFO POP is almost empty
3	I2SIN_POHF	0	R	1 if FIFO POP is half full
2	I2SIN_POAF	0	R	1 if FIFO POP is almost full
1	I2SIN_POF	0	R	1 if FIFO POP is full
0	I2SIN_POER	0	R	1 if FIFO POP error

Table 47 I2S Input interrupt clear register

Name		Base		Default
I2SIN_CLEAR		AS3525_I2SIN_BASE		0x00
Offset: 0x0010		Interrupt clear register		
		The interrupt clear register is a write-only register. The corresponding static status bit can be cleared by writing a 1 to the corresponding bit in the clear register. All other interrupt flags are level interrupts depending on the status of the FIFO. The bits are de-asserted depending on the FIFO controller.		
Bit	Bit Name	Default	Access	Bit Description
7	reserved		W	
6	I2SIN_clear_puer		W	Clear PUSH error interrupt flag
5:1	reserved		W	
0	I2SIN_clear_poer		W	Clear POP error interrupt flag

I2SIN_DATA

The I2SINIF provides a single 32 bit wide data register. The register is used to read the audio samples from FIFO. If 14 bit mode is selected, both the left and right data are made available in the same register. Otherwise in the 24 bit mode the left and right data are provided through the same register alternatively. The stereo24_status bit in the I2SIN_STATUS register provides information which channel's data will be provided next. The 14bit_mode bit in the I2SIN_CONTROL register defines how the values are read from the FIFO.

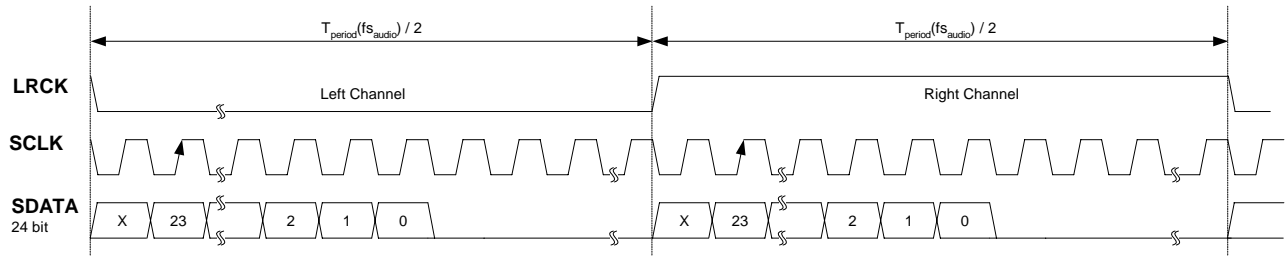
7.3.8.2 I2S Input Signals

The following specifications signals are given:

- Data are valid at rising/falling edge of SCLK (depending on I2SI_CONTROL's setting).
- The left and right channels are indicated by the LRCK signal.

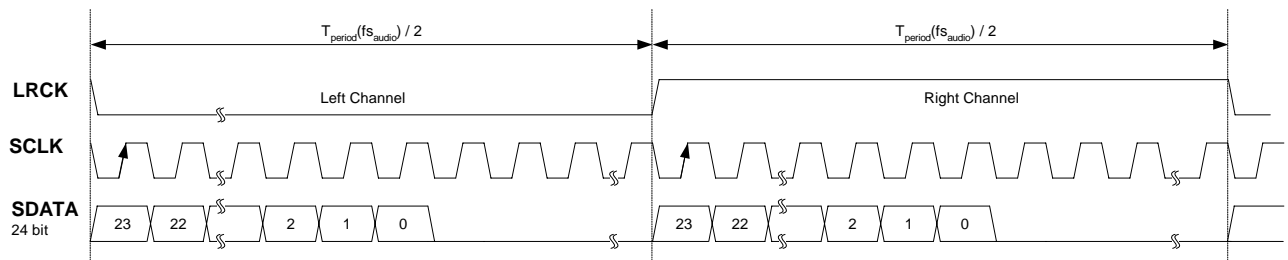
The timing diagram of the standard I2S interface signals from the ADC is shown below (Figure 29).

Figure 26 - I2S standard timing diagram



While the I2S standard states that the LRCK line changes one clock cycle before the MSB is transmitted. If the ADC sends the MSB directly after LRCK line changes, the *SDATA_valid* bit in the I2SI_CONTROL register must be set.

Figure 27 - I2S standard timing diagram with SDATA valid directly after LRC changes



Assumption: The LRCK toggles every 32 clocks of SCLK.

7.3.8.3 Power Modes

The I2SINIF contains two clock domains. The PCLK domain can be turned off in the clock controller. The SCLK clock domain can be turned off locally using the SCLK_idle bit in the I2SIN_CONTROL register. Note that the SCLK's clock gating signal has to be synchronized with the SCLK clock in order to guarantee correct operation.

If PCLK is turned off, no interrupt must be triggered by the I2SINIF module.

The I2SI_MCLK clock can be turned on/off in the clock generation unit.

7.3.8.4 Loopback Feature

On the AS3525 are two I2S interfaces:

- I2SOUTIF is responsible to send values to the DAC of the audio chip via I2SO_SDATA
- I2SINIF is responsible to receive audio values from ADC of the audio chip via I2SI_SDATA

In the AS3525 both SDATA signals are provided as loopback signals (I2SO_FSDATA, I2SI_FSDATA):

- I2SO_SDATA to I2SINIF: This loopback is mainly for testing the transmit and receive paths of both I2S interfaces. The loopback signal is called I2SO_FSDATA.
- I2SI_SDATA to I2SOUTIF: This loopback feature allows the application to echo the input audio samples directly to a loudspeaker. The signal provided by the I2SINIF is called I2SI_FSDATA.

In normal mode the I2SINIF pushes audio values into the FIFO based on the I2SI_SDATA signal. If the loopback feature is enabled, the *sdata_source* bit in the control register must be set to 3. The FIFO content is filled with audio values send by the I2SOUTIF (signal I2SO_FSDATA).

NOTE: This feature will only be available if SCLK is the same for I2S input and output interface. For implementation the I2SO_FSDATA signal is simply routed through a multiplexer to the I2SI_SDATA interface.

7.3.8.5 DMA Interface

The I2SINIF supports DMA transfers. The DMA controller supports incrementing and non-incrementing (single address) addressing for source and destination. For I2SINIF the single-address mode is used. The address of the I2SI_DATA register is used as DMA source address.

7.3.8.6 The 24 bit Stereo DMA Mode

In 24 bit stereo mode, right and left audio samples must be read separately from the FIFO. In single-address DMA-mode both data must be read from the same address. The I2SINIF is responsible to split up the 48 bit FIFO entries into two 24 bit samples. The 24 bit value can then be transferred via the 32 bit wide AMBA bus.

The I2SINIF provides the data in a specific order: first the left value is sent, and afterwards the right value is provided. Then a left value follows, and so on. In the destination memory the words are stored incrementally as shown below.

Address	Value
addr 0	LDATA 0
addr 1	RDATA 0
addr 2	LDATA 1
addr 3	RDATA 1
...	...
addr n*2	LDATA n
addr n*2+1	RDATA n

7.3.9 SPDIF interface

As part of the I2SIN module also a SPDIF receiver interface is included. This SPDIF interface works as converter from SPDIF-AES/EBU to I2S.

The SPDIF-AES/EBU standard is a serial audio interface that conveys 2 time-multiplexed audio channels, the left and right channels, as is the case in audio stereo transmission. The two channels are encoded in a 64-bit frame. Each individual channel is encoded in a sub-frame that consists of a 4-bit preamble, followed by 24 bits of audio data and 4 control bits, in a total of 32 bits per sub-frame. The SPDIF-AES/EBU standard provides for LSB first, up to 24-bit audio samples. Samples of 20 bits or less may be used, in which case the 4 least significant bits may be used for a 12-bit monitoring channel, transmitted at 1/3 of the sample rate. Please refer to the SPDIF-AES/EBU, AES3 or IEC958 standard documentation for more information.

Features

- Feed-forward operation: extracts audio data from the SPDIF-AES/EBU input signal by sampling it with a fast clock signal which not necessarily related to the sample rate frequency
- Purely digital receiver solution, without need of an input PLL for synchronisation.
- The audio samples are output serially in I2S format.
- PLL interface to filter out the jitter and generate a jitter-free I2S output.
- Recognizes all common audio and video related sample frequencies and outputs a nibble code for each.

7.3.9.1 SPDIF register description

Table 48 SPDIF status register

Name		Base		Default
I2SIN_SPDIF_STATUS		AS3525_I2SIN_BASE		0x00
Offset: 0x0018		SPDIF status signals register		
		This read-only register contains status information of the SPDIF interface. The <code>spdif_sample_freq</code> and <code>spdif_sync</code> status bits are directly derived from the SPDIF converter. In order to provide valid status bits, these signals must be synchronized with <code>pclk</code> , i.e. <code>clk_i2sin</code> .		
Bit	Bit Name	Default	Access	Bit Description
4:1	<code>spdif_sample_freq</code>		R	Incoming sample frequency
0	<code>spdif_sync</code>		R	Recognition of sub-frame preamble 0: first sub-frame preamble not recognized 1: successful recognition of the first sub-frame preamble

The following table shows the input sample rate in KHz according to the `sample_freq_code` (bit 5 to 1) in the I2SIN_SPDIF register.

sample_freq_code	Input Sample Rate (KHz)
0001	22.050
0010	24.000
0011	32.000
0100	44.100
0101	48.000
0110	64.000
0111	88.200
1000	96.000
1001	176.400
1010	192.000

7.3.10 I2SOUT - I2S output interface

The I2S output interface module (called I2SOUTIF module hereafter) is used to connect the processor system to an audio DAC. The communication is based on the standardized I2S interface. The audio samples are transferred from the processor to the I2SOUTIF module using the AMBA APB bus. A FIFO for 128 dual-channel audio samples is provided as a data buffer. Furthermore, the module provides a set of data, control and status registers.

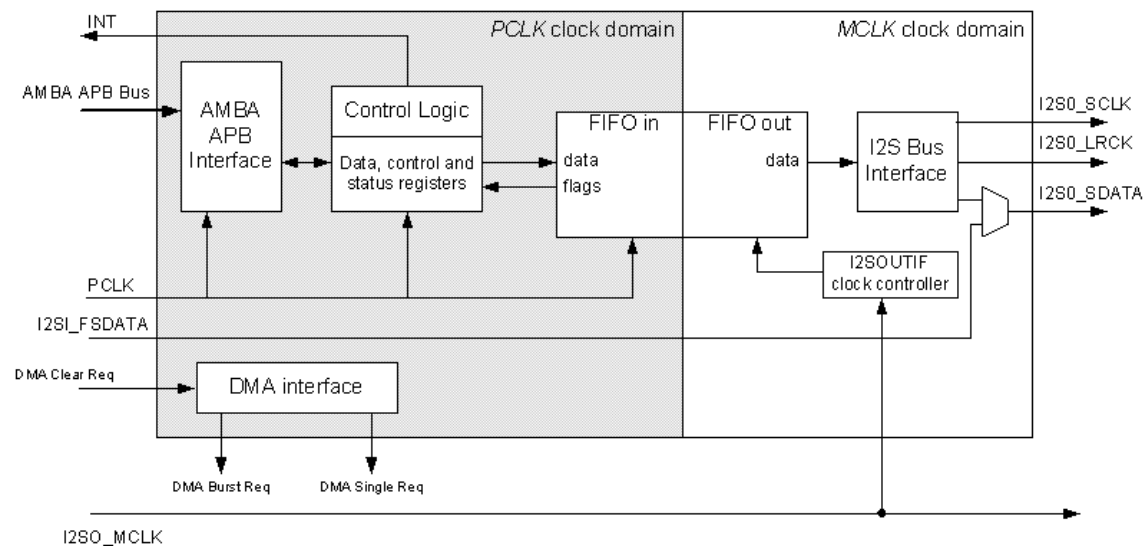
The I2SOUTIF provides the following features:

- two independent clock domains: AMBA APB clock PCLK, I2S output clock i2so_mclk
- FIFO (128 words with 36 bit) separating clock domains
- support of 16 and 18 bit audio samples
- clock generator for I2S clocks (LCLK, I2SO_SCLK)
- support of several oversampling rates: 128x, 256x, 512x
- interrupt support for FIFO data write
- DMA support for FIFO data transfer

For data output, following modes are implemented:

- two 18 bit audio samples, one for each channel (R,L). The values are written to I2SO_DATA.
- two 16 bit audio samples, one for each channel (R,L). Both values are written to the 32-bit wide I2SO_DATA register at the same time. This mode is highly efficient for 32-bit processor architectures.
- one 18 bit mono audio sample; the sample is used for both channels (R and L). The value is written to the I2SO_DATA.
- one 16 bit mono audio sample; the sample is used for both channels (R and L). The value is written to the I2SO_DATA.

Figure 28 I2SO Block Diagram



7.3.10.1 I2S Output Interface Registers

Table 49 I2S Output Interface Registers

Register Name	Base Address	Offset	Note
I2SOUT_CONTROL	AS3525_I2SOUT_BASE	0x0000	Control register
I2SOUT_MASK	AS3525_I2SOUT_BASE	0x0004	Interrupt mask register
I2SOUT_RAW_STATUS	AS3525_I2SOUT_BASE	0x0008	Raw status register
I2SOUT_STATUS	AS3525_I2SOUT_BASE	0x000C	Status register
I2SOUT_CLEAR	AS3525_I2SOUT_BASE	0x0010	Interrupt clear register
I2SOUT_DATA	AS3525_I2SOUT_BASE	0x0014	Audio data register

Table 50 I2SOUT control register

Name		Base		Default
I2SOUT_CONTROL		AS3525_I2SOUT_BASE		0x0C
Offset: 0x0000		Control register		
		7 bit wide read/write register containing the control bits of the I2SOUTIF.		
Bit	Bit Name	Default	Access	Bit Description
6	DMA_req_en	0	R/W	DMA request enable 0: disable 1: enable
5	sdata_lb	0	R/W	I2SDATA loopback from I2SINIF 0: I2SOUT_SDATA source is I2SOUTIF's FIFO 1: I2SOUT_SDATA source is loopback value from I2SINIF (signal I2SIN_FDATA)
4	mclk_invert	0	R/W	Invert MCLK 0: disable (SCLK changes at MCLK's falling edge) 1: enable (SCLK changes at MCLK's rising edge)
3	stereo_mode	1	R/W	Audio samples provided by processor 0: mono 1: stereo
2	18bit_mode	1	R/W	Bit width of audio samples provided by processor 0: 16 bit 1: 18 bit
1,0	osr	00	R/W	Oversampling rate 00: 128x 01: 256x 10: 512x 11: 128x

CAUTION: The control bit `sdata_lb` can only be set, if the `I2SIN_FSDATA` is synchronous to `I2SOUT_SCLK`. This is the case if AFE is used together with the AS3525 (in this case the `I2SINIF` uses also `I2SOUT_CLK`).

Table 51 I2S Output mask register

Name		Base		Default
I2SOUT_MASK		AS3525_I2SOUT_BASE		0x00
Offset: 0x0004		Interrupt mask register		
		The interrupt mask register determines which status flags generate an interrupt by setting the corresponding bit to 1.		
Bit	Bit Name	Default	Access	Bit Description
7	reserved	0	R/W	stereo18_status cannot assert interrupt request
6	I2SOUT_MASK_POER	0	R/W	1 enables the FIFO POP error interrupt
5	I2SOUT_MASK_PUE	0	R/W	1 enables the FIFO PUSH is empty interrupt
4	I2SOUT_MASK_PUAE	0	R/W	1 enables the FIFO PUSH is almost empty interrupt
3	I2SOUT_MASK_PUHF	0	R/W	1 enables the FIFO PUSH is half full interrupt
2	I2SOUT_MASK_PUAF	0	R/W	1 enables the FIFO PUSH is almost full interrupt
1	I2SOUT_MASK_PUF	0	R/W	1 enables the FIFO PUSH is full interrupt
0	I2SOUT_MASK_PUER	0	R/W	1 enables the FIFO PUSH error interrupt

Table 52 I2S output raw status register

Name		Base		Default
I2SOUT_RAW_STATUS		AS3525_I2SOUT_BASE		0x00
Offset: 0x0008		Raw status register		
		The read-only raw status register contains the actual bit values as reflected by the FIFO controller status signals. I2SOUT_POER and I2SOUT_PUER are static bits, since FIFO controller gives the PUSH/POP error bit only for one clock. This means that these two bits remain asserted until they are cleared in the I2SOUT_CLEAR register. All other bits change state depending on the underlying logic, i.e. state of FIFO controller.		
Bit	Bit Name	Default	Access	Bit Description
7	stereo18_status	0	R	Status of write interface for 18 bit stereo mode 0: left audio sample is expected next 1: right audio sample is expected next
6	I2SOUT_POER	0	R	1 if FIFO POP error
5	I2SOUT_PUE	0	R	1 if FIFO PUSH is empty
4	I2SOUT_PUAE	0	R	1 if FIFO PUSH is almost empty
3	I2SOUT_PUHF	0	R	1 if FIFO PUSH is half full
2	I2SOUT_PUAF	0	R	1 if FIFO PUSH is almost full
1	I2SOUT_PUF	0	R	1 if FIFO PUSH is full
0	I2SOUT_PUER	0	R	1 if FIFO PUSH error

Table 53 I2S output status register

Name		Base		Default
I2SOUT_STATUS		AS3525_I2SOUT_BASE		0x00
Offset: 0x000C		Status register		
		The status register is a read-only register. A read to this register returns the value of the raw status bits AND'ed with the corresponding mask of enable bits set in the mask register.		
Bit	Bit Name	Default	Access	Bit Description
7	stereo18_status	0	R	Status of write interface for 18 bit stereo mode 0: left audio sample is expected next 1: right audio sample is expected next
6	I2SOUT_POER	0	R	1 if FIFO POP error
5	I2SOUT_PUE	0	R	1 if FIFO PUSH is empty
4	I2SOUT_PUAE	0	R	1 if FIFO PUSH is almost empty
3	I2SOUT_PUHF	0	R	1 if FIFO PUSH is half full
2	I2SOUT_PUAF	0	R	1 if FIFO PUSH is almost full
1	I2SOUT_PUF	0	R	1 if FIFO PUSH is full
0	I2SOUT_PUER	0	R	1 if FIFO PUSH error

Table 54 I2S output interrupt clear register

Name		Base		Default
I2SOUT_CLEAR		AS3525_I2SOUT_BASE		0x00
Offset: 0x0010		Interrupt clear register		
		The interrupt clear register is a write-only register. The corresponding static status bit can be cleared by writing a 1 to the corresponding bit in the clear register. All other interrupt flags are level interrupts depending on the status of the FIFO. The bits are de-asserted depending on the FIFO controller.		
Bit	Bit Name	Default	Access	Bit Description
7	reserved		W	
6	I2SOUT_clear_poer		W	Clear POP error interrupt flag
5:1	reserved		W	
0	I2SOUT_clear_puer		W	Clear PUSH error interrupt flag

I2SOUT_DATA

The I2SOUTIF provides two 32 bit wide data registers. The registers are used to store the audio samples before they are written to the FIFO. The registers can be used in different modes depending on the setting of the I2SOUT_CONTROL register.

Basically, there are four ways to fill the FIFO.

The processor can provide

- two 18 bit audio samples, one for each channel (R,L). The values are written to I2SOUT_DATA.
- two 16 bit audio samples, one for each channel (R,L). Both values are written to the 32-bit wide I2SOUT_DATA register at the same time. This mode is highly efficient for 32-bit processor architectures.
- one 18 bit mono audio sample; the sample is used for both channels (R and L). The value is written to the I2SOUT_DATA.
- one 16 bit mono audio sample; the sample is used for both channels (R and L). The value is written to the I2SOUT_DATA.

In 18 bit stereo mode the data in I2SOUT_DATA is interpreted either as left or right audio value. The stereo18_status bit in the I2SOUT_STATUS register provides the information which channel's audio sample is expected next.

The I2S Output Signals

The following specifications signals are given:

- Data are valid at the rising edge of I2SO_SCLK.
- The MSB is left justified to the I2S frame identification (I2SO_LRCK). According to standard I2S definition, a delay of one clock cycle between transition of I2SO_LRCK and the data MSB is used.

The timing diagram of the I2S interface signals for 18bit and 16bit DAC is shown below.

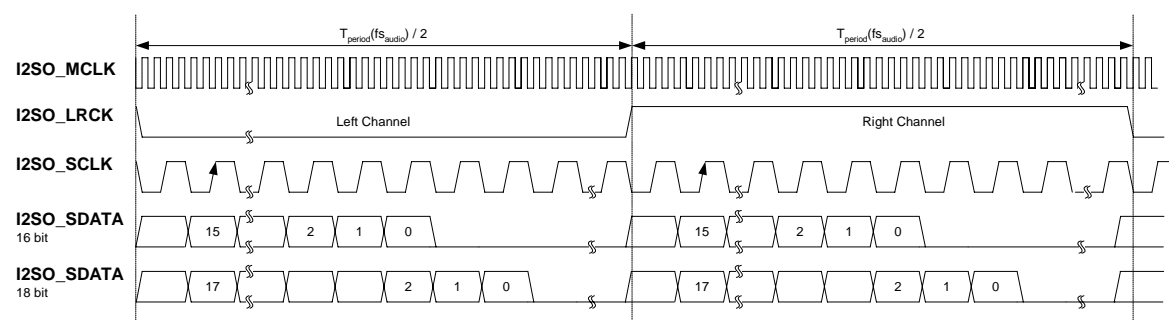
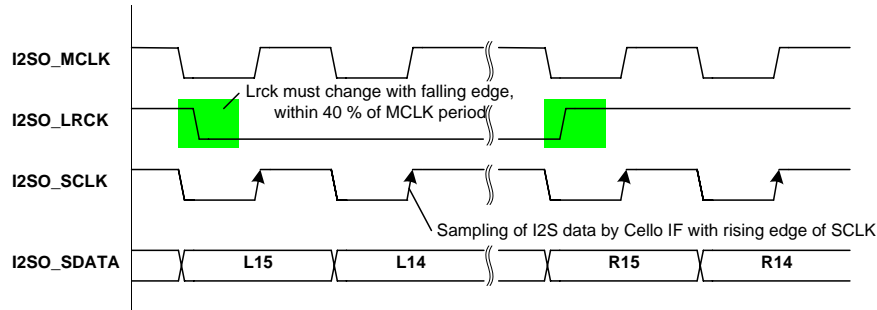


Figure 29 - I2S output timing diagram

For the relationship of the clocks following constraints must be met:

- LRCK must change with the falling edge of MCLK while MCLK is low (constrained should be set to 40 % of the MCLK period, see figure below).
- SDATA must change at the falling edge of SCLK. It will be read with the rising edge of SCLK.

Figure 30 Clock constraints



7.3.10.2 Power Modes

The I2SOUTIF contains two clock domains. Each clock domain can be turned off separately. The I2SO_MCLK must be turned off in the global clock controller register. This is necessary, as the audio chip requires I2SO_MCLK and I2SO_SCLK not only for I2S output, but also I2S input (see I2SINIF).

PCLK Idle Mode

If the PCLK is turned off (by the clock controller) the I2SOUT_STATUS register can hold invalid data. However, no interrupt should be triggered if the I2SOUTIF is in idle mode.

I2SO_MCLK Idle Mode

If I2SO_MCLK is disabled (by the clock controller) no audio samples are read from the FIFO. The output signals remain unchanged until the I2SO_MCLK is enabled again.

7.3.10.3 Loopback Feature

On the AS3525 are two I2S interfaces:

- I2SOUTIF is responsible to send values to the DAC of the audio chip via I2SO_SDATA
- I2SINIF is responsible to receive audio values from ADC of the audio chip via I2SI_SDATA

In the AS3525 both SDATA signals are provided as loopback signals (I2SO_FSDATA, I2SI_FSDATA):

- I2SO_SDATA to I2SINIF: This loopback is mainly for testing the transmission and reception paths of both I2S interfaces. The loopback signal is called I2SO_FSDATA.
- I2SI_SDATA to I2SOUTIF: This loopback feature allows the application to echo the input audio samples directly to a loudspeaker. The signal provided by the I2SINIF is called I2SI_FSDATA.

In normal mode the I2SOUTIF generates the I2SO_SDATA signal based on the contents of the FIFO. If the loop back feature is enabled, the SDATA_LB bit in the I2SOUT_CONTROL register must be set.

NOTE: This feature will only be available if SCLK is the same for I2S input and output interface. For implementation the I2SI_FSDATA signal is simply routed through a multiplexer to the I2SO_SDATA interface.

7.3.10.4 DMA Interface

The I2SOUTIF supports DMA transfers. The DMA controller supports incrementing and non-incrementing (single address) addressing for source and destination. For I2SOUTIF the single-address mode is used. The address of the I2SOUT_DATA register is used as DMA destination address.

Stereo 18 bit DMA Mode

In 18 bit stereo mode, right and left audio samples must be transferred separately to the FIFO. In single-address DMA-mode both data must be written to the same address. The I2SOUTIF is responsible to put the two 18 bit samples together to a 36 bit word. This word is written into the 36 bit wide FIFO.

The I2SOUTIF requires a specific ordering of the samples written to the I2SOUT_DATA register: first the left value must be written, and afterwards the DMA controller must write the right value. Then a left value can follow, a.s.o. The status bit *stereo18_status* shows which audio sample is expected.

In order to set up a correct DMA transfer the values must be placed in the source memory as follows:

Address	Value
addr 0	LDATA 0
addr 1	RDATA 0
addr 2	LDATA 1
addr 3	RDATA 1
...	...
addr n*2	LDATA n
addr n*2+1	RDATA n

7.3.11 NAND Flash Interface

The NAND FLASH interface module enables control of NAND flash devices. The design follows the hardware reference implementation described in SMIL (SmartMedia™ Interface Library), Hardware Edition 1.00, TOSHIBA Corporation, but has extensions to support the latest generation of NAND flash devices.

Programming and Reading can be done either by direct access to/from data register (normal mode) or by using a FIFO (burst mode). NAF supports 8-bit and 16-bit transfers.

Features

- interface compliant to AMBA APB bus
- generation of interrupt request signal with several maskable interrupt sources (ready, empty, almost_empty...)
- hardware error detection (2 detect, 1 correct per 256 bytes block) for up to 8 *256 bytes (up to 24 ECC bytes)
- 8-bit and 16-bit transfer Mode fore X8/X16 devices
- big endian / little endian support
- DMA Mode
- Normal Mode
- Data/Mode/Status Register
- write/read on/from data register automatically generates read/write strobes
- Burst Transfer
- 36 x 32 bit FIFO for DMA/burst support
- read- & write controller for automatic data resizing (32bit <=> 8/16bit) and read/write control
- configurable strobe (low and high time) for higher PCLK clocks / lower speed NAND Flash devices
- little endian/ big endian selectable
- load interrupts when FIFO is 'almost_empty' & 'almost_full' to ensure continuous data flow

Figure 31 Block Diagram of NAND Flash Interface

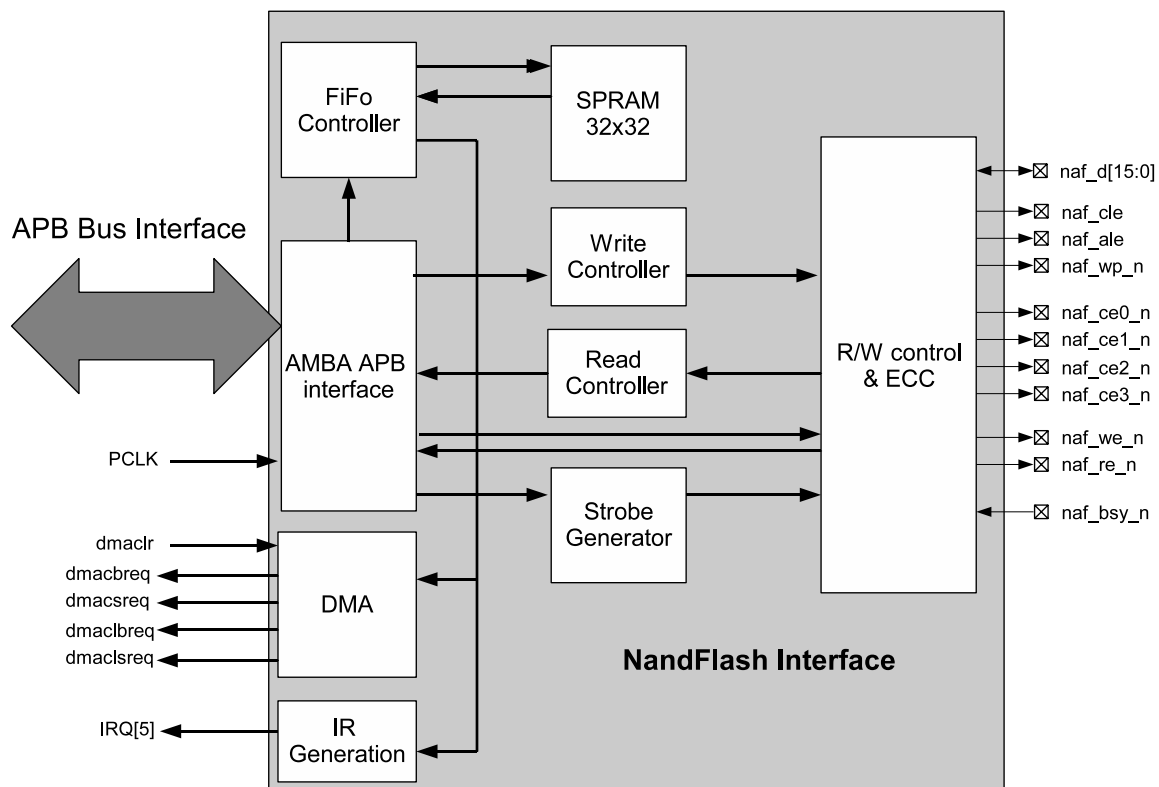
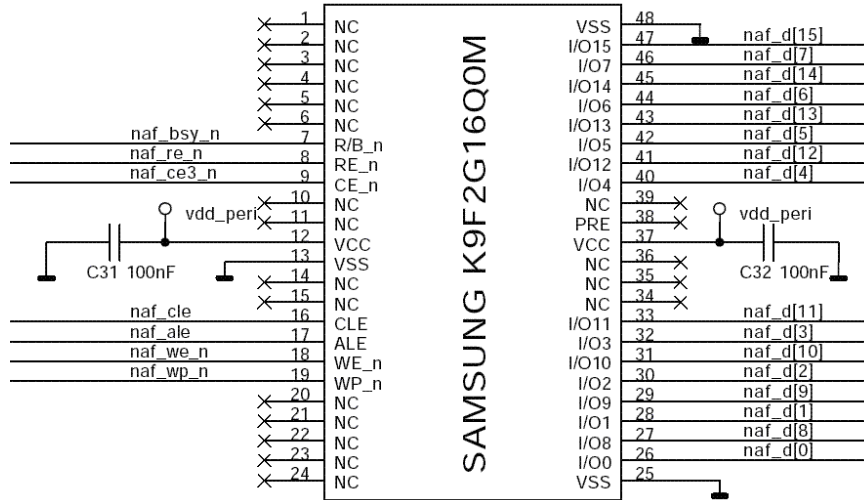


Figure 32 Connecting a NAND Flash



7.3.11.1 NandFlash Interface Registers

Table 55 NAF registers

Register Name	Base Address	Offset	Note
NAFCONFIG	AS3525_NAND_FLASH_BASE	0x00	Configuration register
NAFCONTROL	AS3525_NAND_FLASH_BASE	0x04	Control register
NAFECC	AS3525_NAND_FLASH_BASE	0x08	Error correction code reg
NAFDATA	AS3525_NAND_FLASH_BASE	0x0C	Data register
NAFMODE	AS3525_NAND_FLASH_BASE	0x10	Mode register
NAFSTATUS	AS3525_NAND_FLASH_BASE	0x14	Status register
NAFMASK	AS3525_NAND_FLASH_BASE	0x18	Interrupt mask register
NAFFIFODATA	AS3525_NAND_FLASH_BASE	0x1C	buffered read/write data register
NAFWORDS	AS3525_NAND_FLASH_BASE	0x20	Words register
NAFCLEAR	AS3525_NAND_FLASH_BASE	0x24	Interrupt clear register
NAFTEST	AS3525_NAND_FLASH_BASE	0x28	Test register

Table 56 NAF configuration register

Name		Base		Default
NAFConfig		AS3525_NAND_FLASH_BASE		0x00
Offset 0x0000		NAF Configuration Register		
		The register is used for basic setup. 8 or 16-bit data width, little or big endian can be selected. DMA and FIFO on/off can be controlled as well as duty cycle and duration of read & write signals.		
Bit	Bit Name	Default	Access	Bit Description
19:16	write_strobe_low [3:0]	0x00	R/W	low time (# of PCLK cycles + 1) of the output 'naf_we_n' (e.g. a value of 1 will keep naf_we_n at '0' for 3 PCLK cycles during write)
15:12	write_strobe_high [3:0]	0x00	R/W	high time (# of PCLK cycles + 2) of the output 'naf_we_n' (e.g. a value of 0 will keep naf_we_n at '1' for 2 PCLK cycles during write)
11:8	read_strobe_low [3:0]	0x00	R/W	low time (# of PCLK cycles + 1) of the output 'naf_re_n' (e.g. a value of 2 will keep naf_re_n at '0' for 3 PCLK cycles during read)
7:4	read_strobe_high [3:0]	0x00	R/W	high time (# of PCLK cycles + 2) of the output 'naf_re_n' (e.g. a value of 0 will keep naf_re_n at '1' for 2 PCLK cycles during read)
3	dma_on	0x0	R/W	0: DMA is disabled and all DMA request signals are tied to 1: DMA is enabled
2	fifo_staticreset_n	0x0	R/W	0: FIFO is reset 1: FIFO is enabled
1	big_endian	0x0	R/W	0: little endian (FIFO data word will be processed in the order word(7:0), word(15:8), word(23:16) and word(31:24) when x16_device is 0; word(15:0) and word(31:16) when x16_device is 1 1: big endian (FIFO data word will be processed in the order word(31:24), word(23:16), word(15:8) and word(7:0) when x16_device is 0; word(31:16) and word(15:0) when x16_device is 1 Note: big_endian is only supported for r/w access through register NAFFifodata
0	x16_device	0x0	R/W	0: X8 Device (for NAND flash with 8-bit data bus) 1: X16 Device (for NAND flash with 16-bit data bus)

Table 57 NAF control register

Name		Base		Default
NAFControl		AS3525_NAND_FLASH_BASE		0x2
Offset 0x0004		NAFControl Register		
		The NAFControl register controls read access and FIFO dynamic reset.		
Bit	Bit Name	Default	Access	Bit Description
1	read_strobe	0x1	W	1: triggers a FIFO reset pulse (when NAFConfig bit 'fifo_staticreset_n' is 1) The bit is cleared automatically in the next PCLK cycle.
0	fifo_reset_strobe	0x1	W	1: triggers one single read cycle on output 'naf_re_n'. The bit is cleared automatically in the next PCLK cycle.

Table 58 NAF error correction register

Name		Base		Default
NAFEcc		AS3525_NAND_FLASH_BASE		0x2
Offset 0x0008		NAF Error correction code register		
The NAFEcc register offers access to the error correction code registers.				
Bit	Bit Name	Default	Access	Bit Description
32:0	Nafecc [32:0]	0x0001	R	This register can be accessed up to 8 times and contains the following data: 1.access => Line Parity Block1 2.access => Column Parity Block1** 3.access => Line Parity Block2 4.access => Column Parity Block2** 5.access => Line Parity Block3 6.access => Column Parity Block3** 7.access => Line Parity Block4 8.access => Column Parity Block4** (9.access => same as 1.access)

Note: * Before access to NAFEcc registers is possible, NAFMode register has to be set to 0xd4 (after page write operation) or to 0x54 (after page read operation). NAFEcc register contents will be cleared if NAFMode register bits 6 and 5 are both '1'.

** Only bits 11 to 0 are relevant for column parity, other bits are '0';

The content of NAFEcc depends on the device type.

X8 (8-bit data bus) devices:

Line Parity Block1	: will contain the line parity of byte 1 to 512 (after 512 r/w cycles)
Column Parity Block1	: will contain the column parity of byte 1 to 512 (after 512 r/w cycles)
Line Parity Block2	: will contain the line parity of byte 513 to 1024 (after 1024 r/w cycles)
Column Parity Block2	: will contain the column parity of byte 513 to 1024 (after 1024 r/w cycles)
Line Parity Block3	: will contain the line parity of byte 1025 to 1536 (after 1536 r/w cycles)
Column Parity Block3	: will contain the column parity of byte 1025 to 1536 (after 1536 r/w cycles)
Line Parity Block4	: will contain the line parity of byte 1537 to 2048 (after 2048 r/w cycles)
Column Parity Block4	: will contain the column parity of byte 1537 to 2048 (after 2048 r/w cycles)

X16 (16-bit data bus) devices:

Line Parity Block1	: will contain the line parity of halfword(7:0) 1 to 512 (after 512 r/w cycles)
Column Parity Block1	: will contain the column parity of halfword(7:0) 1 to 512 (after 512 r/w cycles)
Line Parity Block2	: will contain the line parity of halfword(15:8) 1 to 512 (after 512 r/w cycles)
Column Parity Block2	: will contain the column parity of halfword(15:8) 1 to 512 (after 512 r/w cycles)
Line Parity Block3	: will contain the line parity of halfword(7:0) 513 to 1024 (after 1024 r/w cycles)
Column Parity Block3	: will contain the column parity of halfword(7:0) 513 to 1024 (after 1024 r/w cycles)
Line Parity Block4	: will contain the line parity of halfword(15:8) 513 to 1024 (after 1024 r/w cycles)
Column Parity Block4	: will contain the column parity of halfword(15:8) 513 to 1024 (after 1024 r/w cycles)

Note: Read ECC is not performed in unbuffered READ mode (this means when CPU accesses the Nand Flash through the NAF_DATA registers)

Table 59 NAF data register

Name		Base		Default
NAFData		AS3525_NAND_FLASH_BASE		0x0000
Offset 0x000C		Data Register		
		The NAFData register offers unbuffered access to the data bus of the NAND flash device.		
Bit	Bit Name	Default	Access	Bit Description
15:0	NAFData	0x01	R/W	For X8 devices (8-bit data bus) only bits 7:0 are relevant, other bits are ignored For X16 devices (16-bit data bus) all are relevant

Table 60 NAF mode register

Name		Base		Default
NAFMode		AS3525_NAND_FLASH_BASE		0x00
Offset 0x0010		Mode register		
		The NAFMode register controls NAND flash read/write/erase procedures.		
Bit	Bit Name	Default	Access	Bit Description
7	write protection	0x0	R/W	0: write protection is on 1: write protection is off (when 'power_on' is 1)
6:5	ecc [1:0]	0x0	R/W	0: error code correction disabled 1: error code correction enabled (when 'ce' is 1) 2: stop error code correction, disable read/write strobes and disable 'naf_do' (when 'ce' is 1). Use this mode when reading the NAFEcc register 3: Reset NAFEcc register contents, 'ecc' changes to value 1 (enable mode) automatically after the next PCLK cycle
4	ce	0x0	R/W	controls 'chip enable' 0: output 'naf_ce_n' is set to '1' (device is disabled) 1: output 'naf_ce_n' is set to '0' (device is enabled)
3	-	0x0	R	always '0'
2	power_on	0x0	R/W	0: power off (all output enable signals are turned off) 1: power on
1	ale	0x0	R/W	controls 'address latch enable' 0: output 'naf_ale' is set to '0' 1: output 'naf_ale' is set to '1' (Address Latch Cycle)
0	cle	0x0	R/W	controls 'command latch enable' 0: output 'naf_cle' is set to '0' 1: output 'naf_cle' is set to '1' (Command Latch Cycle)

Table 61 NAF status register

Name		Base		Default
NAFStatus		AS3525_NAND_FLASH_BASE		-
Offset 0x0014		Status Register		
The NAFStatus register contains information on the internal status.				
Bit	Bit Name	Default	Access	Bit Description
13	fifo_error	0x0	R	FIFO error signal 0: if FIFO is reset 1: if FIFO contains 36 words and FIFO push(write) has occurred or when FIFO contains 0 words and a FIFO pop(read) has occurred. The FIFO error will lock the FIFO and has to be reset by a reset of the FIFO (by setting NAFControl register bit 1 to '1')
12	fifo_full	0x0	R	FIFO full signal 0: if FIFO contains less than 36 words 1: if FIFO contains 36 words
11	fifo_almost_full	0x0	R	FIFO almost_full signal 0: if FIFO contains less than 32 words 1: if FIFO contains more than or equal 32 words
10	fifo_almost_empty	0x0	R	FIFO almost_empty signal 0: if FIFO contains more than 4 words 1: if FIFO contains less than or equal 4 words
9	fifo_empty	0x0	R	FIFO empty signal 0: if FIFO contains more than 0 words 1: = when FIFO contains 0 words
8	strobe_ready	0x0	R	read/write strobe ready signal 0: if read/write strobe '0' (strobe active) 1: if read/write strobe '1' (strobe inactive)
7	flash_ready	0x0	R	synchronised NAND flash ready signal 0: if synchronised input 'naf_busy_in_n' is '0' (busy) 1: if synchronised input 'naf_busy_in_n' is '1' (ready)
6	got_fifo_error	0x0	R	FIFO error indication (edge triggered) 0: if bit 6 of NAFClear register is set to '1' 1: if FIFO contains 36 words and FIFO push(write) occurs or when FIFO contains 0 words and a FIFO pop(read) occurs.
5	got_fifo_full	0x0	R	FIFO full indication (edge triggered) 0: if bit 5 of NAFClear register is set to '1' 1: if FIFO contains 36.
4	got_fifo_high	0x0	R	FIFO high indication (edge triggered) 0: if bit 4 of NAFClear register is set to '1' 1: if FIFO gets full (36 words) or changes from 31 to 32 words (and when the NAFWords register is greater than 32). Note: When this bit gets '1' during 'Page Read' mode, a new FIFO burst read of up to 32 words is possible.
3	got_fifo_low	0x0	R	FIFO low indication (edge triggered) 0: if bit 3 of NAFClear register is set to '1' 1: if FIFO gets empty or changes from 5 to 4 words (and when the NAND Flash requires more than 32 bytes/halfwords). Note: When this bit gets '1' during 'Page Programming' mode, a new FIFO burst write of up to 32 words is possible

Name		Base		Default
NAFStatus		AS3525_NAND_FLASH_BASE		-
Offset 0x0014		Status Register		
		The NAFStatus register contains information on the internal status.		
Bit	Bit Name	Default	Access	Bit Description
2	got_empty_and_rdy	0x0	R	NAFWords empty and Controller ready indication (edge triggered) 0: when bit 2 of NAFClear register is set to '1' 1: when read/write strobe changes from '0' to '1' (end of strobe) and NAFWords register has become empty. Note: This bit is used to detect the end of a multiple read/write burst transaction
1	got_strobe_ready	0x0	R	Read/write strobe ready indication (edge triggered) 0: when bit 1 of NAFClear register is set to '1' 1: when read/write strobe changes from '0' to '1' (end of strobe) Note: read/write strobes can last from 3 to 33 PCLK cycles depending on NAFConfig settings.
0	got_flash_ready	0x0	R	NAFWords empty and Controller ready indication (edge triggered) 0: when bit 2 of NAFClear register is set to '1' 1: when read/write strobe changes from '0' to '1' (end of strobe) and NAFWords register has become empty. Note: This bit is used to detect the end of a multiple read/write burst transaction

Table 62 NAF interrupt mask register

Name		Base		Default
NAFMask		AS3525_NAND_FLASH_BASE		0x0018
Offset 0x0018		Interrupt Mask Register		
		The NAFMask register is used to mask/enable the internal interrupt requests.		
Bit	Bit Name	Default	Access	Bit Description
6	mask6	0x1	R/W	Mask 'FIFO error indication' interrupt request 0: enable 1: masked
5	mask5	0x1	R/W	Mask 'FIFO full indication' interrupt request 0: enable 1: masked
4	mask4	0x1	R/W	Mask 'FIFO high indication' interrupt request 0: enable 1: masked
3	mask3	0x1	R/W	Mask 'FIFO low indication' interrupt request 0: enable 1: masked
2	mask2	0x1	R/W	Mask 'NAFWords empty and Controller ready indication' interrupt request 0: enable 1: masked
1	mask1	0x1	R/W	Mask 'Read/write strobe ready indication' interrupt request 0: enable 1: masked
0	mask0	0x1	R/W	Mask 'NAND flash ready indication' interrupt request 0: enable 1: masked

Table 63 NAF FiFo Data register

Name		Base		Default
NAFFifodata		AS3525_NAND_FLASH_BASE		0x0000
Offset 0x001c		FIFO Data Register		
		The NAFFifodata register offers access to the internal FIFO.		
Bit	Bit Name	Default	Access	Bit Description
32:0	Fifodata [32:0]	-	R/W	Writing this register will push a word on the FIFO and the write address will be incremented by 1. When the FIFO is full (36 words) then a write access on the register is ignored and the FIFO ERROR status bit is set. Reading on this register will pop a word from the FIFO and the read address will be incremented by 1. When the FIFO is empty then a read access on the register is ignored and the FIFO ERROR status bit is set.

Table 64 NAF interrupt mask register

Name		Base		Default
NAFWords		AS3525_NAND_FLASH_BASE		0x0000
Offset 0x0020		Interrupt Mask Register		
		The NAFWords register informs the controller about the maximum words to be transferred and controls the FIFO transfer both in interrupt and DMA mode.		
Bit	Bit Name	Default	Access	Bit Description
32:0	Words [32:0]	0x0000	R/W	0: FIFO based data transfer is disabled not 0: FIFO transfer is in progress

Note: For page transfers (program or read) the initial number of words depends on the NAND flash device. For a page size of 512 bytes, an initial word value of $512/4 = 128$ has to be written. For a page size of 2k bytes, an initial word value of 512 has to be used.

Table 65 NAF interrupt clear register

Name		Base		Default
NAFClear		AS3525_NAND_FLASH_BASE		0x0018
Offset 0x0024		Clear Register		
		The NAFClear register clears interrupt status information and re-enables interrupt detection.		
Bit	Bit Name	Default	Access	Bit Description
6	clear6	-	W	Reset of 'FIFO error indication' status bit 0: no action 1: bit 6 of NAFStatus is reset and interrupt 6 detection is enabled
5	clear5	-	W	Reset of 'FIFO full indication' status bit 0: no action 1: bit 5 of NAFStatus is reset and interrupt 5 detection is enabled
4	clear4	-	W	Reset of 'FIFO high indication' status bit 0: no action 1: bit 4 of NAFStatus is reset and interrupt 4 detection is enabled
3	clear3	-	W	Reset of 'FIFO low indication' status bit 0: no action 1: bit 3 of NAFStatus is reset and interrupt 3 detection is enabled
2	clear2	-	W	Reset of 'NAFWords empty and Controller ready indication' status bit 0: no action 1: bit 2 of NAFStatus is reset and interrupt 2 detection is enabled
1	clear1	-	W	Reset of 'Read/write strobe ready indication' status bit 0: no action 1: bit 1 of NAFStatus is reset and interrupt 1 detection is enabled
0	clear0	-	W	Reset of 'Read/write strobe ready indication' status bit 0: no action 1: bit 0 of NAFStatus is reset and interrupt 0 detection is enabled

Table 66 NAF test register

Name		Base		Default
NAFTest		AS3525_NAND_FLASH_BASE		0x0000
Offset 0x0028		Test Register		
		The NAFTest register is used for functional tests of the FIFO.		
Bit	Bit Name	Default	Access	Bit Description
1	datainvert		W	0: default mode 1: disables FIFO access by the internal controller => FIFO is accessed by APB interface only
0	fifotest	-	W	0: default mode 1: data word both on FIFO input and output is inverted

7.3.12 DBOP - Data Block Output Port

Purpose of this ARM APB peripheral module is a high-speed data output port that can support data transfer to various display controllers based on synchronous control interfaces. Programmability of polarity and timing of the generated control signals makes it possible to support various kinds of displays. Example of a supported display controller is the Hitachi HD77766R LCDE controller.

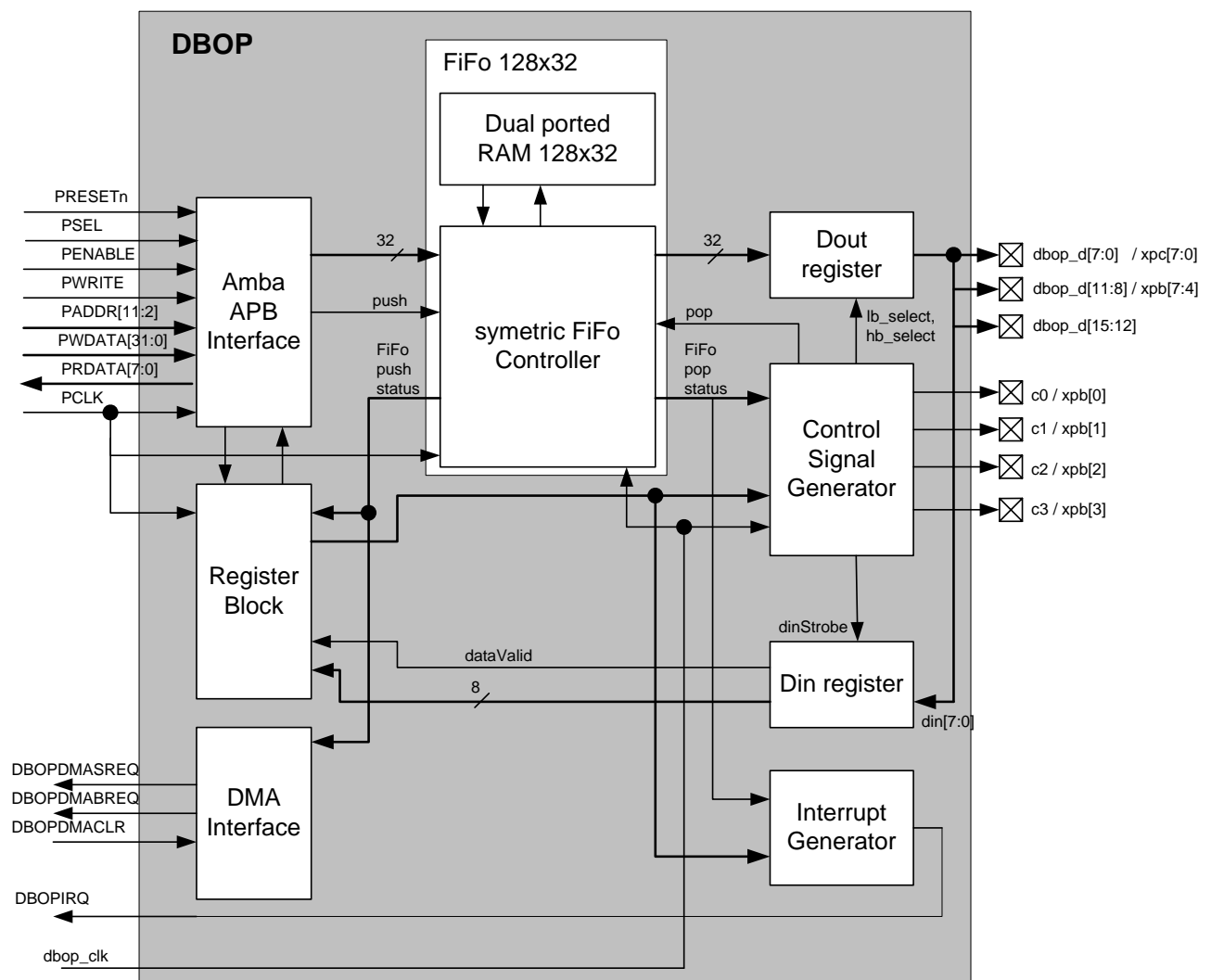
From the programmers point of view the DBOP module can be serviced by DMA accesses. With the large size of the data FIFO and the programmable interrupt request conditions the overhead for SW is minimised. Simple read instructions to read for example a status register of the LCD controller are also supported.

The usage of this cell results in a great performance boost compared to the standard ARM GPIO PrimeCell™ architecture.

Features

- APB bus interface
- support for direct memory access (DMA)
- data output FIFO with 128 words (32 bit wide)
- 8 or 16 bit parallel data output (configurable)
- 4 control outputs - flexible programming of the signal waveforms with respect to polarity and timing
- programmable even/odd control output generation
- 8 or 16 bit parallel data input register with programmable read strobe
- programmable conditions for interrupt generation based on FIFO flags
- usage of FIFO for simple division of APB clock domain and output clock domain
- programmable data output rate in range of 0.05 to 4 MHz
- APB Clock & DBOP Clocks are synchronous.

Figure 33 DBOP Block Diagram



7.3.12.1 DBOP register definitions

Table 67 DBOP Registers

Register Name	Base Address	Offset	Note
DBOP_TIMPOL_01	AS3525_DBOP_BASE	0x00	Timing and polarity for control 0 and 1
DBOP_TIMPOL_23	AS3525_DBOP_BASE	0x04	Timing and polarity for control 1 and 2
DBOP_CTRL_REG	AS3525_DBOP_BASE	0x08	Control Register
DBOP_STAT_REG	AS3525_DBOP_BASE	0x0C	Status Register
DBOP_DOUT_REG	AS3525_DBOP_BASE	0x10	Data output register
DBOP_DIN_REG	AS3525_DBOP_BASE	0x14	Data input register

Timing & Polarity Control register TPC01

This register contains all information necessary for definition of control signals C0 and C1.

Table 68 DBOP control registers C0 and C1

Register bits	Name	type	function	default value	
31	c1_p0	r/w	polarity 1	0	
30	c1_p1	r/w	polarity 2	1	
29	c1_p2	r/w	polarity 3	0	
28:24	c1_t1	r/w	Time 1	0xA	
23:19	c1_t2	r/w	Time 2	0x14	
18	c1_ev	r/w	even enable	1	
17	c1_od	r/w	odd enable	1	
16	c1_qs	r/w	quiescent state	0	
15	c0_p0	r/w	polarity 1	0	
14	c0_p1	r/w	polarity 2	1	
13	c0_p2	r/w	polarity 3	0	
12:8	c0_t1	r/w	Time 1	0xA	
7:3	c0_t2	r/w	Time 2	0x14	
2	c0_ev	r/w	even enable	1	
1	c0_od	r/w	odd enable	1	
0	c0_qs	r/w	quiescent state	0	

Timing & Polarity Control register TPC23

This register contains all information necessary for definition of control signals C2 and C3.

Table 69 DBOP control registers C2 and C3

Register bits	Name	type	function	default value	
31	c3_p0	r/w	polarity 1	0	
30	c3_p1	r/w	polarity 2	1	
29	c3_p2	r/w	polarity 3	0	
28:24	c3_t1	r/w	Time 1	0xA	
23:19	c3_t2	r/w	Time 2	0x14	
18	c3_ev	r/w	even enable	1	
17	c3_od	r/w	odd enable	1	
16	c3_qs	r/w	quiescent state	0	
15	c2_p0	r/w	polarity 1	0	
14	c2_p1	r/w	polarity 2	1	
13	c2_p2	r/w	polarity 3	0	
12:8	c2_t1	r/w	Time 1	0xA	
7:3	c2_t2	r/w	Time 2	0x14	
2	c2_ev	r/w	even enable	1	
1	c2_od	r/w	odd enable	1	

0	c2_qs	r/w	quiescent state	0	
---	-------	-----	-----------------	---	--

Table 70 DBOP control register

Register bits	Name	type	function	default value	
31:22			<i>reserved</i>		
21	clr_pop_err	W	<i>Interrupt clear signal for pop error interrupt</i>	0	Writing 1 to this bit will clear the pop error interrupt. Writing 0 has no effect.
20	clr_push_err	W	<i>Interrupt clear signal for push error interrupt</i>	0	Writing 1 to this bit will clear the push error interrupt. Writing 0 has no effect.
19	en_data	r/w	<i>Tri-state enable for dout bus</i>	0	When set, dout bus is tri-stated when there is no active write on the bus.
18	sdv	r/w	<i>short count bit</i>	0	
17	res_even	r/w	reset to even cycle	0	when set, next output cycle is even
16	enw	r/w	enable write	0	0: write disabled 1: write enabled
15	strd	r/w	start read	0	
14:13	osm	r/w	output serial mode	0	0: single word out 1: 2 serial words out 2: 4 serial words out
12	ow	r/w	output data width	0	0: 8 bit data width 1: 16 bit data width
11	ir_enable	r/w	IR enable		0: all IR disabled 1: IR enabled
10	ir_po_err	r/w	IR enable on pop error	0	
9	ir_pu_err	r/w	IR enable on push error	0	
8	ir_e_en	r/w	IR enable set on push empty	0	
7	ir_ae_en	r/w	IR enable set on push almost empty	0	
6	ir_af_en	r/w	IR enable set on push almost full	0	
5	ir_f_en	r/w	IR enable set on push full	0	
4:0	rs_t	r/w	read strobe time	0x1F	

Notes:

- If the start read bit is issued by setting the strd bit to 1, a single read cycle is generated. After this read cycle the strd bit is set to 0 again by HW.
- If write is enabled by setting enw=1, no read is possible (strd does not cause any action).
- res_even is a reset bit that defines the start of even/odd generated signals. With res_even bit set, the next output cycle is an even cycle. Within this first even output cycle the res_even bit is set to 0 by the SW.
- sdv selects the counter length for the timing generator. Default is end value of 31. With sdv set to 1, the count end value is 15.
- en_data is used as a tri-state enable for the dout bus. When set as 1, dout is tri-stated if there is no active write on the bus. When this bit is set as 0, dout is bus is tri-stated only during the read cycle.

Table 71: DBOP status register

Register bits	Name	type	function	default value	
31:17			<i>reserved</i>		
16	rd_d_valid	r	read data valid		
15:12	Reserved				
11	fi_pu_err	f	push error		
10	fi_pu_e	r	push fifo empty		
9	fi_pu_ae	r	push fifo almost empty		
8	fi_pu_hf	r	push fifo half full		
7	fi_pu_af	r	push fifo almost full		
6	fi_pu_f	r	push fifo full		
5	fi_po_err	r	pop error		
4	fi_po_e	r	pop fifo empty		
3	fi_po_ae	r	pop fifo almost empty		
2	fi_po_hf	r	pop fifo half full		
1	fi_po_af	r	pop fifo almost full		
0	fi_po_f	r	pop fifo full		

The read data valid flag is cleared with every start read and set after read data strobe is issued (at read data valid 1 the data can be readout by SW).

Data Output Register

32 bit register for data output - the data written to this register are directly written to the FiFo. Depending on the serial output mode and the output data width, the effective register width of this register is 8, 16 or 32 bits.

Following table shows the effective data width for this register:

	osm=0	osm=1	osm=2
odw = 0	8 (byte0)	16 (byte0, byte1)	32 (byte0, byte1, byte2, byte3)
odw = 1	16 (HW0)	32 (HW0, HW1)	32 (HW0, HW1)

Depending on odw,

- either one, two or four bytes are transmitted serially for odw=0
 - or one or two half words (HW = 16 bits) are transmitted serially for odw=1.
- Note that for the 8 or 16 bit width only a part of the FiFo memory is used (to keep HW design simple).

Data Input Register

16 bit data input register that holds the value of the last read cycle. It is only valid if the data valid flag is set in the status register. No interrupt support is given, for data input the read data valid flag must be polled.

Dbop Integration Test Registers

The Dbop module is programmed to integration test mode using test control register. The integration test mode enables the user to access all the input/output pins through the APB bus interface.

Name	Offset	R/W	Reset Value	Description
DBOPITC	0x18	R/W	0x00000000	DBOP integration test control register
DBOPITIP1	0x1C	R/W	0x00	DBOP integration test input register
DBOPITOP1	0x20	R	0x0	DBOP integration test output register

Table 72 DBOPITC test register

Register bits	Name	type	function	default value	
31:1			<i>reserved</i>		
0	iten	r/w	Integration test enable		1 will enable the integration test mode

Table 73 DBOPITIP1 test register

Register bits	Name	type	function	default value	
31:5			<i>reserved</i>		
4	Testctrloen	r/w	Test value for out_enControl_n	0	The value on this bit will be reflected in out_enControl_n
3	Testdataoen	r/w	Test value for out_enData_n	0	The value on this bit will be reflected in out_enData_n
2	Testdmasreq	r/w	Test value for DMASREQ	0	The value on this bit will be reflected in DBOPDMACSREQ
1	Testdmabreq	r/w	Test value for DMABREQ	0	The value on this bit will be reflected in DBOPDMACBREQ
0	testirq	r/w	Test value for interrupt	0	The value on this bit will be reflected in DBOPIRQ

Table 74 DBOPITOP1 test register

Register bits	Name	type	function	default value	
31:1			<i>reserved</i>		
0	Testdmaclr	r	<i>DBOPDMACCLR test register.</i>	0	Read of this register will return the value on the DBOPDMACCLR input.

7.3.12.2 DBOP DMA Interface

This block generates all necessary interface signals with the DMAC primcell for DMA transfer. Following table gives a description of these signals.

DBOPDMASREQ	single word request, asserted by DBOP. This signal is asserted when there is at least one empty location in the FiFo
DBOPDMABREQ	burst DMA transfer request, asserted by DBOP. This signal is asserted when there are at least four empty locations in the FiFo
DBOPDMACLR	DMA request clear, asserted by DMA controller to clear the DMA request signals. If DMA burst transfer is requested, the clear signal is asserted during the transfer of the last data in the burst

Symmetric FiFo

The FiFo buffer has two main purposes:

- data buffering: the FiFo contains 128 locations with 32 bits for data storage: with according DMA transfer, the data can be transferred in short time without need for any SW control

- clock domain crossing: the FiFo is at the border of clock domain PCLK and DBOPCLK. All necessary synchronisation is done internally. All flags are available as push flags (synchronised to the push clock PCLK) and pop flags (synchronised to the POP clk, which is synchronous to DBOPCLK).

The FiFo controller gives empty, almost empty, half full, almost full and full flags which are available in two fashions: synchronous to the push or the pop side (pop_empty, push_empty, ...).

7.3.12.3 Control Signal Generator

Four independent control signals can be generated: typical application for such signals is a 80xx interface with RS, RD*, WR* and E or a 68xx interface with RS, E, RWN. The idea of this control signal generator is a general-purpose block, which generates any signal timing/waveform that is necessary to transfer the data to any specific display.

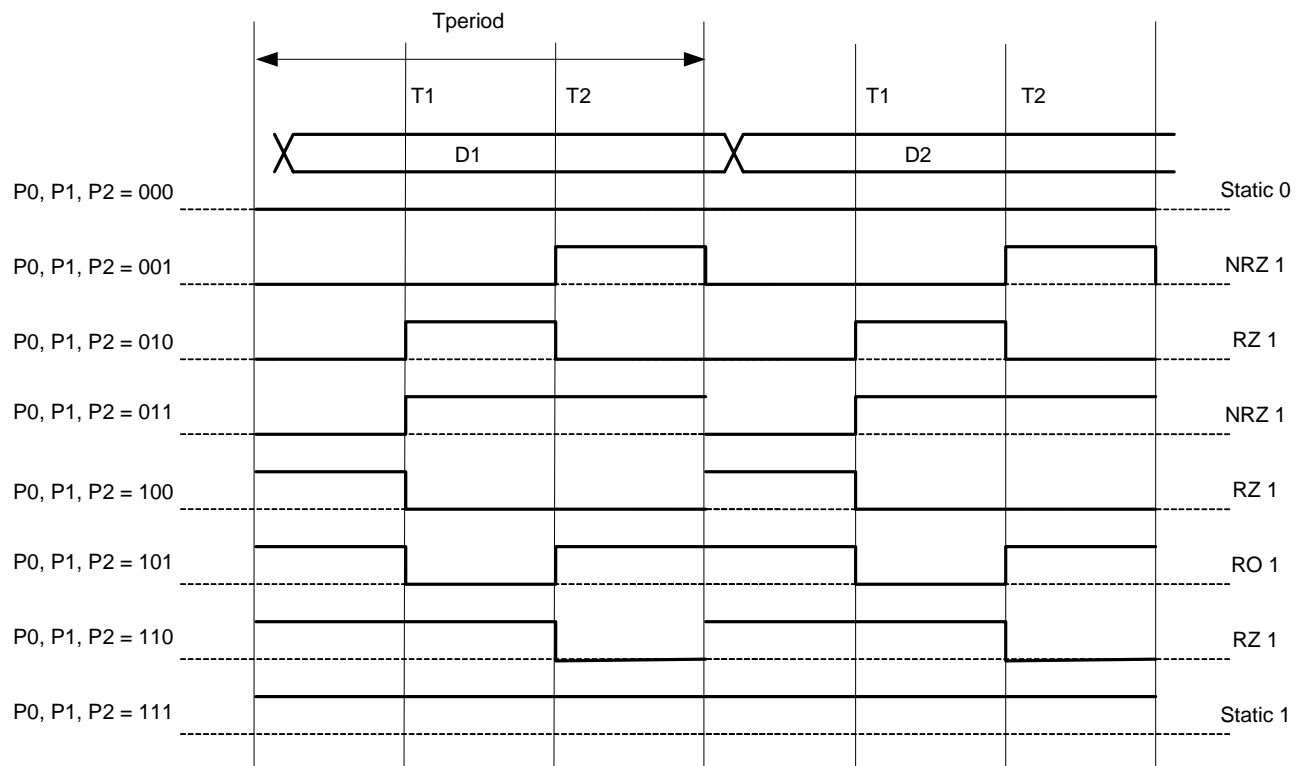
Polarity Parameters

For each of the control signals c0 - c3 following polarity parameters are defined:

- p0 ... polarity 0 at start of cycle
- p1 ... polarity 1 following polarity 0
- p2 ... polarity 2 following polarity 1

Following figure shows an example for timing waveforms defined with these control parameters.

Figure 34 DBOP timing waveform



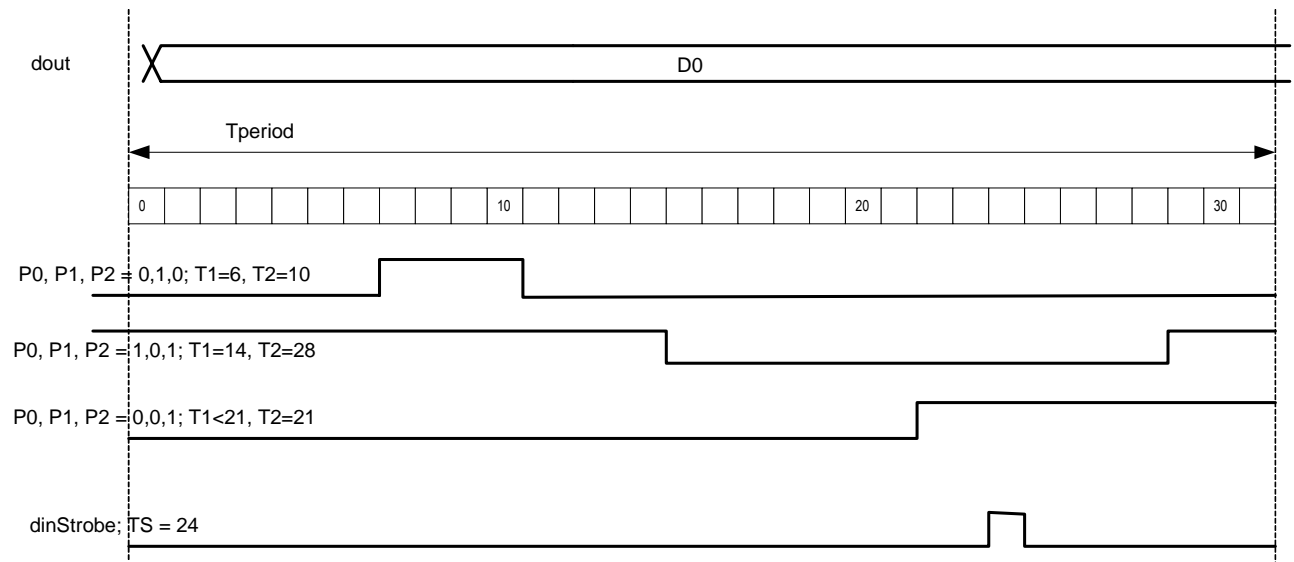
Quiescent State

The control signals are only generated with each data output cycle (data output cycles are generated as long as the FiFo is not empty). With FiFo empty and in the absence of a read cycle, all control signals are set to a quiescent state. For each control signal, this quiescent state can be programmed either to 1 or 0.

Timing Parameters

Also the time points for change from p0-p1 (t1) and p1-p2 (t2) can be programmed. For these programmable timing parameters each data output cycle is divided into 32 steps. Both T1 and T2 can be in the range of 0 to 31. For short count bit set (sdc bit in control register), T1 and T2 must be in the range of 0 to 15.

Figure 35 DBOP timing parameters



Even/odd generated signals

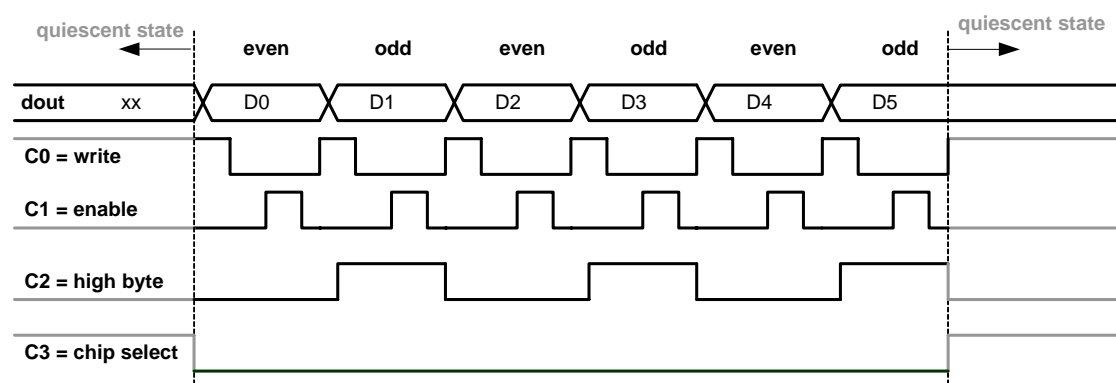
In addition to these timing parameters, signals can also be programmed to go active only during the even (0, 2, 4, ...) or the odd cycles (1, 3, 5, ...). For example the indication of even/odd bytes for the case that two bytes in serial are transmitted can be used.

Two control bits are used to set this signal behaviour:

evenEnable, oddEnable. For default, both are set to 1 and both cycles will appear. For cases where even or odd should be omitted, set according evenEnable/oddEnable to 0. With both set to 0, no cycles will appear at the output!

Following example illustrates a typical waveform for an output interface where the evenEnable=0 and oddEnable=1 for control signal C2. In this example, C2 is an active high indication of the high byte (D1, D3, D5, ...).

Figure 36 DBOP even/odd generated signals waveforms



Normally the even/odd cycles are toggling all the time, also if there are quiescent states in between. To have the possibility of defining a new start, reset of this even/odd counter can be done via the res_even bit inside of the control register. With res_even set, the counter starts with an even cycle. Res_even is then set to 0 again by SW at the new start.

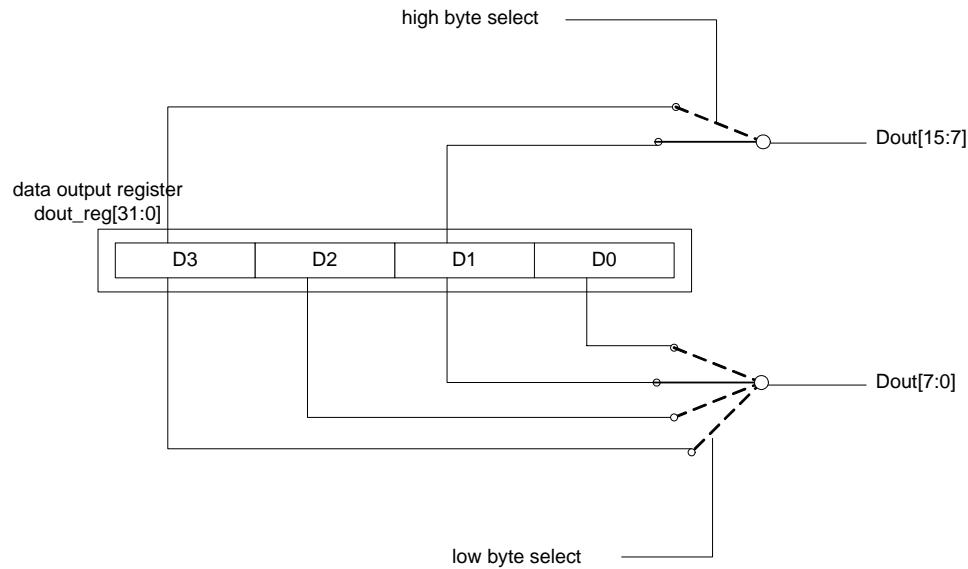
Input strobe generation

In addition to the generation of the control signals, also an input strobe signal `dinStrobe` is generated within the control signal generator. With active `dinStrobe`, the input data are strobed with rising clock edge (see `DIN` register).

7.3.12.4 Data Output Register

The data output register handles different output widths and serial output mode (selected by parameters `osm` and `odw`). Following diagram illustrates the function of the data output register.

Table 75 DBOP data output register



The control part generates the according signals for low byte select and high byte select.

7.3.12.5 DIN register

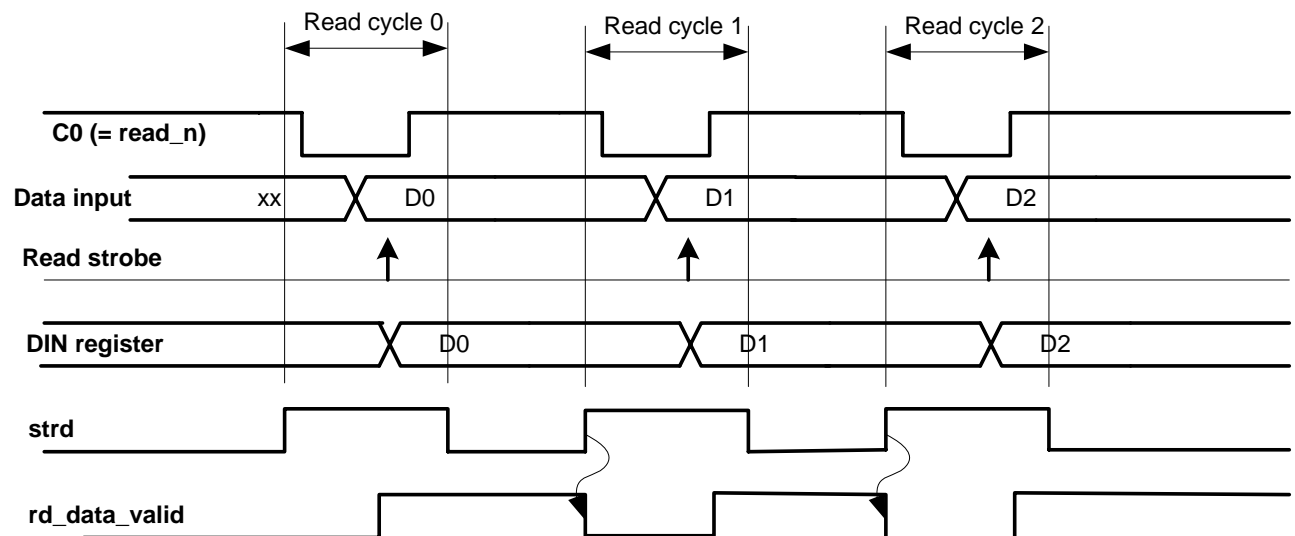
With the `dinStrobe`, data are written to the DIN register. This gives a simple mechanism, in which for example the status data can be read from a LCD display interface.

To do a data read, first the START READ (`strd`) bit is programmed into the control register. With START READ, the control signal generator starts to generate one cycle with the according control signals. Data are strobed by the programmed strobe time into the `din` register. After the cycle is completed the HW resets the `strd` bit to 0. With set of the `strd` bit, the `rd_data_valid` bit is also reseted.

The SW just has to poll the `rd_data_valid` bit, when the bit gets set the input data can be read from the `din` register. After read cycle, the control signal generator returns to the quiescent state.

Following timing diagram shows an example of three read cycles.

Figure 37 DBOP read cycle example



Note: Be aware that the read cycle should only be activated when there is no active write cycle (FiFo is empty). Otherwise the results of such action get unpredictable.

For any read cycle, the write enable bit must be set to 0 (write disabled).

start read (<code>strd</code>)	write enable (<code>wen</code>)	FiFo empty Status	DBOP function
0	0	0	quiescent
0	0	1	quiescent
0	1	0	valid write
0	1	1	quiescent
1	0	0	valid read
1	0	1	valid read
1	1	0	valid write
1	1	1	quiescent

7.3.12.6 Interrupt Generator

Depending on the FiFo Status, an interrupt request can be generated. The conditions that cause an interrupt are set within the control register.

The interrupt output `DBOPIRQ` is active high.

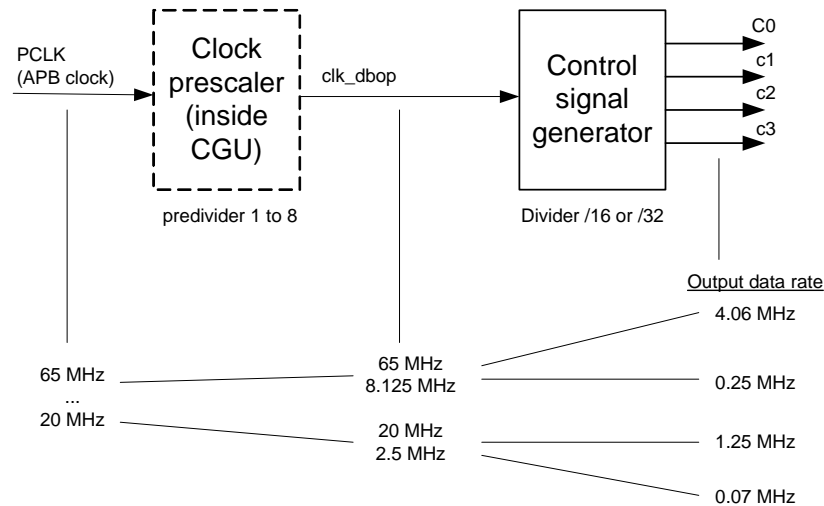
7.3.12.7 Clock frequencies

The input clock is directly taken from the PCLK clock. A programmable prescaler is implemented within the CGU. Input clock for the prescaler is in the range of 20 - 60 MHz.

Programmable division factors for the prescaler in the range of 1 to 8. Input clock to the module is in the range of 2.5 to 60 MHz.

Within the module the control signal generator is doing a division by 16 or 32 (selectable). So the effective output data rates are in the range of 1.25 to 4 MHz for maximum performance and can be scaled down in the range of 0.07 to 0.25 MHz.

Figure 38 DBOP data rate



Time constraining for the module should be done with 65 MHz, if there is a demand the time constraints for the output pads can be reduced.

7.3.12.8 Interface with GPIO PINs / additional PINs

For the SW, the usage of either ARM primecell GPIO ports or DBOP port can be configured with the GPIOAFSEL registers.

Following IO ports are used for the basic 8 bit interface

xpc[7:0] for **dout[7:0]** and **din[7:0]**
xpb[3:0] for {**C3, C2, C1, C0**}

Following IO ports are used for the optional 16 bit interface

xpb[7:4] for **dout[11:8]** and **din[11:8]**
dbop_d[15:12] for **dout[15:12]** and **din[15:12]**

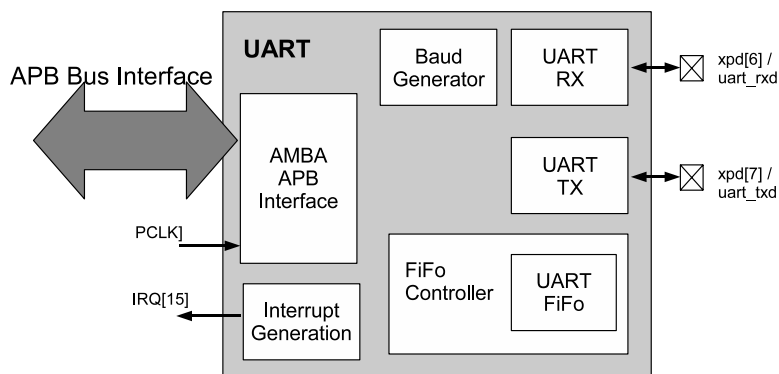
7.3.13 UART – Universal Asynchronous Receiver/Transmitter

The UART is a Universal Asynchronous Receiver Transmitter compatible to industry standard 16550 with APB slave interface. This UART provides FIFO based transmitter-receiver pair with programmable Baud-rate, character widths and parity encoding. Status and error information is also provided by the design. Maximum baud rate supported by this UART is 1Mbps for input clock of 16MHz.

Features

- Compliance to Industry Standard 16550 UART.
- APB slave interface.
- Separate 16x8 Transmit and 16x11 Receive FIFOs.
- Programmable FIFO disabling for 1-byte depth.
- Programmable Baud rate Generator.
- Independent masking for transmit, receive and Error interrupts.
- False Start bit detection.
- Line Break generation and detection.
- Fully programmable serial interface characteristics:
 - Supports 5,6,7 and 8 bits.
 - even, odd, stick and no parity generation and detection.
 - 1, 11/2 and 2 stop bits.

Figure 39 UART Block Diagram



7.3.13.1 UART Baud Generator and Clock Divider Settings

The internal baud generator module generates the required baud clock using the divisor register value. To achieve correct synchronization incoming bits are over sampled by a factor of 16x. Software should program the divisor value by which the system clock has to be divided to achieve the required baud clock frequency.

The equation to calculate baud divisor is

$$\text{Baud Divisor} = (\text{input frequency}) \div (\text{baud rate} \times 16)$$

Important: the internal clock divider must be set to a value of 2 or higher. Setting the value to 1 (no division) is not allowed!

For example, for 16 MHz PCLK clock following table gives the list of settings for different BAUD rates.

Baud Rate	Required Baud clock frequency	Decimal divisor value
50	800	20000
75	1200	13333
110	1760	9091
134.5	2152	7435
150	2400	6667
300	4800	3333
600	9600	1667
1200	19200	833
1800	28800	556
2000	32000	500
4800	76800	208
7200	115200	139
9600	153600	104
19200	307200	52
38400	614400	26
56000	896000	18
128000	2048000	8
250000	4000000	4
300000	4800000	3
500000	8000000	2

7.3.13.2 UART Register Descriptions

All registers are 8 bits wide. Registers are selected based on the address and the value of Divisor Latch Select (DLS) bit in the line control register (UART_LNCTR_REG).

Table 76 UART registers

Register Name	Base Address	Offset	DLS	Note
UART_DATA_REG	AS3525_UART_BASE	0x00	0	Data register (Rx / Tx)
UART_DLO_REG	AS3525_UART_BASE	0x00	1	Clock divider lower byte register
UART_DHI_REG	AS3525_UART_BASE	0x04	1	Clock divider higher byte register
UART_INTEN_REG	AS3525_UART_BASE	0x04	0	Interrupt enable register
UART_INTSTATUS_REG	AS3525_UART_BASE	0x08		Interrupt status register
UART_FCTL_REG	AS3525_UART_BASE	0x0C		FIFO control register
UART_LNCTL_REG	AS3525_UART_BASE	0x10		Line control register
UART_LNSTATUS_REG	AS3525_UART_BASE	0x14		Line status register

Table 77 UART Data Register

Name		Base		Default
UART_DATA_REG		AS3525_UART_BASE		0xC8110000
Offset: 0x00 DLS bit set to 0		Data register		
		Holds the data byte received or the data byte to be transmitted respectively. RX: This register holds the received data byte. In FIFO mode, this byte will be the top byte of the 16-byte FIFO. If FIFO mode is disabled, it will be the content of the receive shift register after a byte has been shifted in. A read to the address value 3b000 with Divisor Latch Select (DLS) bit 1'b0 will give the content of this register. If a character less than 8 bits is received, extra zero bits will be padded to this register. TX: This register contains the data to be transmitted. This register will be written by the processor. In FIFO mode, a write to this address will write data into the FIFO. In FIFO mode, top byte of txFIFO is passed on to transmitter shift register. If FIFO is disabled, a write to the address 3'b000 with DLS bit 1'b0 will write into this register. If FIFO is disabled, this register will be overwritten with new data. If FIFO is disabled, data in this register will be passed on to transmitter shift register.		
Bit	Bit Name	Default	Access	Bit Description
7:0	UART_DATA_REG	00000000	RW	Holds the data byte received or the data byte to be transmitted respectively.

Table 78 UART Clock divider lower byte register

Name		Base		Default
UART_DLO_REG		AS3525_UART_BASE		0xC8110000
Offset: 0x00 DLS set to 1		Clock divider lower byte register		
		This register holds the clock divider value (decimal) which is used to derive the baud clock. To achieve a desired baud rate, the baud clock should be 16-times higher than the baud rate. To derive this clock the ratio of the system clock and the required baud clock should be calculated and the value should be programmed into the clock divider lower byte and higher byte registers (UART_DLO_REG and UART_DHI_REG). Clock divider value = (input frequency) / (baud rate x 16)		
Bit	Bit Name	Default	Access	Bit Description
7:0	UART_DLO_REG	00000000	W	This register holds the lower byte of the decimal divisor value to calculate baud clock.

Table 79 UART Clock divider higher byte register

Name		Base		Default
UART_DHI_REG		AS3525_UART_BASE		0xC8110000
Offset: 0x04 DLS set to 1		Clock divider higher byte register		
This register holds the higher byte of the decimal divisor value to calculate baud clock.				
Bit	Bit Name	Default	Access	Bit Description
7:0	UART_DHI_REG	00000000	W	This register holds the higher byte of the decimal divisor value to calculate baud clock.

Table 80 UART Interrupt enable register

Name		Base		Default
UART_INTEN_REG		AS3525_UART_BASE		0xC8110000
Offset: 0x04 DLS set to 0		Interrupt enable register		
This register will enable the three types of interrupts. Setting the bits of this register to logic 1 enables the selected interrupt.				
Bit	Bit Name	Default	Access	Bit Description
7:3	Reserved	00000		These bits are reserved for future use.
2	InStatusEn	0	W	This bit enables the "rxLineStatus" interrupt.
1	txDataEmptyEn	0	W	This bit enables the "txDataEmpty" interrupt.
0	rxDataRdyEn	0	W	This bit enables the "rxDataRdy" interrupt.

Table 81 UART Interrupt status register

Name		Base		Default
UART_INTSTATUS_REG		AS3525_UART_BASE		0xC8110000
Offset: 0x08		Interrupt status register		
This register will give the status of the interrupt. Depending on the enabled interrupt bits in the interrupt enable register (UART_INTEN_REG) different interrupts will be generated and the status will be updated in this register. On sensing an interrupt the software should read this register to get the status of the interrupt.				
Bit	Bit Name	Default	Access	Bit Description
7:3	Reserved	00000		These bits are reserved for future use.
2	rxLineStatus	0	RU	This interrupt is set on any error condition on the receive line. There are four types of error possibilities. These error conditions are set in bits 4:1 of the line status register (UART_LNSTATUS_REG). This bit is reset on a read of the line status register (UART_LNSTATUS_REG).
1	txDataEmpty	0	RU	In FIFO mode this bit is set when txFIFO is empty. If FIFO mode is disabled this interrupt is set if the data register (UART_DATA_REG (Tx)) is empty. This bit will be reset on write to the data register (UART_DATA_REG (Tx)).

Name		Base		Default
UART_INTSTATUS_REG		AS3525_UART_BASE		0xC8110000
Offset: 0x08		Interrupt status register		
		This register will give the status of the interrupt. Depending on the enabled interrupt bits in the interrupt enable register (UART_INTEN_REG) different interrupts will be generated and the status will be updated in this register. On sensing an interrupt the software should read this register to get the status of the interrupt.		
Bit	Bit Name	Default	Access	Bit Description
0	rxDataRdy	0	RU	This is the data ready interrupt. In FIFO mode this bit is set when the number of bytes in the FIFO reaches the trigger level. This bit is also set in FIFO mode when a timeout occurs in the reception, i.e. Rx line idle for more than 4 char times and there is data in the FIFO. If FIFO mode is disabled this bit is set when one full byte is received. This bit is cleared when the FIFO is empty or the data register (UART_DATA_REG (Rx)) is read.

Table 82 UART FIFO control register

Name		Base		Default
UART_FCTL_REG		AS3525_UART_BASE		0xC8110000
Offset: 0x0C		FIFO control register		
		This register holds the control parameters to control receive (rx) and transmit (tx) FIFO. The parameters will enable the FIFOs, set the receiver trigger level, etc.		
Bit	Bit Name	Default	Access	Bit Description
7:5	Reserved	000		These bits are reserved for future use.
4:3	trigLevel	00	W	These two bits will select the trigger level for the rxFIFO. Once the FIFO pointer reaches this level rxDataRdy interrupt is asserted. 00: 01 byte 01: 04 bytes 10: 08 bytes 11: 14 bytes
2	rxFIFORst	0	W	This bit will reset rxFIFO pointers and clear all the bytes in the rxFIFO. This bit is self clearing, i.e. after resetting FIFO this bit will become zero.
1	txFIFORst	0	W	This bit will reset txFIFO pointers and clear all the bytes in the txFIFO. This bit is self clearing, i.e. after resetting FIFO this bit will become zero.
0	FIFOModeEn	0	W	This bit will enable the FIFO mode. By default this will be reset.

Table 83 UART Line control register

Name		Base		Default
UART_LNCTL_REG		AS3525_UART_BASE		0xC8110000
Offset: 0x10		Line control register		
		This register controls the asynchronous data. Parameters in this register set the transmit and receive character format, the data length, parity bit, stop bit length, etc.		
Bit	Bit Name	Default	Access	Bit Description

Name		Base		Default
UART_LNCTL_REG		AS3525_UART_BASE		0xC8110000
Offset: 0x10		Line control register		
		This register controls the asynchronous data. Parameters in this register set the transmit and receive character format, the data length, parity bit, stop bit length, etc.		
Bit	Bit Name	Default	Access	Bit Description
7	DLS	0	RW	Divisor Latch Select Bit. This bit is used to select Divisor Latch registers. 1: Divisor Latch registers can be accessed. To access other registers this bit should be zero.
6	breakCntl	0	RW	1: Will cause a break condition to be transmitted, i.e. TX line is pulled low. Normal transmission can be recovered once this bit is cleared. Transmitter logic can be used as break timer.
5	stickParity	0	RW	1: If this bit is set, along with parityEn a fixed parity bit will be transmitted and expected. This fixed parity bit will be the complement of the bit 4.
4	evenParity	0	RW	0: Data byte along with parity bit will be sent and expected to be odd parity. 1: Data byte along with the parity bit will be even parity.
3	parityEn	0	RW	Enable parity bit. 0: Data byte will be transmitted and received without parity bit. 1: Will enable the parity bit at the end of the data byte.
2	stopBits	0	RW	This bit decides how many stop bits should be sent along with a data byte. 0: 1 stop bit transmitted 1: 2 stop bits transmitted if 6, 7 or 8 bit wordLenSel 1: 1.5 stop bits transmitted if 5 bit wordLenSel Receiver will always check for one stop bit.
1:0	wordLenSel	00	RW	These bits will select the number of data bits to be transmitted and received. 00: 5 bits 01: 6 bits 10: 7 bits 11: 8 bits

Table 84 UART Line status register

Name		Base		Default
UART_LNSTATUS_REG		AS3525_UART_BASE		0xC8110000
Offset: 0x14		Line status register		
		This register holds the status information of the data transfer. It gives information about the received data.		
Bit	Bit Name	Default	Access	Bit Description
7	FIFODataError	0	RU	1: This bit is set when any data character in the FIFO has parity or framing error or break condition. 0: This bit is reset once the line status register (LINE_STATUS_REG) is read.
6	Reserved	0		This bit is reserved for future use.
5	txHoldRegEmpty	0	RU	This bit is associated with the txDataEmpty interrupt. 1: Indicates that there is no data in txFIFO or the data register (UART_DATA_REG (Tx)). This bit is set once the data is shifted out. 0: This bit is reset once data is written into the data register (UART_DATA_REG (Tx)).

Name		Base		Default
UART_LNSTATUS_REG		AS3525_UART_BASE		0xC8110000
Offset: 0x14		Line status register		
		This register holds the status information of the data transfer. It gives information about the received data.		
Bit	Bit Name	Default	Access	Bit Description
4	breakDetect	0	RU	This bit is associated with the rxLineStatus interrupt. 1: This bit is set if a break condition is detected, i.e. if a zero is detected on receive line for one full character duration. This condition will always cause framingError condition.
3	framingError	0	RU	This bit is associated with the rxLineStatus interrupt. 1: Indicates that the first stop bit of the received data byte is not valid, i.e. a zero is received in place of a one. This error condition causes the receiver to re-synchronize.
2	parityError	0	RU	This bit is associated with rxLineStatus interrupt. 1: Indicates that parity of the received data byte is different from the expected parity as set in the line control register (UART_LNCTL_REG).
1	overrunError	0	RU	This bit is associated with the rxLineStatus interrupt. 1: Indicates an error condition which occurs when one character is fully assembled by the receiver but there is no space to write that byte. In FIFO mode, the content of the FIFO remains unaffected. If FIFO is disabled, the data register (UART_DATA_REG (Rx)) will be overwritten with the new data.
0	dataReady	0	RU	0: There is no data available. 1: There are one or more data bytes ready to be read by the processor.

7.3.14 CGU - Clock generation unit

The clock generation unit generates all clocks for all modules on the chip.

- Hardware programmable selection of clock input either from internal oscillator or external clock input
- Two on-chip PLL circuits for generation of internal clocks
- Programmable divider for generation of ARM922T clock (fclk)
- Programmable divider for generation of AMBA bus clock (pclk)
- Support of ARM922T fastbus, synchronous and asynchronous mode
- Included clock gating registers to optimise power consumption
- Three clock busses at input of all dividers (clk_main, clk_a, clk_b) for utmost flexibility
- Spike-free switches between divider clock inputs (clk_main, clk_a, clk_b)
- Independent clock dividers for peripheral modules

System startup

At startup, the system is configured in a way to run without the need of PLLs. PLLs are disabled and clk_main is used for generation of the clock for the ARM controller (fclk) and ARM AMBA bus (pclk). Within the clock gating register, only the clocks that are really necessary for initial boot are enabled: clock for ARM, for the internal 1-TRAM memory, for the internal ROM and for the external memory. So the boot loader can start either from internal ROM or from the external MPMC.

Clock switching

The system can be reconfigured to run from PLLA or PLLB. Because the 1-TRAM is a dynamic memory that must always get the clock for the internal memory refresh, this switching must be implemented in a way that the PCLK clock is never stopped. The easiest solution to fulfil this requirement is always switching back to clk_main for reconfiguring the PLLs. After reprogramming of the PLLs it must be checked that the PLLs are locked before the system is switched onto the PLL output frequency.

ARM922T and AMBA bus clock

The ARM processor can run in different modes. These modes can be set within the iA, nF bits of the ARM922T CP15 (coprocessor) register 1.

Fastbus mode

This is the default mode after startup. The ARM922T input clock frequency is the same as the AHB/APB bus frequency.

Synchronous mode

Within the synchronous mode, the ARM922T frequency must be higher than the AHB/APB bus frequency and it must be an integer multiple of the AHB/APB bus frequency. Advantage of the synchronous mode is a higher performance because of less synchronisation effort between the ARM922T and the AHB bus.

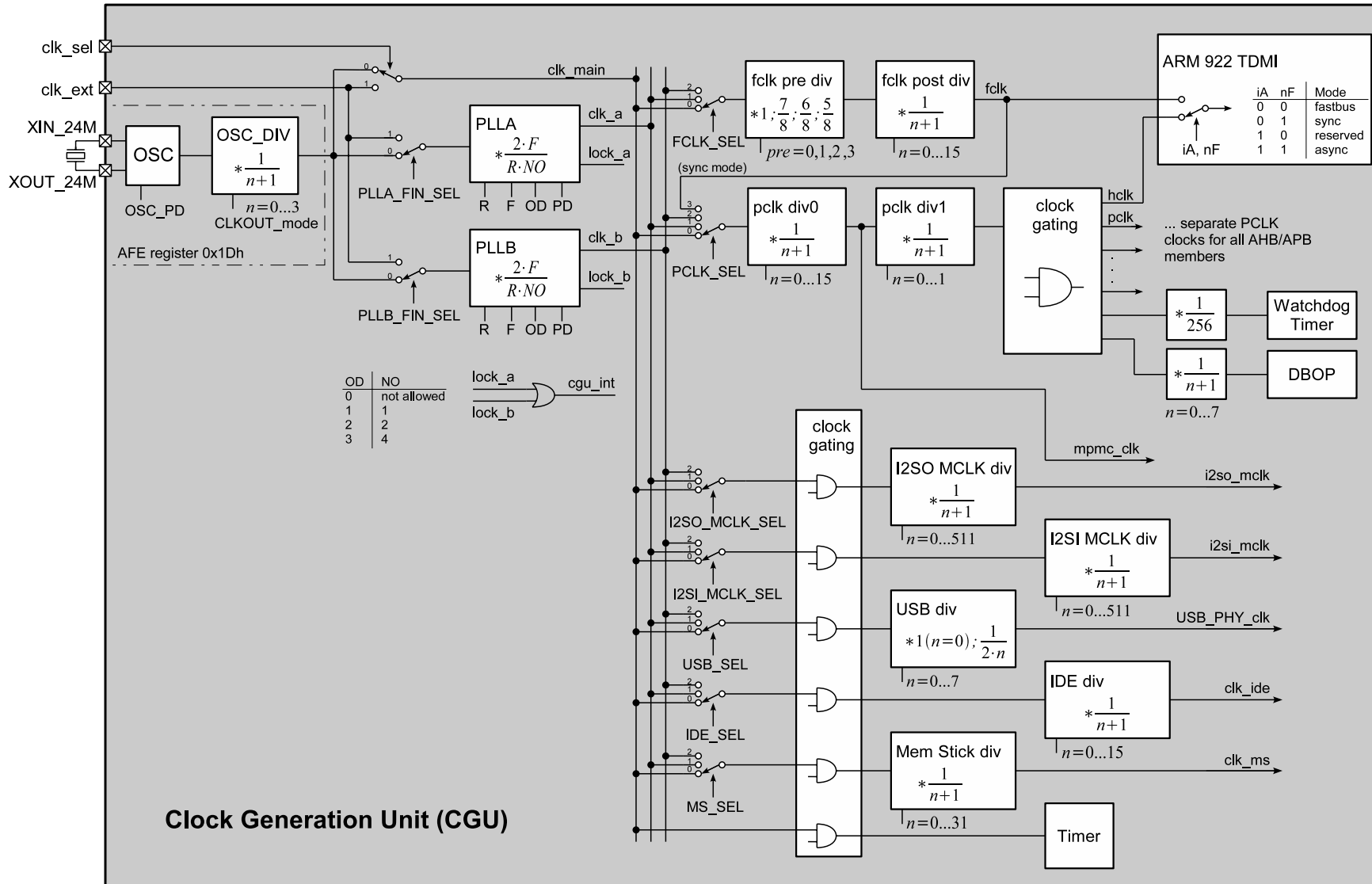
Asynchronous mode

Within asynchronous mode, the ARM922T frequency must be higher than the AHB bus frequency, but it can be completely asynchronous. Disadvantage is a slightly reduced performance of the system because of the higher effort for synchronisation between the ARM922T and AHB clock domains.

Block Diagram

The block diagram on the following page gives a detailed view of the structure of the CGU.

Figure 40 Clock generation unit block diagram



7.3.14.1 Input clock selection

Input clock is either coming directly from the clk_ext pin or from the internal 24MHz crystal oscillator. Usage of external pin or internal oscillator is selected by the dedicated pin clk_sel.

Table 85 Clock Selection

Clk_sel	Description
0	clk_main = clk_int
1	clk_main = clk_ext

Three main internal clocks are generated as source for all clock dividers for all modules.

- clk_a, clk_b: the outputs of two independently configurable PLLs.
- clk_main: this clock is always available without the need of configuring any internal PLL

An important constraint of the system is the memory type of the RAM: the internal 1-TRAM needs refresh cycles, with the following important restrictions:

- the free running AHB/APB clock (PCLK) for the 1-TRAM must always be present: also for changing frequency settings, this must be taken into account (e.g. switch from clk_main to PLL output only after PLL is settled (start-up time)).
- the minimum frequency for the free running AHB/APB clock of the 1-TRAM is 20 MHz.

Important note: Switching between the different frequencies must be done in a pre-defined order using the CGU-driver software.

7.3.14.2 Clock Gating

For all peripheral clock domains clock gating is possible. Clock gating can be enabled/disabled by the corresponding bits within the clock control register CGU_PERI. After start-up, only the modules, which are necessary for booting the device, are enabled. These enabled peripherals are

- 1-TRAM controller and 1-TRAM macros
- external memory interface MPMC
- internal ROM
- vectored IR controller (VIC)

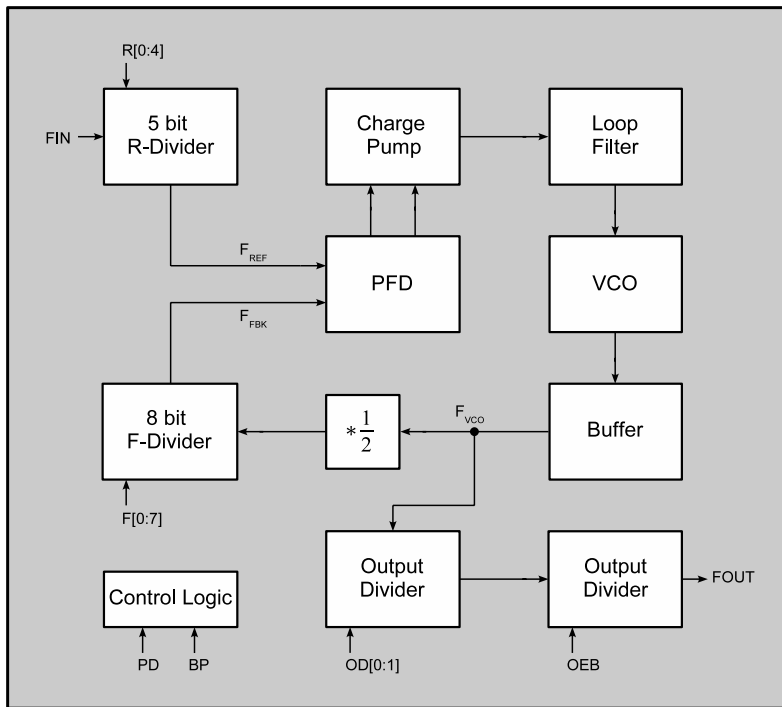
7.3.14.3 Interrupt generation

An interrupt can be generated after the PLL is locked.

7.3.14.4 PLL description

- runs on single power supply at 1.2 V (special power PADs are used within the chip layout to guarantee lowest jitter: vddapll, vssapll which are connected to vdd_core, vss_core within the BGA substrate)
- fully integrated with internal loop filter
- VCO operating frequency from 200 - 400 MHz
- phase comparator input frequency from 2 - 8 MHz
- low power dissipation of typical 2.5 mW

Figure 41 PLL block diagram



Programming and calculation of the PLL output frequency

The output frequency is controlled by three programmable dividers within the PLL. These dividers are: the input divider NR, the feedback divider NF and the output divider NO. The divider settings are programmed by bits within CGU_PLLA, CGU_PLLB registers. The table on the following page gives the detailed formulas for setting the PLL output frequency.

Table 86 Setting the PLL output frequency

Input divider NR:

$$NR = 16 \cdot R4 + 8 \cdot R3 + 4 \cdot R2 + 2 \cdot R1 + R0$$

Feedback divider NF:

$$NF = 2 \cdot (128 \cdot F7 + 64 \cdot F6 + 32 \cdot F5 + 16 \cdot F4 + 8 \cdot F3 + 4 \cdot F2 + 2 \cdot F1 + F0)$$

Output divider NO:

Output divider setting	NO (output divider value)
OD0=0, OD1=0	Not allowed
OD0=1, OD1=0	1
OD0=0, OD1=1	2
OD0=1, OD1=1	4

The PLL output frequency is calculated with following formula

$$\text{Output frequency} \quad f_{out} = \frac{NF}{NR \cdot NO} \cdot f_{in}$$

$$\text{Comparison frequency} \quad f_{ref} = \frac{f_{in}}{NR}$$

$$\text{VCO frequency} \quad f_{vco} = \frac{NF}{NR} \cdot f_{in}$$

Following constraints must be followed for the comparison and output frequency:

$$2 \text{ MHz} \leq f_{ref} \leq 8 \text{ MHz}$$

$$200 \text{ MHz} \leq f_{VCO} \leq 400 \text{ MHz}$$

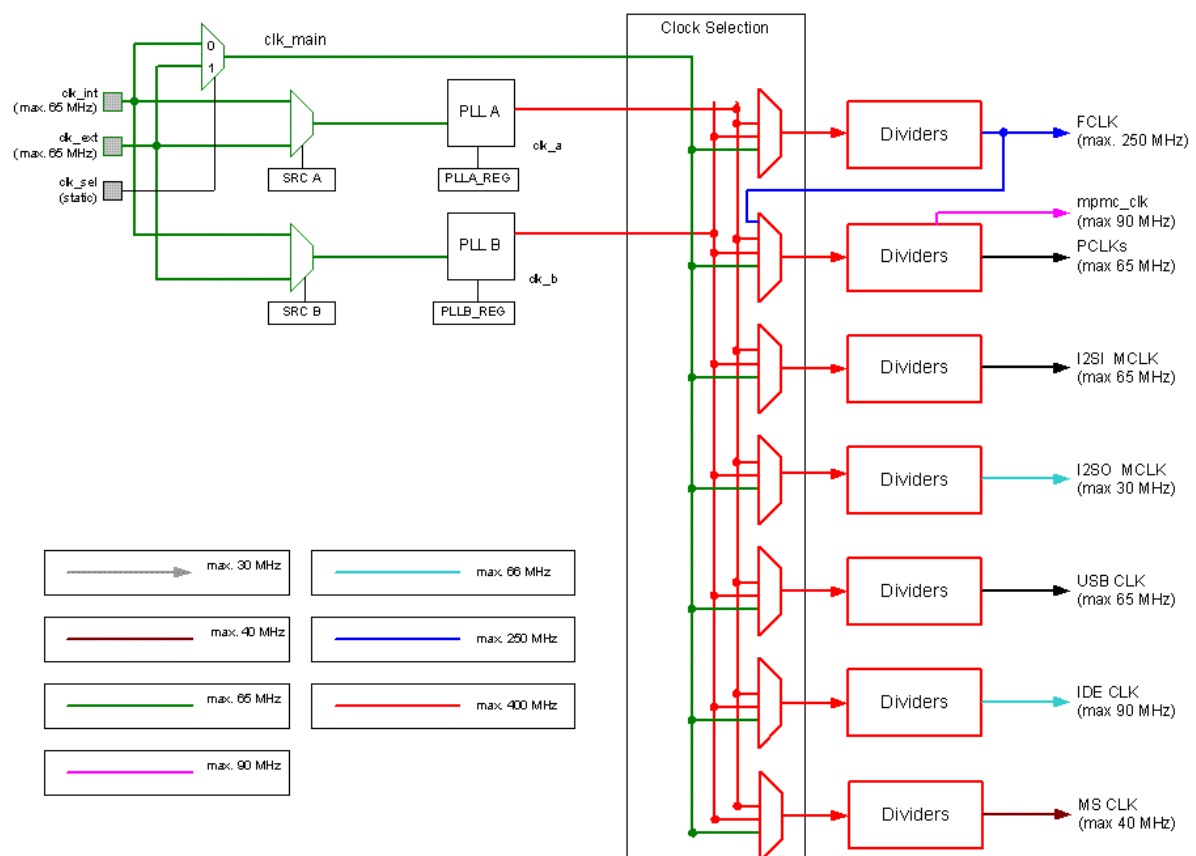
Clock Constraining

Different clocks are constraint to different maximum clock speeds. As the clock frequencies can be set by software, care must be taken not to exceed these maximum clock frequencies.

Table 879 Clock Constraining

Clock Domain	Max. Freq. [MHz]	Description
FCLK	250	Processor Clock
PCLK	65	AHB/APB bus clock
MPMC_CLK	90	MPMC (external memory interface) clock
I2SI MCLK	65	I2S input interface master clock
I2SO MCLK	30	I2S output interface master clock
USB CLK	48	USB interface clock
IDE CLK	90	IDE interface clock
MS CLK	40	Memory Stick Interface clock

Figure 42 Clock Generation Unit Block Diagram



7.3.14.5 Clock Generation Unit Registers

Table 20 CGU Registers

Register Name	Base Address	Offset	Note
CGU_PLLA	AS3525_CGU_BASE	0x00	PLLA configuration register
CGU_PLLB	AS3525_CGU_BASE	0x04	PLLB configuration register
CGU_PLLASUP	AS3525_CGU_BASE	0x08	PLLA supervisor register
CGU_PLLBSUP	AS3525_CGU_BASE	0x0C	PLLB supervisor register
CGU_PROC	AS3525_CGU_BASE	0x10	processor clock control register
CGU_PERI	AS3525_CGU_BASE	0x14	peripheral clock control register
CGU_AUDIO	AS3525_CGU_BASE	0x18	audio clock control register
CGU_USB	AS3525_CGU_BASE	0x1C	USB clock control register
CGU_INTCTRL	AS3525_CGU_BASE	0x20	CGU interrupt mask and enable register
CGU_IRQ	AS3525_CGU_BASE	0x24	interrupt clear and lock status register
CGU_COUNTA	AS3525_CGU_BASE	0x28	PLLA lock counter register
CGU_COUNTB	AS3525_CGU_BASE	0x2C	PLLB lock counter register
CGU_IDE	AS3525_CGU_BASE	0x30	IDE clock control register
CGU_MS	AS3525_CGU_BASE	0x34	Memory Stick clock control register
CGU_DBOP	AS3525_CGU_BASE	0x38	DBOP clock controller register

Table 21 CGU_PLLA Register

Name		Base		Default
CGU_PLLA		AS3525_CGU_BASE		0x00
Offset0x00		PLL A Configuration Register		
The CGU_PLLA register is used to configure the PLL A				
Bit	Bit Name	Default	Access	Bit Description
14:13	PLLA_OD [1:0]	0x00	R/W	PLLA output divider control, 2 bit
12:8	PLLA_R [4:0]	0x00	R/W	PLLA input divider control, 5-bit
7:0	PLLA_F [7:0]	0x00	R/W	PLLA feedback divider control, 8 bit

Table 22 CGU_PLLB Register

Name		Base		Default
CGU_PLLB		AS3525_CGU_BASE		0x00
Offset0x04		PLL B Configuration Register		
The CGU_PLLB register is used to configure the PLL B				
Bit	Bit Name	Default	Access	Bit Description
14:13	PLLB_OD [1:0]	0x00	R/W	PLLB output divider control, 2 bit
12:8	PLLB_R [4:0]	0x00	R/W	PLLB input divider control, 5-bit
7:0	PLLB_F [7:0]	0x00	R/W	PLLB feedback divider control, 8 bit

Table 23 PLLA Supervisor Register

Name		Base		Default
CGU_PLLASUP		AS3525_CGU_BASE		0x08
Offset0x08		PLLA Supervisor Register		
		This register contains control bits of the PLLA which are used very rarely, but have major impact on the functionality of the system.		
Bit	Bit Name	Default	Access	Bit Description
3	PLLA_PD	0x00	R/W	PLLA power down if SET
2	PLLA_OEB	0x00	R/W	PLLA output enable, active low
1	PLLA_BP	0x00	R/W	PLLA bypass if SET
0	PLLA_FIN_SEL	0x00	R/W	PLLA clock source select 0: clk_int [PAD] 1: clk_ext [PAD]

Table 24 PLBB Supervisor Register

Name		Base		Default
CGU_PLLBSUP		AS3525_CGU_BASE		0x08
Offset0x0c		PLLB Supervisor Register		
		This register contains control bits of the PLLB which are used very rarely, but have major impact on the functionality of the system.		
Bit	Bit Name	Default	Access	Bit Description
3	PLLB_PD	0x00	R/W	PLLB power down if SET
2	PLLB_OEB	0x00	R/W	PLLB output enable, active low
1	PLLB_BP	0x00	R/W	PLLB bypass if SET
0	PLLB_FIN_SEL	0x00	R/W	PLLB clock source select 0: clk_int [PAD] 1: clk_ext [PAD]

Table 25 Processor Clock Controller Register

Name		Base		Default
CGU_PROC		AS3525_CGU_BASE		0x00
Offset0x10		Processor Clock Controller Register		
		This register contains control bits for ARM processor clock generation => FCLK.		
Bit	Bit Name	Default	Access	Bit Description
7:4	FCLK_POSTDIV_SEL [3:0]	0x00	R/W	post divider division ratio => post_div = 1/(fclk_postdiv_sel + 1)
3:2	FCLK_PREDIV_SEL [1:0]	0x00	R/W	pre divider (fractional) division ratio 00: pre_div = 1/1 01: pre_div = 7/8 10: pre_div = 6/8 11: pre_div = 5/8
1:0	FCLK_SEL[1:0]	0x00	R/W	clkin select 00: clk_main 01: plla_fout 10: pll_b_fout 11: reserved (clk_main)

NOTE: $f(\text{fclk}) := f(\text{clkin}) * \text{pred_div} * \text{post_div}$;

Table 26 Peripheral Clock Controller Register

Name		Base		Default
CGU_PERI		AS3525_CGU_BASE		0x0F800000
Offset0x14		Peripheral clock controller register		
This register allows setting the peripheral clocks.				
Bit	Bit Name	Default	Access	Bit Description
28	MBIST_EN	0	R/W	memory bist manager clock enable
27	EXTMEM_EN	1	R/W	external memory clock enable
26	EXTMEMIF_EN	1	R/W	external memory AHB IF clock enable
25	1TRAM_EN	1	R/W	1TRAM controller AHB IF clock enable
24	ROM_EN	1	R/W	ROM AHB IF clock enable
23	VIC_EN	1	R/W	vectored interrupt controller AHB IF clock enable
22	DMAC_EN	0	R/W	DMA controller AHB IF clock enable
21	USB_EN	0	R/W	USB controller AHB IF clock enable
20	I2SO_APB_EN	0	R/W	I2Sout APB IF clock enable
19	I2SI_APB_EN	0	R/W	I2Sin APB IF clock enable
18	I2C_EN	0	R/W	I2C master/slave APB IF clock enable
17	I2C_AUDIO_EN	0	R/W	I2C audio APB IF clock enable
16	GPIO_EN	0	R/W	general purpose IO APB IF clock enable
15	SDMCI_EN	0	R/W	secure digital/multimedia APB IF clock enable
14	NANDFLASH_EN	0	R/W	NAND flash/Smart Media APB IF clock enable
13	UART_EN	0	R/W	UART APB IF clock enable
12	WDOCNT_EN	0	R/W	watchdog counter clock enable
11	WDOIF_EN	0	R/W	watchdog timer module APB IF clock enable
10	SSP_EN	0	R/W	synchronous serial port APB IF clock enable
9	TIMER1_EN	0	R/W	timer module timer1 clock enable
8	TIMER2_EN	0	R/W	timer module timer2 clock enable
7	TIMERIF_EN	0	R/W	timer module APB IF clock enable
6	PCLK_DIV1_SEL	0	R/W	division ratio div1 (AHB/APB clock) => div1 = 1/(pclk_div1_sel + 1)
5:2	PCLK_DIV0_SEL [3:0]	0x0	R/W	division ratio div0 (ext. memory clock) => div0 = 1/(pclk_div0_sel + 1)
1:0	PCLK_SEL[1:0]	0x0	R/W	clkln select b'00: clk_main b'01: pll_a_fout b'10: pll_b_fout b'11: fclk

CAUTION: Clock gating takes effect immediately! Software must assure that all transactions to/from the module are finished before the clock is disabled.

CAUTION: The peripheral clock must not exceed 65 MHz. The software must assure that requirement.

Note:

$f(\text{clk_extmem}) := f(\text{clkln}) * \text{div0};$

$f(\text{pclk}) := f(\text{clkln}) * \text{div0} * \text{div1};$

Table 27 Audio Clock Controller Register

Name		Base		Default
CGU_AUDIO		AS3525_CGU_BASE		0x00
Offset0x18		Audio Clock Controller Register		
This register allows setting the audio clock to I2S input and output interface.				
Bit	Bit Name	Default	Access	Bit Description
24	I2SI_MCLK2PAD_EN	0	R/W	I2S audio input clock (I2SI_MCLK) to PAD connection enable
23	I2SI_MCLK_EN	0	R/W	I2S audio input clock (I2SI_MCLK) enable
22:14	I2SI_MCLK_DIV_SEL [8:0]	0x0	R/W	I2Sin audio IF clock division ratio => $div_i = 1/(i2si_mclk_div_sel + 1)$
13:12	ISI_MCLK_SEL[1:0]	0x0	R/W	I2SI_MCLK clkin select 00: clk_main 01: plla_fout 10: pll_b_fout 11: reserved (clk_main)
11	I2SO_MCLK_EN	0	R/W	I2S audio output clock (I2SO_MCLK) enable
10:2	I2SO_MCLK_DIV_SEL [8:0]	0x0	R/W	I2Sout audio IF clock division ratio => $div_o = 1/(i2so_mclk_div_sel + 1)$
1:0	ISO_MCLK_SEL[1:0]	0x0	R/W	I2SO_MCLK clkin select 00: clk_main 01: plla_fout 10: pll_b_fout 11: reserved (clk_main)

Note:

The clock gating bits in this register apply only to the audio clocks. To enable/disable the APB parts of the corresponding I2S IF CGU_PERI has to be configured.

$$f(i2si_mclk) := f(I2SI_mclk_clkin) * div_i;$$

$$f(i2so_mclk) := f(I2SO_mclk_clkin) * div_o;$$

Table 28 Processor USB Clock Controller Register

Name		Base		Default
CGU_USB		AS3525_CGU_BASE		0x00
Offset: 0x1c		USB Clock Controller Register		
This register allows setting the USB PHY interface clock.				
Bit	Bit Name	Default	Access	Bit Description
5	USB_CLK_EN	0x00	R/W	USB PHY clock enable => clk_usb
4:2	USB_DIV_SEL [2:0]	0x00	R/W	division ratio 0: div = 1/1 > 0: div = 1/(2*n); (even division factors only)
1:0	USB_SEL[1:0]	0x00	R/W	clk_in select 00: clk_main 01: pll_a_fout 10: pll_b_fout 11: reserved (clk_main)

Note:

The clock gating bit applies only to the USB PHY clock. To enable/disable the clock to the AHB part (USB CORE) CGU_PERI has to be configured.

$$f(\text{clk_usb}) = f(\text{clk_core_48m}) = f(\text{clk_in}) * \text{div};$$

Table 29 Interrupt Mask and PLL Lock Status Register

Name		Base		Default
CGU_INTCTRL		AS3525_CGU_BASE		0x00
Offset: 0x20		Interrupt Mask and PLL Lock Status Register		
Bit	Bit Name	Default	Access	Bit Description
3	INT_EN_PLLB_LOCK	0x00	R/W	interrupt on PLLB lock enable (R/W)
2	INT_EN_PLLA_LOCK	0x00	R/W	interrupt on PLLA lock enable (R/W)
1	PLLB_LOCK	0x00	R	PLLB lock status, locked if SET (not cleared on read)
0	PLLA_LOCK		R	PLLA lock status, locked if SET (not cleared on read)

Table 30 Interrupt Clear Register

Name		Base		Default
CGU_IRQ		AS3525_CGU_BASE		0x00
Offset: 0x24		Interrupt Clear Register		
Bit	Bit Name	Default	Access	Bit Description
1	PLLB_LOCK	0x00	R	PLLB lock status, locked if SET (not cleared on read)
0	PLLA_LOCK	0x00	R	PLLA lock status, locked if SET (not cleared on read)

Table 31 PLL A Lock Counter Register

Name		Base		Default
CGU_COUNTA		AS3525_CGU_BASE		0x20
Offset: 0x28		PLL A Lock Counter Register		
Bit	Bit Name	Default	Access	Bit Description
7:0	COUNTA[7:0]	0x00	R/W	number of PLL A's four-clock cycles until the LOCKA bit is set

Table 32 PLL B Lock Counter Register

Name		Base		Default
CGU_COUNTB		AS3525_CGU_BASE		0x20
Offset: 0x2c		PLL B Lock Counter Register		
Bit	Bit Name	Default	Access	Bit Description
7:0	COUNTB[7:0]	0x00	R/W	number of PLL B's four-clock cycles until the LOCKB bit is set

Table 33 IDE Clock Controller Register

Name		Base		Default
CGU_IDE		AS3525_CGU_BASE		0x20
Offset: 0x30		IDE Clock Controller Register		
This register allows setting the IDE interface clocks.				
Bit	Bit Name	Default	Access	Bit Description
7	IDEIF_CLK_EN	0	R/W	IDE AHB IF clock enable
6	IDE_CLK_EN	0	R/W	IDE IF clock enable (90MHz domain) => clk_ide
5:2	IDE_DIV_SEL [2:0]	0x0	R/W	division ratio => div = 1/(ide_div_sel + 1)
1:0	IDE_SEL[1:0]	0x0	R/W	clk_in select (clk_ide) 00: clk_main 01: plla_fout 10: pll_b_fout 11: reserved (clk_main)

Note: $f(\text{clk_ide}) := f(\text{clk_in}) * \text{div}$;

Table 34 Memory Stick (MS) Clock Controller Register

Name		Base		Default
CGU_MS		AS3525_CGU_BASE		0x00
Offset: 0x34		MS Clock Controller Register		
This register allows setting the MS interface clocks.				
Bit	Bit Name	Default	Access	Bit Description
8	MSIF_CLK_EN	0	R/W	MS APB IF clock enable
7	MS_CLK_EN	0	R/W	MS IF clock enable (20/40MHz domain) => clk_ms
6:2	MS_DIV_SEL [2:0]	0x0	R/W	division ratio => div = 1/(ms_div_sel + 1)
1:0	MS_SEL[1:0]	0x0	R/W	clk_in select (clk_ms) 00: clk_main 01: plla_fout 10: pll_b_fout 11: reserved (clk_main)

Note: $f(\text{clk_ms}) = f(\text{clk_in}) * \text{div};$

Table 35 Data Block Output Port (DBOP) Clock Controller Register

Name		Base		Default
CGU_DBOP		AS3525_CGU_BASE		0x00
Offset: 0x38		DBOP Clock Controller Register		
This register allows setting the DBOP interface clocks.				
Bit	Bit Name	Default	Access	Bit Description
3	DBOP_EN	0	R/W	DBOP APB IF clock enable
2:0	DBOP_PREDIV_SEL [2:0]	0x0	R/W	division ratio => div = 1/(dbop_prediv_sel + 1)

Note: Setting DBOP_EN will enable both clocks (push/APB and pop) immediately.
clk_dbop clock (pop clock) generation uses DBOP APB IF clock as input clock.

$f(\text{clk_dbop}) = f(\text{PCLKDBOP}) * \text{div};$

Figure 43 Table with verified CGU frequency settings for Audio and USB applications with 24MHz crystal

PLL_F	PLL_R	PLL_OD	fref [MHz]	fvco [MHz]	plla_fout [MHz]	fclk_pre	fclk_post	fclk [MHz]	pclk_div0	pclk_div1	pclk [MHz]	mclk_div	mclk [Hz]	fsaudio [Hz]	faudio error [%]	usb_div	fusbphy [Hz]	fusb error [%]	fsaudio target [Hz]	CPU clock mode
Target: 48.000 Hz																				
48	6	1	4,000	384,000	384,000	0,00	5,00	64,000	0	0	64,000	61	6.193.548	48.387	0,806	3	48.000.000	0,000	48000	fastbus
24	3	3	8,000	384,000	96,000	0,00	1,00	48,000	0	0	48,000	15	6.000.000	46.875	-2,344	1	48.000.000	0,000	48000	fastbus
41	8	2	3,000	246,000	123,000	0,00	1,00	61,500	0	0	61,500	19	6.150.000	48.047	0,098				48000	fastbus
23	5	3	4,800	220,800	55,200	0,00	0,00	55,200	0	0	55,200	8	6.133.333	47.917	-0,174				48000	fastbus
Target: 44.100 Hz																				
48	6	1	4,000	384,000	384,000	0	5	64,000	0	0	64,000	67	5.647.059	44.118	0,040	3	48.000.000	0,000	44100	fastbus
24	3	3	8,000	384,000	96,000	0	1	48,000	0	0	48,000	16	5.647.059	44.118	0,040	1	48.000.000	0,000	44100	fastbus
47	10	2	2,400	225,600	112,800	0	1	56,400	0	0	56,400	19	5.640.000	44.063	-0,085				44100	fastbus
79	12	3	2,000	316,000	79,000	0	1	39,500	0	0	39,500	13	5.642.857	44.085	-0,034				44100	fastbus
47	10	3	2,400	225,600	56,400	0	1	28,200	0	0	28,200	9	5.640.000	44.063	-0,085				44100	fastbus
Target: 32.000 Hz																				
48	6	1	4,000	384,000	384,000	0	5	64,000	0	0	64,000	93	4.085.106	31.915	-0,266	3	48.000.000	0,000	32000	fastbus
24	3	3	8,000	384,000	96,000	0	1	48,000	0	0	48,000	22	4.173.913	32.609	1,902	1	48.000.000	0,000	32000	fastbus
41	6	3	4,000	328,000	82,000	0	1	41,000	0	0	41,000	19	4.100.000	32.031	0,098				32000	fastbus
31	7	3	3,429	212,571	53,143	0	1	26,571	0	0	26,571	12	4.087.912	31.937	-0,197				32000	fastbus
Target: 24.000 Hz																				
48	6	1	4,000	384,000	384,000	0	5	64,000	0	0	64,000	124	3.072.000	24.000	0,000	3	48.000.000	0,000	24000	fastbus
24	3	3	8,000	384,000	96,000	0	1	48,000	0	0	48,000	30	3.096.774	24.194	0,806	1	48.000.000	0,000	24000	fastbus
41	8	2	3,000	246,000	123,000	0	1	61,500	0	0	61,500	39	3.075.000	24.023	0,098				24000	fastbus
Target: 22.050 Hz																				
48	6	1	4,000	384,000	384,000	0	5	64,000	0	0	64,000	135	2.823.529	22.059	0,040	3	48.000.000	0,000	22050	fastbus
24	3	3	8,000	384,000	96,000	0	1	48,000	0	0	48,000	33	2.823.529	22.059	0,040	1	48.000.000	0,000	22050	fastbus
47	10	2	2,400	225,600	112,800	0	1	56,400	0	0	56,400	39	2.820.000	22.031	-0,085				22050	fastbus
Target: 16.000 Hz																				
48	6	1	4,000	384,000	384,000	0	5	64,000	0	0	64,000	187	2.042.553	15.957	-0,266	3	48.000.000	0,000	16000	fastbus
24	3	3	8,000	384,000	96,000	0	1	48,000	0	0	48,000	46	2.042.553	15.957	-0,266	1	48.000.000	0,000	16000	fastbus
41	6	3	4,000	328,000	82,000	0	1	41,000	0	0	41,000	39	2.050.000	16.016	0,098				16000	fastbus
Target: 12.000 Hz																				
48	6	1	4,000	384,000	384,000	0	5	64,000	0	0	64,000	249	1.536.000	12.000	0,000	3	48.000.000	0,000	12000	fastbus
24	3	3	8,000	384,000	96,000	0	1	48,000	0	0	48,000	62	1.523.810	11.905	-0,794	1	48.000.000	0,000	12000	fastbus
41	6	3	4,000	328,000	82,000	0	1	41,000	0	0	41,000	52	1.547.170	12.087	0,727				12000	fastbus
Target: 11.025 Hz																				
48	6	1	4,000	384,000	384,000	0	5	64,000	0	0	64,000	271	1.411.765	11.029	0,040	3	48.000.000	0,000	11025	fastbus
24	3	3	8,000	384,000	96,000	0	1	48,000	0	0	48,000	67	1.411.765	11.029	0,040	1	48.000.000	0,000	11025	fastbus
41	6	3	4,000	328,000	82,000	0	1	41,000	0	0	41,000	57	1.413.793	11.045	0,184				11025	fastbus
Target: 8.000 Hz																				
48	6	1	4,000	384,000	384,000	0	5	64,000	0	0	64,000	374	1.024.000	8.000	0,000	3	48.000.000	0,000	8000	fastbus
24	3	3	8,000	384,000	96,000	0	1	48,000	0	0	48,000	93	1.021.277	7.979	-0,266	1	48.000.000	0,000	8000	fastbus
41	6	3	4,000	328,000	82,000	0	1	41,000	0	0	41,000	79	1.025.000	8.008	0,098				8000	fastbus

7.3.15 CCU - Chip Control Unit

Following chapters describe the functions of the CCU.

Table 88 CCU Registers

Register Name	Base Address	Offset	Note
CCU_SRC	AS3525_CCU_BASE	0x0000	Software reset control register
CCU_SRL	AS3525_CCU_BASE	0x0004	Software reset lock register
CCU_MEMMAP	AS3525_CCU_BASE	0x0008	Memory map register
CCU_IO	AS3525_CCU_BASE	0x000C	IO configuration register
CCU_SCON	AS3525_CCU_BASE	0x0010	System configuration register
CCU_VERS	AS3525_CCU_BASE	0x0014	Chip version register
CCU_SPARE1	AS3525_CCU_BASE	0x0018	spare register 1 (for future use)
CCU_SPARE2	AS3525_CCU_BASE	0x001C	spare register 2 (for future use)

7.3.15.1 Reset Controller

- Generation of the internal reset: the external reset pin XRES is used to generate the internal global reset. This internal reset is synchronised to clk_main and the active reset time is enlarged. This is necessary to wait for the startup of the DC/DC converter and LDO's that are generating the supplies of the digital chip. The time assumed for this startup is 10 ms, therefore 2^{18} cycles of clk_main are counted before the internal reset is released. This mechanism is also used for the WATCHDOG reset.
- Softreset: for each module, the reset can also be generated by SW control. For this purpose, the SW can write to the software reset control register (CCU_SRC). To avoid unintended SW resets, the access to this control register is locked by the SW reset lock register (CCU_SRL). So the correct usage is:
 - write CCU_SRC
 - write CCU_SRL (magic number 0x1A720212) to CCU_LOCK to activate resets
 - write CCU_SRL (0x00000000) to deactivate resets

Table 89 Software Reset Control Register

Name		Base		Default
CCU_SRC		AS3525_CCU_BASE		0x00
Offset: 0x0000h		Software Reset Control Register		
		Writing a logic 1 to the single bits in the read/write register enables resets to each module.		
Bit	Bit Name	Default	Access	Bit Description
24	DBOP_EN	0	R/W	1: enable DBOP reset 0: disable DBOP reset
23	MBIST_EN	0	R/W	1: enable MBIST manager reset 0: disable MBIST manager reset
22	SPDIF_EN	0	R/W	1: enable SPDIF reset 0: disable SPDIF reset
21	TIMER_EN	0	R/W	1: enable timer module reset 0: disable timer module reset
20	SSP_EN	0	R/W	1: enable synchronous serial port reset 0: disable synchronous serial port reset
19	WDO_EN	0	R/W	1: enable watchdog timer module reset 0: disable watchdog timer module reset
18	IDE_EN	0	R/W	1: enable compact flash/IDE reset (except AHB part) 0: disable compact flash/IDE reset (except AHB part)
17	IDE_AHB_EN	0	R/W	1: enable compact flash/IDE's AHB interface reset 0: disable compact flash/IDE's AHB interface reset

Name		Base		Default
CCU_SRC		AS3525_CCU_BASE		0x00
Offset: 0x0000h		Software Reset Control Register		
		Writing a logic 1 to the single bits in the read/write register enables resets to each module.		
Bit	Bit Name	Default	Access	Bit Description
16	UART_EN	0	R/W	1: enable UART interface reset 0: disable UART interface reset
15	NAF_EN	0	R/W	1: enable NAND flash/Smart Media interface reset 0: disable NAND flash/Smart Media interface reset
14	SDMCI_EN	0	R/W	1: enable secure digital/multimedia interface reset 0: disable secure digital/multimedia interface reset
13	GPIO_EN	0	R/W	1: enable general purpose IO reset 0: disable general purpose IO reset
12	I2C_AUDIO_EN	0	R/W	1: enable audio I2C interface reset 0: disable audio I2C interface reset
11	I2C_EN	0	R/W	1: enable master/slave I2C interface reset 0: disable master/slave I2C interface reset
10	MMS_EN	0	R/W	1: enable memory stick interface reset 0: disable memory stick interface reset
9	I2SI_APB_EN	0	R/W	1: enable I2S input interface reset for APB part 0: disable I2S input interface reset for APB part
8	I2SO_APB_EN	0	R/W	1: enable I2S output interface reset for APB part 0: disable I2S output interface reset for APB part
7	USB_AHB_EN	0	R/W	1: enable USB AHB reset 0: disable USB AHB reset
6	USB_PHY_EN	0	R/W	1: enable USB PHY reset 0: disable USB PHY reset
5	DMAC_EN	0	R/W	1: enable DMA controller reset 0: disable DMA controller reset
4	VIC_EN	0	R/W	1: enable vectored interrupt cell reset 0: disable vectored interrupt cell reset
3	RAMC_EN	0	R/W	1: enable RAMC reset 0: disable RAMC reset
2	1TRAM_EN	0	R/W	1: enable 1TRAM reset 0: disable 1TRAM reset
1	MPMC_EN	0	R/W	1: enable external memory AHB reset 0: disable external memory AHB reset
0	BRIDGE_EN	0	R/W	1: enable bridge reset 0: disable bridge reset

Table 90 Software Reset Lock Register

Name		Base		Default
CCU_SRL		AS3525_CCU_BASE		0x00
Offset: 0x0004h		Software Reset Lock Register		
		Use of this register enables the software reset selected with Software Reset Control Register. Writing a value of 0x1A720212 will enable the selected reset; writing any other value will not enable software reset.		
Bit	Bit Name	Default	Access	Bit Description
0:31	software_reset_lock	0	R/W	0x1A720212: enables selected reset Other values: no effect

7.3.15.2 IO_PADRING functions

Within the IO_PADRING module all multiplexing for selecting alternative functions is implemented. The selection of active functions is chosen within the IO_configuration_register. Following table gives a description of the IO configurations:

Table 91 IO_PADRING Configurations

Name		Base		Default
CCU_IO		AS3525_CCU_BASE		0x00
Offset: 0x000Ch		IO Configuration Registers		
		With this read/write registers the functionality of IOs are controlled which provides several different functions		
Bit	Bit Name	Default	Access	Bit Description
8:7	naf_ce_sel[1:0]	0	R/W	these bits select which output is used for NAF ce_n. 0: naf_ce0_n 1: naf_ce1_n 2: naf_ce2_n 3: naf_ce3_n
6	pll_probe_en	0	R/W	test mode: 1: pll output clock is available at a GPIO Pin
5	ide_sel	0	R/W	1: the IDE input/output configuration is set
4	spi_flash_mode	0	R/W	SPI used in master mode: 1: pin SSP_FSSOUT always 0 0: pin SSP_FSSOUT generated by SSP hardware block SPI used in slave mode: spi_flash_mode has to be switched to 0
3:2	xpd_func_sel(1:0)	0	R/W	00: XPD works as general purpose IO 01: SD-MCI interface 10: the XPD[5:0] are configured to support MS, XPD[7:6] are general IO pins 11: reserved (XPD works as general IO)
1	i2c_ms_sel	0	R/W	1: the I2C master/slave IO configuration is set
0	uart_sel	0	R/W	1: the uart IO configuration is set

7.3.15.3 Other CCU functions

With the CCU_MEMMAP register, the remap(r/w) and int_boot_sel (read only) bits are accessible.

Table 92 Memory Map Register

Name		Base		Default
CCU_MEMMAP		AS3525_CCU_BASE		N/A
Offset: 0x0008h		Memory Map Register		
		With the register the remap(r/w) and int_boot_sel (r only) bits are accessible.		
Bit	Bit Name	Default	Access	Bit Description
1	INT_BOOT_SEL	external pin XPC[0]	R	Boot selection 1: internal ROM 0: external memory interface
0	REMAP	0	R/W	Defines memory mapping 1: RAM 0: ROM

If the INIT_BOOT_SEL is 0 (boot from external memory interface), following pins will be latched at startup to define the MPMC interface settings:

• mpmc_stcs1mw[0]	• mpmc_stcs1pb
• mpmc_stcs1pol	• mpmc_rel1config

7.3.15.4 Additional Chip Control Unit Registers

Table 93 System Configuration Register

Name		Base		Default
CCU_SCON		AS3525_CCU_BASE		0x00
Offset: 0x0010h		System Configuration Register		
This read/write register controls system parameters.				
Bit	Bit Name	Default	Access	Bit Description
0	priority_config	0	R/W	AHB master's priority configuration: 0: Configuration A (default) Highest priority: TIC (Test Interface Controller) – for production test only 2 nd highest priority: ARM922T 3 rd highest priority: DMA 4 th highest priority: USB lowest priority: IDE 1: Configuration B Highest priority: TIC (Test Interface Controller) – for production test only 2 nd highest priority: DMA 3 rd highest priority: USB 4 th highest priority: IDE lowest priority: ARM922T

Table 94 Chip Version Register

Name		Base		Default
CCU_VERS		AS3525_CCU_BASE		0x09
Offset: 0x0014h		Chip Version Register		
Version information can be read from this register.				
Bit	Bit Name	Default	Access	Bit Description
31:12	main_version_id(19:0)	0x2	R	main version ID
11:0	sub_version_id(11:0)	0x1	R	sub version ID

Table 95 Spare Register 1

Name		Base		Default
CCU_SPARE1		AS3525_CCU_BASE		0x00
Offset: 0x0018h		Metal ECO Spare Register		
This register implements 32bit spare FF's. Use for metal ECO redesign.				
Bit	Bit Name	Default	Access	Bit Description
31:9	spare	0x00	R/W	spare bits to be used for metal ECO redesign if SET
8	dma_sreq_SSPRX_off	0x00	R/W	disabledDMA single request of SSPRX module if SET
7	dma_sreq_SSPTX_off	0x00	R/W	disable DMA single request of SSPTX module if SET
6	dma_sreq_DBOP_off	0x00	R/W	disable DMA single request of DBOP module if SET
5	dma_sreq_I2Sin_off	0x00	R/W	disable DMA single request of I2Sin module if SET
4	dma_sreq_I2Sout_off	0x00	R/W	disable DMA single request of I2Sout module if SET
3:2	spare	0x00	R/W	spare bits to be used for metal ECO redesign if SET
1:0	mpmc_clk_inv	0x00	R/W	spare bits used to invert output clocks mpmc_clk(1:0) if SET

Table 96 Spare Register 2

Name		Base		Default
CCU_SPARE2		AS3525_CCU_BASE		0x00
Offset: 0x001Ch		Metal ECO Spare Register		
This register implements 32bit spare FF's. Use for metal ECO redesign.				
Bit	Bit Name	Default	Access	Bit Description
31:3	spare	0x00	R/W	spare bits to be used for metal ECO redesign if SET
2:0	bist_idle_cycle_ctrl	0x00	R/W	internal RAM refresh cycle control bits of BIST_MGR module 000: idle every 32nd cycle (default) 100: idle every 16th cycle 110: idle every 8th cycle 111: idle every 4th cycle

7.4 Audio and Power Management functions

7.4.1 SYSTEM

7.4.1.1 General

The system block handles the power up, power down and regulator voltage settings of the AFE.

7.4.1.2 Power Up

The chip powers up when on of the following condition is true:

- High signal on the PWR_UP pin (>80ms, >1V & >1/3 BVDD)
- Input voltage on the UVDD pin (USB plug in: >80ms, BVDD>1.5V, UVDD>4.5V)
- Input voltage on the CHG_IN pin (charger plug in: >80ms, BVDD>1.5V, CHG_IN>4.0V)
- Input voltage on BVDD pin (battery change: >1.35V)

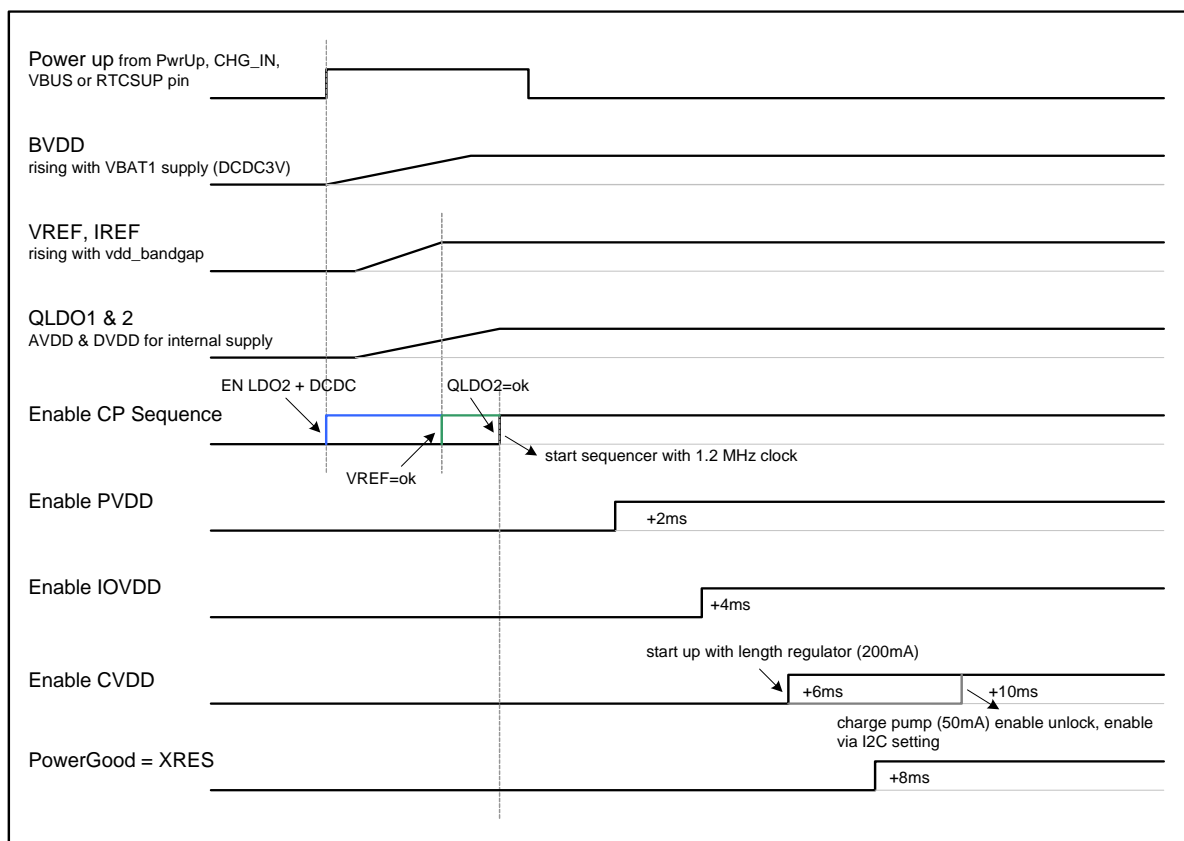
To hold the chip in power up mode the PwrUpHld bit in the SYSTEM register (0x20h) is set.

7.4.1.3 Power Down

The chip automatically shuts off if one of the following conditions arises:

1. Clearing the PwrUpHld bit in SYSTEM register (0x20h)
2. I2C watchdog power down if enabled (no serial reading for >1s, has to be enabled)
3. BVDD drops below the minimum threshold voltage (<2.7V)
4. Junction temperature reaches maximum threshold, set in SUPERVISOR register (0x24h)
5. High signal on the PWR_UP pin for more than (>6s, >1V & >1/3 BVDD).

Figure 44 Power Up Timing



7.4.1.4 Parameter

Table 97 Supply Regulator Block Characteristics

Symbol	Parameter	Notes	Min	Typ	Max	Unit
	DVDD_POR_OFF			2.15		V
	DVDD_POR_ON			2.0		V
	POR_ON/OFF_HYST			100		mV
LRCK WATCHDOG						
	F(LRCK)_WD_OFF			4.1	8	kHz
	ON_Delay			50		us

DVDD=2.9V; T_{amb}=25°C; unless otherwise specified

7.4.1.5 Register Description

Table 98 System Register

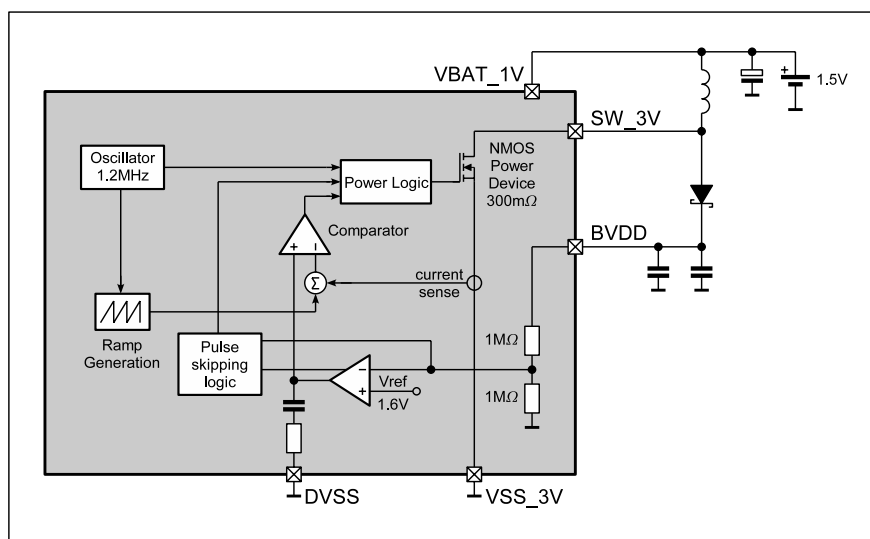
Name		Base		Default
System		I2C audio master		0x21
Offset: 0x20		System Settings Register		
This register is reset at a DVDD-POR.				
Bit	Bit Name	Default	Access	Bit Description
7:4	Version <3:0>	0010	R	AFE number to identify the design version 0010: revision 2
3	PVDDp	0	R/W	PVDD trimming: 0: Vnom 1: Vnom *17/18
2	IOVDDp	0	R/W	IOVDD trimming: 0: IOVDD = 3.11V (nominal) 1: IOVDD = 2.94V
1	EnWDogPwdn	0	R/W	0: forced power down through watchdog is disabled 1: forced power down through watchdog is enabled (no serial interface reading within 1s)
0	PwrUpHld	1	R/W	0: power up hold is cleared and supply is switched off 1: set to on after power on

7.4.2 3V Step-Up Converter

7.4.2.1 General

- Output voltage 3V to 3.6V (BVDD) programmable in 4 steps via DCDC3p bit to save power
- Input voltage 1V (1.2V) to 3V, voltages higher than that can be connected to BVDD directly
- Maximum output current to BVDD: 150mA
- Current mode operation
- On-chip compensation and feedback network
- On chip 300mΩ NMOS switch
- PWM mode with 1.2MHz switching frequency
- Inductor current limitation 850mA
- Pulse skipping capability
- Low quiescent current: 40µA in PFM-mode, 300µA in PWM mode
- ≤1µA shutdown current
- uses external coil (6.8µH) and Schottky diode (500mA)

Figure 45 DCDC 3V Block Diagram



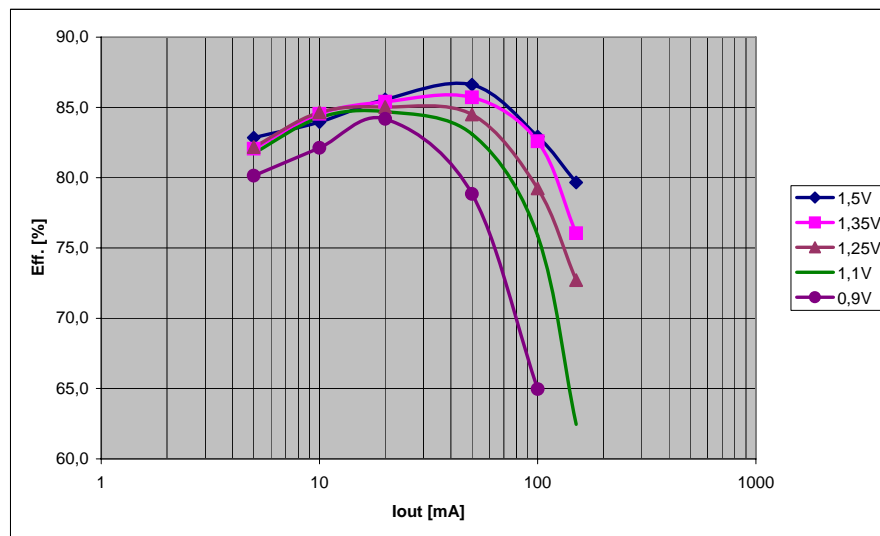
7.4.2.2 Parameter

Table 99 DCDC Boost Parameter

Symbol	Parameter	Notes	Min	Typ	Max	Unit
I _{VDD2.9}	Supply Current	Power down mode			5	µA
		PFM mode operation		40		µA
		PWM mode (low output load)		300		µA
V _{STARTUP}	Startup Voltage	R _{Load} >220Ω	1.0			V
V _{HOLD}	Hold-on Voltage	I _{OUT} =1mA, V _{BAT} falling from 1.5 to 0V		0.5		V
R _{SW_on}	Internal Switch R _{DS_ON}				300	mΩ
f _{SW}	Switching Frequency	Start-up, X3VOK=1	100	250	500	kHz
		PWM mode operation, X3VOK=0		1.2		MHz
t _{ON_min}	Minimum On-time			100		ns
t _{OFF_min}	Minimum Off-time			100		ns
η _{eff}	Efficiency	I _{OUT} =20mA, V _{in} =1.35		85		%
		I _{OUT} =50mA, V _{in} =1.5		87		%
I _{SW_LIM}	Current Limit	1.0V ≤ V _{B1V} ≤ 3.0V	0.60	0.85	1.10	A
I _{OUT}	Load Current	V _{B1V} =1.0V			150	mA

V_{in}=1.0..2.0V, C(VBAT_1V) = 2.2µF ceramic || 2000µF Elko, C(BVDD) = 3 x 2.2µF ceramic, L=DS1608 6.8µH, Temp = 25deg

Figure 46 DCDC Boost Typical Performance Characteristics



BVDD=3.1V, L=DS1608 6.8μH, Temp = 25deg

7.4.2.3 Register Description

Table 100 CVDD / DCDC3 Register

Name		Base		Default
CVDD / DCDC 3		I2C audio master		0x00
Offset: 0x21		Charge Pump and 3V DCDC Register		
This register is reset at a DVDD-POR.				
Bit	Bit Name	Default	Access	Bit Description
7	CP_SW	0	R/W	charge pump / length regulator switch margin reduction 0: margin set to 200/300 mV 1: margin reduced to 150/225 mV (automatic switching to length regulator is done "later", at a lower input voltage)
6	CP_on	0	R/W	0: normal operation 1: keeps Mode 3 charge pump always on Please note that bit 2 = "0", overrides bit 6.
5	LREG_CPnot	0	R	Core voltage generation mode 0: CP is working 1: LREG is working
			W	For production testing purpose only, in normal application mode this bit must always be written with "0".
4:3	DCDC3p	00	R/W	DCDC3 Vout programming (BVDD) 00: 3.6V 01: 3.2V 10: 3.1V 11: 3.0V
2	LREG_off	0	R/W	0: keeps Mode2 (length regulator always on) 1: normal operation
1:0	CVDDp	00	R/W	CVDD trimming: 00: 1.2V 01: 1.15V 10: 1.10V 11: 1.05V

7.4.3 Low Drop Out Regulators

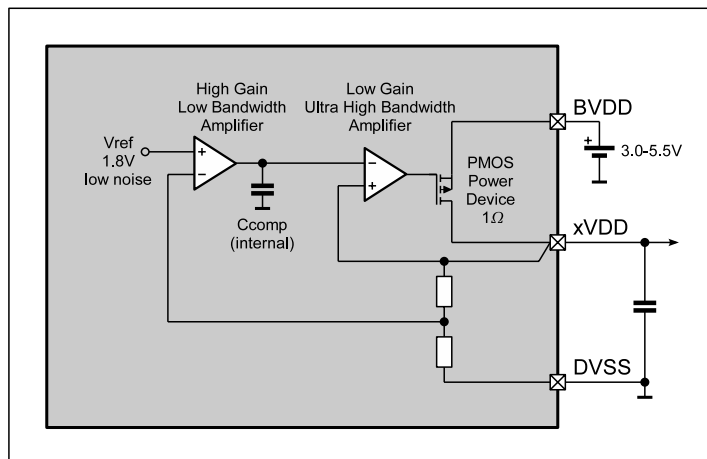
7.4.3.1 General

These LDO's are designed to supply sensitive analogue circuits, audio devices, AD and DA converters, micro-controller and other peripheral devices.

The design is optimised to deliver the best compromise between quiescent current and regulator performance for battery powered devices.

Stability is guaranteed with ceramic output capacitors of $1\mu\text{F} \pm 20\%$ (X5R) or $2.2\mu\text{F} \pm 100\%$ (Z5U). The low ESR of these caps ensures low output impedance at high frequencies. Regulation performance is excellent even under low dropout conditions, when the power transistor has to operate in linear mode. Power supply rejection is high enough to suppress high ripple on the battery at the output. The low noise performance allows direct connection of noise sensitive circuits without additional filtering networks. The low impedance of the power device enables the device to deliver up to 150mA even at nearly discharged batteries without any decrease of performance.

Figure 47 LDO Block Diagram



7.4.3.2 LDO1

This LDO generates the analog supply voltage used for the AFE itself.

- Input voltage is BVDD
- Output voltage is AVDD (typ. 2.9V)

7.4.3.3 LDO2

This LDO generates the digital supply voltage used for the AFE itself.

- Input Voltage is BVDD
- Output Voltage is DVDD (typ. 2.9V)
- Driver strength: 200mA

7.4.3.4 LDO3

This LDO can be used to generate the periphery voltage for the digital processor (e.g. vdd_mem for MPMC interface)

- Input Voltage BVDD
- Output Voltage is PVDD 1.7 to 3.3V
- Driver strength: 200mA
- Programmable via P_PVDD pin and PVDDp bit in 8 steps

Table 101 PVDD programming

P_PVDD	PVDDp=0	PVDDp=1
VSS	OFF	OFF
150k to VSS	2.50V	2.36V
Open	3.33V	3.15V
150k to DVDD	2.90V	2.74V
DVDD	1.80V	1.70V

7.4.3.5 LDO4

This LDO will be used to supply the digital processor periphery (vdd_peri). Default value is 3.11V, but it can be manually programmed to 2.94V if needed.

- Input Voltage BVDD
- Output Voltage is IOVDD (3.11 or 2.94)
- Programmable via IOVDDp bit.
- Driver strength: 200mA

7.4.3.6 LDO6

This LDO will be used to supply the USB 2.0 OTG interface block.

- Input Voltage BVDD
- Output Voltage is UVDD (3.26V)
- separate enable bit in USB_UTIL register (0x17)
- Driver strength: 200mA

7.4.3.7 Parameter

Table 102 LDOs Block Characteristics

Symbol	Parameter	Notes	Min	Typ	Max	Unit
R _{ON}	On resistance				1	Ω
PSRR	Power supply rejection ratio	f=1kHz	70			dB
		f=100kHz	40			
I _{OFF}	Shut down current				100	nA
I _{VDD}	Supply current	without load			50	μA
Noise	Output noise	10Hz < f < 100kHz			50	μV _{rms}
t _{start}	Startup time				200	μs
V _{out}	Output voltage	V _{bat} >3.0V	1.7		2.85	V
		full prog. range	1.7		3.56	V
		LDO1, LDO2		2.9		V
V _{out_tol}	Output voltage tolerance		-50		50	mV
V _{LineReg}	Line regulation	LDO1, Static	-1		1	mV
		LDO1, Transient; Slope: t _r =10μs	-10		10	
V _{LoadReg}	Load regulation	LDO1, Static	-1		1	mV
		LDO1, Transient; Slope: t _r =10μs	-10		10	
I _{LIMIT}	Current limitation	LDO1, LDO2, LDO3, LDO4		400		mA

BVDD=4V; I_{LOAD}=150mA; T_{amb}=25°C; C_{LOAD}=2.2μF (Ceramic); unless otherwise specified

7.4.3.8 Register Description

Table 103 System Register

Name		Base		Default
System		I2C audio master		0x21
Offset: 0x20		System Settings Register		
This register is reset at a DVDD-POR.				
Bit	Bit Name	Default	Access	Bit Description
7:4	Version <3:0>	0010	R	AFE number to identify the design version 0010: revision 2
3	PVDDp	0	R/W	PVDD trimming: 0: Vnom 1: Vnom *17/18
2	IOVDDp	0	R/W	IOVDD trimming: 0: IOVDD = 3.11V (nominal) 1: IOVDD = 2.94V
1	EnWDogPwDn	0	R/W	0: forced power down through watchdog is disabled 1: forced power down through watchdog is enabled (no serial interface reading within 1s)
0	PwrUpHld	1	R/W	0: power up hold is cleared and supply is switched off 1: set to on after power on

Table 104 USB_UTIL Register

Name		Base		Default
USB_UTIL		I2C audio master		0x00
Offset: 0x17		USB Utility Register		
This register is reset at a DVDD-POR.				
Bit	Bit Name	Default	Access	Bit Description
7..5		000	n/a	
4	LDO6_on	0	R/W	0: UVDD generation disabled 1: LDO6 for generating UVDD enabled.
3:2	COMP_TH<1:0>	0	R/W	Sets the threshold for the VBUS comparator 00: 4.5V 01: 3.18V 10: 1.5V 11: 0.6V
1	SKIP_ENAB	0	R/W	0: normal operation 1: enables the skip mode for the VBUS 1:2 charge pump. This is increasing the efficiency for smaller loads, but increasing the VBUS ripple.
0	CP_5V_on	0	R/W	0: disables VBUS charge pump 1: enables VBUS charge pump

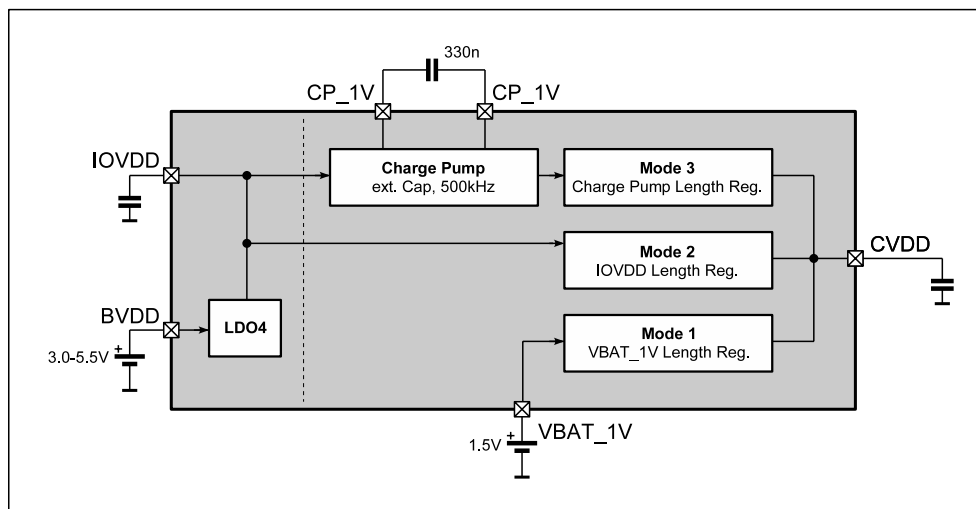
7.4.4 Charge-Pump Step-Down Converter

7.4.4.1 General

This converter will be used to supply the core voltage for a microprocessor.

- Input Voltage CPVDD
- Output Voltage 1.05 to 1.2 V
- Voltage setting via CVDDp<1:0> bits in 4 steps
- regulated 2:1 charge pump with pulse skipping
- scaleable switches according to BVDD
- Bypass LDO for higher currents or lower battery voltages respectively
- Driver strength: 50mA / 200mA with bypass LDO

Figure 48 CP Block Diagram



7.4.4.2 Mode Description

Three different functional parts generate core supply voltage CVDD. The switching between the modes is generally done automatically, but can also be manually overwritten by register settings.

Please observe that the charge pump block starts up in Mode 2 (IOVDD length regulator mode) to avoid a current limitation and has to be switched to automatic operation by register settings.

Direct length regulation from VBAT

Mode1=true IF $((1.2V + V_{margin1}) < V_{BAT_1V} < (V_{TH1})) \ \&\& \ (NoUSB)$

- $V_{margin1} = 50mV / 150mV$ (100mV hysteric)
- $V_{TH1} = 1.7V / 1.8V$ (100mV hysteric)
- VBAT LDO is used when $[1.8V > V_{BAT_1V} > 1.25V]$
- VBAT LDO is not used when there is high supply present from USB even when VBAT is in range.

Direct length regulation from IOVDD

Mode2=true IF $((Not \ Mode1) \ \&\& \ (IOVDD/2 < (1.2 + V_{margin2})))$

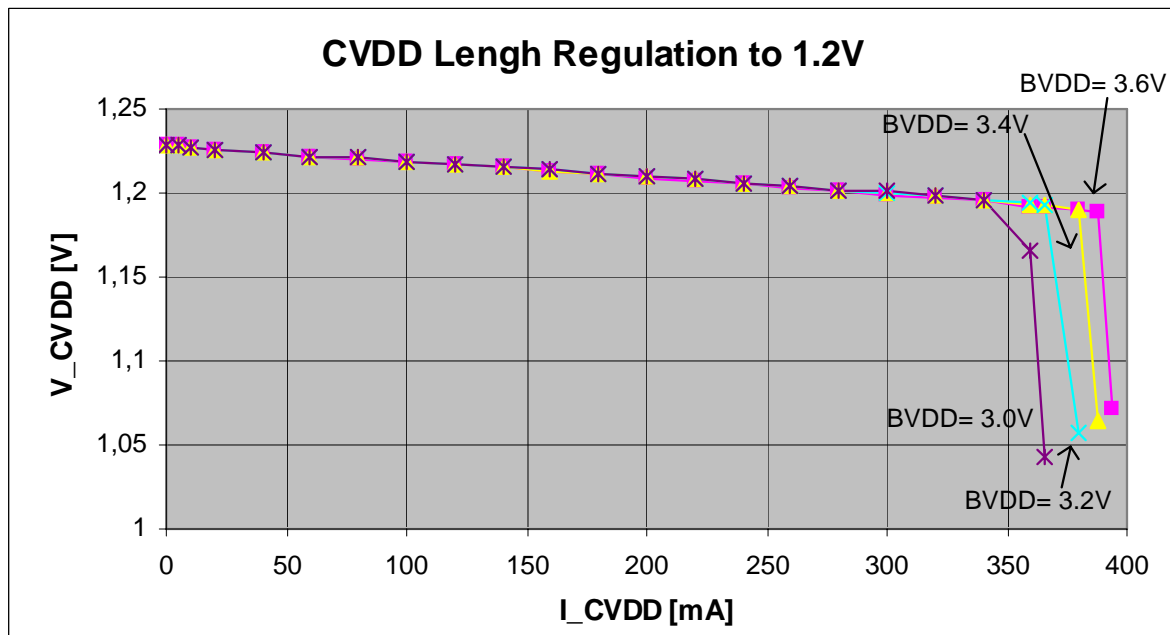
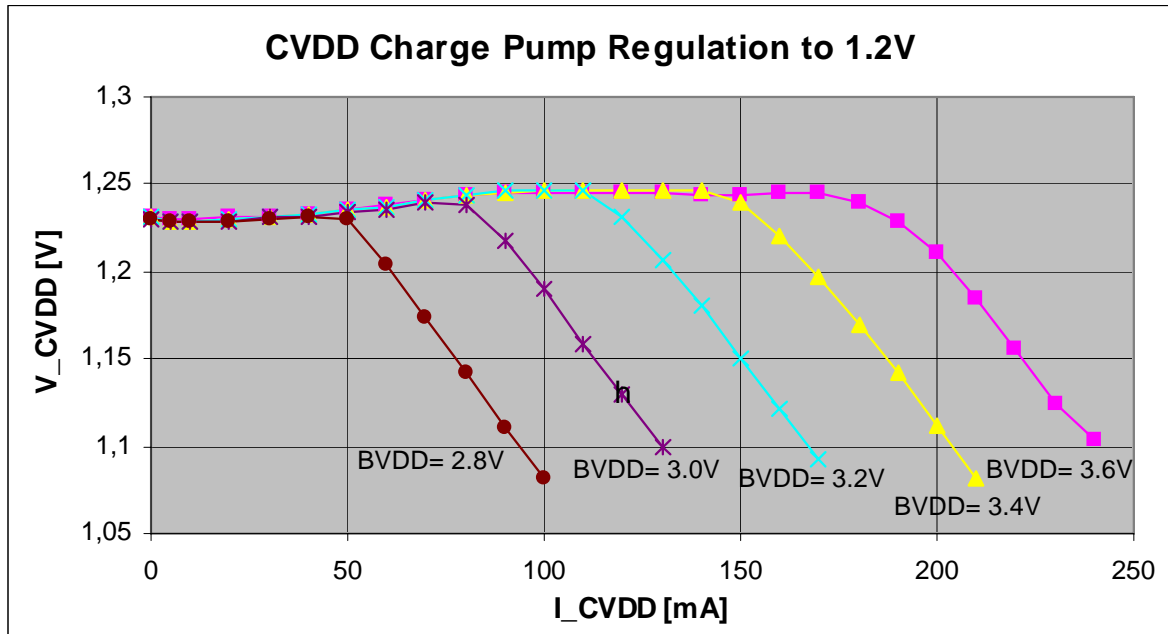
- $V_{margin2} = 200mV / 300mV$ (100mV hysteric)
- IOVDD LDO is used when VBAT LDO Mode1 is not entered and
- IOVDD is not high enough to do 2:1 charge-pump regulation.

Charge-Pump IOVDD division by 2 active plus length regulation

Mode3=true IF $((Not \ Mode1) \ \&\& \ (Not \ Mode2))$

7.4.4.3 Parameter

Table 105 CP Typical Performance Parameter



7.4.4.4 Register Settings

Table 106 CVDD / DCDC3 Register

Name		Base		Default
CVDD / DCDC 3		I2C audio master		0x00
Offset: 0x21		Charge Pump and 3V DCDC Register		
This register is reset at a DVDD-POR.				
Bit	Bit Name	Default	Access	Bit Description
7	CP_SW	0	R/W	charge pump / length regulator switch margin reduction 0: margin set to 200/300 mV 1: margin reduced to 150/225 mV (automatic switching to length regulator is done "later", at a lower input voltage)
6	CP_on	0	R/W	0: normal operation 1: keeps Mode 3 charge pump always on Please note that bit 2 = "0", overrides bit 6.
5	LREG_CPnot	0	R	Core voltage generation mode 0: CP is working 1: LREG is working
			W	For production testing purpose only, in normal application mode this bit must always be written with "0".
4:3	DCDC3p	00	R/W	DCDC3 Vout programming (BVDD) 00: 3.6V 01: 3.2V 10: 3.1V 11: 3.0V
2	LREG_off	0	R/W	0: keeps Mode2 (length regulator always on) 1: normal operation
1:0	CVDDp	00	R/W	CVDD trimming: 00: 1.2V 01: 1.15V 10: 1.10V 11: 1.05V

7.4.5 Audio Line Output

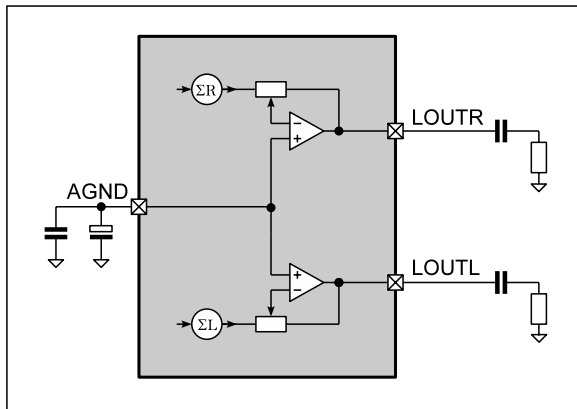
7.4.5.1 General

The line output is designed to provide the audio signal with typical 1Vp at a load of minimum 10k Ω , which is a minimum value for line inputs. Additionally this output amplifier is capable to drive a 32 Ω load (e.g. an earpiece of a mobile phone). To achieve this operation mode can be switched from single ended stereo to mono differential.

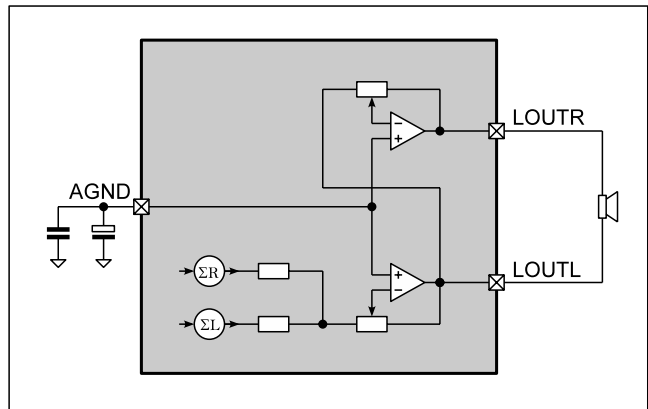
This output stage has an independent gain regulation for left and right channel with 32 steps @ 1.5dB each. The gain can be set from -40.5dB to +6dB. Changing of volume and mute control can only be done after enabling the output.

If using the output in mono differential mode, the volume setting for the right channel should be set to 0dB.

Figure 49 Line Output



Stereo Mode



Mono Differential Mode (please observe that gain of right channel amplifier has to best to 0dB)

7.4.5.2 Parameter

Table 107 Line Output Characteristics

Symbol	Parameter	Notes	Min	Typ	Max	Unit
R _L	Output Load	stereo mode	10k			Ohm
		differential mode	32			Ohm
A ₀	Gain	programmable gain	-40.5		6	dB
ΔA_x	Gain Step-Size			1.5		dB
SNR	Signal to Noise Ratio	stereo mode	90			dB
	Mute Attenuation		120			dB

BVDD = 3.3V, T_A = 25°C unless otherwise mentioned

7.4.5.3 Register Description

Table 108 Line Output Related Register

Name	Base	Offset	Description
AudioSet_1	I2C audio master	0x14	Enable/disable driver stage

Table 109 LINE_OUT_R Register

Name		Base	Default	
LINE_OUT_R		I2C audio master	0x00	
Offset: 0x00		Right Line Output Register		
This register is reset when the block is disabled in AudioSet1 register (0x14) or at a DVDD-POR. The register cannot be written when the block is disabled.				
Bit	Bit Name	Default	Access	Bit Description
7:5		000	n/a	do not change
4:0	LOR_VOL	00000	R/W	volume settings for right line output, adjustable in 32 steps @ 1.5dB 11111: 6 dB gain 11110: 4.5 dB gain .. 00001: -39 dB gain 00000: -40.5 dB gain

Table 110 LINE_OUT_L Register

Name		Base	Default	
LINE_OUT_L		I2C audio master	0x00	
Offset: 0x01		Left Line Output Register		
This register is reset when the stage is disabled in AudioSet1 register (0x14) or at a DVDD-POR. The register cannot be written when the block is disabled.				
Bit	Bit Name	Default	Access	Bit Description
7:6	LO_SES_DM	00	R/W	Single ended stereo or differential mono selection 11: do not use 10: output switched to single ended stereo 01: output switched to differential mono 00: output switched to mute
5		0	n/a	do not change
4:0	LOL_VOL	00000	R/W	volume settings for right line output, adjustable in 32 steps @ 1.5dB 11111: 6 dB gain 11110: 4.5 dB gain .. 00001: -39 dB gain 00000: -40.5 dB gain

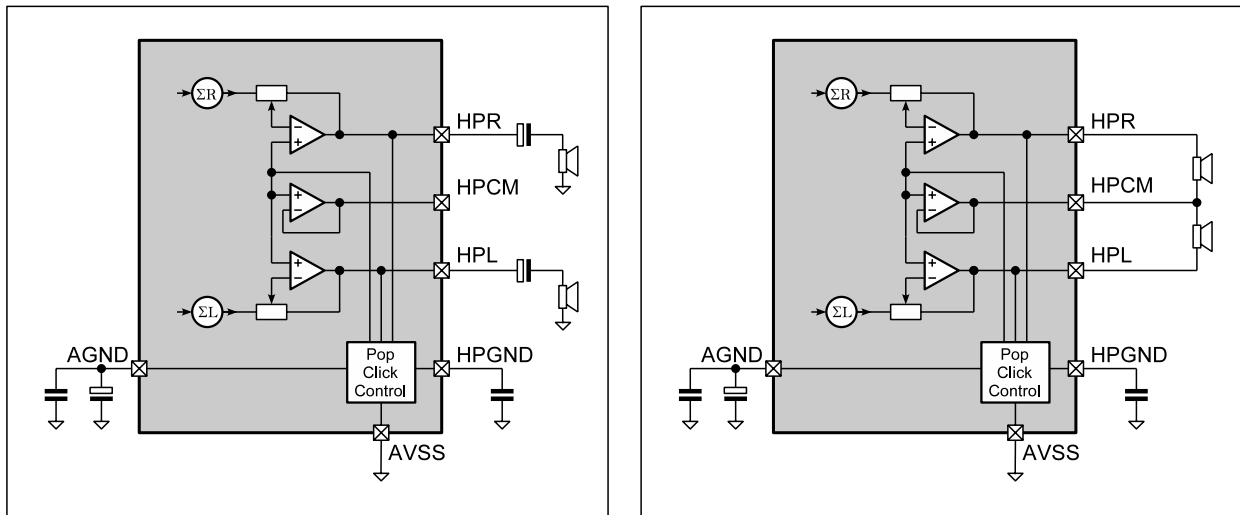
7.4.6 Headphone Output

7.4.6.1 General

The headphone output is designed to provide the audio signal with $2 \times 40\text{mW}$ @ 16Ω or $2 \times 20\text{mW}$ @ 32Ω , which are typical values for headphones.

This output stage has an independent gain regulation for left and right channel with 32 steps @ 1.5dB each. The gain can be set from -43.43dB to $+1.07\text{dB}$. The maximum output power of 40mW @ 16Ω is achieved, by setting the mixer output to 1Vp and using the gain of 1.07dB .

Figure 50 Headphone Output



Headphones connected via decoupling capacitors

Headphones connected to Phantom Ground
(Common Mode)

7.4.6.2 Phantom Ground

HPCM pin is the buffered HPGND output. It can be used to drive the loads without external blocking capacitors between HPL / HPR and HPCM. If the load is between HPR / HPL and BVSS, $100\mu\text{F}$ of de-coupling capacitors are needed. The phantom ground can be switched off to save power if not needed.

7.4.6.3 No-Pop Function

To avoiding click and pop noise during power-up and shutdown, the output is automatically set to mute when the output stage is disabled.

HPGND pin, which needs a 100nF capacitor outside, gets charged on power-up with $2\mu\text{A}$ to $\text{AGND}=1.45\text{V}$. After start-up the DC level of the following pins are the same: $\text{HPR}=\text{HPL}=\text{HPCM}=\text{HPGND}=\text{AGND}=1.45\text{V}$. The Start-up time before releasing mute is about 90ms . To avoid pop-noise 150ms discharging time of HPGND after a shutdown, have to be waited before starting up again.

7.4.6.4 Over-current Protection

This output stage has an over-current protection, which disables the output for 256ms or 512ms . This value can be set in the headphone registers. The over-current protection limit of HPR and HPL pin is typical 145mA while HPCM pin has a 210mA threshold. If needed, the over-current condition can also be signalled via an interrupt to the controlling microprocessor.

7.4.6.5 Headphone Detection

With a control bit the headphone detection can be enabled. The detection is only working as long as the headphone stage is in power down mode and the load is applied between HPR / HPL and HPCM. The headphone detection can also trigger a corresponding interrupt.

7.4.6.6 Power Save Options

To save power, especially when driving 32 Ohm loads, a reduction of the bias current can be selected. Together with switching off the phantom ground this gives 4 possible operating modes.

Table 111 Headphone Power-Save Options

HPCM_OFF	IBR_HPH	IDD_HPH (typ.)	Load
0	0	2.2mA	16 Ohm
1	0	1.5mA	16 Ohm
0	1	1.5mA	32 Ohm
1	1	1.0mA	32 Ohm

BVDD = 3.3V, T_A = 25°C unless otherwise mentioned

7.4.6.7 Parameter

Table 112 Power Amplifier Block Characteristics

Symbol	Parameter	Notes	Min	Typ	Max	Unit
R _L	Output Load	stereo mode	16			Ohm
P _{out}	Maximum Output Power	R _L = 32Ω		20		mW
		R _L = 16Ω		40		mW
A ₀	Gain	programmable gain	-43.43		1.07	dB
ΔA _x	Gain Step-Size			1.5		dB
PSRR	Power Supply Rejection Ratio	200Hz-20kHz, 720mV _{pp} , R _L = 16Ω	60	90		dB
	Short Current Protection Level			145		mA
I _{OUT_pd}	I _{OUT} power down		-20		20	μA
T _{power_up}				90		ms
SNR	Signal to Noise Ratio		90			dB
	Mute Attenuation		120			dB

BVDD = 3.3V, T_A = 25°C unless otherwise mentioned

7.4.6.8 Register Description

Table 113 Headphone Related Register

Name	Base	Offset	Description
AudioSet_3	I2C audio master	0x16	Power save options, common mode buffer
IRQ_ENRD_1	I2C audio master	0x26	Interrupt settings for over current and HP detection

Table 114 HPH_OUT_R Register

Name		Base		Default
HPH_OUT_R		I2C audio master		0x00
Offset: 0x02		Right Headphone Output Register		
This register is reset at a DVDD-POR.				
Bit	Bit Name	Default	Access	Bit Description
7:6	HP_OVC_TO	00	R/W	headphone over current time out: 11: 0 ms 10: 512 ms 01: 128 ms 00: 256 ms
5		0	n/a	do not change
4:0	HPR_VOL	00000	R/W	volume settings for right headphone output, adjustable in 32 steps @ 1.5dB 11111: 1.07 dB gain 11110: -0.43 dB gain .. 00001: -43.93 dB gain 00000: -45.43 dB gain

Table 115 HPH_OUT_L Register

Name		Base		Default
HPH_OUT_L		I2C audio master		0x00
Offset: 0x03		Left Headphone Output Register		
This register is reset at a DVDD-POR.				
Bit	Bit Name	Default	Access	Bit Description
7	HP_Mute_on	0	R/W	0: normal operation 1: headphone output set to mute (mute is on during power-up)
6	HP_on	0	R/W	0: headphone stage not powered 1: power up headphone stage
5	HPdet_on	0	R/W	0: no headphone detection 1: enable headphone detection
4:0	HPL_VOL	00000	R/W	volume settings for left headphone output, adjustable in 32 steps @ 1.5dB 11111: 1.07 dB gain 11110: -0.43 dB gain .. 00001: -43.93 dB gain 00000: -45.43 dB gain

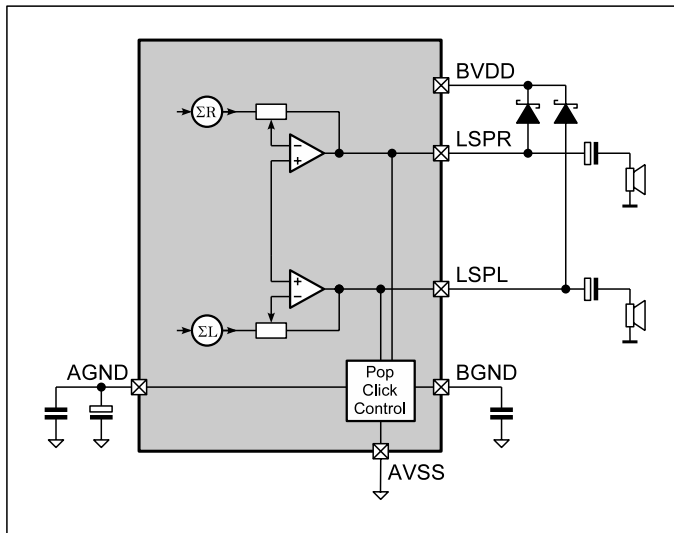
7.4.7 Speaker Output

7.4.7.1 General

The speaker output is designed to provide the stereo audio signal with $2 \times 500\text{mW} @ 4\Omega$.

This output stage has an independent gain regulation for left and right channel with 32 steps @ 1.5dB each. The gain can be set from -40.5dB to $+6\text{dB}$. The maximum output power of $500\text{mW} @ 4\Omega$ is achieved, by setting the mixer output to 1Vp and using the gain of $+6\text{dB}$.

Figure 51 Speaker Output



Speaker connected via decoupling capacitors

7.4.7.2 Latchup Protection

For latchup protection of pins LSPL and LSPR, external schottky diodes must be implemented from LSPL to BVDD and LSPR to BVDD as drawn in the above diagram. These diodes protect pins LSPL and LSPR against the back-voltage induced by the inductance of the speaker in case of switching off the speaker. These diodes must be schottky type diodes with low forward voltages to prevent high current through the internal LSPR/LSPL ESD protection diodes that potentially would cause latchup for currents exceeding the maximum input current specifications given in chapter 6.1 Absolute Maximum Ratings.

These schottky diodes must be capable of surging maximum peak currents of up to 600 mA.

7.4.7.3 No-Pop Function

BGND pin, which needs a 100nF capacitor outside, gets charged on power-up to $\text{BVDD}/2$. To avoiding click and pop noise during power-up and shutdown, the output is automatically set to mute when the output stage is disabled.

The Start-up time before releasing mute is about 100ms. To avoid pop-noise the 150ms discharging time of SPR / SPL after a shutdown ($220\mu\text{F}$ capacitor in stereo single ended mode assumed), have to be waited before starting up again.

7.4.7.4 Over-current Protection

This output stage has an over-current protection, which disables the output for 0 to 512ms. This value can be set in the speaker registers. The over-current protection limit of SPR and SPL pin is typical 700mA. To get an interrupt on an over-current event, the corresponding bit in the IRQ_ENRD1 register (0x26h) has to be set.

7.4.7.5 Power Save Options

When driving $> 4\Omega$, two power save options can be chosen.

The output driver stage can be set to only 25% drive capacity, which will reduce the maximum output power. Additionally the bias currents can be reduced to 50% in 3 steps.

Table 116 Speaker Power-Save Options

LSP_LP	IBR_LSP	IDD_LSP (typ.)	Load
0	00	8mA	4 Ohm
1	00	2.8mA	16-32 Ohm
1	01	2.4mA	16-32 Ohm
1	10	1.9mA	16-32 Ohm
1	11	1.5mA	16-32 Ohm

BVDD = 3.3V, $T_A = 25^\circ\text{C}$ unless otherwise mentioned

7.4.7.6 Parameter

Table 117 Speaker Amplifier Parameter

Symbol	Parameter	Notes	Min	Typ	Max	Unit
R _L	Output Load	stereo mode	4			Ohm
		mono differential mode	8			Ohm
P _{out}	Maximum Output Power	R _L = 8Ω		1		W
A ₀	Gain	programmable gain	-40.5		6	dB
ΔA _x	Gain Step-Size			1.5		dB
PSRR	Power Supply Rejection Ratio	200Hz-20kHz, 720mV _{pp} , no load	70	75		dB
	Short Current Protection Level			700		mA
I _{OUT_pd}	I _{OUT} power down		-20		20	μA
T _{power_up}				100		ms
SNR	Signal to Noise Ratio		90			dB
	Mute Attenuation		120			dB

BVDD = 5V, $T_A = 25^\circ\text{C}$ unless otherwise mentioned

7.4.7.7 Register Description

Table 118 Speaker Related Register

Name	Base	Offset	Description
AudioSet_2	I2C audio master	0x15	Power save options
IRQ_ENRD_1	I2C audio master	0x26	Interrupt settings for over current detection

Right Speaker Register (04h)

Table 119 LSP_OUT_R Register

Name		Base	Default	
LSP_OUT_R		I2C audio master	0x00	
Offset: 0x04		Right Speaker Output Register		
This register is reset at a DVDD-POR.				
Bit	Bit Name	Default	Access	Bit Description
7:6	SP_OVC_TO	00	R/W	speaker over current time out: 11: 0 ms 10: 512 ms 01: 128 ms 00: 256 ms
5		0	n/a	do not change
4:0	SPR_VOL	00000	R/W	volume settings for right speaker output, adjustable in 32 steps @ 1.5dB 11111: 6 dB gain 11110: 4.5 dB gain .. 00001: -39 dB gain 00000: -40.5 dB gain

Table 120 LSP_OUT_L Register

Name		Base		Default
SPH_OUT_L		I2C audio master		0x00
Offset: 0x05		Left Speaker Output Register		
This register is reset at a DVDD-POR.				
Bit	Bit Name	Default	Access	Bit Description
7	SP_Mute_on	0	R/W	0: normal operation 1: speaker output set to mute (mute is on during power-up)
6	SP_on	0	R/W	0: speaker stage not powered 1: power up speaker stage
5		0	n/a	do not change
4:0	SPL_VOL	00000	R/W	volume settings for left speaker output, adjustable in 32 steps @ 1.5dB 11111: 6 dB gain 11110: 4.5 dB gain .. 00001: -39 dB gain 00000: -40.5 dB gain

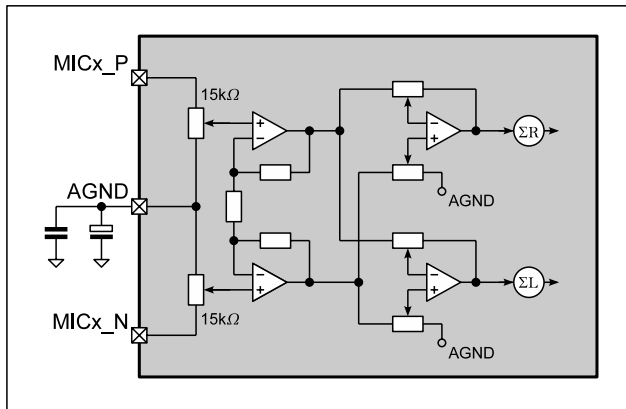
7.4.8 Microphone Inputs (2x)

7.4.8.1 General

The chip features two identical microphone inputs. The blocks have differential inputs to a microphone amplifier with adjustable gain. This stage also includes an AGC.

The following volume control has an independent gain regulation for left and right channel with 32 steps @ 1.5dB each. The gain can be set from -40.5dB to +6dB. The stage is set to mute by default. If the microphone input is not enabled, the volume settings are set to their default values. Changing of volume and mute control can only be done after enabling the input.

Figure 52 Microphone Input



Microphone Preamplifier and Gain Stage

7.4.8.2 AGC

The microphone amplifier includes an AGC, which is limiting the signal to 1Vp. The AGC has 15 steps with a dynamic range of about 29dB. The AGC is ON by default but can be disabled by a microphone register bit.

7.4.8.3 Supply & Detection

Each microphone input generates a supply voltage of 1.5V above HPHCM. The supply is designed for $\leq 2\text{mA}$ and has a 10mA current limit. In OFF mode the MICSUP terminal is pulled to AVDD with 30kohm. A current of typically 50uA generates an interrupt to inform the CPU, that a circuit is connected. When using HPHCM as headset ground the HPH-stage gives the interrupt. After enabling the HPH-stage through the CPU the microphone detection interrupt will follow.

7.4.8.4 Remote Control

Fast changes of the supply current of typically 500uA are detected as a remote button press, and an interrupt is generated. Then the CPU can start the measurement of the microphone supply current with the internal 10-bit ADC to distinguish which button was pressed. As the current measurement is done via an internal resistor, only two buttons generating a current of about 0.5mA and 1mA can be detected. With this 1mA as microphone bias is still available.

7.4.8.5 Parameter

Table 121 Microphone Inputs Parameter

Symbol	Parameter	Notes	Min	Typ	Max	Unit
A0	Gain	programmable gain	-40.5		6	dB
Δ AX	Gain Step-Size			1.5		dB
R _{inMIC}	Input Resistance	differential		15		kOhm
A _{MIC0}	MicAmp_Gain0			28		dB
A _{MIC1}	MicAmp_Gain1			34		dB
A _{MIC2}	MicAmp_Gain2			40		dB
	SoftClip_AGC_Range			15*2.0		dB
	Attack_Time			60		us
	Release_Time			120		ms
V _{Innom0}	Nominal_Input_Voltage0	MicInGain = 0dB, MicAmp_Gain0		40		mVp
V _{Innom1}	Nominal_Input_Voltage1	MicInGain = 0dB, MicAmp_Gain1		20		mVp
V _{Innom2}	Nominal_Input_Voltage2	MicInGain = 0dB, MicAmp_Gain2		10		mVp
SNR	Signal to Noise Ratio		90			dB
	Mute Attenuation		120			dB
Microphone Supply						
V _{MICsup}	Microphone Supply Voltage	0-4mA		2.95		V
I _{MIClim}	Mic. Supply Current Limit			10		mA
I _{MICdet}	Mic. Detection Current			50		uA
I _{REMdet}	Remote Detection Current	microphone supply current step	500			uA
V _{noise}	Voltage Noise			5.7		uV

BVDD = 3.3V, T_A = 25°C unless otherwise mentioned

7.4.8.6 Register Description

Table 122 Microphone Related Register

Name	Base	Offset	Description
AudioSet_1	I2C audio master	0x14	Enable/disable driver stage
IRQ_ENRD_1	I2C audio master	0x26	Interrupt settings for microphone detection
IRQ_ENRD_2	I2C audio master	0x27	Interrupt settings for remote button press detection

Table 123 MIC1_R & MIC2_R Register

Name		Base	Default	
MIC1_R, MIC2_R		I2C audio master	0x00	
Offset: 0x06, 0x08		Right Microphone Input Registers		
This register is reset when the block is disabled in AudioSet1 register (0x14) or at a DVDD-POR. The register cannot be written when the block is disabled.				
Bit	Bit Name	Default	Access	Bit Description
7	Mic1_AGC_off Mic2_AGC_off	0	R/W	0: automatic gain control enabled 1: automatic gain control disabled
6:5	Mic1_Gain Mic2_Gain	00	R/W	00: gain set to 28 dB 01: gain set to 34 dB 10: gain set to 40 dB 11: reserved, do not use.
4:0	Mic1R_VOL Mic2R_VOL	00000	R/W	volume settings for right microphone input, adjustable in 32 steps @ 1.5dB 11111: 6 dB gain 11110: 4.5 dB gain .. 00001: -39 dB gain 00000: -40.5 dB gain

Table 124 MIC1_L & MIC2_L Register

Name		Base	Default	
MIC1_L, MIC2_L		I2C audio master	0x00	
Offset: 0x07, 0x09		Left Microphone Input Registers		
This register is reset when the block is disabled in AudioSet1 register (0x14) or at a DVDD-POR. The register cannot be written when the block is disabled.				
Bit	Bit Name	Default	Access	Bit Description
7	Mic1_Sup_off Mic2_Sup_off	0	R/W	0: microphone supply enabled 1: microphone supply disabled
6	Mic1_Mute_off Mic2_Mute_off	0	R/W	0: microphone input set to mute 1: normal operation
5		0	n/a	
4:0	Mic1L_VOL Mic2L_VOL	00000	R/W	volume settings for left microphone input, adjustable in 32 steps @ 1.5dB 11111: 6 dB gain 11110: 4.5 dB gain .. 00001: -39 dB gain 00000: -40.5 dB gain

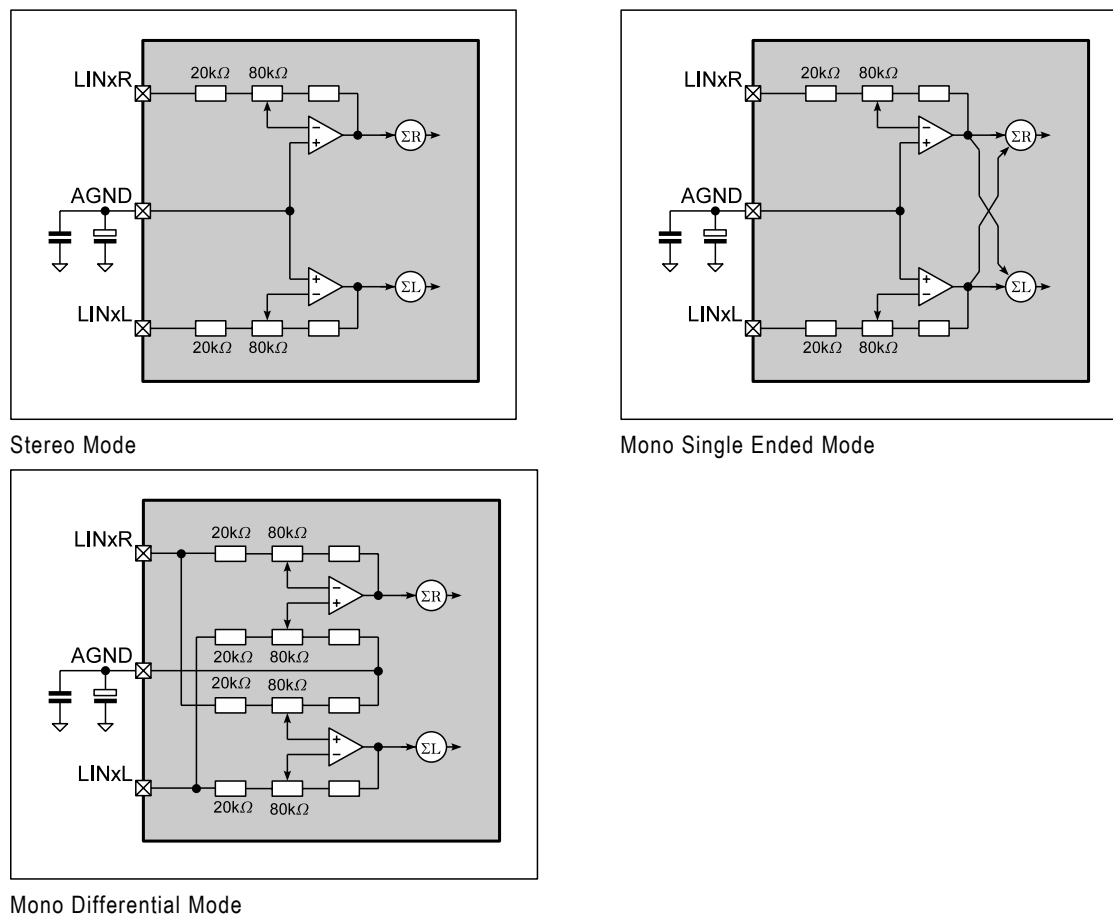
7.4.9 Audio Line Inputs (2x)

7.4.9.1 General

The chip features includes two identical line inputs. The blocks can work in mono differential, 2x mono single ended or in stereo single ended mode.

The volume control has an independent gain regulation for left and right channel with 32 steps @ 1.5dB each. The gain can be set from -34.5dB to +12dB. The stage is set to mute by default. If the line input is not enabled, the volume settings are set to their default values. Changing the volume and mute control can only be done after enabling the input.

Figure 53 Line Inputs



7.4.9.2 Parameter

Figure 54 Line Input Parameter

Symbol	Parameter	Notes	Min	Typ	Max	Unit
A0	Gain	programmable gain	-34.5		12	dB
ΔA_x	Gain Step-Size			1.5		dB
R_{inLINE}	Input Resistance	Mute		49		kOhm
		Min Gain, single ended stereo		100		kOhm
SNR	Signal to Noise Ratio		90			dB
	Mute Attenuation		120			dB

BVDD = 3.3V, T_A = 25°C, f_s = 48kHz unless otherwise mentioned

7.4.9.3 Register Description

Table 125 Line Input Related Register

Name	Base	Offset	Description
AudioSet1	I2C audio master	0x14	Enable/disable driver stage

Table 126 LINE_IN1_R & LINE_IN2_R Register

Name		Base	Default	
LINE_IN1_R, LINE_IN2_R		I2C audio master	0x00	
Offset: 0x0A, 0x0C		Right Line Input Registers		
This register is reset when the block is disabled in AudioSet1 register (0x14) or at a DVDD-POR. The register cannot be written when the block is disabled.				
Bit	Bit Name	Default	Access	Bit Description
7:6		00	n/a	do not change
5	LI1R_Mute_off LI2R_Mute_off	0	R/W	0: right line input is set to mute 1: normal operation
4:0	LI1R_VOL LI2R_VOL	00000	R/W	volume settings for right line input, adjustable in 32 steps @ 1.5dB 11111: 12 dB gain 11110: 10.5 dB gain .. 00001: -33 dB gain 00000: -34.5 dB gain

Table 127 LINE_IN1_L & LINE_IN2_L Register

Name		Base	Default	
LINE_IN1_L, LINE_IN2_L		I2C audio master	0x00	
Offset: 0x0B, 0x0D		Right Line Input Registers		
This register is reset when the block is disabled in AudioSet1 register (0x14) or at a DVDD-POR. The register cannot be written when the block is disabled.				
Bit	Bit Name	Default	Access	Bit Description
7:6	LI1_Mode LI2_Mode	00	R/W	Stereo or mono input selection 00: inputs switched to single ended stereo 01: inputs switched to differential mono 10: inputs switched to single ended mono 11: reserved, do not use.
5	LI1L_Mute_off LI2L_Mute_off	0	R/W	0: left line input is set to mute 1: normal operation
4:0	LI1L_VOL LI2L_VOL	00000	R/W	volume settings for right line input, adjustable in 32 steps @ 1.5dB 11111: 12 dB gain 11110: 10.5 dB gain .. 00001: -33 dB gain 00000: -34.5 dB gain

7.4.10 I2S Digital Audio Interface

7.4.10.1 Input

Digital audio data can be fed into the AS3515A via the I2S interface. These input data are then used by the 18-bit DAC to generate the analog audio signal.

The volume control has an independent gain regulation for left and right channel with 32 steps @ 1.5dB each. The gain can be set from -40.5dB to +6dB. The stage is set to mute by default. If the DAC input is not enabled, the volume settings are set to their default values. Changing the volume and mute control can only be done after enabling the input.

7.4.10.2 Output

This block consists of an audio multiplexer where the signal, which should be recorded, can be selected. The output is then fed through a volume control to the 14 bit ADC. The digital output is done via an I2S interface.

The volume control has an independent gain regulation for left and right channel with 32 steps @ 1.5dB each. The gain can be set from -34.5dB to +12dB. The stage is set to mute by default. If the ADC output is not enabled, the volume settings are set to their default values. Changing the volume and mute control can only be done after enabling the input.

The I2S output uses the same clocks as the I2S input. The sampling rate therefore depends also on the input sampling rate.

7.4.10.3 Signal Description

The digital audio interface uses the standard I2S format:

- left justified
- MSB first
- one additional leading bit

The first 18 bits are taken for DAC conversion. The on-chip synchronization circuit allows any bit-count up to 32 bits. When there are less than 18 bits sampled, the data sample is completed with "0"s. The ADC output is always 16 bits. If more SCLK pulses are provided, only the first 16 will be significant. All following bits will be "0".

SCLK has not to be necessarily synchronous to LRCK but the high going edge has to be separate from LRCK edges. The LRCK signal has to be derived from a jitter-free clock source, because the on-chip PLL is generating a clock for the digital filter, which has to be always in correct phase lock condition to the external LRCK.

The digital part has to provide MCLK (master clock) with $128 \cdot f_s$ (f_s = audio sampling frequency) over-sampling to guarantee a proper DAC and ADC operation.

Figure 55 I2S Left Justified Mode

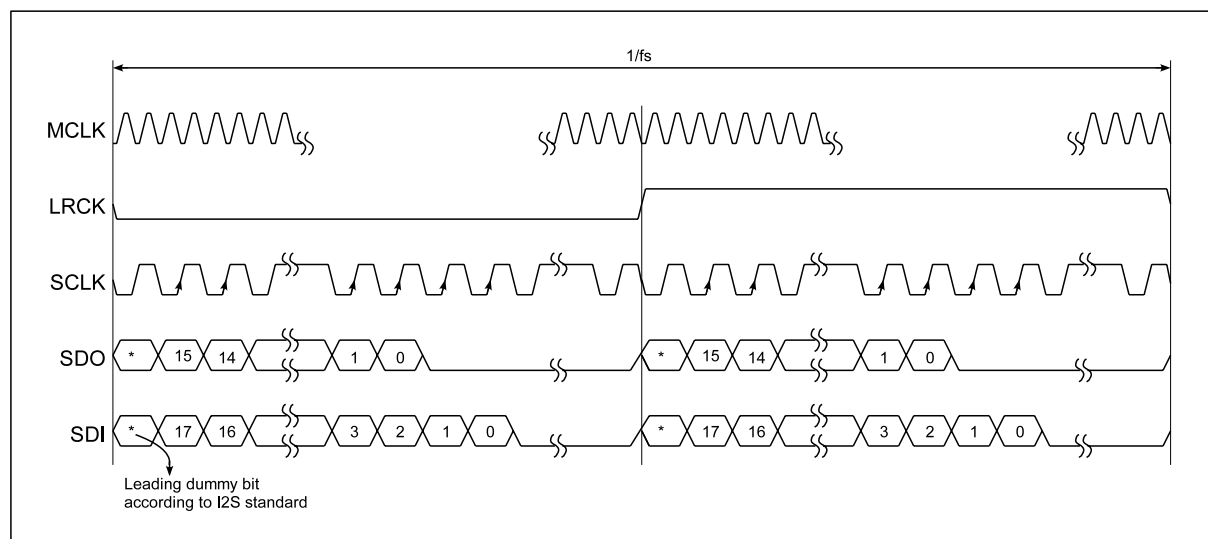
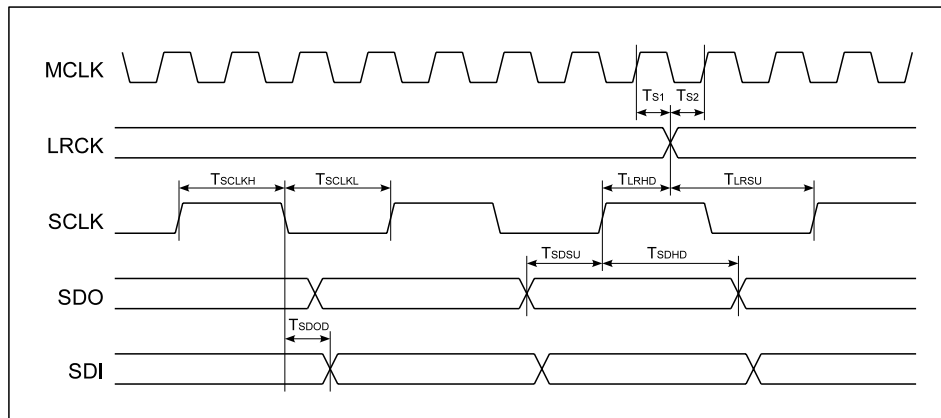


Figure 56 I2S Timing



7.4.10.4 Power Save Options

The bias current of the DAC block can be reduced in three steps down to 50% to reduce the power consumption.

7.4.10.5 Clock Supervision

The digital audio interface automatically checks the LRCK. An interrupt can be generated when the state of the LRCK input changes. A bit in the interrupt register represents the actual state (present or not present) of the LRCK.

7.4.10.6 Parameter

Table 128 Audio Converter Parameter

Symbol	Parameter	Notes	Min	Typ	Max	Unit
A0	Gain	programmable gain DAC input	-43.43		1.07	dB
		programmable gain ADC output	-34.5		12	dB
ΔAx	Gain Step-Size			1.5		dB
	Mute Attenuation		120			dB
I2S inputs / outputs						
V _{IL}		SCLK, LRCK, SDI (30% DVDD/2)	-	-	0.42	V
V _{IH}		SCLK, LRCK, SDI (70% DVDD/2)	1.02	-	DVDD	V
V _{OL}		SDO, IRQ @2mA	-	-	0.3	V
V _{OH}		SDO, IRQ @2mA	2.6	-	-	V
T _{SCLKH}	SCLK clock high time		80			ns
T _{SCLKL}	SCLK clock low time		80			ns
T _{SDSU}	Data set-up time	SDI versus rising edge of SCLK	80			ns
T _{SDHD}	Data hold time	SDI versus rising edge of SCLK	80			ns
T _{SDOD}	Data Output Delay	SDO versus falling edge of SCLK			25	ns
T _{LRSU}	Clock set up time	LRCK versus rising edge of SCLK	80			ns
T _{LRHD}	Clock hold time	LRCK versus rising edge of SCLK	80			ns
T _{S1, TS2}	Clock separation time	MCLK rising edge versus LRCK	20			ns
T _{JITTER}	clock Jitter	LRCK	-20		20	ns

BVDD = 3.3V, DVDD = 2.9V, T_A = 25°C unless otherwise mentioned

7.4.10.7 Register Description

Table 129 Audio Converter Related Register

Name	Base	Offset	Description
AudioSet_1	I2C audio master	0x14	Enable/disable DAC and ADC
AudioSet_2	I2C audio master	0x15	Power save options and dither control
IRQ_ENRD_1	I2C audio master	0x25	Interrupt settings for LRCK changes

Table 130 DAC_R Register

Name		Base		Default
DAC_R		I2C audio master		0x00
Offset: 0x0E		Right DAC output Registers		
This register is reset when the block is disabled in AudioSet1 register (0x14) or at a DVDD-POR. The register cannot be written when the block is disabled.				
Bit	Bit Name	Default	Access	Bit Description
7:5		000	n/a	do not change
4:0	DAR_VOL	00000	R/W	volume settings for right DAC output, adjustable in 32 steps @ 1.5dB 11111: 6 dB gain 11110: 4.5 dB gain .. 00001: -39 dB gain 00000: -40.5 dB gain

Table 131 DAC_L Register

Name		Base		Default
DAC_L		I2C audio master		0x00
Offset: 0x0F		Left DAC output Registers		
This register is reset when the block is disabled in AudioSet1 register (0x14) or at a DVDD-POR. The register cannot be written when the block is disabled.				
Bit	Bit Name	Default	Access	Bit Description
7		0	n/a	
6	DAC_Mute_off	0	R/W	0: DAC output is set to mute 1: normal operation
5		0	n/a	
4:0	DAL_VOL	00000	R/W	volume settings for left DAC output, adjustable in 32 steps @ 1.5dB 11111: 6 dB gain 11110: 4.5 dB gain .. 00001: -39 dB gain 00000: -40.5 dB gain

Table 132 ADC_R Register

Name		Base		Default
ADC_R		I2C audio master		0x00
Offset: 0x10		Right ADC input Registers		
		This register is reset when the block is disabled in AudioSet1 register (0x14) or at a DVDD-POR. The register cannot be written when the block is disabled.		
Bit	Bit Name	Default	Access	Bit Description
7:6	ADCmux	00	R/W	00: Stereo Microphone 01: Line_IN1 10: Line_IN2 11: Audio SUM
5				
4:0	ADR_VOL	00000	R/W	volume settings for right ADC input, adjustable in 32 steps @ 1.5dB 11111: 12 dB gain 11110: 10.5 dB gain .. 00001: -33 dB gain 00000: -34.5 dB gain

Table 133 ADC_L Register

Name		Base		Default
ADC_L		I2C audio master		0x00
Offset: 0x11		Left ADC input Registers		
		This register is reset when the block is disabled in AudioSet1 register (0x14) or at a DVDD-POR. The register cannot be written when the block is disabled.		
Bit	Bit Name	Default	Access	Bit Description
7	AD_FS_4	0	R/W	Divider selection for ADC sampling clock 0: ADC sample clock is I2S LRCK / 2 1: ADC sample clock is I2S LRCK / 4
6	ADC_Mute_off	0	R/W	0: ADC output is set to mute 1: normal operation
5		0	n/a	
4:0	ADL_VOL	00000	R/W	volume settings for left ADC input, adjustable in 32 steps @ 1.5dB 11111: 12 dB gain 11110: 10.5 dB gain .. 00001: -33 dB gain 00000: -34.5 dB gain

7.4.11 Audio Output Mixer

7.4.11.1 General

The mixer stage sums up the audio signals of the following stages

- Microphone Input 1
- Microphone Input 2
- Line Input 1
- Line Input 2
- Digital Audio Input (DAC)

The mixing ratios have to be with the volume registers of the corresponding input stages. Please be sure that the input signals of the mixer stage are not higher than 1V_p. If summing up several signals, each individual signal has of course to be accordingly lower. This shall insure that the output signal is also not higher than 1V_p to get a proper signal for the output amplifier.

This stage features an automatic gain control (AGC), which automatically avoids clipping.

7.4.11.2 Register Description

Audio Mixer Related Register

Name	Base	Offset	Description
AudioSet_1	I2C audio master	0x14	Enable/disable mixer stage
AudioSet_2	I2C audio master	0x15	Enable/disable AGC

The mixer stage has no dedicated registers.

7.4.12 Audio Settings

7.4.12.1 Register Description

Table 134 AudioSet_1 Register

Name		Base		Default
AudioSet_1		I2C audio master		0x00
Offset: 0x14		First Audio Set Register		
This register is reset at a DVDD-POR.				
Bit	Bit Name	Default	Access	Bit Description
7	ADC_on	0	R/W	0: ADC disabled 1: ADC for recording is enabled
6	SUM_on	0	R/W	0: Summing / Mixing stage is disabled (no audio output) 1: Summing / Mixing stage is enabled
5	DAC_on	0	R/W	0: DAC disabled 1: DAC enabled
4	LOUT_on	0	R/W	0: Line output disabled 1: Line output enabled
3	LIN2_on	0	R/W	0: Line input 2 disabled 1: Line input 2 enabled
2	LIN1_on	0	R/W	0: Line input 1 disabled 1: Line input 1 enabled
1	MIC2_on	0	R/W	0: Microphone input 2 disabled 1: Microphone input 2 enabled
0	MIC1_on	0	R/W	0: Microphone input 1 disabled 1: Microphone input 1 enabled

Table 135 AudioSet_2 Register

Name		Base		Default
AudioSet_2		I2C audio master		0x00
Offset: 0x15		Second Audio Set Register		
This register is reset at a DVDD-POR.				
Bit	Bit Name	Default	Access	Bit Description
7	BIAS_off	0	R/W	0: bias enabled 1: bias disabled, for power saving in non audio mode
6	DITH_off	0	R/W	0: add dither to the DAC audio stream 1: no dither added
5	AGC_off	0	R/W	0: automatic gain control for summing stage enabled 1: automatic gain control for summing stage disabled
4:3	IBR_DAC<1:0>	00	R/W	Bias current reduction settings for DAC: 00: 0% 01: 25% 10: 40% 11: 50%
2	LSP_LP	0	R/W	Low power mode for speaker output: 0: speaker output driver set for 40hm to 160hm loads 1: speaker output driver set for 160hm or larger loads
1:0	IBR_LSP<1:0>	00	R/W	Bias current reduction settings for speaker output: 00: 0% 01: 17% 10: 34% 11: 50%

Table 136 AudioSet_3 Register

Name		Base		Default
AudioSet_3		I2C audio master		0x00
Offset: 0x16		Third Audio Set Register		
This register is reset at a DVDD-POR.				
Bit	Bit Name	Default	Access	Bit Description
7:3		00000	n/a	do not change
2	ZCU_off	0	R/W	Zero cross gain update of audio outputs 0: zero cross update enabled 1: zero cross update disabled should be disabled for C21020
1	IBR_HPH	0	R/W	Bias current reduction settings for headphone output: 0: headphone output driver set for 16Ohm load 1: headphone output driver set for 32Ohm load or more
0	HPCM_off	00	R/W	Headphone common mode buffer settings: 0: headphone CM buffer is switched on 1: headphone CM buffer is switched off

7.4.13 VBUS CP & Comparator

7.4.13.1 General

This block will be used to generate VBUS for USB OTG host operation and to read back VBUS voltage levels to support USB OTG protocols.

- Input Voltage DVDD
- Output Voltage 5V (VBUS)
- regulated 1:2 charge pump with pulse skipping
- Driver strength: 10mA

7.4.13.2 Register Description

Table 137 USB_UTIL Register

Name		Base		Default
USB_UTIL		I2C audio master		0x00
Offset: 0x17		USB Utility Register		
This register is reset at a DVDD-POR.				
Bit	Bit Name	Default	Access	Bit Description
7..5		000	n/a	
4	LDO6_on	0	R/W	0: UVDD generation disabled 1: LDO6 for generating UVDD enabled.
3:2	COMP_TH<1:0>	0	R/W	Sets the threshold for the VBUS comparator 00: 4.5V 01: 3.18V 10: 1.5V 11: 0.6V
1	SKIP_ENAB	0	R/W	0: normal operation 1: enables the skip mode for the VBUS 1:2 charge pump. This is increasing the efficiency for smaller loads, but increasing the VBUS ripple.
0	CP_5V_on	0	R/W	0: disables VBUS charge pump 1: enables VBUS charge pump

7.4.14 Auxiliary Oscillator

7.4.14.1 General

This block is a low power oscillator, which can provide a clock to the digital core. CLK_OUT pad of the AFE is connected to clk_int pad of the digital die.

7.4.14.2 Register Description

Table 138 CLOCK_OUT Register

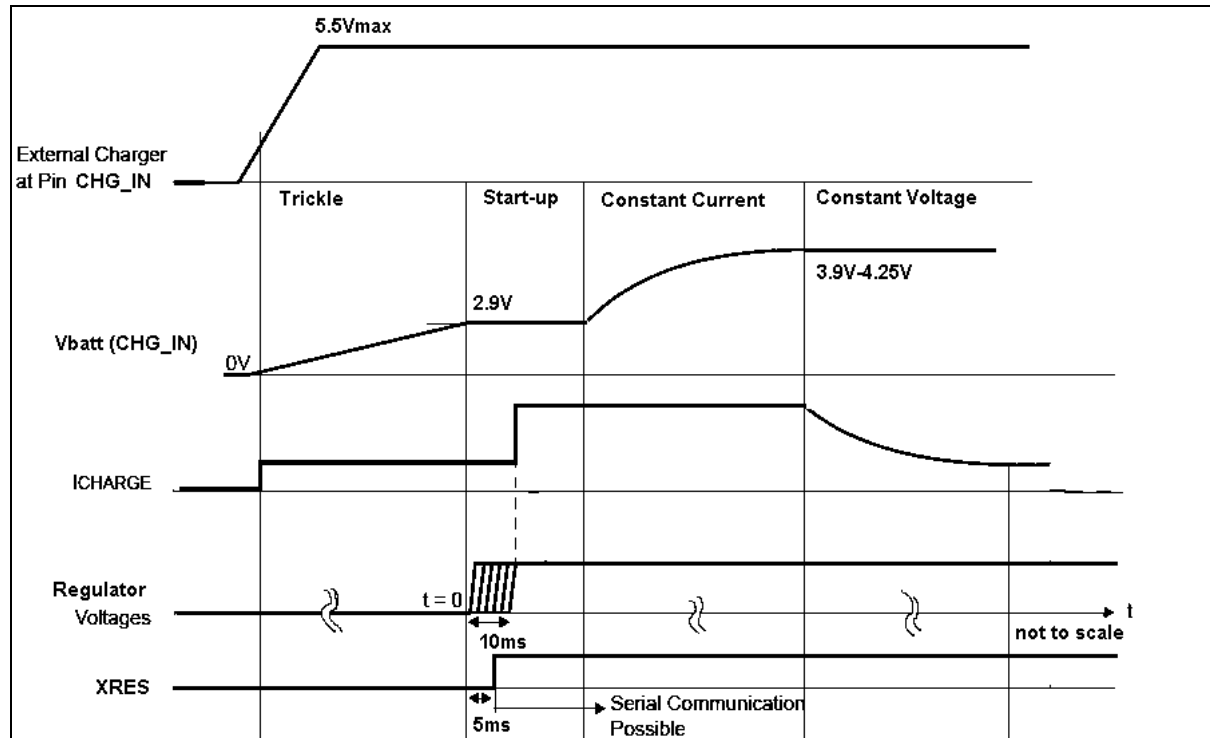
Name		Base		Default
CLOCK_OUT		I2C audio master		0x00
Offset: 0x1D		Clock Output Register		
This register is reset at a DVDD-POR.				
Bit	Bit Name	Default	Access	Bit Description
7..5		000	n/a	
4:3	CLKOUT_mode<1:0>	00	R/W	CLKOUT pin frequency divider 00: oscillator frequency direct mode 01: osc freq. divide by 2 10: osc freq. divide by 4 11: OFF
2:1	CLKOUT_drive<1:0>	00	R/W	CLKOUT pin driver strength adjustment 00: 4mA PushPull 01: 2mA PushPull 10: 1mA PushPull 11: 0.5mA PushPull
0	OSC_pd	0	R/W	0: 24MHz oscillator enabled 1: 24MHz oscillator in power down

7.4.15 Charger

7.4.15.1 General

This block can be used to charge a 4V Li-Io accumulator. It supports constant current and constant voltage charging modes with adjustable charging currents (50 to 400mA) and maximum charging voltage (3.9 to 4.25V).

Figure 57 Charger States



7.4.15.2 Trickle Charge

If the battery voltage is below 3V, the charger goes automatically in trickle charge mode with 50mA charging current and 3.9V endpoint voltage. In this mode charging current and voltage are not precise, but provide a charger function also for deep discharged batteries. The temperature supervision is not enabled in trickle charge mode.

7.4.15.3 Temperature Supervision

This charger block also features a 15uA supply for an external 100k NTC resistor to measure the battery temperature while charging. If the temperature is too high, an interrupt can be generated.

7.4.15.4 Parameter

Table 139 Charger Parameter

Symbol	Parameter	Notes	Min	Typ	Max	Unit
I _{CHG_trick}	Charging Current (trickle charge)	BVDD ≤ 3V, CHG_IN = 5.5V	37	68	111	mA
		BVDD ≤ 3V, CHG_IN = 4.0V	17	32	55	mA
V _{CHG_trick}	Charger Endpoint Voltage (trickle charge)	BVDD ≤ 3V, CHG_IN = 4.4V	0.70* CHG_IN	0.72* CHG_IN	0.74* CHG_IN	V
I _{CHG (0-7)}	Charging Current	BVDD > 3V	I _{NOM} -20%	I _{NOM}	I _{NOM} +20%	mA
V _{CHG (0-7)}	Charging Voltage	BVDD > 3V, end of charge is true	V _{NOM} -50mV	V _{NOM}	V _{NOM} +30mV	V
V _{ON_ABS}	Charger On Voltage IRQ	BVDD = 3V		3.1	4.0	V
V _{ON_REL}	Charger On Voltage IRQ	CHG_IN-CHG_OUT		170	240	mV
V _{OFF_REL}	Charger Off Voltage IRQ	CHG_IN-CHG_OUT	40	77		mV
V _{BATEMP_ON}	Battery Temp. high level (55°C)	BVDD > 3V	380	400	420	mV
V _{BATEMP_OFF}	Battery Temp. low level (50°C)	BVDD > 3V	480	500	520	mV
I _{CHG_OFF}	End Of Charge current level	BVDD > 3V	5% I _{NOM}	10% I _{NOM}	15% I _{NOM}	mA
I _{REV_OFF}	Reverse current shut down	BVDD = 5V, CHG_IN open	160	336	420	nA

BVDD=3.6V; T_{amb}=25°C; unless otherwise specified

7.4.15.5 Register Description

Charger Related Register

Name	Base	Offset	Description
IRQ_ENRD_0	I2C audio master	0x25	Enable/disable EOC and battery over-temperature interrupt Read out charger status

Table 140 Charger Register

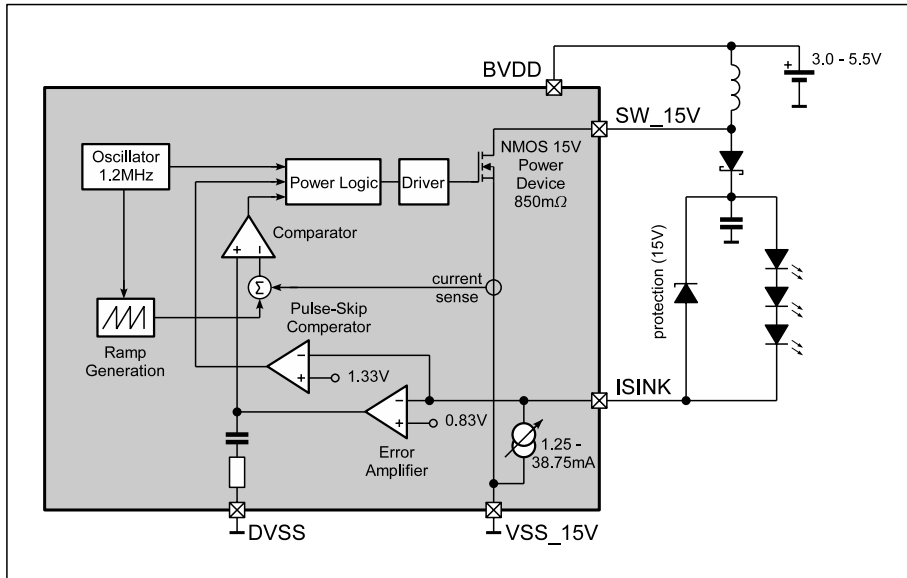
Name		Base		Default
Charger		I2C audio master		0x00
Offset: 0x22		Charger Register		
This register is reset at a DVDD-POR.				
Bit	Bit Name	Default	Access	Bit Description
7	TMPSup_off	0	R/W	0: enables 15uA supply for external 100k NTC resistor 1: disables supply
6:4	CHG_I	000	R/W	set maximum charging current 111: 400 mA 110: 350 mA .. 001: 100 mA 000: 50 mA
3:1	CHG_V	000	R/W	set maximum charger voltage 111: 4.25 V 110: 4.2 V .. 001: 3.95 V 000: 3.9 V
0	CHG_OFF	0	R/W	0: enables Charger 1: disables Charger

7.4.16 15V Step-Up Converter

7.4.16.1 General

The integrated Step-Up DC/DC Converter is a high efficiency current-mode PWM regulator, providing an output voltage up to 15V. A constant switching-frequency results in a low noise on supply and output voltages. When using an additional transistor the output voltage can be up to 25V to drive 6 white LED in series.

It has an adjustable sink current (1.25 to 38.75mA) to provide e.g. dimming function when driving white LEDs as back-light.



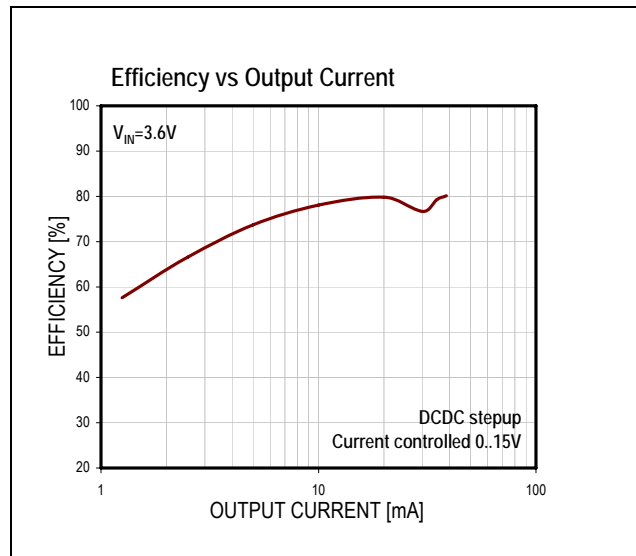
7.4.16.2 Parameter

Table 141 15V Step-Up Converter Parameter

Symbol	Parameter	Notes	Min	Typ	Max	Unit
V _{SW}	High Voltage Pin	Pin SW15	0		15	V
I _{VDD}	Quiescent Current	Pulse Skipping mode		140		μA
V _{FB}	Feedback Voltage, Transient	Pin ISINK	0		5.5	V
V _{FB}	Feedback Voltage, during Regulation	Pin ISINK	0.65	0.83	1.0	V
I _{SW_MAX}	Current Limit	V15_ON = 1	350	510	750	mA
R _{SW}	Switch Resistance	V15_ON = 0		0.85	1.54	Ω
I _{LOAD}	Load Current	@ 15V output voltage	0		45	mA
V _{PULSESKIP}	Pulse-skip Threshold	Voltage at pin ISINK, pulse skips are introduces when load current becomes too low.	1.2	1.33	1.5	V
F _{IN}	Fixed Switching Frequency		0.5	0.55	0.6	MHz
C _{OUT}	Output Capacitor	Ceramic		1		μF
L (Inductor)	I _{LOAD} > 20mA	Use inductors with small C _{PARASITIC} (<100pF) for high efficiency	17	22	27	μH
	I _{LOAD} < 20mA		8	10	27	
t _{MIN_ON}	Minimum On-Time		90		180	ns
MDC	Maximum Duty Cycle	Guaranteed per design	88	91	94	%

BVDD=3.6V; T_{amb}=25°C; unless otherwise specified

Figure 58 15V Step-Up Performance Characteristics



7.4.16.3 Register Description

Table 142 DCDC15 Register

Name		Base		Default
DCDC15		I2C audio master		0x00
Offset: 0x23		15V DCDC Register		
This register is reset at a DVDD-POR.				
Bit	Bit Name	Default	Access	Bit Description
7:5		000	n/a	
4:0	I_V15<4..0>	00000	R/W	defines the current through the LED = 1.25mA * I_V15 00000: DCDC15 switched off 00001: 1.25mA 00010: 2.5mA .. 11110: 37.5mA 11111: 38.75mA

7.4.17 Supervisor

7.4.17.1 General

This supervisor function can be used for automatic detection of BVDD brown out or junction over-temperature condition.

7.4.17.2 BVDD Supervision

The supervision level can be set in 8 steps @ 60mV from 2.74 to 3.16V. If the level is reached an interrupt can be generated. If BVDD reaches 2.6V the AFE shuts down automatically.

7.4.17.3 Junction Temperature Supervision

The temperature supervision level can also be set by 5 bits (120 to -15°C). If the temperature reaches this level, an interrupt can be generated. The over-temperature shutdown level is always 20°C higher. If the IRQ level is set to 120°C the shutdown is disabled.

7.4.17.4 Register Description

Table 143 Supervisor Related Register

Name	Base	Offset	Description
IRQ_ENRD_0	I2C audio master	0x25	Enable/disable battery brown out interrupt
IRQ_ENRD_1	I2C audio master	0x26	Enable/disable junction temperature interrupt

Table 144 Supervisor Register

Name		Base	Default																			
Supervisor		I2C audio master	0x00																			
Offset: 0x24		Supervisor Register																				
This register is reset at a DVDD-POR.																						
Bit	Bit Name	Default	Access	Bit Description																		
7:5	BVDD_Sup<2:0>	000	R/W	supervision of BVDD brown out V_BrownOut=2.74+x*60mV 000: 2.74V 001: 2.80V ... 110: 3.10V 111: 3.16V																		
4:0	JT_Sup<4:0>	00000	R/W	junction temperature supervision: Temp_ShutDown=140-x*5°C Temp_IRQ=120-x*5°C JT_Sup IRQ Shutdown <table border="1" style="margin-left: 20px;"> <tr> <td>00000</td> <td>120°C</td> <td>140°C (Off for C21020)</td> </tr> <tr> <td>00001</td> <td>115°C</td> <td>135°C</td> </tr> <tr> <td>.</td> <td>.</td> <td>.</td> </tr> <tr> <td>.</td> <td>.</td> <td>.</td> </tr> <tr> <td>11110</td> <td>-30°C</td> <td>-10°C</td> </tr> <tr> <td>11111</td> <td>-35°C</td> <td>-15°C</td> </tr> </table>	00000	120°C	140°C (Off for C21020)	00001	115°C	135°C	11110	-30°C	-10°C	11111	-35°C	-15°C
00000	120°C	140°C (Off for C21020)																				
00001	115°C	135°C																				
.	.	.																				
.	.	.																				
11110	-30°C	-10°C																				
11111	-35°C	-15°C																				

7.4.18 Interrupt Generation

7.4.18.1 General

All interrupt sources can get enabled or disabled by corresponding bits in the 3 IRQ-bytes. By default no IRQ source is enabled.

The IRQ output can get configured to be PUSH/PULL or OPEN_DRAIN and ACTIVE_HIGH or ACTIVE_LOW with 2 bits in IRQ_ENRD_2 register (0x27). Default state is open drain and active_low.

7.4.18.2 IRQ Source Interpretation

There are 3 different modules to process interrupt sources:

7.4.18.3 LEVEL

The IRQ output is kept active as long as the interrupt source is present and this IRQ-Bit is enabled

7.4.18.4 EDGE

The IRQ gets active with a high going edge of this source. The IRQ stays active until the corresponding IRQ-Register gets read.

7.4.18.5 STATUS CHANGE

The IRQ gets active when the source-state changes. The change bit and the status can be read to notice which interrupt was the source. The IRQ stays active until the corresponding interrupt register gets read.

7.4.18.6 De-bouncer

There is a de-bounce function implemented for USB and CHARGER. Since these 2 signals can be unstable for the phase of plug-in or unplug, a de-bounce time of 512ms/256ms/128ms can be selected by 2 bits in the IRQ_ENRD2 register (0x27h).

Table 145 First Interrupt Register

Name		Base		Default
IRQ_ENRD_0		I2C audio master		0x00
Offset: 0x25		First Interrupt Register		
		Please be aware that writing to this register will enable/disable the corresponding interrupts, while with reading you get the actual interrupt status and will clear the register at the same time. It is not possible to read back the interrupt enable/disable settings. This register is reset at a DVDD-POR.		
Bit	Bit Name	Default	Access	Bit Description
7	CHG_tmphigh (level)	0	W	battery over-temperature interrupt setting 0: disable 1: enable The interrupt must not be enabled if the charger block and battery temperature supervision is disabled
		x	R	Battery over-temperature interrupt reading 0: battery temperature below 55°C 1: battery temperature was too high and the charger was turned off. The charger will be turned on again, when the temperature gets below 50°C
6	CHG_endofch (edge)	0	W	Battery end of charge interrupt setting 0: disable 1: enable The interrupt must not be enabled if the charger block is disabled
		x	R	Battery end of charge interrupt reading 0: battery charging in progress 1: charging is complete, turn charger off To check end of charge again the charger has to be turned on.
5	CHG_status	x	R	0: no charger input source connected 1: charger input source connected, also valid if charger is connected during wakeup

Name		Base		Default
IRQ_ENRD_0		I2C audio master		0x00
Offset: 0x25		First Interrupt Register		
		Please be aware that writing to this register will enable/disable the corresponding interrupts, while with reading you get the actual interrupt status and will clear the register at the same time. It is not possible to read back the interrupt enable/disable settings. This register is reset at a DVDD-POR.		
Bit	Bit Name	Default	Access	Bit Description
4	CHG_changed (status change)	0	W	Charger input status change interrupt setting 0: disable 1: enable enables an interrupt on a low to high or high to low change of CHG_IN pin. The thresholds are set in
		x	R	Charger input status change interrupt reading 0: charger input status not changed 1: charger input status changed, check CHG_status
3	USB_status	x	R	0: no USB input connected 1: USB input connected, also valid if USB is connected during wakeup
2	USB_changed (status change)	0	W	USB input status change interrupt setting 0: disable 1: enables an interrupt on a low to high or high to low change of VBUS pin. The threshold can be set in the USB_UTIL register (0x17)
		x	R	USB input status change interrupt reading 0: USB input status not changed 1: USB input status changed, check USB_status
1	RVDD_waslow (level)	0	W	Real time clock supply interrupt setting 0: disable 1: enable
		x	R	Real time clock supply interrupt reading 0: RTC supply o.k. 1: RTC supply was low, RTC not longer valid The interrupt gets set during power-up even if the interrupt is not enabled. For a valid reading, the interrupt has to be enabled first.
0	BVDD_islow	0	W	Supervisor BVDD interrupt setting 0: disable 1: enable
		x	R	Supervisor BVDD interrupt setting 0: BVDD is above brown out level 1: BVDD has reached brown out level The threshold can be set in the SUPERVISOR register (0x24)

Table 146 Second Interrupt Register

Name		Base		Default
IRQ_ENRD_1		I2C audio master		0x00
Second Interrupt Register				
Offset: 0x26		Please be aware that writing to this register will enable/disable the corresponding interrupts, while with reading you get the actual interrupt status and will clear the register at the same time. It is not possible to read back the interrupt enable/disable settings. This register is reset at a DVDD-POR.		
		Bit	Bit Name	Default
7	JTEMP_high (level)	0	W	Supervisor junction over-temperature interrupt setting 0: disable 1: enable
		x	R	Supervisor junction over-temperature interrupt reading 0: chip temperature below threshold 1: chip temperature has reached the threshold The threshold can be set in the SUPERVISOR register (0x24)
6	LSP_overcurr (level)	0	W	Speaker over-current interrupt setting 0: disable 1: enable The interrupt must not be enabled if the speaker block is disabled
		x	R	Speaker over-current interrupt reading 0: no over-current detected 1: speaker over-current detected, speaker amplifier was shut down. The shut-down time can be set in LSP_OUT_R register (0x04)
5	HPH_overcurr (level)	0	W	Headphone over-current interrupt setting 0: disable 1: enable The interrupt must not be enabled if the headphone block is disabled
		x	R	Headphone over-current interrupt reading 0: no over-current detected 1: headphone over-current detected, headphone amplifier was shut down. The shut-down time can be set in HPH_OUT_R register (0x02)
4	I2S_status	x	R	0: no LRCK on I2S interface detected 1: LRCK on I2S interface present
3	I2S_changed (status change)	0	W	I2S input status change interrupt setting 0: disable 1: enable
		x	R	I2S input status change interrupt reading 0: I2S input status not changed 1: I2S input status changed, check I2S_status
2	MIC2_connect (level)	0	W	Microphone 2 connect detection interrupt setting 0: disable 1: enable
		x	R	Microphone 2 connect detection interrupt reading 0: no microphone connected to MIC2 input 1: microphone connected at MIC2 input. IRQ will be released after enabling the microphone stage. Detecting a microphone during operation has to be done by measuring the supply current.

1	MIC1_connect (level)	0	W	Microphone 1 connect detection interrupt setting 0: disable 1: enable
		x	R	Microphone 1 connect detection interrupt reading 0: no microphone connected to MIC1 input 1: microphone connected at MIC1 input. IRQ will be released after enabling the microphone stage. Detecting a microphone during operation has to be done by measuring the supply current.
0	HPH_connect (level)	0	W	Headphone connect detection interrupt setting 0: disable 1: enable
		x	R	Headphone connect detection interrupt reading 0: no headphone connected 1: headphone connected IRQ will be released after enabling the headphone stage. Detecting a headphone during operation is not possible.

Table 147 Third Interrupt Register

Name		Base		Default
IRQ_ENRD_2		I2C audio master		0x00
Offset: 0x27		Third Interrupt Register		
		Please be aware that writing to this register will enable/disable the corresponding interrupts, while with reading you get the actual interrupt status and will clear the register at the same time. It is not possible to read back the interrupt enable/disable settings. This register is reset at a DVDD-POR.		
Bit	Bit Name	Default	Access	Bit Description
7:6	T_deb<1:0>	00	R/W	Sets the USB and Charger connect de-bounce time: 00: 512ms 01: 256ms 10: 128ms 11: not defined
5	IRQ_Acthigh	0	R/W	Sets the active output state of the INTRQ line: 0: IRQ is active low 1: IRQ is active high
4	IRQ_PushPull	0	R/W	Sets the INTRQ output buffer type: 0: IRQ output is open drain 1: IRQ output is push pull
3	Remote_Det2 (edge)	0	W	Microphone 2 remote key press detection interrupt setting 0: disable 1: enable
		x	R	Microphone 2 remote key press detection interrupt reading 0: no key press detected 1: Microphone 2 supply current got increased, remote key press detected -> measure MSUP2 supply current
2	Remote_Det1 (edge)	0	W	Microphone 1 remote key press detection interrupt setting 0: disable 1: enable
		x	R	Microphone 1 remote key press detection interrupt reading 0: no key press detected 1: Microphone 1 supply current got increased, remote key press detected -> measure MSUP1 supply current
1	RTC_update (edge)	0	W	RTC timer interrupt setting 0: disable 1: enable

Name		Base		Default
IRQ_ENRD_2		I2C audio master		0x00
Offset: 0x27		Third Interrupt Register		
		Please be aware that writing to this register will enable/disable the corresponding interrupts, while with reading you get the actual interrupt status and will clear the register at the same time. It is not possible to read back the interrupt enable/disable settings. This register is reset at a DVDD-POR.		
Bit	Bit Name	Default	Access	Bit Description
		x	R	RTC timer interrupt reading 0: not RTC interrupt occurred 1: RTC timer interrupt occurred. Selecting minute or second interrupt can be done via RTCT register (0x29)
0	ADC_EndCon (edge)	0	W	ADC end of conversion interrupt setting 0: disable 1: enable
		x	R	ADC end of conversion interrupt reading 0: ADC conversion not finished 1: ADC conversion finished. Read out ADC_0 and ADC_1 register to get the result (0x2E & 0x2F)

7.4.19 Real Time Clock

7.4.19.1 General

The real time clock block is an independent block, which is still working even when the chip is shut down. The only condition for this operation is that BVDD has a voltage of above 1.0V. The block uses a standard 32kHz crystal that is connected to a low power oscillator. An internal 32bit second register stores the current time.

The RTC block has special functions for trimming the time base and generating interrupts every second or minute.

7.4.19.2 RTC supply

The internal RTC is supplied via the BVDD pin. The block has an internal LDO to generate the RTC supply voltage on RVDD pin. This voltage can be programmed via the RTCV register (0x28h). If the internal RTC is not used, RVDD can be used to supply an external RTC block.

If the supply voltage on BVDD pin rises, the whole chip gets powered up. See also power-up conditions in chapter 7.4.1.2.

7.4.19.3 Register Description

Table 148 RTC Related Register

Name	Base	Offset	Description
IRQ_ENRD_0	I2C audio master	0x25	Interrupt settings for RVDD under-voltage detection
IRQ_ENRD_2	I2C audio master	0x27	Interrupt settings for getting a second or minute interrupt

Table 149 RTCV Register

Name		Base	Default	
RTCV		I2C audio master	0x23	
Offset: 0x28		RTC Voltage Register		
This register is reset at a RVDD-POR. (DVDD_POR for C21020)				
Bit	Bit Name	Default	Access	Bit Description
7:4	VRTC<3..0>	0010	R/W	Sets the RTC supply voltage, 16 steps @ 0.1V, default is 1.2V 0000: 1V 0001: 1.1V 0010: 1.2V ... 1110: 2.4V 1111: 2.5V
3:2	-	00	n/a	do not change
1	RTC_ON	1	R/W	RTC clock control: 0: Disable clock for RTC 1: Enables clock for RTC
0	OSC_ON	1	R/W	RTC oscillator control: 0: Disables RTC oscillator 1: Enables RTC oscillator

Table 150 RTCV Register

Name		Base		Default
RTCT		I2C audio master		0x40
Offset: 0x29		RTC Timing Register		
This register is reset at a RVDD-POR. (DVDD_POR for C21020)				
Bit	Bit Name	Default	Access	Bit Description
7	IRQ_MIN	0	R/W	0: generates an interrupt every second 1: generates an interrupt every minute
6:0	TRTC<6:0>	1000000	R/W	Trimming register for RTC, 128 steps @ 7.6ppm 000000: 1 (7.6ppm) 000001: 2 (15.2ppm) ... 100000: 64 (488ppm) ... 111110: 126 (960.8ppm) 111111: 127 (968.4ppm)

Table 151 RTC_0 to RTC_3 Register

Name		Base		Default
RTC_0 to RTC_3		I2C audio master		0x00 00 00 00
Offset: 0x2A to 0x2D		Unique ID Register		
This register is reset at a RVDD-POR.				
Adr.	Byte Name	Default	Access	Bit Description
0x2A	RTC_0	0x00	R/W	RTC<7:0>; RTC seconds bits 0 to 7
0x2B	RTC_1	0x00	R/W	RTC<15:8>; RTC seconds bits 8 to 15
0x2C	RTC_2	0x00	R/W	RTC<23:9>; RTC seconds bits 9 to 23
0x2D	RTC_3	0x00	R/W	RTC<31:24>; RTC seconds bits 24 to 31

7.4.20 10-Bit ADC

7.4.20.1 General

This general purpose ADC can be used for measuring several voltages and currents to perform functions like battery monitor, temperature supervision, button press detection, etc.. Please note that C21020 is measuring BVDD instead of CHG_OUT

7.4.20.2 Input Sources

Table 152 ADC10 Input Sources

Nr.	Source	Range	LSB	Description
0	CHG_OUT	5.120V	5mV	check battery voltage of 4V Lilo accumulator
1	RTCSUP	5.120V	5mV	check RTC backup battery voltage (connected to BVDD inside the package)
2	VBUS	5.120V	5mV	check USB host voltage
3	CHG_IN	5.120V	5mV	check charger input voltage
4	CVDD	2.560V	2.5mV	check charge pump output voltage
5	BatTemp	2.560V	2.5mV	check battery charging temperature
6	MicSup1	2.560V	2.5mV	check voltage on MicSup1 for remote control or external voltage measurement
7	MicSup2	2.560V	2.5mV	check voltage on MicSup2 for remote control or external voltage measurement
8	VBE1	1.024	1mV	measuring junction temperature
9	VBE2	1.024	1mV	measuring junction temperature
10	I_MicSup1	1.024mA typ.	1.0uA	check current of MicSup1 for remote control detection
11	I_MicSup2	1.024mA typ.	1.0uA	check current of MicSup2 for remote control detection
12	VBAT	2.560V	2.5mV	check single cell battery voltage
13..15	Reserved	1.024V	1mV	for testing purpose only

CHG_OUT, RTCSUP, VBUS, CHG_IN

These sources are fed into an 1/5 voltage divider (180kΩ typ.) and further amplified by 2.5.

CVDD, BatTemp, MicSup1, MicSup2

These sources are fed directly to the ADC input multiplexer.

VBE1, VBE2

These inputs are first amplified by 2.5 and then fed to the ADC input multiplexer.

I_MicSup1, I_MicSup2

The measurement of the microphone supply LDOs is not very accurate, as the current-voltage conversion is only done by a single resistor which shows wide process and temperature variations. These measurements should be only used for remote function detection.

VBAT

This source is divided by 2.5 with a voltage divider (180kΩ typ.) and then amplified by 2.5. This has to be done, as VBAT can represent voltages up to 3.6V. Please note, that the maximum measurement range will be still 2.560V

7.4.20.3 Reference

AVDD=2.9V is used as reference to the ADC. AVDD is trimmed to +/-20mV with over all precision of +/-29mV. So the absolute accuracy is +/-1%.

7.4.20.4 Parameter

Table 153 ADC10 Parameter

Symbol	Parameter	Notes	Min	Typ	Max	Unit
R _{DIV}	Input Divider Resistance	CHG_OUT, RTCSUP, VBUS, CHG_IN, VBAT	138k	180k	234k	Ω
ADC _{FS}	ADC Full Scale Range		2.534	2.56	2.586	V
Ratio1	Division Factor 1	CHG_OUT, RTCSUP, VBUS, CHG_IN	0.198	0.2	0.202	1
Ratio2	Division Factor 2	VBAT	0.396	0.4	0.404	1
Gain	ADC Gain Stage		2.475	2.5	2.525	V
T _{CON}	Conversion Time		-	34	50	μs
I _{MICFS}	I _{MicSup1/2} Full Scale Range		0.7	1.0	1.4	mA

BVDD=3.6V; T_{amb}=25°C; unless otherwise specified

7.4.20.5 Register Description

Table 154 ADC10 Related Register

Name	Base	Offset	Description
IRQ_ENRD_2	I2C audio master	0x27	Interrupt settings for end of conversion interrupt

Table 155 ADC_0 Register

Name		Base		Default
ADC_0		I2C audio master		0000 00xx
Offset: 0x2E		First 10-bit ADC Register		
Writing to this register will start the measurement of the selected source. This register is reset at a DVDD-POR, exception are bit 8 and 9.				
Bit	Bit Name	Default	Access	Bit Description
7:4	ADC_Source	00000000	R/W	Selects ADC input source 0000: CHG_OUT 0001: RTCSUP 0010: VBUS 0011: CHG_IN 0100: CVDD 0101: BatTemp 0110: MicSup1 0111: MicSup2 1000: VBE_1uA 1001: VBE_2uA 1010: I _{MicSup1} 1011: I _{MicSup2} 1100: VBAT 1101: reserved 1110: reserved 1101: reserved
3:2	-	00	n/a	do not change
1:0	ADC<9:8>	xx	R/W	ADC result bit 9 to 8

Table 156 ADC_1 Register

Name		Base		Default
ADC_1		I2C audio master		xxxx xxxx
Offset: 0x2F		Second 10-bit ADC Register		
This register is not reset.				
Bit	Bit Name	Default	Access	Bit Description
7:0	ADC<7:0>	xxxx xxxx	R/W	ADC result bit 7 to 0

7.4.21 128 bit OTP ROM

7.4.21.1 General

This fuse array is used to store a unique identification number, which can be used for DRM issues. The number is generated and programmed during the production process.

7.4.21.2 Register Description

Table 157 UID_0 to UID_15 Register

Name		Base		Default
UID_0 to UID_15		I2C audio master		n/a
Offset: 0x30 to 0x3F		Unique ID Register		
This register is read only and is not reset.				
Adr.	Byte Name	Default	Access	Bit Description
0x30	UID_0	0x00	R	Unique ID byte 0
0x31	UID_1	0x00	R	Unique ID byte 1
0x32	UID_2	0x00	R	Unique ID byte 2
0x33	UID_3	0x00	R	Unique ID byte 3
0x34	UID_4	0x00	R	Unique ID byte 4
0x35	UID_5	0x00	R	Unique ID byte 5
0x36	UID_6	0x00	R	Unique ID byte 6
0x37	UID_7	0x00	R	Unique ID byte 7
0x38	UID_8	n/a	R	Unique ID byte 8
0x39	UID_9	n/a	R	Unique ID byte 9
0x3A	UID_10	n/a	R	Unique ID byte 10
0x3B	UID_11	n/a	R	Unique ID byte 11
0x3C	UID_12	n/a	R	Unique ID byte 12
0x3D	UID_13	n/a	R	Unique ID byte 13
0x3E	UID_14	n/a	R	Unique ID byte 14
0x3F	UID_15	n/a	R	Unique ID byte 15

7.4.22 2-Wire-Serial Control Interface

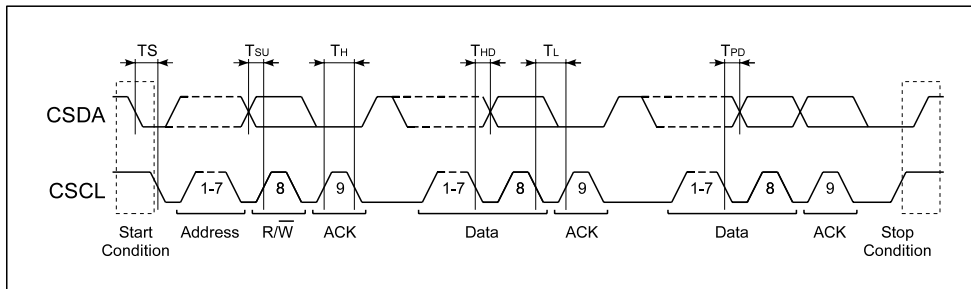
7.4.22.1 General

There is an I2C slave block implemented to have access to 64 byte of setting information.

The I2C address is: Adr_Group8 - audio processors

- 8Ch_write
- 8Dh_read

Figure 59 I2C timing



7.4.22.2 Parameter

Table 158 I2C Operating Conditions

Symbol	Parameter	Notes	Min	Typ	Max	Unit
V _{IL}	Input low voltage	CSCL, CSDA (max 30%DVDD)	0		0.87	V
V _{IH}	Input high voltage	CSCL, CSDA (min 70%DVDD)	2.03		5.5	V
HYST	Hysteretic	CSCL, CSDA	200	450	800	mV
V _{OL}	Output low voltage	CSDA @3mA		-	0.4	V
T _{sp}	Spike insensitivity		50	100		ns
T _H	Clock high time		500			ns
T _L	Clock low time		500			ns
T _{SU}	Data setup time	CSDA has to change T _{SU} before rising edge of CSCL	100			ns
T _{HD}	Data hold time	No hold time needed for CSDA relative to rising edge of CSCL	0			ns
T _S	Clock start-condition hold time	CSCL HIGH hold time relative to CSDA edge for start/stop/rep_start	200			ns
T _{PD}	Output delay	CSDA propagation delay relative to low going edge of CSCL	24	50	80	ns

DVDD =2.9V, T_{amb}=25°C; unless otherwise specified

7.4.22.3 Register Description

Registers Overview (00h to 3Fh)

Table 159 I2C Register Overview

Addr	Name	D<7>	D<6>	D<5>	D<4>	D<3>	D<2>	D<1>	D<0>
00h	LINE_OUT_R	reserved		-	LOR_Vol<4:0> Gain from Mixer_Out to Line_Out= (-40.5dB ... +6dB)				
		0	0	0	0	0	0	0	0
01h	LINE_OUT_L	LO_SES_DM<1:0>		-	LOL_Vol<4:0> Gain from Mixer_Out to Line_Out= (-40.5dB ... +6dB)				
		0	0	0	0	0	0	0	0
02h	HPH_OUT_R	HP_OVC_TO<1:0>		-	HPR_Vol<4:0> Gain from Mixer_Out to HPH_Out= (-45.43dB ... +1.07dB)				
		0	0	0	0	0	0	0	0
03h	HPH_OUT_L	HP_Mute_on	HP_on	HPdet_on	HPL_Vol<4:0> Gain from Mixer_Out to HPH_Out= (-45.43dB ... +1.07dB)				
		0	0	0	0	0	0	0	0
04h	LSP_OUT_R	SP_OVC_TO<1:0>		-	SPR_Vol<4:0> Gain from Mixer_Out to LSP_Out= (-40.5dB ... +6.0dB)				
		0	0	0	0	0	0	0	0
05h	LSP_OUT_L	SP_Mute_on	SP_on	-	SPL_Vol<4:0> Gain from Mixer_Out to LSP_Out= (-40.5dB ... +6.0dB)				
		0	0	0	0	0	0	0	0
06h	MIC1_R	Mic1_AGC_off	Mic1_Gain<1:0>		Mic1R_Vol<4:0> Gain from MicAmp_Out to Mixer_In= (-40.5dB ... +6.0dB)				
		0	0	0	0	0	0	0	0
07h	MIC1_L	Mic1_Sup_off	Mic1_Mute_off	-	Mic1L_Vol<4:0> Gain from MicAmp_Out to Mixer_In= (-40.5dB ... +6.0dB)				
		0	0	0	0	0	0	0	0
08h	MIC2_R	Mic2_AGC_off	Mic2_Gain<1:0>		Mic2R_Vol<4:0> Gain from MicAmp_Out to Mixer_In= (-40.5dB ... +6.0dB)				
		0	0	0	0	0	0	0	0
09h	MIC2_L	Mic2_Sup_off	Mic2_Mute_off	-	Mic2L_Vol<4:0> Gain from MicAmp_Out to Mixer_In= (-40.5dB ... +6.0dB)				
		0	0	0	0	0	0	0	0
0Ah	Line_IN1_R	-	-	LI1R_Mute_off	LI1R_Vol<4:0> Gain from LineIn_Pin to Mixer_In= -34.5dB+LI1R_VOL*1.5dB (-34.5dB ... +12dB)				
		0	0	0	0	0	0	0	0
0Bh	Line_IN1_L	LI1_Mode<1:0>		LI1L_Mute_off	LI1L_Vol<4:0> Gain from LineIn_Pin to Mixer_In= (-34.5dB ... +12dB)				
		0	0	0	0	0	0	0	0
0Ch	Line_IN2_R	-	-	LI2R_Mute_off	LI2R_Vol<4:0> Gain from LineIn_Pin to Mixer_In= (-34.5dB ... +12dB)				
		0	0	0	0	0	0	0	0
0Dh	Line_IN2_L	LI2_Mode<1:0>		LI2L_Mute_off	LI2L_Vol<4:0> Gain from LineIn_Pin to Mixer_In= (-34.5dB ... +12dB)				
		0	0	0	0	0	0	0	0
0Eh	DAC_R	-	-	-	DAR_Vol<4:0> Gain from DAC_Out to Mixer_In= (-40.5dB ... +6dB)				
		0	0	0	0	0	0	0	0

Addr	Name	D<7>	D<6>	D<5>	D<4>	D<3>	D<2>	D<1>	D<0>	
0Fh	DAC_L	-	DAC_Mute_off	-	DAL_Vol<4:0> Gain from DAC_Out to Mixer_In= (-40.5dB ... +6dB)					
		0	0	0	0	0	0	0	0	
10h	ADC_R	ADCMux<1:0>		-	ADR_Vol<4:0> Gain from ADCMux_Out to ADC_In= (-34.5dB ... +12dB)					
		0	0	0	0	0	0	0	0	
11h	ADC_L	AD_FS2	DAC_Mute_off	-	ADL_Vol<4:0> Gain from ADCMux_Out to ADC_In= (-34.5dB ... +12dB)					
		0	0	0	0	0	0	0	0	
14h	AudioSet1	ADC_on	SUM_on	DAC_on	LOUT_on	LIN2_on	LIN1_on	MIC2_on	MIC1_on	
		0	0	0	0	0	0	0	0	
15h	AudioSet2	BIAS_off	DITH_off	AGC_off	IBR_DAC<1:0>		LSP_LP	IBR_LSP<1:0>		
		0	0	0	0	0	0	0	0	
16h	AudioSet3	-	-	-	-	-	ZCU_OFF	IBR_HPH	HPCM_off	
		0	0	0	0	0	0	0	0	
17h	USB_UTIL	-	-	-	LDO6_on	COMP_TH<1:0>		SKIP_ENAB	CP_5V_on	
		0	0	0	0	0	0	0	0	
1Dh	CLOCK_OUT	-	-	-	CLK_OUT_mode<1:0>		CLKOUT_drive<1:0>	OSC_pd		
		0	0	0	0	0	0	0	0	
20h	SYSTEM	Design_Version<3:0>				PVDDp	IOVDDp	EnWDogPw dn	PwrUPHId	
		0	0	1	0	0	0	0	0	1
21h	CVDD/DCDC3	CP_SW	CP_on	LREG_C P_not	DCDC3p<1:0>			LREG_off	CVDDp<1:0>	
		0	0	0	0	0	0	0	0	0
22h	CHARGER	TmpSup_off	CHGI<2:0>			CHGV<2:0>			CHG_off	
		0	0	0	0	0	0	0	0	0
23h	DCDC15	-	I_V15<4:0>							
		0	0	0	0	0	0	0	0	
24h	SUPERVISOR	BVDD_Sup<2:0>			JT_Sup<4:0>					
		0	0	0	0	0	0	0	0	0
25h	IRQ_ENRD0	CHG tmphigh	CHG endofch	CHG status	CHG changed	USB status	USB changed	RVDD was low	BVDD Is low	
		0	0	0	0	0	0	0	0	0
26h	IRQ_ENRD1	JTEMP high	LSP overcurr	HPH overcurr	I2S status	I2S changed	Mic2 connect	Mic1 connect	HeadPh Connect	
		0	0	0	0	0	0	0	0	0
27h	IRQ_ENRD2	T_deb<1:0>		IRQ_ActH igh	IRQ_PushP ull	Remote_Det 2	Remote_D et1	RTC_Updat e	ADC_EndCo n	
		0	0	0	0	0	0	0	0	0
28h	RTCV	VRTC<3:0>			-	RTC_ON			OSC_ON	
		0	0	1	0	0	0	1	1	
29h	RTCT	IRQ_MIN	TRTC<6:0>							
		0	1	0	0	0	0	0	0	
2Ah	RTC_0	RTC<7:0>								
		0	0	0	0	0	0	0	0	
2Bh	RTC_1	RTC<15:8>								
		0	0	0	0	0	0	0	0	
2Ch	RTC_2	RTC<23:16>								
		0	0	0	0	0	0	0	0	
2Dh	RTC_3	RTC<31:24>								
		0	0	0	0	0	0	0	0	
2Eh	ADC_0	ADC_Source<3:0>				-	-	ADC<9:8>		
		0	0	0	0	0	0	0	X	X

Addr	Name	D<7>	D<6>	D<5>	D<4>	D<3>	D<2>	D<1>	D<0>
2Fh	ADC_1	ADC<7:0>							
		X	X	X	X	X	X	X	X
30-3F	UID_0 .. 15	ID<7:0>							
		...							
		ID<127:120>							

8 Pinout and Packaging

8.1 Package Variants

CTBGA (Thin ChipArray BGA) package technology is used for multi-chip-module (MCM) packaging. The following package variants are available for the product:

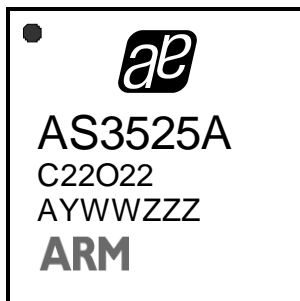
Table 160 Package Options

Product Code	Package	Balls	Ball Matrix	Pitch [mm]	Height [mm]	Size [mm]	Application
AS3525-A	CTBGA	224	15x15, 7 Row	0.8	1.2	13x13	with external SDRAM interface
AS3525-B	CTBGA	144	12x12, full	0.8	1.2	10x10	w/o external SDRAM interface

8.2 CTBGA224 Package Drawings

8.2.1 Marking

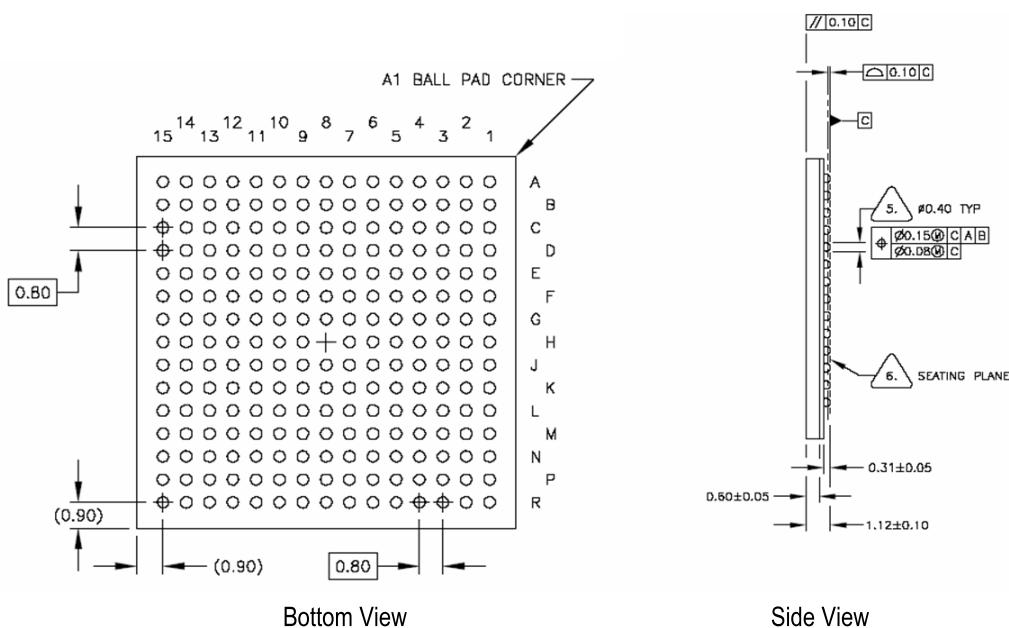
Figure 60 CTBGA224 Package Marking



Package Code AYYWWZZZ

A	Y	WW	ZZZ
A ... for PB free	Year	working week assembly/packaging	Free choice

Figure 61 CTBGA224 Package Drawing



8.2.2 CTBGA224 Package Ball-out

Figure 62 AS3525A Package Ball-out

	1	2	3	4	5	6	7	8	9	10	11	12	13	14	15
A	jtag_tms	xpc_7	xpc_3	xpa_2	mpmc_addr_3	mpmc_addr_9	mpmc_addr_17	mpmc_cas_n	mpmc_bls_n_0	mpmc_data_5	mpmc_data_13	ide_ha_0	naf_d_1	dbop_d14	vdd_peri
B	jtag_tdi	jtag_tck	xpc_5	xpa_0	mpmc_addr_1	mpmc_addr_11	mpmc_addr_19	vss_mem	vdd_mem	mpmc_data_7	mpmc_data_15	naf_d_7	naf_d_4	naf_d_2	vss_peri
C	i2si_sdata_in	jtag_trst_n	xpc_6	xpc_1	xpa_6	mpmc_addr_7	mpmc_addr_15	vss_mem	vdd_mem	mpmc_data_9	ssp_issout	naf_d_5	naf_d_0	naf_d_8	dbop_d15
D	i2si_lrck_out	tmsel	jtag_tdo	xpc_4	xpa_4	mpmc_addr_5	mpmc_addr_13	mpmc_dqm_0	mpmc_stcs_n_0	mpmc_oe_n	ssp_rxd	ide_ha_2	naf_d_3	naf_d_14	naf_d_11
E	clk_ext	clk_sel	i2si_sclk_out	i2si_mclk	xpc_0	mpmc_addr_8	mpmc_addr_14	mpmc_clk_0	mpmc_dyces_n_1	mpmc_data_1	mpmc_data_11	naf_d_9	naf_d_13	naf_d_15	naf_oe0_n
F	id_dig	usb_vdda33t	vbus	xpc_2	xpa_7	mpmc_addr_6	mpmc_addr_16	mpmc_cke_0	mpmc_we_n	mpmc_data_3	naf_d_10	naf_d_12	naf_ale	naf_cle	naf_bsy_n
G	usb_dp	usb_vssa33t	dbop_d12	xpa_1	mpmc_addr_0	mpmc_addr_18	mpmc_clk_1	mpmc_data_10	mpmc_data_12	ide_reset_n	naf_d_6	naf_wp_n	naf_oe3_n	naf_we_n	xpd_3
H	usb_dm	usb_vssa33t	dbop_d13	xpa_3	mpmc_addr_10	mpmc_addr_20	mpmc_data_8		ssp_clkout	ide_ha_1	naf_ce1_n	naf_re_n	xpd_0	xpd_4	xpd_7
J	usb_vssa33c	usb_rke1vin_rext	usb_vdda33c	xpa_5	mpmc_addr_12	mpmc_cke_1	mpmc_ras_n	mpmc_data_6	mpmc_data_14	ssp_bxd	naf_ce2_n	xpd_1	xpd_2	xpd_5	xpd_6
K	vdd_core	nc	DVDD	nc	mpmc_addr_4	mpmc_dyces_n_0	mpmc_bls_n_1	mpmc_data_4	xpb_4	xpb_3	xpb_2	xpb_5	xpb_7	SW_15V	SW_3V
L	vss_core	nc	PwrUP	mpmc_addr_2	mpmc_fbclk_n	mpmc_dqm_1	mpmc_stcs_n_1	mpmc_data_0	mpmc_data_2	xpb_0	xpb_1	xpb_6	CN_5V	CP_5V	VSS_3V
M	CLK_OUT	XRES	CSDA	CSCL	MCLK	SDI	SDO	VREF	HPCM	BATTEMP	ISINK	VSS_15V	VBAT_1V	QLDO2	VSS_1V
N	INTRQ	P_PVDD	MSUP2	LOUTR	LRCK	SCLK	LOUTL	AVDD	HPGND	HPR	BGND	BVSS2	HPL	CHG_IN	CN_1V
P	DVSS	LIN2R	LIN1R	MIC2_N	MIC1_N	MSUP1	BVSS	AGND	BVDD	BVDD	BVDD	IOVDD	RVDD	CHG_OUT	CP_1V
R	XIN_24M	XOUT_24M	LIN2L	LIN1L	MIC2_P	MIC1_P	AVSS	BVSS	LSPR	LSPL	UVDD	PVDD	XIN_32k	XOUT_32k	CVDD

Note: PINs K2, L2 and K4 are reserved for production test purposes and must be left not connected for normal operation mode.

8.2.3 CTBGA224 Ball List

Table 161 CTBGA224 Ball List

Ball Nr. BGA224	Ball Name	PAD Type	I/O	Ball Description
M2	XRES resetext_n	DO D IN ST	O I	XRES is generated by the PMU subsystem and connected to reset input (active low) on the BGA
M1	CLK_OUT clk_int	DO D IN ST	O I	CLK_OUT is output of 20-24MHz crystal oscillator clock and connected to clk_int on the BGA
E1	clk_ext	D IN ST PD	I	external clock input (10-26MHz)
E2	clk_sel	D IN ST PD	I	clock select 0 (low): clock from internal oscillator is used 1 (high): clock from pad clk_ext is used
D2	tmsel	D IN ST PD	I	test mode select For testing purpose only, has to be set to "0".
F1	id_dig	D IN ST (PU)	I	USB mini receptacle identifier Has to be connected to USB jack ID pin.

Ball Nr. BGA224	Ball Name	PAD Type	I/O	Ball Description
Port A				
B4	xpa[0]	D IO ST PD LSR	IO	GPIO IO, Port A
G4	xpa[1]	D IO ST PD LSR	IO	GPIO IO, Port A
A4	xpa[2]	D IO ST PD LSR	IO	GPIO IO, Port A
H4	xpa[3]	D IO ST PD LSR	IO	GPIO IO, Port A
D5	xpa[4]	D IO ST PD LSR	IO	GPIO IO, Port A
J4	xpa[5]	D IO ST PD LSR	IO	GPIO IO, Port A
C5	xpa[6]	D IO ST PD LSR	IO	GPIO IO, Port A
F5	xpa[7]	D IO ST PD LSR	IO	GPIO IO, Port A
Port B / DISPLAY / UART				
L10	xpb[0]	D IO ST PD LSR	IO	GPIO IO, Port B
	mPMC_stcs1mw[0]*		I	static memory chip memory width setting for boot loader 0: 8 bit data bus 1: 16 bit data bus The value is latched at reset.
	dbop_c0		O	DISPLAY control output
L11	xpb[1]	D IO ST PD LSR	IO	GPIO IO, Port B
	mPMC_stcs1pol*		I	static memory chip select polarity setting for boot loader 0: active LOW chip select 1: active high chip select The value is latched at reset.
	dbop_c1		O	DISPLAY control output
K11	xpb[2]	D IO ST PD LSR	IO	GPIO IO, Port B
	mPMC_stcs1pb*		I	static memory byte lane polarity setting for boot loader 0: HIGH for reads, LOW for writes, used for we_n access 1: LOW for reads, LOW for writes, used for upper and lower byte access The value is latched at reset.
	dbop_c2		O	DISPLAY control output
K10	xpb[3]	D IO ST PD LSR	IO	GPIO IO, Port B
	mPMC_re1config*		I	test mode configuration (for testing purpose only !!!) The value is latched at reset.
	dbop_c3		O	DISPLAY control output
K9	xpb[4]	D IO ST PD LSR	IO	GPIO IO, Port B
	dbop_d[8]		IO	DISPLAY data input/output (high byte)
K12	xpb[5]	D IO ST PD LSR	IO	GPIO IO, Port B
	dbop_d[9]		IO	DISPLAY data input/output (high byte)
L12	xpb[6]	D IO ST PU LSR	IO	GPIO IO, Port B
	uart_rxd		I	UART receive line
	dbop_d[10]		IO	DISPLAY data input/output (high byte)
K13	xpb[7]	D IO ST PU LSR	IO	GPIO IO, Port B
	uart_txd		O	UART transmit line
	dbop_d[11]		IO	DISPLAY data input/output (high byte)
Port C / DISPLAY / 2-WIRE SERIAL				
E5	xpc[0]	D IO ST PD LSR	IO	GPIO IO, Port C
	IntBootSel*		I	BOOT LOADER source select input 1: internal ROM 0: external ROM/Flash
	dbop_d[0]		IO	DISPLAY data input/output (low byte)
C4	xpc[1]	D IO ST PD LSR	IO	GPIO IO, Port C

Ball Nr. BGA224	Ball Name	PAD Type	I/O	Ball Description
	boot_sel[0]		I	BOOT LOADER type select input
	dbop_d[1]		IO	DISPLAY data input/output (low byte)
F4	xpc[2]	D IO ST PD LSR	IO	GPIO IO, Port C
	boot_sel[1]		I	BOOT LOADER type select input
	dbop_d[2]		IO	DISPLAY data input/output (low byte)
A3	xpc[3]	D IO ST PD LSR	IO	GPIO IO, Port C
	boot_sel[2]		I	BOOT LOADER type select input
	dbop_d[3]		IO	DISPLAY data input/output (low byte)
D4	xpc[4]	D IO ST PD LSR	IO	GPIO IO, Port C
	dbop_d[4]		IO	DISPLAY data input/output (low byte)
B3	xpc[5]	D IO ST PD LSR	IO	GPIO IO, Port C
	dbop_d[5]		IO	DISPLAY data input/output (low byte)
C3	xpc[6]	D IO ST PU LSR	IO	GPIO IO, Port C
	cmd_ms_sck		IO	2-WIRE SERIAL master/slave clock line
	dbop_d[6]		IO	DISPLAY data input/output (low byte)
A2	xpc[7]	D IO ST PU LSR	IO	GPIO IO, Port C
	cmd_ms_sda		IO	2-WIRE SERIAL master/slave data line
	dbop_d[7]		IO	DISPLAY data input/output (low byte)
Port D / SD Card / Memory Stick				
H13	xpd[0]	D IO ST LSR	IO	GPIO IO, Port D
	mci_dat[0]		IO	MMC/SD data line
	ms_sdio[0]		IO	MEMORY STICK data line
J12	xpd[1]	D IO ST LSR	IO	GPIO IO, Port D
	mci_dat[1]		IO	MMC/SD data line
	ms_sdio[1]		IO	MEMORY STICK data line
J13	xpd[2]	D IO ST LSR	IO	GPIO IO, Port D
	mci_dat[2]		IO	MMC/SD data line
	ms_sdio[2]		IO	MEMORY STICK data line
G15	xpd[3]	D IO ST LSR	IO	GPIO IO, Port D
	mci_dat[3]		IO	MMC/SD data line
	ms_sdio[3]		IO	MEMORY STICK data line
H14	xpd[4]	D IO ST LSR	IO	GPIO IO, Port D
	mci_cmd		O	MMC/SD command line
	ms_sclk		O	MEMORY STICK clock line
J14	xpd[5]	D IO ST LSR	IO	GPIO IO, Port D
	mci_clk		O	MMC/SD clock line
	ms_bs		O	MEMORY STICK bus state
J15	xpd[6]	D IO ST LSR	IO	GPIO IO, Port D
	mci_fbclk		I	MMC/SD feedback clock
	ms_fbclk		I	MEMORY STICK feedback clock
H15	xpd[7]	D IO ST LSR	IO	GPIO IO, Port D
	mci_rod		O	MMC/SD resistor open drain control
2-wire serial Audio Master				
M4	CSCL	D IO ST PU LSR	O	2-wire serial audio master clock line used for controlling the audio/PMU sub system
M3	CSDA	D IO ST PU LSR	O	2-wire serial audio master data line used for controlling the audio/PMU sub system
Serial Synchronous Port				

Ball Nr. BGA224	Ball Name	PAD Type	I/O	Ball Description
C11	ssp_fssout	D IO ST PU LSR	O	SSP master, frame or slave select
	ssp_fssin		I	SSP slave, frame select
H9	ssp_clkout	D IO ST PU LSR	O	SSP master, clock line
	ssp_clkin		I	SSP slave, clock line
D11	ssp_rxd	D IO ST PU LSR	I	SSP receive data input
J10	ssp_txd	D IO ST PU LSR	O	SSP transmit data output
NandFlash / IDE				
C13	naf_d[0]	D IO ST PD LSR	IO	NAND FLASH data line (low byte)
	ide_hd[0]		IO	IDE data line (low byte)
A13	naf_d[1]	D IO ST PD LSR	IO	NAND FLASH data line (low byte)
	ide_hd[1]		IO	IDE data line (low byte)
B14	naf_d[2]	D IO ST PD LSR	IO	NAND FLASH data line (low byte)
	ide_hd[2]		IO	IDE data line (low byte)
D13	naf_d[3]	D IO ST PD LSR	IO	NAND FLASH data line (low byte)
	ide_hd[3]		IO	IDE data line (low byte)
B13	naf_d[4]	D IO ST PD LSR	IO	NAND FLASH data line (low byte)
	ide_hd[4]		IO	IDE data line (low byte)
C12	naf_d[5]	D IO ST PD LSR	IO	NAND FLASH data line (low byte)
	ide_hd[5]		IO	IDE data line (low byte)
G11	naf_d[6]	D IO ST PD LSR	IO	NAND FLASH data line (low byte)
	ide_hd[6]		IO	IDE data line (low byte)
B12	naf_d[7]	D IO ST PD LSR	IO	NAND FLASH data line (low byte)
	ide_hd[7]		IO	IDE data line (low byte)
C14	naf_d[8]	D IO ST PD LSR	IO	NAND FLASH data line (high byte)
	ide_hd[8]		IO	IDE data line (high byte)
E12	naf_d[9]	D IO ST PD LSR	IO	NAND FLASH data line (high byte)
	ide_hd[9]		IO	IDE data line (high byte)
F11	naf_d[10]	D IO ST PD LSR	IO	NAND FLASH data line (high byte)
	ide_hd[10]		IO	IDE data line (high byte)
D15	naf_d[11]	D IO ST PD LSR	IO	NAND FLASH data line (high byte)
	ide_hd[11]		IO	IDE data line (high byte)
F12	naf_d[12]	D IO ST PD LSR	IO	NAND FLASH data line (high byte)
	ide_hd[12]		IO	IDE data line (high byte)
E13	naf_d[13]	D IO ST PD LSR	IO	NAND FLASH data line (high byte)
	ide_hd[13]		IO	IDE data line (high byte)
D14	naf_d[14]	D IO ST PD LSR	IO	NAND FLASH data line (high byte)
	ide_hd[14]		IO	IDE data line (high byte)
E14	naf_d[15]	D IO ST PD LSR	IO	NAND FLASH data line (high byte)
	ide_hd[15]		IO	IDE data line (high byte)
F14	naf_cle	D IO ST LSR	O	NAND FLASH command latch enable
	ide_dmarq		I	IDE DMA request used for DMA data transfers between host and device
F13	naf_ale	D IO ST LSR	O	NAND FLASH address latch enable
	ide_iordy		I	IDE IO ready signal used by device to extend host data transfer cycles
G12	naf_wp_n	D IO ST PD LSR	O	NAND FLASH write protect not
	ide_intrq		I	IDE interrupt request used by device to interrupt the host controller

Ball Nr. BGA224	Ball Name	PAD Type	I/O	Ball Description
E15	naf_ce0_n	D IO ST LSR	O	NAND FLASH chip enable
	ide_cs0_n		O	IDE chip select 0 used by the host to select command block registers in the device
H11	naf_ce1_n	D IO ST LSR	O	NAND FLASH chip enable
	ide_cs1_n		O	IDE chip select 1 used by the host to select control block registers in the device
J11	naf_ce2_n	D IO ST LSR	O	NAND FLASH chip enable
	ide_hiown		O	IDE host IO write strobe
G13	naf_ce3_n	D IO ST LSR	O	NAND FLASH chip enable
	ide_hiorn		O	IDE host IO read strobe
G14	naf_we_n	D IO ST LSR	O	NAND FLASH write enable not
	ide_dackn		O	IDE DMA acknowledge used by the host to initiate DMA data transfers
H12	naf_re_n	D IO ST LSR	O	NAND FLASH read enable not
	ide_npcblid		I	IDE primary channel cable ID detect
F15	naf_bsy_n	D IO ST LSR	I	NAND FLASH ready / busy not
	ide_nsclbid		I	IDE secondary channel cable ID select
A12	ide_ha[0]	D OUT LSR	O	IDE host address
H10	ide_ha[1]	D OUT LSR	O	IDE host address
D12	ide_ha[2]	D OUT LSR	O	IDE host address
G10	ide_reset_n	D OUT LSR	O	IDE reset not, used by the host to reset the device
I2S Output				
M6	i2so_sdata SDI	D OUT LSR DI	O I	I2S data output data output from digital core to audio sub system, <i>SDI</i> and <i>i2so_sdata</i> are connected on the BGA
N6	i2so_sclk SCLK	D OUT LSR DI	O I	I2S serial clock clock output from digital core to audio sub system, <i>SCLK</i> and <i>iso_sclk</i> are connected on the BGA
N5	i2so_lrck LRCK	D OUT LSR DI	O I	I2S left/right clock clock output from digital core to audio sub system, <i>LRCK</i> and <i>i2so_lrck</i> are connected on the BGA
M5	i2so_mclk MCLK	D OUT LSR DI	O I	I2S master clock clock output from digital core to audio sub system, <i>MCLK</i> and <i>i2so_mclk</i> are connected on the BGA
I2S Input				
M7	i2si_sdata SDO	D IN ST DO	I O	I2S data input data output from audio sub system to digital core, <i>SDO</i> and <i>i2si_sdata</i> are connected on the BGA
E3	i2si_sclk_out	D IO ST LSR	O	I2S master serial clock serial clock output for external ADC if AS3525 is I2S master
	i2si_sclk_in		I	I2S slave serial clock serial clock input for external ADC if AS3525 is I2S slave
D1	i2si_lrck_out	D IO ST LSR	O	I2S master, left/right clock left/right clock output for external ADC if AS3525 is I2S master
	i2si_lrck_in		I	I2S slave, left/right clock left/right clock input for external ADC if AS3525 is I2S master
E4	i2si_mclk	D OUT LSR	O	I2S master, master clock
C1	i2si_sdata_in	D IN ST PD	I	I2S data input data input from external audio ADC

Ball Nr. BGA224	Ball Name	PAD Type	I/O	Ball Description
	spdif_data_in		I	SPDIF data input data input for SPDIF to I2S conversion
Audio Subsystem IRQ				
N1	INTRQ intrq	DO D IN ST	O I	used by the audio/PMU subsystem to interrupt the digital core, <i>INTRQ</i> and <i>intrq</i> are connected on the BGA
JTAG Debugging IF				
C2	jtag_trst_n	D IN ST PD	I	JTAG reset not
A1	jtag_tms	D IN ST PU	I	JTAG mode select
B2	jtag_tck	D IN ST PU	I	JTAG clock
B1	jtag_tdi	D IN ST PU	I	JTAG data input
D3	jtag_tdo	D IO ST PU LSR	O	JTAG data output
External Memory IF				
G5	mpmc_addr[0]	D OUT LSR LV	O	EXT. MEMORY address line
B5	mpmc_addr[1]	D OUT LSR LV	O	EXT. MEMORY address line
L4	mpmc_addr[2]	D OUT LSR LV	O	EXT. MEMORY address line
A5	mpmc_addr[3]	D OUT LSR LV	O	EXT. MEMORY address line
K5	mpmc_addr[4]	D OUT LSR LV	O	EXT. MEMORY address line
D6	mpmc_addr[5]	D OUT LSR LV	O	EXT. MEMORY address line
F6	mpmc_addr[6]	D OUT LSR LV	O	EXT. MEMORY address line
C6	mpmc_addr[7]	D OUT LSR LV	O	EXT. MEMORY address line
E6	mpmc_addr[8]	D OUT LSR LV	O	EXT. MEMORY address line
A6	mpmc_addr[9]	D OUT LSR LV	O	EXT. MEMORY address line
H5	mpmc_addr[10]	D OUT LSR LV	O	EXT. MEMORY address line
B6	mpmc_addr[11]	D OUT LSR LV	O	EXT. MEMORY address line
J5	mpmc_addr[12]	D OUT LSR LV	O	EXT. MEMORY address line
D7	mpmc_addr[13]	D OUT LSR LV	O	EXT. MEMORY address line
E7	mpmc_addr[14]	D OUT LSR LV	O	EXT. MEMORY address line
C7	mpmc_addr[15]	D OUT LSR LV	O	EXT. MEMORY address line
F7	mpmc_addr[16]	D OUT LSR LV	O	EXT. MEMORY address line
A7	mpmc_addr[17]	D OUT LSR LV	O	EXT. MEMORY address line
G6	mpmc_addr[18]	D OUT LSR LV	O	EXT. MEMORY address line
B7	mpmc_addr[19]	D OUT LSR LV	O	EXT. MEMORY address line
H6	mpmc_addr[20]	D OUT LSR LV	O	EXT. MEMORY address line
F8	mpmc_cke[0]	D OUT LSR LV	O	EXT. MEMORY clock enable0 used for SDRAM devices only
J6	mpmc_cke[1]	D OUT LSR LV	O	EXT. MEMORY clock enable 1 used for SDRAM devices only
E8	mpmc_clk[0]	D OUT LSR LV	O	EXT. MEMORY clock 0 used for SDRAM devices only
G7	mpmc_clk[1]	D OUT LSR LV	O	EXT. MEMORY clock 1 used for SDRAM devices only
L5	mpmc_fbckin	D IO ST PD LSR LV	O	EXT. MEMORY feedback clock used for SDRAM devices only
D8	mpmc_dqm[0]	D OUT LSR LV	O	EXT. MEMORY data mask 0 used for SDRAM devices and static memories
L6	mpmc_dqm[1]	D OUT LSR LV	O	EXT. MEMORY data mask 1 used for SDRAM devices and static memories
A8	mpmc_cas_n	D OUT LSR LV	O	EXT. MEMORY column address strobe not used for SDRAM devices only
K6	mpmc_dycs_n[0]	D OUT LSR LV	O	EXT. MEMORY dynamic memory chip select 0 not

Ball Nr. BGA224	Ball Name	PAD Type	I/O	Ball Description
				used for SDRAM devices only
E9	mPMC_dyCS_n[1]	D OUT LSR LV	O	EXT. MEMORY dynamic memory chip select 1 not used for SDRAM devices only
J7	mPMC_ras_n	D OUT LSR LV	O	EXT. MEMORY row address strobe not used for SDRAM devices only
F9	mPMC_we_n	D OUT LSR LV	O	EXT. MEMORY write enable not used for SDRAM devices and static memories
D9	mPMC_stCS_n[0]	D OUT LSR LV	O	EXT. MEMORY static memory chip select 0 not used for static memory devices only
L7	mPMC_stCS_n[1]	D OUT LSR LV	O	EXT. MEMORY static memory chip select 0 not used for static memory devices only
A9	mPMC_bls_n[0]	D OUT LSR LV	O	EXT. MEMORY byte lane select 0 not used for static memory devices only
K7	mPMC_bls_n[1]	D OUT LSR LV	O	EXT. MEMORY byte lane select 1 not used for static memory devices only
D10	mPMC_oe_n	D OUT LSR LV	O	EXT. MEMORY output enable not used for static memory devices only
L8	mPMC_data[0]	D IO ST PD LSR LV	IO	EXT. MEMORY data line
E10	mPMC_data[1]	D IO ST PD LSR LV	IO	EXT. MEMORY data line
L9	mPMC_data[2]	D IO ST PD LSR LV	IO	EXT. MEMORY data line
F10	mPMC_data[3]	D IO ST PD LSR LV	IO	EXT. MEMORY data line
K8	mPMC_data[4]	D IO ST PD LSR LV	IO	EXT. MEMORY data line
A10	mPMC_data[5]	D IO ST PD LSR LV	IO	EXT. MEMORY data line
J8	mPMC_data[6]	D IO ST PD LSR LV	IO	EXT. MEMORY data line
B10	mPMC_data[7]	D IO ST PD LSR LV	IO	EXT. MEMORY data line
H7	mPMC_data[8]	D IO ST PD LSR LV	IO	EXT. MEMORY data line
C10	mPMC_data[9]	D IO ST PD LSR LV	IO	EXT. MEMORY data line
G8	mPMC_data[10]	D IO ST PD LSR LV	IO	EXT. MEMORY data line
E11	mPMC_data[11]	D IO ST PD LSR LV	IO	EXT. MEMORY data line
G9	mPMC_data[12]	D IO ST PD LSR LV	IO	EXT. MEMORY data line
A11	mPMC_data[13]	D IO ST PD LSR LV	IO	EXT. MEMORY data line
J9	mPMC_data[14]	D IO ST PD LSR LV	IO	EXT. MEMORY data line
B11	mPMC_data[15]	D IO ST PD LSR LV	IO	EXT. MEMORY data line
DBOP				
G3	dbop_d[12]	D IO ST PD LSR	IO	DISPLAY data input/output (high byte)
H3	dbop_d[13]	D IO ST PD LSR	IO	DISPLAY data input/output (high byte)
A14	dbop_d[14]	D IO ST PD LSR	IO	DISPLAY data input/output (high byte)
C15	dbop_d[15]	D IO ST PD LSR	IO	DISPLAY data input/output (high byte)
USB 2.0 OTG				
F2	vdda33t	PWP_VD_RDO_3V	P	USB 3.3V analog power supply for OTG transceiver block
J1	vssa33t	PWP_VS_RDO_3V	P	USB 3.3V analog ground supply for OTG transceiver block
H2	vssa33t	PWP_VS_RDO_3V	P	USB 3.3V analog ground supply for OTG transceiver block
G2	vssa33t	PWP_VS_RDO_3V	P	USB 3.3V analog ground supply for OTG transceiver block
G1	usb_dp	USB_ESD_5VT	A	USB D+ signal from USB cable
H1	usb_dm	USB_ESD_5VT	A	USB D- signal from USB cable
K4	NC	-		test pin: must stay unconnected for normal operation mode
K2	NC	-		test pin: must stay unconnected for normal operation mode
J2	usb_rext	ANA_BI_RXT_3V	A	USB external resistor connect analog signal to the external resistor for setting the bias

Ball Nr. BGA224	Ball Name	PAD Type	I/O	Ball Description
				current of the USB 2.0 OTG PHY, voltage level is 1.1-1.3V
J3	vdda33c	PWP_VD_ANA_3V	P	USB 3.3V analog power supply for common block
L2	NC	-		test pin: must stay unconnected for normal operation mode
F3	VBUS usb_vbus	USB20_VBUS_5VT_OTG	AO AIO	USB 5V supply generated by the PMU subsystem, <i>VBUS</i> and <i>usb_vbus</i> are connected on the BGA USB mini receptacle Vbus
Supply Balls				
A15	vdd_peri	P	P	3.3V peripheral power supply
B9	vdd_mem	P	P	3.3V (2.5V) external memory power supply
C9	vdd_mem	P	P	3.3V (2.5V) external memory power supply
B15	vss_peri	P	P	3.3V peripheral ground supply
B8	vss_mem	P	P	3.3V (2.5V) external memory ground supply
C8	vss_mem	P	P	3.3V (2.5V) external memory ground supply
K1	vdd_core	P	P	1.2V core power supply
L1	vss_core	P	P	1.2V core ground supply
AFE Balls				
K3	DVDD	P	P	audio/PMU subsystem digital power supply to be connected to QLDO2 (2.9V)
L3	PwrUP	DI PD	I	power Up input
N2	P_PVDD	AI	I	5 State program input of PVDD regulator
P1	DVSS	P	P	audio/PMU subsystem digital ground supply
R1	XIN_24M	AIO	IO	oscillator input 12-24MHz
R2	XOUT_24M	AIO	IO	oscillator output 12-24MHz
P2	LIN2R	AI	I	line input 2 right channel
R3	LIN2L	AI	I	line input 2 left channel
P3	LIN1R	AI	I	line input 1 right channel
R4	LIN1L	AI	I	line input 1 left channel
N3	MSUP2	P	P	microphone supply 2 (2.95V) / remote input 2
P4	MIC2_N	AI	I	microphone input 2N
R5	MIC2_P	AI	I	microphone input 2P
R6	MIC1_P	AI	I	microphone input 1P
P5	MIC1_N	AI	I	microphone input 1N
P6	MSUP1	P	P	microphone supply 1 (2.95V) / remote input 1
N4	LOUTR	AO	O	line output right channel / ear piece differential output N
N7	LOUTL	AO	O	line output left channel / ear piece differential output P
N8	AVDD	P	P	audio/PMU subsystem analog power supply
P8	AGND	AIO	IO	analog reference (AVDD/2) decoupling cap terminal (10uF)
M8	VREF	AIO	IO	analog reference (filtered AVDD) decoupling cap terminal (10uF)
R7	AVSS	P	P	audio/PMU subsystem digital power supply
N9	HPGND	AIO	IO	headphone amplifier reference decoupling cap terminal (100nF)
M9	HPCM	AO	O	headphone common GND output for DC-coupled speakers
N10	HPR	AO	O	headphone output right channel
N12	BVSS2	P	P	headphone amplifier ground supply
N13	HPL	AO	O	headphone output left channel
N11	BGND	P	P	speaker amplifier reference decoupling cap terminal (100nF)
P9	BVDD	P	P	audio/PMU subsystem power supply (max. 5.5V)

Ball Nr. BGA224	Ball Name	PAD Type	I/O	Ball Description
R9	LSPR	AO	O	speaker output right channel
P7	BVSS	P	P	speaker amplifier ground supply
R8	BVSS	P	P	speaker amplifier ground supply
R10	LSPL	AO	O	speaker output left channel
P10	BVDD	P	P	audio/PMU subsystem power supply (max. 5.5V)
R11	UVDD	AO	O	LDO6 Regulator Output fixed to 3.262V to be used for USB transceiver supply
R12	PVDD	AO	O	LDO3 Regulator Output programmed to 1.7 - 3.33V
P11	BVDD	AO	O	audio/PMU subsystem power supply (max. 5.5V)
P12	IOVDD	AO	O	LDO4 Regulator Output fixed to 3.109V
R15	CVDD	AO	O	charge pump output for digital core supply, programmed to 1.05 - 1.2V to be connected to vdd_core
M13	VBAT_1V	P	P	battery supply input for single cell application
P15	CP_1V	AIO	IO	CVDD charge pump flying cap
N15	CN_1V	AIO	IO	CVDD charge pump flying cap
M15	VSS_1V	P	P	CVDD charge pump ground supply
M14	QLDO2	AO	O	LDO2 regulator output fixed 2.9V to be connected to DVDD
L14	CP_5V	AIO	IO	VBUS charge pump flying cap
L13	CN_5V	AIO	IO	VBUS charge pump flying cap
L15	VSS_3V	P	P	DCDC3V ground supply
K15	SW_3V	AO	O	DCDC3V switch terminal
K14	SW_15V	AO	O	DCDC15V switch terminal
M12	VSS_15V	P	P	DCDC15V ground supply
M11	ISINK	AO	O	DCDC15V load current sink terminal
N14	CHG_IN	AI	I	charger input
P14	CHG_OUT	AO	O	charger output programmable current (50-400mA) and voltage (3.9-4.25V)
M10	BATTEMP	AIO	IO	charger battery temperature sensor input (RNTC 100k)
R14	XOUT_32k	AIO	IO	32kHz RTC oscillator crystal terminal
R13	XIN_32k	AIO	IO	32kHz RTC oscillator crystal terminal
P13	RVDD	AO	O	RTC supply regulator output supplied via BVDD, programmed to 1.0-2.5V

8.3 CTBGA144 Package Drawings

Figure 63 CTBGA144 Package Drawing



Package Code AYYWWZZZ

A	Y	WW	ZZZ
A ... for PB free	Year	working week assembly/packaging	Free choice

8.3.1 CTBGA144 Package Ball-out

Figure 64 AS3525B Package Ball-out

	1	2	3	4	5	6	7	8	9	10	11	12
A	dbop_d12	dbop_d13	i2si_sdata_in	xpc_2	xpa_6	xpa_7	vdd_peri	vss_peri	dbop_d14	naf_d_2	naf_d_1	naf_d_0
B	jtag_tdi	jtag_tck	jtag_tdo	xpc_3	xpa_4	xpa_5	ssp_fssout	ssp_clkout	dbop_d15	naf_d_3	naf_d_9	naf_d_8
C	jtag_trst_n	clk_ext	jtag_tms	xpc_4	xpa_2	xpa_3	ssp_rxd	ssp_bxd	naf_d_4	naf_d_12	naf_d_11	naf_d_10
D	usb_dp	clk_sel	xpc_7	xpc_1	xpa_0	xpa_1	naf_d_7	naf_d_6	naf_d_5	naf_d_15	naf_d_14	naf_d_13
E	usb_dm	tmsel	xpc_6	xpc_0	naf_we_n	naf_ce1_n	naf_ce0_n	naf_wp_n	naf_ale	naf_cle	naf_re_n	CHG_OUT
F	usb_vssa33	usb_vdda33	xpc_5	xpd_4	xpd_3	xpd_2	xpd_1	xpd_0	naf_bsy_n	xpd_5	ISINK	SW_15V
G	vss_core	usb_rext	id_dlig	xpb_2	xpb_1	xpb_0	xpd_7	xpd_6	CHG_IN	CP_5V	CN_5V	SW_3V
H	XIN_32k	vdd_core	VBUS	xpb_7	xpb_6	xpb_5	xpb_4	xpb_3	OLDO2	VSS_3V	CP_1V	CN_1V
J	XOUT_32k	RVDD	CSCL	P_PVDD	INTRQ	PwrUP	naf_ce2_n	naf_ce3_n	VSS_15V	VSS_1V	PVDD	CVDD
K	DVDD	CSDA	XRES	MSUP1	MSUP2	BATTEMP	HPGND	BGND	BVSS2	VBAT_1V	BVDD	BVDD
L	XOUT_24M	AVDD	VREF	MIC1_N	MIC2_N	LIN2L	LIN1L	LOUTL	BVSS	HPR	HPL	IOVDD
M	XIN_24M	AVSS	AGND	MIC1_P	MIC2_P	LIN2R	LIN1R	LOUTR	HPCM	LSPR	LSPL	UVDD

8.3.2 CTBGA144 Ball List

Table 162 CTBGA144 Ball List

Ball Nr. BGA144	Ball Name	PAD Type	I/O	Ball Description
K3	XRES resetext_n	DO D IN ST	O I	XRES is generated by the PMU subsystem and connected to reset input (active low) on the BGA
C2	clk_ext	D IN ST PD	I	external clock input (10-26MHz)
D2	clk_sel	D IN ST PD	I	clock select 0 (low): clock from internal oscillator is used 1 (high): clock from pad <i>clk_ext</i> is used
E2	tmsel	D IN ST PD	I	test mode select For testing purpose only, has to be set to "0".
G3	id_dig	D IN ST (PU)	I	USB mini receptacle identifier Has to be connected to USB jack ID pin.
Port A				
D5	xpa[0]	D IO ST PD LSR	IO	GPIO IO, Port A
D6	xpa[1]	D IO ST PD LSR	IO	GPIO IO, Port A
C5	xpa[2]	D IO ST PD LSR	IO	GPIO IO, Port A
C6	xpa[3]	D IO ST PD LSR	IO	GPIO IO, Port A
B5	xpa[4]	D IO ST PD LSR	IO	GPIO IO, Port A
B6	xpa[5]	D IO ST PD LSR	IO	GPIO IO, Port A
A5	xpa[6]	D IO ST PD LSR	IO	GPIO IO, Port A
A6	xpa[7]	D IO ST PD LSR	IO	GPIO IO, Port A
Port B / DISPLAY / UART				
G6	xpb[0]	D IO ST PD LSR	IO	GPIO IO, Port B
	mPMC_stcs1mw[0]]*		I	static memory chip memory width setting for boot loader 0: 8 bit data bus 1: 16 bit data bus The value is latched at reset.
	dbop_c0		O	DISPLAY control output
G5	xpb[1]	D IO ST PD LSR	IO	GPIO IO, Port B
	mPMC_stcs1pol*		I	static memory chip select polarity setting for boot loader 0: active LOW chip select 1: active high chip select The value is latched at reset.
	dbop_c1		O	DISPLAY control output
G4	xpb[2]	D IO ST PD LSR	IO	GPIO IO, Port B
	mPMC_stcs1pb*		I	static memory byte lane polarity setting for boot loader 0: HIGH for reads, LOW for writes, used for we_n access 1: LOW for reads, LOW for writes, used for upper and lower byte access The value is latched at reset.
	dbop_c2		O	DISPLAY control output
H8	xpb[3]	D IO ST PD LSR	IO	GPIO IO, Port B
	mPMC_rel1config*		I	test mode configuration (for testing purpose only !!!) The value is latched at reset.
	dbop_c3		O	DISPLAY control output
H7	xpb[4]	D IO ST PD LSR	IO	GPIO IO, Port B
	dbop_d[8]		IO	DISPLAY data input/output (high byte)
H6	xpb[5]	D IO ST PD LSR	IO	GPIO IO, Port B
	dbop_d[9]		IO	DISPLAY data input/output (high byte)
H5	xpb[6]	D IO ST PU LSR	IO	GPIO IO, Port B

Ball Nr. BGA144	Ball Name	PAD Type	I/O	Ball Description
	uart_rxd		I	UART receive line
	dbop_d[10]		IO	DISPLAY data input/output (high byte)
H4	xpb[7]	D IO ST PU LSR	IO	GPIO IO, Port B
	uart_txd		O	UART transmit line
	dbop_d[11]		IO	DISPLAY data input/output (high byte)
Port C / DISPLAY / 2-WIRE SERIAL				
E4	xpc[0]	D IO ST PD LSR	IO	GPIO IO, Port C
	IntBootSel*		I	BOOT LOADER source select input 1: internal ROM 0: external ROM/Flash
	dbop_d[0]		IO	DISPLAY data input/output (low byte)
D4	xpc[1]	D IO ST PD LSR	IO	GPIO IO, Port C
	boot_sel[0]		I	BOOT LOADER type select input
	dbop_d[1]		IO	DISPLAY data input/output (low byte)
A4	xpc[2]	D IO ST PD LSR	IO	GPIO IO, Port C
	boot_sel[1]		I	BOOT LOADER type select input
	dbop_d[2]		IO	DISPLAY data input/output (low byte)
B4	xpc[3]	D IO ST PD LSR	IO	GPIO IO, Port C
	boot_sel[2]		I	BOOT LOADER type select input
	dbop_d[3]		IO	DISPLAY data input/output (low byte)
C4	xpc[4]	D IO ST PD LSR	IO	GPIO IO, Port C
	dbop_d[4]		IO	DISPLAY data input/output (low byte)
F3	xpc[5]	D IO ST PD LSR	IO	GPIO IO, Port C
	dbop_d[5]		IO	DISPLAY data input/output (low byte)
E3	xpc[6]	D IO ST PU LSR	IO	GPIO IO, Port C
	cmd_ms_sck		IO	2-WIRE SERIAL master/slave clock line
	dbop_d[6]		IO	DISPLAY data input/output (low byte)
D3	xpc[7]	D IO ST PU LSR	IO	GPIO IO, Port C
	cmd_ms_sda		IO	2-WIRE SERIAL master/slave data line
	dbop_d[7]		IO	DISPLAY data input/output (low byte)
Port D / SD Card / Memory Stick				
F8	xpd[0]	D IO ST LSR	IO	GPIO IO, Port D
	mci_dat[0]		IO	MMC/SD data line
	ms_sdio[0]		IO	MEMORY STICK data line
F7	xpd[1]	D IO ST LSR	IO	GPIO IO, Port D
	mci_dat[1]		IO	MMC/SD data line
	ms_sdio[1]		IO	MEMORY STICK data line
F6	xpd[2]	D IO ST LSR	IO	GPIO IO, Port D
	mci_dat[2]		IO	MMC/SD data line
	ms_sdio[2]		IO	MEMORY STICK data line
F5	xpd[3]	D IO ST LSR	IO	GPIO IO, Port D
	mci_dat[3]		IO	MMC/SD data line
	ms_sdio[3]		IO	MEMORY STICK data line
F4	xpd[4]	D IO ST LSR	IO	GPIO IO, Port D
	mci_cmd		O	MMC/SD command line
	ms_sclk		O	MEMORY STICK clock line
F10	xpd[5]	D IO ST LSR	IO	GPIO IO, Port D
	mci_clk		O	MMC/SD clock line

Ball Nr. BGA144	Ball Name	PAD Type	I/O	Ball Description
	ms_bs		O	MEMORY STICK bus state
G8	xpd[6]	D IO ST LSR	IO	GPIO IO, Port D
	mci_fbclk		I	MMC/SD feedback clock
	ms_fbclk		I	MEMORY STICK feedback clock
G7	xpd[7]	D IO ST LSR	IO	GPIO IO, Port D
	mci_rod		O	MMC/SD resistor open drain control
2-WIRE SERIAL Audio Master				
J3	CSCL	D IO ST PU LSR	O	2-WIRE SERIAL audio master clock line used for controlling the audio/PMU sub system
K2	CSDA	D IO ST PU LSR	O	2-WIRE SERIAL audio master data line used for controlling the audio/PMU sub system
Serial Synchronous Port				
B7	ssp_fssout	D IO ST PU LSR	O	SSP master, frame or slave select
	ssp_fssin		I	SSP slave, frame select
B8	ssp_clkout	D IO ST PU LSR	O	SSP master, clock line
	ssp_clkin		I	SSP slave, clock line
C7	ssp_rxd	D IO ST PU LSR	I	SSP receive data input
C8	ssp_txd	D IO ST PU LSR	O	SSP transmit data output
NandFlash / IDE				
A12	naf_d[0]	D IO ST PD LSR	IO	NAND FLASH data line (low byte)
A11	naf_d[1]		IO	NAND FLASH data line (low byte)
A10	naf_d[2]	D IO ST PD LSR	IO	NAND FLASH data line (low byte)
B10	naf_d[3]		IO	NAND FLASH data line (low byte)
C9	naf_d[4]	D IO ST PD LSR	IO	NAND FLASH data line (low byte)
D9	naf_d[5]		IO	NAND FLASH data line (low byte)
D8	naf_d[6]	D IO ST PD LSR	IO	NAND FLASH data line (low byte)
D7	naf_d[7]		IO	NAND FLASH data line (low byte)
B12	naf_d[8]	D IO ST PD LSR	IO	NAND FLASH data line (high byte)
B11	naf_d[9]		IO	NAND FLASH data line (high byte)
C12	naf_d[10]	D IO ST PD LSR	IO	NAND FLASH data line (high byte)
C11	naf_d[11]		IO	NAND FLASH data line (high byte)
C10	naf_d[12]	D IO ST PD LSR	IO	NAND FLASH data line (high byte)
D12	naf_d[13]		IO	NAND FLASH data line (high byte)

Ball Nr. BGA144	Ball Name	PAD Type	I/O	Ball Description
D11	naf_d[14]	D IO ST PD LSR	IO	NAND FLASH data line (high byte)
D10	naf_d[15]	D IO ST PD LSR	IO	NAND FLASH data line (high byte)
E10	naf_cle	D IO ST LSR	O	NAND FLASH command latch enable
E9	naf_ale	D IO ST LSR	O	NAND FLASH address latch enable
E8	naf_wp_n	D IO ST PD LSR	O	NAND FLASH write protect not
E7	naf_ce0_n	D IO ST LSR	O	NAND FLASH chip enable
E6	naf_ce1_n	D IO ST LSR	O	NAND FLASH chip enable
J7	naf_ce2_n	D IO ST LSR	O	NAND FLASH chip enable
J8	naf_ce3_n	D IO ST LSR	O	NAND FLASH chip enable
E5	naf_we_n	D IO ST LSR	O	NAND FLASH write enable not
E11	naf_re_n	D IO ST LSR	O	NAND FLASH read enable not
F9	naf_bsy_n	D IO ST LSR	I	NAND FLASH ready / busy not
I2S Input				
A3	i2si_sdata_in	D IN ST PD	I	I2S data input data input from external audio ADC
	spdif_data_in		I	SPDIF data input data input for SPDIF to I2S conversion
Audio Subsystem IRQ				
J5	INTRQ	DO	O	used by the audio/PMU subsystem to interrupt the digital core, <i>INTRQ</i> and <i>intrq</i> are connected on the BGA
	intrq	D IN ST	I	
JTAG Debugging IF				
C1	jtag_trst_n	D IN ST PD	I	JTAG reset not
C3	jtag_tms	D IN ST PU	I	JTAG mode select
B2	jtag_tck	D IN ST PU	I	JTAG clock
B1	jtag_tdi	D IN ST PU	I	JTAG data input
B3	jtag_tdo	D IO ST PU LSR	O	JTAG data output
DBOP				
A1	dbop_d[12]	D IO ST PD LSR	IO	DISPLAY data input/output (high byte)
A2	dbop_d[13]	D IO ST PD LSR	IO	DISPLAY data input/output (high byte)
A9	dbop_d[14]	D IO ST PD LSR	IO	DISPLAY data input/output (high byte)
B9	dbop_d[15]	D IO ST PD LSR	IO	DISPLAY data input/output (high byte)
USB 2.0 OTG				
F2	vdda33	PWP_VD_ ANA_3V	P	USB 3.3V analog power supply for common block
F1	vssa33	PWP_VS_ ANA_3V	P	USB 3.3V analog ground supply for common block

Ball Nr. BGA144	Ball Name	PAD Type	I/O	Ball Description
D1	usb_dp	USB_ESD_5VT	A	USB D+ signal from USB cable
E1	usb_dm	USB_ESD_5VT	A	USB D- signal from USB cable
G2	usb_rext	ANA_BI_RXT_3V	A	USB external resistor connect analog signal to the external resistor for setting the bias current of the USB 2.0 OTG PHY, voltage level is 1.1-1.3V
H3	VBUS usb_vbus	USB20_VBUS_5V T_OTG	AO AIO	USB 5V supply generated by the PMU subsystem, VBUS and usb_vbus are connected on the BGA USB mini receptacle Vbus
Supply Balls				
A7	vdd_peri	P	P	3.3V peripheral power supply
A8	vss_peri	P	P	3.3V peripheral ground supply
H2	vdd_core	P	P	1.2V core power supply Note: This PIN has to be connected to CVDD!
G1	vss_core	P	P	1.2V core ground supply
AFE Balls				
K1	DVDD	P	P	audio/PMU subsystem digital power supply to be connected to QLDO2 (2.9V)
J6	PwrUP	DI PD	I	power Up input
J4	P_PVDD	AI	I	5 State program input of PVDD regulator
M1	XIN_24M	AIO	IO	oscillator input 12-24MHz
L1	XOUT_24M	AIO	IO	oscillator output 12-24MHz
M6	LIN2R	AI	I	line input 2 right channel
L6	LIN2L	AI	I	line input 2 left channel
M7	LIN1R	AI	I	line input 1 right channel
L7	LIN1L	AI	I	line input 1 left channel
K5	MSUP2	P	P	microphone supply 2 (2.95V) / remote input 2
L5	MIC2_N	AI	I	microphone input 2N
M5	MIC2_P	AI	I	microphone input 2P
M4	MIC1_P	AI	I	microphone input 1P
L4	MIC1_N	AI	I	microphone input 1N
K4	MSUP1	P	P	microphone supply 1 (2.95V) / remote input 1
M8	LOUTR	AO	O	line output right channel / ear piece differential output N
L8	LOUTL	AO	O	line output left channel / ear piece differential output P
L2	AVDD	P	P	audio/PMU subsystem analog power supply
M3	AGND	AIO	IO	analog reference (AVDD/2) decoupling cap terminal (10uF)
L3	VREF	AIO	IO	analog reference (filtered AVDD) decoupling cap terminal (10uF)
M2	AVSS	P	P	audio/PMU subsystem digital power supply
K7	HPGND	AIO	IO	headphone amplifier reference decoupling cap terminal (100nF)
M9	HPCM	AO	O	headphone common GND output for DC-coupled speakers
L10	HPR	AO	O	headphone output right channel
K9	BVSS2	P	P	headphone amplifier ground supply
L11	HPL	AO	O	headphone output left channel
K8	BGND	P	P	speaker amplifier reference decoupling cap terminal (100nF)
K11	BVDD	P	P	audio/PMU subsystem power supply (max. 5.5V)
M10	LSPR	AO	O	speaker output right channel
L9	BVSS	P	P	speaker amplifier ground supply
M11	LSPL	AO	O	speaker output left channel
K12	BVDD	P	P	audio/PMU subsystem power supply (max. 5.5V)

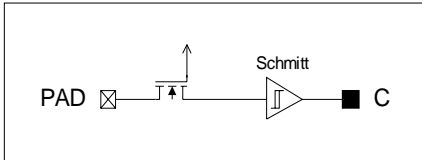
Ball Nr. BGA144	Ball Name	PAD Type	I/O	Ball Description
M12	UVDD	AO	O	LDO6 Regulator Output fixed to 3.262V to be used for USB transceiver supply
J11	PVDD	AO	O	LDO3 Regulator Output programmed to 1.7 - 3.33V
L12	IOVDD	AO	O	LDO4 Regulator Output fixed to 3.109V
J12	CVDD	AO	O	charge pump output for digital core supply, programmed to 1.05 - 1.2V Note: This PIN has to be connected to vdd_core!
K10	VBAT_1V	P	P	battery supply input for single cell application
H11	CP_1V	AIO	IO	CVDD charge pump flying cap
H12	CN_1V	AIO	IO	CVDD charge pump flying cap
J10	VSS_1V	P	P	CVDD charge pump ground supply
H9	QLDO2	AO	O	LDO2 regulator output fixed 2.9V to be connected to DVDD
G10	CP_5V	AIO	IO	VBUS charge pump flying cap
G11	CN_5V	AIO	IO	VBUS charge pump flying cap
H10	VSS_3V	P	P	DCDC3V ground supply
G12	SW_3V	AO	O	DCDC3V switch terminal
F12	SW_15V	AO	O	DCDC15V switch terminal
J9	VSS_15V	P	P	DCDC15V ground supply
F11	ISINK	AO	O	DCDC15V load current sink terminal
G9	CHG_IN	AI	I	charger input
E12	CHG_OUT	AO	O	charger output programmable current (50-400mA) and voltage (3.9-4.25V)
K6	BATTEMP	AIO	IO	charger battery temperature sensor input (RNTC 100k)
J1	XOUT_32k	AIO	IO	32kHz RTC oscillator crystal terminal
H1	XIN_32k	AIO	IO	32kHz RTC oscillator crystal terminal
J2	RVDD	AO	O	RTC supply regulator output supplied via BVDD, programmed to 1.0-2.5V

8.4 Pad Cell Description

8.4.1 Digital Pads

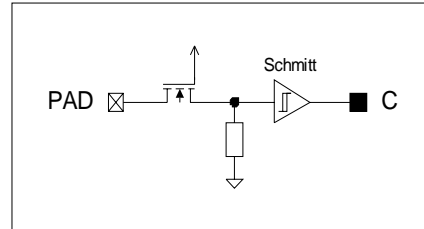
8.4.1.1 D IN ST

Figure 65 Digital Input with Schmitt Trigger



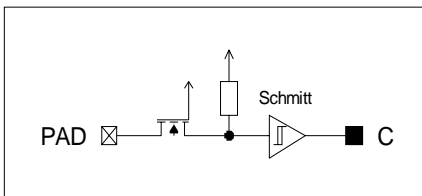
8.4.1.2 D IN PD ST

Figure 66 Digital Input with Schmitt Trigger and Pull-Down



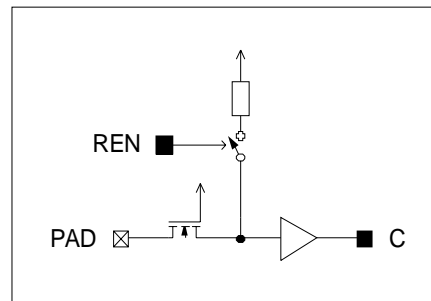
8.4.1.3 D IN PU ST

Figure 67 Digital Input with Schmitt Trigger and Pull-Up



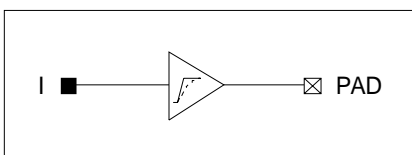
8.4.1.4 D IN (PU)

Figure 68 Digital Input with enable controlled Pull-Up



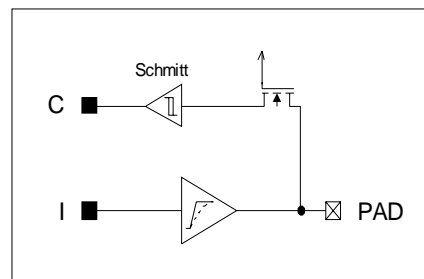
8.4.1.5 D OUT LSR

Figure 69 Digital Output with Limited Slew Rate



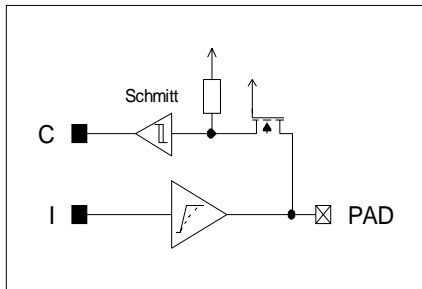
8.4.1.6 D IO ST LSR

Figure 70 Digital Schmitt Trigger Input and Limited Slew Rate Output



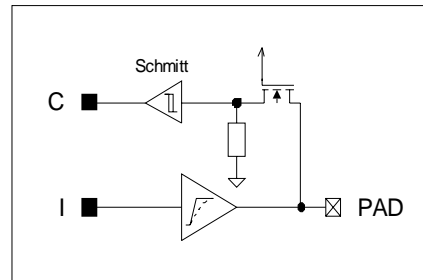
8.4.1.7 D IO ST PU LSR

Figure 71 Digital Schmitt Trigger Input with Pull-Up and Limited Slew Rate Output



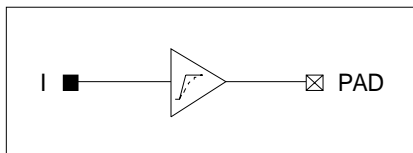
8.4.1.8 D IO ST PD LSR

Figure 72 Digital Schmitt Trigger Input with Pull-Down and Limited Slew Rate Output



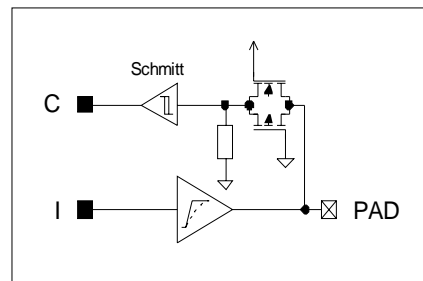
8.4.1.9 D OUT LSR LV

Figure 73 Digital Output with Limited Slew Rate (low voltage)



8.4.1.10 D IO ST PD LSR LV

Figure 74 Digital Schmitt Trigger Input with Pull-Down and Limited Slew Rate Output (low voltage)



9 Appendix

9.1 Memory MAP

ARM922T provides 32-bit address to access the peripherals and memory. With this 32-bit address ARM922T can access up to 4 Giga Bytes of memory. Cocoa does not use the complete 4 GB address space.

Address 0x0000_0000 is mapped to internal ROM or External Memory interface based on the boot ROM selection by the external input pin (Port C, xpc[0] = intBootSel) Pin intBootSel=1 at startup selects the internal ROM, intBootSel = 0 selects the external memory.

The address range starting at 0x0000_0000 is also mapped to internal RAM upon setting of the remap bit. This remap allows the user to select either RAM or ROM at 0x0000_0000.

Table 163 Address Map

S.No	Start (Base) Address	End Address	Actual Block Size	Peripheral	Comment
				AHB Blocks	
	0x0000_0000	0x0001_FFFF	128 KByte	Internal ROM	Remap = 0 and IntBootSel = 1
	0x0000_0000	0x003F_FFFF	4 MB	External Memory IF (MPMC Bank1 – Ext Flash or Ext ROM)	Remap = 0 and IntBootSel = 0
	0x0000_0000	0x0004_FFFF	320 KByte	Embedded 1T-RAM	Remap = 1
	0x0100_0000	0x0FFF_FFFF		Reserved	
	0x1000_0000	0x103F_FFFF	4 MB	External Memory IF (MPMC Bank1 – Ext Flash or Ext ROM)	Aliased

S.No	Start (Base) Address	End Address	Actual Block Size	Peripheral	Comment
	0x1100_0000	0x1FFF_FFFF		Reserved	
	0x2000_0000	0x203F_FFFF	4 MB	External Memory IF (MPMC Bank2 – External LCD Controller)	
	0x2100_0000	0x2FFF_FFFF		Reserved	
	0x3000_0000	0x3FFF_FFFF	256 MB	External Memory IF (MPMC Bank 4 – SDRAM)	
	0x4000_0000	0x4FFF_FFFF	256 MB	External Memory If (MPMC Bank5 – SDRAM)	
	0x5000_0000	0x7FFF_FFFF		Reserved	
	0x8000_0000	0x8001_FFFF	128 KByte	Internal ROM	Aliased
	0x8002_0000	0x80FF_FFFF		Reserved	
	0x8100_0000	0x8104_FFFF	320 KByte	Embedded 1T-RAM	Aliased
	0x8105_0000	0xBFFF_FFFF		Reserved	
	0xC000_0000	0xC001_FFFF	128 KByte	Internal ROM	Aliased
	0xC002_0000	0xC0FF_FFFF		Reserved	
	0xC100_0000	0xC104_FFFF	320 KByte	Embedded 1T-RAM	Aliased
	0xC105_0000	0xC5FF_FFFF		Reserved	
	0xC600_0000	0xC600_FFFF	Few	USB2.0 Slave	
	0xC601_0000	0xC601_FFFF	Few	VIC	
	0xC602_0000	0xC602_FFFF	Few	DMAC Slave	
	0xC603_0000	0xC603_FFFF	Few	ExtMemIFSlave	
	0xC604_0000	0xC604_FFFF	Few	MemoryStick Slave	
	0xC605_0000	0xC605_FFFF	Few	CompactFlash/IDE Slave	
	0xC606_0000	0xC606_FFFF	4 KByte	ARM922T Slave	
	0xC607_0000	0xC7FF_FFFF		Reserved	
				APB blocks	
	0xC800_0000	0xC800_FFFF	Few	Nand Flash / Smart Media Interface	
	0xC801_0000	0xC801_FFFF	Few	BistManager	
	0xC802_0000	0xC802_FFFF	Few	SD-MCI	
	0xC803_0000	0xC803_FFFF	Few	Reserved	
	0xC804_0000	0xC804_FFFF	Few	Timer	
	0xC805_0000	0xC805_FFFF	Few	Watchdog Timer	
	0xC806_0000	0xC806_FFFF	Few	I2C Master/Slave	
	0xC807_0000	0xC807_FFFF	Few	I2C Audio Master	
	0xC808_0000	0xC808_FFFF	Few	SSP	
	0xC809_0000	0xC809_FFFF	Few	I2S IN Interface	
	0xC80A_0000	0xC80A_FFFF	Few	I2S OUT Interface	
	0xC80B_0000	0xC80B_FFFF	Few	GPIO A	
	0xC80C_0000	0xC80C_FFFF	Few	GPIO B	
	0xC80D_0000	0xC80D_FFFF	Few	GPIO C	
	0xC80E_0000	0xC80E_FFFF	Few	GPIO D	
	0xC80F_0000	0xC80F_FFFF	Few	Clock Generation Unit	
	0xC810_0000	0xC810_FFFF	Few	Chip Control Unit	
	0xC811_0000	0xC811_FFFF	Few	Debug UART	
	0xC812_0000	0xC812_FFFF		DBOP	
	0xC813_0000	0xC813_FFFF		reserved	

9.2 Register definitions

This section gives a short overview of all module registers.

9.2.1 Base Address definitions

Each module register block starts at a specific base address.

Table 164 Base Addresses

REGISTER Name	Register Address
AS3525_RAM_BASE	0x00000000
AS3525_USB_BASE	0xC6000000
AS3525_VIC_BASE	0xC6010000
AS3525_DMACE_BASE	0xC6020000
AS3525_EXTMEM_ITF_BASE	0xC6030000
AS3525_MEMSTICK_BASE	0xC6040000
AS3525_CF_IDE_BASE	0xC6050000
AS3525_NAND_FLASH_BASE	0xC8000000
AS3525_BIST_MANAGER_BASE	0xC8010000
AS3525_SD_MCI_BASE	0xC8020000
AS3525_TIMER_BASE	0xC8040000
AS3525_WDT_BASE	0xC8050000
AS3525_I2C_MS_BASE	0xC8060000
AS3525_I2C_AUDIO_BASE	0xC8070000
AS3525_SSP_BASE	0xC8080000
AS3525_I2SIN_BASE	0xC8090000
AS3525_I2SOUT_BASE	0xC80A0000
AS3525_GPIO1_BASE	0xC80B0000
AS3525_GPIO2_BASE	0xC80C0000
AS3525_GPIO3_BASE	0xC80D0000
AS3525_GPIO4_BASE	0xC80E0000
AS3525_CGU_BASE	0xC80F0000
AS3525_CCU_BASE	0xC8100000
AS3525_UART_BASE	0xC8110000
AS3525_DBOP_BASE	0xC8120000

10 Ordering Information

Table 165 ordering information

Number	Package Type	Delivery Form	Description
AS3525A C21O20 TRA	CTBGA 224	Tray	<u>don't use for new design starts</u>
AS3525A C21O20T&R	CTBGA 224	Tape and Reel	<u>don't use for new design starts</u>
AS3525B C21O20TRA	CTBGA 144	Tray	<u>don't use for new design starts</u>
AS3525B C21O20T&R	CTBGA 144	Tape and Reel	<u>don't use for new design starts</u>
AS3525A C22O22 TRA	CTBGA 224	Tray	
AS3525A C22O22T&R	CTBGA 224	Tape and Reel	
AS3525B C22O22TRA	CTBGA 144	Tray	
AS3525B C22O22T&R	CTBGA 144	Tape and Reel	

AS3525P V D

Where

V = **Version**P = **Package Type:**

A: CTBGA 224, Thin ChipArray Ball Grid Array, 13x13mm package size, 0.8mm ball pitch

B: CTBGA 144, Thin ChipArray Ball Grid Array, 10x10mm package size, 0.8mm ball pitch

D = **Delivery Form:**

TRA = Tray

T&R = Tape and Reel

All package variants are Pb-free/ RoHS package types.

11 Copyright

Copyright © 2005-2007, austriamicrosystems AG, Schloss Premstaetten, 8141 Unterpremstaetten, Austria-Europe. Trademarks Registered ®. All rights reserved. The material herein may not be reproduced, adapted, merged, translated, stored, or used without the prior written consent of the copyright owner.

All products and companies mentioned are trademarks of their respective companies.

12 Disclaimer

Devices sold by austriamicrosystems AG are covered by the warranty and patent identification provisions appearing in its Term of Sale. austriamicrosystems AG makes no warranty, express, statutory, implied, or by description regarding the information set forth herein or regarding the freedom of the described devices from patent infringement. austriamicrosystems AG reserves the right to change specifications and prices at any time and without notice. Therefore, prior to designing this product into a system, it is necessary to check with austriamicrosystems AG for current information. This product is intended for use in normal commercial applications. Applications requiring extended temperature range, unusual environmental requirements, or high reliability applications, such as military, medical life-support or life-sustaining equipment are specifically not recommended without additional processing by austriamicrosystems AG for each application.

The information furnished here by austriamicrosystems AG is believed to be correct and accurate. However, austriamicrosystems AG shall not be liable to recipient or any third party for any damages, including but not limited to personal injury, property damage, loss of profits, loss of use, interruption of business or indirect, special, incidental or consequential damages, of any kind, in connection with or arising out of the furnishing, performance or use of the technical data herein. No obligation or liability to recipient or any third party shall arise or flow out of austriamicrosystems AG rendering of technical or other services.

13 Contact Information

austriamicrosystems AG
Business Unit Communications
A 8141 Schloss Premstätten, Austria
T. +43 (0) 3136 500 0
F. +43 (0) 3136 5692
info@austriamicrosystems.com

For Sales Offices, Distributors and Representatives, please visit:

<http://www.austriamicrosystems.com>

